

S4S GUARDIAN® PLUS Addressable 1-64 Channel Gas Alarm System

System Features:

- 1 to 64 addressable sensors
- Network up to 16 controllers enabling up to 1024 addressable sensors
- Single 4 core sensor network (addressable)
- Parameter set up via pc or front panel
- 3 alarm levels with time to alarm option
- Automatic safety check diagnostics/system surveillance



S4S Guardian® Plus Addressable has been designed to operate in the full range of environments from commercial premises through to heavy industrial applications which may require hazardous area sensing. Typical monitor locations are - public buildings, car parks, tunnels, breweries, boiler plant rooms, water treatment works, H&V control, manufacturing, process plants, horticulture, hotels, offices.

Operation

Each gas sensor continuously monitors the atmosphere reporting any hazardous conditions to the control unit for display by the alpha numeric screen indicating the reporting sensor, gas type, concentration and alarm status. Alarm levels that are exceeded will automatically activate a variety of signal outputs including analogue/digital data and user selectable relays.

S4S Guardian® Plus Addressable system operates on a 4-core (addressable) cable network and has the capacity to monitor up to 64 addressable sensors. Larger systems offering up to 1024 sensors can be achieved using multiple S4S Guardian® Plus units housed in a 19" rack based system or a network controller supervising up to 16 S4S Guardian® Plus units.

S4S Guardian® Plus Addressable is supplied ready to use with pre-calibrated gas sensors and provides for additional sensors that can be easily added to any point of the network.

Sensor points

1-64 addressable – CANbus

Measurements

Combustible Gas - L.E.L., % vol

Toxic Gas - ppm, % vol

Oxygen - % vol - Depletion/Enrichment

Refrigerant - ppm

Any 4~20mA transmitter

Indicators - control unit concentration

Dot matrix LCD 4 line 40 character - indicating sensor location, gas type, (rising or falling alarms), alarm status, system fault, sensor line fault, sensor fault, inhibit, real time clock, event memory. Red LED - global alarm, Amber LED - global fault, Amber LED-inhibit

Outputs

8 user selectable zone/voting – with NE/ND option and delay to de-energise

Relay contacts - 2 D.P.C.O / 6 S.P.C.O. rated @ 5A-230v AC

Factory set 1 common low alarm D.P.C.O or group 1

1 common high alarm D.P.C.O or group 2

1 common overrange S.P.C.O or group 3

1 common fault alarm S.P.C.O or group 4

4 user selectable S.P.C.O groups 5 to 8

General alarm relay - resetable S.P.C.O. for sounders etc.

RS232 data log - event log

Modbus - RS485 x2

Individual sensor logging - intervals 1-60 mins storage readings 2880

NOTE: This datasheet is non-contractual

www.sensorsforsafety.co.uk

E: sales@sensorsforsafety.co.uk T: 01423 206360 F: 01423 206370

Sensors for Safety Ltd | Knaresborough Tech Park | Manse Lane | Knaresborough | N.Yorks | HG5 8LF | UK

Audible alarm

Alarm/Fault - permanent mute option
68dBs @ 1m

Power

230/115v AC or 24v DC ±15%
Control unit 7.5w quiescent 17w full alarm
Sensor - 1.25w
Internal power supply: 35 sensors max. 36+ sensors - 11A/24vDC Auxiliary Power Pack required C1541/C1293

Sensor Cable - Addressable

Main network - 4 core (2 power - 2 comms)
- Addressable (1.5mm screened max length 1km)

Optional signal booster per additional 1km

Miscellaneous

Enclosure cable entry - bottom, rear, top
Remote reset/mute

Options

Canbus repeater panel with selectable channel readout - (S4S Guardian® - Lite)
Status Indicator Panel
Sonos Sounder / Beacon
Sensor signal booster 1K+
Password protection - user mode/engineers mode LCD and LED dimming

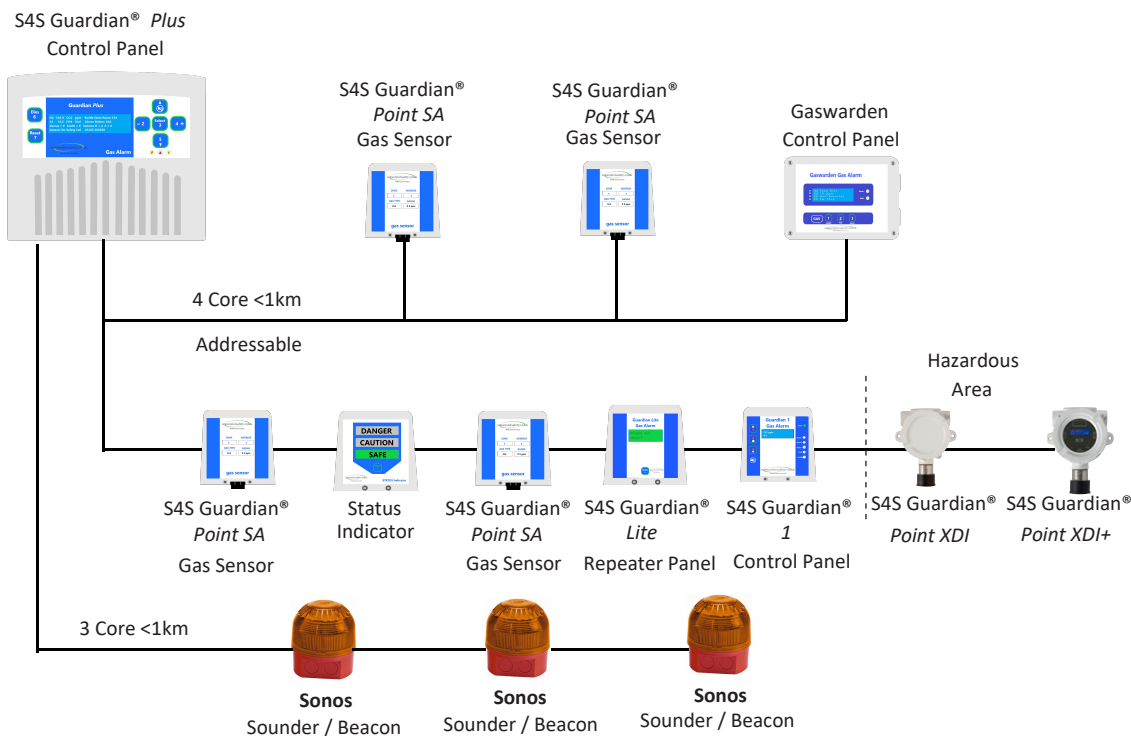
Environmental

Control unit - IP52 - wall mount Optional overhousing - IP65

Operating temperature: -10 to +50C

Dimensions

315W x 265H x 95D - S4S Guardian® Plus panel
315W x 265H x 95D - Auxiliary power pack



NOTE: This datasheet is non-contractual

www.sensorsforsafety.co.uk

E: sales@sensorsforsafety.co.uk T: 01423 206360 F: 01423 206370

Sensors for Safety Ltd | Knaresborough Tech Park | Manse Lane | Knaresborough | N.Yorks | HG5 8LF | UK