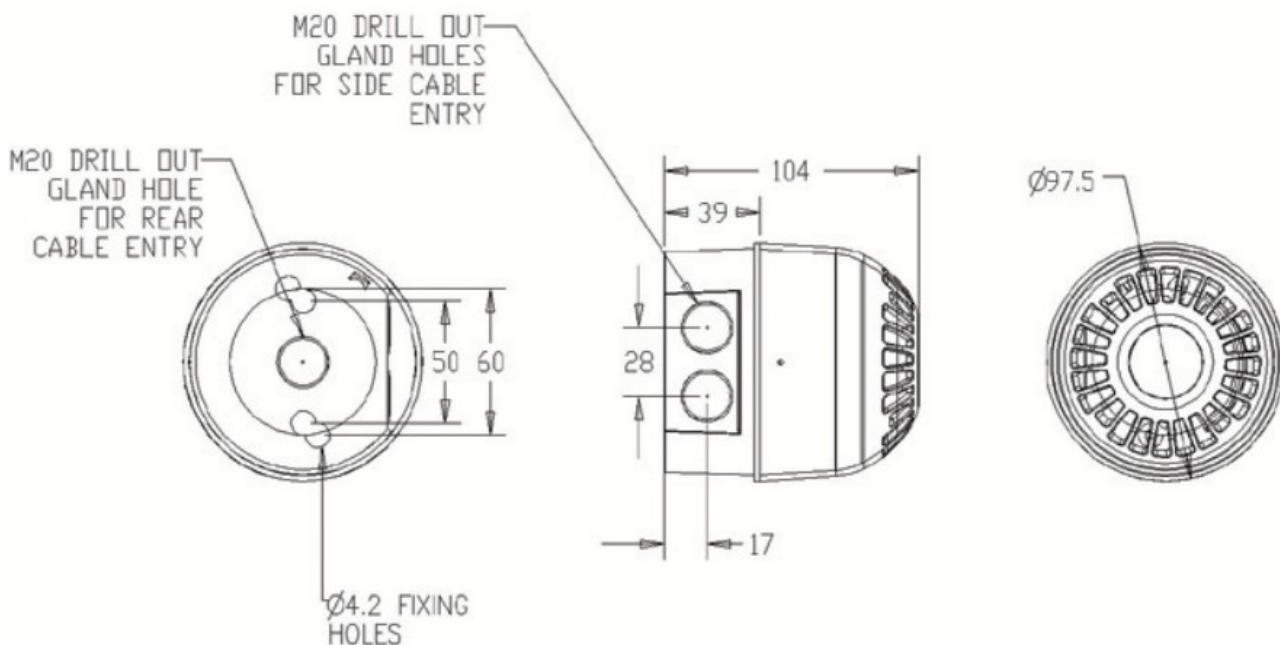


# S4S SOUNDER/BEACON

*Sounder/Beacon (or Beacon only) 24VDC*

## Features:

- Sound Output: 106dB (A) (DC)
- Light Output: High efficiency LED
- 32 Tone
- IP Rating: 65 (deep base)
- Available LED Colours: Amber, Red
- Available Voltage: 24 VDC (17-60)
- Current: 9-50mA
- Available as Beacon only
- Volume Control: 8dB
- Operating Temp: -25°C to +70°C
- Cable Entry: 2 x 20mm glands
- Weight: 220g



## **Approvals:**

**(specify required approval when ordering)**

EN54-3 compliant.

EMC certified.

CPD certified.

LPBC certified.

VdS certified.

NF certified.

NOTE: This datasheet is non-contractual

[www.sensorsforsafety.co.uk](http://www.sensorsforsafety.co.uk)

E: [sales@sensorsforsafety.co.uk](mailto:sales@sensorsforsafety.co.uk) T: 01423 206360 F: 01423 206370

Sensors for Safety Ltd | Knaresborough Tech Park | Manse Lane | Knaresborough | N.Yorks | HG5 8LF | UK