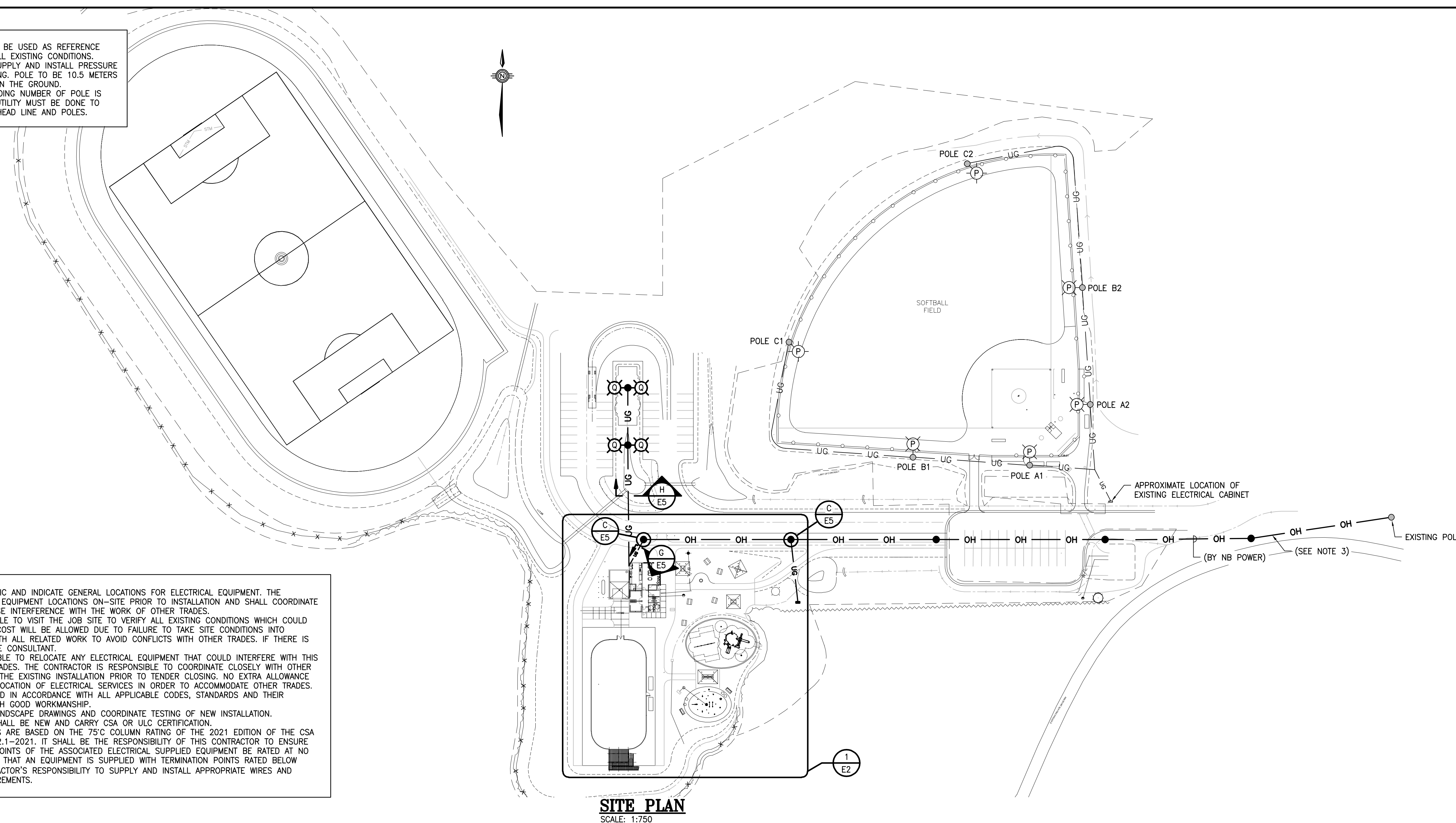


- NOTES:**
- CONDUIT PATH IS DIAGRAMMATIC, TO BE USED AS REFERENCE ONLY. CONTRACTOR TO CONSIDER ALL EXISTING CONDITIONS.
 - CONTRACTOR IS RESPONSIBLE TO SUPPLY AND INSTALL PRESSURE TREATED POLE FOR PARKING LIGHTING. POLE TO BE 10.5 METERS LONG WITH 3.5 METERS INSTALLED IN THE GROUND.
 - LOCATION OF OVERHEAD LINE INCLUDING NUMBER OF POLE IS APPROXIMATE. COORDINATION WITH UTILITY MUST BE DONE TO CONFIRM EXACT LOCATION OF OVERHEAD LINE AND POLES.



- GENERAL NOTES:**
- THE DRAWINGS ARE DIAGRAMMATIC AND INDICATE GENERAL LOCATIONS FOR ELECTRICAL EQUIPMENT. THE CONTRACTOR SHALL VERIFY ALL EQUIPMENT LOCATIONS ON-SITE PRIOR TO INSTALLATION AND SHALL COORDINATE LOCATIONS SO AS NOT TO CAUSE INTERFERENCE WITH THE WORK OF OTHER TRADES.
 - THE CONTRACTOR IS RESPONSIBLE TO VISIT THE JOB SITE TO VERIFY ALL EXISTING CONDITIONS WHICH COULD AFFECT THE WORK. NO EXTRA COST WILL BE ALLOWED DUE TO FAILURE TO TAKE SITE CONDITIONS INTO CONSIDERATION. BE FAMILIAR WITH ALL RELATED WORK TO AVOID CONFLICTS WITH OTHER TRADES. IF THERE IS ANY CONFLICTS, REPORT TO THE CONSULTANT.
 - THIS CONTRACTOR IS RESPONSIBLE TO RELOCATE ANY ELECTRICAL EQUIPMENT THAT COULD INTERFERE WITH THIS WORK AND WORK OF OTHER TRADES. THE CONTRACTOR IS RESPONSIBLE TO COORDINATE CLOSELY WITH OTHER TRADES AND BE FAMILIAR WITH THE EXISTING INSTALLATION PRIOR TO TENDER CLOSING. NO EXTRA ALLOWANCE WILL BE ALLOWED FOR THE RELOCATION OF ELECTRICAL SERVICES IN ORDER TO ACCOMMODATE OTHER TRADES.
 - ALL WORK SHALL BE PERFORMED IN ACCORDANCE WITH ALL APPLICABLE CODES, STANDARDS AND THEIR AMENDMENTS, IN A MANNER WITH GOOD WORKMANSHIP.
 - REVIEW MECHANICAL, CIVIL & LANDSCAPE DRAWINGS AND COORDINATE TESTING OF NEW INSTALLATION.
 - ALL NEW MATERIAL SUPPLIED SHALL BE NEW AND CARRY CSA OR UL/C CERTIFICATION.
 - ALL WIRES AND CONDUITS SIZES ARE BASED ON THE 75°C COLUMN RATING OF THE 2021 EDITION OF THE CANADIAN ELECTRICAL CODE C22.1-2021. IT SHALL BE THE RESPONSIBILITY OF THIS CONTRACTOR TO ENSURE THAT ALL CABLE TERMINATION POINTS OF THE ASSOCIATED ELECTRICAL SUPPLIED EQUIPMENT BE RATED AT NO LESS THAN 75°C. IN THE EVENT THAT AN EQUIPMENT IS SUPPLIED WITH TERMINATION POINTS RATED BELOW 75°C, IT SHALL BE THIS CONTRACTOR'S RESPONSIBILITY TO SUPPLY AND INSTALL APPROPRIATE WIRES AND CONDUITS AS PER CODE REQUIREMENTS.

SITE PLAN
SCALE: 1:750

ELECTRICAL LEGEND

SYMBOL	DESCRIPTION	SYMBOL	DESCRIPTION	SYMBOL	DESCRIPTION	SYMBOL	DESCRIPTION
	GROUND WIRING		DIMMER SWITCH TIMER CLOCK SUCH AS INTERMATIC ET2725CP		DATA OUTLET CAT.6 50x100x100mm BOX C/W PLASTER RING, 27mm CONDUIT UP TO ACCESSIBLE CEILING SPACE, NYLON BUSHING AT END, CAT.6 TO COMMUNICATION RACK # - INDICATES NUMBER OF DROPS		MOTORIZED DAMPER (BY DIV.23, 120V WIRING BY DIV.26) # - INDICATES MECHANICAL EQUIPMENT NUMBER
	OVERHEAD WIRING (BY UTILITY)		CEILING MOUNTED OCCUPANCY SENSOR)) - INDICATES ORIENTATION OF DETECTION		AUDIO SPEAKER SUCH AS TOA #F-1300BTWP C/W MOUNTING HARDWARE		ELECTRICAL THERMOSTAT MECHANICAL LINE VOLTAGE RA - HONEYWELL T651A OR APPROVED EQUAL TP - TAMPER PROOF COVER
	UNDERGROUND WIRING		POLE MOUNTED LUMINAIRE WITH ARM P - BASEBALL FIELD LIGHTING		DOOR OPERATOR PUSHBUTTON (BY DIV.8, WIRED BY DIV.26)		LOW VOLTAGE THERMOSTAT (BY DIV.23)
	CONDUIT TURNING UP		Q - PARKING LIGHTS (LUMINAIRE AND MOUNTING ARM SUPPLIED BY OTHERS) ALL OTHER MATERIAL (POLE, WIRING, MOUNTING HARDWARE, ETC...), SUPPLIED, INSTALLED AND WIRED BY THIS CONTRACTOR		DOOR KEYSWITCH (BY DIV.8, WIRED BY DIV.26)		F.A. SMOKE DETECTOR
	UTILITY POLE		20A/125V, 5-20R DUPLEX RECEPTACLE		INTRUSION ALARM MOTION DETECTOR		JUNCTION BOX
	TYPE "T" THERMIT GROUND WELD		QUAD RECEPTACLE OUTLET WITH COMMON COVER PLATE		CCTV CAMERA A - INTERIOR DOME CAMERA B - EXTERIOR CAMERA		INFRARED DOOR SENSOR (BY DIV.8, WIRED BY DIV.26)
	THERMIT GROUND WELD TO HORIZONTAL STEEL		15A/125V, 5-15R DUPLEX U-GROUND RECEPTACLE		SECURITY DOOR CONTACT (BY DIV.8, WIRED BY DIV.28)		SINGLE PHASE ELECTRIC MOTOR F - INDICATES FAN # - INDICATES HP
	THERMIT GROUND WELD TO 6x250x400mm GROUND PLATE		GFR - INDICATES GROUND FAULT CIRCUIT INTERRUPTER RECEPTACLE		INTRUSION ALARM KEYPAD		PUSH BUTTON STATION (BY DIV.8, WIRED BY DIV.26)
	CEILING MOUNTED LUMINAIRE/POT LIGHT A - INDICATES TYPE (SEE SCHEDULE)		O.C. - INDICATES 150mm OVER BACKSPASH		SECURITY PANEL		DISCONNECT SWITCH # - INDICATES DISCONNECT SIZE F - INDICATES FUSE SIZE W.P. - INDICATES NEMA 3R
	WALL MOUNTED LUMINAIRE/POT LIGHT		W.P. - INDICATES WEATHERPROOF COVER WHILE-IN-USE		ELECTRIC BASEBOARD HEATER A - INDICATES TYPE (SEE SCHEDULE)		POWER TRANSFORMER
	PENDANT OR STEM MOUNTED LUMINAIRE/POT LIGHT		HAND DRYER SURFACE MOUNTED SUCH AS DYSON AIRBLADE V		ELECTRIC UNIT HEATER A - INDICATES TYPE (SEE SCHEDULE)		UTILITY METER SOCKET
	LUMINAIRE ON EMERGENCY CIRCUIT NL - INDICATES UNSWITCHED NIGHT-LIGHT		LOCKABLE HP RATED TOGGLE DISCONNECT SWITCH		SURFACE MOUNTED ELECTRIC FORCED AIR HEATER A - INDICATES TYPE (SEE SCHEDULE)		FLOOR MOUNTED COMMUNICATION RACK C - INDICATES COMMUNICATION
	EMERGENCY BATTERY PACK DUAL HEAD LIGHTING UNIT A - INDICATES WALL MOUNTED SUCH AS READY LITE LDX-VQ SERIES OR APPROVED EQUAL B - INDICATES CEILING MOUNTED SUCH AS READY LITE LDX-T SERIES OR APPROVED EQUAL		WIRELESS DATA ACCESS POINT (DATA BY DIV.27, DEVICE BY OWNER)		RECESS MOUNTED ELECTRIC FORCED AIR HEATER A - INDICATES TYPE (SEE SCHEDULE)		TEL. BACKBOARD DEMARCATION POINT BIX PANEL
	EMERGENCY DUAL REMOTE HEAD LIGHTING UNIT VQ SERIES		CAT.6 TO COMMUNICATION RACK # - INDICATES NUMBER OF DROPS		ELECTRIC CEILING FORCED AIR HEATER A - INDICATES TYPE (SEE SCHEDULE)		SURFACE MOUNTED ELECTRICAL PANELBOARD
	EMERGENCY REMOTE HEAD LIGHTING UNIT VQ SERIES						
	SINGLE-POLE LIGHT SWITCH						
	A.T. - INDICATES ASTRONOMICAL TIMER SWITCH SUCH AS LEVITON VPT24-IPZ, OR APPROVED EQUAL						
	O.S. - INDICATES OCCUPANCY SENSOR SWITCH						

ARCHITECTS:
EVOQ
1435, RUE SAINT-ALEXANDRE, BUREAU 1000
MONTREAL (QUEBEC) H3A 2G4
T. 514-393-9490 F. 514-393-9498
info@evoqarchitecture.com

ENGINEERS:
ROY CONSULTANTS
13, rue Costigan Street
Edmundston (NB) E3V 1W7
T. / 506.7379730
ENGINEERING SERVICES D'INGÉNIERIE F. / 506.548.2207
#493-18-4A

CLIENT:
Red Island Contractors Inc.
305, Route 390, Tobique First Nation, NB, E7H 4P7

N°	DESCRIPTION	BY	DATE
1	ISSUED FOR CONSTRUCTION	L.N.	2022-09-23
0	ISSUED FOR TENDER	L.N.	2022-05-27
A	ISSUED FOR 50% REVIEW	J.O.	2021-06-18
N°	DESCRIPTION	BY	DATE
REVISION:			

- GENERAL NOTES:**
- THE GENERAL CONTRACTOR IS RESPONSIBLE FOR VERIFYING ALL DIMENSIONS ON SITE TO ENSURE CONFORMITY WITH THE DIMENSIONS GIVEN ON THE DRAWINGS.
 - THE GENERAL CONTRACTOR IS RESPONSIBLE TO IMMEDIATELY SUBMIT A REPORT TO THE ARCHITECT OR ENGINEER WITH ANY INACCURACIES.
 - THE GENERAL CONTRACTOR SHOULD NOT TAKE SCALED MEASUREMENTS OFF THE DRAWINGS.
 - ANY INDIVIDUAL OR FIRM THAT HAVE RECEIVED ELECTRONIC DOCUMENT USE THEM AT THEIR OWN RISK. ONLY ORIGINAL DRAWINGS, STAMPED BY THE ARCHITECT, CAN BE USED FOR CONSTRUCTION.

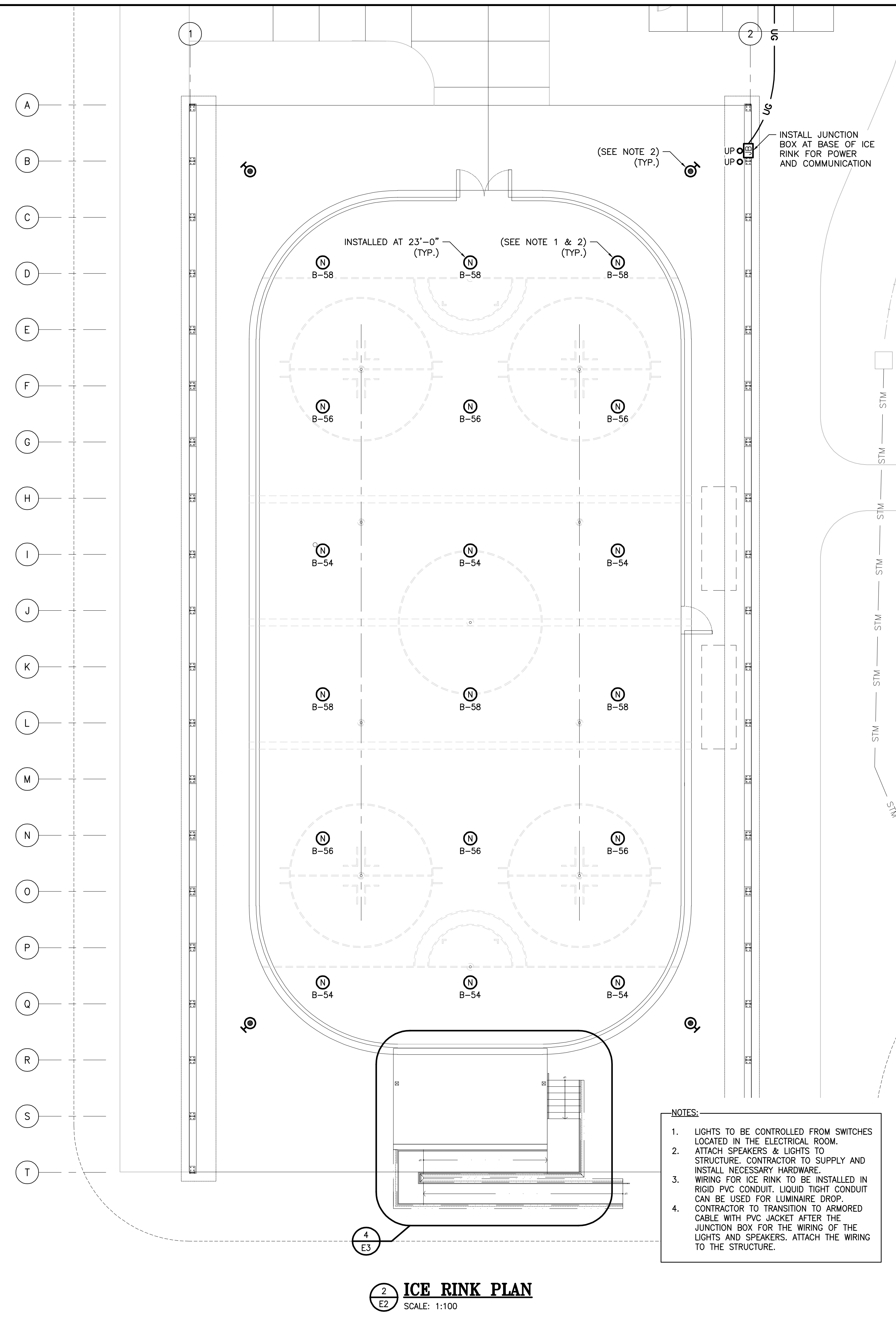
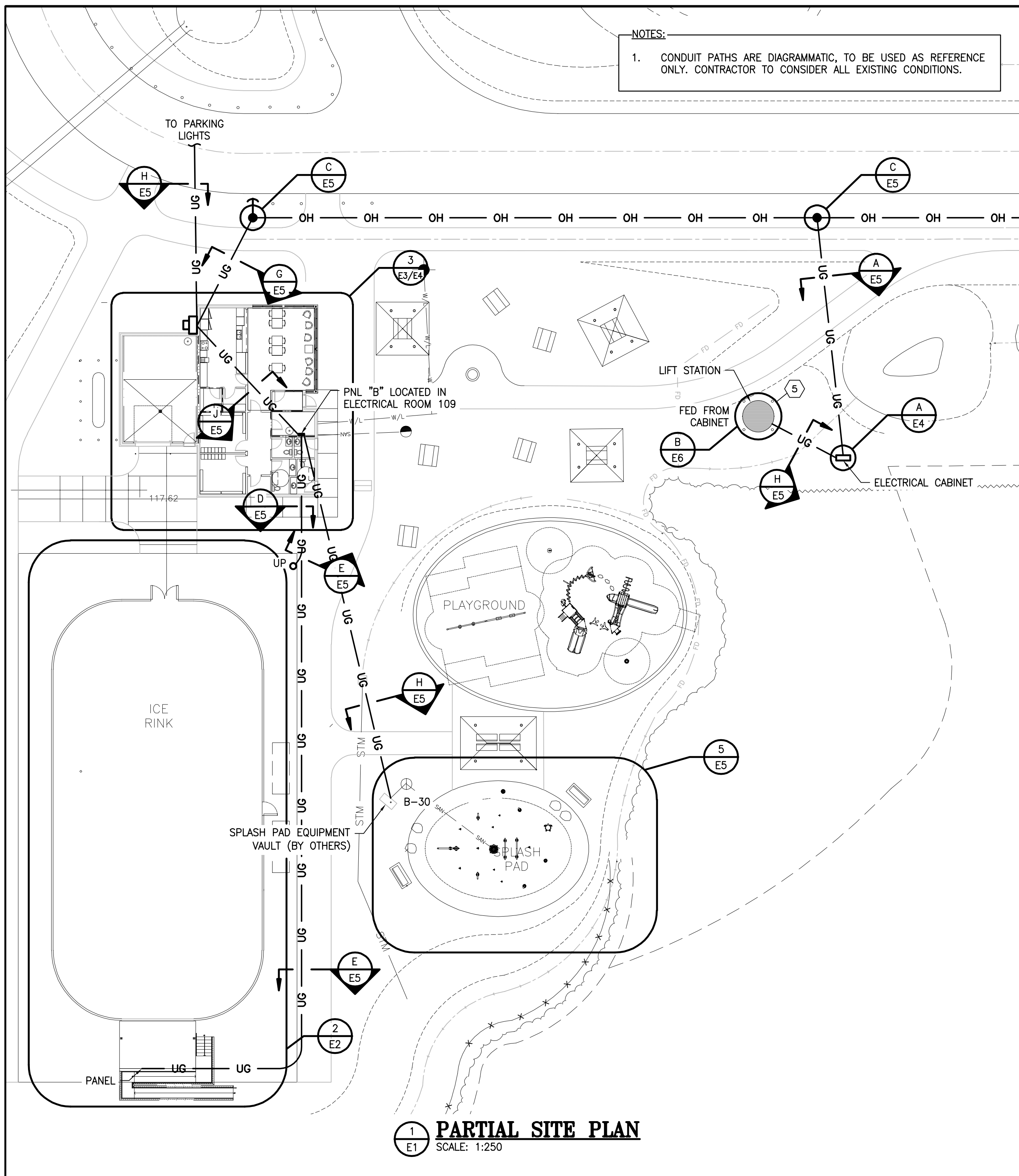
SEAL © 2016, EVOQ architecture inc.
Copyright of this document belongs to EVOQ architecture inc. This document may not be forwarded to others, transmitted, downloaded, reproduced nor adapted in any format, whether print or electronic, without the prior written authorization of EVOQ architecture inc. All ideas and other information in this document are specific to this project and may not be used elsewhere without the written authorization of EVOQ architecture inc.

PROJECT:
KCIW KNICANEWEK SPORTS AND RECREATION PARK - PHASE 2

DRAWING TITLE:
**-ELECTRICAL-
SITE PLAN &
LEGEND**

DESIGN: M. DOUCET APPROVED: M. DOUCET
DRAWN: L.N./J.O. DATE: 2021-05-01
VERIFIED: M. DOUCET SCALE: AS SHOWN

PROJECT N°: **9223-18-00** DRAWING N°: **E1**



N°	DESCRIPTION	BY	DATE
1	ISSUED FOR CONSTRUCTION	L.N.	2022-09-23
0	ISSUED FOR TENDER	L.N.	2022-05-27
A	ISSUED FOR 50% REVIEW	J.O.	2021-06-18

GENERAL NOTES:
1. THE GENERAL CONTRACTOR IS RESPONSIBLE FOR VERIFYING ALL DIMENSIONS ON SITE TO ENSURE CONFORMITY WITH THE DIMENSIONS GIVEN ON THE DRAWINGS.
2. THE GENERAL CONTRACTOR IS RESPONSIBLE TO IMMEDIATELY SUBMIT A REPORT TO THE ARCHITECT OR ENGINEER WITH ANY INACCURACIES.
3. THE GENERAL CONTRACTOR SHOULD NOT TAKE SCALED MEASUREMENTS OFF THE DRAWINGS.
4. ANY INDIVIDUAL OR FIRM THAT HAVE RECEIVED ELECTRONIC DOCUMENT USE THEM AT THEIR OWN RISK. ONLY ORIGINAL DRAWINGS, STAMPED BY THE ARCHITECT, CAN BE USED FOR CONSTRUCTION.

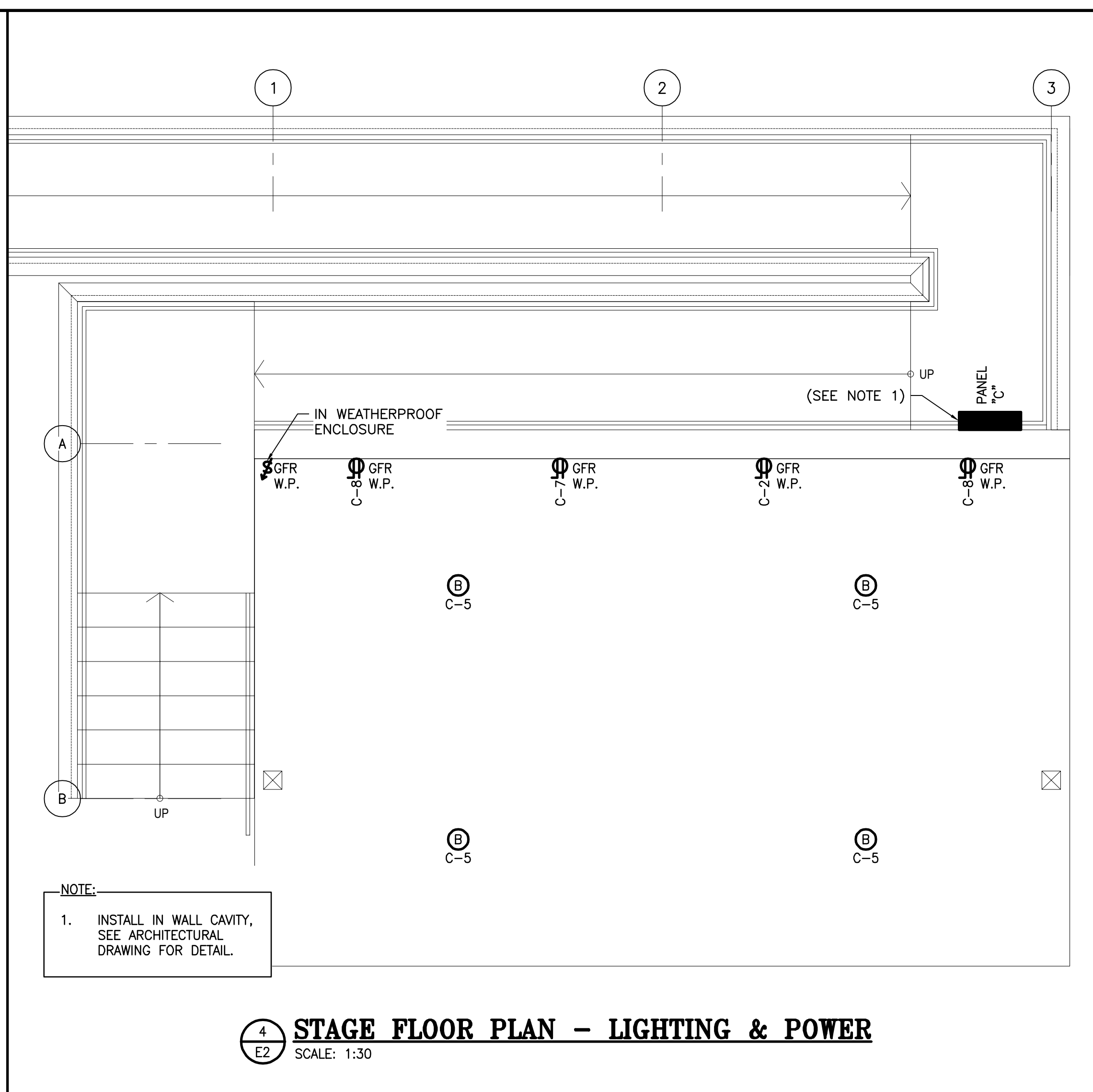
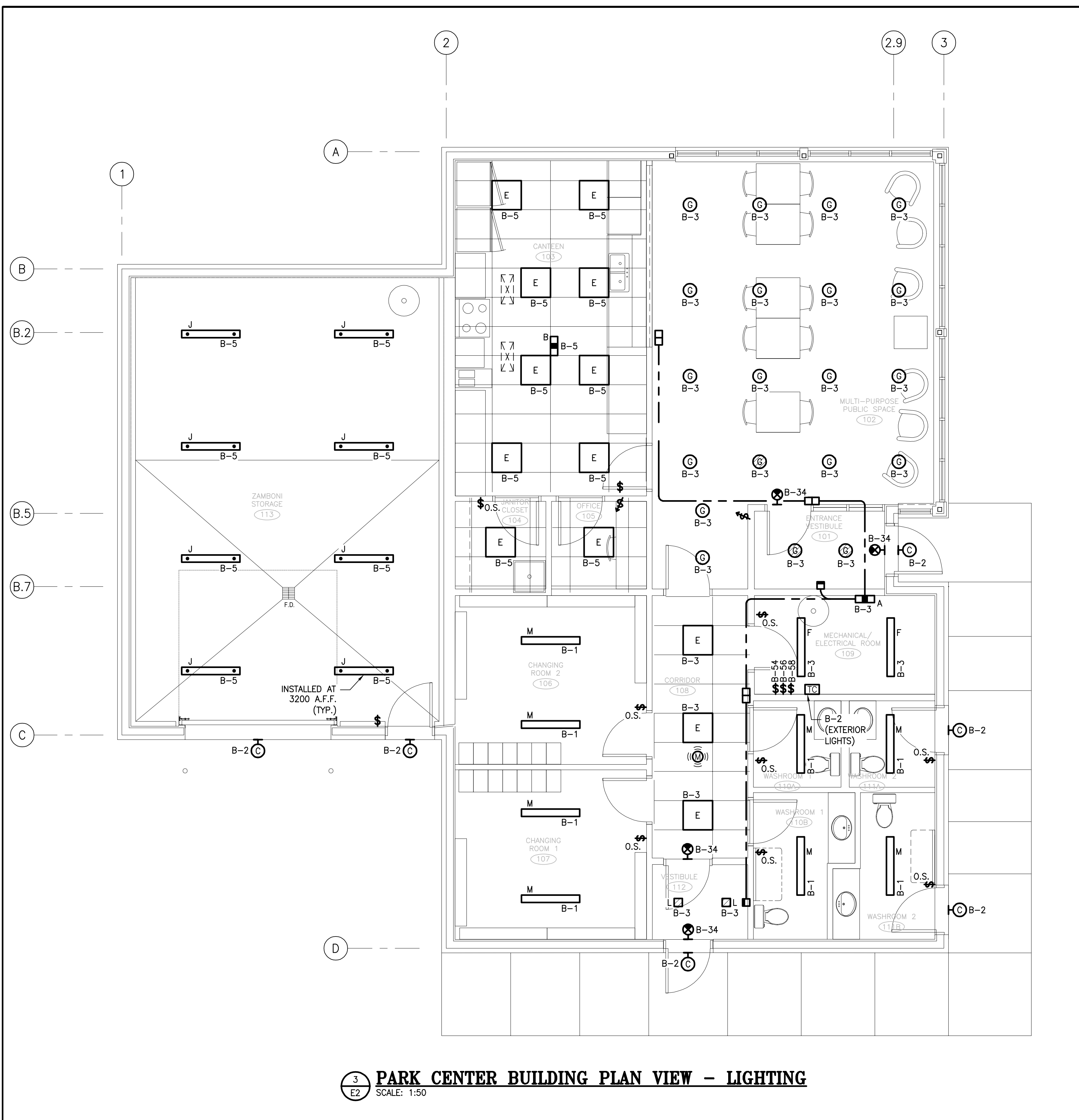
SEAL
© 2016, EVOQ architecture inc.
Copyright of this document belongs to EVOQ architecture inc. This document may not be forwarded to others, transmitted, downloaded, reproduced nor adapted in any format, whether print or electronic, without the prior written authorization of EVOQ architecture inc. All ideas and other information in this document are specific to this project and may not be used elsewhere without the written authorization of EVOQ architecture inc.

PROJECT:
KCIW KNICANEWEK SPORTS AND RECREATION PARK - PHASE 2

DRAWING TITLE:
**-ELECTRICAL-
PARTIAL SITE PLAN &
ICE RINK PLAN**

DESIGN: M. DOUCET APPROVED: M. DOUCET
DRAWN: L.N./J.O. DATE: 2021-05-01
VERIFIED: M. DOUCET SCALE: AS SHOWN

PROJECT N°: 9223-18-00 DRAWING N°: E2



N°	DESCRIPTION:	BY	DATE
1	ISSUED FOR CONSTRUCTION	L.N.	2022-09-23
0	ISSUED FOR TENDER	L.N.	2022-05-27
A	ISSUED FOR 50% REVIEW	J.O.	2021-06-18

GENERAL NOTES:

- THE GENERAL CONTRACTOR IS RESPONSIBLE FOR VERIFYING ALL DIMENSIONS ON SITE TO ENSURE CONFORMITY WITH THE DIMENSIONS GIVEN ON THE DRAWINGS.
- THE GENERAL CONTRACTOR IS RESPONSIBLE TO IMMEDIATELY SUBMIT A REPORT TO THE ARCHITECT OR ENGINEER WITH ANY INACCURACIES.
- THE GENERAL CONTRACTOR SHOULD NOT TAKE SCALED MEASUREMENTS OFF THE DRAWINGS.
- ANY INDIVIDUAL OR FIRM THAT HAVE RECEIVED ELECTRONIC DOCUMENT USE THEM AT THEIR OWN RISK. ONLY ORIGINAL DRAWINGS, STAMPED BY THE ARCHITECT, CAN BE USED FOR CONSTRUCTION.

SEAL

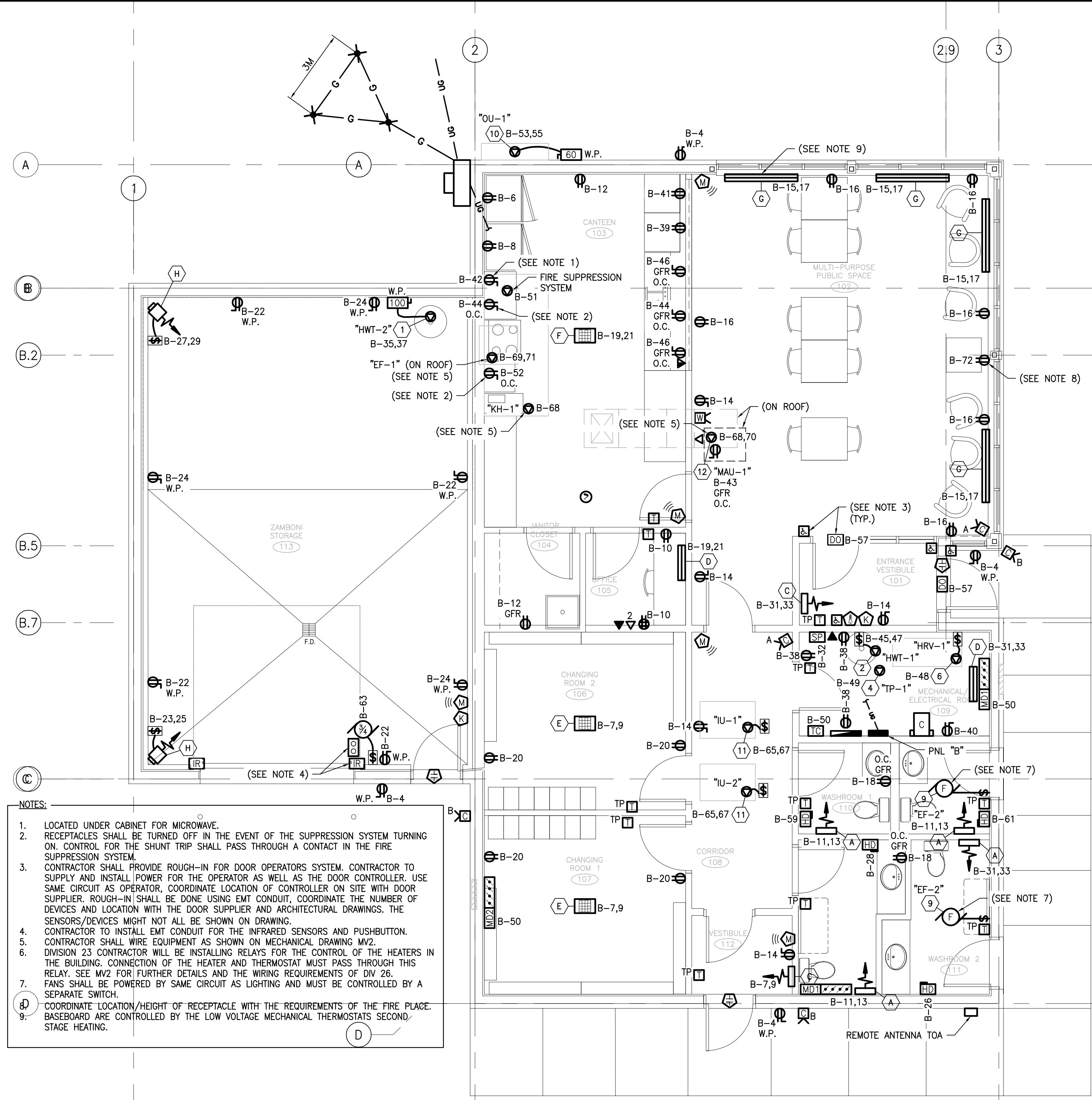
© 2016, EVOQ architecture inc.
Copyright of this document belongs to EVOQ architecture inc. This document may not be forwarded to others, transmitted, downloaded, reproduced nor adapted in any format, whether print or electronic, without the prior written authorization of EVOQ architecture inc. All ideas and other information in this document are specific to this project and may not be used elsewhere without the written authorization of EVOQ architecture inc.

PROJECT:
KCIW KNICANEWEK SPORTS AND RECREATION PARK - PHASE 2

DRAWING TITLE:
**-ELECTRICAL-
PLAN VIEWS
LIGHTING & POWER**

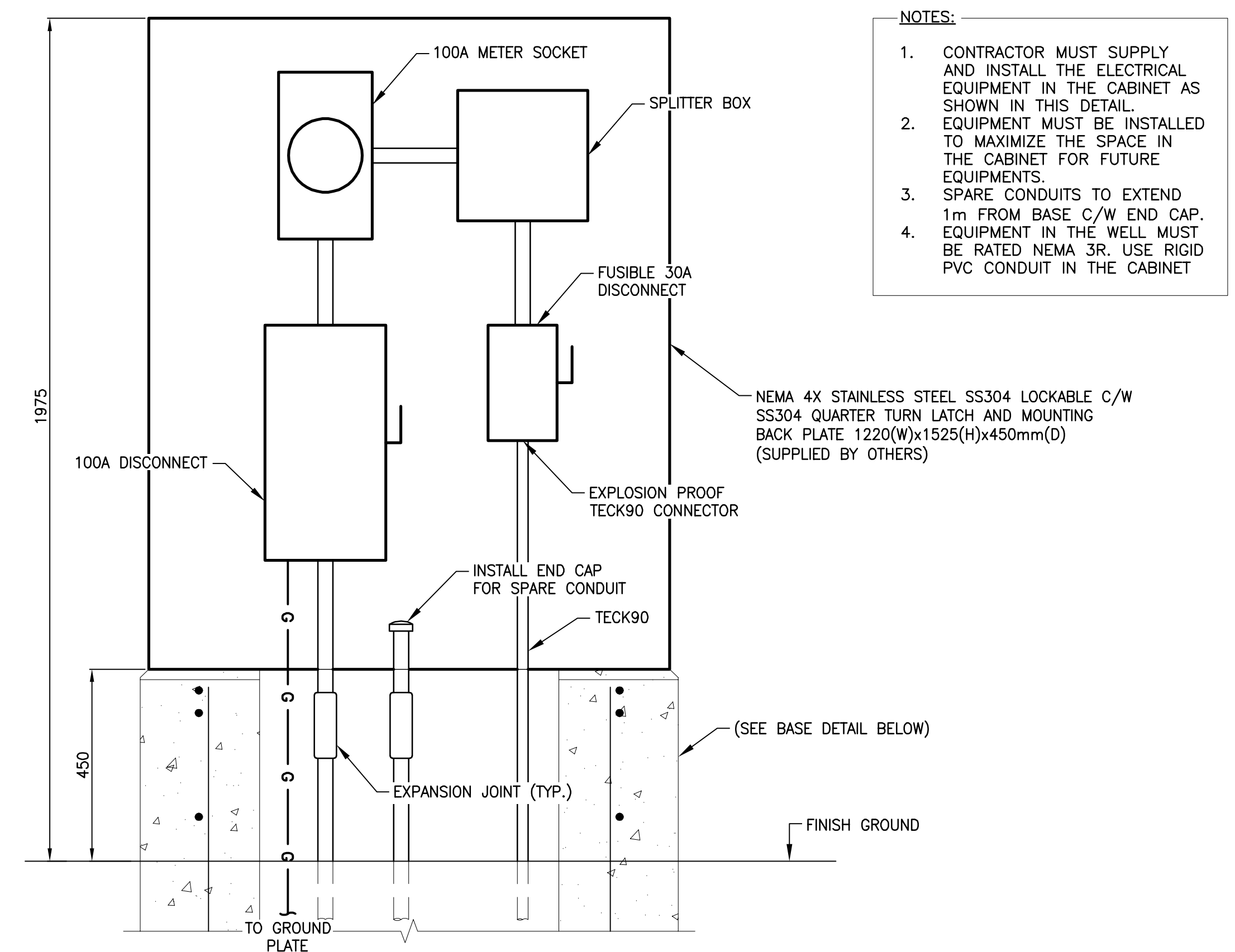
DESIGN: M. DOUCET APPROVED: M. DOUCET
DRAWN: L.N./J.O. DATE: 2021-05-01
VERIFIED: M. DOUCET SCALE: AS SHOWN

PROJECT N°: 9223-18-00 DRAWING N°: E3



- NOTES:**
- LOCATED UNDER CABINET FOR MICROWAVE.
 - RECEPTACLES SHALL BE TURNED OFF IN THE EVENT OF THE SUPPRESSION SYSTEM TURNING ON. CONTROL FOR THE SHUNT TRIP SHALL PASS THROUGH A CONTACT IN THE FIRE SUPPRESSION SYSTEM.
 - CONTRACTOR SHALL PROVIDE ROUGH-IN FOR DOOR OPERATORS SYSTEM. CONTRACTOR TO SUPPLY AND INSTALL POWER FOR THE OPERATOR AS WELL AS THE DOOR CONTROLLER. USE SAME CIRCUIT AS OPERATOR. COORDINATE LOCATION OF CONTROLLER ON SITE WITH DOOR SUPPLIER. ROUGH-IN SHALL BE DONE USING EMT CONDUIT. COORDINATE THE NUMBER OF DEVICES AND LOCATION WITH THE DOOR SUPPLIER AND ARCHITECTURAL DRAWINGS. THE SENSORS/DEVICES MIGHT NOT ALL BE SHOWN ON DRAWING.
 - CONTRACTOR TO INSTALL EMT CONDUIT FOR THE INFRARED SENSORS AND PUSHBUTTON.
 - CONTRACTOR SHALL WIRE EQUIPMENT AS SHOWN ON MECHANICAL DRAWING MV2.
 - DIVISION 23 CONTRACTOR WILL BE INSTALLING RELAYS FOR THE CONTROL OF THE HEATERS IN THE BUILDING. CONNECTION OF THE HEATER AND THERMOSTAT MUST PASS THROUGH THIS RELAY. SEE MV2 FOR FURTHER DETAILS AND THE WIRING REQUIREMENTS OF DIV 26.
 - FANS SHALL BE POWERED BY SAME CIRCUIT AS LIGHTING AND MUST BE CONTROLLED BY A SEPARATE SWITCH.
 - COORDINATE LOCATION/HEIGHT OF RECEPTACLE WITH THE REQUIREMENTS OF THE FIRE PLACE. BASEBOARD ARE CONTROLLED BY THE LOW VOLTAGE MECHANICAL THERMOSTATS SECOND STAGE HEATING.

3 PARK CENTER BUILDING PLAN VIEW - POWER & COM.
SCALE: 1:50



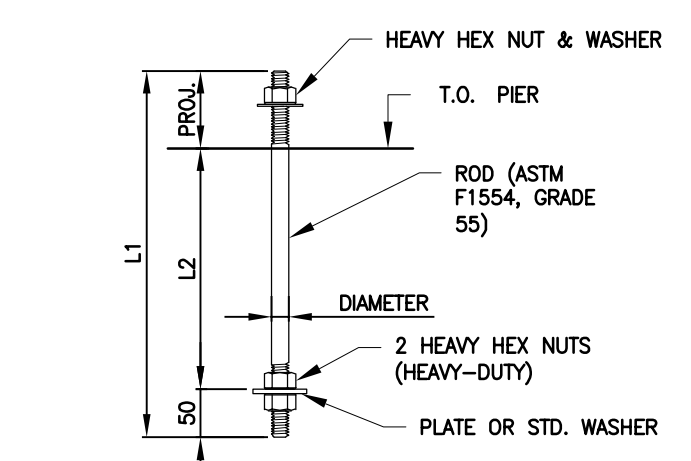
- NOTES:**
- CONTRACTOR MUST SUPPLY AND INSTALL THE ELECTRICAL EQUIPMENT IN THE CABINET AS SHOWN IN THIS DETAIL.
 - EQUIPMENT MUST BE INSTALLED TO MAXIMIZE THE SPACE IN THE CABINET FOR FUTURE EQUIPMENTS.
 - SPARE CONDUITS TO EXTEND 1m FROM BASE C/W END CAP. EQUIPMENT IN THE WELL MUST BE RATED NEMA 3R. USE RIGID PVC CONDUIT IN THE CABINET.

A E2 LIFT STATION CONTROL CABINET DETAIL
SCALE: 1:10

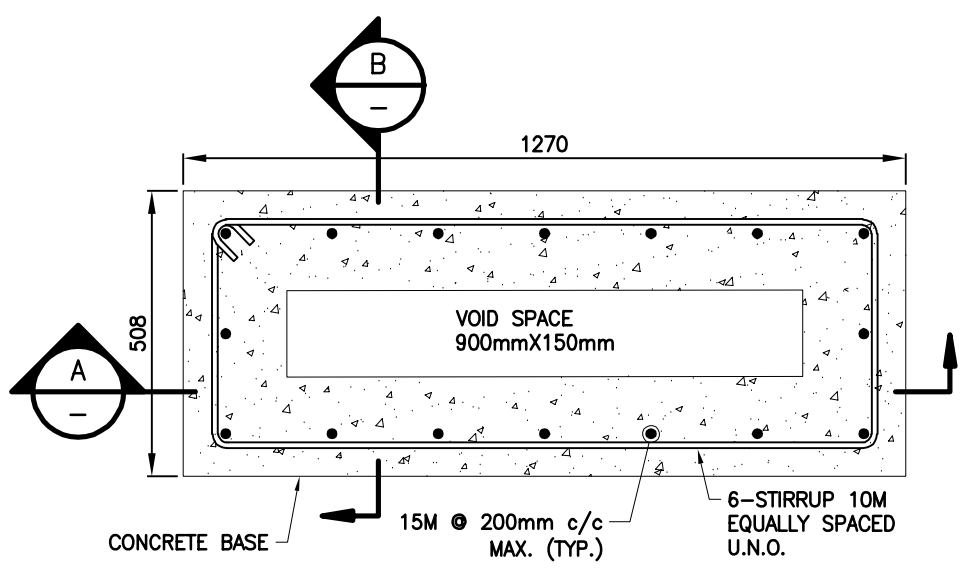
- SPECIFICATIONS:**
- CONCRETE CONSTITUENTS AND INSTALLATION IN ACCORDANCE WITH CAN/CSA-A23.1-2014 STANDARD, AND SECTION 03 30 00 CAST IN PLACE CONCRETE.
 - THE REINFORCING BARS AND THEIR PLACEMENT MUST COMPLY WITH STANDARDS CSA-G30.18-09, CSA A23.1-14 AND CSA A23.3-14, WITH A STEEL GRADE 400 MPa.

- NOTES:**
- MINIMUM COVER OF 50mm FOR REBARS AND ANCHORS.
 - 20mm CHAMFER WITH EXPOSED CONCRETE PERIMETER.
 - PROVIDE 19mm GALVANIZED ANCHOR BOLTS (MINIMUM 6) TO ATTACH THE CABINET. COORDINATE BOLT CONFIGURATION AND PEDESTAL DIMENSIONS WITH CABINET MANUFACTURER PRIOR TO INSTALLATION.

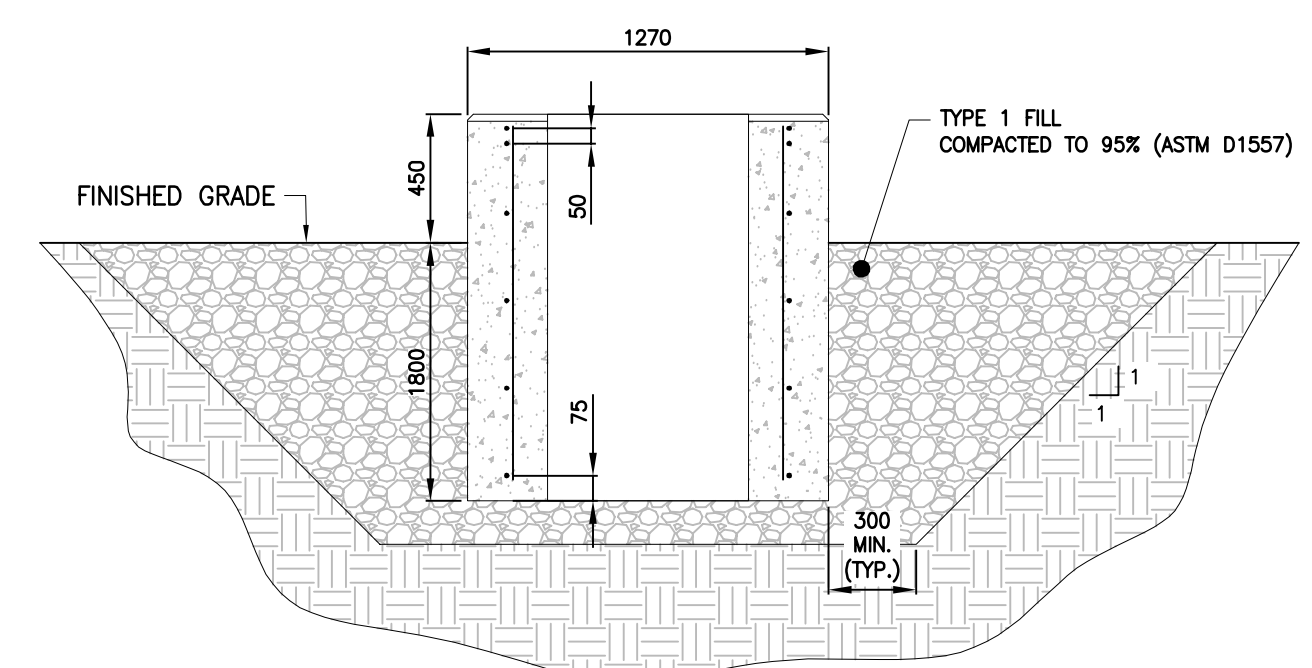
DIAMETER (mm)	LENGTH (mm)		PROJ. (mm)	PLATE WASHER
	L1	L2		
19	400	250	100	STD. WASHER



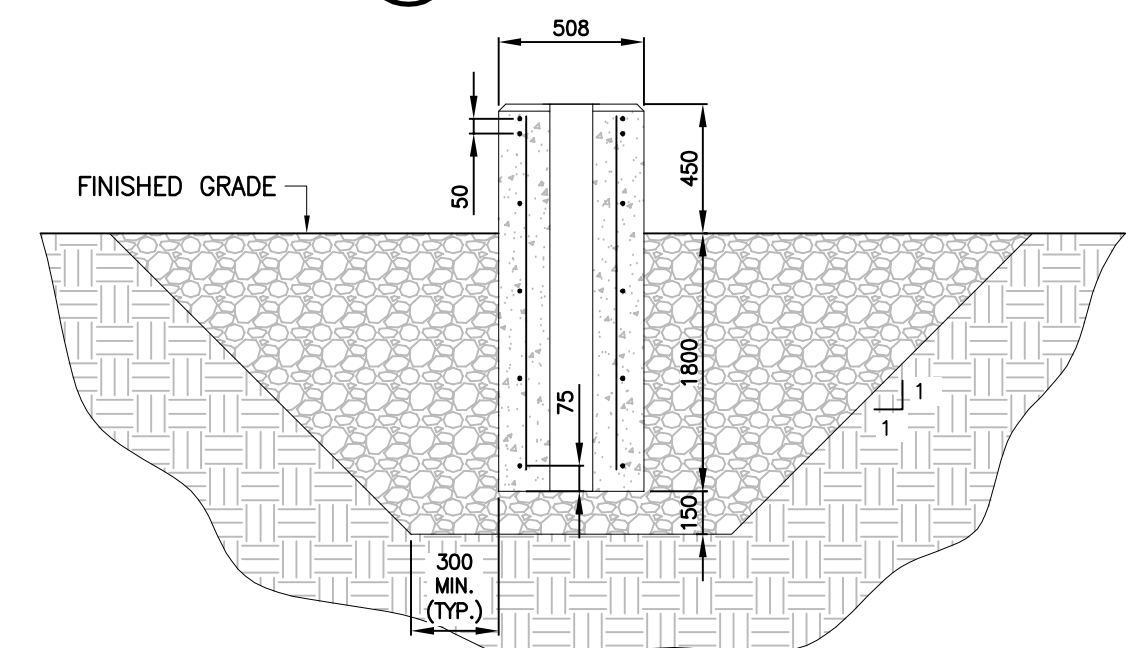
ANCHOR ROD SCHEDULE
SCALE: N.T.S.



CONCRETE BASE PLAN
SCALE: N.T.S.



A SECTION
SCALE: N.T.S.



B SECTION
SCALE: N.T.S.

REVISION:	DESCRIPTION:	BY:	DATE:
1	ISSUED FOR CONSTRUCTION	L.N.	2022-09-22
0	ISSUED FOR TENDER	L.N.	2022-05-27
A	ISSUED FOR 50% REVIEW	J.O.	2021-06-18

- GENERAL NOTES:**
- THE GENERAL CONTRACTOR IS RESPONSIBLE FOR VERIFYING ALL DIMENSIONS ON SITE TO ENSURE CONFORMITY WITH THE DIMENSIONS GIVEN ON THE DRAWINGS.
 - THE GENERAL CONTRACTOR IS RESPONSIBLE TO IMMEDIATELY SUBMIT A REPORT TO THE ARCHITECT OR ENGINEER WITH ANY INACCURACIES.
 - THE GENERAL CONTRACTOR SHOULD NOT TAKE SCALED MEASUREMENTS OFF THE DRAWINGS.
 - ANY INDIVIDUAL OR FIRM THAT HAS RECEIVED ELECTRONIC DOCUMENT USE THEM AT THEIR OWN RISK. ONLY ORIGINAL DRAWINGS, STAMPED BY THE ARCHITECT, CAN BE USED FOR CONSTRUCTION.

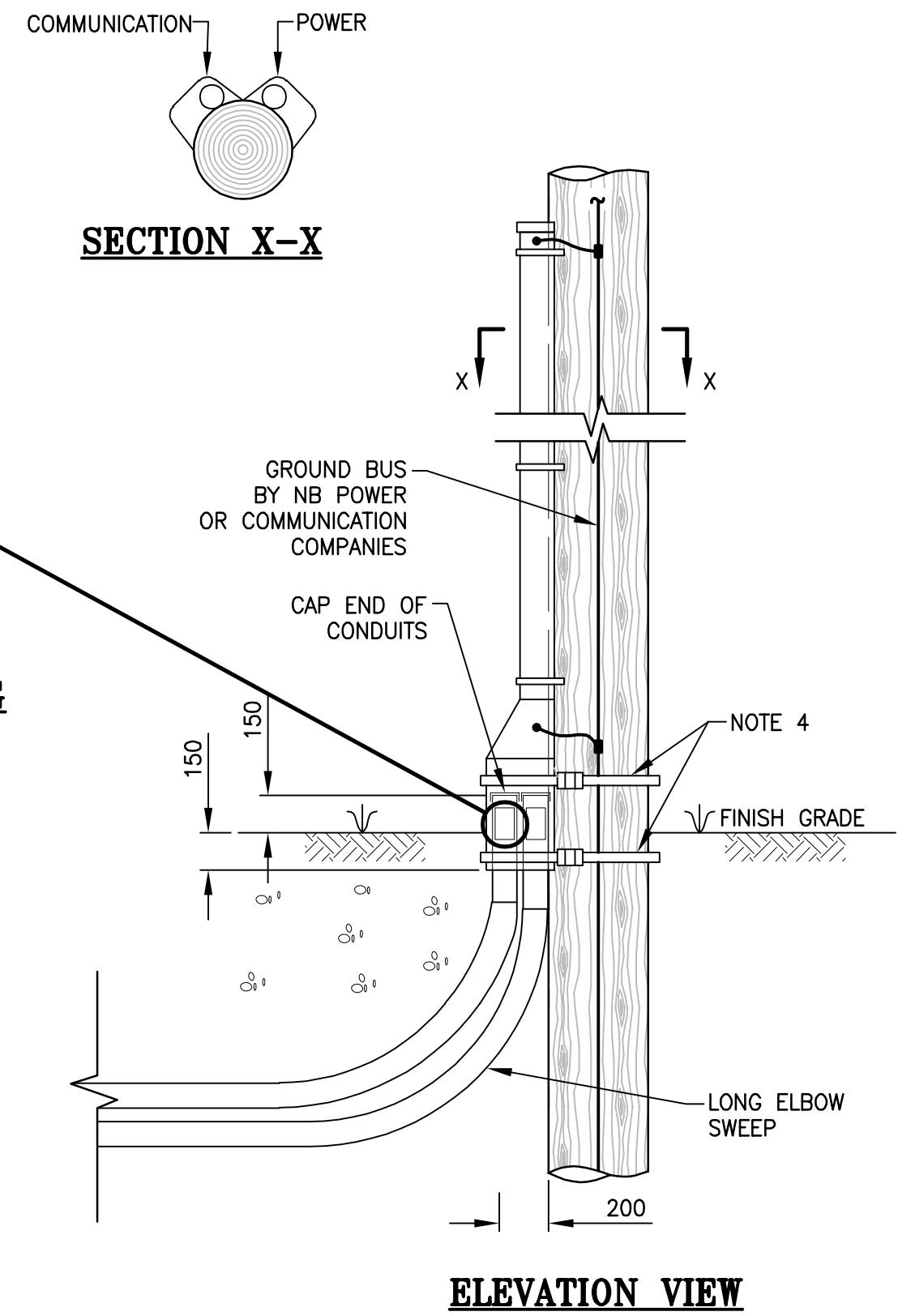
SEAL © 2016, EVOOQ architecture inc.
Copyright of this document belongs to EVOOQ architecture inc. This document may not be forwarded to others, transmitted, downloaded, reproduced nor adapted in any format, whether print or electronic, without the prior written authorization of EVOOQ architecture inc. All ideas and other information in this document are specific to this project and may not be used elsewhere without the written authorization of EVOOQ architecture inc.

PROJECT:
KCIW KNICANEWEK SPORTS AND RECREATION PARK - PHASE 2

DRAWING TITLE:
-ELECTRICAL- PLAN VIEW POWER & COMMUNICATION

DESIGN: M. DOUCET APPROVED: M. DOUCET
DRAWN: L.N./J.O. DATE: 2021-05-01
VERIFIED: M. DOUCET SCALE: AS SHOWN

PROJECT NO: **9223-18-00** DRAWING NO: **E4**

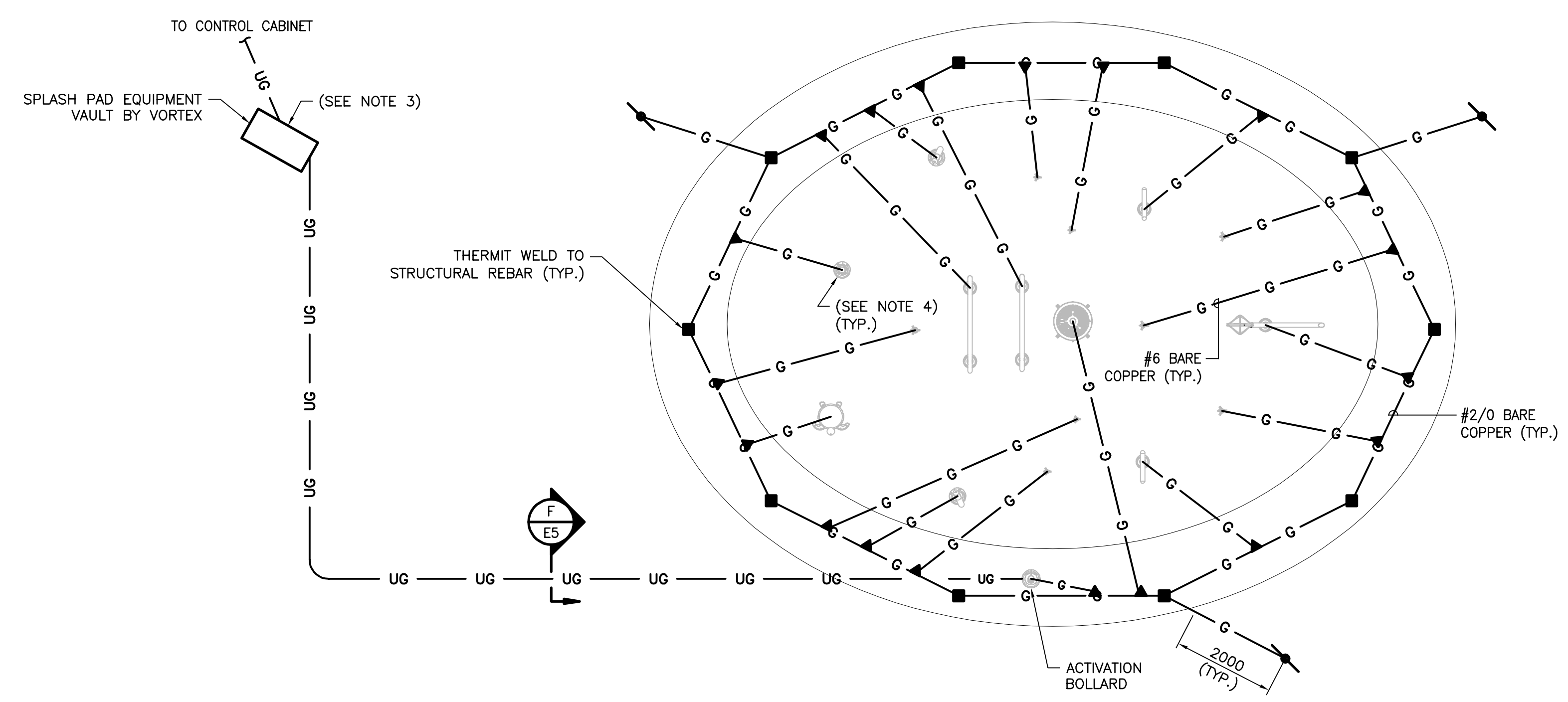


TYPICAL U/G SERVICE LAMICOÏD LABEL MARKING
N.T.S.

- NOTES:
1. LOCATION OF DUCTS AT BASE OF POLE SHALL BE SPECIFIED BY NB POWER'S REGIONAL ENGINEERING & TELECOMMUNICATION COMPANIES.
 2. OVERLAP CABLE GUARD 50mm.
 3. CONDUIT SHALL BE EFFECTIVELY SEALED AT BOTH ENDS TO PREVENT ENTRANCE OF WATER AND GAS WHEN CONDUIT IS RUN INTO A BUILDING. THIS SHALL BE DONE AT INSTALLATION.
 4. STEEL BAND GUARD TO POLE.
 5. ALL SERVICE ENTRANCE CONDUITS SHALL BE MARKED WITH PERMANENTLY SECURED LAMICOÏD LABELS AT BOTH ENDS WITH A MINIMUM 76mm x 127mm POSTED NEAR O.C. AS PER DETAIL.

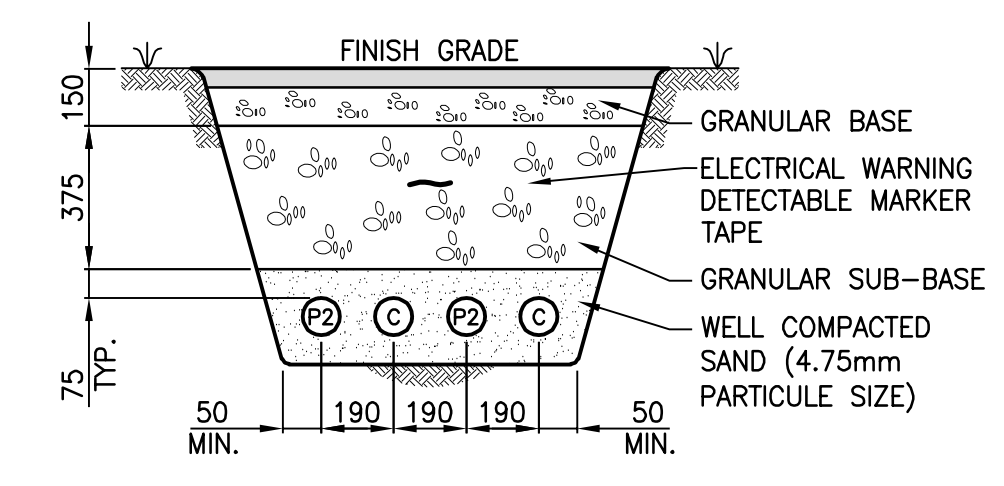
C UNDERGROUND RISER PROTECTION FOR TWO DUCTS
SCALE: N.T.S.

- NOTES:
1. ALL CONNECTIONS TO THE CONTROLLER AND OTHER VORTEX ELECTRICAL PANEL SHALL BE PERFORMED USING WATERPROOF CONNECTORS.
 2. SPLASH PAD EQUIPMENT LOCATION TO BE COORDINATED ON SITE WITH SPLASH PAD INSTALLER FOR EXACT LOCATION.
 3. INSTALL TIN PLATED COPPER GROUND BUS IN VAULT. ALL CONNECTIONS SHALL BE THERMIT WELD.
 4. TERMINATE TO EQUIPMENT USING EYE BOLT LUG, COORDINATE LOCATION AND SIZE WITH VORTEX SUPPLIER.
 5. COPPER PLATES WILL BE SUPPLIED BY OWNER.

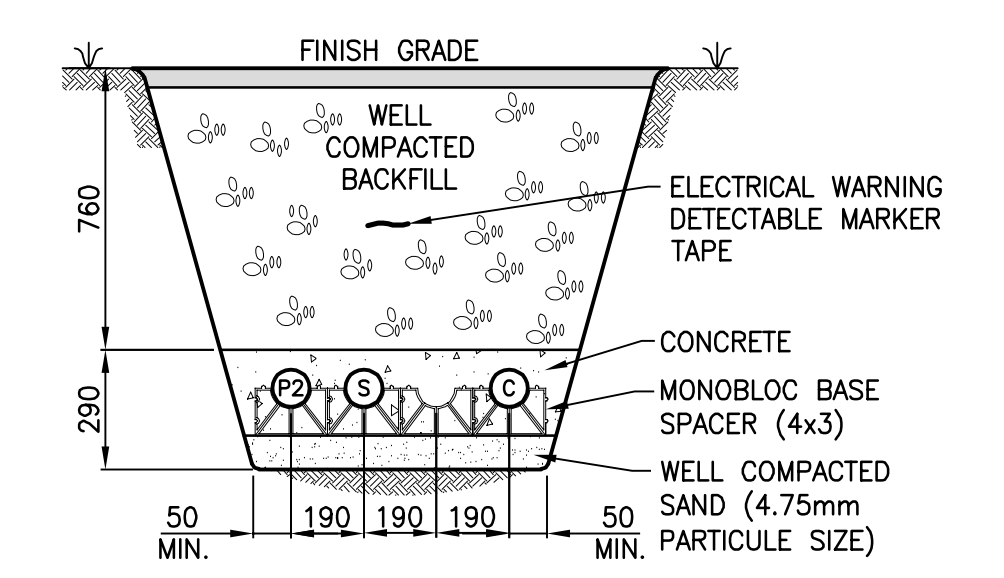


S SPLASH PAD ELECTRICAL DETAIL
SCALE: 1:75

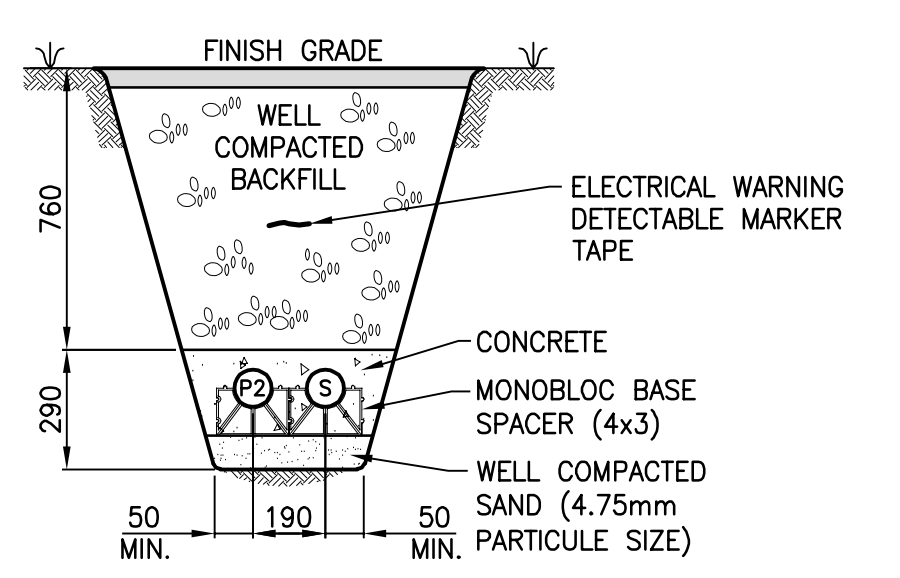
- NOTES:
1. 6mm NYLON ROPE OR EQUIVALENT SHALL BE INSTALLED AND SECURED IN EACH CONDUIT.
 2. ALL DUCTS SHALL BE PROPERLY IDENTIFIED AT BOTH ENDS WITH LAMICOÏD LABELS.
 3. BACKFILL PARTICLES SHALL BE LESS THAN 38mm AND BACKFILL SHALL BE COMPACTED TO AT LEAST 95% MAXIMUM DENSITY TO ASTM D698.
 4. ELECTRICAL WARNING DETECTABLE MARKER TAPE SHALL BE AS PER PANDUIT #HTDU 75mm WIDE.



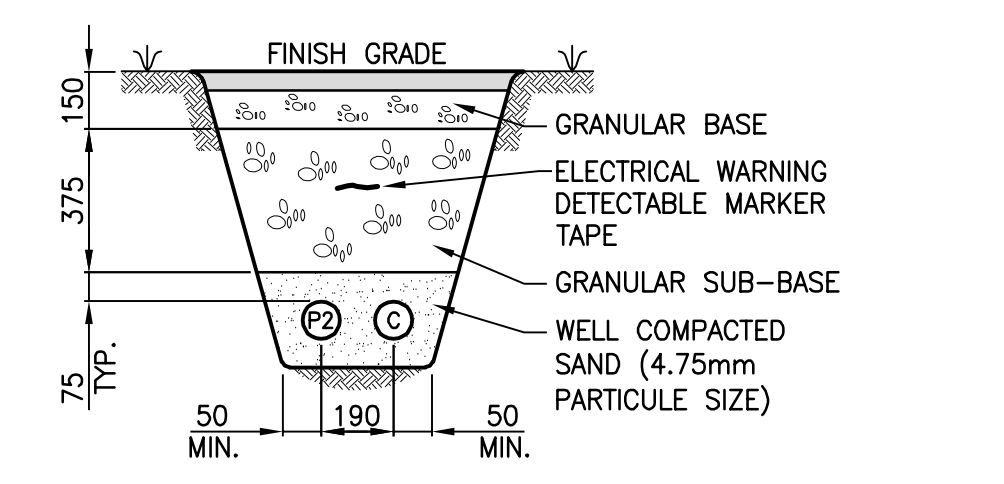
D TRENCH DETAIL
SCALE: 1:20



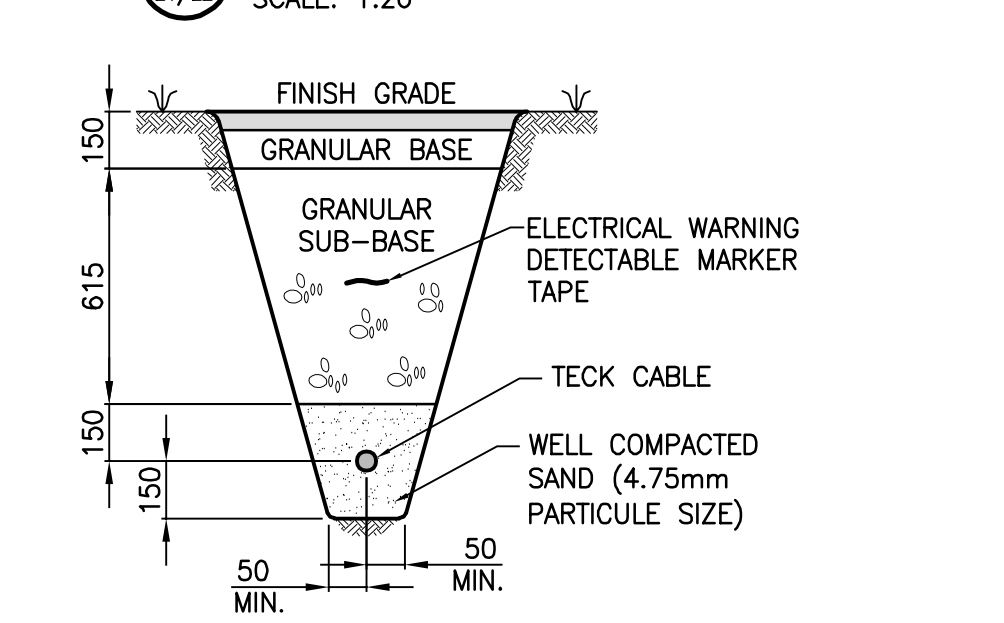
G TRENCH DETAIL
SCALE: 1:20



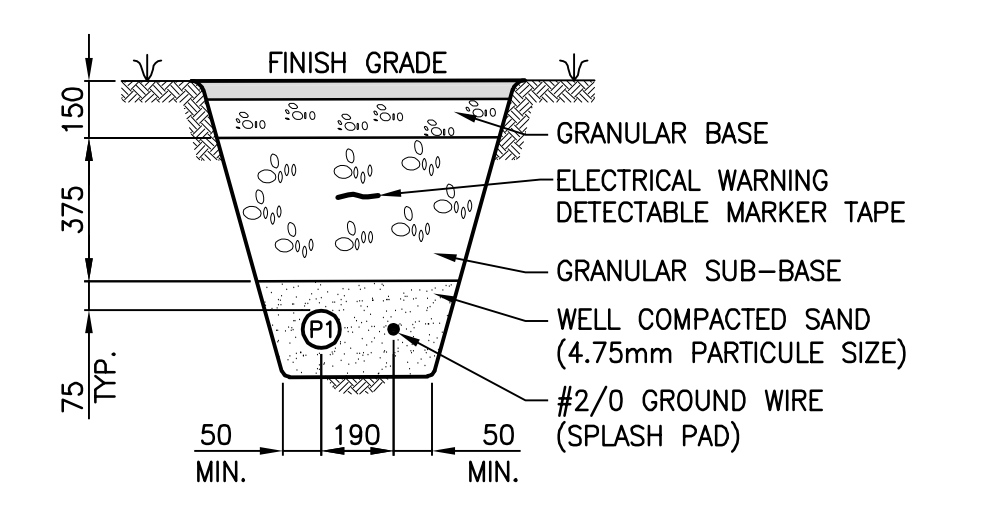
A TRENCH DETAIL
SCALE: 1:20



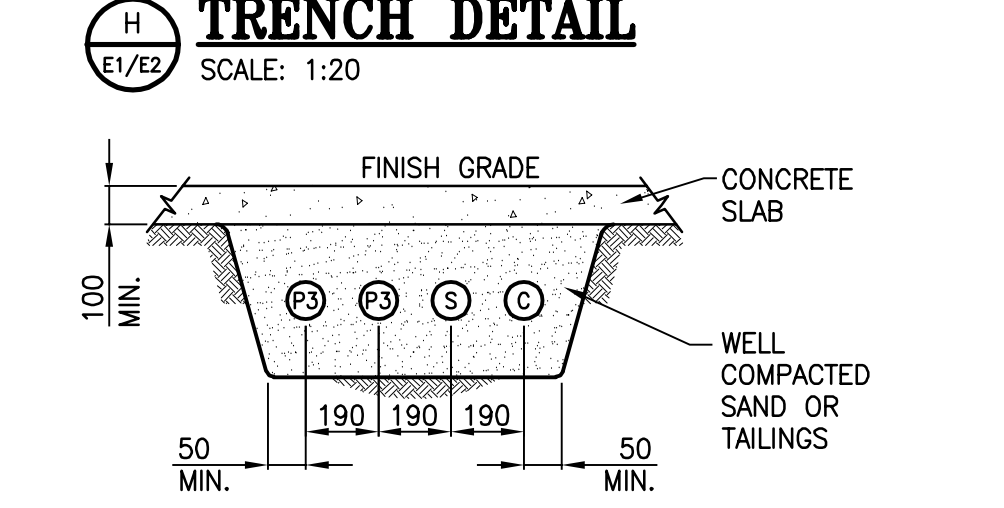
E TRENCH DETAIL
SCALE: 1:20



H TRENCH DETAIL
SCALE: 1:20

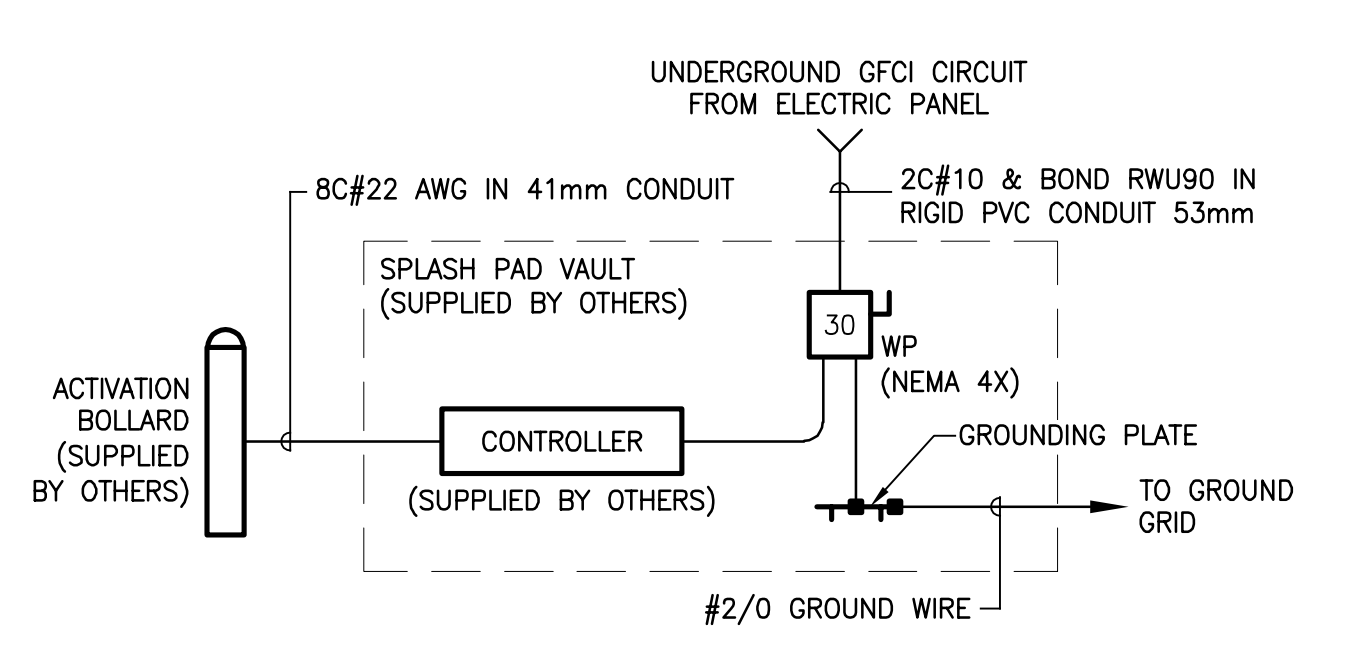


F TRENCH DETAIL
SCALE: 1:20



J TRENCH DETAIL
SCALE: N.T.S.

- NOTES:
1. CONFIRM EXACT LOCATION OF DISCONNECT, GROUND BUS & ELECTRICAL ENTRY POINT WITH MANUFACTURER'S SHOP DRAWINGS PRIOR TO ROUGH-IN.
 2. CONFIRM TERMINAL CONNECTIONS IN CONTROLLER WITH MANUFACTURER'S SHOP DRAWINGS PRIOR TO ROUGH-IN.
 3. ALL CONNECTORS & INSTALLATION IN VAULT SHALL BE WATERPROOF.
 4. WIRING FOR ACTIVATION BOLLARD FROM CONTROLLER PROVIDED BY VORTEX, INSTALLED BY THIS CONTRACTOR.
 5. INSTALL DISCONNECT IN VAULT IF POSSIBLE. IF NOT, INSTALL IT ON THE EXTERIOR OF THE VAULT.



S SPLASH PAD ELECTRICAL SCHEMATIC
SCALE: N.T.S.

REVISION:	DESCRIPTION:	BY:	DATE:
1	ISSUED FOR CONSTRUCTION	L.N.	2022-09-23
0	ISSUED FOR TENDER	L.N.	2022-05-27
A	ISSUED FOR 50% REVIEW	J.O.	2021-06-18

- GENERAL NOTES:
1. THE GENERAL CONTRACTOR IS RESPONSIBLE FOR VERIFYING ALL DIMENSIONS ON SITE TO ENSURE CONFORMITY WITH THE DIMENSIONS GIVEN ON THE DRAWINGS.
 2. THE GENERAL CONTRACTOR IS RESPONSIBLE TO IMMEDIATELY SUBMIT A REPORT TO THE ARCHITECT OR ENGINEER WITH ANY INACCURACIES.
 3. THE GENERAL CONTRACTOR SHOULD NOT TAKE SCALED MEASUREMENTS OFF THE DRAWINGS.
 4. ANY INDIVIDUAL OR FIRM THAT HAVE RECEIVED ELECTRONIC DOCUMENT USE THEM AT THEIR OWN RISK. ONLY ORIGINAL DRAWINGS, STAMPED BY THE ARCHITECT, CAN BE USED FOR CONSTRUCTION.

SEAL
© 2016, EVOQ architecture inc.
Copyright of this document belongs to EVOQ architecture inc. This document may not be forwarded to others, transmitted, downloaded, reproduced nor adapted in any format, whether print or electronic, without the prior written authorization of EVOQ architecture inc. All ideas and other information in this document are specific to this project and may not be used elsewhere without the written authorization of EVOQ architecture inc.

PROJECT:
KCIW KNICANEWEK SPORTS AND RECREATION PARK - PHASE 2

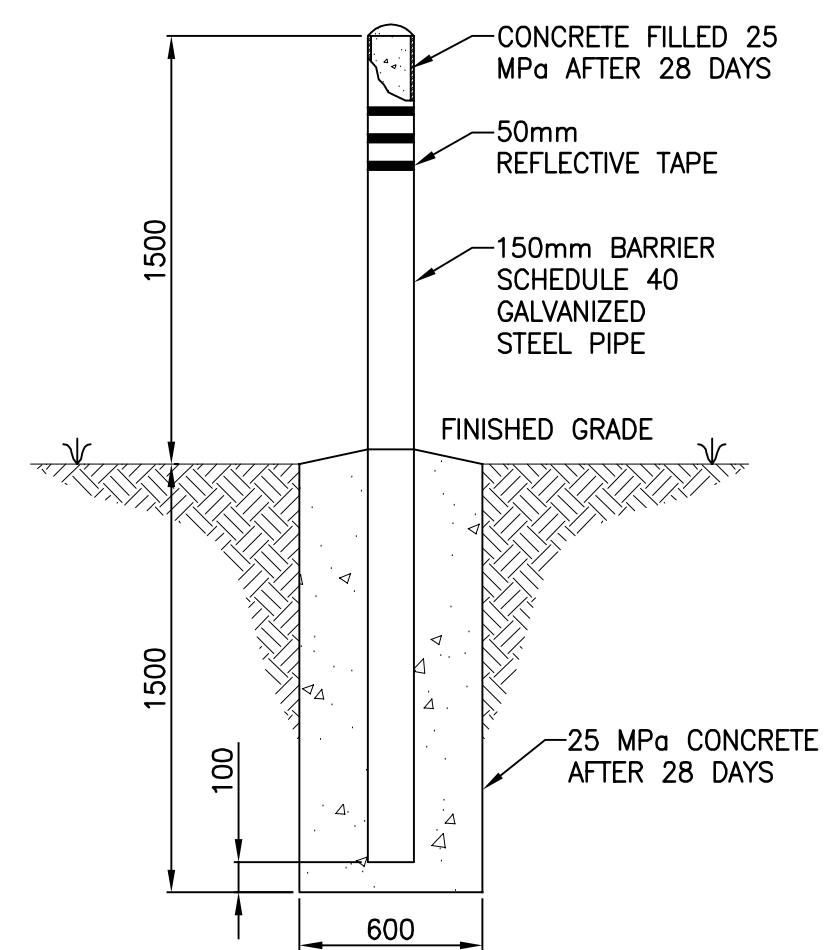
DRAWING TITLE:
-ELECTRICAL- DETAILS

DESIGN: M. DOUCET
APPROVED: M. DOUCET
DRAWN: L. NOEL
DATE: 2021-05-01
VERIFIED: M. DOUCET
SCALE: AS SHOWN

PROJECT N°:
DRAWING N°:
9223-18-00 E5

NOTES:

1. PAINT BARRIER BOLLARDS WITH TWO COATS OF "SAFETY YELLOW". PAINT OVER A SUITABLE PRIMER. YELLOW POLYETHYLENE SLEEVES, SUCH AS THE ARMORCAST "GUARDIAN SLEEVE" MAY BE USED INSTEAD OF PAINTING. INSTALL AT APPROXIMATELY 1.5m FROM ENCLOSURE.
2. APPLY THREE 50mm WIDE REFLECTIVE TAPE BANDS ON EACH BOLLARD; USE 3M "SCOTCH-LITE" SILVER REFLECTIVE TAPE OR EQUIVALENT.

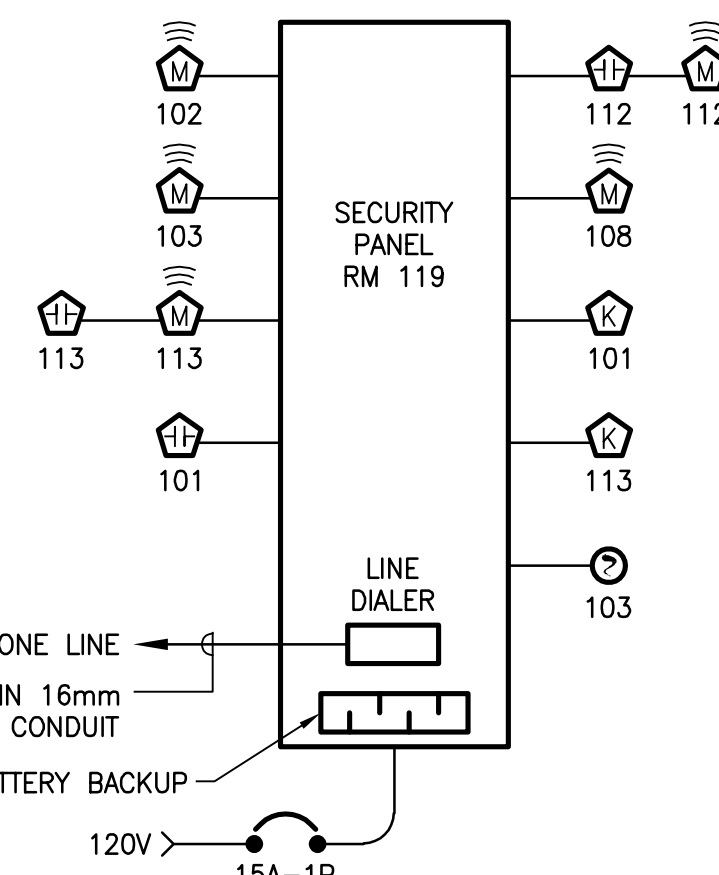


TYPICAL BARRIER BOLLARD DETAIL

SCALE: N.T.S.

NOTES:

1. THE DRAWINGS ARE DIAGRAMMATIC AND INDICATE GENERAL LOCATIONS FOR ELECTRICAL EQUIPMENT. THE CONTRACTOR SHALL VERIFY ALL EQUIPMENT LOCATIONS ON SITE PRIOR TO INSTALLATION.
2. ALL EXPOSED WIRING IN EMT CONDUIT. CONCEALED WIRING SHALL BE SUPPORTED BY J-HOOKS.
3. FLOOR PLANS HAVE PRECEDENCE OVER THIS RISER FOR DEVICE COUNT: THE RISER IS DIAGRAMMATIC ONLY FOR OPERATION/ZONING PURPOSES ONLY AND NOT A WIRING DIAGRAM.
4. CONTRACTOR SHALL SUPPLY ALL THE NECESSARY MATERIALS TO OBTAIN A COMPLETE FUNCTIONAL SYSTEM.

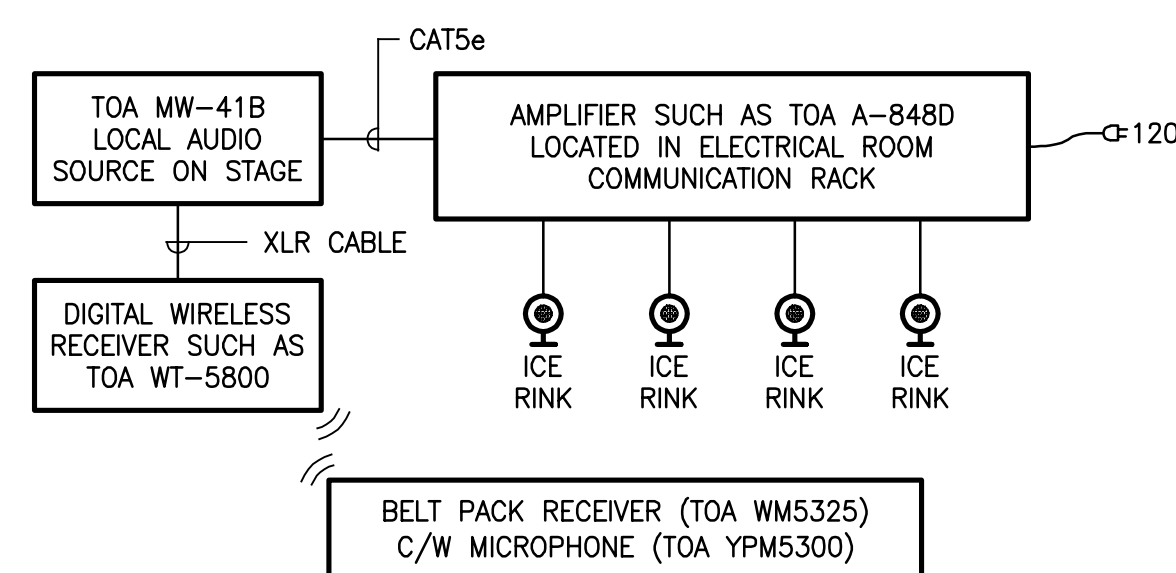


SECURITY RISER DIAGRAM

SCALE: N.T.S.

NOTES:

1. CONTRACTOR SHALL SUPPLY ALL NECESSARY MATERIAL TO PROVIDE A COMPLETE WORKING SYSTEM.
2. FLOOR PLANS HAVE PRECEDENCE OVER THIS RISER FOR DEVICE COUNT. THE RISER IS DIAGRAMMATIC ONLY FOR OPERATION PURPOSES AND IS NOT A WIRING DIAGRAM.

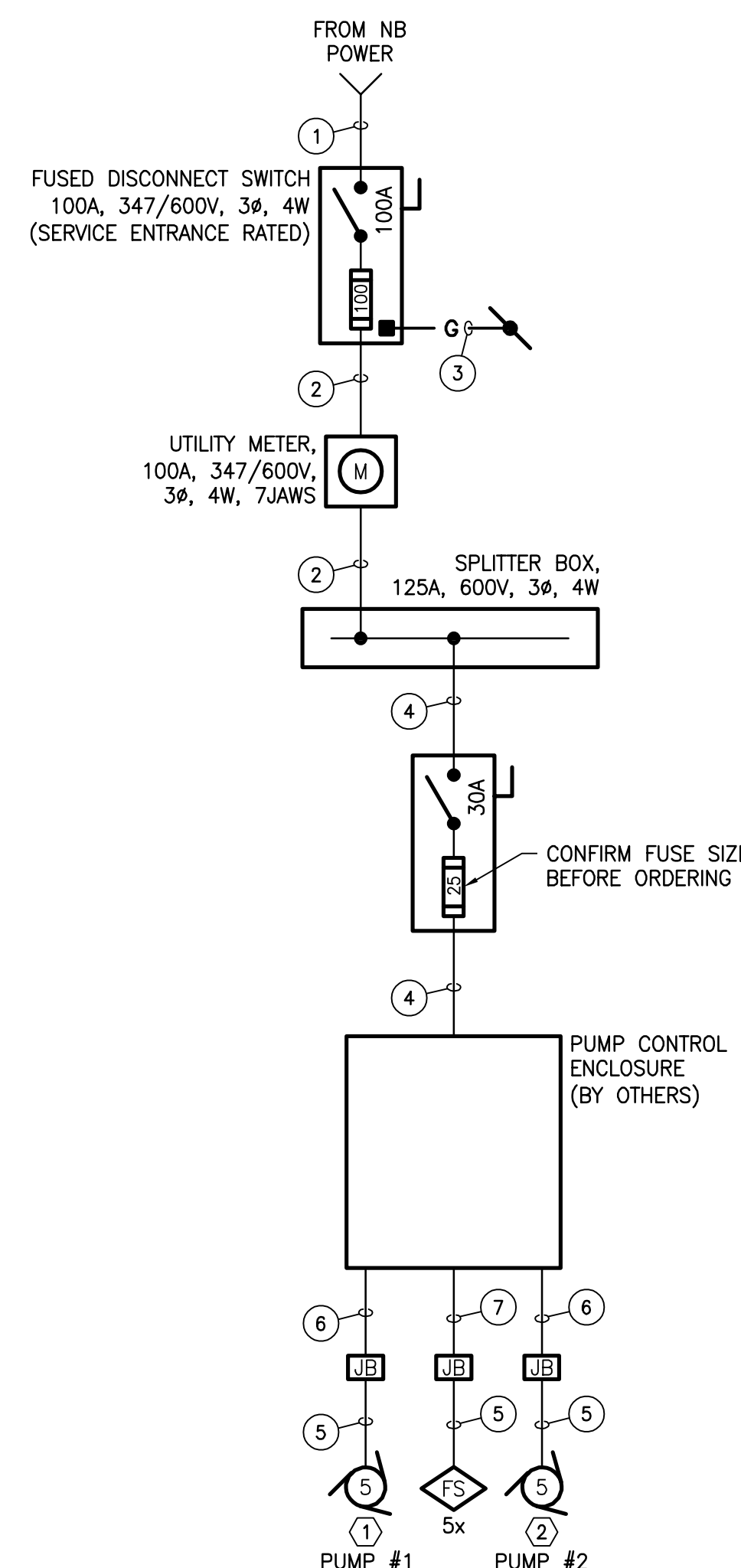


SPEAKER SYSTEM DIAGRAM

SCALE: N.T.S.

WIRE & CONDUIT TABLE

- 1 4C#3 AWG RW90 IN 53mm RIGID PVC CONDUIT
- 2 4C#3 AWG RW90 & BOND IN 53mm RIGID PVC CONDUIT
- 3 1C#6 AWG RW90 GREEN & BOND IN 21mm RIGID PVC CONDUIT
- 4 3C#10 TECK90
- 5 WIRE SUPPLIED BY DIV.22, INSTALLED BY DIV.26
- 6 3C#10 AWG RW90 & BOND IN 21mm CONDUIT + 4C#12 AWG RW90 & BOND IN 21mm CONDUIT
- 7 10C#12 AWG RW90 IN 27mm CONDUIT



LIFT STATION SINGLE LINE DIAGRAM

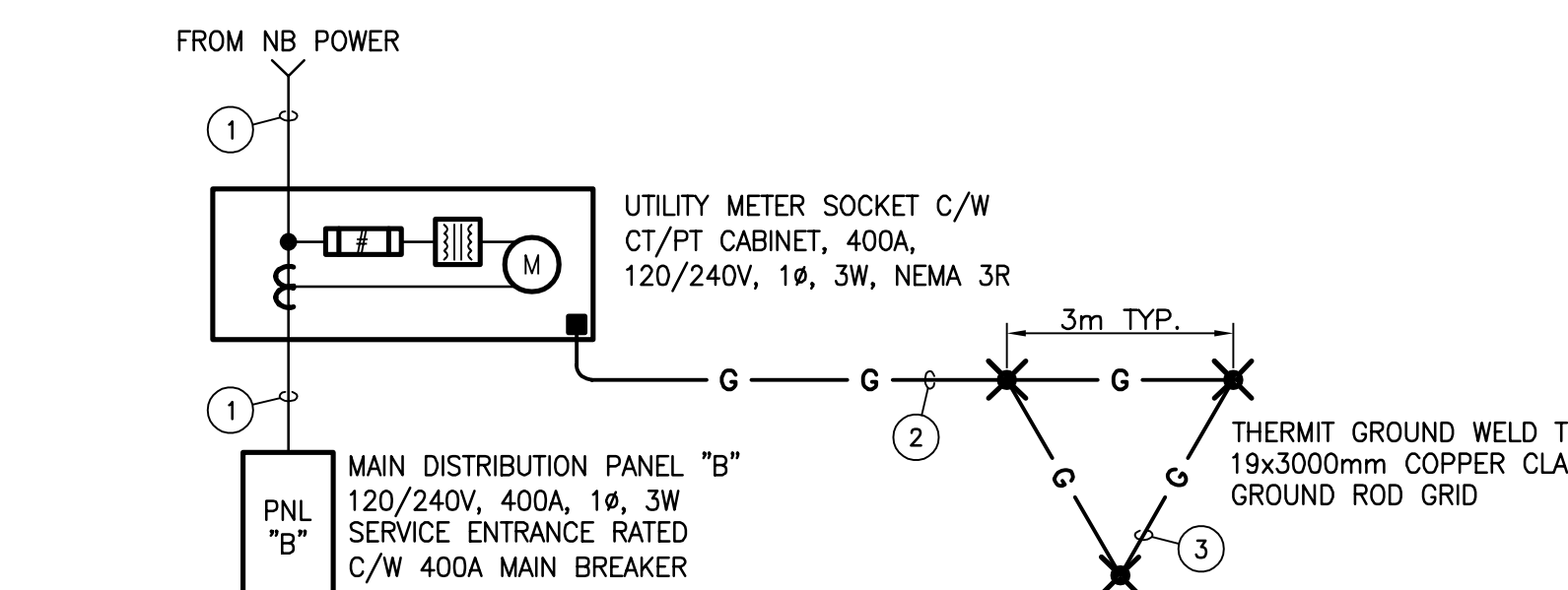
SCALE: N.T.S.

WIRE & CONDUIT TABLE

- 1 3C#500 MCM RWU90-CU & BOND IN 104mm RIGID PVC CONDUIT
- 2 1C#6 AWG RW90 GREEN INSULATED GROUND IN 16mm RIGID PVC CONDUIT
- 3 1C#2/0 AWG BARE COPPER CABLE

DEMAND TABLE

LOADS	CONNECTED (W)	DEMAND (W)
MECH.	28200	21200
BASE	12000	12000
HEATING	25000	22000
OTHER	11500	11500
TOTAL:	76700	66700

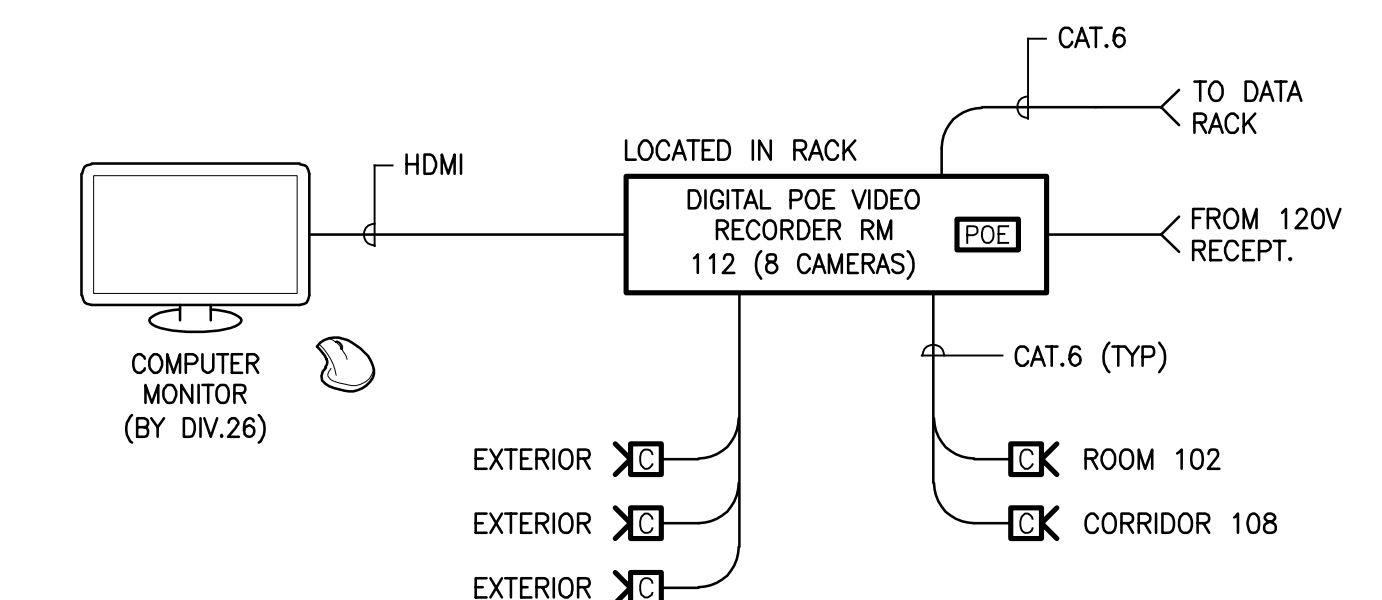


PARK CENTER BUILDING SINGLE LINE DIAGRAM

SCALE: N.T.S.

NOTES:

1. THE DRAWINGS ARE DIAGRAMMATIC AND INDICATE GENERAL LOCATIONS FOR ELECTRICAL EQUIPMENT. THE CONTRACTOR SHALL VERIFY ALL EQUIPMENT LOCATIONS ON SITE PRIOR TO INSTALLATION.
2. ALL EXPOSED WIRING IN EMT CONDUIT. CONCEALED WIRING SHALL BE SUPPORTED BY J-HOOKS.
3. FLOOR PLANS HAVE PRECEDENCE OVER THIS RISER FOR DEVICE COUNT: THE RISER IS DIAGRAMMATIC ONLY FOR OPERATION/ZONING PURPOSES ONLY AND NOT A WIRING DIAGRAM. CONTRACTOR SHALL SUPPLY ALL THE NECESSARY MATERIALS TO OBTAIN A COMPLETE FUNCTIONAL SYSTEM.

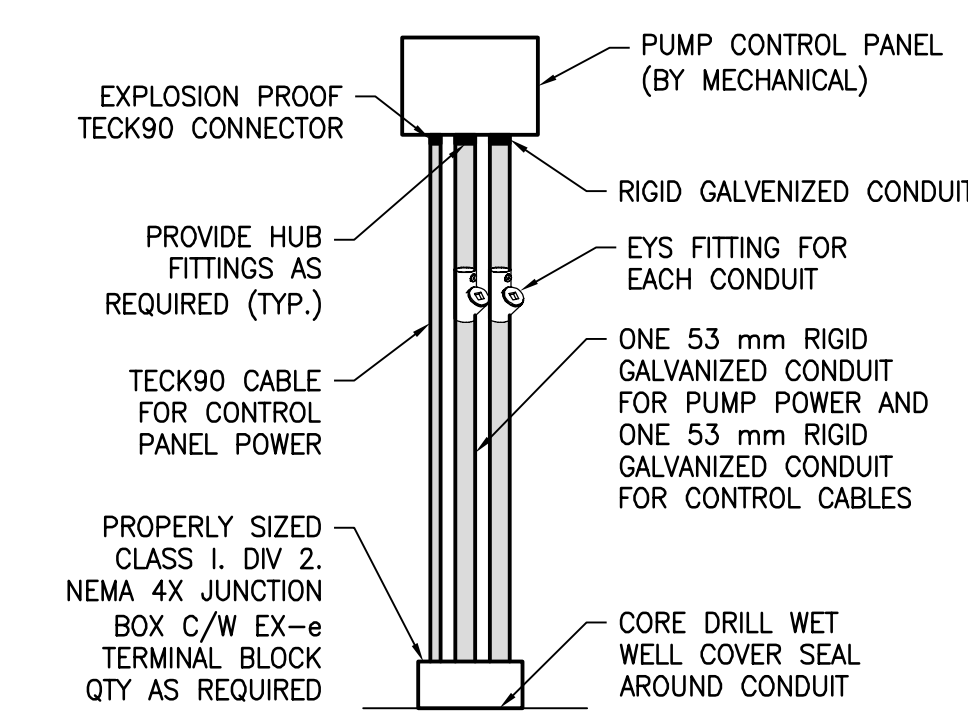


CCTV SYSTEM DIAGRAM

SCALE: N.T.S.

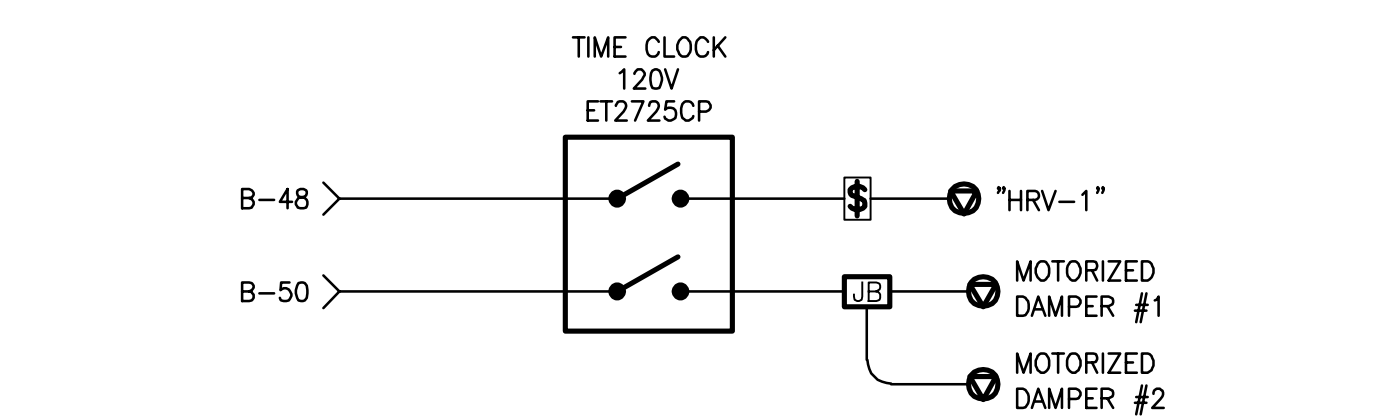
NOTES:

1. REFER TO MECHANICAL DRAWINGS FOR ELEVATIONS.
2. ADD UNISTRUTS AS REQUIRED TO SUPPORT CONDUITS/CABLE AND PANEL/BOX.



PUMP CONTROL PANEL ELEVATION VIEW

N.T.S.



HRV TIME CLOCK CONTROL DIAGRAM

SCALE: N.T.S.

N°	DESCRIPTION:	BY	DATE
1	ISSUED FOR CONSTRUCTION	L.N.	2022-09-23
0	ISSUED FOR TENDER	L.N.	2022-05-27
A	ISSUED FOR 50% REVIEW	J.O.	2021-06-18

- GENERAL NOTES:**
1. THE GENERAL CONTRACTOR IS RESPONSIBLE FOR VERIFYING ALL DIMENSIONS ON SITE TO ENSURE CONFORMITY WITH THE DIMENSIONS GIVEN ON THE DRAWINGS.
 2. THE GENERAL CONTRACTOR IS RESPONSIBLE TO IMMEDIATELY SUBMIT A REPORT TO THE ARCHITECT OR ENGINEER WITH ANY INACCURACIES.
 3. THE GENERAL CONTRACTOR SHOULD NOT TAKE SCALED MEASUREMENTS OFF THE DRAWINGS.
 4. ANY INDIVIDUAL OR FIRM THAT HAVE RECEIVED ELECTRONIC DOCUMENT USE THEM AT THEIR OWN RISK. ONLY ORIGINAL DRAWINGS, STAMPED BY THE ARCHITECT, CAN BE USED FOR CONSTRUCTION.

SEAL © 2016, EVOQ architecture inc.
 Copyright of this document belongs to EVOQ architecture inc. This document may not be forwarded to others, transmitted, downloaded, reproduced nor adapted in any format, whether print or electronic, without the prior written authorization of EVOQ architecture inc. All ideas and other information in this document are specific to this project and may not be used elsewhere without the written authorization of EVOQ architecture inc.

PROJECT:
 KCIW KNICANEWEK SPORTS AND RECREATION PARK - PHASE 2

**-ELECTRICAL-
 DETAILS &
 DIAGRAMS**

DESIGN: M. DOUCET APPROVED: M. DOUCET
 DRAWN: J. OUEDRAGO DATE: 2021-05-01
 VERIFIED: M. DOUCET SCALE: AS SHOWN

PROJECT N°: 9223-18-00 DRAWING N°: E6

MECHANICAL EQUIPMENT CONNECTION SCHEDULE

TAG	LOCATION	DESCRIPTION	VOLTAGE/PHASE	HP/KW	MCA/FLA	MOP/OPD	STARTER SUPPLIED BY	STARTER TYPE	DISCONNECT MEANS	BREAKER /PANEL	POWER WIRING	INTERLOCK WITH	COMMENTS
①	ZAMBONI STORAGE	HOT WATER TANK "HWT-2"	240/1	12KW	50FLA	---	---	---	DIV.26	70A-2P/PNL "B"	2C#4 AWG NMD90	---	---
②	MECH. ELEC. ROOM 109	HOT WATER TANK "HWT-1"	240/1	4.5KW	12.5FLA	---	---	---	DIV.26	25A-2P/PNL "B"	2C#10 AWG NMD90	---	---
③	---	---	---	---	---	---	---	---	---	---	---	---	---
④	MECH. ELEC. ROOM 109	TRAP PRIMER "TP-1"	120/1	---	---	---	---	---	---	15A-1P/PNL "B"	2C#12 AWG NMD90	---	---
⑤	EXTERIOR	LIFT STATION	600/3	10HP	---	25A	---	DIV.23	DIV.23	25A-3P	3C#10 AWG TECK90	---	---
⑥	MECH. ELEC. ROOM 109	HEAT RECOVERY VENTILATION UNIT "HRV-1"	120/1	---	12MCA	20A	---	---	DIV.26	20A-1P/PNL "B"	2C#12 AWG NMD90	"MD-1" & "MD-2"	---
⑦	MECH. ELEC. ROOM 109, 107	MOTORIZED DAMPER "MD-1" & "MD-2"	120/1	50W	---	---	---	---	---	15A-1P/PNL "B"	2C#12 AWG NMD90	"HRV-1"	---
⑧	CANTEEN 103	KITCHEN EXHAUST "EF-1"	240/1	1.5HP	10FLA	---	---	DIV.23	DIV.23	25A-2P/PNL "B"	2C#10 AWG TECK90	---	---
⑨	---	---	---	---	---	---	---	---	---	---	---	---	---
⑩	EXTERIOR	OUTDOOR UNIT "OU-1"	240/1	---	---	45A	---	---	DIV.26	45A-2P/PNL "B"	2C#8 AWG NMD90	---	---
⑪	CORRIDOR 109	INDOOR UNIT "IU-1" & "IU-2"	240/1	---	---	---	---	---	DIV.26	15A-2P/PNL "B"	2C#12 AWG NMD90	---	---
⑫	ROOT	MAKE UP AIR "MUA-1"	240/1	3/4HP	6.9FLA	---	---	DIV.23	DIV.23	15A-2P/PNL "B"	2C#12 AWG NMD90	---	---

NOTES: CONTRACTOR SHALL BE RESPONSIBLE TO CONFIRM ELECTRICAL EQUIPMENT INFORMATION ON SITE PRIOR TO RIG-IN, ANY INCONSISTENCY BETWEEN THIS TABLE AND EQUIPMENT ON SITE SHALL BE REPORTED TO CONSULTANT FOR REVIEW. INSTALL NMD WIRING IN FLEXIBLE METAL CONDUIT/LIQUID TIGHT CONDUIT WHEN EXPOSED FOR FINAL CONNECTION.

MCA = MINIMUM CIRCUIT AMPACITY FLA = FULL LOAD AMPS MOP = MAXIMUM OVERCURRENT PROTECTION OPD = OVERCURRENT PROTECTION DEVICE
H-0-A = HAND-OFF-AUTO O-A = OFF-AUTO T-0-A = TEST-OFF-AUTO

LUMINAIRE SCHEDULE

TYPE	DESCRIPTION	MANUFACTURER	MODEL #	VOLTAGE	LAMP TYPE	WATTAGE	LUM/HOURS
A	1168x81mm SUSPENDED MOUNTED LED LUMINAIRE, CODE-GAUGE STEEL C/W SENSOR AT 10FT ABOVE FINISHED FLOOR, DAMP LOCATION	LITHONIA LIGHTING	BLWP4-40L-ADP-GZ10-LP835-MSD7ADXC	120V	LED 3500K CRI>80	39.5	4124/60000
B	260mm PENDANT THREAD MOUNT LED LUMINAIRE, DOWNLIGHT, HEAVY-GAUGE ALUMINUM HOUSING, 0-10V DIMMING, 45° SWIVEL	LITHONIA LIGHTING	LDN6CYL-35-50-L06-AR-LSS-MVOLT-GZ1-PM-WL-CRS	120V	LED 3500K CRI>80	57.7W	4975/60000
C	229x329mm WALL PACK LED LUMINAIRE, PRISMATIC GLASS LENSE, LOW MAINTENANCE, RUGGED CAST-ALUMINUM HOUSING	LITHONIA LIGHTING	ARC2-LED-P4-30K-MVOLT-DBLXD OPTION: FAO	120V	LED 3000K CRI>80	30W	3903/100000
D	94x110mm WALL MOUNTED LED LUMINAIRE, CAST-ALUMINUM HOUSING, POLYCARBONATE LENS, WET LOCATION	LITHONIA LIGHTING	OLLWD-LED-P1-40K-MVOLT-DOB	120V	LED 4000K CRI>80	9W	533/50000
E	600x600mm LUMEN LED FLAT PANEL, ALUMINUM FRAME, DAMP LOCATION, ADJUSTABLE LUMEN	LITHONIA LIGHTING	CPANL-2X2-24/33/44LM-35K-24LM	120V	LED 3500K CRI>80	20W	2400/60000
F	1168x81mm SURFACE MOUNTED LED LUMINAIRE, CODE-GAUGE STEEL, DAMP LOCATION	LITHONIA LIGHTING	WL4-40L-EZ1-LP835	120V	LED 3500K CRI>80	39.5	4124/60000
G	170mm LED RECESSED DOWNLIGHT LUMINAIRE, ALUMINUM DIE CAST CONSTRUCTION WITH DETACHED HIGH EFFICIENCY DRIVER TO ALLOW SHALLOW CEILING INSTALLATION, WET LOCATION RATED	LITHONIA LIGHTING	WF8-SW5-90CRI-MW	120V	LED 3500K CRI>80	19.7W	1649/50000
H	114.3mm SCOUT WALL MOUNTED ARCHITECTURAL LUMINAIRE, 0-10V DIMMING, EXTRUDED ALUMINUM HEATSINK, WHITE FINE TEXTURE C/W WHITE CABLE	EUREKA LIGHTING	3049-10-LED-35-80-120-DV-WI-FRO-WHE-WHE	120V	LED 3500K CRI>80	13.7W	1472/50000
J	1168x81mm SUSPENDED MOUNTED LED LUMINAIRE, DAMP LOCATION	LITHONIA LIGHTING	BLWP4-48L-ADP-GZ10-LP835	120V	LED 3500K CRI>80	40W	5137/60000
K	254x254mm SURFACE MOUNTED LED LUMINAIRE, CAST-ALUMINUM CONSTRUCTION, 0-10V DIMMING, WET LOCATION	LITHONIA LIGHTING	CNYLED-PO-4000K-MVOLT-DOB	120V	LED 4000K CRI>80	27W	3500/50000
L	170mm LED RECESSED DOWNLIGHT LUMINAIRE, ALUMINUM DIE CAST CONSTRUCTION WITH DETACHED HIGH EFFICIENCY DRIVER TO ALLOW SHALLOW CEILING INSTALLATION, WET LOCATION RATED	LITHONIA LIGHTING	WF6-SQ-S-LED-40K-MVOLT	120V	LED 4000K CRI>80	13.9W	920/36000
M	305x1220mm LUMEN LED FLAT PANEL, ALUMINUM FRAME, DAMP LOCATION C/W SURFACE MOUNT KIT, ADJUSTABLE LUMEN & CRI	LITHONIA LIGHTING	CPANL-1x4-AL01-SWW7-M4-DG14 ACC: DDMK14	120V	LED 3500K CRI>80	38.7W	4881/60000
N	330mm SUSPENDED LED HIGH BAY LUMINAIRE, WHITE DIE-CAST ALUMINUM HOUSING, WET LOCATION (IP65), C/W WIRE GUARD.	LITHONIA LIGHTING	JEBL-24000LM-GL-MVOLT-40K-80CRI ACC: WCX	120V	LED 4000K CRI>80	174W	24181/54000

NOTE: ELECTRICAL CONTRACTOR IS RESPONSIBLE TO SUPPLY LUMINAIRE AS SPECIFIED IN DESCRIPTION AND MODEL NUMBER. IF ANY DISCREPANCY BETWEEN DESCRIPTION & MODEL NUMBER, CONTACT CONSULTANT PRIOR TO TENDER CLOSING.

HEATER SCHEDULE

TYPE	DESCRIPTION	MANUFACTURER	MODEL	VOLTAGE	WATTS	PH	MOUNTING	CONTROLS	COMMENTS
A	WALL FAN HEATER	OUELLET	OVS0752	240	750	1	WALL	LINE VOLTAGE THERMOSTAT	SURFACE MOUNT KIT
B	UNIT HEATER	OUELLET	OAE2000 AM-E0-TB6	208	1500	1	WALL	BUILT-IN	
C	WALL FAN HEATER	OUELLET	OAC1500-T	240	1500	1	WALL	LINE VOLTAGE THERMOSTAT	SURFACE MOUNT KIT
D	BASEBOARD	OUELLET	OFM 0750	240	750	1	WALL	LINE VOLTAGE THERMOSTAT	
E	CEILING FAN HEATER	OUELLET	OACP1500	240	1500	1	CEILING	LINE VOLTAGE THERMOSTAT	
F	CEILING FAN HEATER	OUELLET	OACP3000	240	3000	1	CEILING	LINE VOLTAGE THERMOSTAT	
G	BASEBOARD	OUELLET	OFM 1250	240	1250	1	WALL	24V CONTROL	
H	UNIT HEATER	OUELLET	OAE3000 AM-E0-TB6	240	3000	1	WALL	BUILT-IN	

PANEL "C" (SUPPLIED BY OWNER)		EATON PRL1g		
POWER SUPPLY: 120/240V, 1Ø-3W		A	B	
MAINS: 100A MAIN BREAKER, SERVICE ENTRANCE RATED, NEMA 3R		430	1,000	
BRANCH BREAKERS: 24 CCT, 10kAIC				
DESCRIPTION	LOAD	NEW BREAK	LOAD	DESCRIPTION
SPARE	0	15	1	RECEPTACLE STAGE
SPARE	0	15	3	RECEPTACLE
LIGHTING STAGE	230	15	5	SPARE
RECEPTACLE STAGE	200	20	7	RECEPTACLE STAGE
	0	9	10	
	0	11	12	
	0	13	14	
	0	15	16	
	0	17	18	
	0	19	20	
	0	21	22	
	0	23	24	
TOTAL LOAD: 1,430W				

(1) - GFCI CIRCUIT BREAKER PANEL AND BREAKERS SUPPLIED BY OWNER

NEW PANEL "B"		EATON #PRL1g		
POWER SUPPLY: 120/240V, 1Ø-3W		A	B	
MAINS: 400A C/W 400A MAIN BREAKER, 22kAIC		27,175	23,780	
BRANCH BREAKERS: 84 CCT, 10kAIC				
DESCRIPTION	LOAD	NEW BREAK	LOAD	DESCRIPTION
LIGHTS WASHROOMS & CHANGING RM	310	15	1	OUTDOOR LIGHTING
LIGHTS ROOMS 112, 108, 102, 101, 109	560	15	3	OUTDOOR RECEPTACLE
LIGHTS ROOMS 103, 104, 105, 113	525	15	5	REFRIGERATOR
HEATING ROOM 106, 107, 112	2250	30	7	REFRIGERATOR
	2250	2P	9	RECEPTACLE OFFICE 105
HEATING WASHROOM 110 & 111	2250	30	11	RECEPTACLE JANITOR CLOSET & KITCHEN
	2250	2P	13	HOUSEKEEPING RECEPTACLE
HEATING ROOM 102	2500	30	15	RECEPTACLE MULTI-PURPOSE
	2500	2P	17	RECEPTACLES WASHROOMS
HEATING ROOM 103, 104 & 105	2250	30	19	RECEPTACLES CHANGING ROOM
	2250	2P	21	RECEPTACLES ZAMBONIE
HEATING ZAMBONI STORAGE	1500	20	23	RECEPTACLES ZAMBONIE
	1500	2P	25	HAND DRYER
HEATING ZAMBONI STORAGE	1500	20	27	HAND DRYER
	1500	2P	29	SPLASH PAD
HEATING ENTRANCE, ELECTRICAL ROOM & BATHROOM	2250	30	31	SECURITY ALARM PANEL
	2250	2P	33	EXIT SIGNS
HOT WATER TANK "HWT-2"	6000	70	35	SPARE
	6000	2P	37	RECEPTACLE MECH./ELEC. ROOM
SANDWICH REFRIDGERATOR	500	15	39	COMMUNICATION CABINET
SANDWICH REFRIDGERATOR	500	15	41	MICROWAVE
ROOF TOP RECEPTACLE	200	20	43	RECEPTACLE KITCHEN
HOT WATER TANK "HWT-1"	2250	25	45	RECEPTACLE KITCHEN
	2250	2P	47	HEAT RECOVERY VENTILATION "HRV-1"
TRAP PRIMER	50	15	49	MOTORIZED DAMPER & TIME CLOCK
FIRE SUPPRESSION SYSTEM	50	15	51	RECEPTACLE KITCHEN
OUTDOOR UNIT "OU-1"	1500	45	53	LIGHTS ICE RINK
	1500	2P	55	LIGHTS ICE RINK
DOOR OPERATOR	1000	15	57	LIGHTS ICE RINK
HAND DRYER	1000	15	59	PANEL "C"
HAND DRYER	1000	15	61	
DOOR OPERATOR	1000	25	63	
INDOOR UNIT	250	15	65	KITCHEN HOOD
	250	2P	67	MAKEUP AIR UNIT
KITCHEN EXHAUST "EF-1"	1200	25	69	
	1200	2P	71	FIRE PLACE
	0	73	74	
	0	75	76	
	0	77	78	
	0	79	80	
	0	81	82	
	0	83	84	
TOTAL LOAD: 79,815W				

(1) PROVIDE BREAKER LOCK
(2) SHUNT TRIP BREAKER
(3) GFCI BREAKER

ARCHITECTS:

EVOQ

1435, RUE SAINT-ALEXANDRE, BUREAU 1000
MONTRÉAL (QUÉBEC) H3A 2G4
T. 514-393-9490 F. 514-393-9498
info@evoqarchitecture.com

ENGINEERS:



#493-18-4A

CLIENT:

Red Island Contractors Inc.
305, Route 390, Tobique First Nation, NB, E7H 4P7

N°	DESCRIPTION:	BY	DATE
1	ISSUED FOR CONSTRUCTION	L.N.	2022-09-23
0	ISSUED FOR TENDER	L.N.	2022-05-27
A	ISSUED FOR 50% REVIEW	J.O.	2021-06-18

GENERAL NOTES:

- THE GENERAL CONTRACTOR IS RESPONSIBLE FOR VERIFYING ALL DIMENSIONS ON SITE TO ENSURE CONFORMITY WITH THE DIMENSIONS GIVEN ON THE DRAWINGS.
- THE GENERAL CONTRACTOR IS RESPONSIBLE TO IMMEDIATELY SUBMIT A REPORT TO THE ARCHITECT OR ENGINEER WITH ANY INACCURACIES.
- THE GENERAL CONTRACTOR SHOULD NOT TAKE SCALED MEASUREMENTS OFF THE DRAWINGS.
- ANY INDIVIDUAL OR FIRM THAT HAVE RECEIVED ELECTRONIC DOCUMENT USE THEM AT THEIR OWN RISK. ONLY ORIGINAL DRAWINGS, STAMPED BY THE ARCHITECT, CAN BE USED FOR CONSTRUCTION.

SEAL

© 2016, EVOQ architecture inc.

Copyright of this document belongs to EVOQ architecture inc. This document may not be forwarded to others, transmitted, downloaded, reproduced nor adapted in any format, whether print or electronic, without the prior written authorization of EVOQ architecture inc. All ideas and other information in this document are specific to this project and may not be used elsewhere without the written authorization of EVOQ architecture inc.

PROJECT:

KCIW KNICANEWEK SPORTS AND RECREATION PARK - PHASE 2

DRAWING TITLE:

-ELECTRICAL-
SCHEDULES

DESIGN: M. DOUCET

APPROVED: M. DOUCET

DRAWN: L.N./J.O.

DATE: 2021-05-01

VERIFIED: M. DOUCET

SCALE: AS SHOWN

PROJECT N°:

DRAWING N°:

9223-18-00

E7