

**NOTES:**

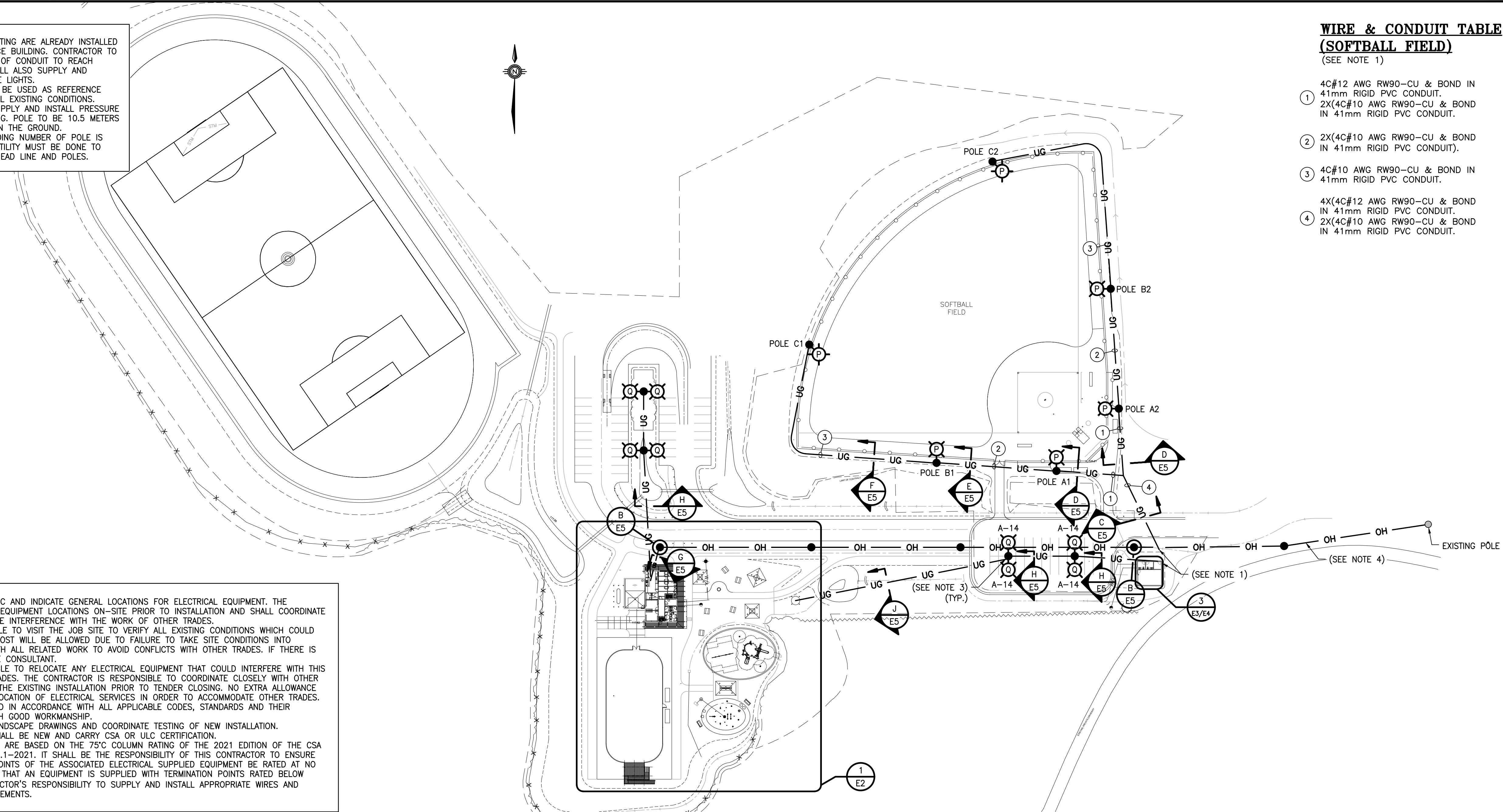
1. CONDUITS FOR BASEBALL FIELD LIGHTING ARE ALREADY INSTALLED AND ARE LOCATED NEAR THE SERVICE BUILDING. CONTRACTOR TO SUPPLY AND INSTALL FINAL LENGTH OF CONDUIT TO REACH SERVICE BUILDING. CONTRACTOR SHALL ALSO SUPPLY AND INSTALL WIRING IN CONDUIT FOR THE LIGHTS.
2. CONDUIT PATH IS DIAGRAMMATIC, TO BE USED AS REFERENCE ONLY. CONTRACTOR TO CONSIDER ALL EXISTING CONDITIONS. CONTRACTOR IS RESPONSIBLE TO SUPPLY AND INSTALL PRESSURE TREATED POLE FOR PARKING LIGHTING. POLE TO BE 10.5 METERS LONG WITH 3.5 METERS INSTALLED IN THE GROUND.
3. LOCATION OF OVERHEAD LINE INCLUDING NUMBER OF POLE IS APPROXIMATE. COORDINATION WITH UTILITY MUST BE DONE TO CONFIRM EXACT LOCATION OF OVERHEAD LINE AND POLES.

**GENERAL NOTES:**

1. THE DRAWINGS ARE DIAGRAMMATIC AND INDICATE GENERAL LOCATIONS FOR ELECTRICAL EQUIPMENT. THE CONTRACTOR SHALL VERIFY ALL EQUIPMENT LOCATIONS ON-SITE PRIOR TO INSTALLATION AND SHALL COORDINATE LOCATIONS SO AS NOT TO CAUSE INTERFERENCE WITH THE WORK OF OTHER TRADES.
2. THE CONTRACTOR IS RESPONSIBLE TO VISIT THE JOB SITE TO VERIFY ALL EXISTING CONDITIONS WHICH COULD AFFECT THE WORK. NO EXTRA COST WILL BE ALLOWED DUE TO FAILURE TO TAKE SITE CONDITIONS INTO CONSIDERATION. BE FAMILIAR WITH ALL RELATED WORK TO AVOID CONFLICTS WITH OTHER TRADES. IF THERE IS ANY CONFLICTS, REPORT TO THE CONSULTANT.
3. THIS CONTRACTOR IS RESPONSIBLE TO RELOCATE ANY ELECTRICAL EQUIPMENT THAT COULD INTERFERE WITH THIS WORK AND WORK OF OTHER TRADES. THE CONTRACTOR IS RESPONSIBLE TO COORDINATE CLOSELY WITH OTHER TRADES AND BE FAMILIAR WITH THE EXISTING INSTALLATION PRIOR TO TENDER CLOSING. NO EXTRA ALLOWANCE WILL BE ALLOWED FOR THE RELOCATION OF ELECTRICAL SERVICES IN ORDER TO ACCOMMODATE OTHER TRADES.
4. ALL WORK SHALL BE PERFORMED IN ACCORDANCE WITH ALL APPLICABLE CODES, STANDARDS AND THEIR AMENDMENTS, IN A MANNER WITH GOOD WORKMANSHIP.
5. REVIEW MECHANICAL, CIVIL & LANDSCAPE DRAWINGS AND COORDINATE TESTING OF NEW INSTALLATION.
6. ALL NEW MATERIAL SUPPLIED SHALL BE NEW AND CARRY CSA OR UL/C CERTIFICATION.
7. ALL WIRES AND CONDUITS SIZES ARE BASED ON THE 75°C COLUMN RATING OF THE 2021 EDITION OF THE CANADIAN ELECTRICAL CODE C22.1-2021. IT SHALL BE THE RESPONSIBILITY OF THIS CONTRACTOR TO ENSURE THAT ALL CABLE TERMINATION POINTS OF THE ASSOCIATED ELECTRICAL SUPPLIED EQUIPMENT BE RATED AT NO LESS THAN 75°C. IN THE EVENT THAT AN EQUIPMENT IS SUPPLIED WITH TERMINATION POINTS RATED BELOW 75°C, IT SHALL BE THIS CONTRACTOR'S RESPONSIBILITY TO SUPPLY AND INSTALL APPROPRIATE WIRES AND CONDUITS AS PER CODE REQUIREMENTS.

**WIRE & CONDUIT TABLE  
(SOFTBALL FIELD)**  
(SEE NOTE 1)

1. 4C#12 AWG RW90-CU & BOND IN 41mm RIGID PVC CONDUIT.  
2X(4C#10 AWG RW90-CU & BOND IN 41mm RIGID PVC CONDUIT.
2. 2X(4C#10 AWG RW90-CU & BOND IN 41mm RIGID PVC CONDUIT).
3. 4C#10 AWG RW90-CU & BOND IN 41mm RIGID PVC CONDUIT.
4. 4X(4C#12 AWG RW90-CU & BOND IN 41mm RIGID PVC CONDUIT.  
2X(4C#10 AWG RW90-CU & BOND IN 41mm RIGID PVC CONDUIT.



**SITE PLAN**  
SCALE: 1:750

ARCHITECTS:  
**EVOQ**  
1435, RUE SAINT-ALEXANDRE, BUREAU 1000  
MONTREAL (QUEBEC) H3A 2G4  
T: 514-393-9490 F: 514-393-9498  
info@evoqarchitecture.com

ENGINEERS:  
**ROY CONSULTANTS**  
13, rue Costigan Street  
Edmundston (NB) E3V 1W7  
T / 506.733.7330  
F / 506.548.2207  
#493-18-4A

CLIENT:  
Red Island Contractors Inc.  
305, Route 390, Tobique First Nation, NB, E7H 4P7

NO.	DESCRIPTION	BY	DATE
0	ISSUED FOR TENDER	L.N.	2022-05-27
A	ISSUED FOR 50% REVIEW	J.O.	2021-06-18

- GENERAL NOTES :**
1. THE GENERAL CONTRACTOR IS RESPONSIBLE FOR VERIFYING ALL DIMENSIONS ON SITE TO ENSURE CONFORMITY WITH THE DIMENSIONS GIVEN ON THE DRAWINGS.
  2. THE GENERAL CONTRACTOR IS RESPONSIBLE TO IMMEDIATELY SUBMIT A REPORT TO THE ARCHITECT OR ENGINEER WITH ANY INACCURACIES.
  3. THE GENERAL CONTRACTOR SHOULD NOT TAKE SCALED MEASUREMENTS OFF THE DRAWINGS.
  4. ANY INDIVIDUAL OR FIRM THAT HAVE RECEIVED ELECTRONIC DOCUMENT USE THEM AT THEIR OWN RISK. ONLY ORIGINAL DRAWINGS, STAMPED BY THE ARCHITECT, CAN BE USED FOR CONSTRUCTION.

SEAL  
REGISTERED PROFESSIONAL ENGINEER  
M8514  
Mathieu A. Doucet  
2022-05-27  
INGENIEUR IMMATRICULE

© 2016, EVOQ architecture inc.  
Copyright of this document belongs to EVOQ architecture inc. This document may not be forwarded to others. It is prohibited, downloaded, reproduced, nor adapted in any format, whether print or electronic, without the prior written authorization of EVOQ architecture inc. All ideas and other information in this document are specific to this project and may not be used elsewhere without the written authorization of EVOQ architecture inc.

PROJECT:  
**KCIW KNICANEWEK SPORTS AND RECREATION PARK - PHASE 2**

DRAWING TITLE:  
**-ELECTRICAL-  
SITE PLAN &  
LEGEND**

DESIGN: M. DOUCET APPROVED: M. DOUCET  
DRAWN: L.N./J.O. DATE: 2021-05-01  
VERIFIED: M. DOUCET SCALE: AS SHOWN  
PROJECT NO: 9223-18-00 DRAWING NO: E1

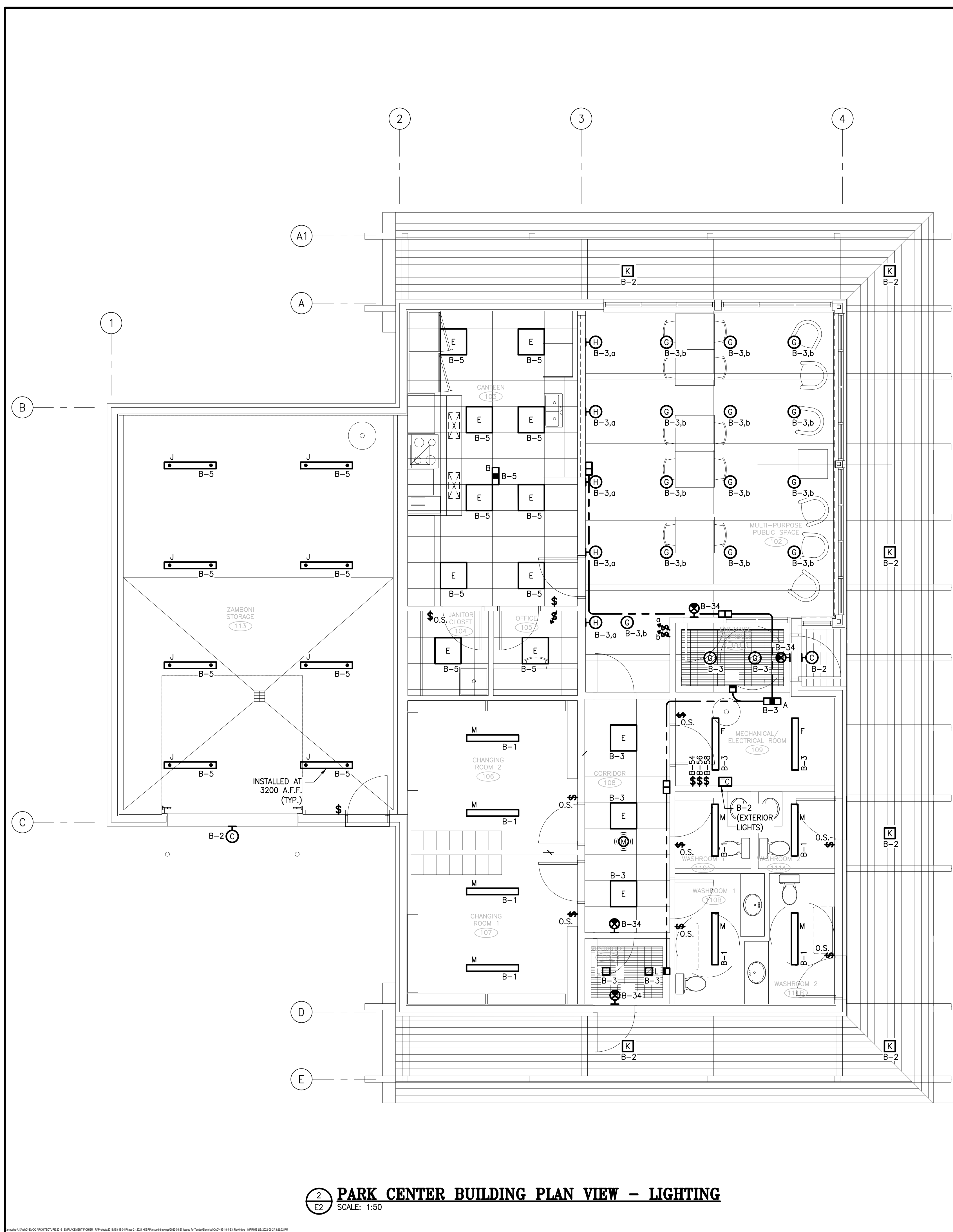
**ELECTRICAL LEGEND**

SYMBOL	DESCRIPTION	SYMBOL	DESCRIPTION	SYMBOL	DESCRIPTION	SYMBOL	DESCRIPTION
	GROUND WIRING		DIMMER SWITCH		DATA OUTLET CAT.6 50x100x100mm BOX C/W PLASTER RING, 27mm CONDUIT UP TO ACCESSIBLE CEILING SPACE, NYLON BUSHING AT END, CAT.6 TO COMMUNICATION RACK		MOTORIZED DAMPER (BY DIV.23, 120V WIRING BY DIV.26)
	OVERHEAD WIRING (BY UTILITY)		TIMER CLOCK SUCH AS INTERMATIC ET2725CP		# - INDICATES MECHANICAL EQUIPMENT NUMBER		ELECTRICAL THERMOSTAT MECHANICAL LINE VOLTAGE RA - HONEYWELL T651A OR APPROVED EQUAL TP - TAMPER PROOF COVER
	UNDERGROUND WIRING		CEILING MOUNTED OCCUPANCY SENSOR I) - INDICATES ORIENTATION OF DETECTION		AUDIO SPEAKER SUCH AS TOA #SC-630		LOW VOLTAGE THERMOSTAT (BY DIV.23)
	CONDUIT TURNING UP		POLE MOUNTED LUMINAIRE WITH ARM P - BASEBALL FIELD LIGHTING (SUPPLIED AND INSTALLED BY OTHER, WIRING BY THIS CONTRACTOR) Q - PARKING LIGHTS (LUMINAIRE AND MOUNTING ARM SUPPLIED BY OTHERS) ALL OTHER MATERIAL (POLE, WIRING, MOUNTING HARDWARE, ETC...), SUPPLIED, INSTALLED AND WIRED BY THIS CONTRACTOR		DOOR OPERATOR PUSHBUTTON (BY DIV.8, WIRED BY DIV.28) DOOR OPERATOR (BY DIV.8, WIRED BY DIV.28) DOOR KEYSWITCH (BY DIV.8, WIRED BY DIV.28) INTRUSION ALARM MOTION DETECTOR		F.A. SMOKE DETECTOR
	UTILITY POLE		20A/125V, 5-20R DUPLEX RECEPTACLE		CCTV CAMERA A - INTERIOR DOME CAMERA B - EXTERIOR CAMERA		JUNCTION BOX
	TYPE "T" THERMIT GROUND WELD		QUAD RECEPTACLE OUTLET WITH COMMON COVER PLATE		SECURITY DOOR CONTACT (BY DIV.8, WIRED BY DIV.28)		INFRARED DOOR SENSOR (BY DIV.8, WIRED BY DIV.26)
	THERMIT GROUND WELD TO HORIZONTAL STEEL		15A/125V, 5-15R DUPLEX U-GROUND RECEPTACLE		INTRUSION ALARM KEYPAD		SINGLE PHASE ELECTRIC MOTOR F - INDICATES FAN # - INDICATES HP
	THERMIT GROUND WELD TO 6x250x400mm GROUND PLATE		GFR - INDICATES GROUND FAULT CIRCUIT INTERRUPTER RECEPTACLE		SECURITY PANEL		PUSH BUTTON STATION (BY DIV.8, WIRED BY DIV.26)
	CEILING MOUNTED LUMINAIRE/POT LIGHT A - INDICATES TYPE (SEE SCHEDULE)		O.C. - INDICATES 150mm OVER BACKSPASH		ELECTRIC BASEBOARD HEATER A - INDICATES TYPE (SEE SCHEDULE)		DISCONNECT SWITCH # - INDICATES DISCONNECT SIZE F - INDICATES FUSE SIZE W.P. - INDICATES NEMA 3R
	WALL MOUNTED LUMINAIRE/POT LIGHT		W.P. - INDICATES WEATHERPROOF COVER WHILE-IN-USE		ELECTRIC UNIT HEATER A - INDICATES TYPE (SEE SCHEDULE)		UTILITY METER SOCKET
	PENDANT OR STEM MOUNTED LUMINAIRE/POT LIGHT		HAND DRYER SURFACE MOUNTED SUCH AS DYSON AIRBLADE V		SURFACE MOUNTED ELECTRIC FORCED AIR HEATER A - INDICATES TYPE (SEE SCHEDULE)		FLOOR MOUNTED COMMUNICATION RACK C - INDICATES COMMUNICATION
	LUMINAIRE ON EMERGENCY CIRCUIT NL - INDICATES UNSWITCHED NIGHT-LIGHT		LOCKABLE HP RATED TOGGLE DISCONNECT SWITCH		RECESS MOUNTED ELECTRIC FORCED AIR HEATER A - INDICATES TYPE (SEE SCHEDULE)		TEL. BACKBOARD DEMARCATION POINT BIX PANEL
	EMERGENCY BATTERY PACK DUAL HEAD LIGHTING UNIT A - INDICATES WALL MOUNTED SUCH AS READY LITE LDX-VQ SERIES OR APPROVED EQUAL B - INDICATES CEILING MOUNTED SUCH AS READY LITE LDX-T SERIES OR APPROVED EQUAL		WIRELESS DATA ACCESS POINT (DATA BY DIV.27, DEVICE BY OWNER)		ELECTRIC CEILING FORCED AIR HEATER A - INDICATES TYPE (SEE SCHEDULE)		RECESS MOUNTED ELECTRICAL PANELBOARD
	EMERGENCY DUAL REMOTE HEAD LIGHTING UNIT VQ SERIES		COMBINED DATA/TELEPHONE OUTLET CAT.6 50x100x100mm BOX C/W PLASTER RING, 27mm CONDUIT UP TO ACCESSIBLE CEILING SPACE, NYLON BUSHING AT END, CAT.6 TO COMMUNICATION RACK				
	EMERGENCY REMOTE HEAD LIGHTING UNIT VQ SERIES						
	SINGLE-POLE LIGHT SWITCH						
	A.T. - INDICATES ASTRONOMICAL TIMER SWITCH SUCH AS LEVITON VPT24-IPZ OR APPROVED EQUAL						
	O.S. - INDICATES OCCUPANCY SENSOR SWITCH						

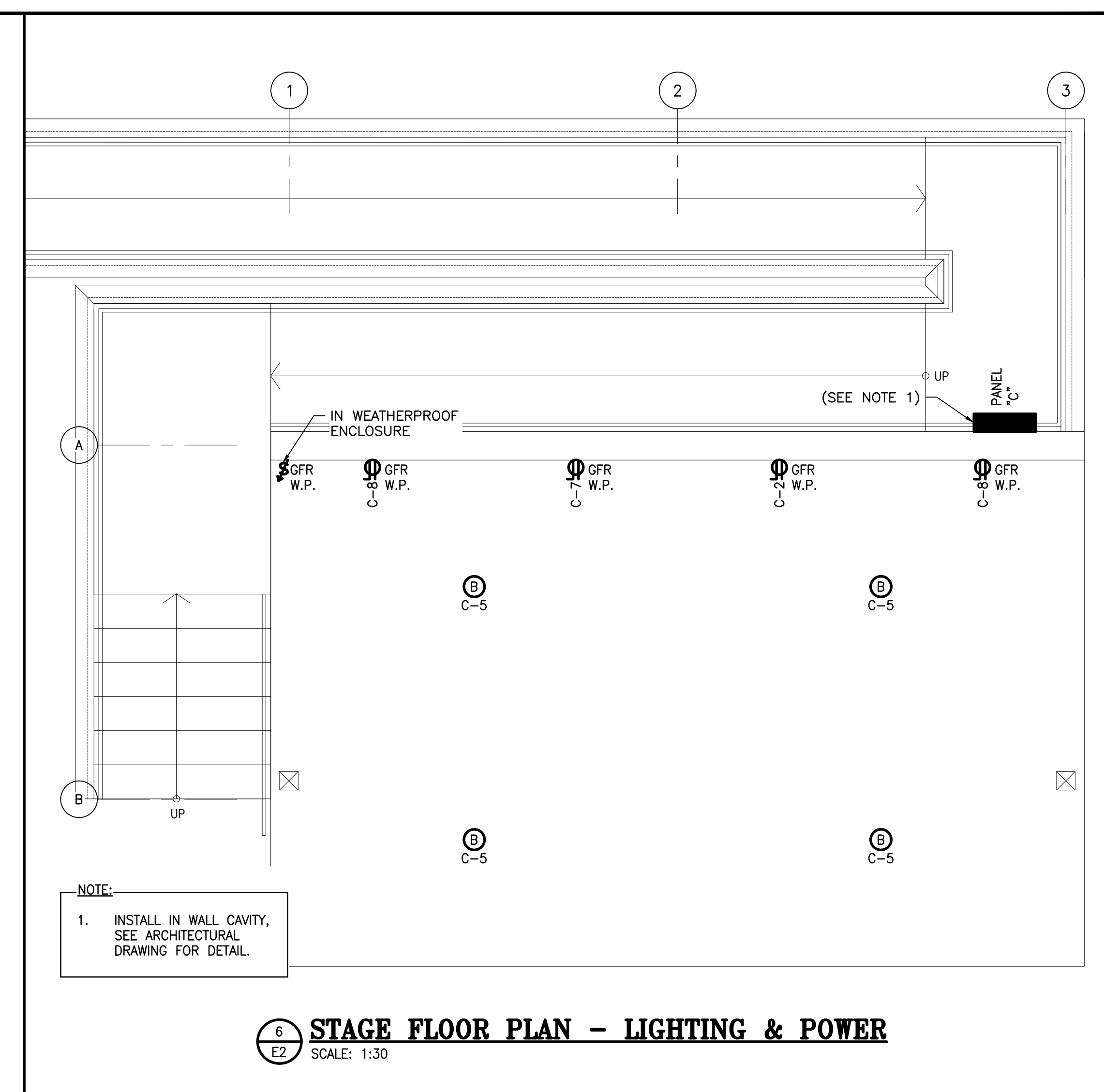




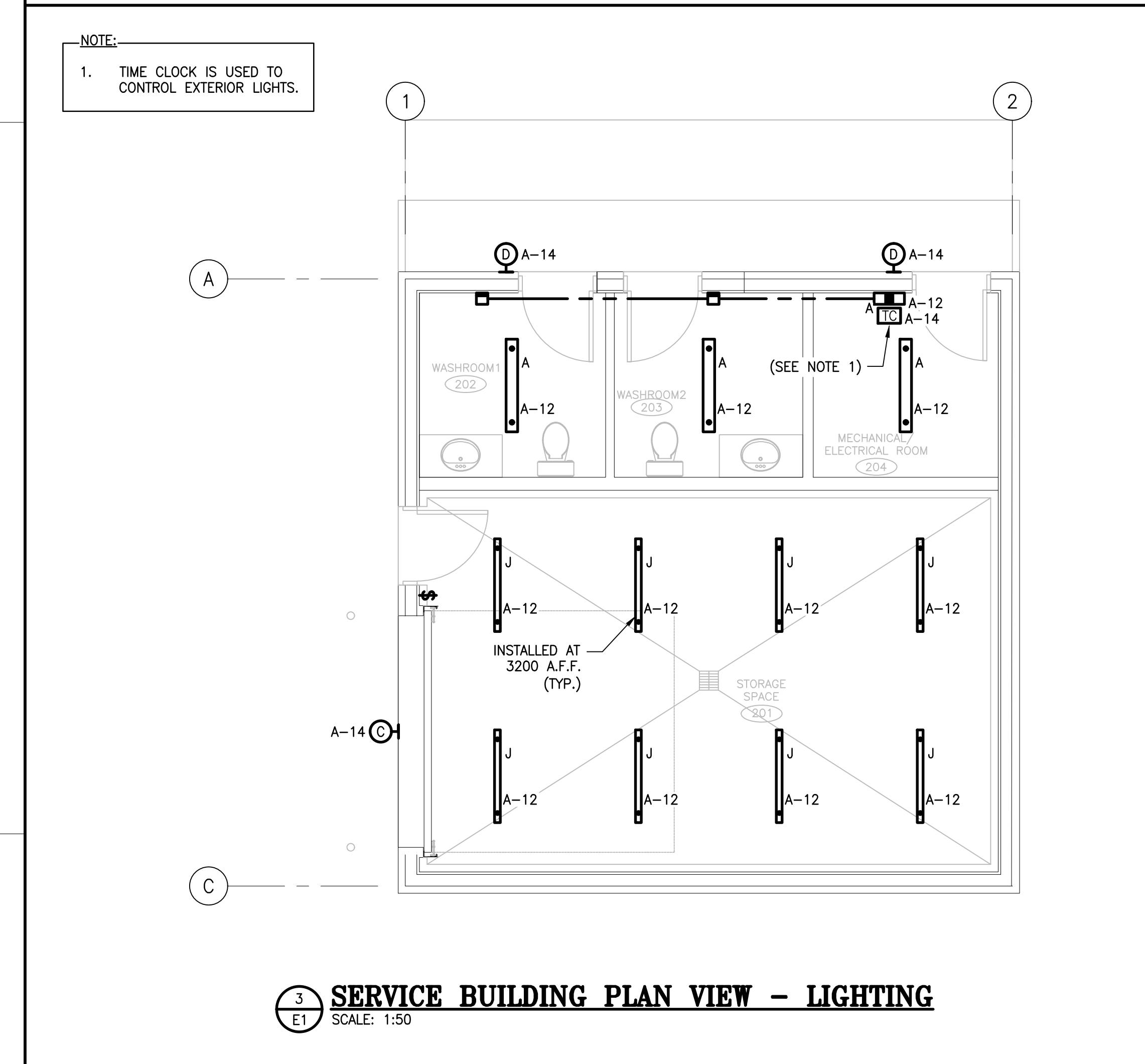




**2 PARK CENTER BUILDING PLAN VIEW - LIGHTING**  
 E2 SCALE: 1:50



**6 STAGE FLOOR PLAN - LIGHTING & POWER**  
 E2 SCALE: 1:30



**3 SERVICE BUILDING PLAN VIEW - LIGHTING**  
 E1 SCALE: 1:50

**EVOQ**  
 ARCHITECTS  
 1435, RUE SAINT-ALEXANDRE, BUREAU 1000  
 MONTRÉAL (QUÉBEC) H3A 2G4  
 T. 514-993-9490 F. 514-993-9498  
 info@evoqarchitecture.com

**ROY CONSULTANTS**  
 ENGINEERING SERVICES D'INGÉNIERIE  
 13, rue Costigan Street  
 Edmundston (NB) E3V 1W7  
 T. / 506.7379730  
 F. / 506.548.2207  
 #493-18-4A

CLIENT:  
 Red Island Contractors Inc.  
 305, Route 390, Tobique First Nation, NB, E7H 4P7

REVISION	DESCRIPTION	BY	DATE
0	ISSUED FOR TENDER	L.N.	2022-05-27
A	ISSUED FOR 50% REVIEW	J.O.	2021-06-18

- GENERAL NOTES:**
- THE GENERAL CONTRACTOR IS RESPONSIBLE FOR VERIFYING ALL DIMENSIONS ON SITE TO ENSURE CONFORMITY WITH THE DIMENSIONS GIVEN ON THE DRAWINGS.
  - THE GENERAL CONTRACTOR IS RESPONSIBLE TO IMMEDIATELY SUBMIT A REPORT TO THE ARCHITECT OR ENGINEER WITH ANY INACCURACIES.
  - THE GENERAL CONTRACTOR SHOULD NOT TAKE SCALED MEASUREMENTS OFF THE DRAWINGS.
  - ANY INDIVIDUAL OR FIRM THAT HAS RECEIVED ELECTRONIC DOCUMENT USE THEM AT THEIR OWN RISK. ONLY ORIGINAL DRAWINGS, STAMPED BY THE ARCHITECT, CAN BE USED FOR CONSTRUCTION.

SEAL  
 REGISTERED PROFESSIONAL ENGINEER  
 Province of New Brunswick  
**M8514**  
 Mathieu A. Doucet  
 2022-05-27  
 INGENIEUR IMMATRICULE

© 2016, EVOQ architecture inc.  
 Copyright of this document belongs to EVOQ architecture inc. This document may not be forwarded to others, transmitted, downloaded, reproduced, nor adapted in any format, whether print or electronic, without the prior written authorization of EVOQ architecture inc. All ideas and other information in this document are specific to this project and may not be used elsewhere without the written authorization of EVOQ architecture inc.

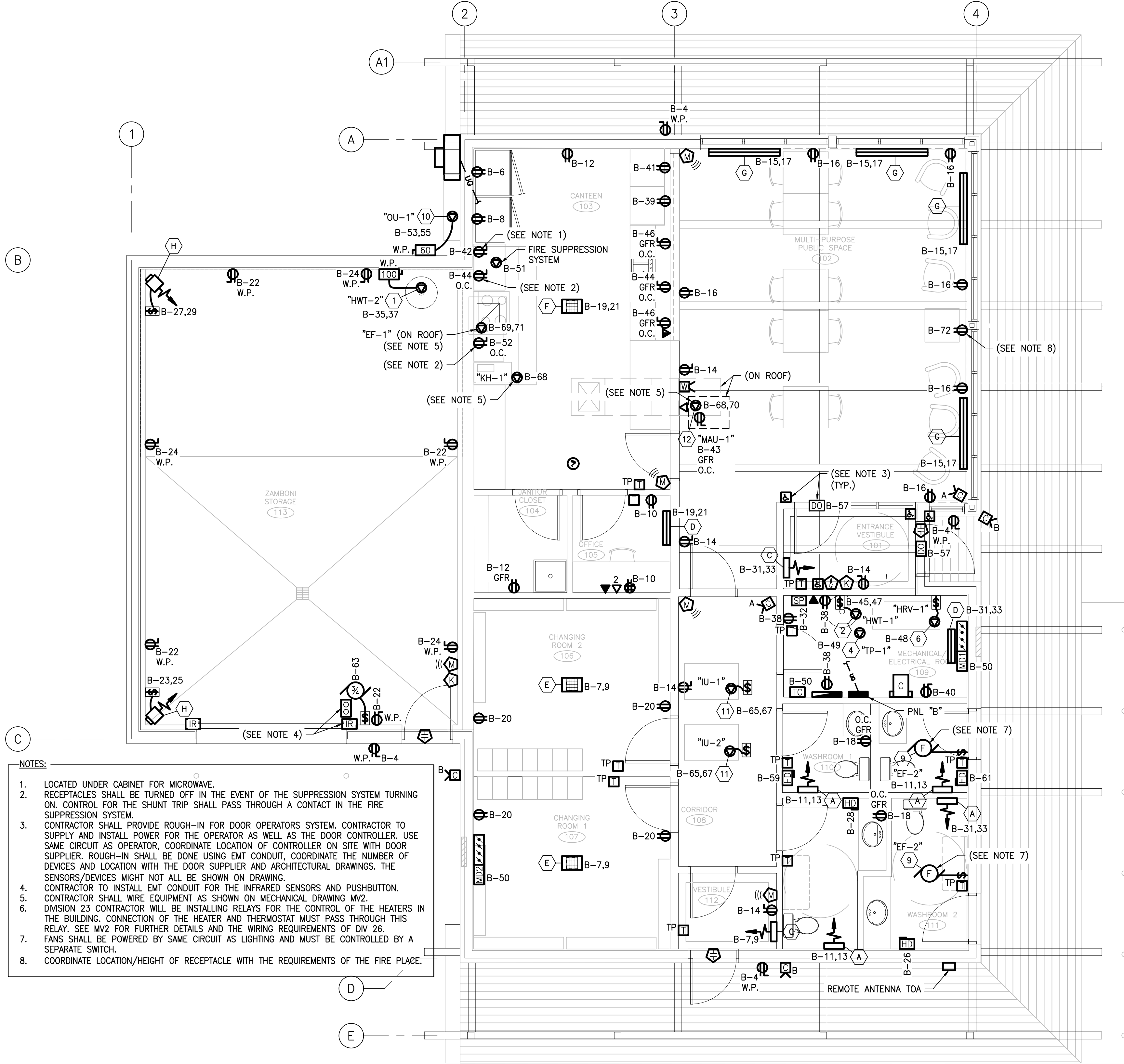
PROJECT:  
**KCIW KNICANEWEK SPORTS AND RECREATION PARK - PHASE 2**

DRAWING TITLE:  
**-ELECTRICAL- PLAN VIEWS LIGHTING & POWER**

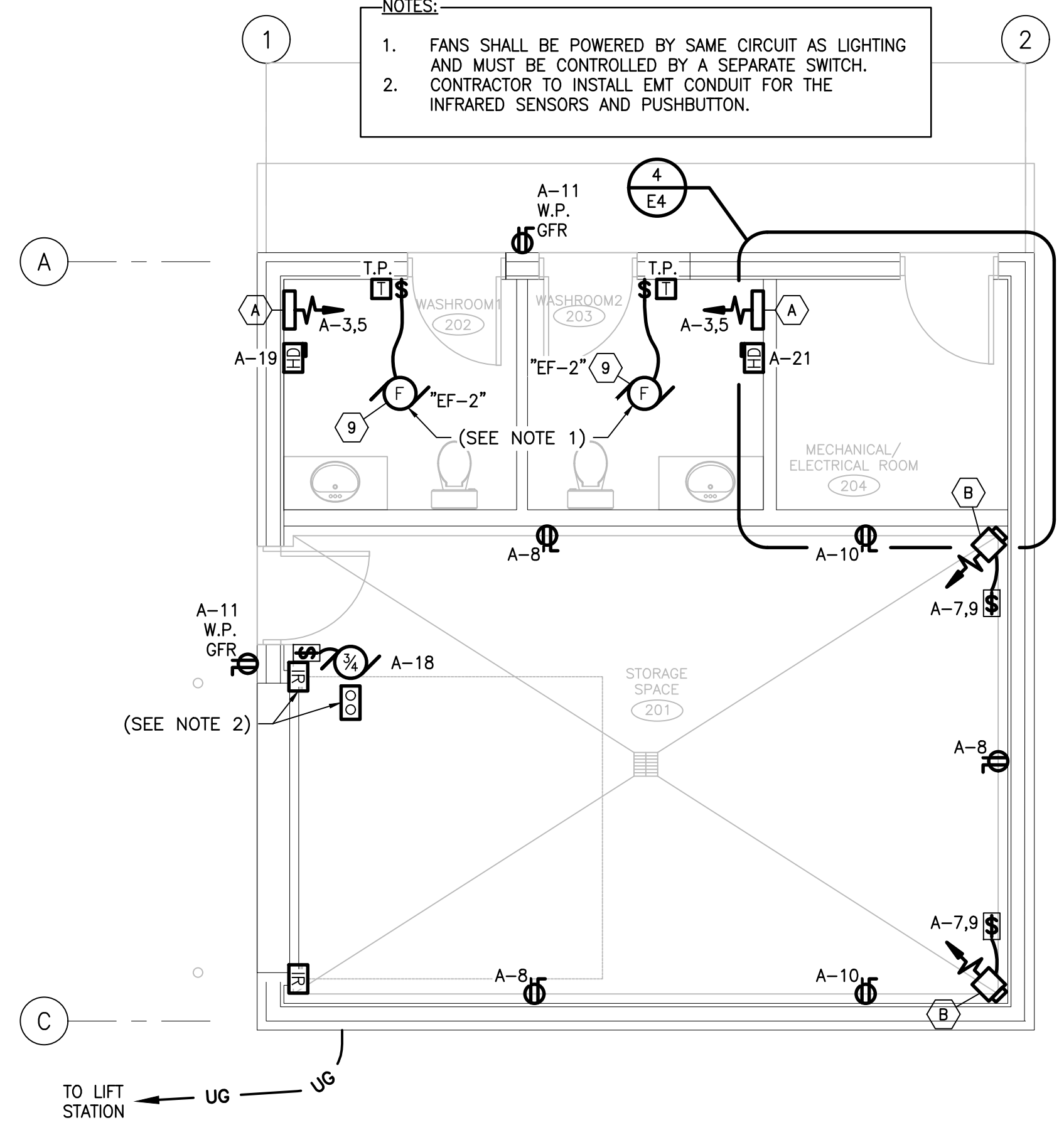
DESIGN: M. DOUCET APPROVED: M. DOUCET  
 DRAWN: L. N. / J. O. DATE: 2021-05-01  
 VERIFIED: M. DOUCET SCALE: AS SHOWN

PROJECT N°: **9223-18-00** DRAWING N°: **E3**

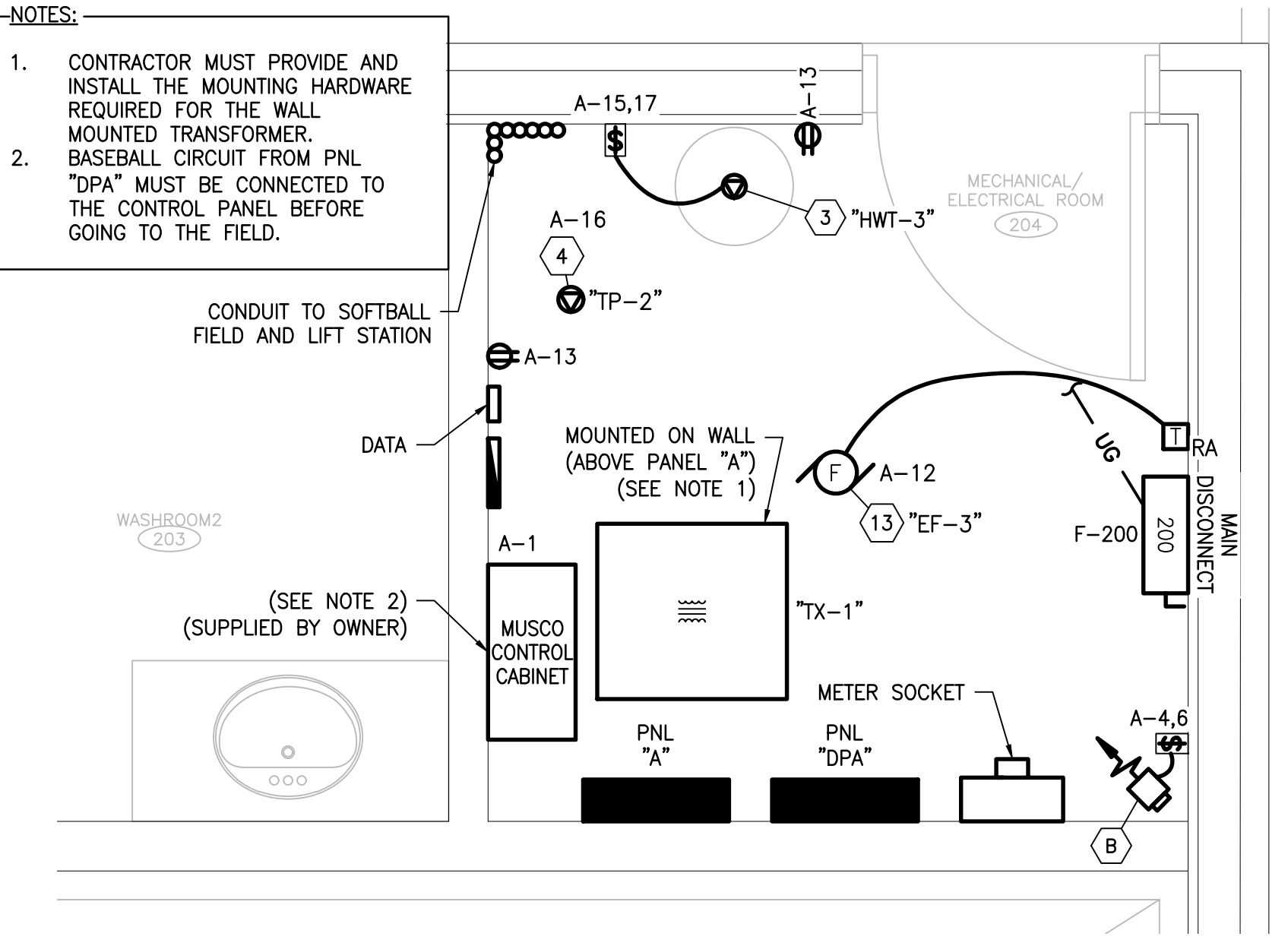




2 PARK CENTER BUILDING PLAN VIEW - POWER & COM. SCALE: 1:50



3 SERVICE BUILDING PLAN VIEW - POWER & COM. SCALE: 1:50



4 MECHANICAL ROOM PLAN VIEW - POWER & COM. SCALE: 1:20

NO.	DESCRIPTION	BY	DATE
0	ISSUED FOR TENDER	L.N.	2022-05-27
A	ISSUED FOR 50% REVIEW	J.O.	2021-06-18
N°:	REVISION:		

GENERAL NOTES:

- THE GENERAL CONTRACTOR IS RESPONSIBLE FOR VERIFYING ALL DIMENSIONS ON SITE TO ENSURE CONFORMITY WITH THE DIMENSIONS GIVEN ON THE DRAWINGS.
- THE GENERAL CONTRACTOR IS RESPONSIBLE TO IMMEDIATELY SUBMIT A REPORT TO THE ARCHITECT OR ENGINEER WITH ANY INACCURACIES.
- THE GENERAL CONTRACTOR SHOULD NOT TAKE SCALED MEASUREMENTS OFF THE DRAWINGS.
- ANY INDIVIDUAL OR FIRM THAT HAVE RECEIVED ELECTRONIC DOCUMENT USE THEM AT THEIR OWN RISK. ONLY ORIGINAL DRAWINGS, STAMPED BY THE ARCHITECT, CAN BE USED FOR CONSTRUCTION.

SEAL: **REGISTERED PROFESSIONAL ENGINEER**  
 M8514  
 Mathieu A. Doucet  
 2022-05-27  
 Ingénieur Immatriculé

© 2016, EVOQ architecture inc.  
 Copyright of this document belongs to EVOQ architecture inc. This document may not be forwarded to others, transmitted, downloaded, reproduced nor adapted in any format, whether print or electronic, without the prior written authorization of EVOQ architecture inc. All ideas and other information in this document are specific to this project and may not be used elsewhere without the written authorization of EVOQ architecture inc.

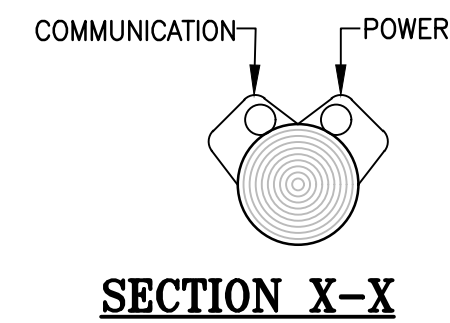
PROJECT:  
 KCIW KNICANEWEK SPORTS AND RECREATION PARK - PHASE 2

DRAWING TITLE:  
 -ELECTRICAL-  
 PLAN VIEWS POWER & COMMUNICATION

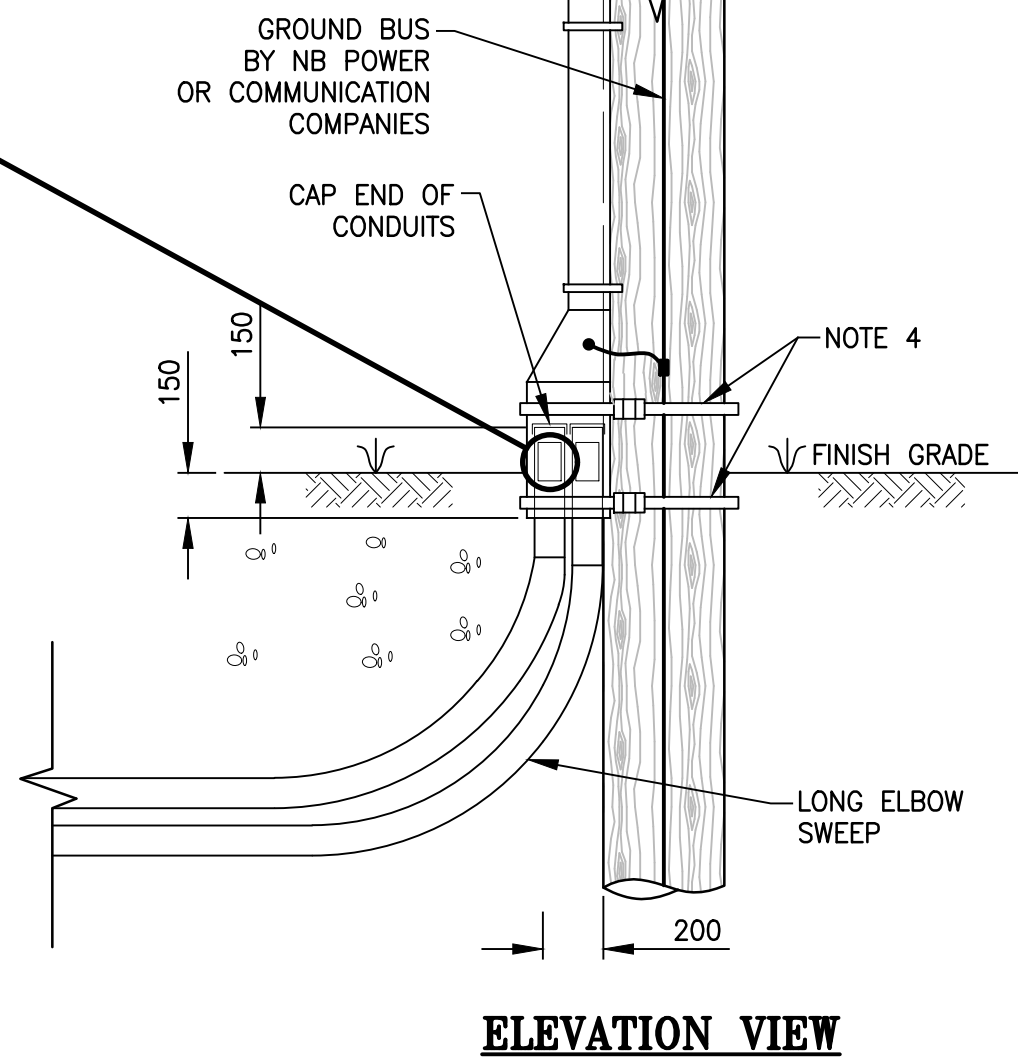
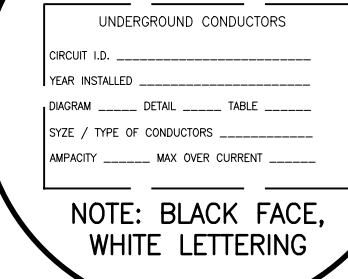
DESIGN: M. DOUCET APPROVED: M. DOUCET  
 DRAWN: L. N. / J. O. DATE: 2021-05-01  
 VERIFIED: M. DOUCET SCALE: AS SHOWN

PROJECT N°: **9223-18-00** DRAWING N°: **E4**





**TYPICAL U/G SERVICE LAMICOID LABEL MARKING**  
N.T.S.

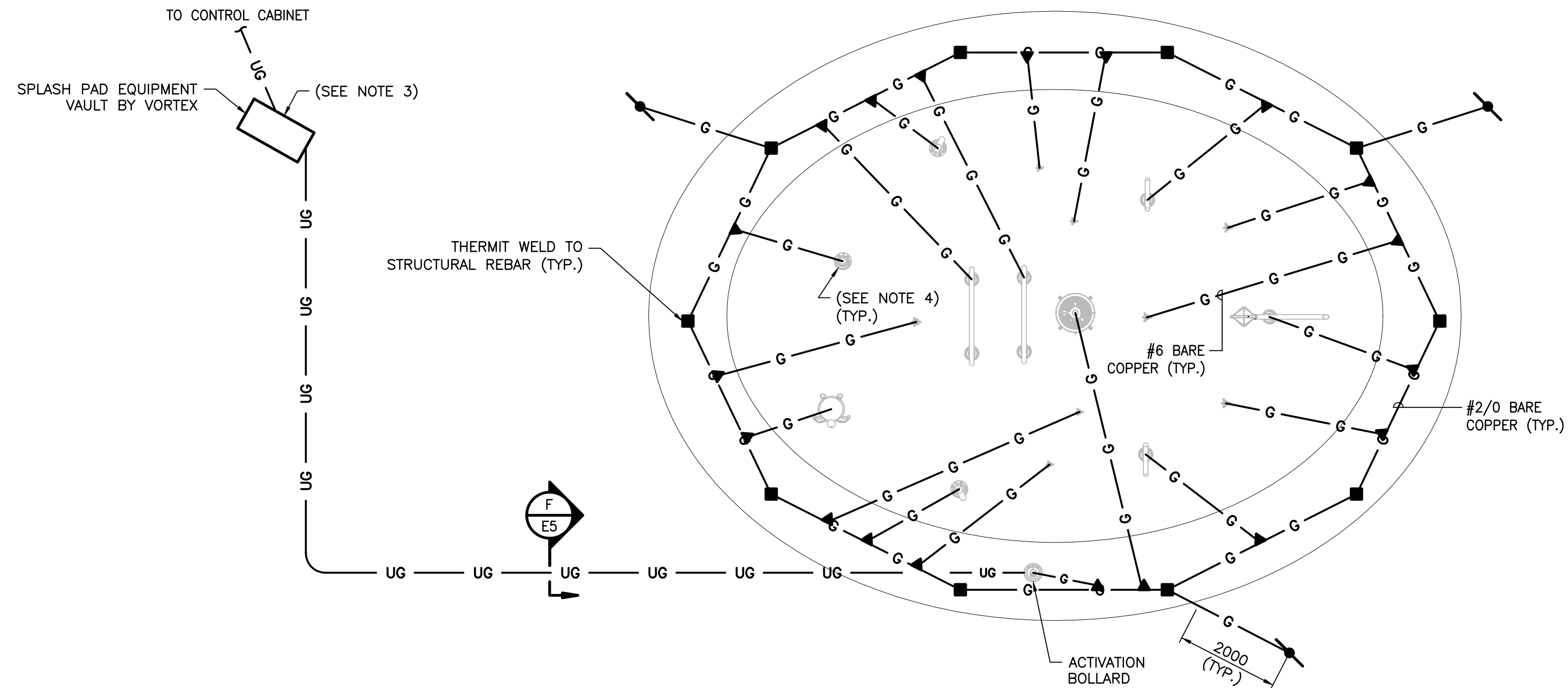


- NOTES:**
1. LOCATION OF DUCTS AT BASE OF POLE SHALL BE SPECIFIED BY NB POWER'S REGIONAL ENGINEERING & TELECOMMUNICATION COMPANIES.
  2. OVERLAP CABLE GUARD 50mm.
  3. CONDUIT SHALL BE EFFECTIVELY SEALED AT BOTH ENDS TO PREVENT ENTRANCE OF WATER AND GAS WHEN CONDUIT IS RUN INTO A BUILDING. THIS SHALL BE DONE AT INSTALLATION.
  4. STEEL BAND GUARD TO POLE.
  5. ALL SERVICE ENTRANCE CONDUITS SHALL BE MARKED WITH PERMANENTLY SECURED LAMICOID LABELS AT BOTH ENDS WITH A MINIMUM 76mm x 127mm POSTED NEAR O.C. AS PER DETAIL.

**B UNDERGROUND RISER PROTECTION FOR TWO DUCTS**  
SCALE: N.T.S.

**NOTES:**

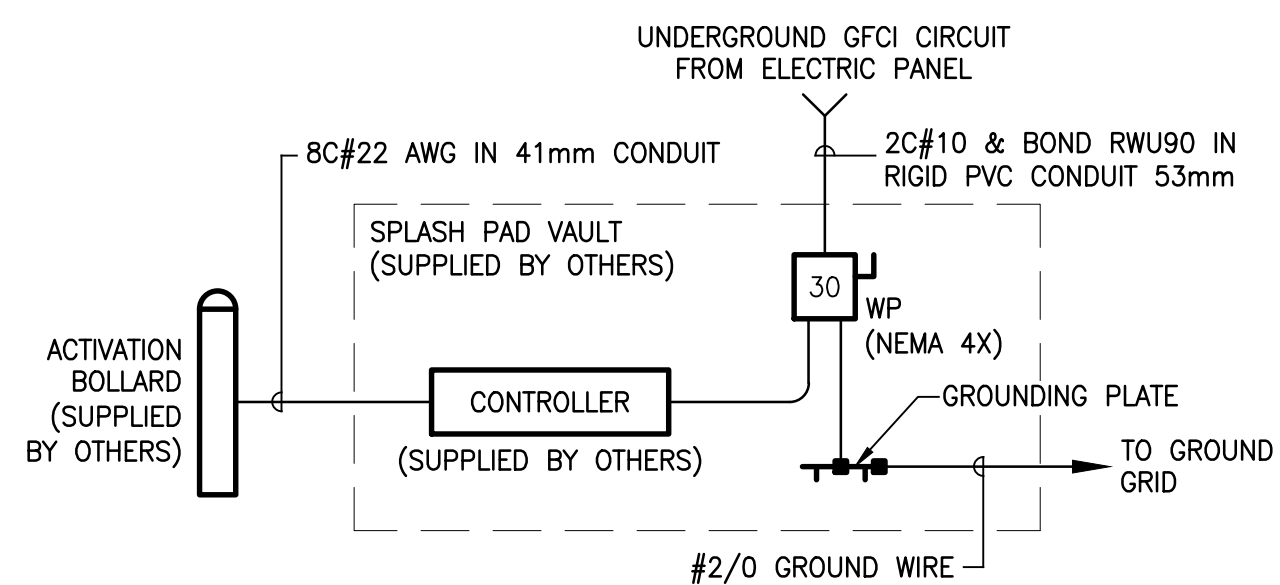
1. ALL CONNECTIONS TO THE CONTROLLER AND OTHER VORTEX ELECTRICAL PANEL SHALL BE PERFORMED USING WATERPROOF CONNECTORS.
2. SPLASH PAD EQUIPMENT LOCATION TO BE COORDINATED ON SITE WITH SPLASH PAD INSTALLER FOR EXACT LOCATION.
3. INSTALL TIN PLATED COPPER GROUND BUS IN VAULT. ALL CONNECTIONS SHALL BE THERMIT WELD.
4. TERMINATE TO EQUIPMENT USING EYE BOLT LUG, COORDINATE LOCATION AND SIZE WITH VORTEX SUPPLIER.
5. COPPER PLATES WILL BE SUPPLIED BY OWNER.



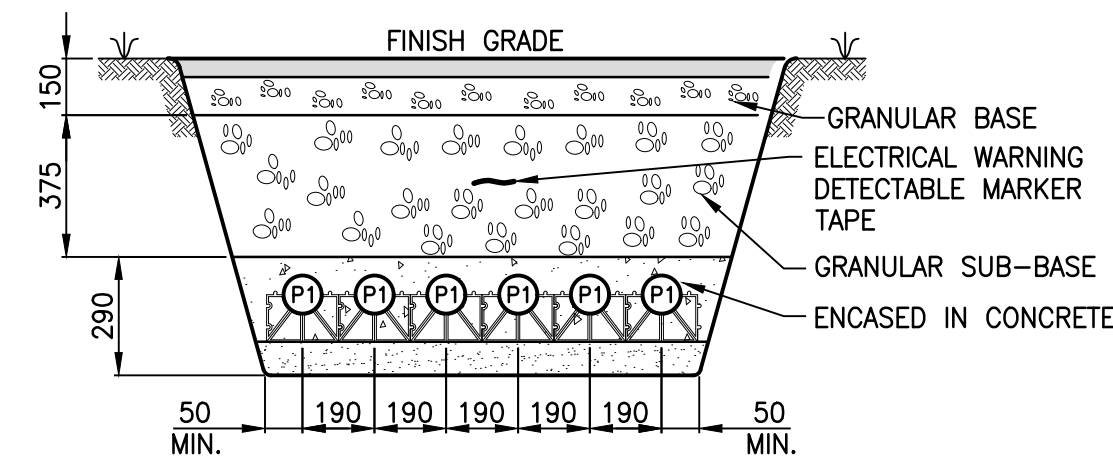
**7 SPLASH PAD ELECTRICAL DETAIL**  
SCALE: 1:75

**NOTES:**

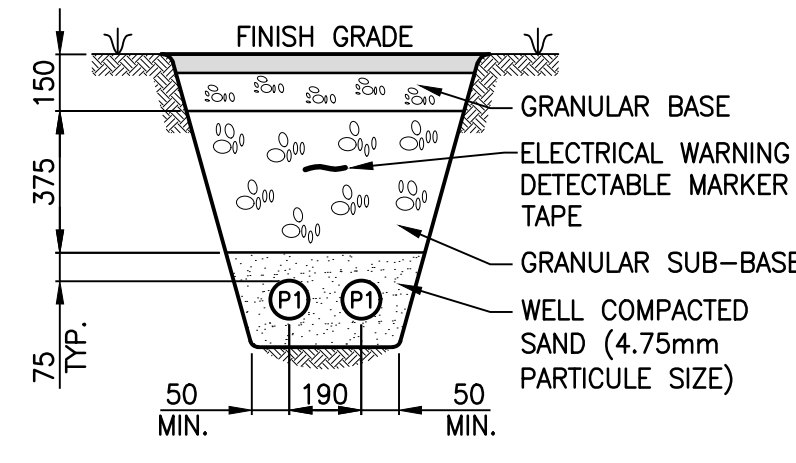
1. CONFIRM EXACT LOCATION OF DISCONNECT, GROUND BUS & ELECTRICAL ENTRY POINT WITH MANUFACTURER'S SHOP DRAWINGS PRIOR TO ROUGH-IN.
2. CONFIRM TERMINAL CONNECTIONS IN CONTROLLER WITH MANUFACTURER'S SHOP DRAWINGS PRIOR TO ROUGH-IN.
3. ALL CONNECTORS & INSTALLATION IN VAULT SHALL BE WATERPROOF.
4. WIRING FOR ACTIVATION BOLLARD FROM CONTROLLER PROVIDED BY VORTEX, INSTALLED BY THIS CONTRACTOR.
5. INSTALL DISCONNECT IN VAULT IF POSSIBLE. IF NOT, INSTALL IT ON THE EXTERIOR OF THE VAULT.



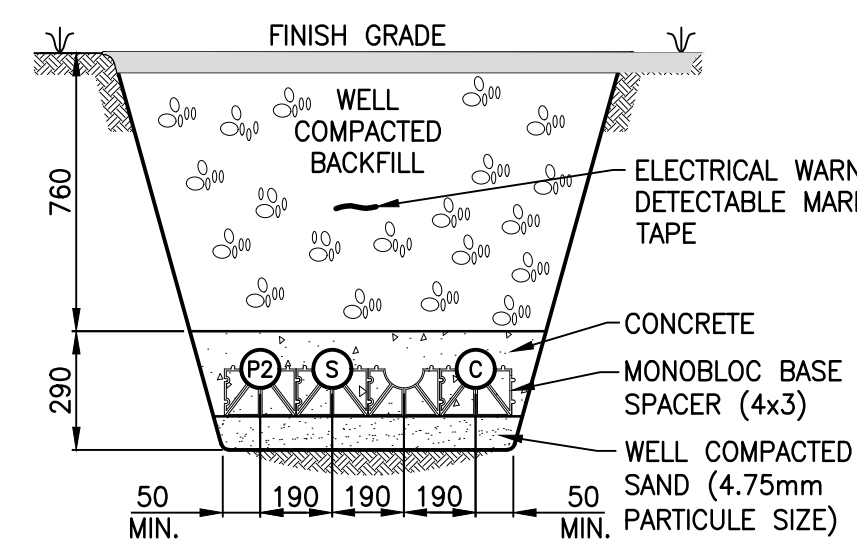
**SPLASH PAD ELECTRICAL SCHEMATIC**  
SCALE: N.T.S.



**C TRENCH DETAIL**  
SCALE: 1:20



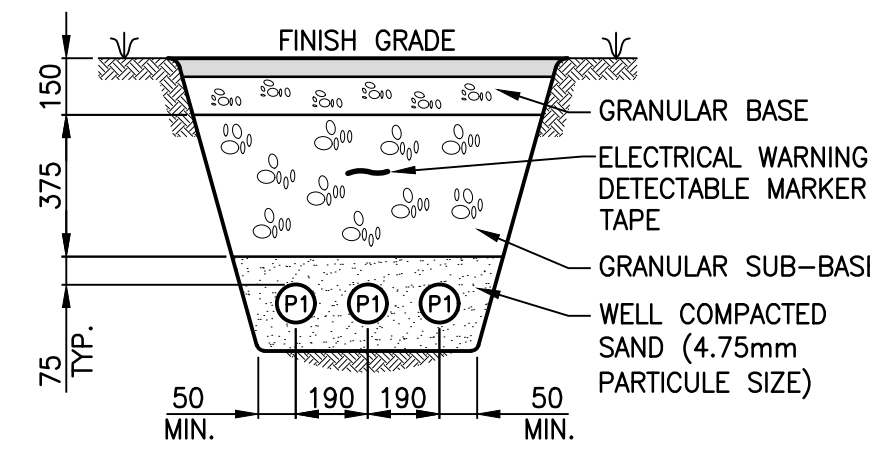
**E TRENCH DETAIL**  
SCALE: 1:20



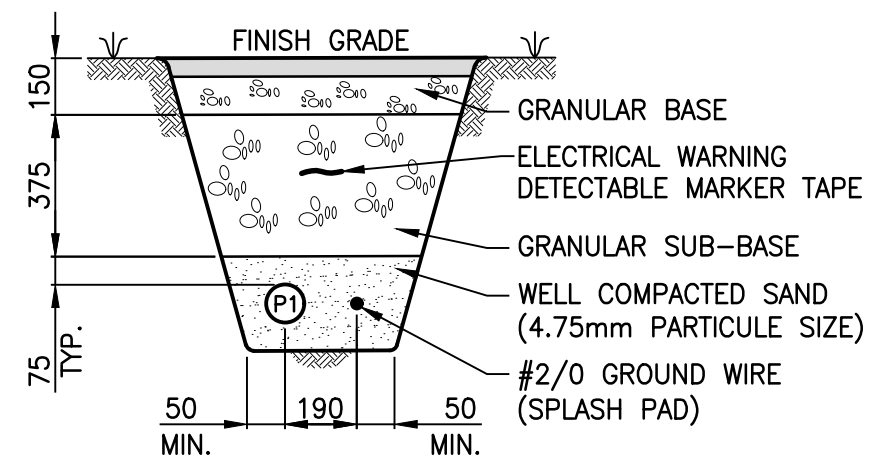
**G TRENCH DETAIL**  
SCALE: 1:20

**NOTES:**

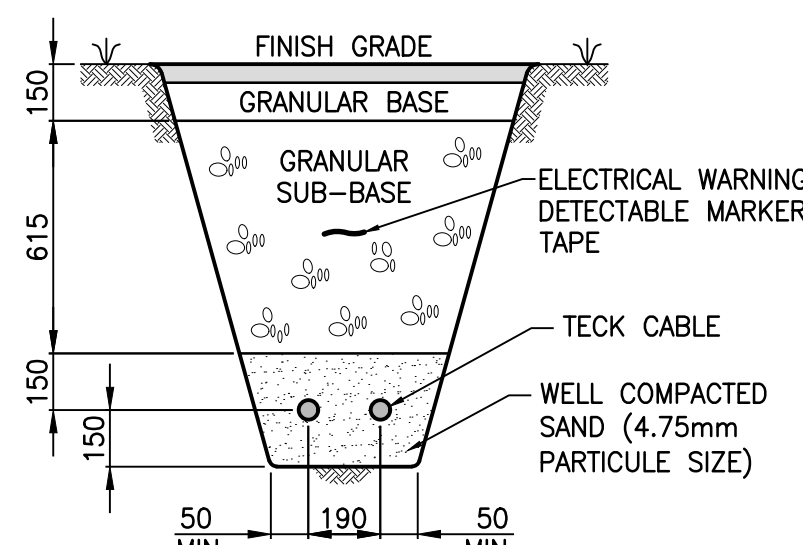
1. 6mm NYLON ROPE OR EQUIVALENT SHALL BE INSTALLED AND SECURED IN EACH CONDUIT.
2. ALL DUCTS SHALL BE PROPERLY IDENTIFIED AT BOTH ENDS WITH LAMICOID PLATES.
3. BACKFILL PARTICLES SHALL BE LESS THAN 38mm AND BACKFILL SHALL BE COMPACTED TO AT LEAST 95% MAXIMUM DENSITY TO ASTM D698.
4. ELECTRICAL WARNING DETECTABLE MARKER TAPE SHALL BE AS PER PANDUIT #HTDU 75mm WIDE.



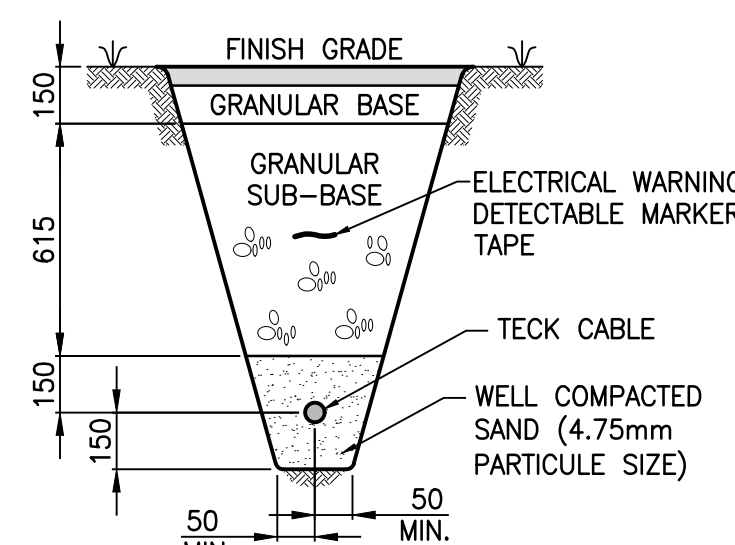
**D TRENCH DETAIL**  
SCALE: 1:20



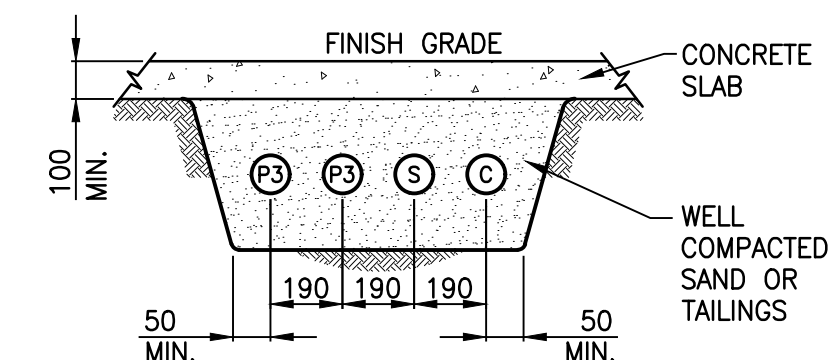
**F TRENCH DETAIL**  
SCALE: 1:20



**H TRENCH DETAIL**  
SCALE: 1:20



**J TRENCH DETAIL**  
SCALE: 1:20



**K TRENCH DETAIL**  
SCALE: N.T.S.

REVISION	DESCRIPTION	BY	DATE
0	ISSUED FOR TENDER	L.N.	2022-05-27
A	ISSUED FOR 50% REVIEW	J.O.	2021-06-18

- GENERAL NOTES:**
1. THE GENERAL CONTRACTOR IS RESPONSIBLE FOR VERIFYING ALL DIMENSIONS ON SITE TO ENSURE CONFORMITY WITH THE DIMENSIONS GIVEN ON THE DRAWINGS.
  2. THE GENERAL CONTRACTOR IS RESPONSIBLE TO IMMEDIATELY SUBMIT A REPORT TO THE ARCHITECT OR ENGINEER WITH ANY INACCURACIES.
  3. THE GENERAL CONTRACTOR SHOULD NOT TAKE SCALED MEASUREMENTS OFF THE DRAWINGS.
  4. ANY INDIVIDUAL OR FIRM THAT HAS RECEIVED ELECTRONIC DOCUMENT USE THEM AT THEIR OWN RISK. ONLY ORIGINAL DRAWINGS, STAMPED BY THE ARCHITECT, CAN BE USED FOR CONSTRUCTION.

SEAL  
REGISTERED PROFESSIONAL ENGINEER  
M8514  
Mathieu A. Doucet  
2022-05-27  
INGENIEUR IM MATRICULE

© 2016, EVOQ architecture inc.  
Copyright of this document belongs to EVOQ architecture inc. This document may not be forwarded to others. Transmitted, downloaded, reproduced or adapted in any format, whether print or electronic, without the prior written authorization of EVOQ architecture inc. All ideas and other information in this document are specific to this project and may not be used elsewhere without the written authorization of EVOQ architecture inc.

PROJECT:  
**KCIW KNICANEWEK SPORTS AND RECREATION PARK - PHASE 2**

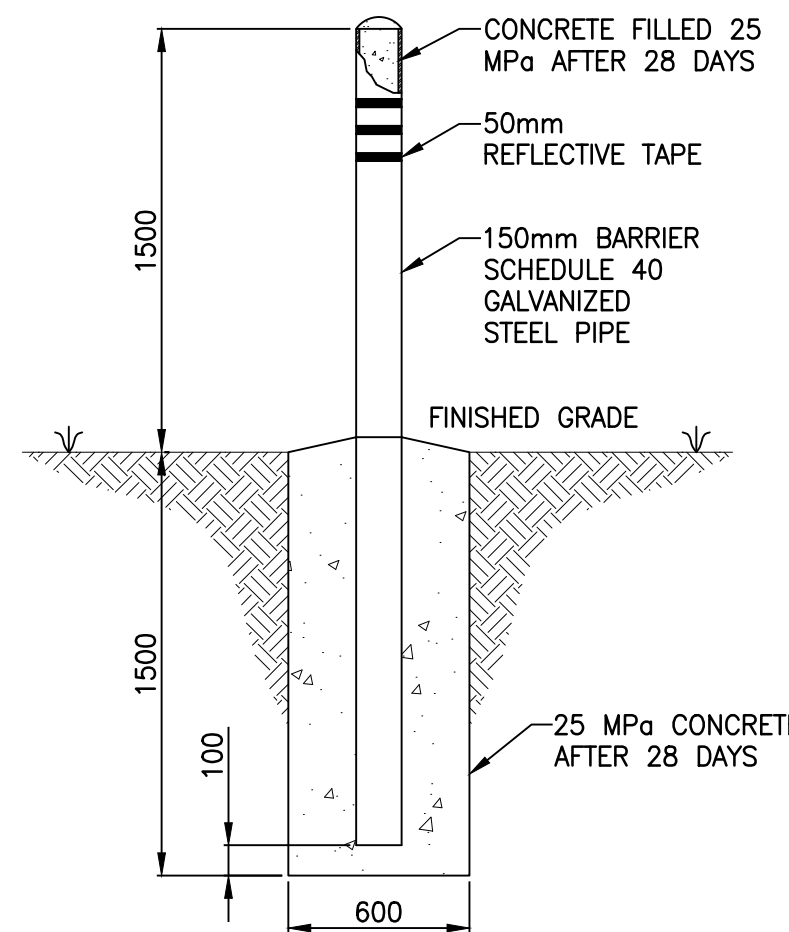
DRAWING TITLE:  
**-ELECTRICAL- DETAILS**

DESIGN: M. DOUCET APPROVED: M. DOUCET  
DRAWN: L. NOEL DATE: 2021-05-01  
VERIFIED: M. DOUCET SCALE: AS SHOWN

PROJECT N°: **9223-18-00** DRAWING N°: **E5**

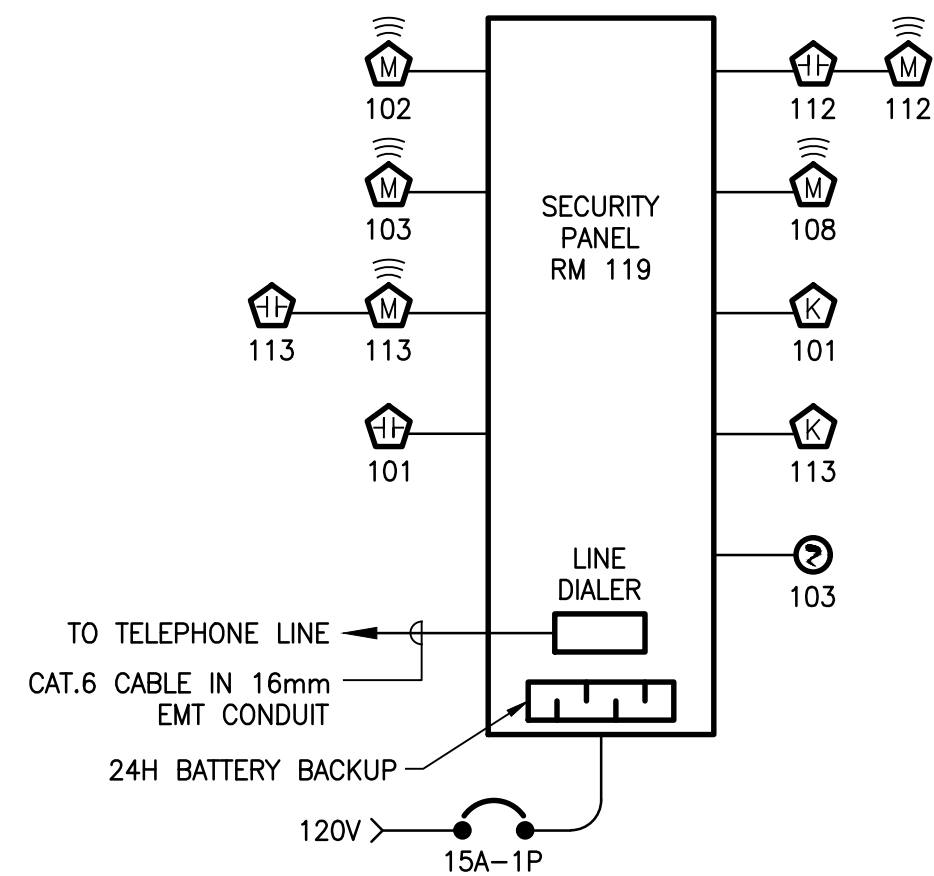


- NOTES:
1. PAINT BARRIER BOLLARDS WITH TWO COATS OF "SAFETY YELLOW". PAINT OVER A SUITABLE PRIMER. YELLOW POLYETHYLENE SLEEVES, SUCH AS THE ARMORCAST "GUARDIAN SLEEVE" MAY BE USED INSTEAD OF PAINTING. INSTALL AT APPROXIMATELY 1.5m FROM ENCLOSURE.
  2. APPLY THREE 50mm WIDE REFLECTIVE TAPE BANDS ON EACH BOLLARD; USE 3M "SCOTCH-LITE" SILVER REFLECTIVE TAPE OR EQUIVALENT.



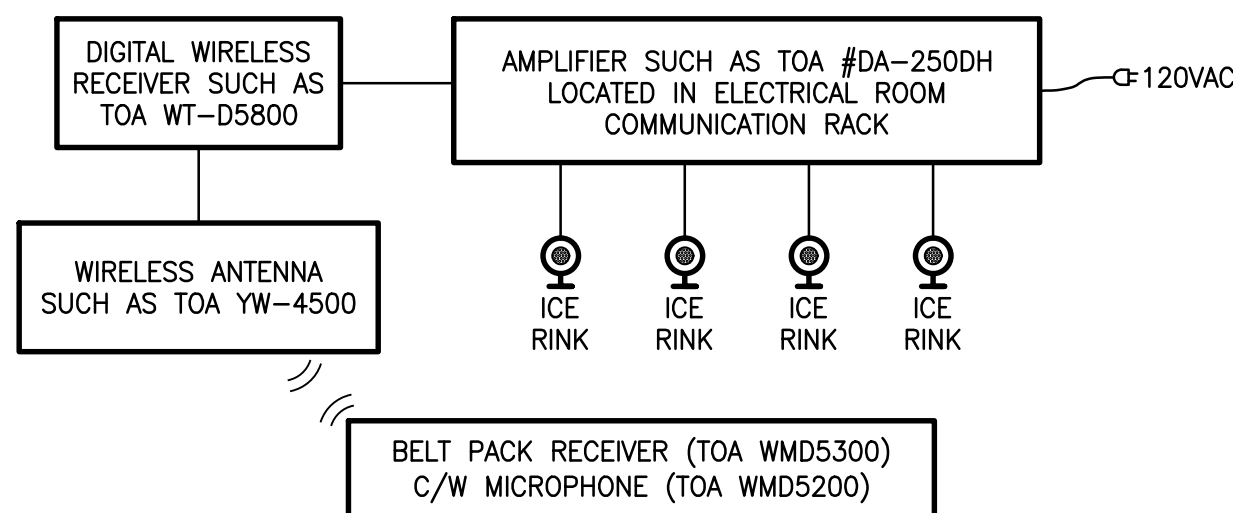
**TYPICAL BARRIER BOLLARD DETAIL**  
SCALE: N.T.S.

- NOTES:
1. THE DRAWINGS ARE DIAGRAMMATIC AND INDICATE GENERAL LOCATIONS FOR ELECTRICAL EQUIPMENT. THE CONTRACTOR SHALL VERIFY ALL EQUIPMENT LOCATIONS ON SITE PRIOR TO INSTALLATION.
  2. ALL EXPOSED WIRING IN EMT CONDUIT. CONCEALED WIRING SHALL BE SUPPORTED BY J-HOOKS.
  3. FLOOR PLANS HAVE PRECEDENCE OVER THIS RISER FOR DEVICE COUNT; THE RISER IS DIAGRAMMATIC ONLY FOR OPERATION/ZONING PURPOSES ONLY AND NOT A WIRING DIAGRAM.
  4. CONTRACTOR SHALL SUPPLY ALL THE NECESSARY MATERIALS TO OBTAIN A COMPLETE FUNCTIONAL SYSTEM.



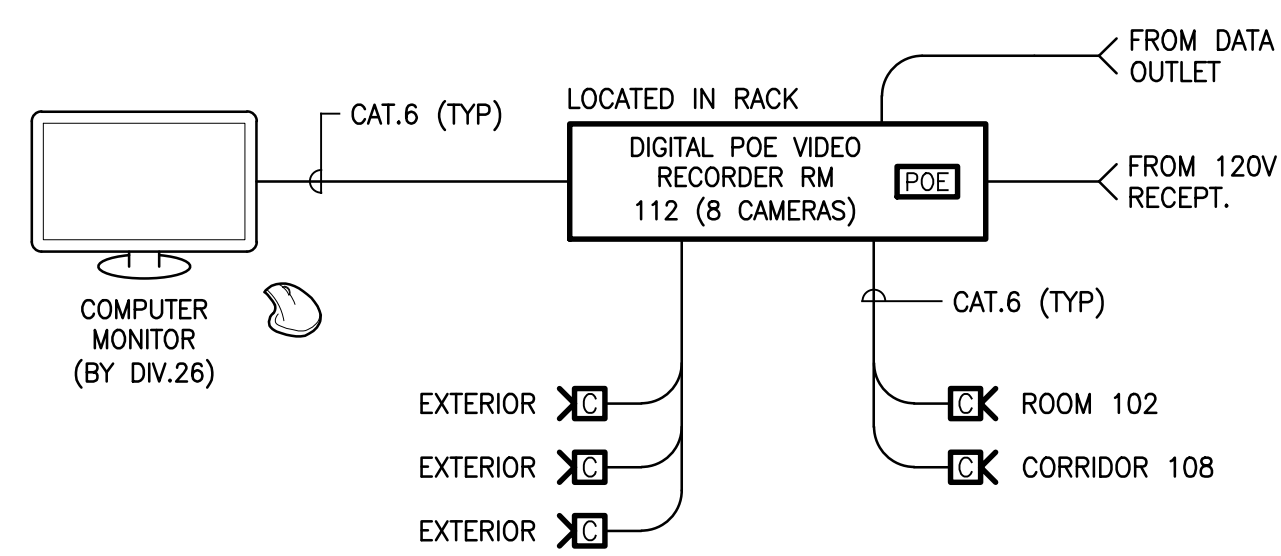
**SECURITY RISER DIAGRAM**  
SCALE: N.T.S.

- NOTES:
1. CONTRACTOR SHALL SUPPLY ALL NECESSARY MATERIAL TO PROVIDE A COMPLETE WORKING SYSTEM.
  2. FLOOR PLANS HAVE PRECEDENCE OVER THIS RISER FOR DEVICE COUNT. THE RISER IS DIAGRAMMATIC ONLY FOR OPERATION PURPOSES AND IS NOT A WIRING DIAGRAM.



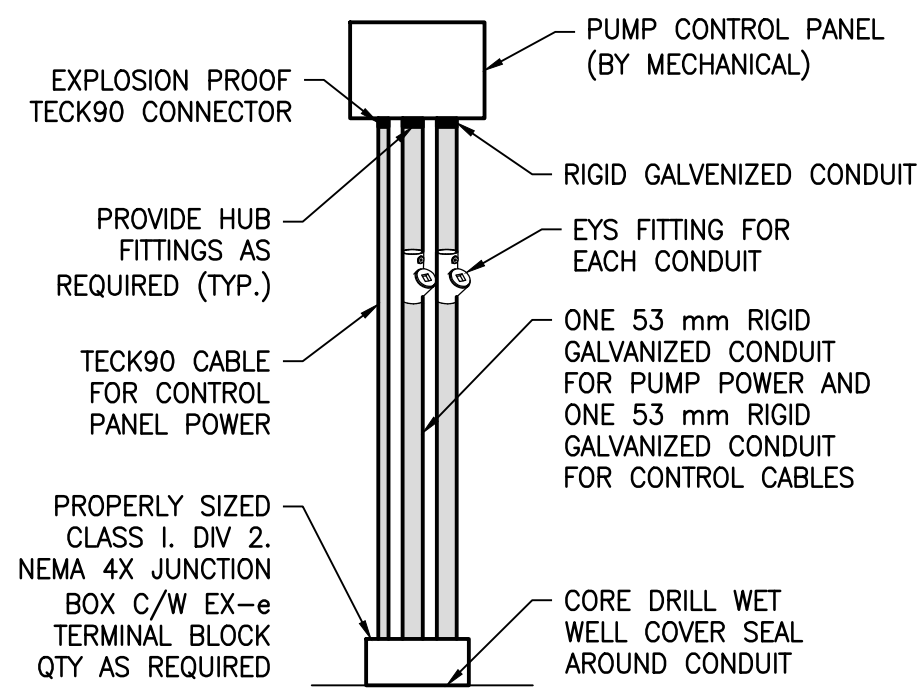
**SPEAKER SYSTEM DIAGRAM**  
SCALE: N.T.S.

- NOTES:
1. THE DRAWINGS ARE DIAGRAMMATIC AND INDICATE GENERAL LOCATIONS FOR ELECTRICAL EQUIPMENT. THE CONTRACTOR SHALL VERIFY ALL EQUIPMENT LOCATIONS ON SITE PRIOR TO INSTALLATION.
  2. ALL EXPOSED WIRING IN EMT CONDUIT. CONCEALED WIRING SHALL BE SUPPORTED BY J-HOOKS.
  3. FLOOR PLANS HAVE PRECEDENCE OVER THIS RISER FOR DEVICE COUNT; THE RISER IS DIAGRAMMATIC ONLY FOR OPERATION/ZONING PURPOSES ONLY AND NOT A WIRING DIAGRAM.
  4. CONTRACTOR SHALL SUPPLY ALL THE NECESSARY MATERIALS TO OBTAIN A COMPLETE FUNCTIONAL SYSTEM.

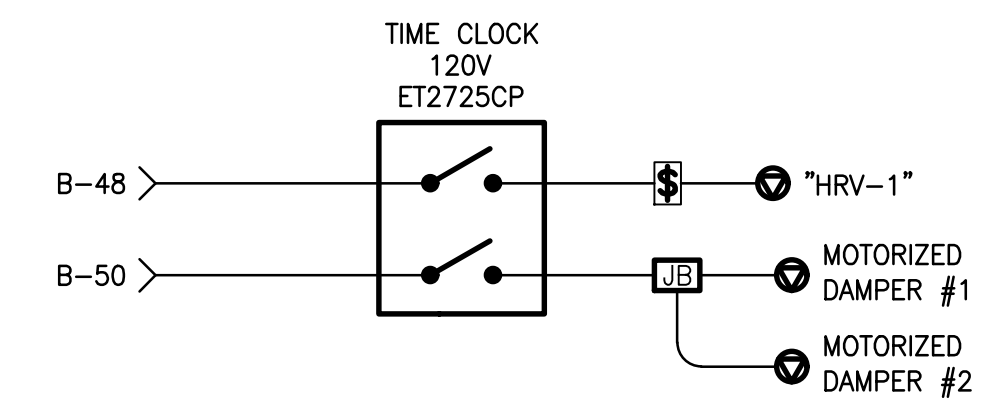


**CCTV SYSTEM DIAGRAM**  
SCALE: N.T.S.

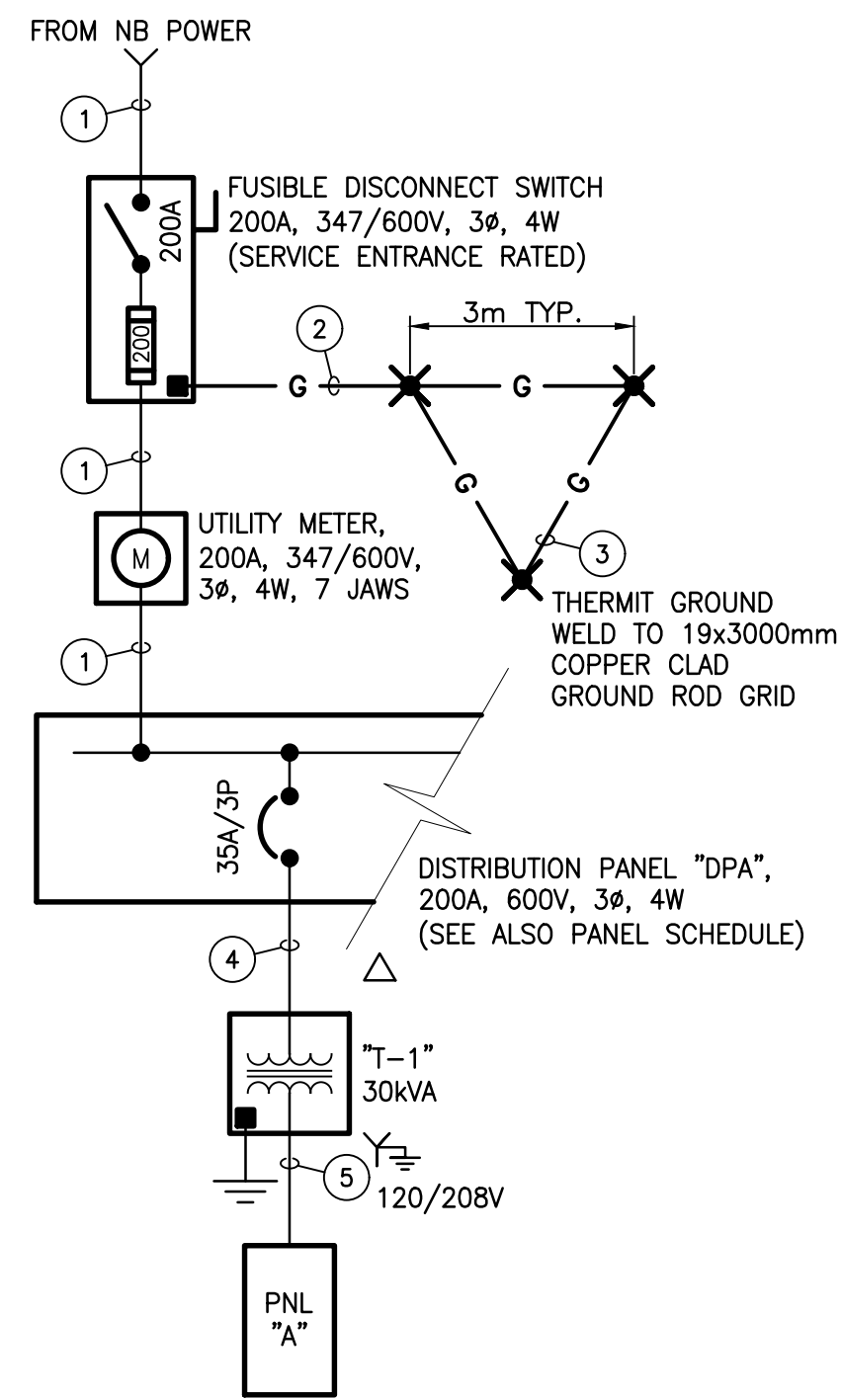
- NOTES:
1. REFER TO MECHANICAL DRAWINGS FOR ELEVATIONS.
  2. ADD UNISTRUTS AS REQUIRED TO SUPPORT CONDUITS/CABLE AND PANEL/BOX.



**PUMP CONTROL PANEL ELEVATION VIEW**  
SCALE: N.T.S.



**HRV TIME CLOCK CONTROL DIAGRAM**  
SCALE: N.T.S.

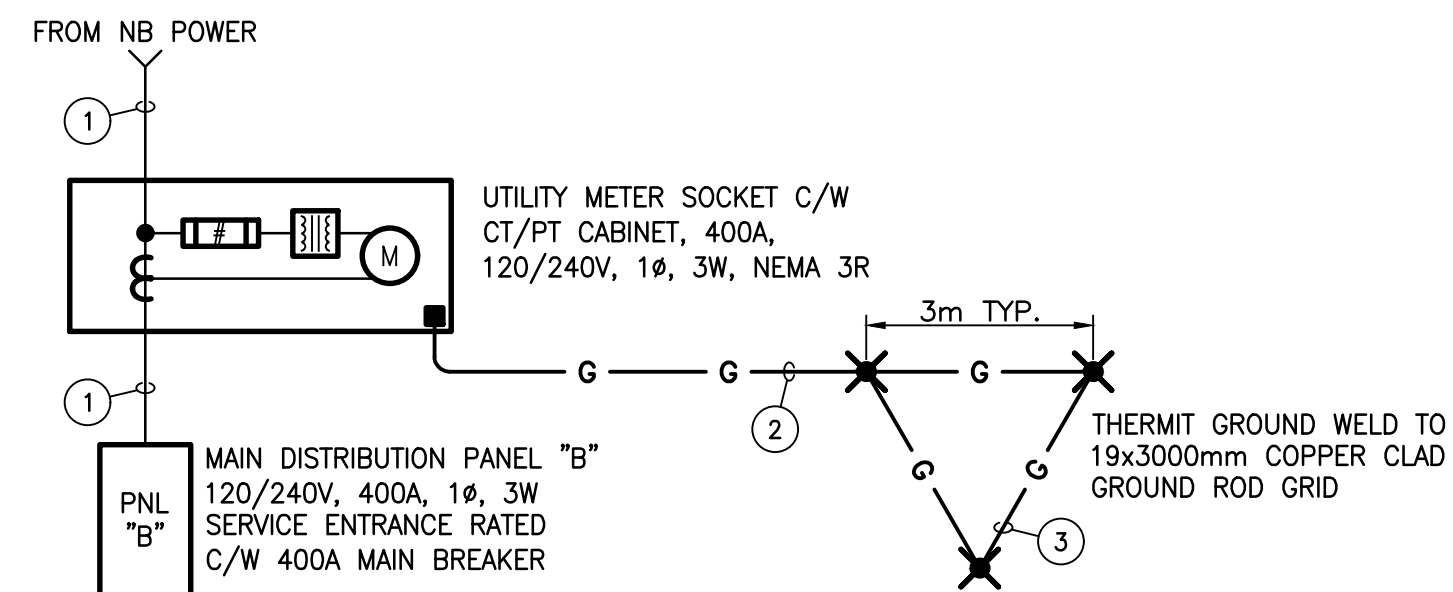


**SERVICE BUILDING SINGLE LINE DIAGRAM**  
SCALE: N.T.S.

**WIRE & CONDUIT TABLE**

1. 3C#500 MCM RWU90-CU & BOND IN 104mm RIGID PVC CONDUIT
2. 1C#6 AWG RW90 GREEN INSULATED GROUND IN 16mm RIGID PVC CONDUIT
3. 1C#2/0 AWG BARE COPPER CABLE

DEMAND TABLE		
LOADS	CONNECTED (W)	DEMAND (W)
MECH.	28200	21200
BASE	12000	12000
HEATING	25000	22000
OTHER	11500	11500
TOTAL:	76700	66700



**PARK CENTER BUILDING SINGLE LINE DIAGRAM**  
SCALE: N.T.S.

DEMAND TABLE		
LOADS	CONNECTED (W)	DEMAND (W)
LIGHTING	51484	51484
BASE	6300	6300
HEATING	6300	6300
TOTAL:	64084	64084

**WIRE & CONDUIT TABLE**

1. 4C#3/0 AWG RWU90 & BOND IN 103mm RIGID PVC CONDUIT
2. 1C#6 AWG RW90 GREEN INSULATED GROUND IN 16mm RIGID PVC CONDUIT
3. 1C#2/0 AWG BARE COPPER CABLE
4. 3C#8 AWG RW90 & BOND IN 27mm RIGID PVC CONDUIT
5. 4C#1/0 AWG RW90 & BOND IN 53mm RIGID PVC CONDUIT

NO.	DESCRIPTION	BY	DATE
0	ISSUED FOR TENDER	L.N.	2022-05-27
A	ISSUED FOR 50% REVIEW	J.O.	2021-06-18

- GENERAL NOTES:
1. THE GENERAL CONTRACTOR IS RESPONSIBLE FOR VERIFYING ALL DIMENSIONS ON SITE TO ENSURE CONFORMITY WITH THE DIMENSIONS GIVEN ON THE DRAWINGS.
  2. THE GENERAL CONTRACTOR IS RESPONSIBLE TO IMMEDIATELY SUBMIT A REPORT TO THE ARCHITECT OR ENGINEER WITH ANY INACCURACIES.
  3. THE GENERAL CONTRACTOR SHOULD NOT TAKE SCALED MEASUREMENTS OFF THE DRAWINGS.
  4. ANY INDIVIDUAL OR FIRM THAT HAS RECEIVED ELECTRONIC DOCUMENT USE THEM AT THEIR OWN RISK. ONLY ORIGINAL DRAWINGS, STAMPED BY THE ARCHITECT, CAN BE USED FOR CONSTRUCTION.

SEAL  
REGISTERED PROFESSIONAL ENGINEER  
M8514  
Mathieu A. Doucet  
2022-05-27  
INGENIEUR IMMATRICULE

© 2016, EVOQ architecture inc.  
Copyright of this document belongs to EVOQ architecture inc. This document may not be forwarded to others, transmitted, downloaded, reproduced nor adapted in any format, whether print or electronic, without the prior written authorization of EVOQ architecture inc. All ideas and other information in this document are specific to this project and may not be used elsewhere without the written authorization of EVOQ architecture inc.

PROJECT:  
**KCIW KNICANEWEK SPORTS AND RECREATION PARK - PHASE 2**

DRAWING TITLE:  
**-ELECTRICAL- DETAILS & DIAGRAMS**

DESIGN: M. DOUCET APPROVED: M. DOUCET  
DRAWN: J. OJEDRAGO DATE: 2021-05-01  
VERIFIED: M. DOUCET SCALE: AS SHOWN

PROJECT NO.: **9223-18-00** DRAWING NO.: **E6**



## MECHANICAL EQUIPMENT CONNECTION SCHEDULE

TAG	LOCATION	DESCRIPTION	VOLTAGE/PHASE	HP/kw	MCA/FLA	MOP/OPD	STARTER SUPPLIED BY	STARTER TYPE	DISCONNECT MEANS	BREAKER /PANEL	POWER WIRING	INTERLOCK WITH	COMMENTS
1	ZAMBONI STORAGE	HOT WATER TANK "HWT-2"	240/1	12kW	50FLA	---	---	---	DIV.26	70A-2P/PNL "B"	2C#4 AWG NMD90	---	---
2	MECH. ELEC. ROOM 109	HOT WATER TANK "HWT-1"	240/1	4.5kW	12.5FLA	---	---	---	DIV.26	25A-2P/PNL "B"	2C#10 AWG NMD90	---	---
3	MECH. ELEC. ROOM 204	HOT WATER TANK "HWT-3"	240/1	3kW	12.5FLA	---	---	---	DIV.26	20A-2P/PNL "A"	2C#12 AWG NMD90	---	---
4	MECH. ELEC. ROOM 109, 204	TRAP PRIMER "TP-1" & "TP-2"	120/1	---	---	---	---	---	---	15A-1P/PNL "A" & "B"	2C#12 AWG NMD90	---	---
5	EXTERIOR	LIFT STATION	600/3	10HP	---	25A	DIV.23	---	DIV.23	25A-3P/PNL "DPA"	3C#8 AWG TECK90	---	---
6	MECH. ELEC. ROOM 109	HEAT RECOVERY VENTILATION UNIT "HRV-1"	120/1	---	12MCA	20A	---	---	DIV.26	20A-1P/PNL "B"	2C#12 AWG NMD90	"MD-1" & "MD-2"	---
7	MECH. ELEC. ROOM 109, 107	MOTORIZED DAMPER "MD-1" & "MD-2"	120/1	50W	---	---	---	---	---	15A-1P/PNL "B"	2C#12 AWG NMD90	"HRV-1"	---
8	CANTEEN 103	KITCHEN EXHAUST "EF-1"	240/1	1.5HP	10FLA	---	DIV.23	---	DIV.23	25A-2P/PNL "B"	2C#10 AWG TECK90	---	---
9	WASHROOM 202 & 203	BATHROOM EXHAUST "EF-2"	120/1	---	0.2FLA	---	---	---	---	15A-1P/PNL "A"	2C#12 AWG NMD90	---	---
10	EXTERIOR	OUTDOOR UNIT "OU-1"	240/1	---	---	45A	---	---	DIV.26	45A-2P/PNL "B"	2C#8 AWG NMD90	---	---
11	CORRIDOR 109	INDOOR UNIT "IU-1" & "IU-2"	240/1	---	---	---	---	---	DIV.26	15A-2P/PNL "B"	2C#12 AWG NMD90	---	---
12	ROOT	MAKE UP AIR "MUA-1"	240/1	3/4HP	6.9FLA	---	DIV.23	---	DIV.23	15A-2P/PNL "B"	2C#12 AWG NMD90	---	---
13	MECH. ELEC. ROOM 204	EXHAUST FAN "EF-3"	120/1	---	0.2FLA	---	---	---	---	15A-1P/PNL "A"	2C#12 AWG NMD90	---	---

NOTES: CONTRACTOR SHALL BE RESPONSIBLE TO CONFIRM ELECTRICAL EQUIPMENT INFORMATION ON SITE PRIOR TO RIGGING-IN, ANY INCONSISTENCY BETWEEN THIS TABLE AND EQUIPMENT ON SITE SHALL BE REPORTED TO CONSULTANT FOR REVIEW. INSTALL NMD WIRING IN FLEXIBLE METAL CONDUIT/LIQUID TIGHT CONDUIT WHEN EXPOSED FOR FINAL CONNECTION.

MCA = MINIMUM CIRCUIT AMPACITY FLA = FULL LOAD AMPS MOP = MAXIMUM OVERCURRENT PROTECTION OPD = OVERCURRENT PROTECTION DEVICE  
H-O-A = HAND-OFF-AUTO O-A = OFF-AUTO T-O-A = TEST-OFF-AUTO

## LUMINAIRE SCHEDULE

TYPE	DESCRIPTION	MANUFACTURER	MODEL #	VOLTAGE	LAMP TYPE	WATTAGE	LUM/HOURS
A	1168x81mm SUSPENDED MOUNTED LED LUMINAIRE, CODE-GAUGE STEEL C/W SENSOR AT 10FT ABOVE FINISHED FLOOR, DAMP LOCATION	LITHONIA LIGHTING	BLWP4-40L-ADP-GZ10-LP835-MSD7ADCX	120V	LED 3500K CRI>80	39.5	4124/60000
B	280mm PENDANT THREAD MOUNT LED LUMINAIRE, DOWNLIGHT, HEAVY-GAUGE ALUMINUM HOUSING, 0-10V DIMMING, 45° SWIVEL	LITHONIA LIGHTING	LDN6CYL-35-50-L06-AR-LSS-MVOLT-GZ11-PM-WL-CRS	120V	LED 3500K CRI>80	57.7W	4975/60000
C	229x329mm WALL PACK LED LUMINAIRE, PRISMATIC GLASS LENSE, LOW MAINTENANCE, RUGGED CAST-ALUMINUM HOUSING	LITHONIA LIGHTING	ARC2-LED-P4-30K-MVOLT-DBLXD	120V	LED 3000K CRI>80	30W	3903/100000
D	94x110mm WALL MOUNTED LED LUMINAIRE, CAST-ALUMINUM HOUSING, POLYCARBONATE LENS, WET LOCATION	LITHONIA LIGHTING	OLLWD-LED-P1-40K-MVOLT-DOB	120V	LED 4000K CRI>80	9W	533/50000
E	600x600mm LUMEN LED FLAT PANEL, ALUMINUM FRAME, DAMP LOCATION, ADJUSTABLE LUMEN	LITHONIA LIGHTING	CPANL-2X2-24/33/44LM-35K-24LM	120V	LED 3500K CRI>80	20W	2400/60000
F	1168x81mm SURFACE MOUNTED LED LUMINAIRE, CODE-GAUGE STEEL, DAMP LOCATION	LITHONIA LIGHTING	WL4-40L-EZ1-LP835	120V	LED 3500K CRI>80	39.5	4124/60000
G	114.3mm SCOUT CEILING SUSPENDED ARCHITECTURAL LUMINAIRE, 0-10V DIMMING, EXTRUDED ALUMINUM HEATSINK C/W WHITE CABLE	EUREKA LIGHTING	4049-10-LED-35-80-120-DV-WI-FRO C/W WHITE CABLE, CANOPY, STRUCTURE & BAFFLE	120V	LED 3500K CRI>80	13.7W	1472/50000
H	114.3mm SCOUT WALL MOUNTED ARCHITECTURAL LUMINAIRE, 0-10V DIMMING, EXTRUDED ALUMINUM HEATSINK, WHITE FINE TEXTURE C/W WHITE CABLE	EUREKA LIGHTING	3049-10-LED-35-80-120-DV-WI-FRO-WHE-WHE	120V	LED 3500K CRI>80	13.7W	1472/50000
J	1168x81mm SUSPENDED MOUNTED LED LUMINAIRE, DAMP LOCATION	LITHONIA LIGHTING	BLWP4-48L-ADP-GZ10-LP835	120V	LED 3500K CRI>80	40W	5137/60000
K	254x254mm SURFACE MOUNTED LED LUMINAIRE, CAST-ALUMINUM CONSTRUCTION, 0-10V DIMMING, WET LOCATION	LITHONIA LIGHTING	CNYLED-PO-4000K-MVOLT-DOB	120V	LED 4000K CRI>80	27W	3500/50000
L	170mm LED RECESSED DOWNLIGHT LUMINAIRE, ALUMINUM DIE CAST CONSTRUCTION WITH DETACHED HIGH EFFICIENCY DRIVER TO ALLOW SHALLOW CEILING INSTALLATION, WET LOCATION RATED	LITHONIA LIGHTING	WF6-SQ-S-LED-40K-MVOLT	120V	LED 4000K CRI>80	13.9W	920/36000
M	305x1220mm LUMEN LED FLAT PANEL, ALUMINUM FRAME, DAMP LOCATION C/W SURFACE MOUNT KIT, ADJUSTABLE LUMEN & CRI	LITHONIA LIGHTING	CPANL-1x4-A01-SWW7-M4-DGA14 ACC: DCMK14	120V	LED 3500K CRI>80	38.7W	4881/60000
N	330mm SUSPENDED LED HIGH BAY LUMINAIRE, WHITE DIE-CAST ALUMINUM HOUSING, WET LOCATION (IP65), C/W WIRE GUARD.	LITHONIA LIGHTING	JEBL-2400LM-GL-MVOLT-40K-80CRI ACC: WGX	120V	LED 4000K CRI>80	174W	24181/54000

NOTE: ELECTRICAL CONTRACTOR IS RESPONSIBLE TO SUPPLY LUMINAIRE AS SPECIFIED IN DESCRIPTION AND MODEL NUMBER. IF ANY DISCREPANCY BETWEEN DESCRIPTION & MODEL NUMBER, CONTACT CONSULTANT PRIOR TO TENDER CLOSING.

## HEATER SCHEDULE

TYPE	DESCRIPTION	MANUFACTURER	MODEL	VOLTAGE	WATTS	PH	MOUNTING	CONTROLS	COMMENTS
A	WALL FAN HEATER	OUELLET	OV50752	240	750	1	WALL	LINE VOLTAGE THERMOSTAT	SURFACE MOUNT KIT
B	UNIT HEATER	OUELLET	OAE2000 AM-EQ-TB6	208	1500	1	WALL	BUILT-IN	
C	WALL FAN HEATER	OUELLET	OAC1500-T	240	1500	1	WALL	LINE VOLTAGE THERMOSTAT	SURFACE MOUNT KIT
D	BASEBOARD	OUELLET	OFM 0750	240	750	1	WALL	LINE VOLTAGE THERMOSTAT	
E	CEILING FAN HEATER	OUELLET	OACP1500	240	1500	1	CEILING	LINE VOLTAGE THERMOSTAT	
F	CEILING FAN HEATER	OUELLET	OACP3000	240	3000	1	CEILING	LINE VOLTAGE THERMOSTAT	
G	BASEBOARD	OUELLET	OFM 1250	240	1250	1	WALL	24V CONTROL	
H	UNIT HEATER	OUELLET	OAE3000 AM-EQ-TB6	240	3000	1	WALL	BUILT-IN	

NEW PANEL "DPA"		EATON PRL2a				
POWER SUPPLY: 347/600V, 3ø-4W		A	B	C		
MAINS: 200A		34,500	34,500	34,500		
BRANCH BREAKERS: 42 CCT, 10kAIC						
DESCRIPTION	LOAD	BEK'S AMP	CCT	BEK'S AMP	LOAD	DESCRIPTION
BASEBALL LIGHTING POLE A1	3000	15	1	2	15	3000
	3000	3P	3	4	3P	3000
	3000	3P	5	6	3P	3000
BASEBALL LIGHTING POLE C1	3000	15	7	8	15	3000
	3000	3P	9	10	3P	3000
	3000	3P	11	12	3P	3000
BASEBALL LIGHTING POLE B1	4500	20	13	14	20	4500
	4500	3P	15	16	3P	4500
	4500	3P	17	18	3P	4500
TRANSFORMER "T-1"	10000	35	19	20	25	3500
	10000	3P	21	22	3P	3500
	10000	3P	23	24	3P	3500
	0	25	25	26	0	
	0	27	27	28	0	
	0	29	29	30	0	
	0	31	31	32	0	
	0	33	33	34	0	
	0	35	35	36	0	
	0	37	37	38	0	
	0	39	39	40	0	
	0	41	41	42	0	
TOTAL LOAD: 103,500W						

NEW PANEL "B"		EATON #PRL1a				
POWER SUPPLY: 120/240V, 3ø-4W		A	B	C		
MAINS: 400A C/W 400A MAIN BREAKER		27,245	23,720	28,860		
BRANCH BREAKERS: 84 CCT, 10kAIC						
DESCRIPTION	LOAD	BEK'S AMP	CCT	BEK'S AMP	LOAD	DESCRIPTION
LIGHTS WASHROOMS & CHANGING RM	310	15	1	2	15	250
LIGHTS ROOMS 112, 108, 102, 101, 109	500	15	3	4	15	600
LIGHTS ROOMS 103, 104, 105, 113	525	15	5	6	15	720
HEATING ROOM 106, 107, 112	2250	30	7	8	15	1200
	2250	2P	9	10	15	600
HEATING WASHROOM 110 & 111	2250	30	11	12	15	400
	2250	2P	13	14	20	200
HEATING ROOM 102	2500	30	15	16	15	1200
	2500	2P	17	18	20	400
HEATING ROOM 103, 104 & 105	2250	30	19	20	15	400
	2250	2P	21	22	20	600
HEATING ZAMBONI STORAGE	1500	20	23	24	20	600
	1500	2P	25	26	15	1000
HEATING ZAMBONI STORAGE	1500	20	27	28	15	1000
	1500	2P	29	30	20	500
HEATING ENTRANCE, ELECTRICAL ROOM & BATHROOM	2250	30	31	32	15	200
	2250	2P	33	34	15	200
HOT WATER TANK "HWT-2"	6000	70	35	36	15	0
	6000	2P	37	38	15	600
SANDWICH REFRIGERATOR	500	15	39	40	20	600
SANDWICH REFRIGERATOR	500	15	41	42	15	1000
ROOF TOP RECEPTACLE	200	20	43	44	20	200
HOT WATER TANK "HWT-1"	2250	25	45	46	20	200
	2250	2P	47	48	20	1500
TRAP PRIMER	50	15	49	50	15	300
FIRE SUPPRESSION SYSTEM	50	15	51	52	20	0
OUTDOOR UNIT "OU-1"	1500	45	53	54	15	1050
	1500	2P	55	56	15	1050
DOOR OPERATOR	1000	15	57	58	15	1050
HAND DRYER	1000	15	59	60	100	1615
HAND DRYER	1000	15	61	62	2P	1615
DOOR OPERATOR	1000	25	63	64	0	
INDOOR UNIT	250	15	65	66	15	100
	250	2P	67	68	15	420
KITCHEN EXHAUST "EF-1"	1200	25	69	70	2P	420
	1200	2P	71	72	15	0
	0	73	73	74	0	
	0	75	75	76	0	
	0	77	77	78	0	
	0	79	79	80	0	
	0	81	81	82	0	
	0	83	83	84	0	
TOTAL LOAD: 79,825W						

- (1) PROVIDE BREAKER LOCK  
(2) SHUNT TRIP BREAKER  
(3) GFCI BREAKER

NEW PANEL "A"		EATON #PRL1A				
POWER SUPPLY: 120/208V, 3ø-4W		A	B	C		
MAINS: 125A		1900	2550	2700		
BRANCH BREAKERS: 42 CCT, 10kAIC						
DESCRIPTION	LOAD	BEK'S AMP	CCT	BEK'S AMP	LOAD	DESCRIPTION
MUSCO CONTROL PANEL	500	20	1	2	20	200
	750	15	3	4	15	750
BATHROOM HEATING	750	2P	5	6	2P	750
STORAGE SPACE HEATING	1500	20	7	8	20	600
	1500	2P	9	10	20	600
OUTDOOR RECEPTACLE	200	20	11	12	15	400
ELECTRICAL ROOM RECEPTACLE	200	15	13	14	15	350
HOT WATER TANK	1500	20	15	16	15	50
	1500	2P	17	18	25	1000
HAND DRYER	1000	15	19	20	0	0
HAND DRYER	1000	15	21	22	0	0
	0	23	23	24	0	0
	0	25	25	26	0	0
	0	27	27	28	0	0
	0	29	29	30	0	0
	0	31	31	32	0	0
	0	33	33	34	0	0
	0	35	35	36	0	0
	0	37	37	38	0	0
	0	39	39	40	0	0
	0	41	41	42	0	0
TOTAL LOAD: 15,100W						

PANEL "C" (SUPPLIED BY OWNER)		EATON PRL1a				
POWER SUPPLY: 120/240V, 1ø-3W		A	B			
MAINS: 100A MAIN BREAKER, SERVICE ENTRANCE RATED, NEMA 3R		1,870	1,360			
BRANCH BREAKERS: 24 CCT, 10kAIC						
DESCRIPTION	LOAD	BEK'S AMP	CCT	BEK'S AMP	LOAD	DESCRIPTION