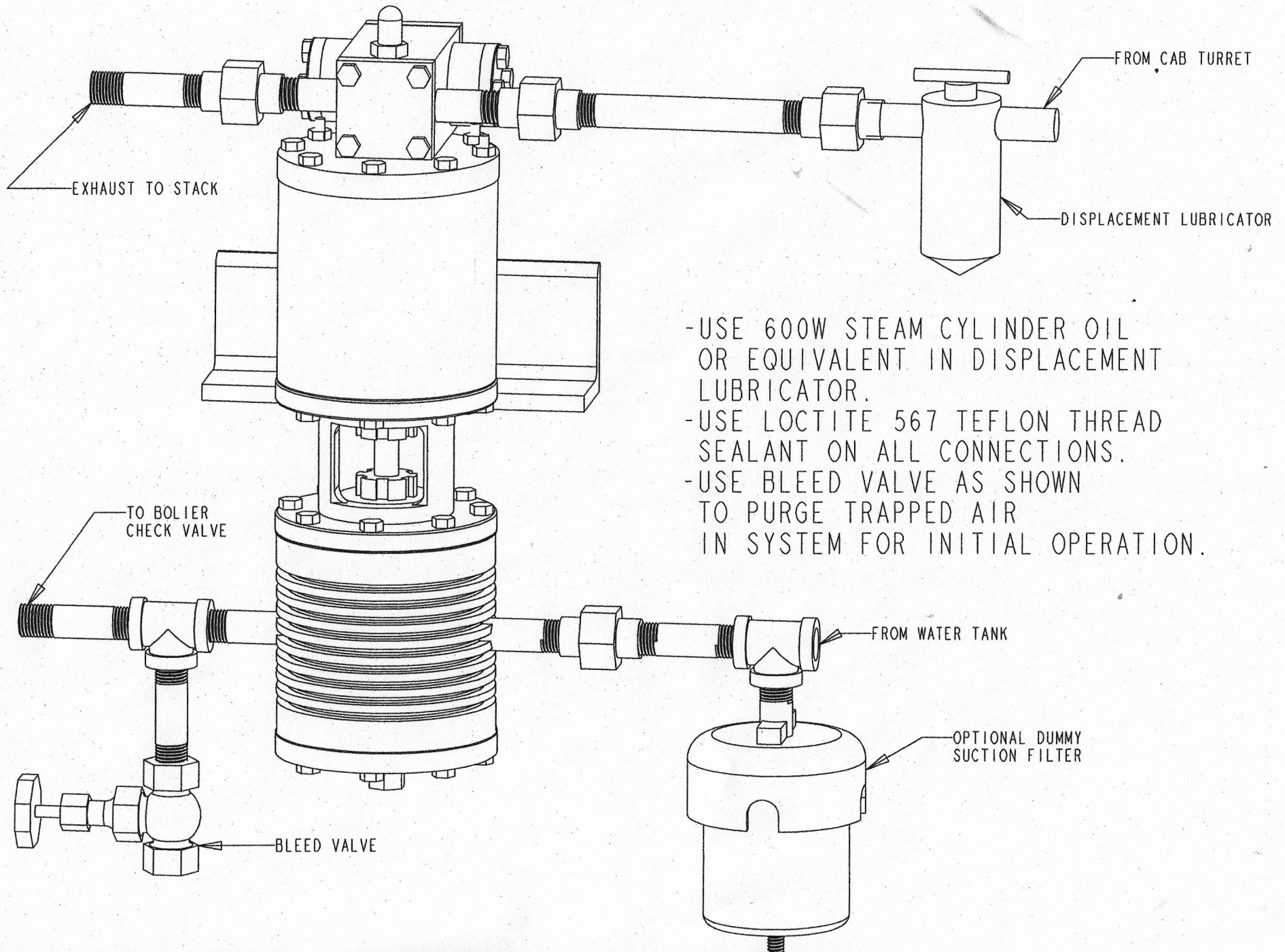


RECOMMENDED PIPING FOR K.S.P.
SINGLE CYLINDER STEAM WATER PUMP



- USE 600W STEAM CYLINDER OIL OR EQUIVALENT IN DISPLACEMENT LUBRICATOR.
- USE LOCTITE 567 TEFLON THREAD SEALANT ON ALL CONNECTIONS.
- USE BLEED VALVE AS SHOWN TO PURGE TRAPPED AIR IN SYSTEM FOR INITIAL OPERATION.