

King Metallic Sanders

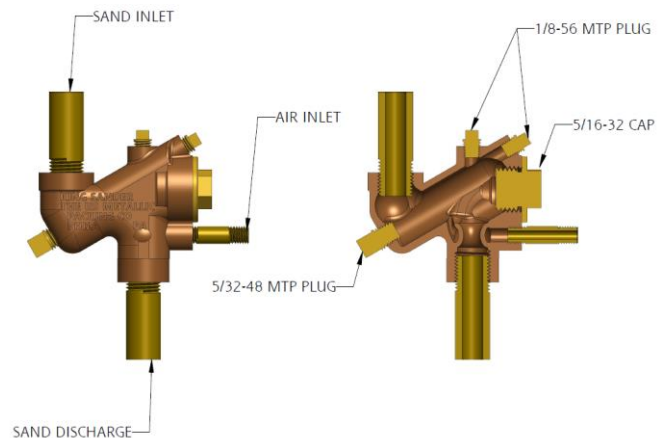
For 1 ½" Scale Steam Locomotives

By the **Extreme Steam** division of

Keim Steam Pump

The King Metallic Sanders developed by Keim Steam Pump are designed to deliver dry sand from an above mounted reservoir to the rail head your locomotive is riding upon using compressed air.

Sand feed and discharge lines are tapped ¼-40 MTP. Air signal line is tapped 1/8-56 MTP. Designed to use with dry bleached Play Sand only.



Visit us at: www.keimsteampump.com

Or visit us on Facebook: <https://www.facebook.com/Keim-Steam-Pump>