

Westinghouse Governor

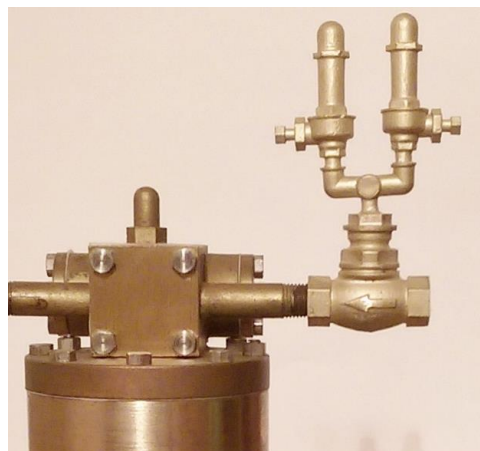
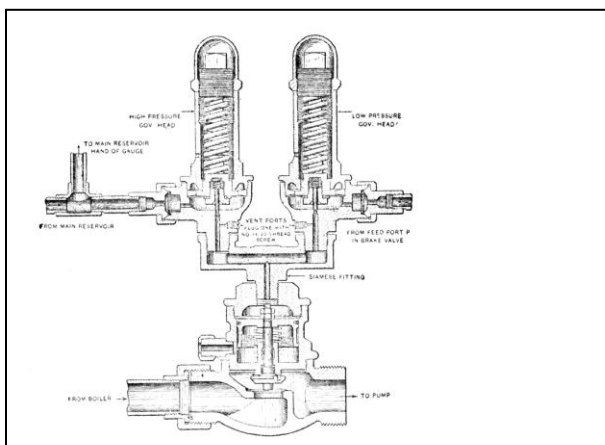
For 1 ½" and 2 ½" Scale Steam Locomotives

By the **Extreme Steam** division of

Keim Steam Pump

The kit consists of 4 cast brass investment castings and is designed to be tapped 1/4-40 MTP (1 ½" scale) or 5/16-27 MTP (2 ½" scale) so that it may be placed in line with the steam line to your water pump or air compressor.

This kit can be configured with a single governor valve or a double governor valve depending upon what style the builder needs to model.



Visit us at: www.keimsteampump.com

Or visit us on Facebook: <https://www.facebook.com/Keim-Steam-Pump>