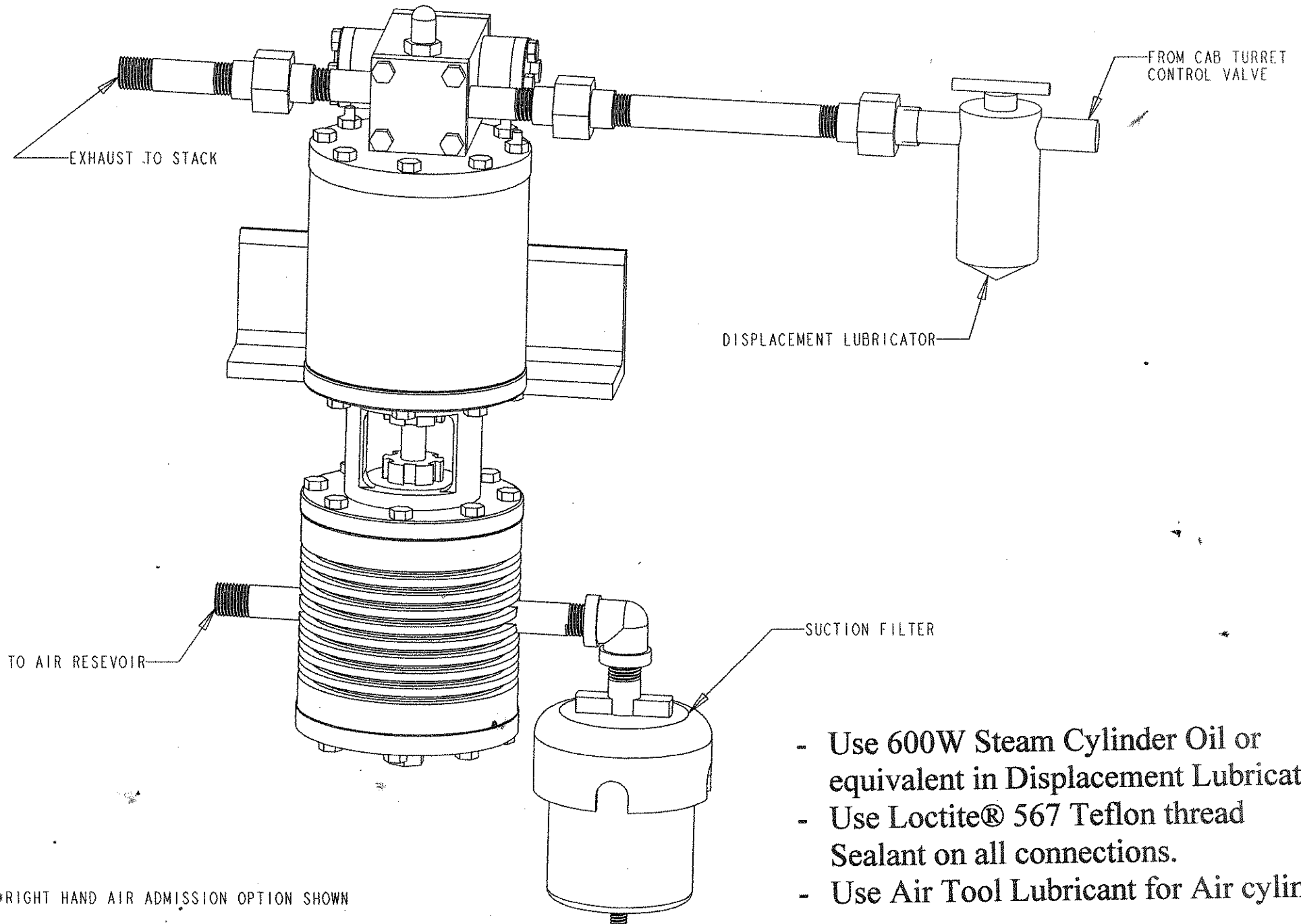


RECOMMENDED PIPING FOR K.S.P.
SINGLE CYLINDER STEAM AIR COMPRESSOR



*RIGHT HAND AIR ADMISSION OPTION SHOWN

- Use 600W Steam Cylinder Oil or equivalent in Displacement Lubricator
- Use Loctite® 567 Teflon thread Sealant on all connections.
- Use Air Tool Lubricant for Air cylinder