

LENOX[®] LOCKERS

Practical. Durable. Preferred.



Standard Lockers

Gear Lockers

Z-Lockers

Cubby Lockers

Bench Lockers

Cubby Bench Lockers

Pedestal Benches

bradleycorp.com

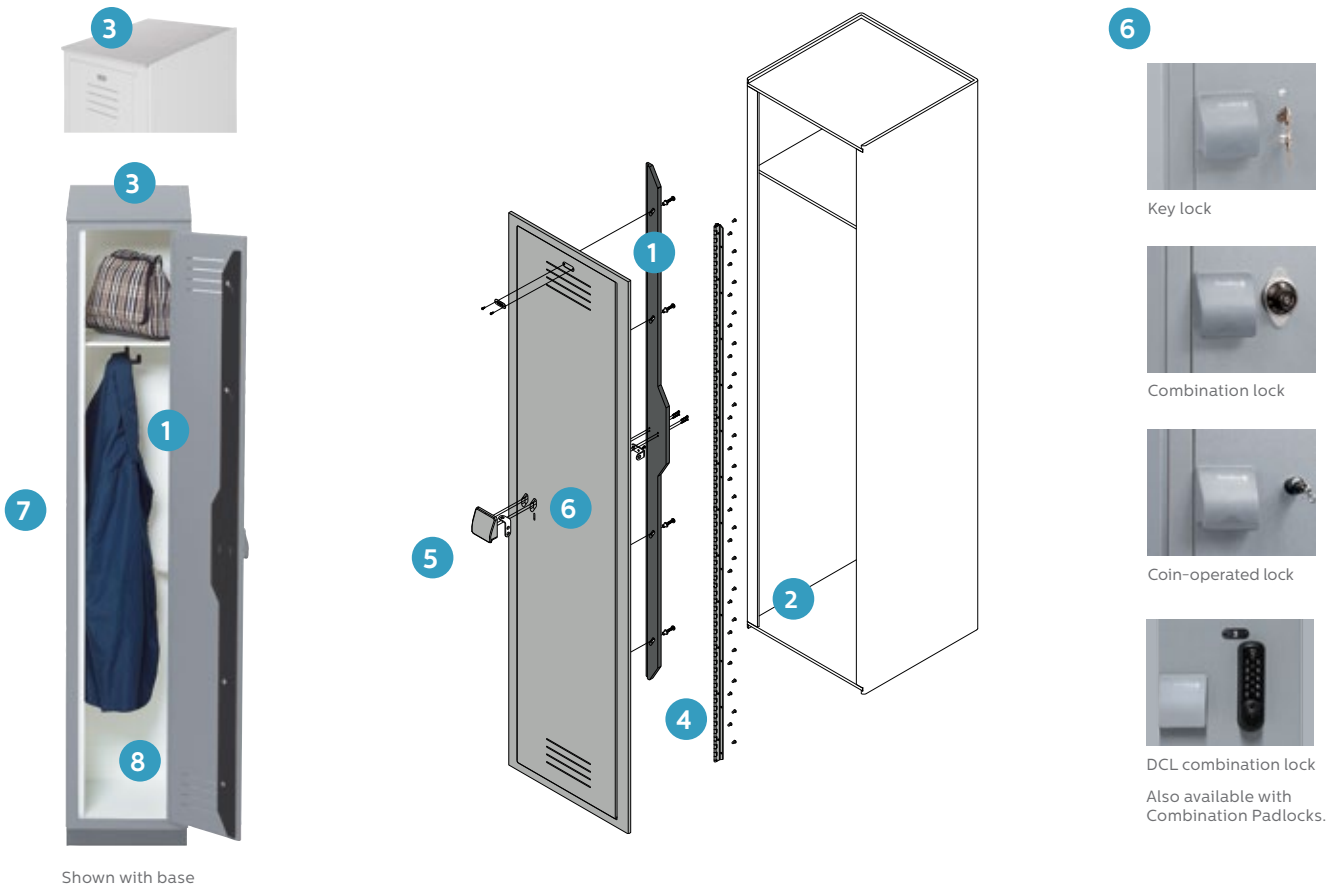


Lenox Lockers

With exclusive, patented features you can't find anywhere else, Lenox Lockers are the preferred specification for locker rooms.

Lenox Locker Advantage

- 1 Most secure locking/latch system available: patented continuous slide latch made of $\frac{1}{2}$ " thick High-Density Polyethylene (HDPE) secures the entire length of the door
- 2 Patented integral box provides strength: top and bottom are welded to frame; door and frame assembly is welded to box
- 3 Optional slope top helps prevent items being stacked on top
- 4 Heavy-duty stainless steel piano hinge is more durable and longer lasting than aluminum or plastic
- 5 Ergonomic handle makes it easy to open the full length latch and conceals a metal hasp for pad locks
- 6 Multiple locking mechanism options
- 7 Ships fully assembled and ready for a fast and easy installation
- 8 Made from 30% pre-consumer content, 100% pre-consumer content or 100% post-consumer content





One tier with XL option shown with end panel



Two tier and four tier styles

Standard Locker

A wide range of sizes, tiers, colors, and options

Tiers: 1 - 6

6-tier: 72" (1829mm) height only

Height: 24", 36", 48", 60" or 72"
(609mm, 914mm, 1219mm, 1524mm, or 1829mm)

Width Options: 12", 15" or 18"
(305mm, 381mm, or 457mm)

Depth Options: 12", 15" or 18"
(305mm, 381mm, or 457mm)

Need more space? Extra depth options offer 30% more storage.

XL Depth Options: 21" or 24"
(533mm 609mm)



Gear Locker

With extra width & depth these lockers have plenty of secure storage space to accommodate all types of bulky equipment and gear.

- Ship fully assembled for quick, easy installation
- 'Soft-Down Stay' slow close hinge on storage bin – no slamming or pinched fingers
- Perfect for fire and police departments, locker rooms, recreation and fitness facilities

Height: 72" (1829mm)

Width Options: 24", 30" or 36"
(609mm, 762mm, or 914mm)

Depth Options: 18", 21" or 24"
(457mm, 533mm, or 610mm)



Z-Locker

Lenox Z-Lockers provide practical multi-level storage without wasted floor space

Tiers: 2

Height: 60" or 72"
(1524mm, or 1829mm)

Width Options: 15" or 18"
(381mm, or 457mm)

Depth Options: 12", 15" or 18"
(305mm, 381mm, or 457mm)

Need more space?

XL Depth Options: 21" or 24"
(533mm 609mm)



Lenox Gear Lockers with custom logo option installed in the United States Naval Academy Women's Crew Team facility

Made-to-Order Options

- Flat tops
- Slope tops
- Mesh doors
- Plastic coat hooks
- Metal wall hooks
- Coat rods
- Engraved logos
- Number plates
- Filler panels
- End panels
- Drain holes
- Bases
- Built-in key locks
- Built-in combination locks
- Coin-operated locks
- Digital combination locks
- Combination padlocks

Cubby Bench

Convenient seating and easy-access storage.



Cubby Locker

Easy-access, durable cubby lockers are perfect for items that do not require locked storage.

(Three cubby lockers pictured.)



Locker Bench

Convenient seating and storage with hasp lock.



Pedestal Bench

Locker room benches complete the long line of solid plastic products for your restroom and locker room applications.





Metal lockers don't stand a chance.

Quick installation and low maintenance costs add up to a 50% life cycle cost savings with Lenox Lockers.

Cost Savings with Lenox Lockers

Over time, metal lockers become dented and rusted like the tired looking example on the left. Maintaining 50 metal lockers for 20 years with four paint jobs and two door replacements per locker could cost \$31,000!

Plastic lockers may require additional investment up front, but significant savings on repairs and maintenance will make up the difference over Lenox Lockers' 20-year life cycle.

20-year life cycle	metal lockers	lenox lockers
Paint 4 times @ \$100* per locker	\$20,000	\$0
Replace doors 2 times @ \$110* per locker	\$11,000	\$0
Cost to maintain 50 Lockers	\$31,000	\$0

*Estimated cost

20-Year warranty

Never paint a locker again! You get maintenance-free lockers that still look new after years of use. Even spray paint and magic markers are easily removed with standard cleaning products. All plastic locker parts and components carry a 20-year warranty against rust, corrosion, denting and delaminating under normal use. Normal use definition: Lockers installed in a climate-controlled environment, away from direct sunlight.

U.S. Patents

6,685,285; 6,792,661;
 6,793,299; 7,029,078;
 7,223,317; 7,278,695; 7,510,249;
 7,699,412; 7,789,471; 8,113,602
 Other patents pending

HDPE Solid Plastic

Unlike metal, Lenox Lockers are constructed from corrosion-proof, high-density polyethylene (HDPE) material that won't rust or dent.

- More resistant to scratches & easier to repair than metal
- 100% post-consumer HDPE recycled material available in three colors
- GREENGUARD GOLD certified as a low emitting material
- Locker Benches NOT available in these colors
- Pedestal Benches NOT available in these colors
- Gear Lockers NOT available in these colors

Due to printing variances, the actual material color may differ. Contact your Bradley Rep for samples.

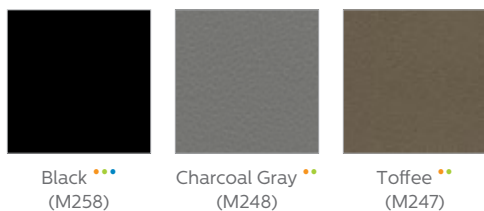
On average, each Lenox Locker in a post-consumer color keeps more than **500 milk jugs** out of landfills, which = **242.5 kWh** in Delivered Electricity Equivalent, which = **2,828.73 Thousand Btu** in Net Energy Savings, which = enough energy saved to run a...



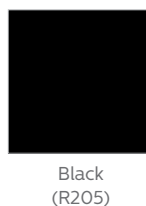
Bradmar 30% Pre-consumer Colors



Bradmar 100% Post-consumer Colors



Bradmar 100% Pre-consumer Color



Commercial Washrooms. Brought to Life.
HANDWASHING & DRYING | ACCESSORIES | PARTITIONS | LOCKERS

bradleycorp.com
800 BRADLEY +1 262 251 6000
W142 N9101 Fountain Boulevard
Menomonee Falls, WI USA 53051
3787-4.5-1119