



MACNEIL STEEL AND VALVES (PTY) LTD



# 2020W-300 2 PIECE FULL BORE STAINLESS STEEL VALVE FLANGED

+27 (011) 822 1802

[www.msv.co.za](http://www.msv.co.za)

1575 Staal Rd, Knights,  
Germiston, Gauteng, SA



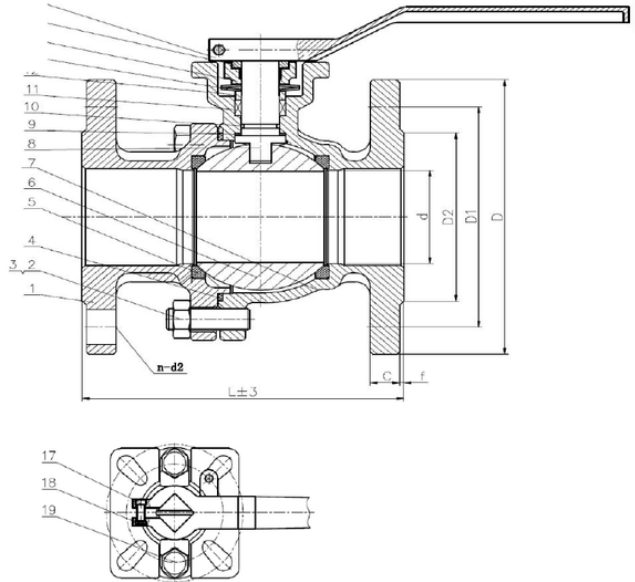
MACNEIL STEEL AND VALVES (PTY) LTD

**2020SW-300 CLASS 300 2 PIECE FULL BORE STAINLESS STEEL BALL VALVE FLANGED ASA300, FIRE SAFE DESIGN**

**TECHNICAL SPECIFICATIONS:**

1. Design and manufacture to API 608
2. Face to Face according to ASME B16.10
3. End Connection refer to ASME B16.5
4. Inspection and Test according to API 598

No.	Part Name	Material
1	Cap	CF8M
2	Bolt	304
3	Nut	304
4	Gasket	PTFE
5	Seat	PTFE
6	Ball	304
7	Body	CF8M
8	Stem	316
9	Gasket	PTFE
10	O-Ring	Viton
11	Packing	PTFE
12	Gland	316
13	Spring	304
14	Flange Gland	201
15	Orientation Patch	201
16	Handle	201
17	Bolt	304
18	Nut	304
19	Bolt	304



Nominal Diameter	Main Dimensions (mm)								
	d	L	D2	D1	D	C	f	n-d2	Torque N.m.
(mm)									
25	24	165	49	88.9	49	15	2	4-Ø19	40
32	31	178	63	98.4	63	17	2	4-Ø19	50
40	39	190	71	114.3	71	19	2	4-Ø22	70
50	49	216	90	127	90	20	2	8-Ø19	90
65	64	241	103	149.2	103	23	2	8-Ø22	130
80	79	282	125	168.3	125	26	2	8-Ø22	270
100	99	305	155	200	155	29	2	8-Ø22	300
150	150	403	210		317.5	33	2		
200	200	502	268		317.5	39	2		

PERFORMANCE SPECIFICATIONS			
Nominal Pressure		CLASS 300	
Test Pressure	Shell Test	7.5	MPa
	Gas Test	0.6	
Working Pressure		-10 ~ 120	°C
Medium: Water, Oil & Gas			



+27 (011) 822 1802

www.msv.co.za

1575 Staal Rd, Knights, Germiston, Gauteng, SA

**2020W 300 2 PIECE FULL BORE SS VALVE FLANGED**