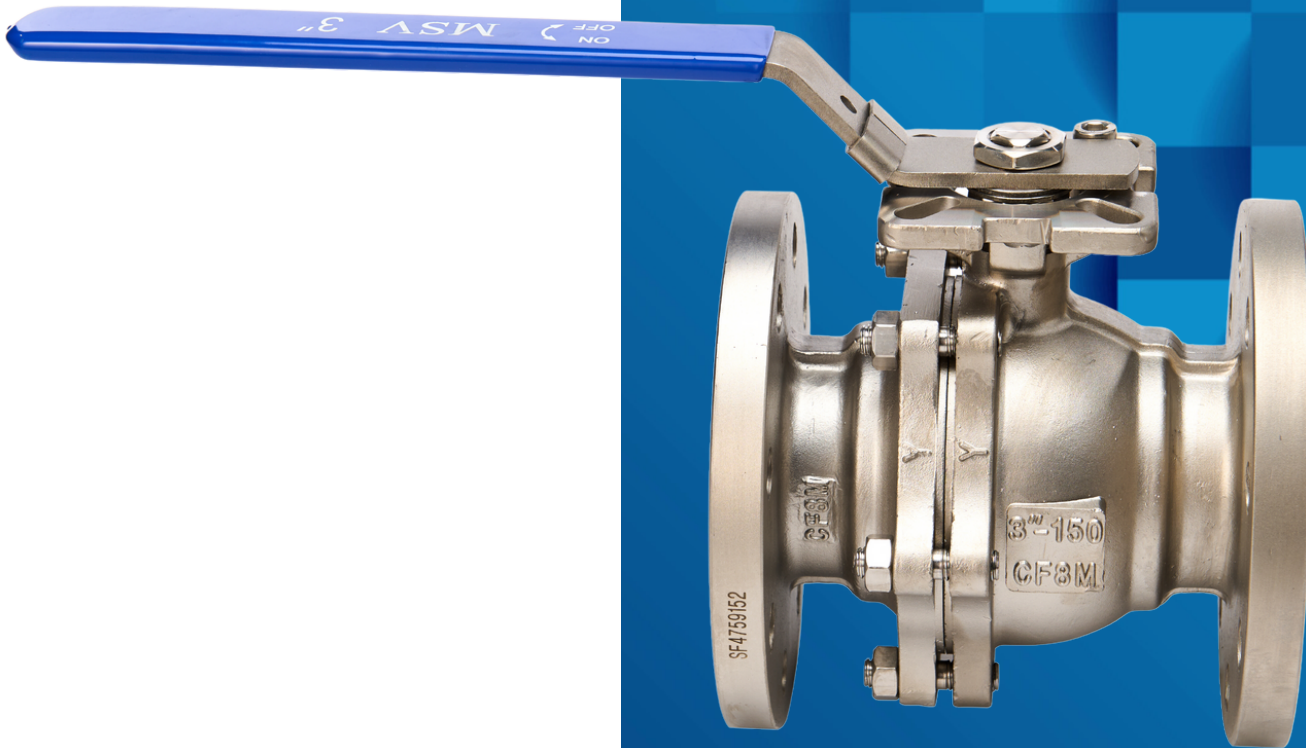




MACNEIL STEEL AND VALVES (PTY) LTD



# 2020SW 2 PIECE FULL BORE STAINLESS STEEL VALVE FLANGED

+27 (011) 822 1802

[www.msv.co.za](http://www.msv.co.za)

1575 Staal Rd, Knights,  
Germiston, Gauteng, SA



## 2020SW 2 PIECE FULL BORE STAINLESS STEEL BALL VALVE FLANGED, FIRE SAFE DESIGN

### TECHNICAL SPECIFICATIONS:

1. Design and manufacture to ASTM B16.34
2. Face to Face according to ASME B16.10
3. End Connection refer to ASME B16.5 / 1123 T1600/3
4. Inspection and Test according to API 598
5. 1" – 4" Direct Mounting pad According to ISO5211; 6" Normal Mounting Pad
6. Anti-Blow out Stem Construction
7. 25 – 80mm PN16 Flange
8. 100 – 200mm ASA150 Flange

### MATERIAL SPECIFICATIONS:

- 316SS - BODY
- 304ss - BALL
- PTFE - SEATS & SEALS
- 316SS - LOCKABLE LEVER

No.	Part Name	Material
1	Body	CF8M
2	Body	CF8M
3	Bolt	A193 B8
4	Nut	A194 8
5	Seat	RTFE
6	Ball	304
7	Seal	RTFE
8	Stem	304
9	Thrust Washer	PTFE
10	Packing	PTFE
11	Packing Gland	304
12	Spring	SS304
13	Loose resistant cover	304

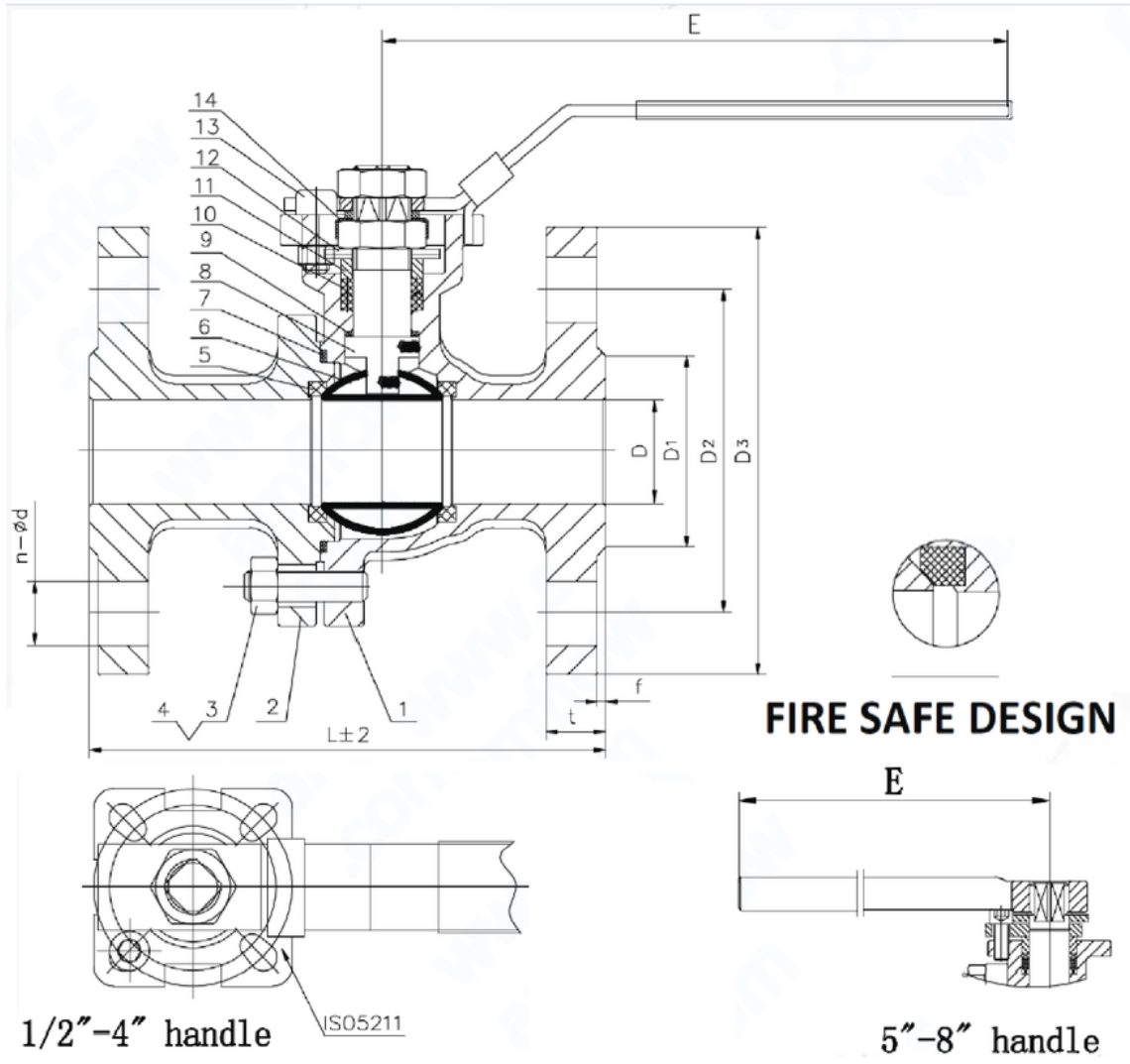
Nominal Diameter (mm)	Main Dimensions (mm)										
	D	L	E1	D1	D2	D3	t	n-d2	Torque N.m.	ISO5211	Weight KG
15	15	108	150	45	65	95	11.5	4- ø 14	8	F03/F04	
20	20	117	150	58	75	105	12	4- ø 14	9	F03/F04	
25	25	127	205	51	85	115	13.2	4- ø 14	14	F04/F05	3.2
32	32	140	205	63.5	100	140	13.5	4- ø 18	23	F04/F05	3.75
40	38	165	165	66	73	110	15	4- ø 18	32	F05/F07	6.3
50	50	178	266	92	125	165	17	4- ø 18	55	F05/F07	7.6
65	65	190	266	104.5	145	185	19.3	4- ø 18	80	F07/F10	11.9
80	80	203	390	127	160	200	21	8- ø 18	105	F07/F10	14.8
100	100	229	390	157	180	229	23	8- ø 18	165	F07/F10	22.5
150	150	394	743	216	240	280	24	8- ø 22	490		47
200	200	457	850	268	295	340	28	12- ø 22	700		83



MACNEIL STEEL AND VALVES (PTY) LTD



PERFORMANCE SPECIFICATIONS			
Nominal Pressure		CLASS 150	
Test Pressure	Shell Test	3.0	MPa
	Seat Test	2.2	
Working Pressure		-29 ~ 150	°C
Medium: Water, Oil & Gas			



+27 (011) 822 1802

www.msv.co.za

1575 Staal Rd, Knights, Germiston, Gauteng, SA

2020SW STAINLESS STEEL BALL VALVE