

A B C D E F

1

1

2

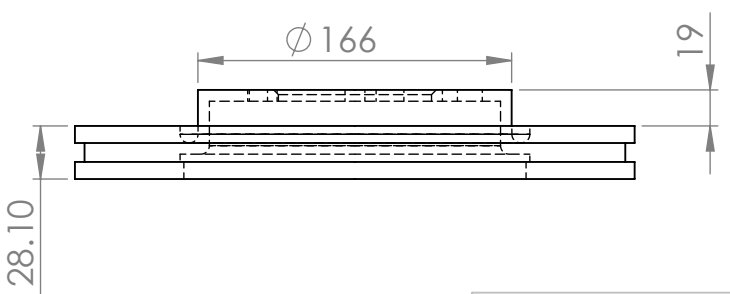
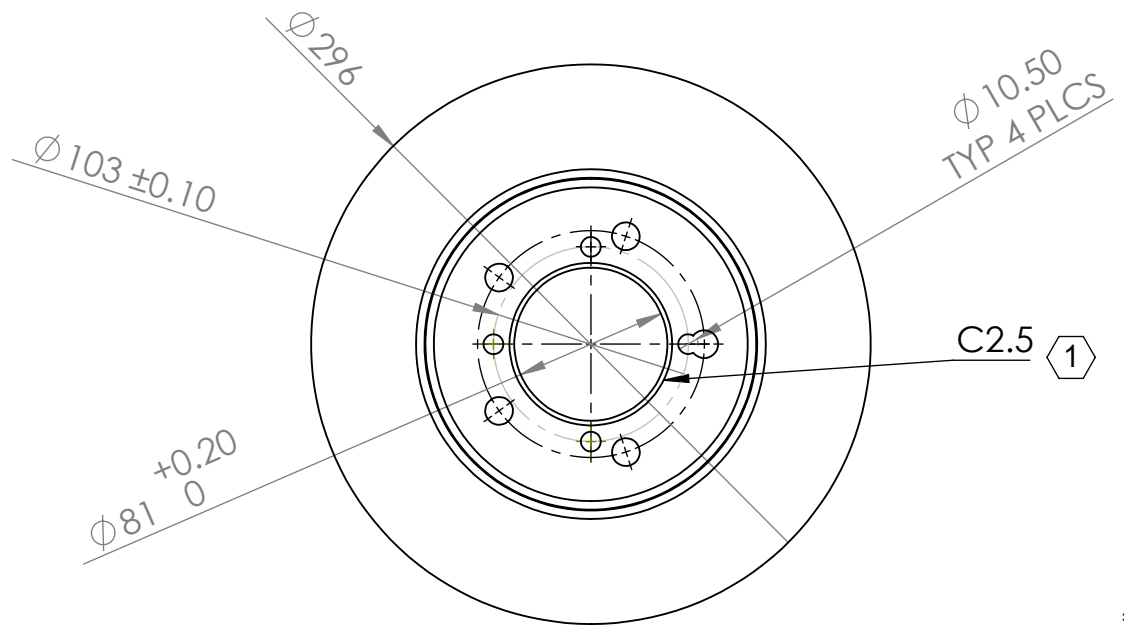
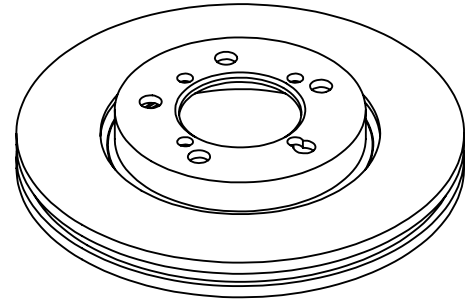
2

3

3

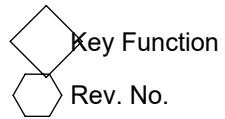
4

4



NOTE

Rotor is a factory 2005-2010 Honda Odyssey front.



Rev	Date	Pos.	Description	Drw.	Appr
1	1-15-20	---	Added Chamfer	A.Mielke	
0	11-27-18	---	New Release	A.Mielke	

63 (✓)		Scale:	Tolerances			Assy	-----
Finish: NA		Corners:	±0.2	+0.2	±1 °		
Heat Treatment NA			DIM	HOLES	ANGLES	Part Name	Modified Honda Odyssey Rotor
Material: NA			App.	ARM			
Weight:		Units: mm	Drw.	ARM		1	Part Ref No.
Milkyfab		File:	Dsgn	ARM	1		
		Draw No.	MF_007-01	MF_007-01	Sheet 1 of 1	QNT	

A B C D E F