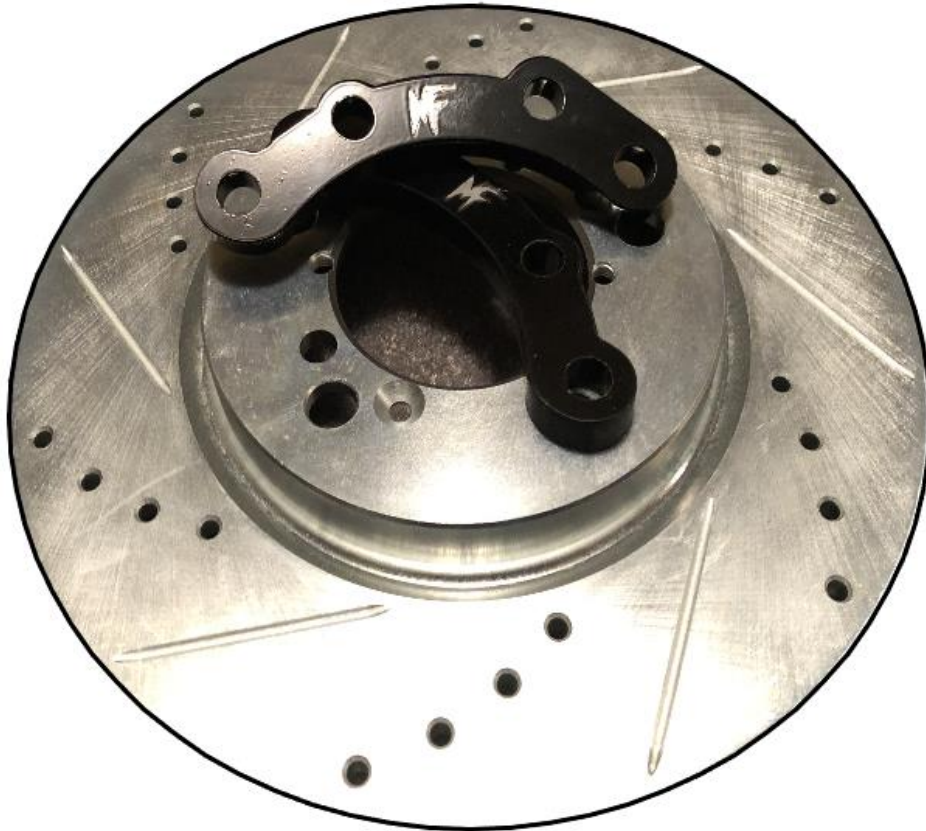




S30z Front Z32 Brake Caliper Conversion Kit Installation Manual



Index:

1. Disclaimer
2. Parts List
3. Installation Guide

Disclaimer

A vehicle modified with MilkFab Engineering products is intended for off road use only. It is the purchaser's responsibility to check and comply with all local, state, and federal laws prior to operating vehicle. Installation and use of performance products may also affect and void warranty. MilkFab Engineering shall not be liable for direct, indirect, incidental, or consequential damage to persons or property that might be claimed as a result from installation, improper installation, and failure of part including claims for delay, loss of profit, or labor.

Parts List

Parts Included

Quantity	Description
2	MilkFab Z32 Caliper Brackets
8	M12 x1.25mm x 30mm Grade 8.8 Hex Cap Bolts
8	12.7mm ID Split Lock Washers
2	Modified Honda Odyssey Front Brake Rotors
1	MilkFab S30z Front Z32 Brake Caliper Conversion Kit Installation Manual
1	MilkFab Honda Odyssey Front Brake Rotor Modification Drawing

Additional Parts Needed

Quantity	Description
1	Pair of 1991-1996 Aluminum/Steel 30mm Z32 300ZX Front Brake Calipers
1	Set of Front Brake Pads for Z32 300ZX

Installation Guide

WARNING! Extreme caution should be taken when performing ANY maintenance or performance upgrades to your vehicle. Please observe and abide by any Warning or Caution labels placed on the various components and tools used when servicing your vehicle. If you have any questions regarding the installation or the various components included with the S30z Front Z32 Brake Caliper Conversion Kit, consult with a Professional Mechanic or contact MilkFab Engineering for more information.

BRAKE FLUID WARNING! Please be aware that Brake Fluid will damage any painted surfaces if left for an extended period of time. Use extreme caution when handling parts or painted body panels after coming into contact with Brake Fluid. Clean up spills or leaks as quickly as possible to prevent damage to the finish of the various suspension and body components.

Disassembly:

****BEFORE YOU BEGIN!****

Remove all contents from the MilkFab S30z Front Z32 Brake Caliper Conversion Kit and verify that ALL necessary hardware is present.

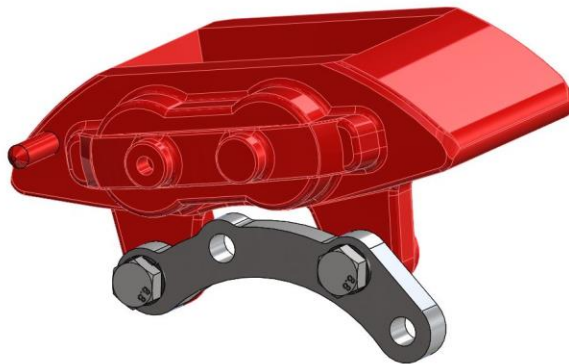
1. Properly raise and support your s30 using jack stands and the proper jacking points on your vehicle's chassis. (refer to vehicle's owner's manual)
2. Apply the parking brake.
3. Raise the vehicle's hood.
4. Remove front wheels.
5. With the front wheels removed, begin the disassembly of the stock s30 brake system:
 - a. Disconnect the front brake lines from the brake caliper and the brake hose mount on the strut. (use caution when handling brake fluid)
 - b. Unbolt the two 17mm bolts securing the brake caliper to the strut and remove caliper.
 - c. Remove the wheel hub dust cap, the spindle nut cotter pin, and the spindle nut.

- d. Carefully remove the hub from the spindle taking care not to drop or loose the outer wheel bearing.
 - e. Unbolt the rotor from the hub by removing the four 14mm mounting bolts on the back of the rotor/hub. **Save These Bolts as They Will be Re-used.**
 - f. Remove the stock brake rotors from the hub assembly.
6. Remove the factory dust shield by removing the four Phillips mounting screws.

Installation:

In order to install the MilkFab S30z Front Z32 Brake Caliper Conversion Kit, the factory dust shields must either be removed completely or slightly modified to clear the brake rotor and brake caliper.

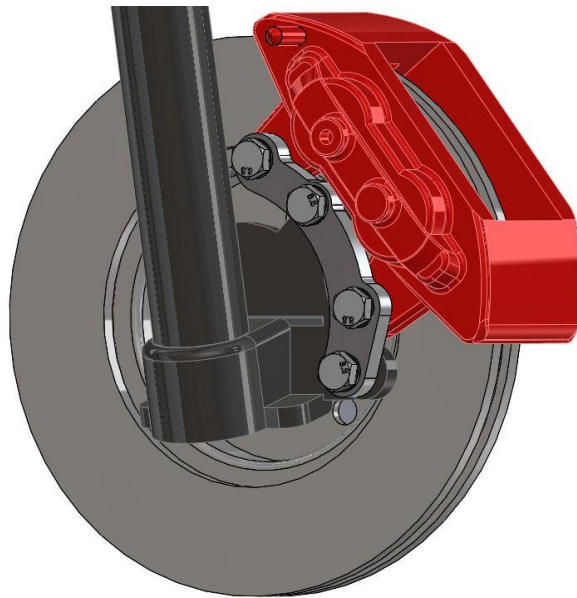
7. Locate the two MilkFab Z32 Caliper Brackets, the eight supplied M12 x 30mm Bolts, and the eight Split Lock Washers.
8. Position the caliper brackets onto the Z32 brake caliper as seen below.



9. Install the lock washers onto the M12 x 30mm bolts, apply thread locking compound to the bolt threads, and torque the caliper mounting bolts to 75 ft-lb. (this step will not be possible once the calipers are installed due to tight clearances)
10. Install the Honda Odyssey rotors onto the back side of the hub and install the bolts removed from step 5.e. (depending on rust/scale build up it may be

required to use a wire brush or emery cloth to clean the back of the hub to allow the brake rotor to seat correctly on the hub)

- 11.** Torque the rotor bolts in a crisscross pattern to 20 ft-lb to properly seat the rotor followed by a final torque step of 35 ft-lb.
- 12.** Reinstall the hub and rotor combination back onto the spindle.
- 13.** With the inner wheel bearing well seated, and the outer wheel bearing and bearing washer in place, turn the spindle nut in until hand tight.
- 14.** Spin hub while torqueing spindle nut to 24 ft-lb, once at 24 ft-lb of torque turn spindle nut counter clockwise until the first available position on the spindle nut lines up with the cotter pin hole.
- 15.** Re-install cotter pin and the hub dust cap.
- 16.** Install loaded Z32 brake caliper with MilkFab bracket attached onto the brake rotor.
- 17.** Rotate caliper such that the bleeder is the highest point and the bracket holes align with the mounting holes in the strut as seen below.



- 18.** Install the lock washers onto the M12 x 30mm bolts, apply thread locking compound to the bolt threads, and insert them through the adapter bracket into the mounting holes. Torque the caliper bracket mounting bolts to 75 ft-lb.

- 19.** Re-install the brake line between the caliper and strut (it may be required to modify the bends in the hard line between the caliper and the brake hose that mounts to the strut)
- 20.** Repeat steps 8-19 for both sides of the vehicle.
- 21.** Bleed the brake system.
- 22.** Re-install front wheels.
- 23.** Perform a final test drive of the vehicle.

Disclaimer: This brake kit fits under most 15" diameter wheels. However, due to variation in wheel designs there may be brake caliper interference with the spoke back face and barrel of some wheels. The use of wheel spacers may be required to fit this kit on cars with these wheel designs.