



bond

31

HURTADO[®]
E V O L U T I O N

HURTADO[®] Collections Overview 2023

About Hurtado



Hurtado was established in 1940, and the company is currently managed by the family's third generation. Hurtado manufactures all its furniture in Valencia, Spain. Headquarters in the United States are in High Point, North Carolina. The cornerstone of Hurtado's quality furniture is the attention to detail and hand-crafted artistry.

208 W English Road, High Point, NC 27262

Evolution Wood Finishes

Customers can choose any wood finish for pieces in this collection

Most finishes come in three sheens: matte, satin, and high sheen

High Sheen Finishes are a 10% increase in price

Hurtado also offers 5 colored lacquers in matte or high sheen finishes

EVOLUTION WOOD FINISHES

OAK MATTE FINISHES



100 - Natural



101 - Sand



103 - Tobacco



105 - Honey



106 - Brown



108 - Black

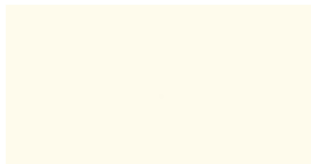


109 - Champagne



110 - Graphite

LACQUER FINISHES



White

836 - Matte

736 - High Sheen



Beige

838 - Matte

738 - High Sheen



Grey

845 - Matte

745 - High Sheen



Mink

847 - Matte

747 - High Sheen



Black

849 - Matte

749 - High Sheen

WALNUT



Almond
809 - Matte
509 - Satin
709 - High Sheen



Natural
813 - Matte
713 - High Sheen



Dark Walnut
825 - Matte
525 - Satin
725 - High Sheen



Walnut
835 - Matte
525 - Satin
725 - High Sheen

EUCALYPTUS



Mink frize
886 - Matte
586 - Satin
786 - High Sheen



Grey frize
885 - Matte
585 - Satin
785 - High Sheen



Grey pearl
874 - Matte
574 - Satin
774 - High Sheen



Olive
875 - Matte
575 - Satin
775 - High Sheen

MAPLE



White maple
878 - Matte
578 - Satin
778 - High Sheen



Brown maple
880 - Matte
580 - Satin
780 - High Sheen



Rosewood
876 - Matte
576 - Satin
776 - High Sheen



Dark rosewood
881 - Matte
581 - Satin
781 - High Sheen

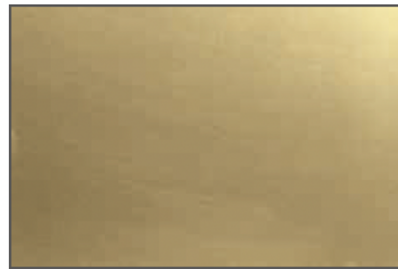


Metal Finishes

Customers can choose any metal finish for pieces in the EVOLUTION collection with no price increase

Metal

HANDCRAFTED
100% IN
SPAIN



■ M 02
BRASS
LATÓN



■ M 06
ANTIC BRASS
LATÓN ANTICUARIO



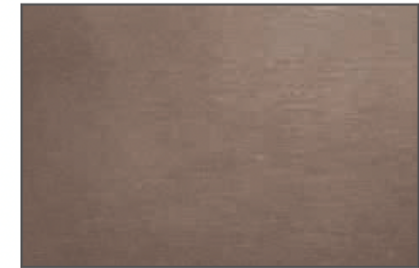
■ M 04
BLACK NICKEL
NÍQUEL NEGRO



■ M 01
STAINLESS STEEL
ACERO INOX



■ M 05
SATIN STAINLESS STEEL
ACERO INOX SATINADO



■ M 03
BRONZE
BRONCE

Marbles

Hurtado offers
3 standard
marble options
and 3 premium
options



■ Imperial (Standard)



■ Imperial Light / Imperial Claro (Standard)



■ Green / Verde (Standard)



■ Black / Negro (Premium)



■ Carrara (Premium)



■ Ferrato (Premium)



Evolution Collections

General Information

- Hurtado finishes all furniture on the inside with the same finished used on the outside
- Customers can choose customized lacquers through the RAL color system with a 10% increase in price
- All pieces offered in various sizes
- Available bed sizes: California King (add CK to your reference number when ordering), king, and queen
 - We offer European and US bed sizes
 - Wooden slats are optional for all beds
 - Beds from every collection can be built to fit the customers mattress if specific measurements are provided
- Hurtado offers COM but customers are responsible for shipping their fabric to the factory in Valencia, Spain
 - Hurtado does not offer customer-owned leather services

Bed Sizes

To order a California King, add "CK" to the reference number. King, and Queen are indicated on the price list in the reference number.

- Hurtado offers European and US bed sizes
- Wooden slats are optional for all beds
- Beds from every collection can be built to fit the customers mattress if specific measurements are provided

DORMITORIO - BEDROOM

USA King Mattress / Colchón: Inches: 76" x 80" | CM:193 x 203cm



Mattress / Colchón Inches 70 3/4" x 78 3/4" | CM: 180 x 200 cm



Mattress / Colchón Inches 60 1/4" x 80" | CM: 153 x 203 cm

Mattress / Colchón Inches 59" x 78 3/4" | CM: 150 x 200 cm



BOKP01 CAMA KING TAPIZADO (USA)

LARGO 224 cm PROF. 220 cm ALTO 180 cm

METRAJE / C.O.M.
7,5m / 8,2yds

UPHOLSTERED KING SIZE BED

INCHES: W88 1/4" D86 1/2" H70 3/4"

CM: W 224 cm D 220 cm H 180 cm

Vol: 0,88 m3 - 31 f3 | Gross W.: 157 kgs - 346 Lbs | Box: 5

Somier | Wooden slat +

B | COM
C1
C2
C3
C4
C6/Lthr
C7/Lthr

BOKP02 CAMA KING TAPIZADO (EU)

LARGO 211 cm PROF. 220 cm ALTO 180 cm

METRAJE / C.O.M.
7,5m / 8,2yds

UPHOLSTERED KING SIZE BED

INCHES: W83" D86 1/2" H70 3/4"

CM: W 211 cm D 220 cm H 180 cm

Vol: 0,85 m3 - 30 f3 | Gross W.: 157 kgs - 346 Lbs | Box: 5

Somier | Wooden slat +

B | COM
C1
C2
C3
C4
C6/Lthr
C7/Lthr

BOQP01 CAMA QUEEN TAPIZADO

LARGO 184 cm PROF. 220 cm ALTO 180 cm

METRAJE / C.O.M.
7,5m / 8,2yds

UPHOLSTERED QUEEN SIZE BED

INCHES: W72 1/2" D86 1/2" H70 3/4"

CM: W 184 cm D 220 cm H 180 cm

Vol: 0,66 m3 - 23 f3 | Gross W.: 100 kgs - 220 Lbs | Box: 4

Somier | Wooden slat +

B | COM
C1
C2
C3
C4
C6/Lthr
C7/Lthr

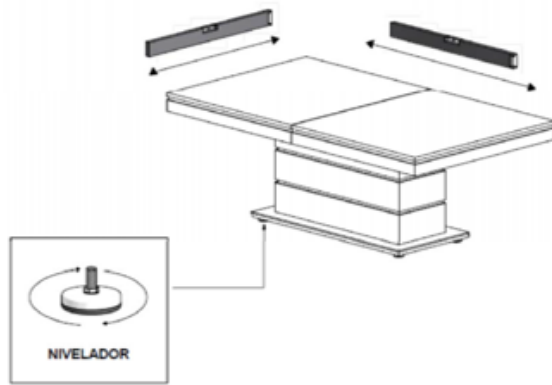
Bed Construction



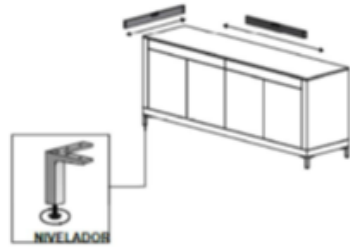
All beds have 3 crossbars; the wooden slat platforms go on top of the crossbars.

Leveling

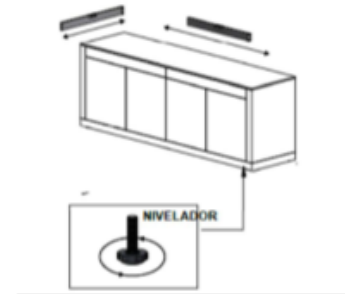
-General instructions on leveling tables with bases:



-Furniture with legs have the leveller on the bottom of each leg:

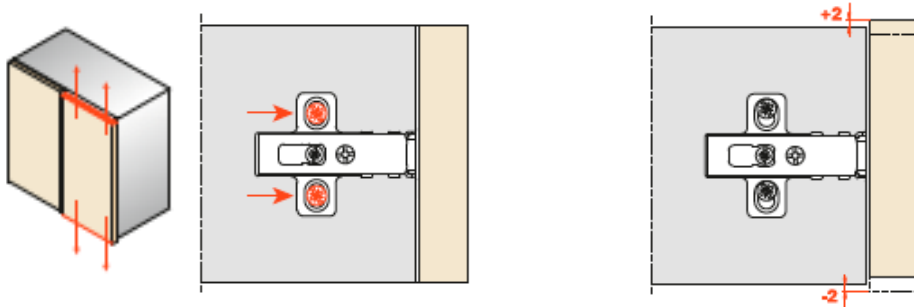


-Furniture with bases have leveller on inside of base:



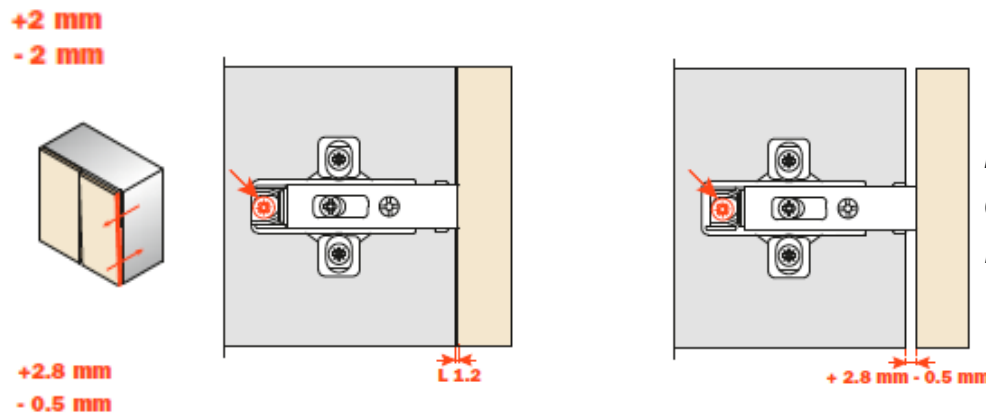
Door Leveling

Vertical Adjustment



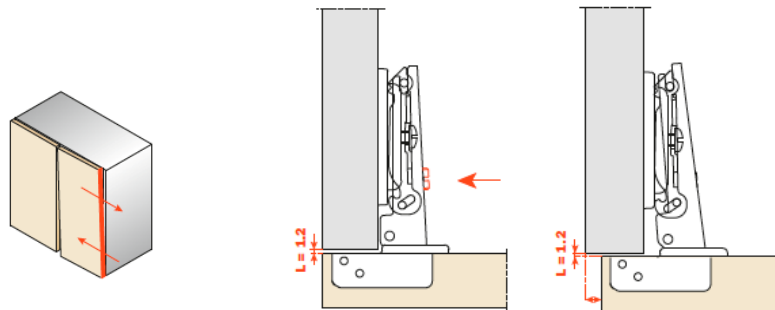
By loosening the two fixing screws it is possible to adjust the door vertically by ± 2 mm. The elongated holes allow the mounting plate to slide freely in both directions. Finally, the screws must be retightened.

Depth Adjustment



The hinge fixing screw is loosened and a keyhole on the arm of the hinge enables the door to be adjusted frontally by +2.8 mm. Finally, the fixing screw must be retightened.

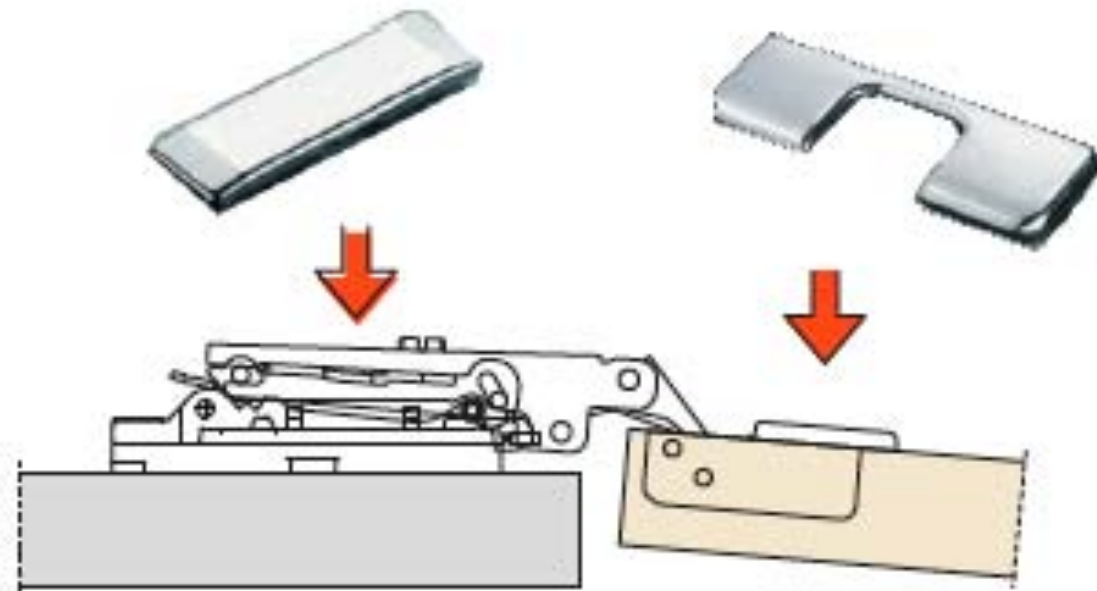
Side-to-side Adjustment



The adjustment screw operates in conjunction with the inner leaf of the hinge arm. The door moves in only one plane - parallel to the carcass and without a gap developing between the door and the carcass. No further adjustments are necessary. There is no gap to reduce.

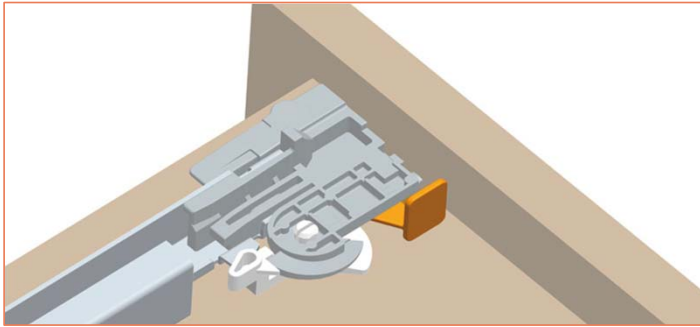
Leveling

Door Leveling



Once hinges are adjusted, we provide metal hinge covers in a plastic bag. Please, use them when you have finished to adjust the doors.

Drawers Leveling



Fixing of the drawer security pin

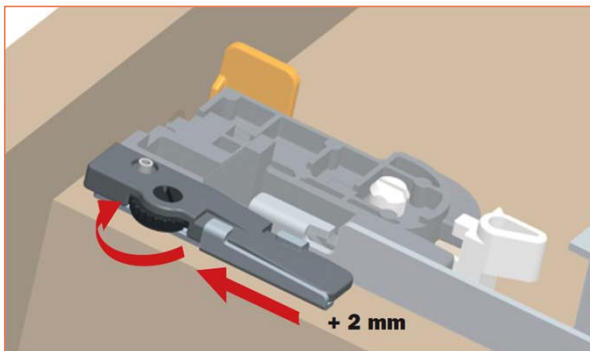
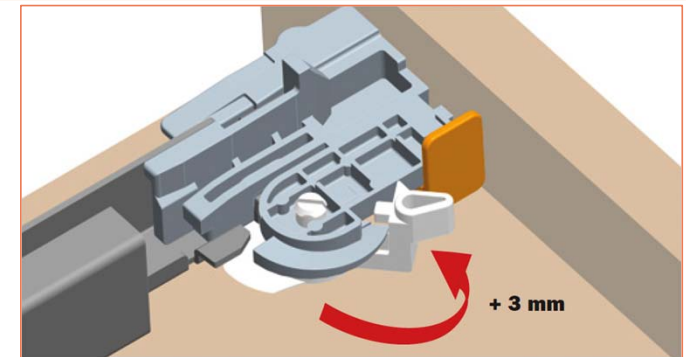
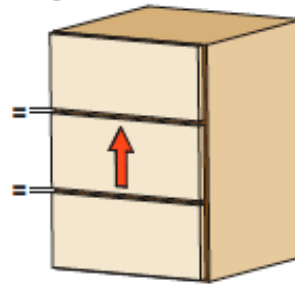
Available on all runner versions.

This operation is tool free.

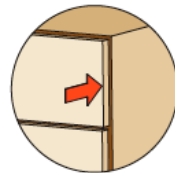
The device locks the drawer onto the runners.

Height Adjustment

Turn the lever towards the front of the drawer to achieve the height adjustment. This operation is tool free.



Rotate the black wheel towards the front of the drawer to increase the gap between the front and the side.



Rotate the black wheel towards the back of the drawer to reduce the gap between the front and the side.

Colección
bond

Bond Bed



The headboard is offered in two heights

Customers have the option of choosing a wooden headboard with the geometric Bond design, or an upholstered headboard



Nightstands

Nightstands are available in both wood and marble top

The finish you choose can make the design more prominent; a matte finish with the bonded geometric pattern makes a statement

Bond collection features an interlaced metal base

the geometric design on the table matches the backs of the corresponding chairs

wood-top tables come with self-storing extensions that have the geometric design on them



Dining

dining tables are offered in a wood or marble top option

Dining

The Bond dining table is also offered in a marble top option.

Customers can choose between the Carrara, Black, or Ferrato premium marbles.



Credenzas

Credenzas are offered with or without a center drawer; different options will be indicated by reference number on the price list



city
colección

City Bed



Headboard Design Options:

- Metal frame with a wood panel
- Metal frame with an upholstered panel

Previously there were separate reference number for bases and headboards. Now there are only reference numbers for complete beds

HURTADO no longer offers back panels to go behind beds and nightstands; back panels are only offered for wall units



Dining

The City collection offers wood and glass top dining tables.



Dining



Customers have the option to order a side extension piece for the City rectangular glass-top table CT0012.

Wall Units Basics

Back panels are on the Evolution price list, in the City collection. There are two sizes available.

Cut outs can be created to accommodate mounted TV's and cables if the customer provides specific measurements.



CT3984 **PANEL**

LARGO 120 cm PROF. 5 cm ALTO 230 cm

BACKPANEL

INCHES: W47 1/4" D2" H90 1/2"

CM: W 120 cm D 5 cm H 230 cm

Vol: 0,37 m3 - 13 f3 | Gross W.: 37 kgs - 82 Lbs | Box: 1



CT3985 **PANEL**

LARGO 90 cm PROF. 5 cm ALTO 230 cm

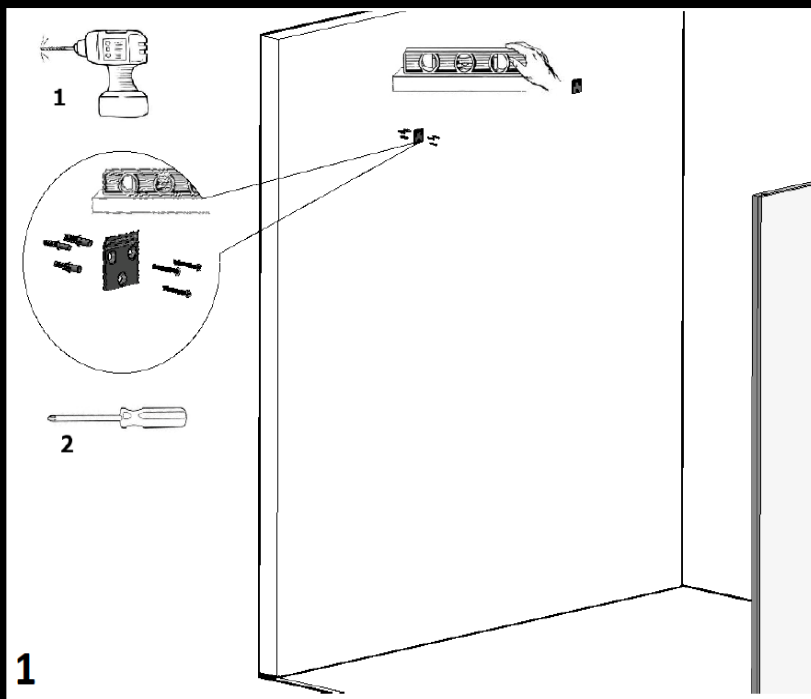
BACKPANEL

INCHES: W35 1/2" D1 3/4" H90 1/2"

CM: W 90 cm D 5 cm H 230 cm

Vol: 0,28 m3 - 10 f3 | Gross W.: 43 kgs - 95 Lbs | Box: 1

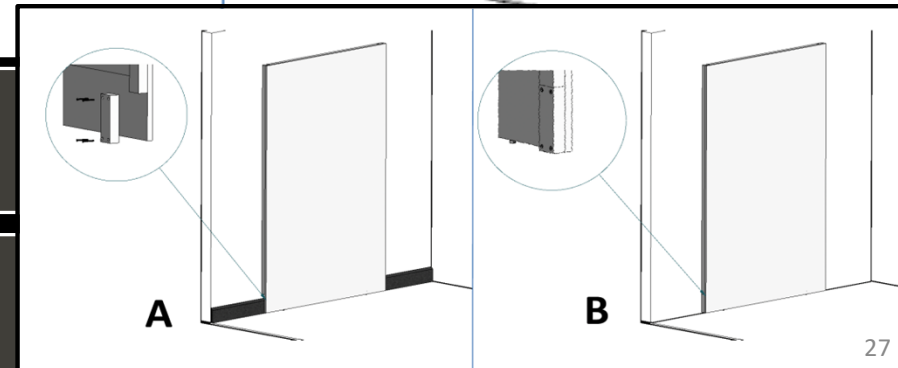
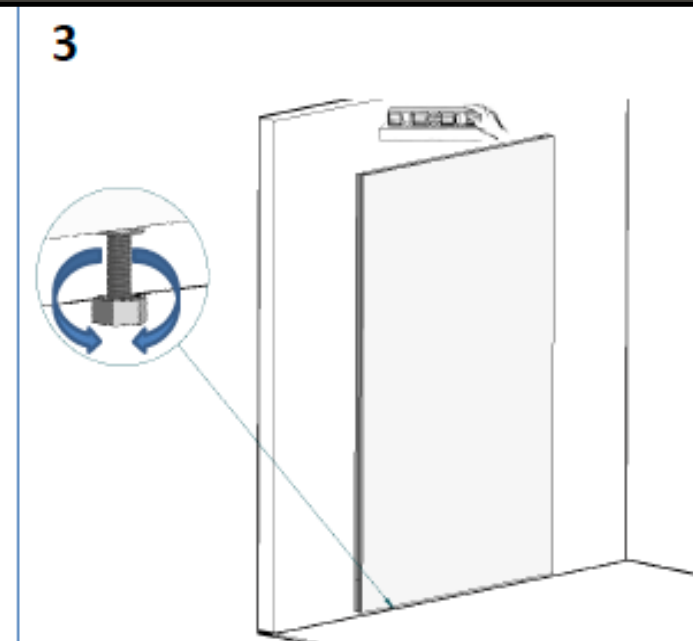
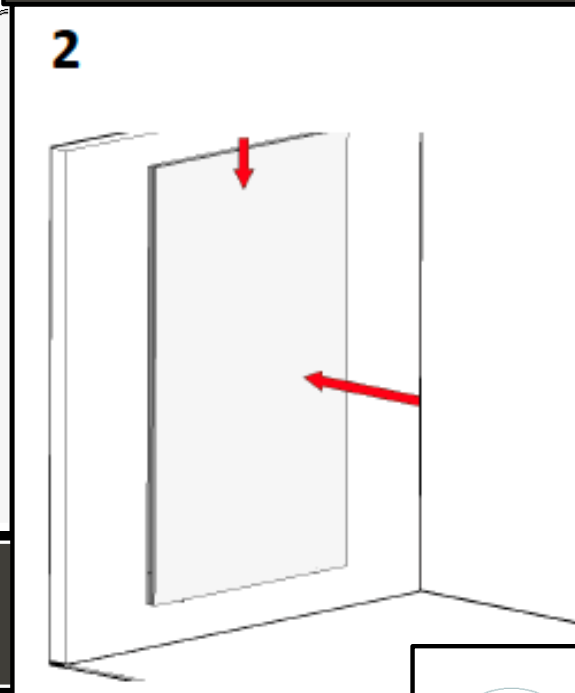
Back Panel Installation



The back panel rests on the ground for optimal support.

If customer choose to use a back panel, it is the only piece mounted directly to the wall

A removable piece is included at the bottom of the panel to accommodate molding – piece is 6" high.



Wall Units

Hanging component options include glass and wood doors, and wooden shelves in a variety of sizes.

Each piece attaches to the back panel and can be customized through wood and metal finish selections.

If the customer does not want a back panel, the shelves and hanging modules can mount directly onto the wall with the appropriate hardware.



Modules

Various sizes of modules available can be found on the price list in the City collection.

Modules are offered with and without the metal legs; this is reflected on the price list by reference number without a dash.

Dimmable LED 3,000k with touch dimming remote controller. Compatible with Google Assistant and Amazon Alexa.

These units are the foundation of the design and can be customized with a variety of components including glass and wood doors, and drawers.



CORAL

The Coral bed features an upholstered headboard and railings

The headboard is available in two heights: the tallest option being 71 inches and the lower option being 55 inches tall



Dining tables are offered in a fixed top or with extensions

Extensions are not self-storing

Lazy Susan's are available for Coral dining tables



Credenzas

The Coral has a new base and pulls

Newer credenzas have the option of a center drawer

OLD VERSION



NEW VERSION





Credenzas

Credenzas are offered in 3 heights:
35 in., 29 in., or 23 in.

The height of the metal base is 9 in.

Two-Toned furniture is offered for all pieces in the Coral collection.



Combinations:

1. The whole piece is in the same finish
2. Combination of different finishes of walnut
3. Combination of different finishes of oak
4. Combination of any wood finish paired with any lacquer

Customers must specify which part of the piece they want to apply each finish

EMERALD

Signature Starburst Design



The starburst design is made more prominent depending on the wood finish selected for the piece

The Emerald bed features an upholstered headboard and railing

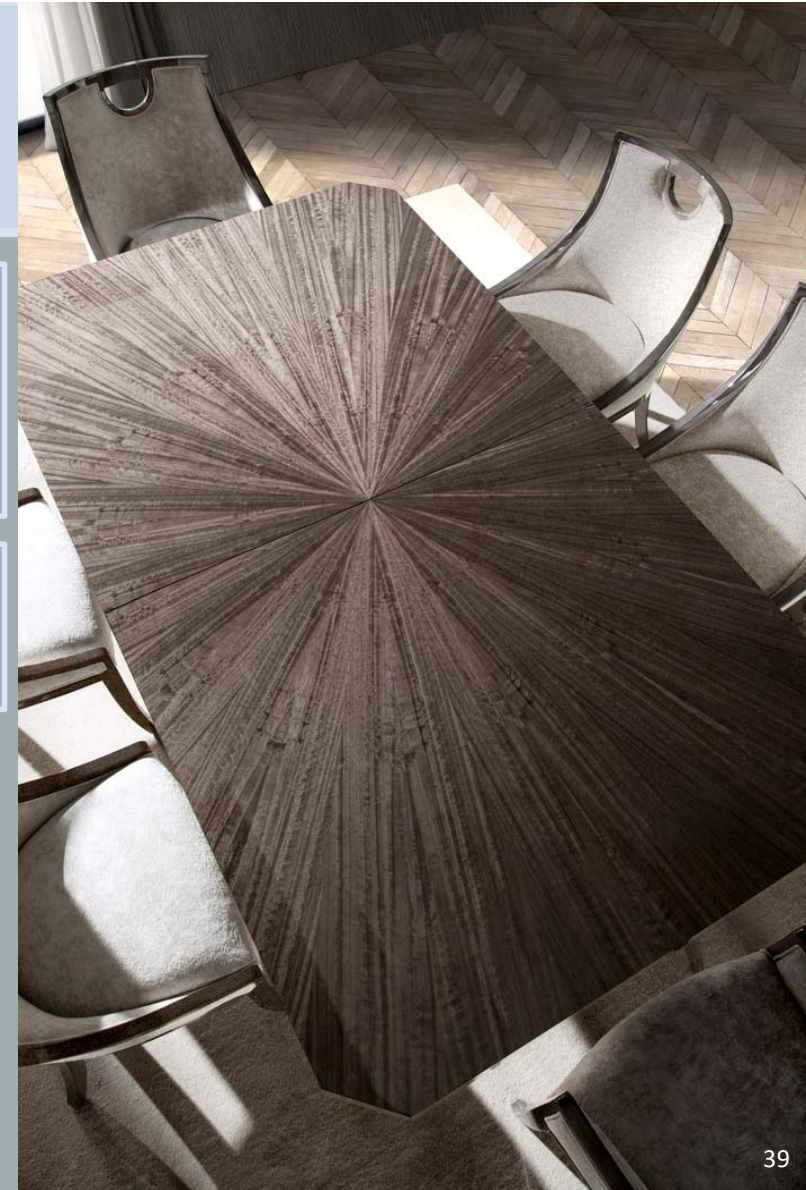


The headboard is offered in two heights: the tallest option is offered at 71 inches while the lower headboard is 55 inches tall

Emerald Dining

Wood-top tables: customers can choose a fixed top or self-storing extensions that have the diamond design on them

Leaves are created to unify the design of the table as shown below



Credenzas are offered in marble or wooden top

Equipped with a touch-latch system for drawers and doors



Executive Office

includes executive desks, bookcases, conference tables, and more



Executive Desk



The left-hand pedestal has 3 drawers while the right has 1 drawer and 1 filing cabinet. Both sides of the desk have locks.

There are 2 hidden doors with a touch-latch system on the front side of the desk, with 1 adjustable shelf inside.



Conference Tables

There are various size options offered for the Emerald conference table.



mon

HURTADO[®]
E V O L U T I O N

Three Bases



Curved metal base
Metal black leather
Handles



Curved wood base (same
color as the furniture)
Metal black leather
Handles



Straight wood base
(same color as the
furniture)
Metal straight Handles

Santa Barbara

Santa Barbara Beds



Beds come with upholstered headboards

Headboards are available in different heights

Divan footboard is optional for storage (check the price list for options)

Tonal Difference

Depending on how light hits the table, changes in the grain direction allows different tones to be seen. The table has the same finish, but different reflections of woods.



The Santa Barbara collection offers a marble-top option for dining tables in all premium marbles.

Mod. SB0020-2
Finish / Acabado: 778
Metal: Brass / Latón
DINING TABLE (Marble top)
INCHES: W78 3/4" D47 1/4" H30 3/4"
CM: W 200 cm D 120 cm H 78 cm
MESA DE COMEDOR (Marmol)
LARGO 200 cm PROF. 120 cm ALTO 78 cm

Mod. SB2002-3
Finish / Acabado: 778
Metal: Brass / Latón
CREDENZA (Marble & Wooden fronts)
INCHES: W83 3/4" D19 3/4" H31 1/2"
CM: W 213 cm D50 cm H 80 cm
APARADOR (Marmol & Frentes madera)
LARGO 213 cm PROF. 50 cm ALTO 80 cm



Credenzas



Furniture can be customized with a marble or wood top, and leather or wood fronts.

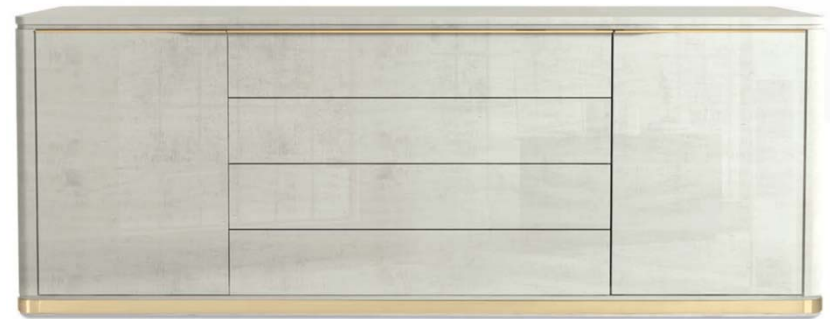
The Soho leather is the **only** leather available for the the front of the Santa Barbara furniture.

Credenzas

Option of marble or wood top, and leather or wood fronts. See the price list for the reference numbers showing the different options.



Wood top, leather front



Wood top, wood front



Marble top, leather front



Marble top, wood front

Desks



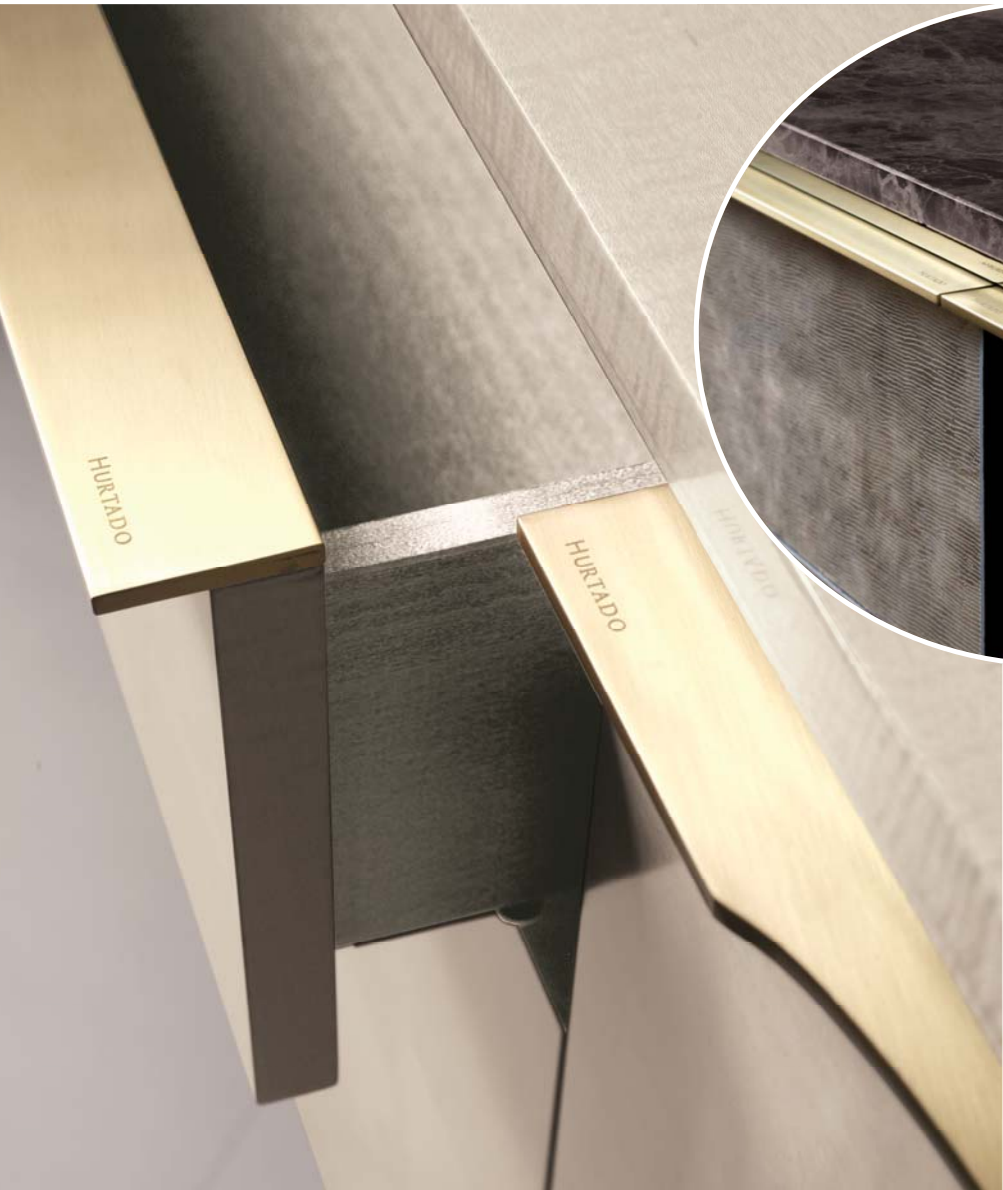
Santa Barbara desks are available in L shapes

Electrical and data kits are available for desks, refer to the price list to see options

Occasional Furniture

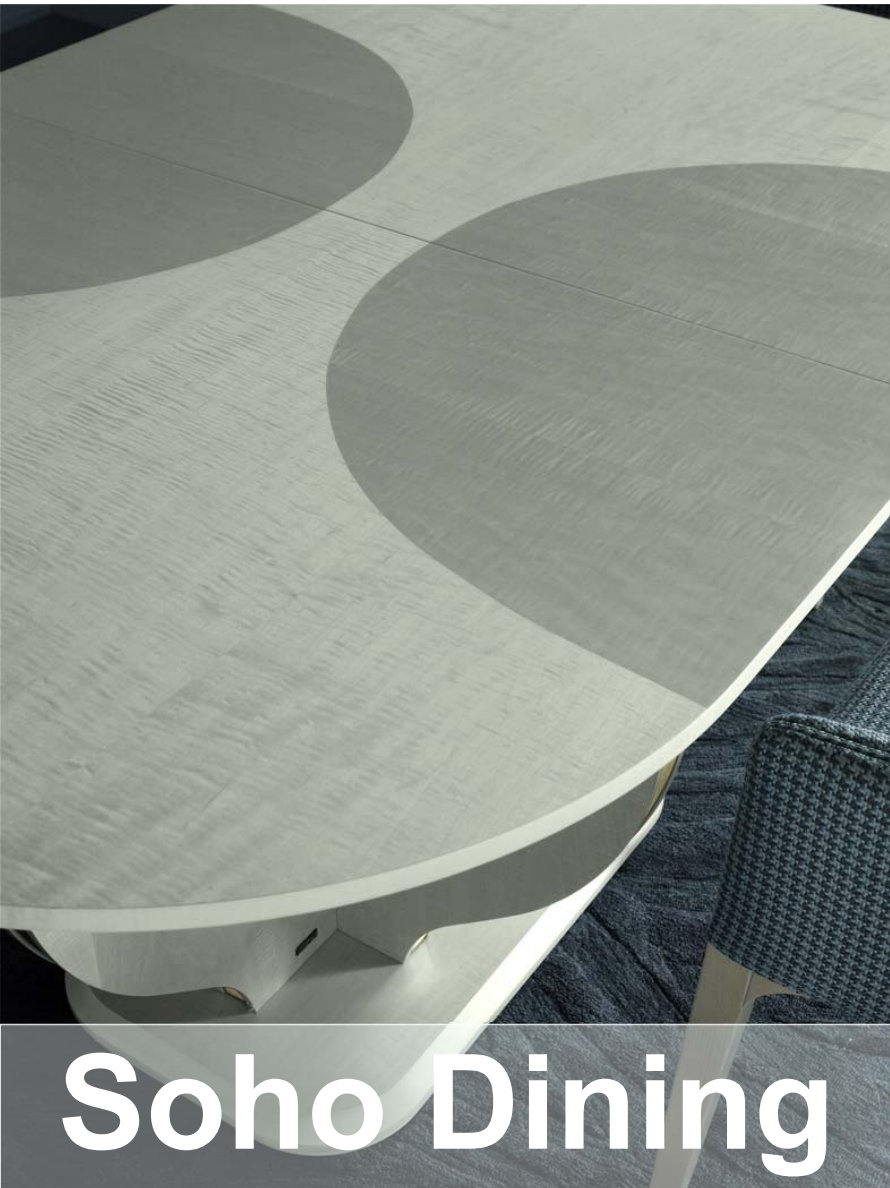


Santa Barbara collection offers a large selection of occasional furniture including bar units, cocktail tables, consoles and more



Upper drawers of each item include a pull system with a soft close system. Bottom drawers come with a touch-latch system.

soho



Tonal differences:

Depending on how light hits the table, changes in the grain direction allows different tones to be seen. The table has the same finish, but different reflections of woods.

Dining tables can come in 4-leg option with wood top, or the original base with wood or glass top. The wood-top dining tables are offered with self-storing extensions, except for the round tables.

Soho Credenza

Option of marble or wood top, and leather or wood fronts. See the price list for the reference numbers showing the different options. Nightstands and chests are also available with a Soho leather front



Wood top, leather front



Marble top, leather front



Wood top, wood front



Marble top, wood front

Jewelry Armoire

The Soho jewelry armoire features 5 drawers with dividers and compartments for rings, watches, bracelets and other valuables, in addition to 3 normal drawers. The doors are equipped with hooks to organize necklaces.



Occasional Furniture

Soho collection offers a large selection of occasional furniture including bar units, cocktail tables, consoles and more.





Upper drawers of each item include a pull system with a soft close system. Bottom drawers come with a touch-latch system.



Traditional Collections

Traditional Finishes

MERLIN, PREMIERE, VERSAILLES

Walnut Veneer



500 - Satin
Almond



535 - Satin
Walnut

DALI



515 - Satin
Elm



516 - Satin
Walnut

ALBENIZ



500 - Satin
Hazelnut

ZAFIRO & DISTINCTION



510 - Satin
Britania

Traditional Finishes

TRIANON



100 - Natural



101 - Sand



103 - Tobacco



105 - Honey



106 - Brown



108 - Black



109 - Champagne



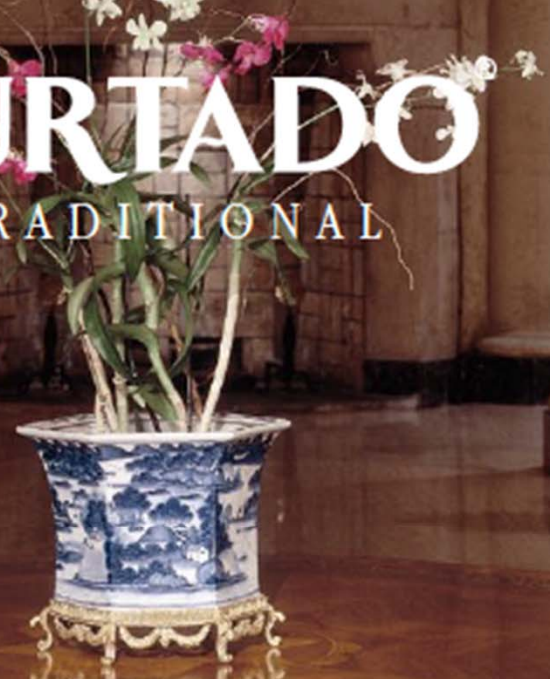
110 - Graphite



938 – Crackle
Parchment



HURTADO
TRADITIONAL



Trianon

The style of Trianon underscores the simplicity and oriental richness of the English Empire period. It combines the use of fine woods like walnut, with insets of cane. Exquisite finishes are accentuated with antique silver or brass appliques.





Trianon

Pieces can be made in Crackle Parchment and all oaks

There is no additional upcharge for silver accents or parchment finish

Offered with solid beechwood and walnut veneers with cane work. Silver and brass hardware.

Versailles

A refined elegance in its simplicity, exceptional in its craftsmanship, and restrained in its decoration is the spirit behind the Versailles collection. Inspired by Marie Antoinette's designs at the palace at Versailles, it exemplifies and expands the geometric patterns of contrasting walnut and boxwood inlays, all intricately crafted.





Versailles

Pieces can be made in all walnut finishes

Walnut veneers with fillets, marquetry, and frets in boxwood. Comes with brass hardware.



Premiere

Pieces can be made in all walnut finishes

Gold and silver accents are optional with a 10% increase in price. Customers must specify desired location.



Premiere

Pieces are made in Walnut and rosewood veneers, olivewood frets, with sycamore wood as the marquetry. Offered with brass hardware



The Imperial table leg goes with gold, which is already included in the price.

MERLIN

Dali



HURTADO®

Traditional Executive Office

Dali



The DALÍ collection is full of highly elegant and traditional designs marked by the use of wood carvings, gold accent features, and burnished edges to accentuate elegance. The collection includes bedroom, dining room, occasional, and executive office.

Dali

Can be made in the following finishes:
515 Satin Elm, 516 Satin Walnut

Dali collection is offered in elm root veneers with brass hardware

Various options of leathers for desktops and conference tables are available



DALI Mod. DA2002
CREDENZA
W 70" D 21 3/4" H 35 1/2"
Three doors and shelf inside.
Three drawers.

APARADOR
Largo 178 cm Profundo 55 cm Alto 90 cm
Tres puertas con estantes interiores.
Tres cajones.

Dali

Gold or silver accents on furniture are optional with no price increase. The customer must specify the desired location.

Merlin

Can be made in all
walnut finishes

Merlin collection is
offered in walnut roots
and veneers with
olivewood frets, and
brass hardware

Various options of
leathers for desktops
and conference tables
are available





HURTADO®

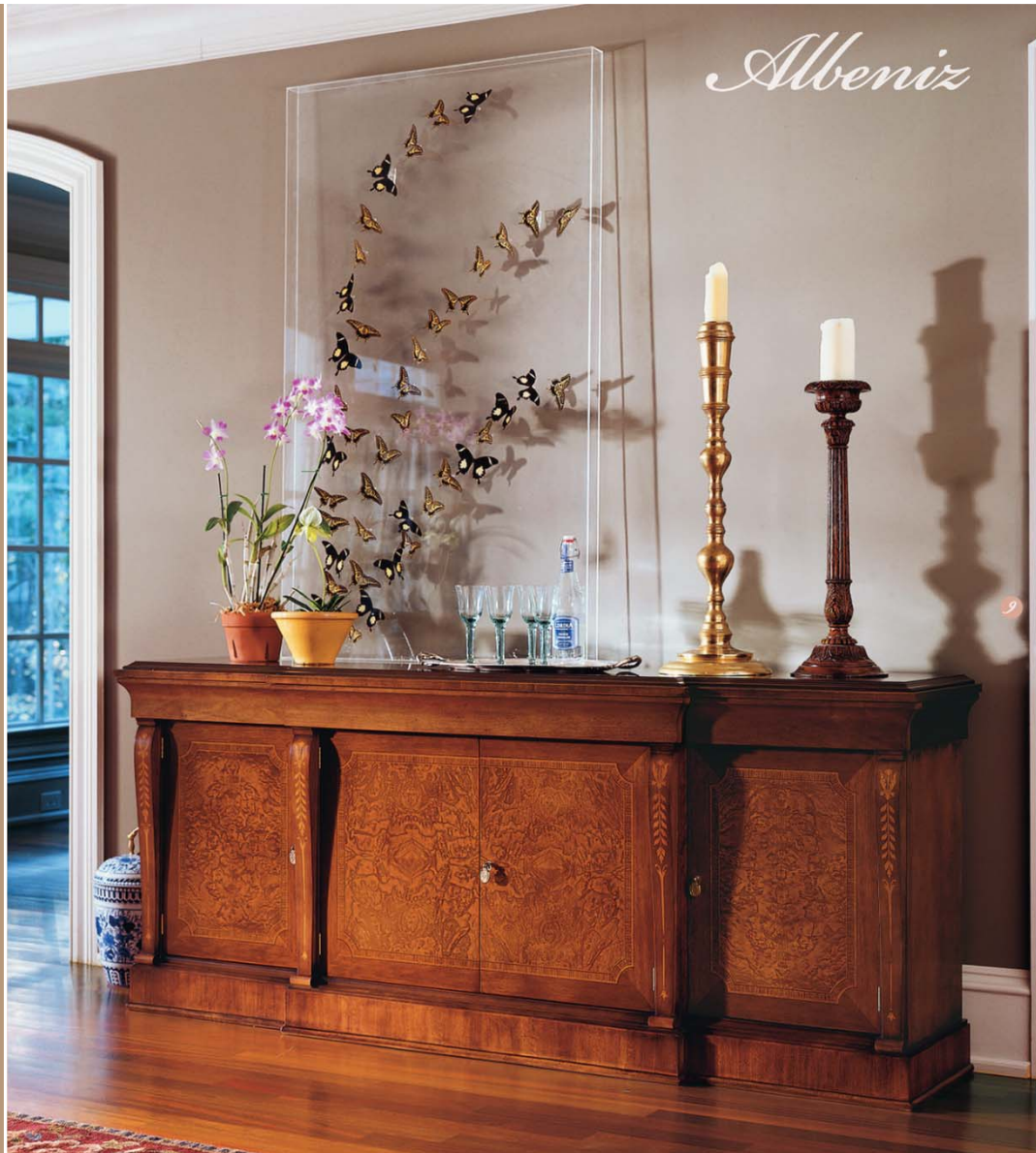
Traditional Executive Office

Albeniz

Selected walnut and ash burl woods are accentuated by olive, box wooden trims and floral inlays. Combination of solid beech wood, ash burl roots and walnut veneers with olivewood frets. Brass hardware



Albeniz



Albeniz

Pieces can be made in the following finish: 500 Satin Hazelnut

Albeniz

Options of
leathers for
desktops and
conference
tables



Zafiro

The executive desk reflects ornate marquetry and subtle curves with Spanish oak burl centerfields. Adding to its unique charm, this desk features a full modesty panel, hidden storage doors and leather centerfield.





Zafiro

Pieces can be made in the following finish: 510 Satin Britania

Combination of solid beech wood with walnut and oak Burl veneers, purple heart frets, and brass hardware.

Shipping

- Current Lead time is 90 to 120 days (3 to 4 months).
- Orders are free on board (FOB) to our warehouse in High Point, North Carolina.
- The delivery from High Point to the customer's desired destination is at the customer's charge.

Contact Information



hurtadomuebles



hurtadomuebles



www.hurtadofurniture.com

Email: customerservice@hurtadofurniture.com

Phone: 336-885-6660

208 W English Road, High Point, NC 27262