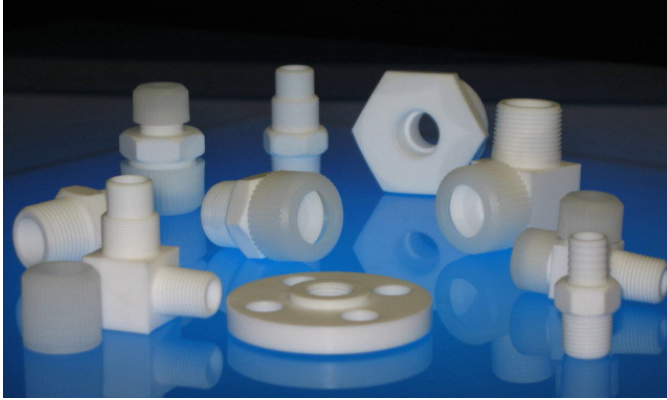


# TEFLON FITTING ASSEMBLY



## Operating Range

**PRESSURE** : 125 PSI for 1/16" fittings decreasing to 30 PSI for 1" fittings (NOTE Specs apply to PLUMBERS style ferrule )

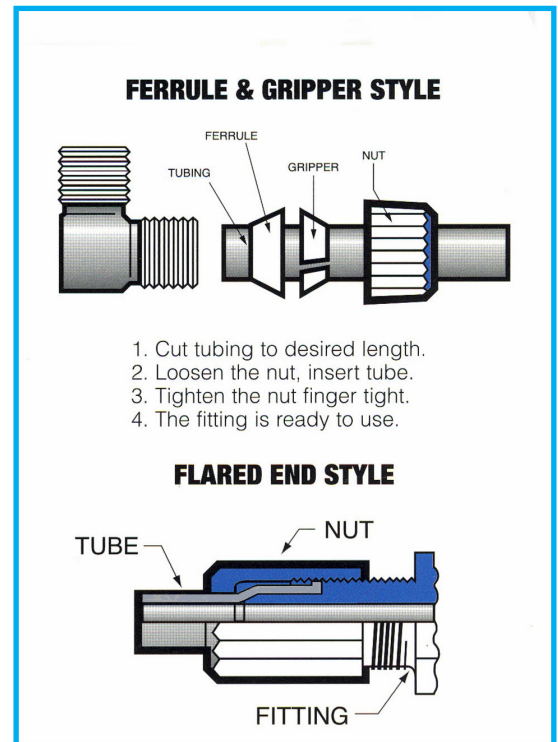
**TEMPERATURES**: -195 degrees C to +204 degrees C  
-320 F to +400 F

## Materials - Standard

**BODIES** : Are precision machined from free sintered 100% pure virgin high density PTFE

## Ferrules and Nuts

**FERRULES** : HA style nuts come equipped with PTFE Ferrule and Kynar gripper set up.  
TA & TS style nuts use a single sleeve PTFE Ferrule



**NUTS** : HA style nuts are standard on compression tube and flared styles. Injection molded PVDF.

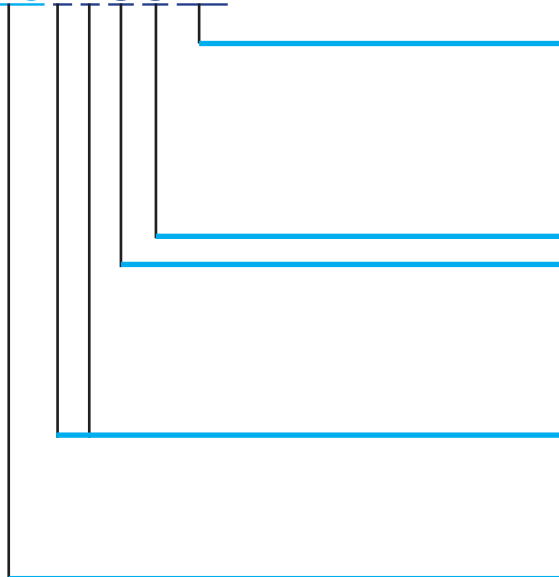
TA\* is considered special item. Machined PTFE with anodized aluminum band support (TEFLON NUT ANODIZED ALUM BAND)

TS\* is considered special item. Machined PTFE with stainless steel band support ( TEFLON NUT STAINLESS STEEL BAND)

\*Although TA & TS Nuts are considered special, Tube fittings can be ordered with these nuts at an additional cost

## How to Order

### MC FF 8 6 HA



#### INDICATES NUT

- HA molded PVDF
- TA machined PTFE with anodized alum support band
- TS machined PTFE with stainless steel support band

#### INDICATES CONNECTION

#### INDICATES CONNECTION

#### Tube O.D , Fnpt, Mnpt, Flared I.D

- 2 = 1/8    12 = 3/4
- 4 = 1/4    16 = 1.0
- 6 = 3/8

#### INDICATES FITTING CATEGORY

- F = Fractional size tube
- M = Metric size tube
- P = FNPT
- FF = Fractional flared

#### INDICATES TYPE OF FITTING    Example MC = Male connector