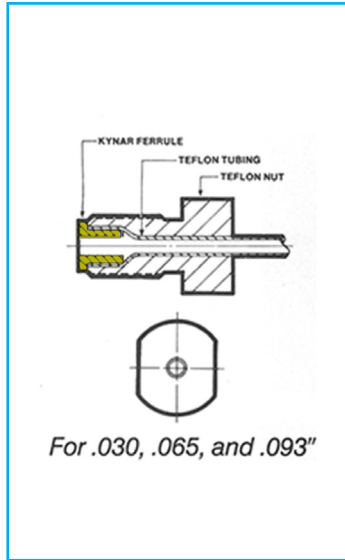
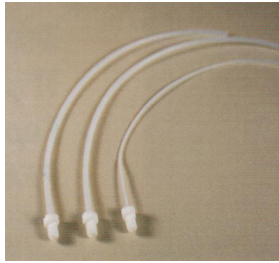
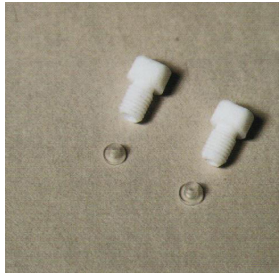


TEFLON MINI FITTINGS



NACOM'S MINI FITTINGS are ideally suited for High Purity Fluids, Analytical Chemistry and Chromatography Environments. The "Mini" Fitting set up consist of one Kynar ferrule and one Teflon nut.

How They Work

Cut tubing to desired length with square ends. Slide Teflon nut onto tubing with thread toward tube end. Insert Kynar ferrule onto tube end using smallest ferrule diameter. Tubing is now expanded. Insertion tool recommended for high volume use. Slide teflon nut up to tube end and onto expanded portion. Assembly is ready for finger tight mounting to component or system.

Why a Kynar * Ferrule ?

Kynar is a high performance fluorocarbon having high molecular weight or vinylidene fluoride. It is tough, mechanically strong, servicable from -80 degrees F to +300 degrees F and has excellent resistance to acids and gases. The Kynar ferrule then provides a sealing surface against the softer teflon nut, tubing and receptacle, giving a leak proof seal resistant to pull out or blow out.

HOW TO ORDER

SPECIFICATIONS	Part Number	Tube OD	Tube ID	Tube Wall	RECOMMENDED TUBING	Thread Size
<p>TEFLON NUT</p>	TN062016	.063	.031	.016	FEP 062-016	1/4-28
	TN125016	.125	.093	.016	FEP 125-016	1/4-28
	TN125030	.125	.065	.030	FEP 125-030	1/4-28
<p>KYNAR FERRULE</p>	KF062016	.063	.031	.016	FEP 062-016	N/A
	KF125016	.125	.093	.016	FEP 125-016	N/A
	KF125030	.125	.065	.030	FEP 125-030	N/A
<p>INSERTION TOOL</p>	IMTF-A		.031			
	IMTF-B		.093			
	IMTF-C		.065			