

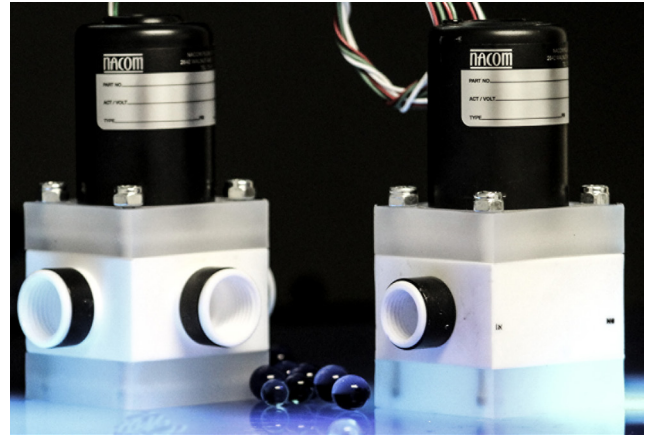
TEFLON SOLENOID VALVES

Specifications 2 way & 3 way Configurations

A series

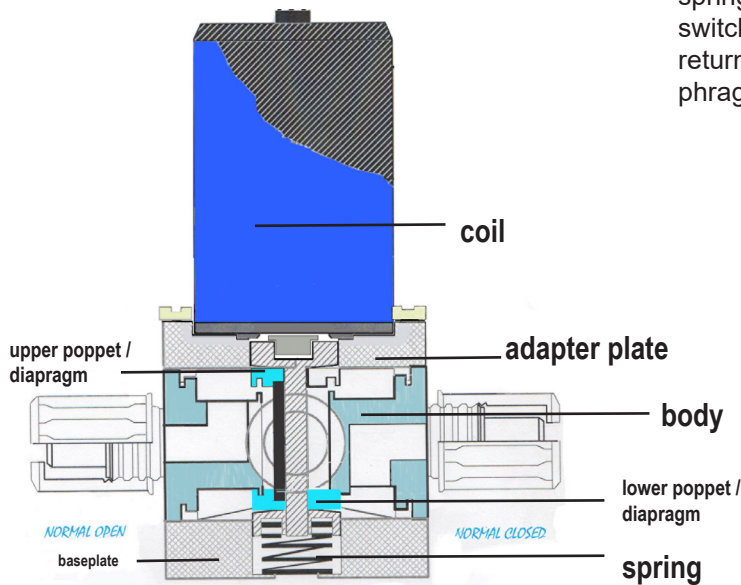
alpha series PTFE solenoid valves

| Specification | 2 way normal closed | 2 way normal open | 3 way |
|---------------------------------|---|-------------------------|-------------------------|
| Vacuum | 29.5 Hg | 29.5 Hg | 29.5 Hg |
| Operating pressure | 60 psi | 60 psi | 60 psi |
| Temperature | | | |
| ambient | -53 deg C to +80 deg C | -53 deg C to +80 deg C | -53 deg C to +80 deg C |
| line media | -53 deg C to +120 deg C | -53 deg C to +120 deg C | -53 deg C to +120 deg C |
| Cv factor | | | |
| 3/8 | .19 | .19 | .19 |
| 1/2 | 3.12 | 3.12 | 3.12 |
| wattage | 12 WATT | 12 WATT | 12 WATT |
| Voltage tolerance | +/- 10% | +/- 10% | +/- 10% |
| Voltages | 24 VAC / 115 VAC / 220 VAC // 12 VDC / 24 VDC / 105 VDC | | |
| Flow characteristics | | | |
| Water GPM @ 20ft sec | 3/8 = 4.2 GPM 1/2 = 6.5 GPM | | |
| Free flow@rated pressure | 3/8 = 29.5 ScFm 1/2 = 39.2 ScFm | | |



Operating Pressure : 60 psi
Backpressure : 30 psi

All A series PTFE Solenoid valves operate with a 12 watt "Push type" coil. When coil is energized, a internal plunger pushes down poppet-diaphragm assembly ,compressing spring(located beneath the lower diaphragm chamber) and switching flow direction. When de-energized , the spring returns to fully extended length , pushing up on poppet - diaphragm assembly and goes back to original flow position.



Seating configurations

S series valves are only available with oring seat type. Viton or KALREZ are options
M series valves are available in **Oring seat** and in **Teflon seat** types to choose from .
A series valves are only available with **Teflon seat** types

Conduit connection : In addition to the standard 2 lead and 3 lead power connections , NACOM offers all 3 series with conduit connection in place of wire power supply. This is a additional cost and extends delivery date . *consult factory* .

Extended leads : In addition to the standard 12" leads ,NACOM offers extended leads of 18" , 24 " and 36" . This applies to all 3 series valves and has a additional cost and extended delivery date. *consult factory*

Body shapes:

S series valves **Round body** 1/4-28 thread & 1/8" FNPT. **Square body** 1/8" FNPT, & 1/8 TUBE
M series valves **Round body** 1/8" FNPT, 1/4" FNPT. **Square body** 1/8",1/4" & 3/8" FNPT. 1/8",1/4", & 3/8" TUBE. 1/4", 3/8" FLARE
A series valves Are only available **Square body** with 3/8"-1/2" FNPT. 3/8"-1/2" TUBE, & 3/8"-1/2" FLARE

