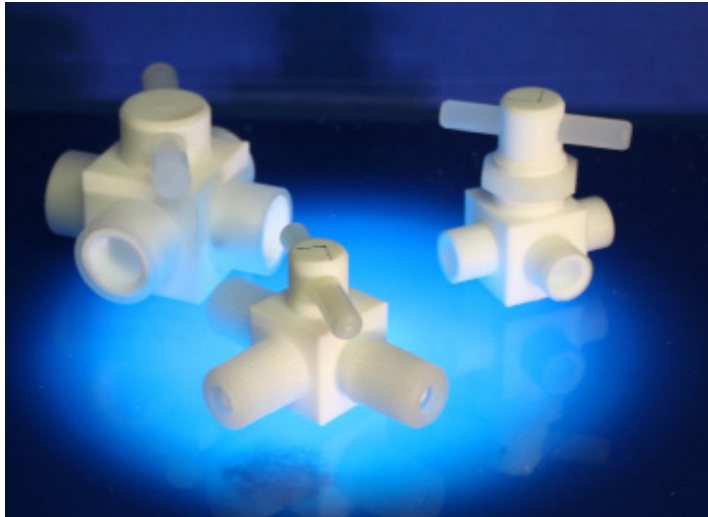


# TEFLON STOPCOCK

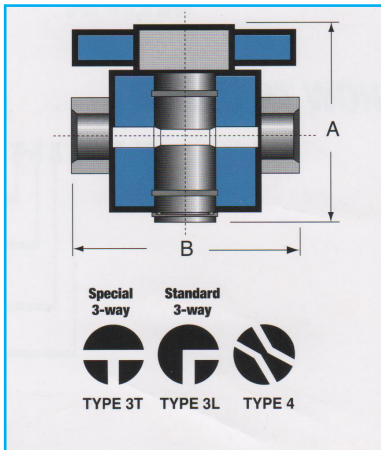


**NACOM'S PTFE STOPCOCK** is a precision machined valve that in many ways relates to the function of a Ball Valve. When the handle points in the direction of flow, the valve is fully open. When the handle points perpendicular to the direction of the flow. At a 45 degree position, the valve is half open thereby has a metering effect.

Available in panel mount or non panel mount positions with sizes ranging from 1/8 up to 1/2" with end connection types including FNPT, TUBE, and FLARED. 2WAY, 3WAY, and 4WAY configurations

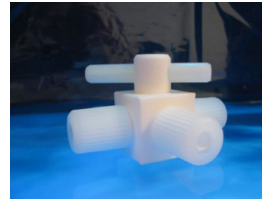
## Specifications

Media Pressure	Vacuum to 60 PSI
Media Temperature	100 degrees C
Ambient Temperature	50 degrees C
Sealing	Bubble Tight
Shut Off	POSITIVE
All Wetted Surfaces	Virgin PTFE



ALL 3 WAY STYLE VALVES ARE "L" FLOW UNLESS SPECIFIED. FOR "T" FLOW ADD "T" TO END OF PART NUMBER

Example : NA-SC-504T indicates T flow



• **Non Panel Mount**



• **Panel Mount**

• **2way , 3way , and 4way styles**

## How to Order

FOR PANEL MOUNT STYLE add "P" TO END OF PART NUMBER  
EXAMPLE : NA-SC-409P

PART NUMBER	ORIFICE	BODY STYLE	END CONNECTION
NA-SC-200 NA-SC-201 NA-SC-202	1/16 { .062 }	2 WAY 3 WAY 4 WAY	1/16 TUBE
NA-SC-400 NA-SC-401 NA-SC-402 NA-SC-403 NA-SC-404 NA-SC-405	1/8 { .125 }	2 WAY 3 WAY 4 WAY 2 WAY 3 WAY 4 WAY	1/8 FNPT 1/8 FNPT 1/8 FNPT 1/8 TUBE 1/8 TUBE 1/8 TUBE
NA-SC-409 NA-SC-410 NA-SC-411 NA-SC-412 NA-SC-413 NA-SC-414		2 WAY 3 WAY 4 WAY 2 WAY 3 WAY 4 WAY	1/4 FNPT 1/4 FNPT 1/4 FNPT 1/4 TUBE 1/4 TUBE 1/4 TUBE
NA-SC-500 NA-SC-501 NA-SC-502 NA-SC-503 NA-SC-504 NA-SC-505 NA-SC-506 NA-SC-507 NA-SC-508	1/4 { .25 }	2 WAY 3 WAY 4 WAY 2 WAY 3 WAY 4 WAY	1/4 FNPT 1/4 FNPT 1/4 FNPT 1/4 TUBE 1/4 TUBE 1/4 TUBE 1/4 FLARED 1/4 FLARED
NA-SC-600 NA-SC-601 NA-SC-602 NA-SC-609 NA-SC-610 NA-SC-611 NA-SC-612 NA-SC-613 NA-SC-614	3/8 { .375 }	2 WAY 3 WAY 4 WAY 2 WAY 3 WAY 4 WAY 2 WAY 3 WAY 4 WAY	3/8 FNPT 3/8 FNPT 3/8 FNPT 3/8 TUBE 3/8 TUBE 3/8 TUBE 3/8 FLARED 3/8 FLARED 3/8 FLARED
NA-SC-700 NA-SC-701 NA-SC-702 NA-SC-709 NA-SC-710 NA-SC-711 NA-SC-712 NA-SC-713 NA-SC-714	1/2 { .50 }	2 WAY 3 WAY 4 WAY 2 WAY 3 WAY 4 WAY 2 WAY 3 WAY 4 WAY	1/2 FNPT 1/2 FNPT 1/2 FNPT 1/2 TUBE 1/2 TUBE 1/2 TUBE 1/2 FLARED 1/2 FLARED 1/2 FLARED

## Dimensions

NOTE: DIMENSIONS ARE FOR FNPT TYPE ONLY

SERIES	DIMENSION A	DIMENSION B
200	1.38	1.50
400	1.62	1.88
500	1.88	2.25
600	2.00	2.38
700	3.75	3.75