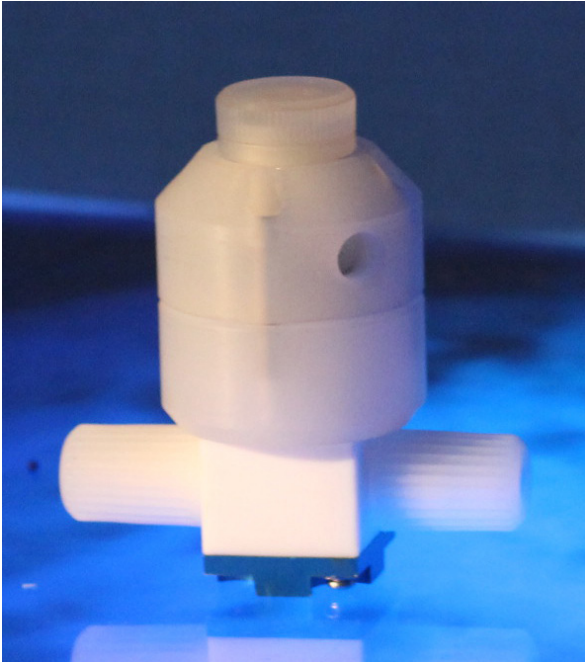


TEFLON SUCKBACK VALVE



- **ADJUSTABLE SUCKBACK CAPACITY**
- **EASY IN-LINE INSTALLATION**
- **ELIMINATES DRIPPING OF LIQUIDS FROM DISPENSE NOZZLES**
- **ALL PTFE WETTED PARTS**
- **COMPLETE SHUT OFF**

NACOM'S PTFE SUCKBACK VALVE is the perfect solution for dispensing equipment to prevent dripping of solutions from dispense nozzles, photoresist, adhesives, acids, solvents, syrups and many other medias that may be passed through this valve.

This combination valve performs two simultaneous functions. Being a normal closed valve, it requires air to actuate. When switching from the normal open back to the closed position, its inique design creates a vacuum on the discharge port and immediately sucksback a predetermined amount of liquid. The adjustment knob on top of the valve gives excellent repeatability on the suckback volume.

The **SBV series PTFE SUCKBACK VALVE** is available with orifice sizes of 1/8 and 1/4 inch diameter. Port connection sizes range from 1/8 dia up to 3/8 inch diameter. Available with FNPT, COMPRESSION TUBE, and Fractional Flared end connections.

How to Order

SBV - X - X - X

PORT SIZE

2 = 1/8 INCH
3 = 3/16 INCH
4 = 1/4 INCH
6 = 3/8 INCH

ORIFICE SIZE

2 = 1/8 INCH
3 = 3/16 INCH
4 = 1/4 INCH

END CONNECTION

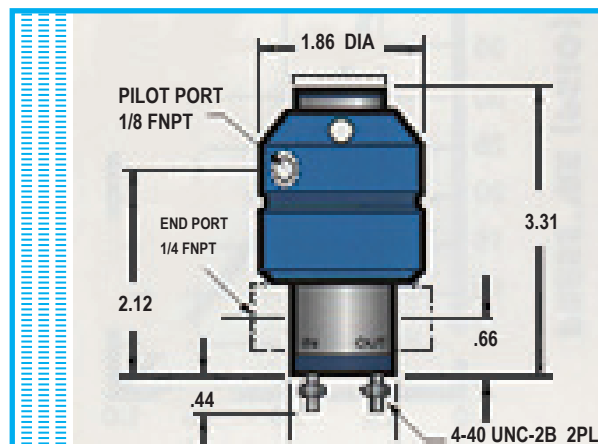
F = FNPT
T = FRACTIONAL TUBE OD
M = METRIC TUBE OD
MPT = MALE NPT
FF = FRACTIONAL FLARED

MODEL DESIGNATOR

SBV = SUCKBACK VALVE

Specifications

MEDIA PRESSURE	3 to 30 PSI
ACTUATOR PRESSURE	40 PSI TO 60 PSI
MEDIA TEMPERATURE	15 Degrees C to 70 Degrees C
Cv RATING	1/4 INCH ORIFICE .070
SUCKBACK CAPACITY	6 TO 100"



NACOM FLOW CONTROLS INCORPORATED 1702 Newport circle Unit D Santa Ana , CA 92705
Tel: 714 957-5780 Fax : 714 957-5876

TEFLON is a Registered Trademark of E.I DUPONT DE NEMOURS CO.