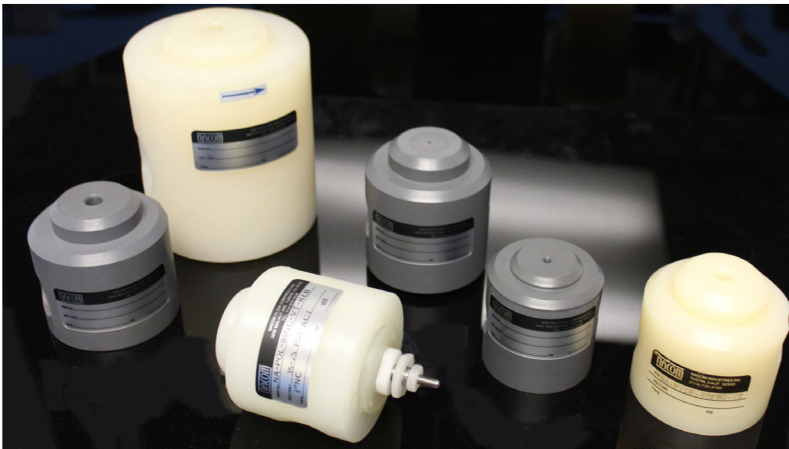


# H2O VALVE



**Pvc  
Polypropylene  
PVDF**

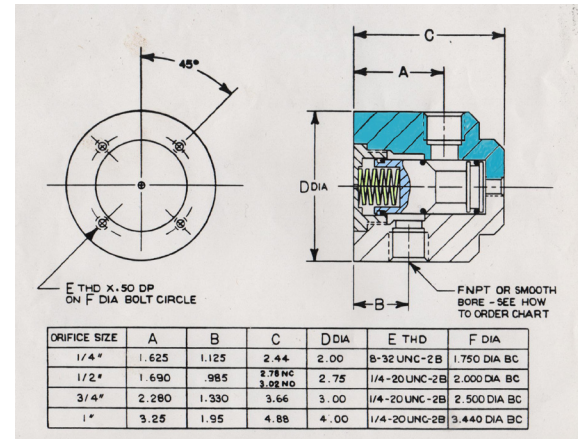
**Pneumatic and  
Foot Operated style**



**NACOM'S H2O VALVES**- Available in Pneumatic or Foot operated styles. All H2O valves are manufactured from corrosion resistant materials such as PVC, POLYPROPYLENE and PVDF. Further each models design is of spring return where the spring is isolated from the flowstream to prevent media contamination from metallic contact. Sizes range from 1/4" fnpt and go up to 1.0" fnpt. Configurations include 2way open or 2way closed in the pneumatic actuated style and 2way closed for the foot style actuated.

## Specifications

Specification	1/4"	1/2"	3/4"	1.0"
<b>Media Pressure</b>	80 PSI	80 PSI	60 PSI	60 PSI
<b>Media Temperature</b>				
PVC	140 deg F / 60 deg C			
POLYPROPYLENE	160 deg F / 70 deg C			
PVDF	212 deg F / 100 deg C			
<b>Operating Pressure</b>	35-75 PSI	35-75 PSI	35-75 PSI	35-75 PSI



**FOOT VALVE CONFIGURATION** may be ordered by adding "FV" to suffix of part number. Example: **NA-PV88NC-EP-FV**

**LOW PROFILE BODY** Nacom's 1/2" model valve is available with a low profile body. This is perfect when your working with limited space. Simply add "L" to the part number Example: **NA-L-POL88NC-EP**

**3 WAY VERSION** In addition to the standard size 2 way H2O Valve, we are pleased to offer the 1/2" model in a 3 way configuration. This is considered special and can be ported to the configuration you want. Consult factory

Part Number	Orifice size	Port Size	Configuration	Material	Oring Material
<b>NA-PVC-44NC-EP</b>	1/4"	1/4" FNPT	2 WAY NC	PVC	Ethylene Propylene
<b>NA-POL-44NC-EP</b>	1/4"	1/4" FNPT	2WAY NC	POLYPROPYLENE	
<b>NA-PVDF-44NC-EP</b>	1/4"	1/4" FNPT	2WAY NC	PVDF	
<b>NA-PV88NC-EP</b>	1/2"	1/2" FNPT	2WAY NC	PVC	Ethylene Propylene
<b>NA-POL88NC-EP</b>	1/2"	1/2" FNPT	2WAY NC	POLYPROPYLENE	
<b>NA-PVDF88NC-EP</b>	1/2"	1/2" FNPT	2WAY NC	PVDF	
<b>NA-PV1212NC-EP</b>	3/4"	3/4" FNPT	2 WAY NC	PVC	Ethylene Propylene
<b>NA-POL1212NC-EP</b>	3/4"	3/4" FNPT	2WAY NC	POLYPROPYLENE	
<b>NA-PVDF1212NC-EP</b>	3/4"	3/4" FNPT	2WAY NC	PVDF	

