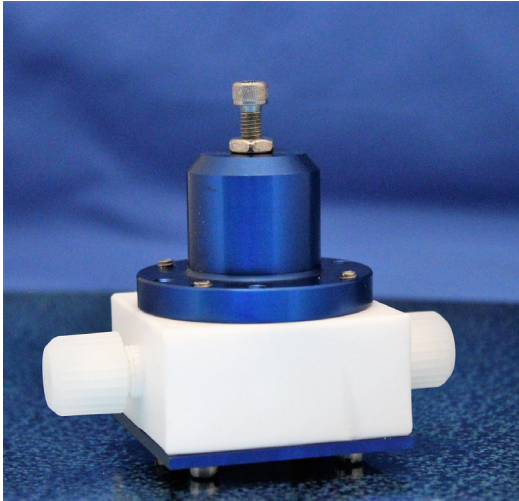


TEFLON PRESSURE RELIEF VALVE



NACOM'S R.V Series PTFE Pressure Relief Valve is ideal for corrosive fluids. With the EZ adjust screw with locking nut, the pressure can be adjusted then set from 10 to 90 PSI.

Sizes range from 1/4" and go up to 1/2" diameter.

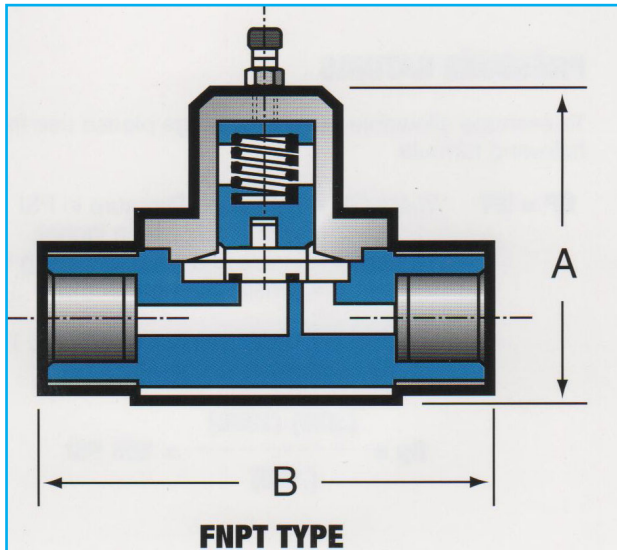
Available with a choice of End connections that include FNPT, Compression Tube, and Fractional Flared.

- **Ideal for Corrosive Fluids**
- **Fully Adjustable from 10 to 90 psi**
- **Available with a choice of End Connections**

PRODUCT SPECIFICATIONS

Media Pressure : to 90 PSI

Media Temperature : to 150 degrees C
Ambient Temperature : to 100 degrees C



PART NUMBER	A DIM	B DIM
RV4-4P-VT	2.38	3.18
RV4-4T-VT	2.38	3.06
RV4-6P-VT	2.38	3.18
RV4-6T-VT	2.38	3.06

How to Order

RVX- X X- XX

ORING MATERIAL

KA - Kalrez
VT- Viton
EP- Ethylene Propylene

CONFIGURATION

P - FNPT
T - Tube
M- MNPT
FF- Fractional Flared
S - Sanitary

END CONNECTION

4 - 1/4
6 - 3/8
8 - 1/2

ORIFICE SIZE

4 - 1/4
6 - 3/8
8 - 1/2



NACOM FLOW CONTROLS INCORPORATED 1702 Newport circle Unit D Santa ana Calif 92705
Tel: 714 957-5780 Fax : 714 957-5876

TEFLON is a Registered Trademark of E.I Dupont de Nemours Co.