



240VAC

24VDC



BOB50ME BOB5024E



100%
Made in Italy

LINEAR WORM SCREWS

patented FACE gears
full metal mechanics
gear and female screw in bronze
personalised release key

up to 5.0 m each leaf



CONTROL UNITS:

BOB50ME — BRAINY

BOB5024E — BRAINY24+



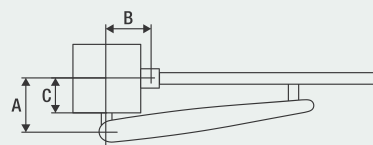
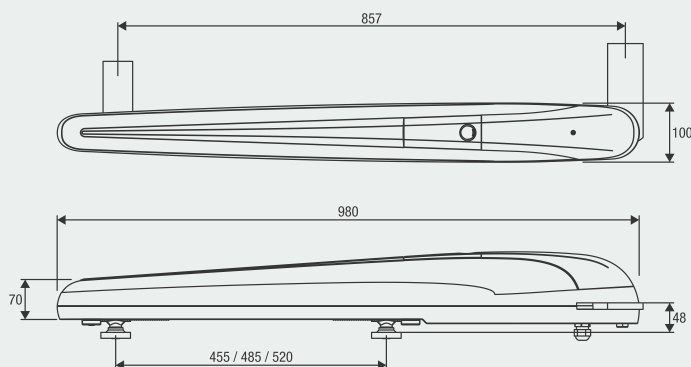
Reliable, quiet, and quick to install geared motor, thanks to its 2 adjustable mechanical stops for opening and closing. Available in the 240 Vac and 24 Vdc versions. Rolled ball screws Ø 20 mm. Easy access release from above.

240 Vac

- Irreversible 240 Vac electromechanical geared motor
- The encoder device ensures crush prevention and precision in the gate moving phases

24 Vdc | intensive use

- Irreversible 24 Vdc electromechanical geared motor for intensive use, equipped with encoder
- The encoder device ensures maximum safety and precision in the gate moving phases
- Amperometric sensor obstacle detection system to prevent crushing
- Optional battery powered operation



A (mm)	B (mm)	C (mm)
150-225	150-225	90-155

COMPLETE KITS

KBOB50ME	2x BOB50ME	1x BRAINY	2x TO.GO4A
KBOB5024E	2x BOB5024E	1x BRAINY24+ *	2x TO.GO4A



MOTORS



CONTROL UNIT



TRANSMITTER

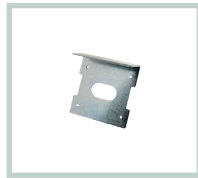
* Equipped with electronic transformer and battery charger



DU.V96
12 Vac/dc vertical electric lock, supplied with counterplate. Permits internal/external release.



DU.V90
12 Vac/dc horizontal electric lock, supplied with counterplate. Permits internal/external release.



DU.9990
Covering plate for DU.V90.



E.LOCK
240 Vac vertical electric lock, supplied with counterplate.



E.LOCKSE
Extended cylinder for E.LOCK electric lock. It allows unlocking gates up to 55mm-thick from the outside.



CABLE.24E
Cable reel with 5 conductors (2 for motor, 3 for encoder) for connecting the encoder device in the 24 Vdc versions. L= 100 m.



IRI.TX4VA
4-channel transmitter with Advanced Rolling Code and Rolling Code.



IRI.TX4AK
4-channel transmitter with Advanced Rolling Code and Fixed Code.



IRI.LAMP
White full range flashing light, 20-255 Vac with built-in aerial.



IRI.KPAD
Battery operated wireless vandal-proof digital keypad with alert buzzer and backlit buttons. Triple coding: Rolling Code, Programmable Code and Advanced Rolling Code. 254 memorisable codes.



BE.CODE
Wireless battery operated keypad, with triple coding. Numerical membrane keypad to guarantee maximum activation sensitivity. It can memorise up to 254 PINs.



IRI.CELL
Pair of vandal-proof metal covers for PUPILLA/PUPILLA.R photocells, comprising front and rear shells with concealed screw. They can maintain perfect orientation over 180°.



PUPILLA
Pair of photocells adjustable to 180°. Option to synchronise up to 4 pairs, 24 Vac/dc power supply. Easy adjustment through a LED that signals optimal alignment. Compact size: 36x110x35 mm

TECHNICAL DATA	BOB50ME	BOB5024E
Power supply	240 Vac (50-60Hz)	240 Vac (50-60Hz)
Motor supply	240 Vac	24 Vdc
Max absorbed current	1.4 A	6.7 A
Max Thrust	3500 N	2200 N
Opening time	26"	21"
Duty cycle	30%	intensive use
Standard stroke	455 mm	455 mm
Max stroke	520 mm	520 mm
Protection level	IP44	IP44
Operating temperature	-20°C /+50°C	-20°C /+50°C
Leaf max dimension	5 m	5 m
Weight	11.6 kg	10.2 kg



Beninca Australia Pty Ltd
11/51 Owen St, Glendenning NSW 2761 AUSTRALIA
P + 61 2 9677 2827
info@BenincaAustralia.com.au

[licensed installer]