



240<sub>VAC</sub>

24<sub>VDC</sub>

# PREMIER PREMIER24



100%  
Made in Italy

## ARTICULATED ARM

personalised release key

up to 4.0 m each leaf



## CONTROL UNITS:

PR.45E — BRAINY

PR.45E24 — BRAINY24-SW



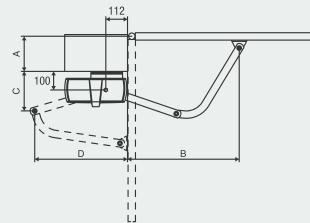
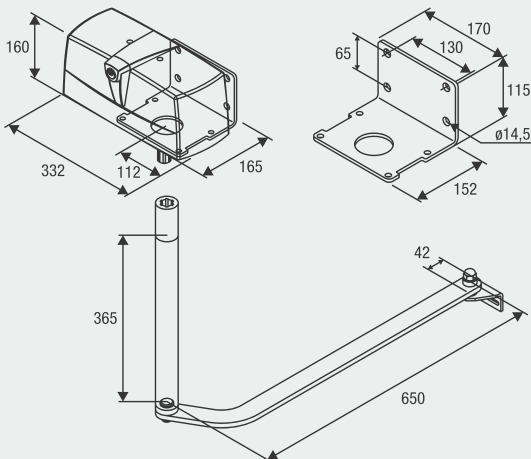
Irreversible geared motor suitable for gates installed on large columns, available in 240 Vac and 24 Vdc versions. Built-in electromechanical open and close limit switches, with sturdy articulated anti-shearing arm in galvanised steel.

## 240 Vac

- Irreversible 240 Vac electromechanical geared motor

## 24 Vdc | intensive use

- Irreversible 24 Vdc geared motor for intensive use
- Amperometric sensor obstacle detection system to prevent crushing
- Optional battery powered operation



A (mm)	B (mm)	C (mm)	D (mm)
50	883	277	429
150	851	181	466
200	828	117	475
250	800	32	469
300	846	28	468

### COMPLETE KITS



MOTORS



CONTROL UNIT



ARMS



TRANSMITTER

<b>KPR</b>	2x <b>PR.45E</b>	1x <b>BRAINY</b>	2x <b>DU.E2</b>	2x <b>TO.GO4A</b>
<b>KPR.24</b>	2x <b>PR.45E24</b>	1x <b>BRAINY24-SW*</b>	2x <b>DU.E2</b>	2x <b>TO.GO4A</b>

\* Equipped with electronic transformer and battery charger



**MB.SE**

Externally fitted anti-intrusion cable unlock device which allows the gate to be unlocked from outside.



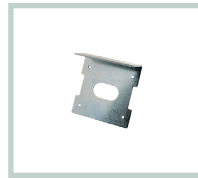
**DU.V96**

12 Vac/dc vertical electric lock, supplied with counterplate. Permits internal/external release.



**DU.V90**

12 Vac/dc horizontal electric lock, supplied with counterplate. Permits internal/external release.



**DU.9990**

Covering plate for DU.V90.



**IRI.TX4VA**

4-channel transmitter with Advanced Rolling Code and Rolling Code.



**IRI.TX4AK**

4-channel transmitter with Advanced Rolling Code and Fixed Code.



**IRI.LAMP**

White full range flashing light, 20-255 Vac with built-in aerial.



**IRI.KPAD**

Battery operated wireless vandal-proof digital keypad with alert buzzer and backlit buttons. Triple coding: Rolling Code, Programmable Code and Advanced Rolling Code. 254 memorisable codes.



**BE.CODE**

Wireless battery operated keypad, with triple coding. Numerical membrane keypad to guarantee maximum activation sensitivity. It can memorise up to 254 PINs.



**IRI.CELL**

Pair of vandal-proof metal covers for PUPILLA/PUPILLA.R photocells, comprising front and rear shells with concealed screw. They can maintain perfect orientation over 180°.



**PUPILLA**

Pair of photocells adjustable to 180°. Option to synchronise up to 4 pairs, 24 Vac/dc power supply. Easy adjustment through a LED that signals optimal alignment. Compact size: 36x110x35 mm

TECHNICAL DATA	PR.45E	PR.45E24
Power supply	240 Vac (50-60Hz)	240 Vac (50-60Hz)
Motor supply	240 Vac	24 Vdc
Max absorbed current	1.75 A	9 A
Torque	325 Nm	320 Nm
Opening time	13"	9"
Duty cycle	30%	intensive use
Protection level	IP44	IP44
Operating temperature	-20°C /+50°C	-20°C /+50°C
Leaf max dimension	3 m	3 m
Weight	10.5 kg	9 kg



**Beninca Australia Pty Ltd**  
 11/51 Owen St, Glendenning NSW 2761 AUSTRALIA  
 P + 61 2 9677 2827  
 info@BenincaAustralia.com.au

[licensed installer]