



230 VAC

YAK25 OTI



VIRTUAL ENCODER

INDUSTRIAL USE

control unit with built-in inverter and virtual encoder
oil lubricated reductions
personalised release key



STC SYSTEM

up to 2500 kg

BENINCA



512

100%
Made in Italy



CONTROL UNITS:

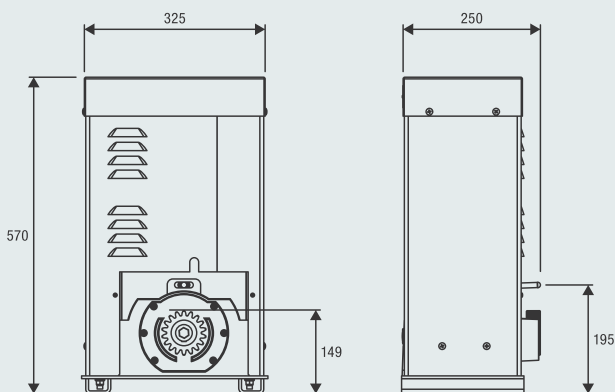
YAK25 OTI ——— CP.YAK OTI



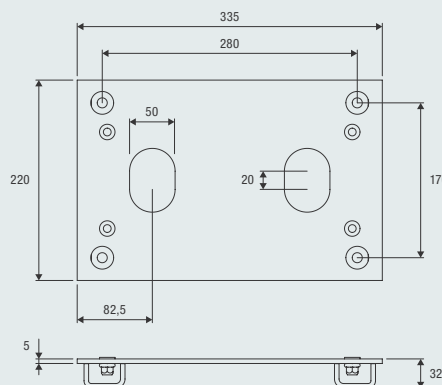
230 Vac

- Three-phase 230 VAC geared motor for intensive use with incorporated control unit, self-ventilation system and metal oil lubricated reductions to guarantee maximum performance also at low temperatures
- The main control unit, located in the top part of the motor and with integrated inverter, makes it possible to calculate the position of the motor starting from the measurement of current intensity on the electric motor (virtual encoder)
- The virtual encoder allows proper management of the slowing-down phases, movement tracking (STC system), and torque management in relation to the position of the gate, which guarantees maximum safety
- Adjustable speed from 10 to 24 m/min according to gate weight
- Safety sensor that stops the motor power supply during release operations
- External metal casing with the possibility to install PUPILLA/PUPILLA.R photocells (as accessory)
- Receiver ONE2.WB is supplied
- Metal release lever

Raised foundation plate included. Height 32 mm. Floor fixing distance 280x170 mm, no. 4 Ø 11 mm, motor fixing distance 269x106 mm n.4 M10.

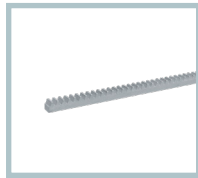


Weight (kg)	Speed (m/min)
2,500	10
2,000	11
1,500	14
1,000	16
500	24

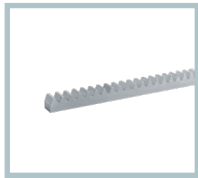


**RI.M4Z**

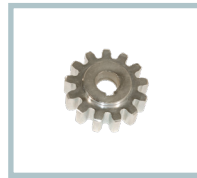
M4 galvanised rack to weld 22x22x2000 mm.
Package of 2 pcs.

**RI.M4ZF**

Galvanised slotted M4 rack 22x22x2010 mm for fastening to the side with the teeth.
 Supplied with M6 screws.
Package of 1 pc.

**RI.M6Z**

M6 galvanised rack to weld 30x30x2000 mm.
 Requires pinion RI.P6.

**RI.P6**

M6 gear, it needs the rack RI.M6Z.

**RF.SUN**

Battery-operated device recharged by means of a photovoltaic panel applied on a mobile edge.

**RF**

Device with a non rechargeable battery, with guaranteed duration 2 years.

**SC.RF**

Device powered at 12/24 Vdc with self-test function and 2 outputs for connection to the electronic control units.

**ID.TA**

Warning board.

**IRI.TX4VA**

4-channel transmitter with Advanced Rolling Code and Rolling Code.

**IRI.TX4AK**

4-channel transmitter with Advanced Rolling Code and Fixed Code.

**IRI.LAMP**

White full range flashing light, 20-255 VAC with built-in aerial.

**IRI.KPAD**

Battery operated wireless vandal-proof digital keypad with alert buzzer and backlit buttons. Triple coding: Rolling Code, Programmable Code and Advanced Rolling Code. 254 memorisable codes.

**IRI.CELL**

Pair of vandal-proof metal covers for PUPILLA/PUPILLA.R photocells, comprising front and rear shells with concealed screw. They can maintain perfect orientation over 180°.

**PUPILLA**

Pair of photocells adjustable to 180°. Option to synchronise up to 4 pairs, 24 VAC/DC power supply. Easy adjustment through a LED that signals optimal alignment. Compact size: 36x110x35 mm

**PUPILLA.R**

Pair of fixed photocells characterised by an N.C. relay (voltage free contact). Possibility to install 2 pairs close to each other without synchronisation. Compact size: 36x110x35 mm.

**DA.2S**

Electronic board that allows synchronised movement of 2 automation devices (opposed sliding gates).

AUTOMATISMI BENINCÀ SpA • Via del Capitello, 45 • 36066 Sandrigo (VI) ITALY • T +39 0444 751030 • sales@beninca.com

TECHNICAL DATA	YAK25 OTI
Power supply	230 Vac (50-60Hz)
Motor supply	≈ 230 Vac
Max absorbed current	4.0 A
Max Thrust	2500 N
Max opening speed	24 m/min
Duty cycle	intensive use
Protection level	IP44
Operating temperature	-20°C /+50°C
Lubrication	OIL
Max gate weight	2500 kg
Driving gear for rack	M4 Z18
Weight	36.3 kg
Items no. per pallet	8