

- NOTES:
- 1) ALL DIMENSIONS ARE REFERENCE DIMENSIONS IN INCHES
 - 2) HYDRAULIC OIL AS PER DIN 51524.
 - 3) RECOMMENDED VISCOSITY RANGE (30-80 cSt).
 - 4) RECOMMENDED CLEANLINESS CLASS PER ISO 4406 (18/16/13).
 - 5) MAX OPERATING PRESSURE IS 3,000 PSI.
 - 6) BILL OF MATERIAL IS ON SHEET 2 AND SHEET 3.
 - 7) HYDRAULIC SCHEMATIC ON SHEET 4.
 - 8) ELECTRICAL WIRING ON SHEET 5.

COMPANY		ASCENSION HYDRAULICS, LLC		
DRAWING NO		AH-HCVS-10004-ASCENSION		
TITLE		VALVE STAND		
PART NUMBER		AH-HCVS-1004		
DRAWN BY		MPW	CUSTOMER	ORDER # 10084
SCALE	DATE	FORMAT	SHEET	REV
0.125	Mar-12-22	B	1 of 5	RELEASE

1 2 3 4 5 6 7 8

D

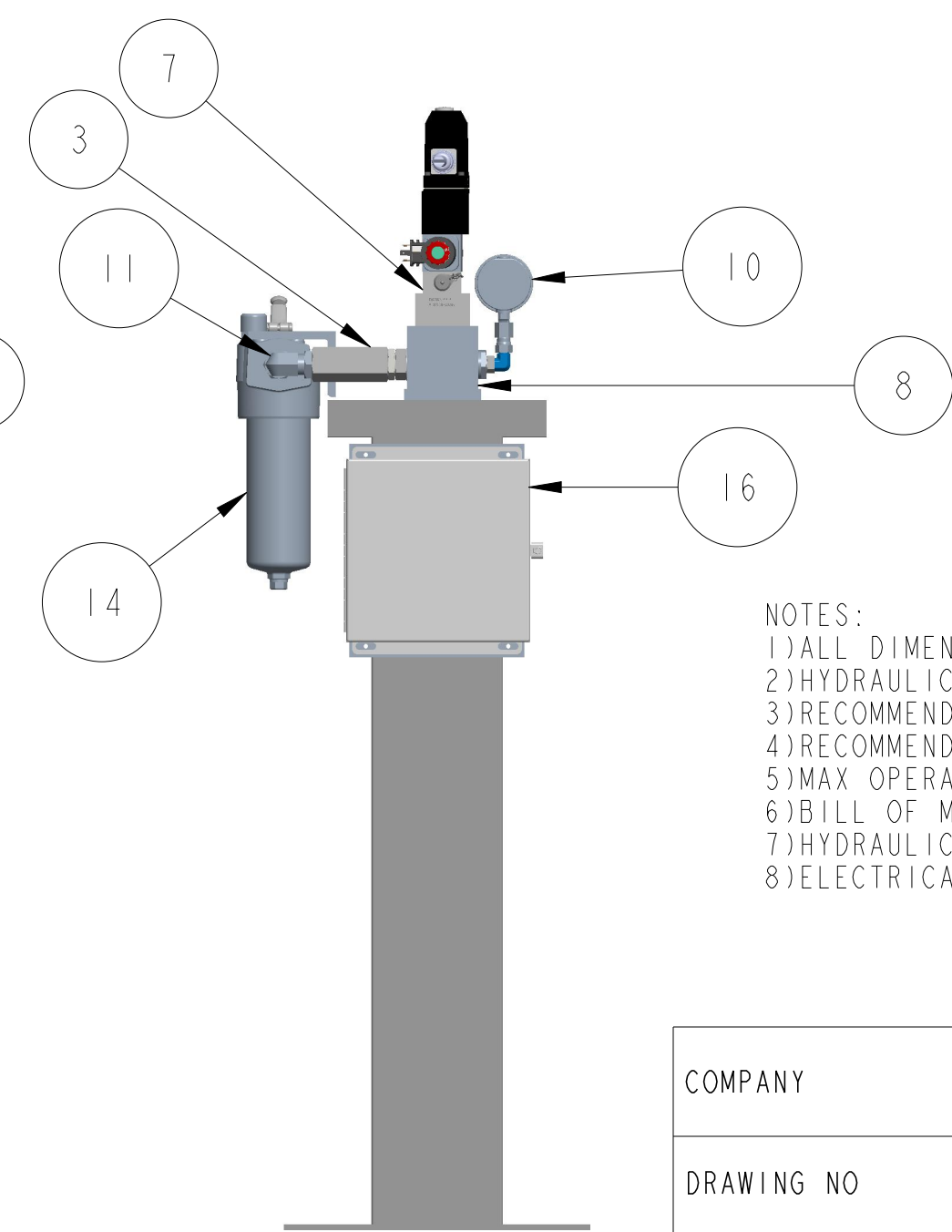
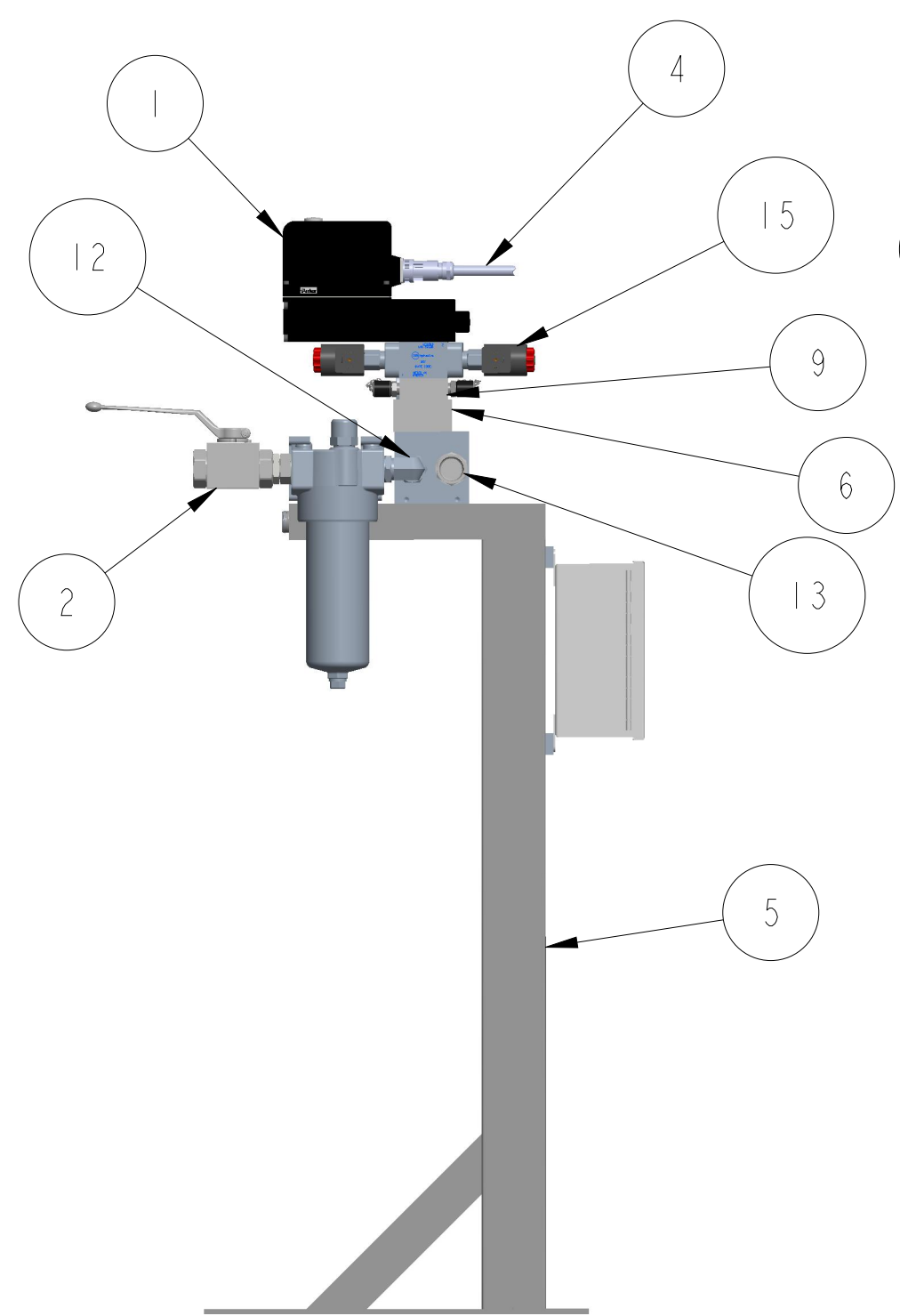
D

C

C

B

A



NOTES:
 1) ALL DIMENSIONS ARE REFERENCE DIMENSIONS IN INCHES
 2) HYDRAULIC OIL AS PER DIN 51524.
 3) RECOMMENDED VISCOSITY RANGE (30-80 cSt).
 4) RECOMMENDED CLEANLINESS CLASS PER ISO 4406 (18/16/13).
 5) MAX OPERATING PRESSURE IS 3,000 PSI.
 6) BILL OF MATERIAL IS ON SHEET 2 AND SHEET 3.
 7) HYDRAULIC SCHEMATIC ON SHEET 4.
 8) ELECTRICAL WIRING ON SHEET 5.

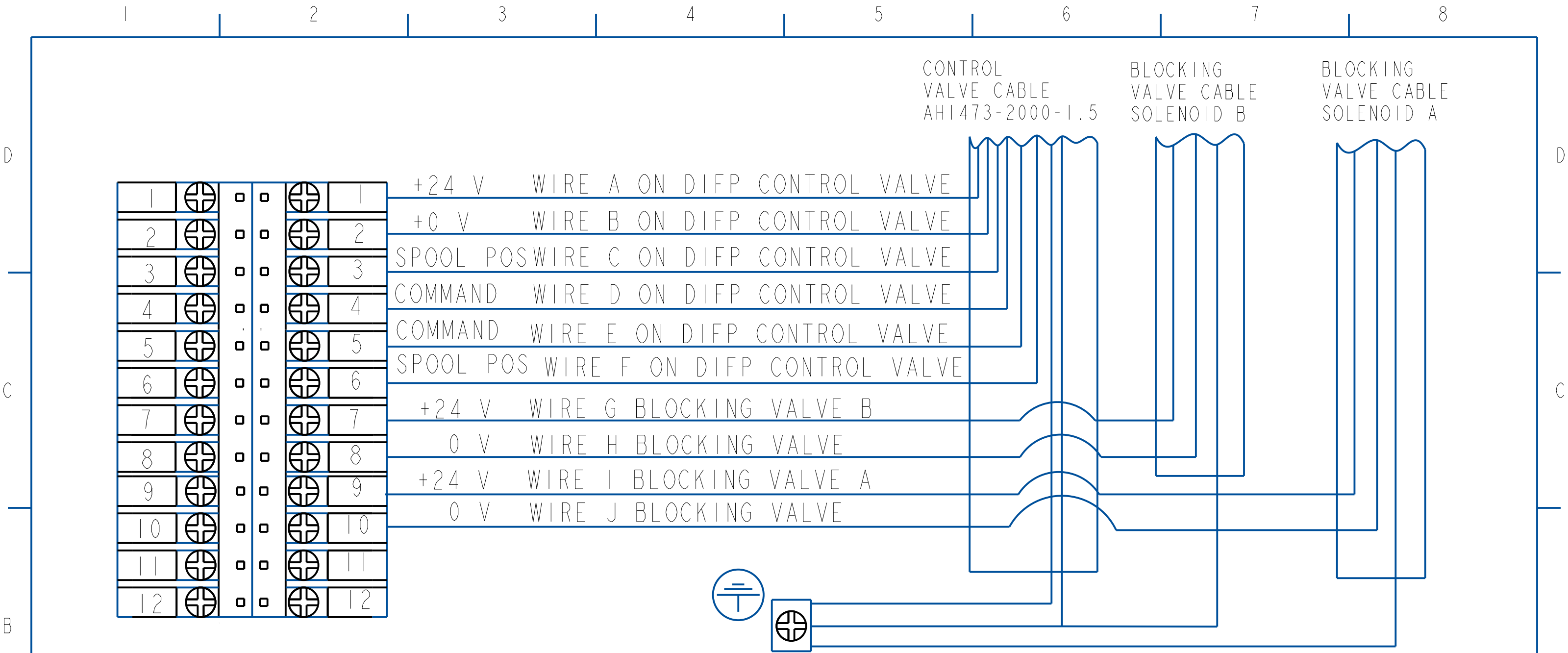
COMPANY		ASCENSION HYDRAULICS, LLC		
DRAWING NO		AH-HCVS-10004-ASCENSION		
TITLE VALVE STAND		PART NUMBER AH-HCVS-1004		
DRAWN BY MPW		CUSTOMER	ORDER # 10084	
SCALE	DATE	FORMAT	SHEET	REV
0.125	May-30-22	B	2 of 5	RELEASE

ITEM	QTY	SUPPLIER	PART NUMBER	DESCRIPTION
1	1	PARKER	DIFPE50MA9NB00	Direct Operated Proportional Directional Control Valve - Series DIFP / D3FP-
2	1	ANCHOR	AE2S#12-11DB	BALL VALVE WITH LOCKING HANDLE-SAE-12 PORTS
3	1	ANCHOR	CS#12-1-7	CHECK VALVE-SAE-12 PORTS
4	1	ASCENSION	AH1473-2000-1.5	50" CABLE FOR CONTROL VALVE
5	1	ASCENSION	AH-PVS-1001	PEDESTAL VALVE STAND ASSY WITH DRIP PAN
6	1	DAMAN	D03D05VAAB	D05 TO D03 ADAPTOR PLATE
7	1	DAMAN	D03TPAB4S	D03 ALUMINUM TAPPING PLATE
8	1	DAMAN	D05P013S	SINGLE STATION D05 ALUMINUM MANIFOLD
9	2	HYDROTECHNIK	2103-01-21	TEST PORT FITTING-SAE-4
10	1	NOSHOK	NOSHOK 311 SERIES	0-3000 PSI GAUGE
11	1	PARKER	12-C5BU-S	ELBOW, 12 MALE SAE-ORB TO 3/4" FERULOK
12	1	PARKER	12-F5BU-S	12 MALE SAE-ORB TO 3/4" FERULOK
13	1	PARKER	12-HP50N-S	SAE ORB-12 PLUG W/INTERNAL HEX
14	1	PARKER	WPF202QHBM2KS122	NON-BYPASS PRESSURE FILTER-2 MICRON-SAE-12 PORTS-VISUAL DIRT INDICATOR
15	1	PMC	AH-BV-SS-D03-24VDC	D03 BLOCKING VALVE, (NC) ON A & B PORTS W/ (2) 24 VDC COILS
16	1	SAGINAW	SCE-808CHNF	ELECTRICAL J-BOX 8"X 8"

NOTES:

- 1)ALL DIMENSIONS ARE REFERENCE DIMENSIONS IN INCHES
- 2)HYDRAULIC OIL AS PER DIN 51524.
- 3)RECOMMENDED VISCOSITY RANGE (30-80 cSt).
- 4)RECOMMENDED CLEANLINESS CLASS PER ISO 4406 (18/16/13).
- 5)MAX OPERATING PRESSURE IS 3,000 PSI.
- 6)BILL OF MATERIAL IS ON SHEET 2 AND SHEET 3.
- 7)HYDRAULIC SCHEMATIC ON SHEET 4.
- 8)ELECTRICAL WIRING ON SHEET 5.

COMPANY	ASCENSION HYDRAULICS, LLC			
DRAWING NO	AH-HCVS-10004-ASCENSION			
TITLE VALVE STAND	PART NUMBER AH-HCVS-1004			
DRAWN BY	MPW	CUSTOMER	ORDER # 10084	
SCALE	DATE	FORMAT	SHEET	REV
0.125	Mar-12-22	B	3 of 5	RELEASE



WIRING OF ITEM #16 SAGINAW ELECTRICAL BOX.

- NOTES:
- 1) ALL DIMENSIONS ARE REFERENCE DIMENSIONS IN INCHES
 - 2) HYDRAULIC OIL AS PER DIN 51524.
 - 3) RECOMMENDED VISCOSITY RANGE (30-80 cSt).
 - 4) RECOMMENDED CLEANLINESS CLASS PER ISO 4406 (18/16/13).
 - 5) MAX OPERATING PRESSURE IS 3,000 PSI.
 - 6) BILL OF MATERIAL IS ON SHEET 2 AND SHEET 3.
 - 7) HYDRAULIC SCHEMATIC ON SHEET 4.
 - 8) ELECTRICAL WIRING ON SHEET 5.

COMPANY		ASCENSION HYDRAULICS, LLC		
DRAWING NO		AH-HCVS-10004-ASCENSION		
TITLE VALVE STAND		PART NUMBER AH-HCVS-1004		
DRAWN BY		CUSTOMER	ORDER # 10084	
SCALE	DATE	FORMAT	SHEET	REV
0.125	May-19-22	B	5 of 5	RELEASE