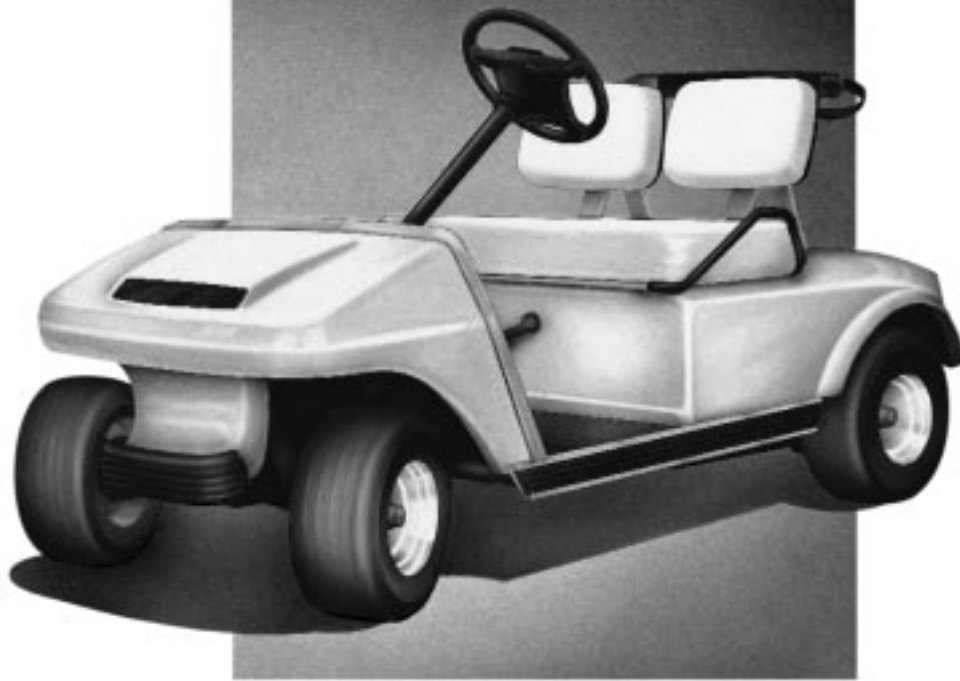


2000
ILLUSTRATED
PARTS LIST



DS GOLF CARS
GASOLINE/ELECTRIC

MANUAL NUMBER 102067401

EDITION CODE 0899A00000

USING THE ILLUSTRATED PARTS LIST

WARNING

- THIS MANUAL IS TO BE USED ONLY FOR IDENTIFICATION AND ORDERING OF SERVICE PARTS. BE SURE TO READ AND USE THE MAINTENANCE AND SERVICE MANUAL BEFORE ATTEMPTING ANY VEHICLE REPAIRS.

This manual covers all 2000 Club Car® DS Tranquility®, DS V-Glide 36-Volt, DS PowerDrive® System 48™ and DS PowerDrive Plus® vehicles.

The manual is divided into 16 sections. Sections 1 through 5 pertain to both gasoline and electric vehicles, sections 6 through 11 pertain to gasoline vehicles only, sections 12 through 15 pertain to electric vehicles only, and section 16 pertains to tools that are used on all Club Car products. Note that there are two or three flags on the outside edge of each page. The first flag contains the section number of which that page is a part. The other flag (or flags) contains either the letter G or E, signifying that the page pertains to either the gasoline or electric vehicle only, or to both the gasoline and electric vehicles.

Use the Table of Contents to find the sections and pages that contain the parts and assemblies you seek. The Table of Contents lists section numbers, and under them, the individual page titles and numbers to be found in that section. Unless a page title specifies a particular vehicle(s), the page applies to all DS vehicles.

Typically, there is a two-page spread for each individual page title in the Table of Contents (however, some titles require several spreads). On the left-hand page is an illustration showing the parts in their relative positions; the parts are each tagged with an item number in a balloon. The right-hand page is the parts list page, and gives the page title at the top, then the item numbers (corresponding to the numbers on the illustration), part descriptions, and quantity of parts used. Some item numbers have more than one part number because several models and/or configurations of a component are represented together on one spread.

Note that a part description may be indented. This indentation corresponds to a parts assembly level indicated by the numbers 1, 2, 3, and 4 at the top left corner of the parts description area of the parts list page. A part that is indented to *level 2* is a component of the *level 1* part (assembly) that it is listed under. A *level 3* part is a component of the *level 2* part that it is listed under, and a *level 4* part is a component of the *level 3* part preceding it. In each case, the part quantity given for a level 2, 3, or 4 part *is the quantity used per next higher level assembly of which it is a component*. A part that is not indented is a *level 1* part. This means that the quantity given is the quantity used per the portion of the vehicle illustrated on that particular spread.



P. O. Box 204658
Augusta, Georgia 30917-4658 USA
Telephone 706-863-3000
Service Parts Fax 706-855-7413
www.clubcar.com

© 1999, CLUB CAR, INC.
All rights reserved.

This manual effective July 26, 1999

CONTENTS

BODY AND TRIM	SECTION	1
BODY TRIM	1-3	
FRONT BODY	1-5	
REAR BODY AND FENDER—GASOLINE VEHICLE	1-7	
REAR BODY AND FENDER—ELECTRIC VEHICLE	1-9	
SEAT BOTTOM AND ARMREST	1-11	
SEAT BACK AND BAG HOOP	1-13	
WHEELS AND TIRES	SECTION	2
WHEELS AND TIRES	2-3	
DECALS	SECTION	3
DECALS—GASOLINE VEHICLE	3-3	
DECALS—ELECTRIC VEHICLE	3-5	
BRAKES, PEDAL, AND CABLE ASSEMBLIES	SECTION	4
BRAKE ASSEMBLY	4-3	
BRAKE PEDAL AND CABLE ASSEMBLY	4-5	
ACCELERATOR PEDAL ASSEMBLY	4-7	
STEERING, FRONT AND REAR SUSPENSION	SECTION	5
STEERING COLUMN	5-3	
STEERING GEAR ASSEMBLY	5-5	
FRONT SUSPENSION, UPPER	5-7	
FRONT SUSPENSION, LOWER	5-9	
REAR SUSPENSION	5-11	
ELECTRICAL SYSTEM— GASOLINE VEHICLE	SECTION	6
WIRING—GASOLINE VEHICLE	6-3	
FORWARD/REVERSE SHIFTER ASSEMBLY— GASOLINE VEHICLE	6-5	
ELECTRICAL COMPONENT BOX— GASOLINE VEHICLE	6-7	
ELECTRICAL COMPONENTS— GASOLINE VEHICLE	6-9	
STARTER/GENERATOR ASSEMBLY	6-11	
STARTER/GENERATOR MOUNTING	6-13	
BATTERY—GASOLINE VEHICLE	6-15	
FE 290 ENGINE	SECTION	7
FE 290 ENGINE— SHROUDS AND BRACKETS	7-3	
FE 290 ENGINE— IGNITION COMPONENTS AND FLYWHEEL	7-5	
FE 290 ENGINE— OIL CIRCULATION	7-7	
FE 290 ENGINE— CYLINDER HEAD	7-9	
FE 290 ENGINE— CRANKCASE, CAMSHAFT AND OIL SENSOR	7-11	
FE 290 ENGINE— CRANKCASE AND CRANKSHAFT	7-13	
ENGINE MOUNTING	7-15	

CONTENTS

FUEL, INTAKE, AND GOVERNOR SYSTEMS	SECTION	8
FUEL SYSTEM	8- 3	
CARBURETOR ASSEMBLY	8- 5	
CARBURETOR INSTALLATION	8- 7	
GOVERNOR AND ACCELERATOR CABLES	8- 9	
INTAKE DUCT, CHOKE, AND AIR BOX ASSEMBLY	8- 11	
EXHAUST SYSTEM	SECTION	9
EXHAUST SYSTEM	9- 3	
TORQUE CONVERTER	SECTION	10
DRIVE CLUTCH	10- 3	
DRIVEN CLUTCH	10- 5	
UNITIZED TRANSAXLE— GASOLINE VEHICLE	SECTION	11
UNITIZED TRANSAXLE, GASOLINE VEHICLE— GEAR CASES AND BRACKETS	11- 3	
UNITIZED TRANSAXLE, GASOLINE VEHICLE— F&R TRANSMISSION AND GEAR REDUCTION	11- 5	
UNITIZED TRANSAXLE, GASOLINE VEHICLE— DIFFERENTIAL AND AXLES	11- 7	
ELECTRICAL SYSTEM— ELECTRIC VEHICLE	SECTION	12
ELECTRICAL COMPONENTS, FRONT BODY— ELECTRIC VEHICLE	12- 3	
WIRING—V-GLIDE 36-VOLT VEHICLE	12- 5	
FORWARD/REVERSE SWITCH— V-GLIDE 36-VOLT VEHICLE	12- 7	
WIPER SWITCH—V-GLIDE 36-VOLT VEHICLE	12- 9	
RESISTOR AND BOARD ASSEMBLY— V-GLIDE 36-VOLT VEHICLE	12- 11	
BATTERIES, CHARGER RECEPTACLE, SOLENOID— V-GLIDE 36-VOLT VEHICLE	12- 13	
WIRING—POWERDRIVE SYSTEM 48 VEHICLE	12- 15	
FORWARD/REVERSE SWITCH— POWERDRIVE SYSTEM 48 VEHICLE	12- 17	
BATTERIES, CHARGER RECEPTACLE— POWERDRIVE SYSTEM 48 VEHICLE	12- 19	
COMPUTER, CONTROLLER, AND SOLENOID— POWERDRIVE SYSTEM 48 VEHICLE	12- 21	
MULTI-STEP POTENTIOMETER— POWERDRIVE SYSTEM 48 AND POWERDRIVE PLUS	12- 23	
WIRING—POWERDRIVE PLUS VEHICLE	12- 25	
FORWARD/REVERSE SWITCH, TOW/RUN SWITCH— POWERDRIVE PLUS VEHICLE	12- 27	
BATTERIES, CHARGER RECEPTACLE— POWERDRIVE PLUS VEHICLE	12- 29	
SOLENOIDS, ENERGY DISPLACEMENT MODULE— POWERDRIVE PLUS VEHICLE	12- 31	
CONTROLLER, ONBOARD COMPUTER— POWERDRIVE PLUS VEHICLE	12- 33	
BATTERY CHARGER	SECTION	13
ACCU-POWER CHARGER, DOMESTIC— V-GLIDE 36-VOLT VEHICLE	13- 3	
ACCU-POWER CHARGER, EXPORT, 230-VOLT— V-GLIDE 36-VOLT VEHICLE	13- 5	
ACCU-POWER CHARGER, EXPORT, 100-VOLT— V-GLIDE 36-VOLT VEHICLE	13- 7	
POWERDRIVE CHARGER, DOMESTIC— POWERDRIVE SYSTEM 48 AND POWERDRIVE PLUS	13- 9	
POWERDRIVE CHARGER, EXPORT— POWERDRIVE SYSTEM 48 AND POWERDRIVE PLUS	13- 11	
POWERDRIVE CHARGER, EUROPEAN— POWERDRIVE SYSTEM 48 AND POWERDRIVE PLUS	13- 13	

CONTENTS

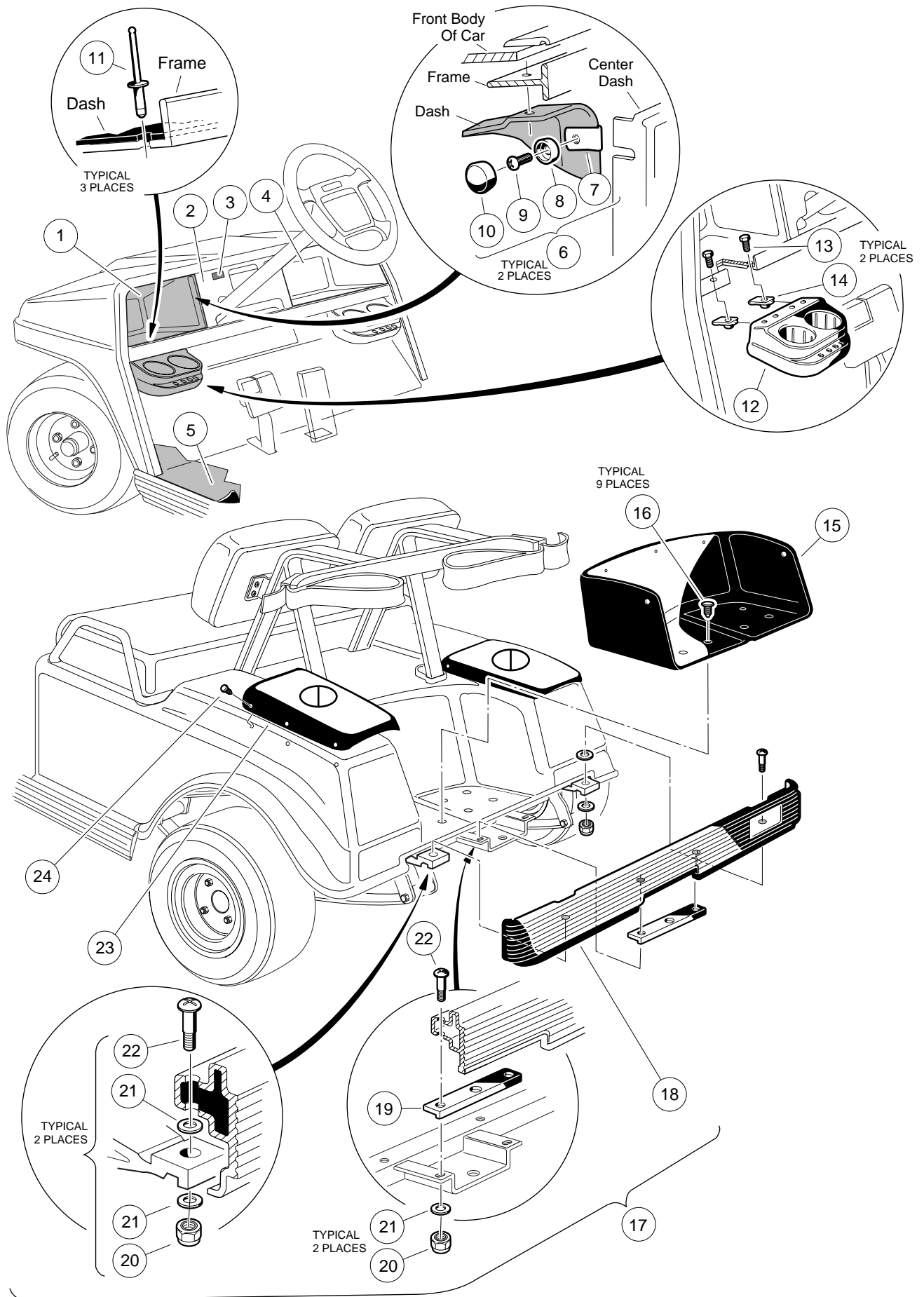
ELECTRIC MOTOR	SECTION	14
MOTOR—V-GLIDE 36-VOLT VEHICLE	14- 3	
MOTOR—POWERDRIVE SYSTEM 48 VEHICLE	14- 5	
MOTOR—POWERDRIVE PLUS VEHICLE	14- 7	
TRANSAXLE— ELECTRIC VEHICLE	SECTION	15
TRANSAXLE, TYPE G— ELECTRIC VEHICLE	15- 3	
TRANSAXLE, TYPE K— ELECTRIC VEHICLE	15- 5	
MAINTENANCE AND SERVICE TOOLS	SECTION	16
MAINTENANCE AND SERVICE TOOLS	16- 3	
MAINTENANCE AND SERVICE TOOLS, CONTINUED	16- 5	

BODY AND TRIM

1

G

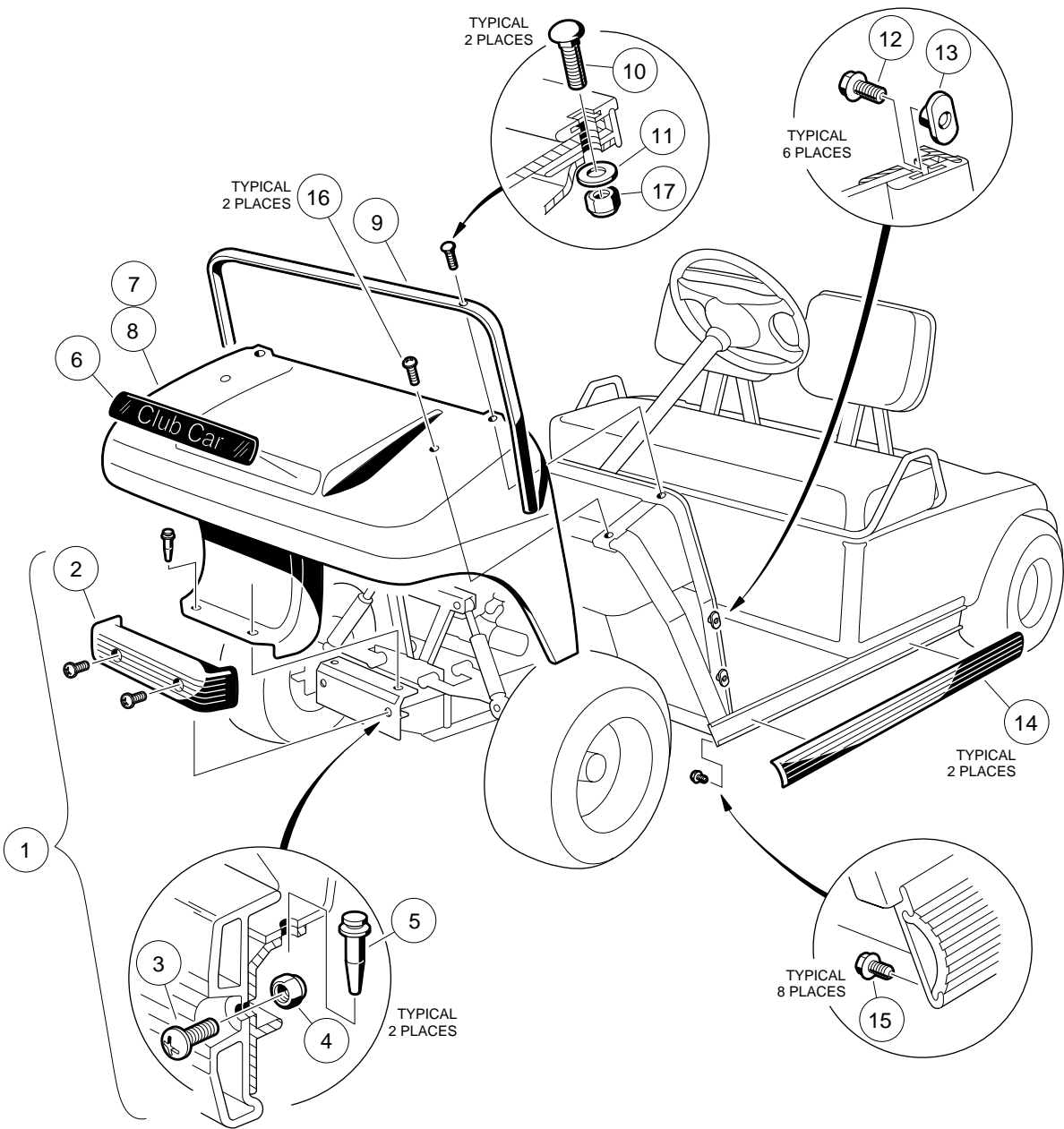
E



BODY TRIM

ITEM	PART NO.	DESCRIPTION	QTY GAS	QTY ELEC
		1 2 3 4		
1	1013344	COMPONENT, LEFT DASH, BLACK	1	1
2	101660404	PANEL, CENTER DASH, BLACK	1	1
3	101802601	PLUG, HOLE (V-GLIDE 36-VOLT VEHICLE ONLY)		1
4	1013343	COMPONENT, RIGHT DASH, BLACK	1	1
5	1015032	MAT, FLOOR	1	1
6	1014645	KIT, SNAP WASHER, BLACK (INCLUDES ITEMS 7 - 10)	2	2
7	N/A	NUT, SPEED	1	1
8	N/A	WASHER, #10	1	1
9	N/A	SCREW, #10 SHEET METAL	1	1
10	N/A	COVER, SCREW HEAD	1	1
11	7973	RIVET, ALUMINUM POP, 3/16	5	5
12	101708301	KIT, DRINK HOLDER (INCLUDES ITEMS 13 AND 14)	2	2
13	7847	SCREW, HEX HEAD CAP, 1/4 - 20 x 3/4	2	2
14	1016952	U-NUT, 1/4 - 20	2	2
15	101768202	KIT, BAGWELL PROTECTOR (INCLUDES ITEM 16)	1	1
16	1010434	FASTENER, PLASTIC BARREL	9	9
17	1017079	KIT, REAR BUMPER (INCLUDES ITEMS 18 - 22)	1	1
18	1016379	BUMPER, REAR	1	1
19	1016875	PLATE, MOUNTING, LONG	1	1
20	7473	NUT, NYLON LOCK, 5/16 - 18	4	4
21	1011697	WASHER, SPECIAL, 5/16	6	6
22	1016876	BOLT, PHILLIPS TRUSS HEAD SHOULDER, 3/8 - 18 x 2	4	4
23	101706702	KIT, SCUFF GUARD (INCLUDES ITEM 24)	1	1
24	1010434	FASTENER, PLASTIC BARREL	12	12

1
G
E

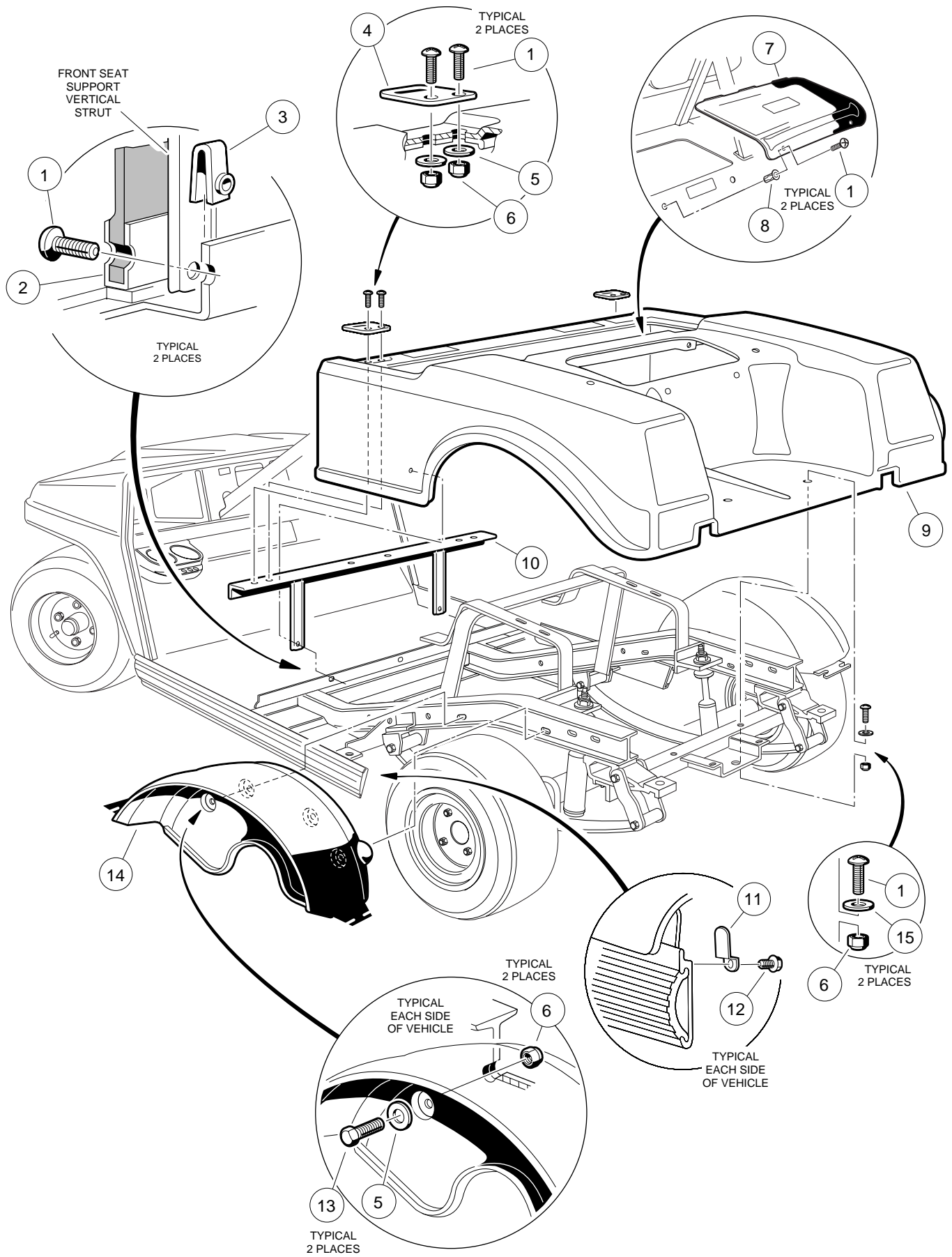


FRONT BODY

ITEM	PART NO.	DESCRIPTION	QTY GAS	QTY ELEC
		1 2 3 4		
1	1017080	KIT, FRONT BUMPER (INCLUDES ITEMS 2 - 5)	1	1
2	1016868	BUMPER, FRONT	1	1
3	7251	SCREW, PHILLIPS TRUSS HEAD, 5/16 - 18 x 1	2	2
4	7473	NUT, NYLON LOCK, 5/16 - 18	2	2
5	1016967	RIVET, PUSH TYPE BLIND	2	2
6	1014198	NAMEPLATE—GOLD	1	1
7	101692501	BODY, FRONT—BEIGE	1	1
7	101692502	BODY, FRONT—WHITE	1	1
7	101692504	BODY, FRONT—GRAY	1	1
7	101692510	BODY, FRONT—DARK GREEN	1	1
7	101692512	BODY, FRONT—CLASSIC BLUE	1	1
7	101692513	BODY, FRONT—BURGUNDY	1	1
8	101693901	BODY, FRONT WITH HEADLIGHT OPENING—BEIGE	1	1
8	101693902	BODY, FRONT WITH HEADLIGHT OPENING—WHITE	1	1
8	101693904	BODY, FRONT WITH HEADLIGHT OPENING—GRAY	1	1
8	101693909	BODY, FRONT WITH HEADLIGHT OPENING—DARK GREEN	1	1
8	101693911	BODY, FRONT WITH HEADLIGHT OPENING—CLASSIC BLUE	1	1
8	101693912	BODY, FRONT WITH HEADLIGHT OPENING—BURGUNDY	1	1
9	1011014	TRIM, FRONT BODY	1	1
10	1010435	BOLT, ROUND-HEAD SQUARE-NECK, 5/16 - 18 x 1	2	2
11	1241	WASHER, FLAT, 5/16	2	2
12	1011017	SCREW, FLANGE LOCK	6	6
13	1011394	T-NUT, SLAB BASE (PACKAGE OF 4)	1	1
14	101347501	BUMPER, SIDE GUARD TRIM	2	2
15	1012047	SCREW, SELF-TAPPING, #8 - 32 x 3/8	8	8
16	7251	SCREW, PHILLIPS TRUSS HEAD, 5/16 - 18 x 1	2	2
17	7473	NUT, NYLON LOCK, 5/16 - 18	2	2

1
G
E

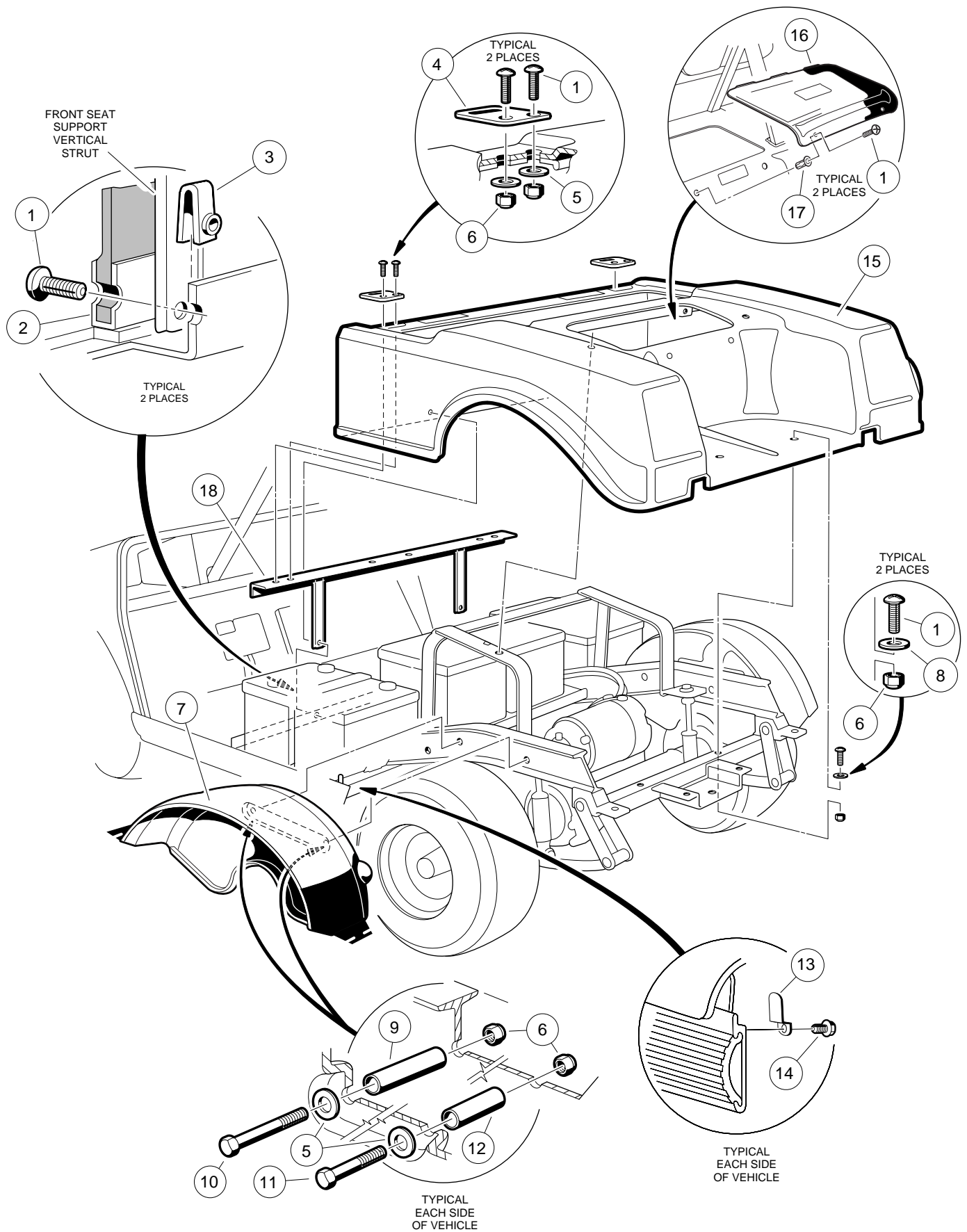
1
G
E



REAR BODY AND FENDER—GASOLINE VEHICLE

ITEM	PART NO.	DESCRIPTION	QTY GAS	QTY ELEC
		1 2 3 4		
1	8251	SCREW, PHILLIPS HEAD, 1/4 - 20 x 1	10	
2	101904101	PLATE, BODY KICK	1	
3	1016952	U-NUT, 1/4 - 20	2	
4	1012412	PLATE, BODY HINGE	2	
5	332	WASHER, FLAT, 1/4	8	
6	8233	NUT, NYLON LOCK, 1/4 - 20	10	
7	1013032	DOOR, ACCESS—BLACK	1	
7	1013140	DOOR, ACCESS—BEIGE	1	
8	1015525	NUT, BLIND, 1/4 - 20	2	
9	101692601	BODY—BEIGE	1	
9	101692602	BODY—WHITE	1	
9	101692604	BODY—GRAY	1	
9	101692610	BODY—DARK GREEN	1	
9	101692612	BODY—CLASSIC BLUE	1	
9	101692613	BODY—BURGUNDY	1	
9	101696208	BODY WITH TAILLIGHT OPENING—BEIGE	1	
9	101696209	BODY WITH TAILLIGHT OPENING—WHITE	1	
9	101696211	BODY WITH TAILLIGHT OPENING—GRAY	1	
9	101696216	BODY WITH TAILLIGHT OPENING—DARK GREEN	1	
9	101696220	BODY WITH TAILLIGHT OPENING—CLASSIC BLUE	1	
9	101696221	BODY WITH TAILLIGHT OPENING—BURGUNDY	1	
10	1017141	SUPPORT, FRONT BODY	1	
11	1017748	CLIP, BODY KEEPER	2	
12	1012047	SCREW, SELF-TAPPING, #8 - 32 x 3/8	2	
13	304	SCREW, HEX HEAD CAP, 1/4 - 20 x 1	4	
14	1017936	FENDER, INNER	2	
15	1014306	WASHER, FLAT, TYPE B, 1/4	2	

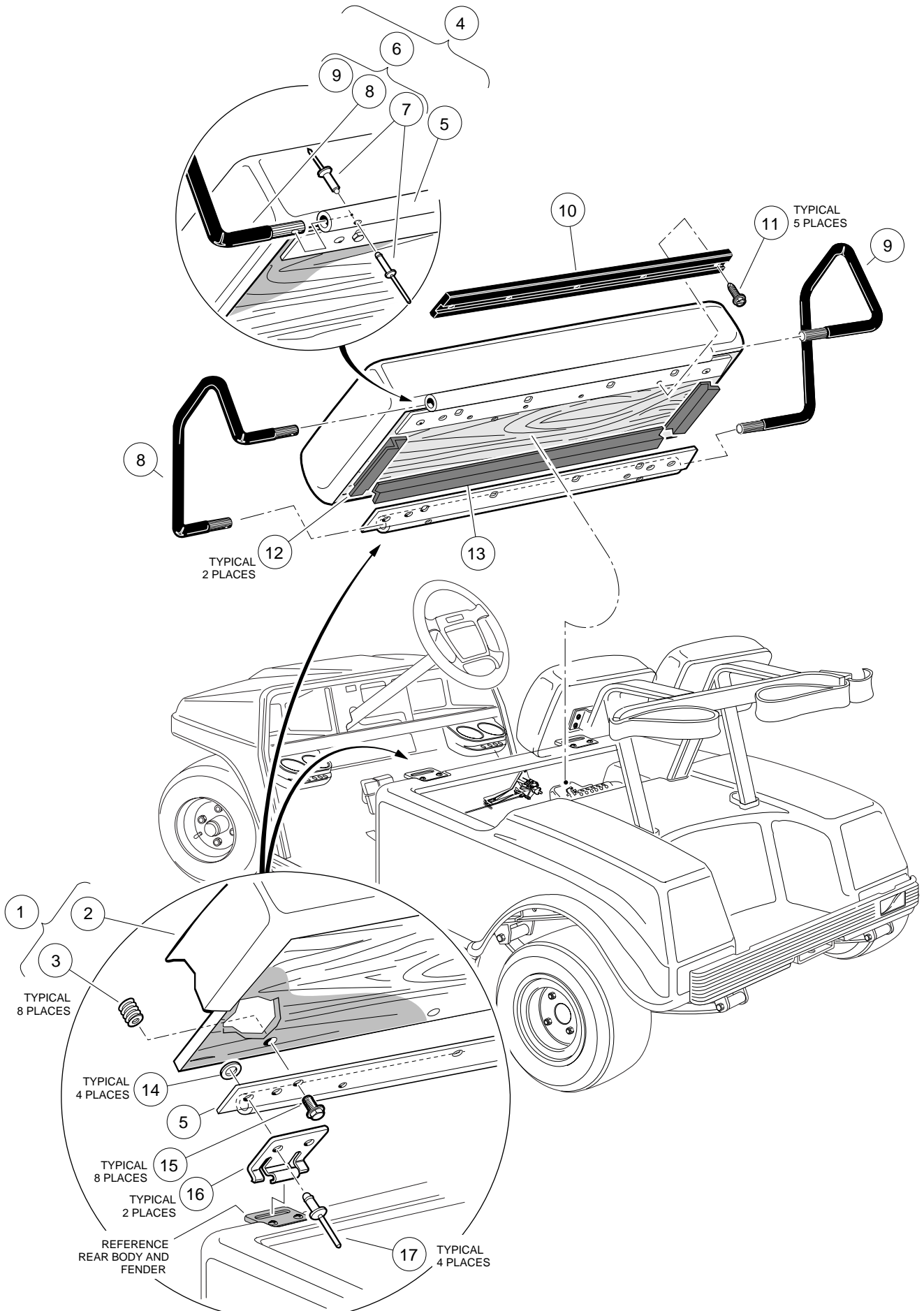
1
G
E



REAR BODY AND FENDER—ELECTRIC VEHICLE

ITEM	PART NO.	DESCRIPTION	QTY GAS	QTY ELEC
		1 2 3 4		
1	8251	SCREW, PHILLIPS HEAD, 1/4 - 20 x 1		10
2	101904101	PLATE, BODY KICK		1
3	1016952	U-NUT, 1/4 - 20		2
4	1012412	PLATE, BODY HINGE		2
5	332	WASHER, FLAT, 1/4		8
6	8233	NUT, NYLON LOCK, 1/4 - 20		10
7	1017936	FENDER, INNER		2
8	1014306	WASHER, FLAT, TYPE B, 1/4		2
9	1017814	SPACER, 1-7/8		2
10	1012159	SCREW, HEX HEAD CAP, 1/4 - 20 x 2-3/4		2
11	7479	SCREW, HEX HEAD CAP, 1/4 - 20 x 1-1/4		2
12	1017815	SPACER, 1/2		2
13	1017748	CLIP, BODY KEEPER		2
14	1012047	SCREW, SELF-TAPPING, #8 - 32		2
15	101693301	BODY—BEIGE		1
15	101693302	BODY—WHITE		1
15	101693304	BODY—GRAY		1
15	101693310	BODY—DARK GREEN		1
15	101693312	BODY—CLASSIC BLUE		1
15	101693313	BODY—BURGUNDY		1
15	101696201	BODY WITH TAILLIGHT OPENING—BEIGE		1
15	101696202	BODY WITH TAILLIGHT OPENING—WHITE		1
15	101696204	BODY WITH TAILLIGHT OPENING—GRAY		1
15	101696218	BODY WITH TAILLIGHT OPENING—DARK GREEN		1
15	101696223	BODY WITH TAILLIGHT OPENING—CLASSIC BLUE		1
15	101696224	BODY WITH TAILLIGHT OPENING—BURGUNDY		1
16	1013032	DOOR, ACCESS—BLACK		1
16	1013140	DOOR, ACCESS—BEIGE		1
17	1015525	NUT, BLIND, 1/4 - 20		2
18	1017141	SUPPORT, FRONT BODY		1

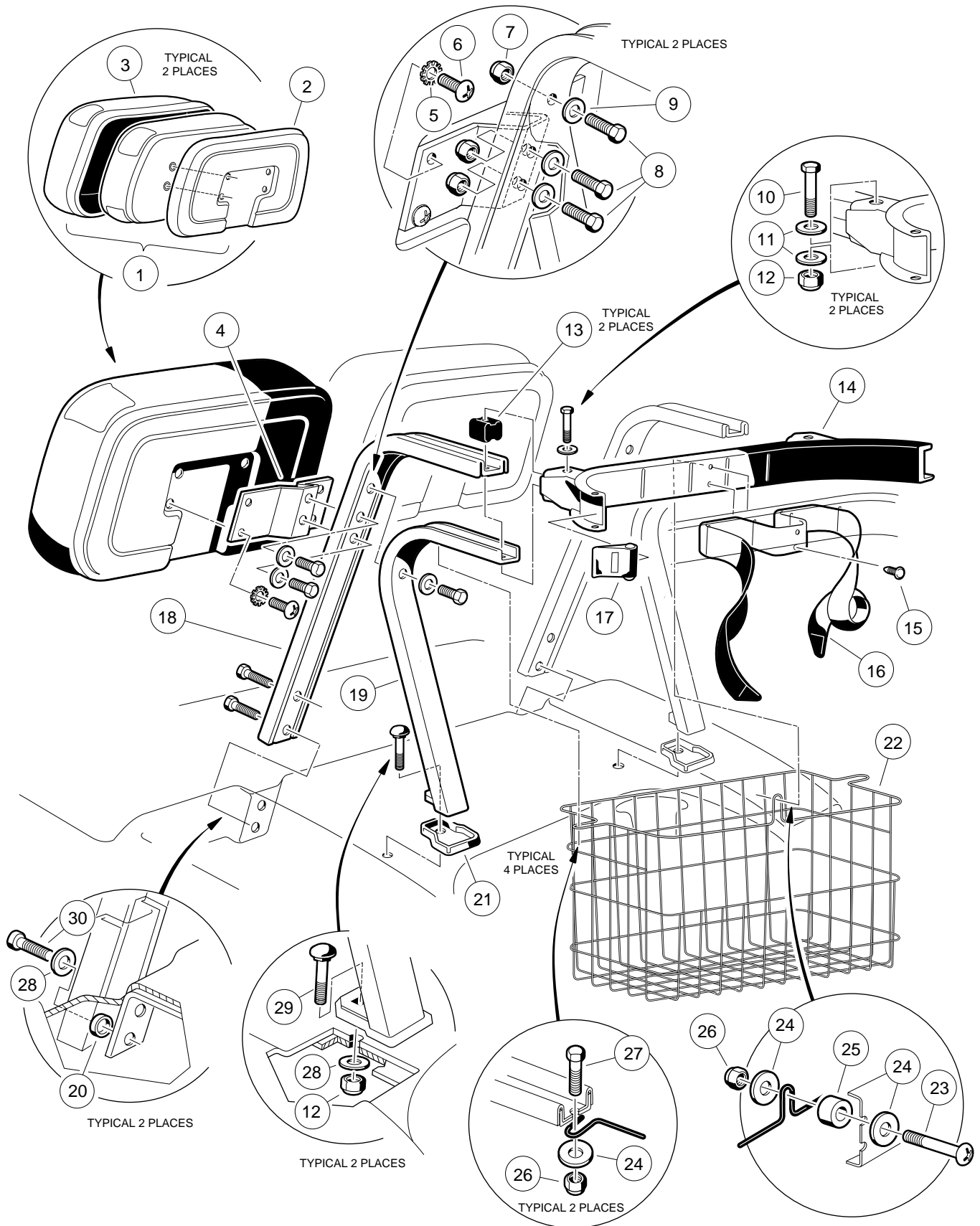
1
G
E



SEAT BOTTOM AND ARMREST

ITEM	PART NO.	DESCRIPTION	QTY GAS	QTY ELEC
		1 2 3 4		
1	101564804	ASSEMBLY, SEAT BOTTOM—BUFF (INCLUDES ITEMS 2 AND 3)	1	1
1	101564805	ASSEMBLY, SEAT BOTTOM—WHITE (INCLUDES ITEMS 2 AND 3)	1	1
1	101564807	ASSEMBLY, SEAT BOTTOM—GRAY (INCLUDES ITEMS 2 AND 3)	1	1
1	101564808	ASSEMBLY, SEAT BOTTOM—BLACK (INCLUDES ITEMS 2 AND 3)	1	1
2	101562701	COVER, VINYL SEAT BOTTOM—BUFF	1	1
2	101562702	COVER, VINYL SEAT BOTTOM—WHITE	1	1
2	101562704	COVER, VINYL SEAT BOTTOM—BLACK	1	1
2	101562710	COVER, VINYL SEAT BOTTOM—GRAY	1	1
3	1010543	INSERT, WOOD	8	8
4	1015670	ASSEMBLY, SEAT BOTTOM AND ARMREST (INCLUDES ITEMS 5 - 9)	1	1
5	1015625	BRACKET, SEAT SUPPORT	2	2
6	101951101	KIT, ARMREST (INCLUDES ITEMS 7 - 9)	1	1
7	101880901	RIVET, POP, STAINLESS STEEL, 3/16	8	8
8	N/A	ASSEMBLY, ARMREST, DRIVER SIDE	1	1
9	N/A	ASSEMBLY, ARMREST, PASSENGER SIDE	1	1
10	1012597	BUMPER, SEAT	1	1
11	1017384	SCREW, WASHER HEAD TAP, #12	5	5
12	1012656	GASKET, SEAT, SHORT (GASOLINE VEHICLE ONLY)	2	
13	1012657	GASKET, SEAT, LONG (GASOLINE VEHICLE ONLY)	1	
14	101881701	WASHER, FLAT, STAINLESS STEEL, #8	4	4
15	101954301	SCREW, HEX HEAD CAP, 1/4 - 20 x 3/4 (WITH PATCH)	8	8
16	1011652	PLATE, SEAT HINGE, STAINLESS STEEL	2	2
17	101880901	RIVET, POP, STAINLESS STEEL, 3/16	4	4

1
G
E



SEAT BACK AND BAG HOOP

ITEM	PART NO.	DESCRIPTION	QTY GAS	QTY ELEC
		1 2 3 4		
1	101565102	ASSEMBLY, SEAT BACK—WHITE (INCLUDES ITEMS 2 AND 3)	2	2
1	101565105	ASSEMBLY, SEAT BACK—BUFF (INCLUDES ITEMS 2 AND 3)	2	2
1	101565106	ASSEMBLY, SEAT BACK—GRAY (INCLUDES ITEMS 2 AND 3)	2	2
1	101565107	ASSEMBLY, SEAT BACK—BLACK (INCLUDES ITEMS 2 AND 3)	2	2
2	1013335	CAP, SEAT BACK—BLACK	2	2
3	101562601	COVER, VINYL, SEAT BACK—BUFF	2	2
3	101562602	COVER, VINYL, SEAT BACK—WHITE	2	2
3	101562604	COVER, VINYL, SEAT BACK—BLACK	2	2
3	101562605	COVER, VINYL, SEAT BACK—GRAY	2	2
4	1017409	MOUNT, SEAT BACK	2	2
5	101946201	WASHER, EXTERNAL TOOTH LOCK, 1/4	8	8
6	8248	SCREW, PHILLIPS TRUSS HEAD, 1/4 - 20 x 3/4	8	8
7	8233	NUT, NYLON LOCK, 1/4 - 20	6	6
8	7847	SCREW, HEX HEAD, 1/4 - 20 x 3/4	6	6
9	332	WASHER, FLAT, 1/4	6	6
10	1010921	SCREW, CAP HEX HEAD, 5/16 - 18 x 2-1/2	2	2
11	1015075	WASHER, FLAT, 5/16	4	4
12	7473	NUT, NYLON LOCK, 5/16 - 18	4	4
13	1013884	SPACER, BAG HOOP	2	2
14	1013935	ASSEMBLY, BAG HOOP (INCLUDES ITEMS 15 - 17)	1	1
15	1010434	FASTENER, PLASTIC BARREL	2	2
16	1010413	STRAP, BAG	1	1
17	1013754	BUCKLE, BAG STRAP	2	2
18	1011708	SUPPORT, SEAT BACK, MAIN	2	2
19	1011710	ASSEMBLY, KNEE BRACE WELDMENT	2	2
20	1017774	SPACER, BODY	4	4
21	1011706	PAD, MOUNTING, SEAT BACK SUPPORT	2	2
22	101707206	KIT, SWEATER BASKET (INCLUDES ITEMS 23 - 27)	1	1
23	8418	SCREW, PHILLIPS TRUSS HEAD, 1/4 - 20 x 1-1/2	1	1
24	1015075	WASHER, FLAT, 5/16	4	4
25	1014482	SPACER, NYLON	1	1
26	8233	NUT, NYLON LOCK, 1/4 - 20	3	3
27	7479	SCREW, HEX HEAD CAP, 1/4-20 x 1-1/4.....	2	2
28	1241	WASHER, FLAT, 5/16	2	2
29	7818	BOLT, ROUND-HEAD SQUARE-NECK, 5/16 - 18 x 1-1/2	2	2
30	101910401	SCREW, SELF-TAPPING, 5/16 - 18 x 1-1/4	4	4

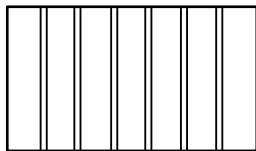
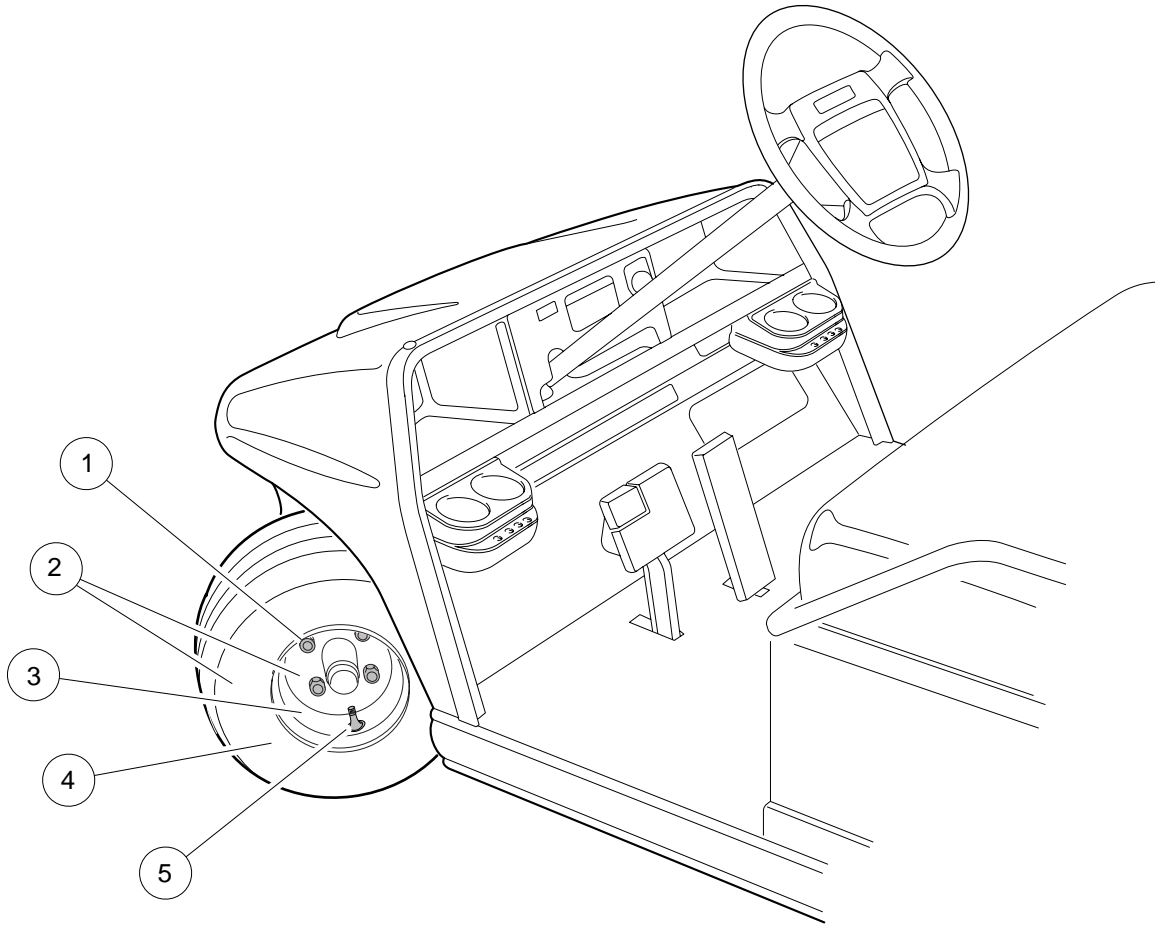
1
G
E

WHEELS AND TIRES

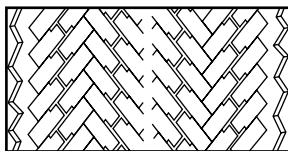
2

G

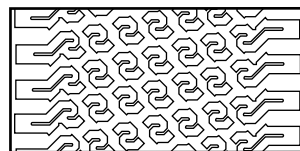
E



STANDARD
TREAD



PREMIUM
TREAD



EXTRA
TRACTION

WHEELS AND TIRES

ITEM	PART NO.	DESCRIPTION	QTY GAS	QTY ELEC
		1 2 3 4		
1	1010984	NUT, LUG	16	16
2	101570501	ASSEMBLY, WHEEL (BEIGE) AND STANDARD TREAD TIRE (18 x 8.5 - 8)	4	4
2	101570502	ASSEMBLY, WHEEL (BEIGE) AND PREMIUM TREAD TIRE (18 x 8.5 - 8)	4	4
2	101570507	ASSEMBLY, WHEEL (BEIGE) AND EXTRA TRACTION TIRE, 6-PLY RATED (18 x 8.5 - 8)	4	4
2	101651401	ASSEMBLY, WHEEL (WHITE) AND STANDARD TREAD TIRE (18 x 8.5 - 8)	4	4
2	101651402	ASSEMBLY, WHEEL (WHITE) AND PREMIUM TREAD TIRE (18 x 8.5 - 8)	4	4
2	101651407	ASSEMBLY, WHEEL (WHITE) AND EXTRA TRACTION TIRE, 6-PLY RATED (18 x 8.5 - 8)	4	4
3	1015707	WHEEL RIM, BEIGE	4	4
3	1014771	WHEEL RIM, WHITE	4	4
4	727102	TIRE, UNMOUNTED, STANDARD TREAD (18 x 8.5 - 8)	4	4
4	101567202	TIRE, UNMOUNTED, PREMIUM TREAD (18 x 8.5 - 8)	4	4
4	101769302	TIRE, UNMOUNTED, EXTRA TRACTION, 6-PLY RATED (18 x 8.5 - 8)	4	4
5	7310	STEM, VALVE	4	4

2
G
E

DECALS

3

G

E

**DRIVER / PASSENGER
WARNING DECAL**

WARNING

- READ AND FOLLOW THESE WARNINGS AND THE OPERATING INSTRUCTIONS BEFORE USING VEHICLE. FAILURE TO DO SO CAN CAUSE SEVERE INJURY OR DEATH.
- Operation from driver side by authorized persons only and only in designated areas - not on public roads.
 - DO NOT start vehicle until all occupants (two (2) per seat maximum) are seated.
 - Remain seated with entire body inside vehicle and hold on to seat handle or handrail at all times.
 - Drive slowly in turns and straight up and down slopes.
 - Never stand in front of or behind vehicle.
 - DO NOT operate while under the influence of alcohol or drugs.
 - DO NOT leave children unattended on vehicle at any time.
- CCI 1019606-01

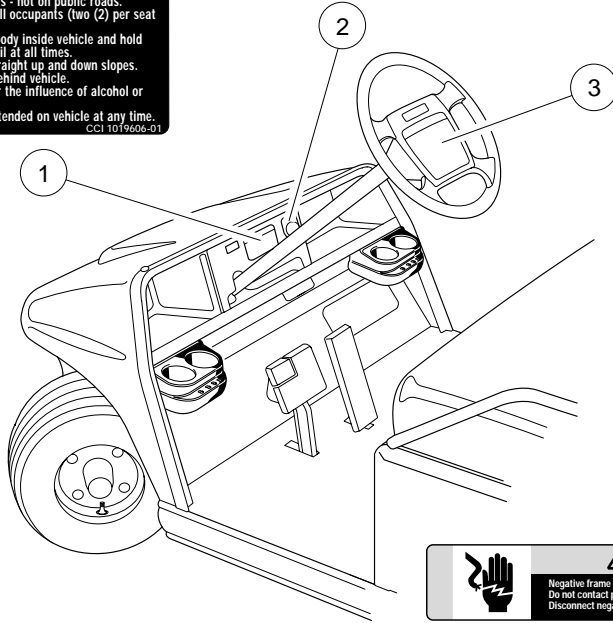
KEY SWITCH



OPERATING INSTRUCTIONS

- Read Owner's Manual and safety warnings located on dash panel prior to driving.
 - Study and understand controls.
 - Make sure wheels are turned in desired direction.
 - Turn key to "ON" position and be sure nothing is in your path.
 - While vehicle is stopped, select direction by placing shift lever or switch in desired position:
F - Forward N - Neutral R - Reverse (Buzzer will sound)
 - Vehicle will start moving when accelerator pedal is depressed.
 - Slowly depress accelerator pedal to increase speed. Park brake will release when accelerator pedal is depressed.
 - To stop, release accelerator pedal and depress brake pedal.
 - After stopping, firmly depress park brake until it locks.
 - Place forward and reverse switch in neutral position.
- Turn key "OFF" and remove key when not in use.
- CCI 1016216-01

**OPERATING INSTRUCTIONS
DECAL**



	<p>WARNING</p> <p>Negative frame ground. Can cause severe injury. Do not contact positive (+) battery post or cable to frame. Disconnect negative battery lead first.</p>		<p>WARNING</p> <p>Excessive speed. Can cause severe injury or death. Do not tamper with engine governor adjustment.</p> <p>CCI 1019152-01</p>
--	--	--	--

**FRAME GROUND AND
GOVERNOR WARNING DECAL
(ON VEHICLE FRAME NEAR BATTERY)**

WARNING

GASOLINE EXPLOSION / FIRE.

- CAN CAUSE SEVERE INJURY OR DEATH.
- NO SMOKING, SPARKS, OR OPEN FLAME.
- STOP ENGINE. ALLOW TO COOL BEFORE REFUELING.
- TURN FUEL VALVE () ON DURING OPERATION.
- () OFF DURING STORAGE OR TRANSPORT.

CCI 1015476-01

**GASOLINE WARNING DECAL
(ON VEHICLE FRAME NEAR FUEL TANK)**

WARNING

CAN CAUSE SEVERE INJURY

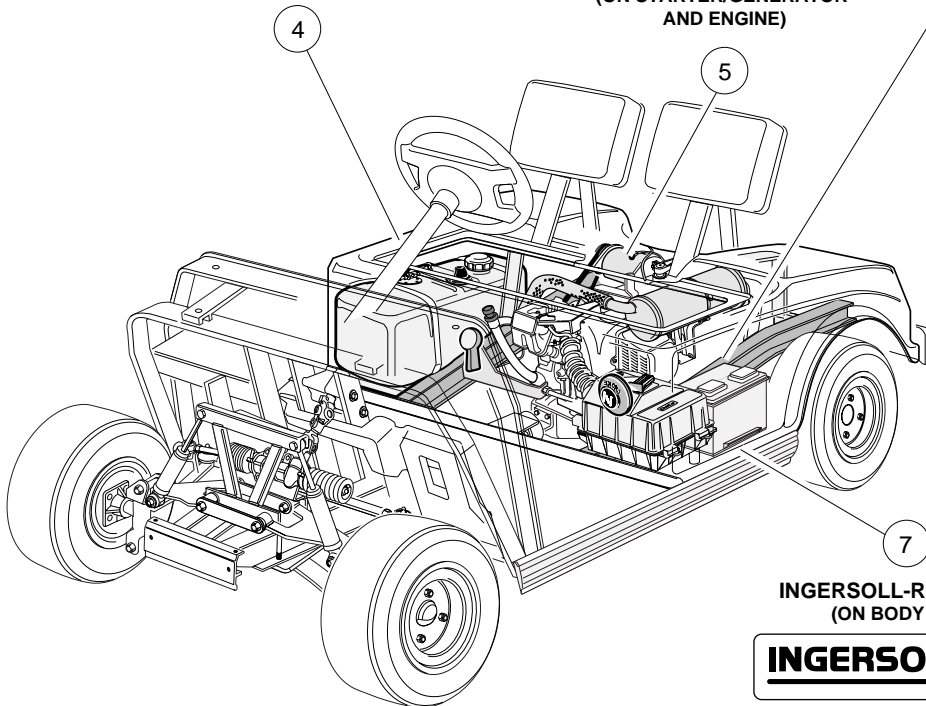
Rotating parts

HOT manifold & muffler

KEEP CLEAR

CCI 1019605-01

**ROTATING PARTS AND
HOT MANIFOLD DECAL
(ON STARTER/GENERATOR
AND ENGINE)**



**INGERSOLL-RAND DECAL
(ON BODY PANEL)**



DECALS—GASOLINE VEHICLE

ITEM	PART NO.	DESCRIPTION	QTY GAS	QTY ELEC
		1 2 3 4		
1	101960601	DECAL, DRIVER/PASSENGER WARNING	1	
2	101825101	DECAL, KEY SWITCH	1	
3	101621601	DECAL, OPERATING INSTRUCTIONS	1	
4	101547601	DECAL, GASOLINE WARNING	1	
5	101960501	DECAL, ROTATING PARTS AND HOT MANIFOLD WARNING	2	
6	101915201	DECAL, FRAME GROUND AND GOVERNOR WARNING	1	
7	101952401	DECAL, INGERSOLL-RAND (GOLD)	2	

3
G
E

**DRIVER / PASSENGER
WARNING
DECAL**

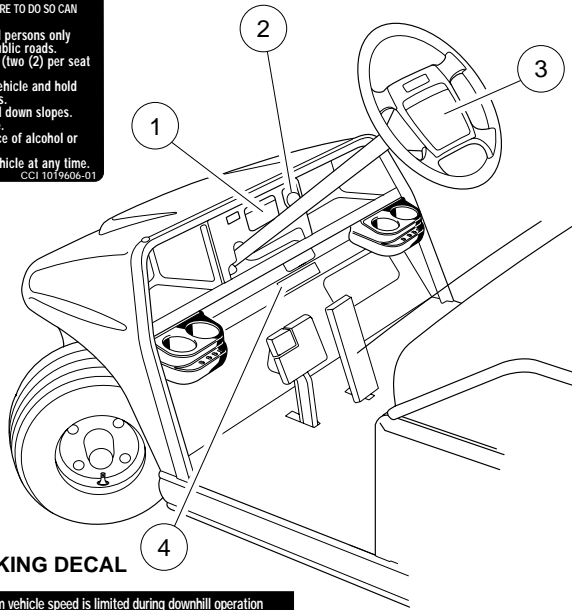
⚠ WARNING

READ AND FOLLOW THESE WARNINGS AND THE OPERATING INSTRUCTIONS BEFORE USING VEHICLE. FAILURE TO DO SO CAN CAUSE SEVERE INJURY OR DEATH.

- Operation from driver side by authorized persons only and only in designated areas - not on public roads.
- DO NOT start vehicle until all occupants (two (2) per seat maximum) are seated.
- Remain seated with entire body inside vehicle and hold on to seat handle or handrail at all times.
- Drive slowly in turns and straight up and down slopes.
- Never stand in front of or behind vehicle.
- DO NOT operate while under the influence of alcohol or drugs.
- DO NOT leave children unattended on vehicle at any time.

CCI 1019606-01

KEY SWITCH



OPERATING INSTRUCTIONS

- Read Owner's Manual and safety warnings located on dash panel prior to driving.
 - Study and understand controls.
- Make sure wheels are turned in desired direction.
- Turn key to "ON" position and be sure nothing is in your path.
- While vehicle is stopped, select direction by placing shift lever or switch in desired position:
 - F - Forward N - Neutral R - Reverse (Buzzer will sound)
- Vehicle will start moving when accelerator pedal is depressed.
- Slowly depress accelerator pedal to increase speed. Park brake will release when accelerator pedal is depressed.
- To stop, release accelerator pedal and depress brake pedal.
 - After stopping, firmly depress park brake until it locks.
 - Place forward and reverse switch in neutral position. Turn key "OFF" and remove key when not in use.

CCI 1016216-01

**OPERATING INSTRUCTIONS
DECAL**

MOTOR BRAKING DECAL

IMPORTANT NOTICE

VEHICLE EQUIPPED TO LIMIT DOWNHILL SPEED

- Maximum vehicle speed is limited during downhill operation with accelerator pedal depressed.
- Vehicle will brake gently when accelerator pedal is released.
- System is activated only when tow switch is in the "RUN" position.
- When towing vehicle, tow switch must be in the "TOW" position.

CCI 1019599-01

**BATTERY DANGER DECAL
(ON BODY UNDER SEAT)**

⚠ DANGER / POISON

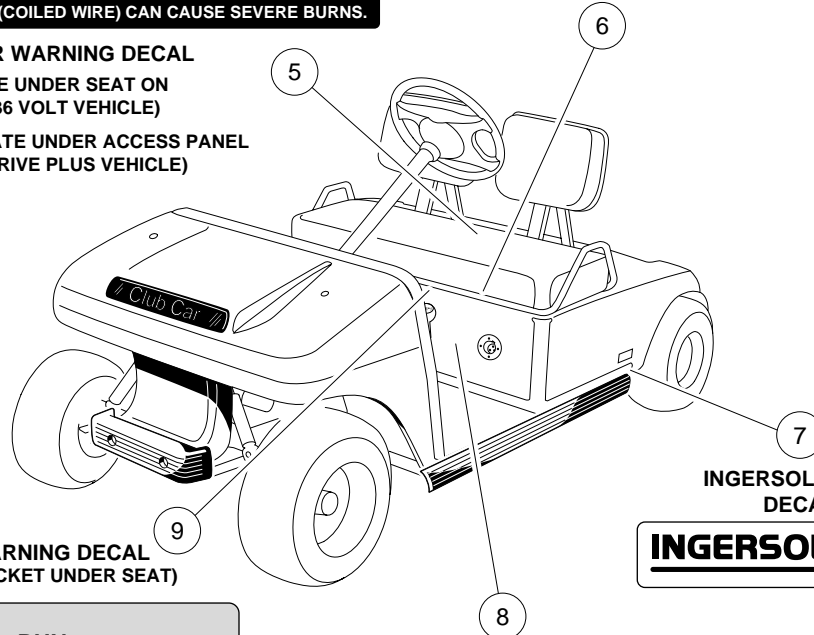
EXPLOSIVE GASES CAN CAUSE BLINDNESS OR INJURY	SHIELD EYES	NO SPARKS, FLAMES, SMOKING	SULFURIC ACID CAN CAUSE BLINDNESS OR SEVERE BURNS	FLUSH EYES IMMEDIATELY WITH WATER GET MEDICAL HELP FAST
---	-------------	----------------------------	---	--

KEEP OUT OF THE REACH OF CHILDREN - DO NOT TIP - KEEP VENT CAPS TIGHT AND LEVEL

⚠ WARNING HOT RESISTORS (COILED WIRE) CAN CAUSE SEVERE BURNS.

**RESISTOR WARNING DECAL
(ON FRAME UNDER SEAT ON
V-GLIDE 36 VOLT VEHICLE)**

**(ON MOUNTING PLATE UNDER ACCESS PANEL
ON POWERDRIVE PLUS VEHICLE)**



**INGERSOLL-RAND
DECAL**



**TOW/RUN SWITCH WARNING DECAL
(ON TOW/RUN SWITCH BRACKET UNDER SEAT)**

⚠ WARNING

TOW	RUN
------------	------------

PLACE TOW SWITCH IN "TOW" POSITION BEFORE:

- TOWING
- EXTENDED STORAGE
- SERVICING
- DISCONNECTING BATTERIES

FAILURE TO DO SO COULD RESULT IN DAMAGE TO VEHICLE OR BATTERY EXPLOSION.

CCI 1019086-01

(POWERDRIVE PLUS VEHICLE ONLY)

NOTICE

- DO NOT OPERATE VEHICLE WITHOUT COVER IN PLACE.
- DO NOT DIRECT WATER STREAM AT THIS SWITCH.

CCI 1016109-01

**POTENTIOMETER CAUTION DECAL
(ON WIPER SWITCH COVER INSIDE
BATTERY COMPARTMENT)**

DECALS—ELECTRIC VEHICLE

ITEM	PART NO.	DESCRIPTION	QTY GAS	QTY ELEC
		1 2 3 4		
1	101960601	DECAL, DRIVER/PASSENGER WARNING		1
2	101825101	DECAL, KEY SWITCH		1
3	101621601	DECAL, OPERATING INSTRUCTIONS		1
4	101959901	DECAL, MOTOR BRAKING (POWERDRIVE PLUS VEHICLE)		1
5	1013496	DECAL, RESISTOR WARNING (V-GLIDE 36-VOLT AND POWERDRIVE PLUS VEHICLES)		1
6	1013677	DECAL, BATTERY DANGER		1
7	101952401	DECAL, INGERSOLL-RAND (GOLD)		2
8	101610901	DECAL, POTENTIOMETER CAUTION		1
9	101908601	DECAL, TOW/RUN SWITCH (POWERDRIVE PLUS VEHICLE)		1

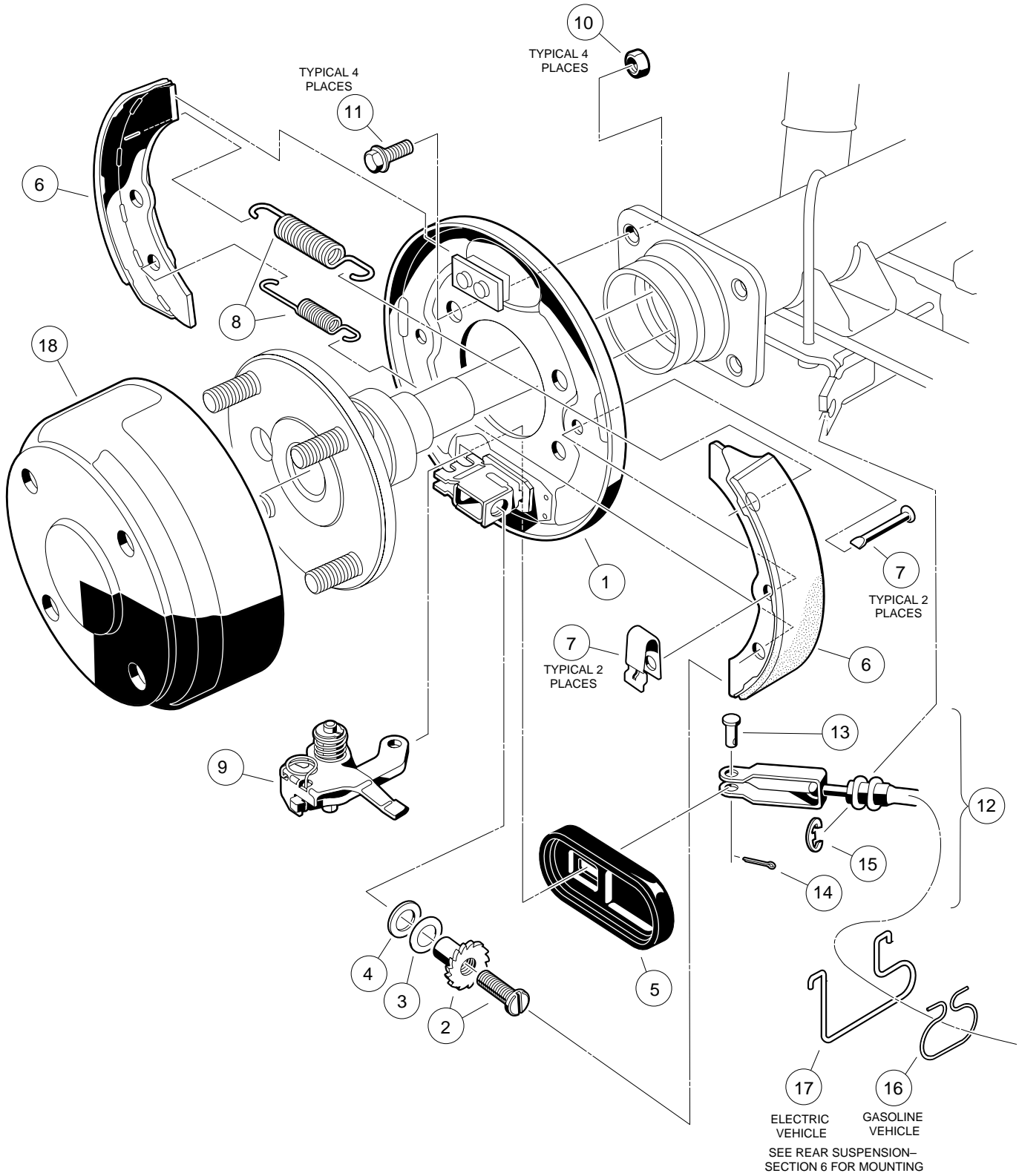
3
G
E

BRAKES, PEDAL, AND CABLE ASSEMBLIES

4

G

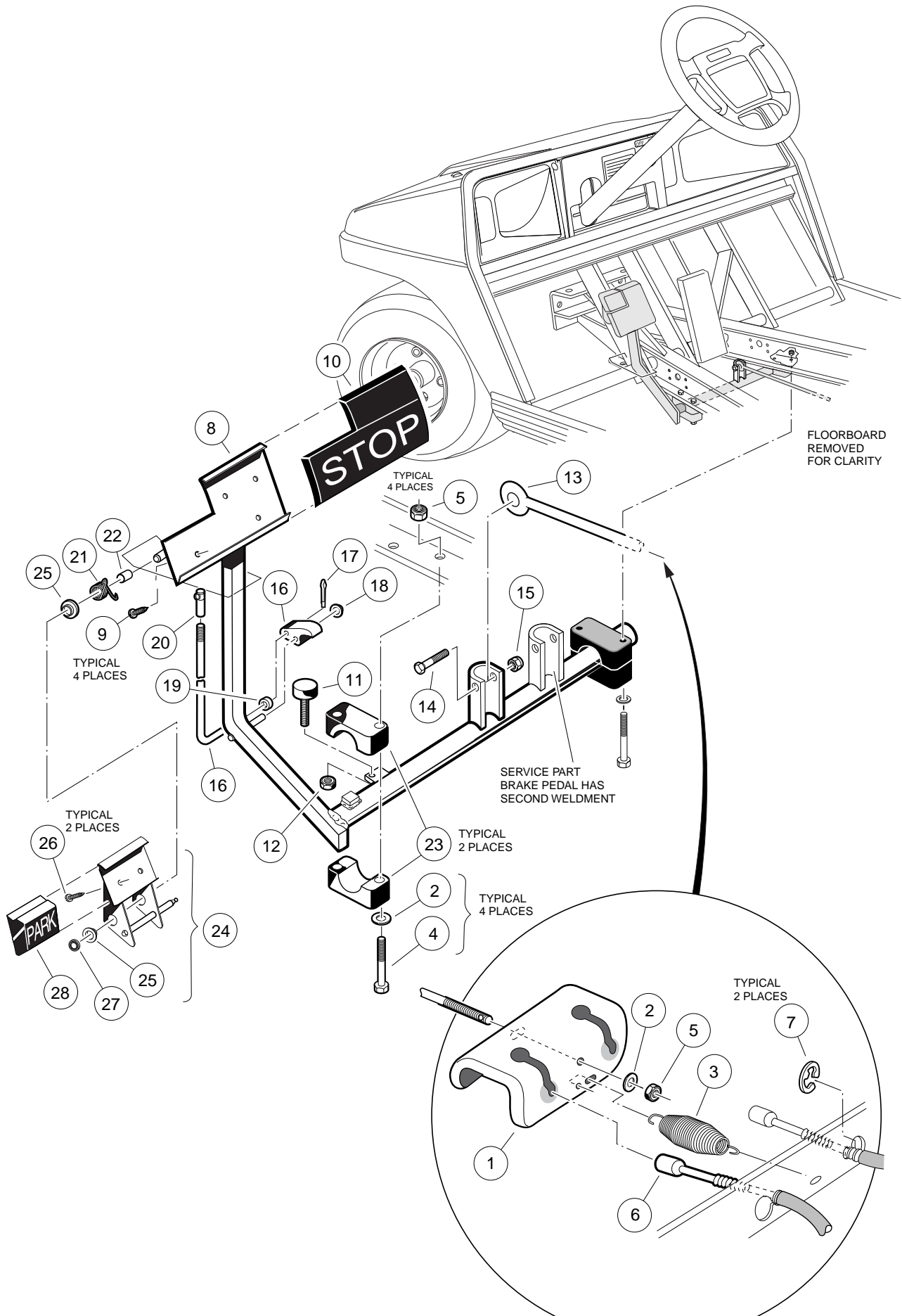
E



BRAKE ASSEMBLY

ITEM	PART NO.	DESCRIPTION	QTY GAS	QTY ELEC
		1 2 3 4		
	101823301	CLUSTER, BRAKE, PASSENGER SIDE (INCLUDES ITEMS 1 - 9)	1	1
	101823302	CLUSTER, BRAKE, DRIVER SIDE (INCLUDES ITEMS 1 - 9)	1	1
1	101824001	ASSEMBLY, BACKING PLATE, PASSENGER SIDE (INCLUDES ITEMS 2 - 4) ...	1	1
1	101824002	ASSEMBLY, BACKING PLATE, DRIVER SIDE (INCLUDES ITEMS 2 - 4)	1	1
2	101816501	MECHANISM, ADJUSTING, PASSENGER SIDE	1	1
2	101816502	MECHANISM, ADJUSTING, DRIVER SIDE	1	1
3	101823901	WASHER	1	1
4	101823801	WASHER, PLATE	1	1
5	1010850	COVER, DUST	1	1
6	101823201	PACKAGE, BRAKE SHOE (FOUR PIECES)	1	1
7	1011466	KIT, SHOE RETAINER (FOUR PIECES)	1	1
8	101816301	PACKAGE, BRAKE SPRING (FOUR PIECES)	1	1
9	101815501	ASSEMBLY, LEVER, PASSENGER SIDE	1	1
9	101815502	ASSEMBLY, LEVER, DRIVER SIDE	1	1
10	1013924	NUT, HEX HEAD LOCK, GRADE 8, 5/16 - 24	8	8
11	1014153	BOLT, BRAKE CLUSTER MOUNTING, GRADE 8, 5/16-24 x 7/8	8	8
12	102022101	KIT, BRAKE CABLE (INCLUDES ITEMS 13 -15)	2	2
13	1010829	PIN, CLEVIS, 5/16	2	2
14	1035	PIN, COTTER, 3/32 x 1	2	2
15	1011779	E-CLIP, 1/2	2	2
16	101900801	HANGER, BRAKE CABLE (GASOLINE VEHICLE ONLY)	2	
17	1013207	HANGER, BRAKE CABLE (ELECTRIC VEHICLE ONLY)		2
18	101791101	DRUM, BRAKE	2	2

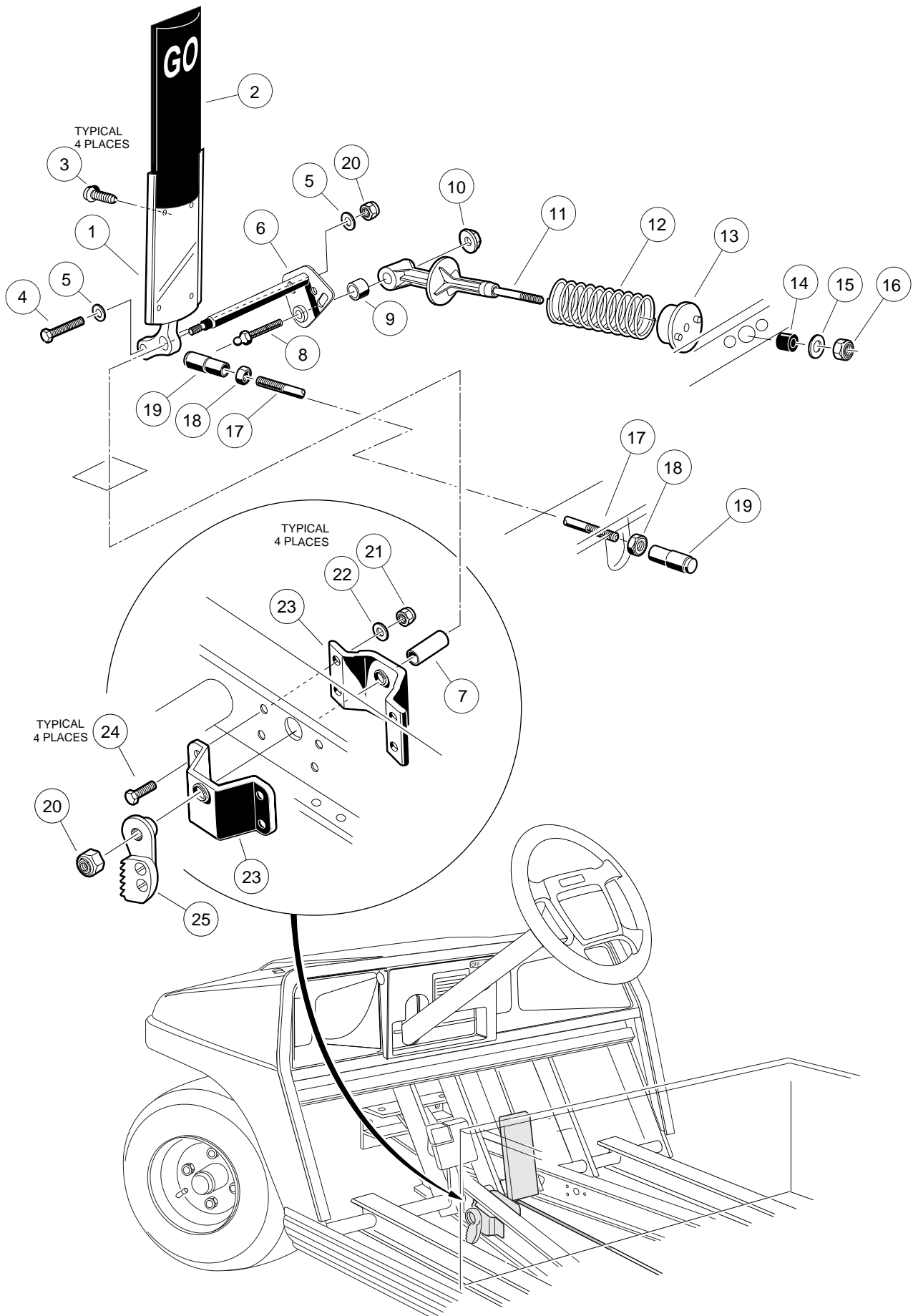
4
G
E



BRAKE PEDAL AND CABLE ASSEMBLY

ITEM	PART NO.	DESCRIPTION	QTY GAS	QTY ELEC
		1 2 3 4		
1	101990801	EQUALIZER	1	1
2	1241	WASHER, FLAT, 5/16	5	5
3	1013531	SPRING, BRAKE RETURN	1	1
4	1010921	SCREW, HEX HEAD CAP, 5/16 - 18 x 2-1/2	4	4
5	7473	NUT, NYLON LOCK, 5/16 - 18	5	5
6	102022101	KIT, BRAKE CABLE (INCLUDES ITEM 7, AND ITEMS 13 AND 14 ON PAGE 4-3) ..	2	2
7	1011779	E-CLIP, 1/2	2	2
8	101878201	KIT, BRAKE PEDAL (INCLUDES ITEMS 9 AND 10)	1	1
9	7716	SCREW, SLOTTED HEX WASHER HEAD, #10 - 16 x 1/2	4	4
10	1013869	PAD, BRAKE PEDAL	1	1
11	1010878	BUMPER, RUBBER	1	1
12	1028	NUT, HEX, 1/4 - 20	1	1
13	101953101	ROD, EQUALIZER	1	1
14	101953001	BOLT, HEX HEAD SHOULDER, 3/8 x 1	1	1
15	7473	NUT, NYLON LOCK, 5/16 - 18	1	1
	101187702	KIT, PARK BRAKE LATCH (INCLUDES ITEMS 16 - 20 AND ITEM 25 ON PAGE 4-7)	1	1
16	N/A	ROD AND PAWL	1	1
17	1017029	PIN, COTTER, 7/64 x 1/2	1	1
18	1010877	NUT, PUSH, 5/16	1	1
19	1010805	SLEEVE, PARK BRAKE ROD	1	1
20	1010932	JOINT, BALL, 1/4 - 28	1	1
21	1010933	SPRING, PARK BRAKE TORSION	1	1
22	1010927	SPACER, PARK BRAKE	1	1
23	1011402	PACKAGE, BRAKE MOUNTING BLOCK (CONTAINS UPPER AND LOWER FOR DRIVER AND PASSENGER SIDES).....	1	1
24	1011418	KIT, PARK BRAKE PEDAL (INCLUDES ITEMS 25 - 28)	1	1
25	1032	BUSHING, NYLON	2	2
26	7716	SCREW, SLOTTED HEX WASHER HEAD, #10 -16 x 1/2	2	2
27	1013876	NUT, PUSH, 3/8	1	1
28	1013870	PAD, PARK BRAKE	1	1

4
G
E



ACCELERATOR PEDAL ASSEMBLY

ITEM	PART NO.	DESCRIPTION	QTY GAS	QTY ELEC
		1 2 3 4		
1	1017696	SUB-ASSEMBLY, ACCELERATOR PEDAL (INCLUDES ITEMS 2 AND 3)	1	1
2	1013871	PAD, ACCELERATOR PEDAL	1	1
3	7716	SCREW, SLOTTED HEX WASHER HEAD, #10 - 16 x 1/2	4	4
4	1624	SCREW, HEX CAP, 3/8 - 16 x 1-1/2	1	1
5	334	WASHER, FLAT, 3/8	2	2
6	102026001	KIT, ACCELERATOR PIVOT ROD (INCLUDES ITEM 7)	1	1
7	1011700	SPACER	1	1
8	101818801	STUD, BALL	1	1
9	1017424	BEARING, PIVOT SUPPORT	1	1
10	101966901	NUT, FLANGE, 1/4 - 28	1	1
11	101817401	RETAINER, SPRING	1	1
12	101796201	SPRING, RETURN	1	1
13	1017378	CUP, SPRING	1	1
14	1017380	BUMPER, RETURN SPRING	1	1
15	1241	WASHER, FLAT, 5/16	1	1
16	7473	NUT, NYLON LOCK, 5/16 - 18	1	1
17	101871901	ASSEMBLY, ACCELERATOR ROD (POWERDRIVE SYSTEM 48 AND V-GLIDE 36-VOLT VEHICLES) (INCLUDES ITEMS 18 AND 19).....		1
17	101912401	ASSEMBLY, ACCELERATOR ROD (GASOLINE VEHICLE ONLY) (INCLUDES ITEMS 18 AND 19)	1	
18	1011084	NUT, UNF HEX JAM, 1/4 - 28	2	2
19	1011734	JOINT, SPRING-LOADED BALL	2	2
20	8754	NUT, NYLON LOCK, 3/8 - 16	2	2
21	8233	NUT, NYLON LOCK, 1/4 - 20	4	4
22	1014007	WASHER, FLAT, TYPE B, 1/4	4	4
23	1011694	SUPPORT, ACCELERATOR PIVOT ROD	2	2
24	101861901	SCREW, HEX CAP, 1/4 - 20 x 1-1/8	4	4
	101187702	KIT, PARK BRAKE LATCH (INCLUDES ITEM 25, AND ITEMS 16 - 20 ON PAGE 4-5)	1	1
25	N/A	RACHET, PARK BRAKE	1	1

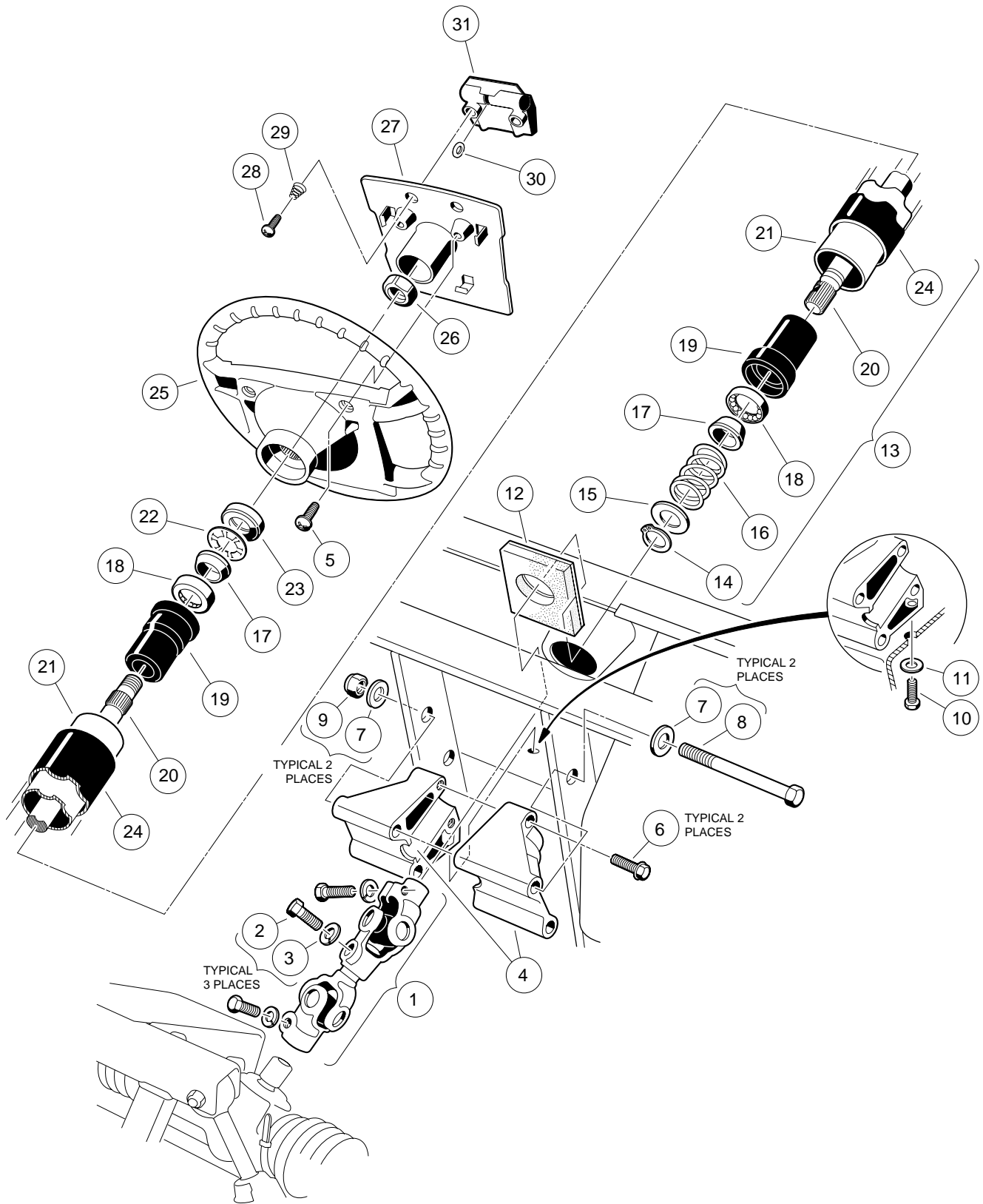
4
G
E

STEERING, FRONT AND REAR SUSPENSION

5

G

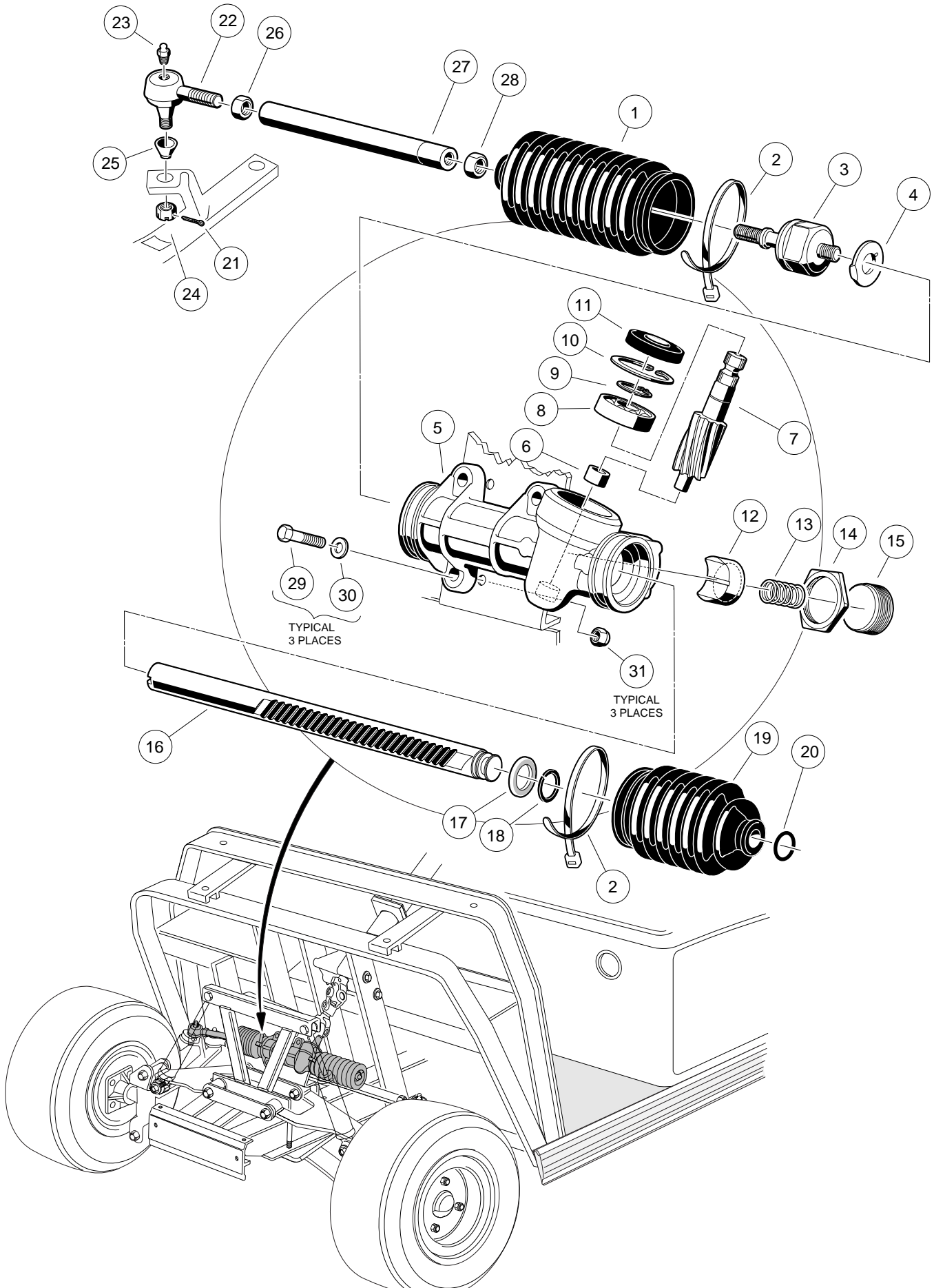
E



STEERING COLUMN

ITEM	PART NO.	DESCRIPTION	QTY GAS	QTY ELEC
		1 2 3 4		
1	1013861	JOINT, COMPOUND STEERING (INCLUDES ITEMS 2 AND 3)	1	1
2	1017226	SCREW, HEX HEAD CAP, M8 x 1.25 x 30MM	3	3
3	7174	WASHER, LOCK, 5/16	3	3
4	101984801	KIT, STEERING COLUMN MOUNTING BRACKET	1	1
5	1016663	SCREW, PHILLIPS, TYPE A, #12 - 11 x 5/8	2	2
6	1016269	SCREW, HEX WASHER HEAD THREAD FORMING, 5/16 - 18 x 2	2	2
7	334	WASHER, FLAT, 3/8	4	4
8	1016183	SCREW, HEX HEAD CAP, 3/8 - 16 x 7	2	2
9	8754	NUT, NYLON LOCK, 3/8 - 16	2	2
10	1014288	SCREW, HEX WASHER HEAD THREAD FORMING, 5/16 - 18 x 3/4	1	1
11	1011697	WASHER, FLAT, 5/16	1	1
12	1012499	BOOT, STEERING COLUMN	1	1
13	1016181	ASSEMBLY, STEERING COLUMN (INCLUDES ITEMS 14 - 23)	1	1
14	1012605	RING, RETAINING	1	1
15	1012604	WASHER, STEEL, 5/8	1	1
16	1014217	SPRING, COMPRESSION	1	1
17	1014125	WEDGE	2	2
18	1014213	ASSEMBLY, BEARING	2	2
19	1014126	SEAT, BEARING	2	2
20	1015545	SHAFT, STEERING COLUMN	1	1
21	1016622	COLUMN, ALUMINUM STEERING	1	1
22	1014214	RING, RETAINING	1	1
23	1014211	SEAL, BEARING	1	1
24	1016263	COVER, STEERING COLUMN	1	1
25	1016156	WHEEL, STEERING	1	1
26	1017273	NUT, NYLON LOCK, 5/8 - 18	1	1
27	1016219	ASSEMBLY, SCORECARD PLATE (INCLUDES ITEMS 28 - 31)	1	1
28	1012565	SCREW, ROUND HEAD, #12 - 14 x 1	2	2
29	1012566	SPRING, TAPERED COMPRESSION	2	2
30	1016214	GRIP, PENCIL	1	1
31	1016154	CLIP, SCORE CARD	1	1

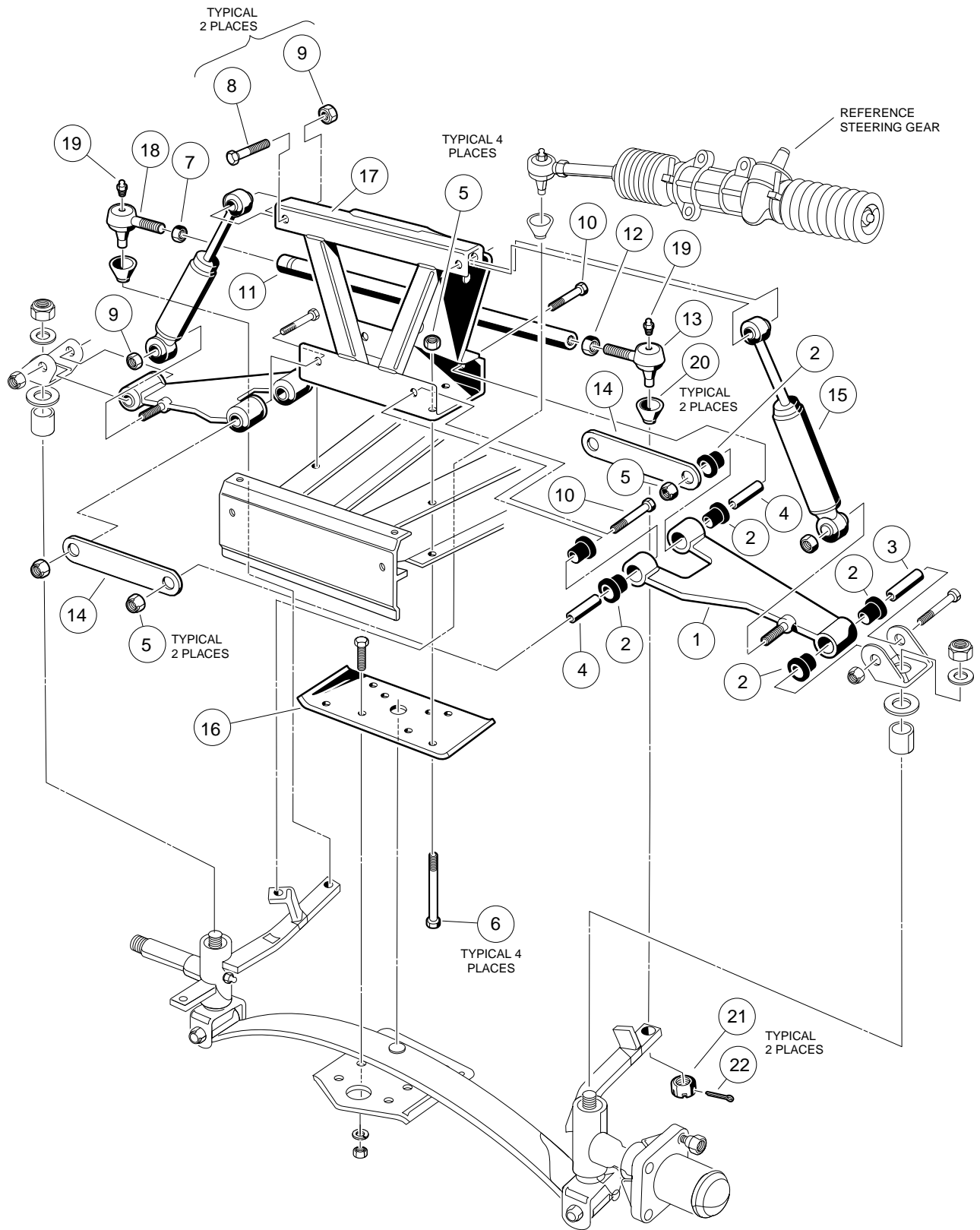
5
G
E



STEERING GEAR ASSEMBLY

ITEM	PART NO.	DESCRIPTION	QTY GAS	QTY ELEC
		1 2 3 4		
	101878302	ASSEMBLY, STEERING GEAR BOX (INCLUDES ITEMS 1 - 20)	1	1
1	1013035	SEAL, DUST, PASSENGER SIDE	1	1
2	8990	WIRE TIE	2	2
3	101880201	ASSEMBLY, INNER BALL JOINT	1	1
4	101880301	WASHER, TAB	1	1
5	N/A	BOX, STEERING GEAR	1	1
6	N/A	BEARING, LOWER PINION	1	1
7	N/A	PINION, STEERING	1	1
8	101879401	BEARING, UPPER PINION	1	1
9	101879901	RING, C-TYPE STOP	1	1
10	1013051	RING, SNAP	1	1
11	1013052	SEAL, DUST, STEERING PINION	1	1
12	101879701	GUIDE, STEERING RACK	1	1
13	101879801	SPRING, YOKE	1	1
14	1013044	NUT, LOCK, RACK SCREW	1	1
15	N/A	SCREW, RACK GUIDE	1	1
16	N/A	RACK, STEERING	1	1
17	101879501	WASHER, STOP	1	1
18	101879601	RING, C-TYPE STOP	1	1
19	101880001	SEAL, DUST, DRIVER SIDE	1	1
20	101880101	RING, RETAINING	1	1
21	1035	PIN, COTTER, 3/32 x 1	1	1
22	7540	BALL JOINT, LEFT-HAND THREAD (INCLUDES ITEMS 23, 24 AND 25)	1	1
23	1015597	FITTING, THREAD-FORMING GREASE, 1/4 - 28	1	1
24	7602	NUT, HEX SLOTTED, 3/8 - 24	1	1
25	1011930	BOOT, DUST.....	1	1
26	7555	NUT, HEX, LEFT-HAND THREAD, 1/2 - 20	1	1
27	1012467	LINK, RACK AND PINION DRAG	1	1
28	1013042	NUT, HEX, M12 x 1.75	1	1
29	1624	SCREW, HEX HEAD CAP, 3/8 - 16 x 1- 1/2	3	3
30	334	WASHER, FLAT, 3/8	3	3
31	8754	NUT, NYLON LOCK, 3/8 - 16	3	3

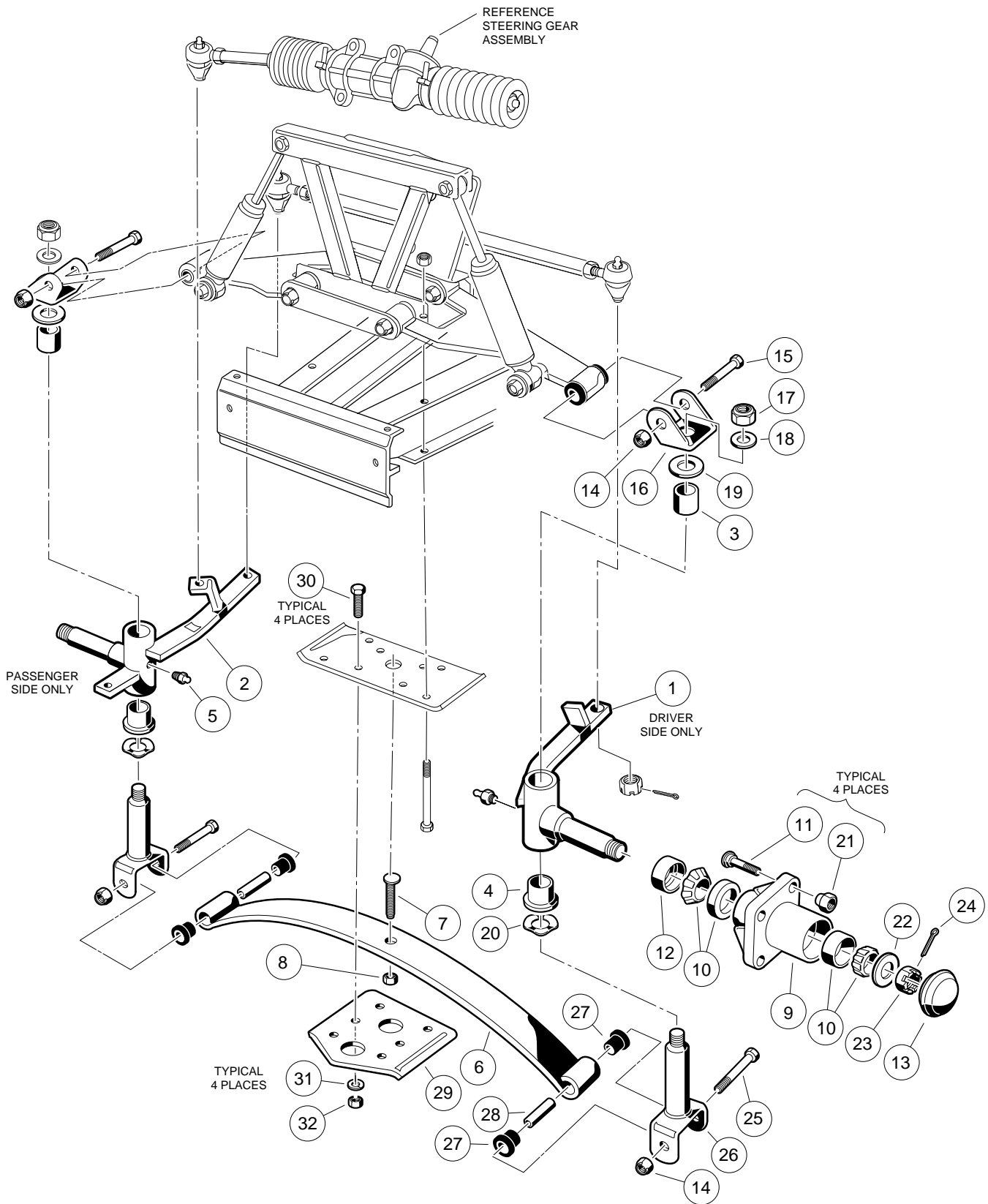
5
G
E



FRONT SUSPENSION, UPPER

ITEM	PART NO.	DESCRIPTION	QTY GAS	QTY ELEC
		1 2 3 4		
1	1016353	ASSEMBLY, DELTA A-PLATE (INCLUDES ITEMS 2, 3 AND 4)	2	2
2	1016346	BUSHING, URETHANE	6	6
3	1016350	SLEEVE, DELTA OUTER	1	1
4	1016349	SLEEVE, DELTA INNER	2	2
5	8754	NUT, NYLON LOCK, 3/8 - 16	8	8
6	1010200	SCREW, HEX HEAD CAP, 3/8 - 16 x 4-1/4	4	4
7	1308	NUT, HEX, 1/2 - 20	1	1
8	1624	SCREW, HEX HEAD CAP, 3/8 - 16 x 1-1/2	2	2
9	1010138	NUT, DIMPLED LOCK, 3/8 - 16	4	4
10	2402	SCREW, HEX HEAD CAP, 3/8 - 16 x 2-1/4	4	4
11	1010219	ROD, TIE	1	1
12	7555	NUT, HEX, LEFT-HAND THREAD, 1/2 - 20	1	1
13	7540	BALL JOINT, LEFT-HAND THREAD (INCLUDES ITEMS 19, 20 AND 21)	1	1
14	1017266	STRAP, A-PLATE	2	2
15	1014235	SHOCK ABSORBER, FRONT	2	2
16	1010124	PLATE, SPRING MOUNTING	1	1
17	1016385	ASSEMBLY, DELTA SHOCK AND GEAR SUPPORT	1	1
18	7539	BALL JOINT (INCLUDES ITEMS 19, 20 AND 21)	1	1
19	1015597	FITTING, THREAD-FORMING GREASE, 1/4 - 28	1	1
20	1011930	SEAL, DUST	1	1
21	7602	NUT, SLOTTED HEX, 3/8 - 24	1	1
22	1035	PIN, COTTER, 3/32 x 1	2	2

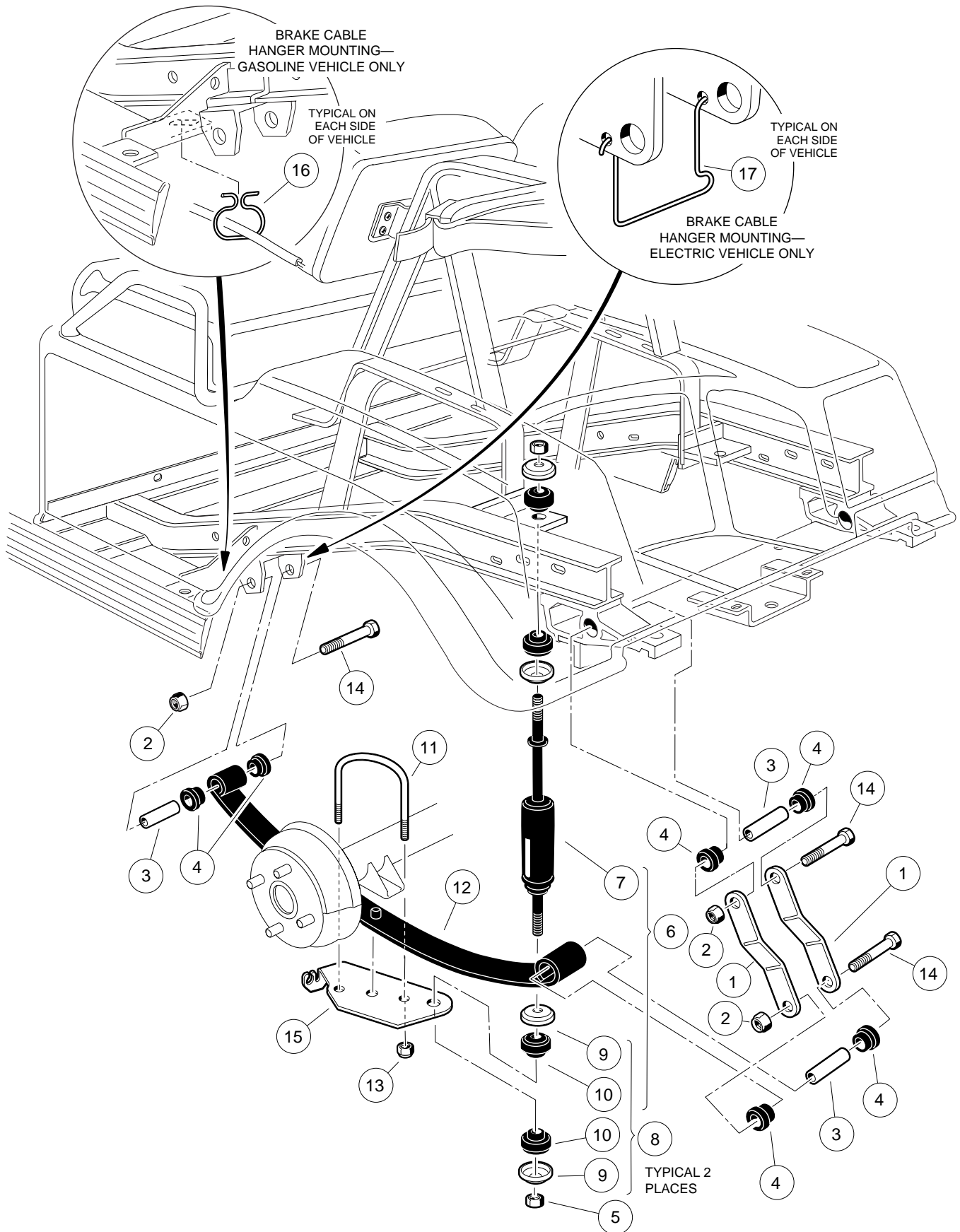
5
G
E



FRONT SUSPENSION, LOWER

ITEM	PART NO.	DESCRIPTION	QTY GAS	QTY ELEC
		1 2 3 4		
1	1010348	ASSEMBLY, SPINDLE, DRIVER SIDE (INCLUDES ITEMS 3, 4 AND 5)	1	1
2	1010347	ASSEMBLY, SPINDLE, PASSENGER SIDE (INCLUDES ITEMS 3, 4 AND 5)	1	1
3	8067	BUSHING, BRONZE SPINDLE	1	1
4	7048	BUSHING, BRONZE	1	1
5	1015597	FITTING, GREASE, 1/4 - 28	1	1
6	1012030	SPRING, TAPERED LEAF	1	1
7	8745	ECCENTRIC	1	1
8	706	NUT, HEX, 3/8 - 16	1	1
9	1011892	KIT, HUB ASSEMBLY (INCLUDES ITEMS 10 - 13)	2	2
10	1011393	PACKAGE, HUB BEARING	2	2
11	1011304	STUD, LUG, 1/2 - 20	4	4
12	1013135	SEAL, DOUBLE LIP	1	1
13	1011887	COVER, DUST	1	1
14	8754	NUT, NYLON LOCK, 3/8 - 16	4	4
15	1016387	SCREW, HEX HEAD CAP, 3/8 - 16 x 2-3/4	2	2
16	1016384	CLEVIS, UPPER DELTA	2	2
17	101903101	NUT, NYLON LOCK, 1/2 - 20	2	2
18	1010028	WASHER, FLAT, 1/2	2	2
19	1010150	BEARING, THRUST	2	2
20	1016389	WASHER, KINGPIN WAVE	2	2
21	1010984	NUT, LUG	8	8
22	1010005	WASHER, FLAT, 3/4	2	2
23	7840	NUT, HEX SLOTTED, 3/4 - 16	2	2
24	7910	PIN, COTTER, 5/32 x 1	2	2
25	8755	SCREW, HEX HEAD CAP, 3/8 - 16 x 3-3/8	2	2
26	1016386	KINGPIN	2	2
27	1015583	BUSHING, URETHANE	4	4
28	1012303	BUSHING, STEEL	2	2
29	1014276	PLATE, FRONT SPRING RETAINER	1	1
30	1624	SCREW, HEX HEAD CAP, 3/8 - 16 x 1-1/2	4	4
31	357	WASHER, LOCK, 3/8	4	4
32	706	NUT, HEX, 3/8 - 16	4	4

5
G
E



REAR SUSPENSION

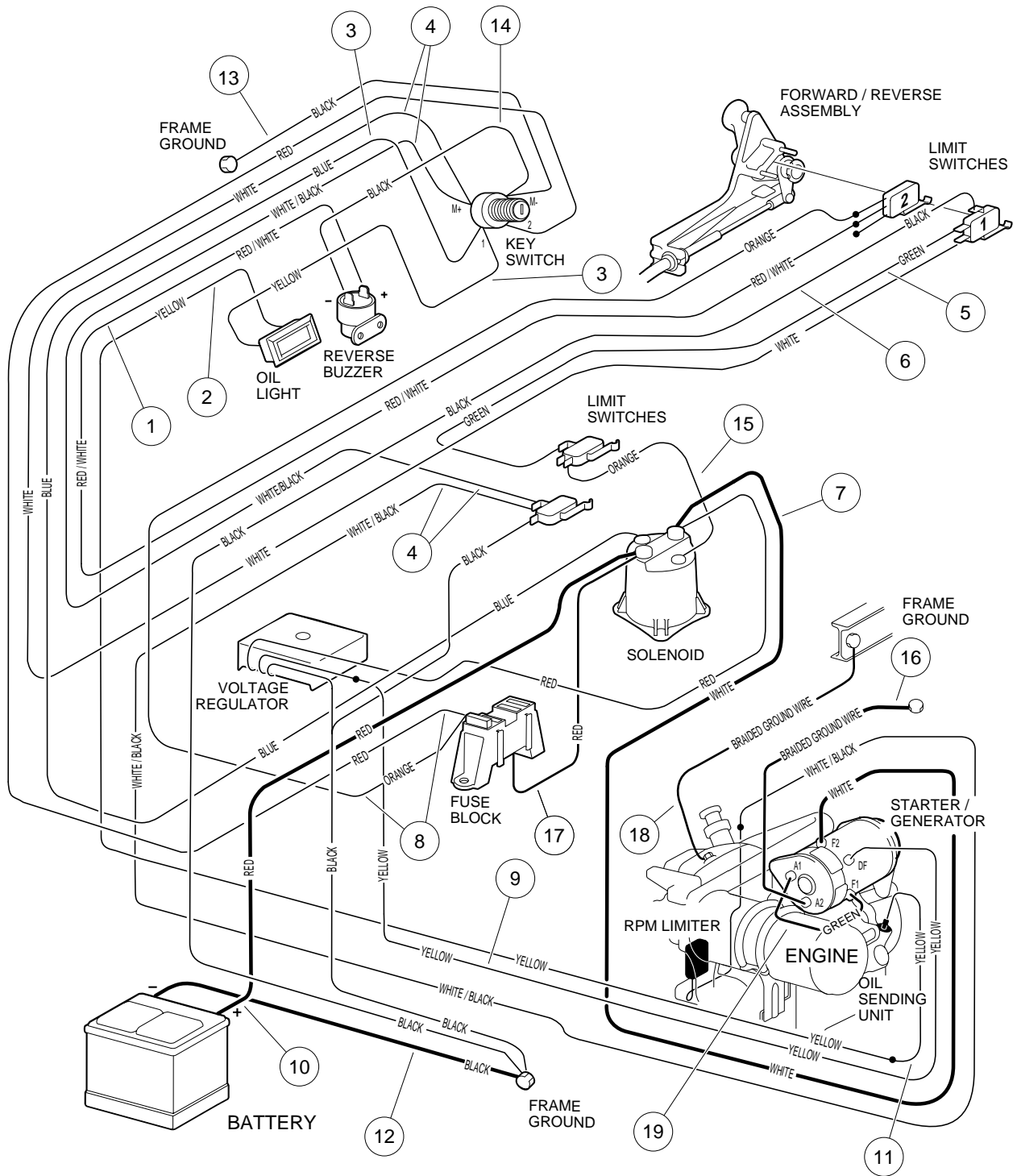
ITEM	PART NO.	DESCRIPTION	QTY GAS	QTY ELEC
		1 2 3 4		
1	1012304	SHACKLE, REAR SPRING (GASOLINE VEHICLE)	4	
1	7569	SHACKLE, REAR SPRING (ELECTRIC VEHICLE) (NOT SHOWN)		4
2	8754	NUT, NYLON LOCK, 3/8 - 16	6	6
3	1012303	BUSHING, STEEL	6	6
4	1015583	BUSHING, URETHANE	12	12
5	1010145	NUT, UNF HEX, 3/8 - 24	4	4
6	1013164	KIT, SHOCK ABSORBER (INCLUDES ITEMS 7, 9 AND 10)	1	1
7	1014236	SHOCK ABSORBER, REAR	2	2
8	1011415	KIT, SHOCK ABSORBER CUSHION (INCLUDES 2 EACH OF ITEMS 9 AND 10) ...	4	4
9	N/A	RETAINER, SHOCK ABSORBER CUSHION	8	8
10	N/A	CUSHION, SHOCK ABSORBER	8	8
11	1012180	U-BOLT	2	2
12	1012324	SPRING, REAR LEAF (GASOLINE VEHICLE)	2	
12	1010974	SPRING, REAR LEAF (ELECTRIC VEHICLE)		2
13	102065001	NUT, FLANGED LOCK, 7/16 - 24	4	4
14	8755	SCREW, HEX HEAD CAP, 3/8 - 16 x 3-3/8	6	6
15	1012182	PAD, SPRING LEFT	1	1
15	1012181	PAD, SPRING RIGHT	1	1
16	101900801	HANGER, BRAKE CABLE (GASOLINE VEHICLE)	2	
17	1013207	HANGER, BRAKE CABLE (ELECTRIC VEHICLE)		2

5
G
E

ELECTRICAL SYSTEM— GASOLINE VEHICLE

6

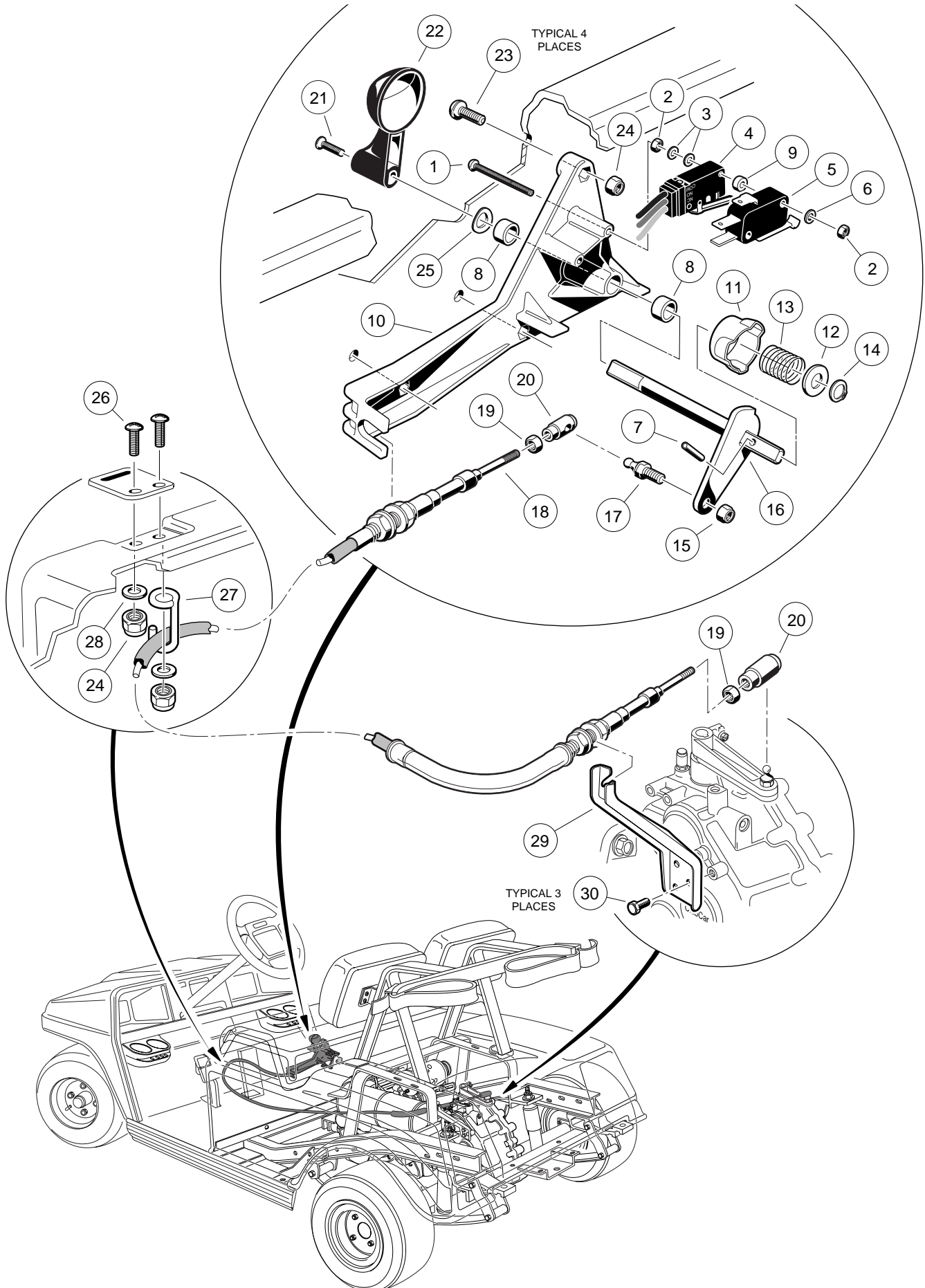
G



WIRING—GASOLINE VEHICLE

6
G

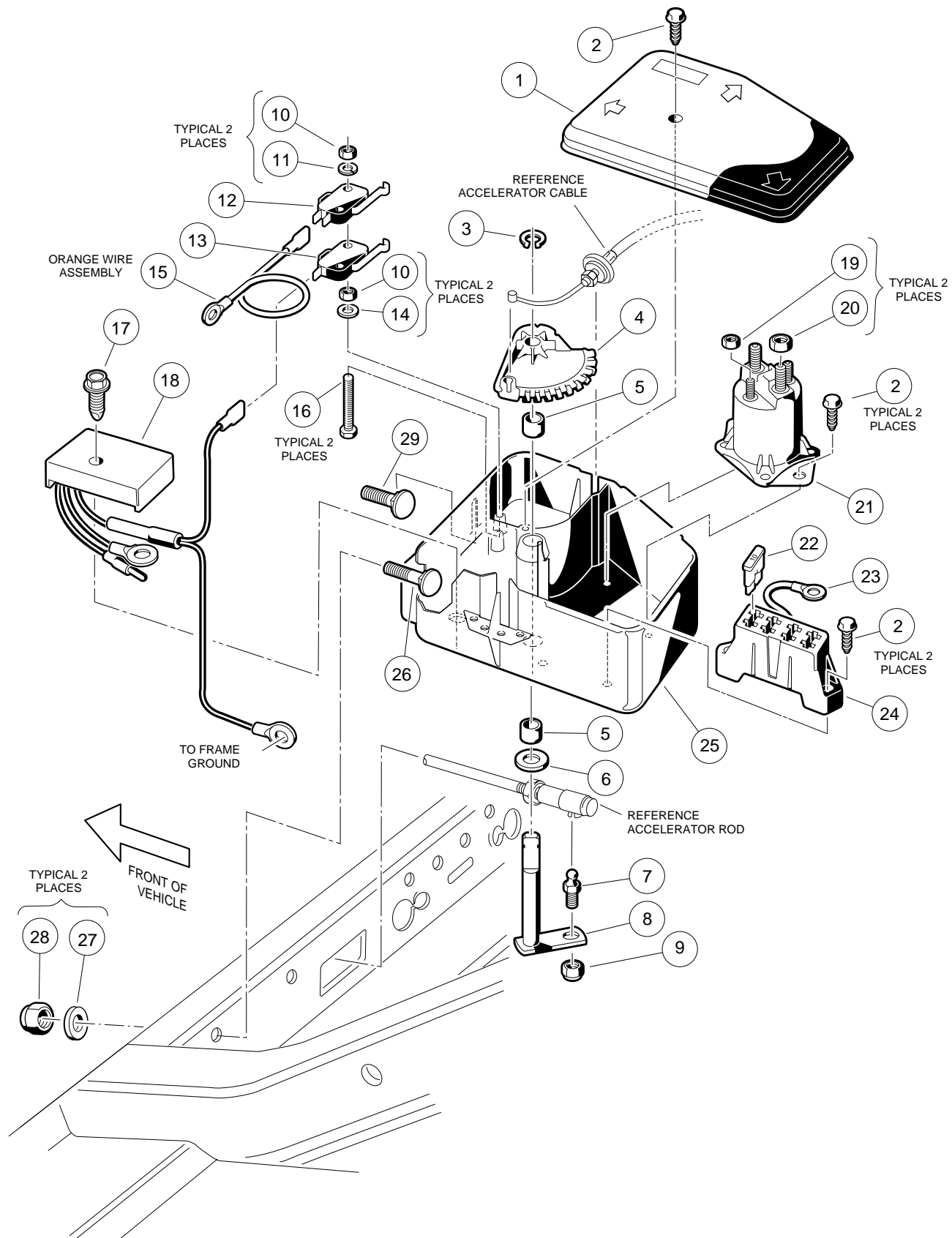
ITEM	PART NO.	DESCRIPTION	QTY
		1 2 3 4	
	101889302	WIRE HARNESS (INCLUDES ITEMS 1 - 11)	1
1	N/A	WIRE ASSEMBLY, #18 RED/WHITE	1
2	N/A	WIRE ASSEMBLY, #18 YELLOW	1
3	N/A	WIRE ASSEMBLY, #18 YELLOW AND #16 BLUE	1
4	N/A	WIRE ASSEMBLY, #18 WHITE/BLACK AND #18 WHITE	1
5	N/A	WIRE ASSEMBLY, #18 GREEN	1
6	N/A	WIRE ASSEMBLY, #18 BLACK	1
7	1015769	WIRE ASSEMBLY, #6 WHITE	1
8	N/A	WIRE ASSEMBLY, #16 RED AND #16 ORANGE	1
9	N/A	WIRE ASSEMBLY, #16 YELLOW	1
10	1014119	WIRE ASSEMBLY, #6 RED	1
11	N/A	WIRE ASSEMBLY, #18 YELLOW	1
12	1012382	WIRE ASSEMBLY, #6 BLACK	1
13	N/A	WIRE ASSEMBLY, #18 BLACK	1
14	N/A	WIRE ASSEMBLY, #18 BLACK (PART OF REVERSE BUZZER KIT)	1
15	N/A	WIRE ASSEMBLY, #16 ORANGE (PART OF THE ELECTRICAL COMPONENT BOX)	1
16	1015920	WIRE ASSEMBLY, #6 BRAIDED GROUND	1
17	1015737	WIRE ASSEMBLY, #10 RED (PART OF THE ELECTRICAL COMPONENT BOX)	1
18	1015332	WIRE ASSEMBLY, #10 BRAIDED GROUND	1
19	101837301	WIRE ASSEMBLY, #6 GREEN	1



FORWARD/REVERSE SHIFTER ASSEMBLY— GASOLINE VEHICLE

ITEM	PART NO.	DESCRIPTION	QTY
		1 2 3 4	
	1016947	ASSEMBLY, FORWARD/REVERSE SHIFTER (INCLUDES ITEMS 1 - 17)	1
1	1012594	SCREW, MACHINE, #4 - 40 x 1 1/2	2
2	8057	NUT, HEX HEAD, #4 - 40	4
3	1012431	WASHER, FLAT, #4	4
4	101979101	SWITCH, LIMIT	1
5	1014807	SWITCH, LIMIT	1
6	8058	WASHER, LOCK, #4	2
7	1013591	PIN, ROLL, 1/8	1
8	1014145	BUSHING, BRONZE	2
9	1014727	WASHER, NYLON FLAT, #4	2
10	1016342	BASE, FORWARD/REVERSE SHIFTER	1
11	1014089	KIT, NEUTRAL LOCK-OUT CAM (INCLUDES ITEM 12)	1
12	1014065	WASHER, FLAT	1
13	1013590	SPRING, FORWARD/REVERSE CAM	1
14	1013589	RING, RETAINING	1
15	8717	NUT, NYLON LOCK, 1/4 - 28	1
16	1013587	WELDMENT, FORWARD/REVERSE BELL CRANK	1
17	1010954	STUD, BALL, 1/4 - 28 x 1/4	1
18	101951501	CABLE, TRANSMISSION (INCLUDES ITEMS 19 AND 20)	1
19	7893	NUT, HEX, #10 - 32	2
20	1012333	JOINT, BALL	2
21	1013198	SCREW, PHILLIPS OVAL COUNTERSUNK MACHINE, #8 - 32 x 5/8	1
22	1012987	HANDLE, FORWARD/REVERSE SWITCH	1
23	8248	SCREW, PHILLIPS TRUSS HEAD, 1/4 - 20 x 3/4	4
24	8233	NUT, NYLON LOCK, 1/4 - 20	8
25	1016201	WASHER, WAVE, 3/8	1
26	8251	SCREW, PHILLIPS HEAD, 1/4 - 20 x 1	4
27	101855801	RETAINER, CABLE	1
28	332	WASHER, FLAT, 1/4	4
29	101922601	BRACKET, TRANSMISSION CABLE SUPPORT	1
30	1012285	SCREW, THREAD ROLLING, 1/4 - 20 x 5/8	3

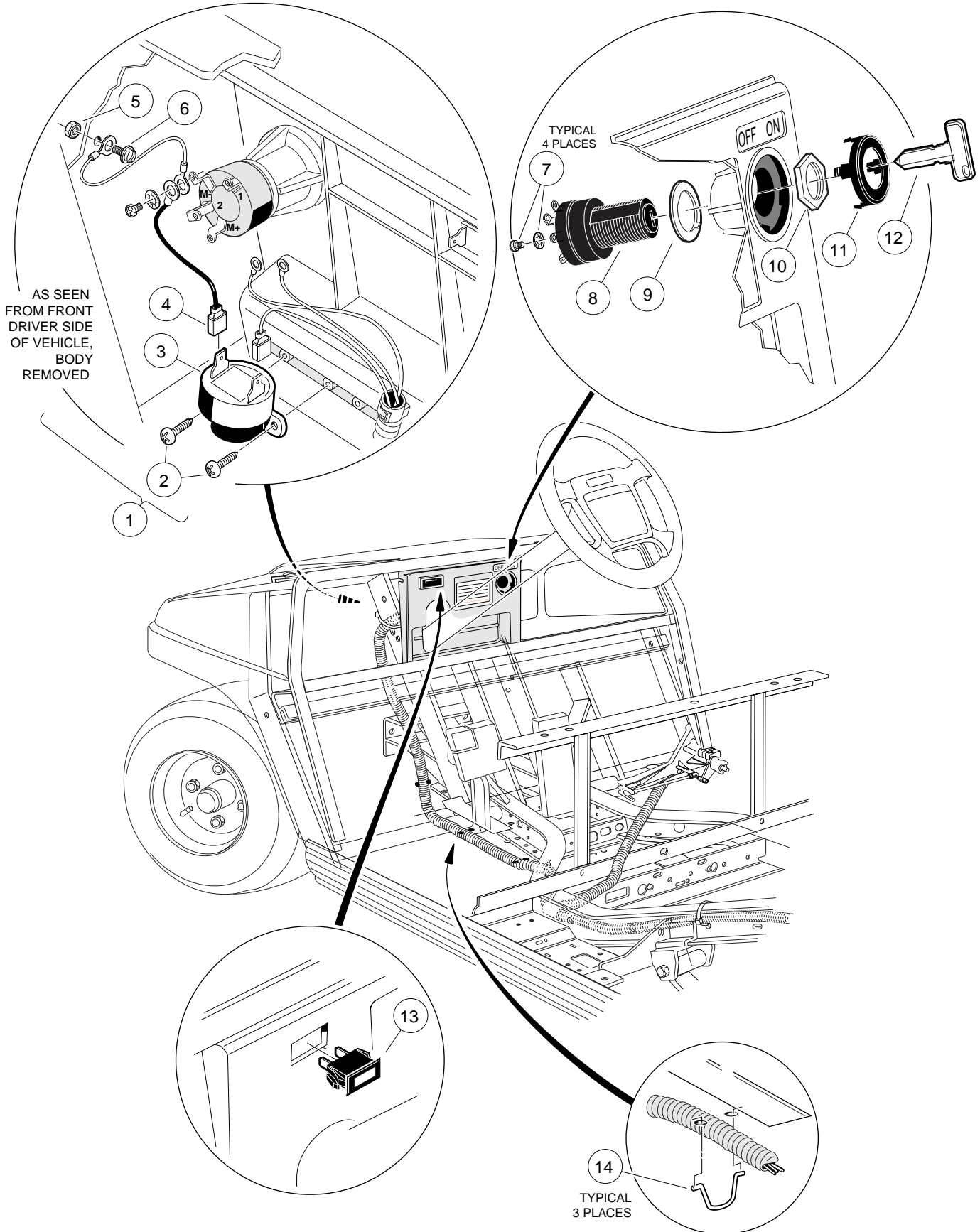
6
G



ELECTRICAL COMPONENT BOX— GASOLINE VEHICLE

6
G

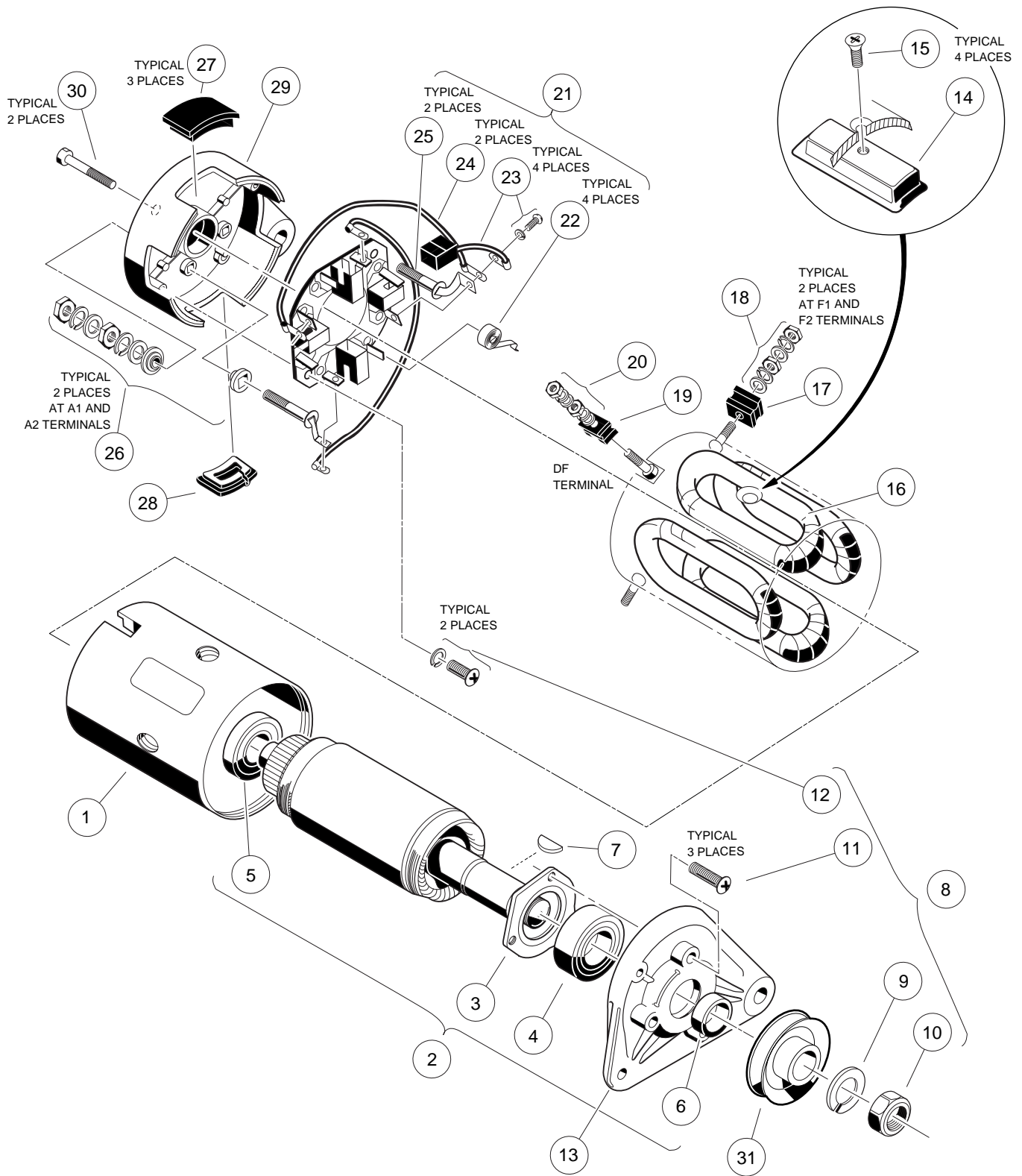
ITEM	PART NO.	DESCRIPTION	QTY
		1 2 3 4	
	101992601	BOX, ELECTRICAL COMPONENT, COMPLETE (INCLUDES ITEMS 1 - 25)	1
1	1015372	COVER, ELECTRICAL COMPONENT BOX	1
2	1015752	SCREW, HI-LO, #12 - 16 x 5/8	5
3	1013589	RING, RETAINING	1
4	1015373	CAM, ELECTRICAL BOX	1
5	1014145	BUSHING, BRONZE	2
6	1014065	WASHER, FLAT	1
7	1010954	STUD, BALL, 1/4 - 28	1
8	101821301	ASSEMBLY, BELL CRANK AND SHAFT	1
9	8717	NUT, NYLON LOCK, 1/4 - 28	1
10	8057	NUT, HEX, #4 - 40	4
11	8058	WASHER, LOCK, #4	2
12	1014807	SWITCH, LIMIT	1
13	1014808	SWITCH, LIMIT	1
14	1012431	WASHER, FLAT, #4	2
15	N/A	WIRE ASSEMBLY, #16 ORANGE	1
16	1015878	SCREW, HEX HEAD MACHINE, #4 - 40 x 1-5/8	2
17	101856102	SCREW, HEX WASHER HEAD HI-LO, 1/4 - 15 x 1-1/2	1
18	1015777	ASSEMBLY, VOLTAGE REGULATOR	1
19	7893	NUT, HEX, #10 - 32	2
20	1242	NUT, HEX, 5/16 - 18	2
21	1013609	SOLENOID, 12-VOLT	1
22	1012295	FUSE, 10-AMP	1
23	1015737	WIRE ASSEMBLY, #10 RED	1
24	1015741	BLOCK, FUSE	1
25	1015371	BOX, ELECTRICAL COMPONENT	1
26	1015405	BOLT, ROUND-HEAD SQUARE-NECK, 5/16 - 18 x 2	1
27	1241	WASHER, FLAT, 5/16	2
28	7473	NUT, NYLON LOCK, 5/16 - 18	2
29	7818	BOLT, ROUND-HEAD SQUARE-NECK, 5/16 - 18 x 1-1/2	1



ELECTRICAL COMPONENTS— GASOLINE VEHICLE

ITEM	PART NO.	DESCRIPTION	QTY
		1 2 3 4	
1	1016859	KIT, REVERSE BUZZER (INCLUDES ITEMS 2, 3 AND 4)	1
2	1016849	SCREW, PAN HEAD HI-LO, #4 - 24 x 5/16	2
3	1016851	BUZZER, REVERSE	1
4	N/A	WIRE ASSEMBLY, #18 BLACK	1
5	1011229	NUT, K LOCK, #6 - 32	1
6	1015720	SCREW, HEX WASHER HEAD, #6 - 32 x 1/2	1
7	101830601	ASSEMBLY, SCREW AND WASHER	4
8	101826301	SWITCH, KEY	1
9	101851101	WASHER	1
10	101830701	NUT, KEY SWITCH	1
11	101834502	CAP, KEY SWITCH (BLACK)	1
12	1012505	KEY (PAIR)	1
13	1016630	LIGHT, OIL WARNING	1
14	101900901	RETAINER, HARNESS	3

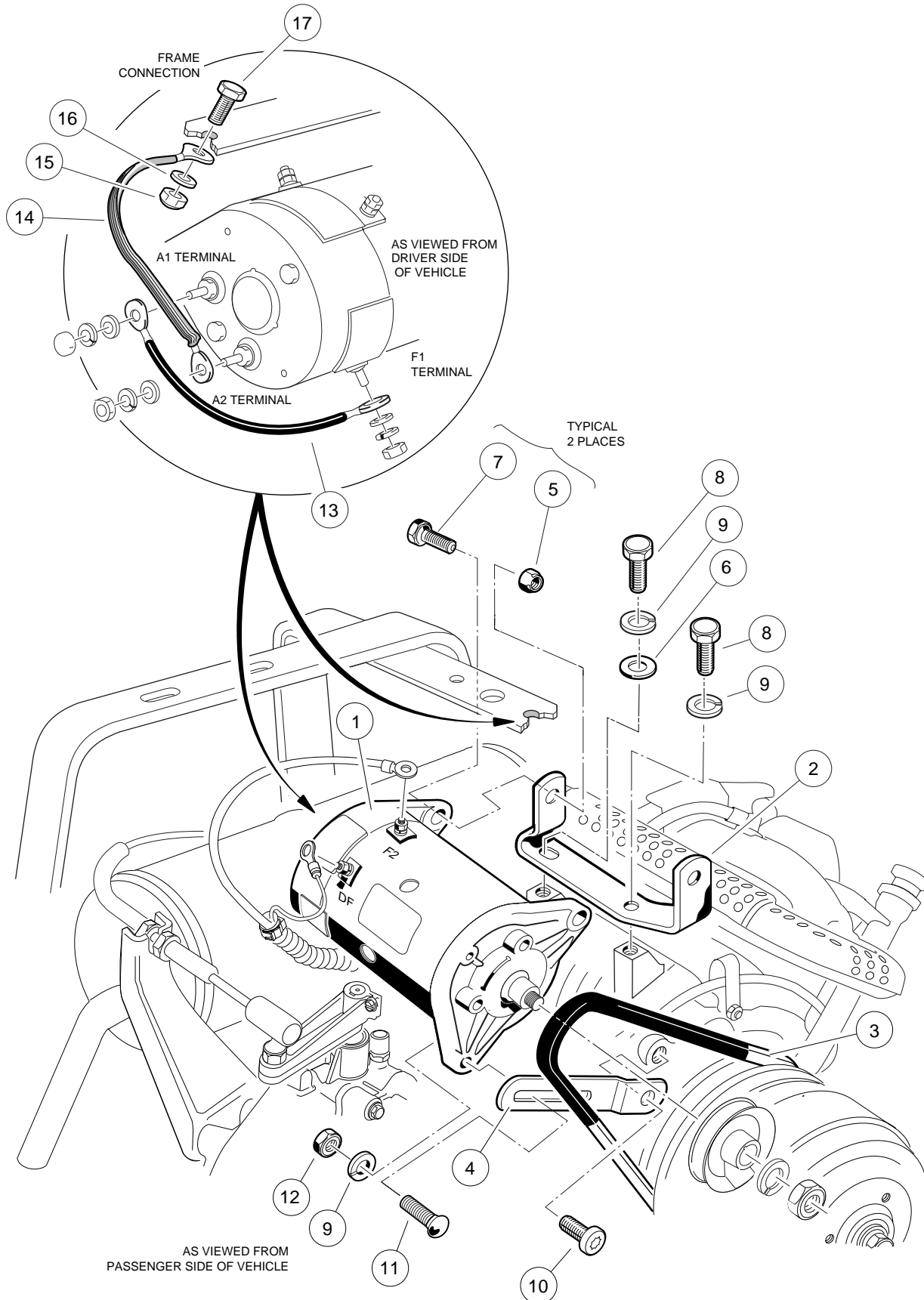
6
G



STARTER/GENERATOR ASSEMBLY

6
G

ITEM	PART NO.	DESCRIPTION	QTY
		1 2 3 4	
	101833701	STARTER/GENERATOR (CLOCKWISE ROTATION) (INCLUDES ITEMS 1 - 30)	1
1	101875201	HOUSING, FIELD COIL	1
2	101875101	ASSEMBLY, ARMATURE (INCLUDES ITEMS 3 - 6)	1
3	101875001	RETAINER, BEARING	1
4	1013001	BALL BEARING (OUTPUT SHAFT END)	1
5	1013005	BALL BEARING (COMMUTATOR END)	1
6	101939901	SPACER, 5/16	1
7	1013003	KEY, WOODRUFF	1
8	101876501	KIT, PULLEY NUT AND SCREW (INCLUDES ITEMS 9 - 12)	1
9	N/A	WASHER, LOCK, M14	1
10	N/A	NUT, HEX, M14 x 2	1
11	N/A	SCREW, CROSS - RECESSED, M5 x.8 x 18MM	3
12	101896501	SCREW, CROSS - RECESSED, M5 x.8 x 16MM (WITH LOCK WASHER)	2
13	101874901	END BELL (OUTPUT SHAFT END)	1
14	101875301	SET, POLE (SET OF 4)	1
15	101875401	SCREW, POLE PIECE (SET OF 4)	1
16	101875501	ASSEMBLY, FIELD COIL	1
17	101875601	SET, F TERMINAL INSULATOR	2
18	101877601	PACKAGE, TERMINAL HARDWARE (F1 AND F2)	2
19	101875701	SET, DF TERMINAL INSULATOR	1
20	101877701	PACKAGE, TERMINAL HARDWARE (DF)	1
21	101301102	HOLDER, BRUSH (INCLUDES ITEMS 22 - 25)	1
22	101878101	SPRING, BRUSH	4
23	101869302	PACKAGE, BRUSH (INCLUDES 4 BRUSHES, 4 SCREWS, 4 WASHERS)	1
24	101876202	ASSEMBLY, BRUSH CONNECTOR	2
25	101875802	A CONNECTOR (SET OF 2)	1
26	101876001	PACKAGE, TERMINAL HARDWARE (A1 AND A2)	2
27	101876301	COVER, BRUSH INSPECTION PORT (SET OF 4) (INCLUDES ITEM 28)	1
28	1017653	COVER, BRUSH INSPECTION PORT, WITH DRAIN	1
29	101876402	END BELL (COMMUTATOR END)	1
30	101879001	BOLT, CLAMP, M6 x 1 x 180MM	2
31	1014289	PULLEY	1

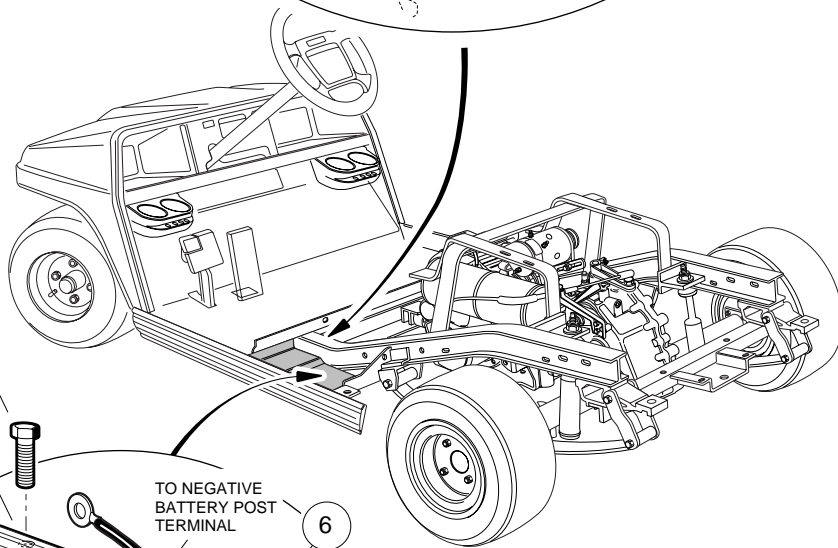
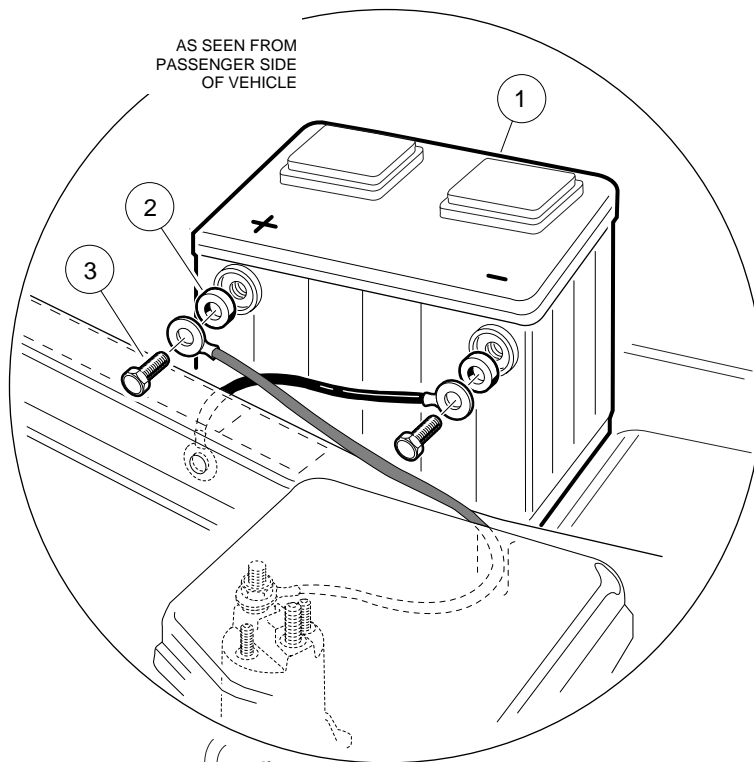


STARTER/GENERATOR MOUNTING

ITEM	PART NO.	DESCRIPTION	QTY
		1 2 3 4	
1	101833701	STARTER/GENERATOR	1
2	101524001	BRACKET, MOUNTING, FE 290	1
3	101916701	BELT, STARTER/GENERATOR	1
4	1016883	BRACKET, ADJUSTING	1
5	8754	NUT, NYLON LOCK, 3/8 - 16	2
6	1015075	WASHER, FLAT, 5/16	1
7	705	SCREW, HEX HEAD CAP, 3/8 - 16 x 1 1/4	2
8	1012830	SCREW, HEX HEAD CAP, M8 x 1.25 x 22MM	2
9	7174	WASHER, LOCK, 5/16	3
10	1016074	SCREW, TORX HEAD, M8 x 1.25 x 18MM	1
11	1015932	BOLT, ROUND-HEAD SQUARE-NECK, 5/16 - 18 x 1	1
12	1242	NUT, HEX, 5/16 - 18	1
13	101837301	WIRE ASSEMBLY, #6 GREEN	1
14	1015920	WIRE ASSEMBLY, #6 BRAIDED GROUND	1
15	7473	NUT, NYLON LOCK, 5/16 - 18	1
16	1241	WASHER, FLAT, 5/16	1
17	7173	SCREW, HEX HEAD CAP, 5/16 - 18 x 3/4	1

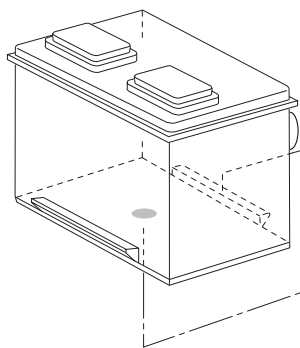
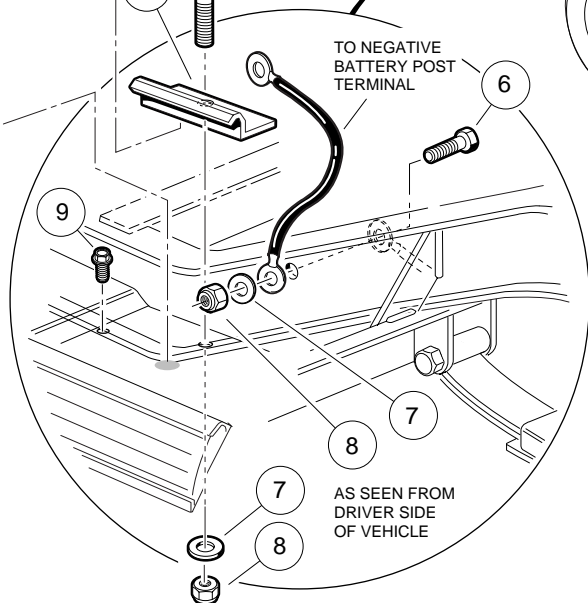
6
G

AS SEEN FROM PASSENGER SIDE OF VEHICLE



TO NEGATIVE BATTERY POST TERMINAL

AS SEEN FROM DRIVER SIDE OF VEHICLE



BATTERY—GASOLINE VEHICLE

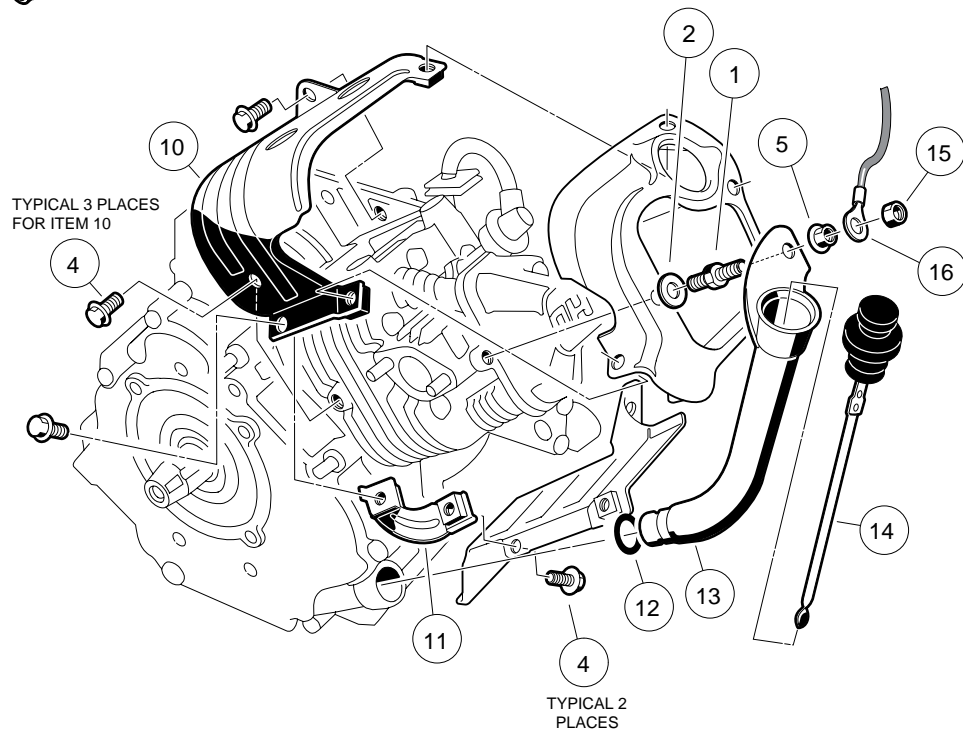
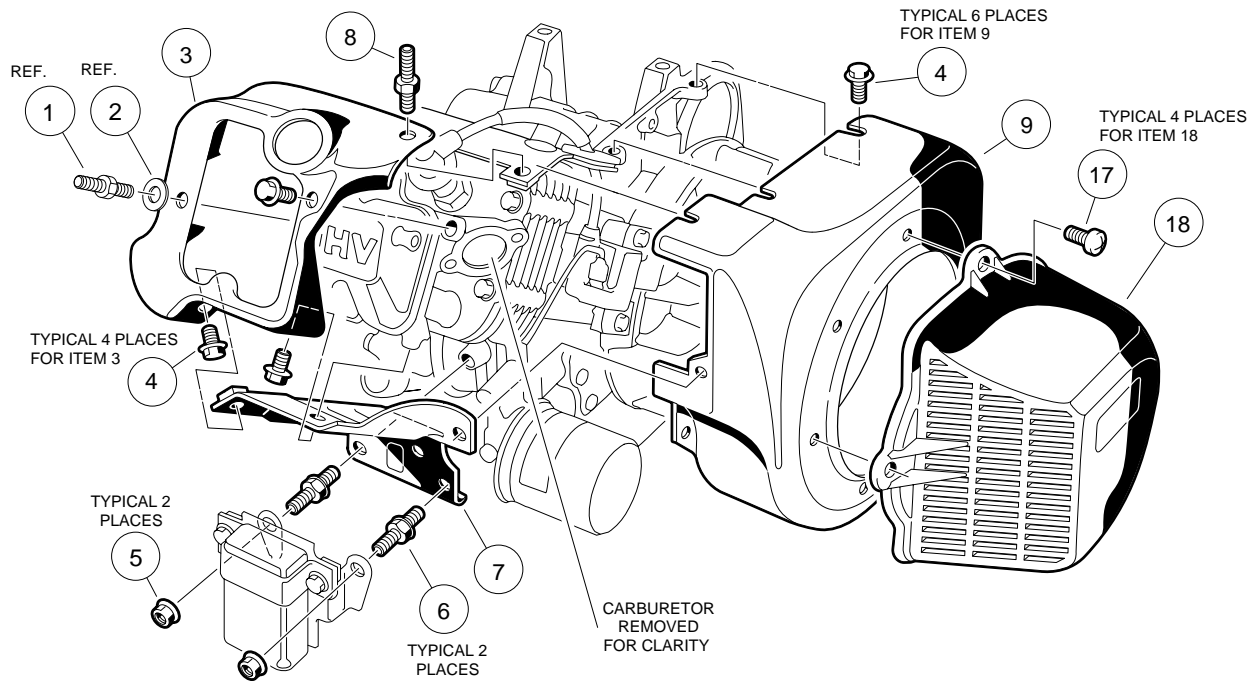
ITEM	PART NO.	DESCRIPTION	QTY
		1 2 3 4	
1	1012328	BATTERY, 12-VOLT	1
2	1014374	SPACER, BATTERY TERMINAL BOLT	2
3	1014375	SCREW, HEX HEAD CAP, STAINLESS STEEL, 3/8 - 16 x 1/2	2
4	1010934	SCREW, HEX HEAD CAP, 5/16 - 18 x 1	1
5	101898001	CLAMP, BATTERY	1
6	7173	SCREW, HEX HEAD CAP, 5/16 - 18 x 3/4	1
7	1241	WASHER, FLAT, 5/16	2
8	7473	NUT, NYLON LOCK, 5/16 - 18	2
9	1014288	SCREW, THREAD-FORMING, 5/16 - 18 x 3/4	1

6
G

FE 290 ENGINE

7

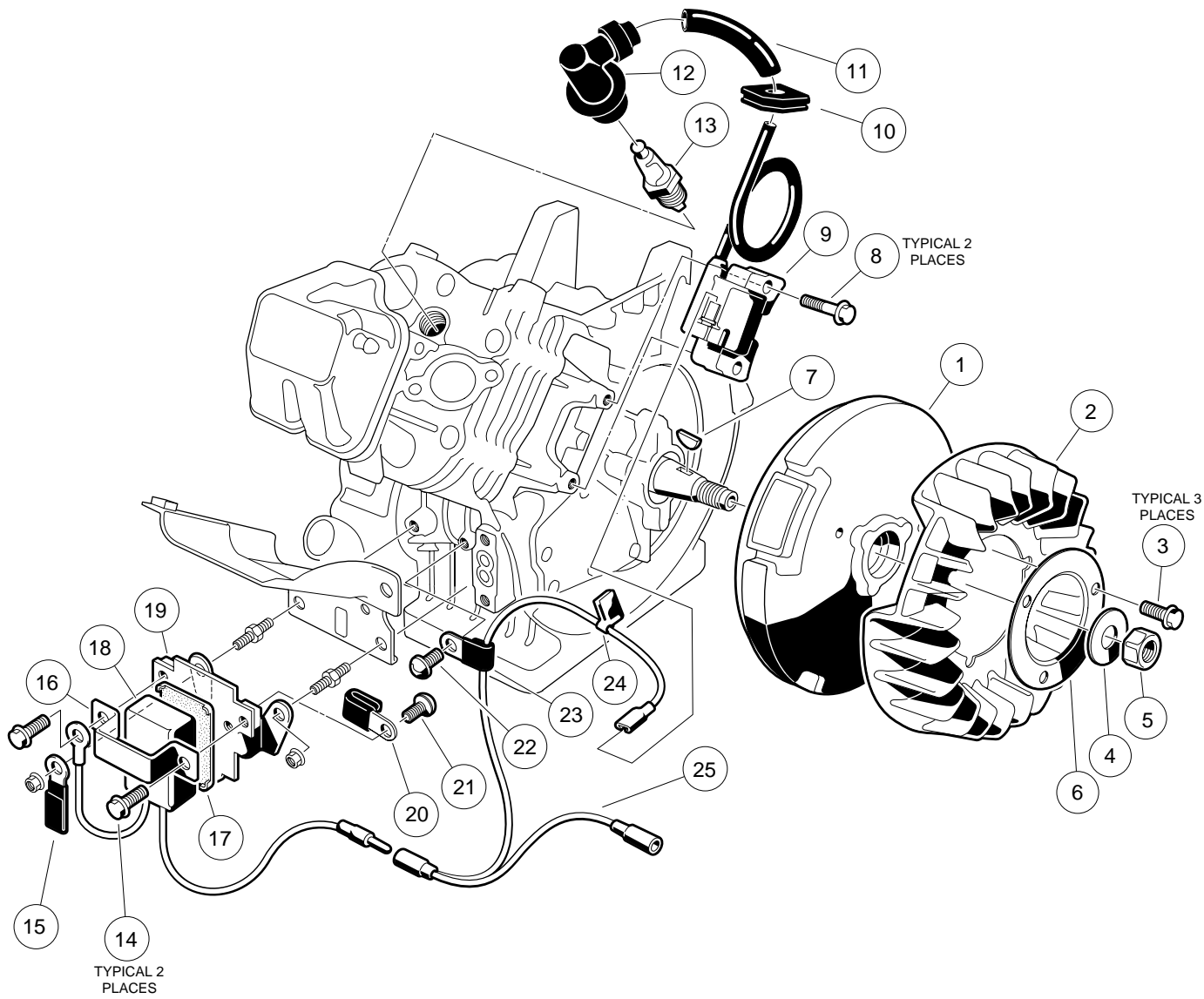
G



FE 290 ENGINE— SHROUDS AND BRACKETS

ITEM	PART NO.	DESCRIPTION	QTY
		1 2 3 4	
	101953901	FE290 OHV GASOLINE ENGINE (CLOCKWISE ROTATION) WITH CARBURETOR (DOES NOT INCLUDE ITEMS 15 THROUGH 18)	1
1	1016507	BOLT, 2-ENDED, M6 x 1 x 29MM	1
2	1016512	WASHER, FLAT, 6MM	1
3	1016524	SHROUD, ENGINE, FE290	1
4	1016456	BOLT, FLANGED, M6 x 1 x 12MM	15
5	1016547	NUT, FLANGE, M6 x 1	3
6	101909701	BOLT, 2-ENDED, M6 x 1 x 27MM	2
7	1016526	SHROUD, ENGINE, FE290 (LOWER)	1
8	1017221	BOLT, 2-ENDED, M6 x 1 x 46MM	1
9	101915601	HOUSING, FAN	1
10	1016525	SHROUD, ENGINE, FE290 (UPPER)	1
11	1016443	BRACKET	1
12	1016539	O-RING	1
13	1016536	TUBE, OIL FILLER, FE290	1
14	1016531	DIPSTICK	1
15	101887601	NUT, NYLON LOCK, M6 x1	1
16	1015332	WIRE ASSEMBLY, #10 BRAIDED GROUND	1
17	1015969	SCREW, PAN HEAD, M6 x 1 x 14MM	4
18	1015649	SHROUD, FAN	1

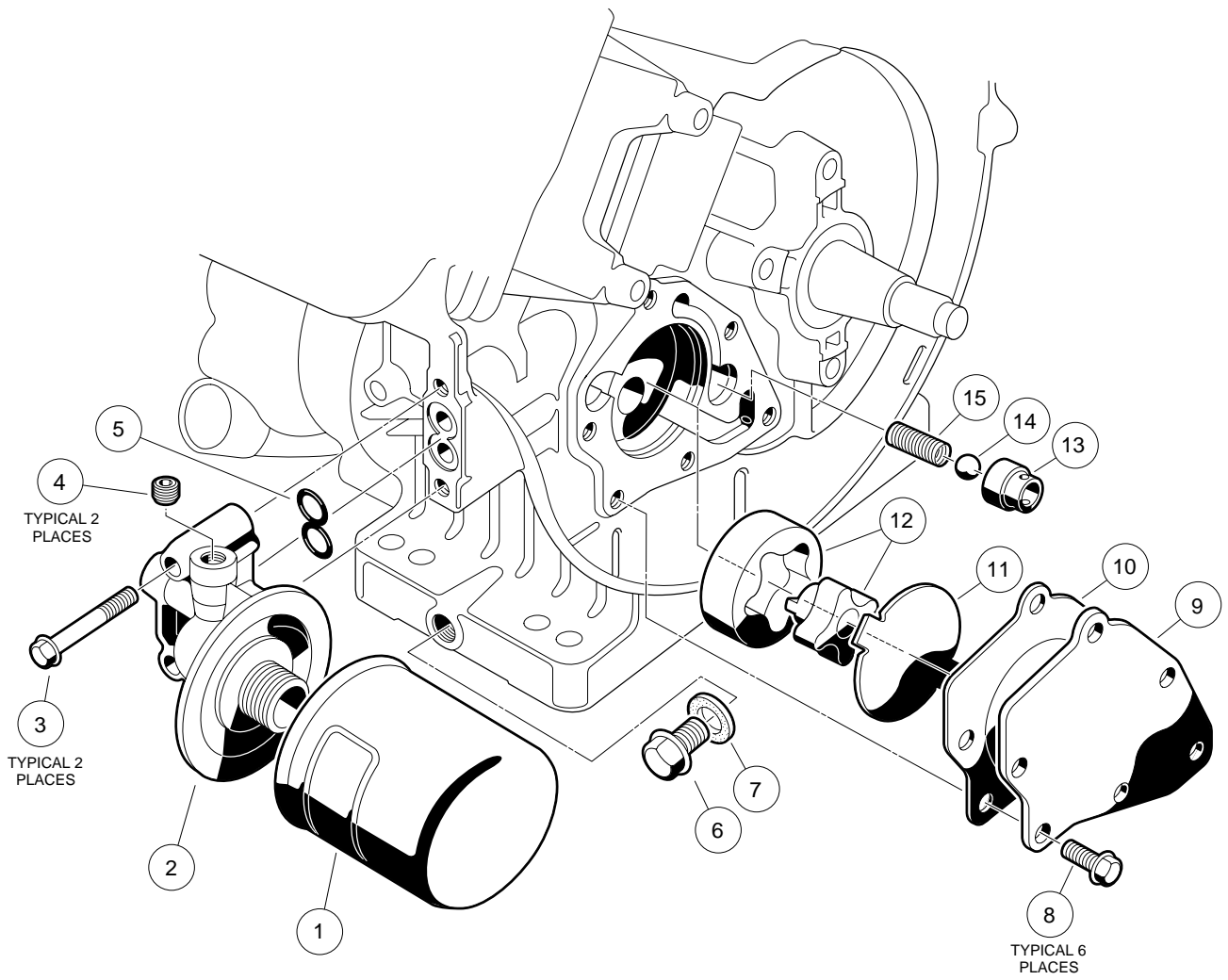
7
G



FE 290 ENGINE— IGNITION COMPONENTS AND FLYWHEEL

ITEM	PART NO.	DESCRIPTION	QTY
		1 2 3 4	
1	101915701	FLYWHEEL	1
2	101915801	FAN, FLYWHEEL, GRAY	1
3	1017448	SCREW, FLANGED HEX HEAD, M6 x 1 x 10MM	3
4	1016548	WASHER, FLAT, 16MM	1
5	1016505	NUT, HEX, M16 x 1.5	1
6	1017455	PLATE, FLYWHEEL FAN	1
7	1016562	KEY	1
8	1016455	BOLT, FLANGED, M5 x.8 x 25MM	2
9	101909201	COIL, IGNITION (WITH INTERNAL IGNITER)	1
10	1016578	GROMMET	1
11	1016588	TUBE, 7MM x 70MM	1
12	1016493	ASSEMBLY, PLUG CAP	1
13	101881101	PLUG, SPARK, OHV	1
14	1016456	BOLT, FLANGED, M6 x 1 x 12MM	2
15	1012981	CLAMP	1
16	1016579	BAND, RPM LIMITER MOUNT	1
17	1016586	DAMPER, RPM LIMITER	1
18	101909401	LIMITER, RPM-OHV	1
19	1016445	BRACKET, RPM LIMITER	1
20	101909501	CLAMP	1
21	1016497	SCREW, CROSS PAN HEAD, M5 x.8 x 8MM	1
22	1016544	SCREW, CROSS PAN HEAD SELF-TAPPING, M5 x.8 x 12MM	1
23	1016561	CLAMP	1
24	1016587	CLAMP	1
25	101909301	WIRE, LEAD	1

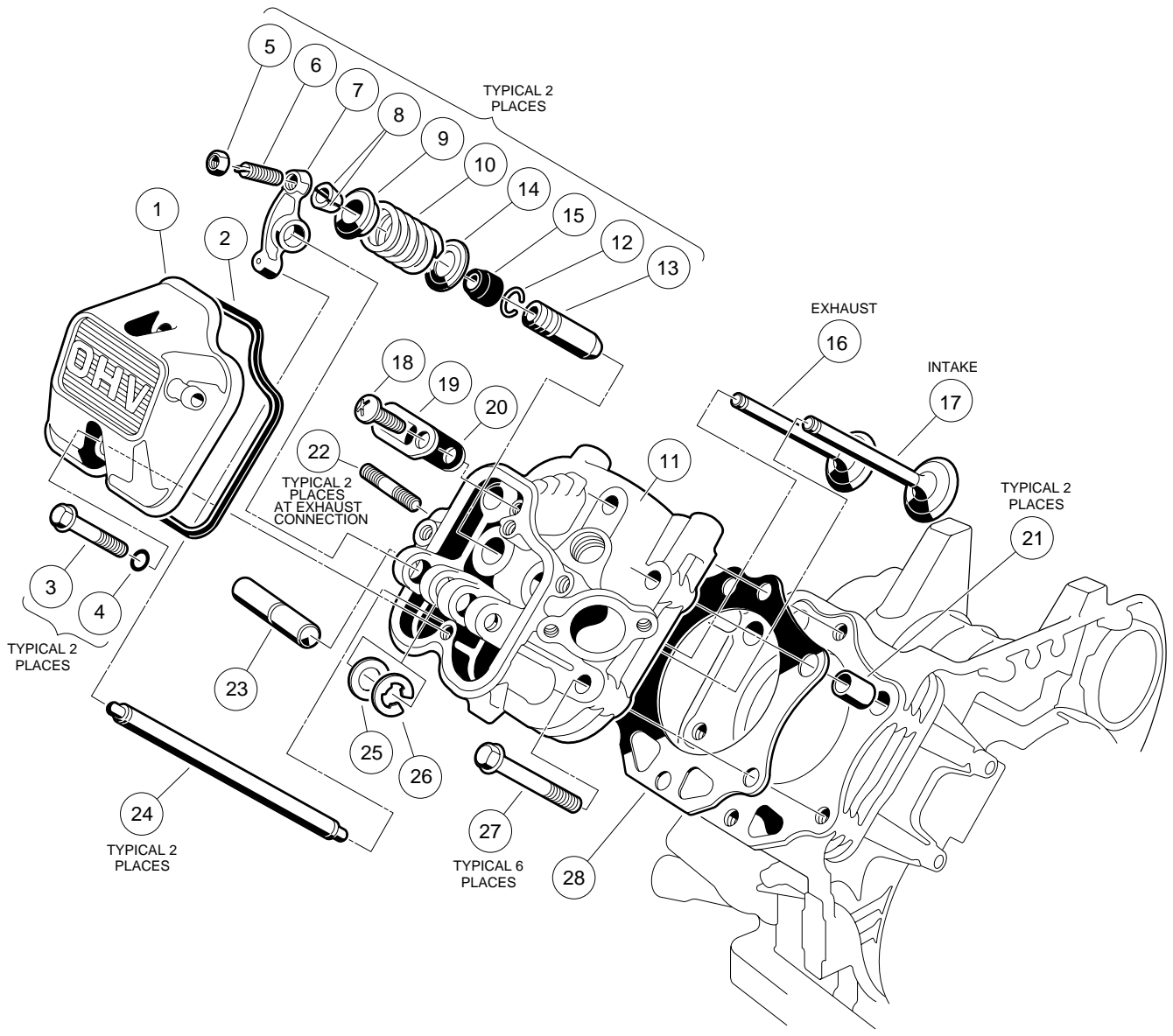
7
G



FE 290 ENGINE— OIL CIRCULATION

ITEM	PART NO.	DESCRIPTION	QTY
		1 2 3 4	
1	1016467	ASSEMBLY, OIL FILTER, OHV	1
2	1016502	BRACKET, OIL FILTER	1
3	1016457	BOLT, FLANGED HEX HEAD, M6 x 1 x 40MM	2
4	1017507	PLUG	2
5	1016570	O-RING, OIL FILTER MOUNT	1
6	1016576	PLUG, DRAIN, FE290	1
7	1016432	GASKET, DRAIN PLUG	1
8	1017456	SCREW, FLANGED HEX HEAD, M6 x 1 x 12MM	6
9	1016484	COVER, PUMP	1
10	1016435	GASKET, OIL PUMP	1
11	1016473	PLATE, OIL PUMP	1
12	101648203	PUMP, OIL, AND ROTOR	1
13	1016429	SEAT, VALVE	1
14	1016537	BALL, STEEL, PRESSURE RELIEF	1
15	1016581	SPRING	1

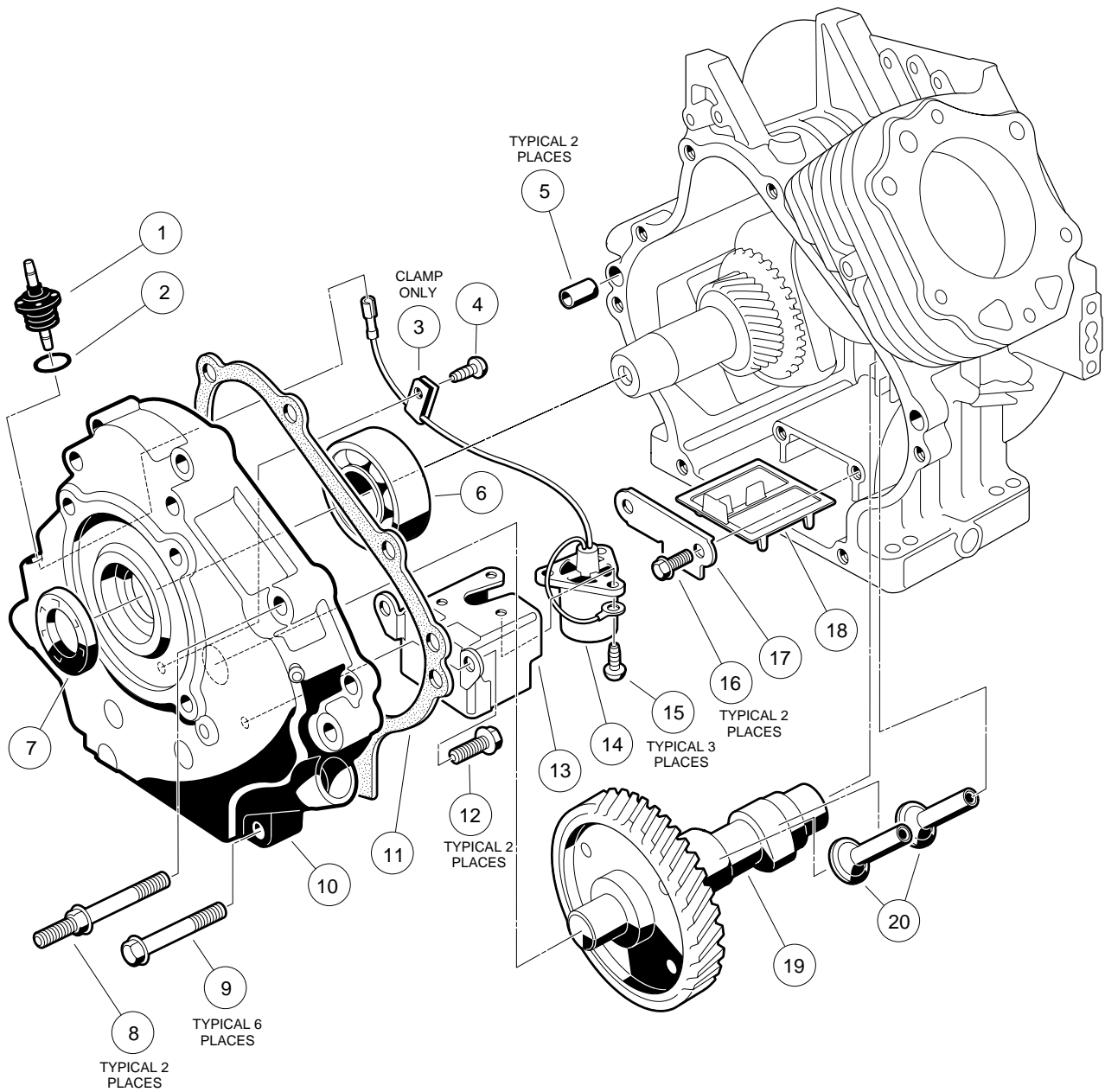
7
G



FE 290 ENGINE— CYLINDER HEAD

ITEM	PART NO.	DESCRIPTION	QTY
		1 2 3 4	
1	1016442	CASE, ROCKER	1
2	1016436	GASKET, ROCKER CASE	1
3	1016583	BOLT, FLANGED, M6 x 1 x 35MM	2
4	1016569	O-RING	2
5	1016545	NUT, HEX, M5 x .8	2
6	1016542	SCREW, STUD, M5 x .8	2
7	1016451	ARM, ROCKER	2
8	1016450	COLLET	4
9	1016449	RETAINER, VALVE SPRING	2
10	1016523	SPRING, ENGINE VALVE	2
11	1016431	ASSEMBLY, CYLINDER HEAD, OHV (INCLUDES ITEMS 12 AND 13)	1
12	1016560	RING, SNAP	2
13	1016519	GUIDE, VALVE	2
14	1016479	SEAT, SPRING	2
15	1016566	SEAL, VALVE	2
16	1016448	VALVE, EXHAUST	1
17	1016447	VALVE, INTAKE	1
18	1016544	SCREW, CROSS PAN HEAD SELF-TAPPING, M5 x .8 x 12MM	1
19	1016474	PLATE	1
20	1016483	VALVE	1
21	1016563	PIN	2
22	1016489	BOLT, STUD, M8 x 1.25 x 29MM	2
23	1016452	SHAFT, ROCKER	1
24	1016471	ROD, PUSH	2
25	1016549	WASHER, FLAT, M12	1
26	1016517	CIRCLIP, TYPE E	1
27	1016458	BOLT, FLANGED, M8 x 1.25 x 45MM	6
28	1016430	GASKET, HEAD	1

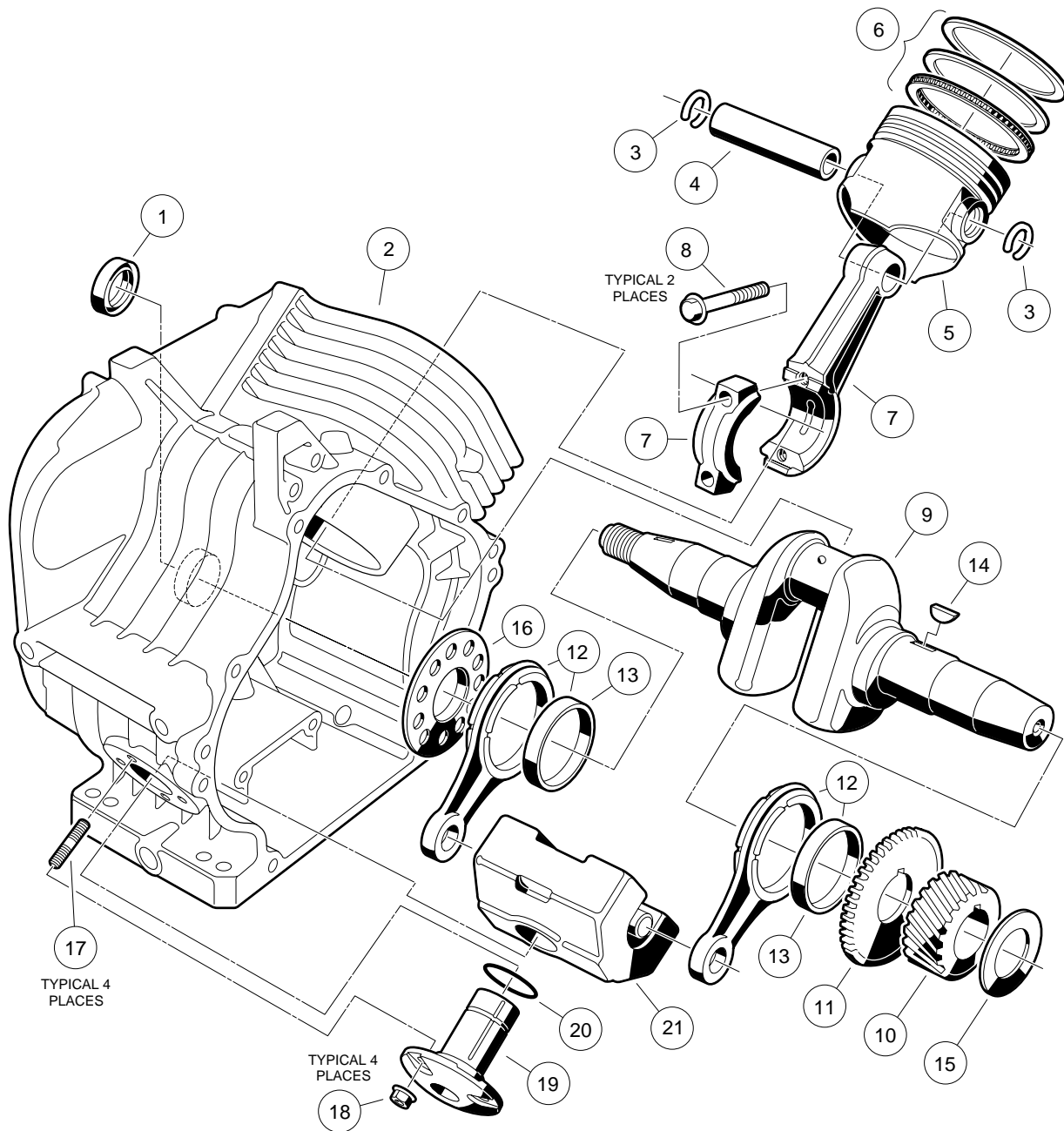
7
G



FE 290 ENGINE— CRANKCASE, CAMSHAFT AND OIL SENSOR

ITEM	PART NO.	DESCRIPTION	QTY
		1 2 3 4	
1	1016535	CONNECTOR, CORD	1
2	1016538	O-RING	1
3	1016506	CLAMP	1
4	1016544	SCREW, CROSS PAN HEAD SELF-TAPPING, M5 x.8 x 12MM	1
5	1016564	PIN	2
6	1016565	BEARING, BALL	1
7	1016567	SEAL, CRANKSHAFT	1
8	1016584	BOLT, 2-ENDED, M8 x 1.25 x 69MM	2
9	1016458	BOLT, FLANGED, M8 x 1.25 x 45MM	6
10	1016520	COVER, CRANKCASE	1
11	1016446	GASKET, CRANKCASE COVER	1
12	1016456	BOLT, FLANGED, M6 x 1 x 12MM	2
13	1016510	BRACKET, OIL LEVEL SWITCH	1
14	1016494	SENSOR, OIL LEVEL	1
15	1016496	SCREW, CROSS PAN HEAD, M4 x.7 x 8MM	3
16	1016454	BOLT, FLANGED, M5 x.8 x 8MM	2
17	1016472	PLATE, OIL FILTER SCREEN	1
18	1016521	SCREEN, OIL FILTER	1
19	101915401	CAMSHAFT, COMPLETE	1
20	1016453	TAPPET	2

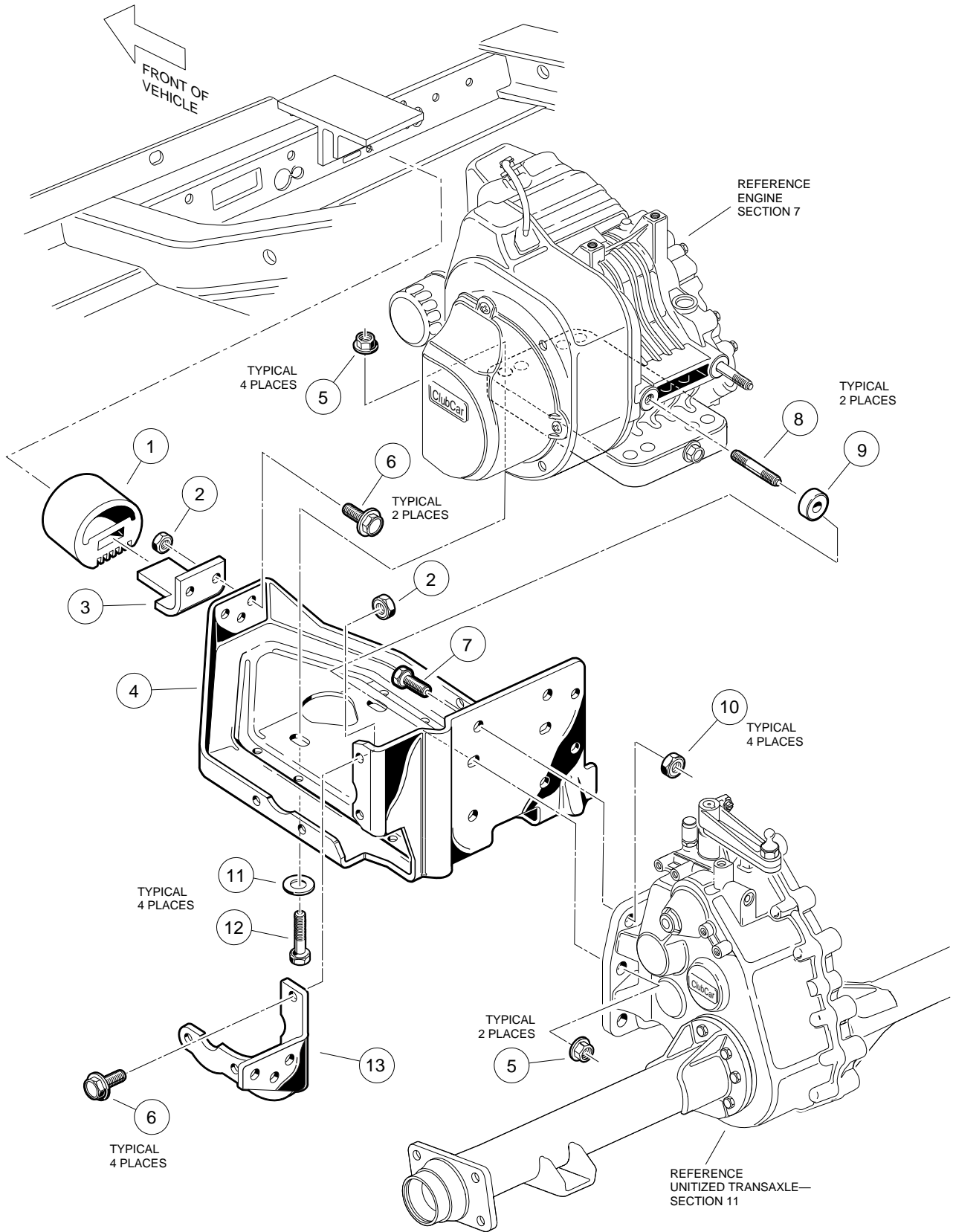
7
G



FE 290 ENGINE— CRANKCASE AND CRANKSHAFT

7
G

ITEM	PART NO.	DESCRIPTION	QTY
		1 2 3 4	
1	1016568	SEAL, OIL	1
2	101915501	CRANKCASE, COMPLETE, OHV	1
3	1016558	RING, SNAP	2
4	1016460	PIN, PISTON	1
5	101645901	PISTON, STANDARD	1
5	101645902	PISTON, .25MM OVERSIZED	1
5	101645903	PISTON, .50MM OVERSIZED	1
6	101646101	RING SET, PISTON, STANDARD	1
6	101646102	RING SET, PISTON, .25MM OVERSIZED	1
6	101646103	RING SET, PISTON, .50MM OVERSIZED	1
7	101647501	ASSEMBLY, CONNECTING ROD, STANDARD (INCLUDES 2 EACH OF ITEM 8)	1
7	101647502	ASSEMBLY, CONNECTING ROD, .50MM UNDERSIZED (INCLUDES 2 EACH OF ITEM 8)	1
8	1016509	SCREW, HEX HEAD CAP, M7 x 1 x 36MM	2
9	101922301	CRANKSHAFT, FE290 (LEFT-HAND THREAD) (INCLUDES ITEMS 10, 11 AND ONE EACH OF ITEM 12)	1
10	1016533	GEAR, HELICAL	1
11	1016532	GEAR, SPUR	1
12	1016516	ASSEMBLY, ROD (INCLUDES ONE EACH OF ITEM 13)	2
13	1016580	BEARING, PLAIN	2
14	1016562	KEY	1
15	101655001	SHIM, CRANKSHAFT, 1.13MM THICK	A/R
15	101655002	SHIM, CRANKSHAFT, 1.18MM THICK	A/R
15	101655003	SHIM, CRANKSHAFT, 1.23MM THICK	A/R
15	101655004	SHIM, CRANKSHAFT, 1.28MM THICK	A/R
15	101655005	SHIM, CRANKSHAFT, 1.33MM THICK	A/R
15	101655006	SHIM, CRANKSHAFT, 1.38MM THICK	A/R
15	101655007	SHIM, CRANKSHAFT, 1.43MM THICK	A/R
15	101655008	SHIM, CRANKSHAFT, 1.48MM THICK	A/R
15	101655009	SHIM, CRANKSHAFT, 1.53MM THICK	A/R
16	1016559	SPACER	1
17	1016541	BOLT, STUD, M6 x 1 x 22MM	4
18	1016547	NUT, FLANGED, M6 x 1	4
19	1016470	SHAFT, GUIDE COUNTERBALANCE	1
20	1016571	O-RING	1
21	1016469	WEIGHT, COUNTERBALANCE	1



ENGINE MOUNTING

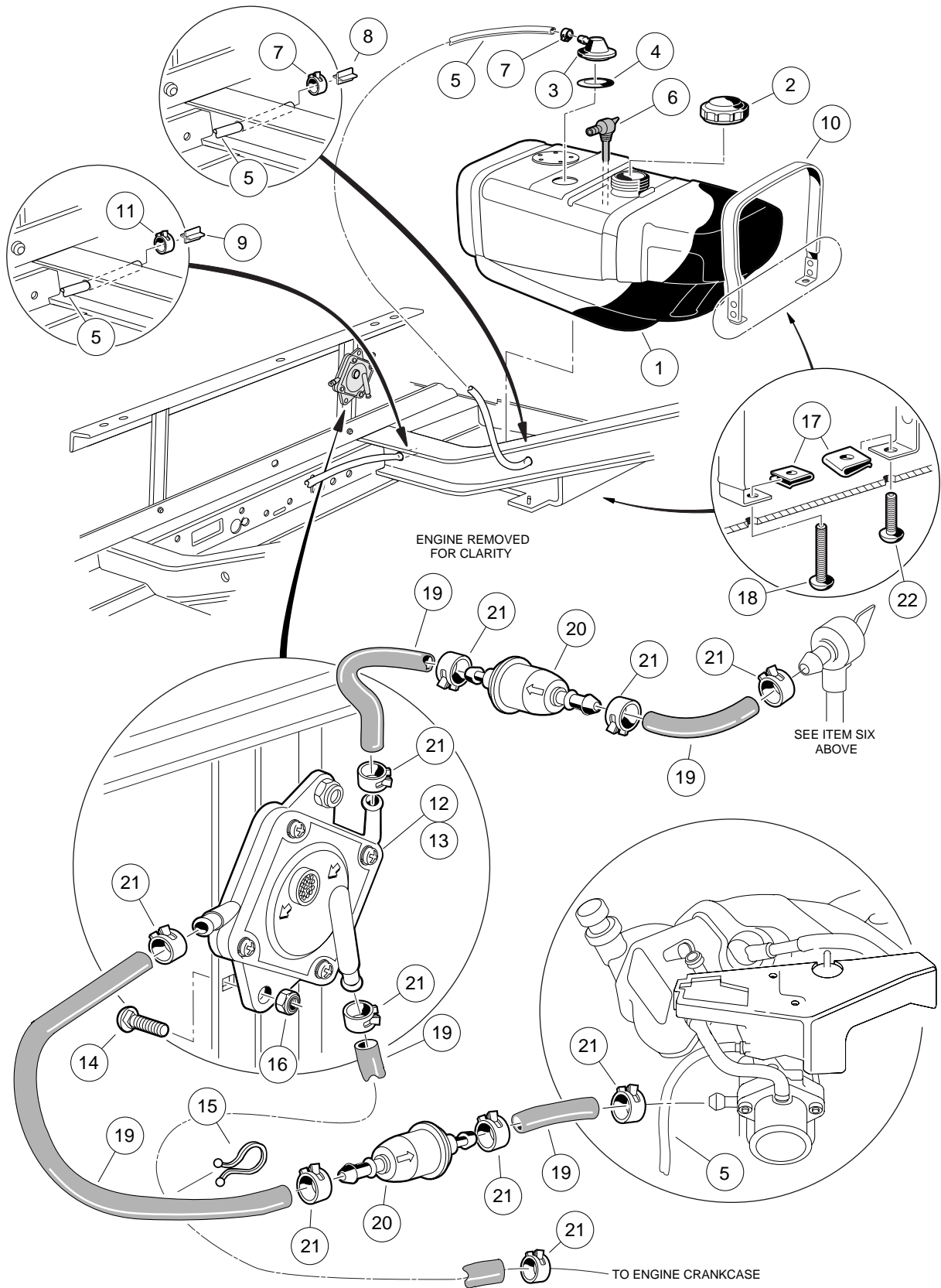
7
G

ITEM	PART NO.	DESCRIPTION	QTY
		1 2 3 4	
1	1012164	SNUBBER	1
2	1013924	NUT, HEX LOCK, 5/16 - 24, UNF	6
3	101834601	BRACKET, SNUBBER	1
4	101827101	PLATE, MOUNTING	1
5	101833001	NUT, FLANGE, M8 x 1.25	6
6	101884801	SCREW, HEX WASHER, 5/16 -24 x 7/8	6
7	101833301	SCREW, HEX HEAD CAP, M10 x 1.25 x 30MM	4
8	101833201	STUD, M8 x 1.25 x 60MM	2
9	101832101	SPACER	2
10	101832901	NUT, FLANGE, M10 x 1.25	4
11	1012571	WASHER, HEAVY FLAT, 5/16	4
12	101855901	SCREW, HEX HEAD CAP, M8 x 1.25 x 43MM	4
13	101832701	STIFFENER, FLYWHEEL SIDE	1

FUEL, INTAKE, AND GOVERNOR SYSTEMS

8

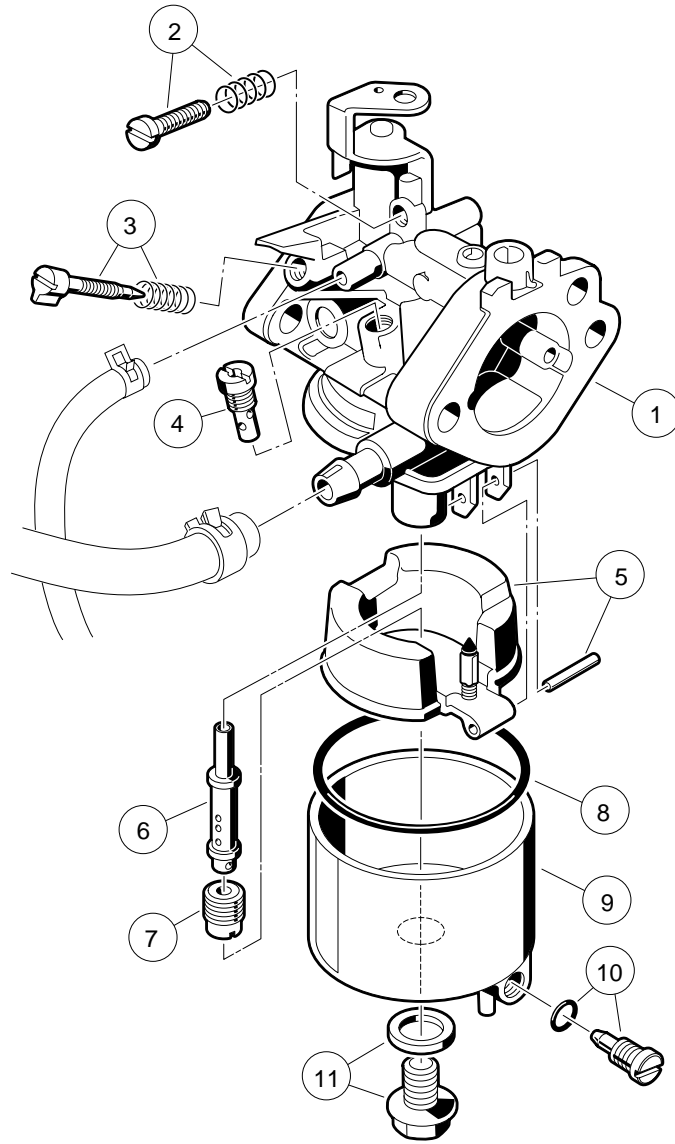
G



FUEL SYSTEM

8
G

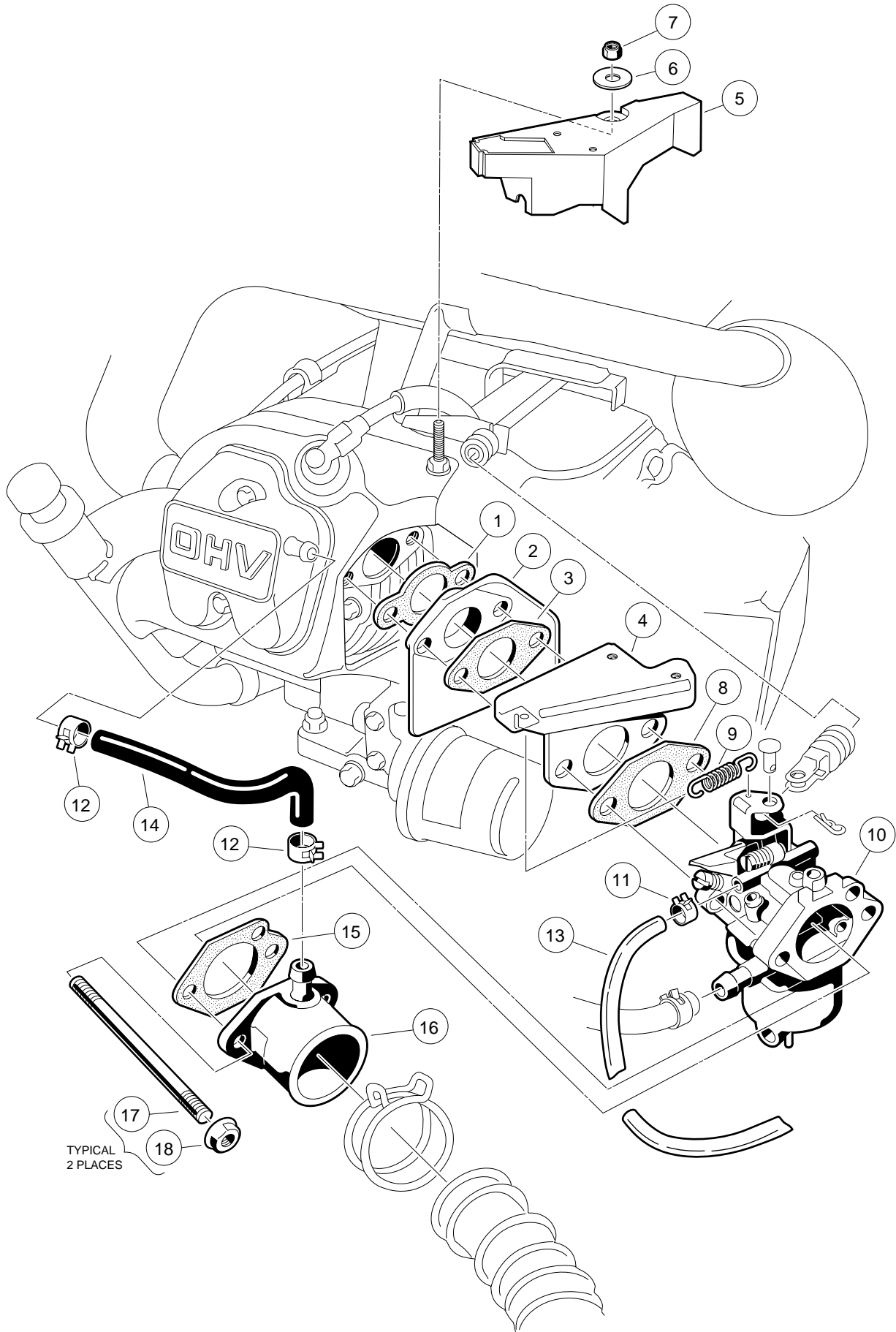
ITEM	PART NO.	DESCRIPTION	QTY
		1 2 3 4	
1	1016003	KIT, FUEL TANK, (INCLUDES ITEMS 2 - 8)	1
2	1015188	CAP, FUEL TANK, NONVENTED	1
3	1015143	ASSEMBLY, FUEL TANK VENT	1
4	1015139	GROMMET, INSULATION	1
5	1015137	LINE, BULK VENT (AVAILABLE BY THE FOOT)	A/R
6	101896901	VALVE, FUEL PICKUP TUBE WITH SHUT-OFF	1
7	1013746	CLAMP, HOSE	2
8	101824401	BARB, VENT	1
9	101824401	BARB, VENT	1
10	1014928	ASSEMBLY, REAR FUEL STRAP	1
11	1013746	CLAMP, HOSE	2
12	1014523	PUMP, FUEL IMPULSE	1
13	1014524	REBUILD KIT, FUEL IMPULSE PUMP	1
14	1017203	BOLT, ROUND-HEAD SQUARE-NECK, 1/4 - 20 x 1	2
15	101987701	CLAMP, PLASTIC	1
16	8233	NUT, NYLON LOCK, 1/4 - 20	2
17	1014116	NUT, U-TYPE SPEED, 1/4 - 20	2
18	1011988	SCREW, PHILLIPS TRUSS HEAD, 1/4 - 20 x 2	1
19	1013692	LINE, BULK FUEL (GRAY)	A/R*
20	102003201	FILTER, FUEL	2
21	1012649	CLAMP, HOSE (RED)	10
22	8248	SCREW, PHILLIPS TRUSS HEAD, 1/4 - 20 x 3/4	1
<p>* THE TOTAL FUEL LINE LENGTH FOR THE DS GOLF CAR IS 47 INCHES.</p>			



CARBURETOR ASSEMBLY

ITEM	PART NO.	DESCRIPTION	QTY
		1 2 3 4	
1	101905601	ASSEMBLY, CARBURETOR (INCLUDES ITEMS 2 - 11)	1
2	1016501	ASSEMBLY, IDLE SCREW	1
3	N/A	ASSEMBLY, PILOT AIR SCREW	1
4	101973101	JET, PILOT, #40	1
5	1016486	ASSEMBLY, FLOAT	1
6	101973201	NOZZLE, MAIN	1
		STANDARD JETTING:	
7	101642582	JET, MAIN, 0 - 3,000 FEET	1
7	101642580	JET, MAIN, 3,000 - 5,000 FEET	A/R
7	101642578	JET, MAIN, 5,000 - 8,000 FEET	A/R
7	101642575	JET, MAIN, 8,000 - 10,000 FEET	A/R
7	101642572	JET, MAIN, 10,000 FEET AND ABOVE	A/R
8	1016437	GASKET, FLOAT CHAMBER	1
9	1017461	ASSEMBLY, FLOAT CHAMBER (INCLUDES ITEM 10)	1
10	1016499	ASSEMBLY, SCREW	1
11	1016585	ASSEMBLY, BOLT	1

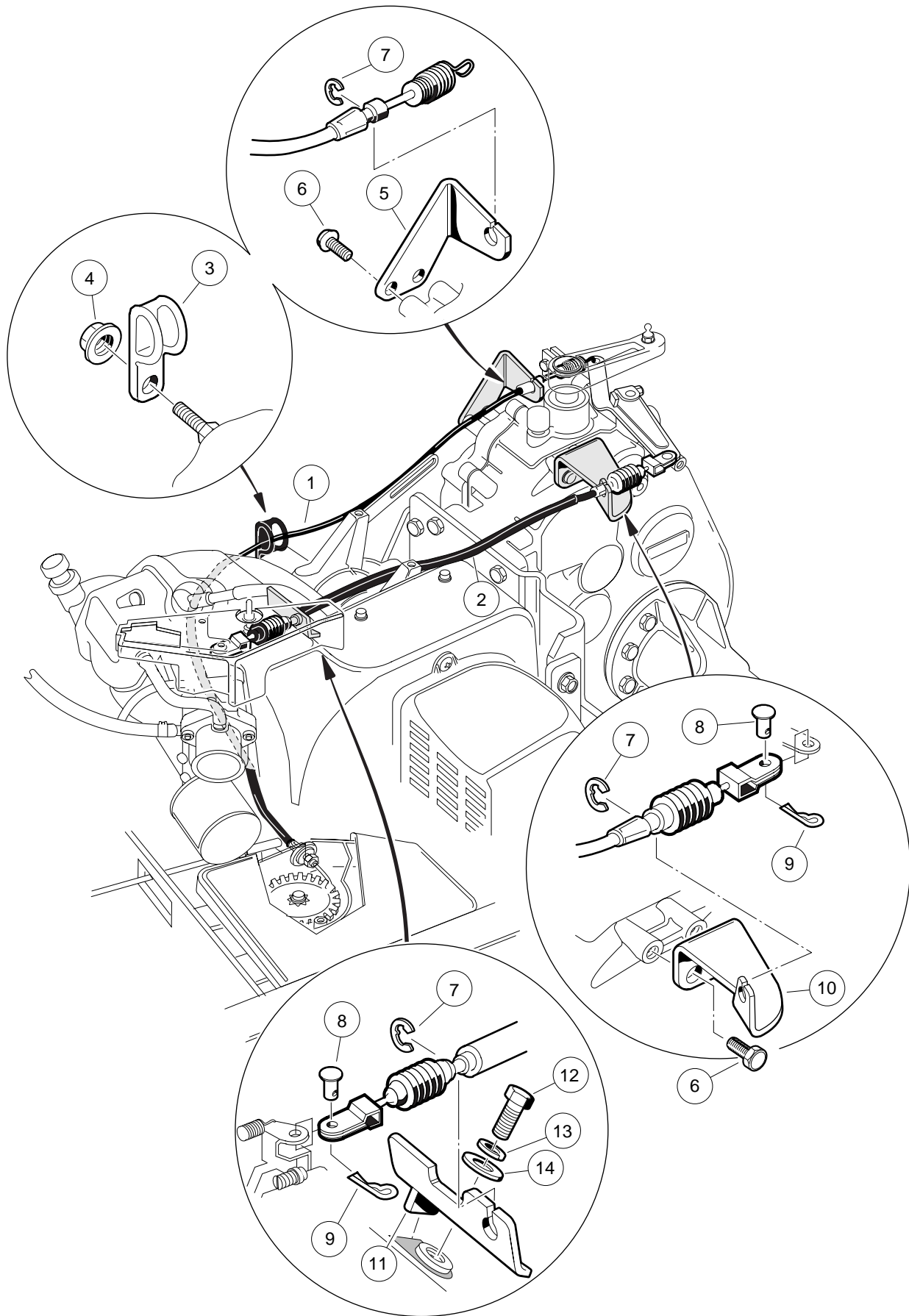
8
G



CARBURETOR INSTALLATION

8
G

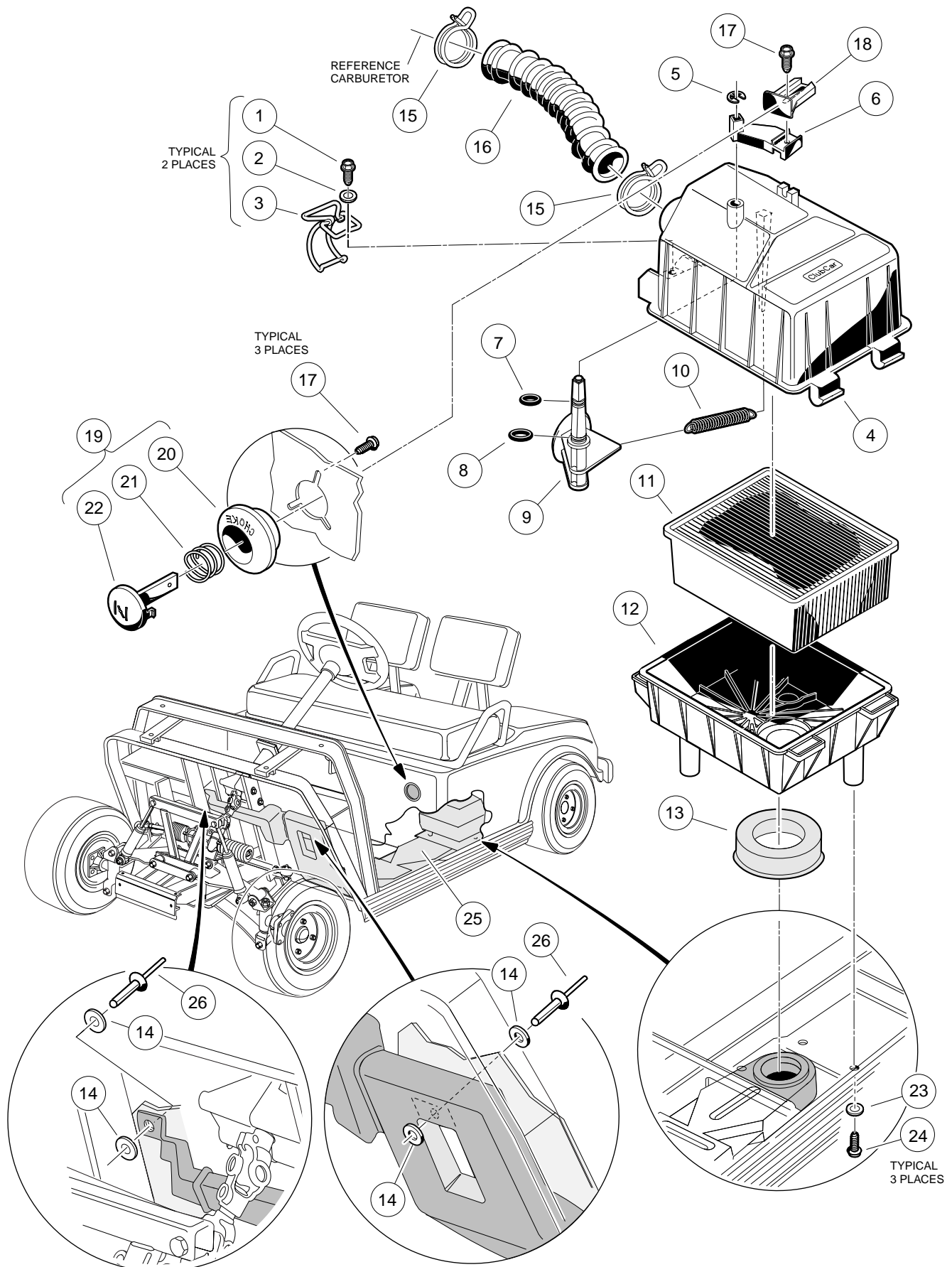
ITEM	PART NO.	DESCRIPTION	QTY
		1 2 3 4	
1	1016440	GASKET, INSULATOR	1
2	101648102	INSULATOR, CARBURETOR	1
3	1016439	GASKET, CARBURETOR INSULATOR TO THROTTLE BRACKET	1
4	1016444	BRACKET, THROTTLE	1
5	101820201	GUARD, GOVERNOR	1
6	1011697	WASHER, FLAT, 5/16	1
7	101887601	NUT, NYLON LOCK, M6 x 1	1
8	1016441	GASKET, THROTTLE BRACKET TO CARBURETOR	1
9	1016582	SPRING, THROTTLE RETURN	1
10	101905601	ASSEMBLY, CARBURETOR	1
11	1013746	CLAMP, HOSE (GRAY)	1
12	1017466	CLAMP, HOSE (BRONZE)	2
13	1015137	LINE, BULK VENT	A/R
14	1016572	TUBE, CRANKCASE VENT	1
15	1016438	GASKET, CARBURETOR TO INTAKE MANIFOLD	1
16	1016480	PIPE, INTAKE	1
17	101649002	SCREW, 2-ENDED STUD, M6 x 1 x 90MM	2
18	1016547	NUT, FLANGED, M6 x 1	2



GOVERNOR AND ACCELERATOR CABLES

ITEM	PART NO.	DESCRIPTION	QTY
		1 2 3 4	
1	101832501	CABLE, ACCELERATOR	1
2	101832401	CABLE, GOVERNOR	1
3	1013700	CLAMP, CABLE RETAINING	2
4	1016546	NUT, FLANGED HEX, M8 x 1.25	2
5	101832301	BRACKET, ACCELERATOR SUPPORT	1
6	1012285	SCREW, THREAD ROLLING, 1/4 - 20 x 5/8	4
7	1016202	E-RING	3
8	1015408	PIN, GOVERNOR CABLE CLEVIS	2
9	1014413	PIN, HAIR SPRING COTTER, 1/8 I.D. x 5/8	2
10	101832201	BRACKET, SUPPORT	1
11	1015845	BRACKET, GOVERNOR CABLE ENGINE	1
12	101903501	SCREW, HEX HEAD CAP, M8 x 1.25 x 24 MM	1
13	7174	WASHER, LOCK, 5/16	1
14	1011697	WASHER, FLAT, 5/16	1

8
G



INTAKE DUCT, CHOKE, AND AIR BOX ASSEMBLY

ITEM	PART NO.	DESCRIPTION	QTY
		1 2 3 4	
	101821501	ASSEMBLY, AIR BOX (INCLUDES ITEMS 1 - 13)	1
1	101804301	SCREW, HI-LO HEX HEAD, #8 - 1/2	2
2	101881701	WASHER, STAINLESS STEEL, #8	2
3	101925701	LATCH, WIRE	2
4	101972801	ASSEMBLY, AIR BOX TOP (INCLUDES ITEMS 5 - 10)	1
5	101813001	E-CLIP	1
6	101917601	LEVER, CHOKE	1
7	N/A	O-RING, 5/16 (RED)	1
8	N/A	O-RING, 3/8 (GREEN)	1
9	N/A	VALVE, CHOKE	1
10	101812301	SPRING, RETURN	1
11	1015426	FILTER, AIR	1
12	101811901	BOTTOM, AIR BOX	1
13	101921501	SEAL, INTAKE	1
14	183	WASHER, FLAT, #10	4
15	101971301	CLAMP, HOSE (AIR INTAKE)	2
16	101837101	HOSE, INTAKE	1
17	101850301	SCREW, HI-LO, #12 x 1/2	4
18	101917701	POSITIONER, CHOKE	1
19	101805701	ASSEMBLY, CHOKE BUTTON (INCLUDES ITEMS 20, 21 AND 22)	1
20	101811501	GUIDE, CHOKE LEVER	1
21	101856201	SPRING, COMPRESSION	1
22	101811401	LEVER, CHOKE	1
23	332	WASHER, FLAT, 1/4	3
24	1015752	SCREW, HI-LO, #12 - 16 x 5/8	3
25	101958101	ASSEMBLY, AIR DUCT	1
26	1606	RIVET, POP, 3/16	2
	101971001	AIR DUCT REPAIR KIT (NOT SHOWN)	A/R

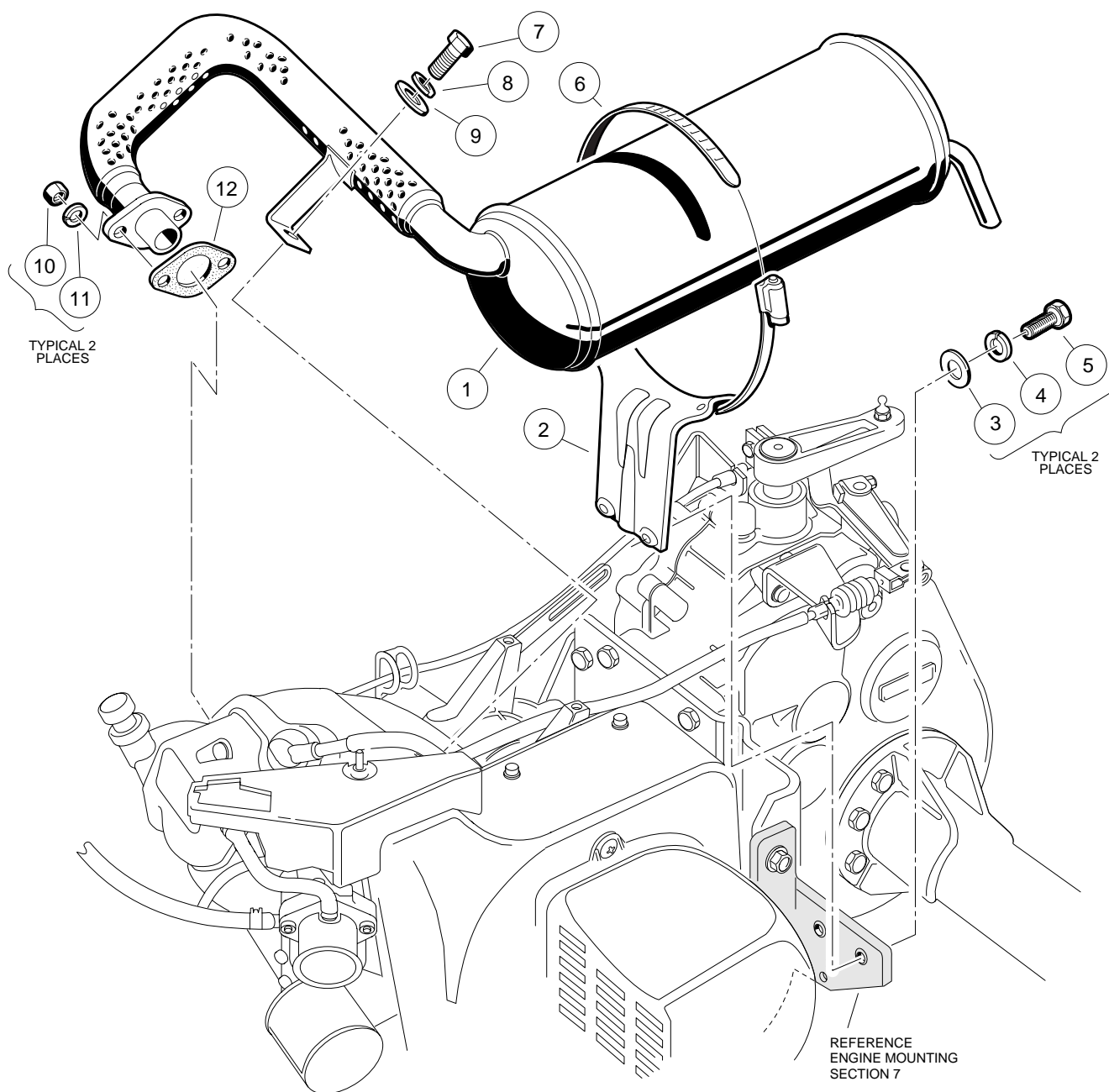
8

G

EXHAUST SYSTEM

9

G



EXHAUST SYSTEM

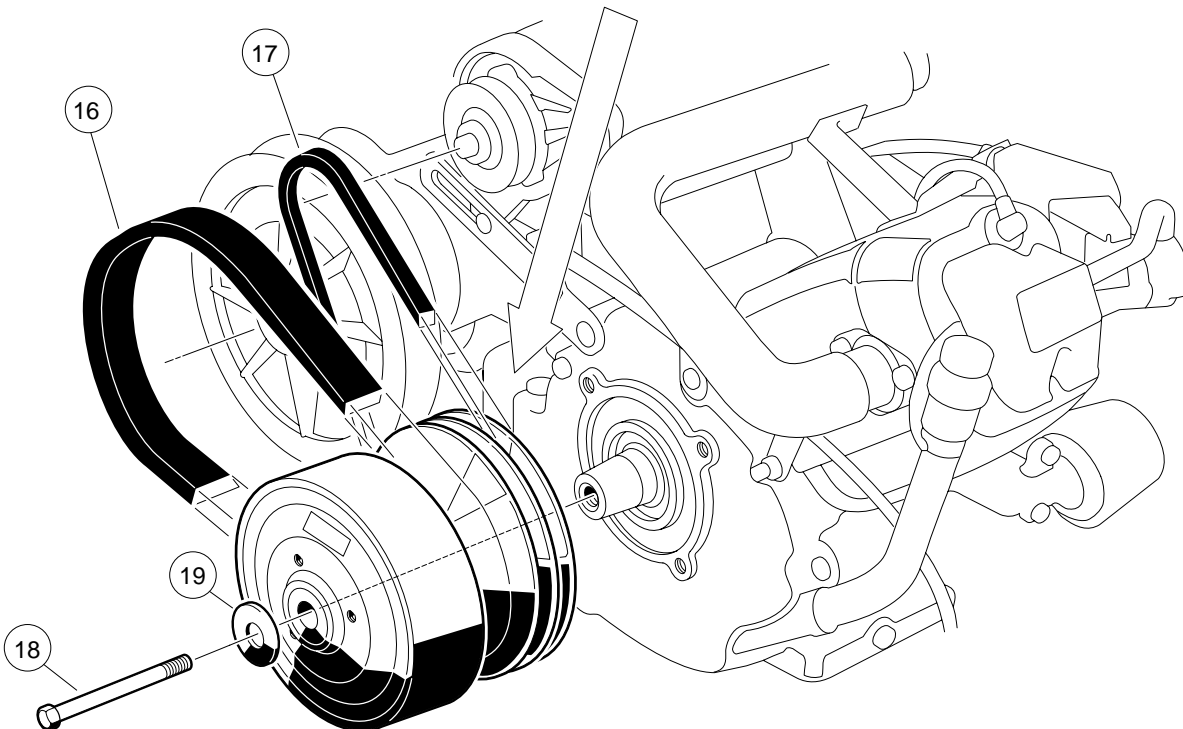
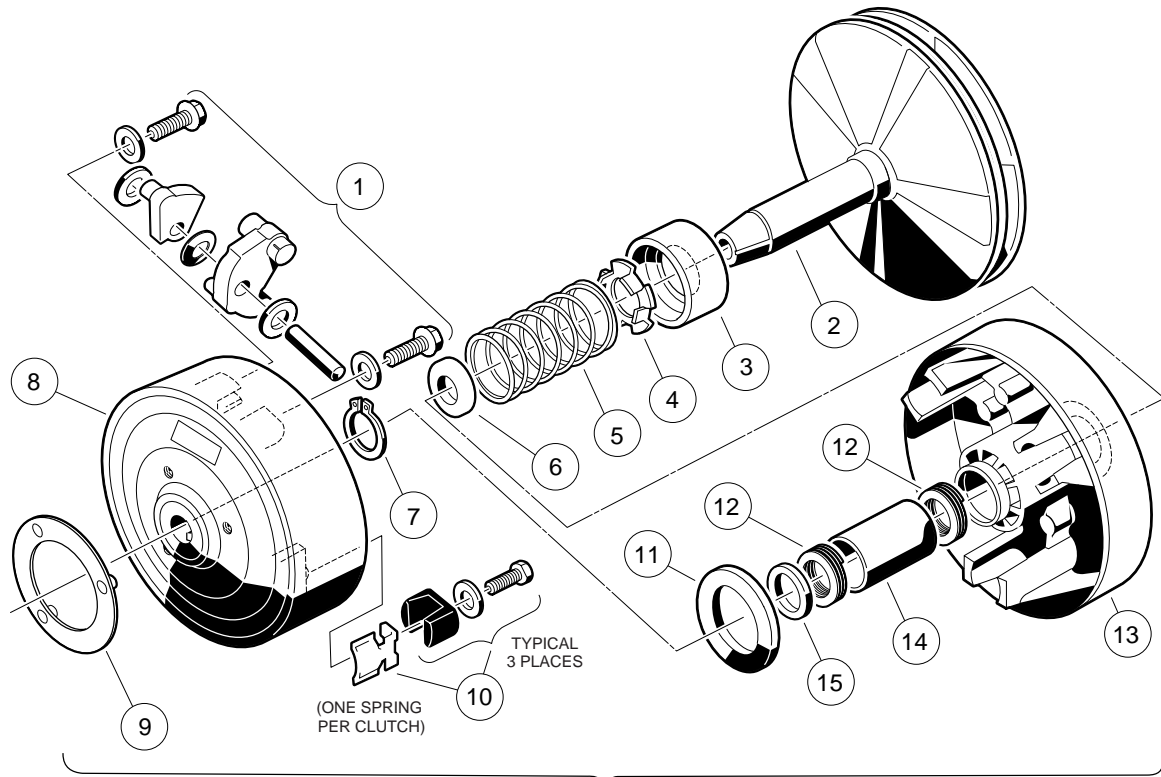
ITEM	PART NO.	DESCRIPTION	QTY
		1 2 3 4	
1	101859301	SYSTEM, EXHAUST	1
2	1015814	BRACKET, MUFFLER MOUNTING	1
3	332	WASHER, FLAT, 1/4	2
4	451	WASHER, LOCK, 1/4	2
5	7847	SCREW, HEX HEAD, 1/4 - 20 x 3/4	2
6	1017689	CLAMP, MUFFLER	1
7	1012830	SCREW, HEX HEAD CAP, M8 x 1.25 x 22MM	1
8	7174	WASHER, LOCK, 5/16	1
9	1015075	WASHER, FLAT, 5/16	1
10	1012528	NUT, HEX, M8 x 1.25	2
11	1013734	WASHER, LOCK, 8MM	2
12	1015330	GASKET, EXHAUST	1

9
G

TORQUE CONVERTER

10

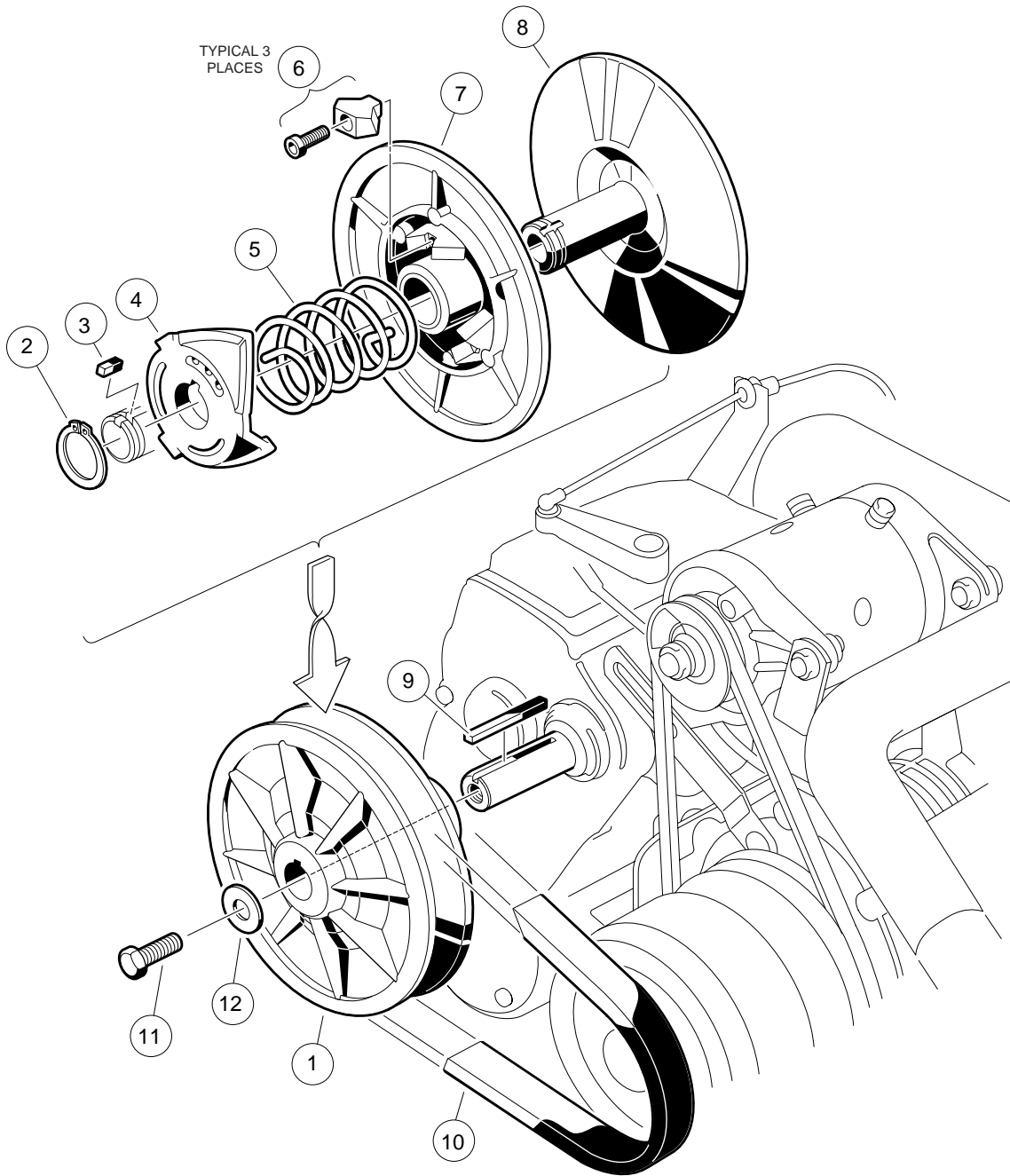
G



DRIVE CLUTCH

ITEM	PART NO.	DESCRIPTION	QTY
		1 2 3 4	
	101833902	ASSEMBLY, DRIVE CLUTCH (INCLUDES ITEMS 1 - 15)	1
1	1016801	KIT, DRIVE CLUTCH WEIGHT	1
2	101929801	ASSEMBLY, FIXED FACE	1
3	1014049	BEARING, IDLER	1
4	1014050	RETAINER, SPRING.....	1
5	1014051	SPRING, DRIVE CLUTCH - BLACK	1
6	1016289	SPACER, FIXED FACE SHAFT	1
7	1014057	RING, RETAINING.....	1
8	1014059	ASSEMBLY, DRIVE HUB	1
9	101925601	PLUG, DRIVE CLUTCH	1
10	1014453	KIT, DRIVE CLUTCH BUTTON (INCLUDES ONE SPRING AND THREE EACH OF THE SCREW, WASHER, AND BUTTON)	1
11	1014058	WASHER, THRUST	1
12	1014056	RING, SPIRAL BACK-UP	2
13	1014052	ASSEMBLY, MOVEABLE FACE (INCLUDES ITEMS 14 AND 15).....	1
14	N/A	BUSHING	1
15	1014055	RETAINER	1
16	1016203	BELT, DRIVE	1
17	101916701	BELT, STARTER/GENERATOR	1
18	101916501	SCREW, HEX HEAD CAP, 3/8 - 24 x 5-1/2 (LEFT-HAND THREADS)	1
19	1017328	WASHER, MOUNTING—GREEN.....	1

10
G



DRIVEN CLUTCH

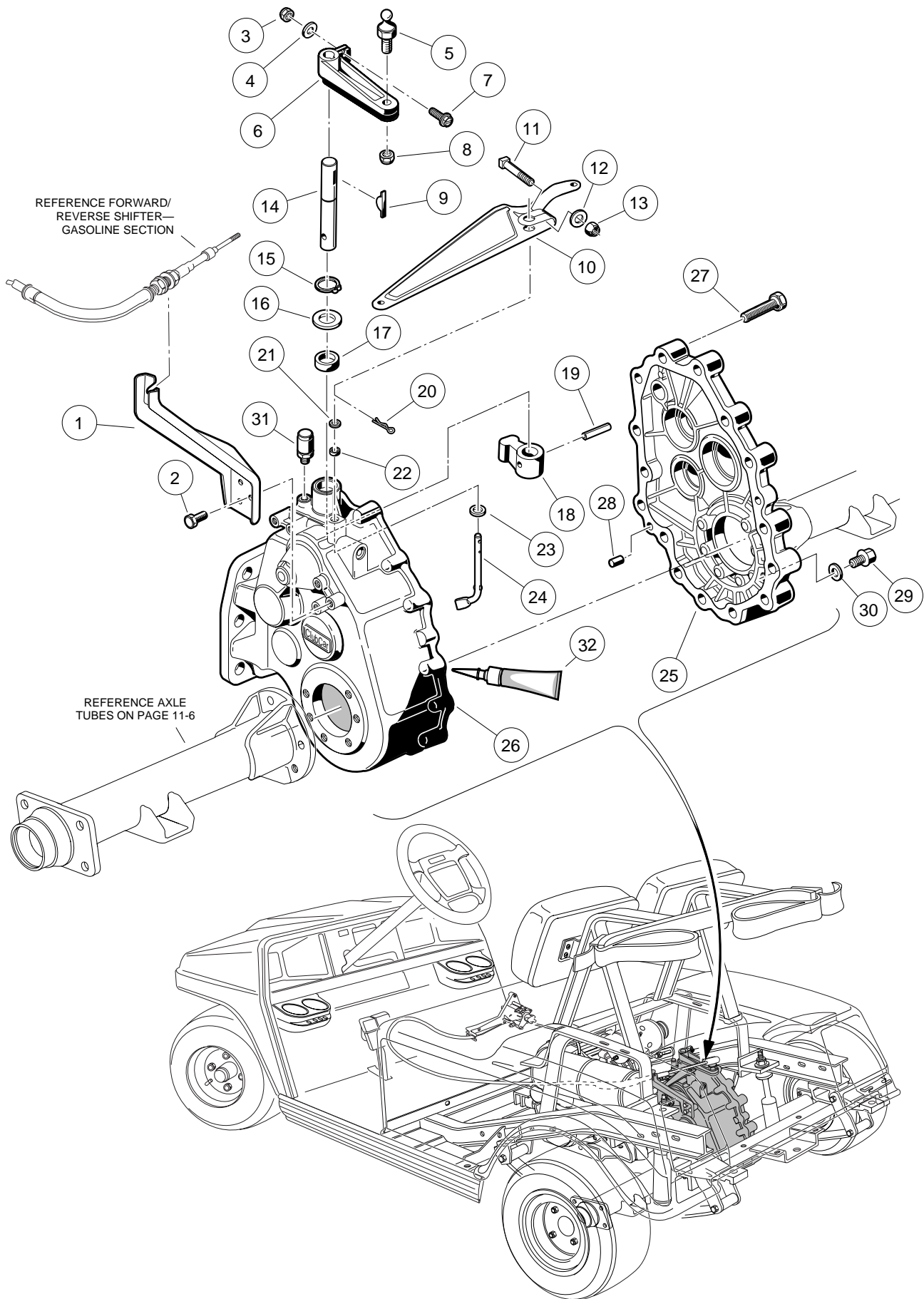
ITEM	PART NO.	DESCRIPTION	QTY
		1 2 3 4	
1	101834001	ASSEMBLY, DRIVEN CLUTCH (INCLUDES ITEMS 2 - 8)	1
2	1014080	RING, RETAINING	1
3	1014078	KEY	1
4	1017686	CAM	1
5	101836201	SPRING—GREEN	1
6	1014454	KIT, BUTTON (INCLUDES 3 SCREWS AND 3 BUTTONS)	1
7	1014072	ASSEMBLY, MOVEABLE FACE, WITH BUSHING	1
8	1014070	ASSEMBLY, FIXED FACE	1
9	101833401	KEY, SQUARE TRANSMISSION	1
10	1016203	BELT, DRIVE	1
11	7173	SCREW, HEX HEAD CAP, 5/16 - 18 x 3/4	1
12	1017327	WASHER, MOUNTING—YELLOW	1

10
G

UNITIZED TRANSAXLE— GASOLINE VEHICLE

11

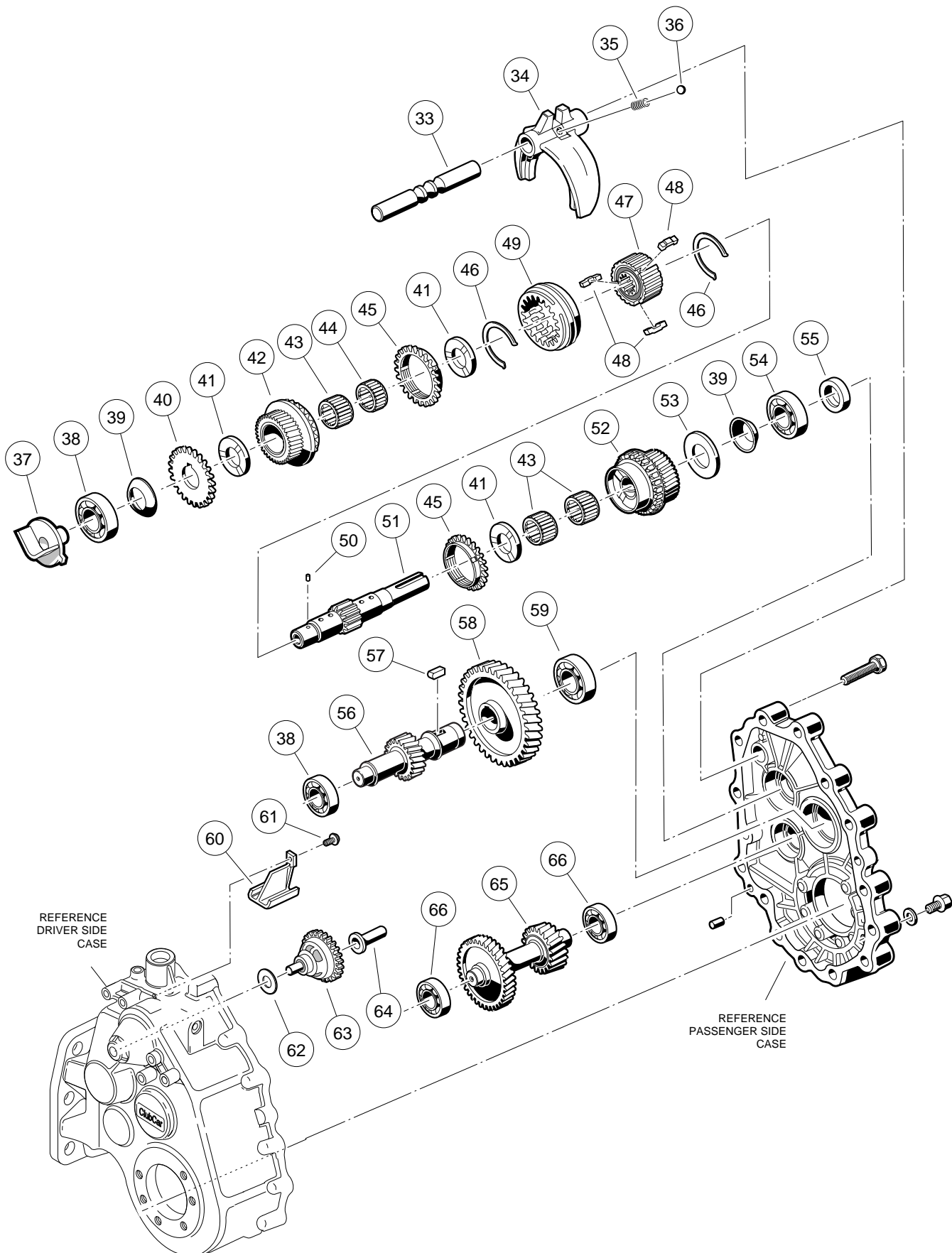
G



UNITIZED TRANSAXLE, GASOLINE VEHICLE— GEAR CASES AND BRACKETS

ITEM	PART NO.	DESCRIPTION	QTY
		1 2 3 4	
1	101922601	BRACKET, TRANSMISSION CABLE SUPPORT	1
2	1012285	SCREW, THREAD ROLLING, 1/4 - 20 x 5/8	3
3	1013061	NUT, NYLON LOCK, #10 - 32	1
4	183	WASHER, FLAT, #10	1
5	1010954	STUD, BALL, 1/4 - 28 x 9/16	1
6	1016341	LEVER, TRANSMISSION SHIFTER	1
7	1017082	SCREW, HEX WASHER HEAD, #10 - 32 x 3/4	1
8	8717	NUT, NYLON LOCK, 1/4 - 28	1
9	1017231	KEY, WOODRUFF	1
10	101834801	ARM, GOVERNOR LEVER	1
11	101886101	SCREW, SQUARE HEAD, 1/4 - 20 x 1	1
12	1014007	WASHER, TYPE B, 1/4	1
13	8233	NUT, NYLON LOCK, 1/4 - 20	1
	101833601	UNITIZED TRANSAXLE (INCLUDES ITEMS 14 - 90)	1
14	101890201	SHAFT, SHIFTER	1
15	101927301	RING, SNAP	1
16	101892901	WASHER, FLAT	1
17	101927201	SEAL, OIL	1
18	101890101	LEVER, SHIFTER	1
19	1012752	PIN, ROLL	1
20	101928601	PIN, COTTER	1
21	1016513	WASHER, FLAT	1
22	101927101	SEAL, OIL	1
23	101893801	WASHER	1
24	101891301	ARM, PIVOT	1
25	101890601	GEAR CASE (PASSENGER SIDE)	1
26	101890501	GEAR CASE (DRIVER SIDE)	1
27	101926901	BOLT, FLANGED, M8 x 1.25 x 40MM	15
28	1012896	PIN, DOWEL	2
29	1013759	PLUG, DRAIN (INCLUDES ITEM 30)	2
30	1016432	GASKET	1
31	1012711	BREATHER	1
32	101928701	GASKET, LIQUID, 8.8 OZ. (250 GRAMS)	A/R

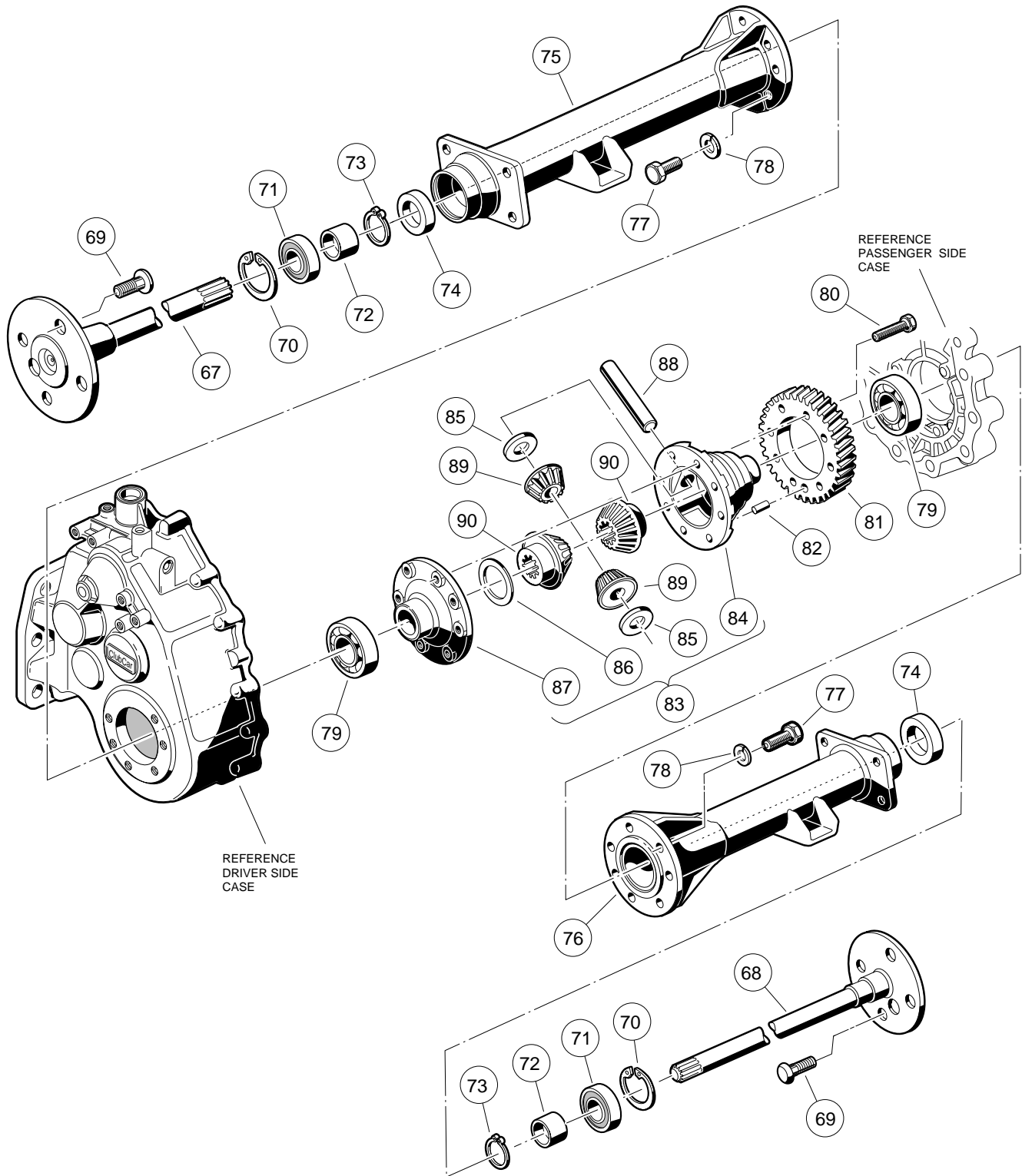
11
G



UNITIZED TRANSAXLE, GASOLINE VEHICLE— F&R TRANSMISSION AND GEAR REDUCTION

ITEM	PART NO.	DESCRIPTION	QTY
		1 2 3 4	
33	101892001	ROD, SHIFT	1
34	101890001	FORK, SHIFT	1
35	1012748	SPRING	1
36	1012747	BALL, STEEL	1
37	101889401	GUIDE	1
38	7336	BEARING, BALL	2
39	1016338	WASHER, SPRING	2
40	101892401	GEAR, SPUR	1
41	101892201	PLATE, THRUST	3
42	101980901	GEAR ASSEMBLY, INPUT, 28 TOOTH (16°)	1
43	101927601	BEARING, NEEDLE	3
44	101927501	BEARING, NEEDLE	1
45	101981001	RING, SYNCHRONIZER (16°)	2
46	1012741	SPRING, SYNCHRONIZER	2
47	101928001	HUB, SYNCHRONIZER CLUTCH	1
48	1012740	INSERT, SYNCHRONIZER	3
49	101927901	SLEEVE, SYNCHRONIZER	1
50	101927701	PIN, DOWEL	1
51	101889901	SHAFT, INPUT	1
52	101980801	GEAR ASSEMBLY, INPUT, 25 TOOTH (16°)	1
53	1016337	WASHER, THRUST	1
54	101927801	BEARING, BALL	1
55	1012714	SEAL, OIL, INPUT SHAFT	1
56	101892601	GEAR, 17 TOOTH	1
57	101893201	KEY	1
58	101892501	GEAR, 61 TOOTH	1
59	101928101	BEARING, BALL	1
60	101889501	GUIDE, OIL	1
61	101928201	SCREW, M8 x 1.25 x 10 MM	1
62	101893901	WASHER	1
63	101892301	GOVERNOR ASSEMBLY	1
64	101891601	SLEEVE	1
65	101891901	GEAR, CLUSTER IDLER	1
66	7335	BEARING, BALL	2

11
G



UNITIZED TRANSAXLE, GASOLINE VEHICLE— DIFFERENTIAL AND AXLES

ITEM	PART NO.	DESCRIPTION	QTY
		1 2 3 4	
67	101891501	AXLE ASSEMBLY, DRIVER SIDE (INCLUDES ITEMS 69 - 73)	1
68	101891401	AXLE ASSEMBLY, PASSENGER SIDE (INCLUDES ITEMS 69 - 73)	1
69	1013787	STUD, LUG	4
70	1013792	RING, RETAINING	1
71	1011291	BEARING, OUTER AXLE TUBE	1
72	1014207	COLLAR, 25 MM I. D.	1
73	1016672	RING, RETAINING	1
74	1013794	SEAL, OIL	2
75	101891001	ASSEMBLY, AXLE TUBE, DRIVER SIDE	1
76	101890901	ASSEMBLY, AXLE TUBE, PASSENGER SIDE	1
77	1013790	BOLT, M10 x 1.5 x 30MM	14
78	1013791	WASHER, LOCK, M10	14
79	7330	BEARING, INNER AXLE TUBE	2
80	101928301	BOLT, M8 x 1.25 x 37MM	8
81	101892701	GEAR, OUTPUT	1
82	1014193	PIN, DOWEL	1
83	101910501	KIT, DIFFERENTIAL GEAR CASE (INCLUDES ITEMS 84 - 87)	1
84	1013768	CASE, GEAR CARRIER	1
85	1013774	PLATE, THRUST (IDLER GEAR)	2
86	1013773	PLATE, THRUST (DIFFERENTIAL GEAR)	1
87	1013769	COVER, GEAR CASE	1
88	1013772	PIN, DIFFERENTIAL	1
89	1013770	GEAR, DIFFERENTIAL IDLER	2
90	1013771	GEAR, DIFFERENTIAL	2

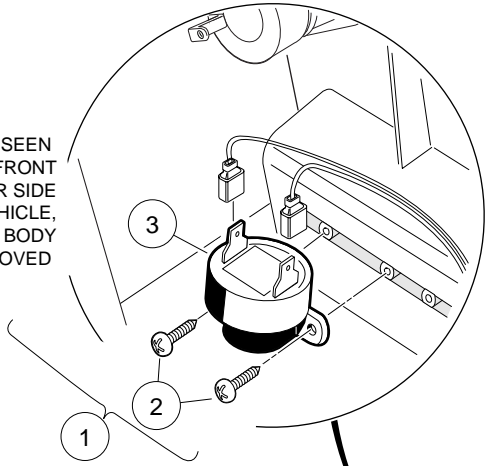
11
G

ELECTRICAL SYSTEM— ELECTRIC VEHICLE

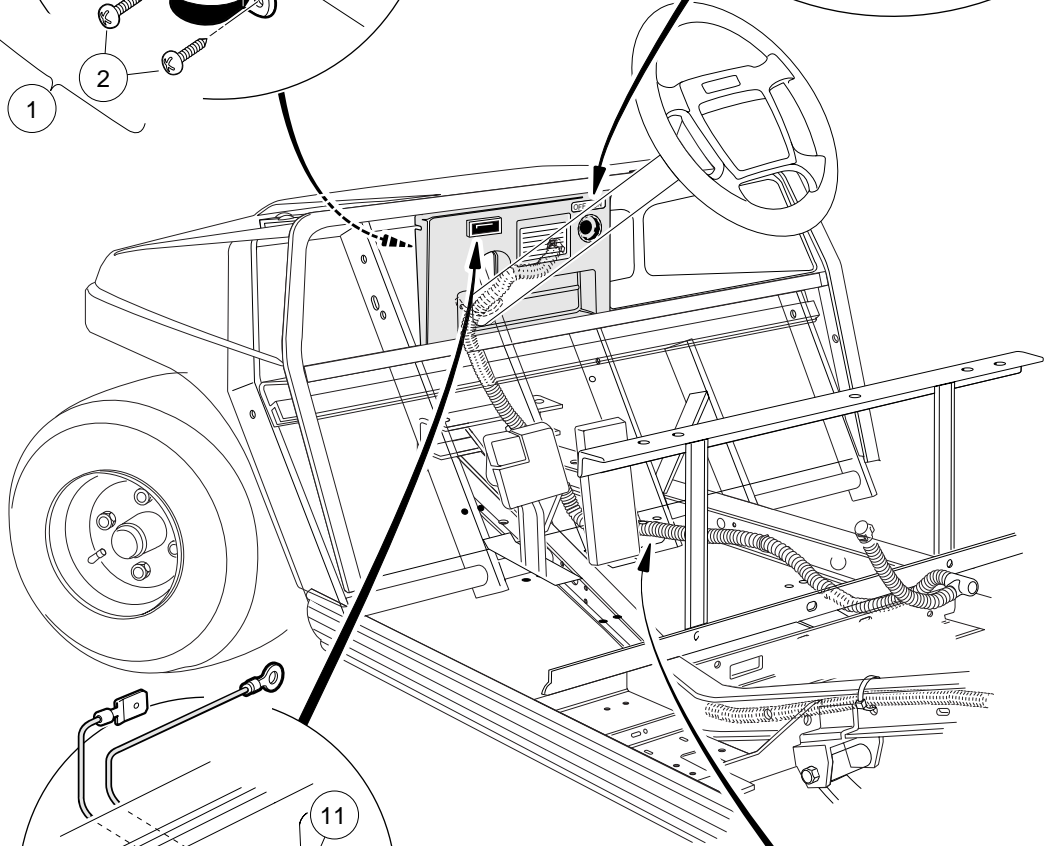
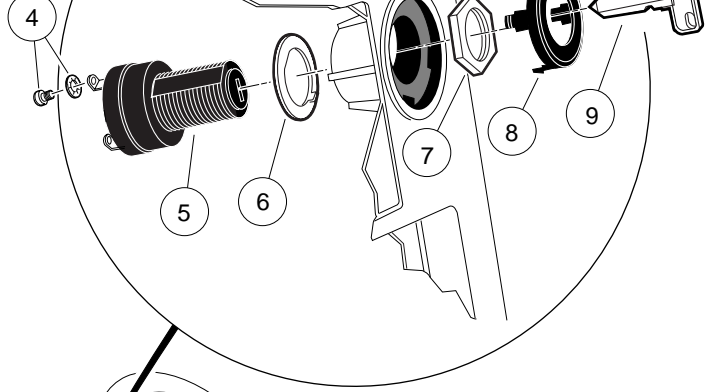
12

E

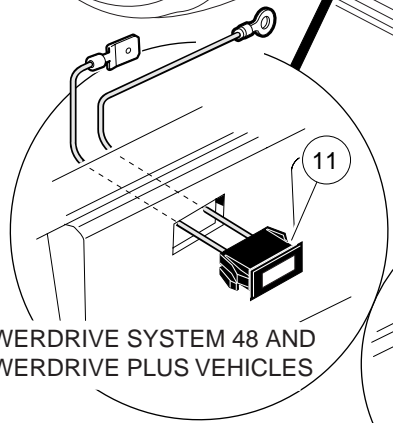
AS SEEN FROM FRONT DRIVER SIDE OF VEHICLE, BODY REMOVED



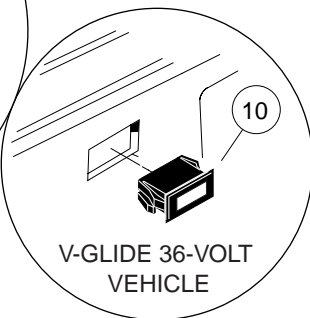
TYPICAL 2 PLACES



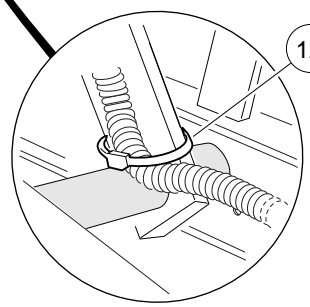
POWERDRIVE SYSTEM 48 AND POWERDRIVE PLUS VEHICLES



V-GLIDE 36-VOLT VEHICLE



TYPICAL 2 PLACES

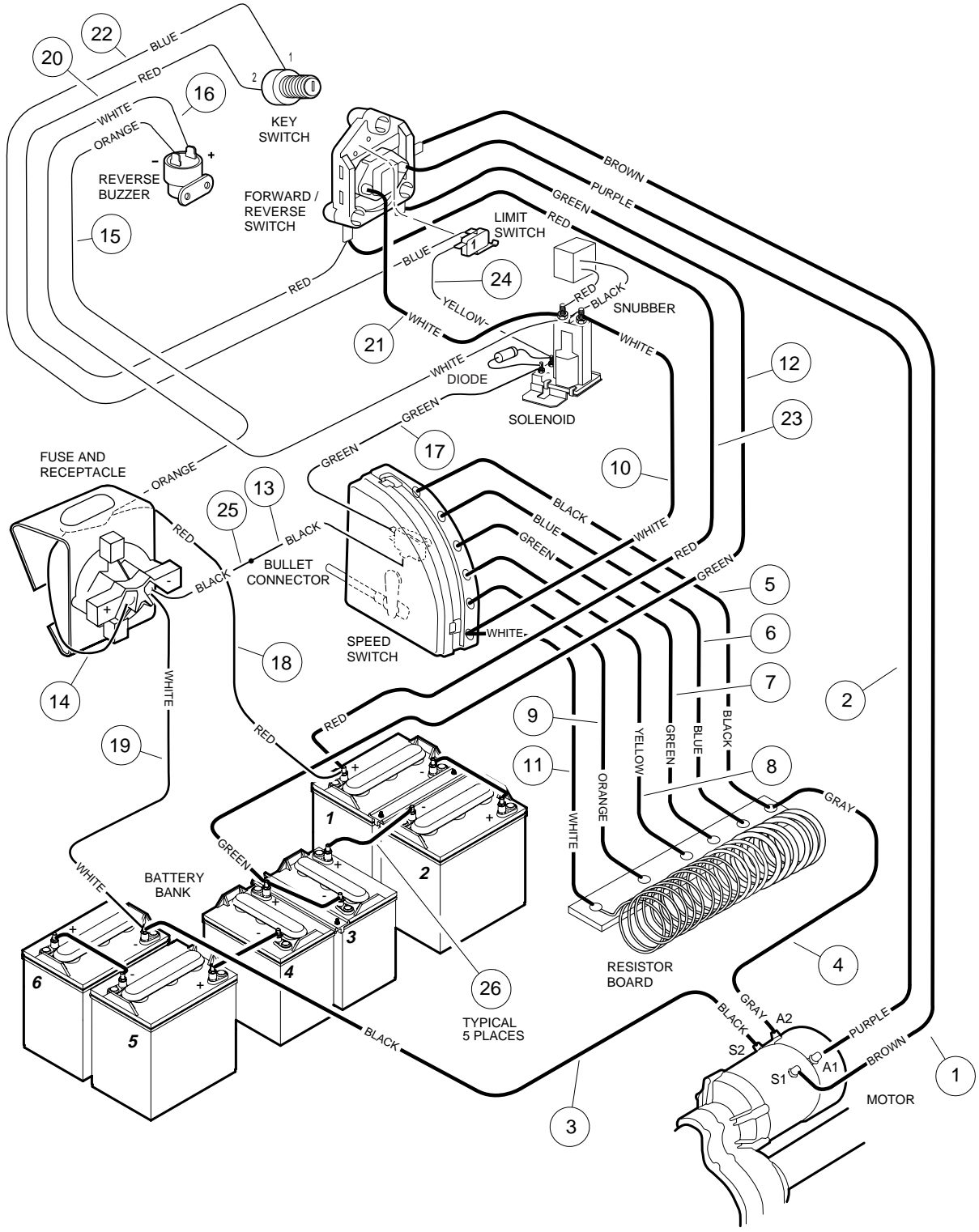


ELECTRICAL COMPONENTS, FRONT BODY— ELECTRIC VEHICLE

ITEM	PART NO.	DESCRIPTION	QTY
		1 2 3 4	
1	1016859	KIT, REVERSE BUZZER (INCLUDES ITEMS 2 AND 3)	1
2	1016849	SCREW, PAN HEAD HI-LO, #4 - 24 x 5/16	2
3	1016851	BUZZER, REVERSE	1
4	101830601	ASSEMBLY, SCREW AND WASHER	2
5	101826201	SWITCH, KEY	1
6	101851101	WASHER	1
7	101830701	NUT, KEY SWITCH	1
8	101834502	CAP, KEY SWITCH	1
9	1012505	KEY (PAIR)	1
10	101802601	PLUG, HOLE (V-GLIDE 36-VOLT VEHICLE ONLY)	1
11	101935501	LIGHT, BATTERY WARNING (AMBER) (POWERDRIVE SYSTEM 48 AND POWERDRIVE PLUS)	1
12	8990	TIE, WIRE	2

12

E

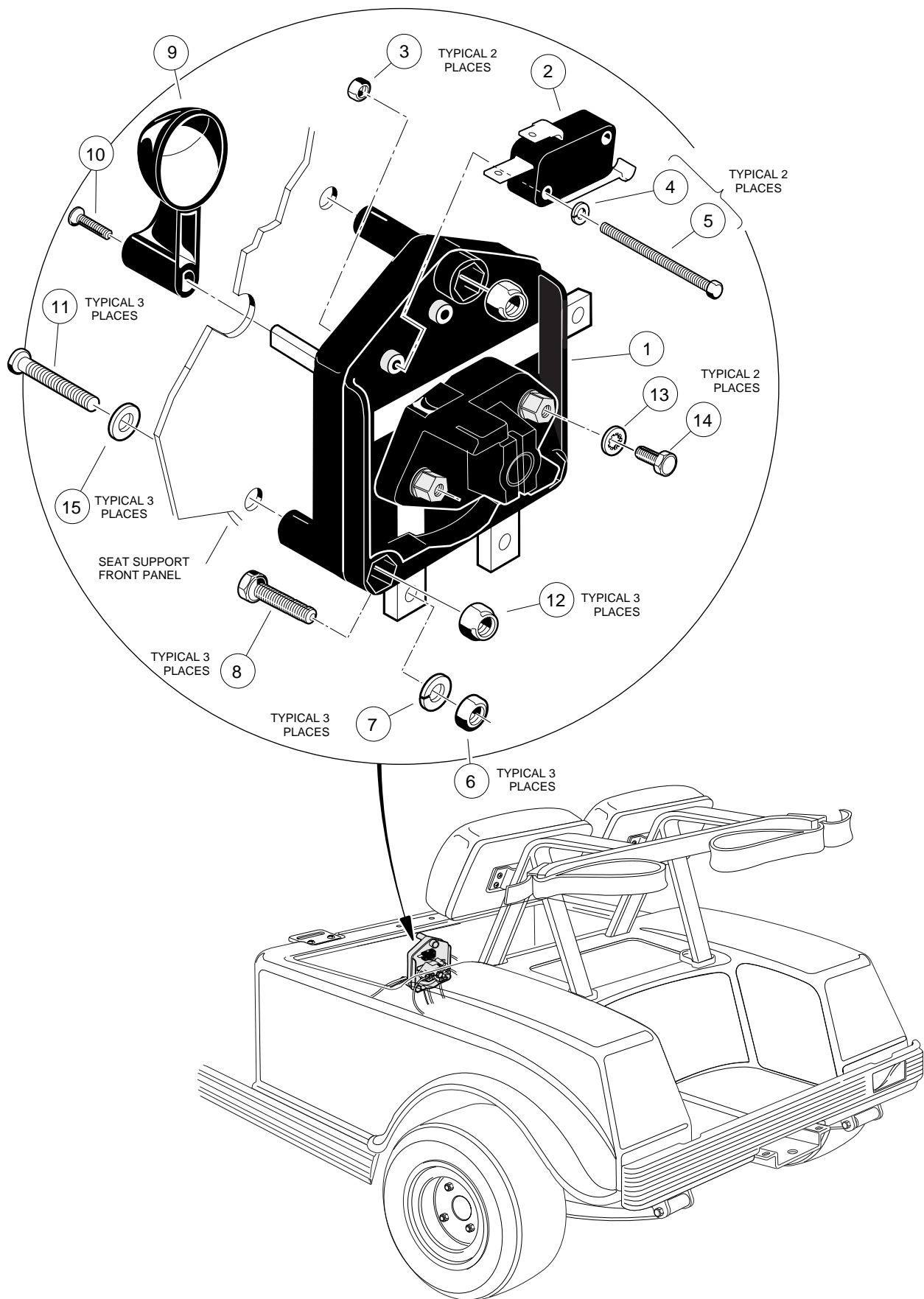


WIRING—V-GLIDE 36-VOLT VEHICLE

ITEM	PART NO.	DESCRIPTION	QTY
		1 2 3 4	
1	1016070	WIRE ASSEMBLY, #6 BROWN	1
2	1016069	WIRE ASSEMBLY, #6 PURPLE	1
3	1012651	WIRE ASSEMBLY, #6 BLACK	1
4	1016068	WIRE ASSEMBLY, #6 GRAY	1
5	1014036	WIRE ASSEMBLY, #6 BLACK, 6TH SPEED	1
6	1014035	WIRE ASSEMBLY, #6 BLUE, 5TH SPEED	1
7	1014034	WIRE ASSEMBLY, #6 GREEN, 4TH SPEED	1
8	1014033	WIRE ASSEMBLY, #6 YELLOW, 3RD SPEED	1
9	1014032	WIRE ASSEMBLY, #6 ORANGE, 2ND SPEED	1
10	1014029	WIRE ASSEMBLY, #6 WHITE	1
11	1014030	WIRE ASSEMBLY, #6 WHITE, 1ST SPEED	1
12	1014828	WIRE ASSEMBLY, #6 GREEN	1
13	N/A	WIRE ASSEMBLY, #18 BLACK	1
14	1013092	WIRE ASSEMBLY, #10 RED	1
15	N/A	WIRE ASSEMBLY, #18 ORANGE	1
16	N/A	WIRE ASSEMBLY, #18 WHITE	1
17	N/A	WIRE ASSEMBLY, #18 GREEN	1
18	102018001	WIRE ASSEMBLY, #10 RED	1
19	1011010	WIRE ASSEMBLY, #10 WHITE	1
20	N/A	WIRE ASSEMBLY, #18 RED	1
21	1014039	WIRE ASSEMBLY, #6 WHITE	1
22	N/A	WIRE ASSEMBLY, #18 BLUE	1
23	1011069	WIRE ASSEMBLY, #6 RED	1
24	N/A	WIRE ASSEMBLY, #18 YELLOW	1
25	N/A	WIRE ASSEMBLY, #18 BLACK	1
26	1010958	WIRE ASSEMBLY, #6 BLACK	5

12

E

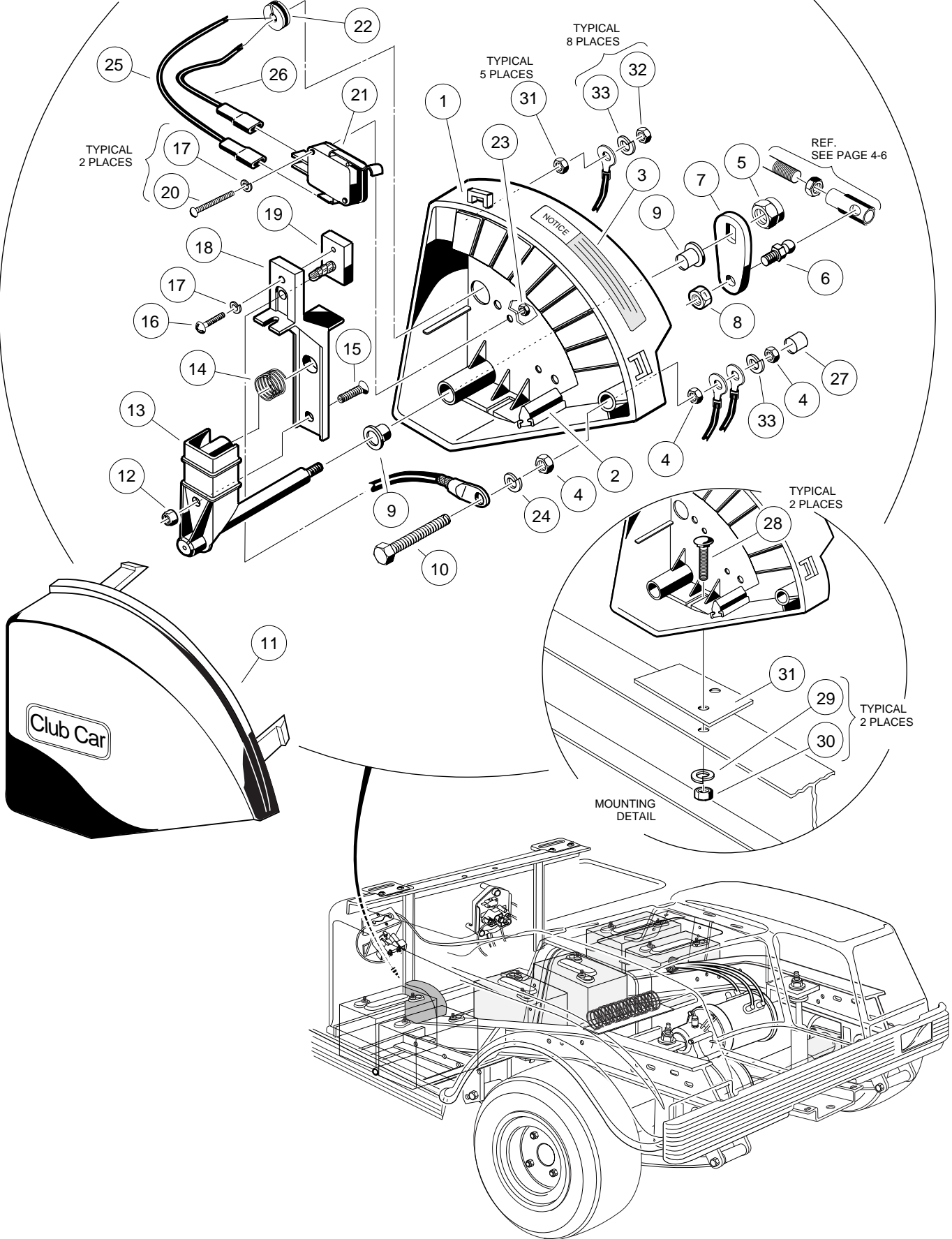


FORWARD/REVERSE SWITCH— V-GLIDE 36-VOLT VEHICLE

ITEM	PART NO.	DESCRIPTION	QTY
		1 2 3 4	
1	1011997	ASSEMBLY, FORWARD/REVERSE SWITCH (INCLUDES ITEMS 2 - 5)	1
2	1014808	SWITCH, LIMIT	1
3	8057	NUT, HEX, #4 - 40	2
4	8058	WASHER, LOCK, #4	2
5	1016896	SCREW, HEX HEAD MACHINE, #4 - 40 x 1-1/8	2
6	1028	NUT, HEX, 1/4 - 20	3
7	451	WASHER, LOCK, 1/4	3
8	304	SCREW, HEX HEAD CAP, 1/4 - 20 x 1	3
9	1012987	HANDLE, FORWARD/REVERSE SWITCH	1
10	1013198	SCREW, PHILLIPS HEAD MACHINE, #8 - 32 x 5/8	1
11	1016845	SCREW, PHILLIPS TRUSS HEAD, 1/4 - 20 x 2-1/8	3
12	8233	NUT, NYLON LOCK, 1/4 - 20	3
13	8049	WASHER, INTERNAL TOOTH LOCK, #10	2
14	8450	SCREW, HEX HEAD MACHINE, #10 - 24 x 1/2	2
15	1014528	WASHER, PLASTIC, 1/4	3

12

E

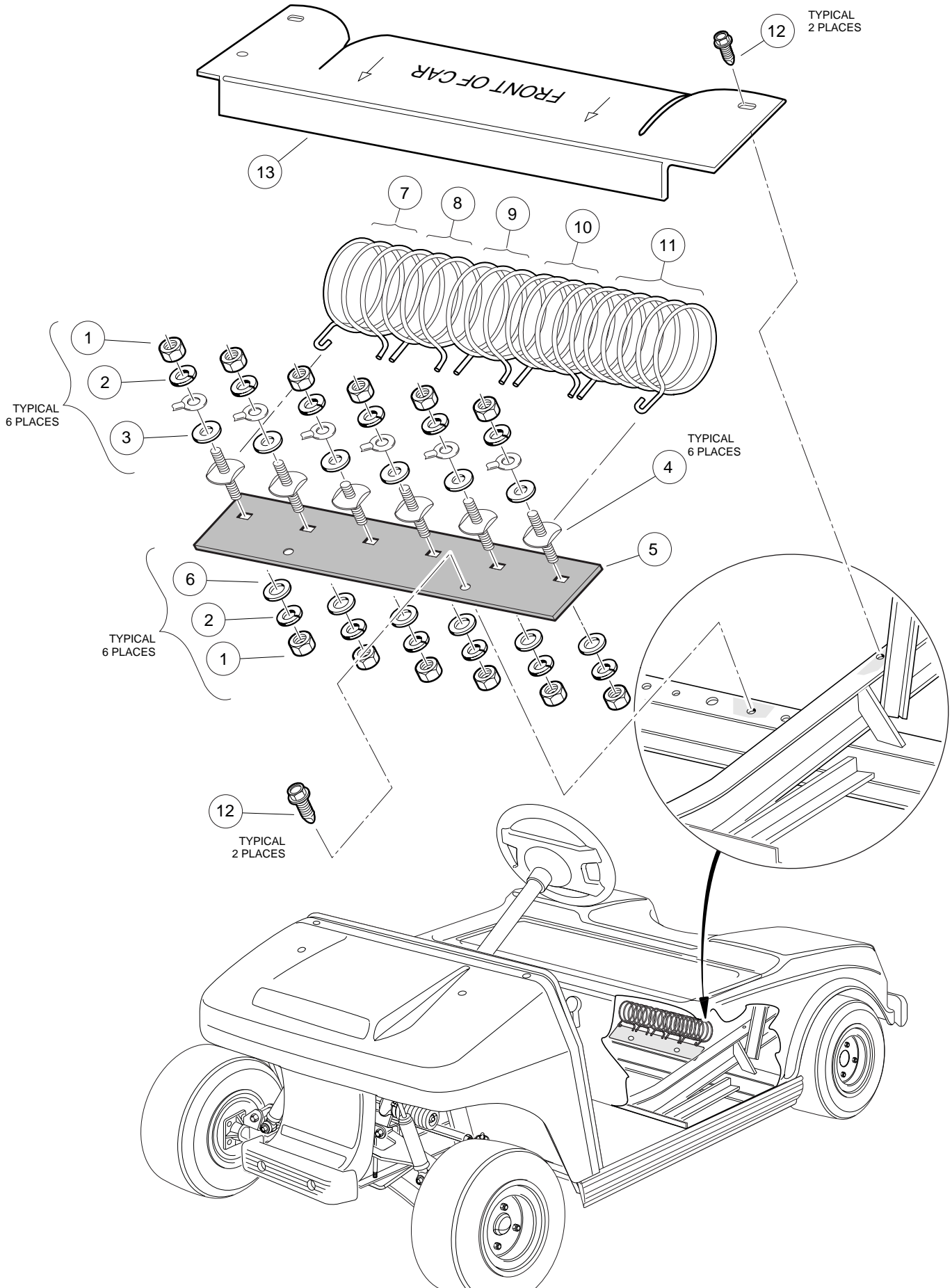


WIPER SWITCH—V-GLIDE 36-VOLT VEHICLE

ITEM	PART NO.	DESCRIPTION	QTY
		1 2 3 4	
	1014735	ASSEMBLY, V-GLIDE WIPER SWITCH AND RESISTOR GROUP (INCLUDES WIPER SWITCH ASSEMBLY LISTED BELOW, RESISTOR AND BOARD ASSEMBLY —ITEMS 1 - 11 ON PAGE 12-11, AND CONNECTING WIRES—ITEMS 5 - 11 ON PAGE 12-5).....	1
	1016140	ASSEMBLY, V-GLIDE WIPER SWITCH (INCLUDES ITEMS 1 - 27)	1
1	1014999	ASSEMBLY, WIPER SWITCH CASE, 6-SPEED (INCLUDES ITEMS 2 AND 3)	1
2	1014414	BUMPER, WIPER SWITCH	1
3	101610901	DECAL, WIPER SWITCH WARNING	1
4	1014253	NUT, BRASS HEX JAM, 1/4 - 20	3
5	7473	NUT, NYLON LOCK, 5/16 - 18	1
6	1012353	STUD, SHORT BALL, 1/4 - 28	1
7	1014003	CRANK, BELL	1
8	8449	NUT, DIMPLED LOCK, 1/4 - 28	1
9	1012903	BEARING, BRONZE, 3/8 x 1/2	2
10	1014189	SCREW, BRONZE HEX HEAD CAP, 1/4 - 20 x 2	1
11	1013886	COVER, WIPER SWITCH CASE	1
12	1013061	NUT, NYLON LOCK, #10 - 32	1
13	1014017	CARRIER, WIPER SWITCH ARM	1
14	1013998	SPRING, WIPER SWITCH BRUSH	1
15	1014	STUD, WIPER SWITCH ADJUSTING	1
16	1014019	SCREW, SELF-TAPPING, #4 - 40 x 3/8	1
17	8058	WASHER, LOCK, #4	3
18	1013887	ARM, SPEED SWITCH	1
19	1013860	ASSEMBLY, SWITCH BRUSH	1
20	8056	SCREW, ROUND-HEAD MACHINE, #4 - 40 x 3/4	2
21	1014807	SWITCH, LIMIT	1
22	1014010	GROMMET, SPLIT	1
23	8057	NUT, HEX, #4 - 40	2
24	451	WASHER, LOCK, 1/4	1
25	N/A	WIRE ASSEMBLY, #18 BLACK	1
26	N/A	WIRE ASSEMBLY, #18 GREEN	1
27	1017692	CAP, PROTECTOR	1
28	1014109	BOLT, ROUND-HEAD SQUARE-NECK, #10 - 24 x 1	2
29	1016175	WASHER, LOCK, #10	2
30	1017	NUT, HEX, #10 - 24	2
31	101949201	SHIM, WIPER SWITCH	1
32	1028	NUT, HEX, STEEL, 1/4 - 20	13
33	451	WASHER, LOCK, 1/4	9

12

E

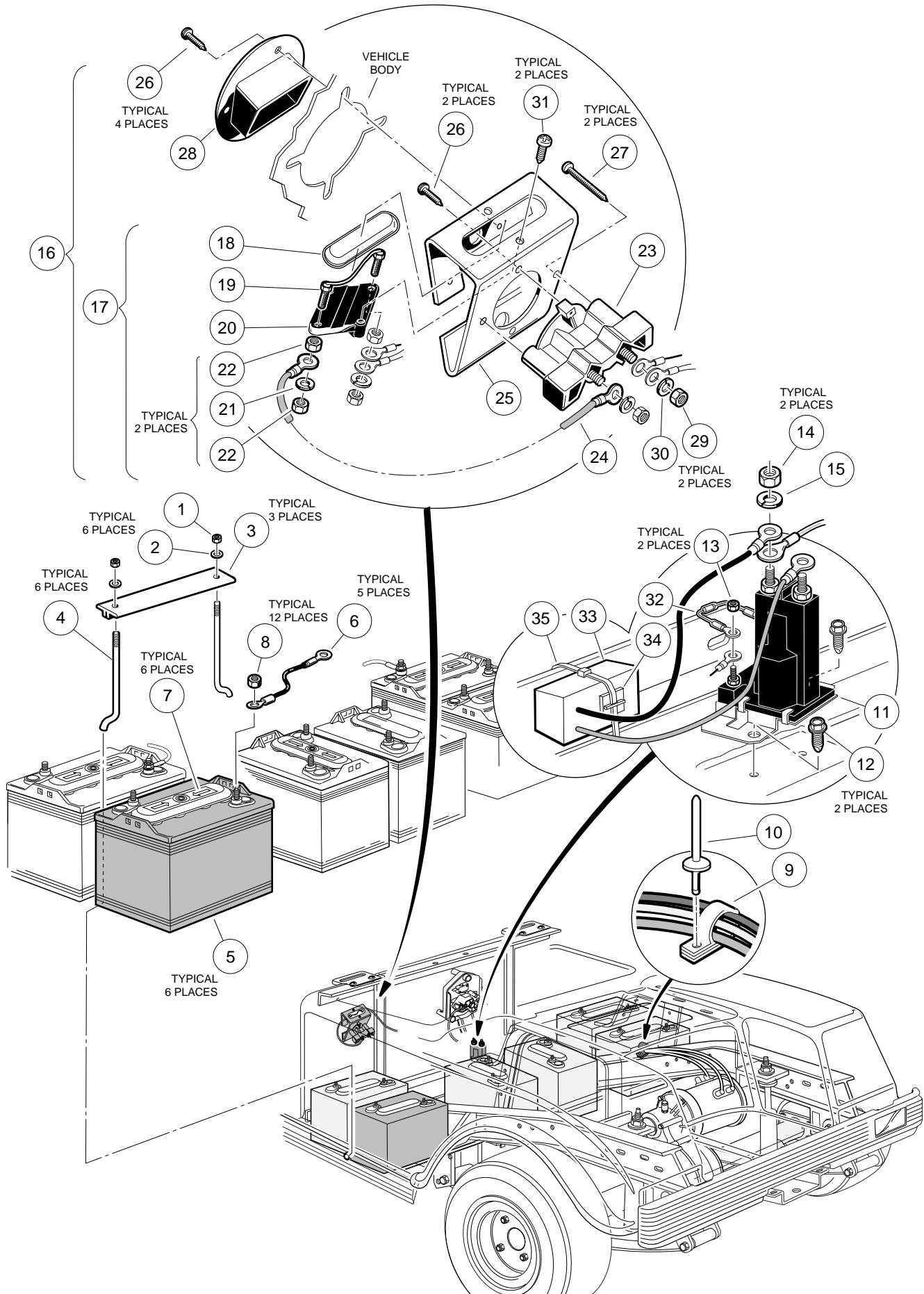


RESISTOR AND BOARD ASSEMBLY— V-GLIDE 36-VOLT VEHICLE

ITEM	PART NO.	DESCRIPTION	QTY
		1 2 3 4	
1	1028	NUT, HEX, 1/4 - 20	12
2	451	WASHER, LOCK, 1/4	12
3	1011931	WASHER, FLAT, 1/4	6
4	1014045	STAND-OFF, RESISTOR COIL	6
5	1014728	BOARD, RESISTOR MOUNTING	1
6	332	WASHER, FLAT, 1/4	6
7	1014476	COIL, RESISTOR, 5TH SPEED, .182" WIRE DIAMETER, 3-COIL	1
8	1014012	COIL, RESISTOR, 4TH SPEED, .162" WIRE DIAMETER, 3-COIL	1
9	1014013	COIL, RESISTOR, 3RD SPEED, .144" WIRE DIAMETER, 3-COIL	1
10	1014014	COIL, RESISTOR, 2ND SPEED, .128" WIRE DIAMETER, 4-COIL	1
11	1014729	COIL, RESISTOR, 1ST SPEED, .128" WIRE DIAMETER, 6-COIL	1
12	1012285	SCREW, THREAD-ROLLING, 1/4 - 20 x 5/8	4
13	1013971	SHIELD, RESISTOR	1

12

E

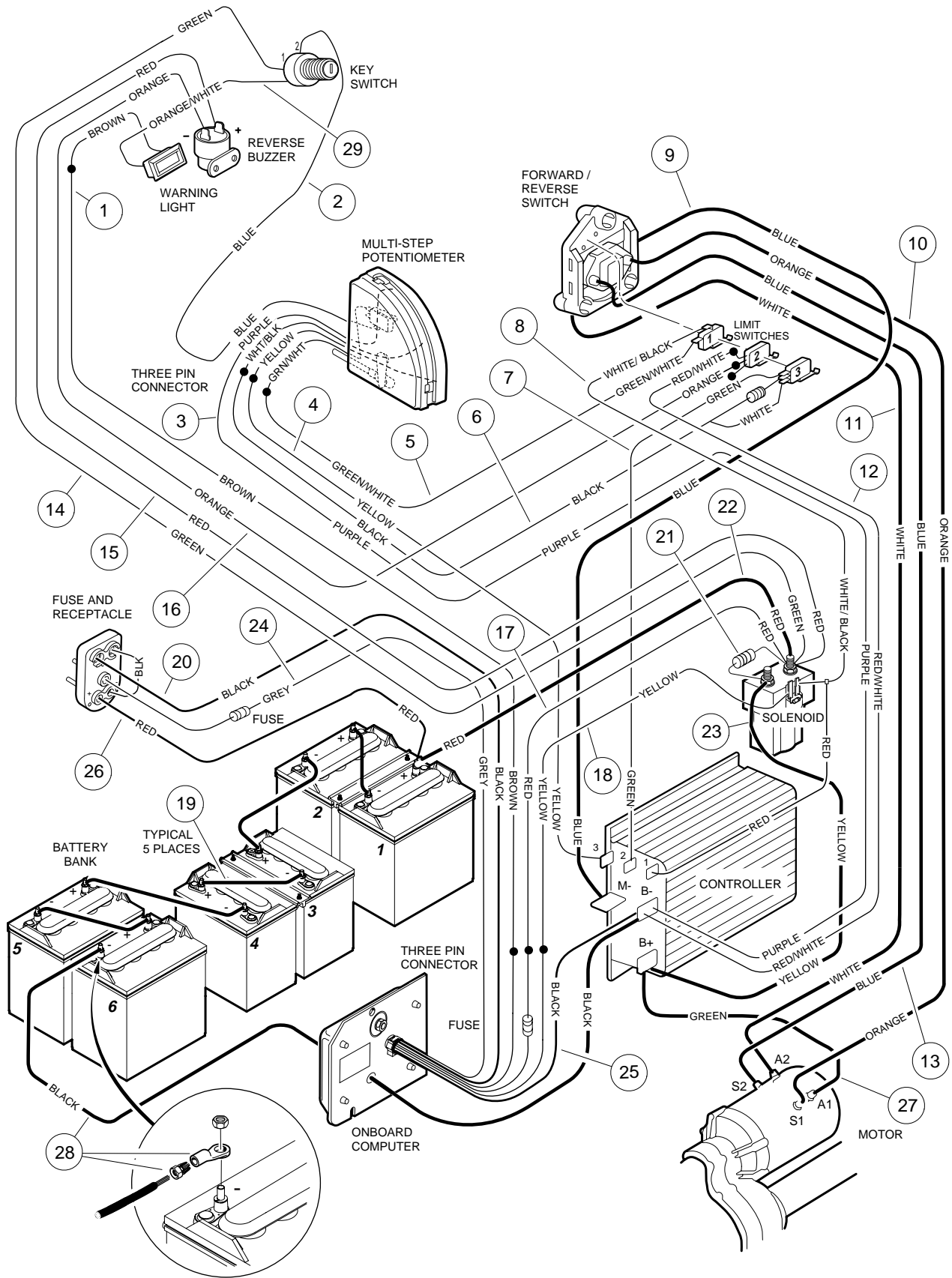


BATTERIES, CHARGER RECEPTACLE, SOLENOID— V-GLIDE 36-VOLT VEHICLE

12

E

ITEM	PART NO.	DESCRIPTION	QTY
		1 2 3 4	
1	1015072	NUT, NYLON LOCK, STAINLESS STEEL, 5/6 - 18	6
2	1011578	WASHER, FLAT, TYPE B WIDE, 5/16	6
3	101090801	HOLD-DOWN, BATTERY	3
4	1013683	J-BOLT	6
5	101661601	BATTERY, 6-VOLT	6
5	101661602	BATTERY, 6-VOLT, DRY	6
6	1010958	WIRE ASSEMBLY, #6 BLACK	5
7	101831401	CAP, 6-VOLT BATTERY	6
8	1014304	NUT, HEX, STAINLESS STEEL, 5/6 - 18	12
9	1012022	CLAMP, CABLE	2
10	1606	RIVET, POP, 3/16	2
11	101975901	SOLENOID, 36-VOLT	1
12	1012285	SCREW, THREAD-ROLLING, 1/4 - 20 x 5/8	2
13	7893	NUT, HEX, #10 - 32	2
14	1010521	NUT, HEX, 5/16 - 24	2
15	7174	WASHER, LOCK, 5/16	2
16	101342501	KIT, FUSE AND RECEPTACLE (INCLUDES ITEMS 17 - 31)	1
17	1014516	KIT, FUSE (INCLUDES ITEMS 18 - 22)	1
18	N/A	LENS, FUSE	1
19	N/A	FUSE, 80-AMP	1
20	N/A	HOLDER, FUSE	1
21	1016	WASHER, LOCK, #10	2
22	8797	NUT, BRASS, #10 - 32	4
23	4107	RECEPTACLE, CHARGER, 2-PRONG	1
24	1013092	WIRE ASSEMBLY, #10 RED	1
25	1013628	BRACKET, FUSE AND RECEPTACLE MOUNTING	1
26	8796	SCREW, PHILLIPS PAN HEAD SELF-TAPPING, #7 -19 x 3/4	6
27	8795	SCREW, PHILLIPS PAN HEAD SELF-TAPPING, #7 -19 x 1-3/4	2
28	1013649	BEZEL, CHARGER RECEPTACLE	1
29	8797	NUT, BRASS, #10 - 32	2
30	1016	WASHER, LOCK, #10	2
31	1013266	SCREW, PHILLIPS PAN HEAD SELF-TAPPING, #8 - 18 x 1/2	2
32	1014948	DIODE	1
33	102047201	SNUBBER	1
34	102048301	BASE, MOUNTING	1
35	8639	TIE, WIRE	1

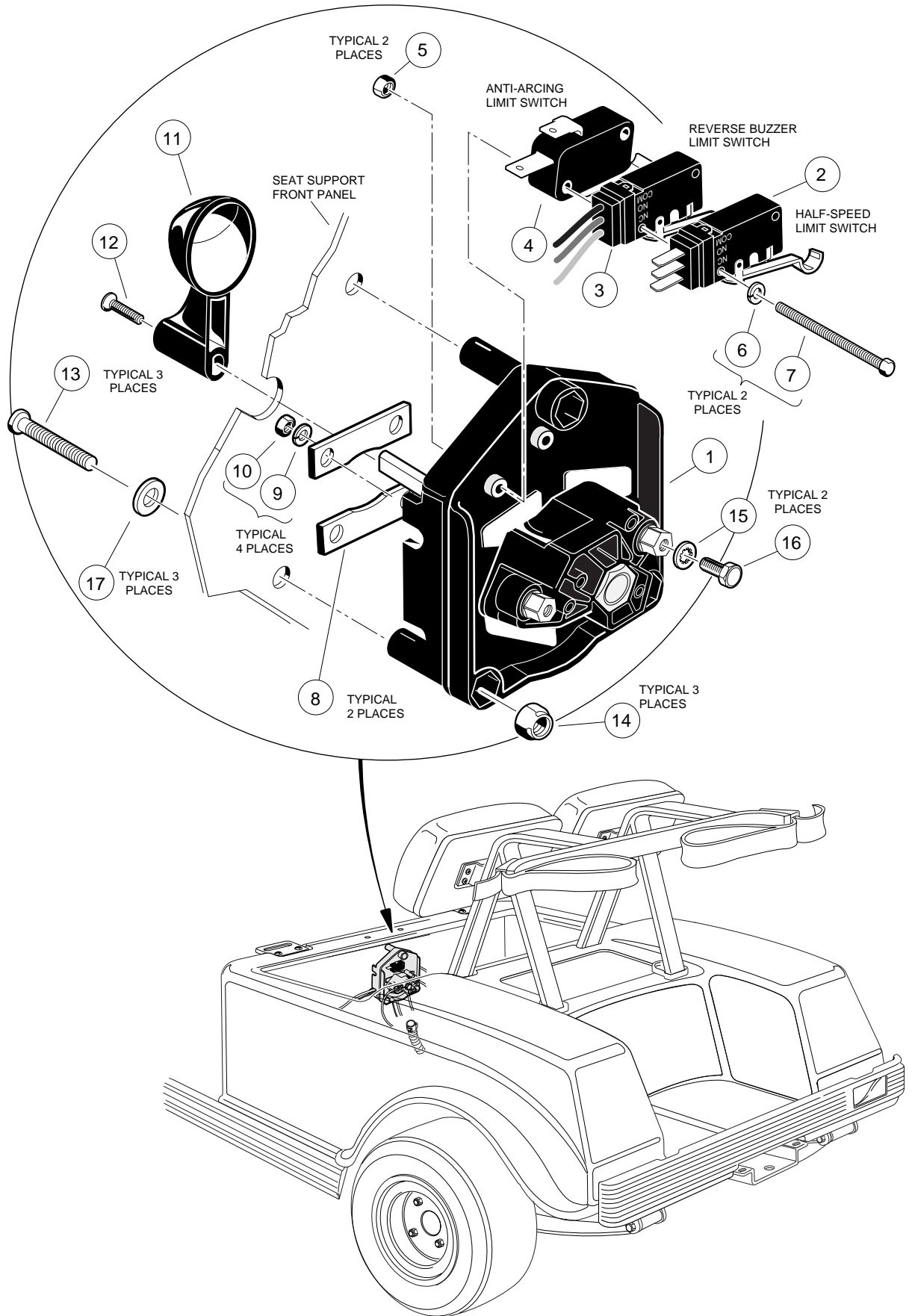


WIRING—POWERDRIVE SYSTEM 48 VEHICLE

ITEM	PART NO.	DESCRIPTION	QTY
		1 2 3 4	
	102052503	WIRE HARNESS (INCLUDES ITEMS 1 - 19)	1
1	N/A	WIRE ASSEMBLY, #18 BROWN	1
2	N/A	WIRE ASSEMBLY, #18 BLUE	1
3	N/A	WIRE ASSEMBLY, #18 PURPLE	1
4	N/A	WIRE ASSEMBLY, #18 YELLOW	1
5	N/A	WIRE ASSEMBLY, #18 GREEN/WHITE	1
6	101883002	WIRE ASSEMBLY, #18 BLACK (INCLUDES RESISTOR AND #18 WHITE WIRE)	1
7	N/A	WIRE ASSEMBLY, #18 GREEN	1
8	N/A	WIRE ASSEMBLY, #18 WHITE/BLACK AND #18 RED	1
9	101901401	WIRE ASSEMBLY, #6 BLUE	1
10	101901201	WIRE ASSEMBLY, #6 ORANGE	1
11	101901501	WIRE ASSEMBLY, #6 WHITE	1
12	N/A	WIRE ASSEMBLY, #18 RED/WHITE	1
13	101901301	WIRE ASSEMBLY, #6 BLUE	1
14	N/A	WIRE ASSEMBLY, #18 GREEN	1
15	N/A	WIRE ASSEMBLY, #18 RED	1
16	N/A	WIRE ASSEMBLY, #18 ORANGE	1
17	N/A	WIRE ASSEMBLY, #18 RED	1
18	N/A	WIRE ASSEMBLY, #18 YELLOW	1
19	101795701	WIRE ASSEMBLY, #6 BLACK	5
20	N/A	WIRE ASSEMBLY, #10 BLACK (PART OF ONBOARD COMPUTER ASSEMBLY)	1
21	1014947	ASSEMBLY, RESISTOR	1
22	101902801	WIRE ASSEMBLY, #6 RED	1
23	101903001	WIRE ASSEMBLY, #6 YELLOW	1
24	N/A	WIRE ASSEMBLY, #18 GREY (PART OF ONBOARD COMPUTER ASSEMBLY)	1
25	N/A	WIRE ASSEMBLY, #10 BLACK (PART OF ONBOARD COMPUTER ASSEMBLY)	1
26	N/A	WIRE ASSEMBLY, #10 RED (PART OF FUSE AND RECEPTACLE ASSEMBLY)	1
27	101902901	WIRE ASSEMBLY, #6 GREEN	1
28	101827801	KIT, WIRE AND TERMINAL, #6 BLACK	1
29	N/A	WIRE ASSEMBLY, #18 ORANGE/WHITE (PART OF BATTERY WARNING LIGHT)	1

12

E

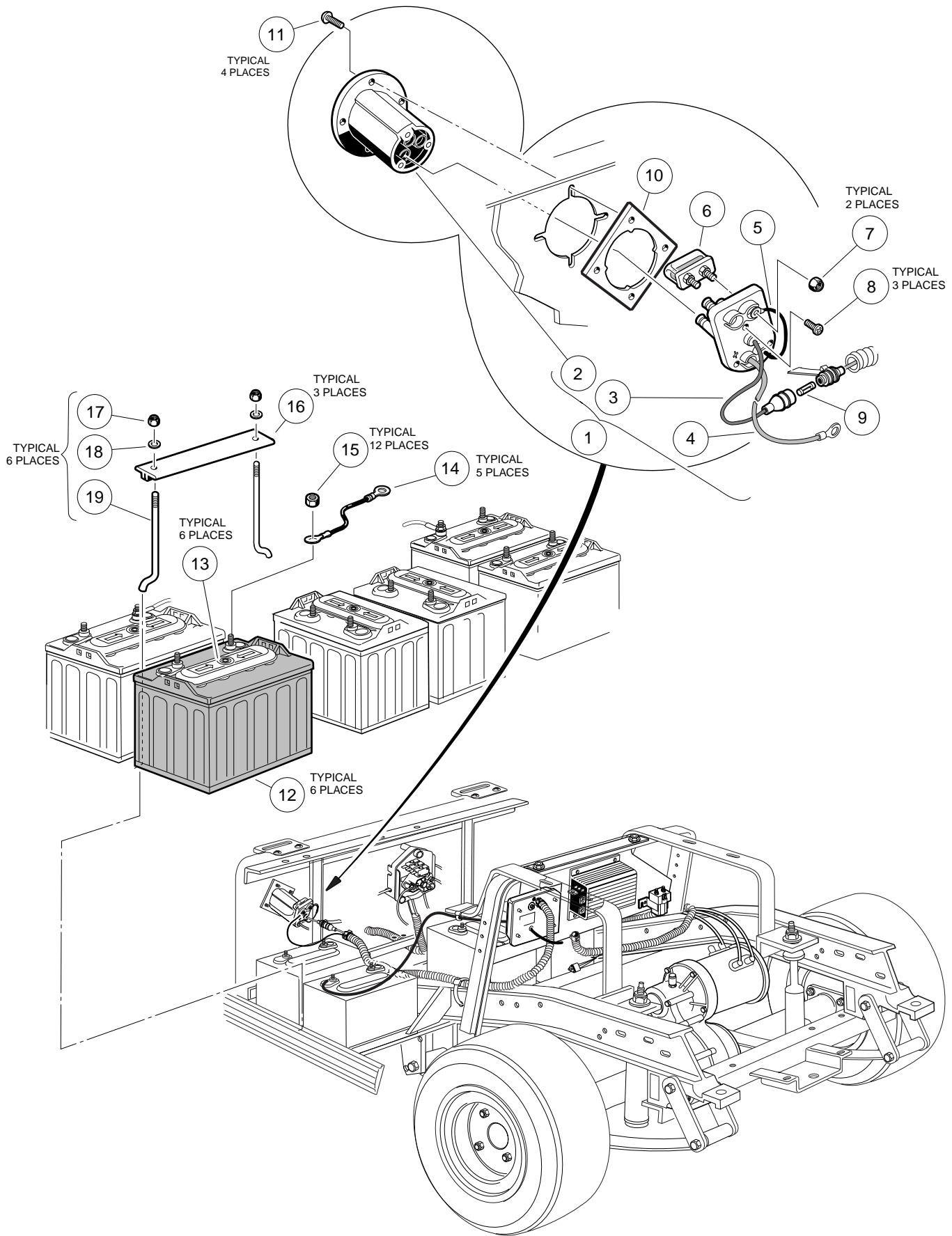


FORWARD/REVERSE SWITCH— POWERDRIVE SYSTEM 48 VEHICLE

ITEM	PART NO.	DESCRIPTION	QTY
		1 2 3 4	
1	101753005	ASSEMBLY, FORWARD/REVERSE SWITCH (INCLUDES ITEMS 2 - 10)	1
2	101977101	SWITCH, LIMIT, SEALED	1
3	101979101	SWITCH, LIMIT, SEALED	1
4	1014808	SWITCH, LIMIT	1
5	8057	NUT, HEX, #4 - 40	2
6	8058	WASHER, LOCK, #4	2
7	1014871	SCREW, HEX WASHER HEAD, #4 - 40 x 2	2
8	1017799	BAR, BUS	2
9	451	WASHER, LOCK, 1/4	4
10	1028	NUT, HEX, 1/4 - 20	4
11	1012987	HANDLE, FORWARD/REVERSE SWITCH	1
12	1013198	SCREW, PHILLIPS HEAD MACHINE, #8 - 32 x 5/8	1
13	1016845	SCREW, PHILLIPS TRUSS HEAD, 1/4 - 20 x 2-1/8	3
14	8233	NUT, NYLON LOCK, 1/4 - 20	3
15	8049	WASHER, INTERNAL TOOTH LOCK, #10	2
16	8450	SCREW, HEX HEAD MACHINE, #10 - 24 x 1/2	2
17	1014528	WASHER, PLASTIC, 1/4	3

12

E

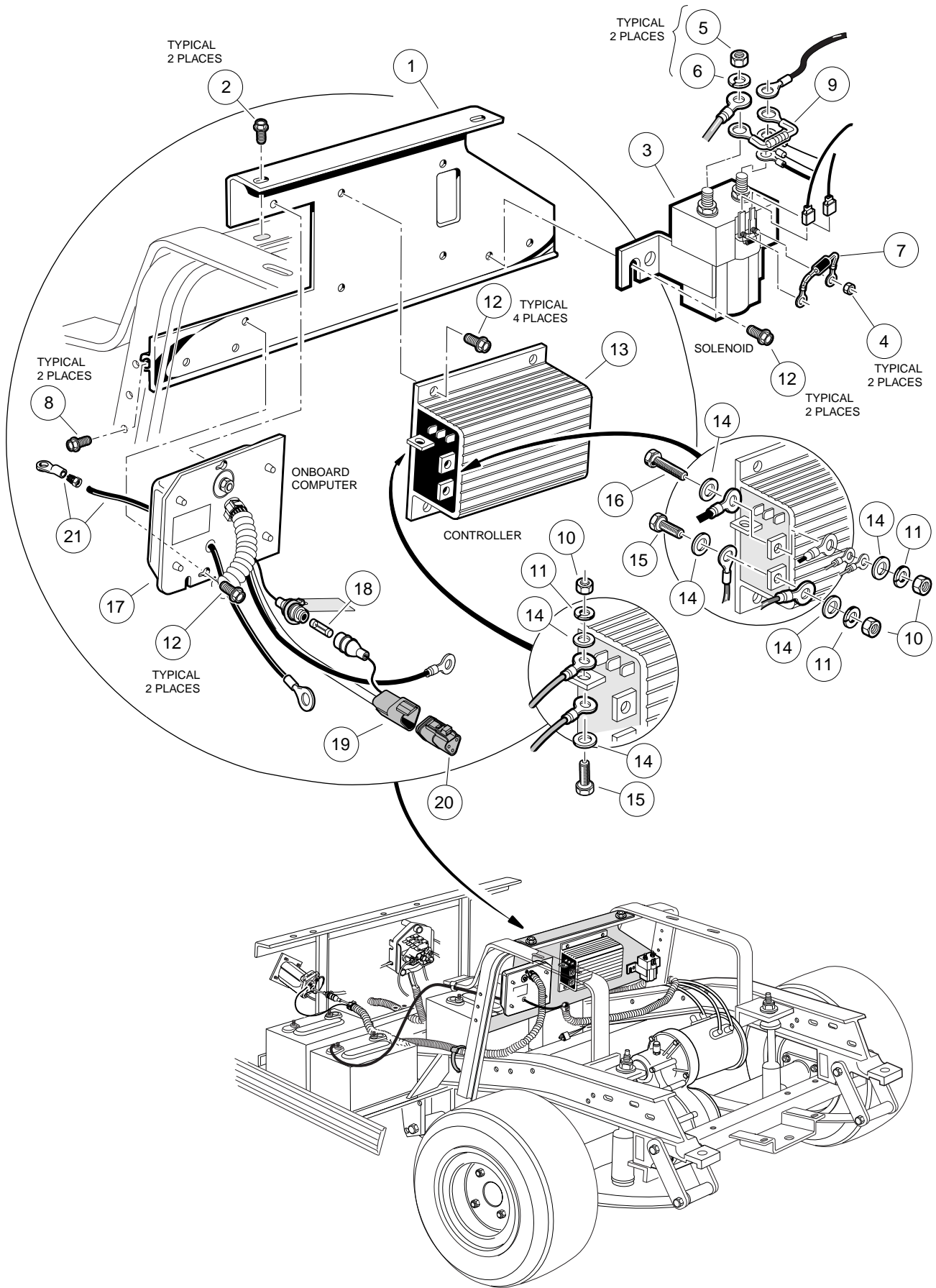


BATTERIES, CHARGER RECEPTACLE— POWERDRIVE SYSTEM 48 VEHICLE

ITEM	PART NO.	DESCRIPTION	QTY
		1 2 3 4	
1	101802101	KIT, FUSE AND RECEPTACLE (INCLUDES ITEMS 2 - 9)	1
2	101796501	BEZEL, RECEPTACLE	1
3	N/A	WIRE ASSEMBLY, SENSE LEAD, GRAY	1
4	N/A	WIRE ASSEMBLY, #10 RED	1
5	N/A	WIRE ASSEMBLY, #10 BLACK	1
6	101796801	ASSEMBLY, FUSE, 48-VOLT (INCLUDES ITEM 7)	1
7	1013061	NUT, NYLON LOCK, #10	2
8	1017705	SCREW, PHILLIPS PAN HEAD, #8 TYPE AB	3
9	101894901	FUSE, 3/8-AMP	1
10	101801001	PLATE, RECEPTACLE BACKING	1
11	101832001	SCREW, PHILLIPS PAN HEAD, #7 - 18 x 3/4	4
12	101797701	BATTERY, 8-VOLT POWERDRIVE	6
12	101797702	BATTERY, 8-VOLT POWERDRIVE, DRY	6
13	101797801	CAP, BATTERY, 4-PORT GANG	6
14	101795701	WIRE ASSEMBLY, #6 BLACK	5
15	1014304	NUT, HEX, STAINLESS STEEL, 5/16 - 18	12
16	101090801	HOLD-DOWN, BATTERY	3
17	1015072	NUT, NYLON LOCK, STAINLESS STEEL, 5/16 - 18	6
18	1011578	WASHER, FLAT, TYPE B WIDE, 5/16	6
19	1013683	J-BOLT	6

12

E

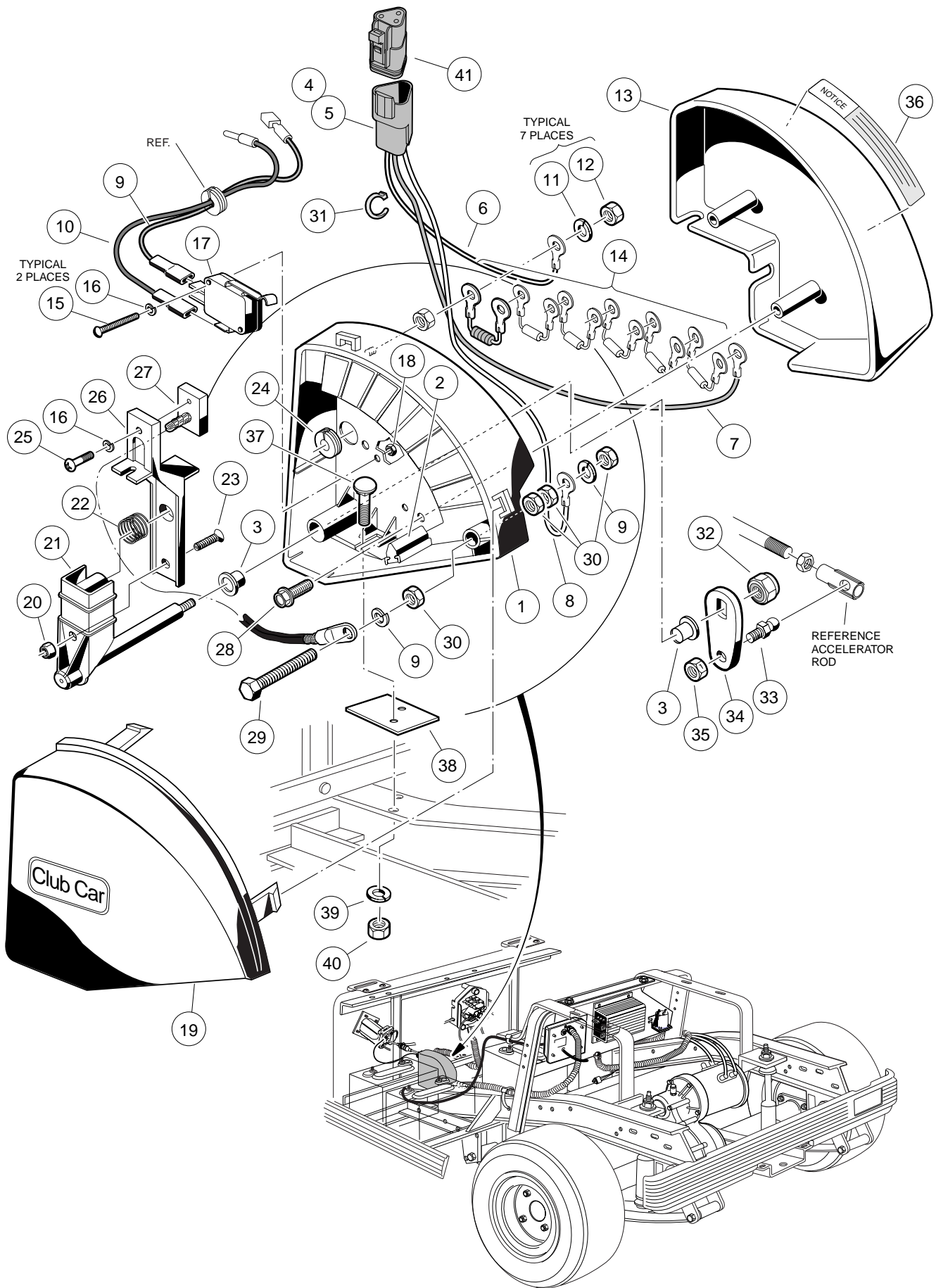


COMPUTER, CONTROLLER, AND SOLENOID— POWERDRIVE SYSTEM 48 VEHICLE

ITEM	PART NO.	DESCRIPTION	QTY
		1 2 3 4	
1	101965201	PLATE, COMPONENT MOUNTING	1
2	1014288	SCREW, THREAD-FORMING, 5/16 - 18 x 3/4	2
3	101908701	SOLENOID, 48-VOLT (WITH DIODE) (INCLUDES ITEMS 4 - 6)	1
4	1016545	NUT, HEX, M5 x .8	2
5	1012528	NUT, HEX, M8	2
6	7174	WASHER, LOCK, 5/16	2
7	1014948	ASSEMBLY, DIODE (SERVICE PART ONLY)	1
8	101910401	SCREW, THREAD-FORMING, 5/16 - 18 x 1-1/4	2
9	1014947	ASSEMBLY, RESISTOR	1
10	1242	NUT, HEX, 5/16 - 18	3
11	7174	WASHER, LOCK, 5/16	3
12	1012285	SCREW, THREAD-ROLLING, 1/4 - 20 x 5/8	8
13	101840201	CONTROLLER, 48-VOLT (225-AMP)	1
14	1241	WASHER, FLAT, 5/16	6
15	7173	SCREW, HEX HEAD CAP, 5/16 - 18 x 3/4	2
16	1218	SCREW, HEX HEAD CAP, 5/16 - 18 x 1-1/4	1
17	101909901	COMPUTER, ONBOARD (INCLUDES ITEMS 18 AND 19)	1
18	101894901	FUSE, 3/8-AMP	1
19	101942301	KIT, 3-PIN RECEPTACLE	1
20	101920101	KIT, 3-PIN PLUG ASSEMBLY	1
21	101827801	KIT, WIRE AND TERMINAL, #6 BLACK	1

12

E

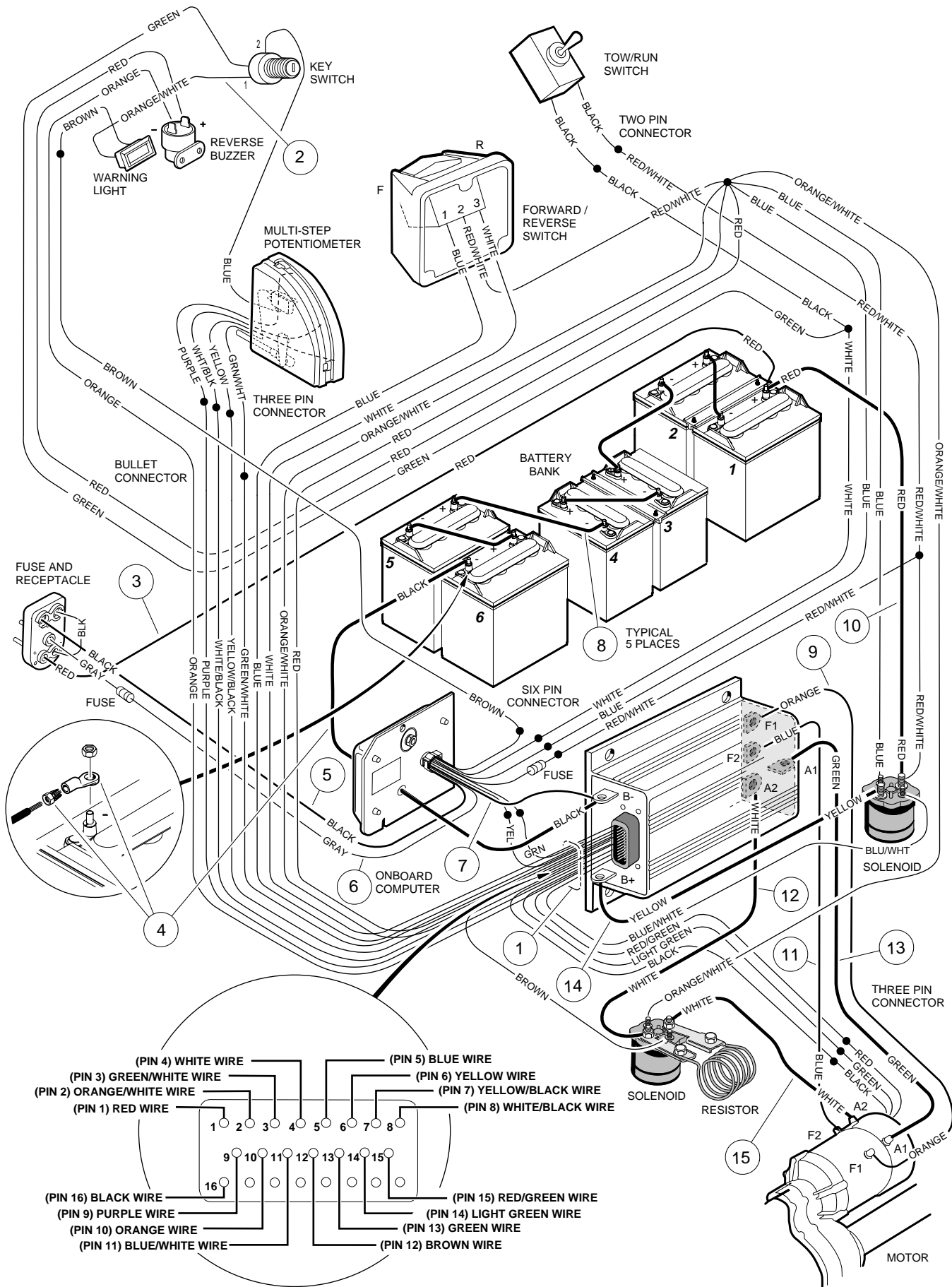


MULTI-STEP POTENTIOMETER— POWERDRIVE SYSTEM 48 AND POWERDRIVE PLUS

12

E

ITEM	PART NO.	DESCRIPTION	QTY
		1 2 3 4	
	101932004	ASSEMBLY, WIPER SWITCH (INCLUDES ITEMS 1 - 36)	1
1	1014999	ASSEMBLY, WIPER SWITCH CASE, 6-SPEED (INCLUDES ITEMS 2 AND 3)	1
2	1014414	BUMPER, WIPER SWITCH	1
3	1012903	BEARING, BRONZE	2
4	101932801	ASSEMBLY, 3-WIRE AND RECEPTACLE (INCLUDES ITEMS 5 - 8)	1
5	101942301	KIT, 3-PIN RECEPTACLE	1
6	N/A	WIRE ASSEMBLY, #18 WHITE/BLACK	1
7	N/A	WIRE ASSEMBLY, #18 PURPLE	1
8	N/A	WIRE ASSEMBLY, #18 YELLOW	1
9	N/A	WIRE ASSEMBLY, #18 GREEN/WHITE	1
10	N/A	WIRE ASSEMBLY, #18 BLUE	1
11	451	WASHER, LOCK, 1/4	9
12	1028	NUT, HEX, STEEL, 1/4 - 20	7
13	101946901	PROTECTOR, WIPER SWITCH RESISTOR	1
14	101971101	KIT, RESISTOR ASSEMBLY	1
15	8056	SCREW, ROUND HEAD MACHINE, #4 - 40 x 3/4	2
16	8058	WASHER, LOCK, #4	3
17	1014807	SWITCH, LIMIT	1
18	8057	NUT, HEX, #4 - 40	2
19	1013886	COVER, WIPER SWITCH	1
20	1013061	NUT, NYLON LOCK, #10 - 32	1
21	1014017	CARRIER, WIPER SWITCH ARM	1
22	1013998	SPRING, WIPER SWITCH BRUSH	1
23	1014	STUD, WIPER SWITCH ADJUSTING	1
24	1014010	GROMMET, SPLIT	1
25	1014019	SCREW, SELF-TAPPING, #4 - 40 x 3/8	1
26	1013887	ARM, SPEED SWITCH	1
27	1013860	ASSEMBLY, SWITCH BRUSH	1
28	1013461	SCREW, HEX HEAD HI-LO, #10 - 16 x 1/2	2
29	1014189	SCREW, HEX HEAD CAP, 1/4 - 20 x 2	1
30	1014253	NUT, BRASS HEX JAM, 1/4 - 20	4
31	8990	TIE, WIRE	1
32	7473	NUT, NYLON LOCK, 5/16 - 18	1
33	1012353	STUD, SHORT BALL, 1/4 - 28	1
34	1014003	CRANK, BELL	1
35	8449	NUT, DIMPLED LOCK, 1/4 - 28	1
36	101610901	DECAL, WIPER SWITCH WARNING	1
37	1014109	BOLT, ROUND-HEAD SQUARE-NECK, #10 - 24 x 1	2
38	101949201	SHIM, WIPER SWITCH	1
39	1016175	WASHER, LOCK, #10	2
40	1017	NUT, HEX, #10 - 24	2
41	101920101	KIT, 3-PIN PLUG ASSEMBLY	1

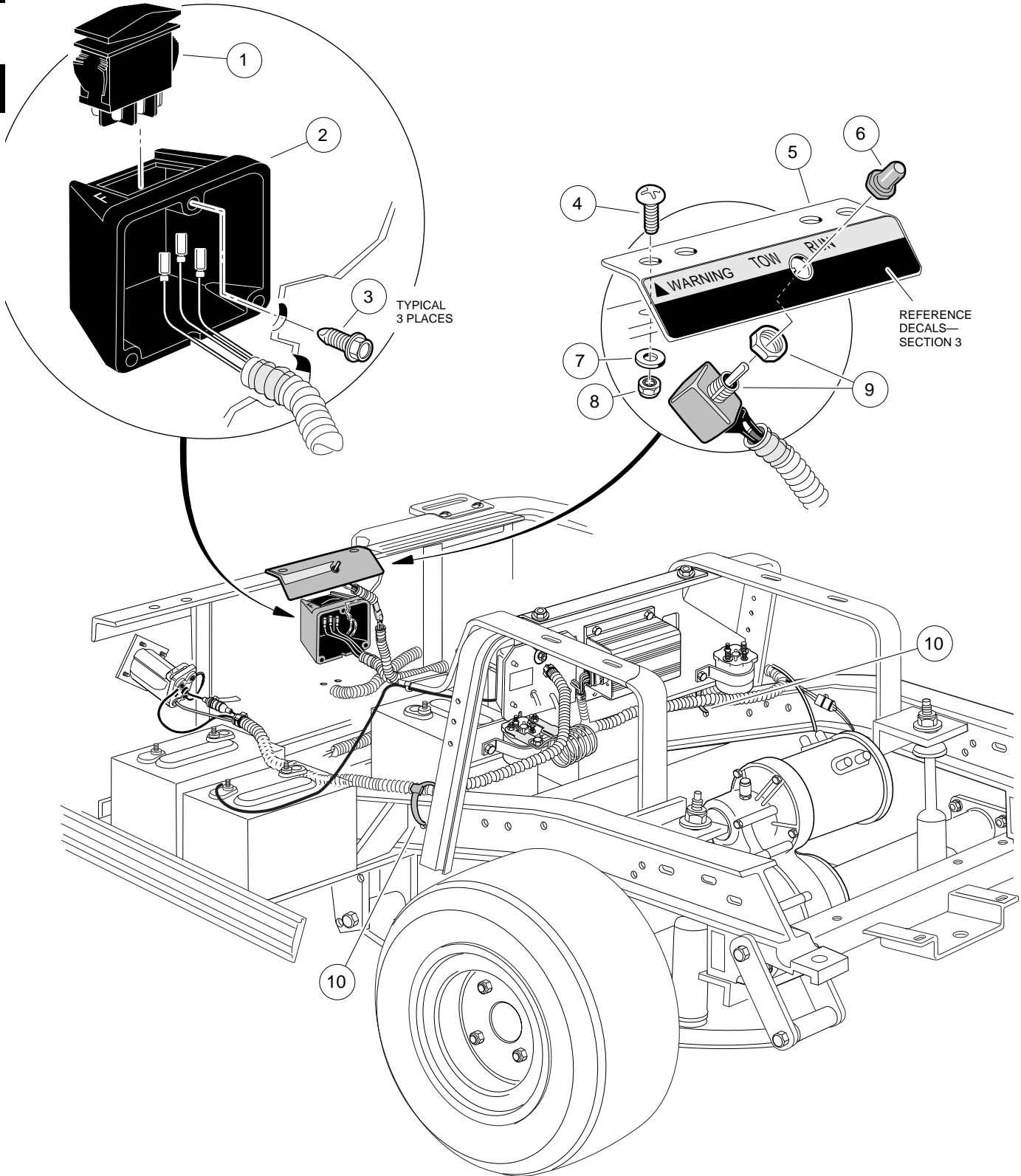


WIRING—POWERDRIVE PLUS VEHICLE

ITEM	PART NO.	DESCRIPTION	QTY
		1 2 3 4	
1	101964801	WIRE HARNESS	1
2	N/A	WIRE ASSEMBLY, #18 ORANGE/WHITE (PART OF BATTERY LIGHT)	1
3	N/A	WIRE ASSEMBLY, #10 RED (PART OF FUSE AND RECEPTACLE ASSEMBLY)	1
4	101827801	KIT, WIRE AND TERMINAL, #6 BLACK	1
5	N/A	WIRE ASSEMBLY, #10 BLACK (PART OF ONBOARD COMPUTER ASSEMBLY)	1
6	N/A	WIRE ASSEMBLY, #18 GRAY (PART OF ONBOARD COMPUTER ASSEMBLY)	1
7	N/A	WIRE ASSEMBLY, #10 BLACK (PART OF ONBOARD COMPUTER ASSEMBLY)	1
8	101795701	WIRE ASSEMBLY, #6 BLACK	5
9	101853502	WIRE ASSEMBLY, #10 ORANGE	1
10	101902801	WIRE ASSEMBLY, #6 RED	1
11	101853602	WIRE ASSEMBLY, #10 BLUE	1
12	101968701	WIRE ASSEMBLY, #6 WHITE	1
13	101902901	WIRE ASSEMBLY, #6 GREEN	1
14	101920001	WIRE ASSEMBLY, #6 YELLOW	1
15	1014856	WIRE ASSEMBLY, #6 WHITE	1

12

E

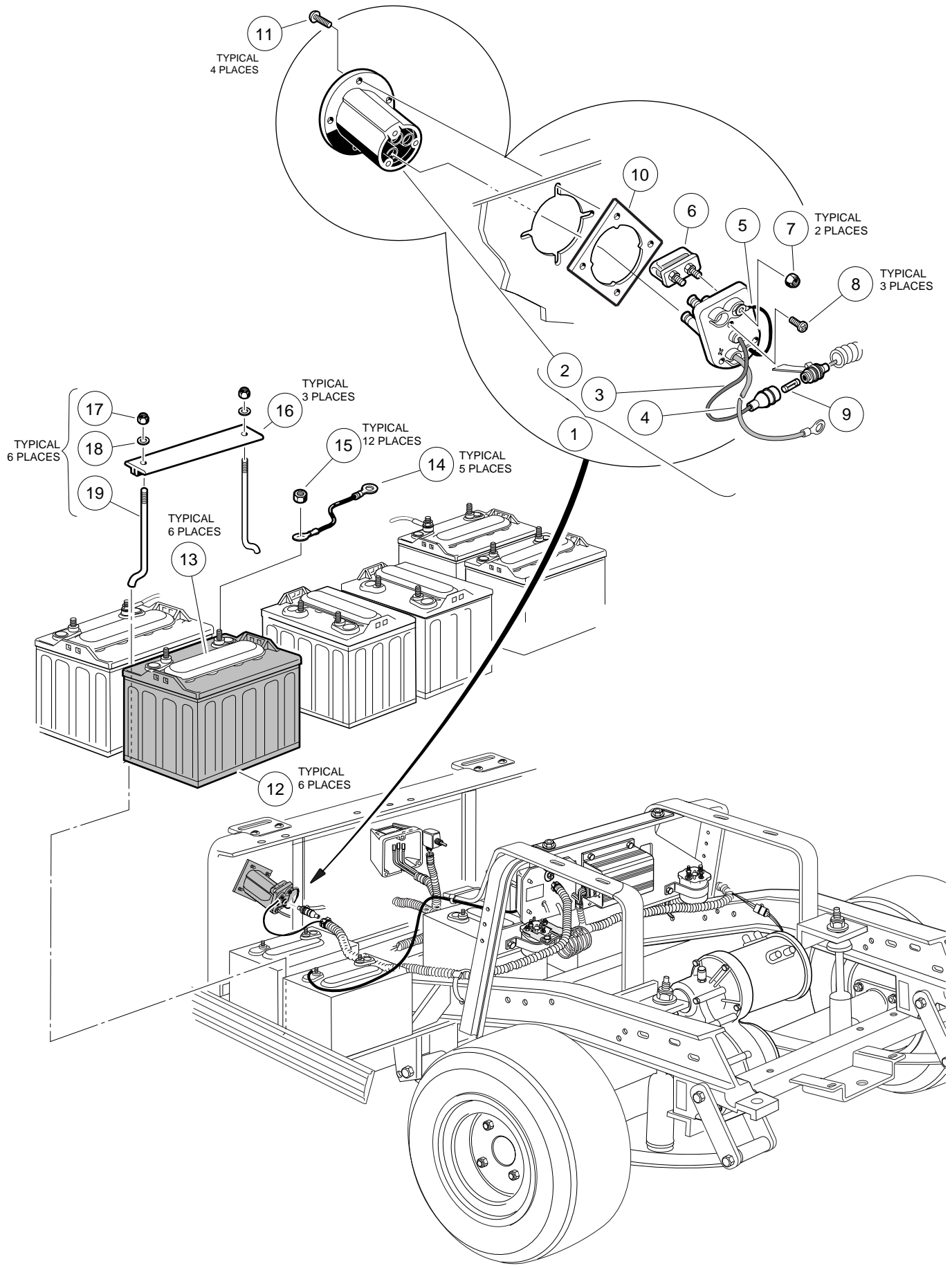


FORWARD/REVERSE SWITCH, TOW/RUN SWITCH— POWERDRIVE PLUS VEHICLE

ITEM	PART NO.	DESCRIPTION	QTY
		1 2 3 4	
1	101856001	SWITCH, FORWARD/REVERSE	1
2	101855001	CASE, FORWARD/REVERSE SWITCH	1
3	101856101	SCREW, HI-LO HEX HEAD, 1/4 - 15 x 1/2	3
4	8248	SCREW, TRUSS PHILLIPS MACHINE, 1/4 - 20 x 3/4	2
5	101922501	BRACKET, TOW/RUN SWITCH (WITHOUT DECAL)	1
6	101908401	BOOT, TOW/RUN SWITCH (WITH NUT)	1
7	332	WASHER, FLAT, 1/4	2
8	8233	NUT, NYLON LOCK, 1/4 - 20	2
9	101908101	SWITCH, TOW/RUN	1
10	8990	TIE, WIRE	A/R

12

E

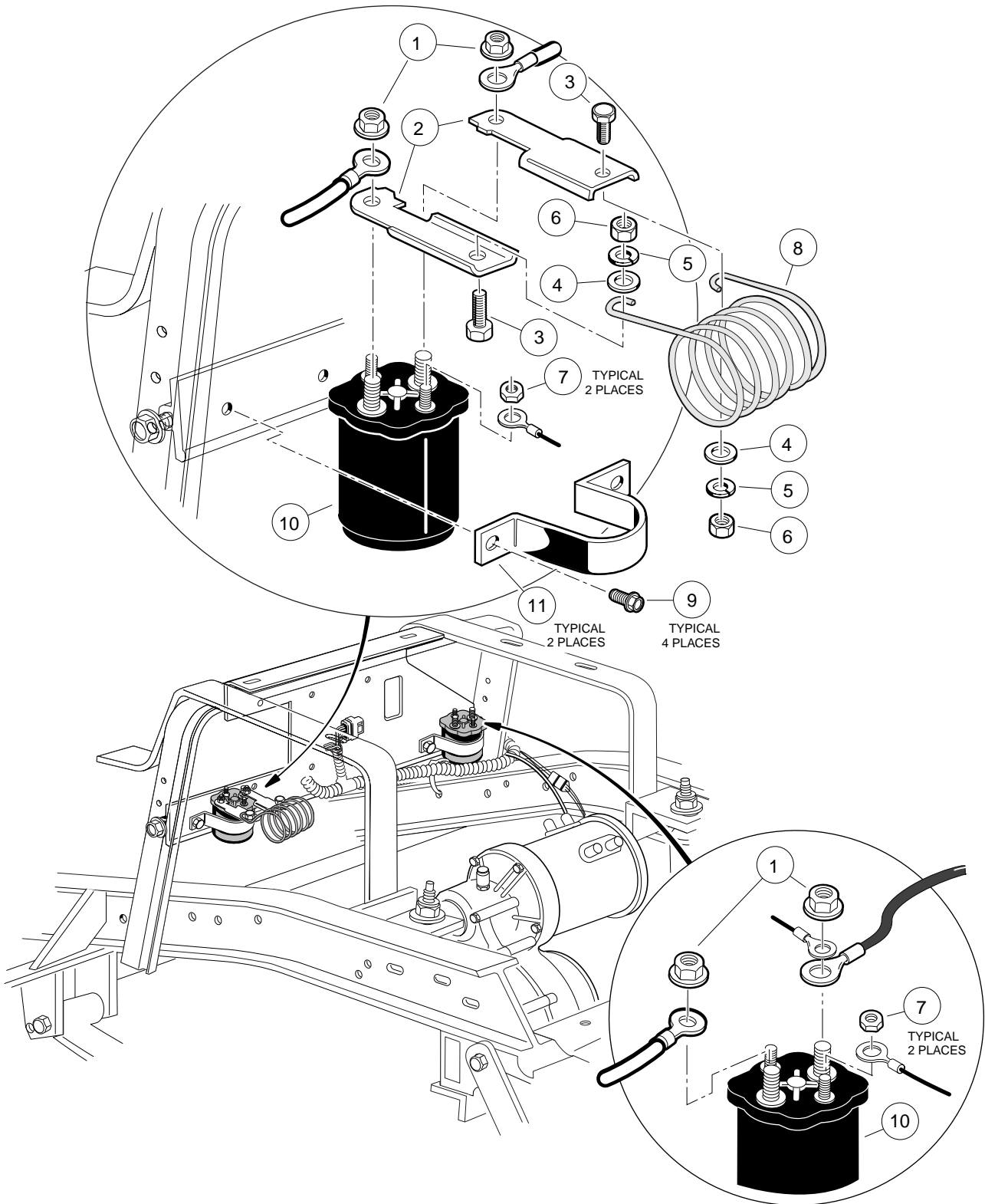


BATTERIES, CHARGER RECEPTACLE— POWERDRIVE PLUS VEHICLE

ITEM	PART NO.	DESCRIPTION	QTY
		1 2 3 4	
1	101802101	KIT, FUSE AND RECEPTACLE (INCLUDES ITEMS 2 - 9)	1
2	101796501	BEZEL, RECEPTACLE	1
3	N/A	WIRE ASSEMBLY, SENSE LEAD, GRAY	1
4	N/A	WIRE ASSEMBLY, #10 RED	1
5	N/A	WIRE ASSEMBLY, #10 BLACK	1
6	101796801	ASSEMBLY, FUSE, 48-VOLT (INCLUDES ITEM 7)	1
7	1013061	NUT, NYLON LOCK, #10	2
8	1017705	SCREW, PHILLIPS PAN HEAD, #8 TYPE AB	3
9	101894901	FUSE, 3/8-AMP	1
10	101801001	PLATE, RECEPTACLE BACKING	1
11	101832001	SCREW, PHILLIPS PAN HEAD, #7 - 18 x 3/4	4
12	101797701	BATTERY, 8-VOLT POWERDRIVE	6
12	101797702	BATTERY, 8-VOLT POWERDRIVE, DRY	6
13	101797801	CAP, BATTERY, 4-PORT GANG	6
14	101795701	WIRE ASSEMBLY, #6 BLACK	5
15	1014304	NUT, HEX, STAINLESS STEEL, 5/16 - 18	12
16	101090801	HOLD-DOWN, BATTERY	3
17	1015072	NUT, NYLON LOCK, STAINLESS STEEL, 5/16 - 18	6
18	1011578	WASHER, FLAT, TYPE B WIDE, 5/16	6
19	1013683	J-BOLT	6

12

E

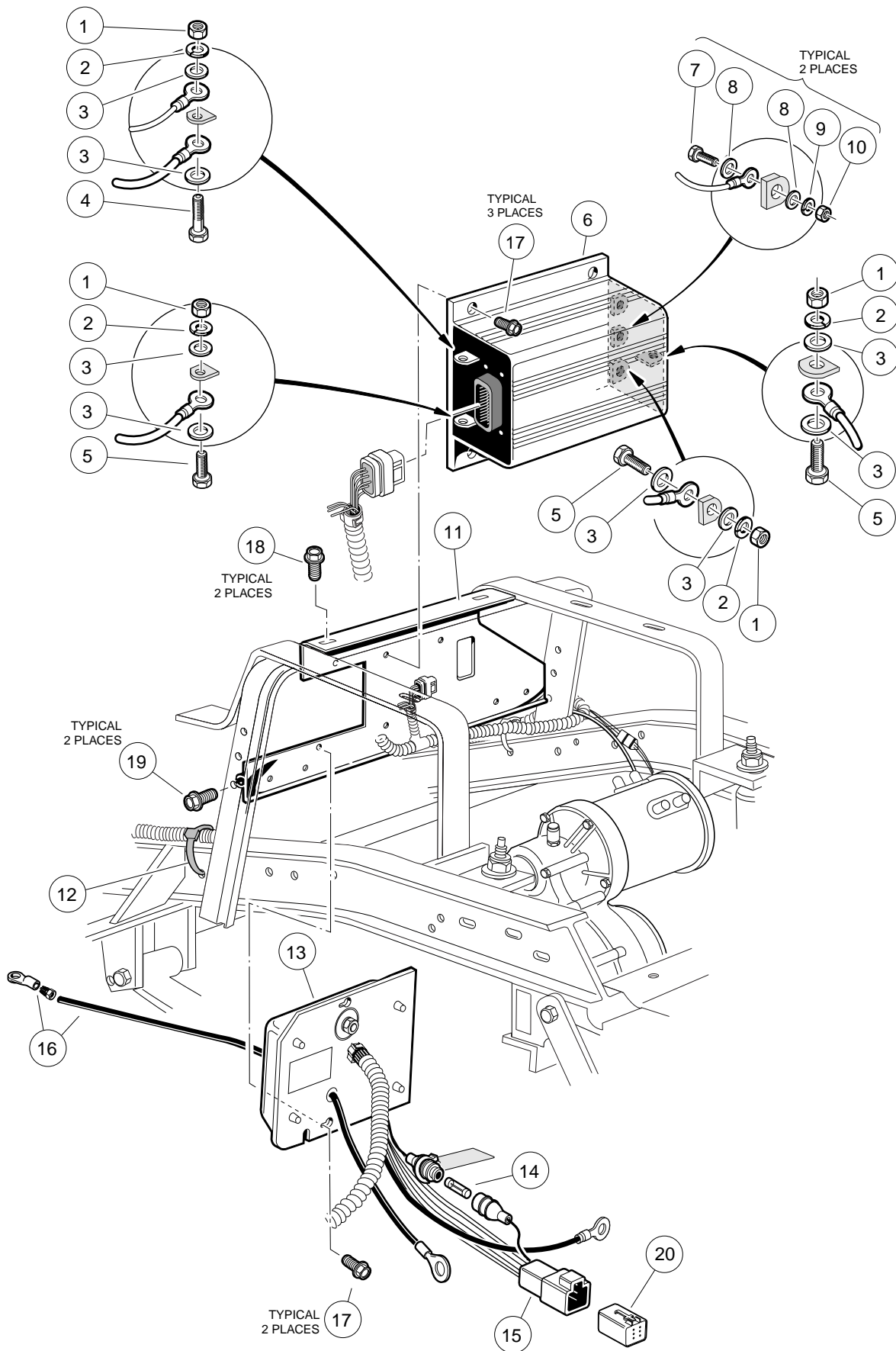


SOLENOIDS, ENERGY DISPLACEMENT MODULE— POWERDRIVE PLUS VEHICLE

ITEM	PART NO.	DESCRIPTION	QTY
		1 2 3 4	
1	1017237	NUT, HEX FLANGED LOCK, 5/16 - 24	4
2	101888201	TAB, MOUNTING	2
3	1015069	SCREW, HEX HEAD CAP, 1/4 - 20 x 3/4	2
4	1011931	WASHER, FLAT, 1/4	2
5	451	WASHER, LOCK, 1/4	2
6	1028	NUT, HEX, 1/4 - 20	2
7	1018028	NUT, SERRATED, #10 - 32	4
8	101964401	MODULE, ENERGY DISPLACEMENT	1
9	1012285	SCREW, THREAD-ROLLING, 1/4 - 20 x 5/8	4
10	101883601	SOLENOID, 48-VOLT (WITH MOUNTING BRACKET)	2
11	101957901	BRACKET, MOUNTING	2

12

E



CONTROLLER, ONBOARD COMPUTER— POWERDRIVE PLUS VEHICLE

ITEM	PART NO.	DESCRIPTION	QTY
		1 2 3 4	
1	1242	NUT, HEX, 5/16 - 18	4
2	7174	WASHER, LOCK, 5/16	4
3	1241	WASHER, FLAT, 5/16	8
4	1218	SCREW, HEX HEAD CAP, 5/16 - 18 x 1-1/4	1
5	7173	SCREW, HEX HEAD CAP, 5/16 - 18 x 3/4	3
6	101887901	CONTROLLER, 48-VOLT (220-AMP)	1
7	8450	SCREW, HEX HEAD MACHINE, #10 - 24 x 1/2	2
8	1018038	WASHER, #10	4
9	1016175	WASHER, LOCK, #10	2
10	1017	NUT, HEX, #10 - 24	2
11	101965201	PLATE, COMPONENT MOUNTING	1
12	8990	TIE, WIRE	A/R
13	101909902	COMPUTER, ONBOARD (INCLUDES ITEMS 14 AND 15)	1
14	101894901	FUSE, 3/8-AMP	1
15	101932601	KIT, 6-PIN RECEPTACLE	1
16	101827801	KIT, WIRE AND TERMINAL, #6 BLACK	1
17	1012285	SCREW, THREAD-ROLLING, 1/4 - 20 x 5/8	5
18	1014288	SCREW, THREAD-FORMING, 5/16 - 18 x 3/4	2
19	101910401	SCREW, THREAD-FORMING, 5/16 - 18 x 1-1/4	2
20	101932701	KIT, 6-PIN PLUG ASSEMBLY	1

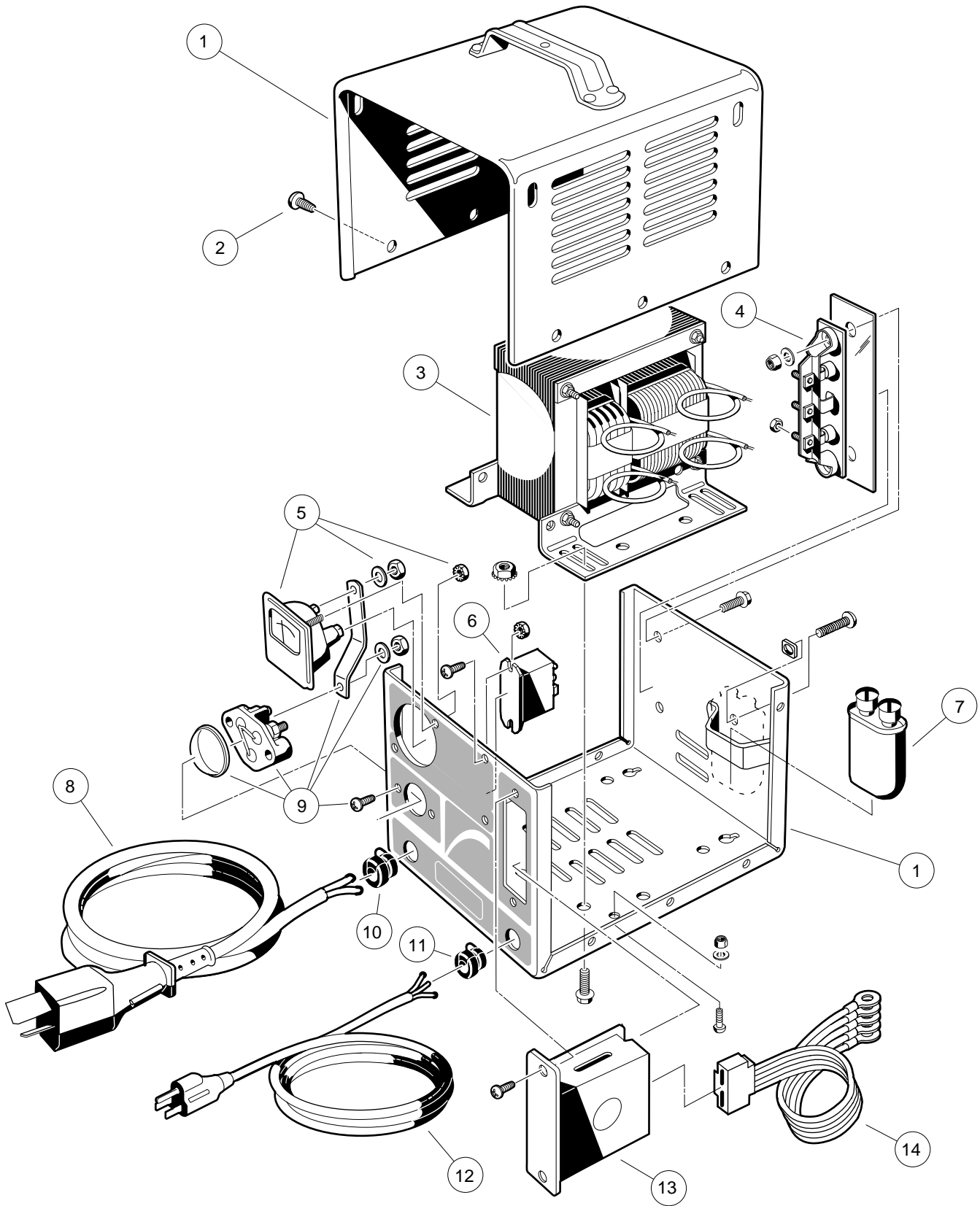
12

E

BATTERY CHARGER

13

E

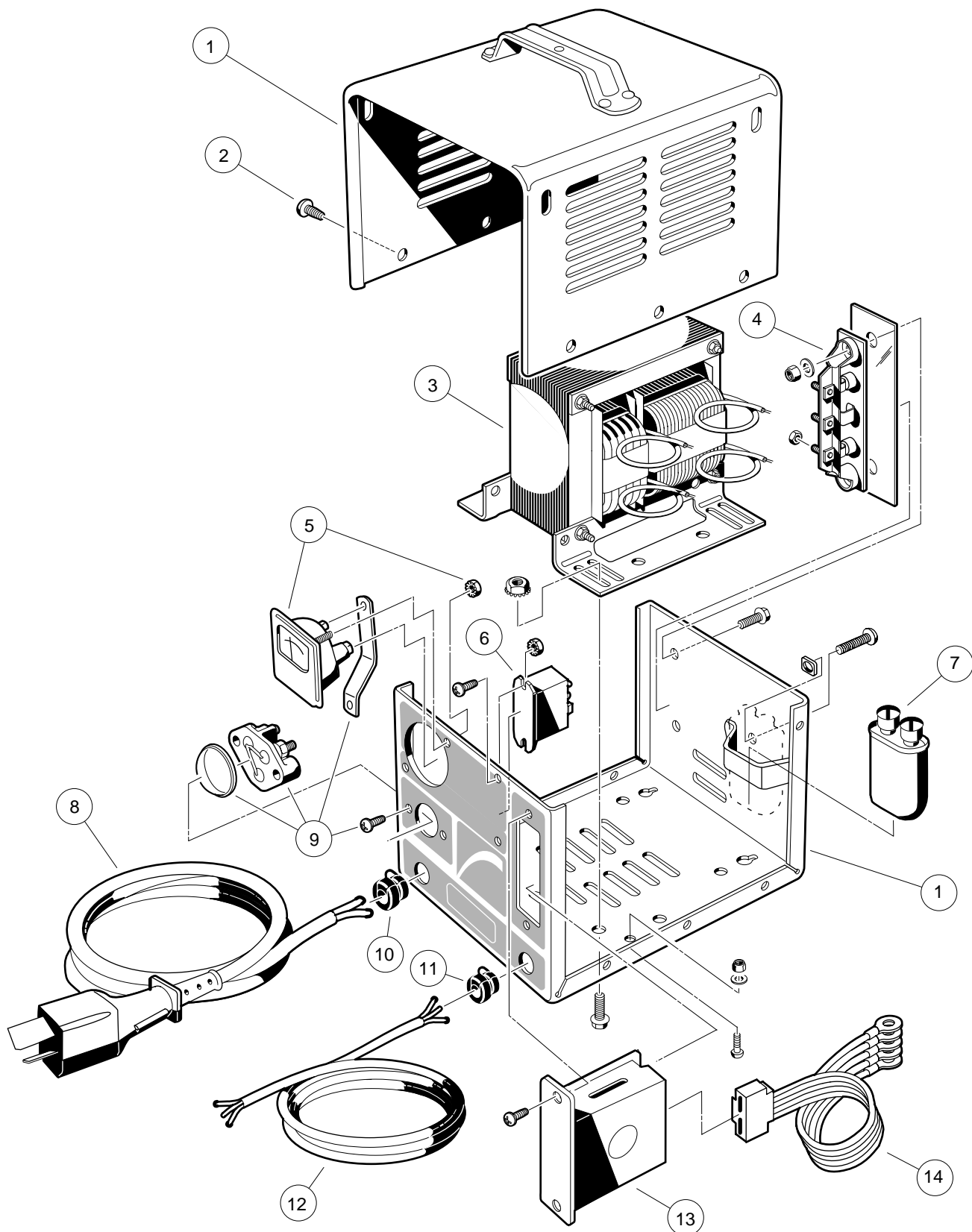


ACCU-POWER CHARGER, DOMESTIC— V-GLIDE 36-VOLT VEHICLE

13

E

ITEM	PART NO.	DESCRIPTION	QTY
		1 2 3 4	
	101646401	CHARGER, ACCU-POWER, DOMESTIC, 120-VAC, 36-VDC, 60-HZ (MODEL NUMBER 13800-11) (INCLUDES ITEMS 1 - 14) 108 IN. DC CORD, 72 IN. AC CORD	1
1	1015907	ASSEMBLY, CASE (INCLUDES FASTENERS)	1
2	7577	SCREW, PAN HEAD, SELF-TAPPING, #10 - 16 x 1/2	10
3	1015912	ASSEMBLY, TRANSFORMER	1
4	1015914	ASSEMBLY, HEATSINK, WITH DIODES (INCLUDES MOUNTING HARDWARE)	1
5	1015905	AMMETER (INCLUDES MOUNTING HARDWARE)	1
6	1015911	RELAY, 36-VDC	1
7	1015910	CAPACITOR	1
8	101643301	CORDSET, DC, 108 IN. LONG (STANDARD) 12-AWG	1
8	101643302	CORDSET, DC, 146 IN. LONG, 10-AWG	1
8	101643303	CORDSET, DC, 242 IN. LONG, 10-AWG	1
9	1012101	ASSEMBLY, FUSE (INCLUDES HARDWARE)	1
10	1012098	BUSHING, STRAIN RELIEF, 12-AWG DC CORD	1
10	1012042	BUSHING, STRAIN RELIEF, 10-AWG DC CORD	1
11	1015917	BUSHING, STRAIN RELIEF, AC CORD	1
12	101591601	CORDSET, AC, 72 IN. LONG (STANDARD)	1
12	101591602	CORDSET, AC, 108 IN. LONG	1
13	1015906	ASSEMBLY, TIMER KIT (INCLUDES MOUNTING HARDWARE)	1
14	1015913	ASSEMBLY, CONTROL CABLE	1

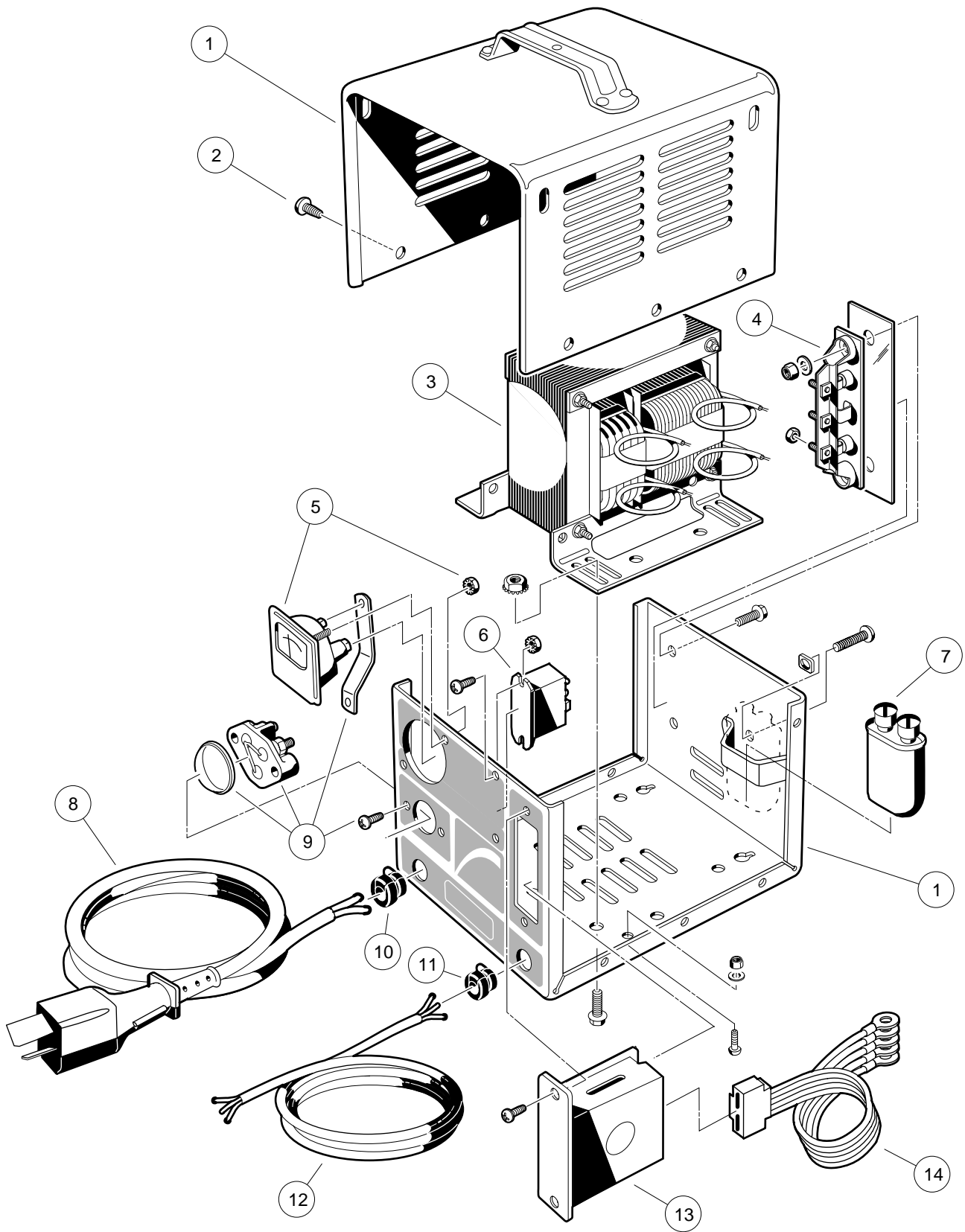


ACCU-POWER CHARGER, EXPORT, 230-VOLT— V-GLIDE 36-VOLT VEHICLE

ITEM	PART NO.	DESCRIPTION	QTY
		1 2 3 4	
	101643401	CHARGER, ACCU-POWER, EXPORT, 230-VAC, 36-VDC, 50-HZ (MODEL NUMBER 14410-11) (INCLUDES ITEMS 1 - 14) 108 IN. DC CORD, 108 IN. AC CORD	1
1	1015940	ASSEMBLY, CASE (INCLUDES FASTENERS)	1
2	7577	SCREW, PAN HEAD, SELF-TAPPING, #10 - 16 x 1/2	10
3	1015936	ASSEMBLY, TRANSFORMER	1
4	1015914	ASSEMBLY, HEATSINK, WITH DIODES (INCLUDES MOUNTING HARDWARE)	1
5	1015905	AMMETER (INCLUDES MOUNTING HARDWARE)	1
6	1015911	RELAY, 36-VDC	1
7	1015910	CAPACITOR	1
8	101643301	CORDSET, DC, 108 IN. LONG, 12-AWG (STANDARD)	1
8	101643302	CORDSET, DC, 146 IN. LONG, 10-AWG	1
8	101643303	CORDSET, DC, 242 IN. LONG, 10-AWG	1
9	1012101	ASSEMBLY, FUSE (INCLUDES MOUNTING HARDWARE)	1
10	1012098	BUSHING, STRAIN RELIEF, 12-AWG DC CORD	1
10	1012042	BUSHING, STRAIN RELIEF, 10-AWG DC CORD	1
11	1015917	BUSHING, STRAIN RELIEF, AC CORD	1
12	1014696	CORDSET, AC, 108 IN. LONG (STANDARD)	1
13	1015906	ASSEMBLY, TIMER KIT (INCLUDES MOUNTING HARDWARE)	1
14	1015913	ASSEMBLY, CONTROL CABLE	1

13

E

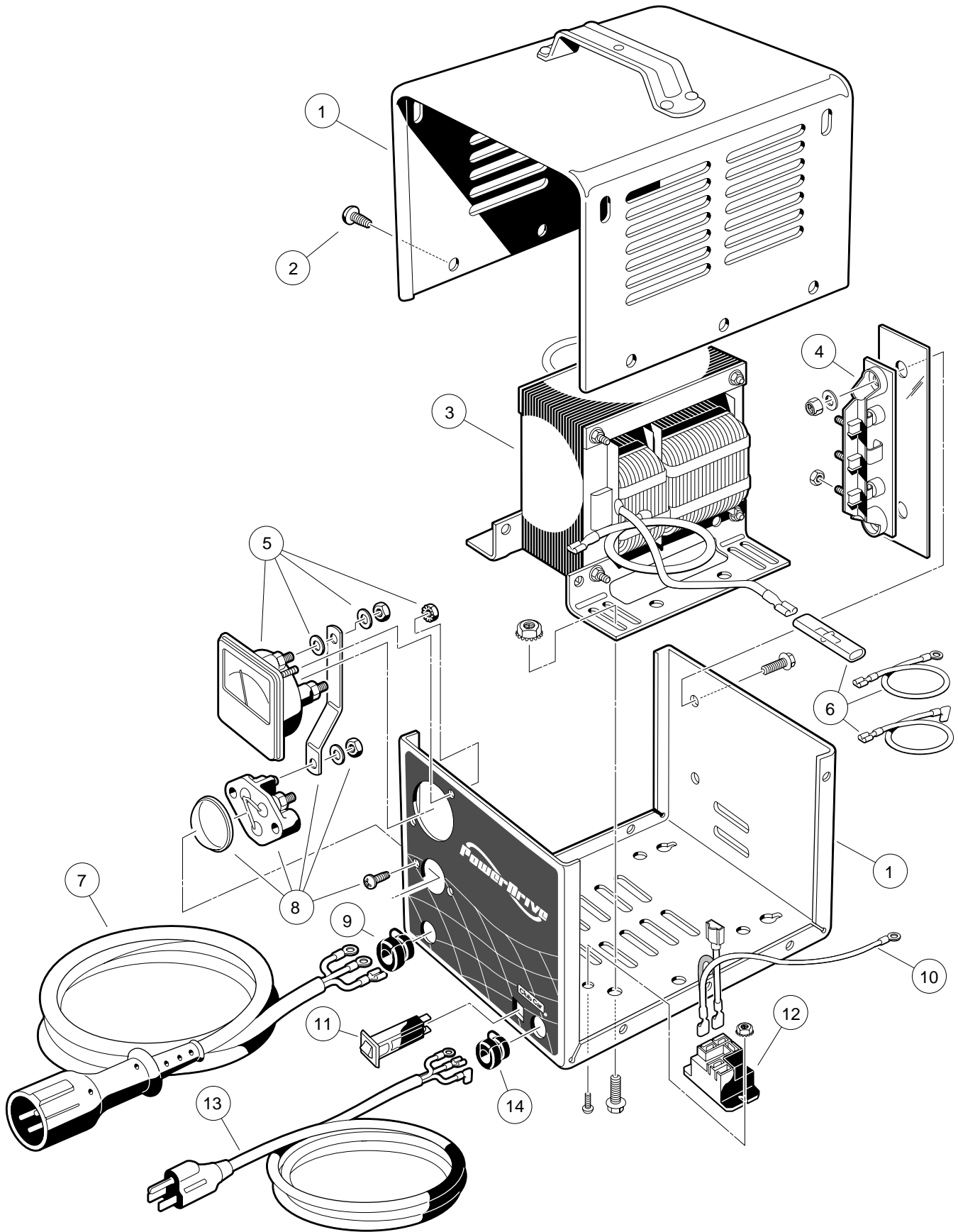


ACCU-POWER CHARGER, EXPORT, 100-VOLT— V-GLIDE 36-VOLT VEHICLE

ITEM	PART NO.	DESCRIPTION	QTY
		1 2 3 4	
	101646201	CHARGER, ACCU-POWER, EXPORT, 100-VAC, 36-VDC, 50-HZ (MODEL NUMBER 14900) (INCLUDES ITEMS 1 - 14) 108 IN. DC CORD, 108 IN. AC CORD	1
1	101590703	ASSEMBLY, CASE (INCLUDES FASTENERS)	1
2	7577	SCREW, PAN HEAD, SELF-TAPPING, #10 - 16 x 1/2	10
3	1016336	ASSEMBLY, TRANSFORMER	1
4	1015914	ASSEMBLY, HEATSINK, WITH DIODES (INCLUDES MOUNTING HARDWARE)	1
5	1015905	AMMETER (INCLUDES MOUNTING HARDWARE)	1
6	1015911	RELAY, 36-VDC	1
7	1015939	CAPACITOR	1
8	101643301	CORDSET, DC, 108 IN. LONG, 12-AWG (STANDARD)	1
8	101643302	CORDSET, DC, 146 IN. LONG, 10-AWG	1
8	101643303	CORDSET, DC, 242 IN. LONG, 10-AWG	1
9	1012101	ASSEMBLY, FUSE (INCLUDES MOUNTING HARDWARE)	1
10	1012098	BUSHING, STRAIN RELIEF, 12-AWG DC CORD	1
10	1012042	BUSHING, STRAIN RELIEF, 10-AWG DC CORD	1
11	1015917	BUSHING, STRAIN RELIEF, AC CORD	1
12	1016282	CORDSET, AC, 108 IN. LONG	1
13	1015906	ASSEMBLY, TIMER KIT (INCLUDES MOUNTING HARDWARE)	1
14	1015913	ASSEMBLY, CONTROL CABLE	1

13

E

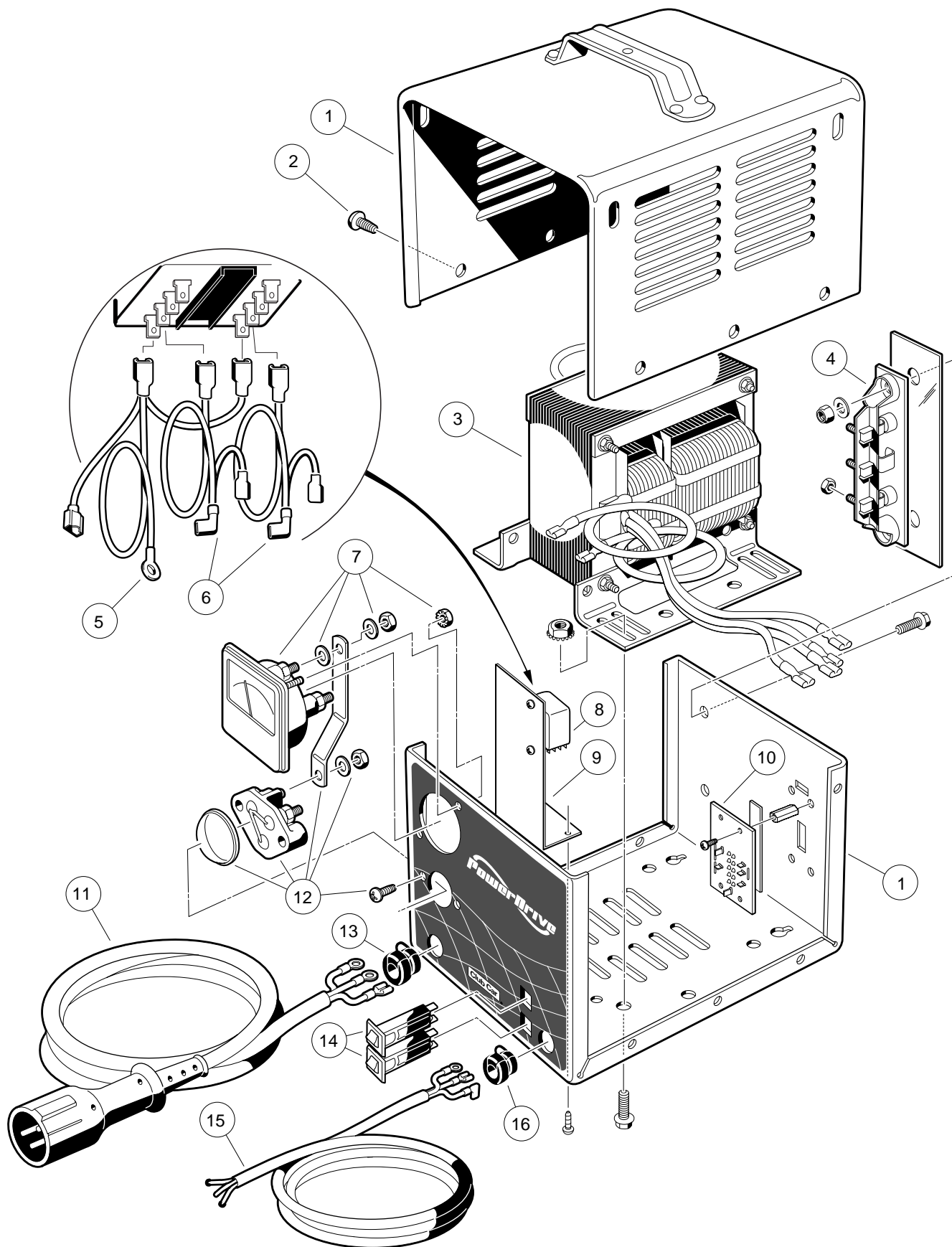


POWERDRIVE CHARGER, DOMESTIC— POWERDRIVE SYSTEM 48 AND POWERDRIVE PLUS

13

E

ITEM	PART NO.	DESCRIPTION	QTY
		1 2 3 4	
	101802201	CHARGER, BATTERY, POWERDRIVE, DOMESTIC 120-VAC 48-VDC 60-HZ (MODEL NUMBER 17930-11) (INCLUDES ITEMS 1 - 14) 103 IN. DC CORD WITH MALE 3-PIN PLUG, 12-AWG 74 IN. AC CORD WITH MALE GROUNDED PLUG	1
	101802202	CHARGER, BATTERY, POWERDRIVE 120-VAC 48-VDC 60-HZ (MODEL NUMBER 17930-18) (INCLUDES ITEMS 1 - 14) 144 IN. DC CORD WITH MALE 3-PIN PLUG, 12-AWG 108 IN. AC CORD WITH MALE GROUNDED PLUG	1
	101802203	CHARGER, BATTERY, POWERDRIVE 120-VAC 48-VDC 60-HZ (MODEL NUMBER 17930-19) (INCLUDES ITEMS 1 - 14) 240 IN. DC CORD WITH MALE 3-PIN PLUG, 12-AWG 108 IN. AC CORD WITH MALE GROUNDED PLUG	1
1	101828301	ASSEMBLY, CASE (INCLUDES FASTENERS)	1
2	7577	SCREW, PAN HEAD, SELF-TAPPING, #10 - 16 x 1/2	10
3	101819701	ASSEMBLY, TRANSFORMER	1
4	1015914	ASSEMBLY, HEATSINK, WITH DIODES (INCLUDES MOUNTING HARDWARE)	1
5	101828501	AMMETER (INCLUDES MOUNTING HARDWARE)	1
6	101831101	KIT, WIRE ASSEMBLY	1
7	101828901	CORDSET, DC, 113 IN. LONG WITH MALE 3-PIN PLUG, 12-AWG	1
7	101828902	CORDSET, DC, 154 IN. LONG WITH MALE 3-PIN PLUG, 12-AWG	1
7	101828903	CORDSET, DC, 250 IN. LONG WITH MALE 3-PIN PLUG, 12-AWG	1
8	1012101	ASSEMBLY, FUSE (INCLUDES MOUNTING HARDWARE)	1
9	1012098	BUSHING, STRAIN RELIEF, DC CORD, 12-AWG	1
10	101914401	ASSEMBLY, VOLTAGE SUPPRESSOR	1
11	101828701	BREAKER, CIRCUIT, 15-AMP	1
12	101828601	RELAY, POWER, 48-VDC	1
13	101828801	CORDSET, AC, 80 IN. LONG	1
13	101828802	CORDSET, AC, 116 IN. LONG	1
14	1015917	BUSHING, STRAIN RELIEF, AC CORD	1

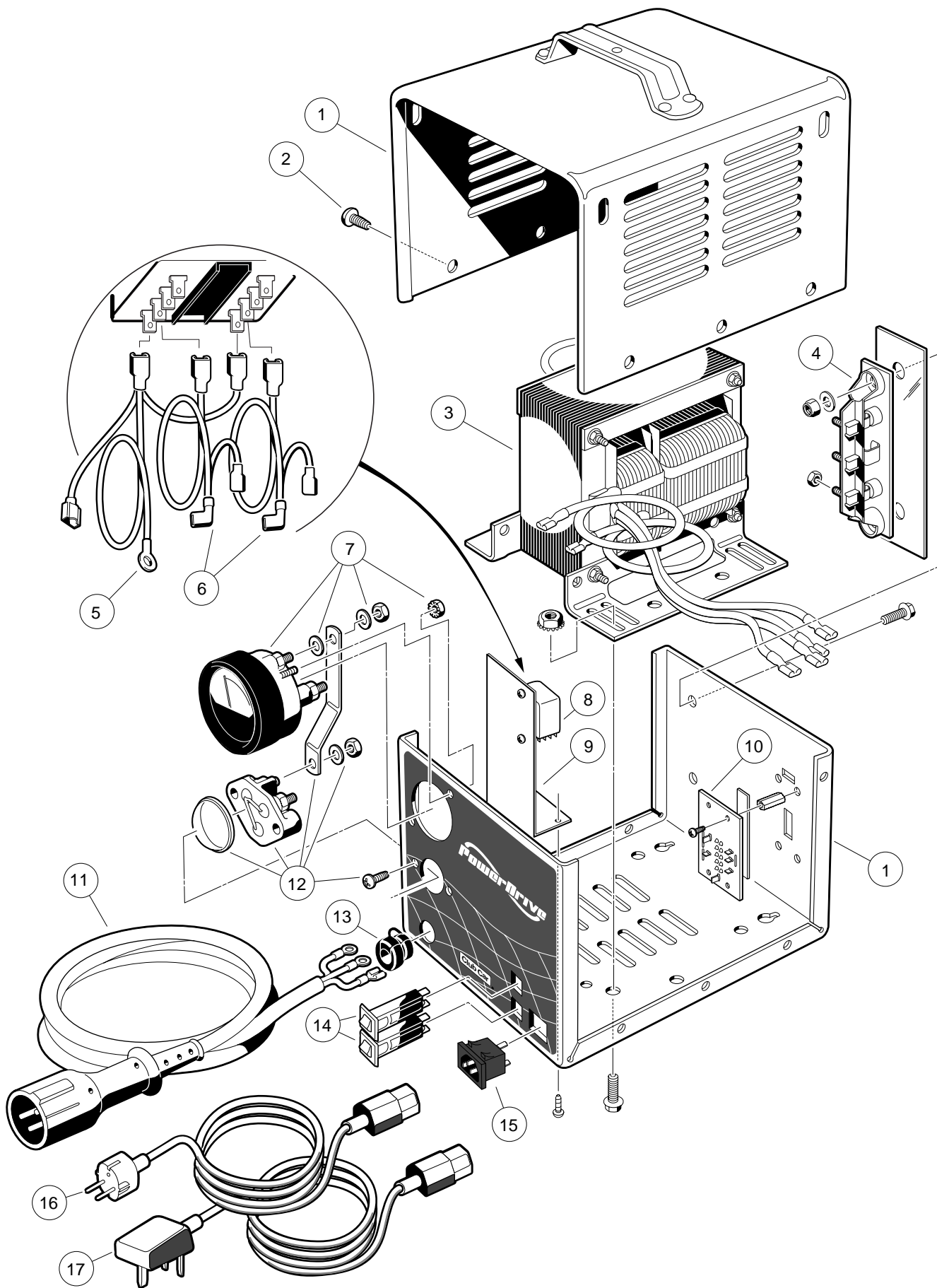


POWERDRIVE CHARGER, EXPORT— POWERDRIVE SYSTEM 48 AND POWERDRIVE PLUS

13

E

ITEM	PART NO.	DESCRIPTION	QTY
		1 2 3 4	
	101831503	CHARGER, BATTERY, POWERDRIVE, EXPORT WITH 4-POSITION SWITCH 100 - 200 - 220 - 240 VAC, 48-VDC 50/60-HZ (MODEL NUMBER 18780-11) (INCLUDES ITEMS 1 - 16) 103 IN. DC CORD WITH MALE 3-PIN PLUG, 12-AWG 74 IN. AC CORD WITH NO PLUG	1
	101831504	CHARGER, BATTERY, POWERDRIVE EXPORT WITH 4-POSITION SWITCH 100 - 200 - 220 - 240 VAC, 48-VDC 50/60-HZ (MODEL NUMBER 18780-18) (INCLUDES ITEMS 1 - 16) 144 IN. DC CORD WITH MALE 3-PIN PLUG, 12-AWG 108 IN. AC CORD WITH NO PLUG	1
1	N/A	ASSEMBLY, CASE (INCLUDES FASTENERS)	1
2	7577	SCREW, PAN HEAD, SELF-TAPPING, #10 - 16 x 1/2	10
3	101838201	ASSEMBLY, TRANSFORMER	1
4	1015914	ASSEMBLY, HEATSINK, WITH DIODES (INCLUDES MOUNTING HARDWARE)	1
5	101914401	ASSEMBLY, VOLTAGE SUPPRESSOR	1
6	101838501	KIT, WIRE ASSEMBLY	1
7	101828501	AMMETER (INCLUDES HARDWARE)	1
8	101838301	RELAY, POWER, 48-VDC (INCLUDES MOUNTING HARDWARE)	1
9	101838701	BRACKET, POWER RELAY MOUNTING	1
10	101838601	SWITCH, 4-POSITION, SLIDE	1
11	101828901	CORDSET, DC, 113 IN. LONG WITH MALE 3-PIN PLUG, 12-AWG	1
11	101828902	CORDSET, DC, 154 IN. LONG WITH MALE 3-PIN PLUG, 12-AWG	1
11	101828903	CORDSET, DC, 250 IN. LONG WITH MALE 3-PIN PLUG, 12-AWG	1
12	1012101	ASSEMBLY, FUSE (INCLUDES HARDWARE)	1
13	1012098	BUSHING, STRAIN RELIEF, DC CORD, 12-AWG	1
14	101838401	BREAKER, CIRCUIT, 15-AMP	2
15	101831701	CORDSET, AC, 80 IN. LONG, WITH LEADS (NO PLUG)	1
15	101831702	CORDSET, AC, 116 IN. LONG, WITH LEADS (NO PLUG)	1
16	1015917	BUSHING, STRAIN RELIEF, AC CORD	1



POWERDRIVE CHARGER, EUROPEAN— POWERDRIVE SYSTEM 48 AND POWERDRIVE PLUS

ITEM	PART NO.	DESCRIPTION	QTY
		1 2 3 4	
	101956201	CHARGER, BATTERY, POWERDRIVE, EUROPEAN WITH 4-POSITION SWITCH 100 - 200 - 220 - 240 VAC, 48-VDC 50/60-HZ (MODEL NUMBER 20300) (INCLUDES ITEMS 1 - 15) 103 IN. DC CORD WITH MALE 3-PIN PLUG, 12-AWG	1
	101956202	CHARGER, BATTERY, POWERDRIVE EUROPEAN WITH 4-POSITION SWITCH 100 - 200 - 220 - 240 VAC, 48-VDC 50/60-HZ (MODEL NUMBER 20310) (INCLUDES ITEMS 1 - 15) 144 IN. DC CORD WITH MALE 3-PIN PLUG, 12-AWG	1
1	N/A	ASSEMBLY, CASE (INCLUDES FASTENERS)	1
2	7577	SCREW, PAN HEAD, SELF-TAPPING, #10 - 16 x 1/2	10
3	101838201	ASSEMBLY, TRANSFORMER	1
4	1015914	ASSEMBLY, HEATSINK, WITH DIODES (INCLUDES MOUNTING HARDWARE)	1
5	101914401	ASSEMBLY, VOLTAGE SUPPRESSOR	1
6	101838501	KIT, WIRE ASSEMBLY	1
7	101976601	AMMETER (INCLUDES HARDWARE)	1
8	101987501	RELAY, POWER, 48-VDC (INCLUDES MOUNTING HARDWARE)	1
9	101838701	BRACKET, POWER RELAY MOUNTING	1
10	101838601	SWITCH, 4-POSITION, SLIDE	1
11	101828901	CORDSET, DC, 103 IN. LONG WITH MALE 3-PIN PLUG, 12-AWG	1
11	101828902	CORDSET, DC, 144 IN. LONG WITH MALE 3-PIN PLUG, 12-AWG	1
11	101828903	CORDSET, DC, 250 IN. LONG WITH MALE 3-PIN PLUG, 12-AWG	1
12	1012101	ASSEMBLY, FUSE (INCLUDES HARDWARE)	1
13	1012098	BUSHING, STRAIN RELIEF, DC CORD, 12-AWG	1
14	101838401	BREAKER, CIRCUIT, 15-AMP	2
15	101973501	RECEPTACLE, AC CORD	1
16	101958301	CORDSET, AC, CONTINENTAL EUROPE, 96 IN. LONG (WITH MALE 2-PIN PLUG)	1
17	101958201	CORDSET, AC, U.K., 96 IN. LONG (WITH MALE 3-PIN PLUG)	1

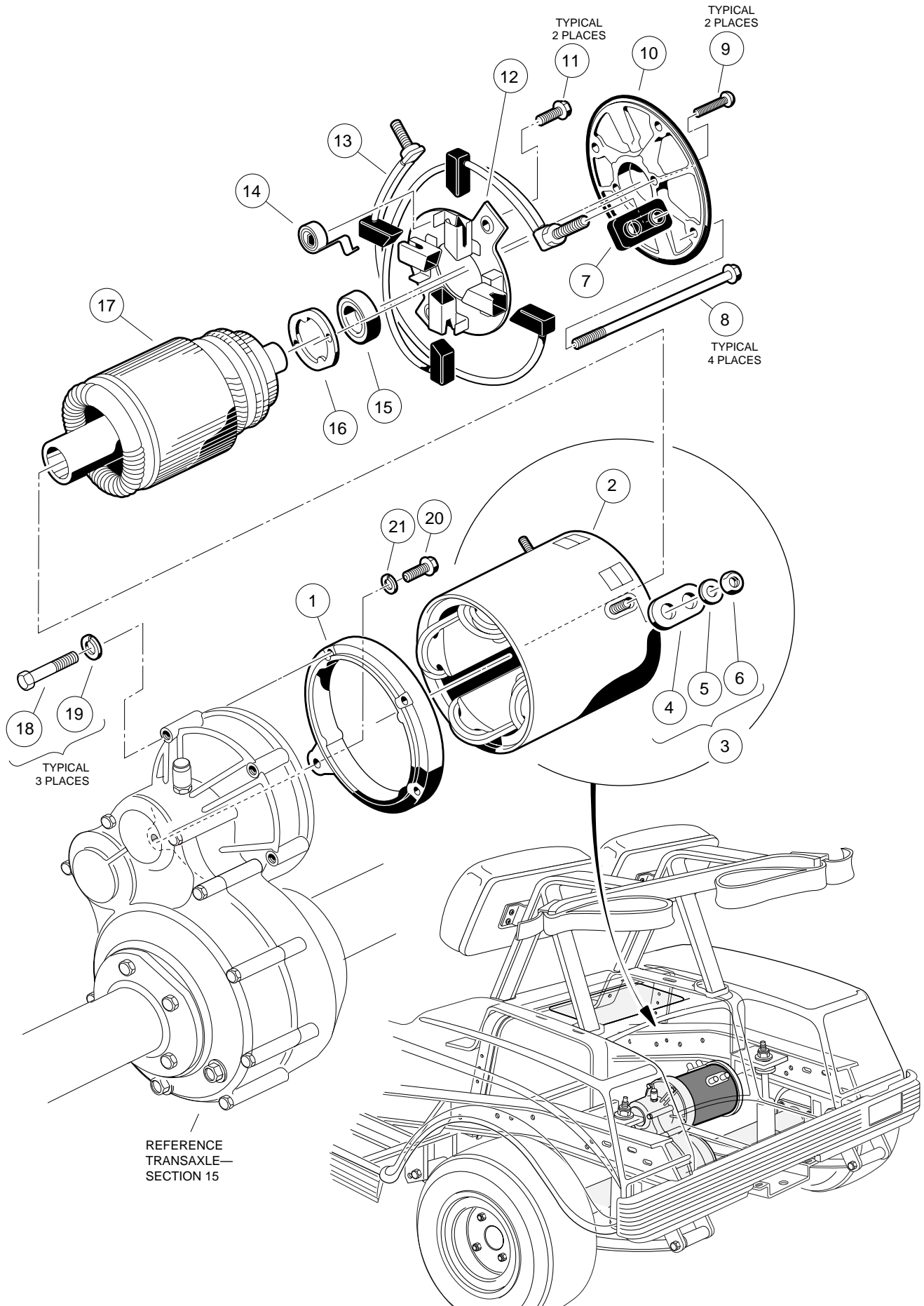
13

E

ELECTRIC MOTOR

14

E

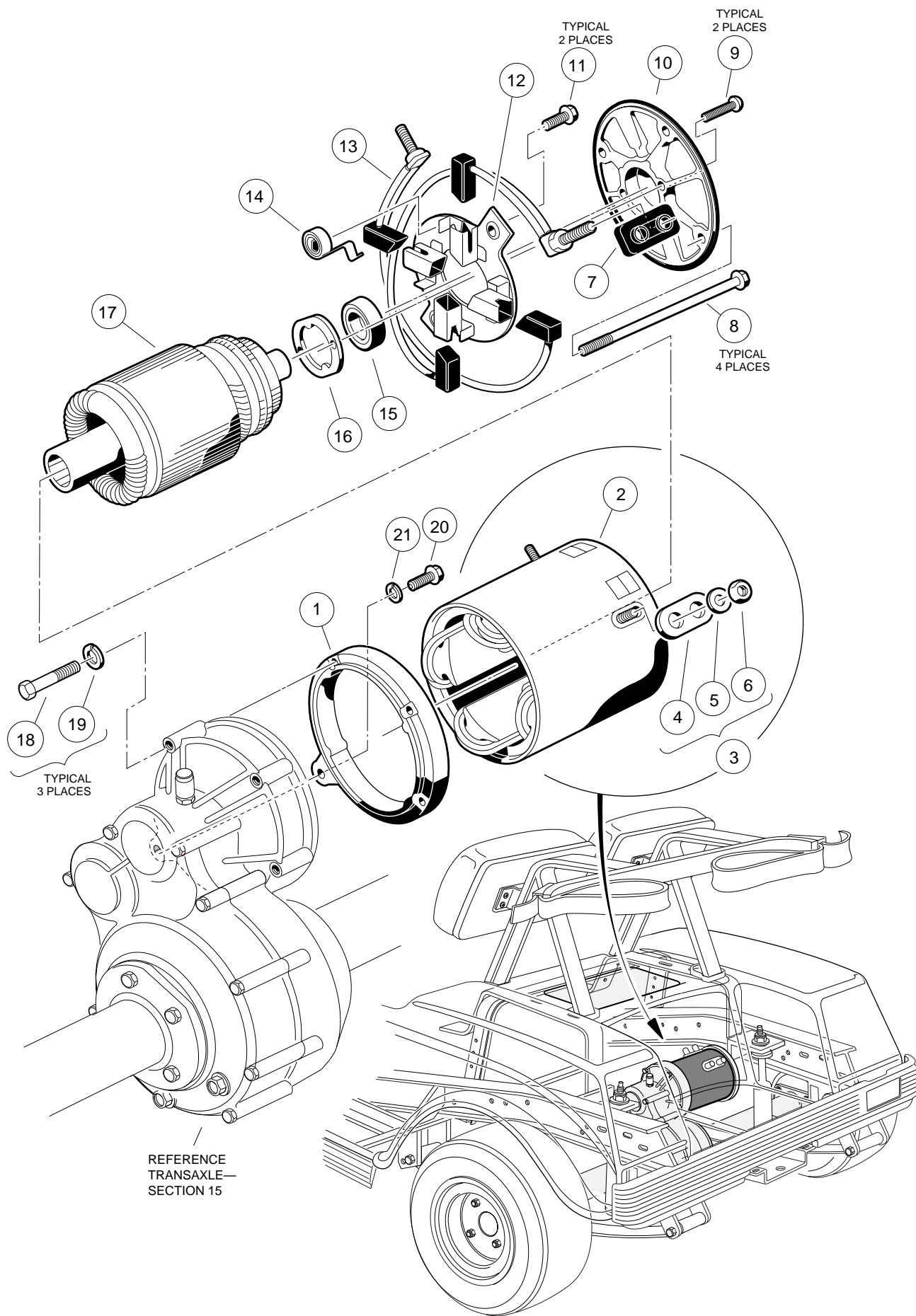


MOTOR—V-GLIDE 36-VOLT VEHICLE

ITEM	PART NO.	DESCRIPTION	QTY
		1 2 3 4	
	101772801	ASSEMBLY, 36-VOLT MOTOR, 2.97-HP (INCLUDES ITEMS 1 - 17)	1
1	1017944	SHIELD, END	1
2	1017945	ASSEMBLY, STATOR SHELL AND WINDING	1
3	1017947	PACKAGE, HARDWARE (INCLUDES ITEMS 4 - 7)	1
4	N/A	BUSHING, INSULATOR	2
5	N/A	WASHER, FLAT, 5/16	4
6	N/A	NUT, HEX, 5/16 - 18	4
7	N/A	BUSHING, INSULATOR	2
8	1017952	SCREW, CLAMP	4
9	1017953	SCREW, BEARING RETAINER	2
10	1017951	SHIELD, END	1
11	1017949	SCREW, BRUSH HOLDER	2
12	1017948	RIGGING, BRUSH	1
13	1017946	PACKAGE, BRUSH (2 PIECES) (INCLUDES 4 BRUSHES)	1
14	1011411	PACKAGE, BRUSH SPRING (4 PIECES)	1
15	1011290	BEARING, BALL	1
16	1017950	RETAINER, BEARING	1
17	N/A	ARMATURE	1
18	1014201	BOLT, HEX HEAD, 1/4 - 20 x 2 1/4	3
19	451	WASHER, LOCK, 1/4	3
20	1010934	BOLT, HEX HEAD, 5/16 - 18 x 1	1
21	7174	WASHER, LOCK, 5/16	1

14

E

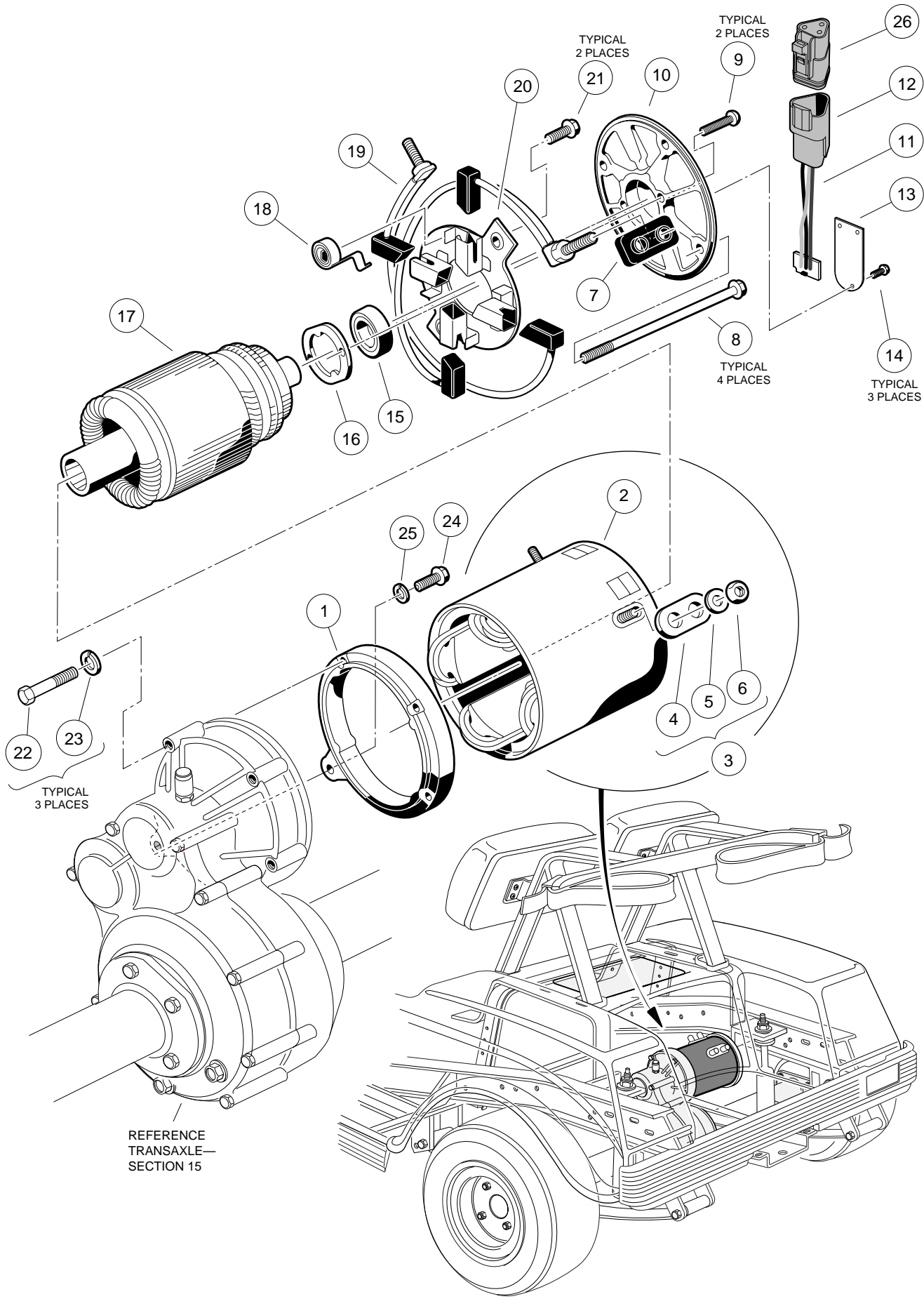


MOTOR—POWERDRIVE SYSTEM 48 VEHICLE

ITEM	PART NO.	DESCRIPTION	QTY
		1 2 3 4	
	101785701	ASSEMBLY, 48-VOLT MOTOR, 3.10-HP (INCLUDES ITEMS 1 - 17)	1
1	1017944	SHIELD, END	1
2	1017958	ASSEMBLY, STATOR SHELL AND WINDING	1
3	1017947	PACKAGE, HARDWARE (INCLUDES ITEMS 4 - 7)	1
4	N/A	BUSHING, INSULATOR	2
5	N/A	WASHER, FLAT, 5/16	4
6	N/A	NUT, HEX, 5/16 - 18	4
7	N/A	BUSHING, INSULATOR	2
8	1017961	SCREW, CLAMP	4
9	1017953	SCREW, BEARING RETAINER	2
10	1017951	SHIELD, END	1
11	1017949	SCREW, BRUSH HOLDER	2
12	1017948	RIGGING, BRUSH	1
13	1017946	PACKAGE, BRUSH (2 PIECES) (INCLUDES 4 BRUSHES)	1
14	1011411	PACKAGE, BRUSH SPRING (4 PIECES)	1
15	1011290	BEARING, BALL	1
16	1017950	RETAINER, BEARING	1
17	N/A	ARMATURE	1
18	1014201	BOLT, HEX HEAD, 1/4 - 20 x 2 1/4	3
19	451	WASHER, LOCK, 1/4	3
20	1010934	BOLT, HEX HEAD, 5/16 - 18 x 1	1
21	7174	WASHER, LOCK, 5/16	1

14

E



MOTOR—POWERDRIVE PLUS VEHICLE

ITEM	PART NO.	DESCRIPTION	QTY
		1 2 3 4	
	101854501	ASSEMBLY, 48-VOLT MOTOR, 3.20-HP (INCLUDES ITEMS 1 - 21)	1
1	1017944	SHIELD, END	1
2	101879201	ASSEMBLY, STATOR SHELL AND WINDING	1
3	1017947	PACKAGE, HARDWARE (INCLUDES ITEMS 4 - 7)	1
4	N/A	BUSHING, INSULATOR	2
5	N/A	WASHER, FLAT, 5/16	4
6	N/A	NUT, HEX, 5/16 - 18	4
7	N/A	BUSHING, INSULATOR	2
8	1017961	SCREW, CLAMP, #10 - 32 x 8-5/8	4
9	1017953	SCREW, BEARING RETAINER, # 8 - 32 x 7/8	2
10	101879301	SHIELD, END (INCLUDES ITEMS 11 - 14)	1
11	101925801	SENSOR, HALL EFFECT (INCLUDES ITEM 12)	1
12	101895101	HOUSING, FEMALE 3-WIRE, GREY	1
13	N/A	PLATE, RETAINING.....	1
14	N/A	SCREW, RETAINING.....	3
15	1011290	BEARING, BALL	1
16	1017950	RETAINER, BEARING	1
17	N/A	ARMATURE	1
18	1011411	PACKAGE, BRUSH SPRING (4 PIECES)	1
19	1017946	PACKAGE, BRUSH (2 PIECES) (INCLUDES 4 BRUSHES)	1
20	1017948	RIGGING, BRUSH	1
21	1017949	SCREW, BRUSH HOLDER, #6 - 32 x 1/2	2
22	1014201	BOLT, HEX HEAD, 1/4 - 20 x 2-1/4	3
23	451	WASHER, LOCK, 1/4	3
24	1010934	BOLT, HEX HEAD, 5/16 - 18 x 1	1
25	7174	WASHER, LOCK, 5/16	1
26	101920101	KIT, 3-PIN PLUG ASSEMBLY, GRAY	1

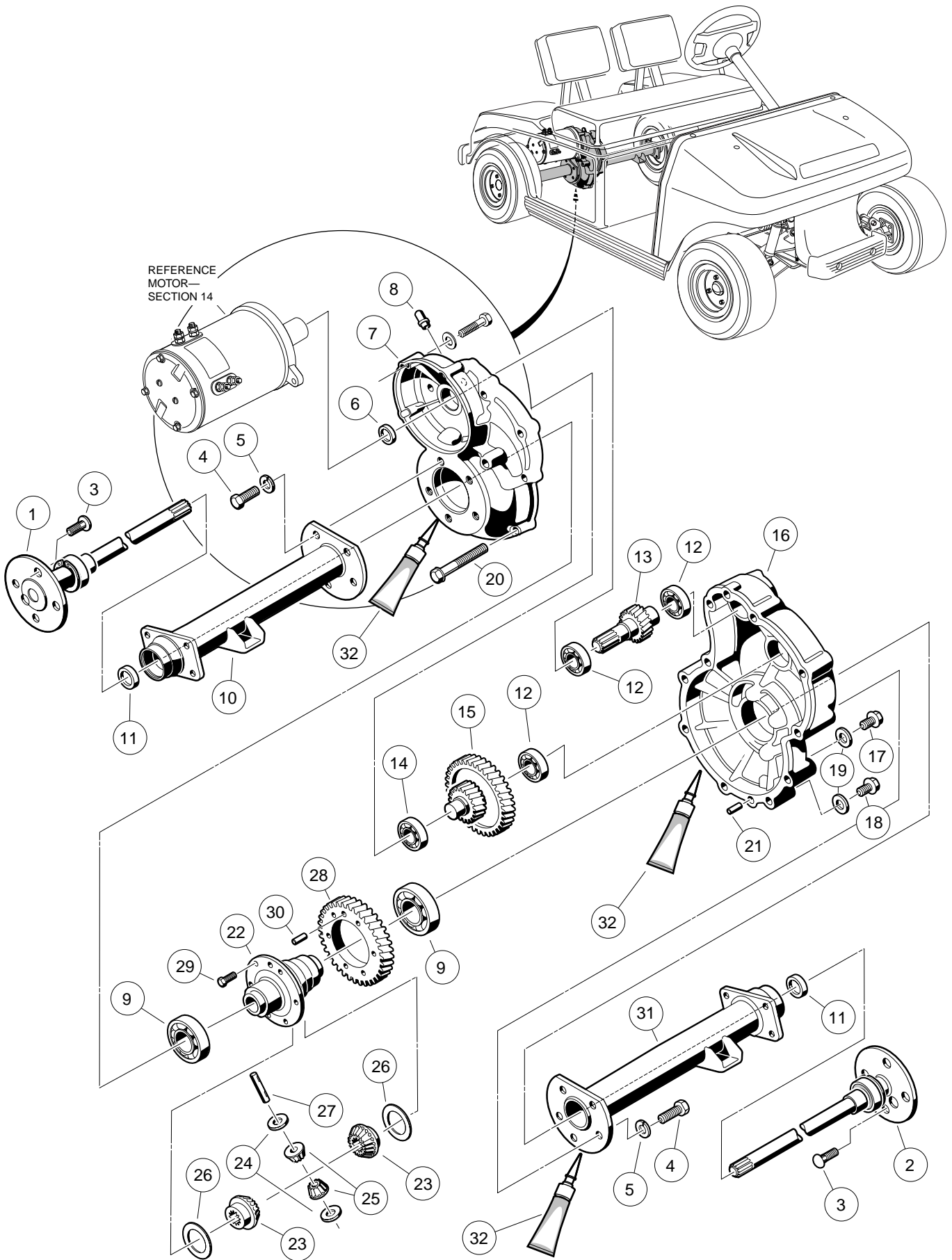
14

E

TRANSAXLE— ELECTRIC VEHICLE

15

E



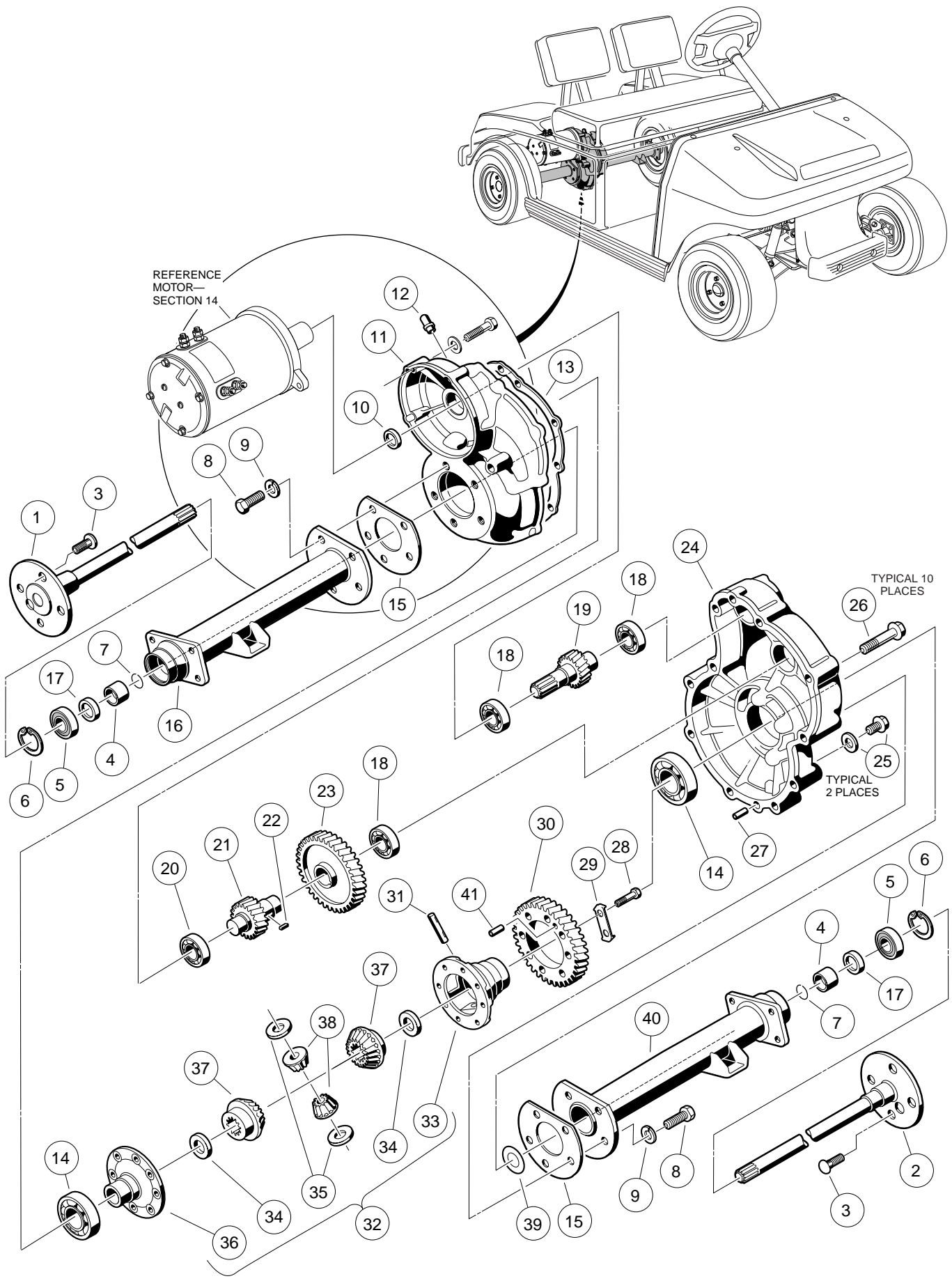
TRANSAXLE, TYPE G— ELECTRIC VEHICLE

15

E

ITEM	PART NO.	DESCRIPTION	QTY
		1 2 3 4	
	101896001	TRANSAXLE, TYPE G (INCLUDES ITEMS 1 - 32)	1
1	101895801	AXLE ASSEMBLY, PASSENGER SIDE (INCLUDES ITEM 3)	1
2	101895901	AXLE ASSEMBLY, DRIVER SIDE (INCLUDES ITEM 3)	1
3	101922201	STUD, LUG	4
4	101976001	BOLT, M10 x 1.5 x 35MM	10
5	101897901	WASHER, LOCK	10
6	101923501	SEAL, OIL, INPUT SHAFT	1
7	101895501	GEAR CASE, PASSENGER SIDE	1
8	101897201	BREATHER	1
9	7330	BEARING, DIFFERENTIAL	2
10	101895601	ASSEMBLY, AXLE TUBE, PASSENGER SIDE	1
11	1013794	SEAL, OIL, AXLE SHAFT	2
12	7335	BEARING, INPUT GEAR.....	3
13	101923701	SHAFT, INPUT	1
14	7336	BEARING, INTERMEDIATE GEAR	1
15	101906901	ASSEMBLY, INTERMEDIATE GEAR	1
16	101895401	GEAR CASE, DRIVER SIDE	1
17	101972201	PLUG, FILL	1
18	101972101	PLUG, MAGNETIC	1
19	101923201	GASKET, PLUG	2
20	101897001	BOLT, M8 x 1.25 x 60MM	11
21	101897601	PIN, DOWEL	2
22	101923601	HOUSING, DIFFERENTIAL	1
23	101923901	GEAR, DIFFERENTIAL	2
24	101903601	PLATE, THRUST (IDLER GEAR)	2
25	101923001	GEAR, DIFFERENTIAL IDLER	2
26	101903701	PLATE, THRUST	2
27	101922101	PIN, DIFFERENTIAL	1
28	101906201	GEAR, OUTPUT	1
29	101897401	BOLT, M10 x 1.5 x 25MM	4
30	101972401	PIN, DOWEL	1
31	101895701	ASSEMBLY, AXLE TUBE, DRIVER SIDE	1
32	101928701	GASKET, LIQUID, 8.8 OZ. (250 GRAM)	A/R

NOTE: TRANSAXLE TYPE IS IDENTIFIED BY ORIENTATION OF GEAR CASE BOLTS (ITEM 20). THE TYPE G TRANSAXLE HAS GEAR CASE BOLT HEADS FACING TOWARD THE PASSENGER SIDE OF THE VEHICLE.



TRANSAXLE, TYPE K— ELECTRIC VEHICLE

15

E

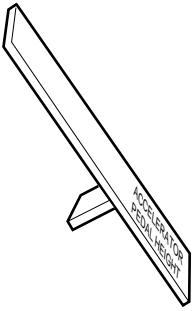
ITEM	PART NO.	DESCRIPTION	QTY
		1 2 3 4	
	N/A	TRANSAXLE, TYPE K (INCLUDES ITEMS 1 - 41)	1
1	1013785	AXLE ASSEMBLY, PASSENGER SIDE (INCLUDES ITEMS 3 - 7)	1
2	1013786	AXLE ASSEMBLY, DRIVER SIDE (INCLUDES ITEMS 3 - 7)	1
3	1013787	STUD, LUG	4
4	1014207	BUSHING, 25 MM I. D.	1
5	1011291	BEARING, OUTER AXLE TUBE	1
6	1013792	CIRCLIP, TYPE C	1
7	1016672	RING, RETAINING	1
8	1013790	BOLT, M10 x 1.5 x 30MM	10
9	1013791	WASHER, LOCK	10
10	1013775	SEAL, INPUT SHAFT OIL	1
11	1013756	GEAR CASE, PASSENGER SIDE	1
12	1012711	BREATHER	1
13	1013758	GASKET, CASE	1
14	7330	BEARING, INNER AXLE TUBE	2
15	1013789	GASKET, AXLE TUBE	2
16	1017704	ASSEMBLY, AXLE TUBE, PASSENGER SIDE	1
17	1013794	SEAL, AXLE SHAFT OIL	2
18	7335	BEARING, INPUT GEAR	3
19	1013764	SHAFT, INPUT	1
20	7336	BEARING, INTERMEDIATE GEAR	1
21	1013766	GEAR, INTERMEDIATE, SMALL	1
22	1013780	KEY, SUNK	1
23	1013765	GEAR, INTERMEDIATE, LARGE	1
24	1013757	GEAR CASE, DRIVER SIDE	1
25	1013759	PLUG, FILL, WITH GASKET	2
26	1013763	BOLT, M6 x 1 x 50MM	10
27	1012710	PIN, DOWEL	2
28	1013779	BOLT, M8 x 1.25 x 37MM	8
29	1013782	PLATE, LOCK	4
30	1013767	GEAR, OUTPUT	1
31	1013772	PIN, DIFFERENTIAL	1
32	101910501	KIT, DIFFERENTIAL GEAR CASE (INCLUDES ITEMS 33 - 36)	1
33	1013768	GEAR CASE, DIFFERENTIAL (DRIVER SIDE)	1
34	1013773	PLATE, THRUST (DIFFERENTIAL GEAR)	2
35	1013774	PLATE, THRUST (IDLER GEAR)	2
36	1013769	GEAR CASE, DIFFERENTIAL (PASSENGER SIDE).....	1
37	1013771	GEAR, DIFFERENTIAL	2
38	1013770	GEAR, DIFFERENTIAL IDLER	2
39	1013781	SHIM	1
40	1017703	ASSEMBLY, AXLE TUBE, DRIVER SIDE	1
41	1014193	PIN, DOWEL	1
<p>NOTE: TRANSAXLE TYPE IS IDENTIFIED BY ORIENTATION OF GEAR CASE BOLTS (ITEM 26). THE TYPE K TRANSAXLE HAS GEAR CASE BOLT HEADS FACING TOWARD THE DRIVER SIDE OF THE VEHICLE.</p>			

MAINTENANCE AND SERVICE TOOLS

16

G

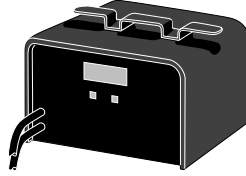
E



1



2



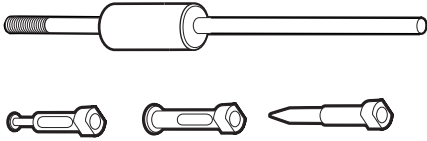
3



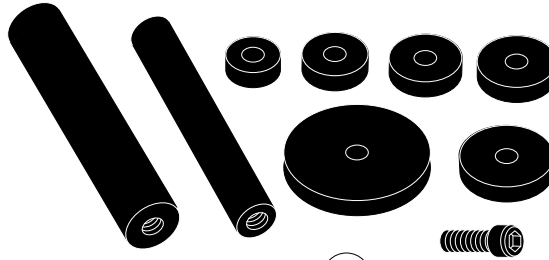
4



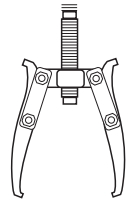
5



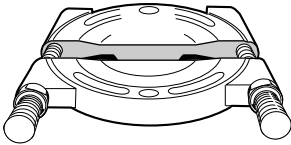
6



7



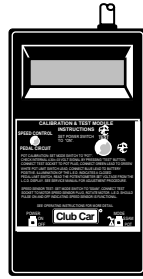
8



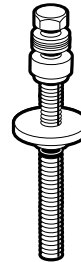
9



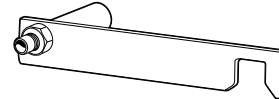
10



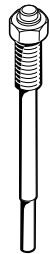
11



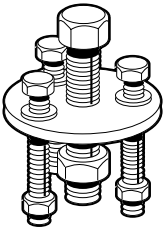
12



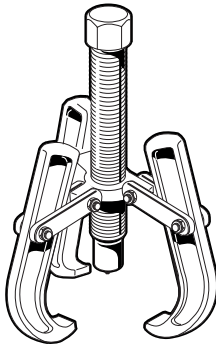
13



14



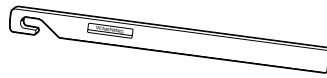
15



16



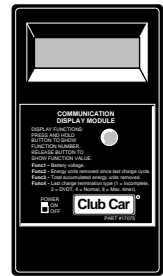
17



18



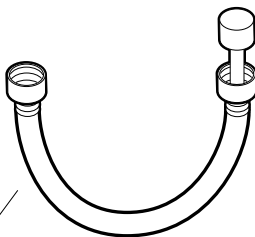
19



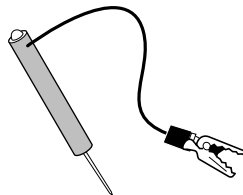
20



21



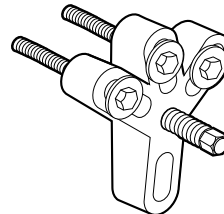
22



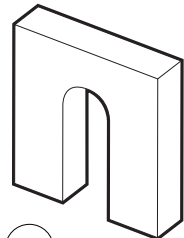
23



24



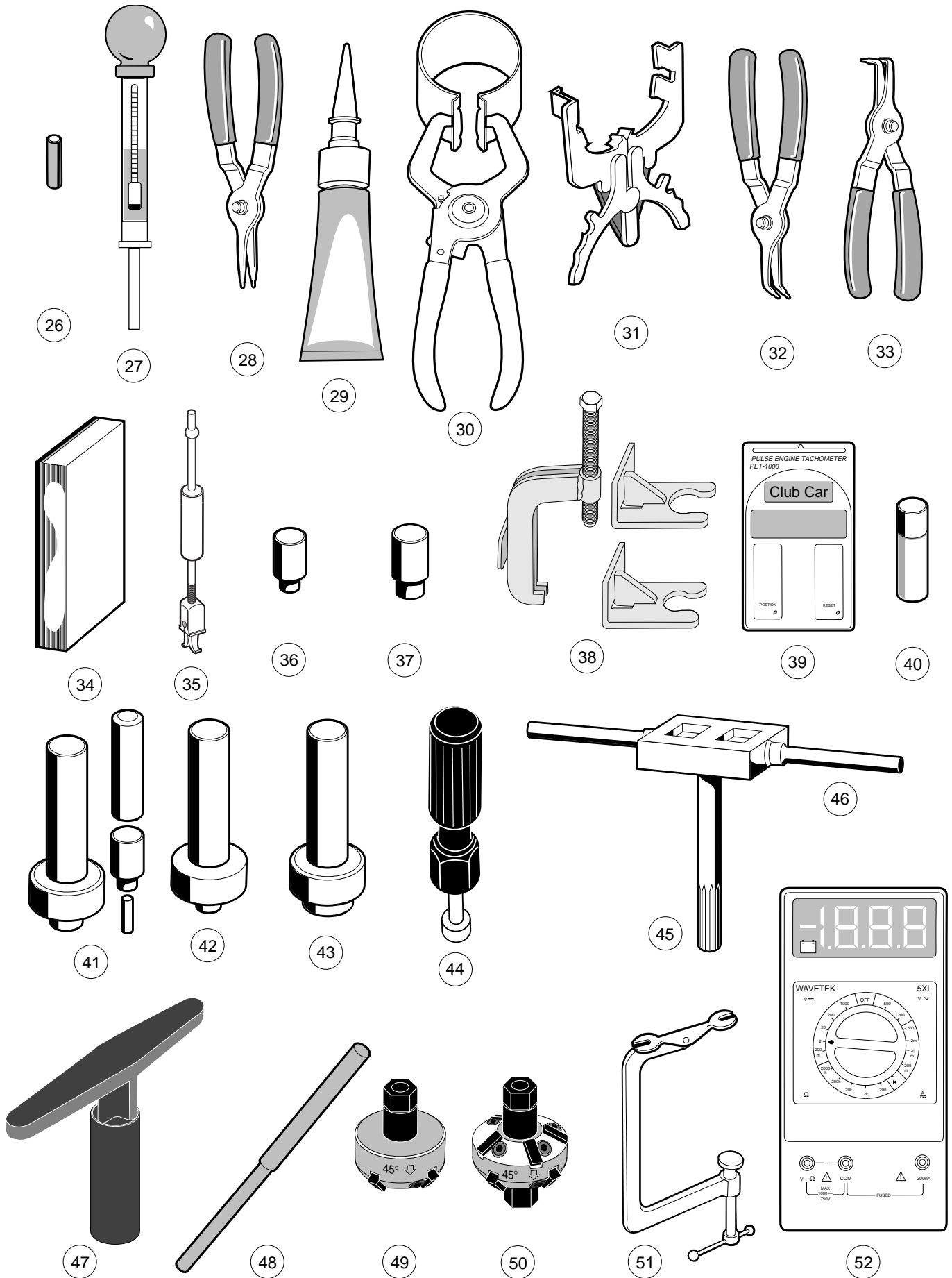
25



MAINTENANCE AND SERVICE TOOLS

ITEM	PART NO.	DESCRIPTION	QTY GAS	QTY ELEC
		1 2 3 4		
1	101871001	ACCELERATOR PEDAL ADJUSTMENT TOOL	1	1
2	101813202	ADHESIVE, GUIDE RING, 3-GRAM TUBE	1	1
3	101831901	BATTERY DISCHARGE MACHINE, 36/48 VOLT		1
4	1014305	BATTERY TERMINAL PROTECTOR SPRAY	1	1
5	1011767	BATTERY THERMOMETER		1
6	1016417	BEARING AND OIL SEAL REMOVER ASSEMBLY	1	1
7	1016416	BEARING DRIVER SET	1	1
8	1012811	BEARING PULLER	1	1
9	1012812	BEARING PULLER WEDGE ATTACHMENT	1	1
10	1013582	BRAKE ADJUSTMENT TOOL (USED ONLY ON VEHICLES WITH MANUALLY ADJUSTED BRAKES)	1	1
11	101887101	CALIBRATION TEST MODULE		1
12	101808401	CAM INSTALLATION TOOL	1	
	1014510	CLUTCH TOOL KIT (INCLUDES ITEMS 13 - 19)	1	
13	1014498	CLUTCH ALIGNMENT TOOL (FOR PRE-UNITIZED TRANSAXLE).....	1	
14	1014496	DRIVE CLUTCH PULLER	1	
15	1014497	DRIVE CLUTCH HUB PULLER	1	
16	1014508	DRIVEN CLUTCH CAM PULLER	1	
17	1014507	DRIVEN CLUTCH PULLER PLUG	1	
18	1015524	DRIVE CLUTCH HOLDER TOOL ASSEMBLY	1	
19	101809101	PRESS WELDMENT	1	
20	101831801	COMMUNICATION DISPLAY MODULE		1
21	101641002	COMPRESSION GAUGE AND ADAPTER	1	
22	1011273	CONTINUITY TESTER	1	1
23	1012151	DRY MOLY LUBRICANT	1	1
24	1016627	FLY WHEEL PULLER KIT	1	
25	1016418	GEAR YOKE	1	1
PLEASE REFER TO THE MAINTENANCE AND SERVICE MANUAL FOR PROPER TOOL APPLICATION.				

16
G
E



MAINTENANCE AND SERVICE TOOLS, CONTINUED

ITEM	PART NO.	DESCRIPTION	QTY GAS	QTY ELEC
		1 2 3 4		
26	101933101	GOVERNOR SHAFT INSTALLATION TOOL	1	
27	1011478	HYDROMETER	1	1
28	1013593	INTERNAL RETAINING RING PLIERS	1	1
29	101928701	LIQUID GASKET (TRANSAXLE CASE)	1	
30	1016414	PISTON RING COMPRESSOR KIT	1	
31	1016415	PISTON RING PLIERS	1	
32	1012549	RETAINING RING PLIERS, 45° EXTERNAL	1	1
33	1012560	RETAINING RING PLIERS, 90° INTERNAL	1	1
34	101823101	SAFETY FIRST CARD (50 PER PACK)	1	1
35	1012809	SEAL PULLER	1	1
36	1014264	STEERING COLUMN BEARING PRESS TOOL	1	1
37	1014259	STEERING COLUMN RETAINING RING TOOL	1	1
38	102061201	STEERING WHEEL PULLER TOOL	1	1
39	1016112	TACHOMETER	1	
40	101997201	PAINT, TOUCH-UP—BEIGE	1	1
40	101997202	PAINT, TOUCH-UP—WHITE	1	1
40	101997204	PAINT, TOUCH-UP—GRAY	1	1
40	101997209	PAINT, TOUCH-UP—DARK GREEN	1	1
40	101997211	PAINT, TOUCH-UP—CLASSIC BLUE	1	1
40	101997212	PAINT, TOUCH-UP—BURGUNDY	1	1
41	1014115	TRANSMISSION TOOL KIT	1	
42	1014161	TRANSAXLE PINION SEAL TOOL	1	
43	1014162	TRANSAXLE AXLE SEAL TOOL	1	
44	1016413	VALVE CLEARANCE ADJUSTER SCREW HOLDER (FOR VEHICLES WITH FE290 ENGINES ONLY)	1	
45	101641201	VALVE GUIDE REAMER	1	
46	101641202	ARBOR	1	
47	1016551	VALVE SEAT CUTTER T-WRENCH	1	
48	1016552	VALVE SEAT CUTTER GUIDE	1	
49	1016553	VALVE SEAT CUTTER, 45° (32MM DIAMETER)	1	
50	1016554	VALVE SEAT CUTTER, 32° AND 45° (35MM DIAMETER) (FOR VEHICLES WITH FE350 ENGINES ONLY)	1	
51	101641101	VALVE SPRING COMPRESSOR	1	
52	1011480	VOLT OHM METER	1	1
53	101611003	TUNE-UP KIT, ALL OHV (INCLUDES AIR FILTER, SPARK PLUG, OIL FILTER, FUEL FILTERS) (NOT SHOWN)	1	
		PLEASE REFER TO THE MAINTENANCE AND SERVICE MANUAL FOR PROPER TOOL APPLICATION.		

16
G
E

INDEX

Part Numbers and Page

1010124	5-7	1012328	6-15	1013765	15-5
1010150	5-9	1012333	6-5	1013766	15-5
1010219	5-7	1012353	12-9, 12-23	1013767	15-5
1010347	5-9	1012382	6-3	1013768	11-7, 15-5
1010348	5-9	1012412	1-7, 1-9	1013769	11-7, 15-5
1010413	1-13	1012467	5-5	1013770	11-7, 15-5
1010434	1-3, 1-13	1012499	5-3	1013771	11-7, 15-5
1010543	1-11	1012505	6-9, 12-3	1013772	11-7, 15-5
1010805	4-5	1012549	16-5	1013773	11-7, 15-5
1010850	4-3	1012560	16-5	1013774	11-7, 15-5
1010878	4-5	1012566	5-3	1013775	15-5
101090801	12-13, 12-19, 12-29	1012597	1-11	1013780	15-5
1010927	4-5	1012649	8-3	1013781	15-5
1010932	4-5	1012651	12-5	1013782	15-5
1010933	4-5	1012656	1-11	1013785	15-5
1010954	6-5, 6-7, 11-3	1012657	1-11	1013786	15-5
1010958	12-5, 12-13	1012711	11-3, 15-5	1013787	11-7, 15-5
1010974	5-11	1012714	11-5	1013789	15-5
1010984	2-3, 5-9	1012740	11-5	1013794	11-7, 15-3, 15-5
1011010	12-5	1012741	11-5	1013860	12-9, 12-23
1011014	1-5	1012747	11-5	1013861	5-3
1011069	12-5	1012748	11-5	1013869	4-5
1011273	16-3	1012752	11-3	1013870	4-5
1011290	14-3, 14-5, 14-7	1012809	16-5	1013871	4-7
1011291	11-7, 15-5	1012811	16-3	1013884	1-13
1011304	5-9	1012812	16-3	1013886	12-9, 12-23
1011393	5-9	1012903	12-9	1013887	12-9, 12-23
1011394	1-5	1012981	7-5	1013935	1-13
1011402	4-5	1012987	6-5, 12-7, 12-17	1013971	12-11
1011411	14-3, 14-5, 14-7	1013001	6-11	1013998	12-9, 12-23
1011415	5-11	1013003	6-11	1014	12-9, 12-23
1011418	4-5	1013005	6-11	1014003	12-9, 12-23
1011466	4-3	101301102	6-11	1014010	12-9, 12-23
1011478	16-5	1013032	1-7, 1-9	1014012	12-11
1011480	16-5	1013035	5-5	1014013	12-11
1011652	1-11	1013052	5-5	1014014	12-11
1011694	4-7	1013092	12-5, 12-13	1014017	12-9, 12-23
1011700	4-7	1013135	5-9	1014029	12-5
1011706	1-13	1013140	1-7, 1-9	1014030	12-5
1011708	1-13	1013164	5-11	1014032	12-5
1011710	1-13	1013207	4-3, 5-11	1014033	12-5
1011734	4-7	1013335	1-13	1014034	12-5
1011767	16-3	1013343	1-3	1014035	12-5
101187702	4-5, 4-7	1013344	1-3	1014036	12-5
1011887	5-9	101342501	12-13	1014039	12-5
1011892	5-9	101347501	1-5	1014045	12-11
1011930	5-5, 5-7	1013496	3-5	1014049	10-3
1011997	12-7	1013582	16-3	1014050	10-3
1012022	12-13	1013587	6-5	1014051	10-3
1012030	5-9	1013590	6-5	1014052	10-3
1012042	13-3, 13-5, 13-7	1013593	16-5	1014056	10-3
1012098	13-3, 13-5, 13-7, 13-9, 13-11, 13-13	1013609	6-7	1014058	10-3
1012101	13-3, 13-5, 13-7, 13-9, 13-11, 13-13	1013628	12-13	1014059	10-3
1012151	16-3	1013649	12-13	1014070	10-5
1012164	7-15	1013677	3-5	1014072	10-5
1012181	5-11	1013683	12-13, 12-19, 12-29	1014078	10-5
1012182	5-11	1013692	8-3	1014089	6-5
1012295	6-7	1013700	8-9	1014115	16-5
1012303	5-9, 5-11	1013746	8-3, 8-7	1014119	6-3
1012304	5-11	1013754	1-13	1014125	5-3
1012324	5-11	1013756	15-5	1014126	5-3
		1013757	15-5	1014145	6-5, 6-7
		1013758	15-5	1014153	4-3
		1013759	11-3, 15-5	1014161	16-5
		1013764	15-5	1014162	16-5

INDEX

1014198 1-5
1014207 11-7, 15-5
1014211 5-3
1014213 5-3
1014217 5-3
1014235 5-7
1014259 16-5
1014264 16-5
1014276 5-9
1014289 6-11
1014305 16-3
1014374 6-15
1014413 8-9
1014414 12-9, 12-23
1014453 10-3
1014454 10-5
1014476 12-11
1014496 16-3
1014497 16-3
1014498 16-3
1014507 16-3
1014508 16-3
1014510 16-3
1014516 12-13
1014523 8-3
1014524 8-3
1014645 1-3
1014696 13-5
1014728 12-11
1014729 12-11
1014771 2-3
1014807 6-5, 6-7, 12-9, 12-23
1014808 6-7, 12-7, 12-17
1014828 12-5
1014856 12-25
1014928 8-3
1014947 12-15, 12-21
1014948 12-13, 12-21
1014999 12-9, 12-23
1015032 1-3
1015137 8-3, 8-7
1015139 8-3
1015143 8-3
1015188 8-3
101524001 6-13
1015330 9-3
1015332 6-3, 7-3
1015371 6-7
1015372 6-7
1015373 6-7
1015408 8-9
1015426 8-11
101547601 3-3
1015524 16-3
1015545 5-3
1015583 5-9, 5-11
1015597 5-5, 5-7, 5-9
1015625 1-11
101562601 1-13
101562602 1-13
101562604 1-13
101562605 1-13
101562701 1-11
101562702 1-11
101562704 1-11
101562710 1-11
101564804 1-11
101564805 1-11
101564807 1-11
101564808 1-11
1015649 7-3
101565102 1-13
101565105 1-13
101565106 1-13
101565107 1-13
1015670 1-11
101567202 2-3
101570501 2-3
101570502 2-3
101570507 2-3
1015707 2-3
1015737 6-3, 6-7
1015741 6-7
1015769 6-3
1015777 6-7
1015814 9-3
1015845 8-9
1015905 13-3, 13-5, 13-7
1015906 13-3, 13-5, 13-7
1015907 13-3
101590703 13-7
1015910 13-3, 13-5
1015911 13-3, 13-5, 13-7
1015912 13-3
1015913 13-3, 13-5, 13-7
1015914 13-3, 13-5, 13-7, 13-9, 13-11, 13-13
101591601 13-3
101591602 13-3
1015917 13-3, 13-5, 13-7, 13-9, 13-11
1015920 6-3, 6-13
1015936 13-5
1015939 13-7
1015940 13-5
1016003 8-3
1016068 12-5
1016069 12-5
1016070 12-5
101610901 3-5, 12-9, 12-23
101611003 16-5
1016112 16-5
1016140 12-9
1016154 5-3
1016156 5-3
1016181 5-3
1016201 6-5
1016203 10-3, 10-5
1016214 5-3
101621601 3-3, 3-5
1016219 5-3
1016263 5-3
1016282 13-7
1016289 10-3
1016336 13-7
1016337 11-5
1016338 11-5
1016341 11-3
1016342 6-5
1016346 5-7
1016349 5-7
1016350 5-7
1016353 5-7
1016379 1-3
1016384 5-9
1016385 5-7
1016386 5-9
1016389 5-9
101641002 16-3
101641101 16-5
101641201 16-5
101641202 16-5
1016413 16-5
1016414 16-5
1016415 16-5
1016416 16-3
1016417 16-3
1016418 16-3
101642572 8-5
101642575 8-5
101642578 8-5
101642580 8-5
101642582 8-5
1016429 7-7
1016430 7-9
1016431 7-9
1016432 7-7, 11-3
101643301 13-3, 13-5, 13-7
101643302 13-3, 13-5, 13-7
101643303 13-3, 13-5, 13-7
101643401 13-5
1016435 7-7
1016436 7-9
1016437 8-5
1016438 8-7
1016439 8-7
1016440 8-7
1016441 8-7
1016442 7-9
1016443 7-3
1016444 8-7
1016445 7-5
1016446 7-11
1016447 7-9
1016448 7-9
1016449 7-9
1016450 7-9
1016451 7-9
1016452 7-9
1016453 7-11
101645901 7-13
101645902 7-13
101645903 7-13
1016460 7-13
101646101 7-13
101646102 7-13
101646103 7-13
101646201 13-7
101646401 13-3
1016467 7-7
1016469 7-13
1016470 7-13
1016471 7-9
1016472 7-11
1016473 7-7
1016474 7-9

INDEX

101647501 7-13
101647502 7-13
1016479 7-9
1016480 8-7
101648102 8-7
101648203 7-7
1016483 7-9
1016484 7-7
1016486 8-5
1016493 7-5
1016494 7-11
1016501 8-5
1016502 7-7
1016506 7-11
1016510 7-11
101651401 2-3
101651402 2-3
101651407 2-3
1016516 7-13
1016519 7-9
1016520 7-11
1016521 7-11
1016523 7-9
1016524 7-3
1016525 7-3
1016526 7-3
1016531 7-3
1016532 7-13
1016533 7-13
1016535 7-11
1016536 7-3
1016537 7-7
1016538 7-11
101655001 7-13
101655002 7-13
101655003 7-13
101655004 7-13
101655005 7-13
101655006 7-13
101655007 7-13
101655008 7-13
101655009 7-13
1016551 16-5
1016552 16-5
1016553 16-5
1016554 16-5
1016559 7-13
1016561 7-5
1016562 7-5, 7-13
1016563 7-9
1016564 7-11
1016565 7-11
1016566 7-9
1016567 7-11
1016568 7-13
1016569 7-9
1016570 7-7
1016571 7-13
1016572 8-7
1016576 7-7
1016578 7-5
1016579 7-5
1016580 7-13
1016581 7-7
1016582 8-7
1016586 7-5
1016587 7-5
101660404 1-3
101661601 12-13
101661602 12-13
1016622 5-3
1016627 16-3
1016630 6-9
1016801 10-3
1016851 12-3
1016859 6-9, 12-3
1016868 1-5
1016875 1-3
1016883 6-13
101692501 1-5
101692502 1-5
101692504 1-5
101692510 1-5
101692512 1-5
101692513 1-5
101692601 1-7
101692602 1-7
101692604 1-7
101692610 1-7
101692612 1-7
101692613 1-7
101693301 1-9
101693302 1-9
101693304 1-9
101693310 1-9
101693312 1-9
101693313 1-9
101693901 1-5
101693902 1-5
101693904 1-5
101693909 1-5
101693911 1-5
101693912 1-5
1016947 6-5
101696201 1-9
101696202 1-9
101696204 1-9
101696208 1-7
101696209 1-7
101696211 1-7
101696216 1-7
101696218 1-9
101696220 1-7
101696221 1-7
101696223 1-9
101696224 1-9
101706702 1-3
101707206 1-13
1017079 1-3
1017080 1-5
101708301 1-3
1017141 1-7, 1-9
1017231 11-3
1017266 5-7
1017378 4-7
1017380 4-7
1017409 1-13
1017424 4-7
1017455 7-5
1017461 8-5
1017466 8-7
1017507 7-7
101753005 12-17
1017653 6-11
101768202 1-3
1017686 10-5
1017689 9-3
1017692 12-9
101769302 2-3
1017696 4-7
1017703 15-5
1017704 15-5
101772801 14-3
1017748 1-7, 1-9
1017774 1-13
1017799 12-17
1017814 1-9
1017815 1-9
101785701 14-5
101791101 4-3
1017936 1-7, 1-9
1017944 14-3, 14-5, 14-7
1017945 14-3
1017946 14-3, 14-5, 14-7
1017947 14-3, 14-5, 14-7
1017948 14-3, 14-5, 14-7
1017949 14-3, 14-5
1017950 14-3, 14-5, 14-7
1017951 14-3, 14-5
1017952 14-3
1017953 14-3, 14-5, 14-7
101795701 12-15, 12-25
1017958 14-5
1017961 14-5, 14-7
101796201 4-7
101796501 12-19, 12-29
101796801 12-29
101797701 12-19, 12-29
101797702 12-19, 12-29
101797801 12-19, 12-29
101801001 12-19, 12-29
101802101 12-19, 12-29
101802201 13-9
101802202 13-9
101802203 13-9
101802601 1-3, 12-3
101805701 8-11
101808401 16-3
101809101 16-3
101811401 8-11
101811501 8-11
101811901 8-11
101812301 8-11
101813202 16-3
101815501 4-3
101815502 4-3
101816301 4-3
101816501 4-3
101816502 4-3
101817401 4-7
101818801 4-7
101819701 13-9
101820201 8-7
101821301 6-7
101821501 8-11

INDEX

101823101 16-5
101823201 4-3
101823301 4-3
101823302 4-3
101824001 4-3
101824002 4-3
101824401 8-3
101825101 3-3, 3-5
101826201 12-3
101826301 6-9
101827101 7-15
101827801 12-15, 12-21, 12-25, 12-33
101828301 13-9
101828501 13-9, 13-11
101828601 13-9
101828701 13-9
101828801 13-9
101828802 13-9
101828901 13-9, 13-11, 13-13
101828902 13-9, 13-11, 13-13
101828903 13-9, 13-11, 13-13
101830701 6-9, 12-3
101831101 13-9
101831401 12-13
101831503 13-11
101831504 13-11
101831701 13-11
101831702 13-11
101831801 16-3
101831901 16-3
101832101 7-15
101832201 8-9
101832301 8-9
101832401 8-9
101832501 8-9
101832701 7-15
101833201 7-15
101833401 10-5
101833601 11-3
101833701 6-11, 6-13
101833902 10-3
101834001 10-5
101834502 6-9, 12-3
101834601 7-15
101834801 11-3
101836201 10-5
101837101 8-11
101837301 6-3, 6-13
101838201 13-11, 13-13
101838301 13-11
101838401 13-11, 13-13
101838501 13-11, 13-13
101838601 13-11, 13-13
101838701 13-11, 13-13
101840201 12-21
101853502 12-25
101853602 12-25
101854501 14-7
101855001 12-27
101855801 6-5
101856001 12-27
101856201 8-11
101859301 9-3
101869302 6-11
101871001 16-3
101871901 4-7
101874901 6-11
101875001 6-11
101875101 6-11
101875201 6-11
101875301 6-11
101875501 6-11
101875601 6-11
101875701 6-11
101875802 6-11
101876001 6-11
101876202 6-11
101876301 6-11
101876402 6-11
101876501 6-11
101877601 6-11
101877701 6-11
101878101 6-11
101878201 4-5
101878302 5-5
101879001 6-11
101879201 14-7
101879301 14-7
101879401 5-5
101879501 5-5
101879701 5-5
101879801 5-5
101880001 5-5
101880201 5-5
101881101 7-5
101883002 12-15
101883601 12-31
101887101 16-3
101887901 12-33
101888201 12-31
101889302 6-3
101889401 11-5
101889501 11-5
101889901 11-5
101890001 11-5
101890101 11-3
101890201 11-3
101890601 11-3
101890901 11-7
101891001 11-7
101891301 11-3
101891401 11-7
101891501 11-7
101891601 11-5
101891901 11-5
101892001 11-5
101892201 11-5
101892301 11-5
101892401 11-5
101892501 11-5
101892601 11-5
101892701 11-7
101893201 11-5
101894901 12-19, 12-21, 12-29, 12-33
101895101 14-7
101895401 15-3
101895501 15-3
101895601 15-3
101895701 15-3
101895801 15-3
101895901 15-3
101896001 15-3
101896901 8-3
101897201 15-3
101898001 6-15
101900801 4-3, 5-11
101900901 6-9
101901201 12-15
101901301 12-15
101901401 12-15
101901501 12-15
101902801 12-15, 12-25
101902901 12-15, 12-25
101903001 12-15
101903601 15-3
101903701 15-3
101904101 1-7, 1-9
101905601 8-5, 8-7
101906201 15-3
101906901 15-3
101908101 12-27
101908401 12-27
101908601 3-5
101908701 12-21
101909201 7-5
101909301 7-5
101909401 7-5
101909501 7-5
101909901 12-21
101909902 12-33
101910501 11-7, 15-5
101912401 4-7
101914401 13-9, 13-11, 13-13
101915201 3-3
101915401 7-11
101915501 7-13
101915601 7-3
101915701 7-5
101915801 7-5
101916701 6-13, 10-3
101917601 8-11
101917701 8-11
101920001 12-25
101920101 12-21, 12-23, 14-7
101921501 8-11
101922101 15-3
101922201 15-3
101922301 7-13
101922501 12-27
101922601 6-5, 11-3
101923001 15-3
101923201 15-3
101923501 15-3
101923601 15-3
101923701 15-3
101923901 15-3
101925601 10-3
101925701 8-11
101925801 14-7
101927101 11-3
101927201 11-3
101927501 11-5
101927601 11-5
101927801 11-5
101927901 11-5

INDEX

- 101928001 11-5
 - 101928101 11-5
 - 101928701 11-3, 15-3, 16-5
 - 101929801 10-3
 - 101932004 12-23
 - 101932601 12-33
 - 101932701 12-33
 - 101932801 12-23
 - 101933101 16-5
 - 101935501 12-3
 - 101939901 6-11
 - 101942301 12-21, 12-23
 - 101946901 12-23
 - 101949201 12-9, 12-23
 - 101951101 1-11
 - 101951501 6-5
 - 101952401 3-3, 3-5
 - 101953101 4-5
 - 101953901 7-3
 - 101956201 13-13
 - 101956202 13-13
 - 101957901 12-31
 - 101958101 8-11
 - 101958201 13-13
 - 101958301 13-13
 - 101959901 3-5
 - 101960501 3-3
 - 101960601 3-3, 3-5
 - 101964401 12-31
 - 101964801 12-25
 - 101965201 12-21, 12-33
 - 101968701 12-25
 - 101971001 8-11
 - 101971101 12-23
 - 101971301 8-11
 - 101972101 15-3
 - 101972201 15-3
 - 101972801 8-11
 - 101973101 8-5
 - 101973201 8-5
 - 101973501 13-13
 - 101975901 12-13
 - 101976601 13-13
 - 101977101 12-17
 - 101979101 6-5, 12-17
 - 101980801 11-5
 - 101980901 11-5
 - 101981001 11-5
 - 101984801 5-3
 - 101987501 13-13
 - 101987701 8-3
 - 101990801 4-5
 - 101992601 6-7
 - 101997201 16-5
 - 101997202 16-5
 - 101997204 16-5
 - 101997209 16-5
 - 101997211 16-5
 - 101997212 16-5
 - 102003201 8-3
 - 102018001 12-5
 - 102022101 4-3, 4-5
 - 102026001 4-7
 - 102047201 12-13
 - 102048301 12-13
 - 102052503 12-15
 - 102061201 16-5
 - 4107 12-13
 - 7048 5-9
 - 727102 2-3
 - 7310 2-3
 - 7330 11-7, 15-3, 15-5
 - 7335 11-5, 15-3, 15-5
 - 7336 11-5, 15-3, 15-5
 - 7539 5-7
 - 7540 5-5, 5-7
 - 8067 5-9
 - 8639 12-13
 - 8745 5-9
 - 8990 5-5, 12-3, 12-23, 12-27, 12-33
- A**
- A CONNECTOR 6-11
 - SPACER 4-7
 - ACCELERATOR PEDAL 4-7
 - ACCELERATOR PEDAL ADJUSTMENT TOOL 16-3
 - ACCELERATOR PIVOT ROD 4-7
 - ACCELERATOR ROD 4-7
 - ADHESIVE, GUIDE RING 16-3
 - AIR BOX 8-11
 - AIR BOX TOP 8-11
 - AIR DUCT 8-11
 - AIR DUCT REPAIR KIT 8-11
 - AMMETER 13-3, 13-5, 13-7, 13-9, 13-11, 13-13
 - ARBOR 16-5
 - ARM, GOVERNOR LEVER 11-3
 - ARM, PIVOT 11-3
 - ARM, ROCKER 7-9
 - ARM, SPEED SWITCH 12-9, 12-23
 - ARMATURE 6-11, 14-3, 14-5, 14-7
 - ARMREST 1-11
 - AXLE ASSEMBLY 11-7, 15-3, 15-5
 - AXLE SEAL TOOL 16-5
 - AXLE TUBE 11-7, 15-3, 15-5
- B**
- BAG HOOP 1-13
 - BAGWELL PROTECTOR 1-3
 - BALL BEARING 6-11
 - BALL JOINT 5-5, 5-7
 - BALL JOINT, LEFT-HAND THREAD 5-7
 - BALL, STEEL 11-5
 - BALL, STEEL, PRESSURE RELIEF 7-7
 - BAND, RPM LIMITER MOUNT 7-5
 - BAR, BUS 12-17
 - BARB, VENT 8-3
 - BASE, FORWARD/REVERSE SHIFTER 6-5
 - BASE, MOUNTING 12-13
 - BATTERY DISCHARGE MACHINE 16-3
 - BATTERY TERMINAL PROTECTOR SPRAY 16-3
 - BATTERY THERMOMETER 16-3
 - BATTERY, 12-VOLT 6-15
 - BATTERY, 6-VOLT 12-13
 - BATTERY, 6-VOLT, DRY 12-13
 - BATTERY, 8-VOLT POWERDRIVE 12-19, 12-29
 - BATTERY, 8-VOLT POWERDRIVE, DRY 12-19, 12-29
 - BEARING 5-3
 - BEARING AND OIL SEAL REMOVER 16-3
 - BEARING DRIVER 16-3
 - BEARING PULLER 16-3
 - BEARING PULLER WEDGE 16-3
 - BEARING, BALL 7-11, 11-5, 14-3, 14-5, 14-7
 - BEARING, BRONZE 12-9, 12-23
 - BEARING, DIFFERENTIAL 15-3
 - BEARING, IDLER 10-3
 - BEARING, INNER AXLE TUBE 11-7, 15-5
 - BEARING, INPUT GEAR 15-3, 15-5
 - BEARING, INTERMEDIATE GEAR 15-3, 15-5
 - BEARING, LOWER PINION 5-5
 - BEARING, NEEDLE 11-5
 - BEARING, OUTER AXLE TUBE 11-7, 15-5
 - BEARING, PIVOT SUPPORT 4-7
 - BEARING, PLAIN 7-13
 - BEARING, THRUST 5-9
 - BEARING, UPPER PINION 5-5
 - BELL CRANK AND SHAFT 6-7
 - BELT, DRIVE 10-3, 10-5
 - BELT, STARTER/GENERATOR 6-13, 10-3
 - BEZEL, CHARGER RECEPTACLE 12-13
 - BEZEL, RECEPTACLE 12-19, 12-29
 - BLOCK, FUSE 6-7
 - BOARD, RESISTOR MOUNTING 12-11
 - BODY 1-7, 1-9
 - BODY, FRONT 1-5
 - BOLT, BRAKE CLUSTER MOUNTING 4-3
 - BOLT, CLAMP 6-11
 - BOOT, DUST 5-5
 - BOOT, STEERING COLUMN 5-3
 - BOOT, TOW/RUN SWITCH 12-27
 - BOTTOM, AIR BOX 8-11
 - BOX, ELECTRICAL COMPONENT 6-7
 - BRACKET 7-3
 - BRACKET, ACCELERATOR SUPPORT 8-9
 - BRACKET, ADJUSTING 6-13
 - BRACKET, FUSE AND RECEPTACLE MOUNTING 12-13
 - BRACKET, GOVERNOR CABLE ENGINE 8-9
 - BRACKET, MOUNTING 6-13, 12-31
 - BRACKET, MUFFLER MOUNTING 9-3
 - BRACKET, OIL FILTER 7-7
 - BRACKET, OIL LEVEL SWITCH 7-11
 - BRACKET, POWER RELAY MOUNTING 13-11, 13-13
 - BRACKET, RPM LIMITER 7-5
 - BRACKET, SEAT SUPPORT 1-11
 - BRACKET, SNUBBER 7-15
 - BRACKET, SUPPORT 8-9
 - BRACKET, THROTTLE 8-7
 - BRACKET, TOW/RUN SWITCH 12-27
 - BRACKET, TRANSMISSION CABLE SUPPORT 6-5, 11-3
 - BRAKE 4-3
 - ASSEMBLY, LEVER 4-3
 - BACKING PLATE 4-3
 - MECHANISM, ADJUSTING 4-3
 - BRAKE ADJUSTMENT TOOL 16-3
 - BRAKE CABLE 4-3, 4-5

INDEX

BRAKE PEDAL 4-5
BRAKE PEDAL MOUNTING BLOCK 4-5
BRAKE SHOE 4-3
BRAKE SPRING 4-3
BREAKER, CIRCUIT, 15-AMP 13-9, 13-11, 13-13
BREATHER 11-3, 15-3, 15-5
BRUSH 6-11, 14-3, 14-5, 14-7
BRUSH CONNECTOR 6-11
BRUSH SPRING 14-3, 14-5, 14-7
BUCKLE, BAG STRAP 1-13
BUMPER, FRONT 1-5
BUMPER, REAR 1-3
BUMPER, RETURN SPRING 4-7
BUMPER, RUBBER 4-5
BUMPER, SEAT 1-11
BUMPER, SIDE GUARD TRIM 1-5
BUMPER, WIPER SWITCH 12-9, 12-23
BUSHING 10-3, 15-5
BUSHING, BRONZE 5-9, 6-5, 6-7
BUSHING, BRONZE SPINDLE 5-9
BUSHING, INSULATOR 14-3, 14-5, 14-7
BUSHING, STEEL 5-9, 5-11
BUSHING, STRAIN RELIEF 13-3, 13-5, 13-7, 13-9, 13-11, 13-13
BUSHING, URETHANE 5-7, 5-9, 5-11
BUTTON 10-5

C

CABLE, ACCELERATOR 8-9
CABLE, GOVERNOR 8-9
CABLE, TRANSMISSION 6-5
CALIBRATION TEST MODULE 16-3
CAM 10-5
CAM INSTALLATION TOOL 16-3
CAM, ELECTRICAL BOX 6-7
CAMSHAFT 7-11
CAP, 6-VOLT BATTERY 12-13
CAP, BATTERY, 4-PORT GANG 12-19, 12-29
CAP, FUEL TANK 8-3
CAP, KEY SWITCH 6-9, 12-3
CAP, PROTECTOR 12-9
CAP, SEAT BACK 1-13
CAPACITOR 13-3, 13-5, 13-7
CARBURETOR 8-5, 8-7
CARRIER, WIPER SWITCH ARM 12-9, 12-23
CASE, CHARGER 13-3, 13-5, 13-7, 13-9, 13-11, 13-13
CASE, FORWARD/REVERSE SWITCH 12-27
CASE, GEAR CARRIER 11-7
CASE, ROCKER 7-9
CHARGER, ACCU-POWER 13-3, 13-5, 13-7
CHARGER, BATTERY, POWERDRIVE 13-9, 13-11, 13-13
CHOKE BUTTON 8-11
CLAMP 7-5, 7-11
CLAMP, BATTERY 6-15
CLAMP, CABLE 12-13
CLAMP, CABLE RETAINING 8-9
CLAMP, HOSE 8-3, 8-7
CLAMP, HOSE (AIR INTAKE) 8-11

CLAMP, HOSE (RED) 8-3
CLAMP, MUFFLER 9-3
CLAMP, PLASTIC 8-3
CLEVIS, UPPER DELTA 5-9
CLIP, BODY KEEPER 1-7, 1-9
CLIP, SCORE CARD 5-3
CLUTCH ALIGNMENT TOOL 16-3
CLUTCH TOOL KIT 16-3
COIL, IGNITION 7-5
COIL, RESISTOR 12-11
COLLAR 11-7
COLLET 7-9
COLUMN, ALUMINUM STEERING 5-3
COMMUNICATION DISPLAY MODULE 16-3
COMPRESSION GAUGE 16-3
COMPUTER, ONBOARD 12-21, 12-33
CONNECTING ROD 7-13
CONNECTOR, CORD 7-11
CONTINUITY TESTER 16-3
CONTROL CABLE 13-3, 13-5, 13-7
CONTROLLER, 48-VOLT (220-AMP) 12-33
CONTROLLER, 48-VOLT (225-AMP) 12-21
CORDSET, AC 13-3, 13-5, 13-7, 13-9, 13-11, 13-13
CORDSET, DC 13-3, 13-5, 13-7, 13-9, 13-11, 13-13
COVER, BRUSH INSPECTION PORT 6-11
COVER, CRANKCASE 7-11
COVER, DUST 4-3, 5-9
COVER, ELECTRICAL COMPONENT BOX 6-7
COVER, GEAR CASE 11-7
COVER, PUMP 7-7
COVER, STEERING COLUMN 5-3
COVER, VINYL SEAT BOTTOM 1-11
COVER, VINYL, SEAT BACK 1-13
COVER, WIPER SWITCH 12-23
COVER, WIPER SWITCH CASE 12-9
CRANK, BELL 12-9, 12-23
CRANKCASE 7-13
CRANKSHAFT 7-13
CUP, SPRING 4-7
CYLINDER HEAD 7-9

D

DAMPER, RPM LIMITER 7-5
LEFT DASH 1-3
PANEL, CENTER DASH 1-3
RIGHT DASH 1-3
DECAL, BATTERY DANGER 3-5
DECAL, DRIVER/PASSENGER WARNING 3-3, 3-5
DECAL, FRAME GROUND AND GOVERNOR WARNING 3-3
DECAL, GASOLINE WARNING 3-3
DECAL, INGERSOLL-RAND 3-3, 3-5
DECAL, KEY SWITCH 3-3, 3-5
DECAL, MOTOR BRAKING 3-5
DECAL, OPERATING INSTRUCTIONS 3-3, 3-5
DECAL, POTENTIOMETER 3-5
DECAL, RESISTOR WARNING 3-5
DECAL, ROTATING PARTS AND HOT MANIFOLD WARNING 3-3

DECAL, TOW/RUN SWITCH 3-5
DECAL, WIPER SWITCH WARNING 12-9, 12-23
DELTA A-PLATE 5-7
DELTA SHOCK AND GEAR SUPPORT 5-7
DIFFERENTIAL GEAR CASE 11-7, 15-5
DIODE 12-13, 12-21
DIPSTICK 7-3
DOOR, ACCESS 1-7, 1-9
DRINK HOLDER 1-3
DRIVE CLUTCH 10-3
DRIVE CLUTCH BUTTON 10-3
DRIVE CLUTCH HOLDER TOOL 16-3
DRIVE CLUTCH HUB PULLER 16-3
DRIVE CLUTCH PULLER 16-3
DRIVE CLUTCH WEIGHT 10-3
DRIVE HUB 10-3
DRIVEN CLUTCH 10-5
DRIVEN CLUTCH CAM PULLER 16-3
DRIVEN CLUTCH PULLER PLUG 16-3
DRUM, BRAKE 4-3
DRY MOLY LUBRICANT 16-3

E

ECCENTRIC 5-9
END BELL 6-11
EQUALIZER 4-5

F

FASTENER, PLASTIC BARREL 1-3, 1-13
FENDER, INNER 1-7, 1-9
FIELD COIL 6-11
FILTER, AIR 8-11
FILTER, FUEL 8-3
FITTING, GREASE 5-9
FITTING, THREAD-FORMING GREASE 5-5, 5-7
FIXED FACE 10-3, 10-5
FLOAT 8-5
FLOAT CHAMBER 8-5
FLY WHEEL PULLER 16-3
FLYWHEEL 7-5
FORK, SHIFT 11-5
FORWARD/REVERSE BELL CRANK 6-5
FORWARD/REVERSE SHIFTER 6-5
FORWARD/REVERSE SWITCH 12-7, 12-17
FUEL IMPULSE PUMP 8-3
FUEL TANK 8-3
FUEL TANK VENT 8-3
FUSE 13-3, 13-5, 13-7, 13-9, 13-11, 13-13
FUSE AND RECEPTACLE 12-13, 12-19, 12-29
FUSE, 10-AMP 6-7
FUSE, 3/8-AMP 12-19, 12-21, 12-29, 12-33
FUSE, 80-AMP 12-13

G

GASKET 8-7, 11-3
GASKET, AXLE TUBE 15-5
GASKET, CASE 15-5
GASKET, CRANKCASE COVER 7-11
GASKET, DRAIN PLUG 7-7
GASKET, EXHAUST 9-3
GASKET, FLOAT CHAMBER 8-5

INDEX

GASKET, HEAD 7-9
GASKET, INSULATOR 8-7
GASKET, LIQUID 11-3, 15-3
GASKET, OIL PUMP 7-7
GASKET, PLUG 15-3
GASKET, ROCKER CASE 7-9
GASKET, SEAT, LONG 1-11
GASKET, SEAT, SHORT 1-11
GASOLINE ENGINE 7-3
GEAR 11-5
GEAR CASE 11-3, 15-3, 15-5
GEAR YOKE 16-3
GEAR, CLUSTER IDLER 11-5
GEAR, DIFFERENTIAL 11-7, 15-3, 15-5
GEAR, DIFFERENTIAL IDLER 11-7, 15-3, 15-5
GEAR, HELICAL 7-13
GEAR, INTERMEDIATE 15-5
GEAR, INTERMEDIATE, SMALL 15-5
GEAR, OUTPUT 11-7, 15-3, 15-5
GEAR, SPUR 7-13, 11-5
GOVERNOR 11-5
GOVERNOR SHAFT INSTALLATION TOOL 16-5
GRIP, PENCIL 5-3
GROMMET 7-5
GROMMET, INSULATION 8-3
GROMMET, SPLIT 12-9, 12-23
GUARD, GOVERNOR 8-7
GUIDE 11-5
GUIDE, CHOKE LEVER 8-11
GUIDE, OIL 11-5
GUIDE, STEERING RACK 5-5
GUIDE, VALVE 7-9

H
HANDLE, FORWARD/REVERSE 6-5
HANDLE, FORWARD/REVERSE SWITCH 12-7, 12-17
HANGER, BRAKE CABLE 4-3, 5-11
HEATSINK, WITH DIODES 13-3, 13-5, 13-7, 13-9, 13-11, 13-13
HOLD-DOWN, BATTERY 12-13, 12-19, 12-29
HOLDER, BRUSH 6-11
HOLDER, FUSE 12-13
HOSE, INTAKE 8-11
HOUSING, DIFFERENTIAL 15-3
HOUSING, FAN 7-3
HOUSING, FEMALE 3-WIRE 14-7
HOUSING, FIELD COIL 6-11
HUB 5-9
HUB BEARING 5-9
HUB, SYNCHRONIZER CLUTCH 11-5
HYDROMETER 16-5

I
IDLE SCREW 8-5
INNER BALL JOINT 5-5
INSERT, SYNCHRONIZER 11-5
INSERT, WOOD 1-11
INSULATOR, CARBURETOR 8-7
INTERMEDIATE GEAR 15-3

J
J-BOLT 12-13, 12-19, 12-29
JET, MAIN 8-5
JET, PILOT 8-5
JOINT, BALL 4-5, 6-5
JOINT, COMPOUND STEERING 5-3
JOINT, SPRING-LOADED BALL 4-7

K
KEY 7-5, 7-13, 10-5, 11-5
KEY (PAIR) 6-9, 12-3
KEY, SQUARE 10-5
KEY, SUNK 15-5
KEY, WOODRUFF 6-11, 11-3
KINGPIN 5-9
KNEE BRACE 1-13

L
LATCH, WIRE 8-11
LENS, FUSE 12-13
LEVER, CHOKE 8-11
LEVER, SHIFTER 11-3
LEVER, TRANSMISSION SHIFTER 11-3
LIGHT, BATTERY WARNING 12-3
LIGHT, OIL WARNING 6-9
LIMITER, RPM-OHV 7-5
LINE, BULK FUEL 8-3
LINE, BULK VENT 8-3
LINE, VENT 8-7
LINK, RACK AND PINION DRAG 5-5
LIQUID GASKET 16-5

M
MAT, FLOOR 1-3
MODULE, ENERGY DISPLACEMENT 12-31
36-VOLT MOTOR, 2.97-HP 14-3
48-VOLT MOTOR, 3.10-HP 14-5
48-VOLT MOTOR, 3.20-HP 14-7
MOUNT, SEAT BACK 1-13
MOVEABLE FACE 10-3, 10-5

N
NAMEPLATE—GOLD 1-5
NEUTRAL LOCK-OUT CAM 6-5
NOZZLE, MAIN 8-5
NUT, KEY SWITCH 6-9, 12-3
NUT, LUG 2-3, 5-9

O
OIL FILTER 7-7
O-RING 7-9, 7-11, 7-13, 8-11
O-RING, OIL FILTER MOUNT 7-7

P
PAD, ACCELERATOR PEDAL 4-7
PAD, BRAKE PEDAL 4-5
PAD, MOUNTING, SEAT BACK SUPPORT 1-13
PAD, PARK BRAKE 4-5
PAD, SPRING 5-11
PAINT, TOUCH-UP 16-5
PARK BRAKE LATCH 4-5, 4-7
PARK BRAKE PEDAL 4-5
PILOT AIR SCREW 8-5
PIN 7-9, 7-11
PIN, DIFFERENTIAL 11-7, 15-3, 15-5

PIN, GOVERNOR CABLE CLEVIS 8-9
PIN, HAIR SPRING COTTER 8-9
PIN, PISTON 7-13
PIN, ROLL 11-3
PINION SEAL TOOL 16-5
PINION, STEERING 5-5
PIPE, INTAKE 8-7
PISTON 7-13
PISTON RING COMPRESSOR 16-5
PISTON RING PLIERS 16-5
PLATE 7-9
PLATE, BODY HINGE 1-7, 1-9
PLATE, BODY KICK 1-7, 1-9
PLATE, COMPONENT MOUNTING 12-21, 12-33
PLATE, FLYWHEEL FAN 7-5
PLATE, FRONT SPRING RETAINER 5-9
PLATE, LOCK 15-5
PLATE, MOUNTING 7-15
PLATE, MOUNTING, LONG 1-3
PLATE, OIL FILTER SCREEN 7-11
PLATE, OIL PUMP 7-7
PLATE, RECEPTACLE BACKING 12-19, 12-29
PLATE, RETAINING 14-7
PLATE, SEAT HINGE 1-11
PLATE, SPRING MOUNTING 5-7
PLATE, THRUST 11-5, 11-7, 15-3, 15-5
PLUG 7-7
3-PIN PLUG 12-21, 12-23, 14-7
6-PIN PLUG 12-33
PLUG CAP 7-5
PLUG, DRAIN 7-7, 11-3
PLUG, DRIVE CLUTCH 10-3
PLUG, FILL 15-3, 15-5
PLUG, HOLE 1-3, 12-3
PLUG, MAGNETIC 15-3
PLUG, SPARK 7-5
POSITIONER, CHOKE 8-11
PRESS 16-3
PROTECTOR, WIPER SWITCH RESISTOR 12-23
PULLEY 6-11
PUMP, FUEL IMPULSE 8-3
PUMP, OIL, AND ROTOR 7-7

R
RACHET, PARK BRAKE 4-7
RACK, STEERING 5-5
REAR FUEL STRAP 8-3
3-PIN RECEPTACLE 12-21, 12-23
3-WIRE AND RECEPTACLE 12-23
6-PIN RECEPTACLE 12-33
RECEPTACLE, AC CORD 13-13
RECEPTACLE, CHARGER, 2-PRONG 12-13
RELAY, 36-VDC 13-3, 13-5, 13-7
RELAY, POWER 13-9
RELAY, POWER, 48-VDC 13-11, 13-13
RESISTOR 12-15, 12-21
RESISTOR ASSEMBLY 12-23
RETAINER, BEARING 6-11, 14-3, 14-7
RETAINER, CABLE 6-5
RETAINER, HARNESS 6-9
RETAINER, SHOCK ABSORBER CUSHION

INDEX

5-11
RETAINER, SPRING 4-7, 10-3
RETAINER, VALVE SPRING 7-9
RETAINING RING PLIERS 16-5
REVERSE BUZZER 6-9, 12-3
RIGGING, BRUSH 14-3, 14-5, 14-7
RING SET, PISTON 7-13
RING, SPIRAL BACK-UP 10-3
RING, SYNCHRONIZER 11-5
ROD 7-13
ROD AND PAWL 4-5
ROD, EQUALIZER 4-5
ROD, PUSH 7-9
ROD, SHIFT 11-5
ROD, TIE 5-7

S
SAFETY FIRST CARD 16-5
SCORECARD PLATE 5-3
SCREEN, OIL FILTER 7-11
SCREW, BEARING RETAINER 14-3, 14-5, 14-7
SCREW, BRUSH HOLDER 14-3, 14-5
SCREW, CLAMP 14-3, 14-5, 14-7
SCUFF GUARD 1-3
SEAL PULLER 16-5
SEAL, AXLE SHAFT OIL 15-5
SEAL, BEARING 5-3
SEAL, CRANKSHAFT 7-11
SEAL, DOUBLE LIP 5-9
SEAL, DUST 5-5, 5-7
SEAL, DUST, STEERING PINION 5-5
SEAL, INPUT SHAFT OIL 15-5
SEAL, INTAKE 8-11
SEAL, OIL 7-13, 11-3, 11-7
SEAL, OIL, AXLE SHAFT 15-3
SEAL, OIL, INPUT SHAFT 11-5, 15-3
SEAL, VALVE 7-9
ASSEMBLY, SEAT BOTTOM AND ARMREST 1-11
SEAT BACK 1-13
SEAT BOTTOM 1-11
SEAT, BEARING 5-3
SEAT, SPRING 7-9
SEAT, VALVE 7-7
SENSOR, HALL EFFECT 14-7
SENSOR, OIL LEVEL 7-11
SET, POLE 6-11
SHACKLE, REAR SPRING 5-11
SHAFT, GUIDE COUNTERBALANCE 7-13
SHAFT, INPUT 11-5, 15-3, 15-5
SHAFT, ROCKER 7-9
SHAFT, SHIFTER 11-3
SHAFT, STEERING COLUMN 5-3
SHIELD, END 14-3, 14-5, 14-7
SHIELD, RESISTOR 12-11
SHIM 15-5
SHIM, CRANKSHAFT 7-13
SHIM, WIPER SWITCH 12-9, 12-23
SHOCK ABSORBER 5-7, 5-11
SHOCK ABSORBER CUSHION 5-11
SHOE RETAINER 4-3
SHROUD, ENGINE 7-3
SHROUD, FAN 7-3
SLEEVE 11-5

SLEEVE, DELTA INNER 5-7
SLEEVE, DELTA OUTER 5-7
SLEEVE, PARK BRAKE ROD 4-5
SLEEVE, SYNCHRONIZER 11-5
SNAP WASHER 1-3
SNUBBER 7-15, 12-13
SOLENOID, 12-VOLT 6-7
SOLENOID, 36-VOLT 12-13
SOLENOID, 48-VOLT 12-21, 12-31
SPACER 7-13, 7-15
SPACER, 1/2 1-9
SPACER, 1-7/8 1-9
SPACER, 5/16 6-11
SPACER, BAG HOOP 1-13
SPACER, BATTERY TERMINAL 6-15
SPACER, BODY 1-13
SPACER, FIXED FACE SHAFT 10-3
SPACER, PARK BRAKE 4-5
SPINDLE 5-9
SPRING 7-7, 11-5
SPRING, BRUSH 6-11
SPRING, COMPRESSION 5-3, 8-11
SPRING, DRIVE CLUTCH 10-3
SPRING, ENGINE VALVE 7-9
SPRING, FORWARD/REVERSE CAM 6-5
SPRING, PARK BRAKE TORSION 4-5
SPRING, REAR LEAF 5-11
SPRING, RETURN 4-7, 8-11
SPRING, SYNCHRONIZER 11-5
SPRING, TAPERED COMPRESSION 5-3
SPRING, TAPERED LEAF 5-9
SPRING, THROTTLE RETURN 8-7
SPRING, WIPER SWITCH BRUSH 12-9, 12-23
SPRING, YOKE 5-5
SPRING—GREEN 10-5
STAND-OFF, RESISTOR COIL 12-11
STARTER/GENERATOR 6-11, 6-13
STATOR SHELL 14-3, 14-5, 14-7
WEDGE 5-3
STEERING COLUMN 5-3
STEERING COLUMN BEARING PRESS 16-5
STEERING COLUMN MOUNTING BRACKET 5-3
STEERING COLUMN RETAINING RING 16-5
STEERING GEAR BOX 5-5
STEERING WHEEL PULLER TOOL 16-5
STEM, VALVE 2-3
STIFFENER, FLYWHEEL SIDE 7-15
STRAP, A-PLATE 5-7
STRAP, BAG 1-13
STUD 7-15
STUD, BALL 4-7, 6-5, 6-7, 11-3
STUD, LUG 5-9, 11-7, 15-3, 15-5
STUD, SHORT BALL 12-9, 12-23
STUD, WIPER SWITCH ADJUSTING 12-9, 12-23
SUPPORT, ACCELERATOR PIVOT ROD 4-7
SUPPORT, FRONT BODY 1-7, 1-9
SUPPORT, SEAT BACK 1-13
SWEATER BASKET 1-13
SWITCH BRUSH 12-9, 12-23

SWITCH, 4-POSITION, SLIDE 13-11, 13-13
SWITCH, FORWARD/REVERSE 12-27
SWITCH, KEY 6-9, 12-3
SWITCH, LIMIT 6-5, 6-7, 12-7, 12-9, 12-17, 12-23
SWITCH, LIMIT, SEALED 12-17
SWITCH, TOW/RUN 12-27
SYSTEM, EXHAUST 9-3

T

TAB, MOUNTING 12-31
TACHOMETER 16-5
TAPPET 7-11
TERMINAL HARDWARE 6-11
TERMINAL INSULATOR 6-11
TIE, WIRE 12-3, 12-13, 12-23, 12-27, 12-33
TIMER 13-3, 13-5, 13-7
TIRE, UNMOUNTED 2-3
T-NUT, SLAB BASE 1-5
TRANSAXLE 15-3, 15-5
TRANSFORMER 13-3, 13-5, 13-7, 13-9, 13-11, 13-13
TRANSMISSION TOOL KIT 16-5
TRIM, FRONT BODY 1-5
TUBE, CRANKCASE VENT 8-7
TUBE, OIL FILLER 7-3
TUNE-UP KIT 16-5

U

UNITIZED TRANSAXLE 11-3

V

VALVE 7-9
VALVE CLEARANCE ADJUSTER SCREW HOLDER 16-5
VALVE GUIDE REAMER 16-5
VALVE SEAT CUTTER 16-5
VALVE SEAT CUTTER GUIDE 16-5
VALVE SEAT CUTTER T-WRENCH 16-5
VALVE SPRING COMPRESSOR 16-5
VALVE, CHOKE 8-11
VALVE, EXHAUST 7-9
VALVE, FUEL PICKUP TUBE 8-3
VALVE, INTAKE 7-9
V-GLIDE WIPER SWITCH 12-9
VOLT OHM METER 16-5
VOLTAGE REGULATOR 6-7
VOLTAGE SUPPRESSOR 13-9, 13-11, 13-13

W

WASHER, KINGPIN WAVE 5-9
WASHER, SPRING 11-5
WASHER, STOP 5-5
WASHER, THRUST 10-3, 11-5
WASHER, WAVE 6-5
WEIGHT, COUNTERBALANCE 7-13
ASSEMBLY, WHEEL 2-3
WHEEL RIM 2-3
WHEEL, STEERING 5-3
WIPER SWITCH 12-23
WIPER SWITCH CASE 12-9, 12-23
WIRE AND TERMINAL 12-15, 12-21, 12-25, 12-33
WIRE ASSEMBLY 6-3, 6-7, 6-9, 6-13, 7-3,

12-5, 12-9, 12-13, 12-15, 12-19, 12-23,
12-25, 12-29, 13-9, 13-11, 13-13

WIRE ASSEMBLY, SENSE LEAD 12-19, 12-
29

WIRE HARNESS 6-3, 12-15, 12-25

WIRE TIE 5-5

WIRE, LEAD 7-5

CLUB CAR

INGERSOLL-RAND

Golf Cars

Club Car Inc.
P.O. Box 204658
Augusta, GA 30917-4658