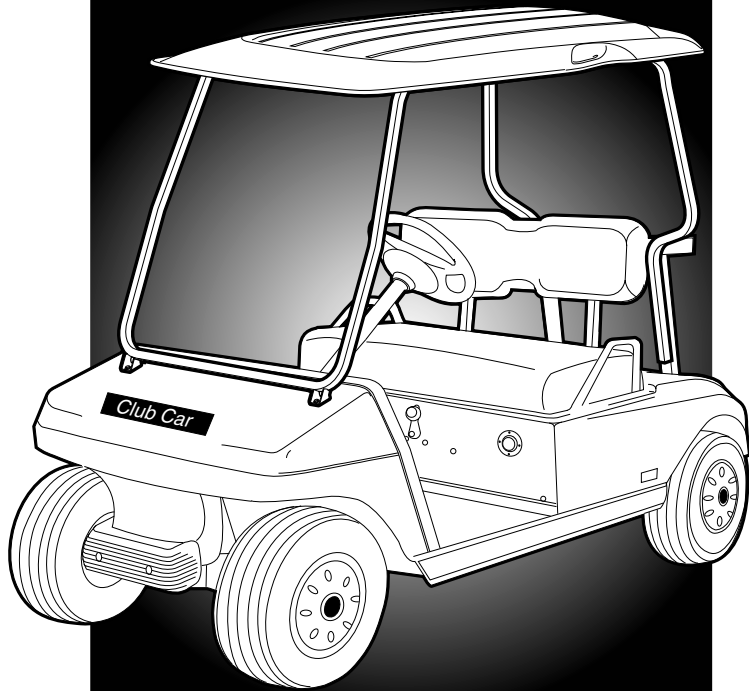


**2004-2005  
ILLUSTRATED  
PARTS LIST**



**DS GOLF CARS  
GASOLINE/ELECTRIC**

MANUAL NUMBER 102397501  
EDITION CODE 1004C1205B



# USING THE ILLUSTRATED PARTS LIST

---

## **WARNING**

- **This manual is to be used only for identification and ordering of service parts. Be sure to read and use the maintenance and service manual before attempting any vehicle repairs.**

This manual covers all 2004 and 2005 Club Car® DS Tranquility®, DS V-Glide 36-Volt, DS PowerDrive® System 48™, and IQ System™ vehicles.

The manual is divided into 16 sections. Sections 1 through 5 pertain to both gasoline and electric vehicles, sections 6 through 11 pertain to gasoline vehicles only, sections 12 through 15 pertain to electric vehicles only, and section 16 pertains to tools that are used on all Club Car products. Note that there are two or three flags on the outside edge of each page. The first flag contains the section number of which that page is a part. The other flag (or flags) contains either the letter G, E, or D signifying that the page pertains to either the gasoline, electric, or diesel vehicle only, or to all gasoline, electric and diesel vehicles.

Use the Table of Contents to find the sections and pages that contain the parts and assemblies you seek. The Table of Contents lists section numbers, and under them, the individual page titles and numbers to be found in that section. The index can be used to find specific parts and assemblies. The index is divided into numerical and alphabetical listings with the page numbers in italic text.

There is a two-page spread for each individual page title in the Table of Contents. On the left-hand page is an illustration showing the parts in their relative positions; the parts are each tagged with an item number in a balloon. The right-hand page is the parts list page, and gives the page title at the top, then the item numbers (corresponding to the numbers on the illustration), part descriptions, and quantity of parts used. Some item numbers have more than one part number because several configurations of a component are represented together on one spread.

Note that a part description may be indented. This indention corresponds to a parts assembly level indicated by the numbers 1, 2, 3, and 4 at the top left corner of the parts description area of the parts list page. A part that is indented to *level 2* is a component of the *level 1* part (assembly) that it is listed under. A *level 3* part is a component of the *level 2* part that it is listed under, and a *level 4* part is a component of the *level 3* part preceding it. In each case, the part quantity given for a level 2, 3, or 4 part *is the quantity used per next higher level assembly of which it is a component*. A part that is not indented is a *level 1* part. This means that the quantity given is the quantity used per the portion of the vehicle illustrated on that particular spread.

## HOW TO ORDER PARTS

Replacement parts and accessories can be obtained from our network of authorized dealers and distributors. You can obtain the name and phone number of your closest Club Car contact by visiting our web site at [www.clubcar.com](http://www.clubcar.com) and clicking on the “*Distributor Search*” link or by calling our toll-free Service Parts and Technical Assistance hotline at (800) 872-2246 or (706) 863-3000, extension 3281 or 3854.



P. O. Box 204658  
Augusta, Georgia 30917-4658 USA  
Telephone 706-863-3000  
Service Parts Fax 706-855-7413  
[www.clubcar.com](http://www.clubcar.com)

**NOTE:** *This illustrated parts list represents the most current information at the time of publication. Club Car, Inc. is continually working to further improve its vehicles and other products. These improvements may affect the parts used to service the vehicle. Any modification and/or significant change in specifications will be forwarded to all Club Car and Carryall distributors/dealers and will, when applicable, appear in future editions of this illustrated parts list.*

*Club Car, Inc. reserves the right to change specifications and designs at any time without notice and without the obligation of making changes to units previously sold.*

Copyright © 2004 Club Car, Inc.  
*Club Car, ArmorFlex, PowerDrive*  
and *Tranquility* are registered trademarks of Club Car, inc.  
This manual effective July 22, 2003.

*2004-2005 DS Golf Cars Illustrated Parts List*

# CONTENTS

---

## SECTION 1 – BODY AND TRIM

---

Body Trim .....	1-3
Front Body .....	1-5
Rear Body and Fender – Gasoline Vehicle .....	1-7
Rear Body and Fender – Electric Vehicle .....	1-9
Seat Bottom and Armrest .....	1-11
Seat Back and Bag Hoop .....	1-13
Canopy .....	1-15

## SECTION 2 – WHEELS AND TIRES

---

Wheels and Tires .....	2-3
------------------------	-----

## SECTION 3 – DECALS

---

Decals – Gasoline Vehicle .....	3-3
Decals – Electric Vehicle .....	3-5

## SECTION 4 – BRAKES, PEDAL, AND CABLE ASSEMBLIES

---

Brake Assembly .....	4-3
Brake Pedal and Cable Assembly .....	4-5
Accelerator Pedal Assembly .....	4-7

## SECTION 5 – STEERING, FRONT AND REAR SUSPENSION

---

Steering Column .....	5-3
Steering Gear Assembly .....	5-5
Front Suspension, Upper .....	5-7
Front Suspension, Lower .....	5-9
Rear Suspension .....	5-11

## SECTION 6 – ELECTRICAL SYSTEM – GASOLINE VEHICLE

---

Wiring – Gasoline Vehicle .....	6-3
Forward/Reverse Shifter Assembly – Gasoline Vehicle .....	6-5
Electrical Component Box – Gasoline Vehicle .....	6-7
Electrical Components, Front Body – Gasoline Vehicle .....	6-9
Starter/Generator Assembly .....	6-11
Starter/Generator Mounting .....	6-13
Battery – Gasoline Vehicle .....	6-15

# CONTENTS

---

## SECTION 7 – FE290 ENGINE

---

FE290 Engine – Shrouds and Brackets .....	7-3
FE290 Engine – Ignition Components and Flywheel .....	7-5
FE290 Engine – Oil Circulation .....	7-7
FE290 Engine – Cylinder Head .....	7-9
FE290 Engine – Crankcase, Camshaft and Oil Sensor .....	7-11
FE290 Engine – Crankcase and Crankshaft .....	7-13
Engine Mounting .....	7-15

---

## SECTION 8 – FUEL, INTAKE, AND GOVERNOR SYSTEMS

---

Fuel System .....	8-3
Carburetor Assembly .....	8-5
Carburetor Installation .....	8-7
Governor and Accelerator Cables .....	8-9
Intake Duct, Choke, and Air Box Assembly .....	8-11

---

## SECTION 9 – EXHAUST SYSTEM

---

Exhaust System .....	9-3
----------------------	-----

---

## SECTION 10 – TORQUE CONVERTER

---

Drive Clutch .....	10-3
Driven Clutch .....	10-5

---

## SECTION 11 – UNITIZED TRANSAXLE

---

MC008C-ES00 Prior To Serial Number MC008C3H1264 – Gear Cases and Brackets .....	11-3
MC008C-ES00 Prior To Serial Number MC008C3H1264 – Transmission and Gear Reduction .....	11-5
MC008C-ES00 Prior To Serial Number MC008C3H1264 – Differential and Axles .....	11-7
MC008C-ES00 After Serial Number MC008C3H1264 – Gear Cases and Brackets .....	11-9
MC008C-ES00 After Serial Number MC008C3H1264 – Transmission and Gear Reduction .....	11-11
MC008C-ES00 After Serial Number MC008C3H1264 – Differential and Axles .....	11-13

---

## SECTION 12 – ELECTRICAL SYSTEM – ELECTRIC VEHICLE

---

Electrical Components, Front Body – Electric Vehicle .....	12-3
Wiring – V-Glide 36-Volt Vehicle .....	12-5
Forward/Reverse Switch – V-Glide 36-Volt Vehicle .....	12-7
Wiper Switch – V-Glide 36-Volt Vehicle .....	12-9
Resistor and Board Assembly – V-Glide 36-Volt Vehicle .....	12-11
Batteries, Charger Receptacle, Solenoid – V-Glide 36-Volt Vehicle .....	12-13

# CONTENTS

---

Forward/Reverse Switch – PowerDrive System 48 Vehicle .....	12-15
Batteries, Charger Receptacle – PowerDrive System 48 Vehicle .....	12-17
Computer, Controller, and Solenoid – PowerDrive System 48 Vehicle .....	12-19
Motor Controller Output Regulator (MCOR) .....	12-21
Wiring – PowerDrive System 48 Vehicle .....	12-23
Wiring – IQ System Vehicle with Motor Controller Output Regulator (MCOR) .....	12-25
Forward/Reverse Switch, Tow/Run Switch – IQ System Vehicle .....	12-27
Batteries, Charger Receptacle – IQ System Vehicle .....	12-29
Computer, Controller, and Solenoid – IQ System Vehicle .....	12-31

## SECTION 13 – ELECTRIC MOTOR

---

Motor – V-Glide 36-Volt Vehicle .....	13-3
Motor – PowerDrive System 48 Vehicle .....	13-5
Motor (MODEL 5BC59JBS6365) – IQ System Vehicle .....	13-7
Motor (Model EJ4-4001) – IQ System Vehicle .....	13-9

## SECTION 14 – TRANSAXLE – ELECTRIC VEHICLE

---

Transaxle, Type G – Electric Vehicle .....	14-3
Transaxle, Type K – Electric Vehicle .....	14-5

## SECTION 15 – BATTERY CHARGER

---

Accu-Power Battery Charger, Domestic – V-Glide 36-Volt Vehicle .....	15-3
Accu-Power Battery Charger, Export, 230-Volt – V-Glide 36-Volt Vehicle .....	15-5
Accu-Power Battery Charger, Export, 100-Volt – V-Glide 36-Volt Vehicle .....	15-7
PowerDrive Battery Charger, Domestic .....	15-9
PowerDrive 2 Battery Charger, Domestic .....	15-11
GE PowerDrive Battery Charger, Domestic .....	15-13
PowerDrive Battery Charger, Export .....	15-15
PowerDrive Battery Charger, European .....	15-17

## SECTION 16 – MAINTENANCE AND SERVICE TOOLS

---

Maintenance and Service Tools .....	16-3
Maintenance and Service Tools, Continued .....	16-5
Maintenance and Service Tools, Continued .....	16-7
Maintenance and Service Tools, Continued .....	16-9
Maintenance and Service Tools, Continued .....	16-11





# BODY AND TRIM

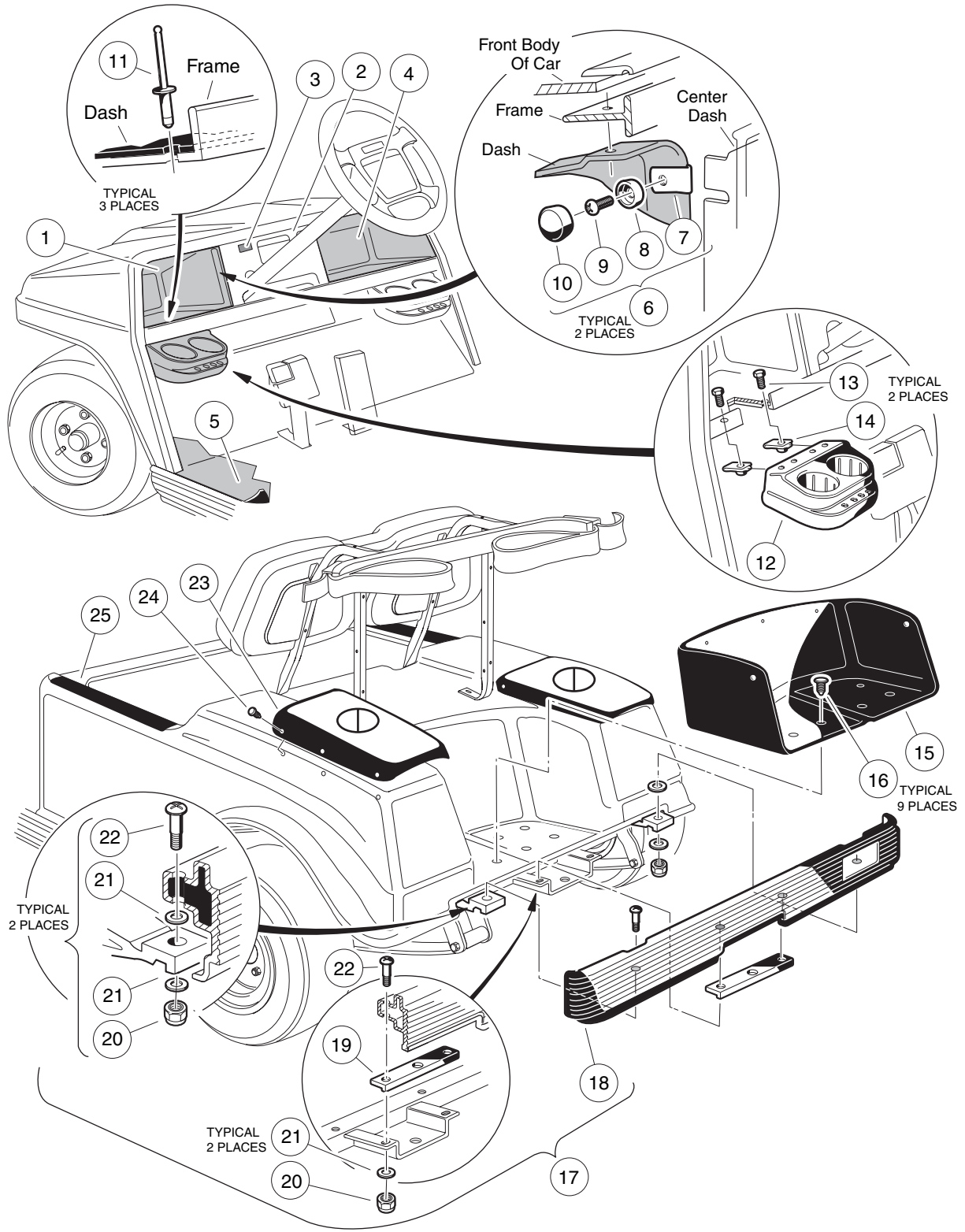
---

1

G

E

**1**  
**G**  
**E**

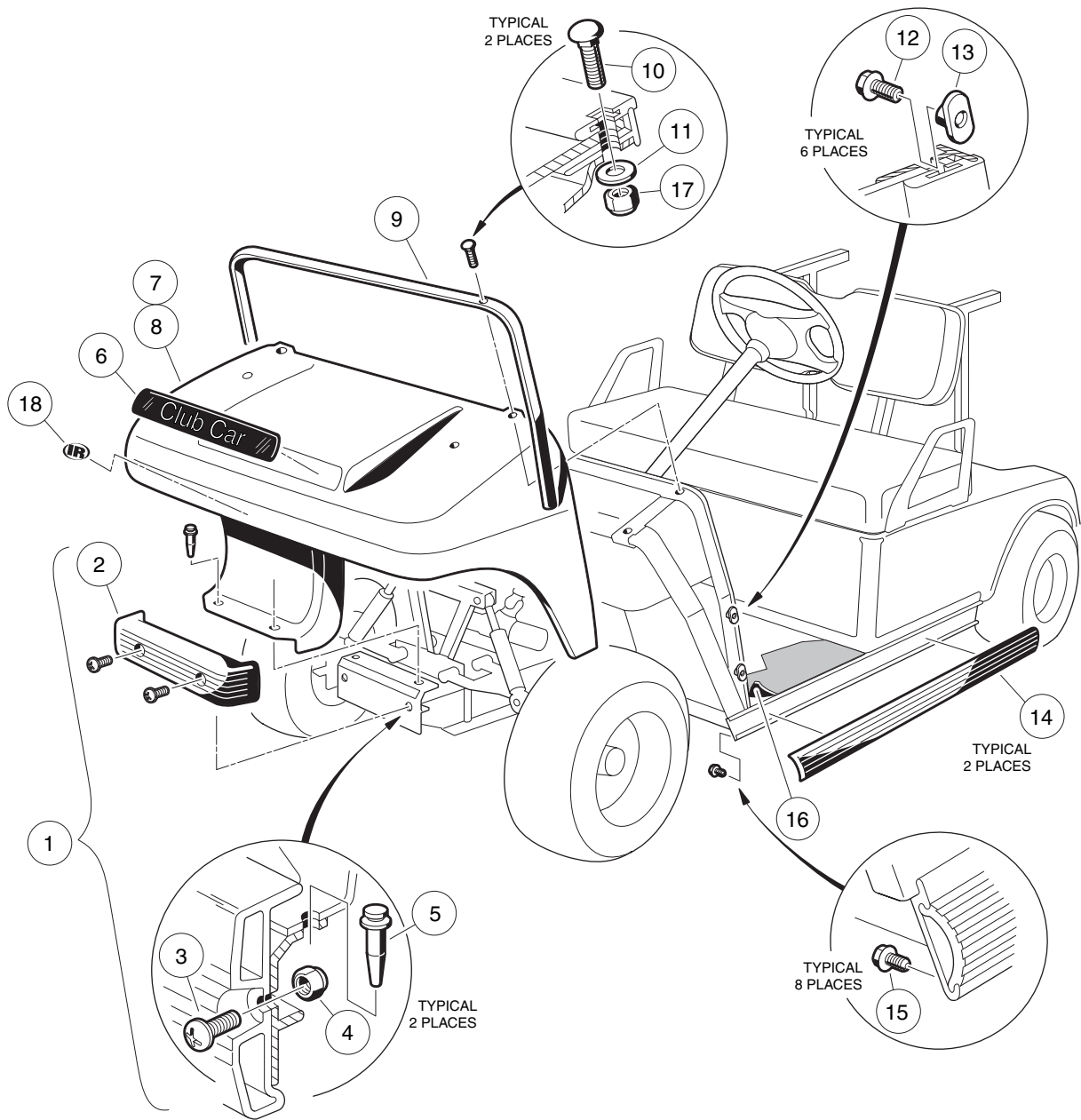


# BODY TRIM

ITEM	PART NO.	DESCRIPTION	QTY GAS	QTY ELEC
		1 2 3 4		
1	1013344	Component, Driver-Side Dash, Black .....	1	1
2	101660404	Panel, Center Dash, Black .....	1	1
3	101802601	Plug, Hole (V-Glide 36-Volt vehicle only) .....		1
4	1013343	Component, Passenger-Side Dash, Black .....	1	1
5	1015032	Mat, Floor .....	1	1
6	1014645	Kit, Snap Washer, Black (includes items 7 - 10) .....	2	2
7	1011019	Nut, Speed .....	1	1
8	1011382	Washer, #10 .....	1	1
9	1620	Screw, #10 Sheet Metal .....	1	1
10	1013494	Cover, Screw Head .....	1	1
11	7973	Rivet, Aluminum Pop, 3/16 .....	3	3
12	101708301	Kit, Drink Holder (includes items 13 and 14) .....	2	2
13	7847	Screw, Hex-Head Cap, 1/4-20 x 3/4 .....	2	2
14	1016952	U-Nut, 1/4-20 .....	2	2
15	101768202	Kit, Bagwell Protector (includes item 16) .....	1	1
16	1010434	Fastener, Plastic Barrel .....	9	9
17	1017079	Kit, Rear Bumper (includes items 18 - 22) .....	1	1
18	1016379	Bumper, Rear .....	1	1
19	1016875	Plate, Mounting, Long .....	1	1
20	7473	Nut, Nylon Lock, 5/16-18 .....	4	4
21	1011697	Washer, Special, 5/16 .....	6	6
22	1016876	Bolt, Phillips Truss-Head Shoulder, 3/8-18 x 2 .....	4	4
23	101706702	Kit, Scuff Guard (includes item 24) .....	1	1
24	1010434	Fastener, Plastic Barrel .....	12	12
25	102221201	Pad, Wear .....	2	2

**1**  
**G**  
**E**

**1**  
**G**  
**E**

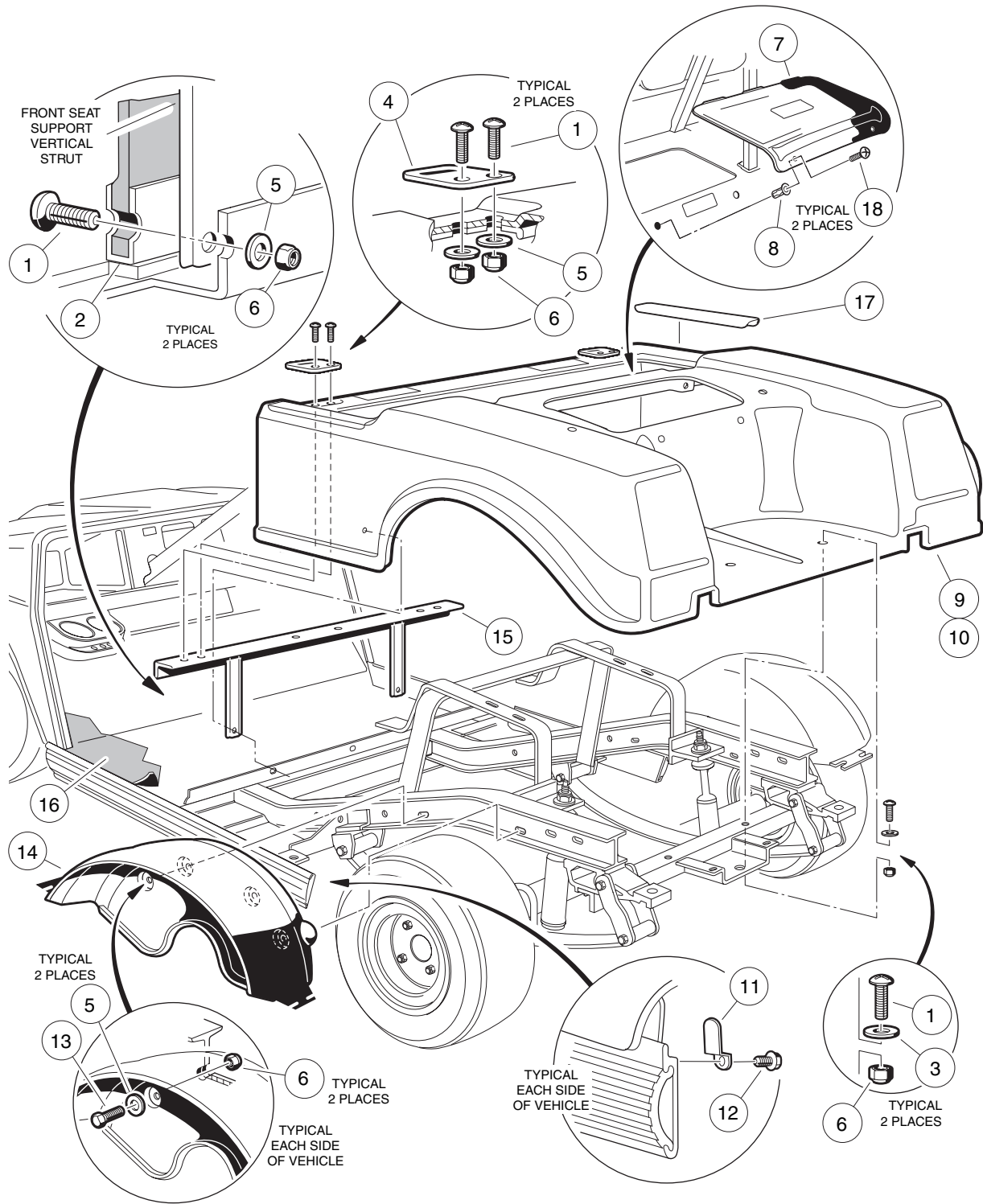


# FRONT BODY

ITEM	PART NO.	DESCRIPTION	QTY GAS	QTY ELEC
		1 2 3 4		
1	1017080	Kit, Front Bumper (includes items 2 - 5) .....	1	1
2	1016868	Bumper, Front .....	1	1
3	7251	Screw, Phillips Truss-Head, 5/16-18 x 1 .....	2	2
4	7473	Nut, Nylon Lock, 5/16-18 .....	2	2
5	1016967	Rivet, Push Type Blind .....	2	2
6	1014198	Nameplate – Gold .....	1	1
7	101692501	Body, Front – Beige .....	1	1
7	101692502	Body, Front – White .....	1	1
7	101692504	Body, Front – Gray .....	1	1
7	101692506	Body, Front – Red .....	1	1
7	101692509	Body, Front – Pacific Blue (Royal Blue) .....	1	1
7	101692510	Body, Front – Dark Green .....	1	1
7	101692511	Body, Front – Black .....	1	1
7	101692512	Body, Front – Classic Blue (Navy) .....	1	1
7	101692513	Body, Front – Burgundy .....	1	1
8	101693901	Body, Front with Headlight Opening – Beige .....	1	1
8	101693902	Body, Front with Headlight Opening – White .....	1	1
8	101693904	Body, Front with Headlight Opening – Gray .....	1	1
8	101693906	Body, Front with Headlight Opening – Red .....	1	1
8	101693908	Body, Front with Headlight Opening – Pacific Blue (Royal Blue) .....	1	1
8	101693909	Body, Front with Headlight Opening – Dark Green .....	1	1
8	101693910	Body, Front with Headlight Opening – Black .....	1	1
8	101693911	Body, Front with Headlight Opening – Classic Blue (Navy) .....	1	1
8	101693912	Body, Front with Headlight Opening – Burgundy .....	1	1
9	1011014	Trim, Front Body .....	1	1
10	1010435	Bolt, Carriage, 5/16-18 x 1 .....	2	2
11	1241	Washer, Flat, 5/16 .....	2	2
12	1011017	Screw, Flange Lock .....	6	6
13	1011394	T-Nut, Slab Base (package of 4) .....	1	1
14	101347501	Bumper, Side Guard Trim .....	2	2
15	102310701	Screw, Hex Washer-Head, #8-18 x 3/8 .....	8	8
16	1015032	Mat, Floor .....	1	1
17	7473	Nut, Nylon Lock, 5/16-18 .....	2	2
18	102259001	Emblem, IR, Golf Car .....	1	1

1  
G  
E

**1**  
**G**  
**E**

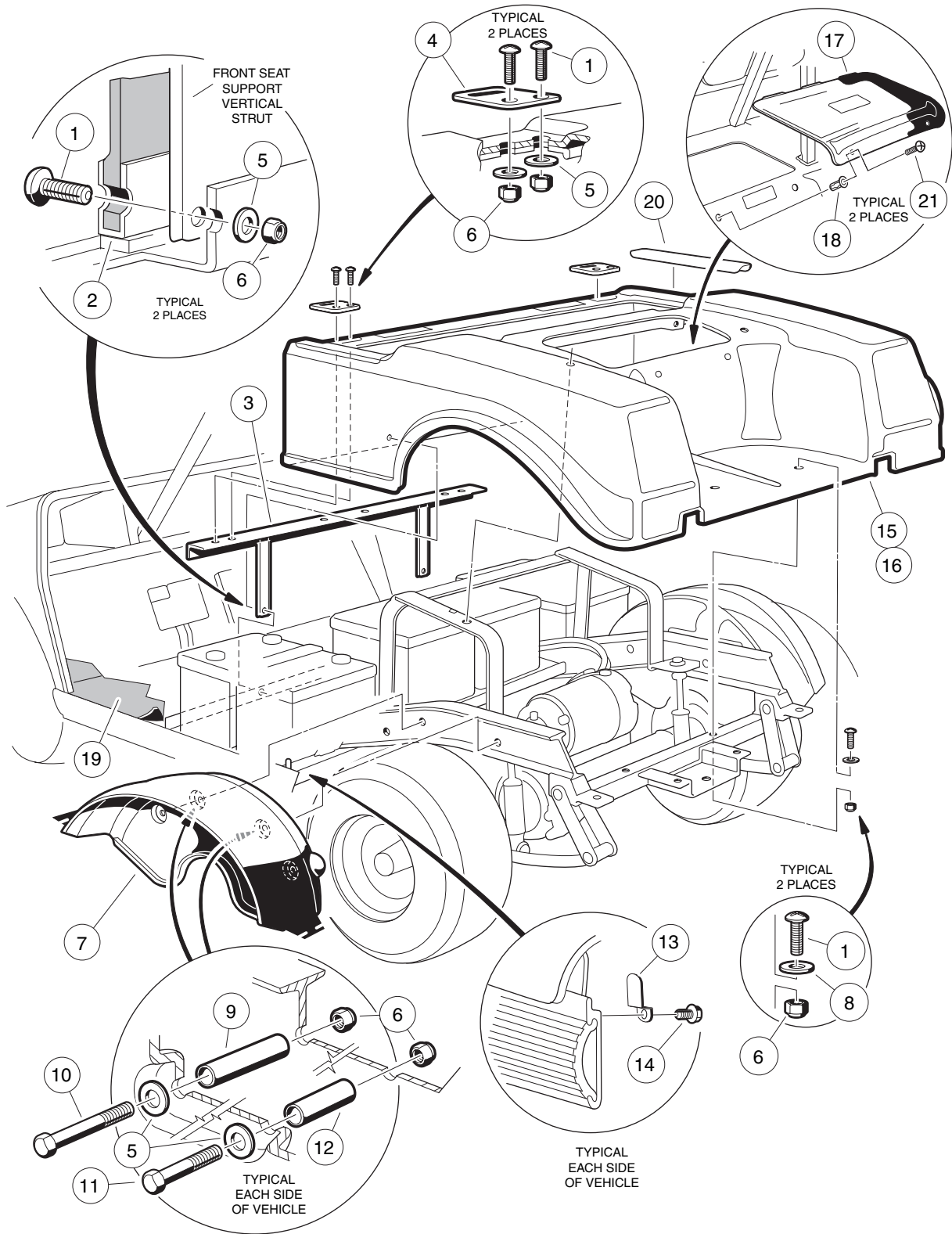


# REAR BODY AND FENDER – GASOLINE VEHICLE

ITEM	PART NO.	DESCRIPTION	QTY GAS	QTY ELEC
		1 2 3 4		
1	8251	Screw, Phillips-Head, 1/4-20 x 1 .....	8	
2	101904101	Plate, Body Kick .....	1	
3	1014306	Washer, Flat, Type B, 1/4 .....	2	
4	1012412	Plate, Body Hinge .....	2	
5	332	Washer, Flat, 1/4 .....	10	
6	8233	Nut, Nylon Lock, 1/4-20 .....	12	
7	1013032	Door, Access – Black .....	1	
8	1015525	Nut, Blind, 1/4-20 .....	2	
9	101692601	Body – Beige .....	1	
9	101692602	Body – White .....	1	
9	101692604	Body – Gray .....	1	
9	101692606	Body – Red .....	1	
9	101692609	Body – Pacific Blue (Royal Blue) .....	1	
9	101692610	Body – Dark Green .....	1	
9	101692611	Body – Black .....	1	
9	101692612	Body – Classic Blue (Navy) .....	1	
9	101692613	Body – Burgundy .....	1	
10	101696208	Body with Taillight Opening – Beige .....	1	
10	101696209	Body with Taillight Opening – White .....	1	
10	101696211	Body with Taillight Opening – Gray .....	1	
10	101696213	Body with Taillight Opening – Red .....	1	
10	101696215	Body with Taillight Opening – Pacific Blue (Royal Blue) .....	1	
10	101696216	Body with Taillight Opening – Dark Green .....	1	
10	101696219	Body with Taillight Opening – Black .....	1	
10	101696220	Body with Taillight Opening – Classic Blue (Navy) .....	1	
10	101696221	Body with Taillight Opening – Burgundy .....	1	
11	1017748	Clip, Body Keeper .....	2	
12	1012047	Screw, Self-Tapping, #8-32 x 3/8 .....	2	
13	7847	Screw, Hex-Head Cap, 1/4-20 x 3/4 .....	4	
14	1017936	Fender, Inner .....	2	
15	1017141	Support, Front Body .....	1	
16	1015032	Mat, Floor .....	1	
17	102221201	Pad, Wear .....	2	
18	8248	Screw, Phillips Truss-Head, 1/4-20 x 3/4 .....	2	

1  
G  
E

**1**  
**G**  
**E**



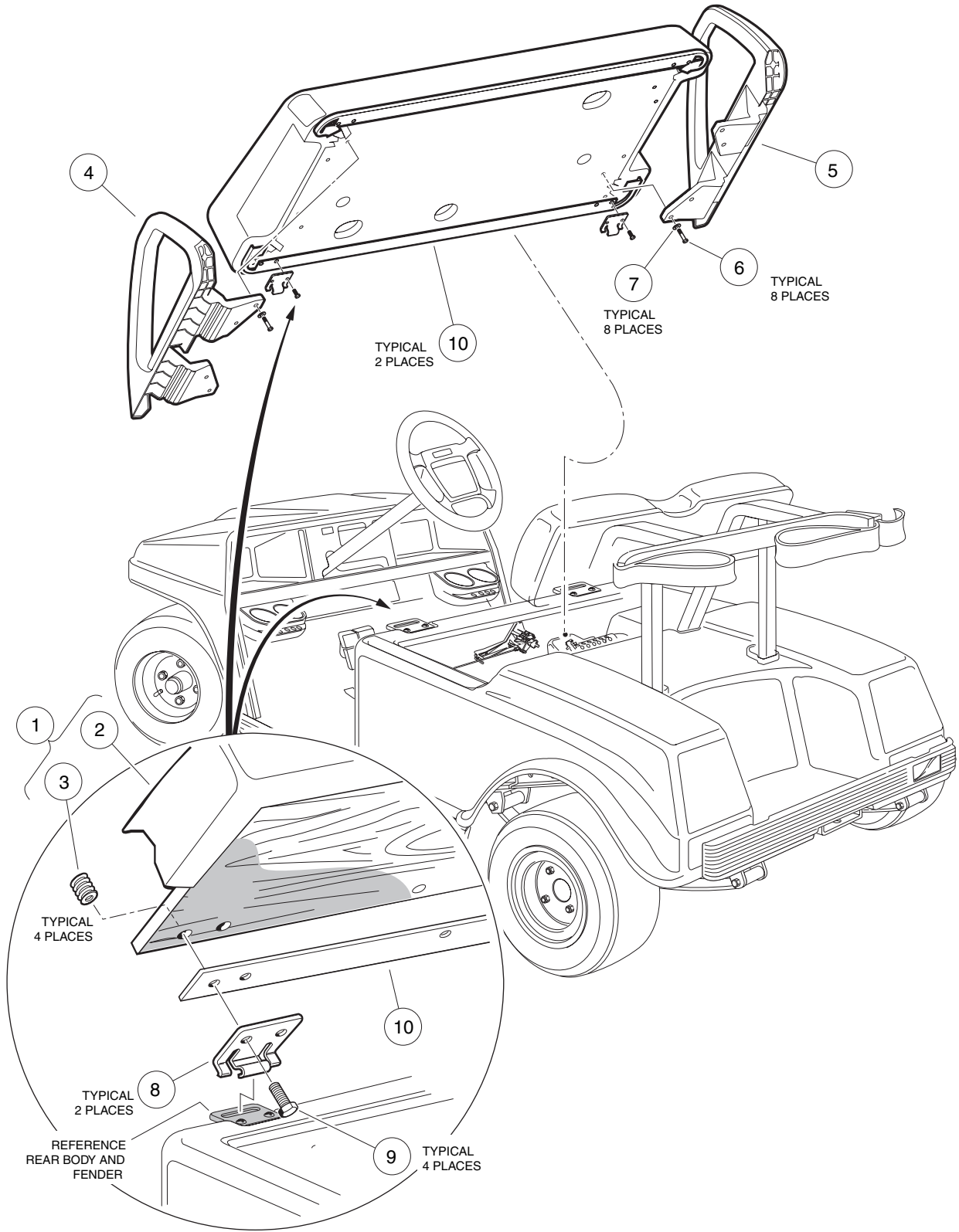


# REAR BODY AND FENDER – ELECTRIC VEHICLE

ITEM	PART NO.	DESCRIPTION	QTY GAS	QTY ELEC
		1 2 3 4		
1	8251	Screw, Phillips-Head, 1/4-20 x 1 .....		8
2	101904101	Plate, Body Kick .....		1
3	1017141	Support, Front Body .....		1
4	1012412	Plate, Body Hinge .....		2
5	332	Washer, Flat, 1/4 .....		10
6	8233	Nut, Nylon Lock, 1/4-20 .....		12
7	1017936	Fender, Inner .....		2
8	1014306	Washer, Flat, Type B, 1/4 .....		2
9	1017814	Spacer, 1-7/8 .....		2
10	1012159	Screw, Hex-Head Cap, 1/4-20 x 2-3/4 .....		2
11	7479	Screw, Hex-Head Cap, 1/4-20 x 1-1/4 .....		2
12	1017815	Spacer, 1/2 .....		2
13	1017748	Clip, Body Keeper .....		2
14	1012047	Screw, Self-Tapping, #8-32 .....		2
15	101693301	Body – Beige .....		1
15	101693302	Body – White .....		1
15	101693304	Body – Gray .....		1
15	101693306	Body – Red .....		1
15	101693309	Body – Pacific Blue (Royal Blue) .....		1
15	101693310	Body – Dark Green .....		1
15	101693311	Body – Black .....		1
15	101693312	Body – Classic Blue (Navy) .....		1
15	101693313	Body – Burgundy .....		1
16	101696201	Body with Taillight Opening – Beige .....		1
16	101696202	Body with Taillight Opening – White .....		1
16	101696204	Body with Taillight Opening – Gray .....		1
16	101696206	Body with Taillight Opening – Red .....		1
16	101696217	Body with Taillight Opening – Pacific Blue (Royal Blue) .....		1
16	101696218	Body with Taillight Opening – Dark Green .....		1
16	101696222	Body with Taillight Opening – Black .....		1
16	101696223	Body with Taillight Opening – Classic Blue (Navy) .....		1
16	101696224	Body with Taillight Opening – Burgundy .....		1
17	1013032	Door, Access – Black .....		1
18	1015525	Nut, Blind, 1/4-20 .....		2
19	1015032	Mat, Floor .....		1
20	102221201	Pad, Wear .....		2
21	8248	Screw, Phillips Truss-Head, 1/4-20 x 3/4 .....		2

**1**  
**G**  
**E**

**1**  
**G**  
**E**

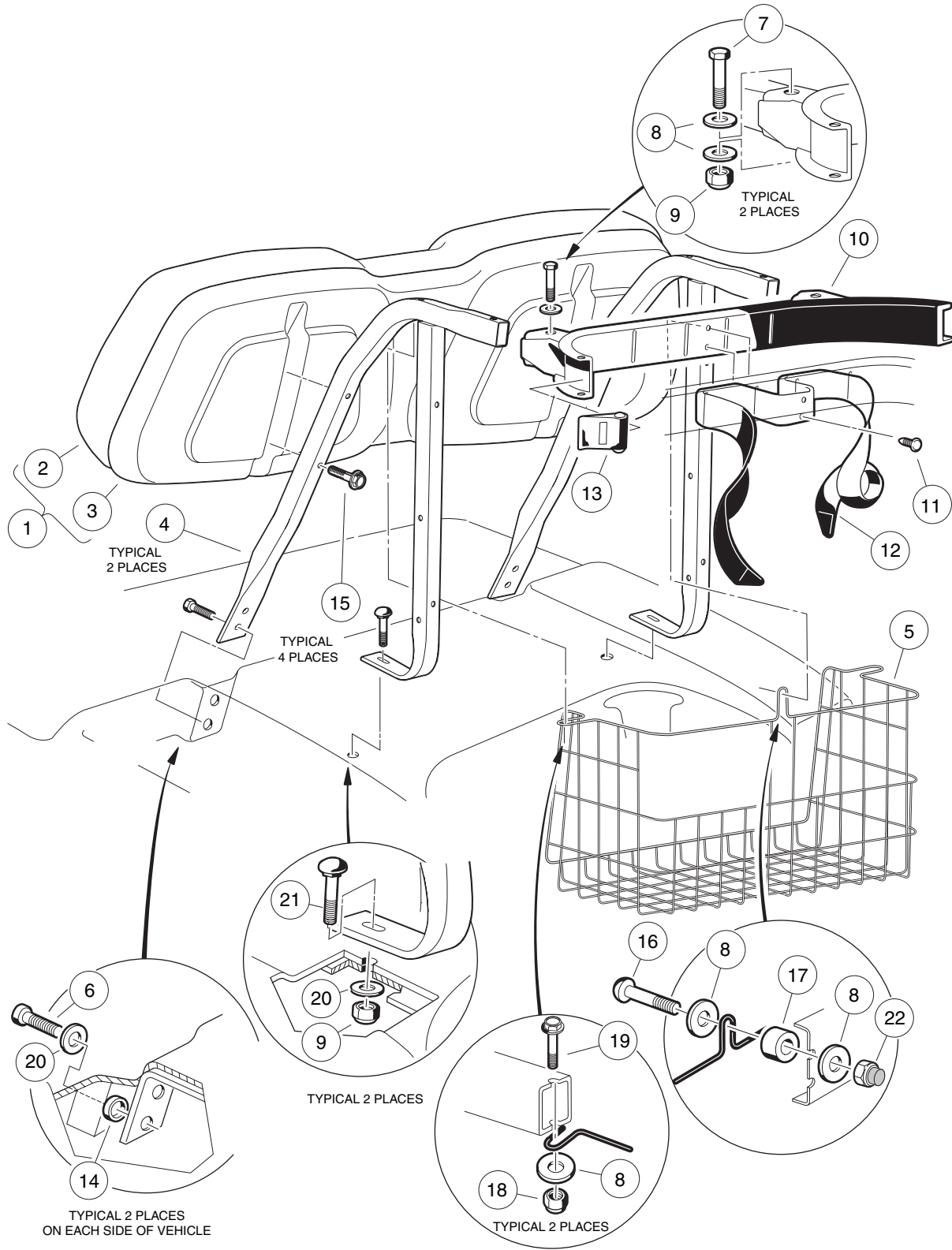


# SEAT BOTTOM AND ARMREST

ITEM	PART NO.	DESCRIPTION	QTY GAS	QTY ELEC
		1 2 3 4		
1	102174201	Assembly, Seat Bottom – Buff (includes items 2 and 3) .....	1	1
2	101998201	Cover, Vinyl Seat Bottom – Buff .....	1	1
3	1010543	Insert, Wood .....	12	12
1	102174202	Assembly, Seat Bottom – White (includes items 2 and 3) .....	1	1
2	101998202	Cover, Vinyl Seat Bottom – White .....	1	1
3	1010543	Insert, Wood .....	12	12
1	102174204	Assembly, Seat Bottom – Black (includes items 2 and 3) .....	1	1
2	101998204	Cover, Vinyl Seat Bottom – Black .....	1	1
3	1010543	Insert, Wood .....	12	12
1	102174205	Assembly, Seat Bottom – Gray (includes items 2 and 3) .....	1	1
2	101998205	Cover, Vinyl Seat Bottom – Gray .....	1	1
3	1010543	Insert, Wood .....	12	12
4	101987601	Armrest, Driver-Side .....	1	1
5	101985501	Armrest, Passenger-Side .....	1	1
6	1016916	Screw, Hex-Head Cap, 1/4-20 x 1-1/2 .....	8	8
7	332	Washer, Flat, Type A .....	8	8
8	1011652	Plate, Seat Hinge, Stainless Steel .....	2	2
9	101954301	Screw, Hex-Head Cap, 1/4-20 x 3/4 (with patch) .....	4	4
10	101998501	Gasket, Seat .....	2	2

1  
G  
E

**1**  
**G**  
**E**

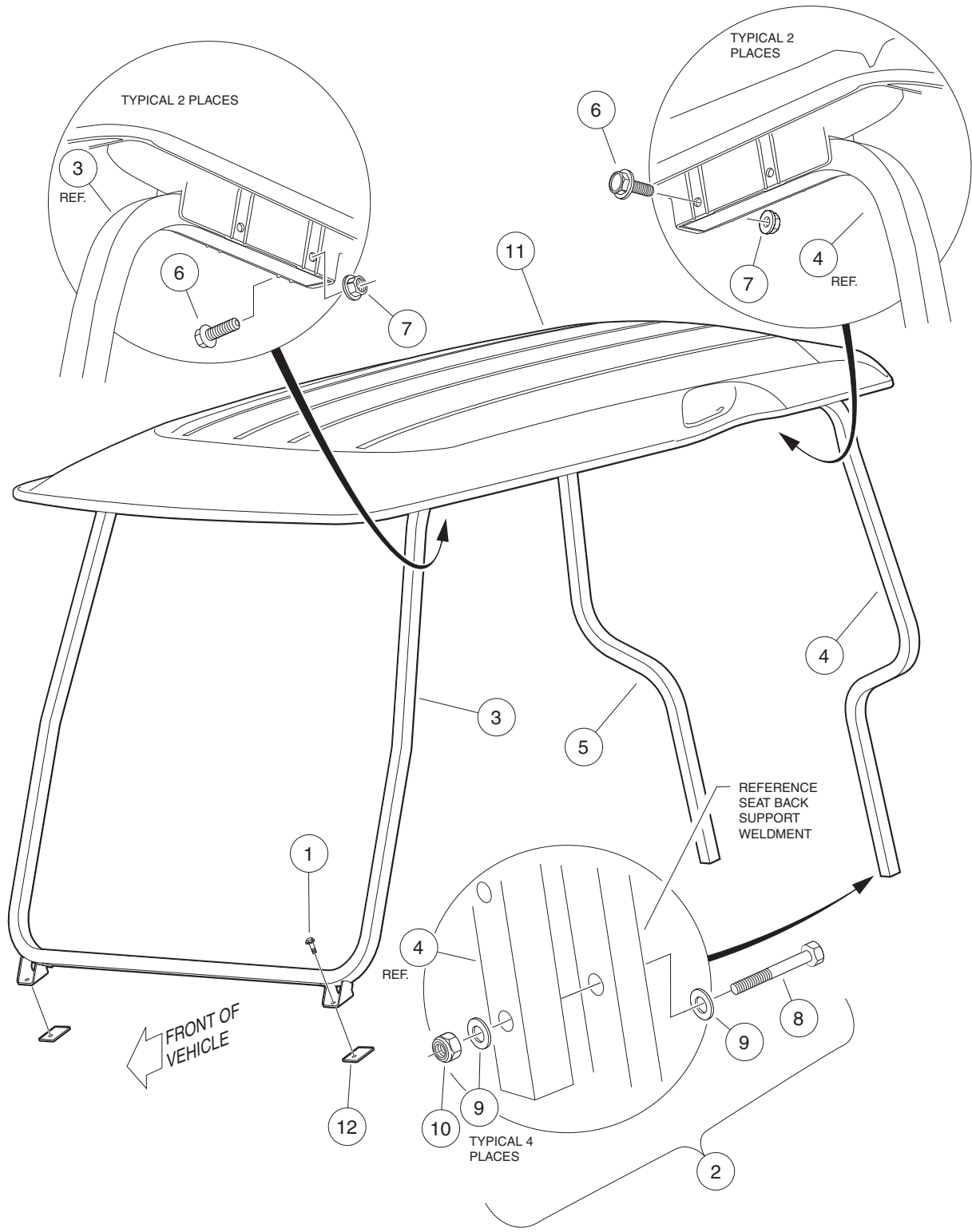


# SEAT BACK AND BAG HOOP

ITEM	PART NO.	DESCRIPTION	QTY GAS	QTY ELEC
		1 2 3 4		
1	102238301	Assembly, Seat Back – Buff (includes items 2 and 3) .....	1	1
2	102060501	Cover, Vinyl, Seat Back – Buff .....	1	1
3	102237001	Cap, Seat Back – Black .....	1	1
1	102238302	Assembly, Seat Back – White (includes items 2 and 3) .....	1	1
2	102060502	Cover, Vinyl, Seat Back – White .....	1	1
3	102237001	Cap, Seat Back – Black .....	1	1
1	102238304	Assembly, Seat Back – Black (includes items 2 and 3) .....	1	1
2	102060504	Cover, Vinyl, Seat Back – Black .....	1	1
3	102237001	Cap, Seat Back – Black .....	1	1
1	102238305	Assembly, Seat Back – Gray (includes items 2 and 3) .....	1	1
2	102060505	Cover, Vinyl, Seat Back – Gray .....	1	1
3	102237001	Cap, Seat Back – Black .....	1	1
4	102236601	Weldment, Support, Seat Back .....	2	2
5	102236703	Basket, Sweater .....	1	1
6	101910401	Screw, Self-Tapping, 5/16-18 x 1-1/4 .....	4	4
7	1010921	Screw, Hex-Head Cap, 5/16-18 x 2-1/2 .....	2	2
8	1015075	Washer, Flat, 5/16 .....	8	8
9	7473	Nut, Nylon Lock, 5/16-18 .....	4	4
10	1013935	Assembly, Bag Hoop (includes items 11 - 13) .....	1	1
11	1010434	Fastener, Plastic Barrel .....	2	2
12	1010413	Strap, Bag .....	1	1
13	1013754	Buckle, Bag Strap .....	2	2
14	1017774	Spacer, Body .....	4	4
15	102076701	Screw, SEMS (with patch) 1/4-20 x 1-3/4 .....	4	4
16	8418	Screw, Phillips Truss-Head, 1/4-20 x 1-1/2 .....	1	1
17	1014482	Spacer, Nylon .....	1	1
18	1028	Nut, Hex, 1/4-20 .....	2	2
19	7479	Screw, Hex-Head Cap, 1/4-20 x 1-1/4 .....	2	2
20	1241	Washer, Flat, 5/16 .....	6	6
21	7818	Bolt, Carriage, 5/16-18 x 1-1/2 .....	2	2
22	102242401	Nut, Nylon Insert with Cap, 1/4-20 .....	1	1

**1**  
**G**  
**E**

**1**  
**G**  
**E**



# CANOPY

ITEM	PART NO.	DESCRIPTION	QTY GAS	QTY ELEC
		1 2 3 4		
1	102099101	Screw, SEMS (with patch) 5/16-18 x 1 .....	2	2
2	102155501	Kit, Support (includes items 3 - 10) .....	1	1
3	102063901	Weldment, Windshield .....	1	1
4	102065501	Support, Rear Canopy (driver side) .....	1	1
5	102064601	Support, Rear Canopy (passenger side) .....	1	1
6	102076701	Screw, SEMS, (with patch) 1/4-20 x 1-3/4 .....	8	8
7	101835601	Nut, Flange, 1/4-20 .....	8	8
8	324	Screw, Hex-Head Cap, 1/4-20 x 2-1/2 .....	4	4
9	332	Washer, Flat, 1/4 .....	8	8
10	8233	Nut, Lock, 1/4-20 .....	4	4
11	102061301	Canopy – White .....	1	1
11	102061302	Canopy – Beige .....	1	1
12	102198301	Pad, Mounting (windshield frame) .....	2	2

**1**  
**G**  
**E**

1

G

E



# WHEELS AND TIRES

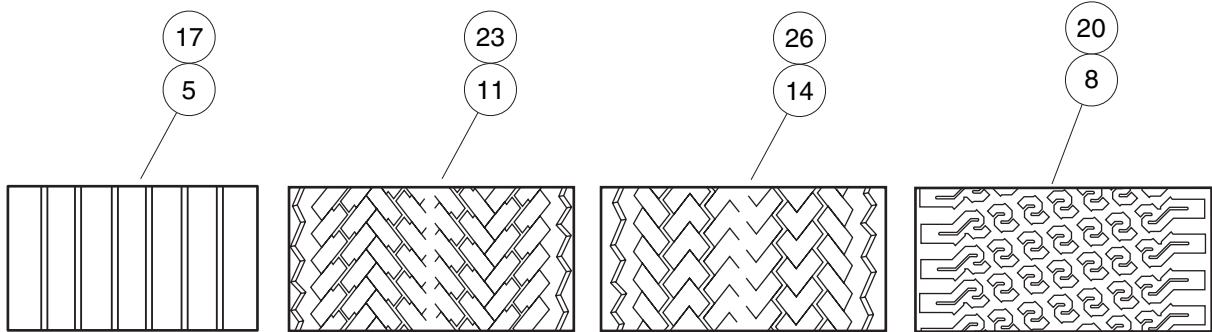
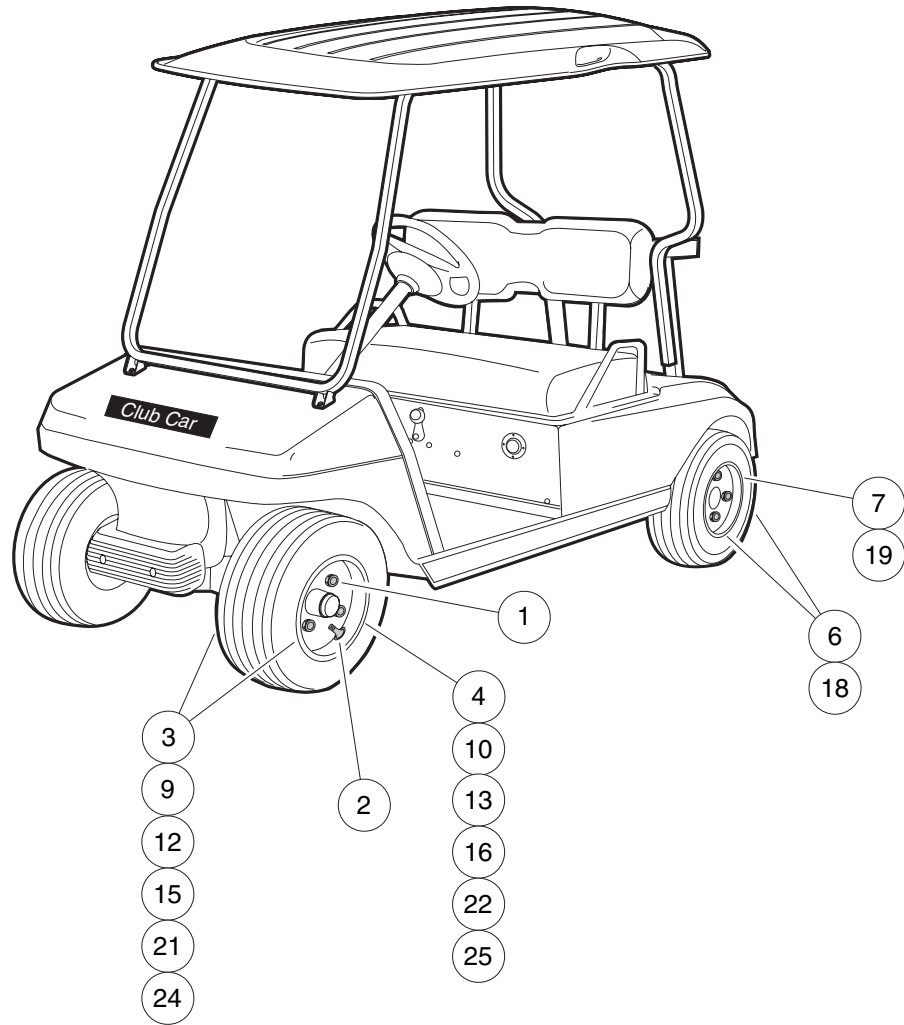
---

2

G

E

**2  
G  
E**



**STANDARD TREAD**  
Carlisle®

**PERFORMANCE  
GRADE TREAD**  
Duro®

**PREMIUM TREAD**  
Kenda®

**EXTRA TRACTION**  
Duro

Note: The performance grade tire has the wheel and tire matched and balanced at the Duro tire factory.

# WHEELS AND TIRES

ITEM	PART NO.	DESCRIPTION	QTY GAS	QTY ELEC
		1 2 3 4		
1	1010984	Nut, Lug .....	16	16
2	7310	Stem, Valve * .....	1	1
3	101570501	Assembly, Wheel and Standard Tire (includes items 4-5) .....	4	4
4	1015707	Wheel Rim – Beige .....	1	1
5	727102	Tire, Unmounted, Standard Tread (18 x 8.50 - 8) (Carlisle®) .....	1	1
6	101570507	Assembly, Wheel and Extra Traction Tire (includes items 7 - 8) .....	2	2
7	1015707	Wheel Rim – Beige .....	1	1
8	101769302	Tire, Unmounted, Extra Traction, 6-Ply Rated (18 x 8.50 - 8) (Duro®) ...	1	1
9	101570512	Assembly, Wheel and Performance Grade Tire (includes items 10 - 11) ...	4	4
10	1015707	Wheel Rim – Beige .....	1	1
11	****	Tire, Unmounted, Performance Grade Tread (18 x 8.50 - 8) (Duro) .....	1	1
12	101570513	Assembly, Wheel and Premium Grade Tire (includes items 13 - 14) .....	4	4
13	1015707	Wheel Rim – Beige .....	1	1
14	****	Tire, Unmounted, Premium Tread (18 x 8.50 - 8) (Kenda®) .....	1	1
15	101651401	Assembly, Wheel and Standard Tire (includes items 16 - 17) .....	4	4
16	1014771	Wheel Rim – White .....	1	1
17	727102	Tire, Unmounted, Standard Tread (18 x 8.50 - 8) (Carlisle) .....	1	1
18	101651407	Assembly, Wheel and Extra Traction Tire, (includes items 19 - 20) .....	2	2
19	1014771	Wheel Rim – White .....	1	1
20	101769302	Tire, Unmounted, Extra Traction, 6-Ply Rated (18 x 8.50 - 8) (Duro) .....	1	1
21	101651412	Assembly, Wheel and Performance Grade Tire (includes items 22 - 23) ...	4	4
22	1014771	Wheel Rim – White .....	1	1
23	****	Tire, Unmounted, Performance Grade Tread (18 x 8.50 - 8) (Duro) .....	1	1
24	101651413	Assembly, Wheel and Premium Grade Tire (includes items 25 - 26) .....	4	4
25	1014771	Wheel Rim – White .....	1	1
26	****	Tire, Unmounted, Premium Tread (18 x 8.50 - 8) (Kenda) .....	1	1
		* Note: Item 2 is a part of all wheel assemblies.		
		**** Special order item available upon request.		

2

G

E

2

G

E

# DECALS

---

3

G

E

**⚠ WARNING**  
**ROLLOVER OR FALLING OFF MAY CAUSE DEATH.**

- Before using vehicle, read operating instructions.
- Remain seated and hold on to seat handle while moving.
- Do not start vehicle until all occupants are seated.
- Two (2) persons per seat maximum.
- Operate from driver side only and not on public roads.
- Keep entire body inside vehicle while moving.
- Drive slowly in turns and straight up and down slopes.
- Do not leave children unattended on vehicle.
- Never operate under the influence of alcohol or drugs.
- Use brakes to reduce speed when coasting downhill.
- Never stand in front of or behind vehicle.

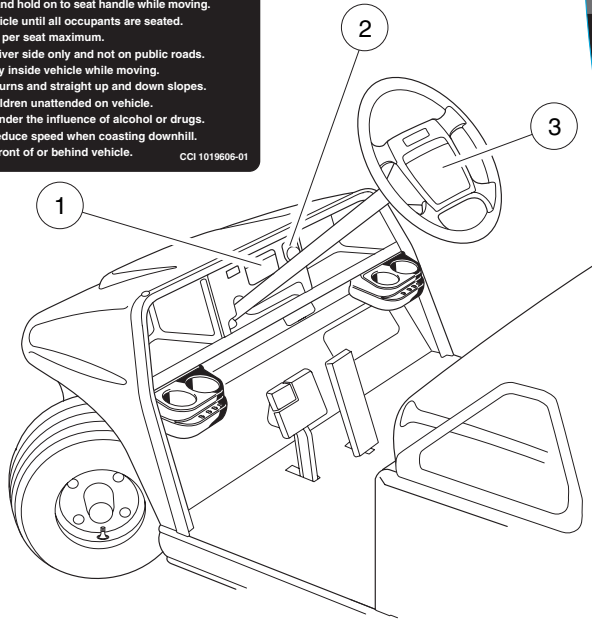
CCI 1019606-01

**OFF | ON**

**OPERATING INSTRUCTIONS**

- Read Owner's Manual and safety warnings located on dash panel prior to driving.
- Study and understand controls.
- Make sure wheels are turned in desired direction.
- Turn key to "ON" position and be sure nothing is in your path.
- While vehicle is stopped, select direction by placing shift lever or switch in desired position:  
 F-Forward N-Neutral R-Reverse (Buzzer will sound)
- Vehicle will start moving when accelerator pedal is depressed.
- Slowly depress accelerator pedal to increase speed. Park brake will release when accelerator pedal is depressed.
- To stop, release accelerator pedal and depress brake pedal.
- After stopping the vehicle:
  - Firmly depress park brake until it locks.
  - Place Forward/Reverse switch in "NEUTRAL" position.
  - Turn key "OFF" and remove key when not in use.

CCI 101921601



**⚠ WARNING**  
**CAN CAUSE SEVERE INJURY**

**Rotating parts**

**HOT manifold & muffler**

**KEEP CLEAR** CCI 1019605-01

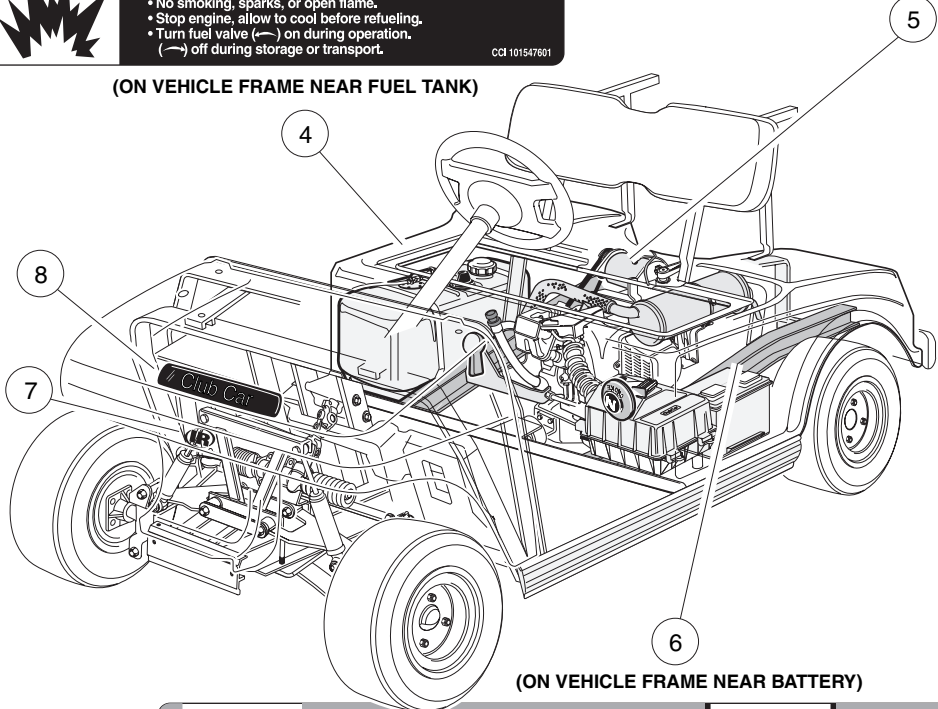
**⚠ WARNING**  
**GASOLINE EXPLOSION / FIRE.**

- Can cause severe injury or death.
- No smoking, sparks, or open flame.
- Stop engine, allow to cool before refueling.
- Turn fuel valve (←) on during operation. (→) off during storage or transport.

CCI 101547601

(ON VEHICLE FRAME NEAR FUEL TANK)

(ON STARTER/GENERATOR AND ENGINE)



(ON VEHICLE FRAME NEAR BATTERY)

**⚠ WARNING**

Negative frame ground. Can cause severe injury. Do not contact positive (+) battery post or cable to frame. Disconnect negative battery cable first.

**⚠ WARNING**

Excessive speed can cause severe injury or death. Do not tamper with engine governor adjustment.

CCI 101915201

# DECALS – GASOLINE VEHICLE

ITEM	PART NO.	DESCRIPTION	QTY GAS	QTY ELEC
		1 2 3 4		
1	101960601	Decal, Driver/Passenger Warning .....	1	
2	101825101	Decal, Key Switch .....	1	
3	101621601	Decal, Operating Instructions .....	1	
4	101547601	Decal, Gasoline Warning .....	1	
5	101960501	Decal, Rotating Parts and Hot Manifold Warning .....	2	
6	101915201	Decal, Frame Ground and Governor Warning .....	1	
7	102259001	Emblem, IR, Gold (on front body) .....	1	
8	1014198	Nameplate, Gold (on front body).....	1	

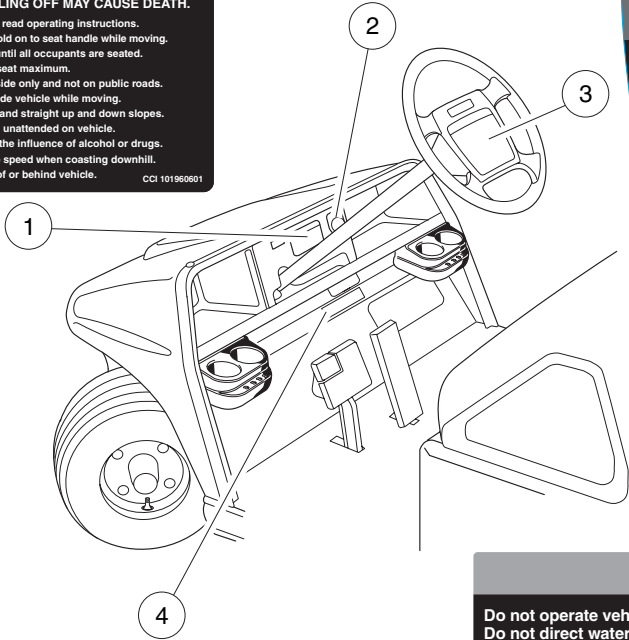
3  
G  
E

**⚠ WARNING**  
**ROLLOVER OR FALLING OFF MAY CAUSE DEATH.**

- Before using vehicle, read operating instructions.
- Remain seated and hold on to seat handle while moving.
- Do not start vehicle until all occupants are seated.
- Two (2) persons per seat maximum.
- Operate from driver side only and not on public roads.
- Keep entire body inside vehicle while moving.
- Drive slowly in turns and straight up and down slopes.
- Do not leave children unattended on vehicle.
- Never operate under the influence of alcohol or drugs.
- Use brakes to reduce speed when coasting downhill.
- Never stand in front of or behind vehicle.

CCI 10196001

**OFF | ON**



**OPERATING INSTRUCTIONS**

- Read Owner's Manual and safety warnings located on dash panel prior to driving.
  - Study and understand controls.
- Make sure wheels are turned in desired direction.
- Turn key to "ON" position and be sure nothing is in your path.
  - While vehicle is stopped, select direction by placing shift lever or switch in desired position:
    - F - Forward N - Neutral R - Reverse (Buzzer will sound)
- Vehicle will start moving when accelerator pedal is depressed.
- Slowly depress accelerator pedal to increase speed. Park brake will release when accelerator pedal is depressed.
- To stop, release accelerator pedal and depress brake pedal.
  - After stopping the vehicle:
    - Firmly depress park brake until it locks.
    - Place Forward/Reverse switch in "NEUTRAL" position.
    - Turn key "OFF" and remove key when not in use.

CCI 101621001

(ON SPEED CONTROLLER COVER)

**NOTICE**

Do not operate vehicle without this cover properly installed. Do not direct water stream in this area; will cause damage to components. See vehicle maintenance and service manual before servicing.

CCI 101931501

**IMPORTANT NOTICE**

- Maximum vehicle speed is limited by motor braking during downhill operation with accelerator pedal depressed.
- If motor brake enabled, vehicle motor will brake when accelerator pedal is released.
- Beeping alarm indicates reduction in motor braking. Apply brakes to reduce speed.
- System is activated only when tow switch is in the "RUN" position.
- When towing vehicle, tow switch must be in the "TOW" position.

10195902

**NOTICE**

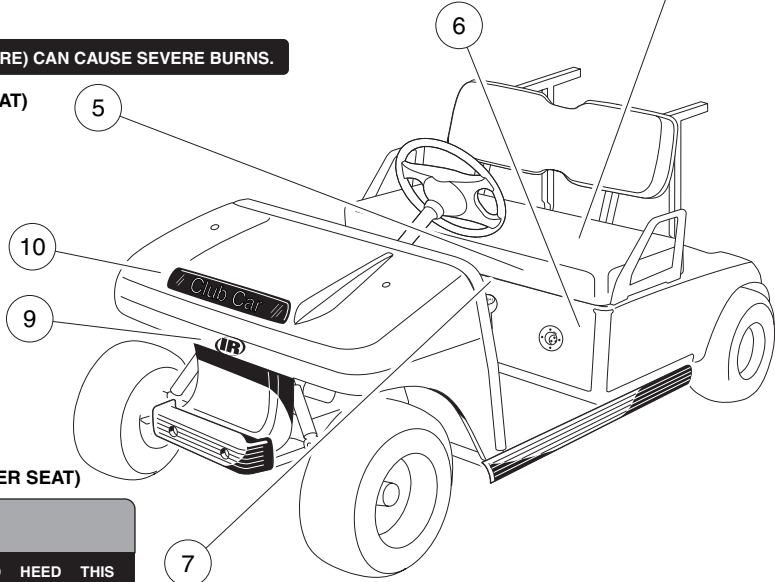
- DO NOT OPERATE VEHICLE WITHOUT COVER IN PLACE.
- DO NOT DIRECT WATER STREAM AT THIS SWITCH.

CCI 1016109-01

(ON WIPER SWITCH COVER INSIDE BATTERY COMPARTMENT)

**⚠ WARNING** HOT RESISTORS (COILED WIRE) CAN CAUSE SEVERE BURNS.

(ON FRAME UNDER SEAT)



(ON TOW/RUN SWITCH BRACKET UNDER SEAT)

**⚠ WARNING** **TOW** **○** **RUN**

Place Tow/Run switch in TOW position before:

- Disconnecting or connecting batteries
- Towing
- Extended storage
- Servicing

**FAILURE TO HEED THIS WARNING COULD RESULT IN A BATTERY EXPLOSION OR SEVERE PERSONAL INJURY.**

CCI 101908001



## DECALS – ELECTRIC VEHICLE

ITEM	PART NO.	DESCRIPTION	QTY GAS	QTY ELEC
		1 2 3 4		
1	101960601	Decal, Driver/Passenger Warning .....		1
2	101825101	Decal, Key Switch .....		1
3	101621601	Decal, Operating Instructions .....		1
4	101959902	Decal, Motor Braking (IQ System vehicle) .....		1
5	1013496	Decal, Resistor Warning (V-Glide 36-Volt vehicles) .....		1
6	101610901	Decal, Potentiometer Caution (V-Glide 36-Volt vehicles) .....		1
7	101908601	Decal, Tow/Run Switch (IQ System vehicles) .....		1
8	101931501	Decal, Electrical Component Cover (IQ System vehicle) .....		1
9	102259001	Emblem, IR, Gold .....		1
10	1014198	Nameplate, Gold .....		1

3  
G  
E

3

G

E

# **BRAKES, PEDAL, AND CABLE ASSEMBLIES**

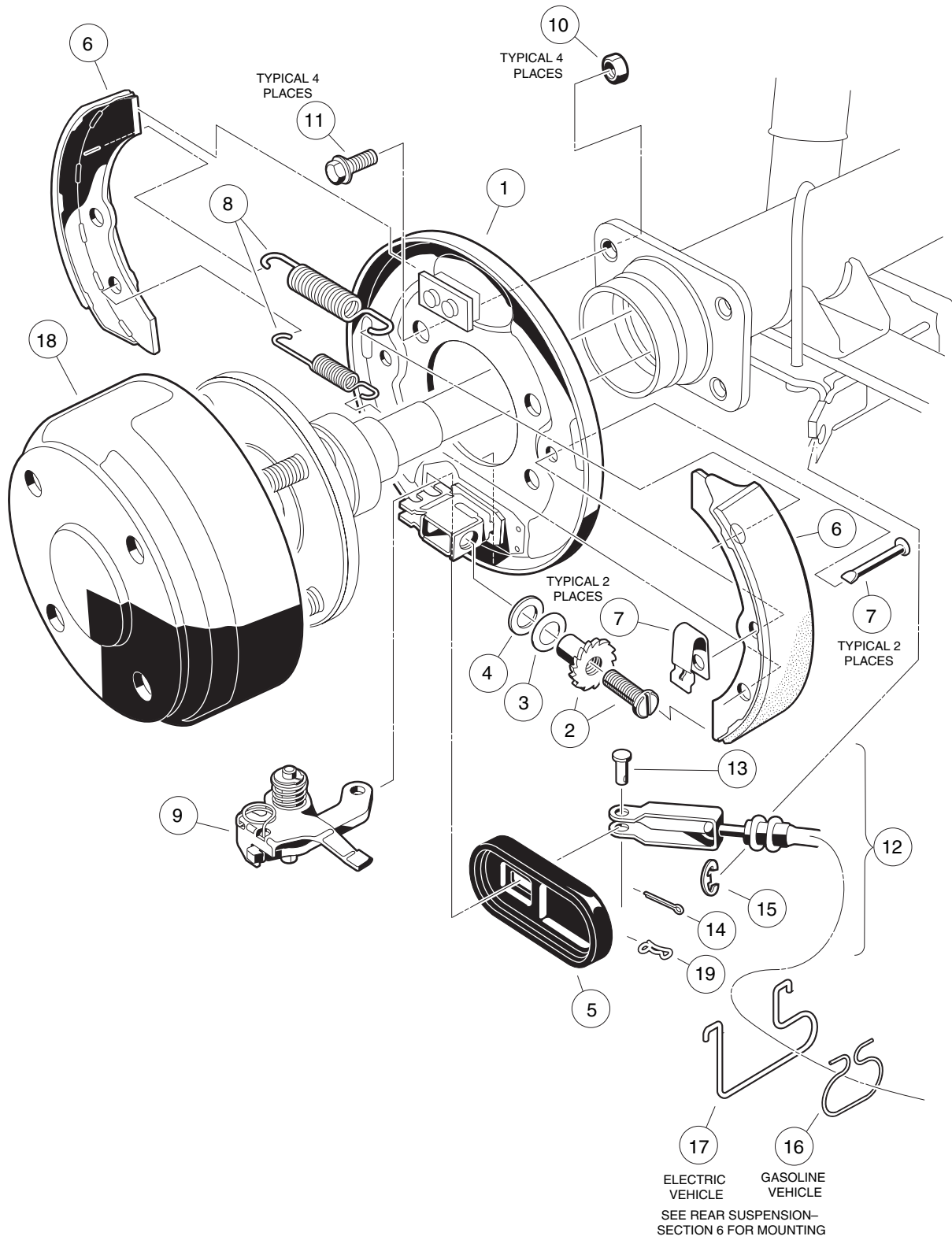
---

**4**

**G**

**E**

**4**  
**G**  
**E**

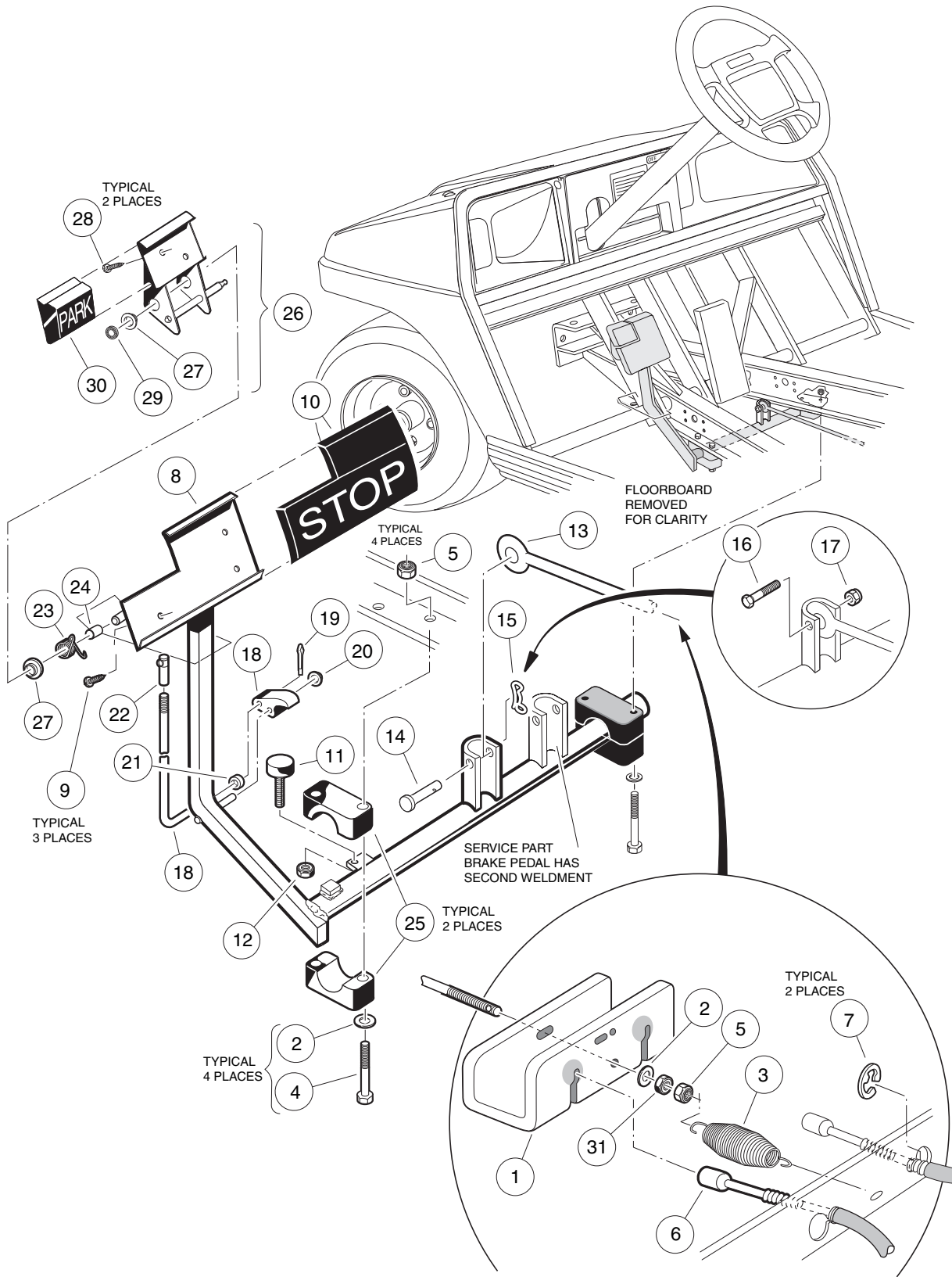


# BRAKE ASSEMBLY

ITEM	PART NO.	DESCRIPTION	QTY GAS	QTY ELEC
		1 2 3 4		
	101823301	Cluster, Brake, Passenger-Side (includes items 1 - 9) .....	1	1
	101823302	Cluster, Brake, Driver-Side (includes items 1 - 9) .....	1	1
1	101824001	Assembly, Backing Plate, Passenger-Side (includes items 2 - 4) .....	1	1
1	101824002	Assembly, Backing Plate, Driver-Side (includes items 2 - 4) .....	1	1
2	101816501	Mechanism, Adjusting, Passenger-Side .....	1	1
2	101816502	Mechanism, Adjusting, Driver-Side .....	1	1
3	101823901	Washer .....	1	1
4	101823801	Washer, Plate .....	1	1
5	1010850	Cover, Dust .....	1	1
6	101823201	Package, Brake Shoe (four pieces) .....	1	1
7	1011466	Kit, Shoe Retainer (four pieces) .....	1	1
8	101816301	Package, Brake Spring (four pieces) .....	1	1
9	101815501	Assembly, Lever, Passenger-Side .....	1	1
9	101815502	Assembly, Lever, Driver-Side .....	1	1
10	1013924	Nut, Hex Lock, Grade 8, 5/16-24 .....	8	8
11	1014153	Bolt, Brake Cluster Mounting, Grade 8, 5/16-24 x 7/8 .....	8	8
12	102022101	Kit, Brake Cable (includes items 13 -15) .....	2	2
13	1010829	Pin, Clevis, 5/16 .....	2	2
14	1035	Pin, Cotter .....	2	2
15	1011779	E-Clip, 1/2 .....	2	2
16	101900801	Hanger, Brake Cable (gasoline vehicle only) .....	2	
17	1013207	Hanger, Brake Cable (electric vehicle only) .....		2
18	101791101	Drum, Brake .....	2	2
19	102292801	Pin, Bow Tie Locking.....		22

4  
G  
E

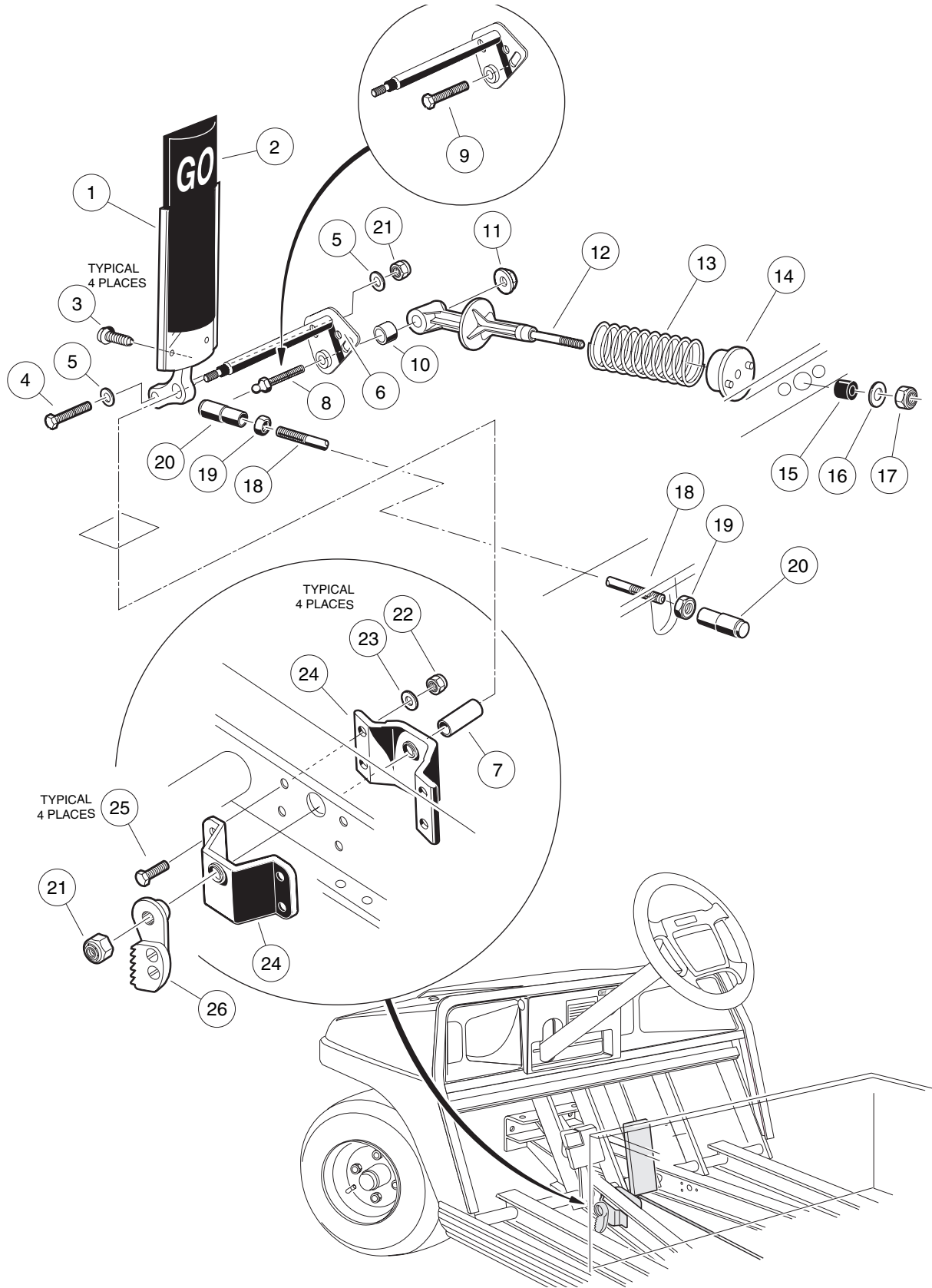
**4**  
**G**  
**E**



# BRAKE PEDAL AND CABLE ASSEMBLY

ITEM	PART NO.	DESCRIPTION	QTY GAS	QTY ELEC	<b>4</b>
		1 2 3 4			<b>G</b>
1	101990801	Equalizer .....	1	1	<b>E</b>
2	1241	Washer, Flat, 5/16 .....	5	5	
3	1013531	Spring, Brake Return .....	1	1	
4	1010921	Screw, Hex-Head Cap, 5/16-18 x 2-1/2 .....	4	4	
5	7473	Nut, Nylon Lock, 5/16-18 .....	5	5	
6	102022101	Kit, Brake Cable (includes item 7, and items 13 and 14 on page 4-3) .....	2	2	
7	1011779	E-Clip, 1/2 .....	2	2	
8	101878201	Kit, Brake Pedal (includes items 9 and 10) .....	1	1	
9	7716	Screw, Slotted Hex Washer-Head, #10-16 x 1/2 .....	3	3	
10	1013869	Pad, Brake Pedal .....	1	1	
11	1010878	Bumper, Rubber .....	1	1	
12	1028	Nut, Hex, 1/4-20 .....	1	1	
13	101953101	Rod, Equalizer .....	1	1	
14	102323201	Pin, Clevis, 5/16 (later style hardware) .....	1	1	
15	102323101	Pin, Bow Tie Locking (later style hardware) .....	1	1	
16	101953001	Bolt, Hex-Head Shoulder, 3/8 x 1 (earlier style hardware) .....	1	1	
17	7473	Nut, Nylon Lock, 5/16-18 (earlier style hardware) .....	1	1	
	101187702	Kit, Park Brake Latch (includes items 18 - 22 and item 26 on page 4-7) .....	1	1	
18	N/A	Rod and Pawl .....	1	1	
19	1017029	Pin, Cotter, 7/64 x 1/2 .....	1	1	
20	1010877	Nut, Push, 5/16 .....	1	1	
21	1010805	Sleeve, Park Brake Rod .....	1	1	
22	1010932	Joint, Ball, 1/4-28 .....	1	1	
23	1010933	Spring, Park Brake Torsion .....	1	1	
24	1010927	Spacer, Park Brake .....	1	1	
25	1011402	Package, Brake Mounting Block (contains upper and lower for driver and passenger sides) .....	1	1	
26	1011418	Kit, Park Brake Pedal (includes items 27 - 30) .....	1	1	
27	1032	Bushing, Nylon .....	2	2	
28	8626	Screw, Slotted Hex Washer-Head, #10-16 x 5/8 .....	2	2	
29	1013876	Nut, Push, 3/8 .....	1	1	
30	1013870	Pad, Park Brake .....	1	1	
31	1242	Nut, Hex, 5/16-18 .....	1	1	

**4**  
**G**  
**E**





# ACCELERATOR PEDAL ASSEMBLY

ITEM	PART NO.	DESCRIPTION	QTY GAS	QTY ELEC
		1 2 3 4		
1	1017696	Sub-Assembly, Accelerator Pedal (includes items 2 and 3) .....	1	1
2	1013871	Pad, Accelerator Pedal .....	1	1
3	7716	Screw, Slotted Hex Washer-Head, #10-16 x 1/2 .....	4	4
4	1624	Screw, Hex-Head Cap, 3/8-16 x 1-1/2 .....	1	1
5	334	Washer, Flat, 3/8 .....	2	2
6	102026001	Kit, Accelerator Pivot Rod (includes item 7) .....	1	1
7	1011700	Spacer .....	1	1
8	101818801	Stud, Ball (for all vehicles except those equipped with MCOR) .....	1	1
9	101862001	Screw, Hex-Head Cap, 1/4-20 x 1-3/8 (MCOR vehicles) .....		1
10	1017424	Bearing, Pivot Support .....	1	1
11	101966901	Nut, Flange, 1/4-28 .....	1	1
12	101817401	Retainer, Spring .....	1	1
13	101796201	Spring, Return .....	1	1
14	1017378	Cup, Spring .....	1	1
15	1017380	Bumper, Return Spring .....	1	1
16	1241	Washer, Flat, 5/16 .....	1	1
17	7473	Nut, Nylon Lock, 5/16-18 .....	1	1
18	101871901	Assembly, Accelerator Rod (V-Glide 36-Volt vehicle only) (includes items 19 and 20) .....		1
18	101912401	Assembly, Accelerator Rod (gasoline vehicle only) (includes items 19 and 20) .....	1	
19	1011084	Nut, UNF Hex Jam, 1/4-28 .....	2	2
20	1011734	Joint, Spring-Loaded Ball .....	2	2
21	8754	Nut, Nylon Lock, 3/8-16 .....	2	2
22	8233	Nut, Nylon Lock, 1/4-20 .....	4	4
23	1014007	Washer, Flat, Type B, 1/4 .....	4	4
24	1011694	Support, Accelerator Pivot Rod .....	2	2
25	101861901	Screw, Hex-Head Cap, 1/4-20 x 1-1/8 .....	4	4
	101187702	Kit, Park Brake Latch (includes item 26, and items 18 - 22 on page 4-5) ..	1	1
26	N/A	Ratchet, Park Brake .....	1	1

4  
G  
E

4

G

E

# STEERING, FRONT AND REAR SUSPENSION

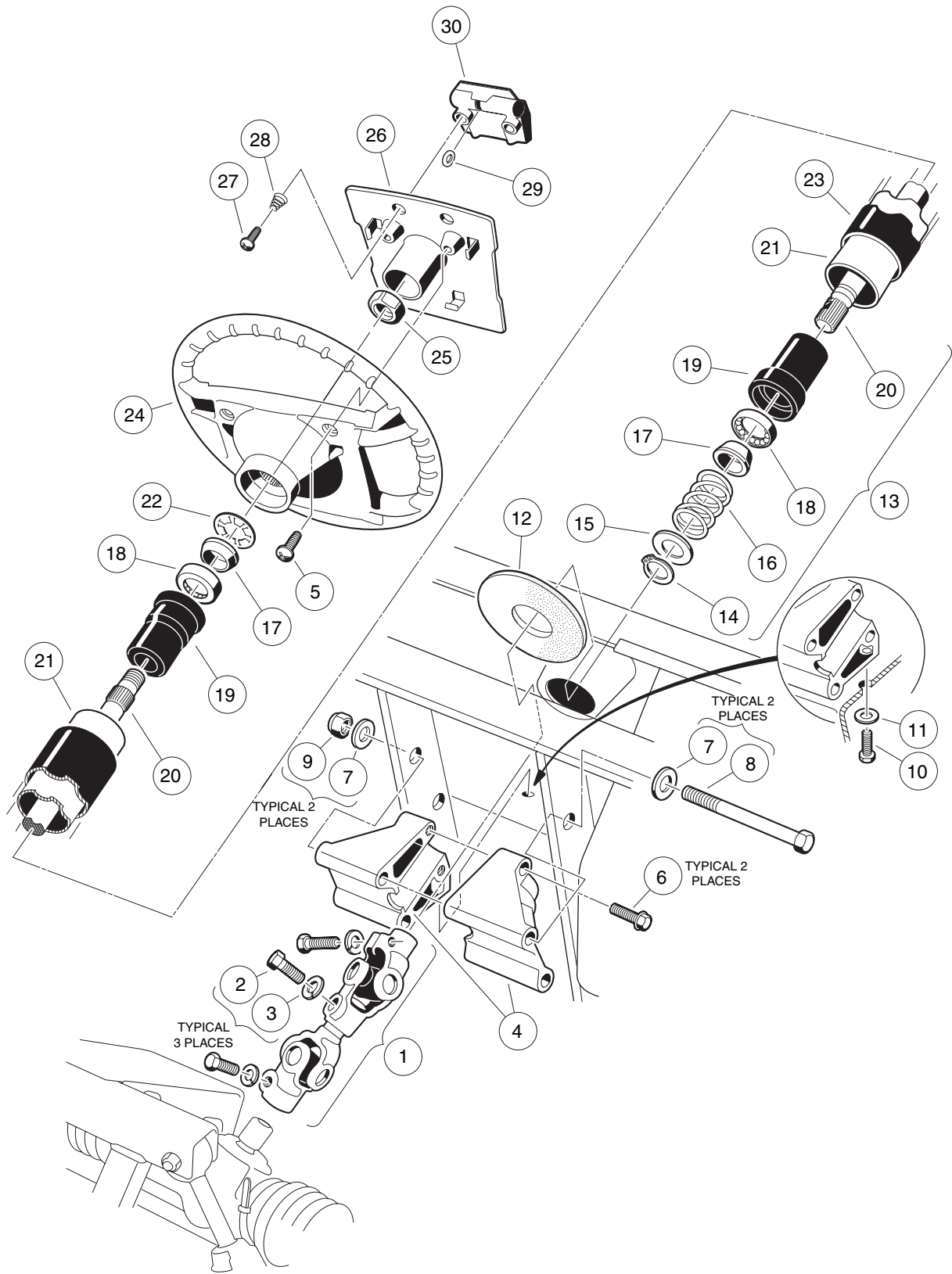
---

5

G

E

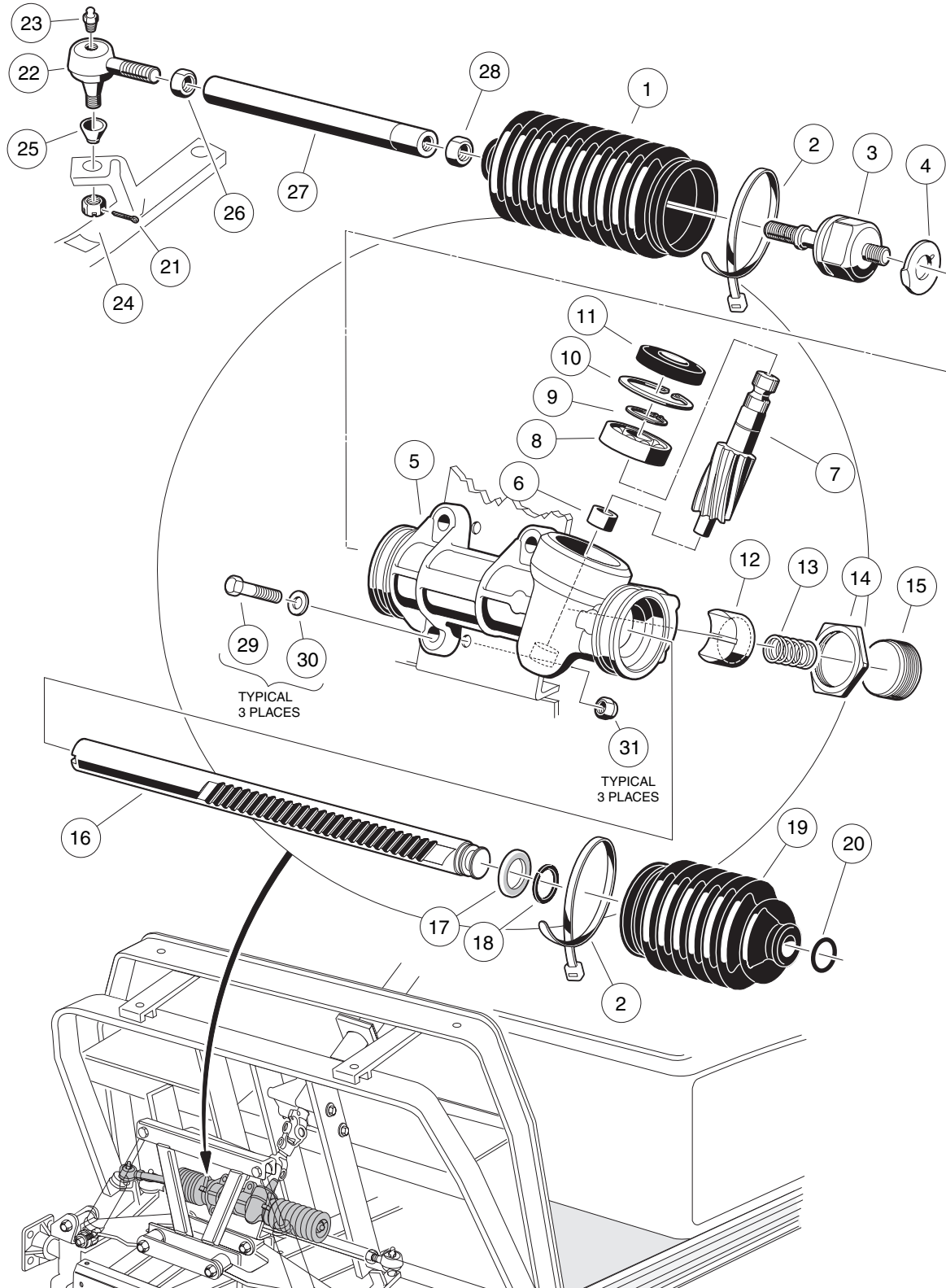
**5**  
**G**  
**E**



# STEERING COLUMN

ITEM	PART NO.	DESCRIPTION	QTY GAS	QTY ELEC
		1 2 3 4		
1	1013861	Joint, Compound Steering (includes items 2 and 3) .....	1	1
2	1017226	Screw, Hex-Head Cap, M8 x 1.25 x 30 mm .....	3	3
3	7174	Washer, Lock, 5/16 .....	3	3
4	101984801	Kit, Steering Column Mounting Bracket .....	1	1
5	1016663	Screw, Phillips, Type A, #12-11 x 5/8 .....	2	2
6	1016269	Screw, Hex Washer-Head Thread-Forming, 5/16-18 x 2 .....	2	2
7	334	Washer, Flat, 3/8 .....	4	4
8	1016183	Screw, Hex-Head Cap, 3/8-16 x 7 .....	2	2
9	8754	Nut, Nylon Lock, 3/8-16 .....	2	2
10	1014288	Screw, Hex Washer-Head Thread-Forming, 5/16-18 x 3/4 .....	1	1
11	1011697	Washer, Flat, 5/16 .....	1	1
12	102278001	Boot, Steering Column .....	1	1
13	1016181	Assembly, Steering Column (includes items 14 - 22) .....	1	1
14	1012605	Ring, Retaining .....	1	1
15	1012604	Washer, Steel, 5/8 .....	1	1
16	1014217	Spring, Compression .....	1	1
17	1014125	Wedge .....	2	2
18	1014213	Assembly, Bearing .....	2	2
19	1014126	Seat, Bearing .....	2	2
20	1015545	Shaft, Steering Column .....	1	1
21	1016622	Column, Aluminum Steering .....	1	1
22	1014214	Ring, Retaining .....	1	1
23	1016263	Cover, Steering Column .....	1	1
24	1016156	Wheel, Steering .....	1	1
25	1017273	Nut, Nylon Lock, 5/8-18 .....	1	1
26	1016219	Assembly, Scorecard Plate (includes items 27 - 30) .....	1	1
27	1012565	Screw, Round-Head, #12-14 x 1 .....	2	2
28	1012566	Spring, Tapered Compression .....	2	2
29	1016214	Grip, Pencil .....	1	1
30	1016154	Clip, Scorecard .....	1	1
	1014216	Kit, Steering Column Rebuild (not shown) .....	A/R	A/R

5  
G  
E

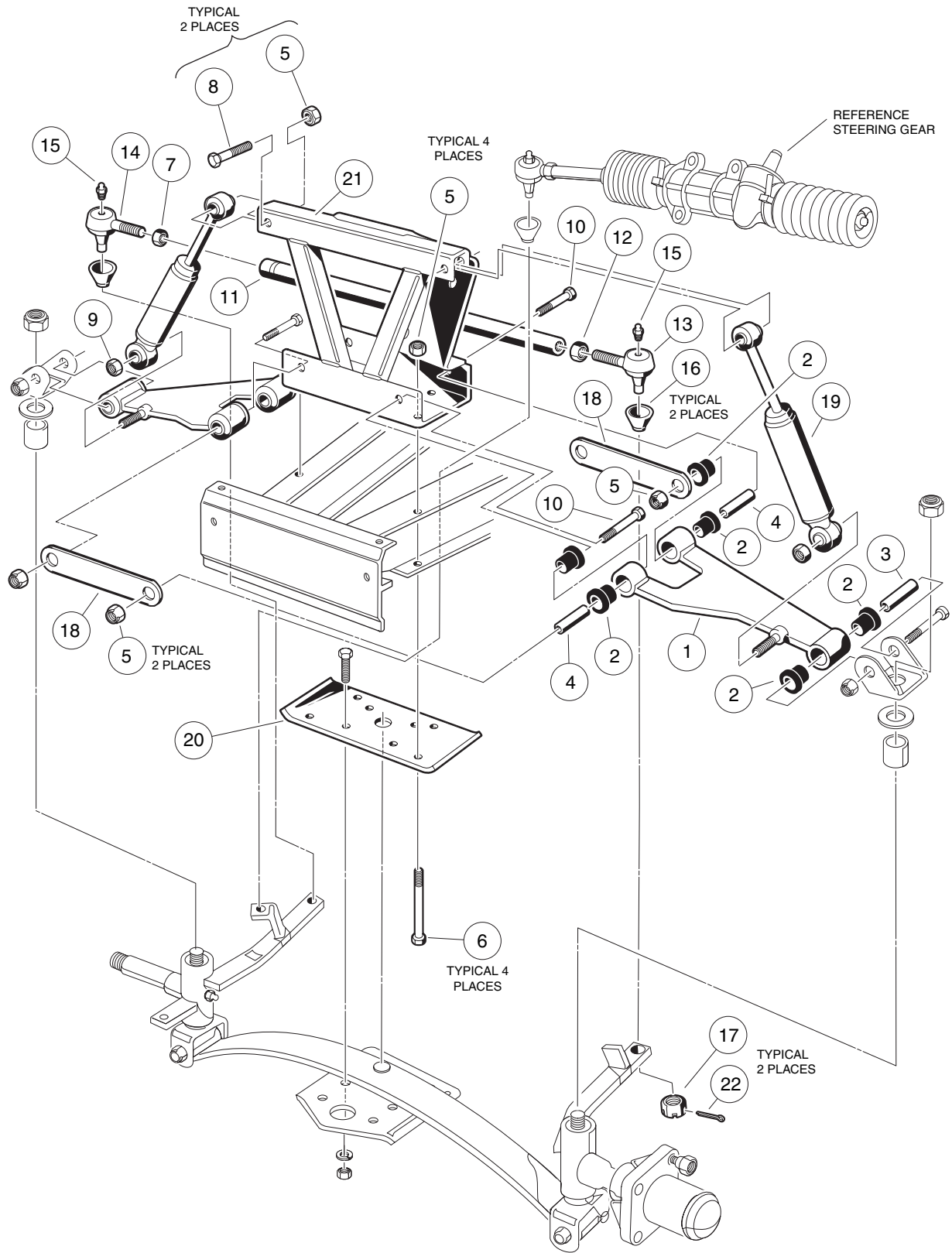


# STEERING GEAR ASSEMBLY

ITEM	PART NO.	DESCRIPTION	QTY GAS	QTY ELEC
		1 2 3 4		
	101878302	Assembly, Steering Gear Box (includes items 1 - 20) .....	1	1
1	1013035	Seal, Dust, Passenger-Side .....	1	1
2	8990	Tie, Wire .....	2	2
3	101880201	Assembly, Inner Ball Joint .....	1	1
4	101880301	Washer, Tab .....	1	1
5	N/A	Box, Steering Gear .....	1	1
6	N/A	Bearing, Lower Pinion .....	1	1
7	N/A	Pinion, Steering .....	1	1
8	101879401	Bearing, Upper Pinion .....	1	1
9	101879901	Ring, C-Type Stop .....	1	1
10	1013051	Ring, Snap .....	1	1
11	1013052	Seal, Dust, Steering Pinion .....	1	1
12	101879701	Guide, Steering Rack .....	1	1
13	101879801	Spring, Yoke .....	1	1
14	1013044	Nut, Lock, Rack Screw .....	1	1
15	N/A	Screw, Rack Guide .....	1	1
16	N/A	Rack, Steering .....	1	1
17	101879501	Washer, Stop .....	1	1
18	101879601	Ring, C-Type Stop .....	1	1
19	101880001	Seal, Dust, Driver-Side .....	1	1
20	101880101	Ring, Retaining .....	1	1
21	1035	Pin, Cotter, 3/32 x 1 .....	1	1
22	7540	Ball Joint, Left-Hand Thread (includes items 23, 24 and 25) .....	1	1
23	1015597	Fitting, Thread-Forming Grease, 1/4-28 .....	1	1
24	7602	Nut, Hex Slotted, 3/8-24 .....	1	1
25	1011930	Boot, Dust .....	1	1
26	7555	Nut, Hex, Left-Hand Thread, 1/2-20 .....	1	1
27	1012467	Link, Rack and Pinion Drag .....	1	1
28	1013042	Nut, Hex, M12 x 1.75 .....	1	1
29	1624	Screw, Hex-Head Cap, 3/8-16 x 1-1/2 .....	3	3
30	334	Washer, Flat, 3/8 .....	3	3
31	8754	Nut, Nylon Lock, 3/8-16 .....	3	3

5  
G  
E

**5**  
**G**  
**E**



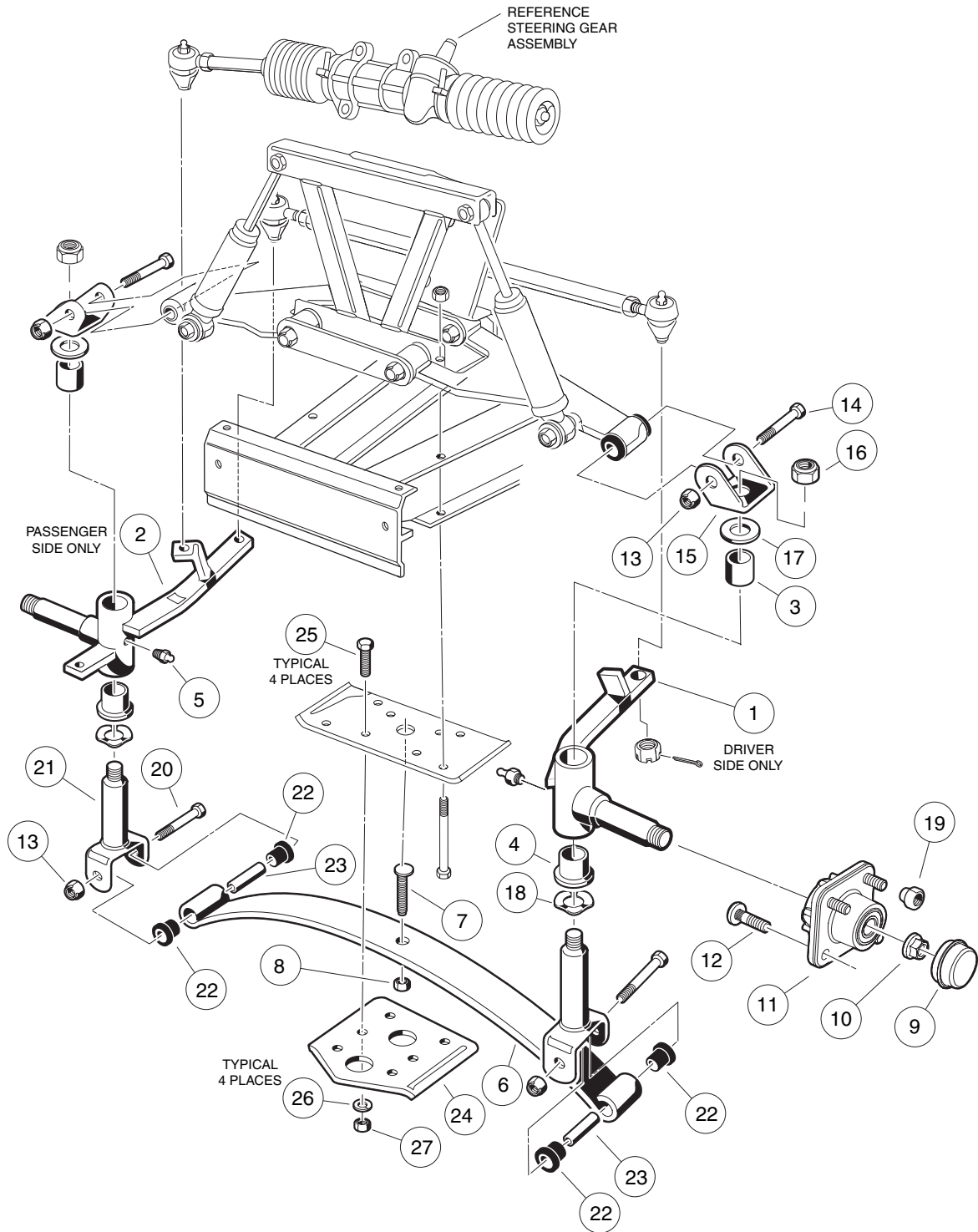


# FRONT SUSPENSION, UPPER

ITEM	PART NO.	DESCRIPTION	QTY GAS	QTY ELEC
		1 2 3 4		
1	1016353	Assembly, Delta A-Plate (includes items 2, 3 and 4) .....	2	2
2	1016346	Bushing, Urethane .....	6	6
3	1016350	Sleeve, Delta Outer .....	1	1
4	1016349	Sleeve, Delta Inner .....	2	2
5	8754	Nut, Nylon Lock, 3/8-16 .....	10	10
6	1010200	Screw, Hex-Head Cap, 3/8-16 x 4-1/4 .....	4	4
7	1308	Nut, Hex, 1/2-20 .....	1	1
8	8861	Screw, Hex-Head Cap, 3/8-16 x 1-3/4 .....	2	2
9	1624	Nut, Dimpled Lock, 3/8-16 .....	2	2
10	2402	Screw, Hex-Head Cap, 3/8-16 x 2-1/4 .....	4	4
11	1010219	Rod, Tie .....	1	1
12	7555	Nut, Hex, Left-Hand Thread, 1/2-20 .....	1	1
13	7540	Ball Joint, Left-Hand Thread (includes items 15, 16 and 17) .....	1	1
14	7539	Ball Joint (includes items 15, 16 and 17) .....	1	1
15	1015597	Fitting, Thread-Forming Grease, 1/4-28 .....	1	1
16	1011930	Boot, Dust .....	1	1
17	7602	Nut, Slotted Hex, 3/8-24 .....	1	1
18	1017266	Strap, A-Plate .....	2	2
19	1014235	Shock Absorber, Front .....	2	2
20	1010124	Plate, Spring Mounting .....	1	1
21	1016385	Assembly, Delta Shock and Gear Support .....	1	1
22	1035	Pin, Cotter, 3/32 x 1 .....	3	3

5  
G  
E

**5**  
**G**  
**E**

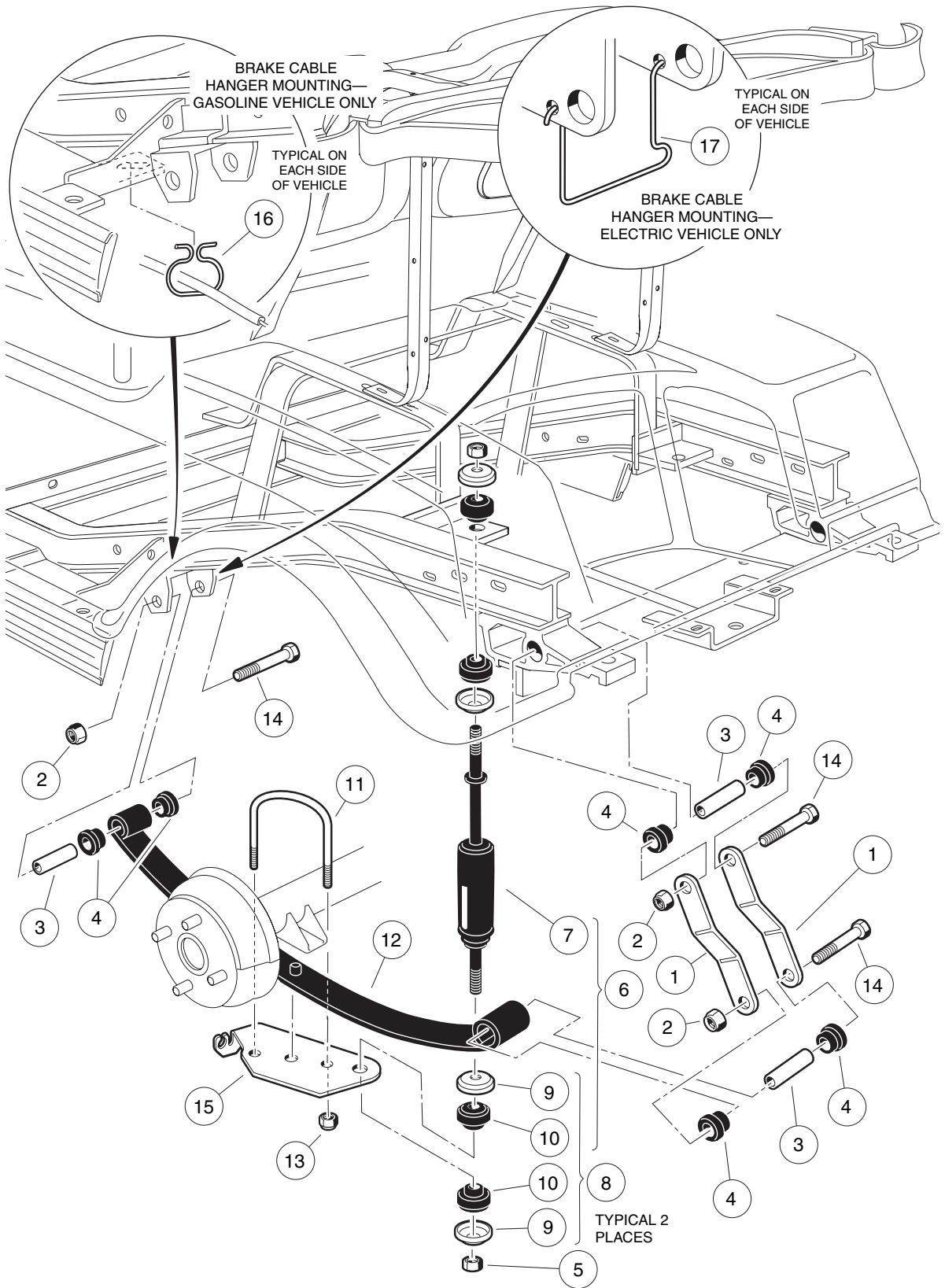


# FRONT SUSPENSION, LOWER

ITEM	PART NO.	DESCRIPTION	QTY GAS	QTY ELEC
		1 2 3 4		
1	102354201	Assembly, Spindle, Driver-Side (includes items 3, 4 and 5) .....	1	1
2	102354101	Assembly, Spindle, Passenger-Side (includes items 3, 4 and 5) .....	1	1
3	8067	Bushing, Bronze Spindle .....	1	1
4	7048	Bushing, Bronze .....	1	1
5	1015597	Fitting, Grease, 1/4-28 .....	1	1
6	1012030	Spring, Tapered Leaf .....	1	1
7	8745	Assembly, Eccentric .....	1	1
8	706	Nut, Hex, 3/8-16 .....	1	1
	102357701	Kit, Front Hub Replacement (includes items 9 - 12) .....	2	2
9	102353201	Cap, Hub .....	1	1
10	102353301	Nut, Flange Lock M14 x 2 .....	1	1
11	102352801	Assembly, Hub and Ball Bearing (includes item 12) .....	1	1
12	102353401	Stud, Lug .....	4	4
13	8754	Nut, Nylon Lock, 3/8-16 .....	4	4
14	1016387	Screw, Hex-Head Cap, 3/8-16 x 2-3/4 .....	2	2
15	1016384	Clevis, Upper Delta .....	2	2
16	101903101	Nut, Nylon Lock, 1/2-20 .....	2	2
17	1010150	Bearing, Thrust .....	2	2
18	1016389	Washer, Kingpin Wave .....	2	2
19	1010984	Nut, Lug .....	8	8
20	8755	Screw, Hex-Head Cap, 3/8 - 16 x 3-3/8 .....	2	2
21	1016386	Kingpin .....	2	2
22	1015583	Bushing, Urethane .....	4	4
23	1012303	Bushing, Steel .....	2	2
24	1014276	Plate, Front Spring Retainer .....	1	1
25	1624	Screw, Hex-Head Cap, 3/8-16 x 1-1/2 .....	4	4
26	357	Washer, Lock, 3/8 .....	4	4
27	706	Nut, Hex, 3/8-16 .....	4	4

**5**  
**G**  
**E**

**5**  
**G**  
**E**



# REAR SUSPENSION

ITEM	PART NO.	DESCRIPTION	QTY GAS	QTY ELEC
		1 2 3 4		
1	1012304	Shackle, Rear Spring (gasoline vehicle) .....	4	
1	7569	Shackle, Rear Spring (electric vehicle) (not shown) .....		4
2	8754	Nut, Nylon Lock, 3/8-16 .....	6	6
3	1012303	Bushing, Steel .....	6	6
4	1015583	Bushing, Urethane .....	12	12
5	1010145	Nut, UNF Hex, 3/8-24 .....	4	4
6	1013164	Kit, Shock Absorber (includes items 7, 9, and 10) .....	1	1
7	102706401	Shock Absorber, Rear .....	2	2
8	1011415	Kit, Shock Absorber Cushion (includes 2 each of items 9 and 10) .....	4	4
9	N/A	Retainer, Shock Absorber Cushion .....	8	8
10	N/A	Cushion, Shock Absorber .....	8	8
11	1012180	U-Bolt .....	2	2
12	1012324	Spring, Rear Leaf (gasoline vehicle) .....	2	
12	1010974	Spring, Rear Leaf (electric vehicle) .....		2
13	1014555	Nut, Nylon Lock, 7/16-24 .....	4	4
14	8755	Screw, Hex-Head Cap, 3/8-16 x 3-3/8 .....	6	6
15	1012182	Pad, Spring, Driver-Side .....	1	1
15	1012181	Pad, Spring, Passenger-Side .....	1	1
16	101900801	Hanger, Brake Cable (gasoline vehicle) .....	2	
17	1013207	Hanger, Brake Cable (electric vehicle) .....		2

5  
G  
E

5

G

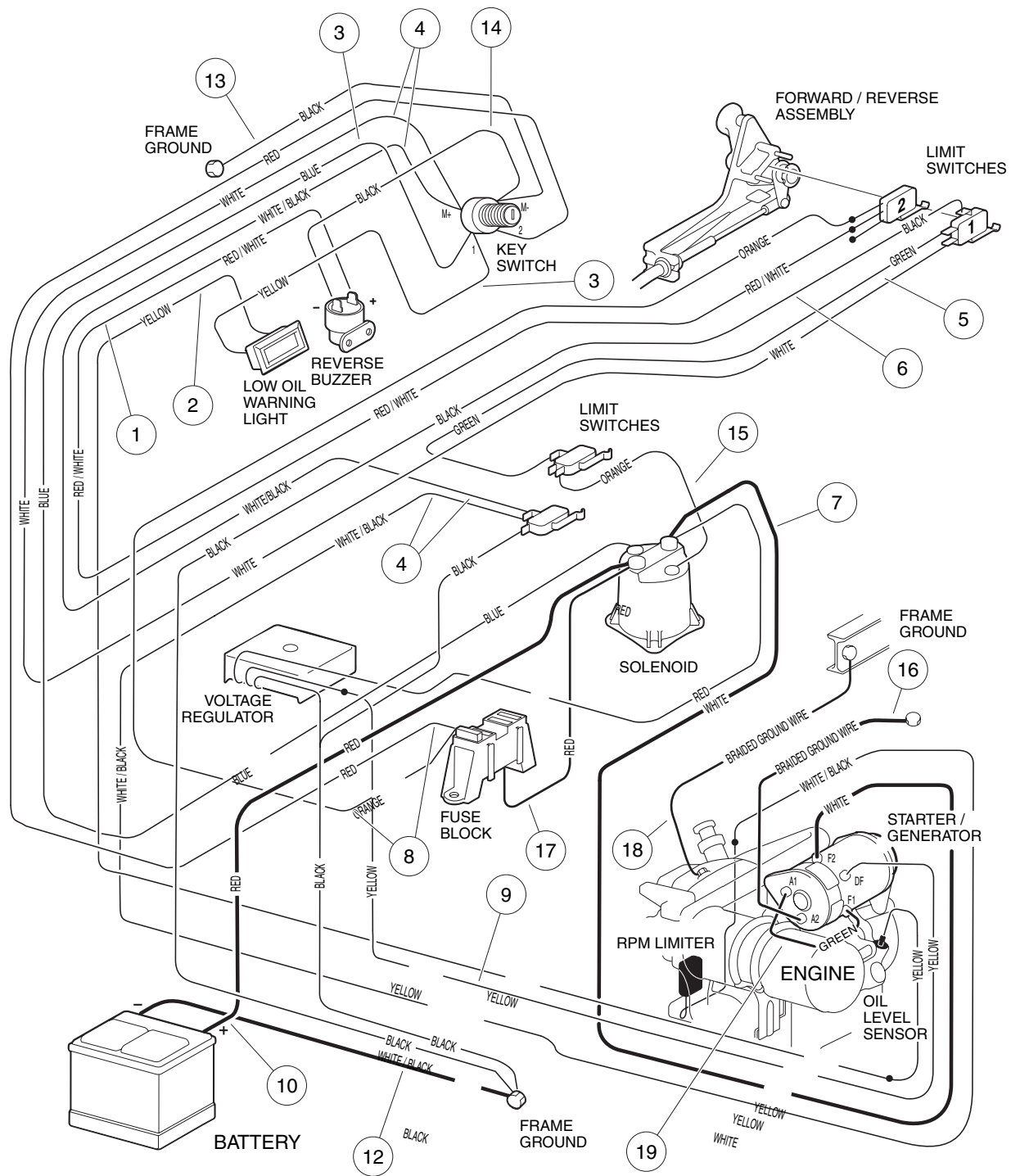
E

# **ELECTRICAL SYSTEM – GASOLINE VEHICLE**

---

**6**

**G**



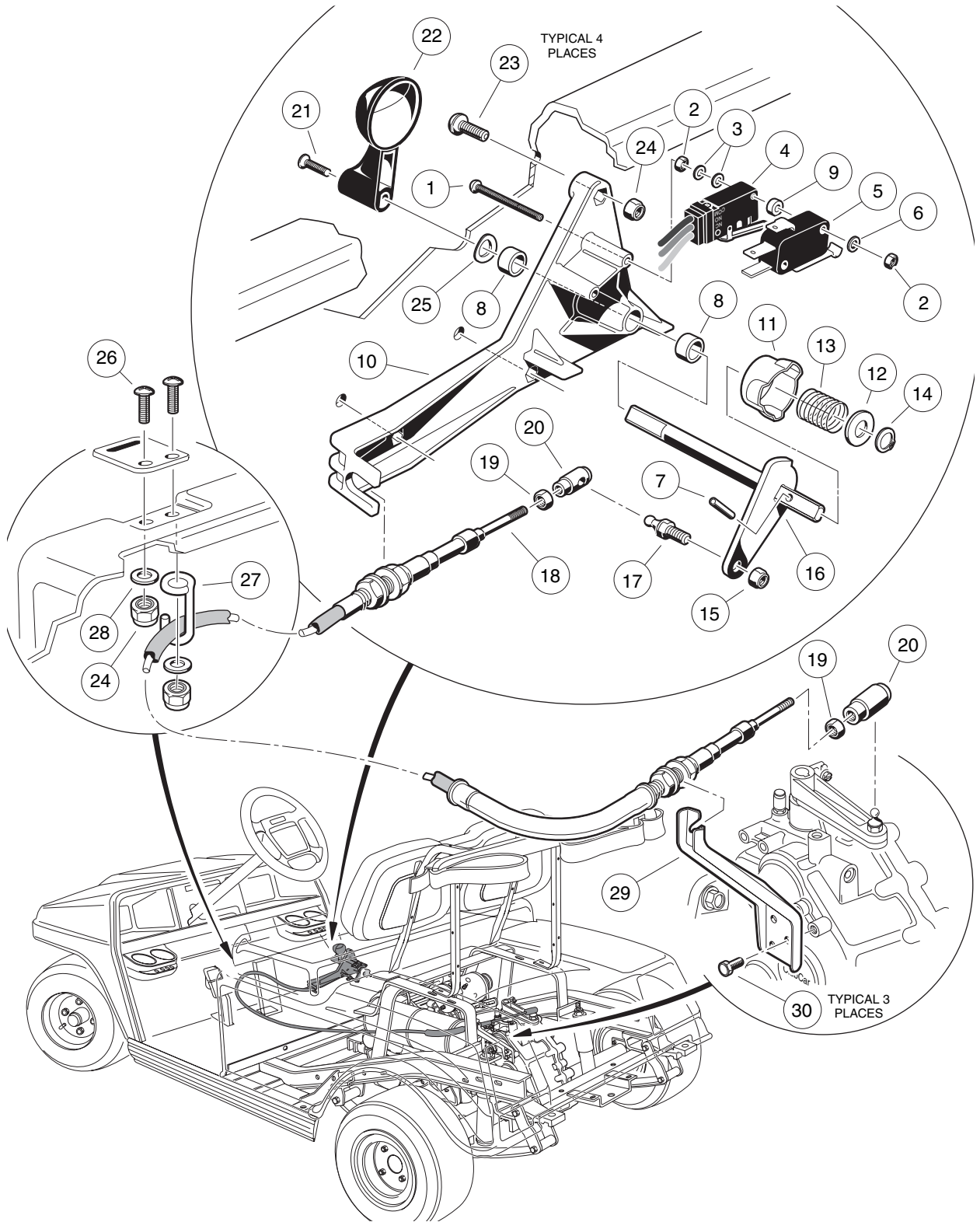


# WIRING – GASOLINE VEHICLE

ITEM	PART NO.	DESCRIPTION	QTY
		1 2 3 4	
	101889302	Wire Harness (includes items 1 - 11) .....	1
1	N/A	Wire Assembly, #18 Red/White .....	1
2	N/A	Wire Assembly, #18 Yellow .....	1
3	N/A	Wire Assembly, #18 Yellow and #16 Blue .....	1
4	N/A	Wire Assembly, #18 White/Black and #18 White .....	1
5	N/A	Wire Assembly, #18 Green .....	1
6	N/A	Wire Assembly, #18 Black .....	1
7	1015769	Wire Assembly, #6 White .....	1
8	N/A	Wire Assembly, #16 Red and #16 Orange .....	1
9	N/A	Wire Assembly, #16 Yellow .....	1
10	1014119	Wire Assembly, #6 Red .....	1
11	N/A	Wire Assembly, #18 Yellow .....	1
12	1012382	Wire Assembly, #6 Black .....	1
13	N/A	Wire Assembly, #18 Black .....	1
14	N/A	Wire Assembly, #18 Black (part of reverse buzzer kit) .....	1
15	N/A	Wire Assembly, #16 Orange (part of the electrical component box) .....	1
16	1015920	Wire Assembly, #6 Braided Ground .....	1
17	1015737	Wire Assembly, #10 Red (part of the electrical component box) .....	1
18	1015332	Wire Assembly, #10 Braided Ground .....	1
19	101837301	Wire Assembly, #6 Green .....	1

6

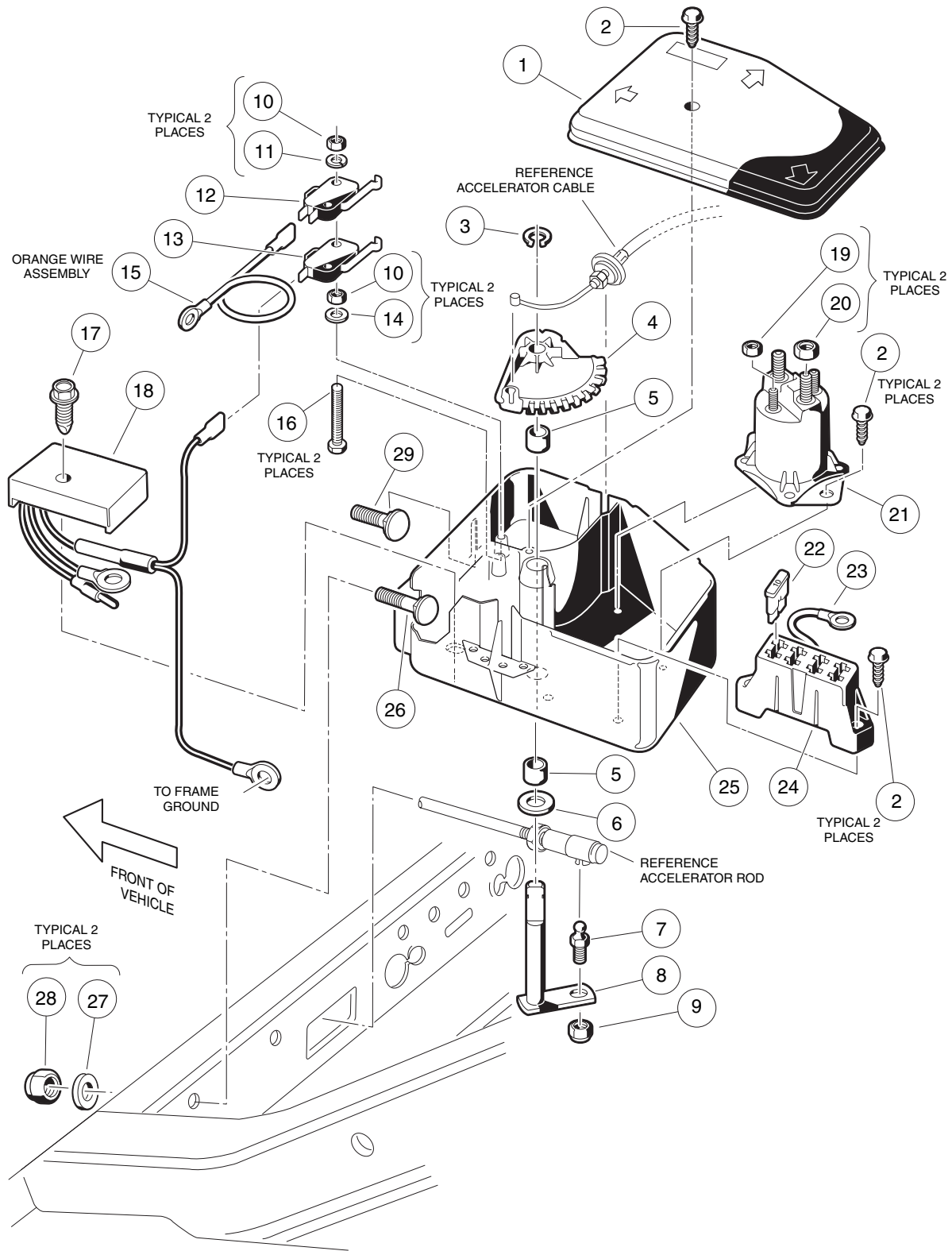
G



# FORWARD/REVERSE SHIFTER ASSEMBLY – GASOLINE VEHICLE

ITEM	PART NO.	DESCRIPTION	QTY
		1 2 3 4	
	1016947	Assembly, Forward/Reverse Shifter (includes items 1 - 17) .....	1
1	1012594	Screw, Machine, #4-40 x 1-1/2 .....	2
2	8057	Nut, Hex, #4-40 .....	4
3	1012431	Washer, Flat, #4 .....	4
4	101979101	Switch, Limit .....	1
5	1014807	Switch, Limit .....	1
6	8058	Washer, Lock, #4 .....	2
7	1013591	Pin, Roll, 1/8 .....	1
8	1014145	Bushing, Bronze .....	2
9	1014727	Washer, Nylon Flat, #4 .....	2
10	1016342	Base, Forward/Reverse Shifter .....	1
11	1014089	Kit, Neutral Lockout Cam (includes item 12) .....	1
12	1014065	Washer, Flat .....	1
13	1013590	Spring, Forward/Reverse Cam .....	1
14	1013589	Ring, Retaining .....	1
15	8717	Nut, Nylon Lock, 1/4-28 .....	1
16	1013587	Weldment, Forward/Reverse Bell Crank .....	1
17	1010954	Stud, Ball, 1/4-28 x 1/4 .....	1
18	101951501	Cable, Transmission (includes items 19 and 20) .....	1
19	7893	Nut, Hex, #10-32 .....	2
20	1012333	Joint, Ball .....	2
21	1015064	Screw, Phillips Oval Countersunk Machine, #8-32 x 5/8, S.S. ....	1
22	1012987	Handle, Forward/Reverse Switch .....	1
23	8248	Screw, Phillips Truss-Head, 1/4-20 x 3/4 .....	4
24	8233	Nut, Nylon Lock, 1/4-20 .....	8
25	1016201	Washer, Wave, 3/8 .....	1
26	8251	Screw, Phillips-Head, 1/4-20 x 1 .....	4
27	101855801	Retainer, Cable .....	1
28	332	Washer, Flat, 1/4 .....	4
29	101922601	Bracket, Transmission Cable Support .....	1
30	1012285	Screw, Hex, Type TT, 1/4-20 x 5/8 .....	3

**6**  
**G**



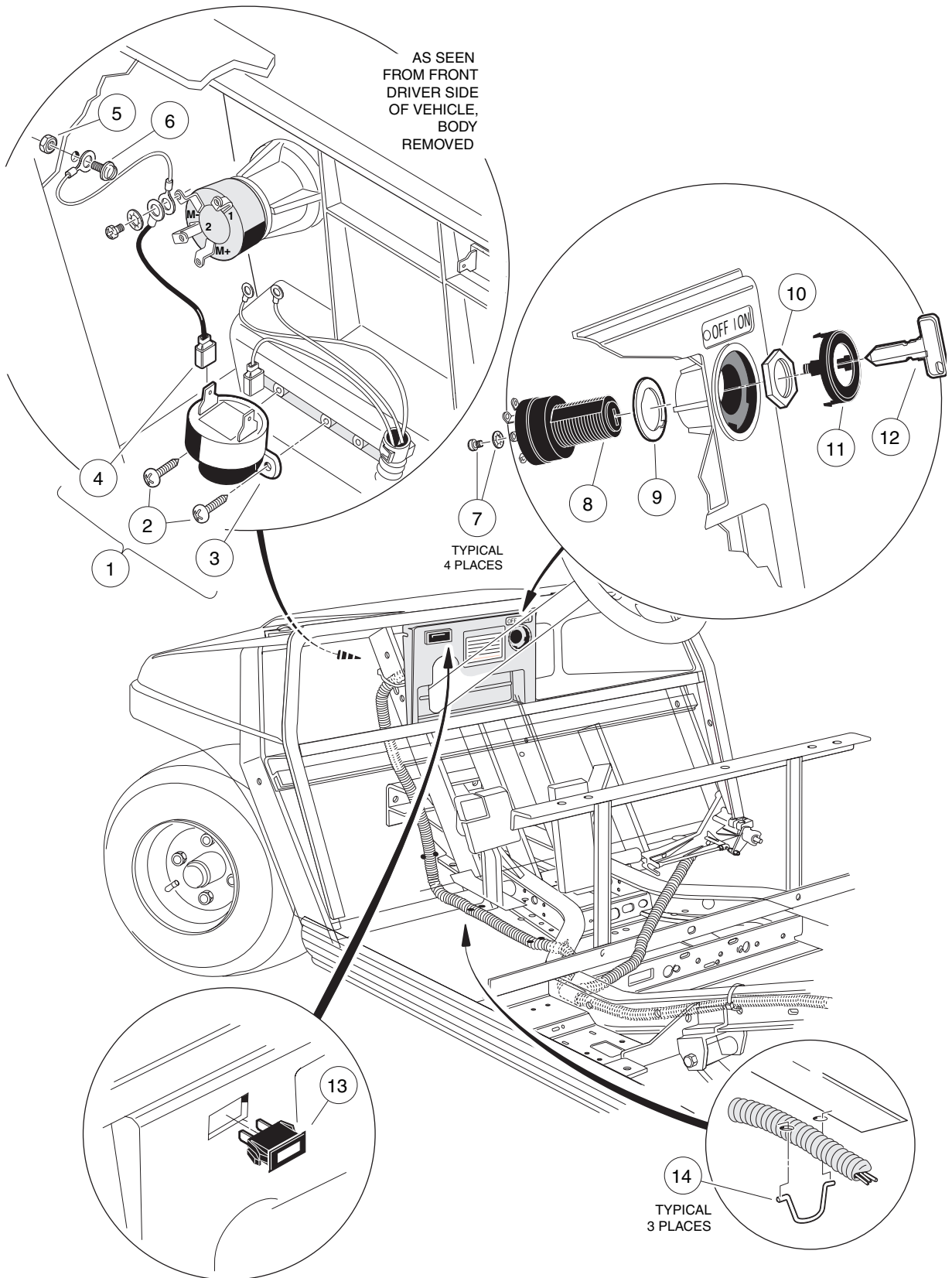
# ELECTRICAL COMPONENT BOX – GASOLINE VEHICLE

ITEM	PART NO.	DESCRIPTION	QTY
		1 2 3 4	
	101992601	Box, Electrical Component, Complete (includes items 1 - 25) .....	1
1	1015372	Cover, Electrical Component Box .....	1
2	1015752	Screw, Hex Washer-Head Hi-Lo, #12-16 x 5/8 .....	5
3	1013589	Ring, Retaining .....	1
4	1015373	Cam, Electrical Box .....	1
5	1014145	Bushing, Bronze .....	2
6	1014065	Washer, Flat .....	1
7	1010954	Stud, Ball, 1/4-28 .....	1
8	1015345	Assembly, Bell Crank and Shaft .....	1
9	8717	Nut, Nylon Lock, 1/4-28 .....	1
10	8057	Nut, Hex, #4-40 .....	4
11	8058	Washer, Lock, #4 .....	2
12	1014807	Switch, Limit .....	1
13	1014808	Switch, Limit .....	1
14	1012431	Washer, Flat, #4 .....	2
15	N/A	Wire Assembly, #16 Orange .....	1
16	1015878	Screw, Hex-Head Machine, #4-40 x 1-5/8 .....	2
17	101856102	Screw, Hex Washer-Head Hi-Lo, 1/4-15 x 1-1/2 .....	1
18	1015777	Assembly, Voltage Regulator .....	1
19	7893	Nut, Hex, #10-32 .....	2
20	1242	Nut, Hex, 5/16-18 .....	2
21	1013609	Solenoid, 12-Volt .....	1
22	1012295	Fuse, 10-Amp .....	1
23	1015737	Wire Assembly, #10 Red .....	1
24	1015741	Block, Fuse .....	1
25	1015371	Box, Electrical Component .....	1
26	1015405	Bolt, Carriage, 5/16-18 x 2 .....	1
27	1241	Washer, Flat, 5/16 .....	2
28	7473	Nut, Nylon Lock, 5/16-18 .....	2
29	7818	Bolt, Carriage, 5/16-18 x 1-1/2 .....	1

**6**

**G**

**6**  
**G**

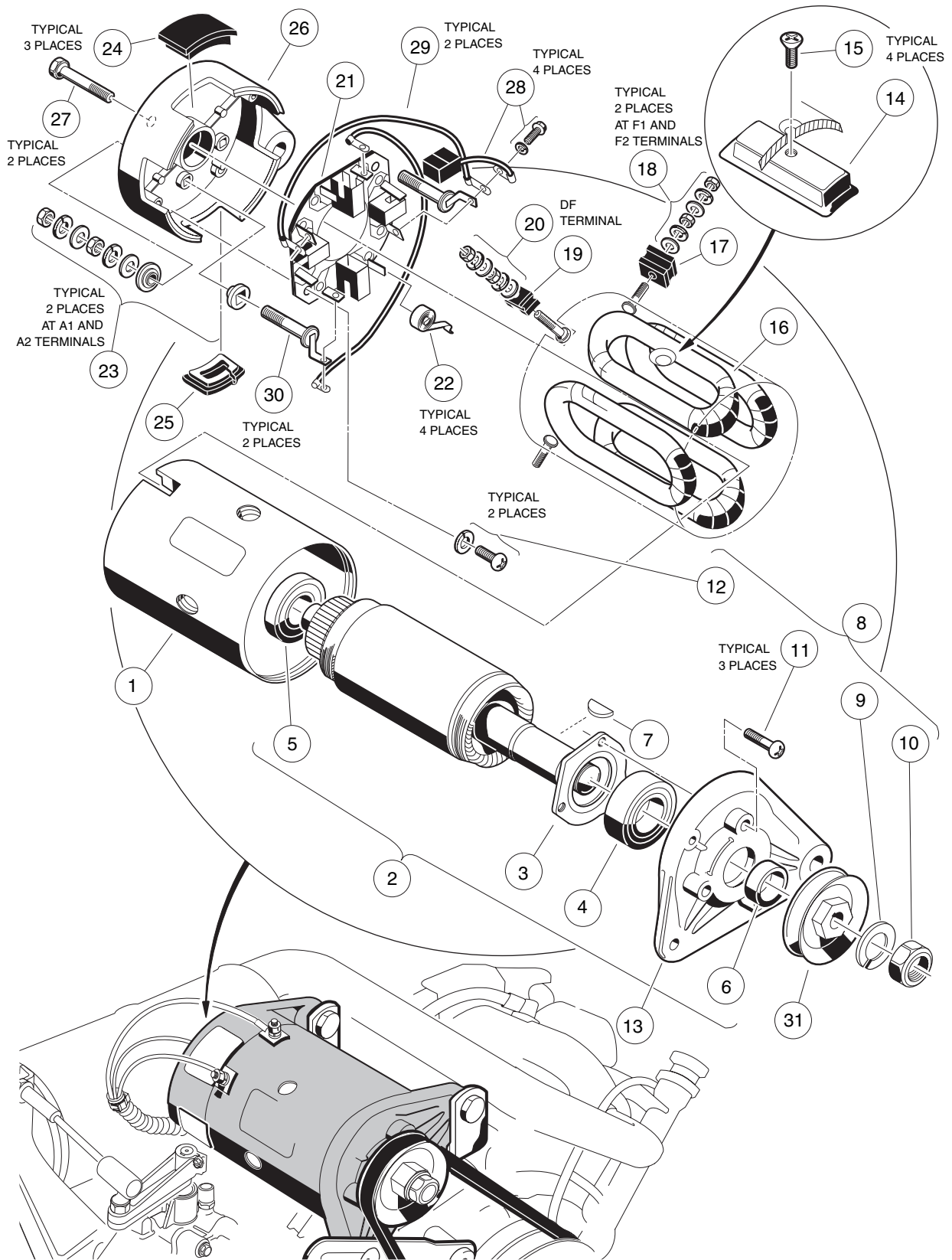


# ELECTRICAL COMPONENTS, FRONT BODY – GASOLINE VEHICLE

ITEM	PART NO.	DESCRIPTION	QTY
		1 2 3 4	
1	1016859	Kit, Reverse Buzzer (includes items 2, 3 and 4) .....	1
2	1016849	Screw, Pan-Head Hi-Lo, #4-24 x 5/16 .....	2
3	1016851	Buzzer, Reverse .....	1
4	N/A	Wire Assembly, #18 Black .....	1
5	1011229	Nut, K Lock, #6-32 .....	1
6	1015720	Screw, Hex Washer-Head, #6-32 x 1/2 .....	1
7	101830601	Assembly, Screw and Washer .....	4
8	101826301	Switch, Key .....	1
9	101851101	Washer .....	1
10	101830701	Nut, Key Switch .....	1
11	101834502	Cap, Key Switch (black) .....	1
12	1012505	Key (pair) .....	1
12	AM10079	Key (bag of 50) * .....	1
13	1016630	Light, Low Oil Warning .....	1
14	101900901	Retainer, Harness .....	3
		* Must order in multiples of 50.	

**6**  
**G**

**6**  
**G**





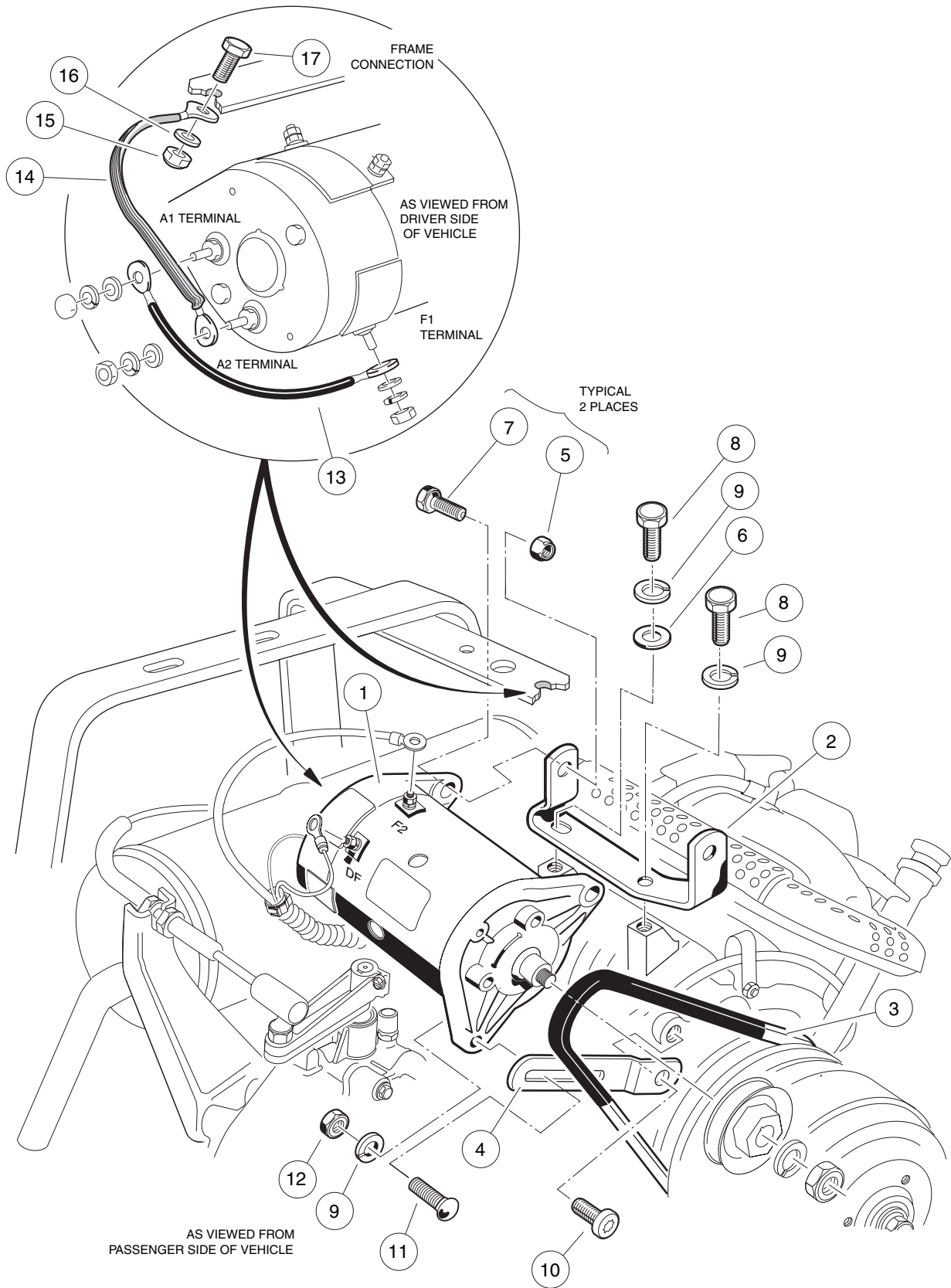
# STARTER/GENERATOR ASSEMBLY

ITEM	PART NO.	DESCRIPTION	QTY
		1 2 3 4	
	101833701	Starter/Generator (clockwise rotation) (includes items 1 - 30) .....	1
1	101875201	Housing, Field Coil .....	1
2	101875101	Assembly, Armature (includes items 3 - 6) .....	1
3	101875001	Retainer, Bearing .....	1
4	1013001	Ball Bearing, Output Shaft .....	1
5	1013005	Commutator, Ball Bearing .....	1
6	101939901	Spacer, 5/16 .....	1
7	1013003	Key, Woodruff .....	1
8	101876501	Kit, Pulley Nut and Screw (includes items 9 - 12) .....	1
9	N/A	Washer, Lock, M14 .....	1
10	N/A	Nut, Hex, M14 x 2 .....	1
11	N/A	Screw, Cross-Recessed, M5 x .8 x 18 mm .....	3
12	101896501	Screw, Cross-Recessed, M5 x .8 x 16 mm (with lock washer) .....	2
13	101874901	End Bell, Output Shaft .....	1
14	101875301	Set, Pole (set of 4) .....	1
15	101875401	Screw, Pole Piece (set of 4) .....	1
16	101875501	Coil, Field .....	1
17	101875601	Insulator, F Terminal .....	2
18	101877601	Package, Terminal Hardware (F1 and F2) .....	2
19	101875701	Insulator, DF Terminal .....	1
20	101877701	Package, Terminal Hardware (DF) .....	1
21	101301102	Holder, Brush (includes item 22) .....	1
22	101878101	Spring, Brush .....	4
23	101876001	Package, Terminal Hardware (A1 and A2) .....	2
24	101876301	Cover, Brush Inspection Port (set of 4) (includes item 25) .....	1
25	1017653	Cover, Brush Inspection Port, with Drain .....	1
26	101876402	End Bell, Commutator .....	1
27	101879001	Bolt, Clamp, M6 x 1 x 180 mm .....	2
28	101869302	Package, Brush (includes 4 brushes, 4 screws, 4 washers) .....	1
29	101876202	Connector, Brush .....	2
30	101875802	A Connector (set of 2) .....	1
31	1014289	Pulley .....	1

**6**

**G**

**6**  
**G**

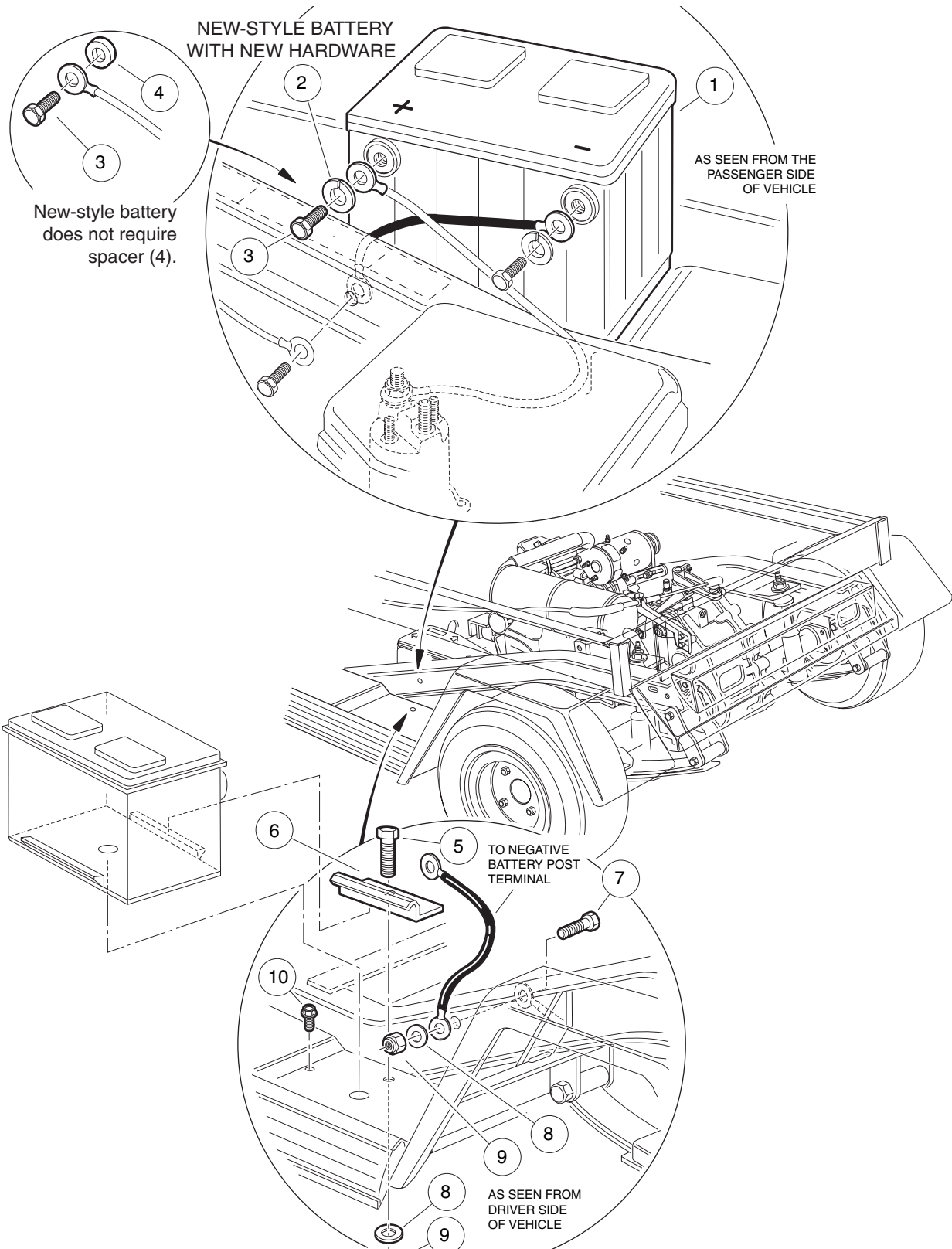


# STARTER/GENERATOR MOUNTING

ITEM	PART NO.	DESCRIPTION	QTY
		1 2 3 4	
1	101833701	Starter/Generator (clockwise rotation) .....	1
2	101524001	Bracket, Mounting, FE290 .....	1
3	101916701	Belt, Starter/Generator .....	1
4	1016883	Bracket, Adjusting .....	1
5	8754	Nut, Nylon Lock, 3/8-16 .....	2
6	1241	Washer, Flat, Type A, 5/16 .....	1
7	705	Screw, Hex-Head Cap, 3/8-16 x 1-1/4 .....	2
8	1012830	Screw, Hex-Head Cap, M8 x 1.25 x 22 mm .....	2
9	7174	Washer, Lock, 5/16 .....	3
10	1016074	Screw, Torx-Head, M8 x 1.25 x 18 mm .....	1
11	1015932	Bolt, Carriage, 5/16-18 x 1 .....	1
12	1242	Nut, Hex, 5/16-18 .....	1
13	101837301	Wire Assembly, #6 Green .....	1
14	1015920	Wire Assembly, #6 Braided Ground .....	1
15	7473	Nut, Nylon Lock, 5/16-18 .....	1
16	1241	Washer, Flat, 5/16 .....	1
17	7173	Screw, Hex-Head Cap, 5/16-18 x 3/4 .....	1

6  
G

**6**  
**G**



# BATTERY – GASOLINE VEHICLE

ITEM	PART NO.	DESCRIPTION	QTY
		1 2 3 4	
1	1012328	Battery, 12-Volt .....	1
2	102355301	Washer, Lock, Stainless Steel, 3/8* .....	2
3	1014375	Screw, Hex-Head Cap, Stainless Steel, 3/8-16 x 1/2 .....	2
4	1014374	Spacer, Battery Terminal Bolt* .....	2
5	1010934	Screw, Hex-Head Cap, 5/16-18 x 1 .....	1
6	101898001	Clamp, Battery .....	1
7	7173	Screw, Hex Cap, 5/16-18 x 3/4 .....	1
8	1241	Washer, Flat, 5/16 .....	2
9	7473	Nut, Nylon Lock, 5/16-18 .....	2
10	1014288	Screw, Thread-Forming, 5/16-16 x 3/4 .....	1
<p>*NOTE: When ordering a new battery, you must order the new stainless steel lockwasher (2). Lockwasher cannot be used if battery terminal spacer (4) is required by battery design.</p>			

6  
G

6

G

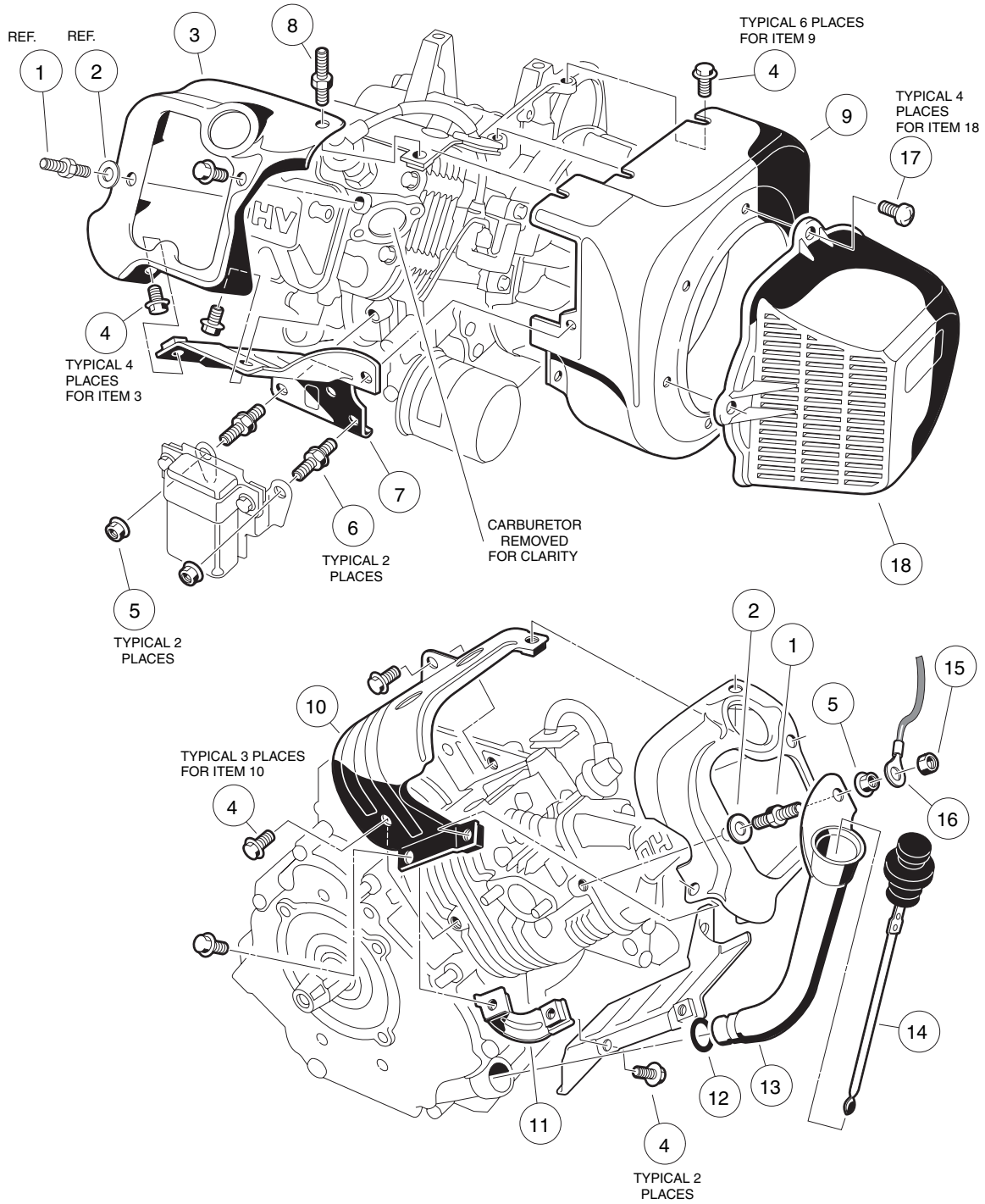
# FE290 ENGINE

---

7

G

**7**  
**G**



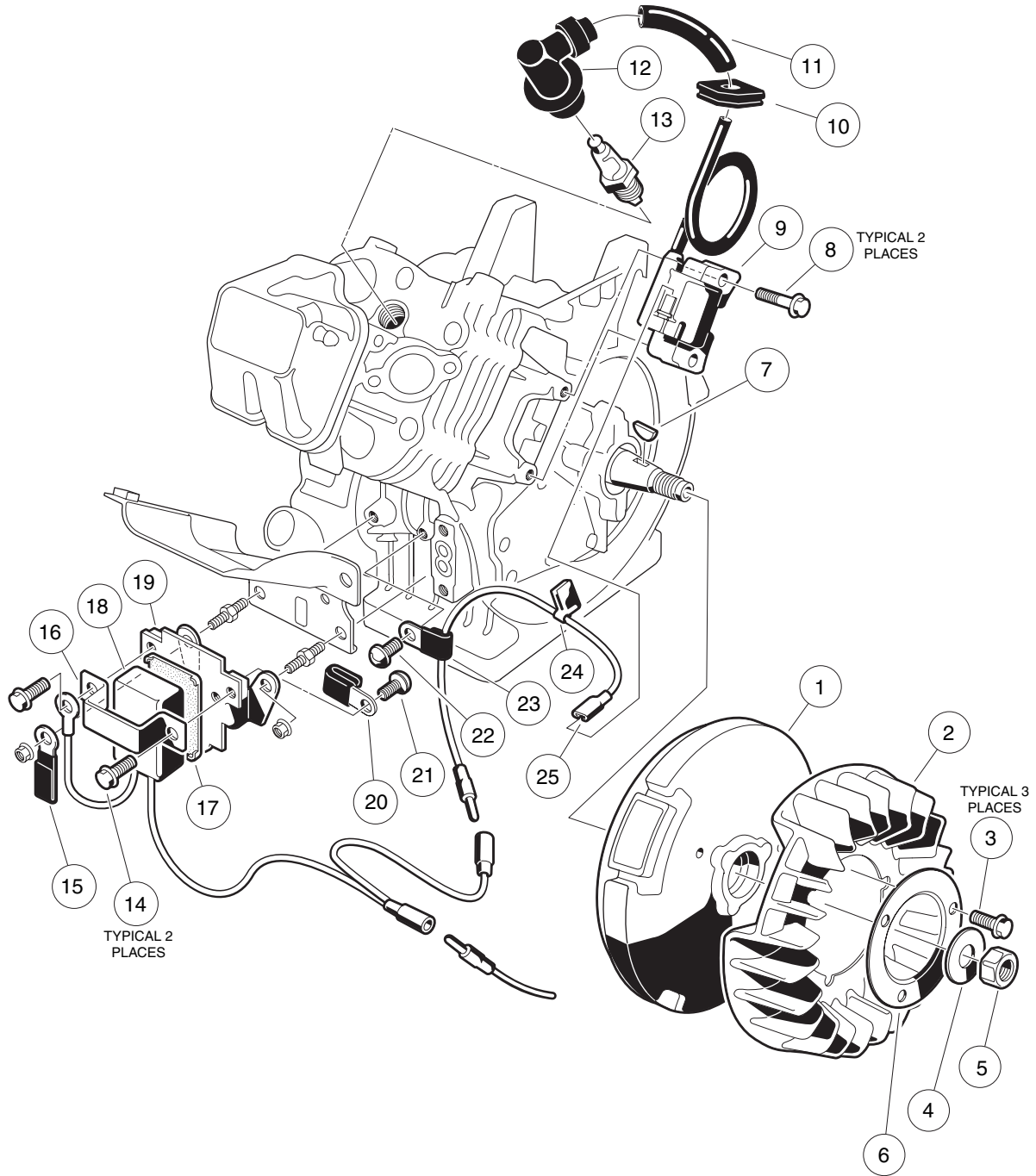


# FE290 ENGINE – SHROUDS AND BRACKETS

ITEM	PART NO.	DESCRIPTION	QTY
		1 2 3 4	
	101953901	FE290 OHV Gasoline Engine (clockwise rotation) Without Automatic Compression Release (w/o ACR) with Carburetor (does not include items 15 - 18) .....	1
1	1016507	Bolt, 2-Ended, M6 x 1 x 29 mm .....	1
2	N/A	Washer, Flat, 6 mm .....	1
3	1016524	Shroud, Engine, FE290 .....	1
4	1016456	Bolt, Flanged, M6 x 1 x 12 mm .....	15
5	1016547	Nut, Flange, M6 x 1 .....	3
6	101909701	Bolt, 2-Ended, M6 x 1 x 27 mm .....	2
7	1016526	Shroud, Engine, FE290 (lower) .....	1
8	1017221	Bolt, 2-Ended, M6 x 1 x 46 mm .....	1
9	101915601	Housing, Fan .....	1
10	1016525	Shroud, Engine, FE290 (upper) .....	1
11	1016443	Bracket .....	1
12	1016539	O-Ring .....	1
13	1016536	Tube, Oil Filler, FE290 .....	1
14	1016531	Dipstick .....	1
15	101887601	Nut, Nylon Lock, M6 x 1 .....	1
16	1015332	Wire Assembly, #10 Braided Ground .....	1
17	1015969	Screw, Pan-Head, M6 x 1 x 14 mm .....	4
18	1015649	Shroud, Fan .....	1

**7**  
**G**

**7**  
**G**

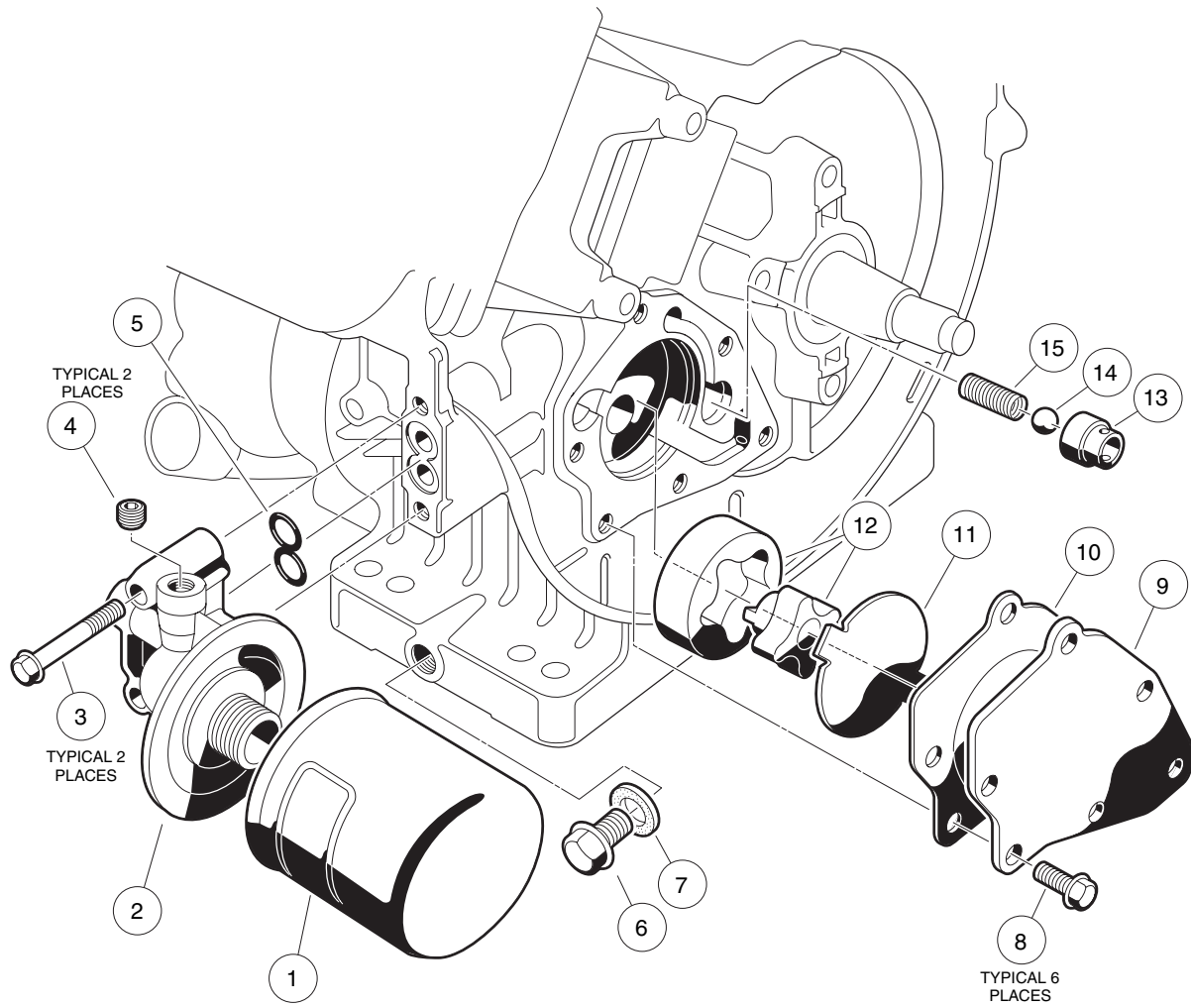


# FE290 ENGINE – IGNITION COMPONENTS AND FLYWHEEL

ITEM	PART NO.	DESCRIPTION	QTY
		1 2 3 4	
1	101915701	Flywheel .....	1
2	101915801	Fan, Flywheel, Gray .....	1
3	1017448	Screw, Flanged Hex-Head, M6 x 1 x 10 mm .....	3
4	1016548	Washer, Flat, 16 mm .....	1
5	1016505	Nut, Hex, M16 x 1.5 .....	1
6	1017455	Plate, Flywheel Fan .....	1
7	1016562	Key .....	1
8	1016455	Bolt, Flanged, M5 x .8 x 25 mm .....	2
9	101909201	Coil, Ignition (with internal igniter) .....	1
10	1016578	Grommet .....	1
11	1016588	Tube, 7 mm x 70 mm .....	1
12	1016493	Assembly, Plug Cap .....	1
13	AM10724	Plug, Spark, OHV (NGK) .....	1
13	101881101	Plug, Spark, OHV (Autolite) .....	1
14	1016456	Bolt, Flanged, M6 x 1 x 12 mm .....	2
15	1012981	Clamp .....	1
16	1016579	Band, RPM Limiter Mount .....	1
17	1016586	Damper, RPM Limiter .....	1
18	101909401	Limiter, RPM, OHV .....	1
19	1016445	Bracket, RPM Limiter .....	1
20	101909501	Clamp .....	1
21	1016497	Screw, Cross Pan-Head, M5 x .8 x 8 mm .....	1
22	1016544	Screw, Cross Pan-Head Self-Tapping, M5 x .8 x 12 mm .....	1
23	1016561	Clamp .....	1
24	1016587	Clamp .....	1
25	101909301	Wire, Lead .....	1

**7**

**G**

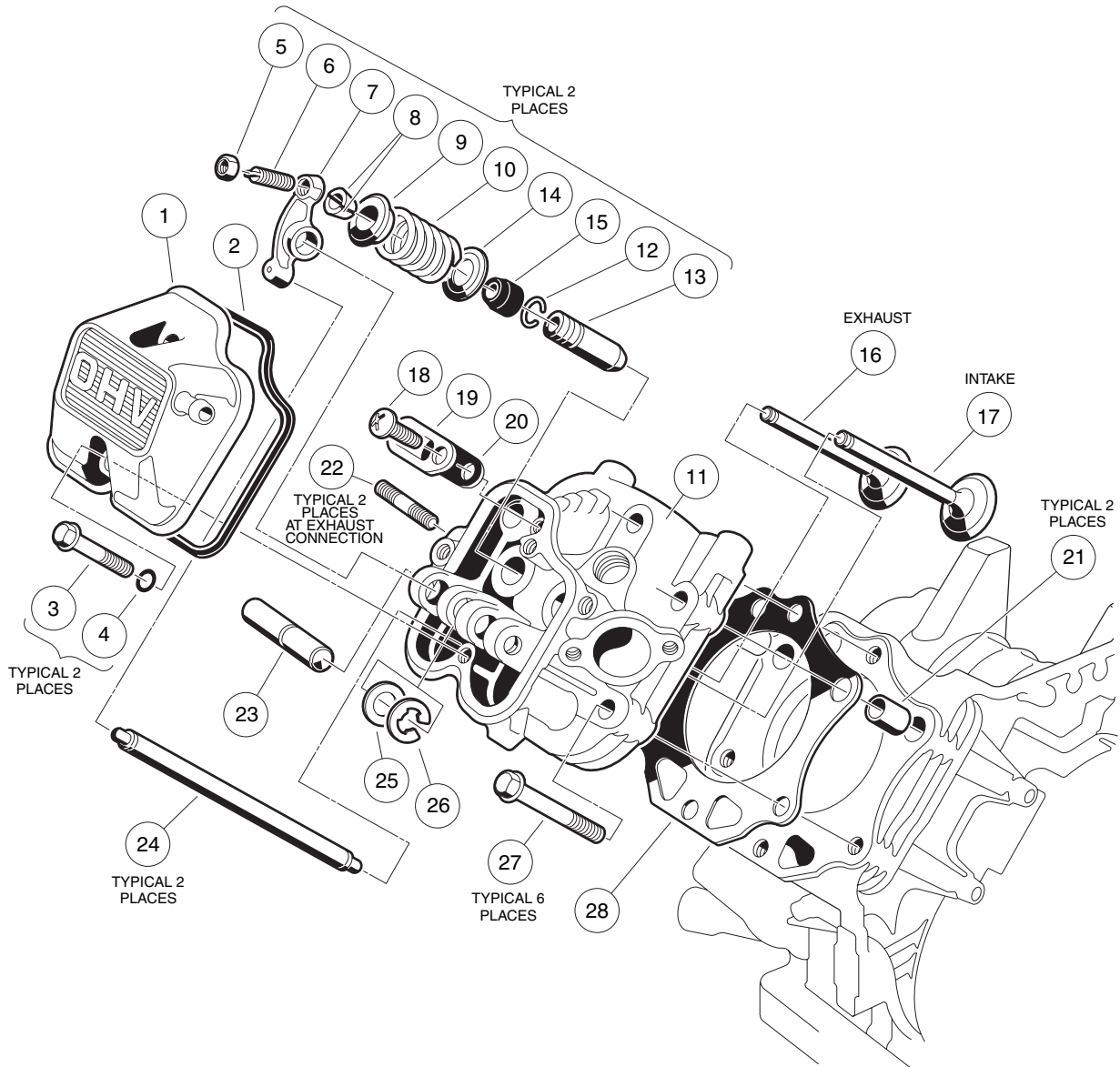


## FE290 ENGINE – OIL CIRCULATION

ITEM	PART NO.	DESCRIPTION	QTY
		1 2 3 4	
1	1016467	Oil Filter .....	1
2	1016502	Bracket, Oil Filter .....	1
3	1016457	Bolt, Flanged Hex-Head, M6 x 1 x 40 mm .....	2
4	1017507	Plug .....	2
5	1016570	O-Ring, Oil Filter Mount .....	1
6	1016576	Plug, Drain, FE290 .....	1
7	1016432	Gasket, Drain Plug .....	1
8	1017456	Screw, Flanged Hex-Head, M6 x 1 x 12 mm .....	6
9	1016484	Cover, Pump .....	1
10	1016435	Gasket, Oil Pump .....	1
11	1016473	Plate, Oil Pump .....	1
12	101648203	Pump, Oil and Rotor .....	1
13	1016429	Seat, Valve .....	1
14	1016537	Ball, Steel, Pressure Relief .....	1
15	1016581	Spring .....	1

**7**

**G**



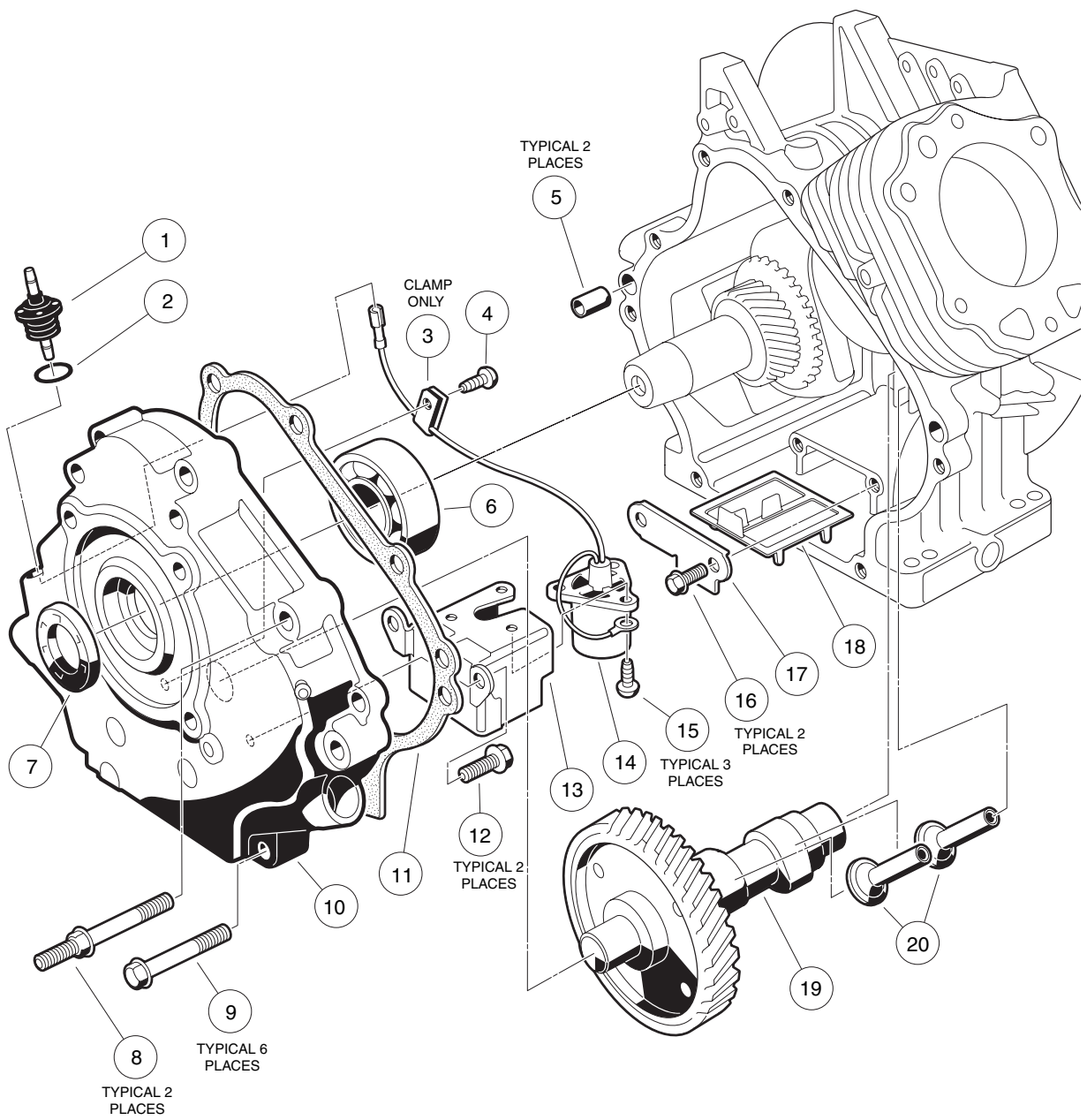
# FE290 ENGINE – CYLINDER HEAD

ITEM	PART NO.	DESCRIPTION	QTY
		1 2 3 4	
1	1016442	Case, Rocker .....	1
2	1016436	Gasket, Rocker Case .....	1
3	1016583	Bolt, Flanged, M6 x 1 x 35 mm .....	2
4	1016569	O-Ring .....	2
5	1016545	Nut, Hex, M5 x .8 .....	2
6	1016542	Screw, Stud, M5 x .8 .....	2
7	1016451	Arm, Rocker .....	2
8	1016450	Collet .....	4
9	1016449	Retainer, Valve Spring .....	2
10	1016523	Spring, Engine Valve .....	2
11	1016431	Assembly, Cylinder Head, OHV (includes items 12 and 13) .....	1
12	1016560	Ring, Snap .....	2
13	1016519	Guide, Valve .....	2
14	1016479	Seat, Spring .....	2
15	1016566	Seal, Valve .....	2
16	1016448	Valve, Exhaust .....	1
17	1016447	Valve, Intake .....	1
18	1016544	Screw, Cross Pan-Head Self-Tapping, M5 x .8 x 12 mm .....	1
19	1016474	Plate .....	1
20	1016483	Valve .....	1
21	1016563	Pin .....	2
22	1016489	Bolt, Stud, M8 x 1.25 x 29 mm .....	2
23	1016452	Shaft, Rocker .....	1
24	1016471	Rod, Push .....	2
25	1016549	Washer, Flat, M12 .....	1
26	1016517	Circlip, Type E .....	1
27	1016458	Bolt, Flanged, M8 x 1.25 x 45 mm .....	6
28	1016430	Gasket, Head .....	1
	102304701	Kit, Gasket, FE290 (not shown) (contains one each of all internal gaskets for the FE290 engine) .....	1

7

G

7  
G



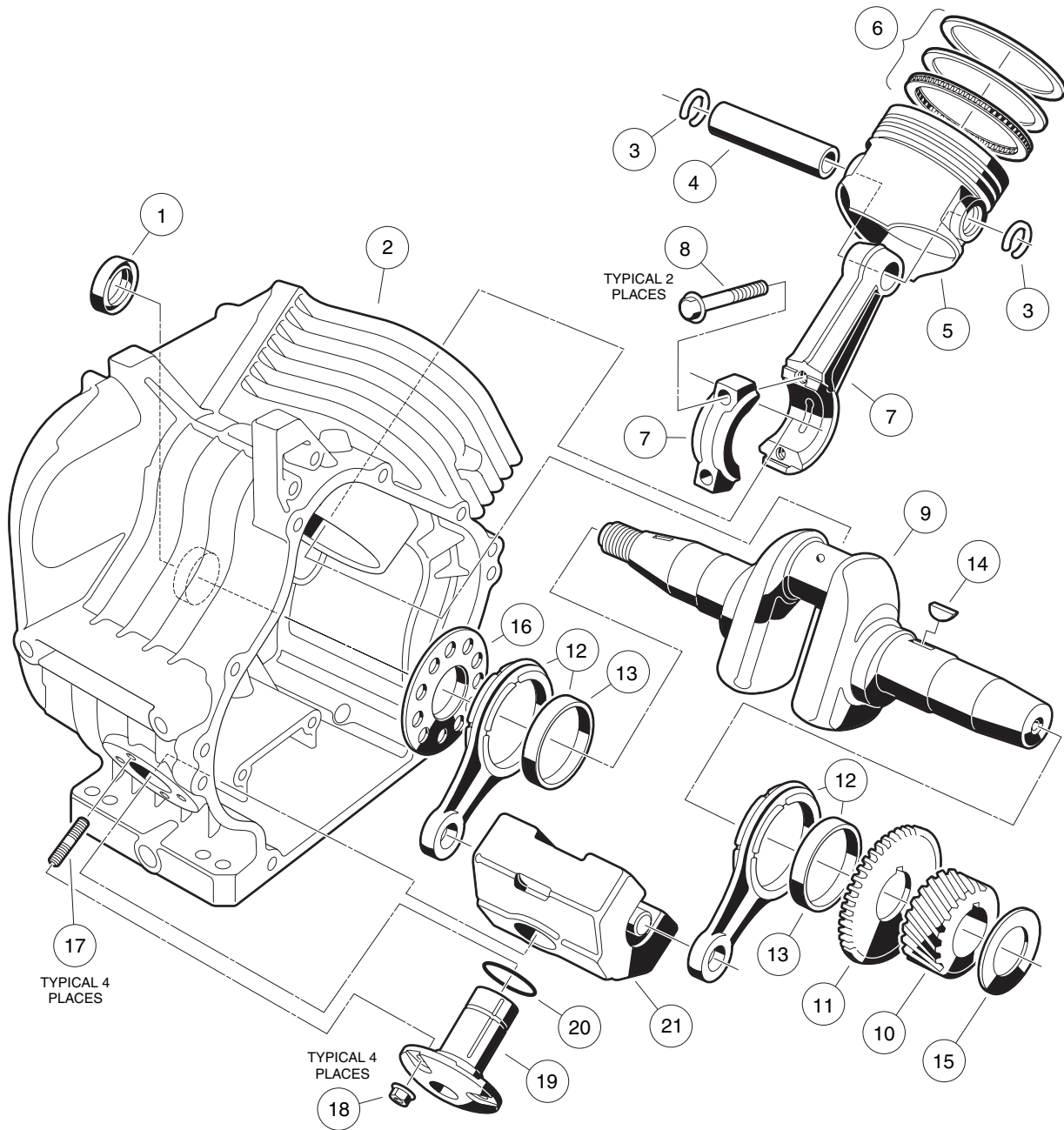


# FE290 ENGINE – CRANKCASE, CAMSHAFT AND OIL SENSOR

ITEM	PART NO.	DESCRIPTION	QTY
		1 2 3 4	
1	1016535	Connector, Cord .....	1
2	1016538	O-Ring .....	1
3	1016506	Clamp .....	1
4	1016544	Screw, Cross Pan-Head Self-Tapping, M5 x .8 x 12 mm .....	1
5	1016564	Pin .....	2
6	1016565	Bearing, Ball .....	1
7	1016567	Seal, Crankshaft .....	1
8	1016584	Bolt, 2-Ended, M8 x 1.25 x 69 mm .....	2
9	1016458	Bolt, Flanged, M8 x 1.25 x 45 mm .....	6
10	1016520	Cover, Crankcase .....	1
11	1016446	Gasket, Crankcase Cover .....	1
12	1016456	Bolt, Flanged, M6 x 1 x 12 mm .....	2
13	1016510	Bracket, Oil Level Switch .....	1
14	1016494	Sensor, Oil Level .....	1
15	1016496	Screw, Cross Pan-Head, M4 x .7 x 8 mm .....	3
16	1016454	Bolt, Flanged, M5 x .8 x 8 mm .....	2
17	1016472	Plate, Oil Filter Screen .....	1
18	1016521	Screen, Oil Filter .....	1
19	101915401	Camshaft, Complete .....	1
20	1016453	Tappet .....	2

**7**  
**G**

**7**  
**G**



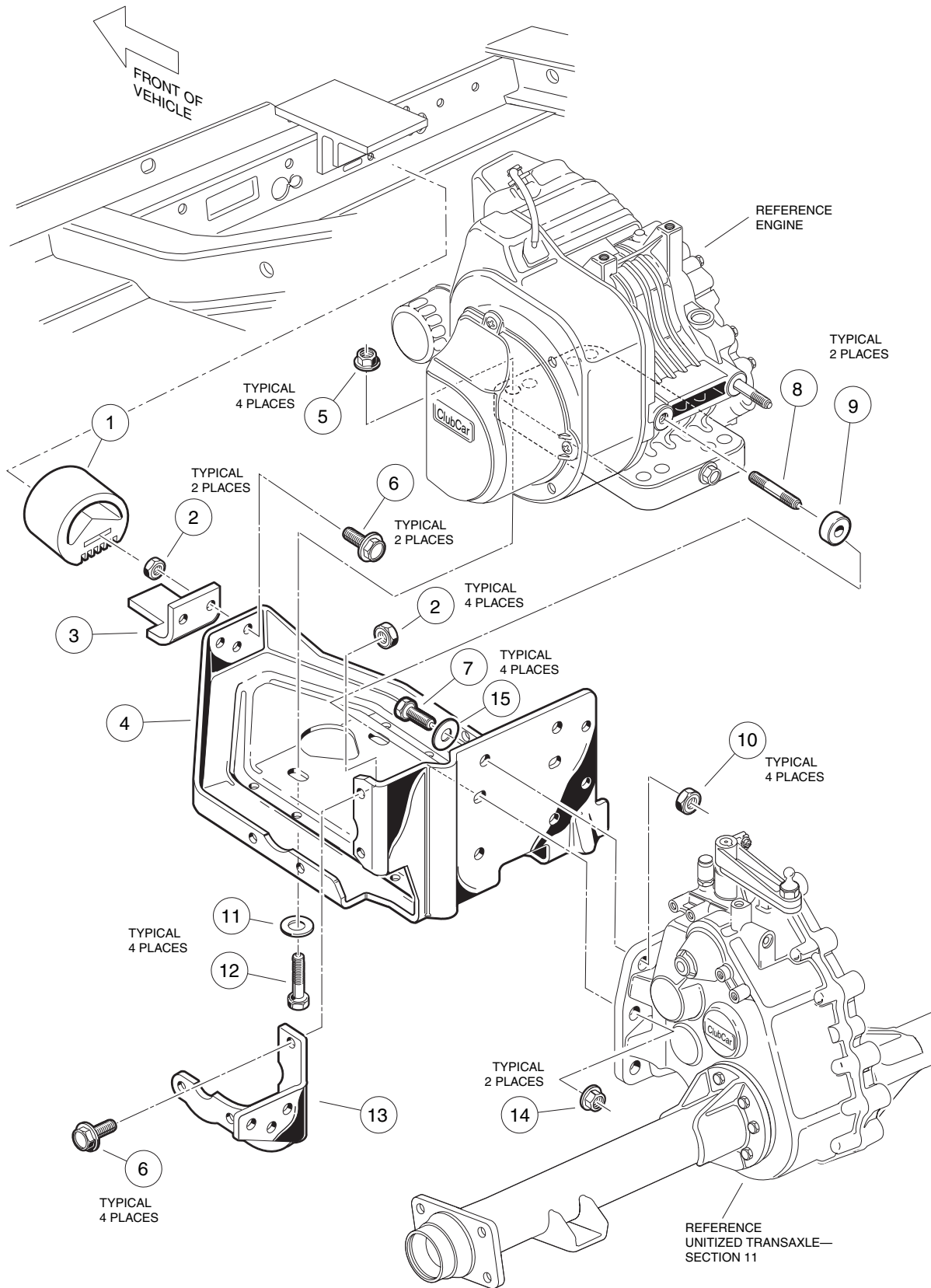
# FE290 ENGINE – CRANKCASE AND CRANKSHAFT

ITEM	PART NO.	DESCRIPTION	QTY
		1 2 3 4	
1	1016568	Seal, Oil .....	1
2	101915501	Crankcase, OHV .....	1
3	1016558	Ring, Snap .....	2
4	1016460	Pin, Piston .....	1
5	101645901	Piston, Standard .....	1
5	101645902	Piston, .25 mm Oversized .....	1
5	101645903	Piston, .50 mm Oversized .....	1
6	101646101	Ring Set, Piston, Standard .....	1
6	101646102	Ring Set, Piston, .25 mm Oversized .....	1
6	101646103	Ring Set, Piston, .50 mm Oversized .....	1
7	101647501	Assembly, Connecting Rod, Standard (includes 2 each of item 8) .....	1
7	101647502	Assembly, Connecting Rod, .50 mm Undersized (includes 2 each of item 8) .....	1
8	1016509	Screw, Hex-Head Cap, M7 x 1 x 36 mm .....	2
9	101922301	Crankshaft, FE290 (left-hand thread) (includes items 10, 11 and one each of item 12) .....	1
10	1016533	Gear, Helical .....	1
11	1016532	Gear, Spur .....	1
12	1016516	Assembly, Rod (includes one each of item 13) .....	2
13	1016580	Bearing, Plain .....	2
14	1016562	Key .....	1
15	101655001	Shim, Crankshaft, 1.13 mm Thick .....	A/R
15	101655002	Shim, Crankshaft, 1.18 mm Thick .....	A/R
15	101655003	Shim, Crankshaft, 1.23 mm Thick .....	A/R
15	101655004	Shim, Crankshaft, 1.28 mm Thick .....	A/R
15	101655005	Shim, Crankshaft, 1.33 mm Thick .....	A/R
15	101655006	Shim, Crankshaft, 1.38 mm Thick .....	A/R
15	101655007	Shim, Crankshaft, 1.43 mm Thick .....	A/R
15	101655008	Shim, Crankshaft, 1.48 mm Thick .....	A/R
15	101655009	Shim, Crankshaft, 1.53 mm Thick .....	A/R
16	1016559	Spacer .....	1
17	1016541	Bolt, Stud, M6 x 1 x 22 mm .....	4
18	1016547	Nut, Flanged, M6 x 1 .....	4
19	1016470	Shaft, Counterbalance Guide .....	1
20	1016571	O-Ring .....	1
21	1016469	Weight, Counterbalance .....	1

7

G

**7**  
**G**



# ENGINE MOUNTING

ITEM	PART NO.	DESCRIPTION	QTY
		1 2 3 4	
1	102540301	Snubber .....	1
2	1013924	Nut, Hex Lock, 5/16-24, UNF .....	6
3	101834601	Bracket, Snubber .....	1
4	101827101	Plate, Mounting .....	1
5	101963401	Nut, Flange, 5/16-18 .....	4
6	101884801	Screw, Hex Washer-Head, 5/16-24 x 7/8 .....	6
7	705	Screw, Hex-Head Cap, 3/8-16 x 1.25 .....	4
8	101833201	Stud, M8 x 1.25 x 60 mm .....	2
9	101832101	Spacer .....	2
10	102065901	Nut, Flange, 3/8-16 .....	4
11	1012571	Washer, Heavy Flat, 5/16 .....	4
12	1010577	Screw, Hex-Head Cap, 5/16-18 x 1.50 .....	4
13	101832701	Stiffener, Flywheel Side .....	1
14	101833001	Nut, Flange, M8 x 1.25 .....	2
15	334	Washer, Flat, 3/8 Type A .....	4

7

G

7

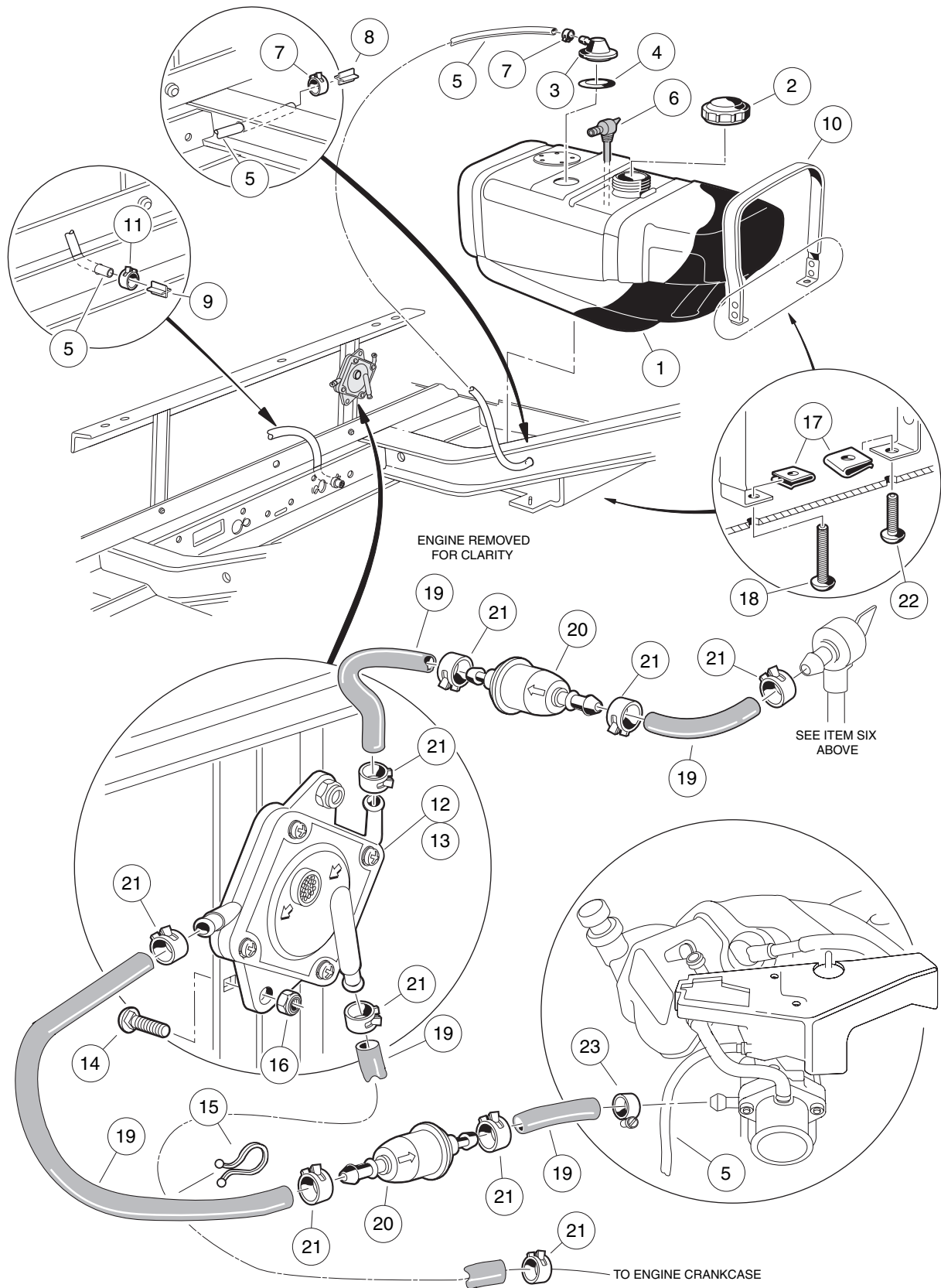
G

# FUEL, INTAKE, AND GOVERNOR SYSTEMS

---

8

G



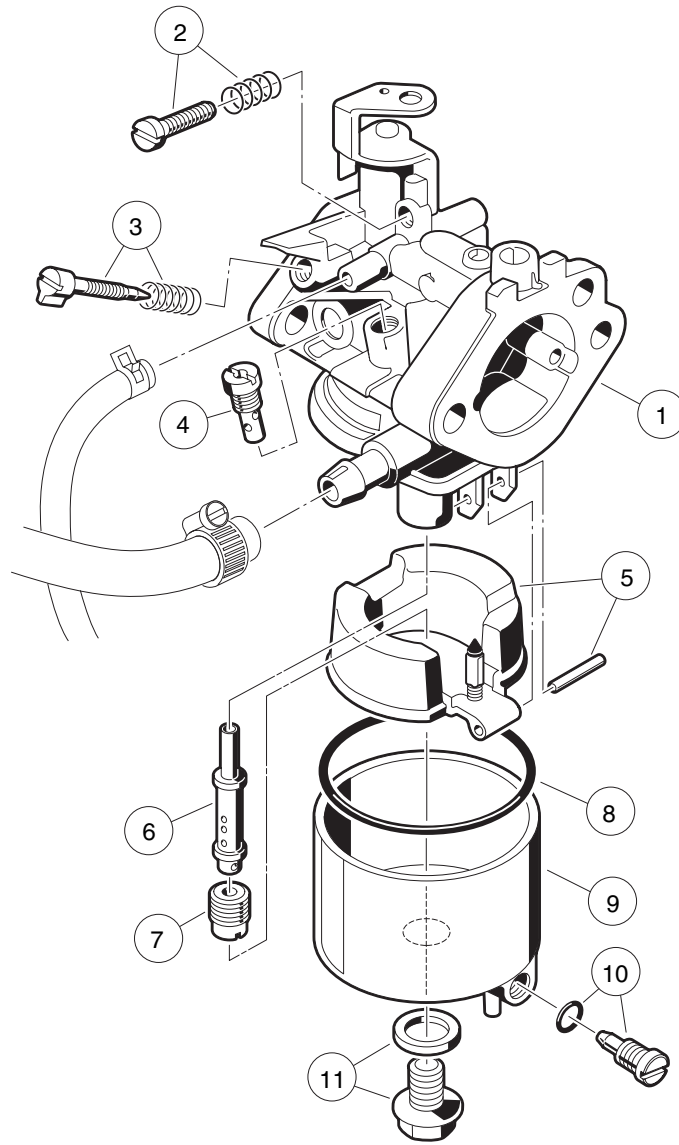


# FUEL SYSTEM

ITEM	PART NO.	DESCRIPTION	QTY
		1 2 3 4	
1	1016003	Kit, Fuel Tank (includes items 2 - 8) .....	1
2	1015188	Cap, Fuel Tank, Nonvented .....	1
3	1015143	Assembly, Fuel Tank Vent .....	1
4	1015139	Grommet, Insulation .....	1
5	1015137	Line, Bulk Vent (available by the foot) .....	A/R
6	101896901	Valve, Fuel Pickup Tube with Shut-Off .....	1
7	1013746	Clamp, Hose .....	2
8	101824401	Barb, Vent .....	1
9	101824401	Barb, Vent .....	1
10	1014928	Assembly, Rear Fuel Strap .....	1
11	1013746	Clamp, Hose .....	2
12	1014523	Pump, Fuel Impulse .....	1
13	1014524	Rebuild Kit, Fuel Impulse Pump .....	1
14	1017203	Bolt, Carriage, 1/4-20 x 1 .....	2
15	101987701	Clamp, Plastic .....	1
16	8233	Nut, Nylon Lock, 1/4-20 .....	2
17	1014116	Nut, U-Type Speed, 1/4-20 .....	2
18	1011988	Screw, Phillips Truss-Head, 1/4-20 x 2 .....	1
19	1013692	Line, Bulk Fuel (available by the foot) .....	A/R*
20	102003201	Filter, Fuel .....	2
21	1012649	Clamp, Hose (red) .....	9
22	8248	Screw, Phillips Truss-Head, 1/4-20 x 3/4 .....	1
23	1013687	Clamp, Hose, 3/8 .....	1
* The total fuel line length for the DS Golf Car is 47 inches (119.4 cm).			

8

G

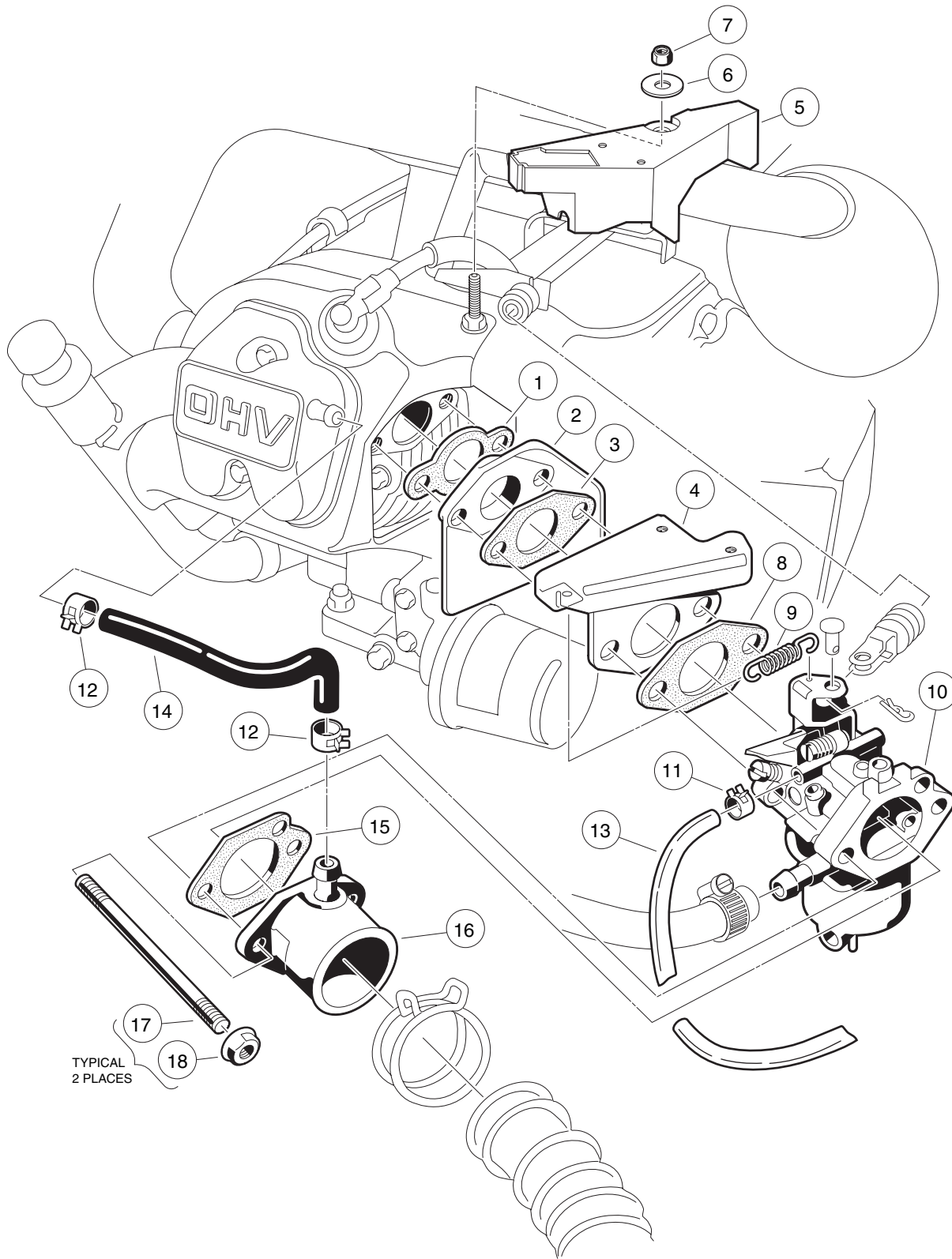


# CARBURETOR ASSEMBLY

ITEM	PART NO.	DESCRIPTION	QTY
		1 2 3 4	
1	101905601	Assembly, Carburetor (includes items 2 - 11) .....	1
2	1016501	Assembly, Idle Screw .....	1
3	N/A	Assembly, Pilot Air Screw .....	1
4	101973101	Jet, Pilot, #40 .....	1
5	1016486	Assembly, Float .....	1
6	101973201	Nozzle, Main .....	1
		Standard Jetting:	
7	101642582	Jet, Main, 0 - 3,000 feet .....	1
7	101642580	Jet, Main, 3,000 - 5,000 feet .....	A/R
7	101642578	Jet, Main, 5,000 - 8,000 feet .....	A/R
7	101642575	Jet, Main, 8,000 - 10,000 feet .....	A/R
7	101642572	Jet, Main, 10,000 Feet and Above .....	A/R
8	1016437	Gasket, Float Chamber .....	1
9	1017461	Assembly, Float Chamber (includes item 10) .....	1
10	1016499	Assembly, Screw .....	1
11	1016585	Assembly, Bolt .....	1

8

G

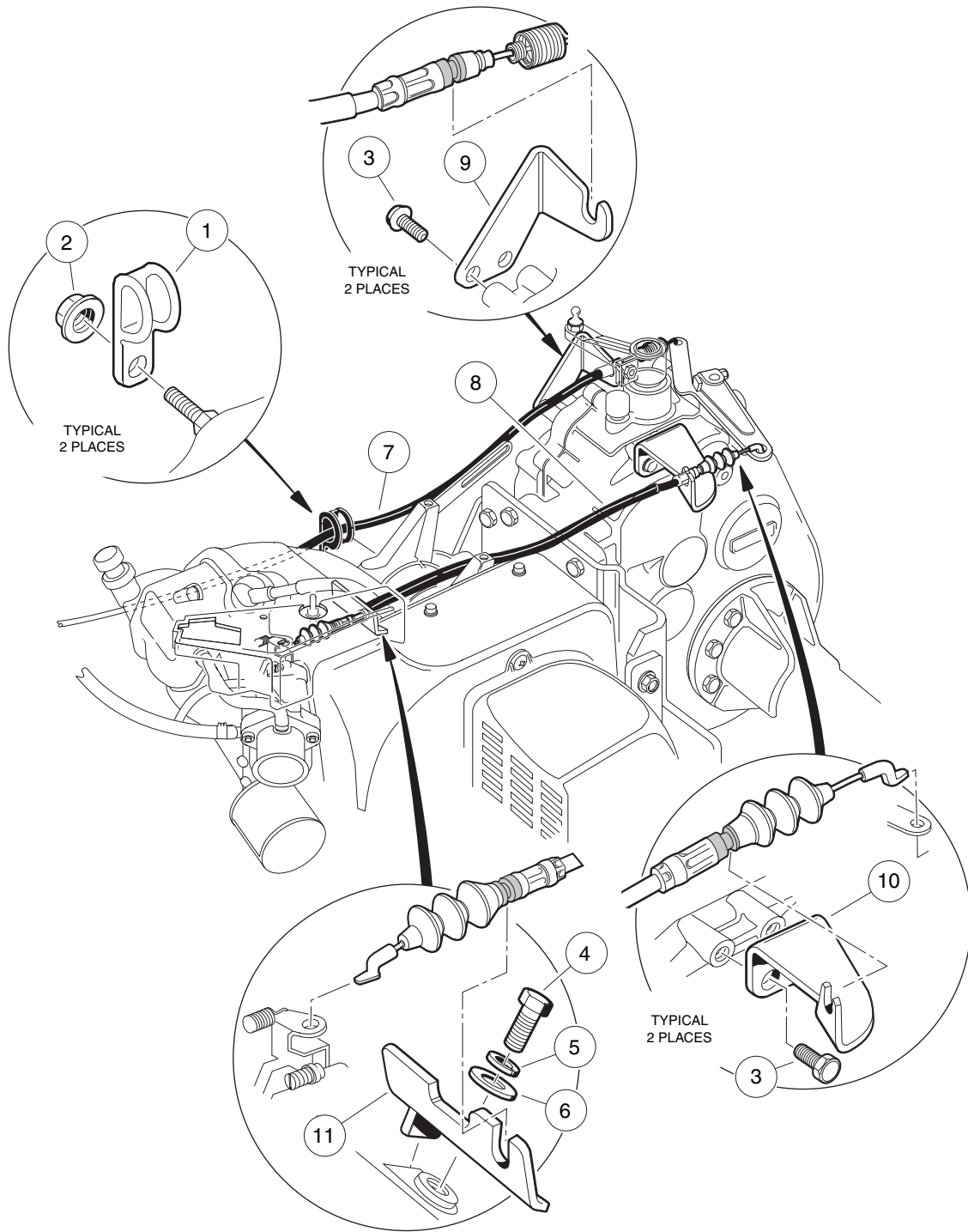


# CARBURETOR INSTALLATION

ITEM	PART NO.	DESCRIPTION	QTY
		1 2 3 4	
1	1016440	Gasket, Insulator .....	1
2	101648102	Insulator, Carburetor .....	1
3	1016439	Gasket, Carburetor Insulator to Throttle Bracket .....	1
4	1016444	Bracket, Throttle .....	1
5	101820201	Guard, Governor .....	1
6	1011697	Washer, Flat, 5/16 .....	1
7	101887601	Nut, Nylon Lock, M6 x 1 .....	1
8	1016441	Gasket, Throttle Bracket to Carburetor .....	1
9	1016582	Spring, Throttle Return .....	1
10	101905601	Assembly, Carburetor .....	1
11	1013746	Clamp, Hose (gray) .....	1
12	1017466	Clamp, Hose (bronze) .....	2
13	1015137	Line, Bulk Vent (available by the foot) .....	A/R
14	1016572	Tube, Crankcase Vent .....	1
15	1016438	Gasket, Carburetor to Intake Manifold .....	1
16	1016480	Pipe, Intake .....	1
17	101649002	Screw, 2-Ended Stud, M6 x 1 x 90 mm .....	2
18	1016547	Nut, Flanged, M6 x 1 .....	2

**8**

**G**

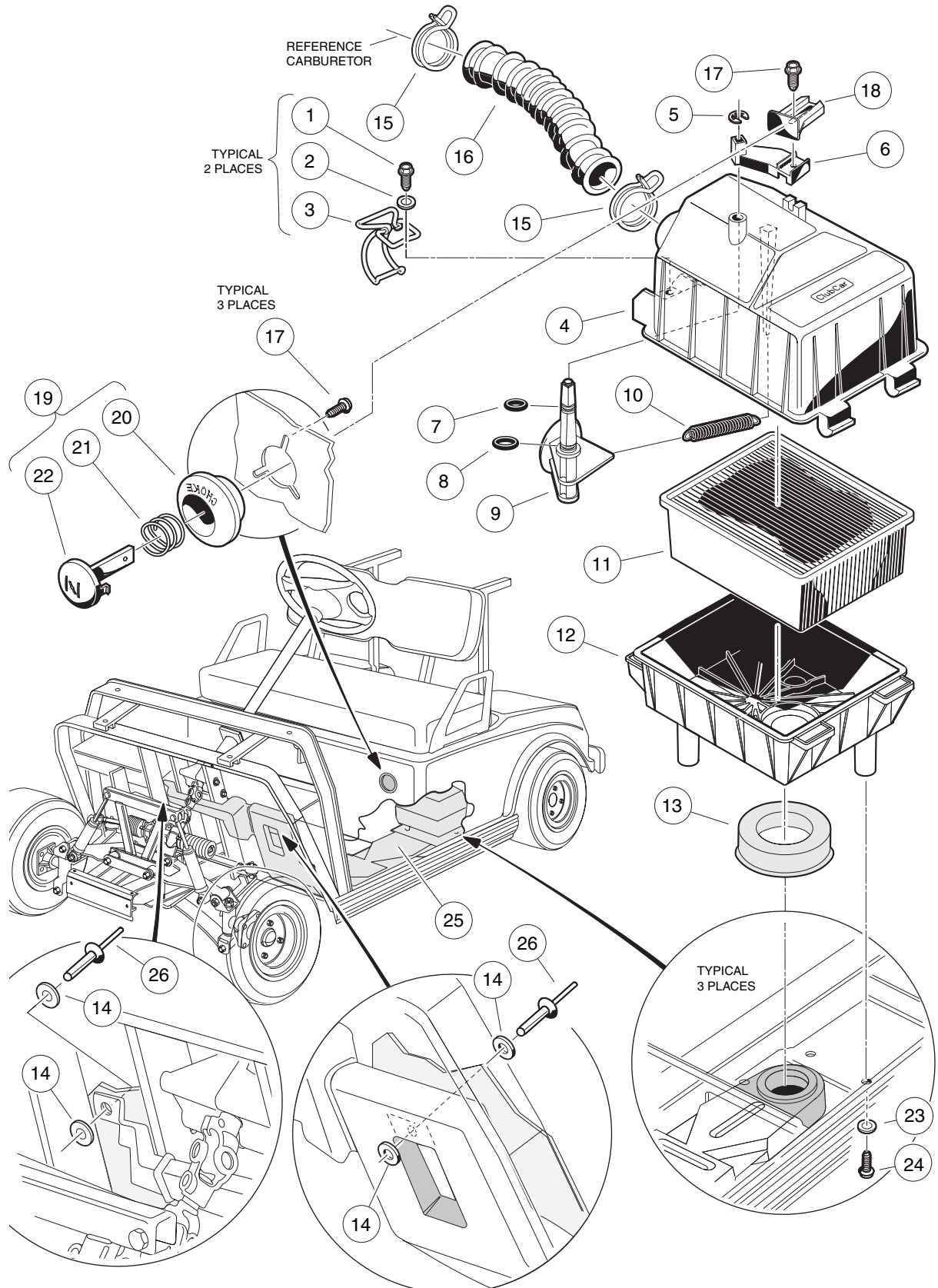


# GOVERNOR AND ACCELERATOR CABLES

ITEM	PART NO.	DESCRIPTION	QTY
		1 2 3 4	
1	1013700	Clamp, Cable Retaining .....	2
2	1016546	Nut, Flanged Hex, M8 x 1.25 .....	2
3	1012285	Screw, Hex, Type TT, 1/4-20 x 5/8 .....	4
4	101903501	Screw, Hex-Head Cap, M8 x 1.25 x 24 mm .....	1
5	7174	Washer, Lock, 5/16 .....	1
6	1011697	Washer, Flat, 5/16 .....	1
7	102336101	Cable, Accelerator, Snap-in .....	1
8	102336001	Cable, Governor, Snap-in .....	1
9	101832302	Bracket, Accelerator Support .....	1
10	101832202	Bracket, Support .....	1
11	101584502	Bracket, Governor Cable Engine .....	1

8

G





# INTAKE DUCT, CHOKE, AND AIR BOX ASSEMBLY

ITEM	PART NO.	DESCRIPTION	QTY
		1 2 3 4	
	101821501	Assembly, Air Box (includes items 1 - 13) .....	1
1	101804301	Screw, Hex-Head Hi-Lo, #8-1/2 .....	2
2	101881701	Washer, Stainless Steel, #8 .....	2
3	101925701	Latch, Wire .....	2
4	101972801	Assembly, Air Box Top (includes items 5 - 10) .....	1
5	101813001	E-Clip .....	1
6	101917601	Lever, Choke .....	1
7	N/A	O-Ring, 5/16 (red) .....	1
8	N/A	O-Ring, 3/8 (green) .....	1
9	N/A	Valve, Choke .....	1
10	101812301	Spring, Return .....	1
11	1015426	Filter, Air .....	1
12	101811901	Bottom, Air Box .....	1
13	101921501	Seal, Intake .....	1
14	183	Washer, Flat, #10 .....	4
15	101971301	Clamp, Hose (air Intake) .....	2
16	101837101	Hose, Intake .....	1
17	101850301	Screw, Hex Washer-Head Hi-Lo, #12 x 1/2 .....	4
18	101917701	Positioner, Choke .....	1
19	101805701	Assembly, Choke Button (includes items 20, 21 and 22) .....	1
20	101811501	Guide, Choke Lever .....	1
21	101856201	Spring, Compression .....	1
22	101811401	Lever, Choke .....	1
23	332	Washer, Flat, 1/4 .....	3
24	1015752	Screw, Hex Washer-Head Hi-Lo, #12-16 x 5/8 .....	3
25	101958101	Assembly, Air Duct .....	1
26	1606	Rivet, Pop, 3/16 .....	2
	101971001	Air Duct Repair Kit (not shown) .....	A/R

8

G

8

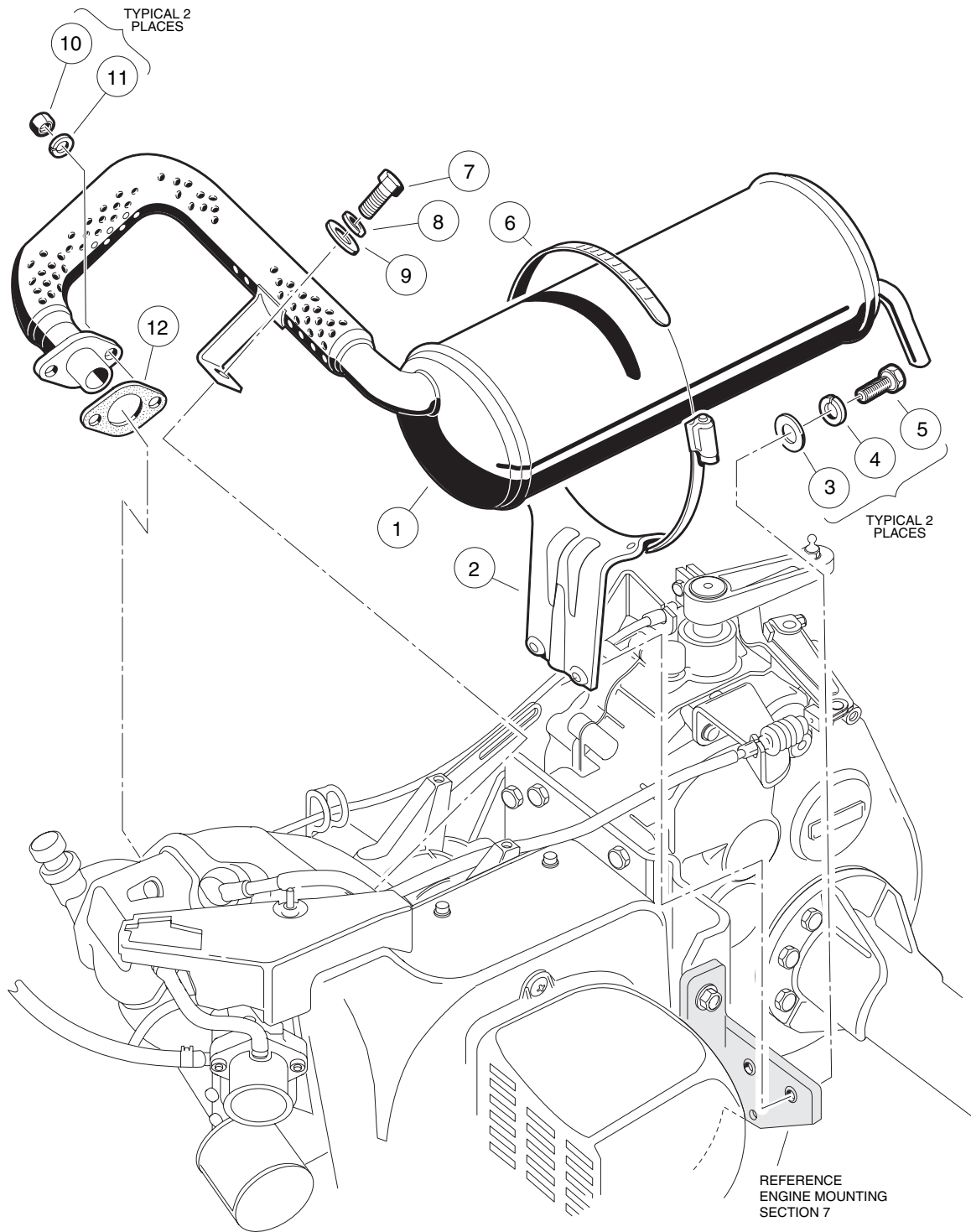
G

# EXHAUST SYSTEM

---

9

G



# EXHAUST SYSTEM

ITEM	PART NO.	DESCRIPTION	QTY
		1 2 3 4	
1	101859301	System, Exhaust .....	1
2	1015814	Bracket, Muffler Mounting .....	1
3	332	Washer, Flat, 1/4 .....	2
4	451	Washer, Lock, 1/4 .....	2
5	7847	Screw, Hex-Head Cap, 1/4-20 x 3/4 .....	2
6	1017689	Clamp, Muffler .....	1
7	1012830	Screw, Hex-Head Cap, M8 x 1.25 x 22 mm .....	1
8	7174	Washer, Lock, 5/16 .....	1
9	1015075	Washer, Flat, 5/16 .....	1
10	1012528	Nut, Hex, M8 x 1.25 .....	2
11	1013734	Washer, Lock, 8 mm .....	2
12	1015330	Gasket, Exhaust .....	1

**9**

**G**

9

G

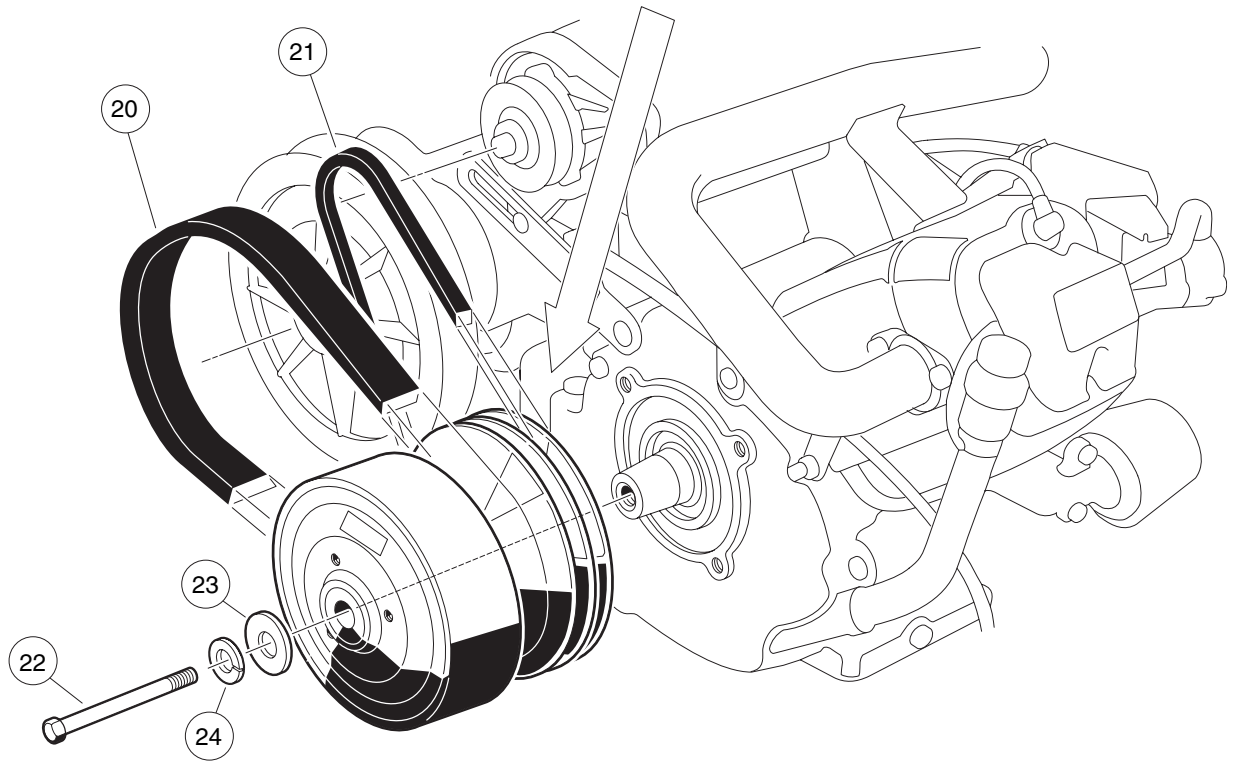
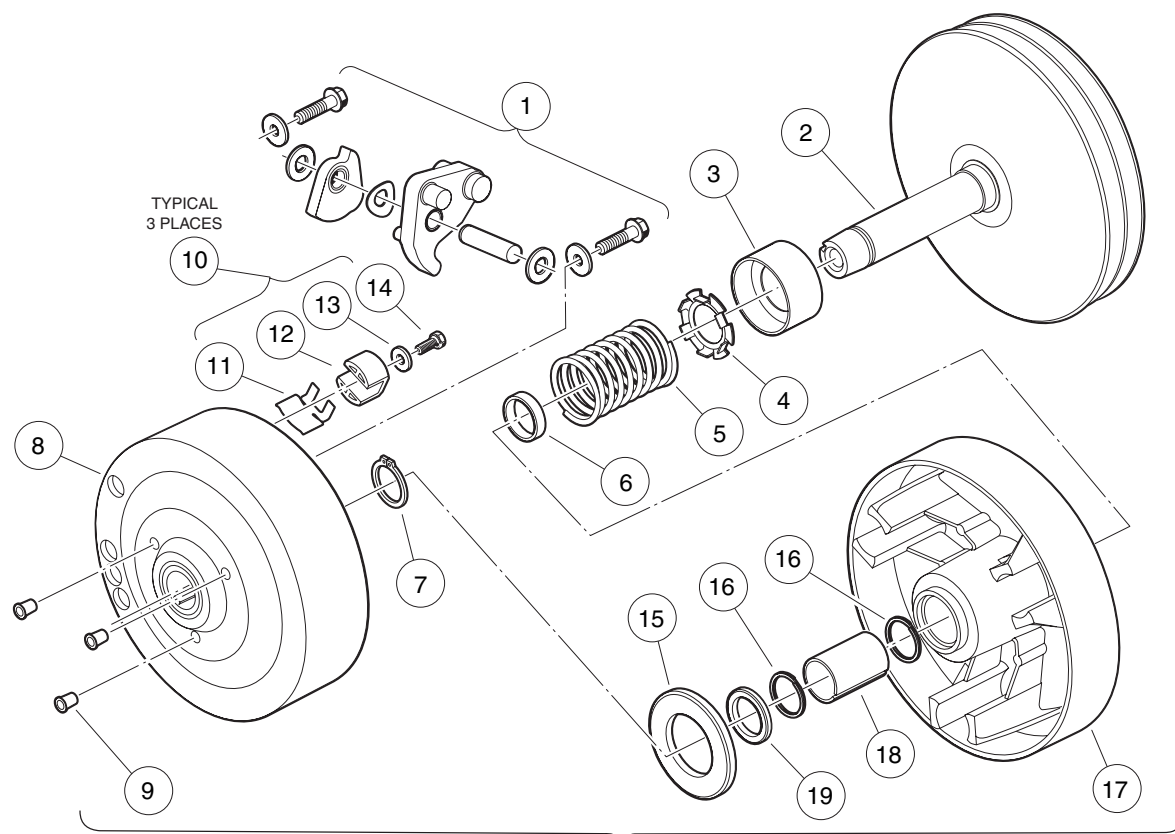
# TORQUE CONVERTER

---

10

G

**10**  
**G**



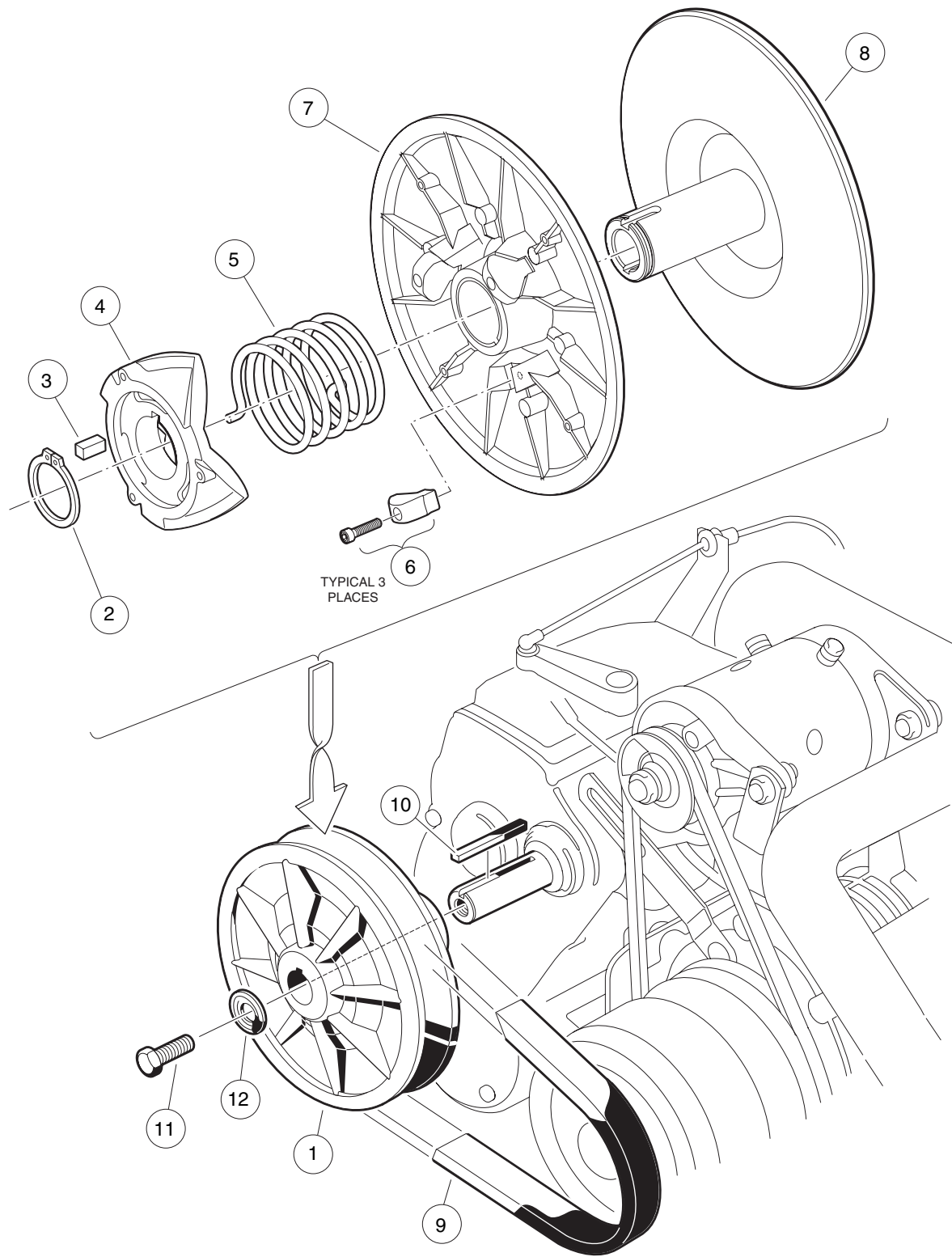


# DRIVE CLUTCH

ITEM	PART NO.	DESCRIPTION	QTY
		1 2 3 4	
	101833902	Assembly, Drive Clutch (includes items 1 - 19) .....	1
1	1016801	Kit, Drive Clutch Weight .....	1
2	101929801	Assembly, Fixed Face .....	1
3	1014049	Bearing, Idler .....	1
4	1014050	Retainer, Spring .....	1
5	1014051	Spring, Drive Clutch – Black .....	1
6	1016289	Spacer, Fixed Face Shaft .....	1
7	1014057	Ring, Retaining .....	1
8	1014059	Assembly, Drive Hub .....	1
9	N/A	Plug, Drive Clutch .....	3
10	1014453	Kit, Drive Clutch Button (includes item 11 - 14) .....	1
11	1014287	Spring, Drive Button .....	3
12	1014062	Driver, Drive Clutch .....	3
13	183	Washer, Flat, #10, Type A .....	3
14	8450	Screw, Hex-Head, #10-24 x .5 .....	3
15	1014058	Washer, Thrust .....	1
16	1014056	Ring, Spiral Back-Up .....	2
17	1014052	Assembly, Movable Face (includes items 18 and 19) .....	1
18	N/A	Bushing .....	1
19	1014055	Retainer .....	1
20	1016203	Belt, Drive .....	1
21	101916701	Belt, Starter/Generator .....	1
22	101916501	Screw, Hex-Head Cap, 3/8-24 x 5-1/2 (left-hand threads) .....	1
23	808	Washer, Flat, 3/8 .....	1
24	357	Washer, Lock, 3/8 .....	1

**10**  
**G**

**10**  
**G**



# DRIVEN CLUTCH

ITEM	PART NO.	DESCRIPTION	QTY
		1 2 3 4	
1	101834001	Assembly, Driven Clutch (includes items 2 - 8) .....	1
2	1014080	Ring, Retaining .....	1
3	1014078	Key .....	1
4	1017686	Cam .....	1
5	101836201	Spring – Green .....	1
6	1014454	Kit, Driven Clutch Button (includes 3 screws and 3 buttons) .....	1
7	1014072	Assembly, Moveable Face with Bushing .....	1
8	1014070	Face, Fixed .....	1
9	1016203	Belt, Drive .....	1
	AM10419	Kit, Driven Clutch Hardware Repair (includes items 10 - 12) .....	1
10	101833401	Key, Square Transmission .....	1
11	102242101	Screw, Hex-Head Cap, Thread-Locking, 5/16-18 x 3/4 .....	1
12	1017327	Washer, Driven Clutch .....	1

10

G

10

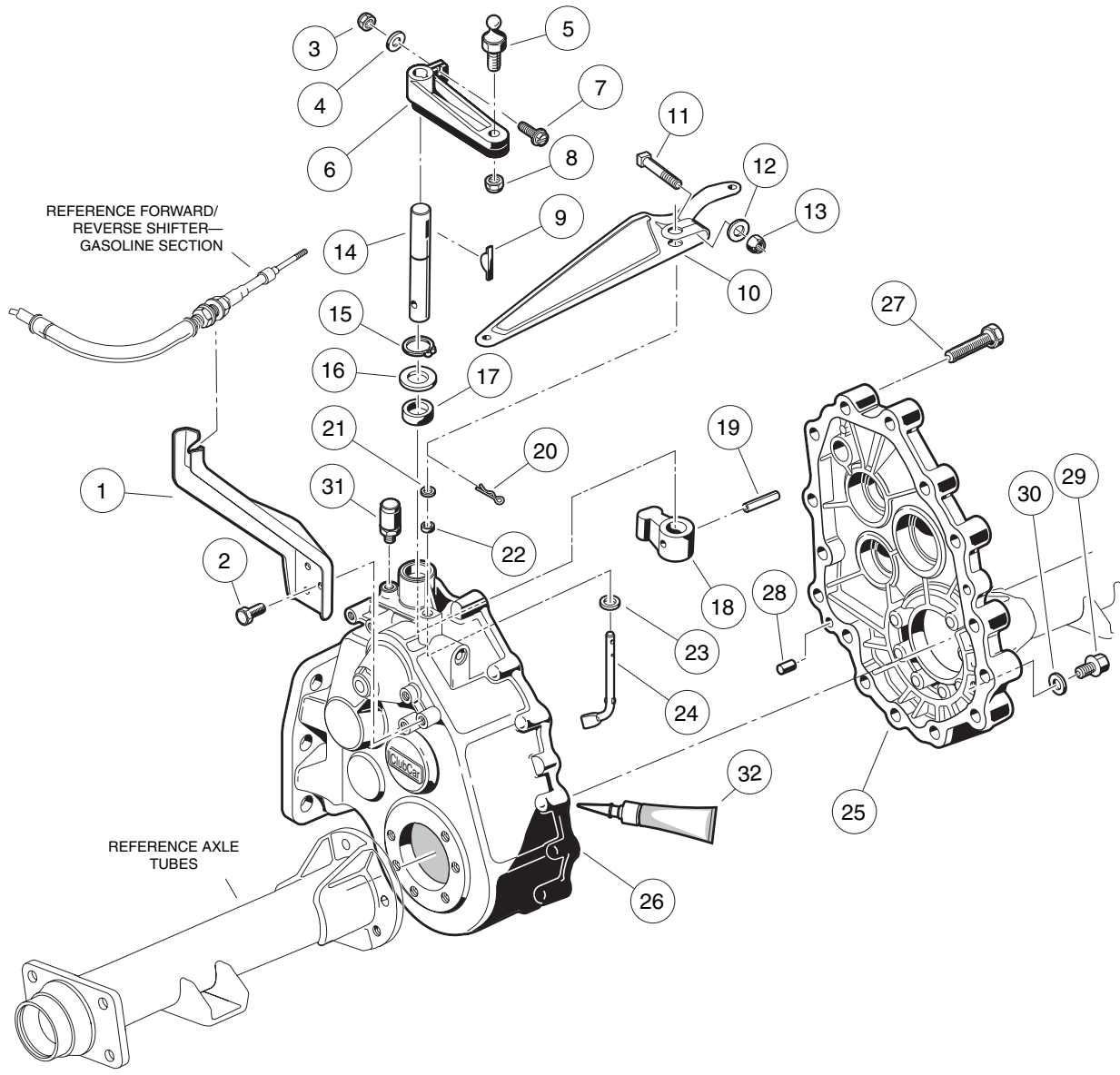
G

# UNITIZED TRANSAXLE

---

11

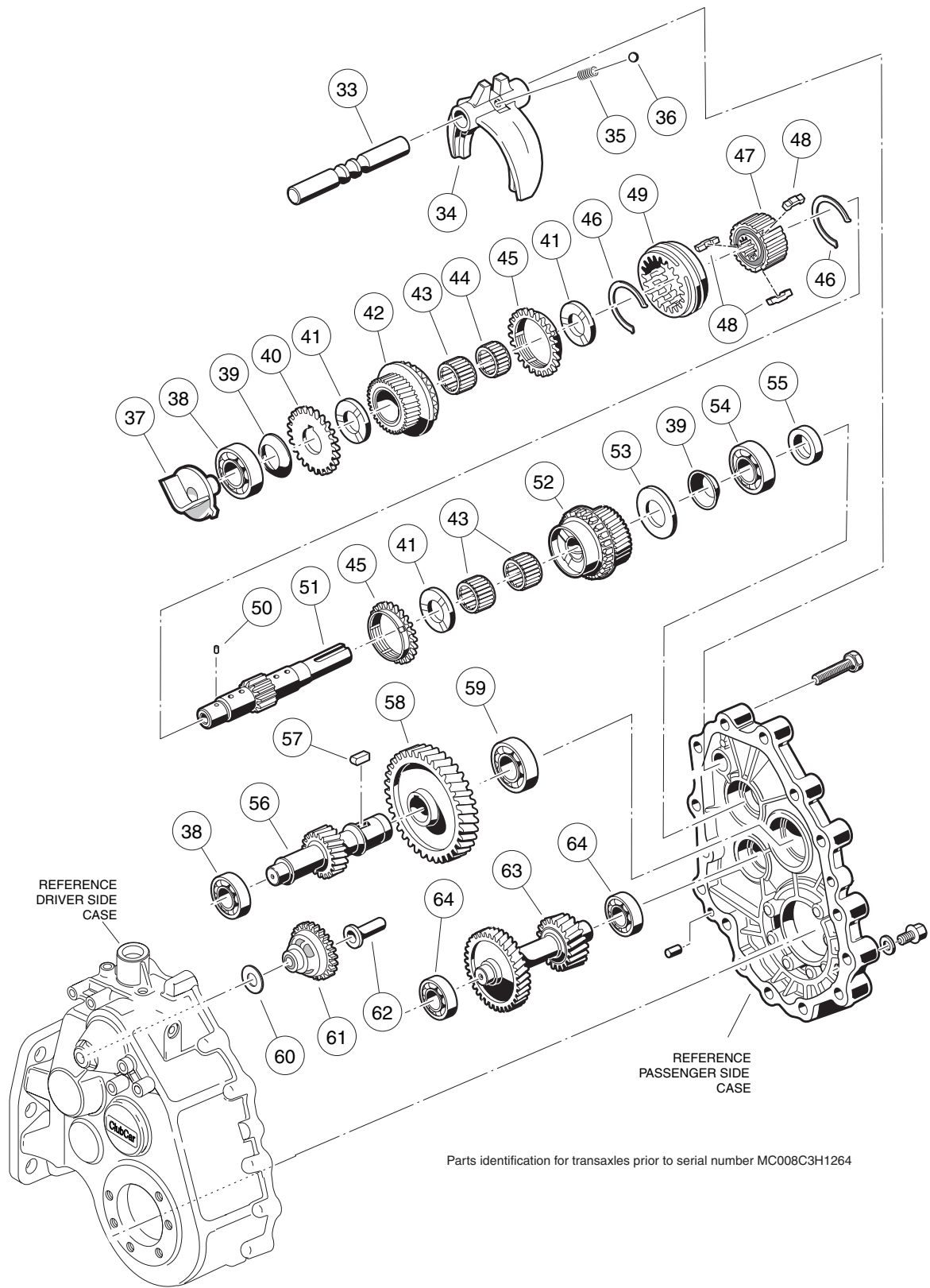
G



# MC008C-ES00 PRIOR TO SERIAL NUMBER MC008C3H1264 – GEAR CASES AND BRACKETS

ITEM	PART NO.	DESCRIPTION	QTY
		1 2 3 4	
1	101922601	Bracket, Transmission Cable Support .....	1
2	1012285	Screw, Hex, Type TT, 1/4-20 x 5/8 .....	3
3	1013061	Nut, Nylon Lock, #10-32 .....	1
4	183	Washer, Flat, #10 .....	1
5	1010954	Stud, Ball, 1/4-28 x 9/16 .....	1
6	1016341	Lever, Transmission Shifter .....	1
7	1017082	Screw, Hex Washer-Head, #10-32 x 3/4 .....	1
8	8717	Nut, Nylon Lock, 1/4-28 .....	1
9	1017231	Key, Woodruff .....	1
10	101834801	Arm, Governor Lever .....	1
11	101886101	Screw, Square-Head, 1/4-20 x 1 .....	1
12	1014007	Washer, Type B, 1/4 .....	1
13	8233	Nut, Nylon Lock, 1/4-20 .....	1
	101833601	Unitized Transaxle (includes items 14 - 88) .....	1
14	101890201	Shaft, Shifter .....	1
15	101927301	Ring, Snap .....	1
16	101892901	Washer, Flat .....	1
17	101927201	Seal, Oil .....	1
18	101890101	Lever, Shifter .....	1
19	1012752	Pin, Roll .....	1
20	101928601	Pin, Cotter .....	1
21	1016513	Washer, Flat .....	1
22	101927101	Seal, Oil .....	1
23	101893801	Washer .....	1
24	101891301	Arm, Pivot .....	1
25	101890601	Gear Case (passenger side) .....	1
26	101890501	Gear Case (driver side) .....	1
27	101926901	Bolt, Flanged, M8 x 1.25 x 40 mm .....	15
28	1012896	Pin, Dowel .....	2
29	1013759	Plug, Drain (includes item 30) .....	2
30	1016432	Gasket .....	1
31	1012711	Breather .....	1
32	101928701	Gasket, Liquid, 8.8 oz. (250 grams) .....	A/R

**11**  
**G**

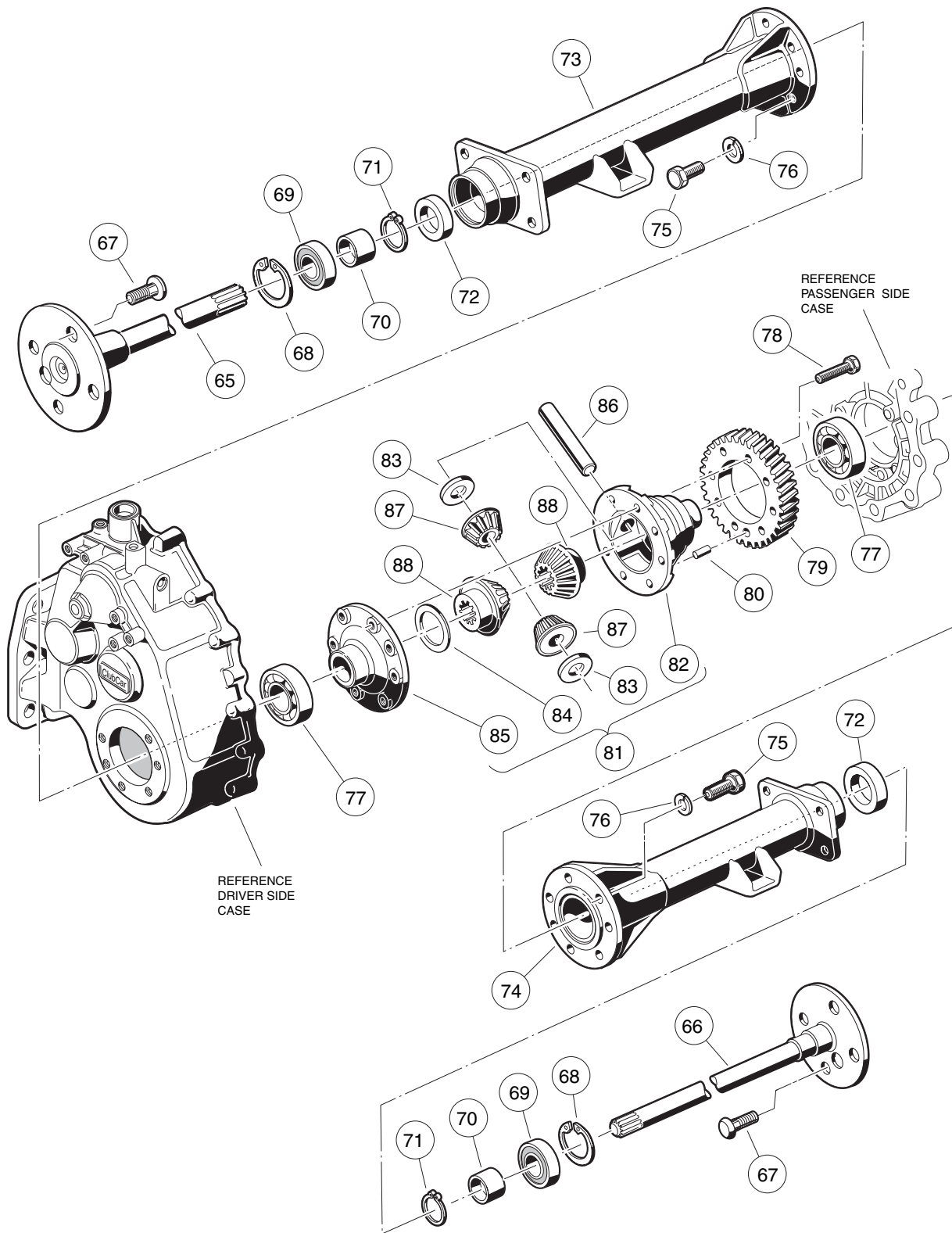




# MC008C-ES00 PRIOR TO SERIAL NUMBER MC008C3H1264 – TRANSMISSION AND GEAR REDUC-

ITEM	PART NO.	DESCRIPTION	QTY
		1 2 3 4	
33	101892001	Rod, Shift .....	1
34	101890001	Fork, Shift .....	1
35	1012748	Spring .....	1
36	1012747	Ball, Steel .....	1
37	101889401	Guide .....	1
38	AM10080	Bearing, Ball, Sealed .....	2
39	1016338	Washer, Spring .....	2
40	101892401	Gear, Spur .....	1
41	101892201	Plate, Thrust .....	3
42	101980901	Gear Assembly, Input, 28 Tooth (16°) .....	1
43	101927601	Bearing, Needle .....	3
44	101927501	Bearing, Needle .....	1
45	101981001	Ring, Synchronizer (16°) .....	2
46	1012741	Spring, Synchronizer .....	2
47	101928001	Hub, Synchronizer Clutch .....	1
48	1012740	Insert, Synchronizer .....	3
49	101927901	Sleeve, Synchronizer .....	1
50	101927701	Pin, Dowel .....	1
51	101889901	Shaft, Input .....	1
52	101980801	Gear Assembly, Input, 25 Tooth (16°) .....	1
53	1016337	Washer, Thrust .....	1
54	AM10081	Bearing, Ball, C-3 Sealed .....	1
55	1012714	Seal, Oil, Input Shaft .....	1
56	101892601	Gear, 17 Tooth .....	1
57	101893201	Key .....	1
58	101892501	Gear, 61 Tooth .....	1
59	101928101	Bearing, Ball .....	1
60	101893901	Washer .....	1
61	101892301	Governor Assembly .....	1
62	101891601	Sleeve .....	1
63	101891901	Gear, Cluster Idler .....	1
64	7335	Bearing, Ball .....	2

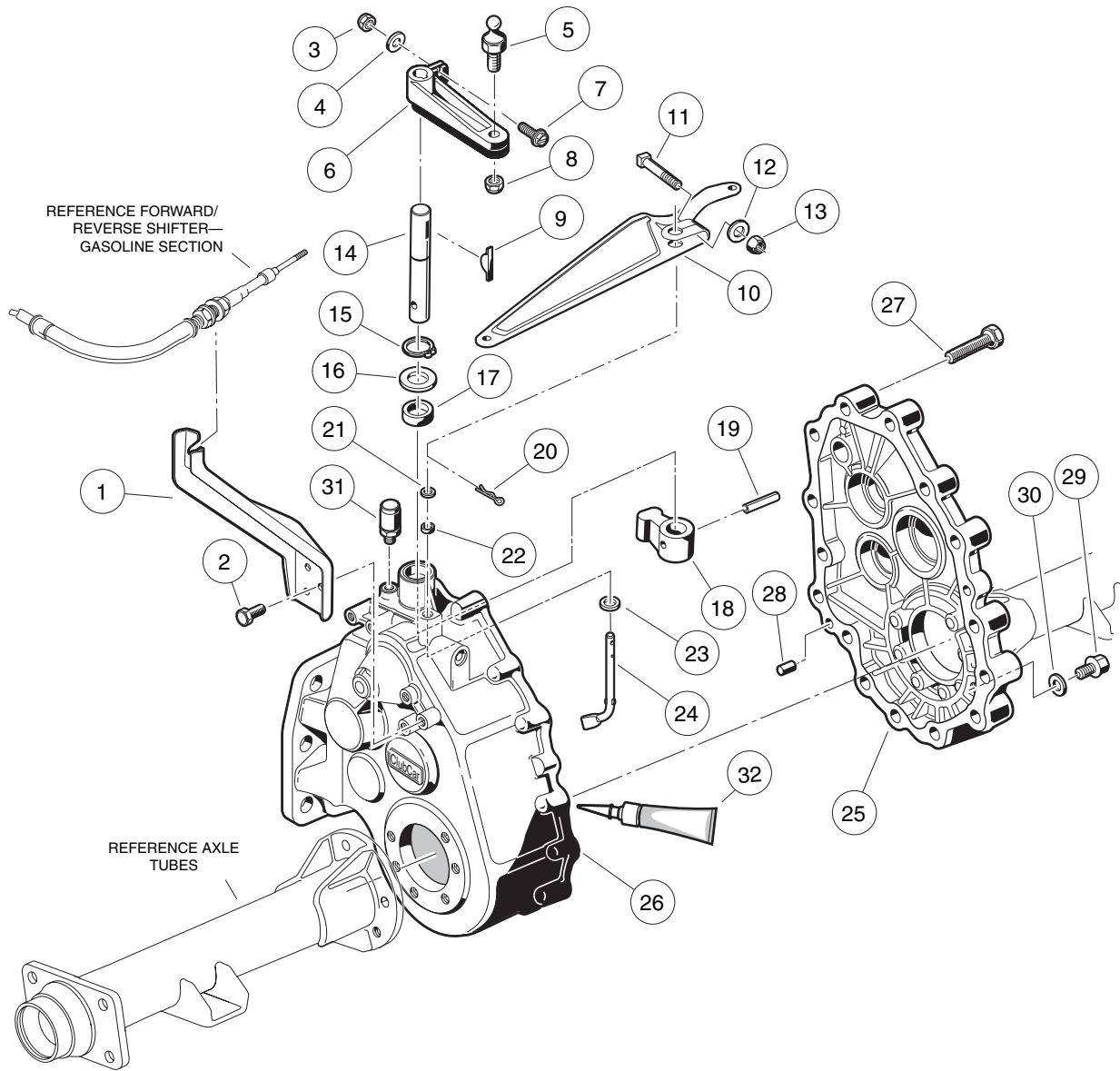
**11**  
**G**



# MC008C-ES00 PRIOR TO SERIAL NUMBER MC008C3H1264 – DIFFERENTIAL AND AXLES

ITEM	PART NO.	DESCRIPTION	QTY
		1 2 3 4	
65	101891501	Axle Assembly, Driver-Side (Includes items 67 - 71) .....	1
66	101891401	Axle Assembly, Passenger-Side (includes items 67 - 71) .....	1
67	1013787	Stud, Lug .....	4
68	1013792	Ring, Retaining .....	1
69	1011291	Bearing, Outer Axle Tube .....	1
70	1014207	Collar, 25 mm I. D. ....	1
71	1016672	Ring, Retaining .....	1
72	1013794	Seal, Oil .....	2
73	101891001	Assembly, Axle Tube, Driver-Side .....	1
74	101890901	Assembly, Axle Tube, Passenger-Side .....	1
75	1013790	Bolt, M10 x 1.5 x 30 mm .....	14
76	1013791	Washer, Lock, M10 .....	14
77	7330	Bearing, Inner Axle Tube .....	2
78	101928301	Bolt, M8 x 1.25 x 37 mm .....	8
79	101892701	Gear, Output .....	1
80	1014193	Pin, Dowel .....	1
81	101910501	Kit, Differential Gear Case (includes items 82 - 85) .....	1
82	1013768	Case, Gear Carrier .....	1
83	1013774	Plate, Thrust (idler gear) .....	2
84	1013773	Plate, Thrust (differential gear) .....	1
85	1013769	Cover, Gear Case .....	1
86	1013772	Pin, Differential .....	1
87	1013770	Gear, Differential Idler .....	2
88	1013771	Gear, Differential .....	2

**11**  
**G**

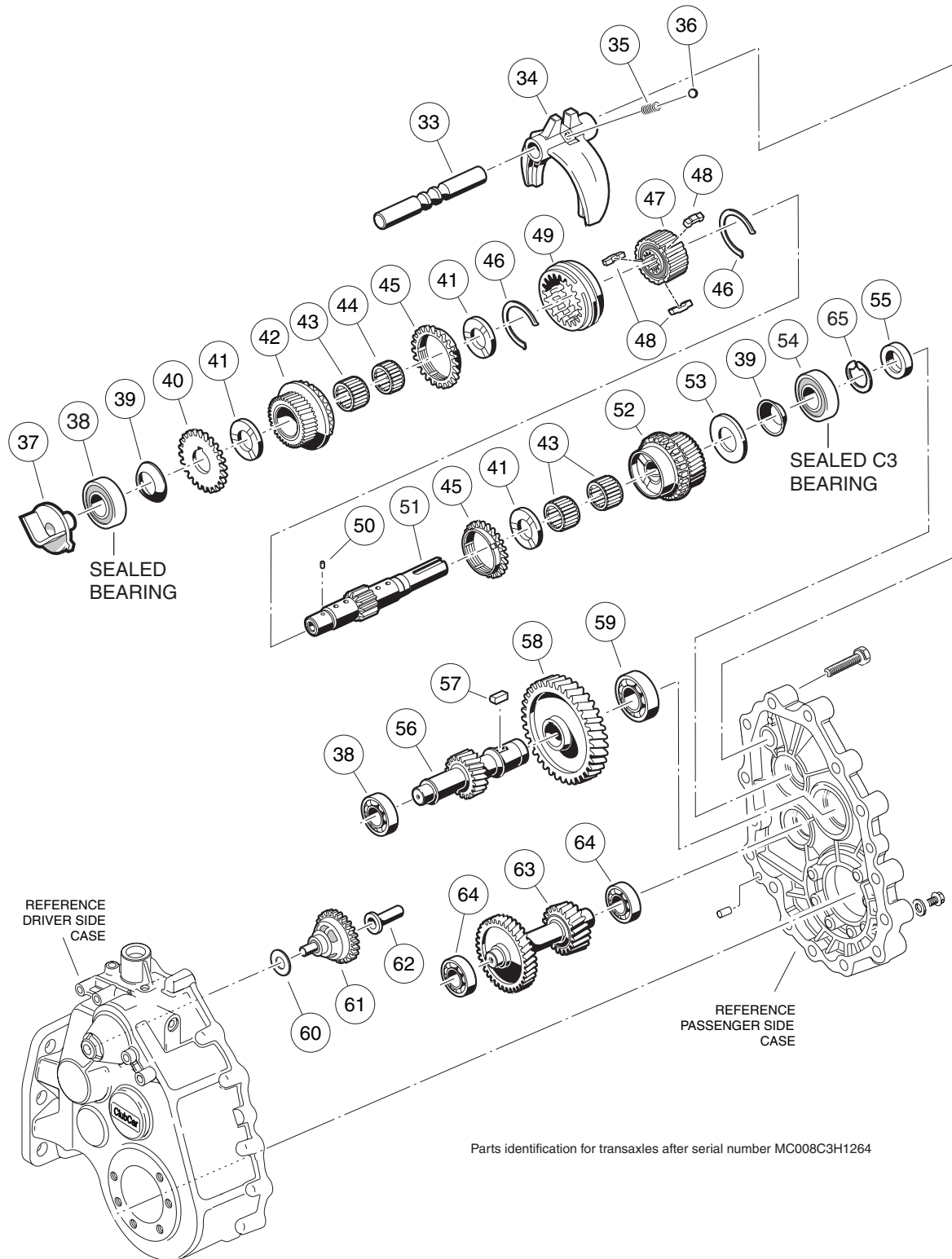


# MC008C-ES00 AFTER SERIAL NUMBER MC008C3H1264 – GEAR CASES AND BRACKETS

ITEM	PART NO.	DESCRIPTION	QTY
		1 2 3 4	
1	101922601	Bracket, Transmission Cable Support .....	1
2	1012285	Screw, Hex, Type TT, 1/4-20 x 5/8 .....	3
3	1013061	Nut, Nylon Lock, #10-32 .....	1
4	183	Washer, Flat, #10 .....	1
5	1010954	Stud, Ball, 1/4-28 x 9/16 .....	1
6	1016341	Lever, Transmission Shifter .....	1
7	1017082	Screw, Hex Washer-Head, #10-32 x 3/4 .....	1
8	8717	Nut, Nylon Lock, 1/4-28 .....	1
9	1017231	Key, Woodruff .....	1
10	101834801	Arm, Governor Lever .....	1
11	101886101	Screw, Square-Head, 1/4-20 x 1 .....	1
12	1014007	Washer, Type B, 1/4 .....	1
13	8233	Nut, Nylon Lock, 1/4-20 .....	1
	101833601	Unitized Transaxle (includes items 14 - 89) .....	1
14	101890201	Shaft, Shifter .....	1
15	101927301	Ring, Snap .....	1
16	101892901	Washer, Flat .....	1
17	101927201	Seal, Oil .....	1
18	101890101	Lever, Shifter .....	1
19	1012752	Pin, Roll .....	1
20	101928601	Pin, Cotter .....	1
21	1016513	Washer, Flat .....	1
22	101927101	Seal, Oil .....	1
23	101893801	Washer .....	1
24	101891301	Arm, Pivot .....	1
25	101890601	Gear Case (passenger side) .....	1
26	101890501	Gear Case (driver side) .....	1
27	101926901	Bolt, Flanged, M8 x 1.25 x 40 mm .....	15
28	1012896	Pin, Dowel .....	2
29	1013759	Plug, Drain (includes item 30) .....	2
30	1016432	Gasket .....	1
31	1012711	Breather .....	1
32	101928701	Gasket, Liquid, 8.8 oz. (250 grams) .....	A/R

11

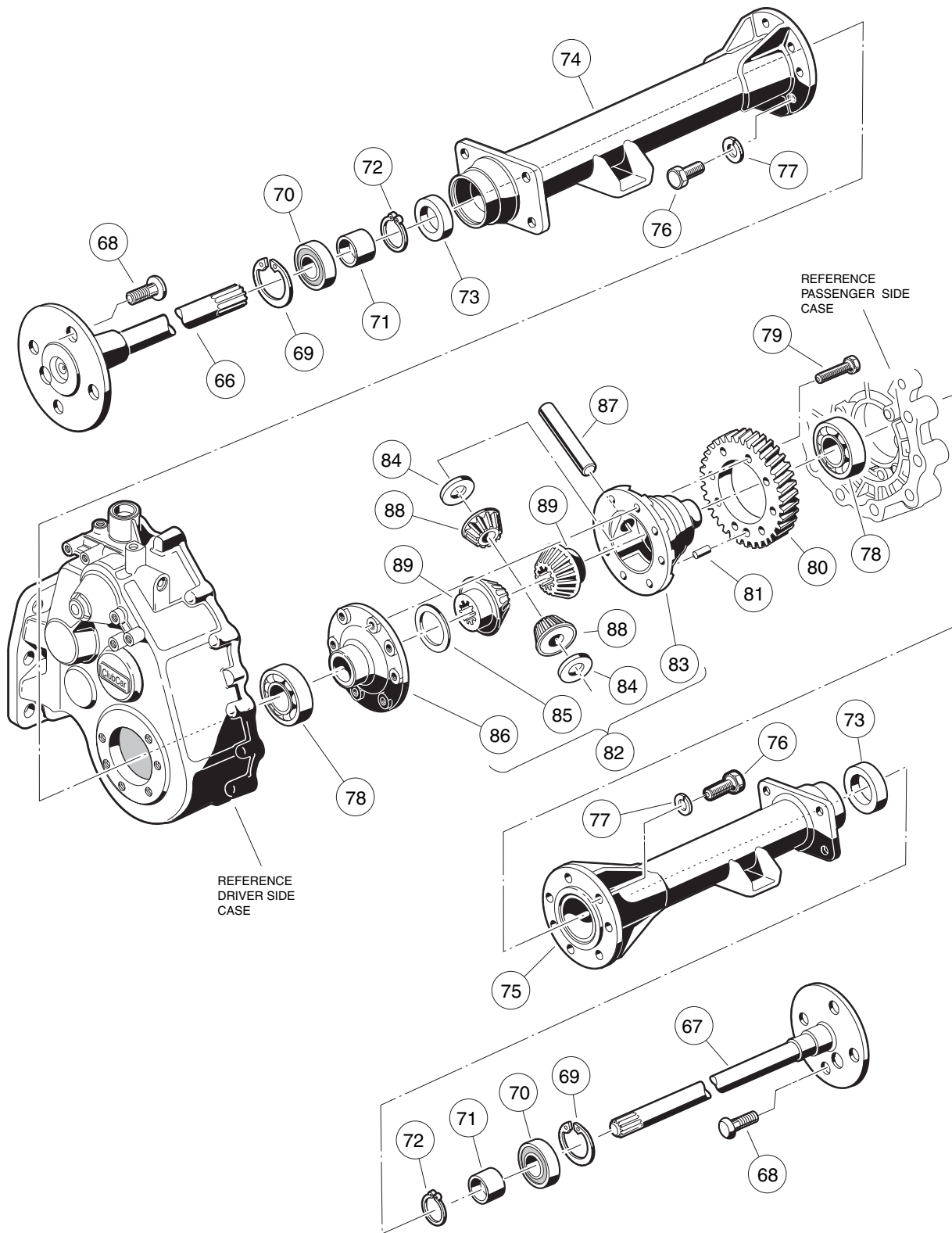
G



# MC008C-ES00 AFTER SERIAL NUMBER MC008C3H1264 – TRANSMISSION AND GEAR REDUCTION

**11**  
**G**

ITEM	PART NO.	DESCRIPTION	QTY
		1 2 3 4	
33	101892001	Rod, Shift .....	1
34	101890001	Fork, Shift .....	1
35	1012748	Spring .....	1
36	1012747	Ball, Steel .....	1
37	101889401	Guide .....	1
38	AM10080	Bearing, Ball, Sealed .....	2
39	1016338	Washer, Spring .....	2
40	101892401	Gear, Spur .....	1
41	101892201	Plate, Thrust .....	3
42	101980901	Gear Assembly, Input, 28 Tooth (16°) .....	1
43	101927601	Bearing, Needle .....	3
44	101927501	Bearing, Needle .....	1
45	101981001	Ring, Synchronizer (16°) .....	2
46	1012741	Spring, Synchronizer .....	2
47	101928001	Hub, Synchronizer Clutch .....	1
48	1012740	Insert, Synchronizer .....	3
49	101927901	Sleeve, Synchronizer .....	1
50	101927701	Pin, Dowel .....	1
51	102453001	Shaft, Input, w/Circlip Groove .....	1
52	101980801	Gear Assembly, Input, 25 Tooth (16°) .....	1
53	1016337	Washer, Thrust .....	1
54	AM10081	Bearing, Ball, C-3 Sealed .....	1
55	1012714	Seal, Oil, Input Shaft .....	1
56	101892601	Gear, 17 Tooth .....	1
57	101893201	Key .....	1
58	101892501	Gear, 61 Tooth .....	1
59	101928101	Bearing, Ball .....	1
60	101893901	Washer .....	1
61	101892301	Governor Assembly .....	1
62	101891601	Sleeve .....	1
63	101891901	Gear, Cluster Idler .....	1
64	7335	Bearing, Ball .....	2
65	102453101	Circlip, Input Shaft.....	1





# MC008C-ES00 AFTER SERIAL NUMBER MC008C3H1264 – DIFFERENTIAL AND AXLES

ITEM	PART NO.	DESCRIPTION	QTY
		1 2 3 4	
66	101891501	Axle Assembly, Driver-Side (Includes items 68 - 72) .....	1
67	101891401	Axle Assembly, Passenger-Side (includes items 68 - 72) .....	1
68	1013787	Stud, Lug .....	4
69	1013792	Ring, Retaining .....	1
70	1011291	Bearing, Outer Axle Tube .....	1
71	1014207	Collar, 25 mm I. D. ....	1
72	1016672	Ring, Retaining .....	1
73	1013794	Seal, Oil .....	2
74	101891001	Assembly, Axle Tube, Driver-Side .....	1
75	101890901	Assembly, Axle Tube, Passenger-Side .....	1
76	1013790	Bolt, M10 x 1.5 x 30 mm .....	14
77	1013791	Washer, Lock, M10 .....	14
78	7330	Bearing, Inner Axle Tube .....	2
79	101928301	Bolt, M8 x 1.25 x 37 mm .....	8
80	101892701	Gear, Output .....	1
81	1014193	Pin, Dowel .....	1
82	101910501	Kit, Differential Gear Case (includes items 83 - 86) .....	1
83	1013768	Case, Gear Carrier .....	1
84	1013774	Plate, Thrust (idler gear) .....	2
85	1013773	Plate, Thrust (differential gear) .....	1
86	1013769	Cover, Gear Case .....	1
87	1013772	Pin, Differential .....	1
88	1013770	Gear, Differential Idler .....	2
89	1013771	Gear, Differential .....	2

11

G

11

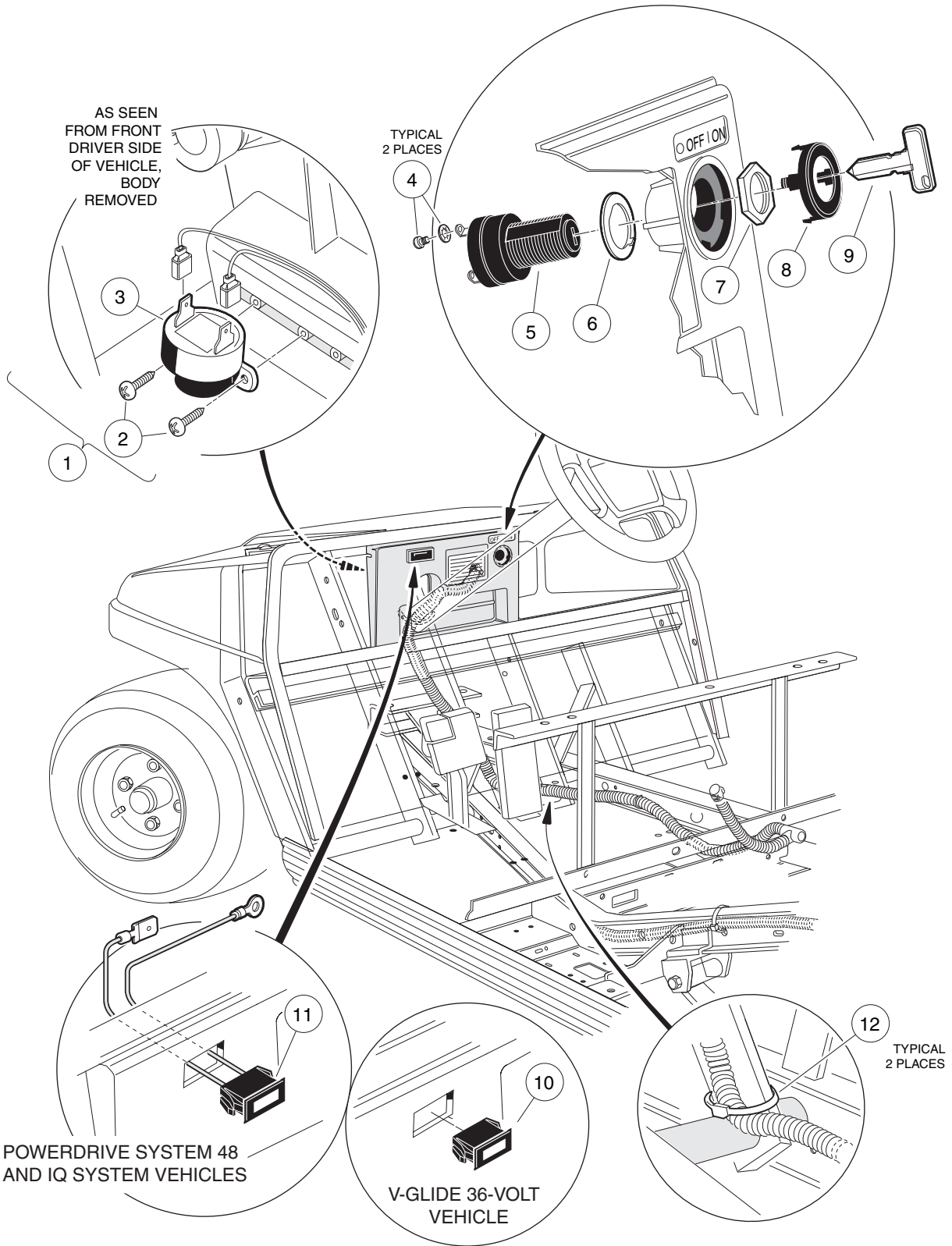
G

# ELECTRICAL SYSTEM – ELECTRIC VEHICLE

---

12

E

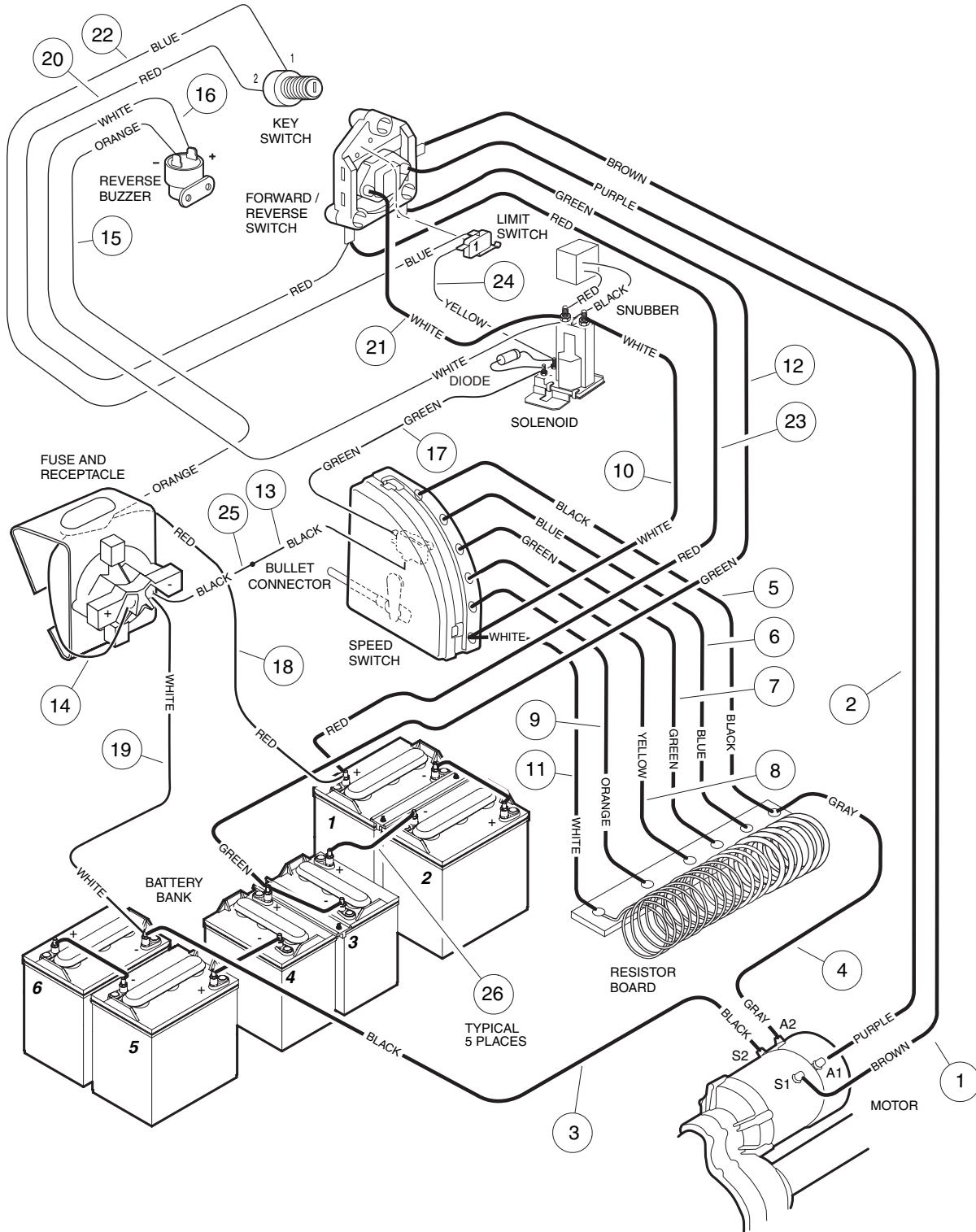


# ELECTRICAL COMPONENTS, FRONT BODY – ELECTRIC VEHICLE

ITEM	PART NO.	DESCRIPTION	QTY
		1 2 3 4	
1	1016859	Kit, Reverse Buzzer (includes items 2 and 3) .....	1
2	1016849	Screw, Pan-Head Hi-Lo, #4-24 x 5/16 .....	2
3	1016851	Buzzer, Reverse .....	1
4	101830601	Assembly, Screw and Washer .....	2
5	101826201	Switch, Key .....	1
6	101851101	Washer, Key Switch .....	1
7	101830701	Nut, Key Switch .....	1
8	101834502	Cap, Key Switch .....	1
9	1012505	Key (pair) .....	1
9	AM10079	Key (bag of 50) * .....	1
10	101802601	Plug, Hole (V-Glide 36-Volt vehicle only) .....	1
11	101935501	Light, Battery Warning (amber) (PowerDrive System 48 and IQ System) .....	1
12	8990	Tie, Wire .....	2
		* Must order in multiples of 50.	

12

E

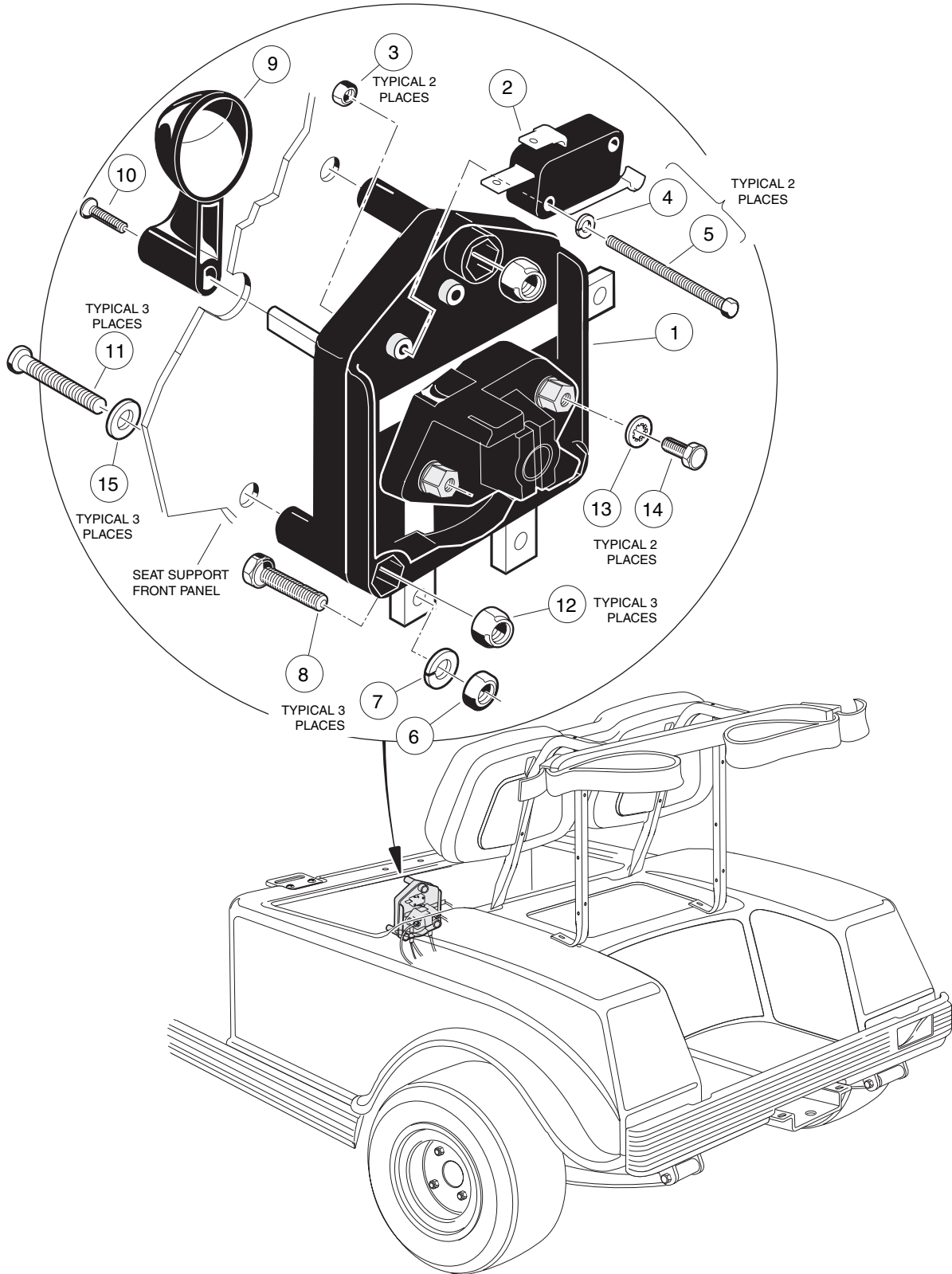


# WIRING – V-GLIDE 36-VOLT VEHICLE

ITEM	PART NO.	DESCRIPTION	QTY
		1 2 3 4	
1	1016070	Wire Assembly, #6 Brown .....	1
2	1016069	Wire Assembly, #6 Purple .....	1
3	1012651	Wire Assembly, #6 Black .....	1
4	1016068	Wire Assembly, #6 Gray .....	1
5	1014036	Wire Assembly, #6 Black, 6th Speed .....	1
6	1014035	Wire Assembly, #6 Blue, 5th Speed .....	1
7	1014034	Wire Assembly, #6 Green, 4th Speed .....	1
8	1014033	Wire Assembly, #6 Yellow, 3rd Speed .....	1
9	1014032	Wire Assembly, #6 Orange, 2nd Speed .....	1
10	1014029	Wire Assembly, #6 White .....	1
11	1014030	Wire Assembly, #6 White, 1st Speed .....	1
12	1014828	Wire Assembly, #6 Green .....	1
13	N/A	Wire Assembly, #18 Black .....	1
14	1013092	Wire Assembly, #10 Red .....	1
15	N/A	Wire Assembly, #18 Orange .....	1
16	N/A	Wire Assembly, #18 White .....	1
17	N/A	Wire Assembly, #18 Green .....	1
18	102018001	Wire Assembly, #10 Red .....	1
19	1011010	Wire Assembly, #10 White .....	1
20	N/A	Wire Assembly, #18 Red .....	1
21	1014039	Wire Assembly, #6 White .....	1
22	N/A	Wire Assembly, #18 Blue .....	1
23	1011069	Wire Assembly, #6 Red .....	1
24	N/A	Wire Assembly, #18 Yellow .....	1
25	N/A	Wire Assembly, #18 Black .....	1
26	1010958	Wire Assembly, #6 Black .....	5

12

E



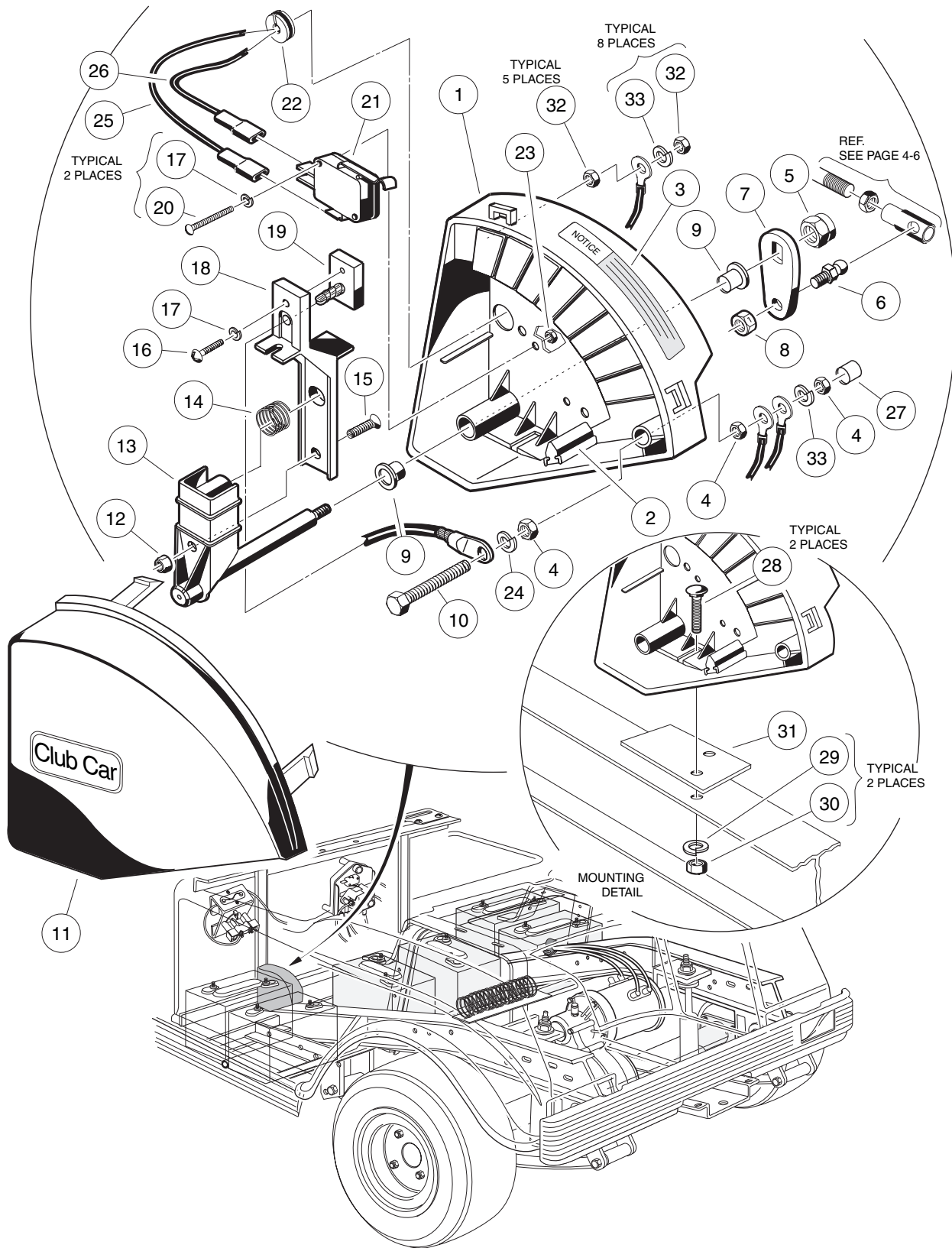


# FORWARD/REVERSE SWITCH – V-GLIDE 36-VOLT VEHICLE

ITEM	PART NO.	DESCRIPTION	QTY
		1 2 3 4	
1	1011997	Assembly, Forward/Reverse Switch (includes items 2 - 5) .....	1
2	1014808	Switch, Limit .....	1
3	8057	Nut, Hex, #4-40 .....	2
4	8058	Washer, Lock, #4 .....	2
5	1016896	Screw, Hex-Head Machine, #4-40 x 1-1/8 .....	2
6	1028	Nut, Hex, 1/4-20 .....	3
7	451	Washer, Lock, 1/4 .....	3
8	304	Screw, Hex-Head Cap, 1/4-20 x 1 .....	3
9	1012987	Handle, Forward/Reverse Switch .....	1
10	1015064	Screw, Phillips Oval Countersunk, Machine, SS, #8-32 x 5/8 .....	1
11	1016845	Screw, Phillips Truss-Head, 1/4-20 x 2-1/8 .....	3
12	8233	Nut, Nylon Lock, 1/4-20 .....	3
13	8049	Washer, Internal Tooth Lock, #10 .....	2
14	8450	Screw, Hex-Head Machine, #10-24 x 1/2 .....	2
15	1014528	Washer, Plastic, 1/4 .....	3

12

E



# WIPER SWITCH – V-GLIDE 36-VOLT VEHICLE

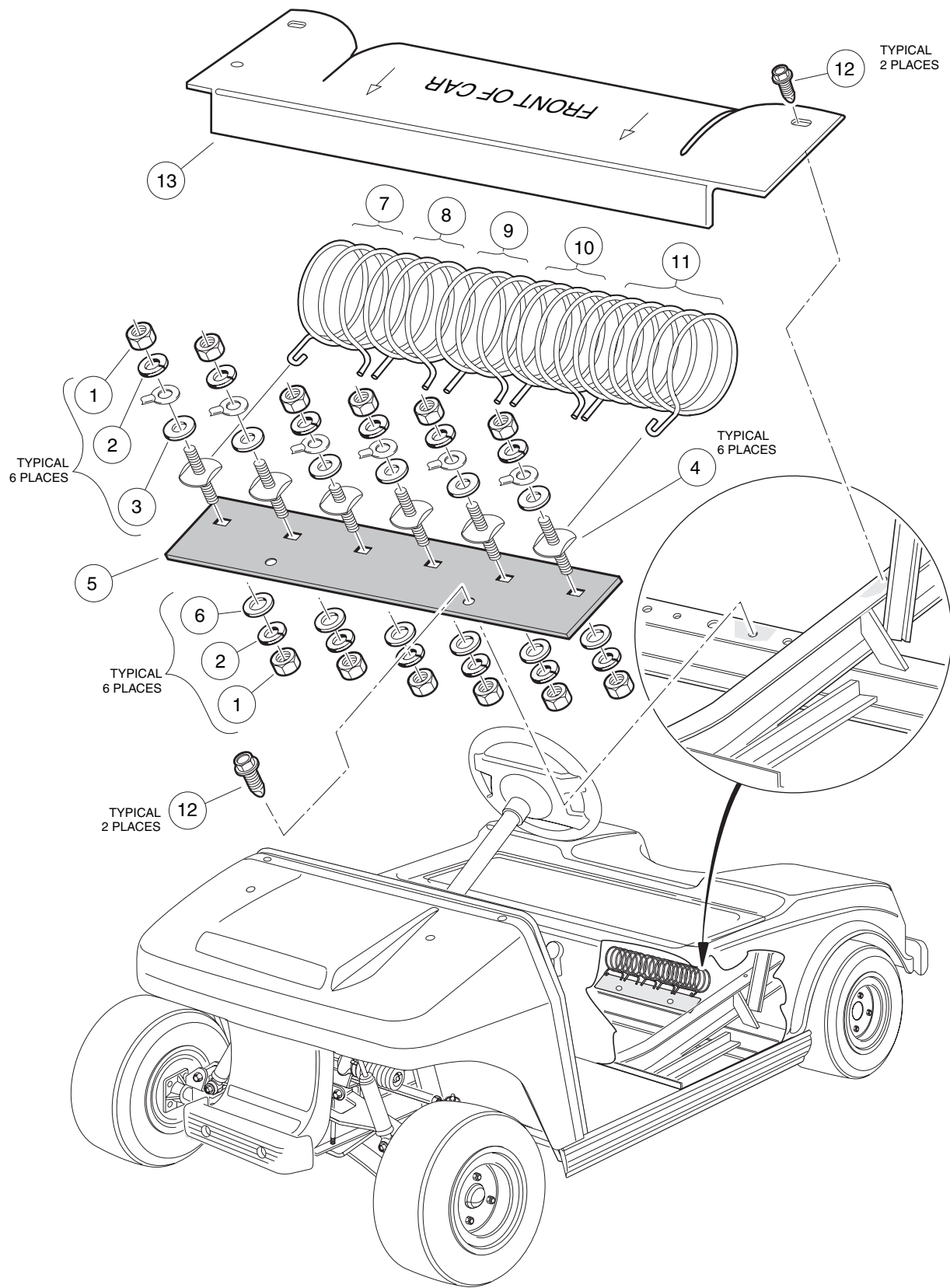
ITEM	PART NO.	DESCRIPTION	QTY
		1 2 3 4	
	1014735	Assembly, V-Glide Wiper Switch and Resistor Group (includes Wiper Switch Assembly listed below, Resistor and Board Assembly – items 1 - 11 on page 12-11, and connecting wires – items 5 - 11 on page 12-5) .....	1
	1016140	Assembly, V-Glide Wiper Switch (includes items 1 - 27) .....	1
1	1014999	Assembly, Wiper Switch Case, 6-Speed (includes items 2 and 3) .....	1
2	1014414	Bumper, Wiper Switch .....	1
3	101610901	Decal, Wiper Switch Warning .....	1
4	1014253	Nut, Brass Hex Jam, 1/4-20 .....	3
5	7473	Nut, Nylon Lock, 5/16-18 .....	1
6	1012353	Stud, Short Ball, 1/4-28 .....	1
7	1014003	Crank, Bell .....	1
8	8449	Nut, Dimpled Lock, 1/4-28 .....	1
9	1012903	Bearing, Bronze, 3/8 x 1/2 .....	2
10	1014189	Screw, Bronze Hex-Head Cap, 1/4-20 x 2 .....	1
11	1013886	Cover, Wiper Switch Case .....	1
12	1013061	Nut, Nylon Lock, #10-32 .....	1
13	1014017	Carrier, Wiper Switch Arm .....	1
14	1013998	Spring, Wiper Switch Brush .....	1
15	1014000	Stud, Wiper Switch Adjusting .....	1
16	1014019	Screw, Self-Tapping, #4-40 x 3/8 .....	1
17	8058	Washer, Lock, #4 .....	3
18	1013887	Arm, Speed Switch .....	1
19	1013860	Assembly, Switch Brush .....	1
20	8056	Screw, Round-Head Machine, #4-40 x 3/4 .....	2
21	1014807	Switch, Limit .....	1
22	1014010	Grommet, Split .....	1
23	8057	Nut, Hex, #4-40 .....	2
24	451	Washer, Lock, 1/4 .....	1
25	N/A	Wire Assembly, #18 Black .....	1
26	N/A	Wire Assembly, #18 Green .....	1
27	1017692	Cap, Protector .....	1
28	1014109	Bolt, Carriage, #10-24 x 1 .....	2
29	1016175	Washer, Lock, #10 .....	2
30	1017	Nut, Hex, #10-24 .....	2
31	101949201	Shim, Wiper Switch .....	1
32	1028	Nut, Hex, 1/4-20 .....	13
33	451	Washer, Lock, 1/4 .....	9

12

E

12

E

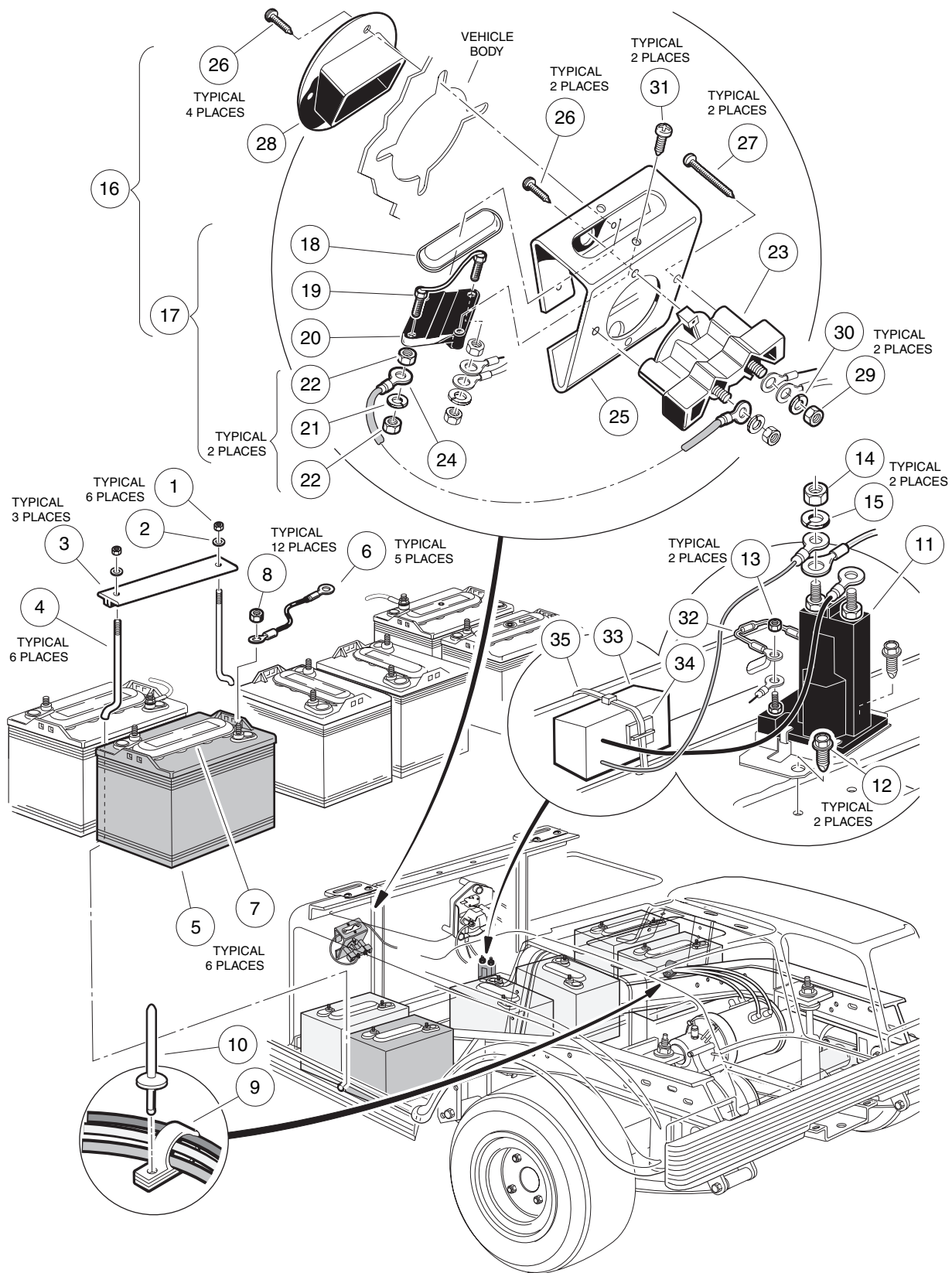


# RESISTOR AND BOARD ASSEMBLY – V-GLIDE 36-VOLT VEHICLE

ITEM	PART NO.	DESCRIPTION	QTY
		1 2 3 4	
1	1028	Nut, Hex, 1/4-20 .....	12
2	451	Washer, Lock, 1/4 .....	12
3	1011931	Washer, Flat, 1/4 .....	6
4	1014045	Stand-Off, Resistor Coil .....	6
5	1014728	Board, Resistor Mounting .....	1
6	332	Washer, Flat, 1/4 .....	6
7	1014476	Coil, Resistor, 5th Speed, .182 Inch Wire Diameter, 3-Coil .....	1
8	1014012	Coil, Resistor, 4th Speed, .162 Inch Wire Diameter, 3-Coil .....	1
9	1014013	Coil, Resistor, 3rd Speed, .144 Inch Wire Diameter, 3-Coil .....	1
10	1014014	Coil, Resistor, 2nd Speed, .128 Inch Wire Diameter, 4-Coil .....	1
11	1014729	Coil, Resistor, 1st Speed, .128 Inch Wire Diameter, 6-Coil .....	1
12	1012285	Screw, Hex, Type TT, 1/4-20 x 5/8 .....	4
13	1013971	Shield, Resistor .....	1

12

E

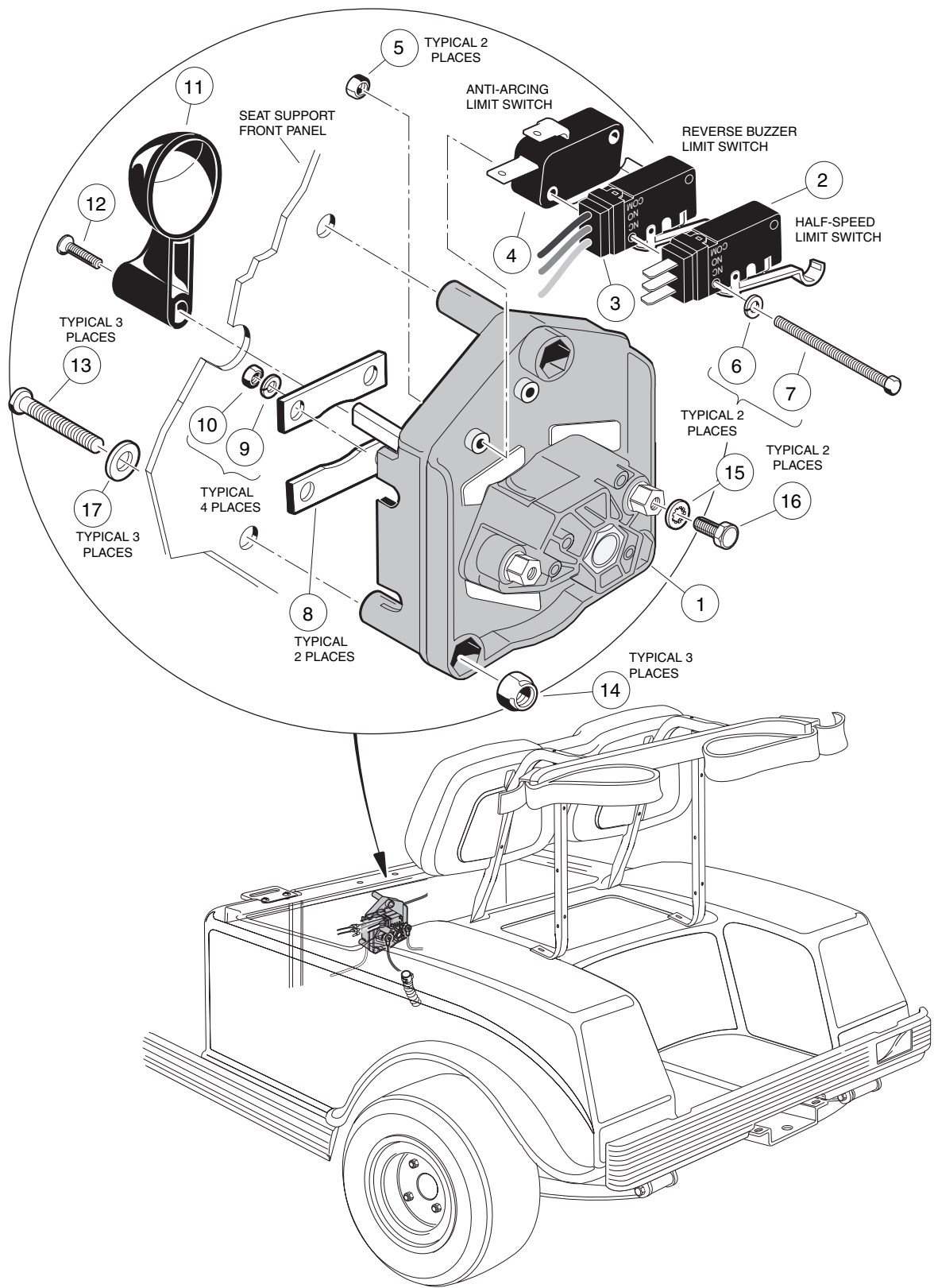


# BATTERIES, CHARGER RECEPTACLE, SOLENOID – V-GLIDE 36-VOLT VEHICLE

ITEM	PART NO.	DESCRIPTION	QTY
		1 2 3 4	
1	1015072	Nut, Nylon Lock, Stainless Steel, 5/6-18 .....	6
2	1011578	Washer, Flat, Type B Wide, 5/16 .....	6
3	101090801	Hold-Down, Battery .....	3
4	1013683	J-Bolt .....	6
5	101661601	Battery, 6-Volt .....	6
5	101661602	Battery, 6-Volt, Dry .....	6
6	1010958	Wire Assembly, #6 Black .....	5
7	101831401	Cap, 6-Volt Battery .....	6
8	1014304	Nut, Hex, Stainless Steel, 5/6-18 .....	12
9	1012022	Clamp, Cable .....	2
10	1606	Rivet, Pop, 3/16 .....	2
11	101975901	Solenoid, 36-Volt .....	1
12	1012285	Screw, Hex, Type TT, 1/4-20 x 5/8 .....	2
13	7893	Nut, Hex, #10-32 .....	2
14	1010521	Nut, Hex, 5/16-24 .....	2
15	7174	Washer, Lock, 5/16 .....	2
16	101342501	Kit, Fuse and Receptacle (includes items 17 - 31) .....	1
17	1014516	Kit, Fuse (includes items 18 - 22) .....	1
18	N/A	Lens, Fuse .....	1
19	N/A	Fuse, 80-Amp .....	1
20	N/A	Holder, Fuse .....	1
21	1016	Washer, Lock, #10 .....	2
22	8797	Nut, Brass, #10-32 .....	4
23	4107	Receptacle, Charger, 2-Prong .....	1
24	1013092	Wire Assembly, #10 Red .....	1
25	1013628	Bracket, Fuse and Receptacle Mounting .....	1
26	8796	Screw, Phillips Pan-Head Self-Tapping, #7-19 x 3/4 .....	6
27	8795	Screw, Phillips Pan-Head Self-Tapping, #7-19 x 1-3/4 .....	2
28	1013649	Bezel, Charger Receptacle .....	1
29	8797	Nut, Brass, #10-32 .....	2
30	1016	Washer, Lock, #10 .....	2
31	1013266	Screw, Phillips Pan-Head Self-Tapping, #8-18 x 1/2 .....	2
32	1014948	Diode .....	1
33	102047201	Snubber .....	1
34	102048301	Base, Mounting .....	1
35	8639	Tie, Wire .....	1

12

E



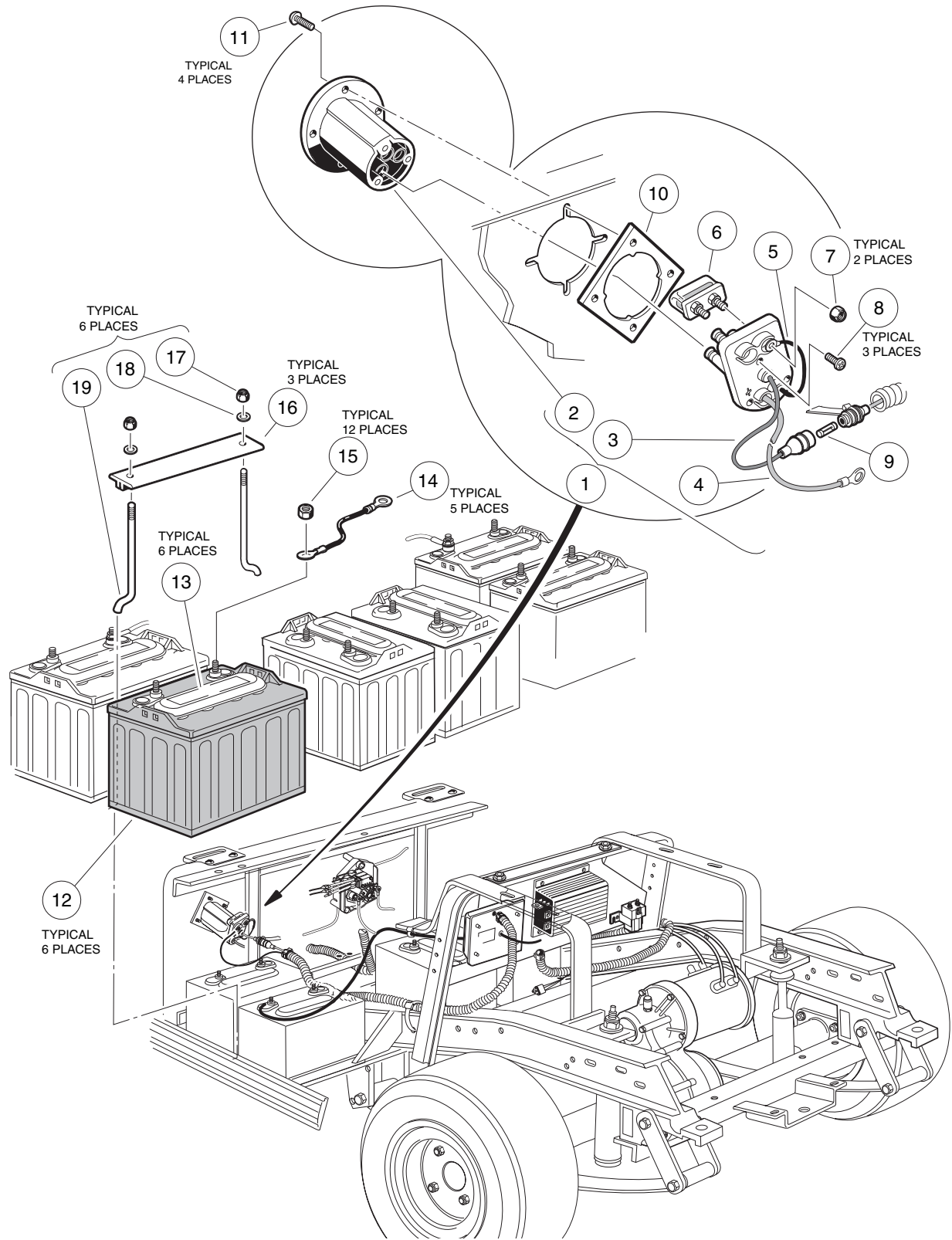


# FORWARD/REVERSE SWITCH – POWERDRIVE SYSTEM 48 VEHICLE

ITEM	PART NO.	DESCRIPTION	QTY
		1 2 3 4	
1	101753005	Assembly, Forward/Reverse Switch (includes items 2 - 10) .....	1
2	102250201	Switch, Limit, Sealed .....	1
3	101979101	Switch, Limit, Sealed .....	1
4	1014808	Switch, Limit .....	1
5	8057	Nut, Hex, #4-40 .....	2
6	8058	Washer, Lock, #4 .....	2
7	1014871	Screw, Hex Washer-Head, #4-40 x 2 .....	2
8	1017799	Bar, Bus .....	2
9	451	Washer, Lock, 1/4 .....	4
10	1028	Nut, Hex, 1/4-20 .....	4
11	1012987	Handle, Forward/Reverse Switch .....	1
12	1015064	Screw, Phillips Oval Countersunk, Machine, SS, #8-32 x 5/8 .....	1
13	1016845	Screw, Phillips Truss-Head, 1/4-20 x 2-1/8 .....	3
14	8233	Nut, Nylon Lock, 1/4-20 .....	3
15	8049	Washer, Internal Tooth Lock, #10 .....	2
16	8450	Screw, Hex-Head Machine, #10-24 x 1/2 .....	2
17	1014528	Washer, Plastic, 1/4 .....	3

12

E

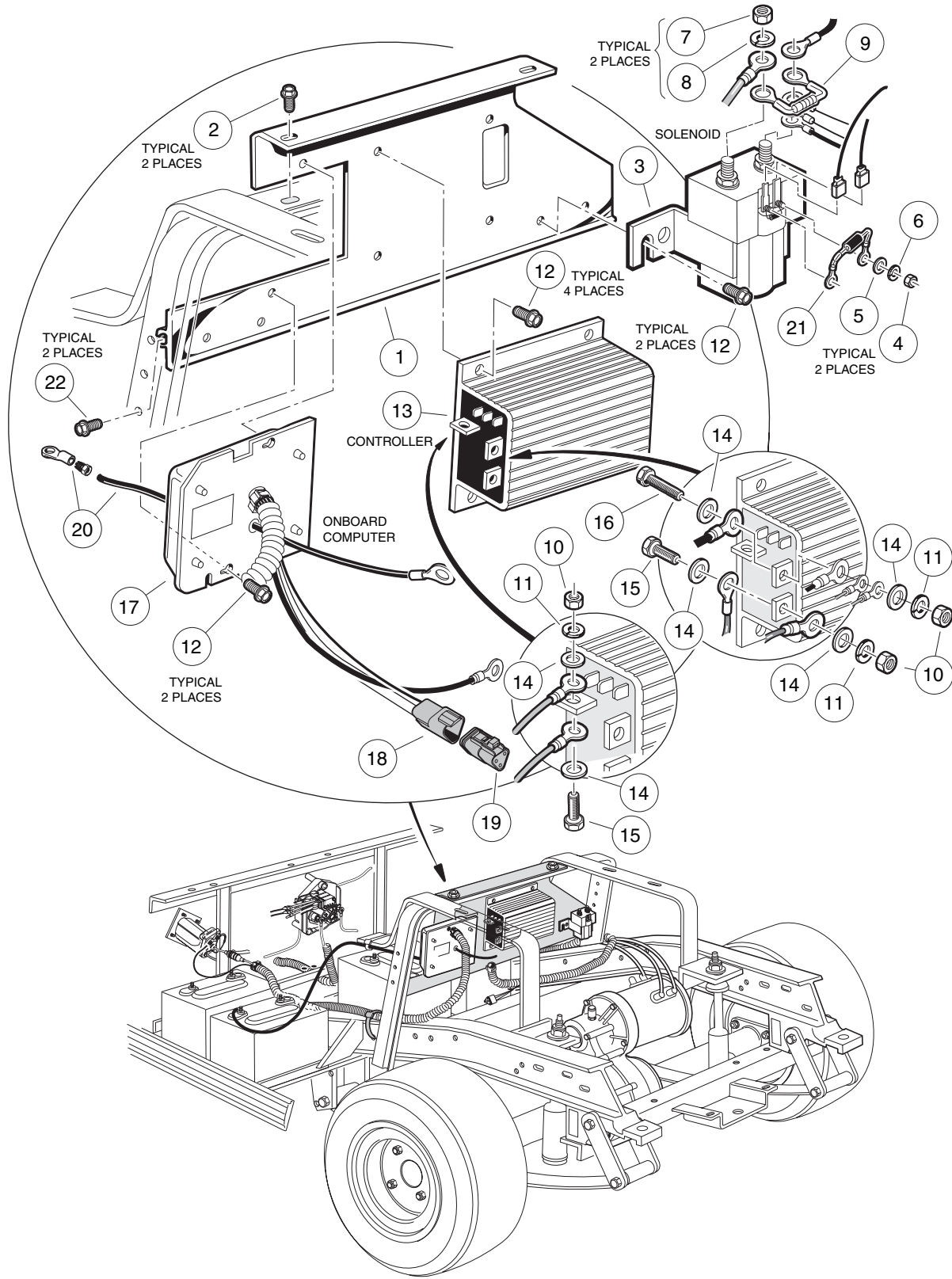


# BATTERIES, CHARGER RECEPTACLE – POWERDRIVE SYSTEM 48 VEHICLE

ITEM	PART NO.	DESCRIPTION	QTY
		1 2 3 4	
1	101802101	Kit, Fuse and Receptacle (includes items 2 - 9) .....	1
2	101796501	Bezel, Receptacle .....	1
3	N/A	Wire Assembly, Sense Lead, Gray .....	1
4	N/A	Wire Assembly, #10 Red .....	1
5	N/A	Wire Assembly, #10 Black .....	1
6	101796801	Assembly, Fuse, 48-Volt (includes item 7) .....	1
7	1013061	Nut, Nylon Lock, #10 .....	2
8	1017705	Screw, Phillips Pan-Head, #8 Type AB .....	3
9	101894901	Fuse, 3/8-Amp .....	1
10	101801001	Plate, Receptacle Backing .....	1
11	101832001	Screw, Phillips Pan-Head, #7-18 x 3/4 .....	4
12	101797701	Battery, 8-Volt PowerDrive (includes item 13) .....	6
12	101797702	Battery, 8-Volt PowerDrive, Dry (includes item 13) .....	6
13	101797801	Cap, Battery, 4-Port Gang .....	1
14	101795701	Wire Assembly, #6 Black .....	5
15	1014304	Nut, Hex, Stainless Steel, 5/16-18 .....	12
16	101090801	Hold-Down, Battery .....	3
17	1015072	Nut, Nylon Lock, Stainless Steel, 5/16-18 .....	6
18	1011578	Washer, Flat, Type B Wide, 5/16 .....	6
19	1013683	J-Bolt .....	6

12

E

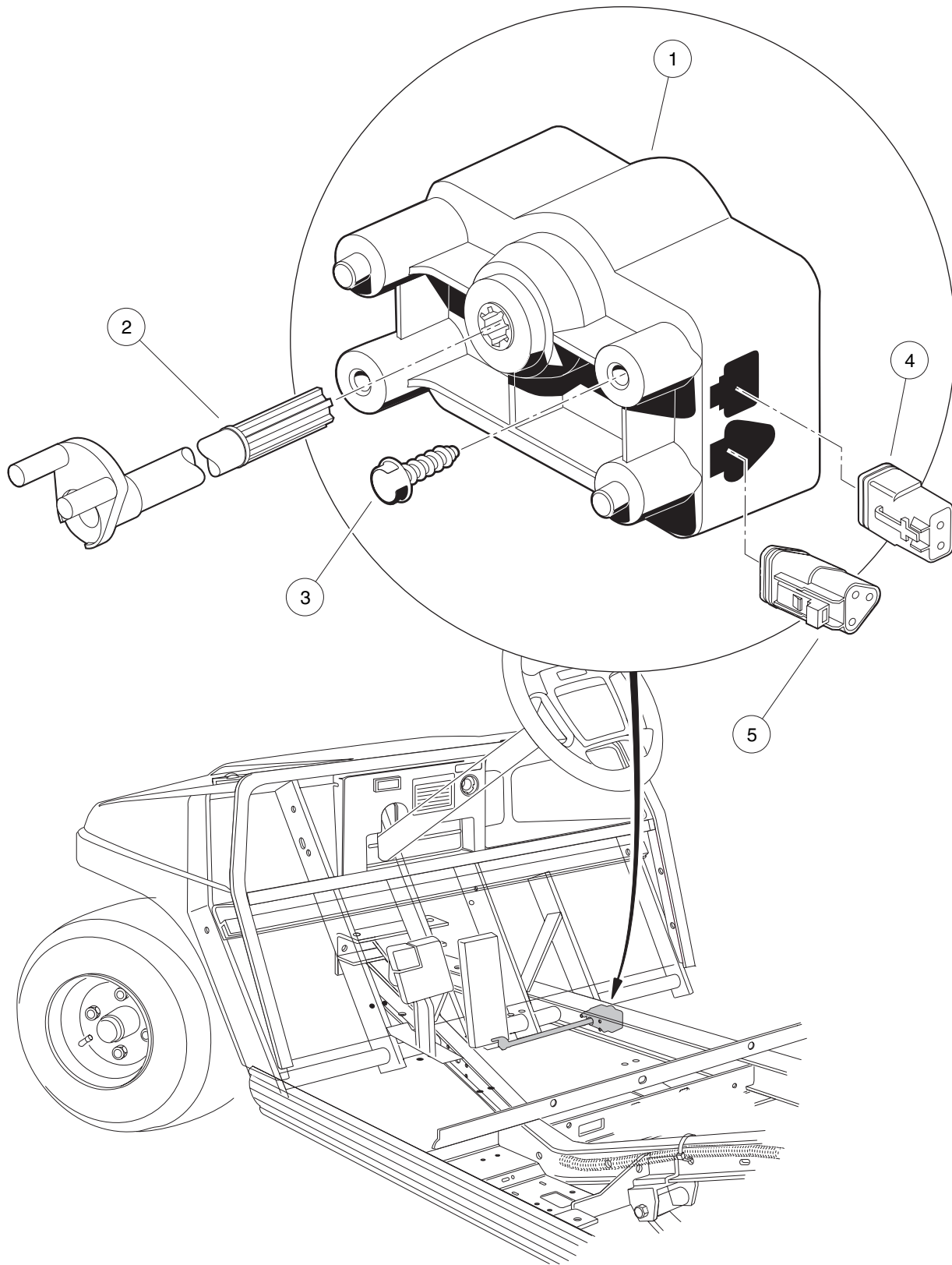


# COMPUTER, CONTROLLER, AND SOLENOID – POWERDRIVE SYSTEM 48 VEHICLE

ITEM	PART NO.	DESCRIPTION	QTY
		1 2 3 4	
1	101965201	Plate, Component Mounting .....	1
2	1014288	Screw, Thread-Forming, 5/16-18 x 3/4 .....	2
3	101908701	Solenoid, 48-Volt (with diode) (includes items 4 - 8) .....	1
4	1011558	Nut, Hex, #6-32 .....	2
5	N/A	Washer, Flat .....	2
6	N/A	Washer, Lock .....	2
7	1012528	Nut, Hex, M8 .....	2
8	7174	Washer, Lock, 5/16 .....	2
9	1014947	Assembly, Resistor .....	1
10	1242	Nut, Hex, 5/16-18 .....	3
11	7174	Washer, Lock, 5/16 .....	3
12	1012285	Screw, Hex, Type TT, 1/4-20 x 5/8 .....	8
13	101840201	Controller, 48-Volt (225-amp) .....	1
14	1241	Washer, Flat, 5/16 .....	6
15	7173	Screw, Hex-Head Cap, 5/16-18 x 3/4 .....	2
16	1218	Screw, Hex-Head Cap, 5/16-18 x 1-1/4 .....	1
17	101909901	Computer, Onboard (includes item 18) .....	1
18	101942301	Kit, 3-Pin Receptacle .....	1
19	101920101	Kit, 3-Pin Plug and Wedge Lock .....	1
20	101827801	Kit, Wire and Terminal, #6 Black .....	1
21	1014948	Assembly, Diode (Service Part replacement for existing diode that comes standard with solenoid) .....	1
22	101910401	Screw, Thread-Forming, 5/16-18 x 1-1/4 .....	2

12

E

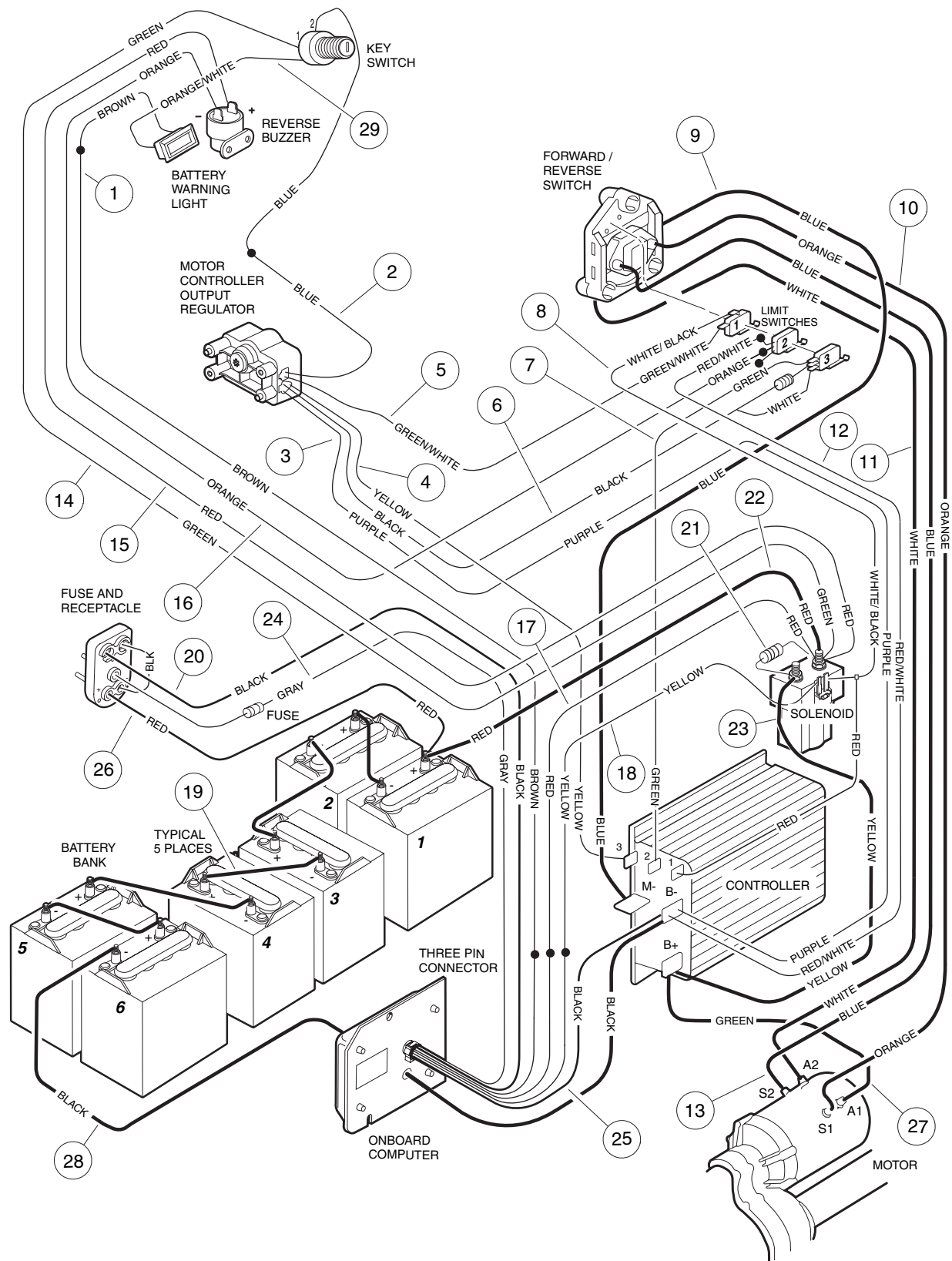


# MOTOR CONTROLLER OUTPUT REGULATOR (MCOR)

ITEM	PART NO.	DESCRIPTION	QTY
		1 2 3 4	
1	102101101	Regulator, Motor Controller Output (MCOR) .....	1
2	102101001	Bar, Drive .....	1
3	1015752	Screw, Hex Washer-Head Hi-Lo, #12-16 x 5/8 .....	2
4	101936801	Kit, 2-Pin Plug and Wedge Lock .....	1
5	101920101	Kit, 3-Pin Plug and Wedge Lock .....	1

12

E



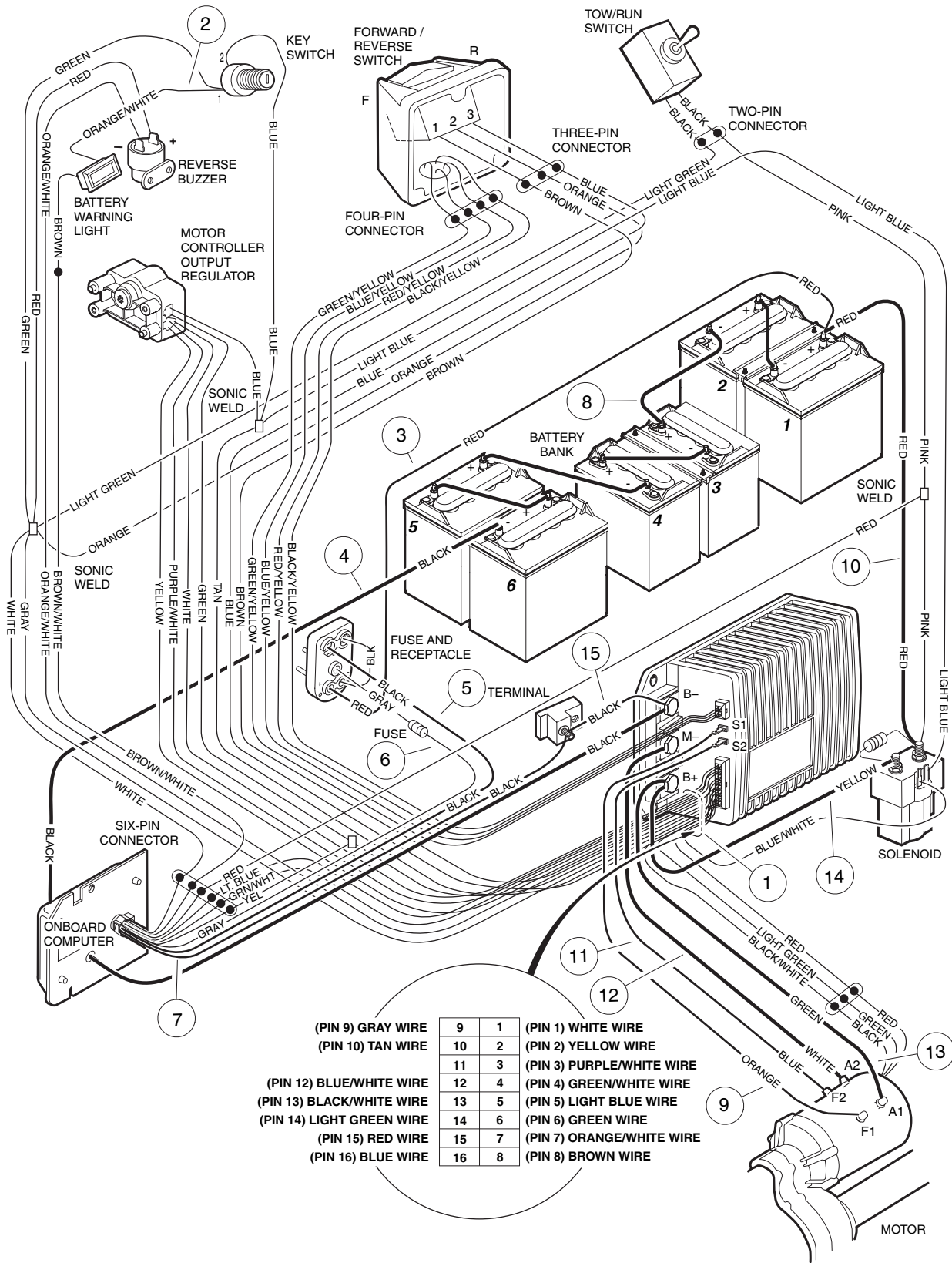


# WIRING – POWERDRIVE SYSTEM 48 VEHICLE

ITEM	PART NO.	DESCRIPTION	QTY
		1 2 3 4	
	102162101	Wire Harness (includes items 1 - 18) .....	1
1	N/A	Wire Assembly, #18 Brown .....	1
2	N/A	Wire Assembly, #18 Blue .....	1
3	N/A	Wire Assembly, #18 Purple .....	1
4	N/A	Wire Assembly, #18 Yellow .....	1
5	N/A	Wire Assembly, #18 Green/White .....	1
6	101883002	Wire Assembly, #18 Black (includes resistor and #18 white wire) .....	1
7	N/A	Wire Assembly, #18 Green .....	1
8	N/A	Wire Assembly, #18 White/Black and #18 Red .....	1
9	101901401	Wire Assembly, #6 Blue .....	1
10	101901201	Wire Assembly, #6 Orange .....	1
11	101901501	Wire Assembly, #6 White .....	1
12	N/A	Wire Assembly, #18 Red/White .....	1
13	101901301	Wire Assembly, #6 Blue .....	1
14	N/A	Wire Assembly, #18 Green .....	1
15	N/A	Wire Assembly, #18 Red .....	1
16	N/A	Wire Assembly, #18 Orange .....	1
17	N/A	Wire Assembly, #18 Red .....	1
18	N/A	Wire Assembly, #18 Yellow .....	1
19	101795701	Wire Assembly, #6 Black .....	5
20	N/A	Wire Assembly, #10 Black (part of onboard computer assembly) .....	1
21	1014947	Assembly, Resistor .....	1
22	101902801	Wire Assembly, #6 Red .....	1
23	101903001	Wire Assembly, #6 Yellow .....	1
24	N/A	Wire Assembly, #18 Gray (part of onboard computer assembly) .....	1
25	N/A	Wire Assembly, #10 Black (part of onboard computer assembly) .....	1
26	N/A	Wire Assembly, #10 Red (part of fuse and receptacle assembly) .....	1
27	101902901	Wire Assembly, #6 Green .....	1
28	N/A	Wire Assembly, #6 Black (part of onboard computer assembly) .....	1
29	N/A	Wire Assembly, #18 Orange/White (part of battery warning light) .....	1

12

E

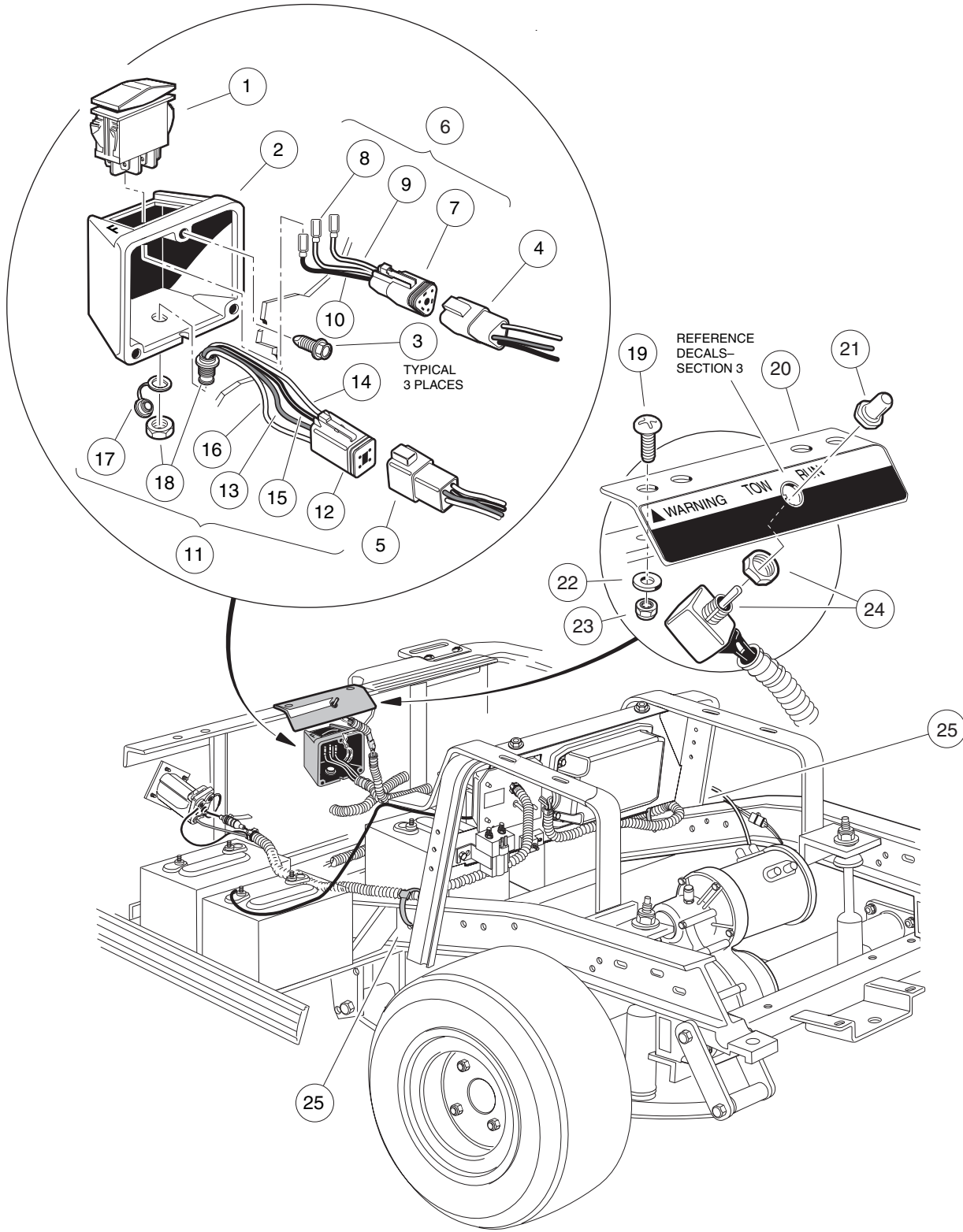


# WIRING – IQ SYSTEM VEHICLE WITH MOTOR CONTROLLER OUTPUT REGULATOR (MCOR)

ITEM	PART NO.	DESCRIPTION	QTY
		1 2 3 4	
1	102196601	Wire Harness .....	1
2	N/A	Wire Assembly, #18 Orange/White (part of battery warning light) .....	1
3	N/A	Wire Assembly, #10 Red (part of fuse and receptacle assembly) .....	1
4	N/A	Wire Assembly, #6 Black .....	1
5	N/A	Wire Assembly, #10 Black (part of onboard computer assembly) .....	1
6	N/A	Wire Assembly, #18 Gray (part of onboard computer assembly) .....	1
7	N/A	Wire Assembly, #10 Black (part of onboard computer assembly) .....	1
8	101795701	Wire Assembly, #6 Black .....	5
9	101978101	Wire Assembly, #10 Orange .....	1
10	102199601	Wire Assembly, #6 Red .....	1
11	101978201	Wire Assembly, #10 Blue .....	1
12	101968701	Wire Assembly, #6 White .....	2
13	101978001	Wire Assembly, #6 Green .....	1
14	101920001	Wire Assembly, #6 Yellow .....	1
15	102263601	Wire, Assembly, #10 Black .....	1

12

E

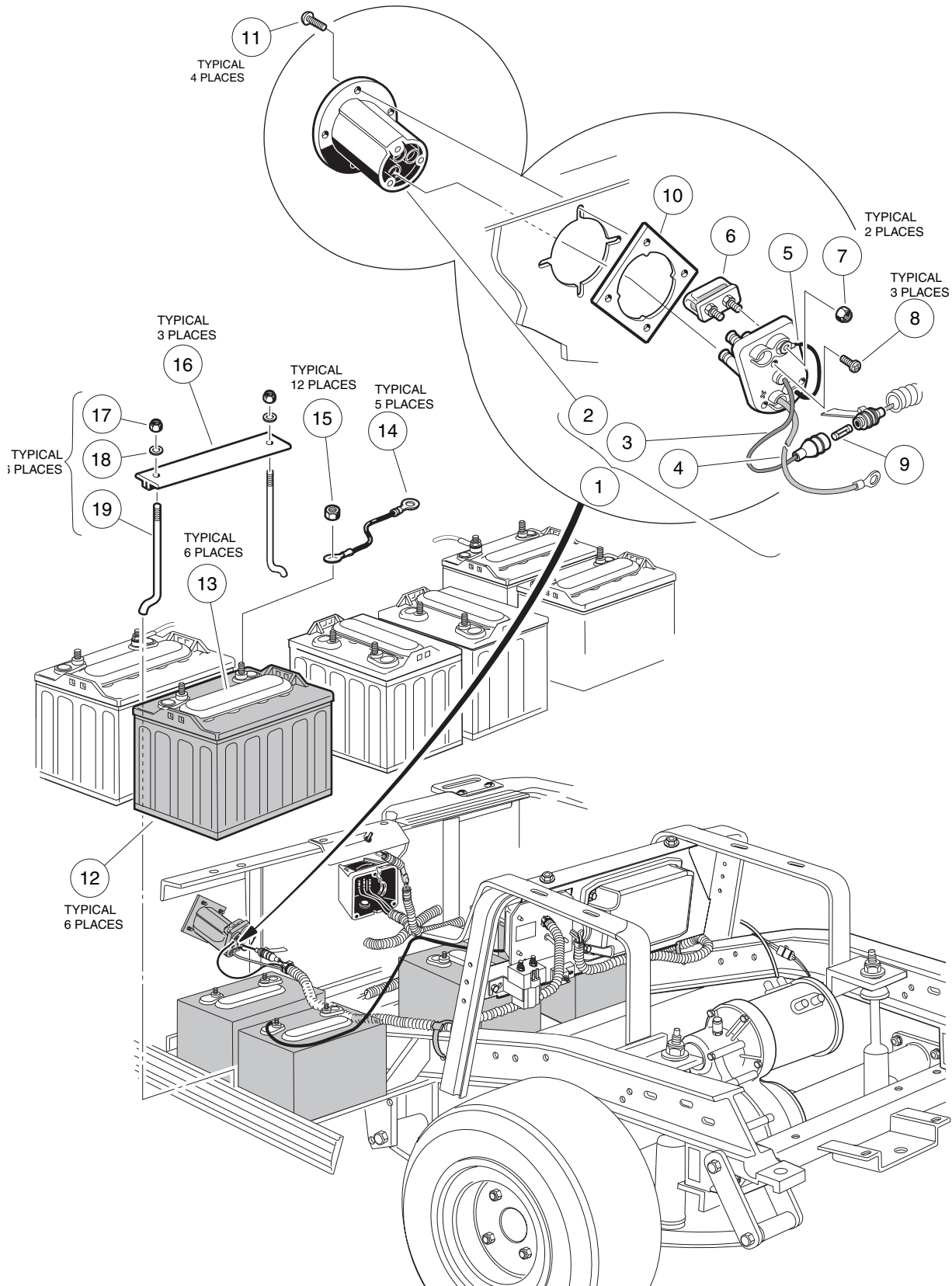


# FORWARD/REVERSE SWITCH, TOW/RUN SWITCH – IQ SYSTEM VEHICLE

ITEM	PART NO.	DESCRIPTION	QTY
		1 2 3 4	
1	101856001	Switch, Forward/Reverse .....	1
2	101855002	Case, Forward/Reverse Switch .....	1
3	1012285	Screw, Hex, Type TT, 1/4-20 x 5/8 .....	3
4	101942301	Kit, 3-Pin Receptacle and Wedge Lock .....	1
5	101932401	Kit, 4-Pin Receptacle and Wedge Lock .....	1
6	102266601	Wire Assembly, Forward/Reverse Switch (includes items 7 - 10) .....	1
7	101920101	Kit, 3-Pin Plug and Wedge Lock .....	1
8	N/A	Wire Assembly, #18 Blue .....	1
9	N/A	Wire Assembly, #18 Orange .....	1
10	N/A	Wire Assembly, #18 Brown .....	1
11	102266701	Wire Assembly, IQDM Port (includes items 12 - 18) .....	1
12	101932501	Kit, 4-Pin Plug and Wedge Lock .....	1
13	N/A	Wire Assembly, #18 Red/Yellow .....	1
14	N/A	Wire Assembly, #18 Black/Yellow .....	1
15	N/A	Wire Assembly, #18 Blue/Yellow .....	1
16	N/A	Wire Assembly, #18 Green/Yellow .....	1
17	N/A	Cap, Dust .....	1
18	N/A	Connector, 4-Pin .....	1
19	8248	Screw, Phillips Truss-Head, 1/4-20 x 3/4 .....	2
20	101922501	Bracket, Tow/Run Switch (without decal) .....	1
21	101908401	Boot, Tow/Run Switch (with nut) .....	1
22	332	Washer, Flat, 1/4 .....	2
23	8233	Nut, Nylon Lock, 1/4-20 .....	2
24	101908101	Switch, Tow/Run .....	1
25	8990	Tie, Wire .....	A/R

12

E

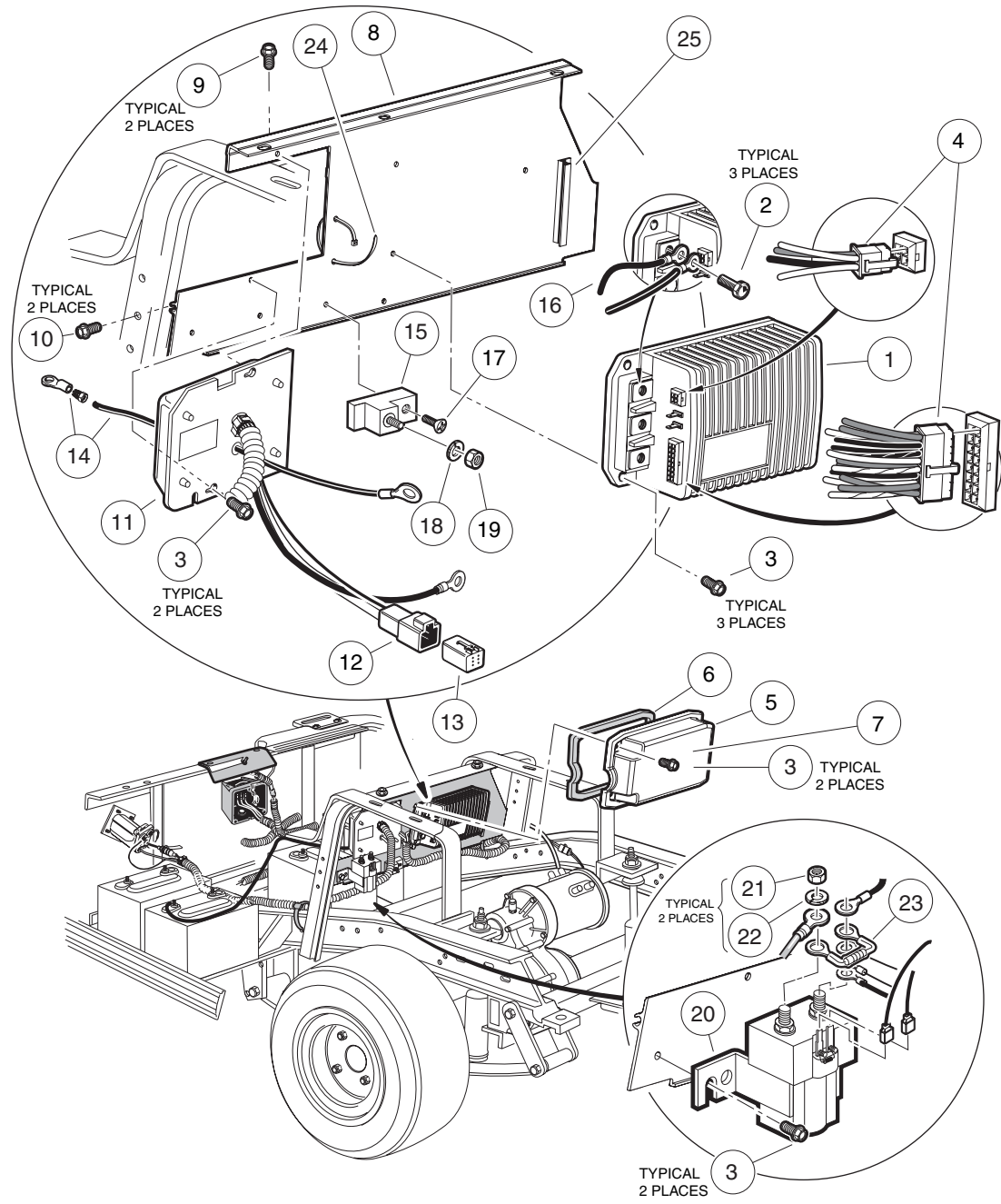


# BATTERIES, CHARGER RECEPTACLE – IQ SYSTEM VEHICLE

ITEM	PART NO.	DESCRIPTION	QTY
		1 2 3 4	
1	101802101	Kit, Fuse and Receptacle (includes items 2 - 9) .....	1
2	101796501	Bezel, Receptacle .....	1
3	N/A	Wire Assembly, Sense Lead, Gray .....	1
4	N/A	Wire Assembly, #10 Red .....	1
5	N/A	Wire Assembly, #10 Black .....	1
6	101796801	Assembly, Fuse, 48-Volt (includes item 7) .....	1
7	1013061	Nut, Nylon Lock, #10 .....	2
8	1017705	Screw, Phillips Pan-Head, #8 Type AB .....	3
9	101894901	Fuse, 3/8-Amp .....	1
10	101801001	Plate, Receptacle Backing .....	1
11	101832001	Screw, Phillips Pan-Head, #7-18 x 3/4 .....	4
12	101797701	Battery, 8-Volt PowerDrive (includes item 13) .....	6
12	101797702	Battery, 8-Volt PowerDrive, Dry (includes item 13) .....	6
13	101797801	Cap, Battery, 4-Port Gang .....	1
14	101795701	Wire Assembly, #6 Black .....	5
15	1014304	Nut, Hex, Stainless Steel, 5/16-18 .....	12
16	101090801	Hold-Down, Battery .....	3
17	1015072	Nut, Nylon Lock, Stainless Steel, 5/16-18 .....	6
18	1011578	Washer, Flat, Type B Wide, 5/16 .....	6
19	1013683	J-Bolt .....	6

12

E





# COMPUTER, CONTROLLER, AND SOLENOID – IQ SYSTEM VEHICLE

ITEM	PART NO.	DESCRIPTION	QTY
		1 2 3 4	
1	101956501	Controller, 48-Volt (250-amp) .....	1
1	101956502	Controller, 48-Volt (250-amp) (customized programming) .....	1
2	102240501	Screw, Hex Washer-Head, M8 x 1-1/4 x 12 mm .....	3
3	1012285	Screw, Hex, Type TT, 1/4-20 x 5/8 .....	9
4	102266501	Kit, Connector, IQ Controller .....	1
5	102240601	Cover, Controller (includes items 6 and 7) .....	1
6	102240801	Gasket, Controller .....	1
7	101931501	Decal, Electrical Component Cover .....	1
8	101965202	Plate, Component Mounting .....	1
9	1014288	Screw, Thread-Forming, 5/16-18 x 3/4 .....	2
10	101910401	Screw, Thread-Forming, 5/16-18 x 1-1/4 .....	2
11	101909902	Computer, Onboard (includes item 12) .....	1
12	101932601	Kit, 6-Pin Receptacle .....	1
13	101932701	Kit, 6-Pin Plug and Wedge Lock .....	1
14	101827801	Kit, Wire and Terminal, #6 Black .....	1
15	102259801	Block, Terminal (controller) .....	1
16	102263601	Wire Assembly, #10 Black .....	1
17	102263701	Screw, Phillips, Thread-Forming, #10-24 x 3/4 .....	1
18	7174	Washer, Lock, 5/16 .....	1
19	1242	Nut, Hex, 5/16-18 .....	1
20	101908701	Solenoid, 48-Volt (with diode) (includes items 21 and 22) .....	1
21	1012528	Nut, M8 x 1-1/4 .....	2
22	1013734	Washer, Lock, 8 mm .....	2
23	1014947	Assembly, Resistor .....	1
24	8639	Tie, Wire .....	1
25	****	Z-Bracket, Controller Cover .....	1
	****	Special order item available upon request.	

12

E

12

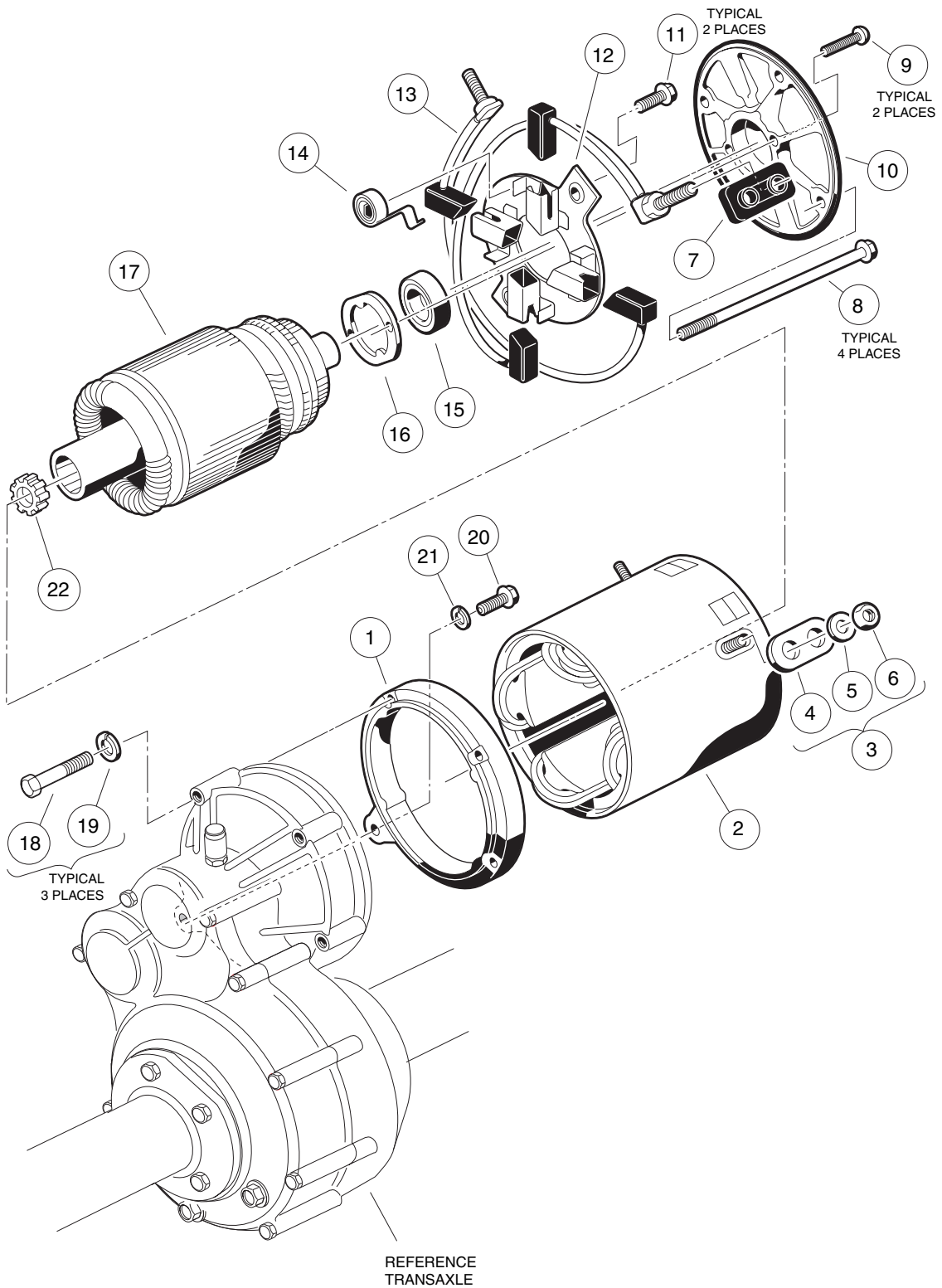
E

# ELECTRIC MOTOR

---

13

E

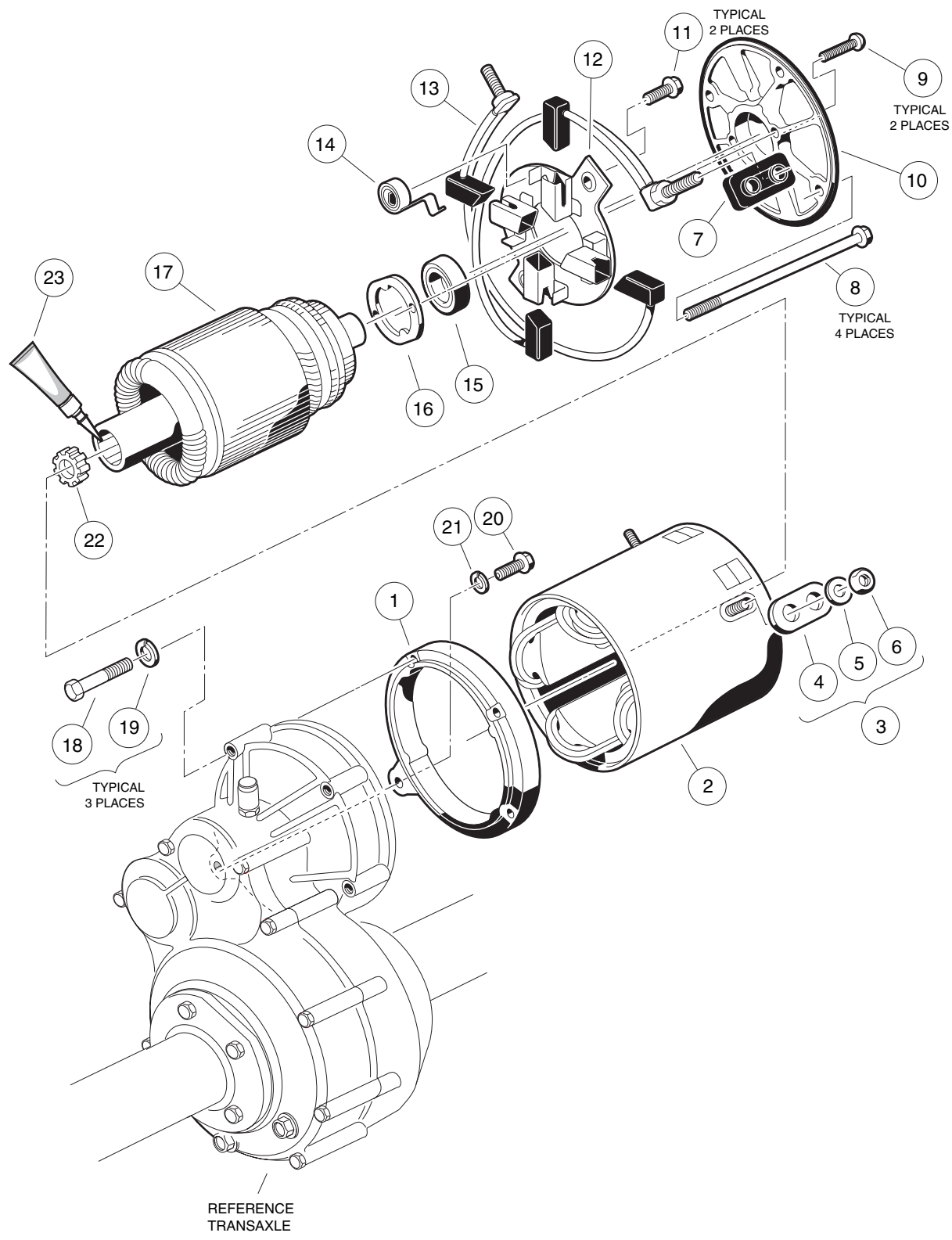


# MOTOR – V-GLIDE 36-VOLT VEHICLE

ITEM	PART NO.	DESCRIPTION	QTY
		1 2 3 4	
	102237401	Assembly, 36-Volt Motor, 2.97-hp (includes items 1 - 17) .....	1
1	1017944	Shield, End .....	1
2	1017945	Assembly, Stator Shell and Winding .....	1
3	1017947	Package, Hardware (includes items 4 - 7) .....	1
4	N/A	Bushing, Insulator .....	2
5	N/A	Washer, Flat, 5/16 .....	4
6	N/A	Nut, Hex, 5/16-18 .....	4
7	N/A	Bushing, Insulator .....	2
8	1017952	Screw, Clamp .....	4
9	1017953	Screw, Bearing Retainer .....	2
10	1017951	Shield, End .....	1
11	1017949	Screw, Brush Holder .....	2
12	1017948	Rigging, Brush .....	1
13	1017946	Package, Brush (2 pieces) (includes 4 brushes) .....	1
14	1011411	Package, Brush Spring (4 pieces) .....	1
15	1011290	Bearing, Ball .....	1
16	1017950	Retainer, Bearing .....	1
17	N/A	Armature .....	1
18	1014201	Screw, Hex-Head Cap, 1/4-20 x 2-1/4 .....	3
19	451	Washer, Lock, 1/4 .....	3
20	1010934	Screw, Hex-Head Cap, 5/16-18 x 1 .....	1
21	7174	Washer, Lock, 5/16 .....	1
22	102235201	Bumper, Motor .....	1

13

E

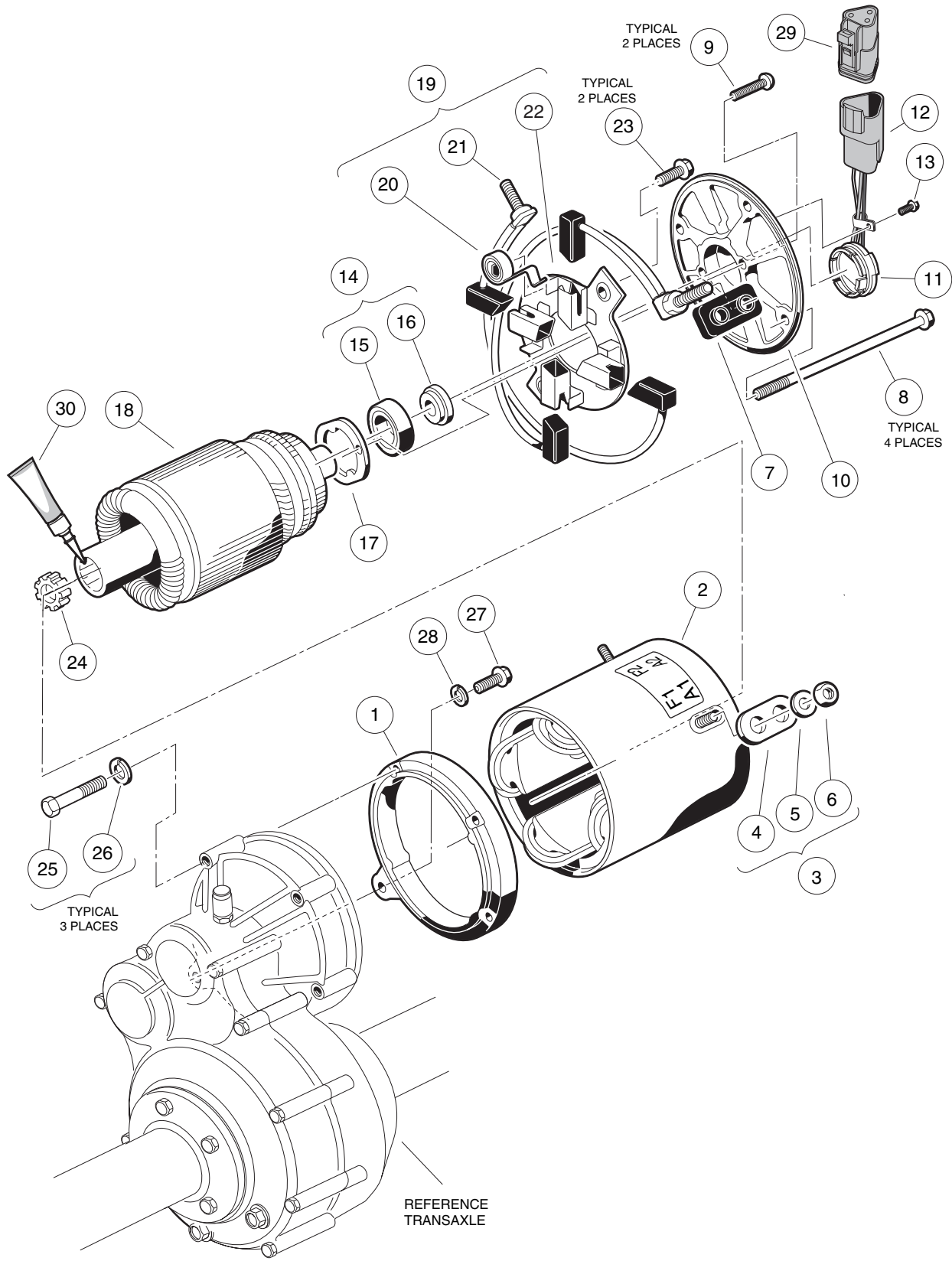


# MOTOR – POWERDRIVE SYSTEM 48 VEHICLE

ITEM	PART NO.	DESCRIPTION	QTY
		1 2 3 4	
	102237701	Assembly, 48-Volt Motor, 3.10-hp (includes items 1 - 17) .....	1
1	1017944	Shield, End .....	1
2	1017958	Assembly, Stator Shell and Winding .....	1
3	1017947	Package, Hardware (includes items 4 - 7) .....	1
4	N/A	Bushing, Insulator .....	2
5	N/A	Washer, Flat, 5/16 .....	4
6	N/A	Nut, Hex, 5/16-18 .....	4
7	N/A	Bushing, Insulator .....	2
8	1017961	Screw, Clamp .....	4
9	1017953	Screw, Bearing Retainer .....	2
10	1017951	Shield, End .....	1
11	1017949	Screw, Brush Holder .....	2
12	1017948	Rigging, Brush .....	1
13	1017946	Package, Brush (2 pieces) (includes 4 brushes) .....	1
14	1011411	Package, Brush Spring (4 pieces) .....	1
15	1011290	Bearing, Ball .....	1
16	1017950	Retainer, Bearing .....	1
17	N/A	Armature .....	1
18	1014201	Screw, Hex-Head Cap, 1/4-20 x 2-1/4 .....	3
19	451	Washer, Lock, 1/4 .....	3
20	1010934	Screw, Hex-Head Cap, 5/16-18 x 1 .....	1
21	7174	Washer, Lock, 5/16 .....	1
22	102235201	Bumper, Motor .....	1
23	102243403	Lubricant, Moly-Teflon (Single-Use Tube) .....	1

13

E



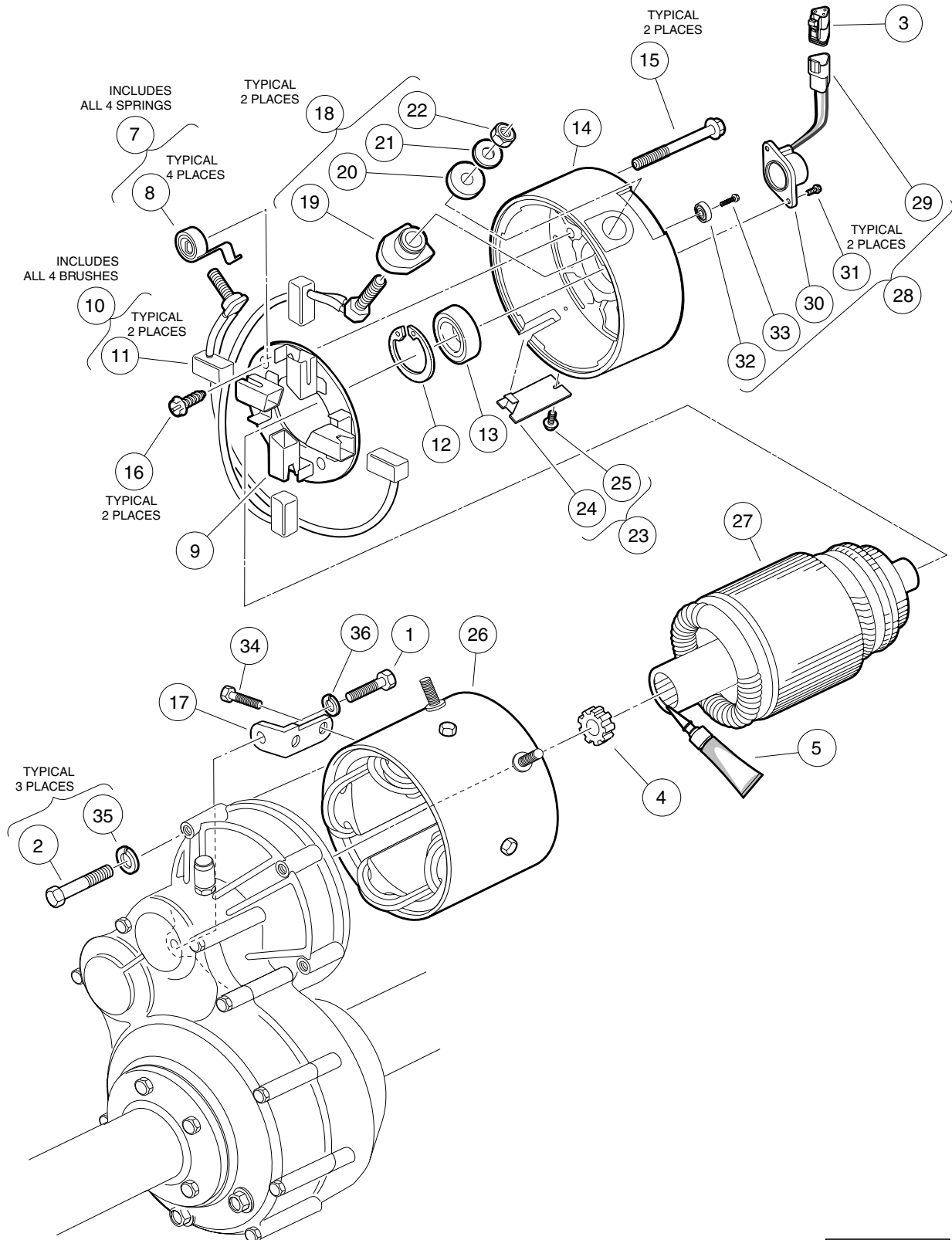


# MOTOR (MODEL 5BC59JBS6365) – IQ SYSTEM VEHICLE

**13**

**E**

ITEM	PART NO.	DESCRIPTION	QTY
		1 2 3 4	
	102240102	Assembly, 48-Volt IQ Motor, 3.20-hp (includes items 1 - 23) .....	1
1	1017944	Shield, End .....	1
2	102265501	Assembly, Stator Shell and Winding .....	1
3	1017947	Package, Hardware (includes items 4 - 7) .....	1
4	N/A	Bushing, Insulator .....	2
5	N/A	Washer, Flat, 5/16 .....	4
6	N/A	Nut, Hex, 5/16-18 .....	4
7	N/A	Bushing, Insulator .....	2
8	102266101	Screw, Clamp, #10-32 x 8-1/4 .....	4
9	1017953	Screw, Bearing Retainer, #8-32 x 7/8 .....	2
	102265901	Assembly, End Shield (includes items 10 - 13) .....	1
10	102266001	Shield, End .....	1
11	102265601	Sensor, Motor Speed (includes item 12) .....	1
12	101942301	Housing, Female 3-Wire, Gray .....	1
13	102267001	Screw, Steel Hex, Thread-Rolling, #8 x 3/8 .....	1
14	102265701	Kit, Bearing and Magnet (includes items 15 and 16) .....	1
15	N/A	Bearing, Ball .....	1
16	N/A	Magnet .....	1
17	1017950	Retainer, Bearing .....	1
18	N/A	Armature .....	1
19	102327801	Assembly, Brush Rigging (includes items 20 - 22) .....	1
20	1011411	Package, Brush Spring (4 pieces) .....	1
21	102251901	Package, Brush (2 pieces) (includes 4 brushes) .....	1
22	1017948	Rigging, Brush .....	1
23	1017949	Screw, Brush Holder, #6-32 x 1/2 .....	2
24	102235201	Bumper, Motor .....	1
25	1014201	Screw, Hex-Head Cap, 1/4-20 x 2-1/4 .....	3
26	451	Washer, Lock, 1/4 .....	3
27	1010934	Screw, Hex-Head Cap, 5/16-18 x 1 .....	1
28	7174	Washer, Lock, 5/16 .....	1
29	101920101	Kit, 3-Pin Plug and Wedge Lock .....	1
30	102243403	Lubricant, Moly-Teflon (Single-Use Tube) .....	1



000185-001

# MOTOR (MODEL EJ4-4001) – IQ SYSTEM VEHICLE

ITEM	PART NO.	DESCRIPTION	QTY
		1 2 3 4	
1	1010934	Screw, 5/16-18 X 1.00 Hex Cap .....	1
2	1014201	Screw, 1/4-20 X 2.25 Hex Cap .....	3
3	101920101	Kit, 3-pin Plug & Wedge Lock .....	1
4	102235201	Bumper, Drive Unit .....	1
5	102243403	Lubricant, Moly-Teflon (Single-Use Tube) .....	1
6	102705001	IQ Electric Motor, 48-VDC 3.3 hp (includes items 7 through 34) .....	1
7	102186001	Spring Kit, Motor Brush (includes item 8) .....	1
8	N/A	Spring, Brush .....	4
9	102186101	Brush Box Assembly .....	1
10	102186201	Brush Kit, Motor (includes item 11) .....	1
11	102845701	Assembly, Brush and Terminal .....	2
12	102186301	Ring, 2.24" Internal Retaining .....	1
13	102186401	Bearing, Ball .....	1
14	102186701	End Cap, Motor .....	1
15	102186801	Screw, 1/4-20 X 2.25 Hx Washer .....	2
16	102186901	Screw, #8-32 X .5 Hx Hd Tptite .....	2
17	102187001	L-Bracket, Motor .....	1
18	102187101	Hardware Kit, Motor Terminal (includes items 19 through 22) .....	2
19	N/A	Bushing, Nylon .....	2
20	N/A	Washer, Nylon Flat .....	2
21	N/A	Washer, Flat, 5/16 Steel .....	2
22	N/A	Nut, Brass Hex, 5/16 - 18 .....	2
23	102187201	Plate Kit, Motor Cover (includes items 24 and 25) .....	1
24	N/A	Assembly, Cover Plate .....	1
25	N/A	Screw, #8-32 x 0.375, Taptite Thread .....	1
26	102704701	Frame & Field Service Asm. ....	1
27	102704801	Armature Service Assembly .....	1
28	102704901	Speed Sensor Service Package (includes items 29 through 33) .....	1
29	101942301	Kit, 3-pin Recept & Wedge Lock .....	1
30	N/A	Sensor, Motor Speed, ADC .....	1
31	N/A	Screw, #8-32, Taptite Thread .....	2
32	N/A	Magnet, ADC Motor .....	1
33	N/A	Screw, 1/4-20 x 0.5 .....	1
34	N/A	Bolt, 1/4 - 20 x 0.73 Thread-Forming .....	2
35	451	Lockwasher, 1/4 Helical Split .....	3
36	7174	Lockwasher, 5/16 Split .....	1

13

E

13

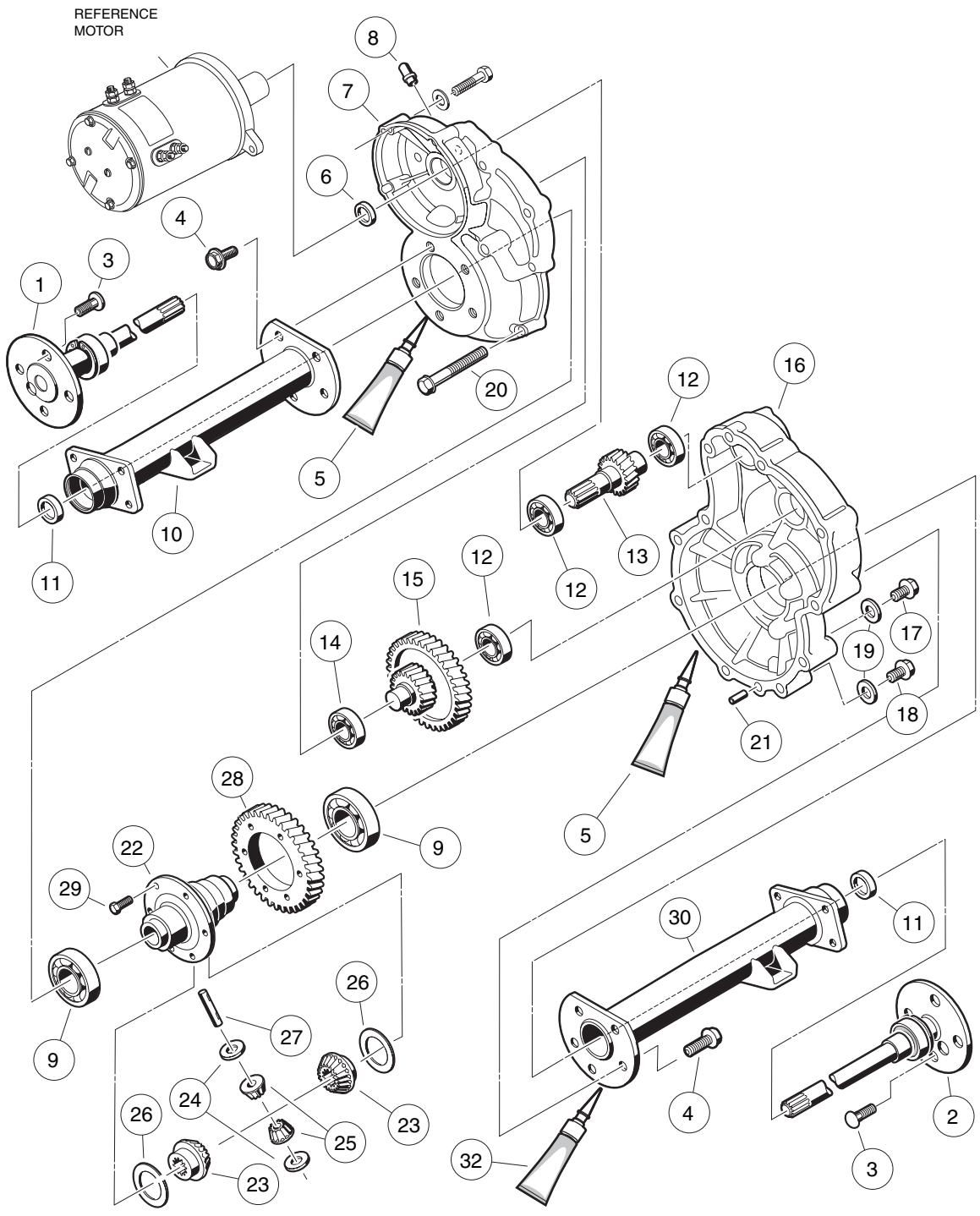
E

# TRANSAXLE – ELECTRIC VEHICLE

---

14

E

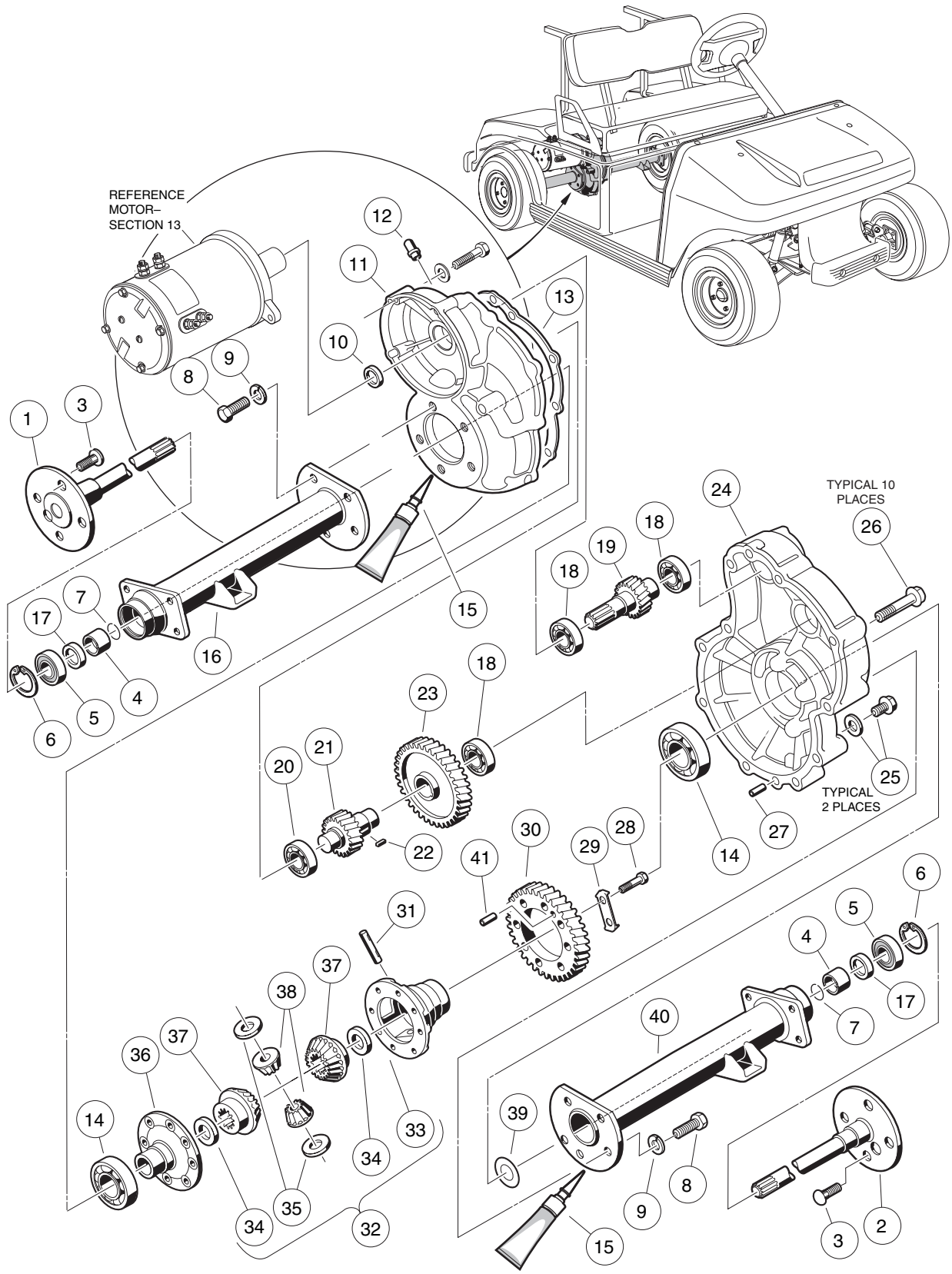


# TRANSAXLE, TYPE G – ELECTRIC VEHICLE

ITEM	PART NO.	DESCRIPTION	QTY
		1 2 3 4	
	101896001	Transaxle, Type G (includes items 1 - 30) .....	1
1	101895801	Axle Assembly, Passenger-Side (includes item 3) .....	1
2	101895901	Axle Assembly, Driver-Side (includes item 3) .....	1
3	101922201	Stud, Lug .....	4
4	102357001	Screw, Flange-Head, M10 x 1.5 x 30 mm .....	10
5	101928701	Gasket, Liquid, 8.8 oz. (250 g) .....	A/R
6	101923501	Seal, Oil, Input Shaft .....	1
7	101895501	Gear Case, Passenger-Side .....	1
8	101897201	Breather .....	1
9	7330	Bearing, Differential .....	2
10	101895601	Assembly, Axle Tube, Passenger-Side .....	1
11	1013794	Seal, Oil, Axle Shaft .....	2
12	7335	Bearing, Input Gear .....	3
13	101923701	Shaft, Input .....	1
14	7336	Bearing, Intermediate Gear .....	1
15	101906901	Assembly, Intermediate Gear .....	1
16	101895401	Gear Case, Driver-Side .....	1
17	101972201	Plug, Fill .....	1
18	101972101	Plug, Magnetic .....	1
19	101923201	Gasket, Plug .....	2
20	101897001	Bolt, M8 x 1.25 x 60 mm .....	11
21	101897601	Pin, Dowel .....	2
22	101923901	Gear, Differential .....	2
23	101903601	Plate, Thrust (idler gear) .....	2
24	101923001	Gear, Differential Idler .....	2
25	101903701	Plate, Thrust .....	2
26	101922101	Pin, Differential .....	1
27	101923601	Housing, Differential * .....	1
28	101906201	Gear, Output * .....	1
29	101897401	Bolt, M10 x 1.5 x 25 mm .....	6
30	101895701	Assembly, Axle Tube, Driver-Side .....	1
		<p>* If you are replacing the Output Gear, P/N 101906201, or Differential Housing, P/N 101923601, you must buy both. They are replacements for all gear and differential housing combinations in G type transaxles. (No pin required).</p>	

14

E





# TRANSAXLE, TYPE K – ELECTRIC VEHICLE

14

E

ITEM	PART NO.	DESCRIPTION	QTY
		1 2 3 4	
	N/A	Transaxle, Type K (includes items 1 - 41) .....	1
1	1013785	Axle Assembly, Passenger-Side (includes items 3 - 7) .....	1
2	1013786	Axle Assembly, Driver-Side (includes items 3 - 7) .....	1
3	1013787	Stud, Lug .....	4
4	1014207	Bushing, 25 mm I. D. ....	1
5	1011291	Bearing, Outer Axle Tube .....	1
6	1013792	Circlip, Type C .....	1
7	1016672	Ring, Retaining .....	1
8	1013790	Bolt, M10 x 1.5 x 30 mm .....	10
9	1013791	Washer, Lock .....	10
10	1013775	Seal, Input Shaft Oil .....	1
11	1013756	Gear Case, Passenger-Side .....	1
12	1012711	Breather .....	1
13	1013758	Gasket, Case .....	1
14	7330	Bearing, Inner Axle Tube .....	2
15	101928701	Gasket, Liquid, 8.8 oz. (250 g) .....	2
16	1017704	Assembly, Axle Tube, Passenger-Side .....	1
17	1013794	Seal, Axle Shaft Oil .....	2
18	7335	Bearing, Input Gear .....	3
19	1013764	Shaft, Input .....	1
20	7336	Bearing, Intermediate Gear .....	1
21	1013766	Gear, Intermediate, Small .....	1
22	1013780	Key, Sunk .....	1
23	1013765	Gear, Intermediate, Large .....	1
24	1013757	Gear Case, Driver-Side .....	1
25	1013759	Plug, Fill, with Gasket .....	2
26	1013763	Bolt, M6 x 1 x 50 mm .....	10
27	1012710	Pin, Dowel .....	2
28	1013779	Bolt, M8 x 1.25 x 37 mm .....	8
29	1013782	Plate, Lock .....	4
30	1013767	Gear, Output .....	1
31	1013772	Pin, Differential .....	1
32	101910501	Kit, Differential Gear Case (includes items 33 - 36) .....	1
33	1013768	Gear Case, Differential (driver side) .....	1
34	1013773	Plate, Thrust (differential gear) .....	2
35	1013774	Plate, Thrust (idler gear) .....	2
36	1013769	Gear Case, Differential (passenger side) .....	1
37	1013771	Gear, Differential .....	2
38	1013770	Gear, Differential Idler .....	2
39	1013781	Shim .....	1
40	1017703	Assembly, Axle Tube, Driver-Side .....	1
41	1014193	Pin, Dowel .....	1
<p>Note: Transaxle type is identified by orientation of gear case bolts (item 26). The Type K Transaxle has gear case bolt heads facing toward the driver side of the vehicle.</p>			

14

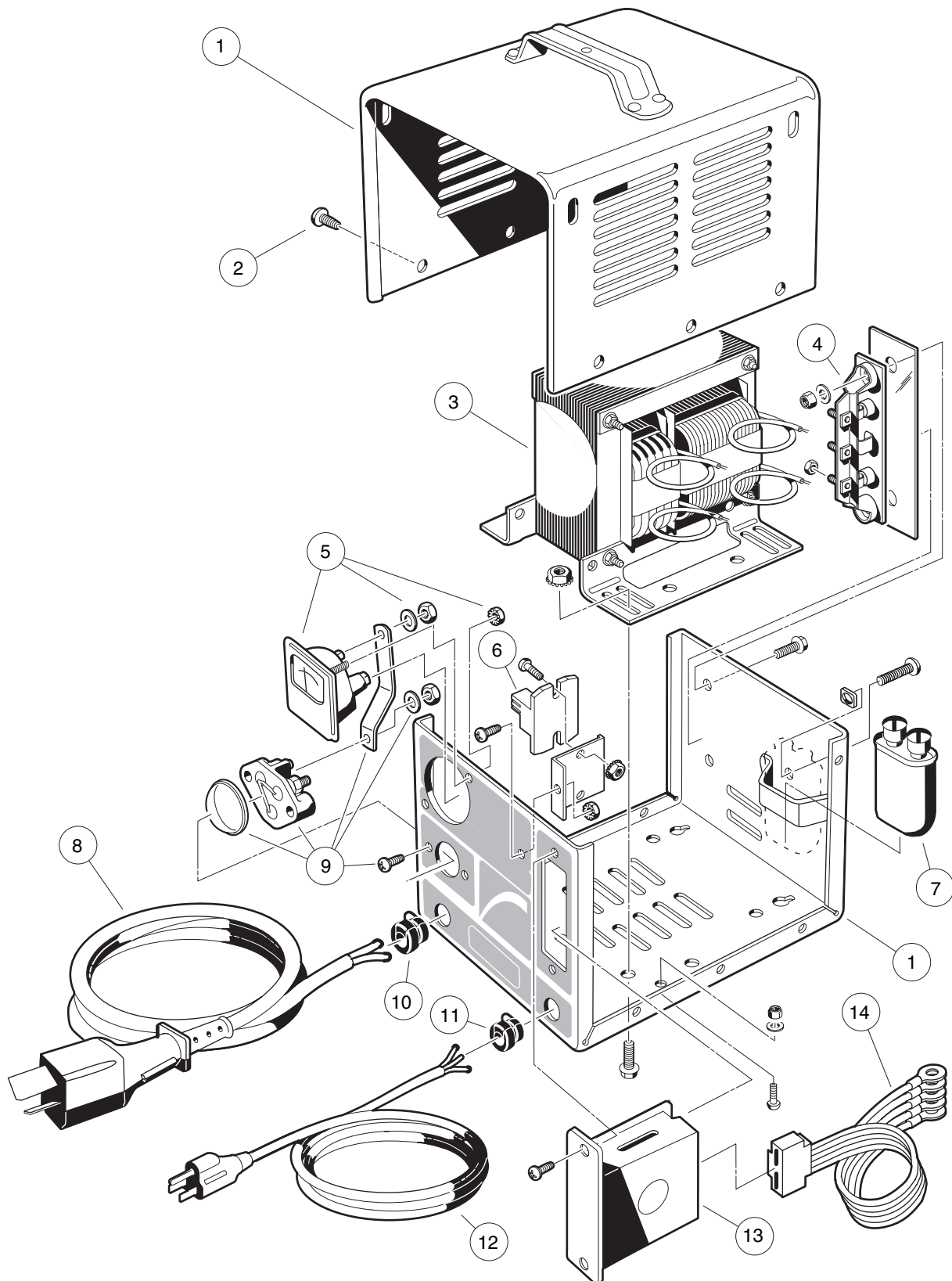
E

# BATTERY CHARGER

---

15

E

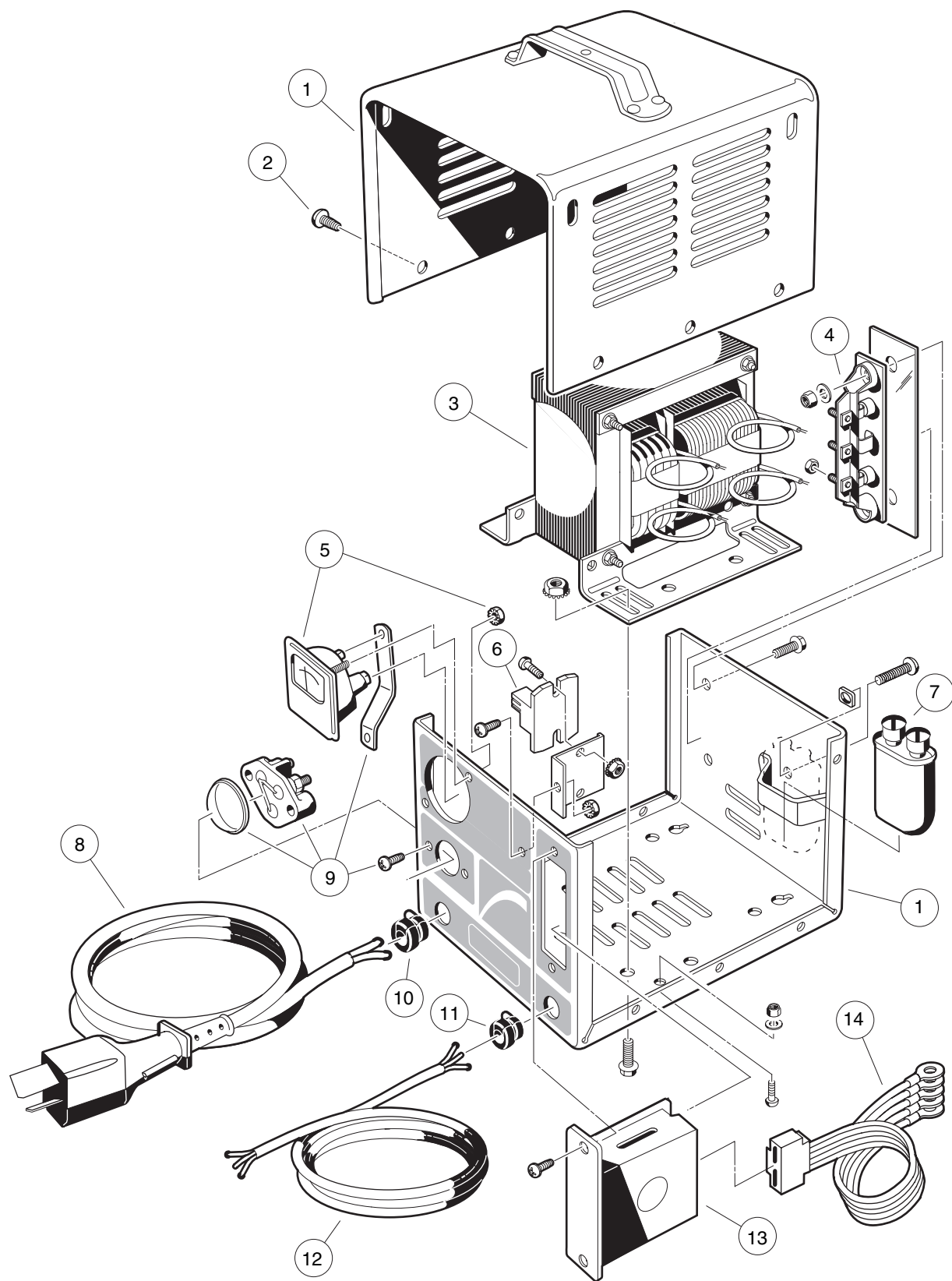


# ACCU-POWER BATTERY CHARGER, DOMESTIC – V-GLIDE 36-VOLT VEHICLE

ITEM	PART NO.	DESCRIPTION	QTY
		1 2 3 4	
	101646401	Charger, Accu-Power, Domestic, 120-V AC, 36-V DC, 60-Hz (model number 13800-11) (includes items 1 - 14) 108-inch DC cord, 72-inch AC cord .....	1
1	1015907	Assembly, Case (includes fasteners) .....	1
2	7577	Screw, Pan-Head, Self-Tapping, #10-16 x 1/2 .....	10
3	1015912	Assembly, Transformer .....	1
4	1015914	Assembly, Heatsink, with Diodes (includes mounting hardware) .....	1
5	1015905	Ammeter (includes mounting hardware) .....	1
6	1015911	Relay, 36-V DC .....	1
7	1015910	Capacitor .....	1
8	101643301	Cordset, DC, 108-Inch Long (standard) 12-AWG .....	1
8	101643302	Cordset, DC, 146-Inch Long, 10-AWG .....	1
8	101643303	Cordset, DC, 242-Inch Long, 10-AWG .....	1
9	1012101	Assembly, Fuse (Includes Hardware) .....	1
10	1012098	Bushing, Strain Relief, 12-AWG DC Cord .....	1
10	1012042	Bushing, Strain Relief, 10-AWG DC Cord .....	1
11	1015917	Bushing, Strain Relief, AC Cord .....	1
12	101591601	Cordset, AC, 72-Inch Long (standard) .....	1
12	101591602	Cordset, AC, 108-Inch Long .....	1
13	1015906	Assembly, Timer Kit (includes mounting hardware) .....	1
14	1015913	Assembly, Control Cable .....	1

15

E

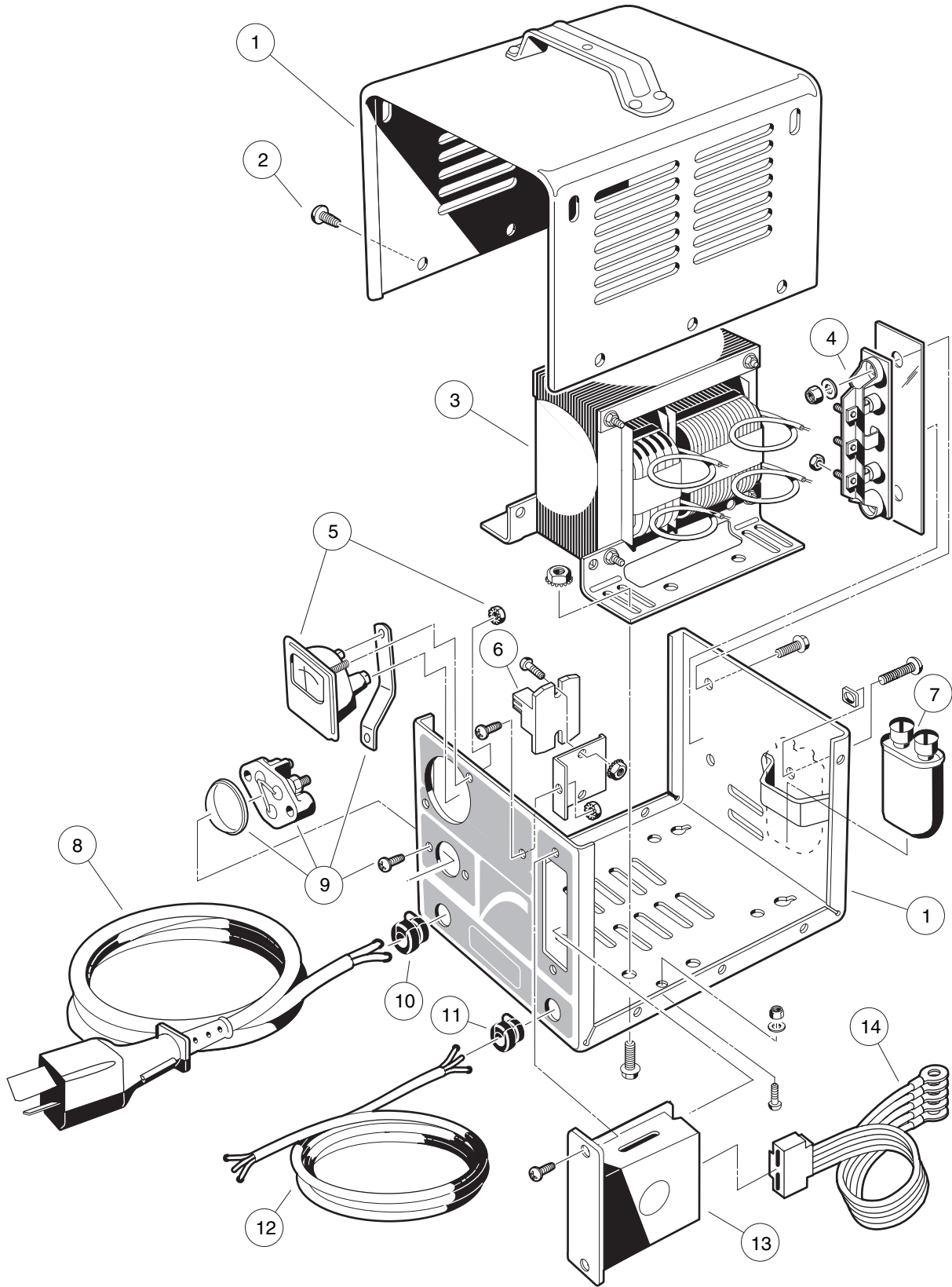


# ACCU-POWER BATTERY CHARGER, EXPORT, 230-VOLT – V-GLIDE 36-VOLT VEHICLE

ITEM	PART NO.	DESCRIPTION	QTY
		1 2 3 4	
	101643401	Charger, Accu-Power, Export, 230-V AC, 36-V DC, 50-Hz (model number 14410-11) (includes items 1 - 14) 108-inch DC cord, 108-inch AC cord .....	1
1	N/A	Assembly, Case .....	1
2	7577	Screw, Pan-Head, Self-Tapping, #10-16 x 1/2 .....	10
3	1015936	Assembly, Transformer .....	1
4	1015914	Assembly, Heatsink, with Diodes (includes mounting hardware) .....	1
5	1015905	Ammeter (includes mounting hardware) .....	1
6	1015911	Relay, 36-V DC .....	1
7	1015910	Capacitor .....	1
8	101643301	Cordset, DC, 108-Inch Long, 12-AWG (standard) .....	1
8	101643302	Cordset, DC, 146-Inch Long, 10-AWG .....	1
8	101643303	Cordset, DC, 242-Inch Long, 10-AWG .....	1
9	1012101	Assembly, Fuse (includes mounting hardware) .....	1
10	1012098	Bushing, Strain Relief, 12-AWG DC Cord .....	1
10	1012042	Bushing, Strain Relief, 10-AWG DC Cord .....	1
11	1015917	Bushing, Strain Relief, AC Cord .....	1
12	1014696	Cordset, AC, 108-Inch Long (standard) .....	1
13	1015906	Assembly, Timer Kit (includes mounting hardware) .....	1
14	1015913	Assembly, Control Cable .....	1

15

E



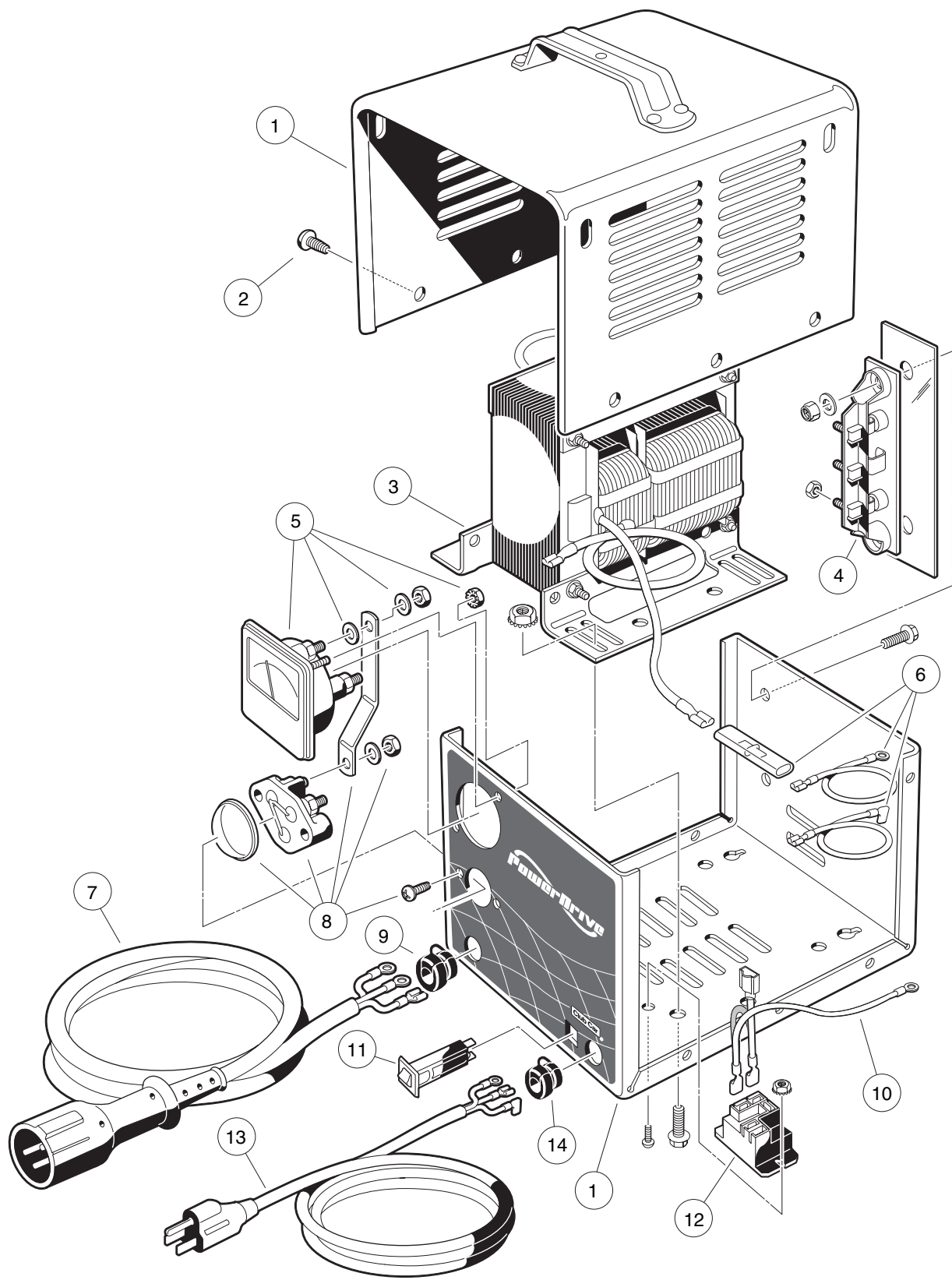


# ACCU-POWER BATTERY CHARGER, EXPORT, 100-VOLT – V-GLIDE 36-VOLT VEHICLE

**15**

**E**

ITEM	PART NO.	DESCRIPTION	QTY
		1 2 3 4	
	101646201	Charger, Accu-power, Export, 100-V AC, 36-V DC, 50-Hz (model number 14900) (includes items 1 - 14) 108-inch DC cord, 108-inch AC cord .....	1
1	N/A	Assembly, Case .....	1
2	7577	Screw, Pan-Head, Self-Tapping, #10-16 x 1/2 .....	10
3	1016336	Assembly, Transformer .....	1
4	1015914	Assembly, Heatsink, with Diodes (includes mounting hardware) .....	1
5	1015905	Ammeter (Includes Mounting Hardware) .....	1
6	1015911	Relay, 36-V DC .....	1
7	1015939	Capacitor .....	1
8	101643301	Cordset, DC, 108-Inch Long, 12-AWG (standard) .....	1
8	101643302	Cordset, DC, 146-Inch Long, 10-AWG .....	1
8	101643303	Cordset, DC, 242-Inch Long, 10-AWG .....	1
9	1012101	Assembly, Fuse (includes mounting hardware) .....	1
10	1012098	Bushing, Strain Relief, 12-AWG DC Cord .....	1
10	1012042	Bushing, Strain Relief, 10-AWG DC Cord .....	1
11	1015917	Bushing, Strain Relief, AC Cord .....	1
12	1016282	Cordset, AC, 108-Inch Long .....	1
13	1015906	Assembly, Timer Kit (includes mounting hardware) .....	1
14	1015913	Assembly, Control Cable .....	1



# POWERDRIVE BATTERY CHARGER, DOMESTIC

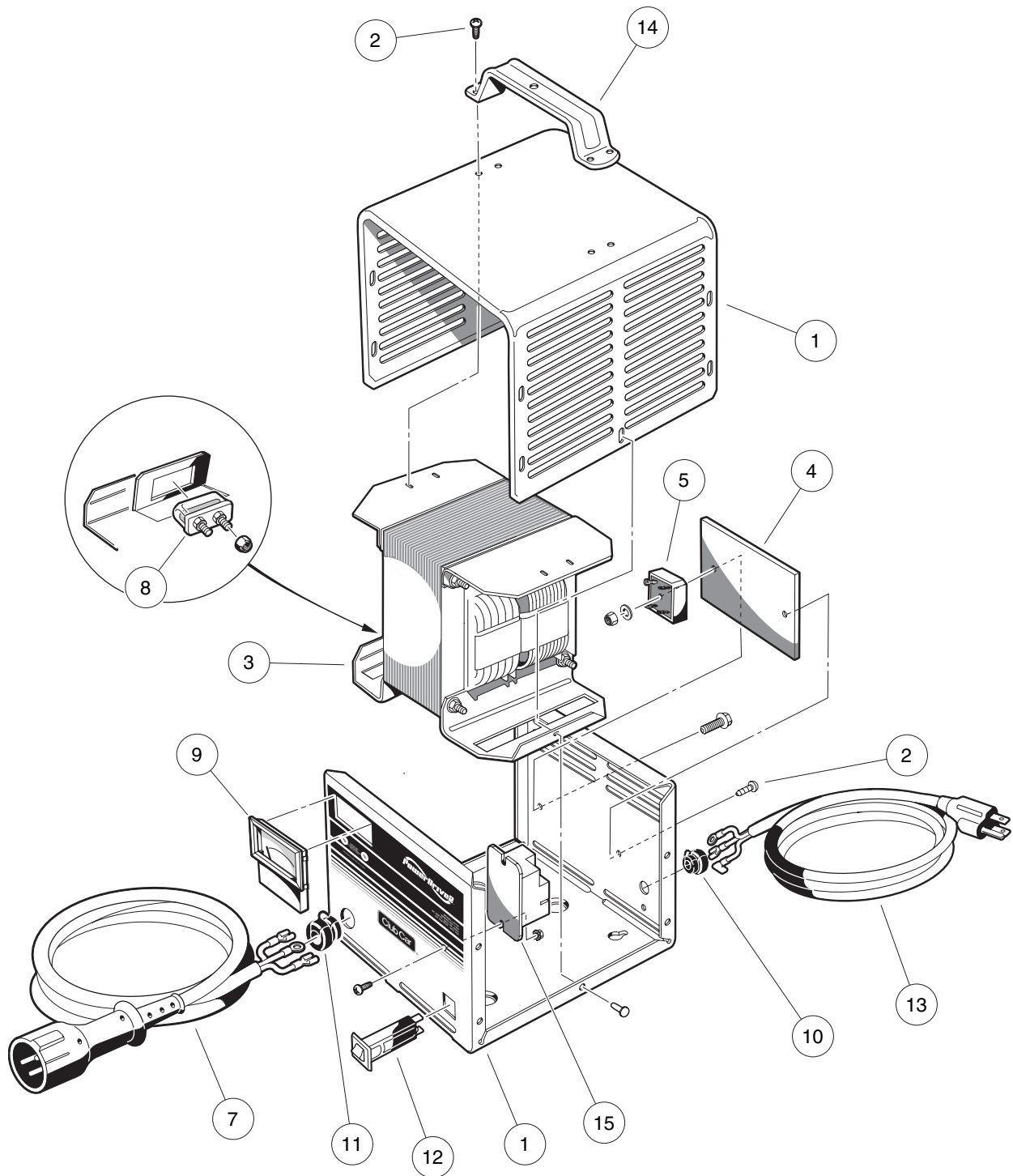
ITEM	PART NO.	DESCRIPTION	QTY
		<b>1 2 3 4</b> PowerDrive chargers can be used with PowerDrive System 48 and IQ System vehicles.	
	101802201	Charger, Battery, PowerDrive, Domestic 120-V AC 48-V DC 60-Hz (model number 17930-11) (includes items 1 - 14) 103-inch DC cord with male 3-pin plug, 12-AWG 74-inch AC cord with male grounded plug .....	1
	101802202	Charger, Battery, PowerDrive 120-V AC 48-V DC 60-Hz (model number 17930-18) (includes items 1 - 14) 144-inch DC cord with male 3-pin plug, 12-AWG 108-inch AC cord with male grounded plug .....	1
	101802203	Charger, Battery, PowerDrive 120-V AC 48-V DC 60-Hz (model number 17930-19) (includes items 1 - 14) 240-inch DC cord with male 3-pin plug, 12-AWG 108-inch AC cord with male grounded plug .....	1
1	101828301	Assembly, Case (includes fasteners) .....	1
2	7577	Screw, Pan-Head, Self-Tapping, #10-16 x 1/2 .....	10
3	101819701	Assembly, Transformer .....	1
4	1015914	Assembly, Heatsink, with Diodes (includes mounting hardware) .....	1
5	101828501	Ammeter (includes mounting hardware) .....	1
6	101831101	Kit, Wire Assembly .....	1
7	101828901	Cordset, DC, 113-Inch Long with Male 3-Pin Plug, 12-AWG .....	1
7	101828902	Cordset, DC, 154-Inch Long with Male 3-Pin Plug, 12-AWG .....	1
7	101828903	Cordset, DC, 250-Inch Long with Male 3-Pin Plug, 12-AWG .....	1
8	1012101	Assembly, Fuse (includes mounting hardware) .....	1
9	1012098	Bushing, Strain Relief, DC Cord, 12-AWG .....	1
10	101914401	Assembly, Voltage Suppressor .....	1
11	CCX8506	Breaker, Circuit, 15-Amp, 120-V AC .....	1
12	101828601	Relay, Power, 48-V DC .....	1
13	101828801	Cordset, AC, 80-Inch Long .....	1
13	101828802	Cordset, AC, 116-Inch Long .....	1
14	1015917	Bushing, Strain Relief, AC Cord .....	1

15

E

15

E

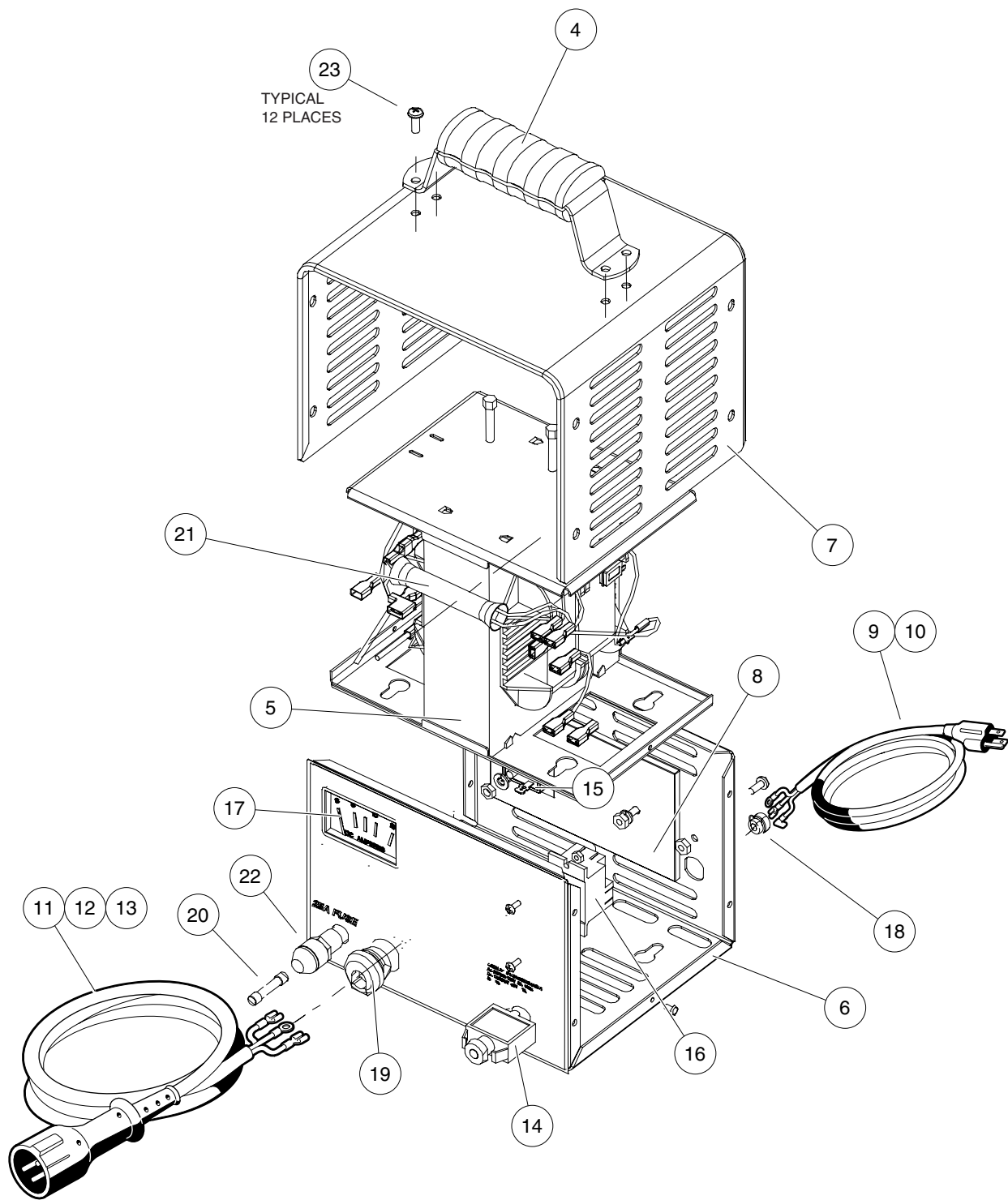


# POWERDRIVE 2 BATTERY CHARGER, DOMESTIC

ITEM	PART NO.	DESCRIPTION	QTY
		<b>1 2 3 4</b> PowerDrive 2 chargers can be used with PowerDrive System 48 and IQ System vehicles.	
	101802204	Charger, Battery, PowerDrive 2, Domestic 120-V AC 48-V DC 60-Hz (model number 22110-11) (includes items 1 - 15) 103-inch DC cord with male 3-pin plug, 12-AWG 74-inch AC cord with male grounded plug .....	1
	101802205	Charger, Battery, PowerDrive 2 120-V AC 48-V DC 60-Hz (model number 22110-18) (includes items 1 - 15) 144-inch DC cord with male 3-pin plug, 12-AWG 108-inch AC cord with male grounded plug .....	1
	101802206	Charger, Battery, PowerDrive 2 120-V AC 48-V DC 60-Hz (model number 22110-19) (includes items 1 - 15) 240-inch DC cord with male 3-pin plug, 12-AWG 108-inch AC cord with male grounded plug .....	1
1	102273201	Assembly, Case (includes item 2) .....	1
2	7577	Screw, Pan-Head, Self-Tapping, #10-16 x 1/2 .....	12
3	102273301	Assembly, Transformer (includes rivets) .....	1
4	102273401	Plate, Heatsink .....	1
5	102273501	Assembly, Diode with Heatsink Film (includes mounting hardware) .....	1
6	102273601	Kit, Wire Assembly (not shown) .....	1
7	101828904	Cordset, DC, 113-Inch Long with Male 3-Pin Plug, 12-AWG .....	1
7	101828905	Cordset, DC, 154-Inch Long with Male 3-Pin Plug, 12-AWG .....	1
7	101828906	Cordset, DC, 250-Inch Long with Male 3-Pin Plug, 12-AWG .....	1
8	102273701	Assembly, Fuse, 30-Amp (includes terminal hardware) .....	1
9	102273801	Ammeter (includes mounting hardware) .....	1
10	102273901	Bushing, Strain Relief, AC Cord .....	1
11	1012098	Bushing, Strain Relief, DC Cord, 12-AWG .....	1
12	CCX8506	Breaker, Circuit, 15-Amp, 120-V AC .....	1
13	101828801	Cordset, AC, 80-Inch Long .....	1
13	101828802	Cordset, AC, 116-Inch Long .....	1
14	102274001	Handle, PowerDrive 2 Charger (with four screws) .....	1
15	101828601	Relay, Power, 48-V DC .....	1

15

E



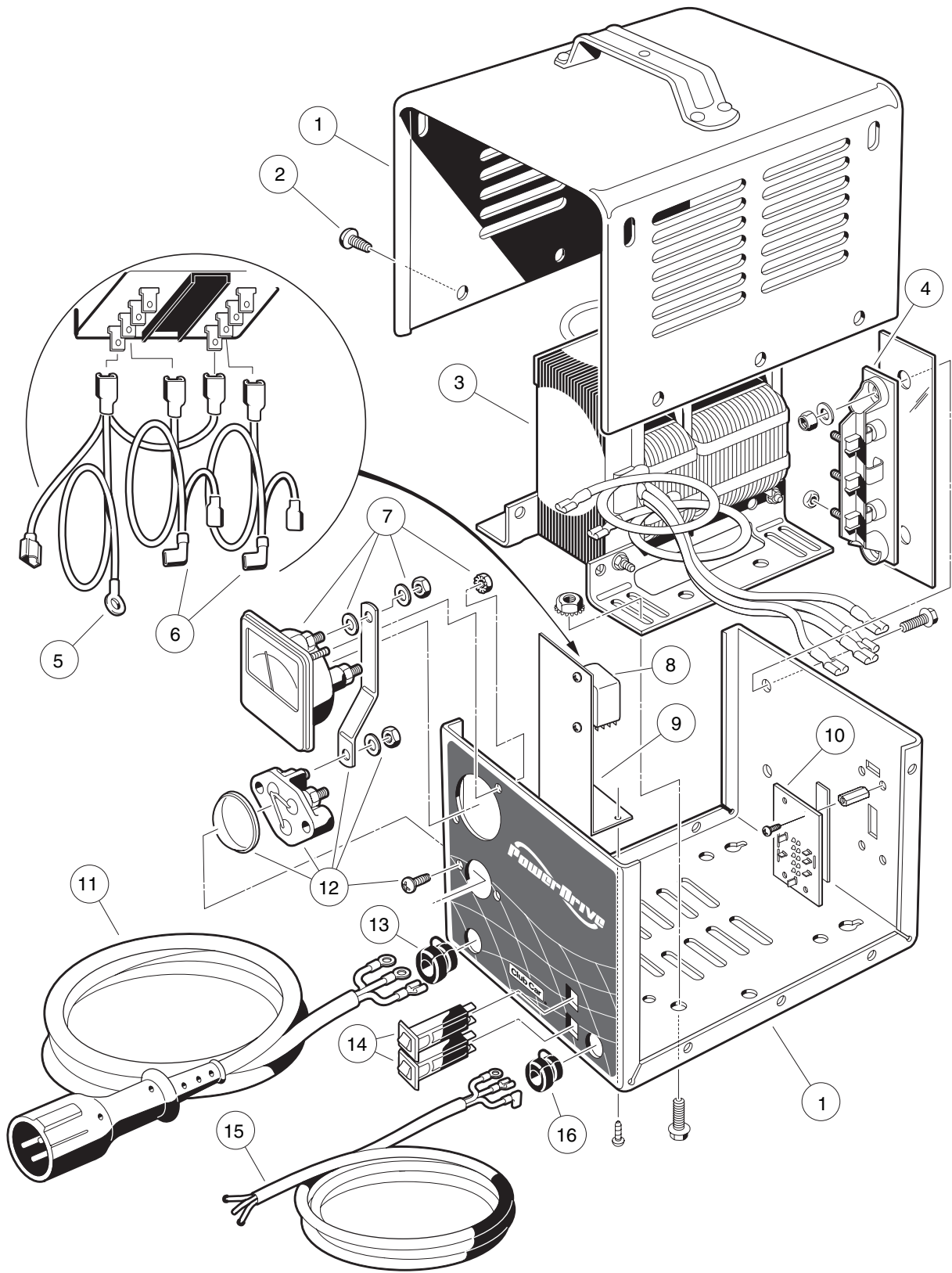
000184-001

# GE POWERDRIVE BATTERY CHARGER, DOMESTIC

ITEM	PART NO.	DESCRIPTION	QTY
		1 2 3 4	
1	102496401	Charger, 120VAC/48VDC 103/74in .....	1
2	102496402	Charger, 120VAC/48VDC 144/108in .....	1
3	102496403	Charger, 120VAC/48VDC 240/108in (includes items 4 through 23) .....	1
4	102814201	Handle, PowerDrive Charger .....	1
5	102814301	Transformer .....	1
6	102814401	Cover, Base .....	1
7	102814501	Cover, Top .....	1
8	102814601	Plate, Heatsink .....	1
9	102814701	Cordset, AC, 80-Inch Long .....	1
10	102814702	Cordset, AC, 108-Inch Long .....	1
11	102814801	Cordset, DC, 113-Inch Long .....	1
12	102814802	Cordset, DC, 154-Inch Long .....	1
13	102814803	Cordset, DC, 250-Inch Long .....	1
14	102814901	Breaker, Circuit, 15-Amp .....	1
15	102815001	Rectifier .....	1
16	102815101	Relay, 48-VDC .....	1
17	102815201	Ammeter .....	1
18	102815301	Bushing, Strain Relief .....	1
19	102815401	Bushing, Strain Relief .....	1
20	102815501	Fuse, 25-Amp, Type ABC .....	1
21	102815601	Wire Assembly, Voltage Suppressor .....	1
22	102815701	Holder, Fuse .....	1
23	7577	Screw, #10 X .50 Phil Pan Head .....	12

15

E



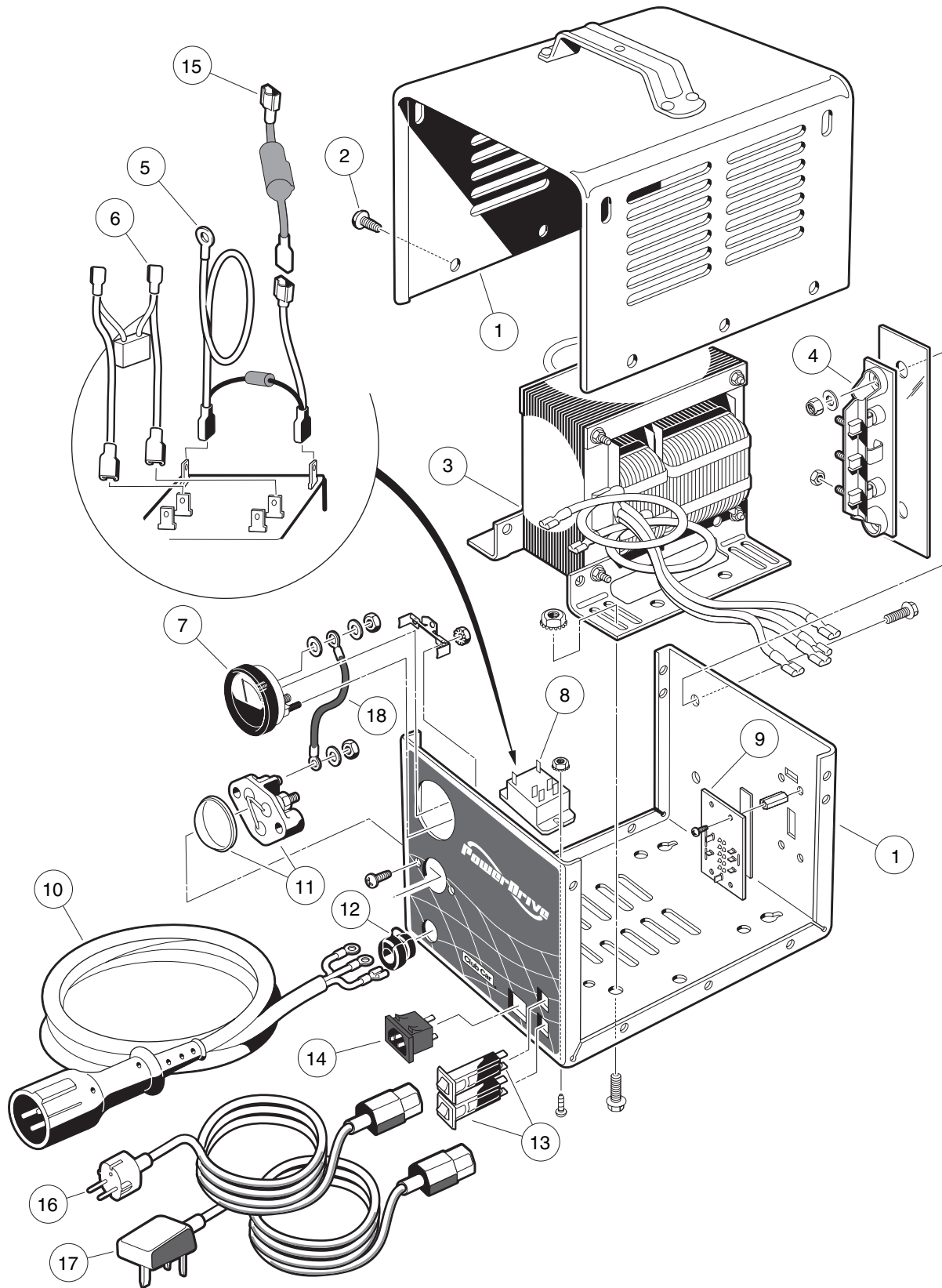


# POWERDRIVE BATTERY CHARGER, EXPORT

ITEM	PART NO.	DESCRIPTION	QTY
		<p>1 2 3 4</p> <p>PowerDrive chargers can be used with PowerDrive System 48 and IQ System vehicles.</p>	
	101831503	Charger, Battery, PowerDrive, Export with 4-Position Switch 100 - 200 - 220 - 240 V AC, 48-V DC 50/60-Hz (model number 18780-11) (includes items 1 - 16) 103-inch DC cord with male 3-pin plug, 12-AWG 74-inch AC cord with no plug .....	1
	101831504	Charger, Battery, PowerDrive Export with 4-Position Switch 100 - 200 - 220 - 240 V AC, 48-V DC 50/60-Hz (model number 18780-18) (includes items 1 - 16) 144-inch DC cord with male 3-pin plug, 12-AWG 108-inch AC cord with no plug .....	1
1	N/A	Assembly, Case .....	1
2	7577	Screw, Pan-Head, Self-Tapping, #10-16 x 1/2 .....	10
3	101838201	Assembly, Transformer .....	1
4	1015914	Assembly, Heatsink, with Diodes (includes mounting hardware) .....	1
5	101914401	Assembly, Voltage Suppressor .....	1
6	101838501	Kit, Wire Assembly .....	1
7	101828501	Ammeter (includes hardware) .....	1
8	101838301	Relay, Power, 48-V DC (includes mounting hardware) .....	1
9	101838701	Bracket, Power Relay Mounting .....	1
10	101838601	Switch, 4-Position Slide .....	1
11	101828901	Cordset, DC, 113-Inch Long with Male 3-Pin Plug, 12-AWG .....	1
11	101828902	Cordset, DC, 154-Inch Long with Male 3-Pin Plug, 12-AWG .....	1
11	101828903	Cordset, DC, 250-Inch Long with Male 3-Pin Plug, 12-AWG .....	1
12	1012101	Assembly, Fuse (includes hardware) .....	1
13	1012098	Bushing, Strain Relief, DC Cord, 12-AWG .....	1
14	101838401	Breaker, Circuit, 10-Amp .....	2
15	101831701	Cordset, AC, 80-Inch Long with Leads (no plug) .....	1
15	101831702	Cordset, AC, 116-Inch Long with Leads (no plug) .....	1
16	1015917	Bushing, Strain Relief, AC Cord .....	1

15

E



# POWERDRIVE BATTERY CHARGER, EUROPEAN

ITEM	PART NO.	DESCRIPTION	QTY
		<b>1 2 3 4</b> PowerDrive chargers can be used with PowerDrive System 48 and IQ System vehicles.	
	101956201	Charger, Battery, PowerDrive, European with 4-Position Switch 100 - 200 - 220 - 240 V AC, 48-V DC 50/60-Hz (model number 20300) (includes items 1 - 15) 103-inch (261 cm) DC cord with male 3-pin plug, 12-AWG .....	1
	101956202	Charger, Battery, PowerDrive European with 4-Position Switch 100 - 200 - 220 - 240 V AC, 48-V DC 50/60-Hz (model number 20310) (includes items 1 - 15) 144-inch (366 cm) DC cord with male 3-pin plug, 12-AWG .....	1
1	N/A	Assembly, Case .....	1
2	7577	Screw, Pan-Head, Self-Tapping, #10-16 x 1/2 .....	10
3	****	Assembly, Transformer .....	1
4	1015914	Assembly, Heatsink, with Diodes (includes mounting hardware) .....	1
5	****	Assembly, AC Voltage Suppressor .....	1
6	****	Kit, Wire Assembly .....	1
7	101976601	Ammeter (includes hardware) .....	1
8	101987501	Relay, Power, 48-V DC (includes mounting hardware) .....	1
9	101838601	Switch, 4-Position Slide .....	1
10	101828901	Cordset, DC, 103-Inch (261 cm) Long with Male 3-Pin Plug, 12-AWG .....	1
10	101828902	Cordset, DC, 144-Inch (366 cm) Long with Male 3-Pin Plug, 12-AWG .....	1
10	101828903	Cordset, DC, 250-Inch (635 cm) Long with Male 3-Pin Plug, 12-AWG .....	1
11	1012101	Assembly, Fuse (includes hardware) .....	1
12	1012098	Bushing, Strain Relief, DC Cord, 12-AWG .....	1
13	101838401	Breaker, Circuit, 10-Amp .....	2
14	101973501	Receptacle, AC Cord .....	1
15	****	Assembly, Current Limiter .....	1
16	101958301	Cordset, AC, Continental Europe, 96-Inch (244 cm) Long (with male 2-pin plug) .....	1
17	101958201	Cordset, AC, U.K., 96-Inch (244 cm) Long (with male 3-pin plug) .....	1
18	N/A	Wire, Jumper.....	1
	****	Special order item available on request	

15

E

15

E

# MAINTENANCE AND SERVICE TOOLS

---

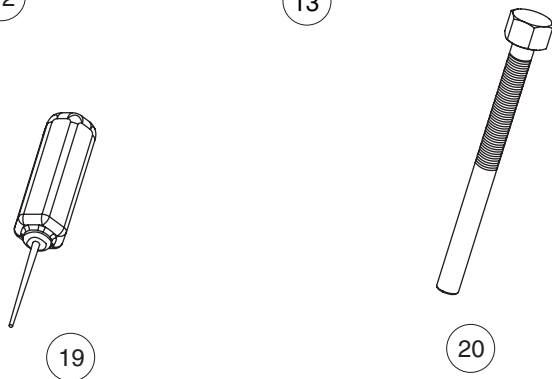
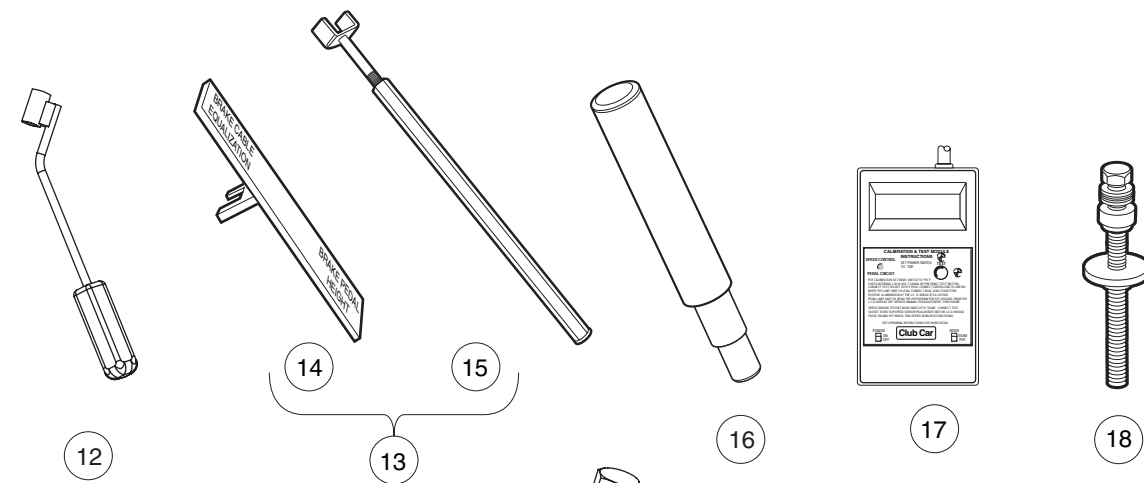
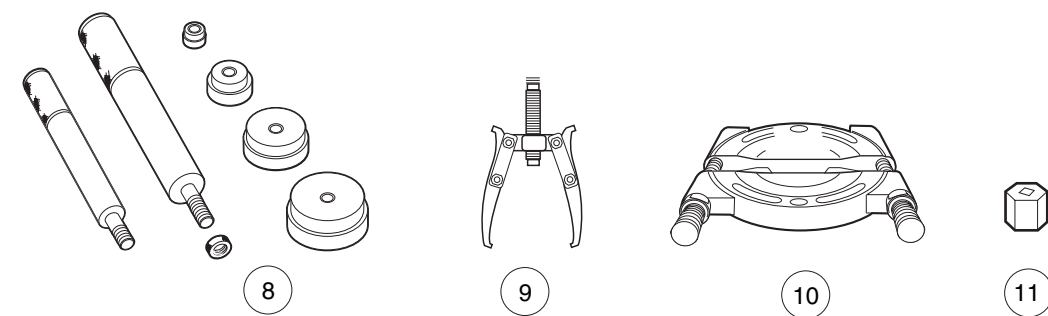
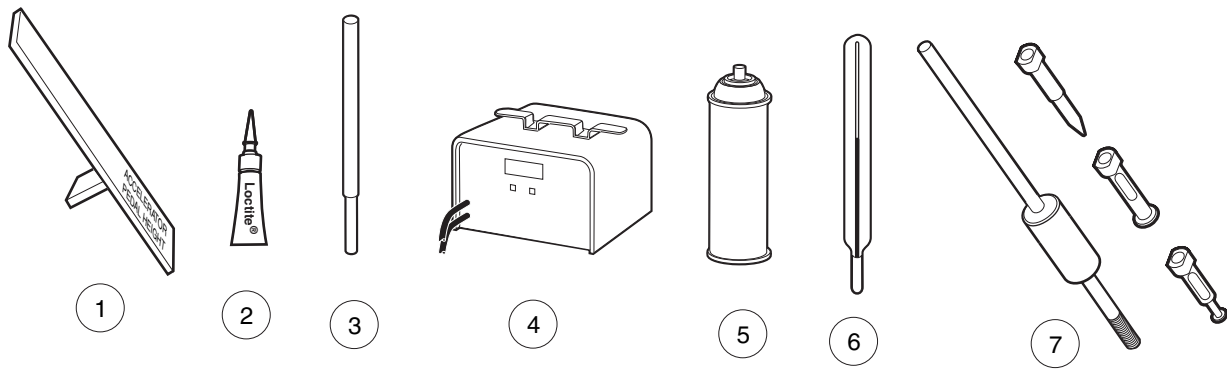
16

G

E

D

**16**  
**G**  
**E**  
**D**



# MAINTENANCE AND SERVICE TOOLS

ITEM	PART NO.	DESCRIPTION	QTY DIESEL	QTY GAS	QTY ELEC
		<p style="text-align: center;">1 2 3 4</p> <p>The following tool list includes all tools available from Club Car for maintenance and service procedures for gasoline, electric, and/or diesel vehicles, both past and present models. Be sure to carefully examine the tool list for applicability to your vehicle before ordering.</p>			
1	101871001	Accelerator Pedal Adjustment Tool .....		1	1
2	101813202	Adhesive, Guide Ring, 3-Gram Tube .....			1
3	101641202	Arbor .....		1	
4	101831901	Battery Discharge Machine, 36/48 Volt .....			1
5	1014305	Battery Terminal Protector Spray .....	1	1	1
6	1011767	Battery Thermometer .....	1	1	1
7	1016417	Bearing and Oil Seal Remover Assembly .....	1	1	1
8	1016416	Bearing Driver Set .....	1	1	1
9	1012811	Bearing Puller .....	1	1	1
10	1012812	Bearing Puller Wedge Attachment .....	1	1	1
11	1013582	Brake Adjustment Tool (used only on vehicles with manually adjusted mechanical brakes) .....		1	1
12	102555501	Brake Cable Release Tool .....	1	1	1
13	102249901	Brake Pedal Adjustment Tool Kit (used for the Carryall Electric Industrial Truck only) (includes items 14 and 15).....			1
14	****	Brake Pedal Adjustment Tool .....			1
15	****	Brake Pedal Tension Tool .....			1
16	102669601	Connecting Rod Small End Bushing Tool (for Kubota D722 Diesel Engines) .....	1		
17	101887101	Calibration Test Module .....			1
18	101808401	Cam Installation Tool .....		1	
19	102562401	Charger Bezel Tool .....			1
20	102686101	Clutch Removal Tool (for XRT 1500, Carryall 294, and Bobcat 2200 Vehicles) .....	1	1	
		<p>Please refer to the maintenance and service manual for proper tool application.</p> <p>**** Special order item available upon request</p>			

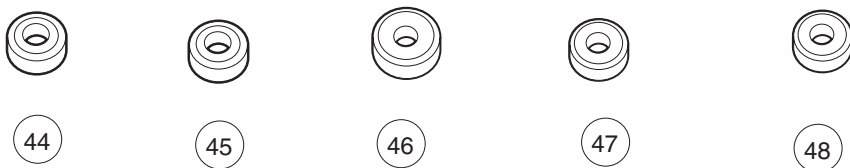
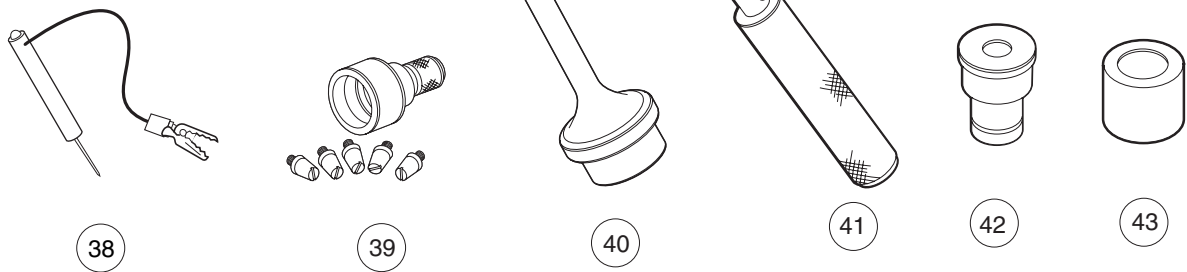
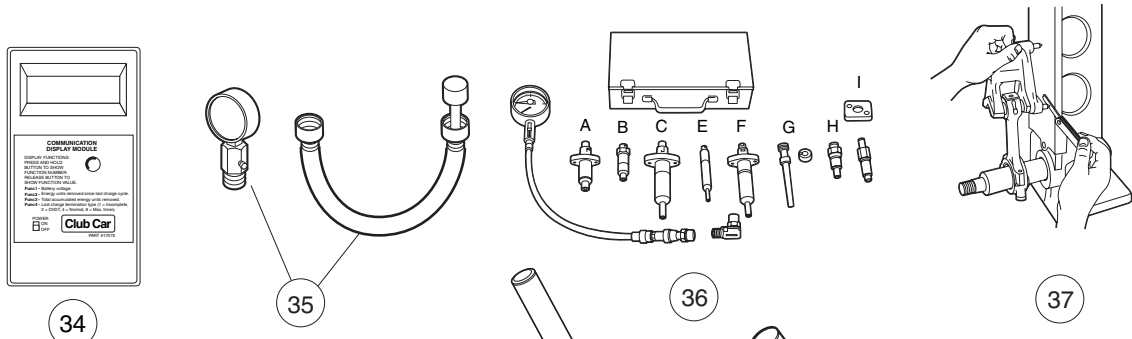
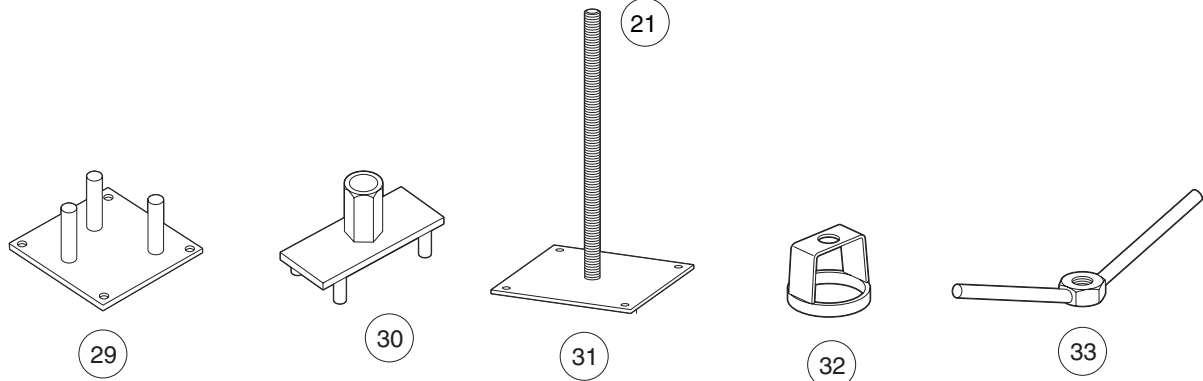
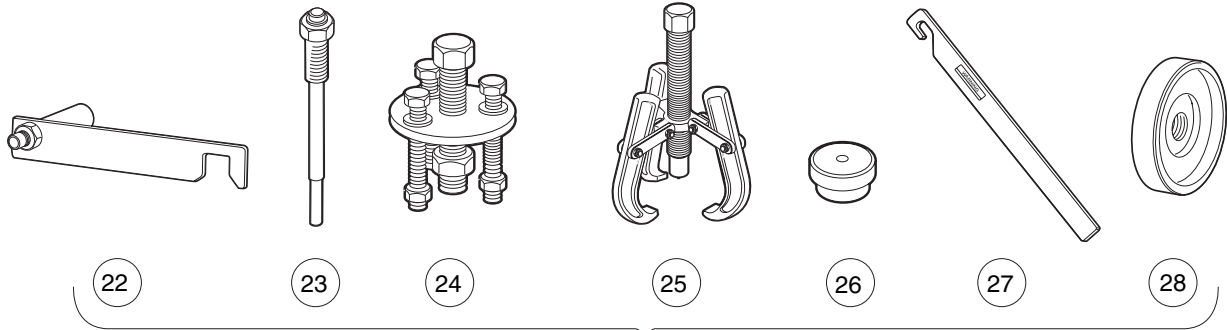
16

G

E

D

**16**  
**G**  
**E**  
**D**





# MAINTENANCE AND SERVICE TOOLS, CONTINUED

ITEM	PART NO.	DESCRIPTION	QTY	QTY	QTY	16
			DIESEL	GAS	ELEC	
		1 2 3 4				
21	1014510	Clutch Tool Kit (includes items 22 - 28) .....		1		<b>G</b> <b>E</b> <b>D</b>
22	1014498	Clutch Alignment Tool (for pre-unitized transaxle vehicles built prior to 1997 model year) .....		1		
23	1014496	Drive Clutch Puller (for Kawasaki engines only) .....		1		
24	1014497	Drive Clutch Hub Puller (for Kawasaki engines only) .....		1		
25	1014508	Driven Clutch Cam Puller (for Kawasaki engines only) .....		1		
26	1014507	Driven Clutch Puller Plug (for Kawasaki engines only) .....		1		
27	1015524	Drive Clutch Holder Tool Assembly (for Kawasaki engines only)		1		
28	101809101	Press Weldment (for Kawasaki engines only) .....		1		
29	102601501	Clutch, Drive, Fixed Sheave Tool (for XRT 1500, Carryall 294, and Bobcat 2200 Vehicles) .....	1	1		
30	102607501	Clutch, Drive, Spider Removal Tool (for XRT 1500, Carryall 294, and Bobcat 2200 Vehicles) .....	1	1		
31	102603501	Clutch, Driven, Spring Compression Base (for use with items 32 and 33) (for XRT 1500, Carryall 294, and Bobcat 2200 Vehicles) ...	1	1		
32	102605201	Clutch, Driven, Spring Compression Collar (for use with items 31 and 33) (for XRT 1500, Carryall 294, and Bobcat 2200 Vehicles) ...	1	1		
33	102606101	Clutch, Driven, Spring Compression Nut (for use with items 31 and 32) (for XRT 1500, Carryall 294, and Bobcat 2200 Vehicles) ...	1	1		
34	101831801	Communication Display Module .....			1	
35	101641002	Compression Gauge and Adapter .....		1		
36	102669001	Compression Tester (for Kubota D722 Diesel Engines).....	1			
37	102669201	Connecting Rod Alignment Tool (for Kubota D722 Diesel Engines)	1			
38	1011273	Continuity Tester .....		1	1	
39	102668901	Crank Sleeve Setter (for Kubota D722 Diesel Engines) .....	1			
40	102669501	Crankshaft Bearing Replacement Tool (for Kubota D722 Diesel Engines) .....	1			
41	102674001	Crankshaft Main Bearing Driver (for use with items 42 and 43) (for Honda GX620 Gasoline Engines) .....		1		
42	102674101	Crankshaft Main Bearing Driver Attachment (for use with Honda GX620 Gasoline Engines)		1		
43	102674201	Crankshaft Main Bearing Pilot Attachment (for Honda GX620 Gasoline Engines) .....		1		
44	102675201	Cutter, Valve Seat Exhaust, 32 Degree (requires item 59) (for Honda GX620 Gasoline Engines) .....		1		
45	102675301	Cutter, Valve Seat Intake, 32 Degree (requires item 59) (for Honda GX620 Gasoline Engines) .....		1		
46	102675401	Cutter, Valve Seat, 60 Degree (requires item 59) (for Honda GX620 Gasoline Engines) .....		1		
47	102675001	Cutter, Valve Seat, Exhaust, 45 Degree (requires item 59) (for Honda GX620 Gasoline Engines) .....		1		
48	102675101	Cutter, Valve Seat, Intake, 45 Degree (requires item 59) (for Honda GX620 Gasoline Engines) .....		1		
		Please refer to the maintenance and service manual for proper tool application.				

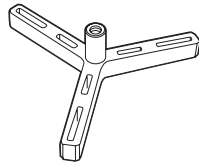
**16  
G  
E  
D**



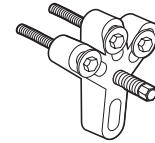
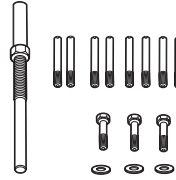
49



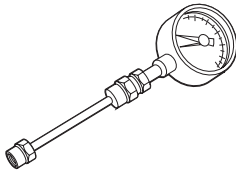
50



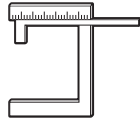
51



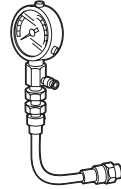
52



53



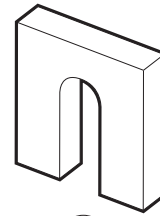
54



55



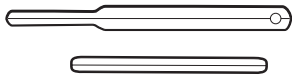
56



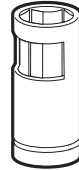
57



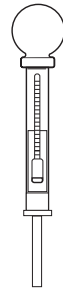
58



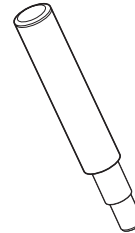
59



60



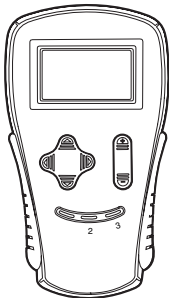
61



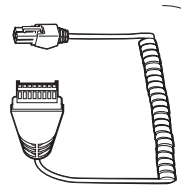
62



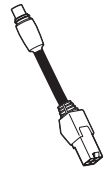
63



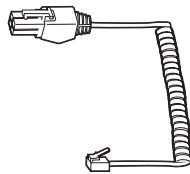
64



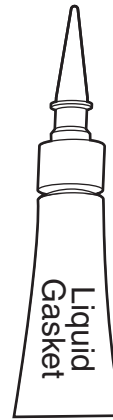
65



66



67



68

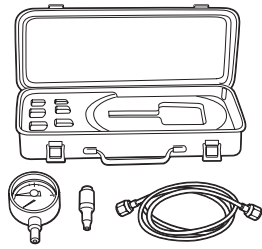


69

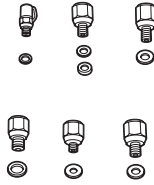
# MAINTENANCE AND SERVICE TOOLS, CONTINUED

ITEM	PART NO.	DESCRIPTION	QTY	QTY	QTY	16
			DIESEL	GAS	ELEC	
		1 2 3 4				G
49	1012151	Dry Moly Lubricant .....	1	1	1	E
50	102674501	Flywheel Clutch Holder (for Honda GX620 Gasoline Engines) .....		1		D
51	102668601	Flywheel Puller (for Kubota D722 Diesel Engines) .....	1			
52	1016627	Flywheel Puller Kit (for Kawasaki Engines) .....		1		
53	102669801	Fuel Injection Pump Pressure Tester (for Kubota D722 Diesel Engines) .....	1			
54	102669901	Gauge, Carburetor Float Level (for Honda GX620 Gasoline Engines) .....		1		
55	102674701	Gauge, Oil Pressure (for Honda GX620 Gasoline Engines) .....		1		
56	102670001	Gauge, Oil Pressure, Attachment (for Honda GX620 Engines) .....		1		
57	1016418	Gear Yoke .....	1	1	1	
58	101933101	Governor Shaft Installation Tool (for Kawasaki Engine Vehicles) ...		1		
59	102674901	Holder, Valve Seat Cutter (for use with items 44 through 48) (for Honda GX620 Gasoline Engines) .....			1	
60	102169401	Hydraulic Brake Adjuster (for gasoline vehicles equipped with hydraulic brakes, except XRT 1500, Carryall 294, and Bobcat 2200) .....			1	
61	1011478	Hydrometer .....	1	1	1	
62	102669701	Idle Gear Bushing Replacement Tool (for Kubota D722 Diesel Engines) .....	1			
63	1013593	Internal Retaining Ring Pliers .....	1	1	1	
64	102248803	IQ Display Module (IQDM) Kit (for IQ System vehicles only) .....			1	
		(includes items 65 and 66)				
65	102251501	Adaptor, Cable .....			1	
66	102241502	IQDM Series 2 Cable .....			1	
67	102241501	IQDM Series 1 Cable (replacement) .....			1	
68	101928701	Liquid Gasket (transaxle case) .....	1	1	1	
69	102243402	Moly-Teflon Lubricant (4-oz. (113-gram) tube) .....			1	
Please refer to the maintenance and service manual for proper tool application.						

**16  
G  
E  
D**



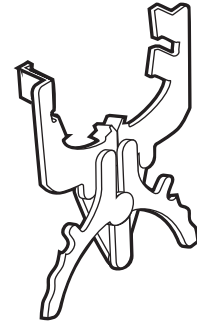
70



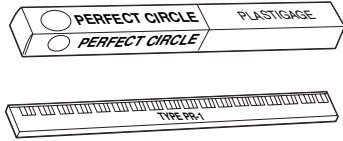
71



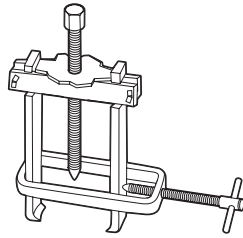
72



73



74



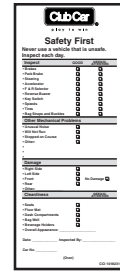
75



76



77



78



79



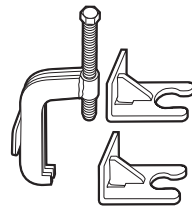
80



81



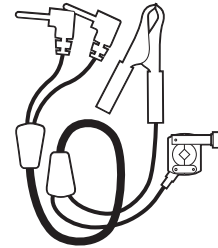
82



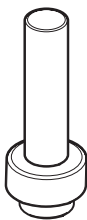
83



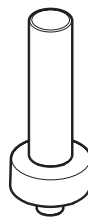
84



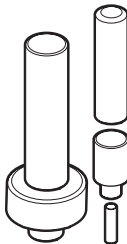
85



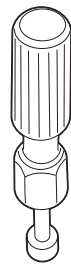
86



87



88



90



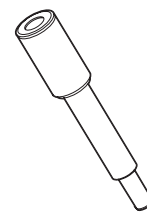
91



92



93



94

# MAINTENANCE AND SERVICE TOOLS, CONTINUED

ITEM	PART NO.	DESCRIPTION	QTY DIESEL	QTY GAS	QTY ELEC
		1 2 3 4			
70	102669101	Oil Pressure Tester (for Kubota D722 Diesel Engines) .....	1		
71	101997201	Paint, Touch-Up – Beige* .....		1	1
71	101997207	Paint, Touch-Up – Black* .....		1	1
71	101997212	Paint, Touch-Up – Burgundy* .....		1	1
71	101997211	Paint, Touch-Up – Classic Blue (Navy)* .....		1	1
71	101997205	Paint, Touch-Up – Dark Gray* .....	1	1	1
71	101997209	Paint, Touch-Up – Dark Green* .....	1	1	1
71	101997204	Paint, Touch-Up – Gray* .....		1	1
71	101997203	Paint, Touch-Up – Red* .....	1	1	1
71	101997206	Paint, Touch-Up – Royal Blue (Pacific Blue)* .....		1	1
71	101997202	Paint, Touch-Up – White* .....	1	1	1
72	1016414	Piston Ring Compressor Kit (FE290, FE350 and FE400 engines) .		1	
73	1016415	Piston Ring Pliers (for Kawasaki Engines) .....		1	
74	102669301	Plastigage (for Kubota D722 Diesel Engines) .....	1		
75	102668801	Puller, Special Use (for Kubota D722 Diesel Engines) .....	1		
76	1012549	Retaining Ring Pliers, 45° External .....	1	1	1
77	1012560	Retaining Ring Pliers, 90° Internal .....	1	1	1
78	101823101	Safety First Card (50 per pack) .....	1	1	1
79	1012809	Seal Puller .....	1	1	1
80	102330901	Spanner Wrench (for coil over shock front suspension vehicles only) .....	1	1	
81	1014264	Steering Column Bearing Press Tool .....		1	1
82	1014259	Steering Column Retaining Ring Tool .....		1	1
83	102061201	Steering Wheel Puller Tool .....	1	1	1
84	AM10753	Tachometer (includes gasoline engine pick up lead only) .....	1	1	
85	AM10771	Tachometer Diesel Probe (for use with item 84) .....	1		
86	1014162	Transaxle Axle Seal Tool .....		1	
87	1014161	Transaxle Pinion Seal Tool .....		1	
88	1014115	Transmission Tool Kit .....		1	
89	101611003	Tune-Up Kit, All OHV (for Kawasaki Engines) (includes air filter, spark plug, oil filter, fuel filters) (not shown) .....		1	
90	1016413	Valve Clearance Adjuster Screw Holder (for FE290 engines only) .		1	
91	102674601	Valve Guide Driver (for Honda GX620 Gasoline Engines) .....		1	
92	101641201	Valve Guide Reamer (FE290, FE350, and FE400 only) .....		1	
93	102674401	Valve Guide Reamer, 6.6 mm (for Honda GX620 Gasoline Engines) .....		1	
94	102669401	Valve Guide Replacement Tool (for Kubota D722 Diesel Engines)	1		

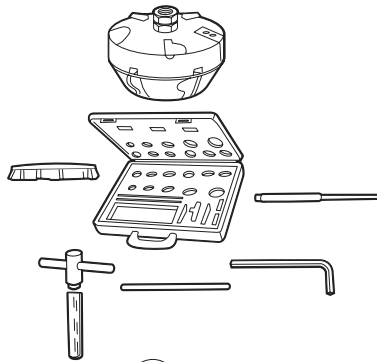
\* Item 71 is not for use on vehicles with Surlyn<sup>®</sup> body material,  
which is used on Precedent vehicles.

**16**  
**G**  
**E**  
**D**

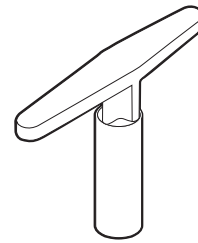
16  
G  
E  
D



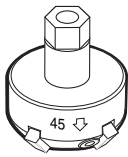
95



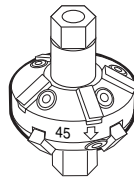
96



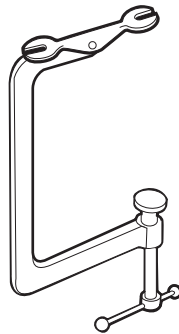
97



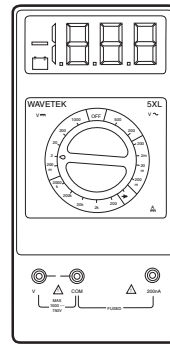
98



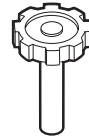
99



100



101



102

# MAINTENANCE AND SERVICE TOOLS, CONTINUED

ITEM	PART NO.	DESCRIPTION	QTY DIESEL	QTY GAS	QTY ELEC
		1 2 3 4			
95	1016552	Valve Seat Cutter Guide .....		1	
96	102668701	Valve Seat Cutter Set (for Kubota D722 Diesel Engines) .....	1		
97	1016551	Valve Seat Cutter T-Wrench .....		1	
98	1016553	Valve Seat Cutter, 45° (32 mm diameter) (for FE290 engines only) .....		1	
99	1016554	Valve Seat Cutter, 45°/30° (35 mm diameter) .....		1	
100	101641101	Valve Spring Compressor .....		1	
101	1011480	Volt Ohm Meter .....	1	1	1
102	102674801	Wrench, Valve Clearance Adjustment (for Honda GX620 Gasoline Engines) .....		1	

16

G

E

D

16

G

E

D



# INDEX

## Part Number and Page

AM10079	6-9, 12-3	7893	6-5, 6-7, 12-13	1011084	4-7
AM10080	11-5, 11-11	7973	1-3	1011229	6-9
AM10081	11-5, 11-11	8049	12-7, 12-15	1011273	16-5
AM10419	10-5	8056	12-9	1011290	13-3, 13-5
AM10724	7-5	8057	6-5, 6-7, 12-7, 12-9, 12-15	1011291	11-7, 11-13, 14-5
AM10753	16-9	8058	6-5, 6-7, 12-7, 12-9, 12-15	1011382	1-3
CCX8506	15-9, 15-11	8067	5-9	1011394	1-5
183	8-11, 10-3	8233	1-7, 1-9, 1-15, 4-7, 6-5, 8-3, 12-7, 12-15, 12-27	1011402	4-5
304	12-7	8248	1-7, 1-9, 6-5, 8-3, 12-27	1011411	13-3, 13-5, 13-7
324	1-15	8251	1-7, 1-9, 6-5	1011415	5-11
332	1-7, 1-9, 1-11, 1-15, 6-5, 8-11, 9-3, 12-11, 12-27	8418	1-13	1011418	4-5
334	4-7, 5-3, 5-5, 7-15	8449	12-9	1011466	4-3
357	5-9, 10-3	8450	10-3, 12-7, 12-15	1011478	16-7
451	9-3, 12-7, 12-9, 12-11, 12-15, 13-3, 13-5, 13-7, 13-9	8626	4-5	1011480	16-11
705	6-13, 7-15	8639	12-13, 12-31	1011558	12-19
706	5-9	8717	6-5, 6-7	1011578	12-13, 12-17, 12-29
808	10-3	8745	5-9	1011652	1-11
1016	12-13	8754	4-7, 5-3, 5-5, 5-7, 5-9, 5-11, 6-13	1011694	4-7
1017	12-9	8755	5-9	1011697	1-3, 5-3, 8-7, 8-9
1028	1-13, 4-5, 12-7, 12-9, 12-11, 12-15	8795	12-13	1011700	4-7
1032	4-5	8796	12-13	1011734	4-7
1035	4-3, 5-5, 5-7	8797	12-13	1011767	16-3
1218	12-19	8861	5-7	1011779	4-3, 4-5
1241	1-5, 1-13, 4-5, 4-7, 6-7, 6-13, 6-15, 12-19	8990	5-5, 12-3, 12-27	101187702	4-5, 4-7
1242	4-5, 6-7, 6-13, 12-19, 12-31	8755	5-11	1011930	5-5, 5-7
1308	5-7	1010124	5-7	1011931	12-11
1606	8-11, 12-13	1010145	5-11	1011988	8-3
1620	1-3	1010150	5-9	1011997	12-7
1624	4-7, 5-5, 5-7, 5-9	1010200	5-7	1012022	12-13
2402	5-7	1010219	5-7	1012030	5-9
4107	12-13	1010413	1-13	1012042	15-3, 15-5, 15-7
7048	5-9	1010434	1-3, 1-13	1012047	1-7, 1-9
7173	6-13, 6-15, 12-19	1010435	1-5	1012098	15-3, 15-5, 15-7, 15-9, 15-11, 15-15, 15-17
7174	5-3, 6-13, 8-9, 9-3, 12-13, 12-19, 12-31, 13-3, 13-5, 13-7, 13-9	1010521	12-13	1012101	15-3, 15-5, 15-7, 15-9, 15-15, 15-17
7251	1-5	1010543	1-11	1012151	16-7
7310	2-3	1010577	7-15	1012159	1-9
7330	11-7, 11-13, 14-3, 14-5	1010805	4-5	1012180	5-11
7335	11-5, 11-11, 14-3, 14-5	1010829	4-3	1012181	5-11
7336	14-3, 14-5	1010850	4-3	1012182	5-11
7473	1-3, 1-5, 1-13, 4-5, 4-7, 6-7, 6-13, 6-15, 12-9	1010877	4-5	1012285	6-5, 8-9, 12-11, 12-13, 12-19, 12-27, 12-31
7479	1-9, 1-13	1010878	4-5	1012295	6-7
7539	5-7	101090801	12-13, 12-17, 12-29	1012303	5-9, 5-11
7540	5-5, 5-7	1010921	1-13, 4-5	1012304	5-11
7555	5-5, 5-7	1010927	4-5	1012324	5-11
7569	5-11	1010932	4-5	1012328	6-15
7577	15-3, 15-5, 15-7, 15-9, 15-11, 15-13, 15-15, 15-17	1010933	4-5	1012333	6-5
7602	5-5, 5-7	1010934	6-15, 13-3, 13-5, 13-7, 13-9	1012353	12-9
7716	4-5, 4-7	1010954	6-5, 6-7, 11-3, 11-9	1012382	6-3
7818	1-13, 6-7	1010958	12-5, 12-13	1012412	1-7, 1-9
7847	1-3, 1-7, 9-3	1010974	5-11	1012431	6-5, 6-7
		1010984	2-3, 5-9	1012467	5-5
		1011010	12-5	1012505	6-9, 12-3
		1011014	1-5	1012528	9-3, 12-19, 12-31
		1011017	1-5	1012549	16-9
		1011019	1-3		
		1011069	12-5		

# INDEX

1012560	16-9	1013692	8-3	1014033	12-5
1012565	5-3	1013700	8-9	1014034	12-5
1012566	5-3	1013734	9-3, 12-31	1014035	12-5
1012571	7-15	1013746	8-3, 8-7	1014036	12-5
1012594	6-5	1013754	1-13	1014039	12-5
1012604	5-3	1013756	14-5	1014045	12-11
1012605	5-3	1013757	14-5	1014049	10-3
1012649	8-3	1013758	14-5	1014050	10-3
1012651	12-5	1013759	11-3, 11-9, 14-5	1014051	10-3
1012710	14-5	1013763	14-5	1014052	10-3
1012711	11-3, 11-9, 14-5	1013764	14-5	1014055	10-3
1012714	11-5, 11-11	1013765	14-5	1014056	10-3
1012740	11-5, 11-11	1013766	14-5	1014057	10-3
1012741	11-5, 11-11	1013767	14-5	1014058	10-3
1012747	11-5, 11-11	1013768	11-7, 11-13, 14-5	1014059	10-3
1012748	11-5, 11-11	1013769	11-7, 11-13, 14-5	1014062	10-3
1012752	11-3, 11-9	1013770	11-7, 11-13, 14-5	1014065	6-5, 6-7
1012809	16-9	1013771	11-7, 11-13, 14-5	1014070	10-5
1012811	16-3	1013772	11-7, 11-13, 14-5	1014072	10-5
1012812	16-3	1013773	11-7, 11-13, 14-5	1014078	10-5
1012830	6-13, 9-3	1013774	11-7, 11-13, 14-5	1014080	10-5
1012903	12-9	1013775	14-5	1014089	6-5
1012981	7-5	1013779	14-5	1014109	12-9
1012987	6-5, 12-7, 12-15	1013780	14-5	1014115	16-9
1013001	6-11	1013781	14-5	1014116	8-3
1013003	6-11	1013782	14-5	1014119	6-3
1013005	6-11	1013785	14-5	1014125	5-3
101301102	6-11	1013786	14-5	1014126	5-3
1013032	1-7, 1-9	1013787	11-7, 11-13, 14-5	1014145	6-5, 6-7
1013035	5-5	1013790	11-7, 11-13, 14-5	1014153	4-3
1013042	5-5	1013791	11-7, 11-13, 14-5	1014161	16-9
1013044	5-5	1013792	14-5	1014162	16-9
1013051	5-5	1013794	11-7, 11-13, 14-3, 14-5	1014189	12-9
1013052	5-5	1013860	12-9	1014193	11-7, 11-13, 14-5
1013061	12-9, 12-17, 12-29	1013861	5-3	1014198	1-5, 3-3, 3-5
1013092	12-5, 12-13	1013869	4-5	1014201	13-3, 13-5, 13-7, 13-9
1013164	5-11	1013870	4-5	1014207	11-7, 11-13, 14-5
1013207	4-3, 5-11	1013871	4-7	1014213	5-3
1013266	12-13	1013876	4-5	1014214	5-3
1013343	1-3	1013886	12-9	1014216	5-3
1013344	1-3	1013887	12-9	1014217	5-3
101342501	12-13	1013924	4-3, 7-15	1014235	5-7
101347501	1-5	1013935	1-13	1014253	12-9
1013494	1-3	1013971	12-11	1014259	16-9
1013496	3-5	1013998	12-9	1014264	16-9
1013531	4-5	1014000	12-9	1014276	5-9
1013582	16-3	1014003	12-9	1014287	10-3
1013587	6-5	1014007	4-7	1014288	5-3, 6-15, 12-19, 12-31
1013589	6-5, 6-7	1014010	12-9	1014289	6-11
1013590	6-5	1014012	12-11	1014304	12-13, 12-17, 12-29
1013591	6-5	1014013	12-11	1014305	16-3
1013593	16-7	1014014	12-11	1014306	1-7, 1-9
1013609	6-7	1014017	12-9	1014374	6-15
1013628	12-13	1014019	12-9	1014375	6-15
1013649	12-13	1014029	12-5	1014414	12-9
1013683	12-13, 12-17, 12-29	1014030	12-5	1014453	10-3
1013687	8-3	1014032	12-5	1014454	10-5

# INDEX

1014476	12-11	1015720	6-9	1016379	1-3
1014482	1-13	1015737	6-3, 6-7	1016384	5-9
1014496	16-5	1015741	6-7	1016385	5-7
1014497	16-5	1015752	6-7, 8-11, 12-21	1016386	5-9
1014498	16-5	1015769	6-3	1016387	5-9
1014507	16-5	1015777	6-7	1016389	5-9
1014508	16-5	1015814	9-3	101641002	16-5
1014510	16-5	101584502	8-9	101641101	16-11
1014516	12-13	1015878	6-7	101641201	16-9
1014523	8-3	1015905	15-3, 15-5, 15-7	101641202	16-3
1014524	8-3	1015906	15-3, 15-5, 15-7	1016413	16-9
1014528	12-7, 12-15	1015907	15-3	1016414	16-9
1014555	5-11	1015910	15-3, 15-5	1016415	16-9
1014645	1-3	1015911	15-3, 15-5, 15-7	1016416	16-3
1014696	15-5	1015912	15-3	1016417	16-3
1014727	6-5	1015913	15-3, 15-5, 15-7	1016418	16-7
1014728	12-11	1015914	15-3, 15-5, 15-7, 15-9, 15-15, 15-17	101642572	8-5
1014729	12-11	101591601	15-3	101642575	8-5
1014735	12-9	101591602	15-3	101642578	8-5
1014771	2-3	1015917	15-3, 15-5, 15-7, 15-9, 15-15	101642580	8-5
1014807	6-5, 6-7, 12-9	1015920	6-3, 6-13	101642582	8-5
1014808	6-7, 12-7, 12-15	1015932	6-13	1016429	7-7
1014828	12-5	1015936	15-5	1016430	7-9
1014871	12-15	1015939	15-7	1016431	7-9
1014928	8-3	1015969	7-3	1016432	7-7, 11-3, 11-9
1014947	12-19, 12-23, 12-31	1016003	8-3	101643301	15-3, 15-5, 15-7
1014948	12-13, 12-19	1016068	12-5	101643302	15-3, 15-5, 15-7
1014999	12-9	1016069	12-5	101643303	15-3, 15-5, 15-7
1015032	1-3, 1-5, 1-7, 1-9	1016070	12-5	101643401	15-5
1015064	6-5, 12-7, 12-15	1016074	6-13	1016435	7-7
1015072	12-13, 12-17, 12-29	101610901	3-5, 12-9	1016436	7-9
1015075	1-13, 9-3	101611003	16-9	1016437	8-5
1015137	8-3, 8-7	1016140	12-9	1016438	8-7
1015139	8-3	1016154	5-3	1016439	8-7
1015143	8-3	1016156	5-3	1016440	8-7
1015188	8-3	1016175	12-9	1016441	8-7
101524001	6-13	1016181	5-3	1016442	7-9
1015330	9-3	1016183	5-3	1016443	7-3
1015332	6-3, 7-3	1016201	6-5	1016444	8-7
1015345	6-7	1016203	10-3, 10-5	1016445	7-5
1015371	6-7	1016214	5-3	1016446	7-11
1015372	6-7	101621601	3-3, 3-5	1016447	7-9
1015373	6-7	1016219	5-3	1016448	7-9
1015405	6-7	1016263	5-3	1016449	7-9
1015426	8-11	1016269	5-3	1016450	7-9
101547601	3-3	1016282	15-7	1016451	7-9
1015524	16-5	1016289	10-3	1016452	7-9
1015525	1-7, 1-9	1016336	15-7	1016453	7-11
1015545	5-3	1016337	11-5, 11-11	1016454	7-11
1015583	5-9, 5-11	1016338	11-5, 11-11	1016455	7-5
1015597	5-5, 5-7, 5-9	1016341	11-3, 11-9	1016456	7-3, 7-5, 7-11
1015649	7-3	1016342	6-5	1016457	7-7
101570501	2-3	1016346	5-7	1016458	7-9, 7-11
101570507	2-3	1016349	5-7	101645901	7-13
101570509	2-3	1016350	5-7	101645902	7-13
101570513	2-3	1016353	5-7	101645903	7-13
1015707	2-3			1016460	7-13

# INDEX

101646101	7-13	1016542	7-9	1016849	6-9, 12-3
101646102	7-13	1016544	7-5, 7-9, 7-11	1016851	6-9, 12-3
101646103	7-13	1016545	7-9, 12-19	1016859	6-9, 12-3
101646201	15-7	1016546	8-9	1016868	1-5
101646401	15-3	1016547	7-3, 7-13, 8-7	1016875	1-3
1016467	7-7	1016548	7-5	1016876	1-3
1016469	7-13	1016549	7-9	1016883	6-13
1016470	7-13	101655001	7-13	1016896	12-7
1016471	7-9	101655002	7-13	1016916	1-11
1016472	7-11	101655003	7-13	101692501	1-5
1016473	7-7	101655004	7-13	101692502	1-5
1016474	7-9	101655005	7-13	101692504	1-5
101647501	7-13	101655006	7-13	101692506	1-5
101647502	7-13	101655007	7-13	101692509	1-5
1016479	7-9	101655008	7-13	101692510	1-5
1016480	8-7	101655009	7-13	101692511	1-5
101648102	8-7	1016551	16-11	101692512	1-5
101648203	7-7	1016552	16-11	101692513	1-5
1016483	7-9	1016553	16-11	101692601	1-7
1016484	7-7	1016554	16-11	101692602	1-7
1016486	8-5	1016558	7-13	101692604	1-7
1016489	7-9	1016559	7-13	101692606	1-7
101649002	8-7	1016560	7-9	101692609	1-7
1016493	7-5	1016561	7-5	101692610	1-7
1016494	7-11	1016562	7-5, 7-13	101692611	1-7
1016496	7-11	1016563	7-9	101692612	1-7
1016497	7-5	1016564	7-11	101692613	1-7
1016499	8-5	1016565	7-11	101693301	1-9
1016501	8-5	1016566	7-9	101693302	1-9
1016502	7-7	1016567	7-11	101693304	1-9
1016505	7-5	1016568	7-13	101693306	1-9
1016506	7-11	1016569	7-9	101693309	1-9
1016507	7-3	1016570	7-7	101693310	1-9
1016509	7-13	1016571	7-13	101693311	1-9
1016510	7-11	1016572	8-7	101693312	1-9
101651401	2-3	1016576	7-7	101693313	1-9
101651407	2-3	1016578	7-5	101693901	1-5
101651409	2-3	1016579	7-5	101693902	1-5
101651413	2-3	1016580	7-13	101693904	1-5
1016516	7-13	1016581	7-7	101693906	1-5
1016517	7-9	1016582	8-7	101693908	1-5
1016519	7-9	1016583	7-9	101693909	1-5
1016520	7-11	1016584	7-11	101693910	1-5
1016521	7-11	1016585	8-5	101693911	1-5
1016523	7-9	1016586	7-5	101693912	1-5
1016524	7-3	1016587	7-5	1016947	6-5
1016525	7-3	1016588	7-5	1016952	1-3
1016526	7-3	101660404	1-3	101696201	1-9
1016531	7-3	101661601	12-13	101696202	1-9
1016532	7-13	101661602	12-13	101696204	1-9
1016533	7-13	1016622	5-3	101696206	1-9
1016535	7-11	1016627	16-7	101696208	1-7
1016536	7-3	1016630	6-9	101696209	1-7
1016537	7-7	1016663	5-3	101696211	1-7
1016538	7-11	1016672	11-7, 11-13, 14-5	101696213	1-7
1016539	7-3	1016801	10-3	101696215	1-7
1016541	7-13	1016845	12-7, 12-15	101696216	1-7

# INDEX

101696217	1-9	1017952	13-3	101828802	15-9, 15-11
101696218	1-9	1017953	13-3, 13-5, 13-7	101828901	15-9, 15-15, 15-17
101696219	1-7	101795701	12-17, 12-23, 12-25, 12-29	101828902	15-9, 15-15, 15-17
101696220	1-7	1017958	13-5	101828903	15-9, 15-15, 15-17
101696221	1-7	1017961	13-5	101828904	15-11
101696222	1-9	101796201	4-7	101828905	15-11
101696223	1-9	101796501	12-17, 12-29	101828906	15-11
101696224	1-9	101796801	12-17, 12-29	101830601	6-9
1016967	1-5	101797701	12-17, 12-29	101830701	6-9, 12-3
1017029	4-5	101797702	12-17, 12-29	101831101	15-9
101706702	1-3	101797801	12-17, 12-29	101831401	12-13
1017079	1-3	101801001	12-17, 12-29	101831503	15-15
1017080	1-5	101802101	12-17, 12-29	101831504	15-15
101708301	1-3	101802201	15-9	101831701	15-15
1017141	1-7, 1-9	101802202	15-9	101831702	15-15
1017203	8-3	101802203	15-9	101831801	16-5
1017221	7-3	101802204	15-11	101831901	16-3
1017226	5-3	101802205	15-11	101832001	12-17, 12-29
1017231	11-3, 11-9	101802206	15-11	101832101	7-15
1017266	5-7	101802601	1-3, 12-3	101832202	8-9
1017273	5-3	101804301	8-11	101832302	8-9
1017327	10-5	101805701	8-11	101832701	7-15
1017378	4-7	101808401	16-3	101833001	7-15
1017380	4-7	101809101	16-5	101833201	7-15
1017424	4-7	101811401	8-11	101833401	10-5
1017448	7-5	101811501	8-11	101833601	11-3, 11-9
1017455	7-5	101811901	8-11	101833701	6-11, 6-13
1017456	7-7	101812301	8-11	101833902	10-3
1017461	8-5	101813202	16-3	101834001	10-5
1017466	8-7	101815501	4-3	101834502	6-9, 12-3
1017507	7-7	101815502	4-3	101834601	7-15
101753005	12-15	101816301	4-3	101834801	11-3, 11-9
1017653	6-11	101816501	4-3	101835601	1-15
101768202	1-3	101816502	4-3	101836201	10-5
1017686	10-5	101817401	4-7	101837101	8-11
1017689	9-3	101818801	4-7	101837301	6-3, 6-13
1017692	12-9	101819701	15-9	101838201	15-15
101769302	2-3	101820201	8-7	101838301	15-15
1017696	4-7	101821501	8-11	101838401	15-15, 15-17
1017703	14-5	101823101	16-9	101838501	15-15
1017704	14-5	101823201	4-3	101838601	15-15, 15-17
1017705	12-17, 12-29	101823301	4-3	101838701	15-15
1017748	1-7, 1-9	101823302	4-3	101840201	12-19
1017774	1-13	101823801	4-3	101850301	8-11
1017799	12-15	101823901	4-3	101851101	6-9
1017814	1-9	101824001	4-3	101855002	12-27
1017815	1-9	101824002	4-3	101855801	6-5
101791101	4-3	101824401	8-3	101856001	12-27
1017936	1-7, 1-9	101825101	3-3, 3-5	101856102	6-7
1017944	13-3, 13-5, 13-7	101826201	12-3	101856201	8-11
1017945	13-3	101826301	6-9	101859301	9-3
1017946	13-3, 13-5	101827101	7-15	101861901	4-7
1017947	13-3, 13-5, 13-7	101827801	12-19, 12-31	101862001	4-7
1017948	13-3, 13-5, 13-7	101828301	15-9	101869302	6-11
1017949	13-3, 13-5, 13-7	101828501	15-9, 15-15	101871001	16-3
1017950	13-3, 13-5, 13-7	101828601	15-9, 15-11	101871901	4-7
1017951	13-3, 13-5	101828801	15-9, 15-11	101874901	6-11

101875001	6-11	101893201	11-5, 11-11	101917701	8-11
101875101	6-11	101894901	12-17, 12-29	101920001	12-25
101875201	6-11	101895401	14-3	101920101	12-19, 12-21, 12-27, 13-7, 13-9
101875301	6-11	101895501	14-3	101921501	8-11
101875401	6-11	101895601	14-3	101922101	14-3
101875501	6-11	101895701	14-3	101922201	14-3
101875601	6-11	101895801	14-3	101922301	7-13
101875701	6-11	101895901	14-3	101922501	12-27
101875802	6-11	101896001	14-3	101922601	6-5, 11-3, 11-9
101876001	6-11	101896501	6-11	101923001	14-3
101876202	6-11	101896901	8-3	101923201	14-3
101876301	6-11	101897001	14-3	101923501	14-3
101876402	6-11	101897201	14-3	101923601	14-3
101876501	6-11	101897401	14-3	101923701	14-3
101877601	6-11	101897601	14-3	101923901	14-3
101877701	6-11	101898001	6-15	101925701	8-11
101878101	6-11	101900801	4-3, 5-11	101927101	11-3, 11-9
101878201	4-5	101900901	6-9	101927201	11-3, 11-9
101878302	5-5	101901201	12-23	101927501	11-5, 11-11
101879001	6-11	101901301	12-23	101927601	11-5, 11-11
101879401	5-5	101901401	12-23	101927901	11-5, 11-11
101879501	5-5	101901501	12-23	101928001	11-5, 11-11
101879601	5-5	101902801	12-23	101928101	11-5, 11-11
101879701	5-5	101902901	12-23	101928301	11-7, 11-13
101879801	5-5	101903001	12-23	101928701	11-3, 11-9, 14-3, 14-5, 16-7
101879901	5-5	101903101	5-9	101929801	10-3
101880001	5-5	101903501	8-9	101931501	3-5
101880101	5-5	101903601	14-3	101932401	12-27
101880201	5-5	101903701	14-3	101932501	12-27
101880301	5-5	101904101	1-7, 1-9	101932601	12-31
101881701	8-11	101905601	8-5, 8-7	101932701	12-31
101883002	12-23	101906201	14-3	101933101	16-7
101884801	7-15	101906901	14-3	101935501	12-3
101887101	16-3	101908101	12-27	101936801	12-21
101887601	7-3, 8-7	101908401	12-27	101939901	6-11
101887901	12-31	101908601	3-5	101942301	12-19, 12-27, 13-7, 13-9
101889302	6-3	101908701	12-19, 12-31	101949201	12-9
101889401	11-5, 11-11	101909201	7-5	101951501	6-5
101889901	11-5	101909301	7-5	101953001	4-5
101890001	11-5, 11-11	101909401	7-5	101953101	4-5
101890101	11-3, 11-9	101909501	7-5	101953901	7-3
101890201	11-3, 11-9	101909701	7-3	101954301	1-11
101890601	11-3, 11-9	101909901	12-19	101956201	15-17
101890901	11-7, 11-13	101909902	12-31	101956202	15-17
101891001	11-7, 11-13	101910401	1-13, 12-19, 12-31	101956502	12-31
101891301	11-3, 11-9	101910501	11-7, 11-13, 14-5	101958101	8-11
101891401	11-7, 11-13	101912401	4-7	101958201	15-17
101891501	11-7, 11-13	101914401	15-9, 15-15	101958301	15-17
101891601	11-5, 11-11	101915201	3-3	101959902	3-5
101891901	11-5, 11-11	101915401	7-11	101960501	3-3
101892001	11-5, 11-11	101915501	7-13	101960601	3-3, 3-5
101892201	11-5, 11-11	101915601	7-3	101963401	7-15
101892301	11-5, 11-11	101915701	7-5	101965201	12-19, 12-31
101892401	11-5, 11-11	101915801	7-5	101966901	4-7
101892501	11-5, 11-11	101916501	10-3	101968701	12-25
101892601	11-5, 11-11	101916701	6-13, 10-3	101971001	8-11
101892701	11-7, 11-13	101917601	8-11		

# INDEX

101971301	8-11	102101001	12-21	102266001	13-7
101972001	16-9	102101101	12-21	102266101	13-7
101972002	16-9	102155501	1-15	102266501	12-31
101972003	16-9	102162101	12-23	102266601	12-27
101972004	16-9	102169401	16-7	102266701	12-27
101972005	16-9	102174201	1-11	102267001	13-7
101972006	16-9	102174202	1-11	102273201	15-11
101972007	16-9	102174204	1-11	102273301	15-11
101972009	16-9	102174205	1-11	102273401	15-11
101972011	16-9	102186001	13-9	102273501	15-11
101972012	16-9	102186101	13-9	102273601	15-11
101972101	14-3	102186201	13-9	102273701	15-11
101972201	14-3	102186301	13-9	102273801	15-11
101972801	8-11	102186401	13-9	102273901	15-11
101973101	8-5	102186701	13-9	102274001	15-11
101973201	8-5	102186801	13-9	102278001	5-3
101973501	15-17	102186901	13-9	102292801	4-3
101975901	12-13	102187001	13-9	102304701	7-9
101976601	15-17	102187101	13-9	102310701	1-5
101978001	12-25	102187201	13-9	102323101	4-5
101978101	12-25	102196601	12-25	102323201	4-5
101978201	12-25	102198301	1-15	102327801	13-7
101979101	6-5, 12-15	102199601	12-25	102330901	16-9
101980801	11-5, 11-11	102221201	1-3, 1-7, 1-9	102336001	8-9
101980901	11-5, 11-11	102235201	13-3, 13-5, 13-7, 13-9	102336101	8-9
101981001	11-5, 11-11	102236601	1-13	102352801	5-9
101984801	5-3	102236703	1-13	102353201	5-9
101985501	1-11	102237001	1-13	102353301	5-9
101987501	15-17	102237401	13-3	102353401	5-9
101987601	1-11	102237701	13-5	102354101	5-9
101987701	8-3	102238301	1-13	102354201	5-9
101990801	4-5	102238302	1-13	102355301	6-15
101992601	6-7	102238304	1-13	102357001	14-3
101998201	1-11	102238305	1-13	102357701	5-9
101998202	1-11	102240102	13-7	102453101	11-11
101998204	1-11	102240501	12-31	102496401	15-13
101998205	1-11	102240601	12-31	102496402	15-13
101998501	1-11	102240801	12-31	102496403	15-13
102003201	8-3	102241501	16-7	102540301	7-15
102018001	12-5	102241502	16-7	102555501	16-3
102022101	4-3, 4-5	102242101	10-5	102562401	16-3
102026001	4-7	102242401	1-13	102601501	16-5
102047201	12-13	102243402	16-7	102603501	16-5
102048301	12-13	102243403	13-5, 13-7, 13-9	102605201	16-5
102060501	1-13	102248801	16-7	102606101	16-5
102060502	1-13	102249901	16-3	102607501	16-5
102060504	1-13	102250201	12-15	102607501	16-7
102060505	1-13	102251501	16-7	102668601	16-7
102061201	16-9	102251901	13-7	102668701	16-11
102061301	1-15	102259001	1-5, 3-3, 3-5	102668801	16-9
102061302	1-15	102259801	12-31	102668901	16-5
102063901	1-15	102263601	12-25, 12-31	102669001	16-5
102064601	1-15	102263701	12-31	102669101	16-9
102065501	1-15	102265501	13-7	102669201	16-5
102065901	7-15	102265601	13-7	102669301	16-9
102076701	1-13, 1-15	102265701	13-7	102669401	16-9
102099101	1-15	102265901	13-7	102669501	16-5
				102669601	16-3

# INDEX

- 102669701 16-7
  - 102669801 16-7
  - 102669901 16-7
  - 102670001 16-7
  - 102674001 16-5
  - 102674101 16-5
  - 102674201 16-5
  - 102674401 16-9
  - 102674501 16-7
  - 102674601 16-9
  - 102674701 16-7
  - 102674801 16-11
  - 102674901 16-7
  - 102675001 16-5
  - 102675101 16-5
  - 102675201 16-5
  - 102675301 16-5
  - 102675401 16-5
  - 102686101 16-3
  - 102704701 13-9
  - 102704801 13-9
  - 102704901 13-9
  - 102705001 13-9
  - 102706401 5-11
  - 102814201 15-13
  - 102814301 15-13
  - 102814401 15-13
  - 102814501 15-13
  - 102814601 15-13
  - 102814701 15-13
  - 102814702 15-13
  - 102814801 15-13
  - 102814802 15-13
  - 102814803 15-13
  - 102814901 15-13
  - 102815001 15-13
  - 102815101 15-13
  - 102815201 15-13
  - 102815301 15-13
  - 102815401 15-13
  - 102815501 15-13
  - 102815601 15-13
  - 102815701 15-13
  - 102845701 13-9
  - 727102 2-3
- A**
- ac voltage suppressor 15-17
  - accelerator pedal 4-7
  - accelerator pedal adjustment tool 16-3
  - accelerator pedal return spring cup 4-7
  - accelerator pivot rod 4-7
  - accelerator rod 4-7
  - access door 1-7, 1-9
  - accu-power charger 15-3, 15-5, 15-7
  - a-connector (starter/generator) 6-11
  - adapter
    - cable (IQDM) 16-7
  - adhesive, guide ring 16-3
  - adjuster
    - hydraulic brake 16-7
  - adjusting stud 12-9
  - air box 8-11
  - air duct 8-11
  - air duct repair kit 8-11
  - air filter 8-11
  - ammeter 15-3, 15-5, 15-7, 15-9, 15-11, 15-13, 15-15, 15-17
  - a-plate strap 5-7
  - arbor 16-3
  - arm
    - governor lever 11-3, 11-9
    - pivot 11-3, 11-9
    - rocker 7-9
    - speed switch 12-9
  - armature 6-11, 13-3, 13-5, 13-7, 13-9
  - armrest 1-11
  - assembly
    - 3-pin plug 13-7
    - 6-pin plug 12-31
    - 36-volt motor 13-3
    - 48-volt motor 13-5
    - ac voltage suppressor 15-17
    - accelerator rod 4-7
    - air box top 8-11
    - air duct 8-11
    - armature 6-11
    - axle 11-7, 11-13, 14-3, 14-5
    - axle tube 14-3, 14-5
    - bag hoop 1-13
    - bearing (steering column) 5-3
    - bell crank and shaft 6-7
    - bolt (float chamber) 8-5
    - brush rigging 13-7
    - carburetor 8-5
    - charger case 15-3, 15-5, 15-7, 15-9, 15-11, 15-15, 15-17
    - control cable 15-3, 15-5, 15-7
    - current limiter 15-17
    - cylinder head 7-9
    - delta a-plate 5-7
    - diode 12-19
    - diode with heatsink film 15-11
    - drive hub 10-3
    - driven clutch 10-5
    - eccentric 5-9
    - end shield 13-7
    - float (carburetor) 8-5
    - float chamber 8-5
    - forward/reverse shifter 6-5
    - forward/reverse switch 12-7, 12-15, 12-27
    - fuel strap, rear 8-3
    - heatsink 15-3, 15-5, 15-7, 15-9, 15-15, 15-17
    - hub and ball bearing 5-9
    - idle screw 8-5
    - lever (brake) 4-3
    - moveable face (driven clutch) 10-5
    - pilot air screw 8-5
    - resistor 12-19, 12-23, 12-31
    - rod (counterbalance) 7-13
    - screw (float chamber) 8-5
    - seat back 1-13
    - seat bottom 1-11
    - spindle 5-9
    - stator shell 13-3, 13-5, 13-7
    - steering column 5-3
    - steering gearbox 5-5
    - switch brush 12-9
    - timer 15-3, 15-5, 15-7
    - transformer 15-3, 15-5, 15-7, 15-9, 15-11, 15-15, 15-17
    - v-glide wiper switch 12-9
    - voltage regulator 6-7
    - voltage suppressor 15-9, 15-15
    - wheel and tire 2-3
    - wire 6-3, 6-7, 6-9, 6-13, 7-3, 12-5, 12-9, 12-13, 12-17, 12-23, 12-25, 12-29, 12-31, 15-11, 15-13, 15-15, 15-17
    - wire, sense lead 12-17, 12-29
  - axle 11-7, 11-13, 14-3, 14-5
  - axle shaft seal 14-3
  - axle tube 11-7, 11-13, 14-3, 14-5
  - axle tube oil seal 14-5
- B**
- backing plate (brake) 4-3
  - bag hoop 1-13
  - bag strap 1-13
  - bag strap buckle 1-13
  - bagwell protector 1-3
  - ball bearing, output shaft 6-11
  - ball joint 6-5
  - ball joint (tie rod) 5-7
  - ball joint, inner 5-5
  - ball joint, left-hand thread 5-5, 5-7
  - ball stud 6-5, 6-7
  - ball stud (shifter lever) 11-3, 11-9
  - ball stud, accelerator pedal 4-7
  - ball, steel (shift fork retainer) 11-5, 11-11
  - ball, steel, pressure relief 7-7
  - band, rpm limiter mount 7-5
  - bar, bus 12-15
  - bar, drive 12-21
  - barb, vent 8-3
  - barrel fastener 1-13
  - barrel, plastic 1-3
  - base, forward/reverse shifter 6-5
  - base, mounting 12-13



# INDEX

- basket, sweater 1-13
  - battery
    - 6-volt 12-13
    - 8-volt 12-17, 12-29
  - battery cap 12-13, 12-17, 12-29
  - battery charger, PowerDrive 15-9, 15-15, 15-17
  - battery charger, PowerDrive 2 15-11, 15-13
  - battery clamp 6-15
  - battery discharge machine 16-3
  - battery hold-down 12-13, 12-17, 12-29
  - battery terminal protector spray 16-3
  - battery thermometer 16-3
  - battery warning light 12-3
  - battery, 12-volt 6-15
  - bearing
    - ball (crankshaft) 7-11
    - ball (motor) 13-3, 13-5, 13-7, 13-9
    - ball, input shaft 11-5, 11-11
    - ball, output shaft 6-11
    - bronze 12-9
    - differential 14-3
    - idler (drive clutch) 10-3
    - inner axle tube 11-7, 11-13, 14-5
    - input gear 14-3, 14-5
    - intermediate gear 14-3, 14-5
    - lower pinion 5-5
    - needle 11-5, 11-11
    - outer axle tube 11-7, 11-13, 14-5
    - pivot support 4-7
    - plain (counterbalance rod) 7-13
    - thrust 5-9
    - upper pinion 5-5
  - bearing and oil seal remover 16-3
  - bearing driver set 16-3
  - bearing puller 16-3
  - bearing puller wedge 16-3
  - bearing retainer 13-3, 13-5, 13-7
  - bearing retainer (starter/generator) 6-11
  - bearing retainer screw 13-3, 13-5
  - bell crank 12-9
  - bell crank and shaft 6-7
  - bell crank, forward/reverse 6-5
  - belt, drive 10-3, 10-5
  - belt, starter/generator 6-13, 10-3
  - bezel, receptacle 12-13, 12-17, 12-29
  - block
    - brake pedal mounting 4-5
    - fuse 6-7
    - terminal (controller) 12-31
  - board, resistor mounting 12-11
  - body (rear) 1-7, 1-9
  - body hinge plate 1-7, 1-9
  - body keeper clip 1-7, 1-9
  - body kick plate 1-7, 1-9
  - body spacer 1-13
  - body support 1-7, 1-9
  - body, front 1-5
  - bolt, brake cluster mounting 4-3
  - bolt, j- 12-13, 12-17, 12-29
  - boot
    - dust 5-5, 5-7
    - steering column 5-3
    - tow/run switch 12-27
  - box, electrical component 6-7
  - bracket
    - adjusting (starter/generator) 6-13
    - engine shroud 7-3
    - fe290 mounting 6-13
    - fuse and receptacle mounting 12-13
    - muffler mounting 9-3
    - oil filter 7-7
    - oil level switch 7-11
    - power relay mounting 15-15
    - rpm limiter 7-5
    - snubber 7-15
    - steering column mounting 5-3
    - throttle 8-7
    - tow/run switch 12-27
    - transmission cable support 6-5, 11-3, 11-9
  - brake adjusting mechanism 4-3
  - brake adjustment tool 16-3
  - brake cable 4-3, 4-5
  - brake cable equalizer 4-5
  - brake cable hanger 4-3, 5-11
  - brake cable release tool 16-3
  - brake cluster 4-3
  - brake cluster mounting bolt 4-3
  - brake drum 4-3
  - brake pedal 4-5
  - brake pedal adjustment tool 16-3
  - brake pedal mounting block 4-5
  - brake pedal pad 4-5
  - brake pedal stop bumper 4-5
  - brake pedal tension tool 16-3
  - brake shoe 4-3
  - brake spring 4-3
  - breaker, circuit, 10-amp 15-15, 15-17
  - breaker, circuit, 15-amp 15-9, 15-11, 15-13
  - breather 14-3, 14-5
  - breather, transaxle case 11-3, 11-9
  - bronze bushing 6-5, 6-7
  - brush 6-11, 13-3, 13-5, 13-7
  - brush box assembly 13-9
  - brush connector 6-11
  - brush holder 6-11
  - brush holder screw 13-3, 13-5
  - brush inspection port cover 6-11
  - brush rigging 13-3, 13-9
  - brush spring 6-11, 12-9, 13-3, 13-5, 13-7, 13-9
  - brush, switch 12-9
  - buckle, bag strap 1-13
  - bumper
    - brake pedal stop 4-5
    - front 1-5
    - motor 13-3, 13-5, 13-7
    - rear 1-3
    - return spring 4-7
    - side guard trim 1-5
    - wiper switch 12-9
  - bus bar 12-15
  - bushing
    - bronze 5-9, 6-5, 6-7
    - drive clutch 10-3
    - insulator 13-3, 13-5, 13-7
    - stain relief 15-3, 15-15
    - steel 5-9, 5-11
    - strain relief 15-5, 15-7, 15-9, 15-11, 15-13, 15-17
    - urethane 5-7, 5-9, 5-11
  - bushing (axle) 14-5
  - buzzer, reverse 12-3
- ## C
- cable
    - accelerator, snap-in 8-9
    - brake 4-3, 4-5
    - control 15-3, 15-5, 15-7
    - governor, snap-in 8-9
    - IQDM 16-7
    - transmission 6-5
  - cable retainer 6-5
  - calibration test module 16-3
  - cam (driven clutch) 10-5
  - cam installation tool 16-3
  - cam, electrical box 6-7
  - cam, neutral lockout 6-5
  - camshaft 7-11
  - canopy 1-15
  - canopy support kit 1-15
  - cap
    - 6-volt battery 12-13
    - battery (4-port) 12-17, 12-29
    - dust 12-27
    - fuel tank 8-3
    - key switch 6-9, 12-3
    - protector 12-9
    - seat back 1-13
  - cap, hub 5-9
  - capacitor 15-3, 15-5, 15-7
  - carburetor 8-5, 8-7
  - carburetor float level tool 16-7
  - carburetor insulator 8-7
  - card, safety first 16-9
  - carrier, wiper switch arm 12-9
  - case
    - charger 15-3, 15-5, 15-7, 15-9, 15-11, 15-15, 15-17
    - forward/reverse switch 12-27

# INDEX

gear carrier 11-7, 11-13  
rocker arm 7-9  
wiper switch 12-9  
case gasket 14-5  
charger bezel tool 16-3  
charger case 15-3, 15-5, 15-7, 15-9, 15-11, 15-15, 15-17  
charger, accu-power, battery 15-3, 15-5, 15-7  
charger, PowerDrive 2 battery 15-11, 15-13  
charger, PowerDrive battery 15-9, 15-15, 15-17  
choke button 8-11  
choke valve 8-11  
choke valve o-ring 8-11  
circuit breaker (15-amp) 15-9, 15-11, 15-13  
clamp  
battery 6-15  
cable 12-13  
cable retaining 8-9  
hose (air intake) 8-11  
hose (bronze) 8-7  
hose (fuel) 8-3  
hose (gray) 8-3, 8-7  
hose (red) 8-3  
muffler 9-3  
plastic (fuel line) 8-3  
clamp (oil sending wire) 7-11  
clamp (wire) 7-5  
clamp screw 13-3, 13-5, 13-7  
clevis, upper delta 5-9  
clip 5-3  
clip, body keeper 1-7, 1-9  
cluster, brake 4-3  
clutch alignment tool 16-5  
clutch removal tool 16-3  
clutch tool kit 16-5  
clutch, drive 10-3  
clutch, driven 10-5  
coil  
field 6-11  
ignition 7-5  
resistor 12-11  
collar (axle shaft) 11-7, 11-13  
collet 7-9  
column, steering 5-3  
communication display module 16-5  
component mounting plate 12-19, 12-31  
compression gauge 16-5  
compression tester 16-5  
compressor, piston ring 16-9  
compressor, valve spring 16-11  
computer, onboard 12-19, 12-31  
connecting rod 7-13  
connecting rod alignment tool (diesel) 16-5  
connector  
4-pin 12-27

cord 7-11  
IQ controller 12-31  
continuity tester 16-5  
control cable 15-3, 15-5, 15-7  
controller, 48-volt (225-amp) 12-19  
controller, 48-volt (250-amp) 12-31  
cord connector 7-11  
cordset, AC 15-13  
cordset, ac 15-3, 15-5, 15-7, 15-9, 15-11, 15-15, 15-17  
cordset, DC 15-13  
cordset, dc 15-3, 15-5, 15-7, 15-9, 15-11, 15-15, 15-17  
counterbalance guide shaft 7-13  
counterbalance weight 7-13  
cover  
brush inspection port 6-11  
controller 12-31  
crankcase 7-11  
dust 4-3  
electrical component box 6-7  
gear case 11-7, 11-13  
oil pump 7-7  
seat back 1-13  
seat bottom 1-11  
steering column 5-3  
wiper switch case 12-9  
cover, base, battery charger 15-13  
cover, top, battery charger 15-13  
crank sleeve setter tool 16-5  
crank, bell 12-9  
crankcase 7-13  
crankcase cover 7-11  
crankshaft 7-13  
crankshaft bearing replacement tool 16-5  
crankshaft main bearing driver attachment tool 16-5  
crankshaft main bearing driver tool 16-5  
crankshaft main bearing pilot attachment tool 16-5  
crankshaft seal 7-11  
crankshaft shim 7-13  
cup, accelerator pedal return spring 4-7  
current limiter 15-17  
cutter, valve seat 16-5, 16-11  
cylinder head 7-9

## D

damper, rpm limiter 7-5  
dash panel, center 1-3  
dash, driver side 1-3  
dash, passenger side 1-3  
decal  
driver/passenger warning 3-3, 3-5  
electrical component cover 3-5, 12-31  
frame ground and governor warning 3-3  
gasoline warning 3-3

key switch 3-3, 3-5  
motor braking 3-5  
operating instructions 3-3, 3-5  
potentiometer caution 3-5  
resistor warning 3-5  
rotating parts and hot manifold warning 3-3  
tow/run switch 3-5  
wiper switch warning 12-9  
delta a-plate 5-7  
delta shock and gear support 5-7  
delta sleeve 5-7  
diesel tachometer probe 16-9  
differential bearing 14-3  
differential gear 11-7, 11-13, 14-3, 14-5  
differential gear case 11-7, 11-13, 14-5  
differential housing 14-3  
differential idler gear 11-7, 11-13, 14-3, 14-5  
differential pin 11-7, 11-13, 14-3  
diode 12-13, 12-19  
dipstick 7-3  
door, access 1-7, 1-9  
drag link, rack and pinion 5-5  
drain plug (crankcase) 7-7  
drink holder 1-3  
drive bar 12-21  
drive belt 10-3, 10-5  
drive clutch 10-3  
drive clutch button 10-3  
drive clutch fixed sheave tool 16-5  
drive clutch holder tool 16-5  
drive clutch hub puller 16-5  
drive clutch puller 16-5  
drive clutch spider removal tool 16-5  
drive hub 10-3  
driven clutch 10-5  
driven clutch cam puller 16-5  
driven clutch puller plug 16-5  
driven clutch spring compression base tool 16-5  
driven clutch spring compression collar tool 16-5  
driven clutch spring compression nut tool 16-5  
driver, drive clutch 10-3  
drum, brake 4-3  
dry moly lubricant 16-7  
dust boot 5-5, 5-7  
dust cap 12-27  
dust cover 4-3

## E

8-volt battery 12-17, 12-29  
80-amp fuse 12-13  
eccentric 5-9  
e-clip (air box top) 8-11

# INDEX

electrical box cam 6-7  
electrical component box 6-7  
emblem, IR 1-5, 3-3, 3-5  
end bell, commutator 6-11  
end bell, output shaft 6-11  
end cap  
    motor 13-9  
end shield 13-3, 13-5, 13-7  
engine shroud 7-3  
engine valve spring 7-9  
engine, fe290 ohv gasoline 7-3  
equalizer rod 4-5  
equalizer, brake cable 4-5  
exhaust gasket 9-3  
exhaust system 9-3  
exhaust valve 7-9

**F**

4-pin plug and wedge lock 12-27  
4-pin receptacle and wedge lock 12-27  
48-volt IQ motor 13-9  
48-volt motor, 3.10-hp 13-5  
48-volt motor, 3.20-hp 13-7  
48-volt solenoid 12-19, 12-31  
fan housing 7-3  
fan shroud 7-3  
fan, flywheel 7-5  
fastener, barrel 1-13  
fe290 ohv gasoline engine 7-3  
fender, inner 1-7, 1-9  
field coil (starter/generator) 6-11  
fill plug 14-3  
fill plug with gasket 14-5  
filter  
    air 8-11  
    fuel 8-3  
    oil 7-7  
fitting, grease 5-9  
fitting, thread-forming grease 5-5, 5-7  
fixed face (drive clutch) 10-3  
fixed face (driven clutch) 10-5  
float (carburetor) 8-5  
float chamber 8-5  
floor mat 1-3, 1-5, 1-7, 1-9  
flywheel 7-5  
flywheel fan 7-5  
flywheel puller 16-7  
fork, shift 11-5, 11-11  
forward/reverse bell crank 6-5  
forward/reverse handle 6-5  
forward/reverse shifter 6-5  
forward/reverse shifter base 6-5  
forward/reverse switch 12-7, 12-15, 12-27  
forward/reverse switch case 12-27  
forward/reverse switch handle 12-7, 12-15  
frame and field, motor 13-9  
front body 1-5

front spring retainer plate 5-9  
f-terminal insulator 6-11  
fuel filter 8-3  
fuel impulse pump 8-3  
fuel injection pump pressure tester tool 16-7  
fuel line 8-3  
fuel pickup tube (valve) 8-3  
fuel strap, rear 8-3  
fuel tank 8-3  
fuse  
    10-amp 6-7  
    3/8-amp 12-17, 12-29  
    30-amp 15-11  
    80-amp 12-13  
    charger 15-3, 15-5, 15-7, 15-9, 15-15,  
        15-17  
fuse block 6-7  
fuse holder 12-13, 15-13  
fuse lens 12-13  
fuse, 25-amp, type ABC 15-13

**G**

gasket  
    carburetor insulator 8-7  
    case 14-5  
    controller 12-31  
    crankcase cover 7-11  
    drain plug 7-7, 11-3, 11-9  
    exhaust 9-3  
    fe290 7-9  
    float chamber 8-5  
    head 7-9  
    insulator 8-7  
    intake pipe 8-7  
    liquid 14-3, 14-5, 16-7  
    liquid (transaxle case) 11-3, 11-9  
    oil pump 7-7  
    plug 14-3  
    rocker arm case 7-9  
    seat 1-11  
    throttle bracket 8-7  
gauge, compression 16-5  
gear  
    cluster idler 11-5, 11-11  
    differential 11-7, 11-13, 14-3, 14-5  
    differential idler 11-7, 11-13, 14-3, 14-5  
    helical (crankshaft) 7-13  
    input 11-5, 11-11  
    intermediate 14-3, 14-5  
    intermediate, small 14-5  
    output 11-7, 11-13, 14-3, 14-5  
    spur (crankshaft) 7-13  
    spur (transaxle) 11-5, 11-11  
gear case 11-3, 11-9, 14-3, 14-5  
gear yoke 16-7  
governor 11-5, 11-11  
governor guard 8-7

governor lever arm 11-3, 11-9  
governor shaft installation tool 16-7  
grease fitting 5-5, 5-7, 5-9  
grip, pencil 5-3  
grommet 7-5  
grommet, insulation 8-3  
grommet, split 12-9  
guard, governor 8-7  
guard, scuff 1-3  
guide  
    choke lever 8-11  
    oil (transaxle) 11-5, 11-11  
    steering rack 5-5  
    valve 7-9  
    valve seat cutter 16-11  
guide ring adhesive 16-3

**H**

handle  
    forward/reverse 6-5  
    forward/reverse switch 12-7, 12-15  
    GE PowerDrive battery charger 15-13  
    PowerDrive 2 15-11  
hanger, brake cable 4-3, 5-11  
hardware, terminal (starter/generator) 6-11  
harness retainer 6-9  
harness, wire 6-3, 12-23, 12-25  
head gasket 7-9  
heatsink 15-3, 15-5, 15-7, 15-9, 15-11,  
    15-13, 15-15, 15-17  
helical gear (crankshaft) 7-13  
hold-down, battery 12-13, 12-17, 12-29  
holder, drink 1-3  
holder, fuse 12-13, 15-13  
hole plug 12-3  
hose clamp 8-3  
hose clamp (bronze) 8-7  
hose clamp (gray) 8-7  
hose clamp (red) 8-3  
hose, intake 8-11  
housing  
    differential 14-3  
    fan 7-3  
    female 3-wire 13-7  
    field coil (starter/generator) 6-11  
hub, drive 10-3  
hub, synchronizer clutch 11-5, 11-11  
hydraulic brake adjuster 16-7  
hydrometer 16-7

**I**

idle gear bushing replacement tool 16-7  
idle screw 8-5  
ignition coil 7-5  
inner axle tube bearing 14-5  
inner fender 1-7, 1-9  
input gear bearing 14-3, 14-5

# INDEX

input shaft 14-3, 14-5  
input shaft oil seal 14-3, 14-5  
insert, synchronizer 11-5, 11-11  
insert, wood 1-11  
insulator bushing 13-3, 13-5  
insulator gasket 8-7  
insulator, carburetor 8-7  
insulator, f-terminal 6-11  
intake hose 8-11  
intake pipe 8-7  
intake valve 7-9  
intermediate gear 14-3, 14-5  
intermediate gear bearing 14-5  
internal retaining ring pliers 16-7  
IQ display module (IQDM) 16-7  
IR emblem 1-5, 3-3, 3-5

## J

j-bolt 12-13, 12-17, 12-29  
jet, main 8-5  
jet, pilot 8-5  
joint  
    ball 4-5, 6-5  
    ball (tie rod) 5-7  
    compound steering 5-3  
    inner ball 5-5  
    left-hand thread ball 5-5, 5-7  
    spring-loaded ball 4-7

## K

key  
    square 10-5  
    sunk 14-5  
    woodruff 6-11, 11-3, 11-9  
key (crankshaft) 7-13  
key (driven clutch) 10-5  
key (flywheel) 7-5  
key (transmission shaft) 11-5, 11-11  
key (vehicle) 6-9, 12-3  
key switch 6-9, 12-3  
key switch cap 6-9  
key switch nut 6-9, 12-3  
kingpin 5-9  
kingpin wave washer 5-9  
kit  
    2-pin plug 12-21  
    3-pin plug 12-19, 12-21, 13-7  
    3-pin plug and wedge lock 12-27  
    3-pin receptacle 12-19  
    3-pin receptacle and wedge lock 12-27  
    4-pin plug and wedge lock 12-27  
    4-pin receptacle and wedge lock 12-27  
    6-pin plug 12-31  
    6-pin receptacle 12-31  
    accelerator pivot rod 4-7  
    air duct repair 8-11

bagwell protector 1-3  
bearing and magnet 13-7  
brake cable 4-3, 4-5  
brake pedal 4-5  
brake pedal adjustment tool 16-3  
canopy support 1-15  
differential gear case 11-7, 11-13  
drink holder 1-3  
drive clutch weight 10-3  
driven clutch button 10-5  
front hub replacement 5-9  
fuel impulse pump rebuild 8-3  
fuse and receptacle 12-13, 12-17,  
    12-29  
gasket 7-9  
IQ controller connector 12-31  
IQ display module (IQDM) 16-7  
motor terminal hardware 13-9  
park brake pedal 4-5  
pulley nut and screw 6-11  
reverse buzzer 6-9  
shock absorber cushion 5-11  
shock absorber, rear 5-11  
snap washer (dash mounting) 1-3  
spring, motor brush 13-9  
steering column mounting bracket 5-3  
steering column rebuild 5-3  
tune-up 16-9  
kit, motor brush 13-9  
kit, plate, motor cover 13-9

## L

latch, park brake 4-5, 4-7  
latch, wire (air box) 8-11  
L-bracket, motor 13-9  
lead wire 7-5  
lens, fuse 12-13  
lever  
    choke 8-11  
    shifter 11-3, 11-9  
    transmission shifter 11-3, 11-9  
lever (brake) 4-3  
light, battery warning 12-3  
light, low oil warning 6-9  
limit switch 6-5, 6-7, 12-7, 12-9, 12-15  
limiter, rpm, ohv 7-5  
line, fuel 8-3  
line, vent (fuel) 8-3, 8-7  
link, rack and pinion drag 5-5  
liquid gasket 14-3, 14-5, 16-7  
lock plate 14-5  
low oil warning light 6-9  
lower pinion bearing 5-5  
lubricant, dry moly 16-7  
lubricant, moly-teflon 16-7  
lug nut 2-3  
lug stud 11-7, 11-13, 14-3, 14-5

## M

magnet 13-7  
    motor speed sensor 13-9  
magnetic plug 14-3  
main jet 8-5  
mat, floor 1-3, 1-5, 1-7, 1-9  
MCOR (motor controller output  
    regulator) 12-21  
mechanism, brake adjusting 4-3  
meter, volt ohm 16-11  
module  
    calibration test 16-3  
    communication display 16-5  
moly-teflon lubricant 16-7  
motor  
    36-volt 13-3  
    48-volt 13-5  
    48-volt IQ 13-7, 13-9  
    brush kit 13-9  
    frame and field 13-9  
    magnet, speed sensor 13-9  
motor brush spring kit 13-9  
motor bumper 13-5, 13-7  
motor end cap 13-9  
motor L-bracket 13-9  
motor terminal hardware kit 13-9  
mounting base 12-13  
mounting block, brake pedal 4-5  
mounting bracket, fuse and  
    receptacle 12-13  
mounting pad (windshield frame) 1-15  
mounting plate (engine) 7-15  
mounting plate (rear bumper) 1-3  
movable face 10-3  
moveable face (driven clutch) 10-5  
muffler clamp 9-3

## N

nameplate 1-5, 3-3, 3-5  
neutral lockout cam 6-5  
nozzle, main 8-5  
nut  
    flange lock 5-9  
nut, key switch 6-9, 12-3  
nut, lug 2-3

## O

oil filler tube 7-3  
oil filter screen 7-11  
oil level sensor 7-11  
oil pressure gauge tool 16-7  
oil pressure tester (diesel) tool 16-9  
oil pump and rotor 7-7  
oil seal (crankshaft) 7-13  
oil sending wire clamp 7-11  
onboard computer 12-19

# INDEX

o-ring (counterbalance shaft) 7-13  
o-ring (oil sending connector) 7-11  
o-ring (rocker case hardware) 7-9  
o-ring, choke valve 8-11  
o-ring, oil filter mount 7-7  
outer axle tube bearing 14-5  
output gear 14-3, 14-5

## P

package, brush 6-11, 13-3, 13-5  
pad  
    accelerator pedal 4-7  
    brake pedal 4-5  
    mounting (windshield frame) 1-15  
    park brake 4-5  
    spring 5-11  
    wear 1-3, 1-7, 1-9  
paint, touch-up 16-9  
panel, center dash 1-3  
park brake latch 4-5, 4-7  
park brake pedal 4-5  
park brake ratchet 4-7  
park brake rod sleeve 4-5  
park brake torsion spring 4-5  
pawl 4-5  
pedal  
    accelerator 4-7  
    brake 4-5  
    park brake 4-5  
pencil grip 5-3  
pilot air screw 8-5  
pilot jet 8-5  
pin  
    differential 11-7, 11-13, 14-3, 14-5  
    head locating 7-9  
    piston 7-13  
    roll (shifter lever) 11-3, 11-9  
pin (crankcase cover locating) 7-11  
pin, bow tie locking 4-5  
pin, clevis 4-5  
pinion, steering 5-5  
pipe, intake 8-7  
piston 7-13  
piston pin 7-13  
piston pin retaining ring 7-13  
piston ring compressor 16-9  
piston ring pliers 16-9  
piston ring set 7-13  
pivot arm 11-3, 11-9  
pivot support bearing 4-7  
plastic barrel 1-3  
Plastigauge tool 16-9  
plate  
    backing (brake) 4-3  
    body hinge 1-7, 1-9  
    body kick 1-7, 1-9  
    component mounting 12-19, 12-31

flywheel fan 7-5  
front spring retainer 5-9  
heatsink 15-11, 15-13  
lock 14-5  
mounting (engine) 7-15  
mounting (rear bumper) 1-3  
oil filter screen 7-11  
oil pump 7-7  
oil valve 7-9  
receptacle backing 12-17, 12-29  
scorecard 5-3  
seat hinge 1-11  
spring mounting 5-7  
thrust 11-5, 11-7, 11-11, 11-13, 14-5  
thrust (idler gear) 14-3  
pliers  
    internal retaining ring 16-7  
    piston ring 16-9  
    retaining ring 16-9  
plug  
    2-pin 12-21  
    3-pin 12-19, 12-21, 13-7  
    6-pin 12-31  
    cap 7-5  
    drain (crankcase) 7-7  
    drain (transaxle) 11-3, 11-9  
    drive clutch 10-3  
    driven clutch puller 16-5  
    fill 14-3  
    fill with gasket 14-5  
    filter bracket 7-7  
    hole 12-3  
    hole (dash board) 1-3  
    magnetic 14-3  
    spark (ohv) 7-5  
plug gasket 14-3  
pole set (starter/generator) 6-11  
positioner, choke 8-11  
power relay 15-9, 15-11, 15-15  
PowerDrive 2 battery charger 15-11, 15-13  
PowerDrive battery charger 15-9, 15-15,  
    15-17  
press weldment 16-5  
pressure relief ball 7-7  
protector cap 12-9  
protector spray, battery terminal 16-3  
protector, bagwell 1-3  
puller  
    bearing 16-3  
    clutch 16-3  
    drive clutch 16-5  
    drive clutch hub 16-5  
    driven clutch cam 16-5  
    flywheel 16-7  
    seal 16-9  
puller, special use tool 16-9  
pulley (starter/generator) 6-11

pulley nut and screw (starter/  
generator) 6-11  
pump, fuel impulse 8-3  
push rod 7-9

## R

rack, steering 5-5  
ratchet, park brake 4-7  
reamer, valve guide 16-9  
rear bumper 1-3  
rear leaf spring 5-11  
rear spring shackle 5-11  
receptacle  
    3-pin 12-19  
    6-pin 12-31  
    ac cord 15-17  
    charger, 2-prong 12-13  
receptacle (fuse) 12-13, 12-17, 12-29  
receptacle backing plate 12-17, 12-29  
receptacle bezel 12-13, 12-17, 12-29  
rectifier 15-13  
regulator, motor controller output  
    (MCOR) 12-21  
relay, 36-vdc 15-3, 15-5, 15-7  
relay, 48-VDC 15-13  
relay, 48-vdc power 15-9, 15-11, 15-15,  
    15-17  
remover, bearing and oil seal 16-3  
resistor 12-19, 12-23, 12-31  
resistor coil 12-11  
resistor coil stand-off 12-11  
resistor mounting board 12-11  
resistor shield 12-11  
retainer  
    bearing 13-3, 13-5, 13-7  
    bearing (starter/generator) 6-11  
    cable 6-5  
    harness 6-9  
    shock absorber cushion 5-11  
    spiral ring 10-3  
    spring 4-7, 10-3  
    valve spring 7-9  
retaining ring (driven clutch) 10-5  
retaining ring pliers 16-9  
return spring bumper 4-7  
reverse buzzer 6-9, 12-3  
rigging, brush 13-3, 13-5, 13-7  
rim, tire 2-3  
ring  
    c-type stop 5-5  
    piston (set) 7-13  
    piston pin retaining 7-13  
    retaining (driven clutch) 10-5  
    retaining (steering column) 5-3  
    retaining (steering gear box) 5-5  
    snap 5-5, 11-3, 11-9  
    spiral back-up 10-3

# INDEX

synchronizer 11-5, 11-11  
rivet, blind 1-5  
rocker arm 7-9  
rocker arm case 7-9  
rocker arm shaft 7-9  
rod  
    accelerator 4-7  
    accelerator pivot 4-7  
    connecting 7-13  
    equalizer 4-5  
    push 7-9  
    shift 11-5, 11-11  
    tie 5-7  
rod (counterbalance) 7-13  
rod and pawl 4-5  
rpm limiter bracket 7-5  
rpm limiter damper 7-5  
rpm limiter mount band 7-5  
rpm, ohv limiter 7-5

## S

6-pin plug 12-31  
6-pin receptacle 12-31  
6-volt battery 12-13  
safety first card 16-9  
scorecard 5-3  
scorecard clip 5-3  
scorecard plate 5-3  
screen, oil filter 7-11  
screw  
    bearing retainer 13-3, 13-5, 13-7  
    brush holder 13-3, 13-5  
    clamp 13-3, 13-5, 13-7  
    idle 8-5  
    pilot air 8-5  
    pole piece (starter/generator) 6-11  
screw, valve clearance adjuster 16-9  
scuff guard 1-3  
seal  
    axle tube oil 14-5  
    crankshaft 7-11  
    dust (steering gear box) 5-5  
    dust, steering pinion 5-5  
    input shaft oil 14-5  
    intake (air box) 8-11  
    oil (axle shaft) 11-7, 11-13  
    oil (crankshaft) 7-13  
    oil (governor pivot) 11-3, 11-9  
    oil (shifter shaft) 11-3, 11-9  
    oil, axle shaft 14-3  
    oil, input shaft 11-5, 11-11, 14-3  
    valve 7-9  
seal puller 16-9  
seat  
    bearing 5-3  
    spring 7-9  
    valve 7-7

seat back 1-13  
seat back support 1-13  
seat bottom 1-11  
seat bottom cover 1-11  
seat hinge plate 1-11  
sensor, motor speed 13-7, 13-9  
sensor, oil level 7-11  
set, pole 6-11  
shackle, rear spring 5-11  
shaft  
    counterbalance guide 7-13  
    input 11-5, 11-11, 14-3, 14-5  
    rocker arm 7-9  
    shifter 11-3, 11-9  
    steering column 5-3  
shield, end 13-3, 13-5, 13-7  
shield, resistor 12-11  
shift fork 11-5, 11-11  
shift rod 11-5, 11-11  
shifter lever 11-3, 11-9  
shifter shaft 11-3, 11-9  
shifter, forward/reverse 6-5  
shim (axle) 14-5  
shim, crankshaft 7-13  
shim, wiper switch 12-9  
shock absorber 5-7  
shock absorber cushion 5-11  
shock absorber cushion retainer 5-11  
shock absorber, rear 5-11  
shoe retainer 4-3  
shoe, brake 4-3  
shroud, engine 7-3  
shroud, fan 7-3  
side guard trim bumper 1-5  
sleeve  
    delta 5-7  
    park brake rod 4-5  
    synchronizer 11-5, 11-11  
sleeve (transaxle) 11-5, 11-11  
slide switch, 4-position 15-15, 15-17  
small intermediate gear 14-5  
snap ring 5-5  
snubber 7-15, 12-13  
snubber bracket 7-15  
solenoid  
    12-volt 6-7  
    36-volt 12-13  
    48-volt 12-19, 12-31  
spacer  
    1/2 (fender mounting) 1-9  
    1-7/8 (fender mounting) 1-9  
    battery terminal bolt 6-15  
    body 1-13  
    fixed face shaft 10-3  
    nylon (sweater basket) 1-13  
    park brake 4-5  
spacer (accelerator pivot rod) 4-7

spacer (crankshaft) 7-13  
spacer (engine) 7-15  
spanner wrench 16-9  
spark plug (ohv) 7-5  
speed switch arm 12-9  
spindle 5-9  
spray, battery terminal protector 16-3  
spring  
    accelerator pedal retainer 4-7  
    brake shoe 4-3  
    brush 6-11, 13-3, 13-5, 13-7  
    compression 5-3  
    compression (choke button) 8-11  
    drive button 10-3  
    drive clutch 10-3  
    engine valve 7-9  
    forward/reverse cam 6-5  
    oil pressure relief 7-7  
    park brake torsion 4-5  
    rear leaf 5-11  
    return 4-7  
    return (air box) 8-11  
    shift fork retainer 11-5, 11-11  
    synchronizer 11-5, 11-11  
    tapered compression 5-3  
    tapered leaf 5-9  
    throttle return 8-7  
    wiper switch brush 12-9  
    yoke 5-5  
spring mounting plate 5-7  
spring seat 7-9  
spring, brush 13-9  
spur gear (crankshaft) 7-13  
stain relief bushing 15-3  
stand-off, resistor coil 12-11  
starter/generator 6-11, 6-13  
stator shell 13-3, 13-5, 13-7  
steel bushing 5-9, 5-11  
steering column 5-3  
steering column bearing press tool 16-9  
steering column mounting bracket 5-3  
steering column retaining ring tool 16-9  
steering column shaft 5-3  
steering gearbox 5-5  
steering wheel 5-3  
steering wheel puller tool 16-9  
stem, valve 2-3  
stiffener, flywheel side 7-15  
strap  
    a-plate 5-7  
    bag 1-13  
    rear fuel 8-3  
stud  
    ball 4-7, 6-5, 6-7, 11-3, 11-9  
    lug 11-7, 11-13, 14-3, 14-5  
    short ball 12-9  
    wiper switch adjusting 12-9

# INDEX

stud (engine mounting) 7-15  
stud, lug 5-9  
sunk key 14-5  
support  
    accelerator pivot rod 4-7  
    body 1-7, 1-9  
    canopy 1-15  
    delta shock and gear 5-7  
    seat back 1-13  
sweater basket 1-13  
switch  
    4-position slide 15-15, 15-17  
    brush 12-9  
    forward/reverse 12-7, 12-15, 12-27  
    key 6-9, 12-3  
    limit 6-5, 6-7, 12-7, 12-9, 12-15  
    limit sealed 12-15  
    tow/run 12-27  
    v-glide wiper 12-9  
synchronizer clutch hub 11-5, 11-11  
synchronizer ring 11-5, 11-11  
system, exhaust 9-3

## T

12-volt battery 6-15  
2-pin plug 12-21  
2-prong charger receptacle 12-13  
3-pin plug 12-19, 12-21, 13-7  
3-pin plug and wedge lock 12-27  
3-pin receptacle 12-19  
3-pin receptacle and wedge lock 12-27  
3/8-amp fuse 12-17, 12-29  
30-amp fuse 15-11  
36-volt motor, 2.97-hp 13-3  
36-volt solenoid 12-13  
10-amp fuse 6-7  
12-volt solenoid 6-7  
tachometer 16-9  
tachometer probe, diesel 16-9  
tapered compression spring 5-3  
tapered leaf spring 5-9  
tappet 7-11  
terminal block (controller) 12-31  
terminal hardware (starter/generator) 6-11  
tester, continuity 16-5  
thermometer, battery 16-3  
throttle bracket 8-7  
throttle return spring 8-7  
thrust bearing 5-9  
thrust plate (differential) 14-5  
tie rod 5-7  
tie, wire 5-5, 12-3, 12-13, 12-27, 12-31  
timer 15-5, 15-7  
tire 2-3  
t-nut, slab base 1-5  
tool  
    accelerator pedal adjustment 16-3

brake adjustment 16-3  
brake cable release 16-3  
brake pedal adjustment 16-3  
brake pedal tension 16-3  
cam installation 16-3  
carburetor float level 16-7  
charger bezel 16-3  
clutch alignment 16-5  
connecting rod alignment 16-5  
crank sleeve setter 16-5  
crankshaft bearing replacement 16-5  
crankshaft main bearing driver 16-5  
crankshaft main bearing driver attachment 16-5  
crankshaft main bearing pilot attachment 16-5  
drive clutch fixed sheave 16-5  
drive clutch holder 16-5  
drive clutch spider removal 16-5  
driven clutch spring compression base 16-5  
driven clutch spring compression collar 16-5  
driven clutch spring compression nut 16-5  
fuel injection pump pressure tester 16-7  
governor shaft installation 16-7  
idle gear replacement 16-7  
oil pressure gauge 16-7  
oil pressure tester 16-9  
Plastigauge 16-9  
puller, special use 16-9  
steering column bearing press 16-9  
steering column retaining ring 16-9  
steering wheel puller 16-9  
transaxle axle seal 16-9  
transaxle pinion seal 16-9  
transmission 16-9  
valve clearance adjustment 16-11  
valve guide driver 16-9  
valve guide replacement 16-9

tool kit, clutch 16-5  
top, air box 8-11  
touch-up paint 16-9  
tow/run switch 12-27  
transaxle 14-3, 14-5  
transaxle axle seal tool 16-9  
transaxle pinion seal tool 16-9  
transaxle, unitized 11-3, 11-9  
transformer 15-3, 15-5, 15-7, 15-9, 15-11, 15-13, 15-15, 15-17  
transmission cable 6-5  
transmission tool 16-9  
trim, front body 1-5  
tube  
    axle 11-7, 11-13  
    crankcase vent 8-7  
    oil filler 7-3

tune-up kit 16-9

## U

u-bolt 5-11  
unitized transaxle 11-3, 11-9  
upper pinion bearing 5-5  
urethane bushing 5-7, 5-9, 5-11

## V

valve  
    choke 8-11  
    exhaust 7-9  
    fuel pickup tube 8-3  
    intake 7-9  
    oil 7-9  
valve clearance adjuster screw 16-9  
valve clearance adjustment wrench 16-11  
valve guide 7-9  
valve guide driver tool 16-9  
valve guide reamer 16-9  
valve guide replacement tool 16-9  
valve seal 7-9  
valve seat 7-7  
valve seat cutter 16-5, 16-11  
valve seat cutter guide 16-11  
valve seat t-wrench 16-11  
valve spring compressor 16-11  
valve spring retainer 7-9  
valve spring, engine 7-9  
valve, stem 2-3  
vent barb 8-3  
vent line (fuel) 8-3, 8-7  
vent, fuel tank 8-3  
v-glide wiper switch 12-9  
volt ohm meter 16-11  
voltage regulator 6-7  
voltage suppressor 15-9, 15-15

## W

warning light, low oil 6-9  
washer  
    key switch 12-3  
    kingpin wave 5-9  
    mounting 10-3, 10-5  
    snap washer kit (dash mounting) 1-3  
    spring 11-5, 11-11  
    thrust (transaxle) 11-5, 11-11  
    wave 6-5  
wear pad 1-3, 1-7, 1-9  
wedge (steering column) 5-3  
wedge, bearing puller 16-3  
weight, counterbalance 7-13  
weight, drive clutch 10-3  
weldment, press 16-5  
wheel 2-3  
wheel rim 2-3

# INDEX

wheel, steering 5-3  
windshield frame 1-15  
wiper switch arm carrier 12-9  
wiper switch bumper 12-9  
wiper switch case 12-9  
wiper switch shim 12-9  
wiper switch, v-glide 12-9  
wire and terminal 12-31  
wire assembly 6-3, 6-7, 6-9, 6-13, 7-3,  
12-5, 12-9, 12-13, 12-17, 12-23, 12-25,  
12-29, 12-31, 15-9, 15-11, 15-13, 15-15,  
15-17  
wire assembly, forward/reverse  
switch 12-27  
wire assembly, IQDM port 12-27  
wire assembly, sense lead 12-17, 12-29  
wire clamp 7-5  
wire harness 6-3, 12-23, 12-25  
wire terminal 12-19  
wire tie 5-5, 12-3, 12-13, 12-27, 12-31  
wire, jumper 15-17  
wire, lead 7-5  
wood insert 1-11  
woodruff key 6-11, 11-3, 11-9  
wrench, spanner 16-9

## Y

yoke spring 5-5  
yoke, gear 16-7

## Z

z-bracket 12-31











**Club Car, Inc.**  
P.O. Box 204658  
Augusta, GA 30917-4658  
USA

**Web** [www.clubcar.com](http://www.clubcar.com)  
**Phone** 1.706.863.3000  
1.800.ClubCar  
**Int'l** +1 706.863.3000  
**Fax** 1.706.863.5808