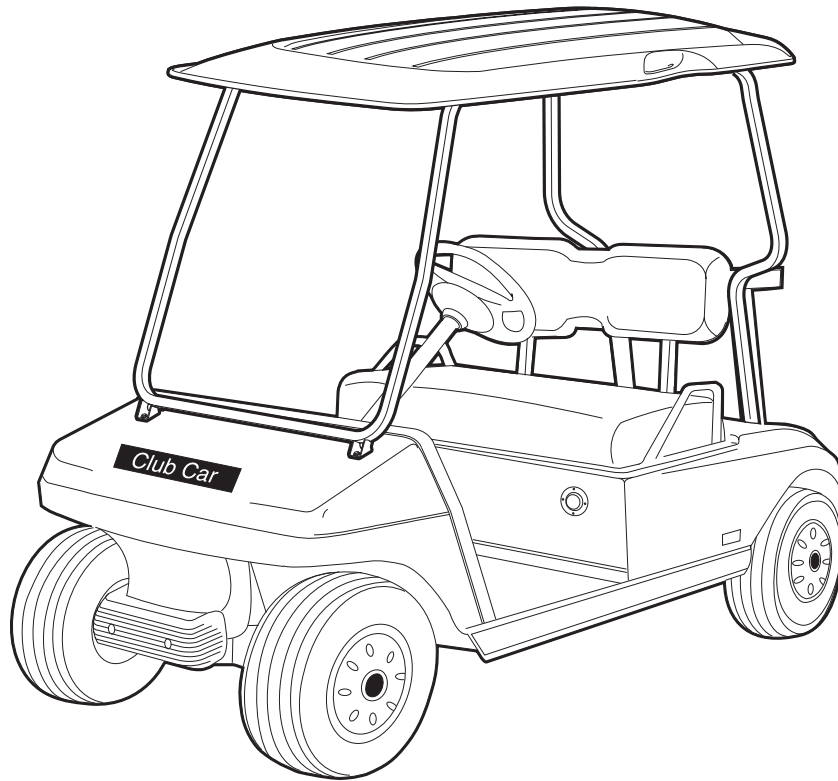




**2009-2011  
DS Golf Cars  
Illustrated Parts List**



**Gasoline and Electric**

Manual Number 103472602  
Edition Code 0508F0810E



# USING THE ILLUSTRATED PARTS LIST

---

## **⚠ WARNING**

- **This manual is to be used only for identification and ordering of service parts. Be sure to read and use the maintenance and service manual before attempting any vehicle repairs.**

This manual covers all 2009-2011 DS golf cars.

The manual is divided into sections. Note that there are two or three flags on the outside edge of each page. The first flag contains the section number of which that page is a part. The other flag (or flags) contains the letter G or E, signifying that the page pertains to the electric or gasoline vehicles only.

Use the Table of Contents to find the sections and pages that contain the parts and assemblies you seek. The Table of Contents lists section numbers, and under them, the individual page titles and numbers to be found in that section. The index can be used to find specific parts and assemblies.

There is a two-page spread for each individual page title in the Table of Contents. On the left-hand page is an illustration showing the parts in their relative positions; the parts are each tagged with an item number in a balloon. The right-hand page is the parts list page, and gives the page title at the top, then the item numbers (corresponding to the numbers on the illustration), part descriptions, and quantity of parts used.

Note that a part description may be indented. This indentation corresponds to a parts assembly level indicated by the numbers 1, 2, 3, and 4 at the top left corner of the parts description area of the parts list page. A part that is indented to *level 2* is a component of the *level 1* part (assembly) that it is listed under. A *level 3* part is a component of the *level 2* part that it is listed under, and a *level 4* part is a component of the *level 3* part preceding it. In each case, the part quantity given for a level 2, 3, or 4 part is the quantity used per next higher level assembly of which it is a component. A part that is not indented is a *level 1* part. This means that the quantity given is the quantity used per the portion of the vehicle illustrated on that particular spread.

## **HOW TO ORDER PARTS**

Replacement parts and accessories can be obtained from our network of authorized dealers and distributors. You can obtain the name and phone number of your closest authorized Club Car dealer or distributor by visiting our web site at [www.clubcar.com](http://www.clubcar.com) and clicking on the "Distributor Search" link or by calling our toll-free Service Parts and Technical Assistance hotline at (800) 872-2246 or (706) 863-3000, extension 3887.



**P. O. Box 204658**  
**Augusta, Georgia 30917-4658 USA**  
**Telephone 706-863-3000**  
**Service Parts Fax 706-855-7413**  
**[www.clubcar.com](http://www.clubcar.com)**

**NOTE:** *This illustrated parts list represents the most current information at the time of publication. Club Car, LLC. is continually working to further improve its vehicles and other products. These improvements may affect the parts used to service the vehicle. Any modification and/or significant change in specifications will be forwarded to all Club Car and Carryall distributors/dealers and will, when applicable, appear in future editions of this illustrated parts list.*

*Club Car, LLC. reserves the right to change specifications and designs at any time without notice and without the obligation of making changes to units previously sold.*

Copyright © 2010 Club Car, LLC.  
*Club Car* and *ArmorFlex*  
are registered trademarks of Club Car, LLC.  
This manual effective August 1, 2010.

*2009-2011 DS Golf Cars Illustrated Parts List*

# CONTENTS

---

## SECTION 1 – BODY AND TRIM

---

|                                               |      |
|-----------------------------------------------|------|
| Front Body .....                              | 1-3  |
| Rear Body Trim .....                          | 1-5  |
| Dash Components .....                         | 1-7  |
| Beverage Holder .....                         | 1-9  |
| Front Seat Bottom and Armrests .....          | 1-11 |
| Rear Body and Fender – Gasoline Vehicle ..... | 1-13 |
| Rear Body and Fender – Electric Vehicle ..... | 1-15 |
| Seat Back and Bag Hoop .....                  | 1-17 |
| Canopy .....                                  | 1-19 |
| Rear Access Door .....                        | 1-21 |
| Scuff Guard and Bagwell Protector Kits .....  | 1-23 |

---

## SECTION 2 – WHEELS AND TIRES

---

|                        |     |
|------------------------|-----|
| Wheels and Tires ..... | 2-3 |
|------------------------|-----|

---

## SECTION 3 – DECALS

---

|                                 |     |
|---------------------------------|-----|
| Decals – Gasoline Vehicle ..... | 3-3 |
| Decals – Electric Vehicle ..... | 3-5 |

---

## SECTION 4 – BRAKES, PEDAL, AND CABLE ASSEMBLIES

---

|                                                      |      |
|------------------------------------------------------|------|
| Rear Brake Assembly, Self-Adjusting .....            | 4-3  |
| Brake Pedal Assembly .....                           | 4-5  |
| Brake Cable, Equalizer, and Equalizer Rod .....      | 4-7  |
| Accelerator Pedal Assembly – Gasoline Vehicle .....  | 4-9  |
| Accelerator Pedal Assembly – Electric Vehicles ..... | 4-11 |
| Accelerator Rod .....                                | 4-13 |

---

## SECTION 5 – STEERING, FRONT AND REAR SUSPENSION

---

|                                          |      |
|------------------------------------------|------|
| Steering Column .....                    | 5-3  |
| Steering Wheel .....                     | 5-5  |
| Front Suspension, Upper .....            | 5-7  |
| Front Suspension, Lower .....            | 5-9  |
| Front Spindles and Hubs .....            | 5-11 |
| Rear Suspension – Gasoline Vehicle ..... | 5-13 |
| Rear Suspension – Electric Vehicle ..... | 5-15 |
| Steering Gear Assembly .....             | 5-17 |

# CONTENTS

---

## SECTION 6 – ELECTRICAL SYSTEM – GASOLINE VEHICLE

---

|                                                                        |      |
|------------------------------------------------------------------------|------|
| Wiring .....                                                           | 6-5  |
| Electrical Component Box – Gasoline Vehicle .....                      | 6-7  |
| Electrical Components, Front Body – Gasoline Vehicle .....             | 6-9  |
| Starter/Generator Assembly Model G425419 – Gasoline Vehicles .....     | 6-11 |
| Starter/Generator Assembly Model 114-01-4005 – Gasoline Vehicles ..... | 6-13 |
| FE290 Starter/Generator Mounting .....                                 | 6-15 |
| Battery – Gasoline Vehicle .....                                       | 6-17 |

---

## SECTION 7 – FE290 ENGINE

---

|                                                          |      |
|----------------------------------------------------------|------|
| FE290 Engine – Shrouds and Brackets .....                | 7-3  |
| FE290 Engine – Ignition Components and Flywheel .....    | 7-5  |
| FE290 Engine – Oil Circulation .....                     | 7-7  |
| FE290 Engine – Cylinder Head .....                       | 7-9  |
| FE290 Engine – Crankcase, Camshaft, and Oil Sensor ..... | 7-11 |
| FE290 Engine – Crankcase and Crankshaft .....            | 7-13 |
| FE290 Engine Mounting .....                              | 7-15 |

---

## SECTION 8 – FUEL, INTAKE, AND GOVERNOR SYSTEMS

---

|                                       |      |
|---------------------------------------|------|
| Carburetor Assembly – FE290 .....     | 8-3  |
| Carburetor Installation – FE290 ..... | 8-5  |
| Governor and Accelerator Cables ..... | 8-7  |
| Air Box and Intake Hose .....         | 8-9  |
| Intake System .....                   | 8-11 |
| Fuel System .....                     | 8-13 |

---

## SECTION 9 – EXHAUST SYSTEM

---

|                                     |     |
|-------------------------------------|-----|
| Exhaust System – FE290 Engine ..... | 9-3 |
|-------------------------------------|-----|

---

## SECTION 10 – TORQUE CONVERTER

---

|                          |      |
|--------------------------|------|
| Drive Clutch .....       | 10-3 |
| Drive Belt – FE290 ..... | 10-5 |
| Driven Clutch .....      | 10-7 |

---

## SECTION 11 – TRANSAXLE – GASOLINE VEHICLE

---

|                                                                      |      |
|----------------------------------------------------------------------|------|
| Transaxle – Gasoline Vehicles, Gear Cases and Brackets .....         | 11-3 |
| Transaxle – Gasoline Vehicles, Transmission and Gear Reduction ..... | 11-5 |

# CONTENTS

---

|                                                             |       |
|-------------------------------------------------------------|-------|
| Transaxle – Gasoline Vehicles, Differential and Axles ..... | 11-7  |
| Forward/Reverse Shifter Assembly – Gasoline Vehicles .....  | 11-9  |
| Forward/Reverse Shifter Cable – Gasoline Vehicles .....     | 11-11 |

## **SECTION 12 – ELECTRICAL SYSTEM – ELECTRIC VEHICLE**

---

|                                                        |       |
|--------------------------------------------------------|-------|
| Wiring .....                                           | 12-5  |
| Instrument Panel Components .....                      | 12-7  |
| Motor Controller Output Regulator (MCOR) .....         | 12-9  |
| Battery Charger Receptacle .....                       | 12-11 |
| Batteries, Electric Vehicle .....                      | 12-13 |
| OBC, Controller, and Solenoid – Electric Vehicle ..... | 12-15 |
| Forward/Reverse Switch, Tow/Run Switch .....           | 12-17 |

## **SECTION 13 – ELECTRIC MOTOR**

---

|                                                     |      |
|-----------------------------------------------------|------|
| Motor (Model 5BC59JBS6390) – Electric Vehicle ..... | 13-3 |
| Motor (Model EJ4-4001) – Electric Vehicle .....     | 13-5 |
| Motor (Model EJ8-4001A) – Electric Vehicle .....    | 13-7 |

## **SECTION 14 – TRANSAXLE – ELECTRIC VEHICLES**

---

|                                     |      |
|-------------------------------------|------|
| Transaxle – Electric Vehicles ..... | 14-3 |
|-------------------------------------|------|

## **SECTION 15 – BATTERY CHARGER**

---

|                                                            |       |
|------------------------------------------------------------|-------|
| PowerDrive 3 Battery Charger, Domestic .....               | 15-3  |
| PowerDrive 2 Battery Charger (Model 22110), Domestic ..... | 15-5  |
| PowerDrive Battery Charger (Model 17930), Domestic .....   | 15-7  |
| PowerDrive Battery Charger (Model 18780), Export .....     | 15-9  |
| PowerDrive Battery Charger (Model 20310), European .....   | 15-11 |

## **SECTION 16 – MAINTENANCE AND SERVICE TOOLS**

---

|                                                |       |
|------------------------------------------------|-------|
| Maintenance and Service Tools .....            | 16-3  |
| Maintenance and Service Tools, Continued ..... | 16-5  |
| Maintenance and Service Tools, Continued ..... | 16-7  |
| Maintenance and Service Tools, Continued ..... | 16-9  |
| Maintenance and Service Tools, Continued ..... | 16-11 |

## **SECTION i – INDEX**

---





# BODY AND TRIM

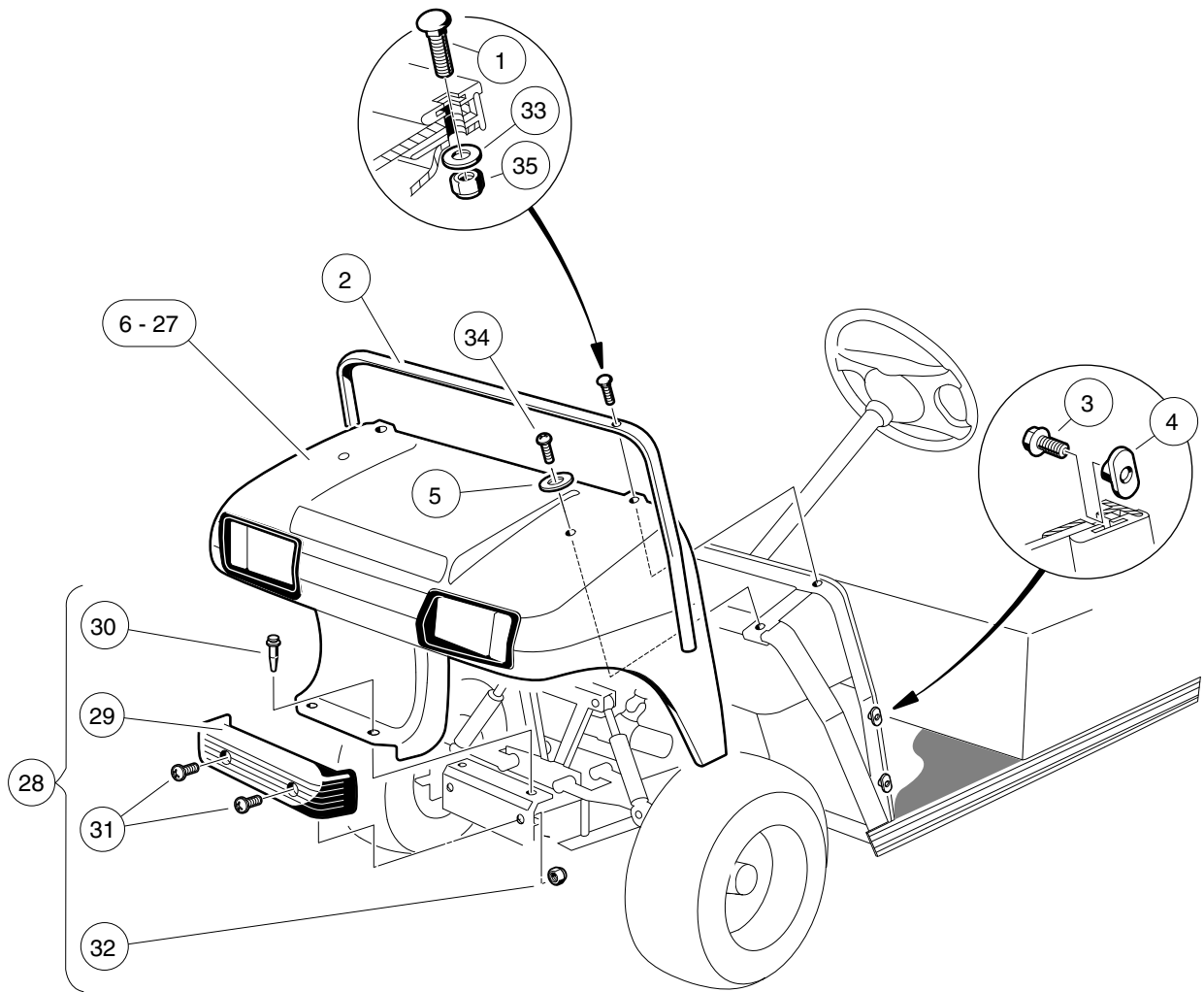
---

1

G

E

**1**  
**G**  
**E**

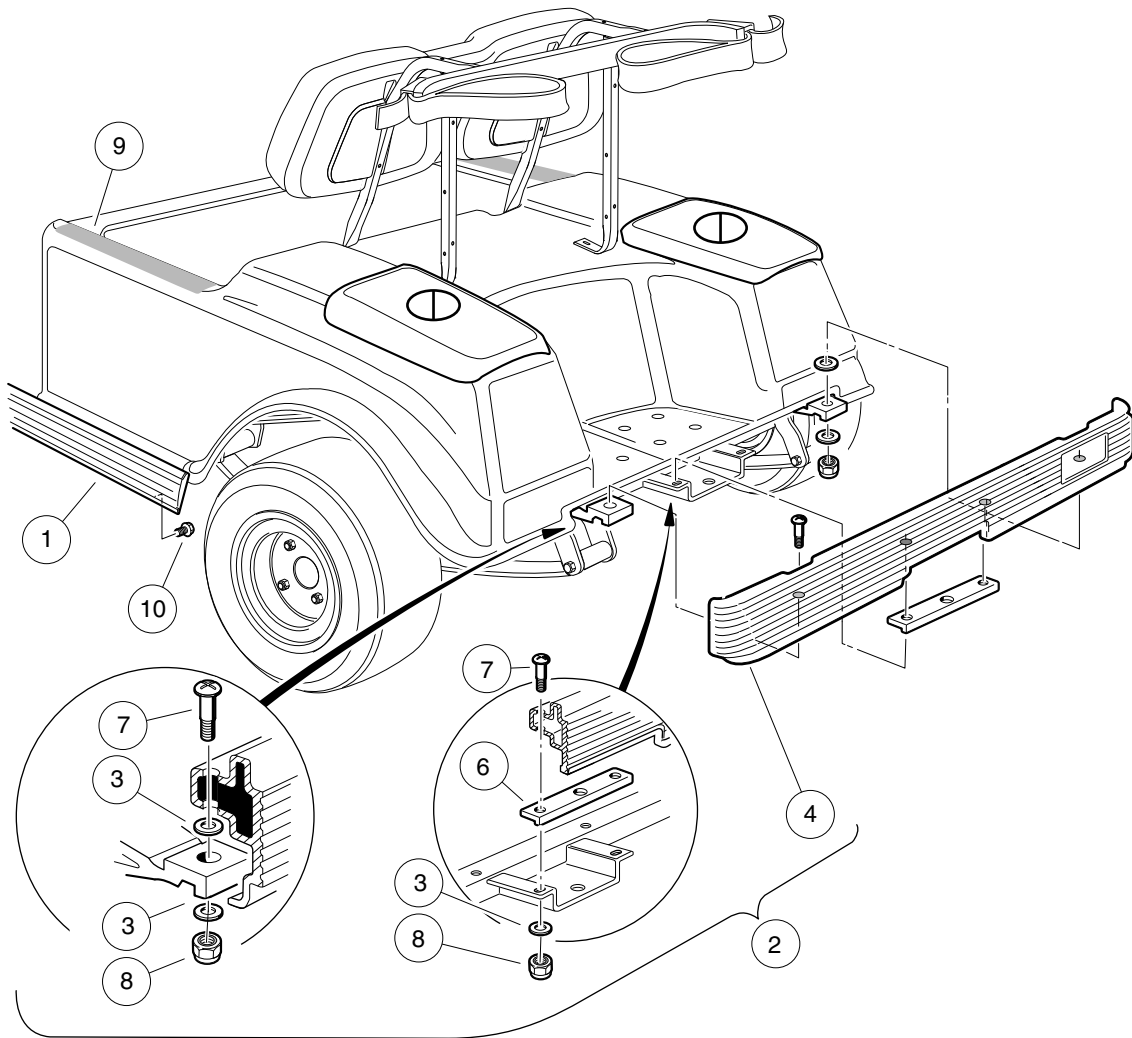


000249-002

# FRONT BODY

| ITEM | PART NO.  | DESCRIPTION                                                       | QTY |
|------|-----------|-------------------------------------------------------------------|-----|
|      |           | <b>1 2 3 4</b>                                                    |     |
| 1    | 1010435   | Bolt, Carriage, 5/16-18 X 1.00 .....                              | 2   |
| 2    | 1011014   | Trim, Cowl .....                                                  | 1   |
| 3    | 1011017   | Screw, #8-32 X 0.375 .....                                        | 6   |
| 4    | 1011394   | T-Nut Package (Set of 4) .....                                    | 1   |
| 5    | 1015075   | Washer, 5/16 Flat Type A .....                                    | 2   |
| 6    | 101692501 | Cowl, TPO, Beige .....                                            | 1   |
| 7    | 101692502 | Cowl, TPO, White .....                                            | 1   |
| 8    | 101692504 | Cowl, Tpo -gray .....                                             | 1   |
| 9    | 101692506 | Cowl, TPO, Red .....                                              | 1   |
| 10   | 101692509 | Cowl, TPO, Pacific Blue (Royal Blue) .....                        | 1   |
| 11   | 101692510 | Cowl, TPO, Dark Green .....                                       | 1   |
| 12   | 101692511 | Cowl, TPO, Black .....                                            | 1   |
| 13   | 101692512 | Cowl, TPO, Classic Blue (Navy) .....                              | 1   |
| 14   | 101692513 | Cowl, TPO, Burgundy .....                                         | 1   |
| 15   | 101692514 | Cowl, TPO, Dark Gray .....                                        | 1   |
| 16   | 101692515 | Cowl, TPO, Safety Yellow .....                                    | 1   |
| 17   | 101693901 | Cowl with Headlight Opening, TPO, Beige .....                     | 1   |
| 18   | 101693902 | Cowl with Headlight Opening, TPO, White .....                     | 1   |
| 19   | 101693904 | Cowl with Headlight Opening, TPO, Gray .....                      | 1   |
| 20   | 101693906 | Cowl with Headlight Opening, TPO, Red .....                       | 1   |
| 21   | 101693908 | Cowl with Headlight Opening, TPO, Pacific Blue (Royal Blue) ..... | 1   |
| 22   | 101693909 | Cowl with Headlight Opening, TPO, Dark Green .....                | 1   |
| 23   | 101693910 | Cowl with Headlight Opening, TPO, Black .....                     | 1   |
| 24   | 101693911 | Cowl with Headlight Opening, TPO, Classic Blue (Navy) .....       | 1   |
| 25   | 101693912 | Cowl with Headlight Opening, TPO, Burgundy .....                  | 1   |
| 26   | 101693913 | Cowl with Headlight Opening, TPO, Dark Gray .....                 | 1   |
| 27   | N/A       | Cowl with Headlight Opening, TPO, Safety Yellow .....             | 1   |
| 28   | 1017080   | Kit, Front Bumper (includes items 29 through 32) .....            | 1   |
| 29   | 1016868   | Front Bumper .....                                                | 1   |
| 30   | 1016967   | Blind Rivet, Push Type .....                                      | 2   |
| 31   | 7251      | Screw, 5/16-18 x 1.0 Truss-Head .....                             | 2   |
| 32   | 7473      | Locknut, 5/16-18 Nylon Insert .....                               | 2   |
| 33   | 1241      | Washer, 5/16 Type A Flat .....                                    | 2   |
| 34   | 7251      | Screw, 5/16-18 x 1.0 Truss-Head .....                             | 2   |
| 35   | 7473      | Locknut, 5/16-18 Nylon Insert .....                               | 2   |

**1**  
**G**  
**E**



000451-001

# REAR BODY TRIM

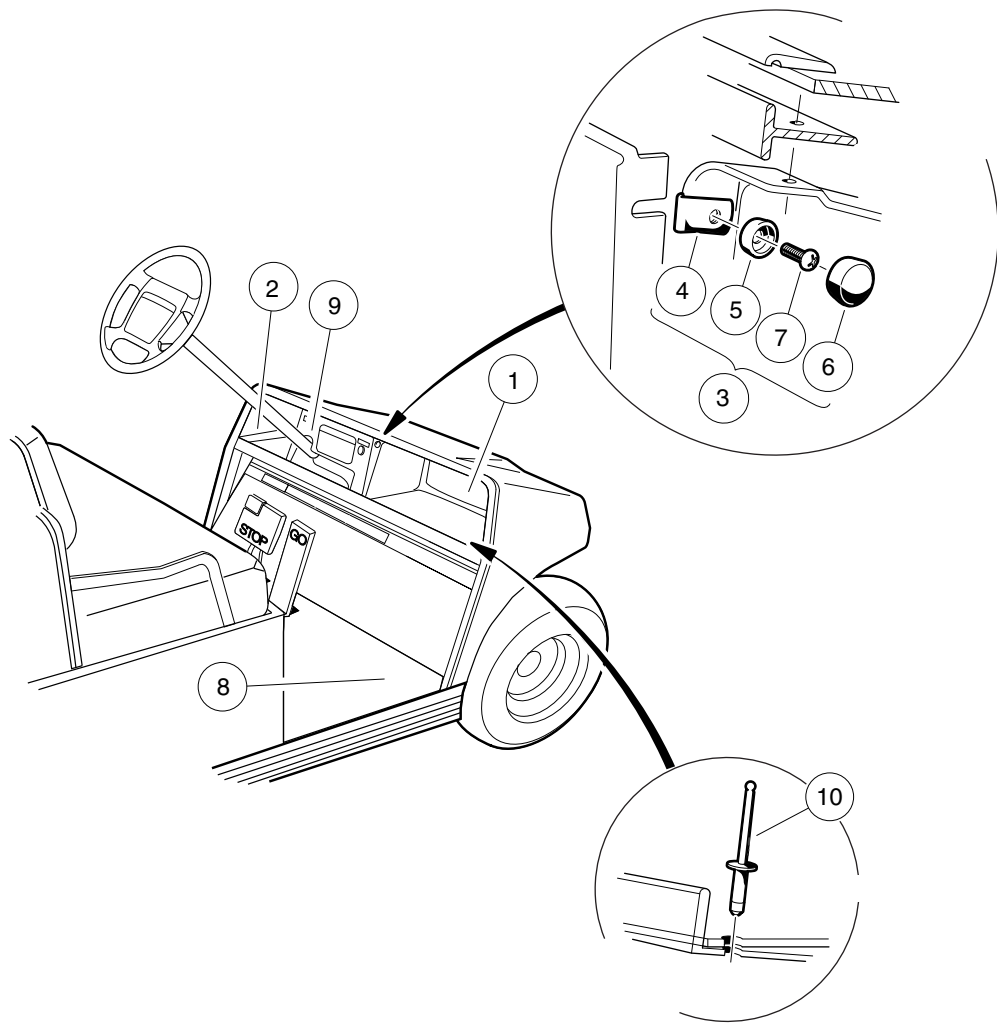
| ITEM                                                                         | PART NO.  | DESCRIPTION                                         | QTY |
|------------------------------------------------------------------------------|-----------|-----------------------------------------------------|-----|
|                                                                              |           | 1 2 3 4                                             |     |
| 1                                                                            | 1013983   | Bumper, Side Trim .....                             | 2   |
| 2                                                                            | 1017079   | Kit, Rear Bumper (includes items 3 through 8) ..... | 1   |
| 3                                                                            | 1011697   | Washer, 5/16 Flat .....                             | 6   |
| 4                                                                            | 1016379   | Bumper, Rear .....                                  | 1   |
| 5                                                                            | 1016874   | Plate, Bumper Mounting, Short .....                 | 2   |
| 6                                                                            | 1016875   | Plate, Bumper Mounting, Long .....                  | 1   |
| 7                                                                            | 1016876   | Bolt, 3/8 Shoulder .....                            | 4   |
| 8                                                                            | 7473      | Locknut, 5/16-18 Nylon Insert .....                 | 4   |
| 9                                                                            | 102221201 | Wear Pad .....                                      | 2   |
| 10                                                                           | 102310701 | Screw, #8-18 x 0.375, Hex-Head Washer .....         | 8   |
| <p style="margin-left: 40px;">Note: Item 5 not used in this application.</p> |           |                                                     |     |

1

G

E

**1**  
**G**  
**E**



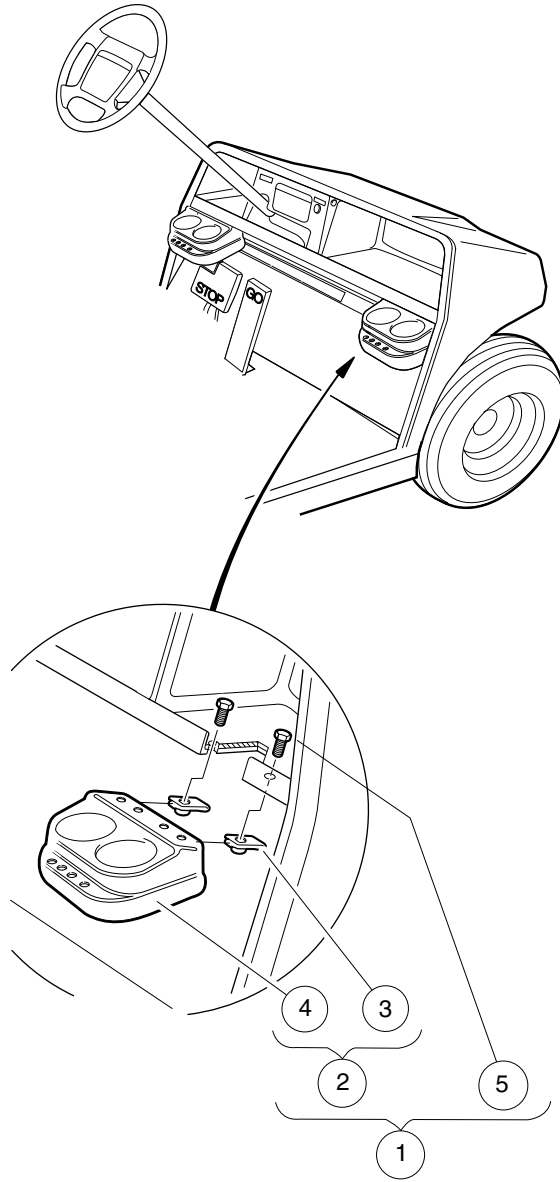
000252-001

# DASH COMPONENTS

| ITEM | PART NO.  | DESCRIPTION                                               | QTY |
|------|-----------|-----------------------------------------------------------|-----|
|      |           | <b>1 2 3 4</b>                                            |     |
| 1    | 1013343   | Dash Component, Passenger-Side, Black .....               | 1   |
| 2    | 1013344   | Dash Component, Driver-Side .....                         | 1   |
| 3    | 1014645   | Snap Washer Kit, Black (includes items 4 through 7) ..... | 2   |
| 4    | 1011019   | Nut, Speed .....                                          | 1   |
| 5    | 1011382   | Washer, #10 Pan-Head Screw .....                          | 1   |
| 6    | 1013494   | Cover, Screw Head .....                                   | 1   |
| 7    | 1620      | Screw, #10-16 X 0.75 Pan-Head Tap .....                   | 1   |
| 8    | 101503202 | Floormat .....                                            | 1   |
| 9    | 101660404 | Dash Panel, Black Center .....                            | 1   |
| 10   | 7973      | Rivet, 3/16 X .400 Blind .....                            | 5   |

1  
G  
E

**1**  
**G**  
**E**



000253-002

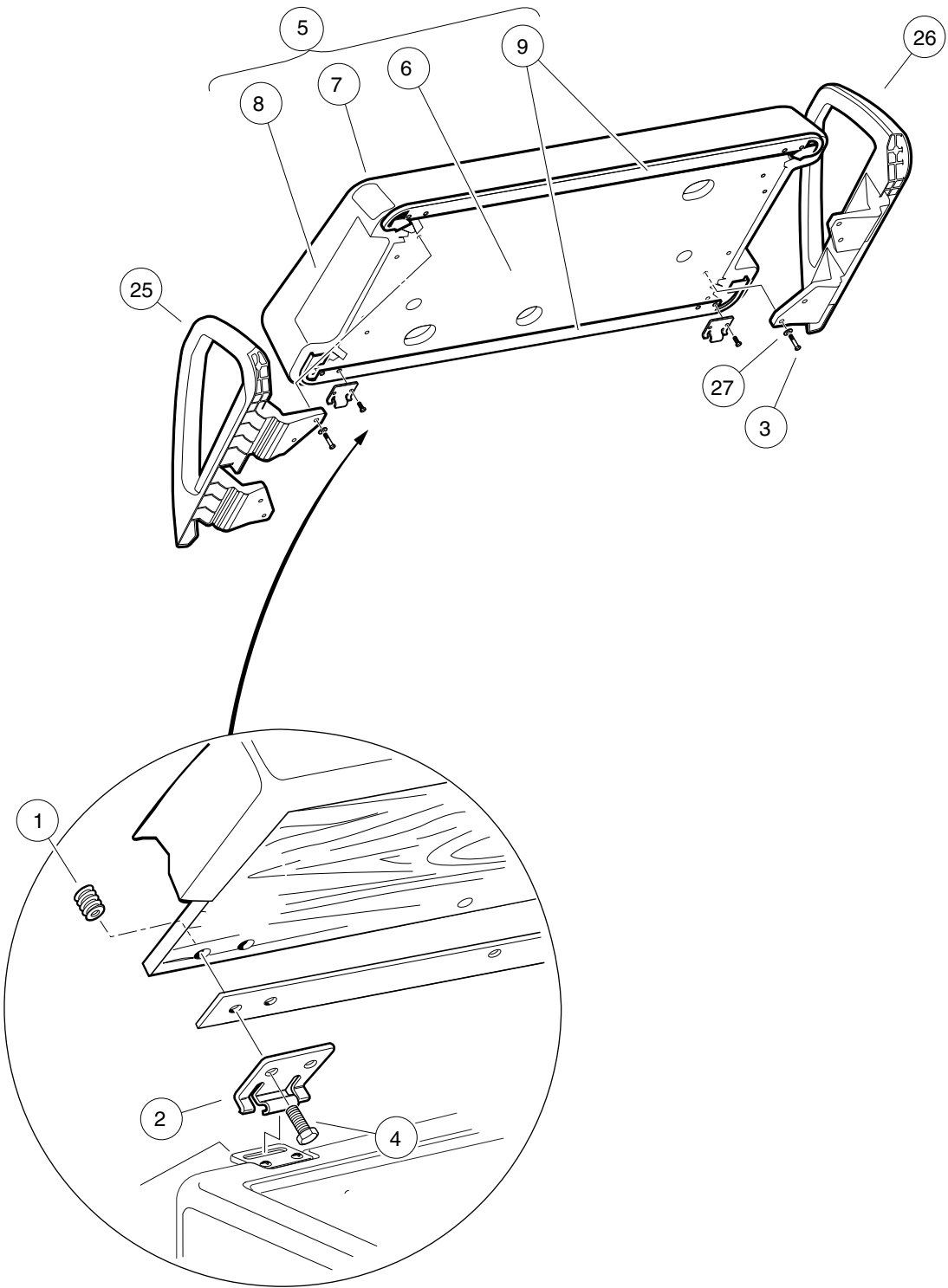


# BEVERAGE HOLDER

| ITEM | PART NO.  | DESCRIPTION                                         | QTY |
|------|-----------|-----------------------------------------------------|-----|
|      |           | <b>1 2 3 4</b>                                      |     |
| 1    | 101708301 | Drink Holder Kit (includes items 2 through 5) ..... | 2   |
| 2    | 1016811   | Holder, Dual Cup (includes items 3 and 4) .....     | 1   |
| 3    | 1016952   | U-Nut, 1/4-20 .....                                 | 2   |
| 4    | N/A       | Cup Holder, Dual .....                              | 1   |
| 5    | 7847      | Screw, 1/4-20 X 0.75 Hex-Head Cap .....             | 2   |

1  
G  
E

**1**  
**G**  
**E**



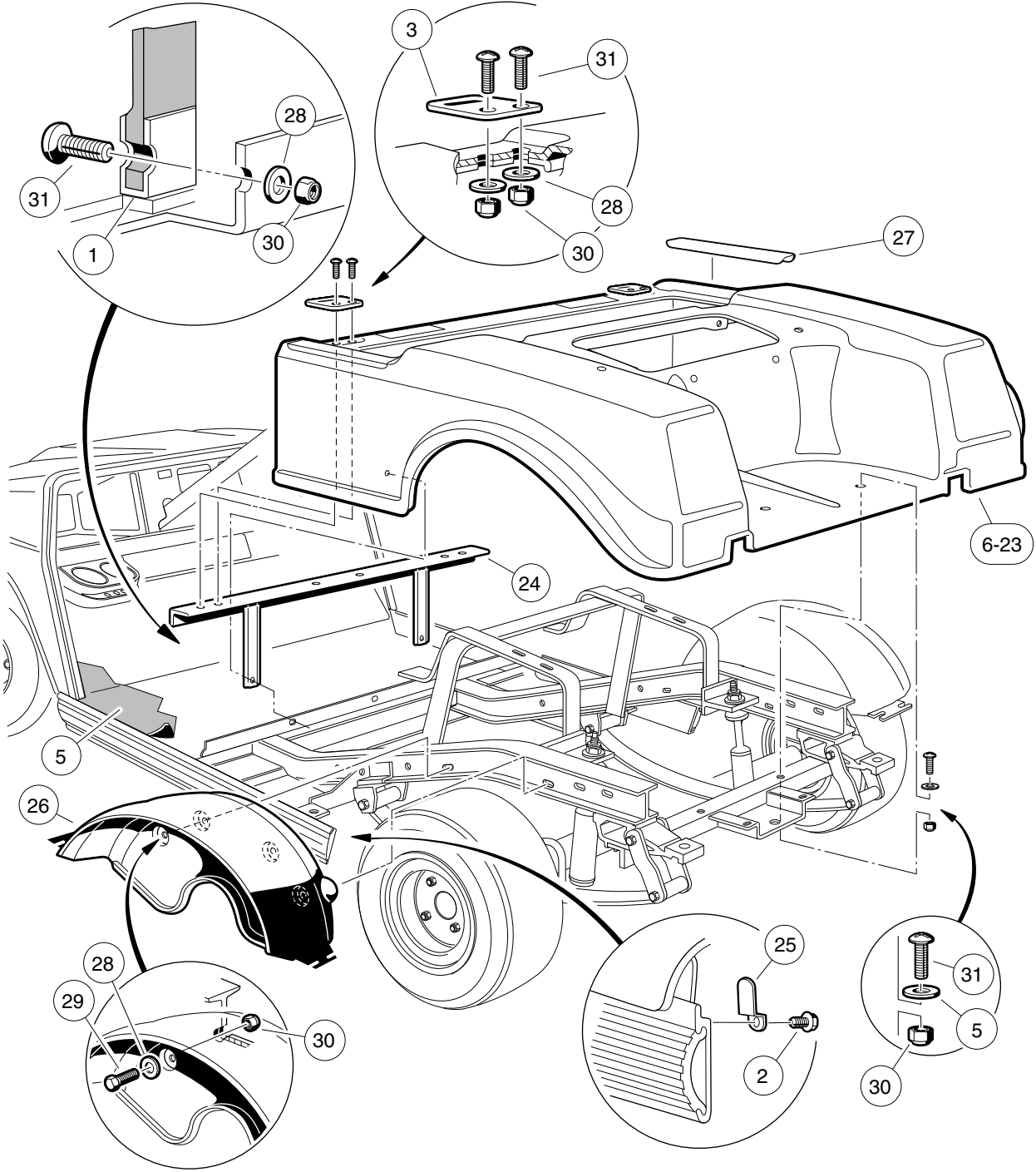
000364-003

# FRONT SEAT BOTTOM AND ARMRESTS

| ITEM                                                                                                                             | PART NO.  | DESCRIPTION                                                      | QTY |
|----------------------------------------------------------------------------------------------------------------------------------|-----------|------------------------------------------------------------------|-----|
|                                                                                                                                  |           | <b>1 2 3 4</b>                                                   |     |
| 1                                                                                                                                | 1010543   | Insert - Wood .....                                              | 4   |
| 2                                                                                                                                | 1011652   | Hinge Plate .....                                                | 2   |
| 3                                                                                                                                | 1016916   | Screw, 1/4-20 X 1.50 Hex-Head Cap .....                          | 8   |
| 4                                                                                                                                | 101954301 | Screw, 1/4-20 X 0.75 Hex-Head Cap .....                          | 4   |
| 5                                                                                                                                | 102174201 | Seat Bottom Assembly, Buff (includes items 6 through 9) .....    | 1   |
| 6                                                                                                                                | N/A       | Plywood Assy .....                                               | 1   |
| 7                                                                                                                                | 101998211 | seat bottom cover .....                                          | 1   |
| 8                                                                                                                                | N/A       | Foam, Seat .....                                                 | 1   |
| 9                                                                                                                                | 101998501 | Gasket, Seat .....                                               | 2   |
| 10                                                                                                                               | 102174202 | Seat Bottom Assembly, White (includes items 11 through 14) ..... | 1   |
| 11                                                                                                                               | N/A       | Plywood Assy .....                                               | 1   |
| 12                                                                                                                               | 101998212 | Vinyl Cover, Seat Bottom, White .....                            | 1   |
| 13                                                                                                                               | N/A       | Foam, Seat .....                                                 | 1   |
| 14                                                                                                                               | 101998501 | Gasket, Seat .....                                               | 2   |
| 15                                                                                                                               | 102174204 | Seat Bottom Assembly, Black (includes items 16 through 19) ..... | 1   |
| 16                                                                                                                               | N/A       | Plywood Assy .....                                               | 1   |
| 17                                                                                                                               | 101998214 | Vinyl Cover, Seat Bottom, Black .....                            | 1   |
| 18                                                                                                                               | N/A       | Foam, Seat .....                                                 | 1   |
| 19                                                                                                                               | 101998501 | Gasket, Seat .....                                               | 2   |
| 20                                                                                                                               | 102174205 | Seat Bottom Assembly, Gray (includes items 21 through 24) .....  | 1   |
| 21                                                                                                                               | N/A       | Plywood Assy .....                                               | 1   |
| 22                                                                                                                               | 101998215 | Vinyl Cover, Seat Bottom, Gray .....                             | 1   |
| 23                                                                                                                               | N/A       | Foam, Seat .....                                                 | 1   |
| 24                                                                                                                               | 101998501 | Gasket, Seat .....                                               | 2   |
| 25                                                                                                                               | 103246701 | Hip Restraint, Drvr Side .....                                   | 1   |
| 26                                                                                                                               | 103246801 | Hip Restraint, Pass Side .....                                   | 1   |
| 27                                                                                                                               | 332       | Washer, 1/4 Type A Narrow Flat .....                             | 8   |
| Note: Sub-components contained in items 12, 17, and 22 are the same as those shown for item 7, except for the vinyl seat covers. |           |                                                                  |     |

1  
G  
E

**1**  
**G**  
**E**



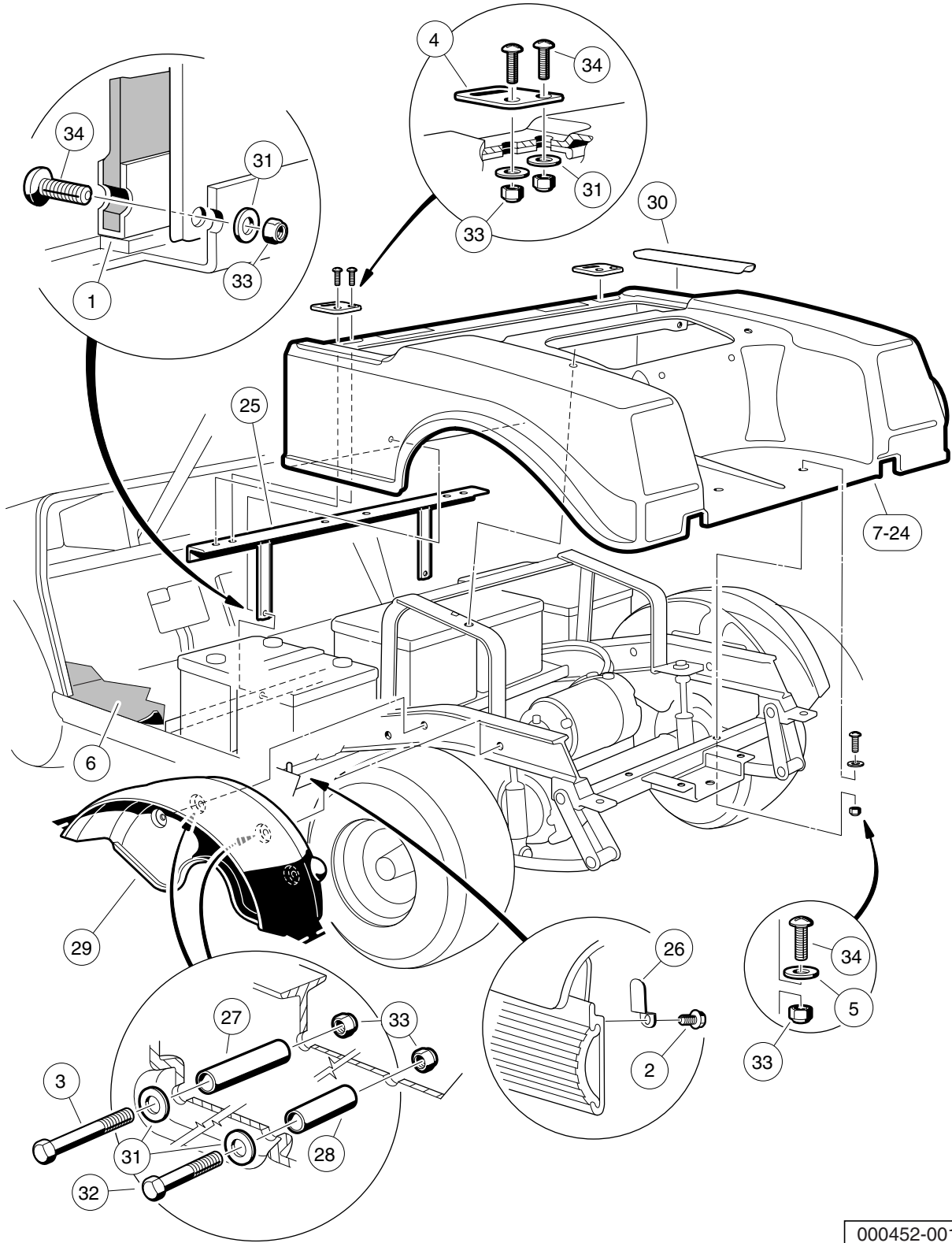
000450-001

## REAR BODY AND FENDER – GASOLINE VEHICLE

| ITEM | PART NO.  | DESCRIPTION                                                      | QTY |
|------|-----------|------------------------------------------------------------------|-----|
|      |           | <b>1 2 3 4</b>                                                   |     |
| 1    | 1010993   | Body Kick Plate .....                                            | 1   |
| 2    | 1012047   | Screw, #8-32 X .375 Self Tap .....                               | 2   |
| 3    | 1012412   | Body, Hinge Plate .....                                          | 2   |
| 4    | 1014306   | Washer, 1/4" Type B Flat .....                                   | 2   |
| 5    | 101503202 | Floormat .....                                                   | 1   |
| 6    | 101692601 | Body, Beige, TPO, Rear .....                                     | 1   |
| 7    | 101692602 | Body, White, TPO, Rear .....                                     | 1   |
| 8    | 101692604 | Body, Gray, TPO, Rear .....                                      | 1   |
| 9    | 101692606 | Body, Red, TPO, Rear .....                                       | 1   |
| 10   | 101692609 | Body, Pacific Blue (Royal Blue), TPO, Rear .....                 | 1   |
| 11   | 101692610 | Body, Dark Green, TPO, Rear .....                                | 1   |
| 12   | 101692611 | Body, Black, TPO, Rear .....                                     | 1   |
| 13   | 101692612 | Body, Classic Blue, (Navy) TPO, Rear .....                       | 1   |
| 14   | 101692613 | Body, Burgundy, TPO, Rear .....                                  | 1   |
| 15   | 101696208 | Body with Tail Light Hole, Beige, Rear .....                     | 1   |
| 16   | 101696209 | Body with Tail Light Hole, White, Rear .....                     | 1   |
| 17   | 101696211 | Body with Tail Light Hole, Gray, Rear .....                      | 1   |
| 18   | 101696213 | Body with Tail Light Hole, Red, Rear .....                       | 1   |
| 19   | 101696215 | Body with Tail Light Hole, Pacific Blue (Royal Blue), Rear ..... | 1   |
| 20   | 101696216 | Body with Tail Light Hole, Dark Green, Rear .....                | 1   |
| 21   | 101696219 | Body with Tail Light Hole, Black, Rear .....                     | 1   |
| 22   | 101696220 | Body with Tail Light Hole, Classic Blue, Rear .....              | 1   |
| 23   | 101696221 | Body with Tail Light Hole, Burgundy, Rear .....                  | 1   |
| 24   | 1017141   | Body Support Weldment .....                                      | 1   |
| 25   | 1017748   | Body Keeper Clip .....                                           | 2   |
| 26   | 1017936   | Fender, Inner .....                                              | 2   |
| 27   | 102221201 | Wear Pad .....                                                   | 2   |
| 28   | 332       | Washer, 1/4 Type A Narrow Flat .....                             | 10  |
| 29   | 7847      | Screw, 1/4-20 X 0.75 Hex-Head Cap .....                          | 4   |
| 30   | 8233      | Locknut, 1/4-20 Nylon Insert .....                               | 12  |
| 31   | 8251      | Screw, 1/4-20 X 1.0 Truss-Head Machine .....                     | 8   |

**1**  
**G**  
**E**

**1**  
**G**  
**E**



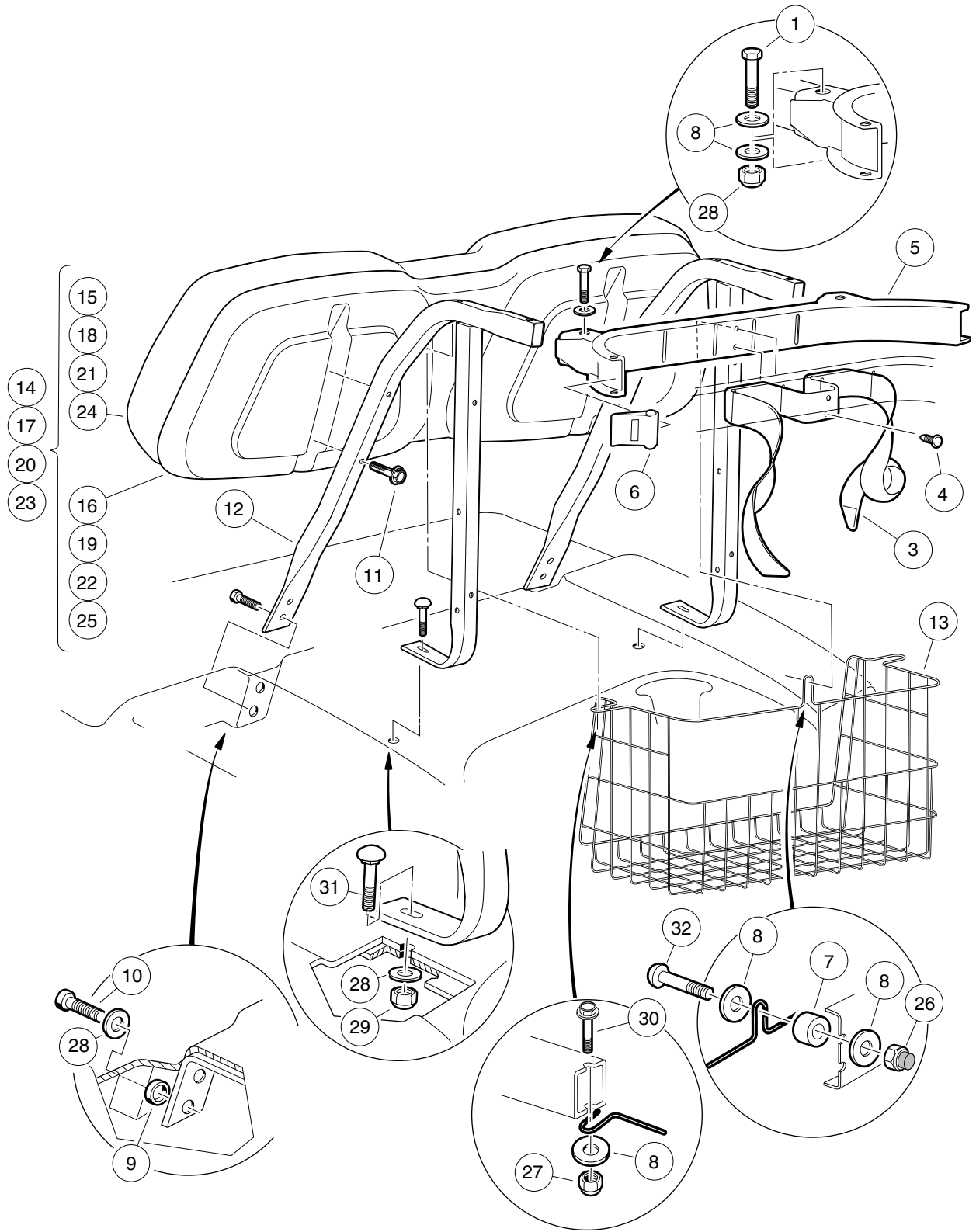
000452-001

## REAR BODY AND FENDER – ELECTRIC VEHICLE

| ITEM | PART NO.  | DESCRIPTION                                           | QTY |
|------|-----------|-------------------------------------------------------|-----|
|      |           | <b>1 2 3 4</b>                                        |     |
| 1    | 1010993   | Body Kick Plate .....                                 | 1   |
| 2    | 1012047   | Screw, #8-32 X .375 Self Tap .....                    | 2   |
| 3    | 1012159   | Bolt, 1/4-20 X 2.75 Hex-Head .....                    | 2   |
| 4    | 1012412   | Body, Hinge Plate .....                               | 2   |
| 5    | 1014306   | Washer, 1/4" Type B Flat .....                        | 2   |
| 6    | 101503202 | Floormat .....                                        | 1   |
| 7    | 101693301 | Body, Beige, TPO, Rear .....                          | 1   |
| 8    | 101693302 | Body, White, TPO, Rear .....                          | 1   |
| 9    | 101693304 | Body, Gray, TPO, Rear .....                           | 1   |
| 10   | 101693306 | Body, Red, TPO, Rear .....                            | 1   |
| 11   | 101693309 | Body, Pacific Blue (Royal Blue), TPO, Rear .....      | 1   |
| 12   | 101693310 | Body, Dark Green, TPO, Rear .....                     | 1   |
| 13   | 101693311 | Body, Black, TPO, Rear .....                          | 1   |
| 14   | 101693312 | Body, Classic Blue, TPO, Rear .....                   | 1   |
| 15   | 101693313 | Body, Burgundy, TPO, Rear .....                       | 1   |
| 16   | 101696201 | Body with Tail Light Hole, Beige, Rear .....          | 1   |
| 17   | 101696202 | Body with Tail Light Hole, White, Rear .....          | 1   |
| 18   | 101696204 | Body with Tail Light Hole, Gray, Rear .....           | 1   |
| 19   | 101696206 | Body with Tail Light Hole, Red, Rear .....            | 1   |
| 20   | 101696217 | Body, Rear W/tlt -ele Pacific Blue (Royal Blue) ..... | 1   |
| 21   | 101696218 | Body with Tail Light Hole, Dark Green, Rear .....     | 1   |
| 22   | 101696222 | Body with Tail Light Hole, Black, Rear .....          | 1   |
| 23   | 101696223 | Body with Tail Light Hole, Classic Blue, Rear .....   | 1   |
| 24   | 101696224 | Body with Tail Light Hole, Burgundy, Rear .....       | 1   |
| 25   | 1017141   | Body Support Weldment .....                           | 1   |
| 26   | 1017748   | Body Keeper Clip .....                                | 2   |
| 27   | 1017814   | Spacer, 1.88-inch .....                               | 2   |
| 28   | 1017815   | Spacer, 0.5-inch .....                                | 2   |
| 29   | 1017936   | Fender, Inner .....                                   | 2   |
| 30   | 102221201 | Wear Pad .....                                        | 2   |
| 31   | 332       | Washer, 1/4 Type A Narrow Flat .....                  | 10  |
| 32   | 7479      | Screw, 1/4-20 X 1.25 Hex-Head Cap .....               | 2   |
| 33   | 8233      | Locknut, 1/4-20 Nylon Insert .....                    | 12  |
| 34   | 8251      | Screw, 1/4-20 X 1.0 Truss-Head Machine .....          | 8   |

**1**  
**G**  
**E**

**1**  
**G**  
**E**



000453-001

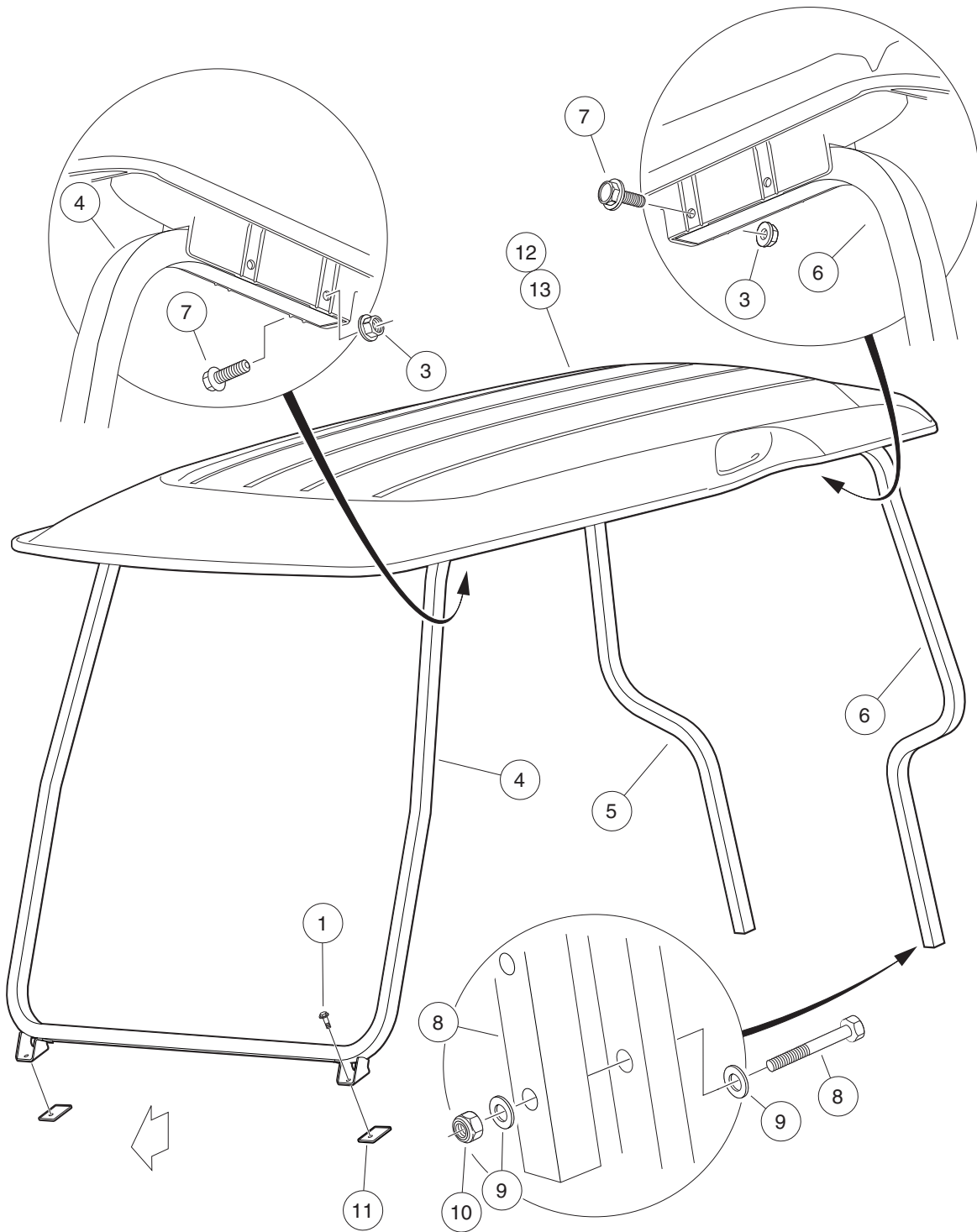


# SEAT BACK AND BAG HOOP

| ITEM | PART NO.  | DESCRIPTION                                                      | QTY |
|------|-----------|------------------------------------------------------------------|-----|
|      |           | <b>1 2 3 4</b>                                                   |     |
| 1    | 1010921   | Screw, 5/16-18 X 2.50 Hex Cap .....                              | 2   |
| 2    | 1013935   | Bag Hoop W/buckle & Strap Asm (includes items 3 through 6) ..... | 1   |
| 3    | 1010413   | Bag Strap Assembly .....                                         | 1   |
| 4    | 1010434   | Barrel - Plastic .....                                           | 2   |
| 5    | N/A       | Molded Bag Hoop .....                                            | 1   |
| 6    | 1013754   | Buckle, Bag Strap .....                                          | 2   |
| 7    | 1014482   | Spacer, Nylon .....                                              | 1   |
| 8    | 1015075   | Washer, 5/16 Flat Type A .....                                   | 8   |
| 9    | 1017774   | Body Spacer .....                                                | 4   |
| 10   | 101910401 | Screw, 5/16-18 X 1.25 Thrd Frm .....                             | 4   |
| 11   | 102076701 | Screw, 1/4-20 X 1.75 Hex Sems .....                              | 4   |
| 12   | 102236601 | Support Weldment .....                                           | 2   |
| 13   | 102236703 | Sweater Basket, Black .....                                      | 1   |
| 14   | 102238301 | Kit, Seat Back, Buff (includes items 15 and 16) .....            | 1   |
| 15   | 102060511 | Skin Seat Back, Beige .....                                      | 1   |
| 16   | 102237001 | Cap - Seat Back .....                                            | 1   |
| 17   | 102238302 | Kit, Seat Back, White (includes items 18 and 19) .....           | 1   |
| 18   | 102060512 | Skin Seat Back, White .....                                      | 1   |
| 19   | 102237001 | Cap - Seat Back .....                                            | 1   |
| 20   | 102238304 | Kit, Seat Back, Black (includes items 21 and 22) .....           | 1   |
| 21   | 102060514 | Skin Seat Back, Black .....                                      | 1   |
| 22   | 102237001 | Cap - Seat Back .....                                            | 1   |
| 23   | 102238305 | Kit, Seat Back, Gray (includes items 24 and 25) .....            | 1   |
| 24   | 102060515 | Skin Seat Back, Gray .....                                       | 1   |
| 25   | 102237001 | Cap - Seat Back .....                                            | 1   |
| 26   | 102242401 | Nut - Nylon Insert W/cap .....                                   | 1   |
| 27   | 1028      | Nut, 1/4-20 Hex .....                                            | 2   |
| 28   | 1241      | Washer, 5/16 Type A Flat .....                                   | 6   |
| 29   | 7473      | Locknut, 5/16-18 Nylon Insert .....                              | 4   |
| 30   | 7479      | Screw, 1/4-20 X 1.25 Hex-Head Cap .....                          | 2   |
| 31   | 7818      | Bolt, Carriage, 5/16-18 X 1.5 .....                              | 2   |
| 32   | 8418      | Screw, 1/4-20 X 1.50 Phillips Truss-Head .....                   | 1   |

**1**  
**G**  
**E**

**1**  
**G**  
**E**



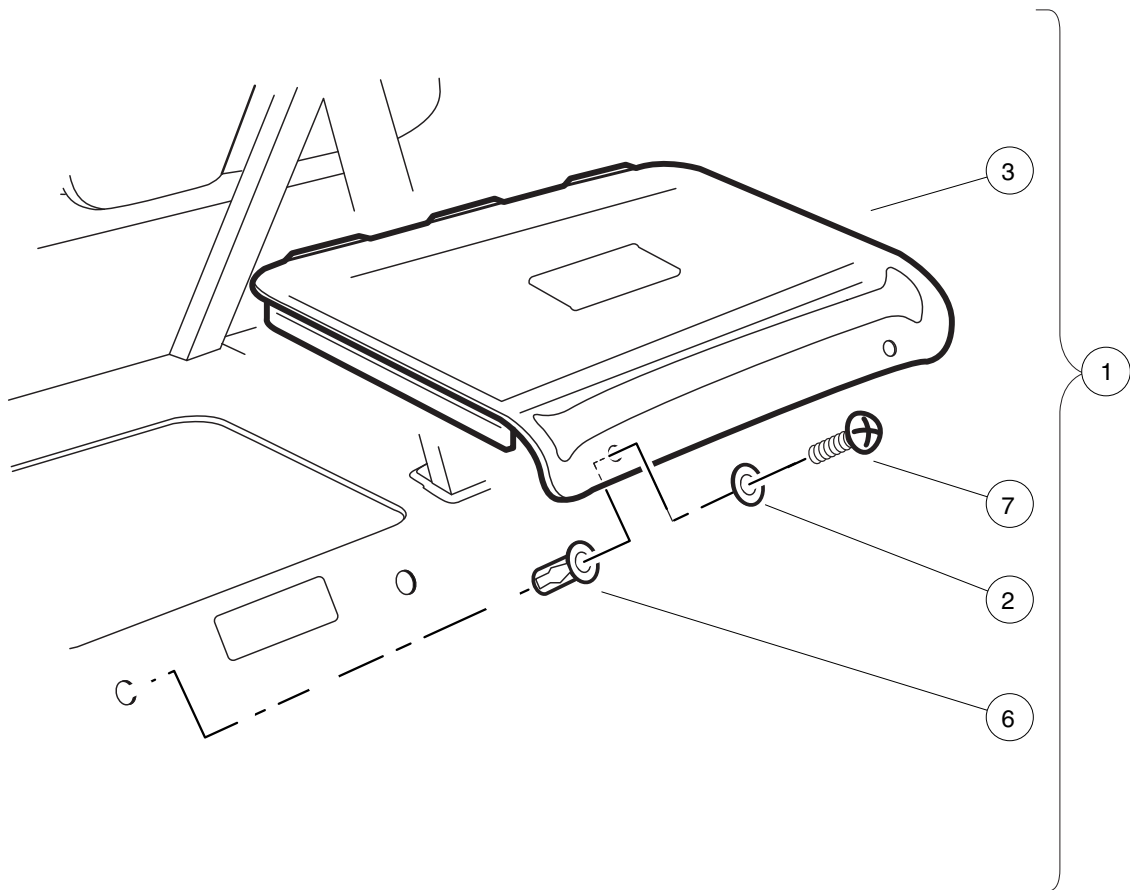
000454-001

# CANOPY

| ITEM | PART NO.  | DESCRIPTION                                           | QTY |
|------|-----------|-------------------------------------------------------|-----|
|      |           | <b>1 2 3 4</b>                                        |     |
| 1    | 102099101 | Screw, 5/16-18 X 1.00 Hex Sems .....                  | 2   |
| 2    | 102155501 | Canopy Kit Struts (includes items 3 through 10) ..... | 1   |
| 3    | 101835601 | Locknut, 1/4-20 Hex Whiz .....                        | 8   |
| 4    | 102063901 | Weldment - Windshield Frame .....                     | 1   |
| 5    | 102064601 | Support, Rear Canopy, Right-Hand .....                | 1   |
| 6    | 102065501 | Support, Rear Canopy Left-Hand .....                  | 1   |
| 7    | 102076701 | Screw, 1/4-20 X 1.75 Hex Sems .....                   | 8   |
| 8    | 324       | Screw, 1/4-20 X 2.50 Hx Hd Cap .....                  | 4   |
| 9    | 332       | Washer, 1/4 Type A Narrow Flat .....                  | 8   |
| 10   | 8233      | Locknut, 1/4-20 Nylon Insert .....                    | 4   |
| 11   | 102198301 | Pad, Windshield Frame .....                           | 2   |
| 12   | N/A       | Canopy, 2pass, Ds, White .....                        | 1   |
| 13   | N/A       | Canopy, 2pass, Ds, Beige .....                        | 1   |

**1**  
**G**  
**E**

**1**  
**G**  
**E**



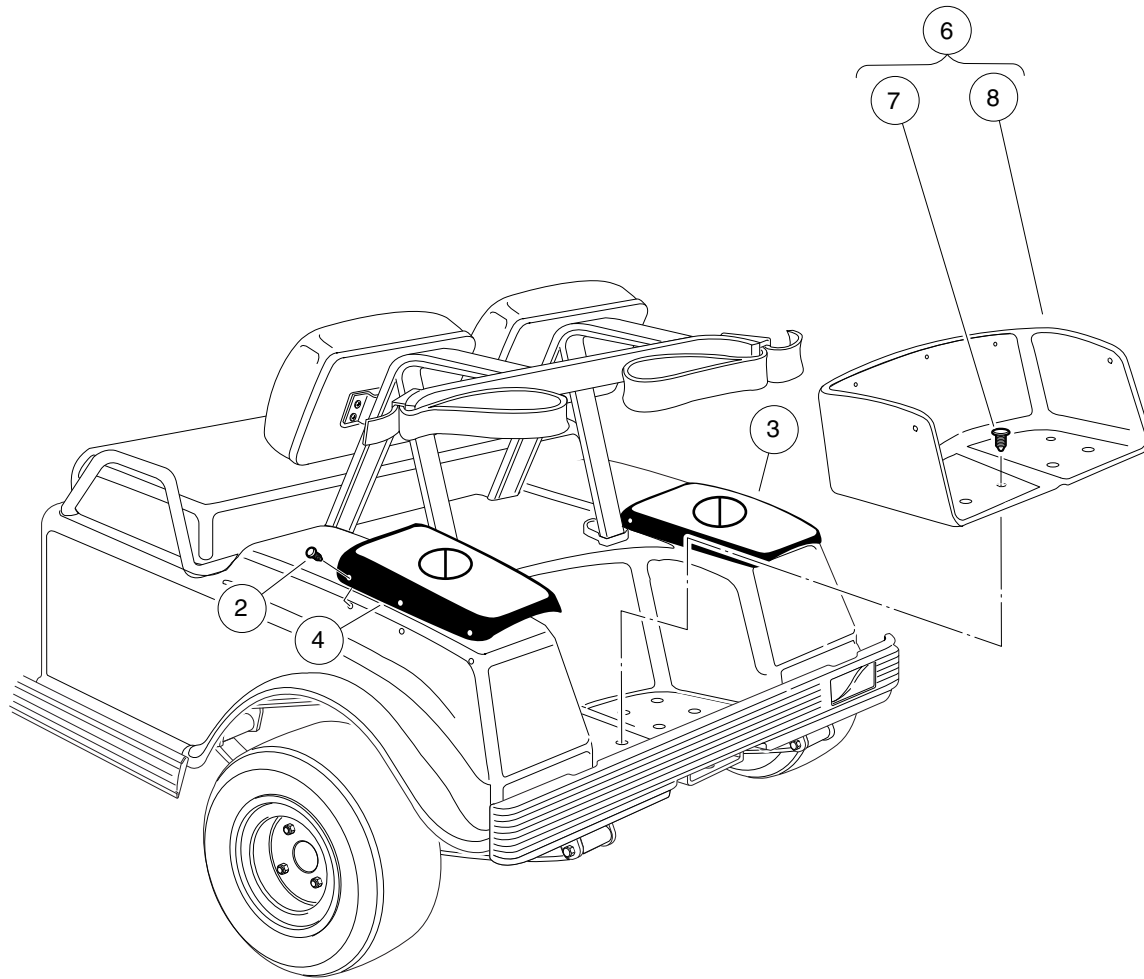
000783-001

# REAR ACCESS DOOR

| ITEM | PART NO. | DESCRIPTION                                               | QTY |
|------|----------|-----------------------------------------------------------|-----|
|      |          | <b>1 2 3 4</b>                                            |     |
| 1    | 1013218  | Kit, Access Door Black (includes items 2 through 7) ..... | 1   |
| 2    | 1012581  | Washer, 0.609-inch OD, Nylon Cup .....                    | 2   |
| 3    | 1013032  | Molded Access Door Black .....                            | 1   |
| 4    | 1013216  | Plug, Button .....                                        | 2   |
| 5    | N/A      | Instruction Sheet Access Door .....                       | 1   |
| 6    | 1015525  | Nut, 1/4-20 Blind .....                                   | 2   |
| 7    | 8251     | Screw, 1/4-20 X 1.0 Truss-Head Machine .....              | 2   |

**1**  
**G**  
**E**

**1**  
**G**  
**E**



APM-000063-001

# SCUFF GUARD AND BAGWELL PROTECTOR KITS

| ITEM | PART NO.  | DESCRIPTION                                                       | QTY |
|------|-----------|-------------------------------------------------------------------|-----|
|      |           | <b>1 2 3 4</b>                                                    |     |
| 1    | 101706702 | Scuff Guard Kit, TPO Body (includes items 2 through 5) .....      | 1   |
| 2    | 1010434   | Barrel - Plastic .....                                            | 12  |
| 3    | 101776201 | Scuff Guard Rh .....                                              | 1   |
| 4    | 101776301 | Scuff Guard Lh .....                                              | 1   |
| 5    | N/A       | Instructions, Scuff Grd Instal .....                              | 1   |
| 6    | 101768202 | Bagwell Protector Kit (includes items 7 through 9) .....          | 1   |
| 7    | 1010434   | Barrel - Plastic .....                                            | 9   |
| 8    | 1017267   | Protector Bagwell .....                                           | 1   |
| 9    | N/A       | Instruction .....                                                 | 1   |
| 10   | 101768204 | Bagwell Protector - Ten Pack (includes items 11 through 13) ..... | A/R |
| 11   | 1010434   | Barrel - Plastic .....                                            | 90  |
| 12   | 1017267   | Protector Bagwell .....                                           | 10  |
| 13   | N/A       | Instruction .....                                                 | 1   |

**1**  
**G**  
**E**

**1**

**G**

**E**



# WHEELS AND TIRES

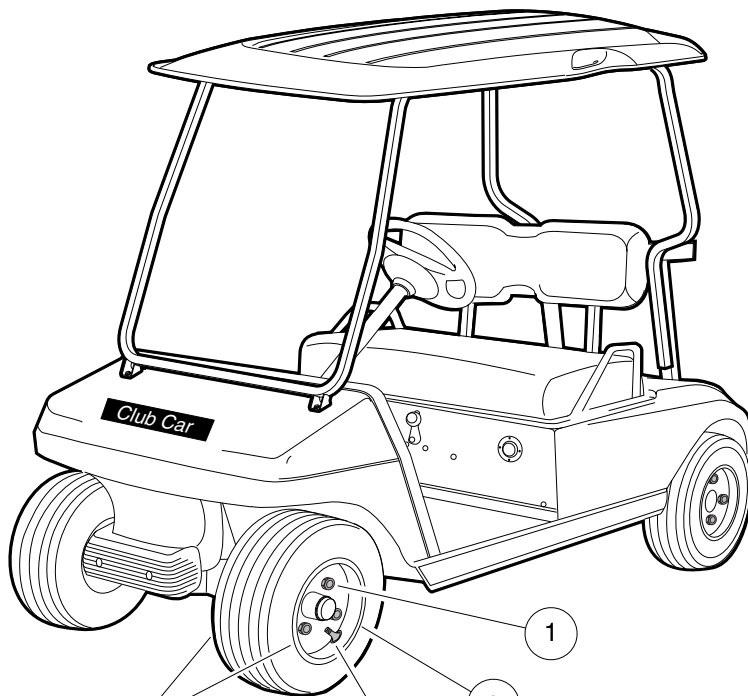
---

2

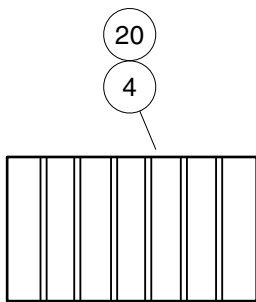
G

E

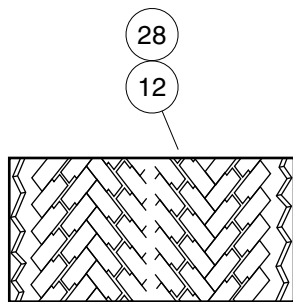
**2**  
**G**  
**E**



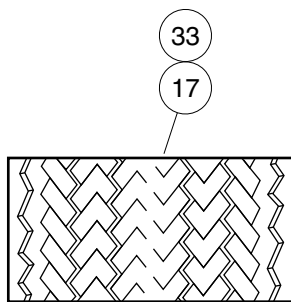
- 1
- 2
- 3
- 4
- 5
- 6
- 7
- 8
- 9
- 10
- 11
- 12
- 13
- 14
- 15
- 16
- 17
- 18
- 19
- 20
- 21
- 22
- 23
- 24
- 25
- 26
- 27
- 28
- 29
- 30
- 31
- 32
- 33



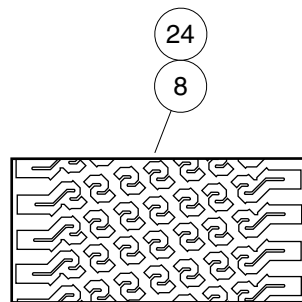
STANDARD TREAD  
Carlisle®



PERFORMANCE  
GRADE TREAD  
Duro®



PREMIUM TREAD  
Kenda®



EXTRA TRACTION  
Duro

Note: The performance grade tire has the wheel and tire matched and balanced at the Duro tire factory.

000457-001

# WHEELS AND TIRES

| ITEM | PART NO.  | DESCRIPTION                                                                       | QTY |
|------|-----------|-----------------------------------------------------------------------------------|-----|
|      |           | <b>1 2 3 4</b>                                                                    |     |
| 1    | 1010984   | .500-20 Unf Lug Nut .....                                                         | 16  |
| 2    | 101570501 | Tire/Wheel Asm, Beige, Standard Tread (includes items 3 through 5) .....          | 4   |
| 3    | 1015707   | Wheel Rim, Beige .....                                                            | 1   |
| 4    | 727102    | Tire Unmto Turf Glde 18x8.50-8 .....                                              | 1   |
| 5    | 7310      | Valve Stem .....                                                                  | 1   |
| 6    | 101570507 | Tire/Wheel Asm, Beige, Xtrac Tread, 6-ply (includes items 7 through 9) .....      | 2   |
| 7    | 1015707   | Wheel Rim, Beige .....                                                            | 1   |
| 8    | 101769302 | Tire, Unmounted Xtrac 18 x 8.50-8 .....                                           | 1   |
| 9    | 7310      | Valve Stem .....                                                                  | 1   |
| 10   | 101570512 | Tire/Wheel Asm, Beige, Duro Premium Tread (includes items 11 through 13) .....    | 4   |
| 11   | 1015707   | Wheel Rim, Beige .....                                                            | 1   |
| 12   | 102569304 | Duro 18 X 8.5 X 8, 4-Ply .....                                                    | 1   |
| 13   | 7310      | Valve Stem .....                                                                  | 1   |
| 14   | 101570513 | Tire/Wheel Asm, Beige, Kenda Premium Tread (includes items 15 through 17) .....   | 4   |
| 15   | 1015707   | Wheel Rim, Beige .....                                                            | 1   |
| 16   | 7310      | Valve Stem .....                                                                  | 1   |
| 17   | AM10682   | Unmounted Prem Tire 18x8.50x8 .....                                               | 1   |
| 18   | 101651401 | Tire/Wheel Asm, White, Standard Tread (includes items 19 through 21) .....        | 4   |
| 19   | 1014771   | Wheel Rim, White .....                                                            | 1   |
| 20   | 727102    | Tire Unmto Turf Glde 18x8.50-8 .....                                              | 1   |
| 21   | 7310      | Valve Stem .....                                                                  | 1   |
| 22   | 101651407 | Tire/Wheel Asm, White, Extra-Traction, 6-Ply (includes items 23 through 25) ..... | 2   |
| 23   | 1014771   | Wheel Rim, White .....                                                            | 1   |
| 24   | 101769302 | Tire, Unmounted Xtrac 18 x 8.50-8 .....                                           | 1   |
| 25   | 7310      | Valve Stem .....                                                                  | 1   |
| 26   | 101651412 | Tire/Wheel Asm, White, Duro Premium Tread (includes items 27 through 29) .....    | 4   |
| 27   | 1014771   | Wheel Rim, White .....                                                            | 1   |
| 28   | 102569304 | Duro 18 X 8.5 X 8, 4-Ply .....                                                    | 1   |
| 29   | 7310      | Valve Stem .....                                                                  | 1   |
| 30   | 101651413 | Tire/Wheel Asm, White, Kenda Premium Tread (includes items 31 through 33) .....   | 4   |
| 31   | 1014771   | Wheel Rim, White .....                                                            | 1   |
| 32   | 7310      | Valve Stem .....                                                                  | 1   |
| 33   | AM10682   | Unmounted Prem Tire 18x8.50x8 .....                                               | 1   |

**2**  
**G**  
**E**

**2**

**G**

**E**

# DECALS

---

3

G

E

**⚠ WARNING**  
**ROLLOVER OR FALLING OFF MAY CAUSE DEATH.**

- Before using vehicle, read operating instructions.
- Remain seated and hold on to seat handle while moving.
- Do not start vehicle until all occupants are seated.
- Two (2) persons per seat maximum.
- Operate from driver side only and not on public roads.
- Keep entire body inside vehicle while moving.
- Drive slowly in turns and straight up and down slopes.
- Do not leave children unattended on vehicle.
- Never operate under the influence of alcohol or drugs.
- Use brakes to reduce speed when coasting downhill.
- Never stand in front of or behind vehicle.

CCI 1019606-01

**OFF | ON**

**OPERATING INSTRUCTIONS**

- Read owner's manual and safety warnings located on dash panel prior to driving.
- Study and understand controls.

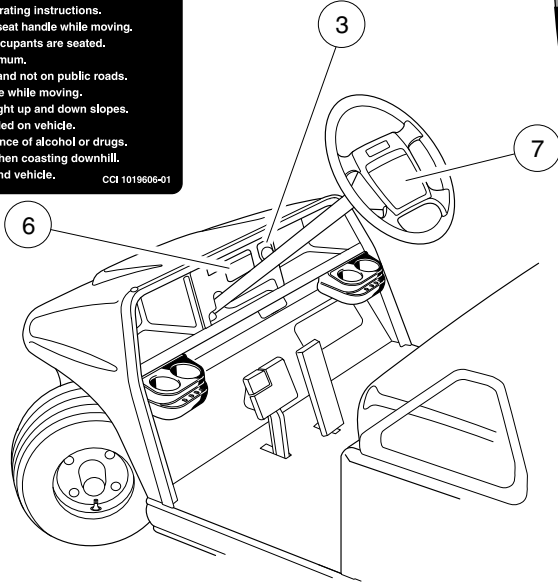
**TO OPERATE**

- Turn wheels to desired direction and ensure path is clear.
- Turn key to ON position.
- While stopped, place shift lever in desired position:  
 F=Forward N=Neutral R=Reverse (Buzzer will sound)
- Park brake will release and vehicle will start moving when accelerator pedal is pressed.
- Slowly press accelerator pedal to increase speed.
- To stop, release accelerator pedal and press brake pedal.

**BEFORE LEAVING**

- Press park brake pedal until it locks and holds vehicle.
- Place Forward/Reverse switch in NEUTRAL position.
- Turn key OFF and remove key when not in use.

CCI 102596201



**⚠ WARNING**  
**CAN CAUSE SEVERE INJURY**

**Rotating parts**

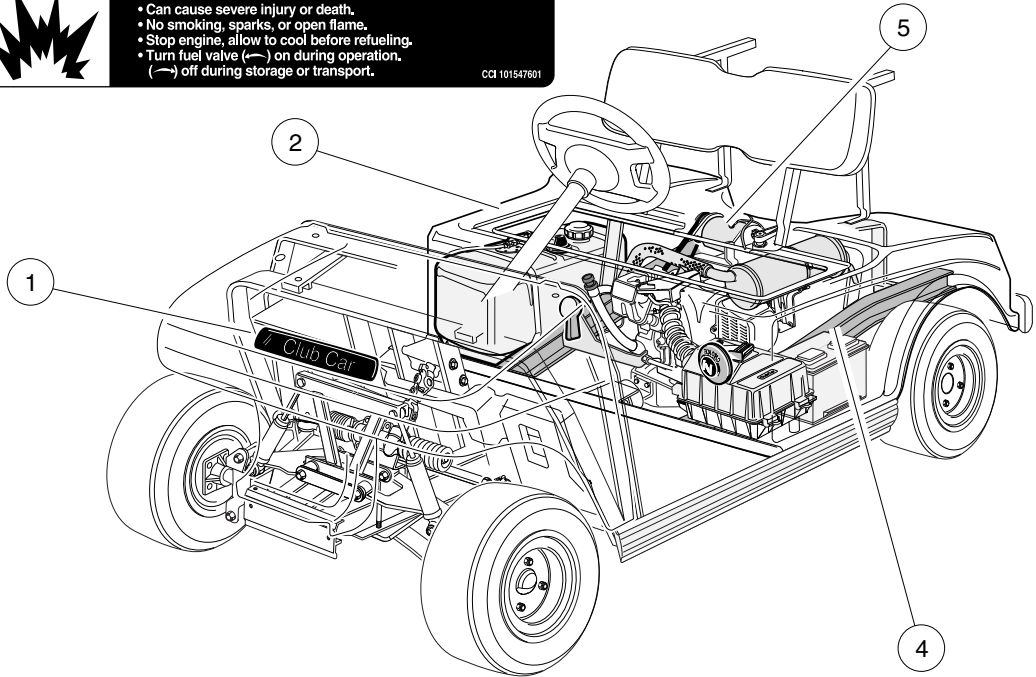
**HOT manifold & muffler**

**KEEP CLEAR** CCI 1019605-01

**⚠ WARNING**  
**GASOLINE EXPLOSION / FIRE.**

- Can cause severe injury or death.
- No smoking, sparks, or open flame.
- Stop engine, allow to cool before refueling.
- Turn fuel valve (←) on during operation, (→) off during storage or transport.

CCI 101547601



**⚠ WARNING**

**Negative frame ground. Can cause severe injury. Do not contact positive (+) battery post or cable to frame. Disconnect negative battery cable first.**

**⚠ WARNING**

**Excessive speed can cause severe injury or death. Do not tamper with engine governor adjustment.**

CCI 101915201

000458-001

## DECALS – GASOLINE VEHICLE

| ITEM | PART NO.  | DESCRIPTION                                    | QTY |
|------|-----------|------------------------------------------------|-----|
|      |           | <b>1 2 3 4</b>                                 |     |
| 1    | 1014198   | Nameplate Kit (gold) .....                     | 1   |
| 2    | 101547601 | Decal, Gasoline Explosion/Fire Warning .....   | 1   |
| 3    | 101825101 | Decal, Off/On .....                            | 1   |
| 4    | 101915201 | Decal, Frame Ground and Governor Warning ..... | 1   |
| 5    | 101960501 | Decal, Rotating Parts/Hot Manifold .....       | 2   |
| 6    | 101960601 | Decal, Dash Warning .....                      | 1   |
| 7    | 102519201 | Decal, Operating Instr, Gas .....              | 1   |

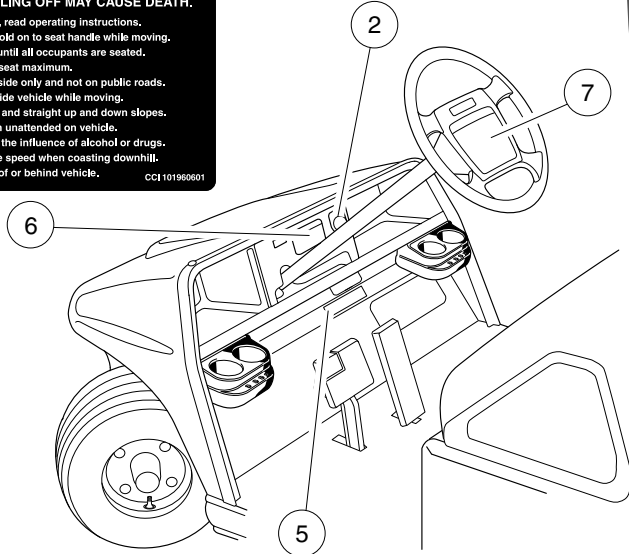
3  
G  
E

**⚠ WARNING**  
**ROLLOVER OR FALLING OFF MAY CAUSE DEATH.**

- Before using vehicle, read operating instructions.
- Remain seated and hold on to seat handle while moving.
- Do not start vehicle until all occupants are seated.
- Two (2) persons per seat maximum.
- Operate from driver side only and not on public roads.
- Keep entire body inside vehicle while moving.
- Drive slowly in turns and straight up and down slopes.
- Do not leave children unattended on vehicle.
- Never operate under the influence of alcohol or drugs.
- Use brakes to reduce speed when coasting downhill.
- Never stand in front of or behind vehicle.

CCI101960601

**OFF | ON**



**OPERATING INSTRUCTIONS**

- Read owner's manual and dash-mounted safety warnings prior to driving.
- Study and understand controls.

**TO OPERATE**

- Turn wheels to desired direction and ensure path is clear.
- Turn key to ON position.
- While stopped, place Forward/Reverse switch in desired position: F=Forward, N=Neutral, R=Reverse (Buzzer will sound)
- Park brake will release and vehicle will start moving when accelerator pedal is pressed.
- Slowly press accelerator pedal to increase speed.
- To stop, release accelerator pedal and press brake pedal.

**BEFORE LEAVING**

- Press park brake pedal until it locks and holds vehicle.
- Place Forward/Reverse switch in NEUTRAL position.
- Turn key OFF and remove key when not in use.

**MOTOR BRAKING**

- Electric motor braking provides speed regulation functions.
- For parked vehicle, beeping alarm indicates vehicle roll away.
- In operation, beeping alarm indicates reduction in motor braking.
- Apply brakes to further reduce vehicle speed as required.
- System is activated only when tow switch is in the RUN position.
- When towing this vehicle, tow switch must be in the TOW position.

CCI 102538001

**IMPORTANT NOTICE**

- Maximum vehicle speed is limited by motor braking during downhill operation with accelerator pedal depressed.
- If motor brake enabled, vehicle motor will brake when accelerator pedal is released.
- Beeping alarm indicates reduction in motor braking. Apply brakes to reduce speed.
- System is activated only when tow switch is in the "RUN" position.
- When towing vehicle, tow switch must be in the "TOW" position.

101959902

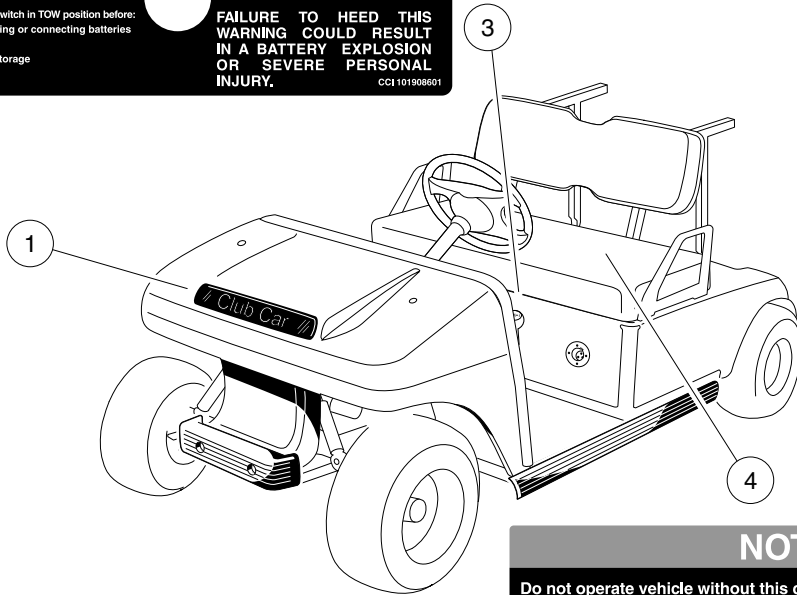
**⚠ WARNING** TOW RUN

Place Tow/Run switch in TOW position before:

- Disconnecting or connecting batteries
- Towing
- Extended storage
- Servicing

**FAILURE TO HEED THIS WARNING COULD RESULT IN A BATTERY EXPLOSION OR SEVERE PERSONAL INJURY.**

CCI101908601



**NOTICE**

Do not operate vehicle without this cover properly installed.  
 Do not direct water stream in this area; will cause damage to components.  
 See vehicle maintenance and service manual before servicing.

CCI 101931501

000459-001



## DECALS – ELECTRIC VEHICLE

| ITEM | PART NO.  | DESCRIPTION                          | QTY |
|------|-----------|--------------------------------------|-----|
|      |           | <b>1 2 3 4</b>                       |     |
| 1    | 1014198   | Nameplate Kit (gold) .....           | 1   |
| 2    | 101825101 | Decal, Off/On .....                  | 1   |
| 3    | 101908601 | Decal, Tow/Run Switch Warning .....  | 1   |
| 4    | 101931501 | Decal, Component Cover .....         | 1   |
| 5    | 101959902 | Decal, IQ System Motor Braking ..... | 1   |
| 6    | 101960601 | Decal, Dash Warning .....            | 1   |
| 7    | 102518001 | Decal, Operating Instr, Elec .....   | 1   |

3  
G  
E

**3**

**G**

**E**

# BRAKES, PEDAL, AND CABLE ASSEMBLIES

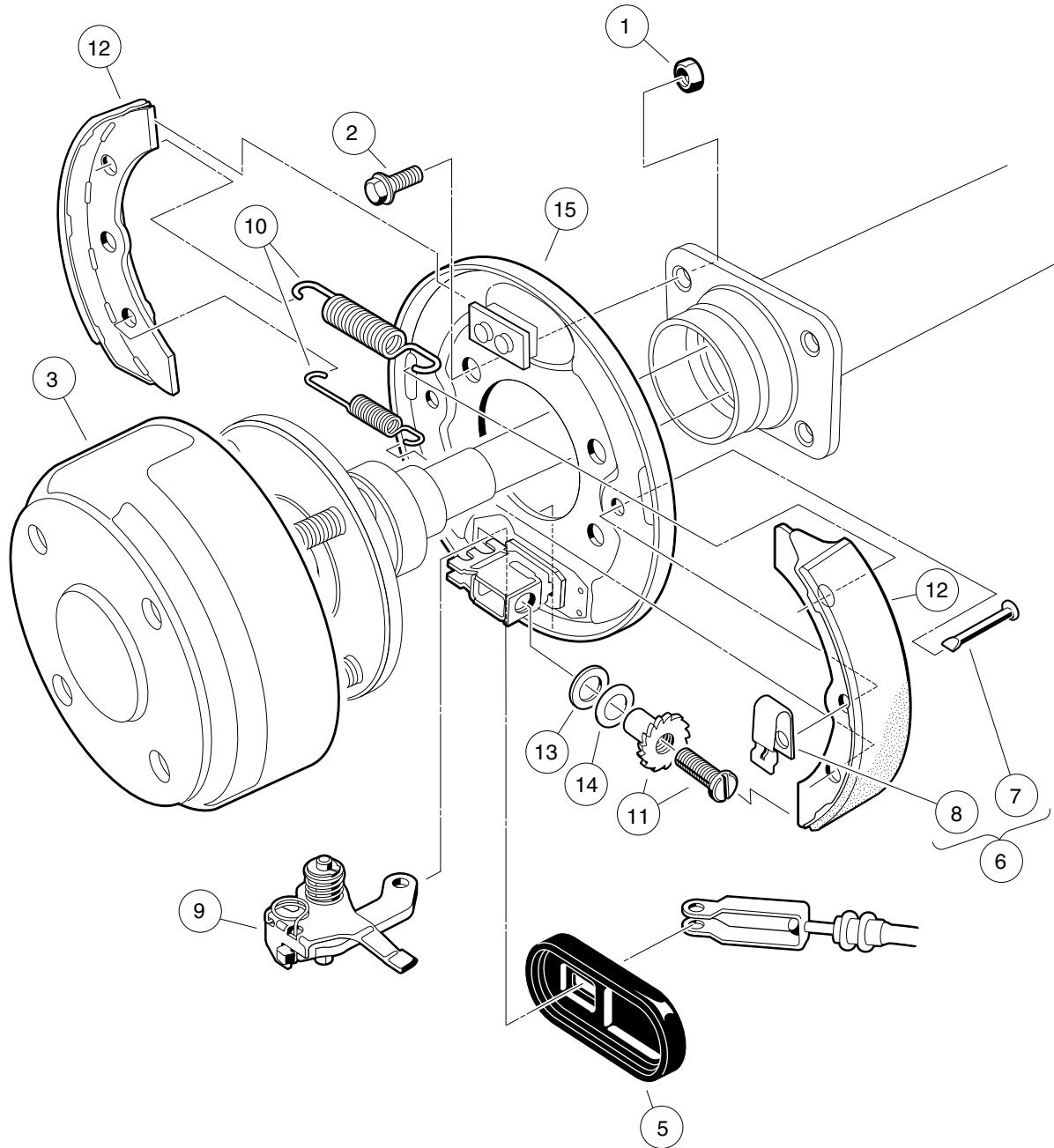
---

4

G

E

**4**  
**G**  
**E**



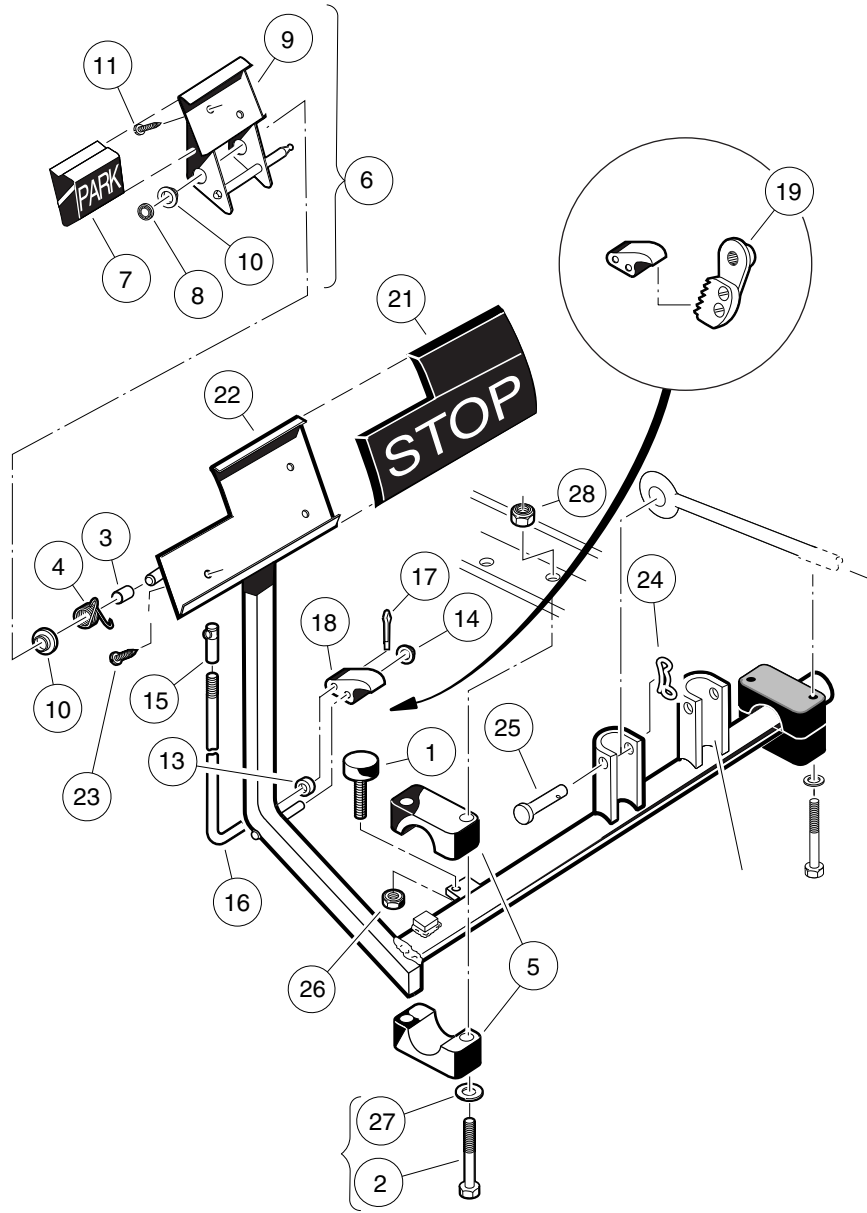
000186-001

## REAR BRAKE ASSEMBLY, SELF-ADJUSTING

| ITEM                                                                                                                               | PART NO.  | DESCRIPTION                                                                   | QTY |
|------------------------------------------------------------------------------------------------------------------------------------|-----------|-------------------------------------------------------------------------------|-----|
|                                                                                                                                    |           | <b>1 2 3 4</b>                                                                |     |
| 1                                                                                                                                  | 1013924   | Nut, 5/16-24 Hex Head Cone .....                                              | 8   |
| 2                                                                                                                                  | 1014153   | Bolt, Brake Cluster Mounting .....                                            | 8   |
| 3                                                                                                                                  | 101791101 | Drum without Center Hole, Brake .....                                         | 2   |
| 4                                                                                                                                  | 101823301 | Cluster Assembly, Right (Passenger) Brake (includes items 5 through 15) ..... | 1   |
| 5                                                                                                                                  | 1010850   | Dust Cover .....                                                              | 1   |
| 6                                                                                                                                  | 1011466   | Kit, Shoe Retainer (includes items 7 and 8) .....                             | 1   |
| 7                                                                                                                                  | N/A       | Pin .....                                                                     | 2   |
| 8                                                                                                                                  | N/A       | Shoe Clamp Spring .....                                                       | 2   |
| 9                                                                                                                                  | 101815501 | Lever Assembly, Self-Adjusting Brake, Right (Passenger) .....                 | 1   |
| 10                                                                                                                                 | 101816301 | Package, Brake Spring, Self-Adjusting .....                                   | 1   |
| 11                                                                                                                                 | 101816501 | Adj Mechanism, S.A. Brakes, Right (Passenger) .....                           | 1   |
| 12                                                                                                                                 | 101823201 | Package, Brake Shoe, Self-Adjusting .....                                     | 1   |
| 13                                                                                                                                 | 101823801 | Plate, Washer, Brake, Self-Adjusting .....                                    | 1   |
| 14                                                                                                                                 | 101823901 | Washer, Brake, Self-Adjusting .....                                           | 1   |
| 15                                                                                                                                 | 101824001 | Plate Assembly, Right Brake Backing .....                                     | 1   |
| 16                                                                                                                                 | 101823302 | Cluster Assembly, Left Brake (includes items 17 through 27) .....             | 1   |
| 17                                                                                                                                 | 1010850   | Dust Cover .....                                                              | 1   |
| 18                                                                                                                                 | 1011466   | Kit, Shoe Retainer (includes items 19 and 20) .....                           | 1   |
| 19                                                                                                                                 | N/A       | Pin .....                                                                     | 2   |
| 20                                                                                                                                 | N/A       | Shoe Clamp Spring .....                                                       | 2   |
| 21                                                                                                                                 | 101815502 | Lever Assembly, Self-Adjusting Brake, Left .....                              | 1   |
| 22                                                                                                                                 | 101816301 | Package, Brake Spring, Self-Adjusting .....                                   | 1   |
| 23                                                                                                                                 | 101816502 | Adjusting Mechanism, Self-Adjusting Brake, Left .....                         | 1   |
| 24                                                                                                                                 | 101823201 | Package, Brake Shoe, Self-Adjusting .....                                     | 1   |
| 25                                                                                                                                 | 101823801 | Plate, Washer, Brake, Self-Adjusting .....                                    | 1   |
| 26                                                                                                                                 | 101823901 | Washer, Brake, Self-Adjusting .....                                           | 1   |
| 27                                                                                                                                 | 101824002 | Plate Assembly, Left Brake Backing .....                                      | 1   |
| <p>Note: Driver-side brake cluster not shown. Components have a similar appearance to passenger-side brake cluster components.</p> |           |                                                                               |     |

**4**  
**G**  
**E**

**4**  
**G**  
**E**



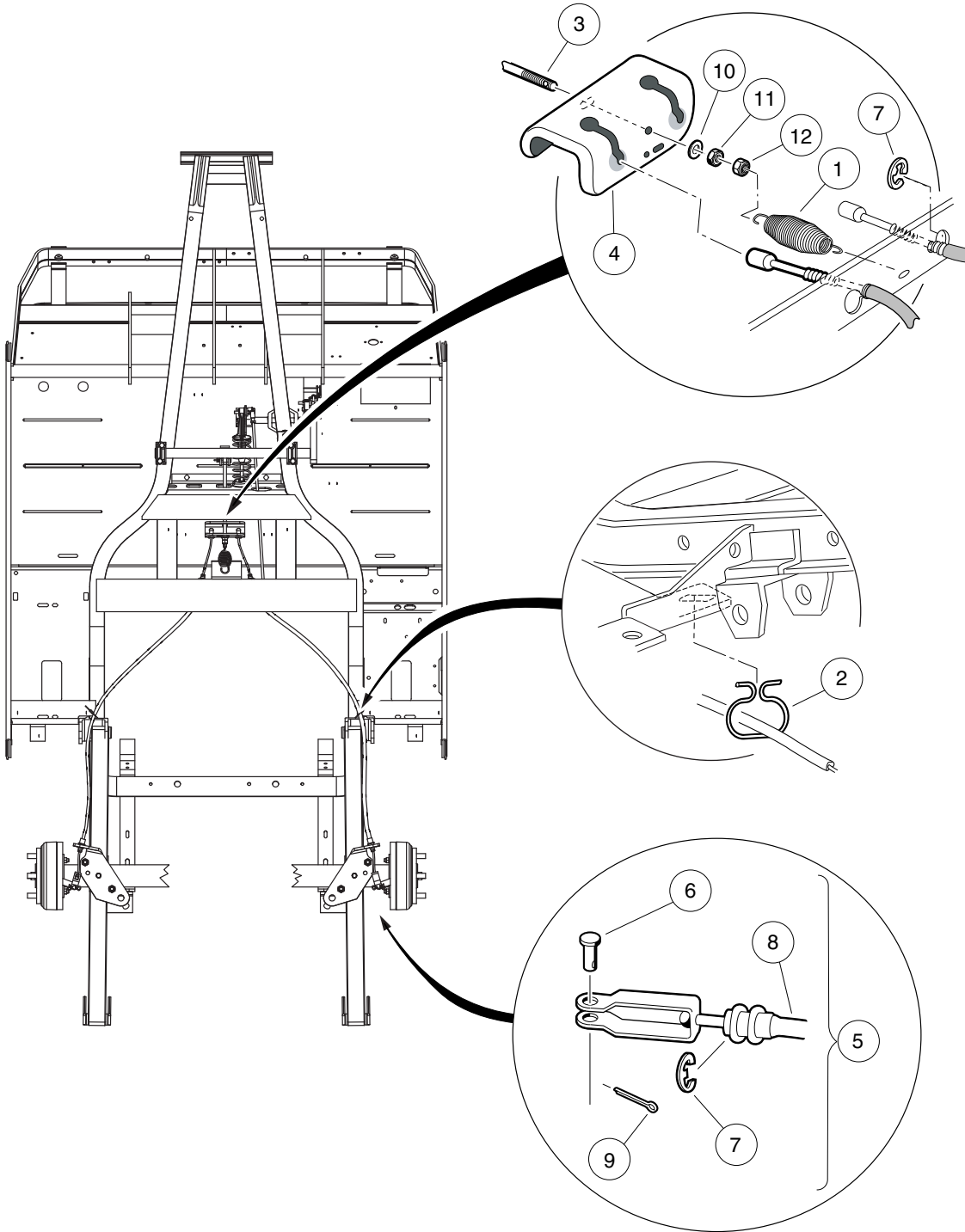
000187-001

# BRAKE PEDAL ASSEMBLY

| ITEM | PART NO.  | DESCRIPTION                                                | QTY |
|------|-----------|------------------------------------------------------------|-----|
|      |           | <b>1 2 3 4</b>                                             |     |
| 1    | 1010878   | Bumper, Rubber .....                                       | 1   |
| 2    | 1010921   | Screw, 5/16-18 X 2.50 Hex Cap .....                        | 4   |
| 3    | 1010927   | Hill Brake Spacer .....                                    | 1   |
| 4    | 1010933   | Spring, Hill Brake Torsion .....                           | 1   |
| 5    | 1011402   | Package, Brake Mounting Block .....                        | 1   |
| 6    | 1011418   | Kit, Hill Brake Pedal (includes items 7 through 11) .....  | 1   |
| 7    | 1013870   | Pad, Hill Brake .....                                      | 1   |
| 8    | 1013876   | Pushnut, 3/8 .....                                         | 1   |
| 9    | N/A       | Hill Brake Weld Assembly .....                             | 1   |
| 10   | 1032      | Bushing, Nylon .....                                       | 2   |
| 11   | 7716      | Screw, #10-16 Type AB, Sheet Metal .....                   | 2   |
| 12   | 101187702 | Kit, Hill Brake Latch (includes items 13 through 19) ..... | 1   |
| 13   | 1010805   | Sleeve, Hill Brake Rod .....                               | 1   |
| 14   | 1010877   | Pushnut, 3/8 .....                                         | 1   |
| 15   | 1010932   | Ball Joint, 1/4-28 .....                                   | 1   |
| 16   | N/A       | Rod, Hill Brake .....                                      | 1   |
| 17   | 1017029   | Pin, Cotter, 7/64 x 1/2 Stainless-Steel .....              | 1   |
| 18   | N/A       | Pawl, Hill Brake .....                                     | 1   |
| 19   | 101918501 | Ratchet Assembly .....                                     | 1   |
| 20   | 101878201 | Brake Pedal Kit (includes items 21 through 23) .....       | 1   |
| 21   | 1013869   | Pad, Brake Pedal .....                                     | 1   |
| 22   | N/A       | Weldment, Brake Pedal 4wb Std .....                        | 1   |
| 23   | 7716      | Screw, #10-16 Type AB, Sheet Metal .....                   | 3   |
| 24   | 102323101 | Pin, Bow Tie Locking .....                                 | 1   |
| 25   | 102323201 | Pin, 3/8 X 1-5/16 Clevis .....                             | 1   |
| 26   | 1028      | Nut, 1/4-20 Hex .....                                      | 1   |
| 27   | 1241      | Washer, 5/16 Type A Flat .....                             | 4   |
| 28   | 7473      | Locknut, 5/16-18 Nylon Insert .....                        | 4   |

**4**  
**G**  
**E**

**4**  
**G**  
**E**



000245-001

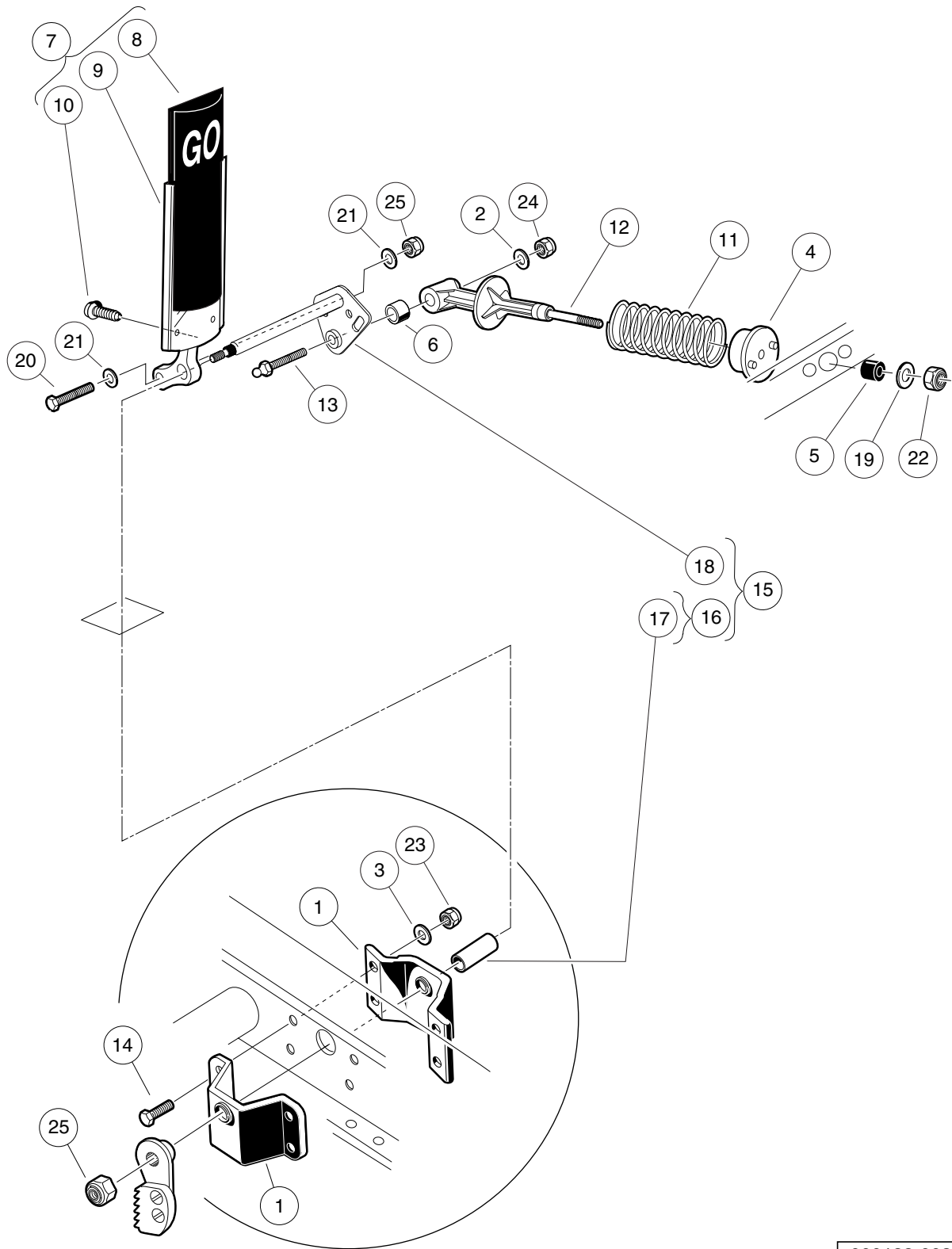


## BRAKE CABLE, EQUALIZER, AND EQUALIZER ROD

| ITEM | PART NO.  | DESCRIPTION                                        | QTY |
|------|-----------|----------------------------------------------------|-----|
|      |           | 1 2 3 4                                            |     |
| 1    | 1013531   | Spring, Brake Return .....                         | 1   |
| 2    | 101900801 | Hanger, Brake Cable .....                          | 2   |
| 3    | 101953101 | Rod, Equalizer .....                               | 1   |
| 4    | 101990801 | Equalizer Bracket .....                            | 1   |
| 5    | 102022101 | Brake Cable Kit (includes items 6 through 9) ..... | 2   |
| 6    | 1010829   | Pin, Clevis, 5/16 X 3/4 .....                      | 1   |
| 7    | 1011779   | E-Clip, 1/2 .....                                  | 2   |
| 8    | N/A       | Cable, Brake .....                                 | 1   |
| 9    | 1035      | Cotter Pin, 3/32 x 1 .....                         | 1   |
| 10   | 1241      | Washer, 5/16 Type A Flat .....                     | 5   |
| 11   | 1242      | Nut, 5/16-18 Hex .....                             | 1   |
| 12   | 7473      | Locknut, 5/16-18 Nylon Insert .....                | 5   |

**4**  
**G**  
**E**

**4**  
**G**  
**E**



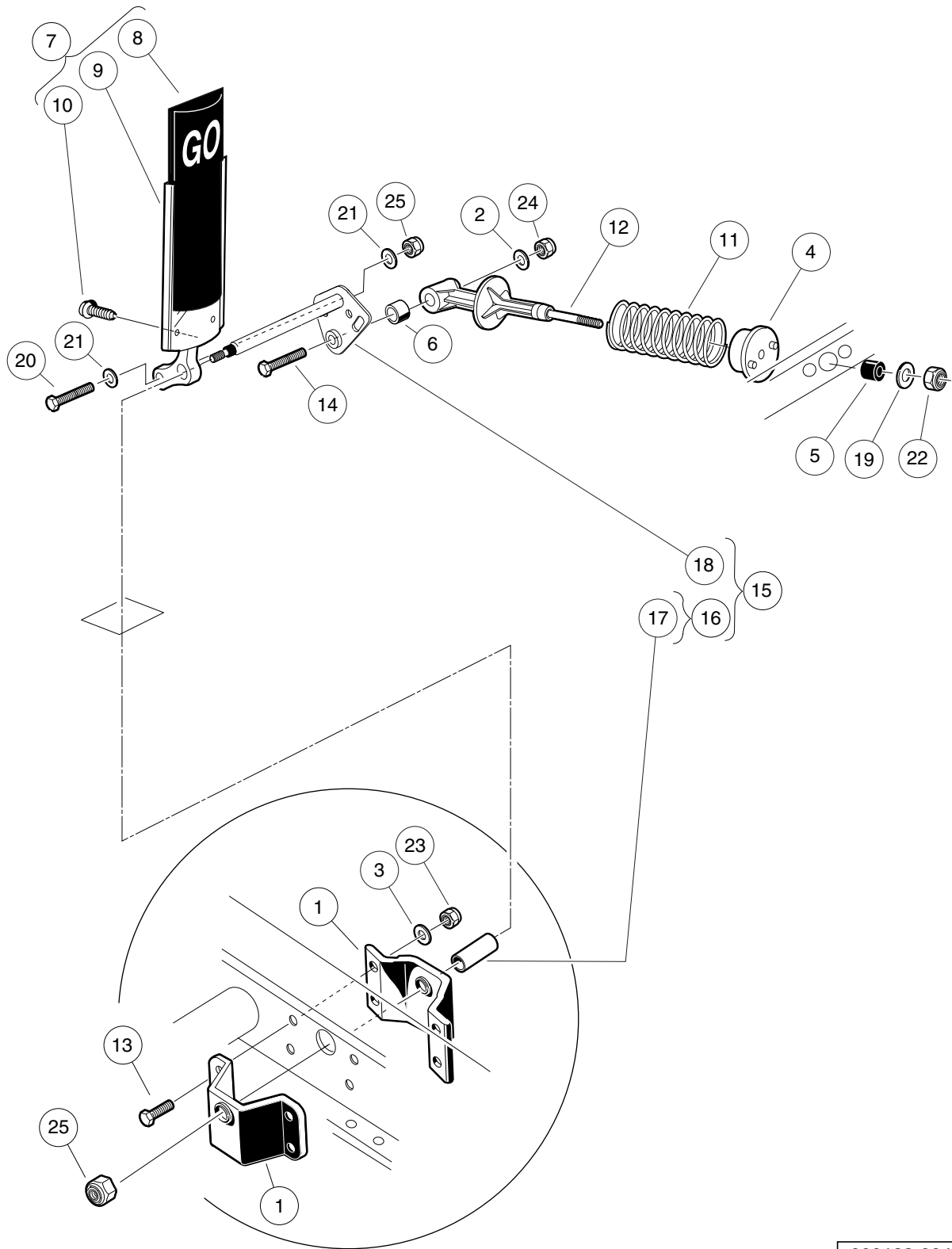
000188-003

# ACCELERATOR PEDAL ASSEMBLY – GASOLINE VEHICLE

| ITEM | PART NO.  | DESCRIPTION                                                              | QTY |
|------|-----------|--------------------------------------------------------------------------|-----|
|      |           | 1 2 3 4                                                                  |     |
| 1    | 1011694   | Accelerator Bracket and Bearing Assembly .....                           | 2   |
| 2    | 1011931   | Washer, 1/4 Flat .....                                                   | 1   |
| 3    | 1014007   | Washer, 1/4 Flat .....                                                   | 4   |
| 4    | 1017378   | Cup, Spring .....                                                        | 1   |
| 5    | 1017380   | Bumper, Spring Return .....                                              | 1   |
| 6    | 1017424   | Bearing, Pivot Support .....                                             | 1   |
| 7    | 1017696   | Sub Asm, Accelerator Pedal (includes items 8 through 10) .....           | 1   |
| 8    | 1013871   | Pad, Accelerator Pedal .....                                             | 1   |
| 9    | N/A       | Accelerator Pedal Weldment .....                                         | 1   |
| 10   | 7716      | Screw, #10-16 Type AB, Sheet Metal .....                                 | 4   |
| 11   | 101796201 | Spring, Accelerator Return .....                                         | 1   |
| 12   | 101817401 | Retainer, Spring .....                                                   | 1   |
| 13   | 101818801 | Stud, 1/4-28 X 1.35 Ball .....                                           | 1   |
| 14   | 101861901 | Screw, 1/4-20 X 1.125 Hex Cap .....                                      | 4   |
| 15   | 102026001 | Kit, Accelerator Pivot Rod Assembly (includes items 16 through 18) ..... | 1   |
| 16   | 1011700   | Spacer Assembly (includes item 17) .....                                 | 1   |
| 17   | N/A       | Spacer, Accelerator .....                                                | 1   |
| 18   | N/A       | Pivot Rod Weldment .....                                                 | 1   |
| 19   | 1241      | Washer, 5/16 Type A Flat .....                                           | 1   |
| 20   | 1624      | Screw, 3/8-16 X 1.50 Hex-Head Cap .....                                  | 1   |
| 21   | 334       | Washer, 3/8 Type A Flat .....                                            | 2   |
| 22   | 7473      | Locknut, 5/16-18 Nylon Insert .....                                      | 1   |
| 23   | 8233      | Locknut, 1/4-20 Nylon Insert .....                                       | 4   |
| 24   | 8717      | Locknut, 1/4-28 Nylon Insert .....                                       | 1   |
| 25   | 8754      | Locknut, 3/8-16 Hex .....                                                | 2   |

**4**  
**G**  
**E**

**4**  
**G**  
**E**



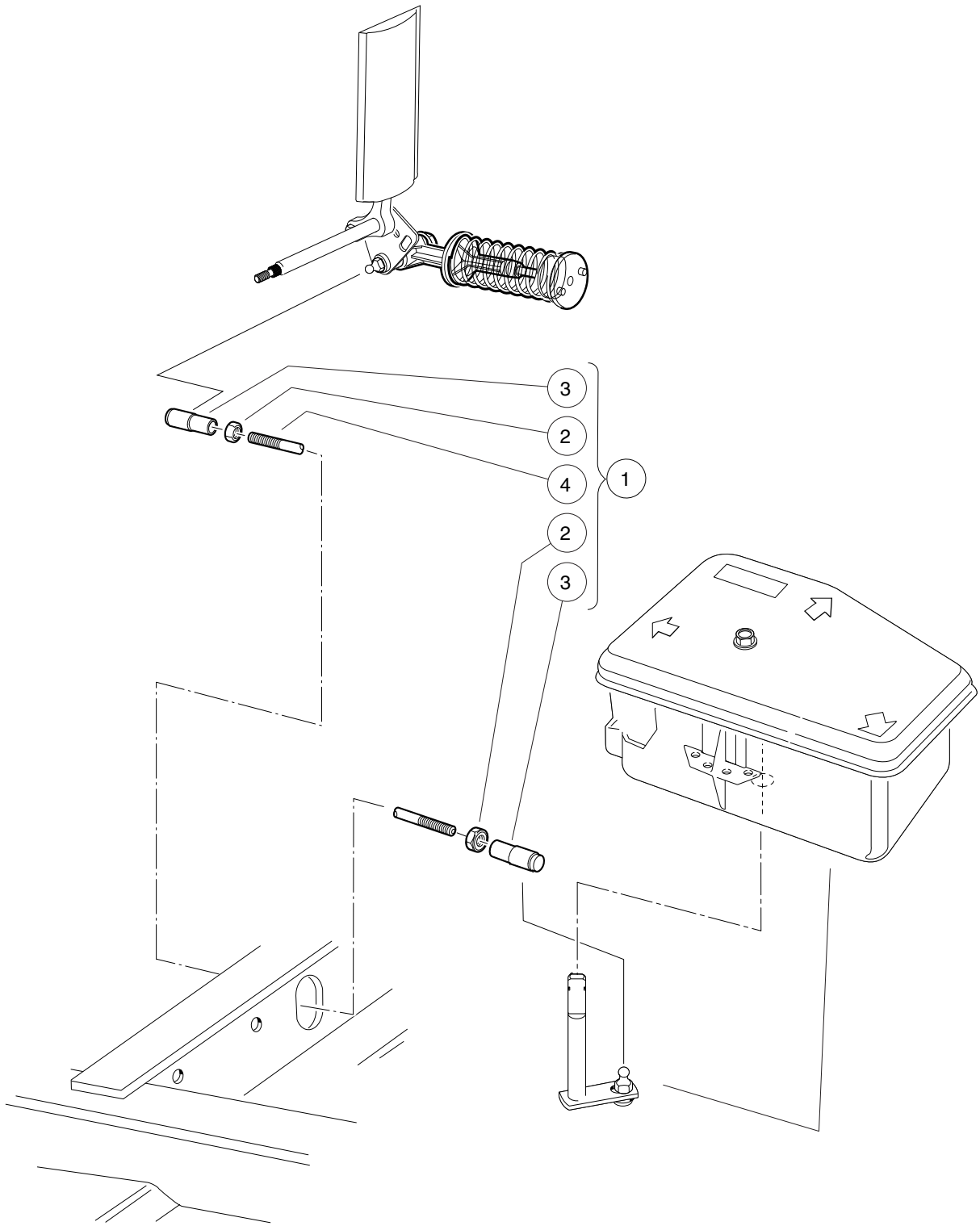
000188-004

## ACCELERATOR PEDAL ASSEMBLY – ELECTRIC VEHICLES

| ITEM | PART NO.  | DESCRIPTION                                                              | QTY |
|------|-----------|--------------------------------------------------------------------------|-----|
|      |           | <b>1 2 3 4</b>                                                           |     |
| 1    | 1011694   | Accelerator Bracket and Bearing Assembly .....                           | 2   |
| 2    | 1011931   | Washer, 1/4 Flat .....                                                   | 1   |
| 3    | 1014007   | Washer, 1/4 Flat .....                                                   | 4   |
| 4    | 1017378   | Cup, Spring .....                                                        | 1   |
| 5    | 1017380   | Bumper, Spring Return .....                                              | 1   |
| 6    | 1017424   | Bearing, Pivot Support .....                                             | 1   |
| 7    | 1017696   | Sub Asm, Accelerator Pedal (includes items 8 through 10) .....           | 1   |
| 8    | 1013871   | Pad, Accelerator Pedal .....                                             | 1   |
| 9    | N/A       | Accelerator Pedal Weldment .....                                         | 1   |
| 10   | 7716      | Screw, #10-16 Type AB, Sheet Metal .....                                 | 4   |
| 11   | 101796201 | Spring, Accelerator Return .....                                         | 1   |
| 12   | 101817401 | Retainer, Spring .....                                                   | 1   |
| 13   | 101861901 | Screw, 1/4-20 X 1.125 Hex Cap .....                                      | 4   |
| 14   | 101862001 | Screw, 1/4-20 X 1.500 Flange .....                                       | 1   |
| 15   | 102026001 | Kit, Accelerator Pivot Rod Assembly (includes items 16 through 18) ..... | 1   |
| 16   | 1011700   | Spacer Assembly (includes item 17) .....                                 | 1   |
| 17   | N/A       | Spacer, Accelerator .....                                                | 1   |
| 18   | N/A       | Pivot Rod Weldment .....                                                 | 1   |
| 19   | 1241      | Washer, 5/16 Type A Flat .....                                           | 1   |
| 20   | 1624      | Screw, 3/8-16 X 1.50 Hex-Head Cap .....                                  | 1   |
| 21   | 334       | Washer, 3/8 Type A Flat .....                                            | 2   |
| 22   | 7473      | Locknut, 5/16-18 Nylon Insert .....                                      | 1   |
| 23   | 8233      | Locknut, 1/4-20 Nylon Insert .....                                       | 4   |
| 24   | 8717      | Locknut, 1/4-28 Nylon Insert .....                                       | 1   |
| 25   | 8754      | Locknut, 3/8-16 Hex .....                                                | 2   |

**4**  
**G**  
**E**

**4**  
**G**  
**E**



000362-001

# ACCELERATOR ROD

| ITEM | PART NO.  | DESCRIPTION                                         | QTY |
|------|-----------|-----------------------------------------------------|-----|
|      |           | 1 2 3 4                                             |     |
| 1    | 101912401 | Rod, Accelerator (includes items 2 through 4) ..... | 1   |
| 2    | 1011084   | Nut, 1/4-28 Hex Jam .....                           | 2   |
| 3    | 1011734   | Joint, Ball .....                                   | 2   |
| 4    | N/A       | Accelerator Rod .....                               | 1   |

4

G

E

**4**

**G**

**E**



# STEERING, FRONT AND REAR SUSPENSION

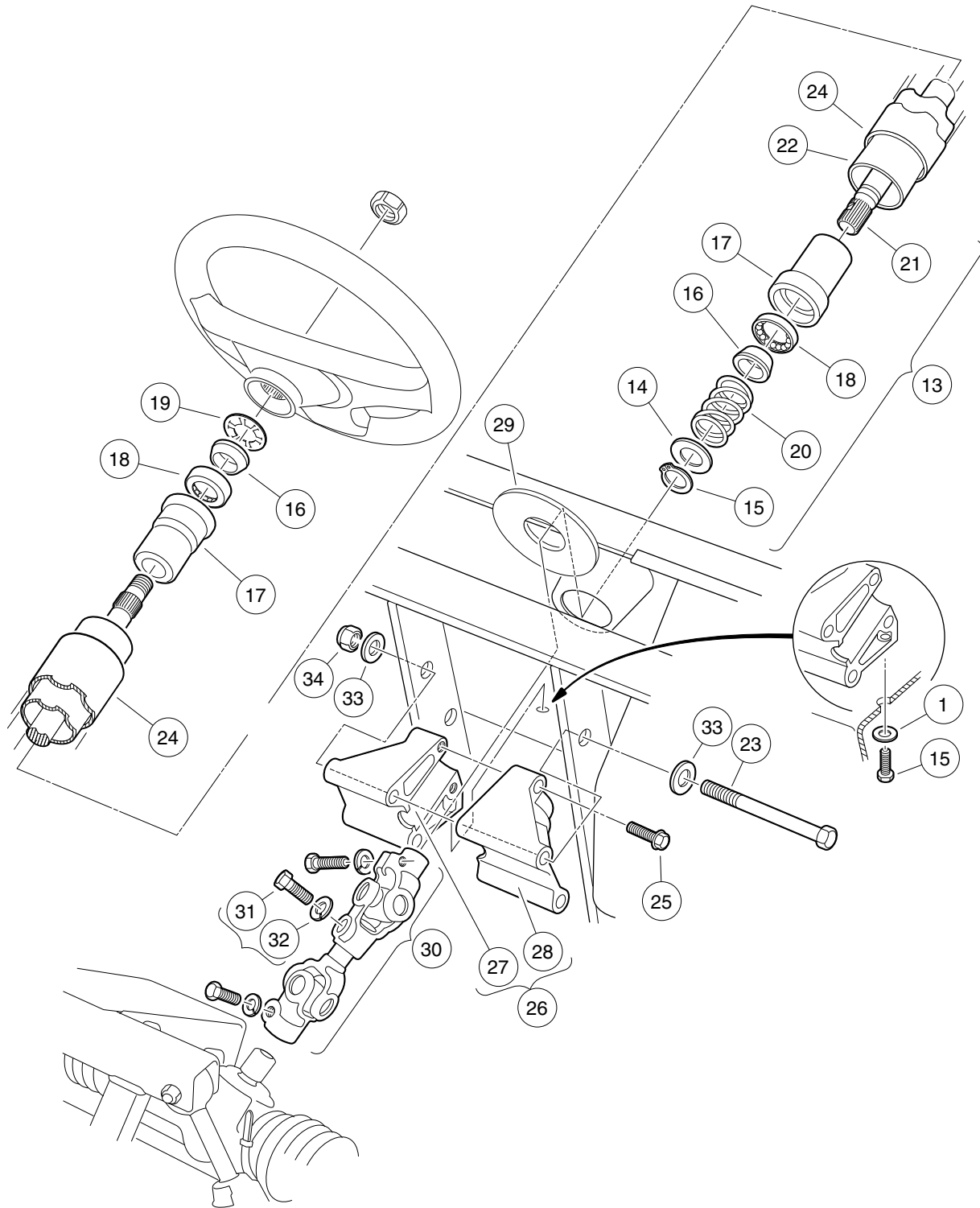
---

5

G

E

**5**  
**G**  
**E**



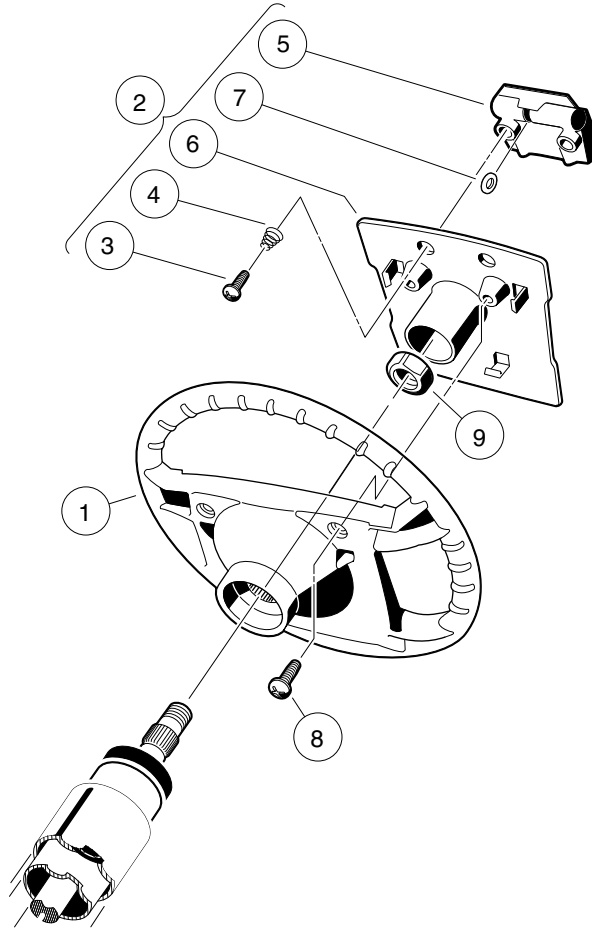
000247-002

# STEERING COLUMN

| ITEM | PART NO.  | DESCRIPTION                                                            | QTY |
|------|-----------|------------------------------------------------------------------------|-----|
|      |           | <b>1 2 3 4</b>                                                         |     |
| 1    | 1011697   | Washer, 5/16 Flat .....                                                | 1   |
| 2    | 1014216   | Steering Column Rebuild Kit (includes items 3 through 11) .....        | 1   |
| 3    | 1012466   | Dust Cover .....                                                       | 1   |
| 4    | 1012605   | Ring, 0.579 Internal Retaining .....                                   | 1   |
| 5    | 1014125   | Wedge, Molded .....                                                    | 2   |
| 6    | 1014126   | Seat, Plastic Bearing .....                                            | 2   |
| 7    | 1014211   | Seal, Bearing .....                                                    | 1   |
| 8    | 1014212   | Spacer, Shaft .....                                                    | 1   |
| 9    | 1014213   | Bearing, Ball .....                                                    | 2   |
| 10   | 1014214   | Ring, Retaining .....                                                  | 1   |
| 11   | 1014217   | Spring, Steering Shaft .....                                           | 1   |
| 12   | 1014288   | Screw, 5/16-18 X 0.75 Thread-Forming .....                             | 1   |
| 13   | 1016181   | Steering Shaft Assembly (includes items 14 through 22) .....           | 1   |
| 14   | 1012604   | Washer, 0.675 ID X 1.19 OD .....                                       | 1   |
| 15   | 1012605   | Ring, 0.579 Internal Retaining .....                                   | 1   |
| 16   | 1014125   | Wedge, Molded .....                                                    | 2   |
| 17   | 1014126   | Seat, Plastic Bearing .....                                            | 2   |
| 18   | 1014213   | Bearing, Ball .....                                                    | 2   |
| 19   | 1014214   | Ring, Retaining .....                                                  | 1   |
| 20   | 1014217   | Spring, Steering Shaft .....                                           | 1   |
| 21   | 1015545   | Shaft, Steering Column .....                                           | 1   |
| 22   | 1016622   | Column, Aluminum Steering .....                                        | 1   |
| 23   | 1016183   | Screw, 3/8-16 X 7.00 Hex Cap .....                                     | 2   |
| 24   | 1016263   | Cover, Steering Column Tube .....                                      | 1   |
| 25   | 1016269   | Screw, 5/16-18 Thrd Forming .....                                      | 2   |
| 26   | 101984801 | Kit, Steering Column Mounting Bracket (includes items 27 and 28) ..... | 1   |
| 27   | N/A       | Bracket, RH Steering Column Mount .....                                | 1   |
| 28   | N/A       | Bracket, LH Steering column mount .....                                | 1   |
| 29   | 102278001 | Boot, Steering Column Round .....                                      | 1   |
| 30   | 103601601 | Shaft, Intermediate Steering (includes items 31 and 32) .....          | 1   |
| 31   | 1017226   | Bolt, Hex-Head, 8mm X 1.25 - 30 .....                                  | 3   |
| 32   | 7174      | Lockwasher, 5/16 Split .....                                           | 3   |
| 33   | 334       | Washer, 3/8 Type A Flat .....                                          | 4   |
| 34   | 8754      | Locknut, 3/8-16 Hex .....                                              | 2   |

**5**  
**G**  
**E**

**5**  
**G**  
**E**



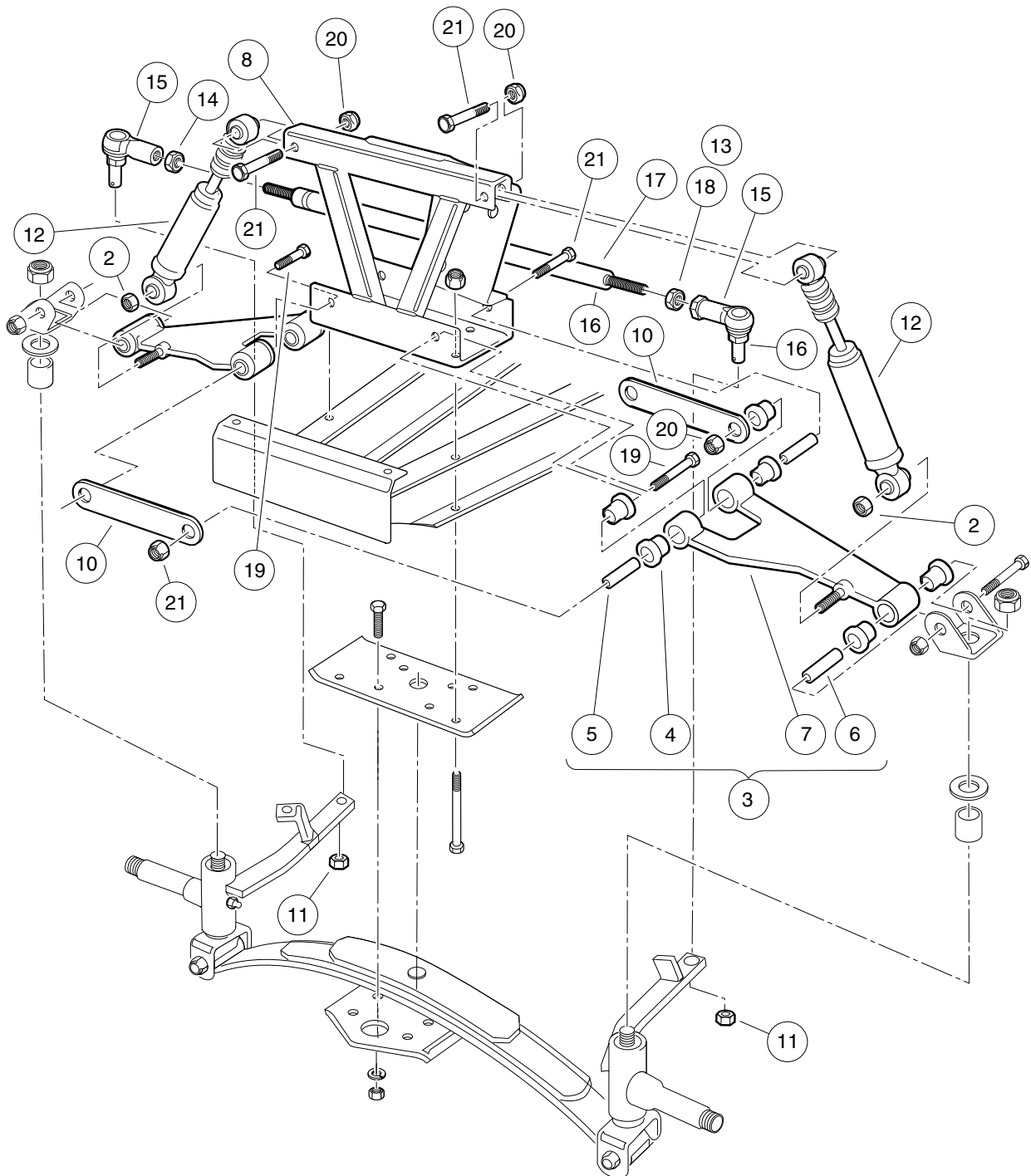
000246-002

# STEERING WHEEL

| ITEM | PART NO. | DESCRIPTION                                         | QTY |
|------|----------|-----------------------------------------------------|-----|
|      |          | <b>1 2 3 4</b>                                      |     |
| 1    | 1016156  | Wheel, Steering .....                               | 1   |
| 2    | 1016219  | Plate, Scorecard (includes items 3 through 7) ..... | 1   |
| 3    | 1012565  | Screw, #12 Phillips Round Head .....                | 2   |
| 4    | 1012566  | Tapered Compression Spring .....                    | 2   |
| 5    | 1016154  | Clip, Scorecard .....                               | 1   |
| 6    | N/A      | Plate, Score Card .....                             | 1   |
| 7    | 1016214  | Pencil Grip .....                                   | 1   |
| 8    | 1016663  | Screw, #12-14 X 0.625 .....                         | 2   |
| 9    | 1017273  | Nut, 5/8-18 Nylon Insert Jam .....                  | 1   |

**5**  
**G**  
**E**

**5**  
**G**  
**E**



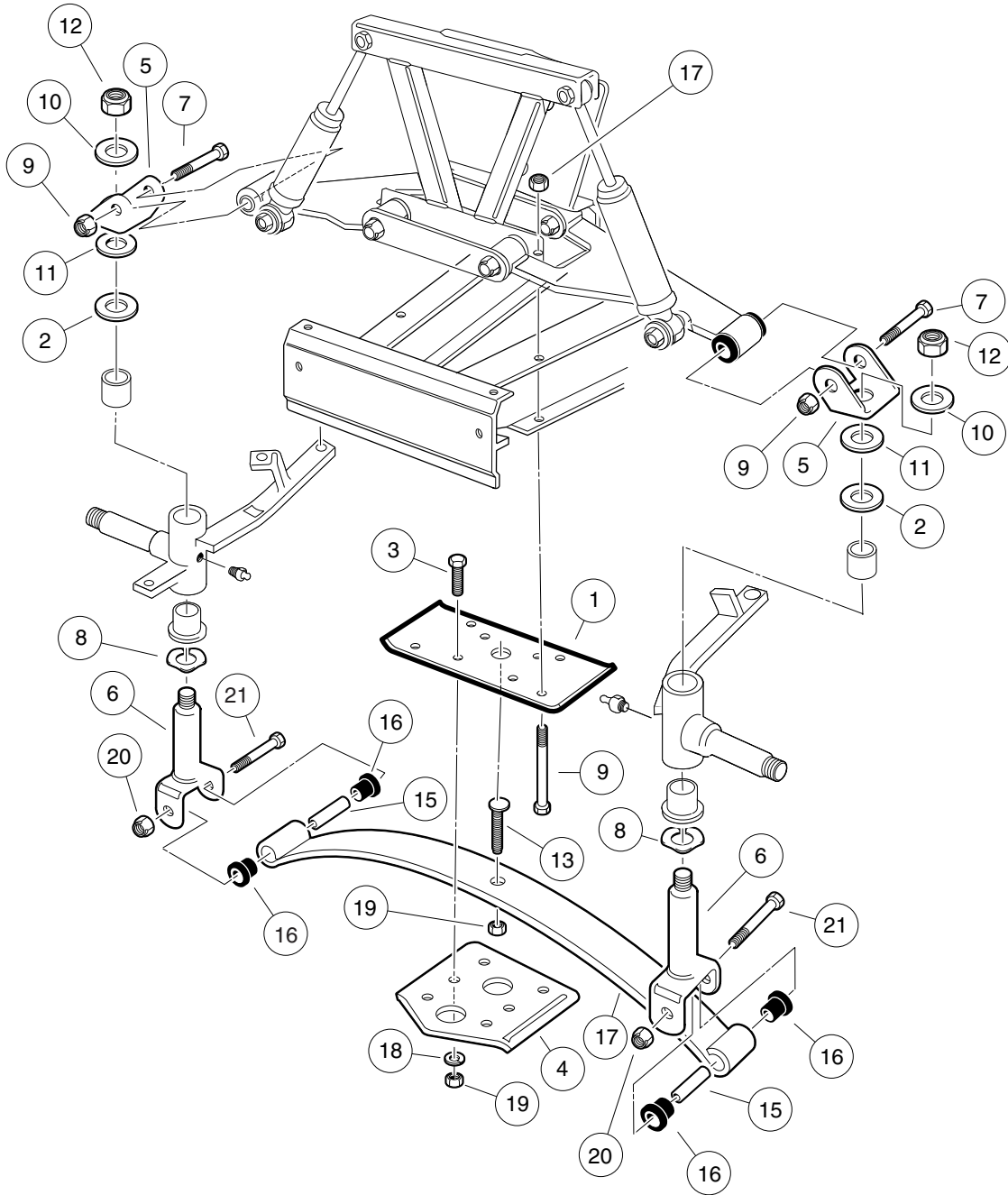
000312-002

## FRONT SUSPENSION, UPPER

| ITEM | PART NO.  | DESCRIPTION                                                      | QTY |
|------|-----------|------------------------------------------------------------------|-----|
|      |           | 1 2 3 4                                                          |     |
| 1    | N/A       | Sub, Fr Susp. -1 Lf-2wb Golf (includes items 2 through 21) ..... | A/R |
| 2    | 1010138   | Locknut, 3/8-16 Dimpled .....                                    | 2   |
| 3    | 1016353   | Sub-Assembly, Delta A-Plate (includes items 4 through 7) .....   | 2   |
| 4    | 1016346   | Bushing, Urethane .....                                          | 6   |
| 5    | 1016349   | Sleeve, Delta Inner .....                                        | 2   |
| 6    | 1016350   | Sleeve, Delta Outer .....                                        | 1   |
| 7    | N/A       | Delta A-Plate .....                                              | 1   |
| 8    | 1016385   | Delta Shock and Gear Support Assembly .....                      | 1   |
| 9    | 1016387   | Screw, 3/8-16 X 2.75 Hx Hd Cap .....                             | 2   |
| 10   | 1017266   | A-Plate Strap .....                                              | 2   |
| 11   | 102289201 | Nut - Hex Locking, M12 X 1.25 .....                              | 3   |
| 12   | 103351001 | Shock Absorber, Front, Common .....                              | 2   |
| 13   | N/A       | Asm, Tie Rod (includes items 14 through 18) .....                | 1   |
| 14   | 1013042   | Nut, 12mm Hex .....                                              | 1   |
| 15   | 102022601 | End, Tie Rod M12 X 1.25 Rh .....                                 | 1   |
| 16   | 102022602 | End, Tie Rod, M12 X 1.25, Lh .....                               | 1   |
| 17   | 103354701 | Rod, Tie, Male Thd .....                                         | 1   |
| 18   | 103653501 | Nut, Jam, M12-1.25, Lh .....                                     | 1   |
| 19   | 2402      | Screw, 3/8-16 X 2.25 Hx Hd Cap .....                             | 4   |
| 20   | 8754      | Locknut, 3/8-16 Hex .....                                        | 13  |
| 21   | 8861      | Bolt, 3/8-16 X 1.75 Hex .....                                    | 2   |

5  
G  
E

**5**  
**G**  
**E**



000311-001

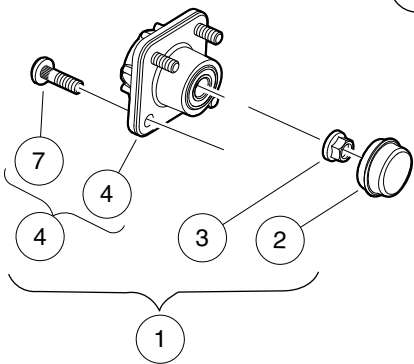
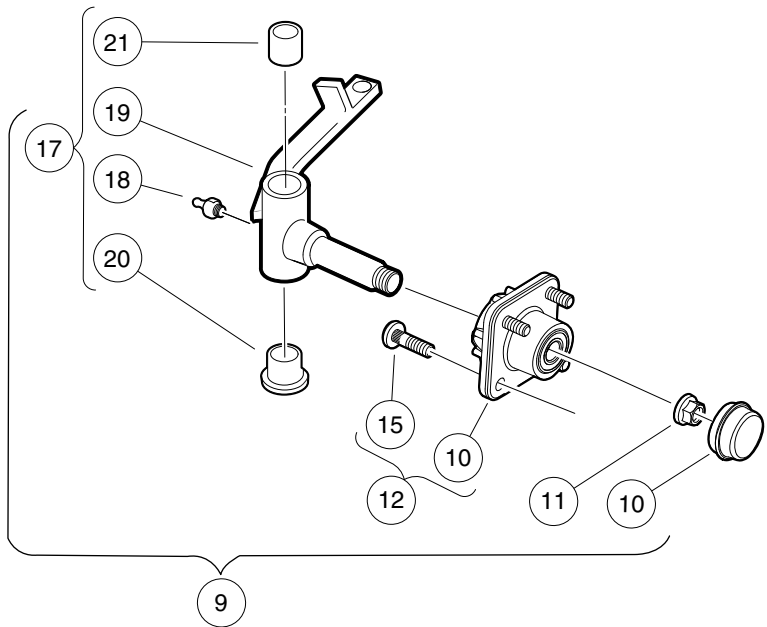
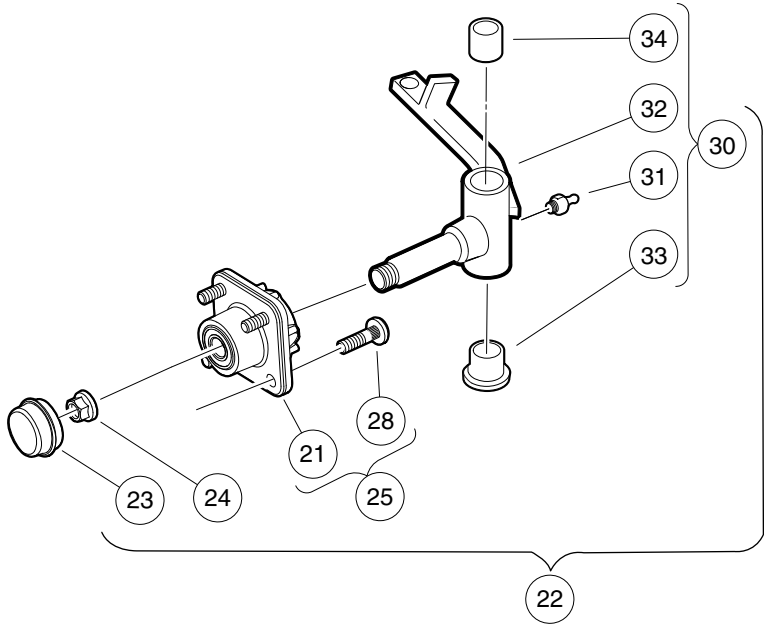


## FRONT SUSPENSION, LOWER

| ITEM | PART NO.  | DESCRIPTION                                                    | QTY |
|------|-----------|----------------------------------------------------------------|-----|
|      |           | <b>1 2 3 4</b>                                                 |     |
| 1    | 1010124   | Plate, Spring Mount .....                                      | 1   |
| 2    | 1010150   | Bearing, Thrust .....                                          | 2   |
| 3    | 1010177   | Bolt, 3/8-16 X 2.00 Hex Head .....                             | 4   |
| 4    | 1014276   | Plate, Front Spring Retainer .....                             | 1   |
| 5    | 1016384   | Clevis, Delta Upper .....                                      | 2   |
| 6    | 1016386   | King Pin Assembly .....                                        | 2   |
| 7    | 1016387   | Screw, 3/8-16 X 2.75 Hx Hd Cap .....                           | 2   |
| 8    | 1016389   | Washer, 1.125 Od Wave .....                                    | 2   |
| 9    | 101870501 | Screw, 3/8-16 X 4.75 Hx Hd Cap .....                           | 4   |
| 10   | 102564002 | Washer-1/2 Conical, Yellow .....                               | 2   |
| 11   | 102684501 | Washer, M12 Hard Regular .....                                 | 2   |
| 12   | 102766301 | Nut, 1/2-20, Center Lock .....                                 | 2   |
| 13   | 103507001 | Eccentric Bolt Common .....                                    | 1   |
| 14   | 103628701 | Spring Asm, Front, 1 Leaf (includes items 15 through 17) ..... | 1   |
| 15   | 1012303   | Bushing, Steel .....                                           | 2   |
| 16   | 1015583   | Bushing, Urethane .....                                        | 4   |
| 17   | N/A       | Spring, Front, 1 Leaf .....                                    | 1   |
| 18   | 357       | Lockwasher, 3/8 Split .....                                    | 4   |
| 19   | 706       | Nut, Hex 3/8-16 .....                                          | 1   |
| 20   | 8754      | Locknut, 3/8-16 Hex .....                                      | 4   |
| 21   | 8755      | Screw, 3/8-16 X 3.375 Hex Cap .....                            | 2   |

**5**  
**G**  
**E**

**5**  
**G**  
**E**



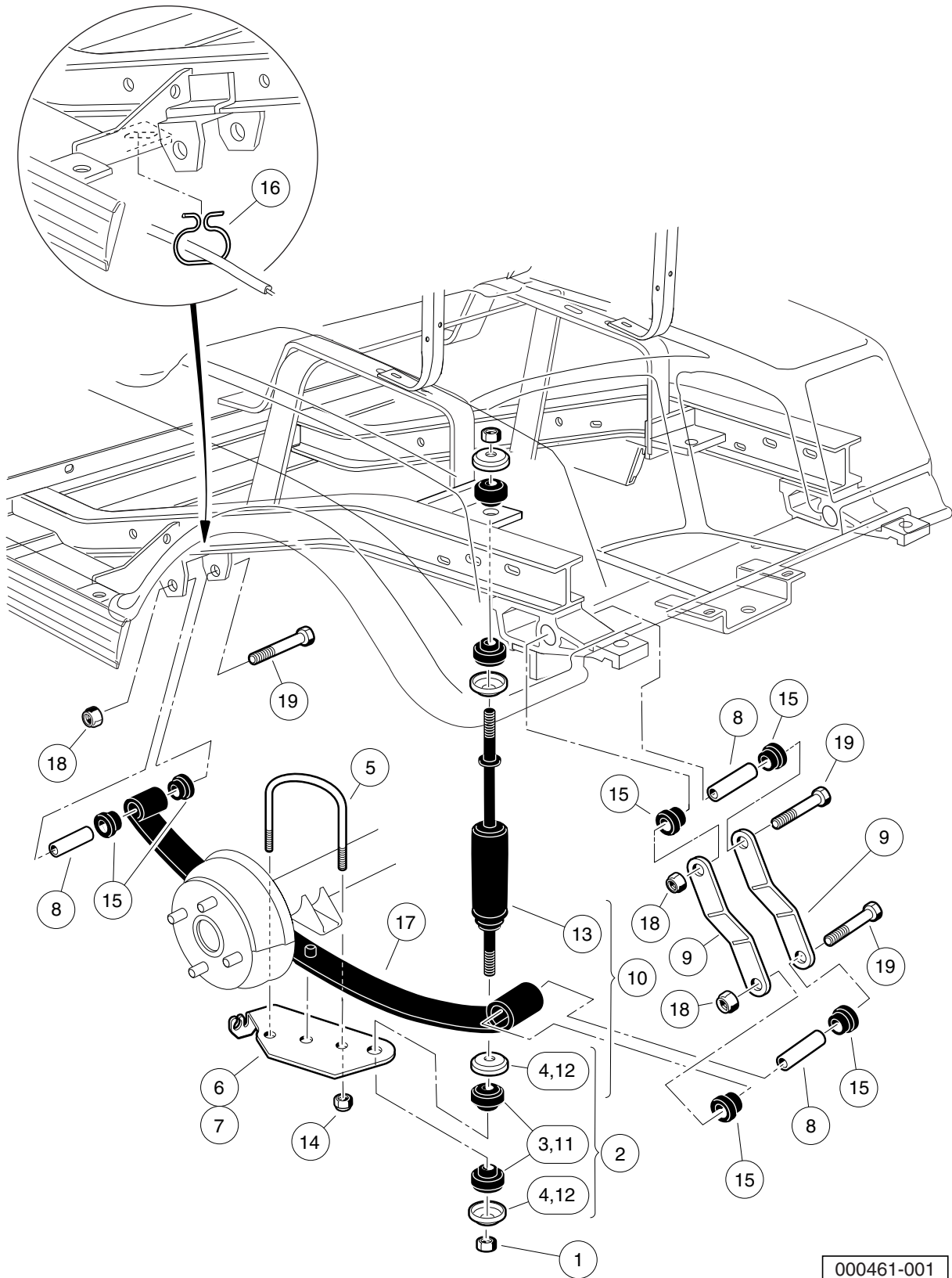
000301-002

# FRONT SPINDLES AND HUBS

| ITEM | PART NO.  | DESCRIPTION                                                        | QTY |
|------|-----------|--------------------------------------------------------------------|-----|
|      |           | <b>1 2 3 4</b>                                                     |     |
| 1    | 102357701 | Replacement Kit, Front Hub (includes items 2 through 4) .....      | 2   |
| 2    | 102353201 | Cap, Front Hub .....                                               | 1   |
| 3    | 102353301 | Hex Nut, Locking Flange, M14x2 .....                               | 1   |
| 4    | N/A       | Asm, Front Hub, Bb, Long Stud (includes items 5 through 8) .....   | 1   |
| 5    | N/A       | Bearing, Ball, 6204 .....                                          | 2   |
| 6    | N/A       | Spacer, Bearing, Front Hub, Pm .....                               | 1   |
| 7    | 103477901 | Lug Stud, 1/2-20 Unf, 4037 .....                                   | 4   |
| 8    | N/A       | Front Hub, Ball Brg, Long Stud .....                               | 1   |
| 9    | 103667301 | Asm, Frt Hub & Spndle, Rh (includes items 10 through 17) .....     | 1   |
| 10   | 102353201 | Cap, Front Hub .....                                               | 1   |
| 11   | 102353301 | Hex Nut, Locking Flange, M14x2 .....                               | 1   |
| 12   | N/A       | Asm, Front Hub, Bb, Long Stud (includes items 13 through 16) ..... | 1   |
| 13   | N/A       | Bearing, Ball, 6204 .....                                          | 2   |
| 14   | N/A       | Spacer, Bearing, Front Hub, Pm .....                               | 1   |
| 15   | 103477901 | Lug Stud, 1/2-20 Unf, 4037 .....                                   | 4   |
| 16   | N/A       | Front Hub, Ball Brg, Long Stud .....                               | 1   |
| 17   | 103667101 | Asm, Spindle, Rh (includes items 18 through 21) .....              | 1   |
| 18   | 1015597   | Fitting, 1/4-28 Thread-Forming Grease .....                        | 1   |
| 19   | 103666101 | Subasm, Spndle, Rh, 2wb .....                                      | 1   |
| 20   | 7048      | Bushing, Flanged Bronze .....                                      | 1   |
| 21   | 8067      | Bushing, Bronze Spindle .....                                      | 1   |
| 22   | 103667401 | Asm, Frt Hub & Spndle, Lh (includes items 23 through 30) .....     | 1   |
| 23   | 102353201 | Cap, Front Hub .....                                               | 1   |
| 24   | 102353301 | Hex Nut, Locking Flange, M14x2 .....                               | 1   |
| 25   | N/A       | Asm, Front Hub, Bb, Long Stud (includes items 26 through 29) ..... | 1   |
| 26   | N/A       | Bearing, Ball, 6204 .....                                          | 2   |
| 27   | N/A       | Spacer, Bearing, Front Hub, Pm .....                               | 1   |
| 28   | 103477901 | Lug Stud, 1/2-20 Unf, 4037 .....                                   | 4   |
| 29   | N/A       | Front Hub, Ball Brg, Long Stud .....                               | 1   |
| 30   | 103667201 | Asm, Spindle, Lh (includes items 31 through 34) .....              | 1   |
| 31   | 1015597   | Fitting, 1/4-28 Thread-Forming Grease .....                        | 1   |
| 32   | 103666201 | Subasm, Spndle, Lh, 2wb .....                                      | 1   |
| 33   | 7048      | Bushing, Flanged Bronze .....                                      | 1   |
| 34   | 8067      | Bushing, Bronze Spindle .....                                      | 1   |

**5**  
**G**  
**E**

**5**  
**G**  
**E**



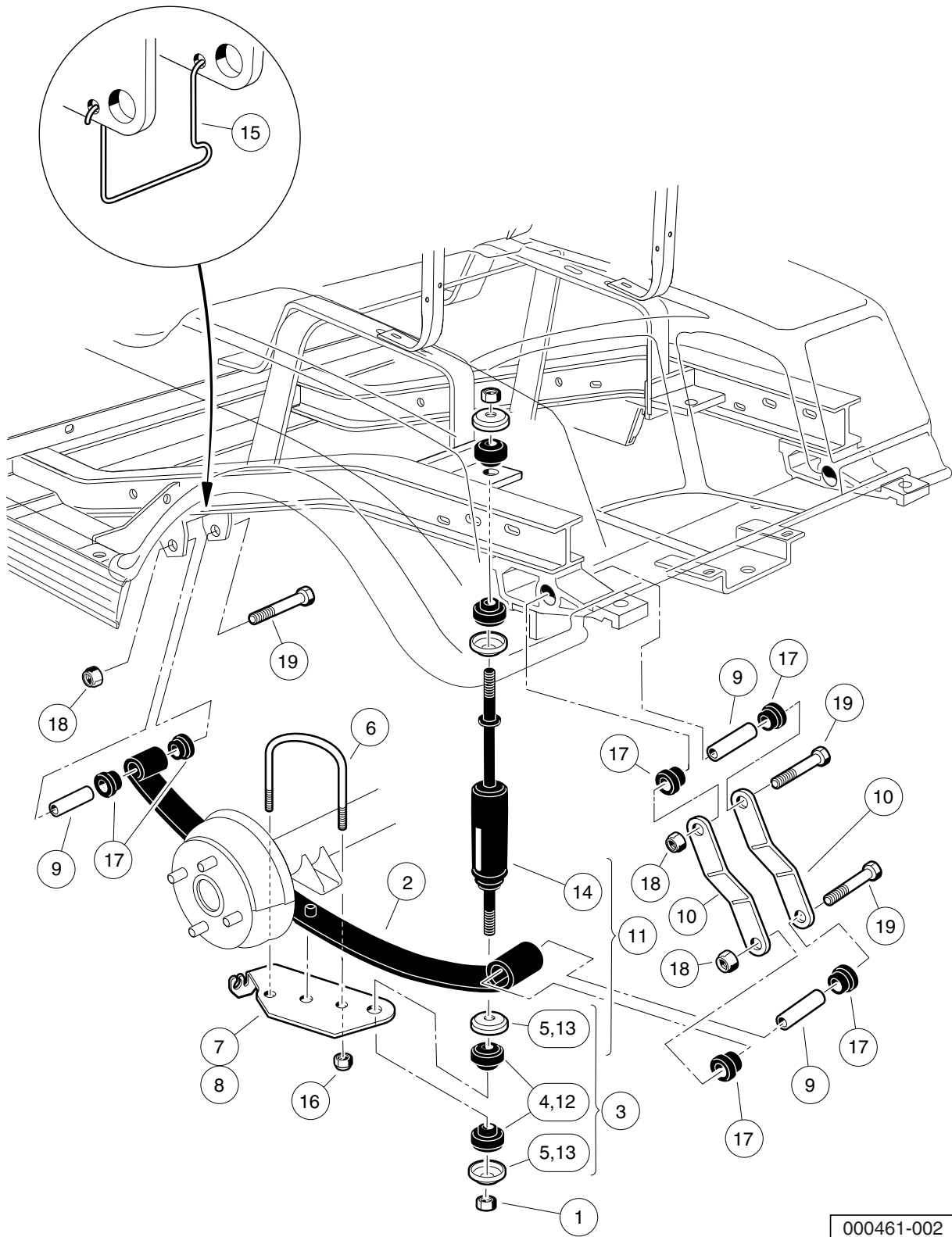
000461-001

## REAR SUSPENSION – GASOLINE VEHICLE

| ITEM | PART NO.  | DESCRIPTION                                                | QTY |
|------|-----------|------------------------------------------------------------|-----|
|      |           | 1 2 3 4                                                    |     |
| 1    | 1010145   | Nut, 3/8-24 Hex .....                                      | 4   |
| 2    | 1011415   | Kit, Shock Absorber Cushion (includes items 3 and 4) ..... | 4   |
| 3    | 1010142   | Cushion, Shock Absorber .....                              | 2   |
| 4    | 1010144   | Retainer, Shock Absorber Cushion .....                     | 2   |
| 5    | 1012180   | U-Bolt .....                                               | 2   |
| 6    | 1012181   | Bracket, Shock Mounting, Right (Passenger) .....           | 1   |
| 7    | 1012182   | Bracket, Shock Mounting, Left (Driver) .....               | 1   |
| 8    | 1012303   | Bushing, Steel .....                                       | 6   |
| 9    | 1012304   | Shackle, Rear Spring .....                                 | 4   |
| 10   | 1013164   | Shock Absorber Kit (includes items 11 through 13) .....    | 1   |
| 11   | 1010142   | Cushion, Shock Absorber .....                              | 8   |
| 12   | 1010144   | Retainer, Shock Absorber Cushion .....                     | 8   |
| 13   | 102588501 | Shock Absorber Rear Prv Spd .....                          | 2   |
| 14   | 1014555   | Locknut, 7/16-14 Nylon Hex .....                           | 4   |
| 15   | 1015583   | Bushing, Urethane .....                                    | 12  |
| 16   | 101900801 | Hanger, Brake Cable .....                                  | 2   |
| 17   | 103502901 | Spring, Rear, Ds .....                                     | 2   |
| 18   | 8754      | Locknut, 3/8-16 Hex .....                                  | 6   |
| 19   | 8755      | Screw, 3/8-16 X 3.375 Hex Cap .....                        | 6   |

5  
G  
E

**5**  
**G**  
**E**



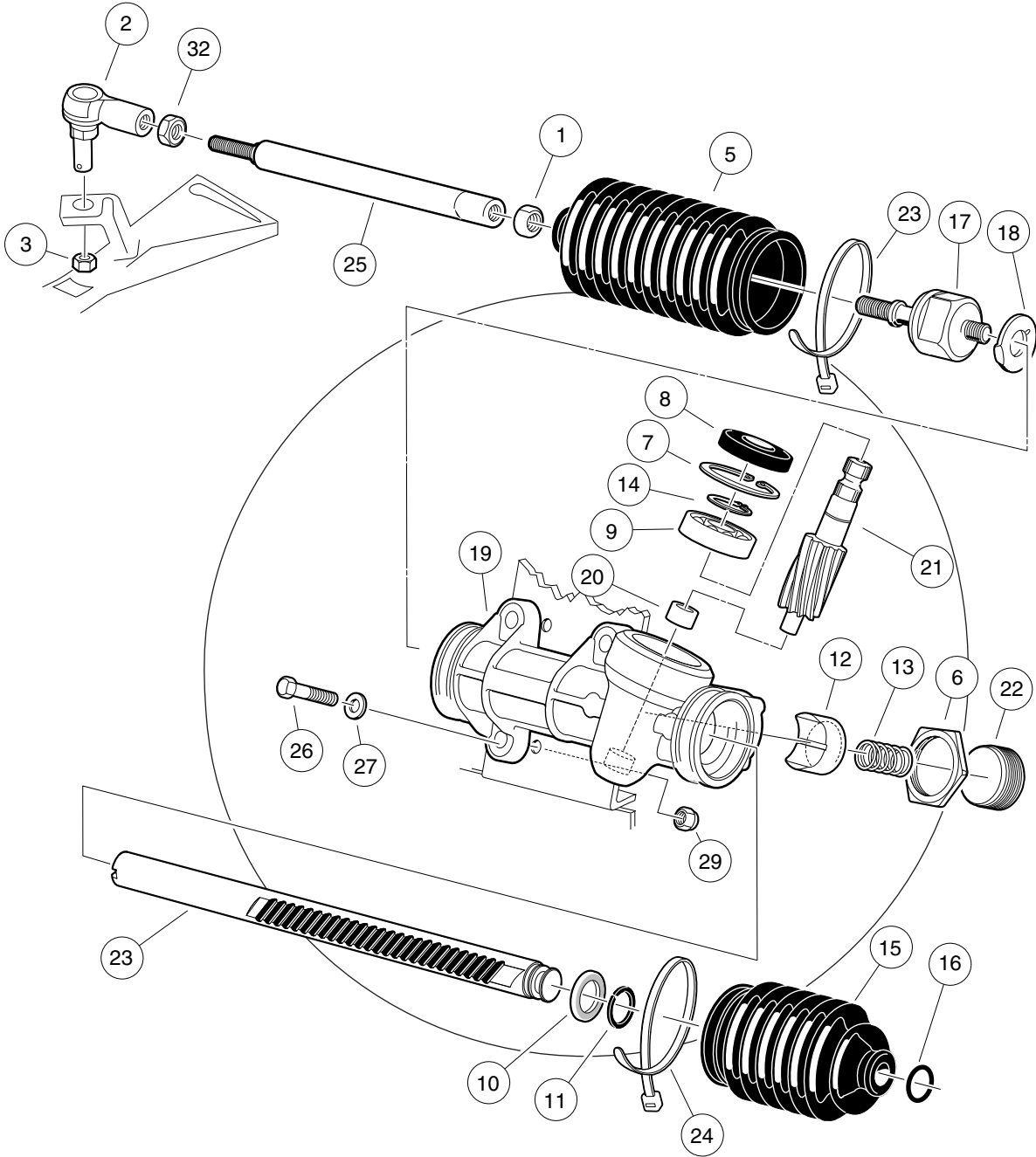
000461-002

## REAR SUSPENSION – ELECTRIC VEHICLE

| ITEM | PART NO.  | DESCRIPTION                                                | QTY |
|------|-----------|------------------------------------------------------------|-----|
|      |           | 1 2 3 4                                                    |     |
| 1    | 1010145   | Nut, 3/8-24 Hex .....                                      | 4   |
| 2    | 1011415   | Kit, Shock Absorber Cushion (includes items 3 and 4) ..... | 4   |
| 3    | 1010142   | Cushion, Shock Absorber .....                              | 2   |
| 4    | 1010144   | Retainer, Shock Absorber Cushion .....                     | 2   |
| 5    | 1012180   | U-Bolt .....                                               | 2   |
| 6    | 1012181   | Bracket, Shock Mounting, Right (Passenger) .....           | 1   |
| 7    | 1012182   | Bracket, Shock Mounting, Left (Driver) .....               | 1   |
| 8    | 1012303   | Bushing, Steel .....                                       | 6   |
| 9    | 1012304   | Shackle, Rear Spring .....                                 | 4   |
| 10   | 1013164   | Shock Absorber Kit (includes items 11 through 13) .....    | 1   |
| 11   | 1010142   | Cushion, Shock Absorber .....                              | 8   |
| 12   | 1010144   | Retainer, Shock Absorber Cushion .....                     | 8   |
| 13   | 102588501 | Shock Absorber Rear Prv Spd .....                          | 2   |
| 14   | 1013207   | Hanger, Brake Cable .....                                  | 2   |
| 15   | 1014555   | Locknut, 7/16-14 Nylon Hex .....                           | 4   |
| 16   | 1015583   | Bushing, Urethane .....                                    | 12  |
| 17   | 103629001 | Spring Asm, Rear, Ds .....                                 | 2   |
| 18   | 8754      | Locknut, 3/8-16 Hex .....                                  | 6   |
| 19   | 8755      | Screw, 3/8-16 X 3.375 Hex Cap .....                        | 6   |

5  
G  
E

**5**  
**G**  
**E**



000960-001



## STEERING GEAR ASSEMBLY

| ITEM | PART NO.  | DESCRIPTION                                                       | QTY |
|------|-----------|-------------------------------------------------------------------|-----|
|      |           | <b>1 2 3 4</b>                                                    |     |
| 1    | 1013042   | Nut, 12mm Hex .....                                               | 1   |
| 2    | 102022602 | End, Tie Rod, M12 X 1.25, Lh .....                                | 1   |
| 3    | 102289201 | Nut - Hex Locking, M12 X 1.25 .....                               | 3   |
| 4    | 103601501 | Asm, Steering Rack And Pinion (includes items 5 through 24) ..... | 1   |
| 5    | 1013035   | Bellows, Long .....                                               | 1   |
| 6    | 1013044   | Rack Screw Locknut .....                                          | 1   |
| 7    | 1013051   | Snap Ring .....                                                   | 1   |
| 8    | 1013052   | Seal, Steering Pinion Dust .....                                  | 1   |
| 9    | 101879401 | Bearing, Ball .....                                               | 1   |
| 10   | 101879501 | Stop Washer .....                                                 | 1   |
| 11   | 101879601 | Stop Ring, C-Type .....                                           | 1   |
| 12   | 101879701 | Support Yoke .....                                                | 1   |
| 13   | 101879801 | Rack Guide Pressure Spring .....                                  | 1   |
| 14   | 101879901 | Ring, Stop, C-Type .....                                          | 1   |
| 15   | 101880001 | Bellows, Short .....                                              | 1   |
| 16   | 101880101 | Dust Seal Retaining Ring .....                                    | 1   |
| 17   | 101880201 | Inner Ball Joint Asm .....                                        | 1   |
| 18   | 101880301 | Washer, Tab .....                                                 | 1   |
| 19   | N/A       | Box, Steering Gear .....                                          | 1   |
| 20   | N/A       | Bearing, Lower Pinion .....                                       | 1   |
| 21   | N/A       | Pinion, Steering .....                                            | 1   |
| 22   | N/A       | Screw, Rack Guide .....                                           | 1   |
| 23   | N/A       | Rack, Steering .....                                              | 1   |
| 24   | 8990      | Tie Wrap, 8" Nylon .....                                          | 2   |
| 25   | 103653401 | Link, Drag, Male Thd .....                                        | 1   |
| 26   | 1624      | Screw, 3/8-16 X 1.50 Hex-Head Cap .....                           | 3   |
| 27   | 334       | Washer, 3/8 Type A Flat .....                                     | 3   |
| 28   | 7555      | Nut, 1/2-20 Hex, Left-Hand Thread .....                           | 1   |
| 29   | 8754      | Locknut, 3/8-16 Hex .....                                         | 3   |

**5**  
**G**  
**E**

**5**

**G**

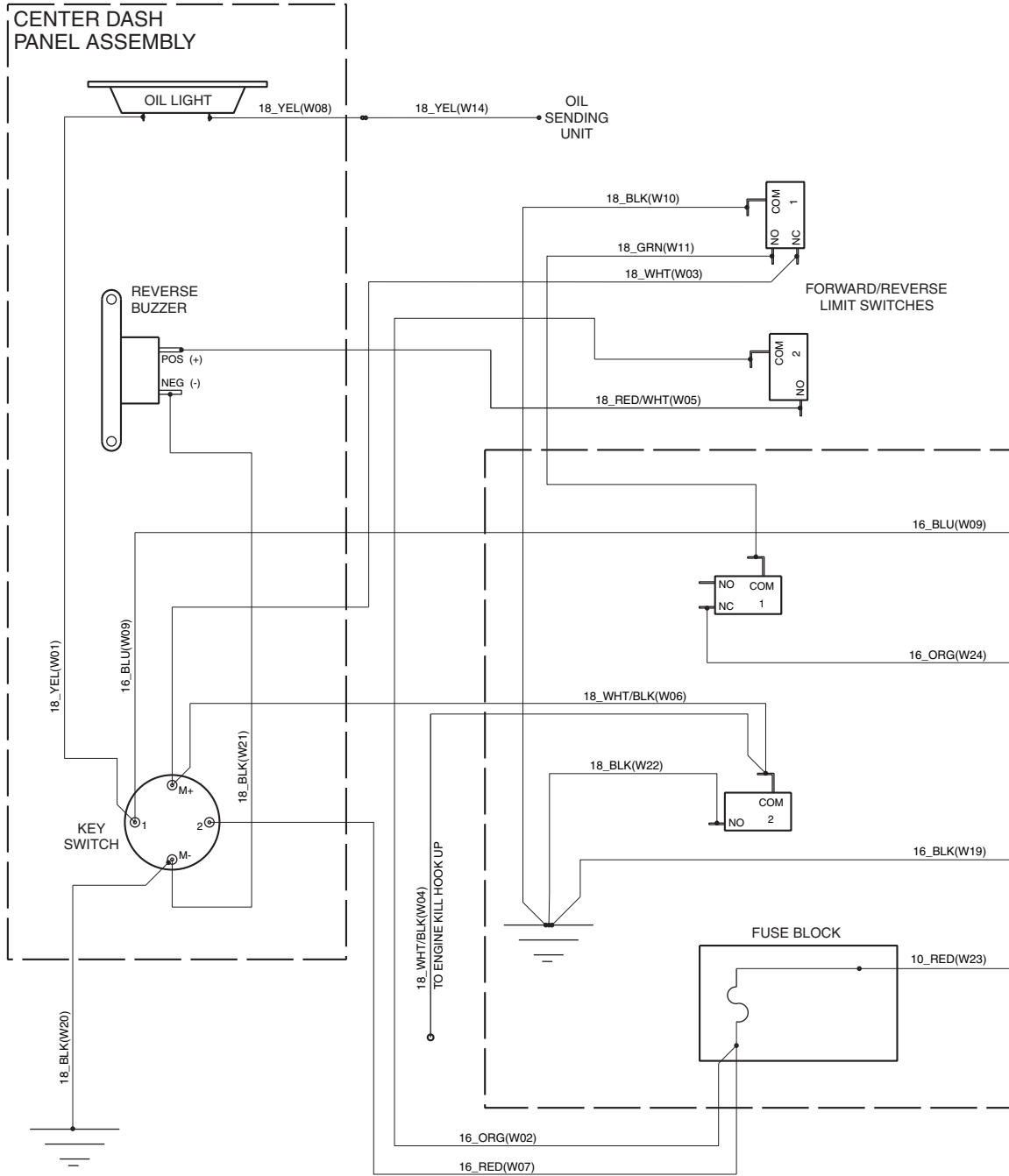
**E**

# ELECTRICAL SYSTEM – GASOLINE VEHICLE

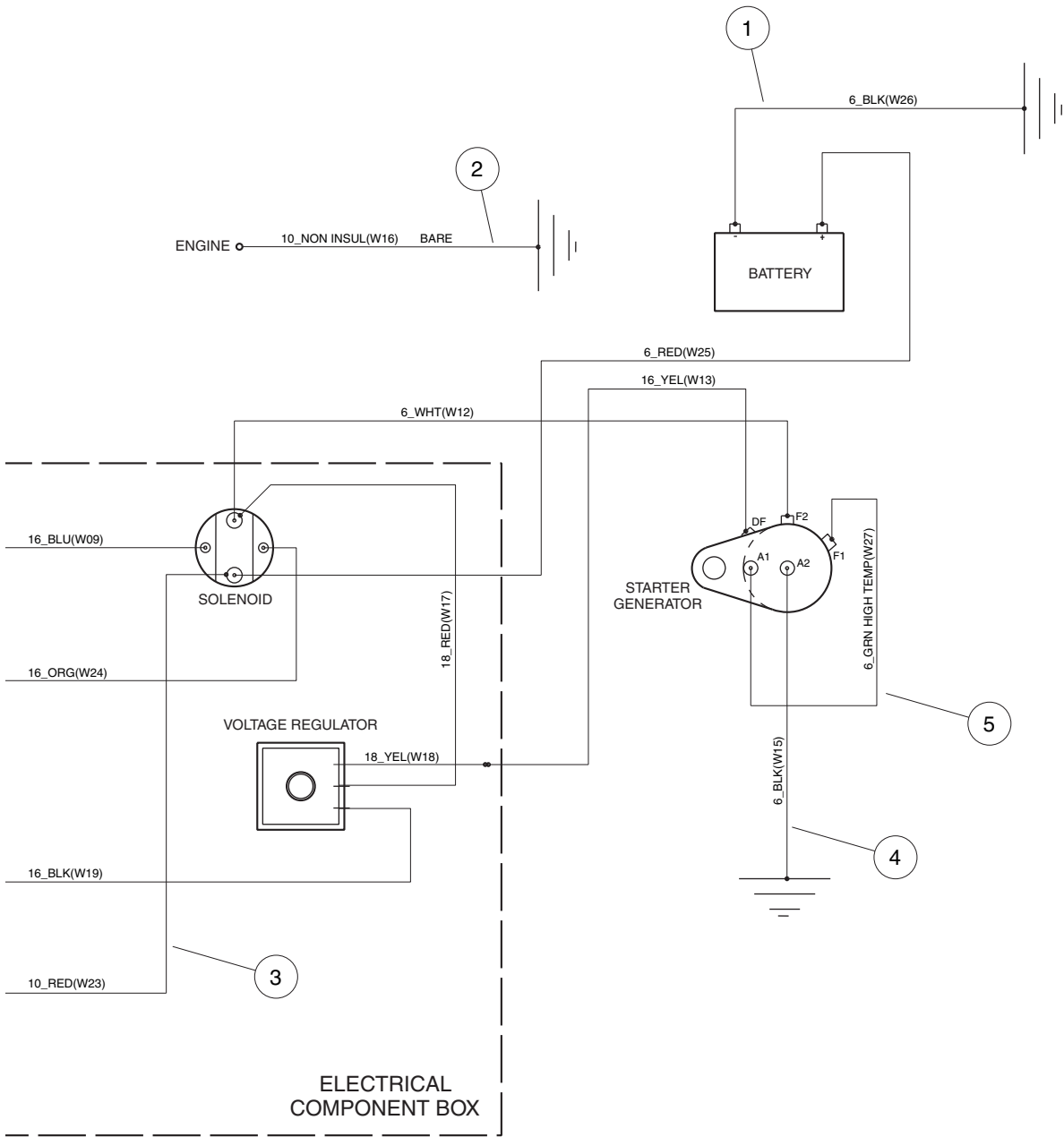
---

6

G



000468-001



000468-001

6

G

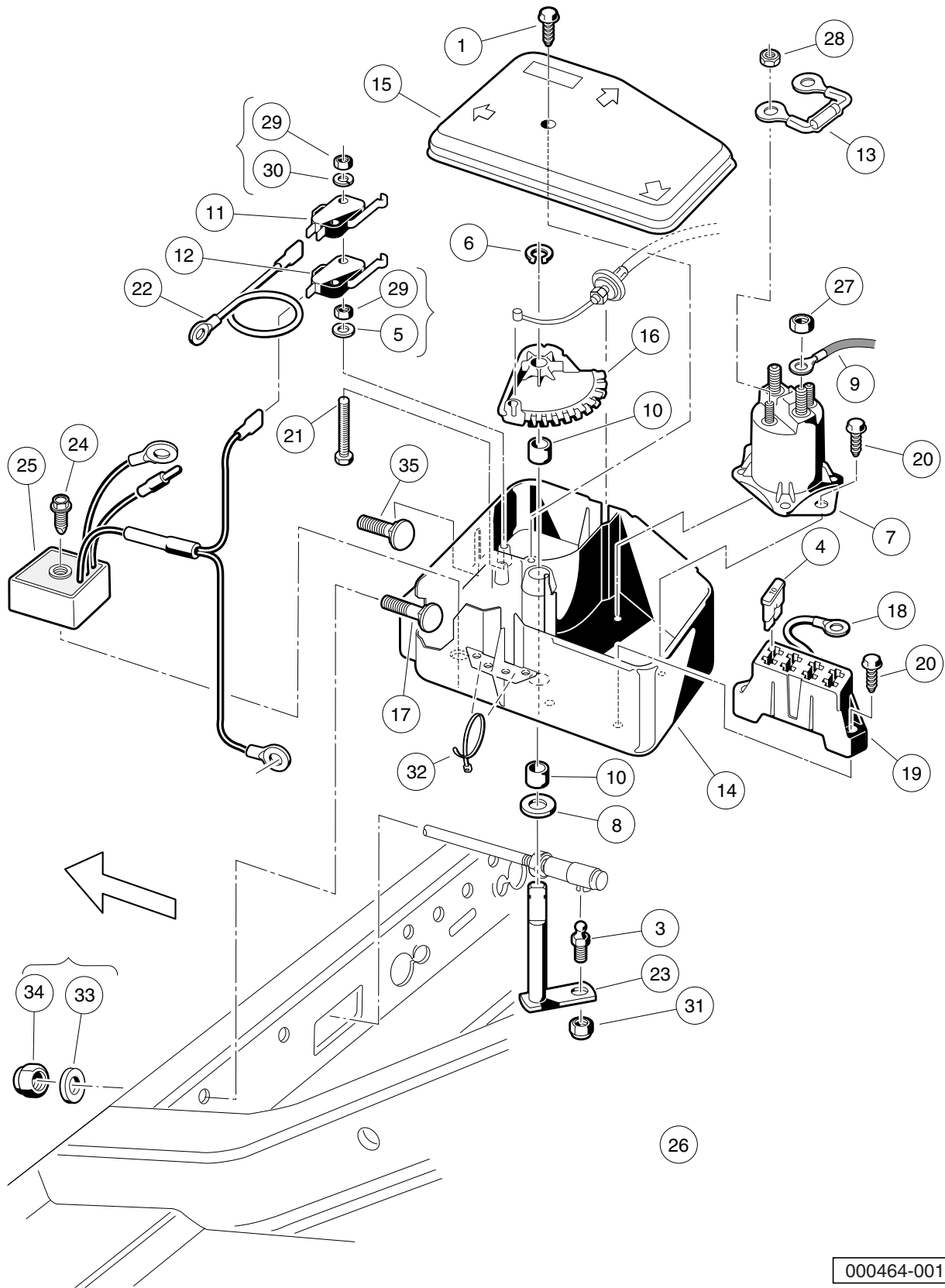
See previous two pages for illustration.

# WIRING

| ITEM | PART NO.  | DESCRIPTION                           | QTY |
|------|-----------|---------------------------------------|-----|
|      |           | <b>1 2 3 4</b>                        |     |
| 1    | 1012382   | Wire Assy, #6 Black .....             | 1   |
| 2    | 1015332   | Wire Assembly, #10, Uninsulated ..... | 1   |
| 3    | 1015737   | Wire Assy, #10 Red .....              | 1   |
| 4    | 1015920   | Ground Wire Assembly .....            | 1   |
| 5    | 101837301 | Wire Assy, #6 Green .....             | 1   |
| 6    | 103332302 | Assy Wire Harness Gas Ds Kit .....    | 1   |

**6**

**G**



000464-001

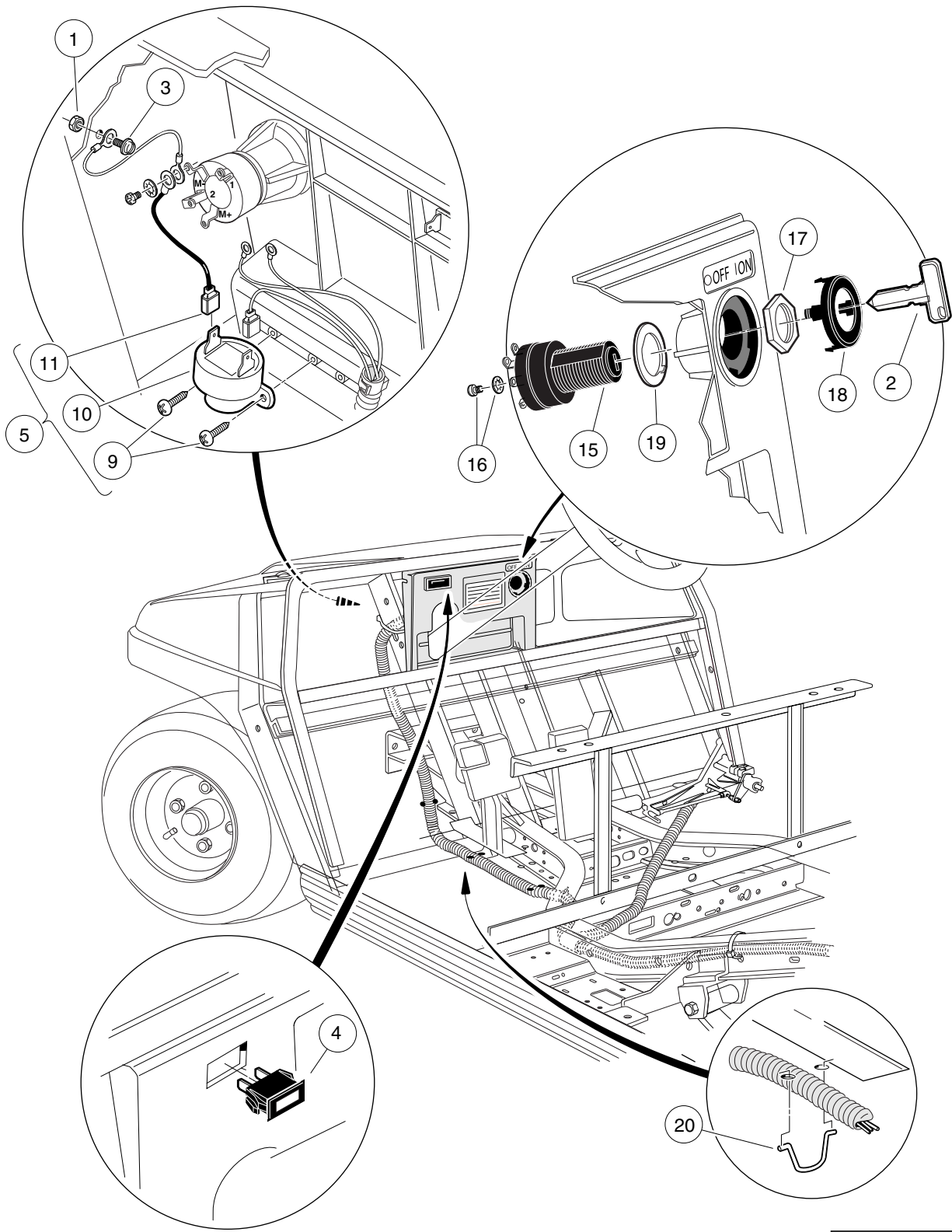


# ELECTRICAL COMPONENT BOX – GASOLINE VEHICLE

| ITEM | PART NO.  | DESCRIPTION                                                     | QTY |
|------|-----------|-----------------------------------------------------------------|-----|
|      |           | 1 2 3 4                                                         |     |
| 1    | 1015752   | Screw, #12-16 X 0.625 Hi-Lo .....                               | 1   |
| 2    | 101827601 | Elec Component Box Asm , Ds (includes items 3 through 32) ..... | 1   |
| 3    | 1010954   | Stud, 1/4-28 X 0.560 Ball .....                                 | 1   |
| 4    | 1012295   | Fuse, 10-Amp .....                                              | 1   |
| 5    | 1012431   | Washer, #4 Flat .....                                           | 2   |
| 6    | 1013589   | Ring, 0.338" Internal Retaining .....                           | 1   |
| 7    | 1013609   | Solenoid, 12-Volt .....                                         | 1   |
| 8    | 1014065   | Washer, 0.38" ID Delrin Flat .....                              | 1   |
| 9    | 1014119   | Wire Assembly #6 Red .....                                      | 1   |
| 10   | 1014145   | Bushing, Secondary Weight, Split .....                          | 2   |
| 11   | 1014807   | Switch, Limit .....                                             | 1   |
| 12   | 1014808   | Switch, Limit .....                                             | 1   |
| 13   | 1014948   | Diode .....                                                     | 1   |
| 14   | 1015371   | Box, Electrical Component .....                                 | 1   |
| 15   | 1015372   | Cover, Electric Box .....                                       | 1   |
| 16   | 1015373   | Cam, Electric Box .....                                         | 1   |
| 17   | 1015405   | Bolt, Carriage, 5/16-18 X 2.0 .....                             | 1   |
| 18   | 1015737   | Wire Assy, #10 Red .....                                        | 1   |
| 19   | 1015741   | Fuse Block .....                                                | 1   |
| 20   | 1015752   | Screw, #12-16 X 0.625 Hi-Lo .....                               | 4   |
| 21   | 1015878   | Screw, #4-40 Hex Head Machine .....                             | 2   |
| 22   | N/A       | Wire Assy, #16 Orange .....                                     | 1   |
| 23   | 101821301 | Bell Crank Weld Asm .....                                       | 1   |
| 24   | 101856102 | Screw, 1/4-15 X 1.50 Hi-lo Hex .....                            | 1   |
| 25   | 102711201 | Voltage Regulator .....                                         | 1   |
| 26   | 103332302 | Assy Wire Harness Gas Ds Kit .....                              | 1   |
| 27   | 1242      | Nut, 5/16-18 Hex .....                                          | 2   |
| 28   | 7893      | Nut, #10-32 Hex .....                                           | 2   |
| 29   | 8057      | Nut, #4-40 Hex Machine .....                                    | 4   |
| 30   | 8058      | Lockwasher, #4 Split .....                                      | 2   |
| 31   | 8717      | Locknut, 1/4-28 Nylon Insert .....                              | 1   |
| 32   | 8990      | Tie Wrap, 8" Nylon .....                                        | 2   |
| 33   | 1241      | Washer, 5/16 Type A Flat .....                                  | 2   |
| 34   | 7473      | Locknut, 5/16-18 Nylon Insert .....                             | 2   |
| 35   | 7818      | Bolt, Carriage, 5/16-18 X 1.5 .....                             | 1   |

**6**  
**G**

**6**  
**G**



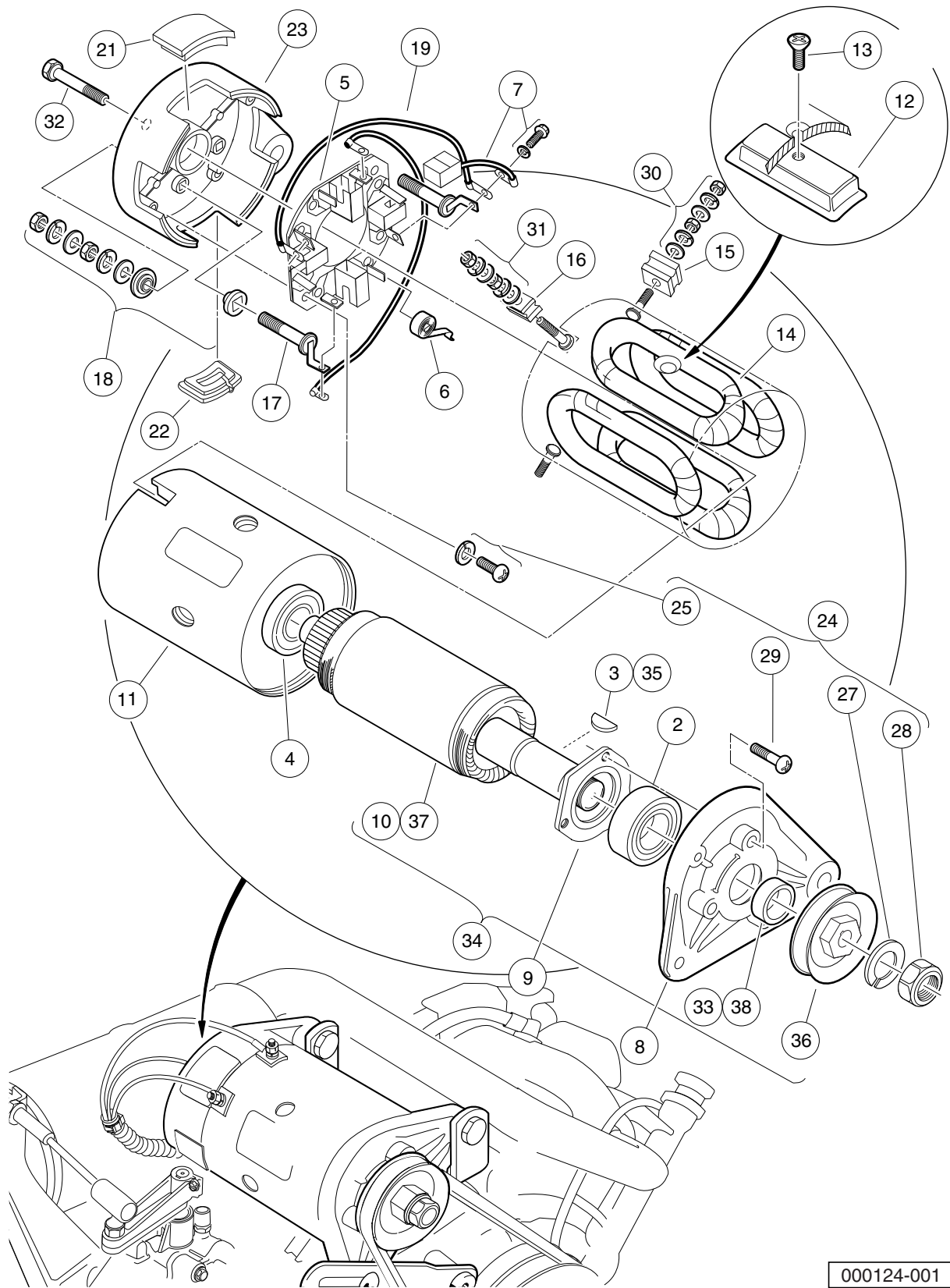
000465-001

# ELECTRICAL COMPONENTS, FRONT BODY – GASOLINE VEHICLE

| ITEM | PART NO.  | DESCRIPTION                                                                  | QTY |
|------|-----------|------------------------------------------------------------------------------|-----|
|      |           | <b>1 2 3 4</b>                                                               |     |
| 1    | 1011229   | Locknut, #6-32 Whiz .....                                                    | 1   |
| 2    | 1012505   | Keys (set of 2) .....                                                        | 1   |
| 3    | 1015720   | Screw, #6-32 X 1/2 Hex Washer-Head .....                                     | 1   |
| 4    | 1016630   | Light, Oil .....                                                             | 1   |
| 5    | 1016859   | Kit, Reverse Buzzer (includes items 6 through 14) .....                      | 1   |
| 6    | 1011229   | Locknut, #6-32 Whiz .....                                                    | 1   |
| 7    | 1012431   | Washer, #4 Flat .....                                                        | 2   |
| 8    | 1015720   | Screw, #6-32 X 1/2 Hex Washer-Head .....                                     | 1   |
| 9    | 1016849   | Screw, #4-24 X 0.33 Pan-Head Machine .....                                   | 2   |
| 10   | 1016851   | Buzzer, Reverse (9-48 VDC) .....                                             | 1   |
| 11   | 1016857   | Wire Assembly Black #18 .....                                                | 1   |
| 12   | 8056      | Screw, #4-40 X 0.75 Round-Head Machine .....                                 | 2   |
| 13   | 8057      | Nut, #4-40 Hex Machine .....                                                 | 2   |
| 14   | 8058      | Lockwasher, #4 Split .....                                                   | 2   |
| 15   | 101826301 | Key Switch, 12-Volt, Off/On .....                                            | 1   |
| 16   | 101830601 | Screw and Washer Assembly .....                                              | 4   |
| 17   | 101830701 | Nut, Key Switch .....                                                        | 1   |
| 18   | 101834502 | Cap, Black Key Switch .....                                                  | 1   |
| 19   | 101851101 | Washer, Key Switch .....                                                     | 1   |
| 20   | 101900901 | Harness Retainer .....                                                       | 3   |
| 21   | AM10079   | Bulk Std Keys (50) * .....                                                   | 1   |
|      |           | <br>Note: Some parts in Reverse Buzzer Kit are not used in this application. |     |

**6**  
**G**

**6**  
**G**

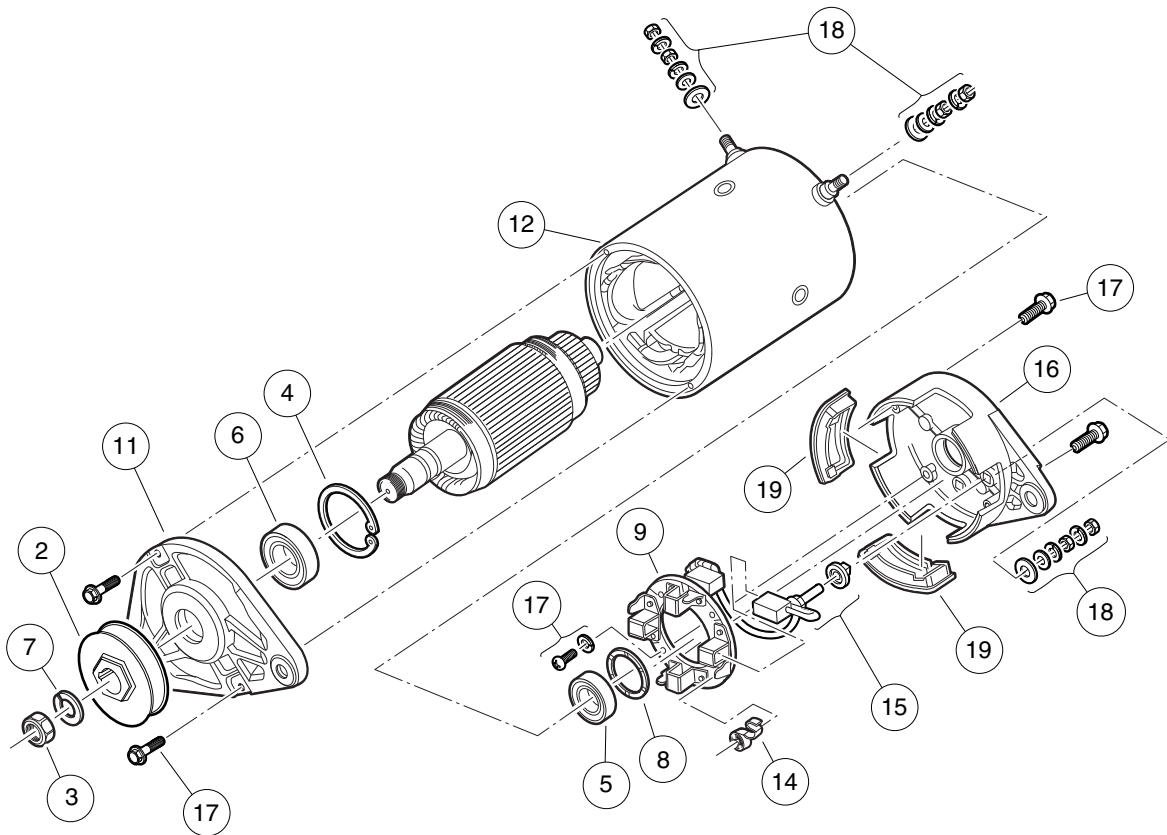


000124-001

# STARTER/GENERATOR ASSEMBLY MODEL G425419 – GASOLINE VEHICLES

| ITEM                                                         | PART NO.  | DESCRIPTION                                                      | QTY |
|--------------------------------------------------------------|-----------|------------------------------------------------------------------|-----|
|                                                              |           | 1 2 3 4                                                          |     |
| 1                                                            | 101833701 | Starter/Generator (cw) (includes items 2 through 33) .....       | 1   |
| 2                                                            | 1013001   | Bearing, Output Shaft Ball .....                                 | 1   |
| 3                                                            | 1013003   | Key, Starter/Generator .....                                     | 1   |
| 4                                                            | 1013005   | Bearing, Ball .....                                              | 1   |
| 5                                                            | 101301102 | Brush Holder Assembly (cw) (includes item 6) .....               | 1   |
| 6                                                            | 101878101 | Brush Spring Set .....                                           | 4   |
| 7                                                            | 101869302 | Brush and Screw Set (cw) .....                                   | 1   |
| 8                                                            | 101874901 | Front Bracket .....                                              | 1   |
| 9                                                            | 101875001 | Retainer .....                                                   | 1   |
| 10                                                           | 101875101 | Armature .....                                                   | 1   |
| 11                                                           | 101875201 | Field Coil Housing .....                                         | 1   |
| 12                                                           | 101875301 | Pole Set .....                                                   | 1   |
| 13                                                           | 101875401 | Screw Set .....                                                  | 1   |
| 14                                                           | 101875501 | Field Stator Coil Assembly .....                                 | 1   |
| 15                                                           | 101875601 | F Insulator Set .....                                            | 2   |
| 16                                                           | 101875701 | DF Insulator .....                                               | 1   |
| 17                                                           | 101875802 | A Connector (cw) .....                                           | 1   |
| 18                                                           | 101876001 | Screw and Mold Assembly .....                                    | 2   |
| 19                                                           | 101876202 | Brush Connector Assembly (cw) .....                              | 2   |
| 20                                                           | 101876301 | Cover Set (includes items 21 and 22) .....                       | 1   |
| 21                                                           | N/A       | Brush Inspection Port Cover .....                                | 3   |
| 22                                                           | 1017653   | Brush Port Cover w/Drain .....                                   | 1   |
| 23                                                           | 101876402 | Rear Bracket (cw) .....                                          | 1   |
| 24                                                           | 101876501 | Nut and Screw Set (includes items 25 through 29) .....           | 1   |
| 25                                                           | 101896501 | Brush Holder Asm Screw .....                                     | 2   |
| 26                                                           | N/A       | Washer, M5 Flat .....                                            | 1   |
| 27                                                           | N/A       | Washer, M14 Lock .....                                           | 1   |
| 28                                                           | N/A       | Nut, Hex, M14 x 2 .....                                          | 1   |
| 29                                                           | N/A       | Screw, M5 x 0.8 x 18mm .....                                     | 3   |
| 30                                                           | 101877601 | Nut and Washer Set .....                                         | 2   |
| 31                                                           | 101877701 | Nut and Washer Set .....                                         | 1   |
| 32                                                           | 101879001 | Through Bolt Set .....                                           | 2   |
| 33                                                           | 101939901 | Spacer .....                                                     | 1   |
| 34                                                           | 101875102 | Armature Asm Conversion Kit (includes items 35 through 38) ..... | 1   |
| 35                                                           | 1013003   | Key, Starter/Generator .....                                     | 1   |
| 36                                                           | 1014289   | Pulley, Starter/Generator .....                                  | 1   |
| 37                                                           | 101875101 | Armature .....                                                   | 1   |
| 38                                                           | 101939901 | Spacer .....                                                     | 1   |
| Note: Item 36 will ONLY fit Model G425419 Starter/Generator. |           |                                                                  |     |

**6**  
**G**



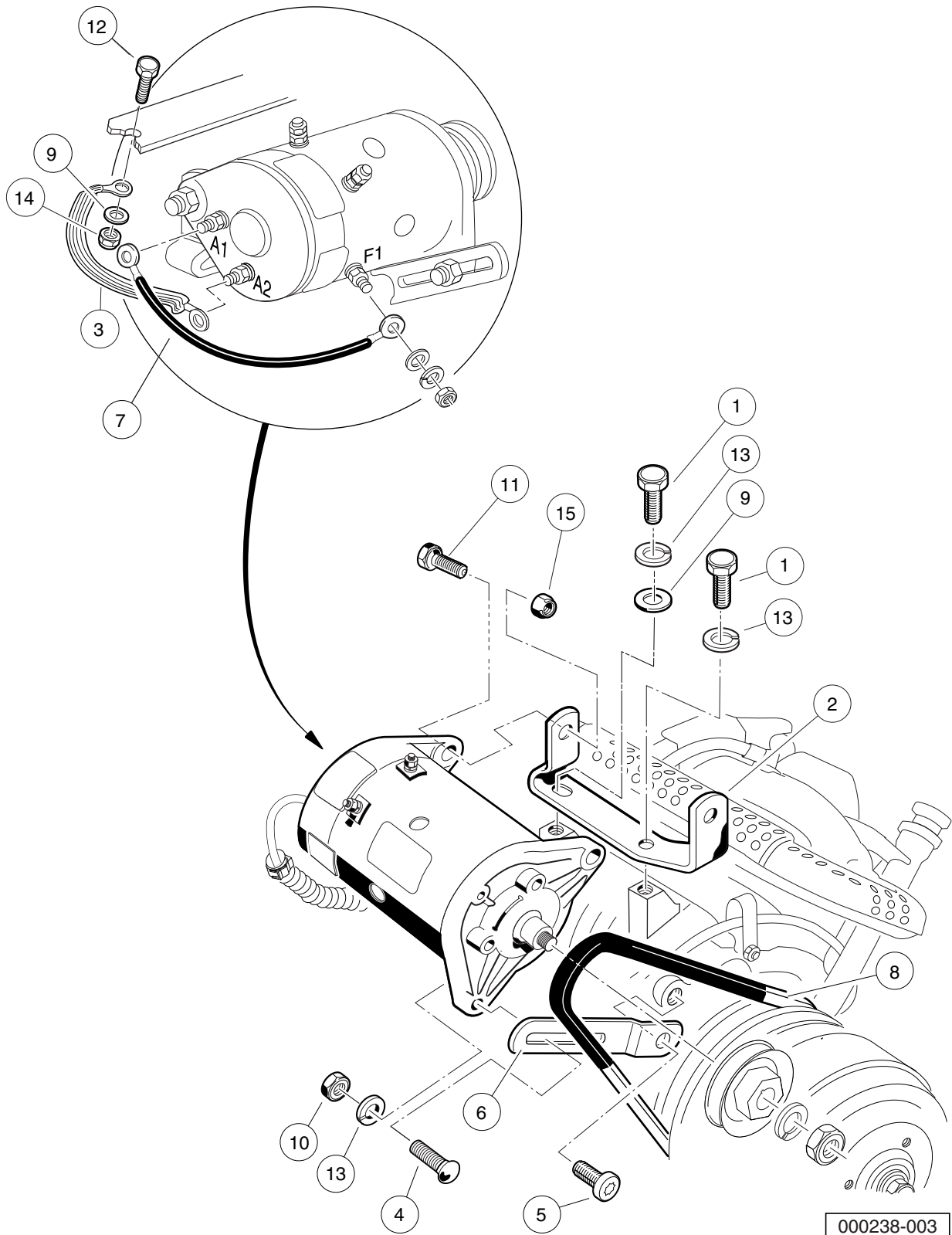
000124-002

# STARTER/GENERATOR ASSEMBLY MODEL 114-01-4005 – GASOLINE VEHICLES

| ITEM                                                                                                                                                              | PART NO.  | DESCRIPTION                                                                | QTY |
|-------------------------------------------------------------------------------------------------------------------------------------------------------------------|-----------|----------------------------------------------------------------------------|-----|
|                                                                                                                                                                   |           | 1 2 3 4                                                                    |     |
| 1                                                                                                                                                                 | 102628201 | Starter/Generator Bi-Rotational (includes items 2 through 19) .....        | 1   |
| 2                                                                                                                                                                 | 102711001 | Pulley, V-Belt .....                                                       | A/R |
| 3                                                                                                                                                                 | 102838701 | Nut, Hex, M14x2, S-g .....                                                 | 1   |
| 4                                                                                                                                                                 | 102838801 | Retainer, Front, S-g .....                                                 | 1   |
| 5                                                                                                                                                                 | 102838901 | Bearing, Ball, Front, S-g .....                                            | 1   |
| 6                                                                                                                                                                 | 102839001 | Bearing, Ball, Front, S-g .....                                            | 1   |
| 7                                                                                                                                                                 | 102839301 | Washer, Lock M14x2, S-g .....                                              | 1   |
| 8                                                                                                                                                                 | 102841101 | Washer, Wave, S-g .....                                                    | 1   |
| 9                                                                                                                                                                 | 102844401 | Assembly, Brush Plate, Starter/Generator .....                             | 1   |
| 10                                                                                                                                                                | 102844501 | Asm, Armature, Starter/Generator .....                                     | 1   |
| 11                                                                                                                                                                | 102844601 | Head, Drive End, S-g .....                                                 | 1   |
| 12                                                                                                                                                                | 102844701 | Asm, Frame and Field, Starter/Generator .....                              | 1   |
| 13                                                                                                                                                                | 103347101 | Kit, Spring Brush, Starter/Generator (includes item 14) .....              | 1   |
| 14                                                                                                                                                                | N/A       | Spring, Brush, S-g .....                                                   | 4   |
| 15                                                                                                                                                                | 103347301 | Set, Brush Term, S-g .....                                                 | 1   |
| 16                                                                                                                                                                | 103347601 | Head, Comm End, S-g .....                                                  | 1   |
| 17                                                                                                                                                                | 103347701 | Set, Fast, Ceh Deh, S-g .....                                              | 1   |
| 18                                                                                                                                                                | 103347801 | Set, Term Hadrware, S/G .....                                              | 1   |
| 19                                                                                                                                                                | 103347901 | Kit, Cover, Brush Insp, Starter/Generator (includes items 20 and 21) ..... | 1   |
| 20                                                                                                                                                                | N/A       | Plug, Rubber Drain, Start/Generator .....                                  | 3   |
| 21                                                                                                                                                                | N/A       | Cover, Inspection, S-g .....                                               | 1   |
| <p>Note: Item 2 will ONLY fit Model 114-01-4005 Starter/Generator. For COMPLETE starter/generator replacement, order model G425419 and the compatible pulley.</p> |           |                                                                            |     |

6  
G

**6**  
**G**



000238-003

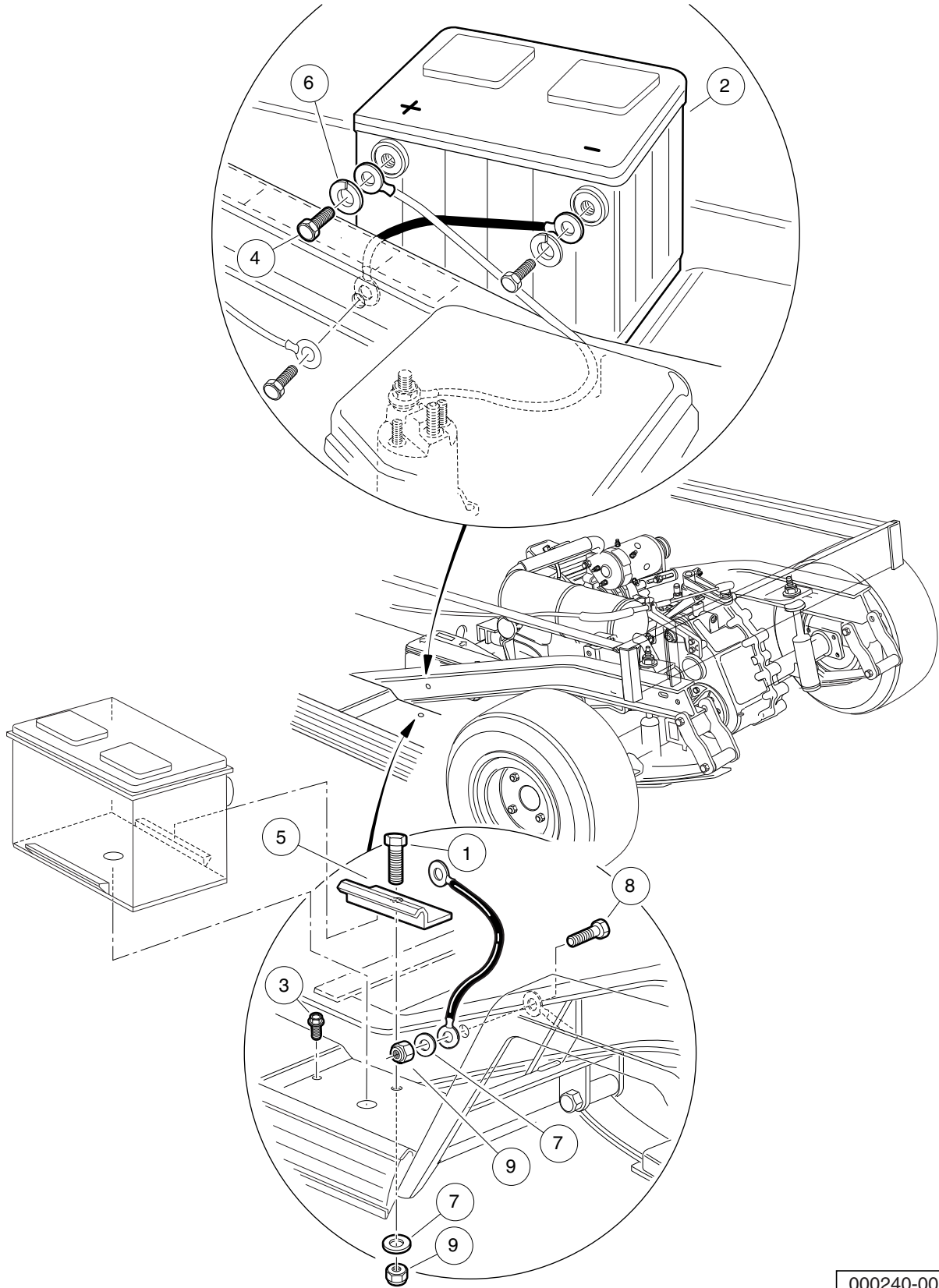


## FE290 STARTER/GENERATOR MOUNTING

| ITEM | PART NO.  | DESCRIPTION                                       | QTY |
|------|-----------|---------------------------------------------------|-----|
|      |           | 1 2 3 4                                           |     |
| 1    | 1012830   | Screw, M8-125 X 22 Hex-Head .....                 | 2   |
| 2    | 101524001 | Bracket, Starter/Generator Mounting (FE290) ..... | 1   |
| 3    | 1015920   | Ground Wire Assembly .....                        | 1   |
| 4    | 1015932   | Bolt, Carriage, 5/16-18 .....                     | 1   |
| 5    | 1016074   | Screw, M8-1.25 X 18mm Torx .....                  | 1   |
| 6    | 1016883   | Bracket, Starter/Generator Adjustment .....       | 1   |
| 7    | 101837301 | Wire Assy, #6 Green .....                         | 1   |
| 8    | 101916701 | V-Belt .....                                      | 1   |
| 9    | 1241      | Washer, 5/16 Type A Flat .....                    | 1   |
| 10   | 1242      | Nut, 5/16-18 Hex .....                            | 1   |
| 11   | 705       | Screw, Cap-hex Hd 3/8-16x1.25 .....               | 2   |
| 12   | 7173      | Screw, 5/16-18 X 0.75 Hex-Head Cap .....          | 1   |
| 13   | 7174      | Lockwasher, 5/16 Split .....                      | 3   |
| 14   | 7473      | Locknut, 5/16-18 Nylon Insert .....               | 1   |
| 15   | 8754      | Locknut, 3/8-16 Hex .....                         | 2   |

**6**  
**G**

**6**  
**G**



000240-001

## BATTERY – GASOLINE VEHICLE

| ITEM | PART NO.  | DESCRIPTION                                         | QTY |
|------|-----------|-----------------------------------------------------|-----|
|      |           | 1 2 3 4                                             |     |
| 1    | 1010934   | Screw, 5/16-18 X 1.00 Hex Cap .....                 | 1   |
| 2    | 1012328   | Battery, 12-Volt .....                              | 1   |
| 3    | 1014288   | Screw, 5/16-18 X 0.75 Thread-Forming .....          | 1   |
| 4    | 1014375   | Screw, 3/8-16 X 0.50 Stainless Steel Hex-Head ..... | 2   |
| 5    | 101898001 | Clamp, Battery .....                                | 1   |
| 6    | 102355301 | Lockwasher, #10 Split Ss .....                      | 2   |
| 7    | 1241      | Washer, 5/16 Type A Flat .....                      | 2   |
| 8    | 7173      | Screw, 5/16-18 X 0.75 Hex-Head Cap .....            | 1   |
| 9    | 7473      | Locknut, 5/16-18 Nylon Insert .....                 | 2   |

**6**

**G**

6

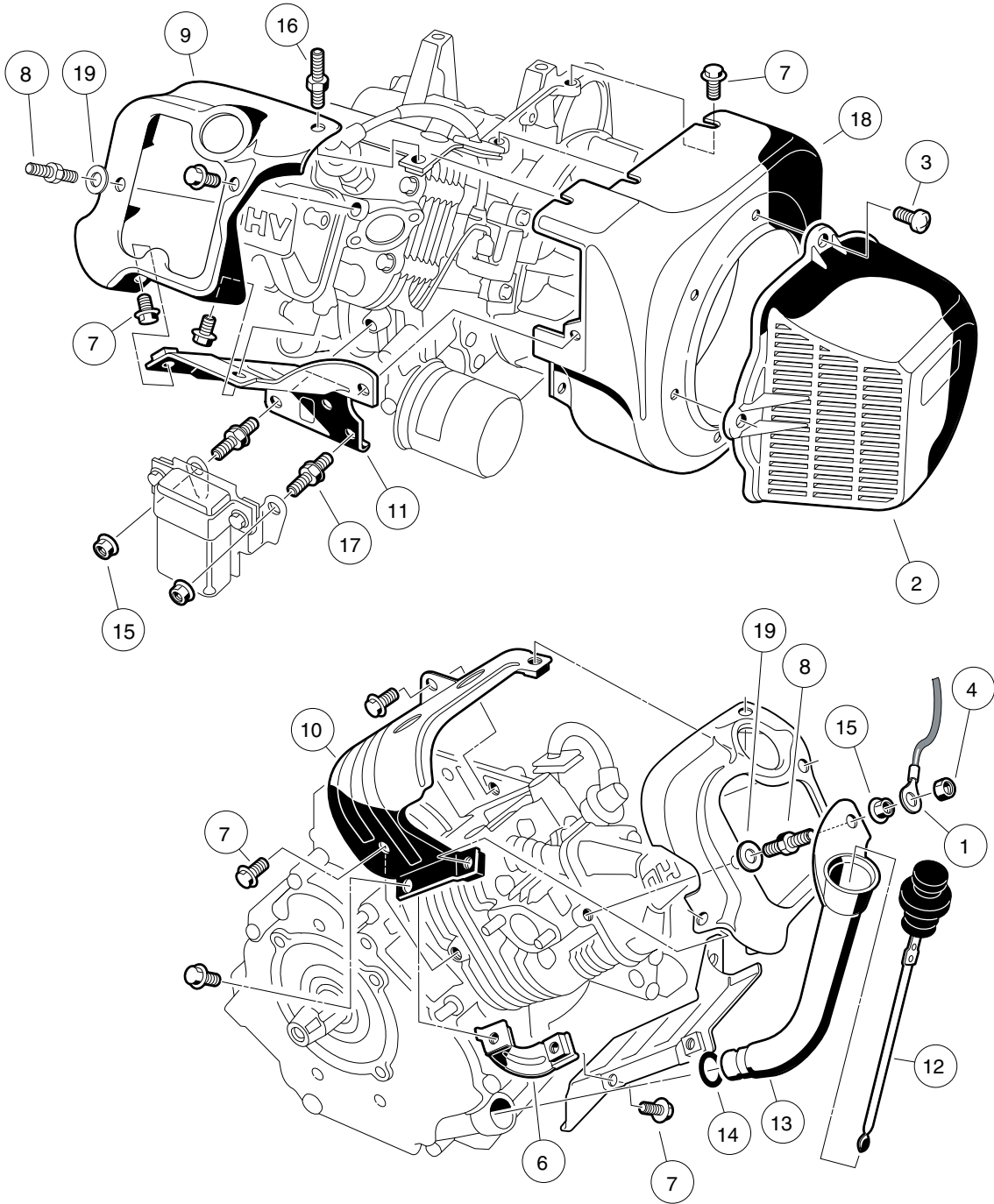
G

# FE290 ENGINE

---

7

G

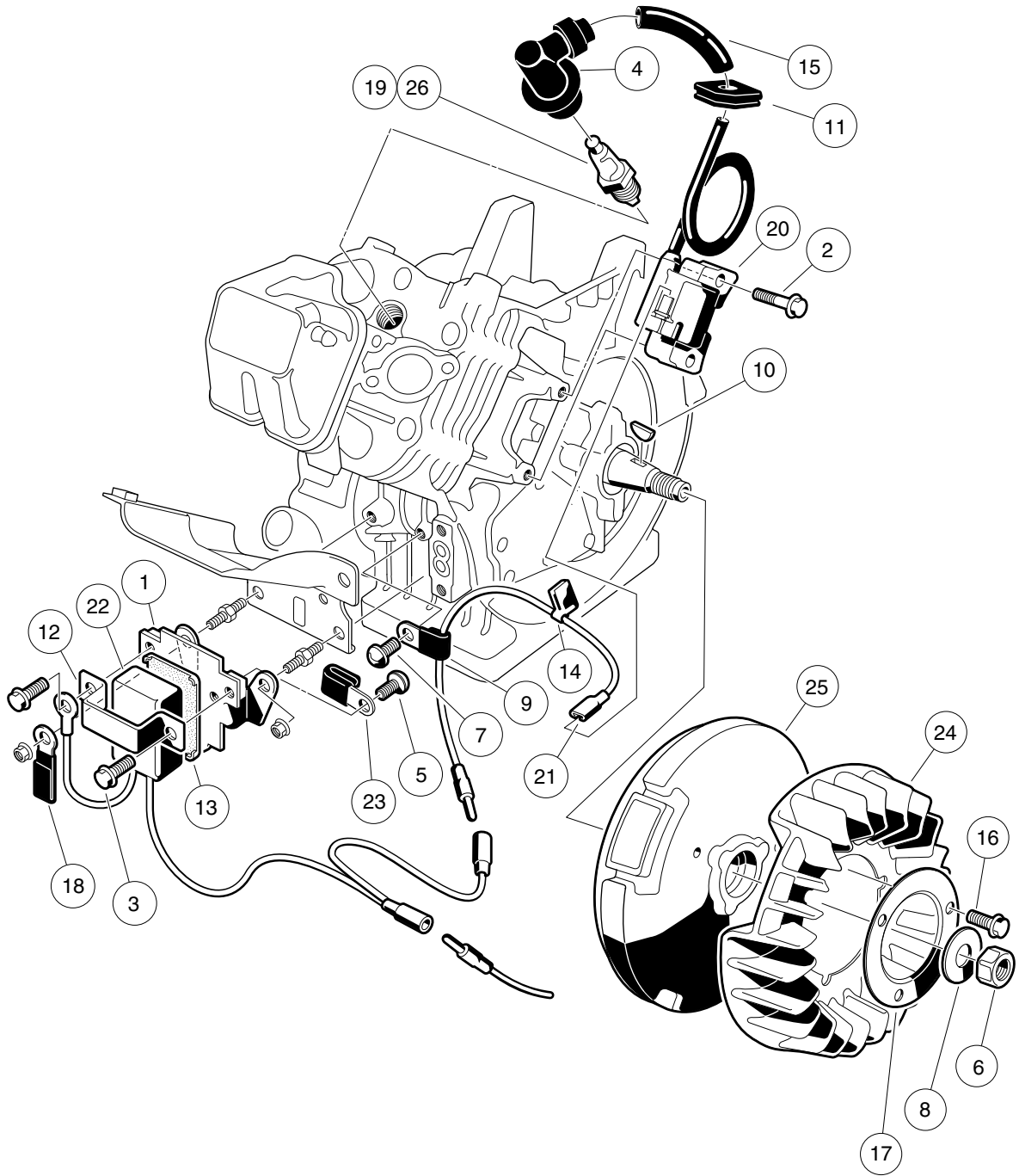


000194-001

## FE290 ENGINE – SHROUDS AND BRACKETS

| ITEM | PART NO.  | DESCRIPTION                                                 | QTY |
|------|-----------|-------------------------------------------------------------|-----|
|      |           | 1 2 3 4                                                     |     |
| 1    | 1015332   | Wire Assembly, #10, Uninsulated .....                       | 1   |
| 2    | 1015649   | Shroud, Fan .....                                           | 1   |
| 3    | 1015969   | Screw, M6-1.00 X 10mm Pan Hd .....                          | 4   |
| 4    | 101887601 | Locknut, M6-1.00 Nylon Insert .....                         | 1   |
| 5    | 101953901 | Engine, FE290 (cw) * (includes items 6 through 19) .....    | 1   |
| 6    | 1016443   | Bracket .....                                               | 1   |
| 7    | 1016456   | Bolt, Flange Head, M6 x 1 x 12 mm .....                     | 15  |
| 8    | 1016507   | Bolt, Two-Ended .....                                       | 1   |
| 9    | 1016524   | Shroud, Engine, FE290D .....                                | 1   |
| 10   | 1016525   | Shroud, Engine, FE290D .....                                | 1   |
| 11   | 1016526   | Shroud, Engine, FE290D .....                                | 1   |
| 12   | 1016531   | Dipstick .....                                              | 1   |
| 13   | 1016536   | Tube, Oil Filler, FE290D .....                              | 1   |
| 14   | 1016539   | O-Ring .....                                                | 1   |
| 15   | 1016547   | Nut, M6 Flange .....                                        | 3   |
| 16   | 1017221   | Screw, M6-1.00 Stud .....                                   | 1   |
| 17   | 101909701 | Stud, M6-1.00, Two-Ended .....                              | 2   |
| 18   | 101915601 | Housing, FE290 Fan .....                                    | 1   |
| 19   | N/A       | Washer, 6 mm Flat .....                                     | 1   |
|      |           | * Note: FE290 engine component listings span several pages. |     |

**7**  
**G**



000195-001

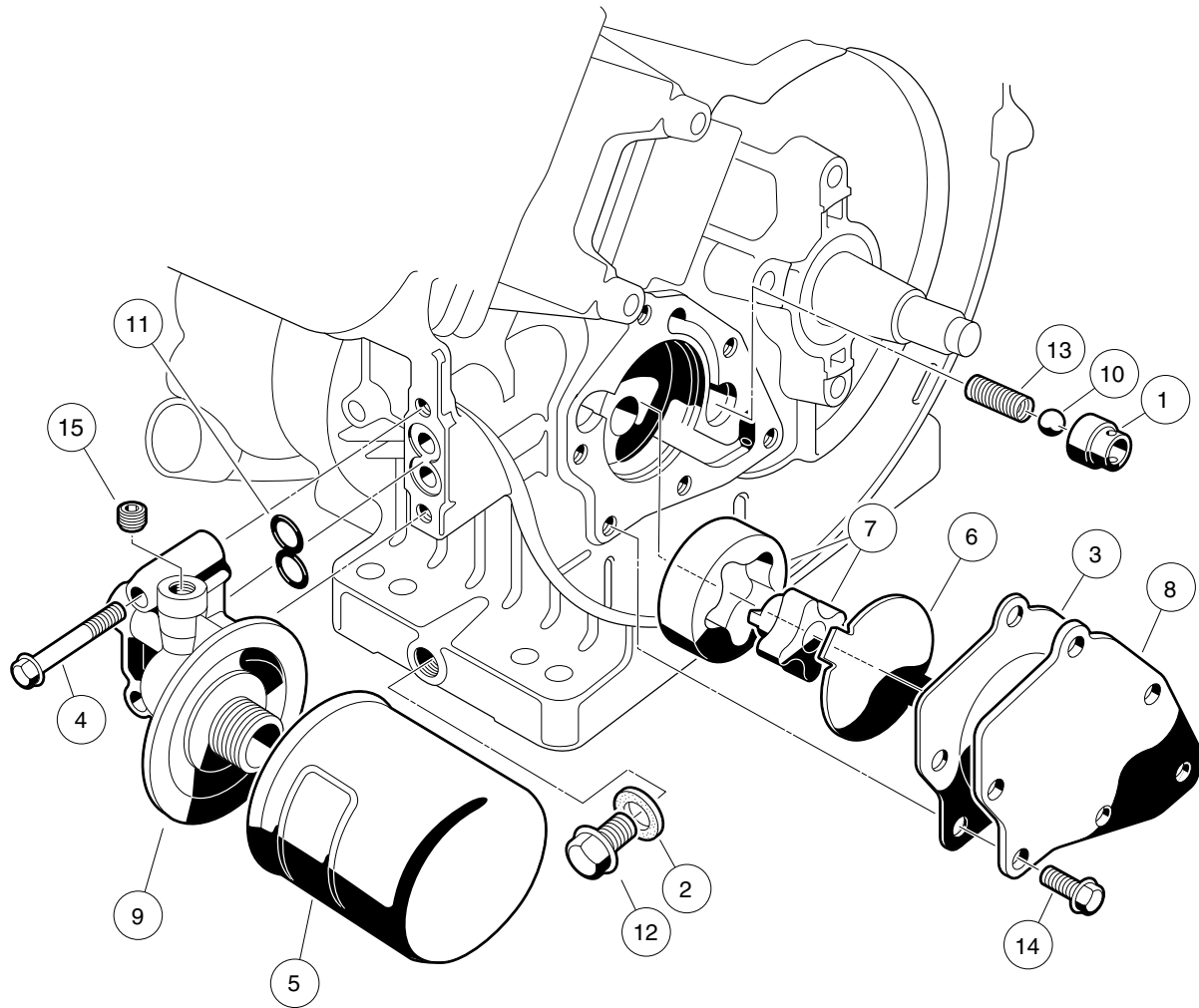


# FE290 ENGINE – IGNITION COMPONENTS AND FLYWHEEL

| ITEM | PART NO.  | DESCRIPTION                             | QTY |
|------|-----------|-----------------------------------------|-----|
|      |           | 1 2 3 4                                 |     |
| 1    | 1016445   | Bracket, RPM Limiter .....              | 1   |
| 2    | 1016455   | Bolt, Flange Head .....                 | 2   |
| 3    | 1016456   | Bolt, Flange Head, M6 x 1 x 12 mm ..... | 2   |
| 4    | 1016493   | Cap, Spark Plug .....                   | 1   |
| 5    | 1016497   | Screw, Pan WP Cross .....               | 1   |
| 6    | 1016505   | Nut, Hex, Fine .....                    | 1   |
| 7    | 1016544   | Screw .....                             | 1   |
| 8    | 1016548   | Washer, M16 Flat .....                  | 1   |
| 9    | 1016561   | Clamp .....                             | 1   |
| 10   | 1016562   | Key .....                               | 1   |
| 11   | 1016578   | Ignition, Grommet .....                 | 1   |
| 12   | 1016579   | Band, RPM Limiter Mount .....           | 1   |
| 13   | 1016586   | Damper, RPM Limiter .....               | 1   |
| 14   | 1016587   | Clamp .....                             | 1   |
| 15   | 1016588   | Tube, 7mm X 10mm X 70mm .....           | 1   |
| 16   | 1017448   | Bolt, Flanged .....                     | 3   |
| 17   | 1017455   | Plate, Flywheel Fan .....               | 1   |
| 18   | 1017468   | Clamp .....                             | 1   |
| 19   | 101881101 | Spark Plug, OHV (Autolite) .....        | 1   |
| 20   | 101909201 | Coil, Ignition .....                    | 1   |
| 21   | 101909301 | Lead Wire Assy .....                    | 1   |
| 22   | 101909401 | Limiter, RPM .....                      | 1   |
| 23   | N/A       | Clamp, Steel .....                      | 1   |
| 24   | 101915801 | Fan, FE290 (cw) .....                   | 1   |
| 25   | 101929301 | Flywheel, Complete .....                | 1   |
| 26   | AM10724   | Spark Plug, OHV (NGK) .....             | 1   |

7

G

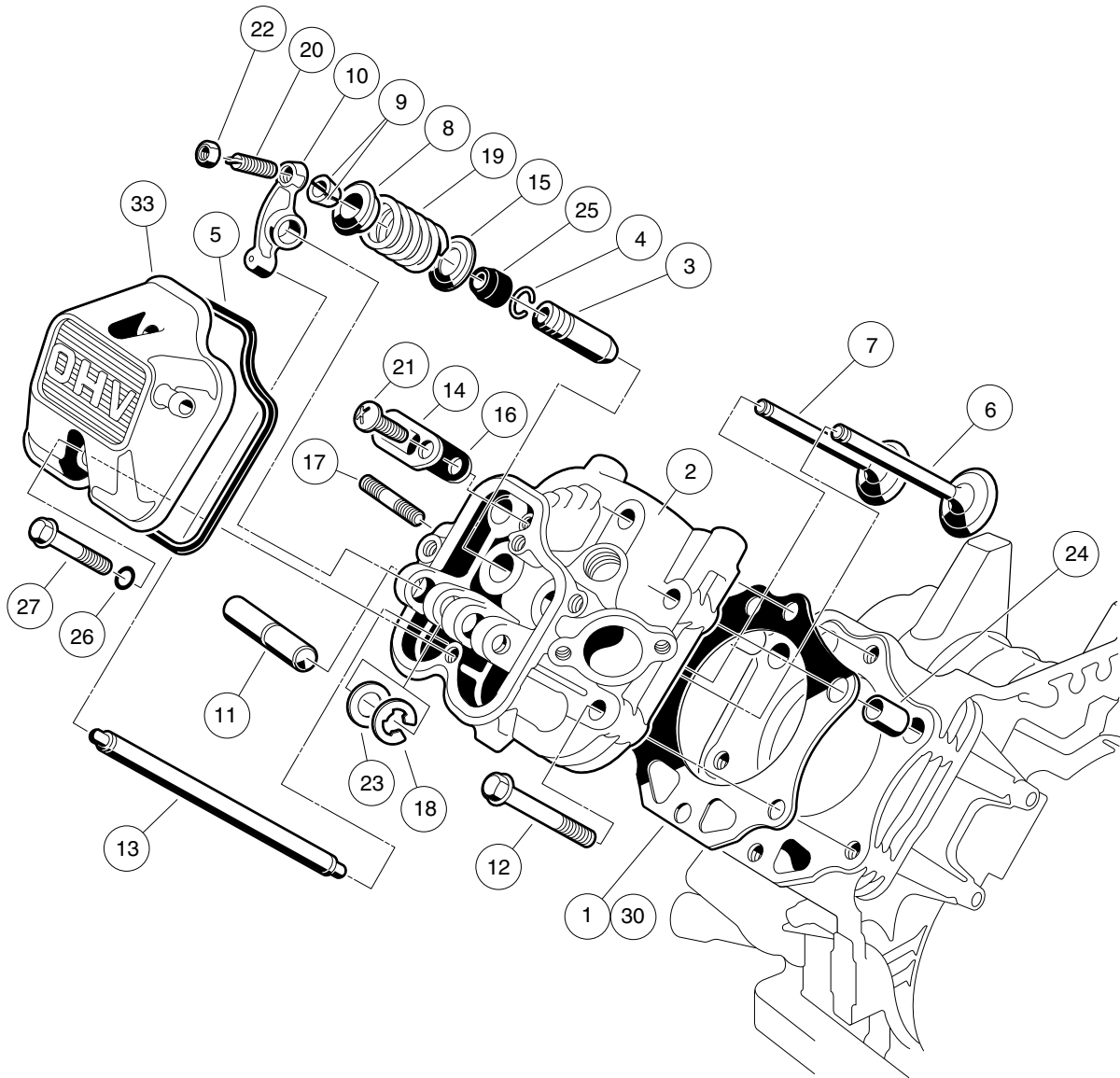


000196-001

## FE290 ENGINE – OIL CIRCULATION

| ITEM | PART NO.  | DESCRIPTION                        | QTY |
|------|-----------|------------------------------------|-----|
|      |           | 1 2 3 4                            |     |
| 1    | 1016429   | Seat, Value Oil Press Relief ..... | 1   |
| 2    | 1016432   | Gasket, Drain Plug .....           | 1   |
| 3    | 1016435   | Gasket, Oil Pump .....             | 1   |
| 4    | 1016457   | Bolt, Flange Head .....            | 2   |
| 5    | 1016467   | Filter, Oil .....                  | 1   |
| 6    | 1016473   | Plate, Oil Pump .....              | 1   |
| 7    | 101648203 | Oil Pump And Rotor .....           | 1   |
| 8    | 1016484   | Cover, Pump .....                  | 1   |
| 9    | 1016502   | Bracket, Oil Filter Mount .....    | 1   |
| 10   | 1016537   | Ball, Steel, Press, Relief .....   | 1   |
| 11   | 1016570   | O-Ring .....                       | 1   |
| 12   | 1016576   | Plug, Drain .....                  | 1   |
| 13   | 1016581   | Spring .....                       | 1   |
| 14   | 1017456   | Bolt, Flanged .....                | 6   |
| 15   | 1017507   | Plug .....                         | 2   |

**7**  
**G**



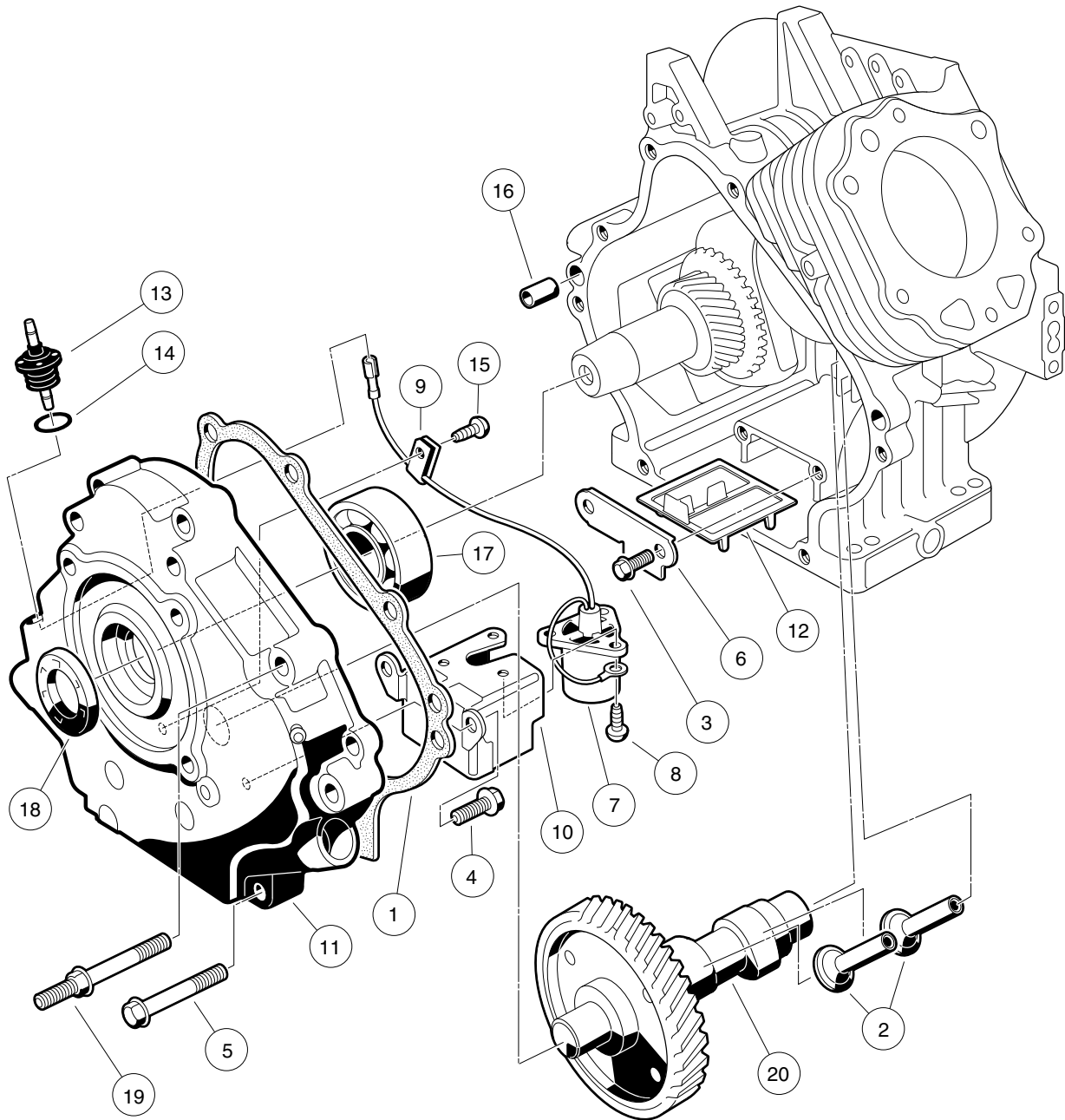
000197-001

## FE290 ENGINE – CYLINDER HEAD

| ITEM | PART NO.  | DESCRIPTION                                                  | QTY |
|------|-----------|--------------------------------------------------------------|-----|
|      |           | <b>1 2 3 4</b>                                               |     |
| 1    | 1016430   | Gasket, Head, FE290 .....                                    | 1   |
| 2    | 1016431   | Head Assembly, FE290 Cylinder (includes items 3 and 4) ..... | 1   |
| 3    | 1016519   | Guide, Valve .....                                           | 2   |
| 4    | 1016560   | Snap Ring .....                                              | 2   |
| 5    | 1016436   | Gasket, Rocker Case .....                                    | 1   |
| 6    | 1016447   | Valve, Intake .....                                          | 1   |
| 7    | 1016448   | Valve, Exhaust .....                                         | 1   |
| 8    | 1016449   | Retainer, Valve Spring .....                                 | 2   |
| 9    | 1016450   | Collet .....                                                 | 4   |
| 10   | 1016451   | Arm, Rocker .....                                            | 2   |
| 11   | 1016452   | Shaft, Rocker .....                                          | 1   |
| 12   | 1016458   | Bolt, Flange Head, M8 x 1.25 x 45 mm .....                   | 6   |
| 13   | 1016471   | Rod, Push .....                                              | 2   |
| 14   | 1016474   | Plate .....                                                  | 1   |
| 15   | 1016479   | Seat, Spring .....                                           | 2   |
| 16   | 1016483   | Valve .....                                                  | 1   |
| 17   | 1016489   | Stud, Two-Ended, M8-1.25 .....                               | 2   |
| 18   | 1016517   | Circlip, Type-E .....                                        | 1   |
| 19   | 1016523   | Spring, Engine Valve .....                                   | 2   |
| 20   | 1016542   | Screw .....                                                  | 2   |
| 21   | 1016544   | Screw .....                                                  | 1   |
| 22   | 1016545   | Nut .....                                                    | 2   |
| 23   | 1016549   | Washer, 12.1x19x1.8 .....                                    | 1   |
| 24   | 1016563   | Pin .....                                                    | 2   |
| 25   | 1016566   | Seal, Oil .....                                              | 2   |
| 26   | 1016569   | O-Ring .....                                                 | 2   |
| 27   | 1016583   | Bolt, 6x35 .....                                             | 2   |
| 28   | 102304701 | Kit, Gasket, FE290 (includes items 29 through 32) .....      | 1   |
| 29   | 1015330   | Gasket, Exhaust .....                                        | 1   |
| 30   | 1016430   | Gasket, Head, FE290 .....                                    | 1   |
| 31   | 1016440   | Gasket, Engine to Insulator .....                            | 1   |
| 32   | 1016446   | Gasket, Crankcase Cover .....                                | 1   |
| 33   | 102753401 | Case, Rocker .....                                           | 1   |

**7**

**G**

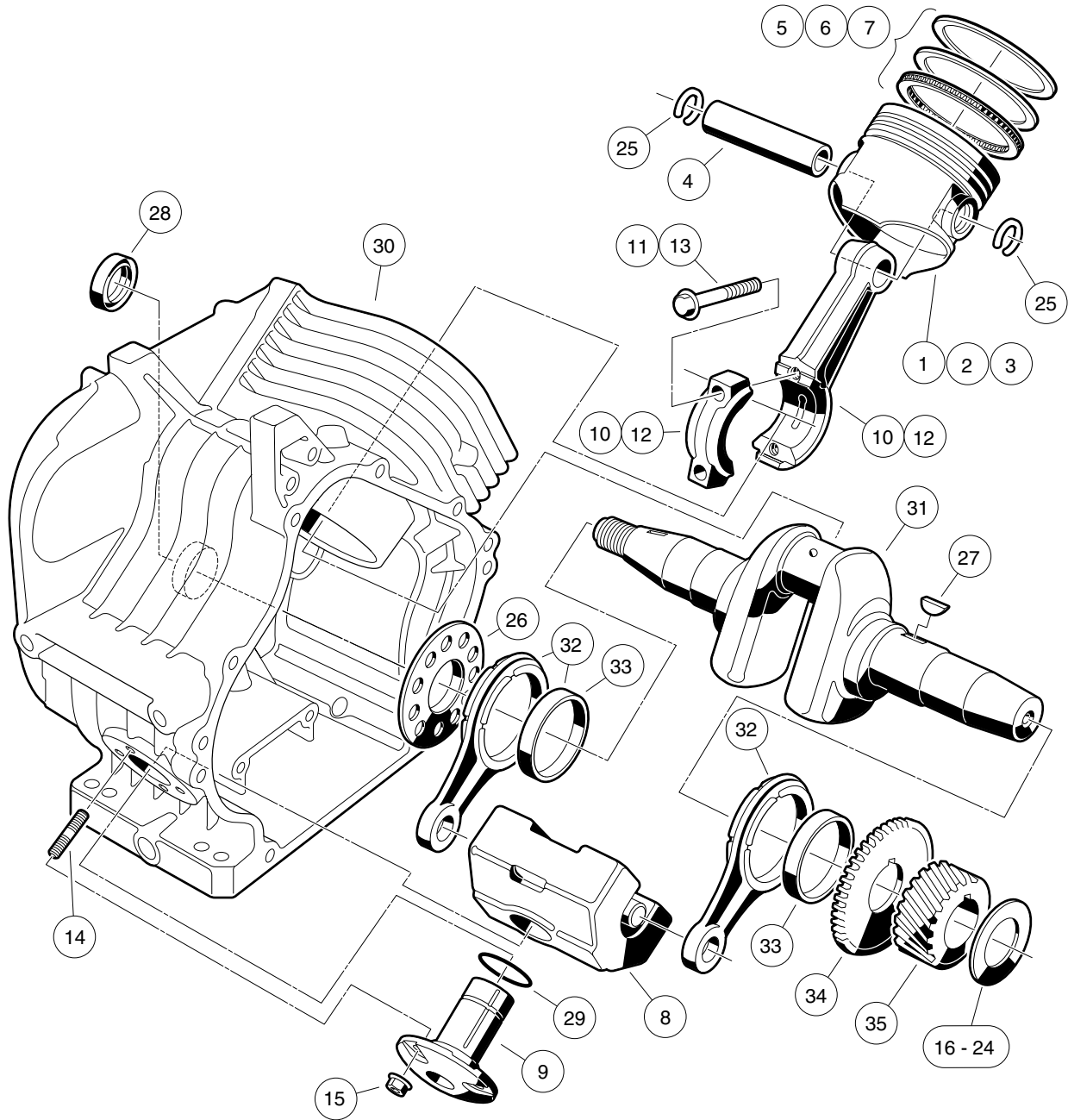


000198-001

# FE290 ENGINE – CRANKCASE, CAMSHAFT, AND OIL SENSOR

| ITEM | PART NO.  | DESCRIPTION                                  | QTY |
|------|-----------|----------------------------------------------|-----|
|      |           | 1 2 3 4                                      |     |
| 1    | 1016446   | Gasket, Crankcase Cover .....                | 1   |
| 2    | 1016453   | Tappet .....                                 | 2   |
| 3    | 1016454   | Bolt, Flange Head, M5 x 0.8 x 8 mm .....     | 2   |
| 4    | 1016456   | Bolt, Flange Head, M6 x 1 x 12 mm .....      | 2   |
| 5    | 1016458   | Bolt, Flange Head, M8 x 1.25 x 45 mm .....   | 6   |
| 6    | 1016472   | Plate, Oil Filter Screen .....               | 1   |
| 7    | 1016494   | Sensor, Oil Level .....                      | 1   |
| 8    | 1016496   | Screw, Cross Pan-Head, M4 x 0.7 x 8 mm ..... | 3   |
| 9    | 1016506   | Clamp .....                                  | 1   |
| 10   | 1016510   | Bracket, Switch, Oil Level .....             | 1   |
| 11   | 1016520   | Cover, Crankcase .....                       | 1   |
| 12   | 1016521   | Screen, Oil Filter .....                     | 1   |
| 13   | 1016535   | Connector, Cord .....                        | 1   |
| 14   | 1016538   | O-Ring .....                                 | 1   |
| 15   | 1016544   | Screw .....                                  | 1   |
| 16   | 1016564   | Pin .....                                    | 2   |
| 17   | 1016565   | Bearing, Ball .....                          | 1   |
| 18   | 1016567   | Seal, Crankshaft .....                       | 1   |
| 19   | 1016584   | Bolt, Two-Ended, M8 x 1.25 x 69 mm .....     | 2   |
| 20   | 101915401 | Camshaft Complete, FE290 .....               | 1   |

**7**  
**G**



000199-001

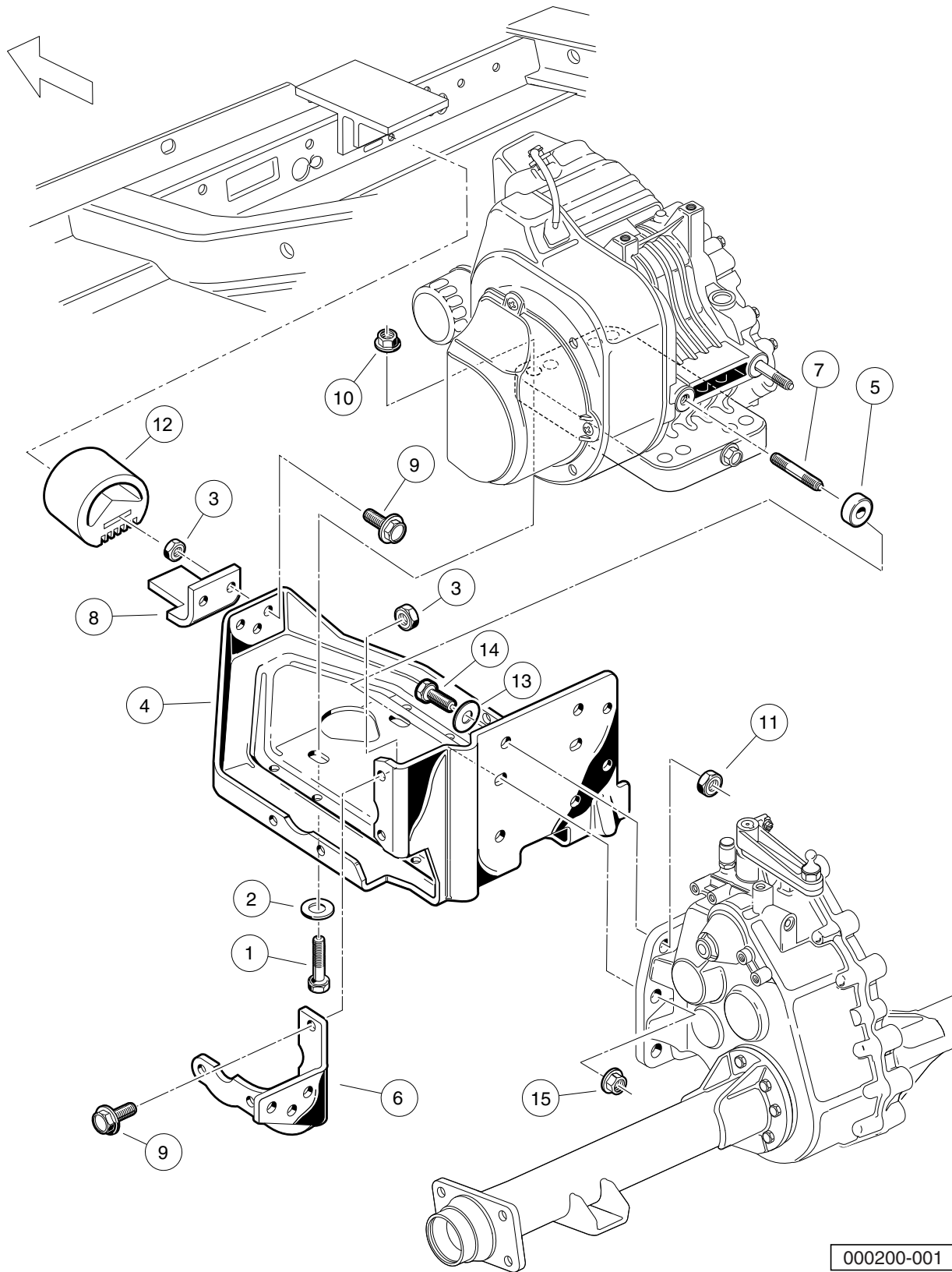


## FE290 ENGINE – CRANKCASE AND CRANKSHAFT

| ITEM | PART NO.  | DESCRIPTION                                                             | QTY |
|------|-----------|-------------------------------------------------------------------------|-----|
|      |           | 1 2 3 4                                                                 |     |
| 1    | 101645901 | Piston .....                                                            | 1   |
| 2    | 101645902 | Piston, Engine 0.25 mm Over .....                                       | 1   |
| 3    | 101645903 | Piston, Engine 0.50 mm Over .....                                       | 1   |
| 4    | 1016460   | Pin, Piston .....                                                       | 1   |
| 5    | 101646101 | Ring Set, Piston .....                                                  | 1   |
| 6    | 101646102 | Ring Set, Piston 0.25 mm Over .....                                     | 1   |
| 7    | 101646103 | Ring Set, Piston 0.50 mm Over .....                                     | 1   |
| 8    | 1016469   | Weight, Counterbalance .....                                            | 1   |
| 9    | 1016470   | Shaft, Guide, Counterbalance .....                                      | 1   |
| 10   | 101647501 | Rod Assembly (includes item 11) .....                                   | 1   |
| 11   | 1016509   | Bolt .....                                                              | 2   |
| 12   | 101647502 | Rod Assembly, Connecting 0.50 mm Under (includes item 13) .....         | 1   |
| 13   | 1016509   | Bolt .....                                                              | 2   |
| 14   | 1016541   | Stud, 6x14 .....                                                        | 4   |
| 15   | 1016547   | Nut, M6 Flange .....                                                    | 4   |
| 16   | 101655001 | Shim, Crankshaft T=1.13 .....                                           | A/R |
| 17   | 101655002 | Shim, Crankshaft T=1.18 .....                                           | A/R |
| 18   | 101655003 | Shim, Crankshaft T=1.23 .....                                           | A/R |
| 19   | 101655004 | Shim, Crankshaft T=1.28 .....                                           | A/R |
| 20   | 101655005 | Shim, Crankshaft T=1.33 .....                                           | A/R |
| 21   | 101655006 | Shim, Crankshaft T=1.38 .....                                           | A/R |
| 22   | 101655007 | Shim, Crankshaft T=1.43 .....                                           | A/R |
| 23   | 101655008 | Shim, Crankshaft T=1.48 .....                                           | A/R |
| 24   | 101655009 | Shim, Crankshaft T=1.53 .....                                           | A/R |
| 25   | 1016558   | Ring, Snap .....                                                        | 2   |
| 26   | 1016559   | Spacer .....                                                            | 1   |
| 27   | 1016562   | Key .....                                                               | 1   |
| 28   | 1016568   | Seal, Oil .....                                                         | 1   |
| 29   | 1016571   | O-Ring .....                                                            | 1   |
| 30   | 101915501 | Crankcase Complete, FE290 (cw) .....                                    | 1   |
| 31   | 101922301 | Crankshaft, FE290 Left-Hand Thread (includes items 32 through 35) ..... | 1   |
| 32   | 1016516   | Rod (includes item 33) .....                                            | 2   |
| 33   | 1016580   | Bearing, Plane .....                                                    | 1   |
| 34   | 1016532   | Gear, Spur .....                                                        | 1   |
| 35   | 1016533   | Gear, Helical .....                                                     | 1   |

**7**  
**G**

**7**  
**G**



000200-001

# FE290 ENGINE MOUNTING

| ITEM | PART NO.  | DESCRIPTION                          | QTY |
|------|-----------|--------------------------------------|-----|
|      |           | 1 2 3 4                              |     |
| 1    | 1010577   | Bolt, Hex-Head, 5/16-18 X 1.50 ..... | 4   |
| 2    | 1012571   | Washer, 5/16 Extra Thick Flat .....  | 4   |
| 3    | 1013924   | Nut, 5/16-24 Hex Head Cone .....     | 6   |
| 4    | 101827101 | Plate, Engine Mounting .....         | 1   |
| 5    | 101832101 | Spacer, Powdered Metal .....         | 2   |
| 6    | 101832701 | Stiffener (Flywheel Side) .....      | 1   |
| 7    | 101833201 | Stud, M8-1.25 X 60mm Two-Ended ..... | 2   |
| 8    | 101834601 | Snubber Bracket .....                | 1   |
| 9    | 101884801 | Screw, 5/16-24 X 0.875 Grade-8 ..... | 6   |
| 10   | 101963401 | Locknut, 5/16-18 Hex Flange .....    | 4   |
| 11   | 102065901 | Locknut, 3/8-16 Flanged Dimple ..... | 4   |
| 12   | 102540301 | Inner Frame Snubber .....            | 1   |
| 13   | 334       | Washer, 3/8 Type A Flat .....        | 4   |
| 14   | 705       | Screw, Cap-hex Hd 3/8-16x1.25 .....  | 4   |
| 15   | 96704416  | Nut Flg, M8 X 1.25 Serrated .....    | 2   |

**7**

**G**

7

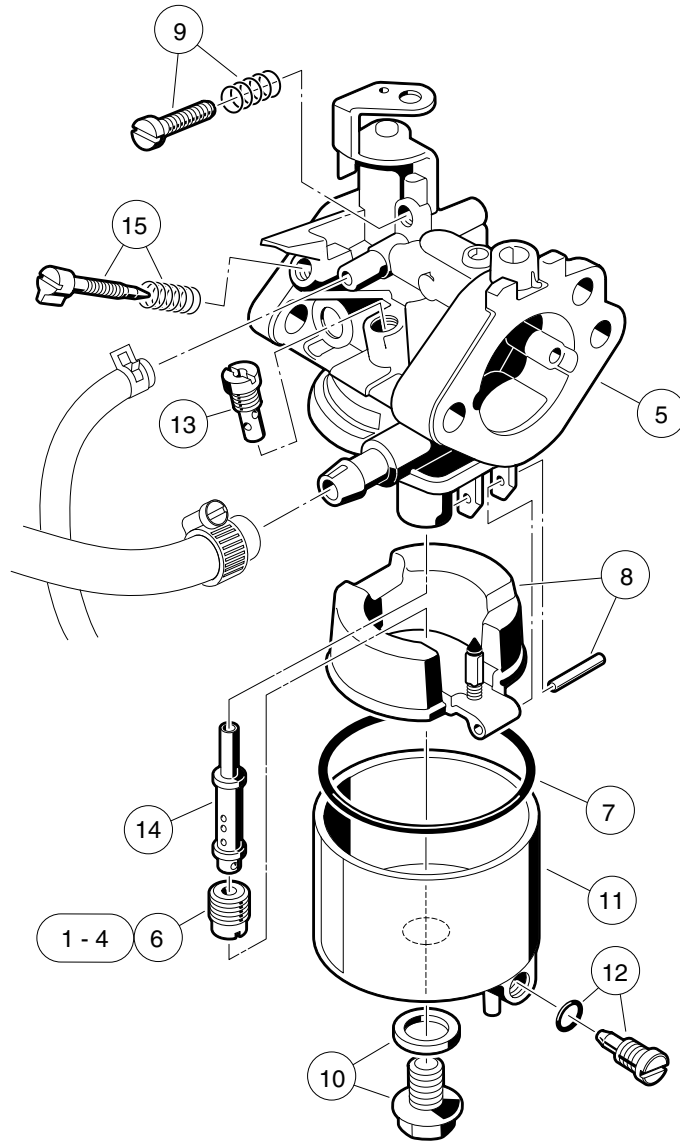
G

# FUEL, INTAKE, AND GOVERNOR SYSTEMS

---

8

G



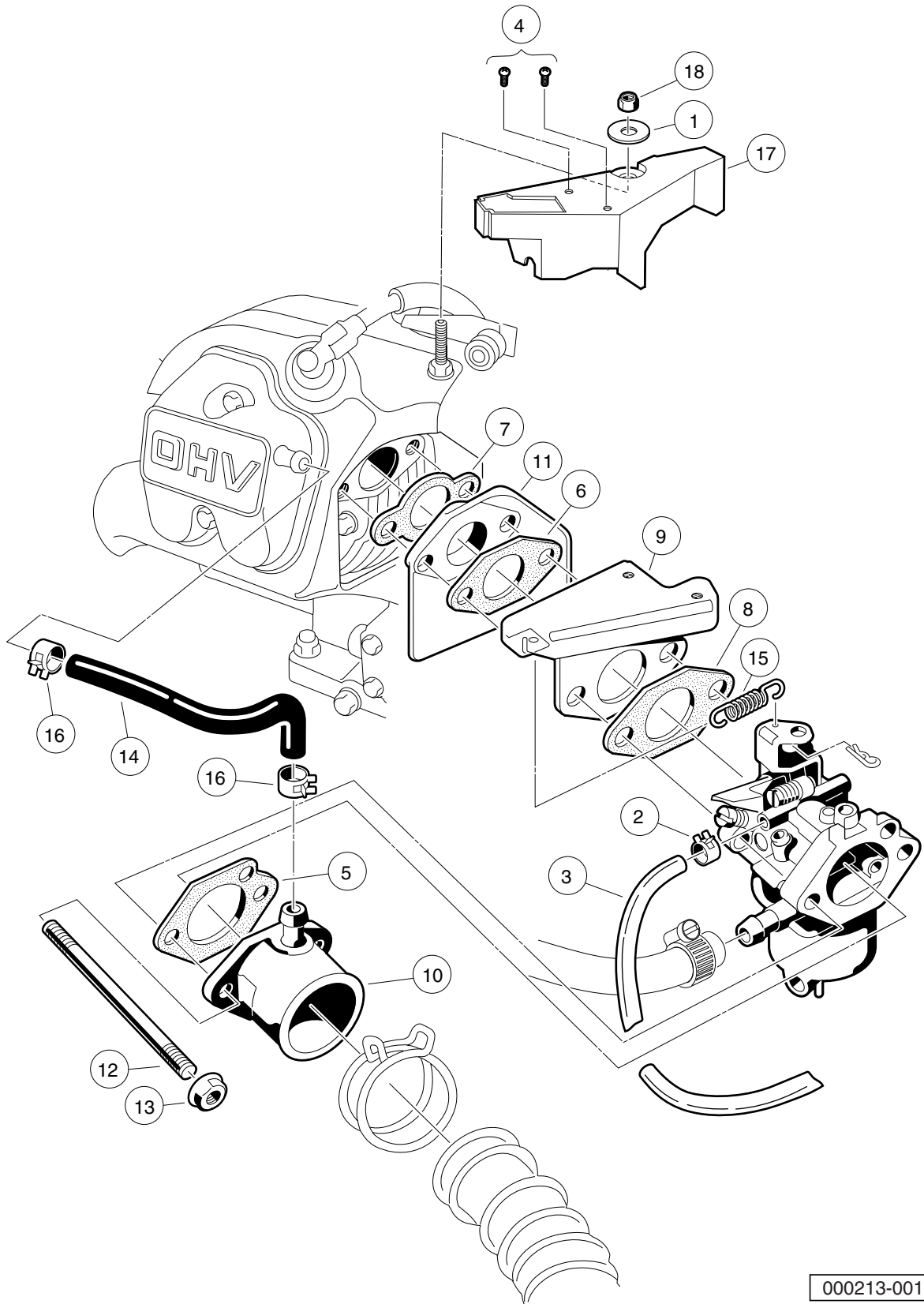
000211-001

# CARBURETOR ASSEMBLY – FE290

| ITEM | PART NO.  | DESCRIPTION                                                                                                                                                                                | QTY |
|------|-----------|--------------------------------------------------------------------------------------------------------------------------------------------------------------------------------------------|-----|
|      |           | <b>1 2 3 4</b>                                                                                                                                                                             |     |
| 1    | 101642572 | Jet, Altitude, # 72 .....                                                                                                                                                                  | A/R |
| 2    | 101642575 | Jet, Altitude, # 75 .....                                                                                                                                                                  | A/R |
| 3    | 101642578 | Jet, Altitude, # 78 .....                                                                                                                                                                  | A/R |
| 4    | 101642580 | Jet, Altitude, # 80 .....                                                                                                                                                                  | A/R |
| 5    | 101905601 | Carburetor Assembly, FE290D (includes items 6 through 15) .....                                                                                                                            | 1   |
| 6    | 101642582 | Jet, Altitude, # 82 .....                                                                                                                                                                  | 1   |
| 7    | 1016437   | Gasket, Carburetor Bowl OHV .....                                                                                                                                                          | 1   |
| 8    | 1016486   | Float Assembly .....                                                                                                                                                                       | 1   |
| 9    | 1016501   | Screw Assembly .....                                                                                                                                                                       | 1   |
| 10   | 1016585   | Bolt .....                                                                                                                                                                                 | 1   |
| 11   | 1017461   | Chamber Assembly, Float (includes item 12) .....                                                                                                                                           | 1   |
| 12   | 1016499   | Screw Assembly .....                                                                                                                                                                       | 1   |
| 13   | 101973101 | Jet, #40 Pilot .....                                                                                                                                                                       | 1   |
| 14   | 101973201 | Nozzle, Main .....                                                                                                                                                                         | 1   |
| 15   | N/A       | Assembly, Pilot Air Screw .....                                                                                                                                                            | 1   |
|      |           | <br>Note: 101642582 for 0 - 3,000 feet; 101642580 for 3,000 - 5,000 feet;<br>101642578 for 5,000 - 8,000 feet; 101642575 for 8,000 - 10,000 feet;<br>101642572 for 10,000 feet and higher. |     |

**8**

**G**



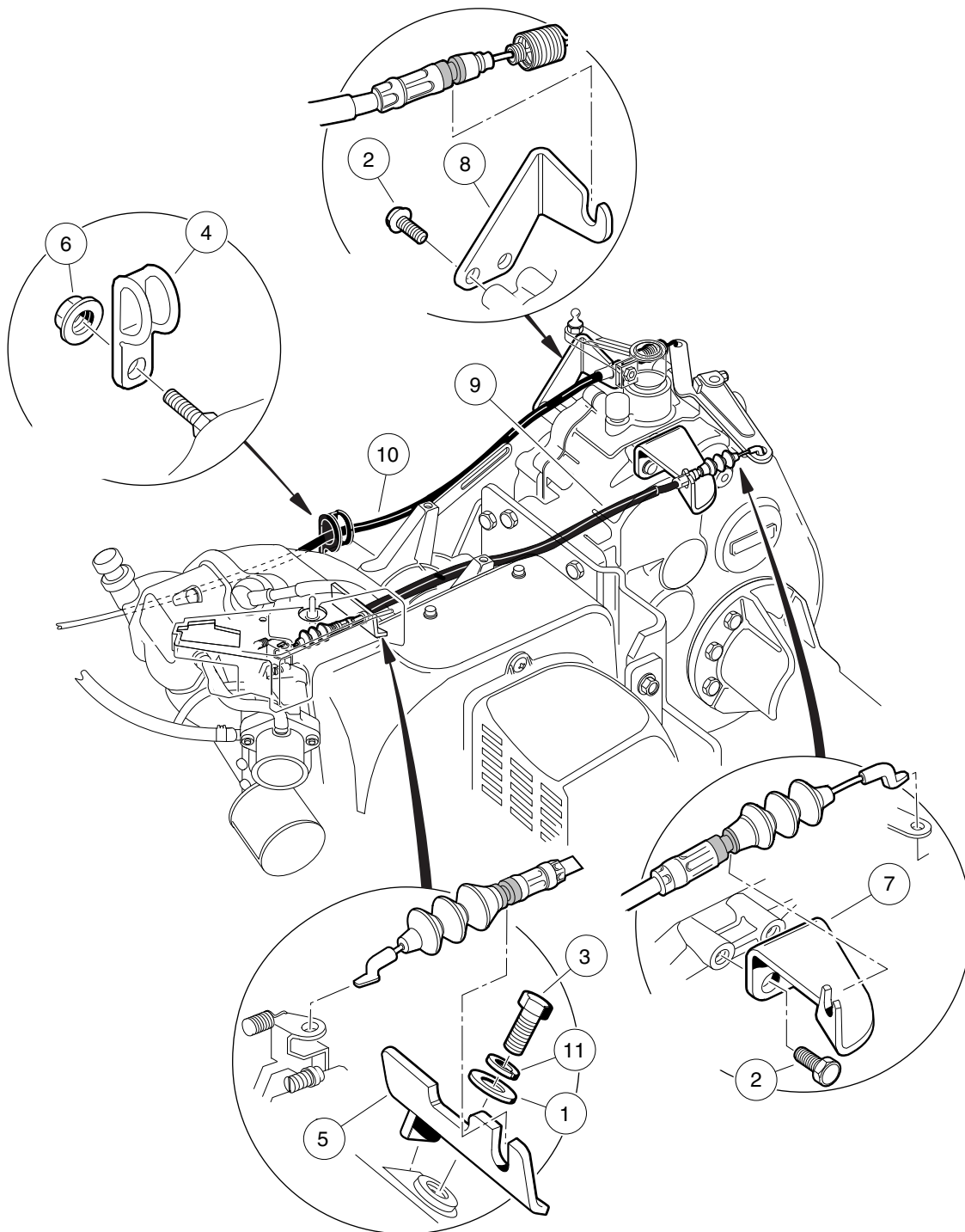
000213-001



## CARBURETOR INSTALLATION – FE290

| ITEM | PART NO.  | DESCRIPTION                             | QTY |
|------|-----------|-----------------------------------------|-----|
|      |           | 1 2 3 4                                 |     |
| 1    | 1011697   | Washer, 5/16 Flat .....                 | 1   |
| 2    | 1013746   | Clamp, 0.301 ID Hose .....              | 1   |
| 3    | 1015137   | Fuel Line (available by the foot) ..... | A/R |
| 4    | 1016103   | Screw, Pan Hd Tx, Taptite 6-32 .....    | 2   |
| 5    | 1016438   | Gasket, Carb To Intake Manifold .....   | 1   |
| 6    | 1016439   | Gasket, Insulator .....                 | 1   |
| 7    | 1016440   | Gasket, Engine to Insulator .....       | 1   |
| 8    | 1016441   | Gasket, Sprg Brkt To Carb OHV .....     | 1   |
| 9    | 1016444   | Bracket, Throttle Spring Return .....   | 1   |
| 10   | 1016480   | Pipe, Intake Manifold .....             | 1   |
| 11   | 101648102 | Insulator, Carburetor .....             | 1   |
| 12   | 101649002 | Stud, M6-1.00 Two-Ended .....           | 2   |
| 13   | 1016547   | Nut, M6 Flange .....                    | 2   |
| 14   | 1016572   | Tube, Crankcase Vent .....              | 1   |
| 15   | 1016582   | Spring, Throttle Return .....           | 1   |
| 16   | 1017466   | Clamp .....                             | 2   |
| 17   | 101820201 | Shield, Governor .....                  | 1   |
| 18   | 101887601 | Locknut, M6-1.00 Nylon Insert .....     | 1   |

**8**  
**G**

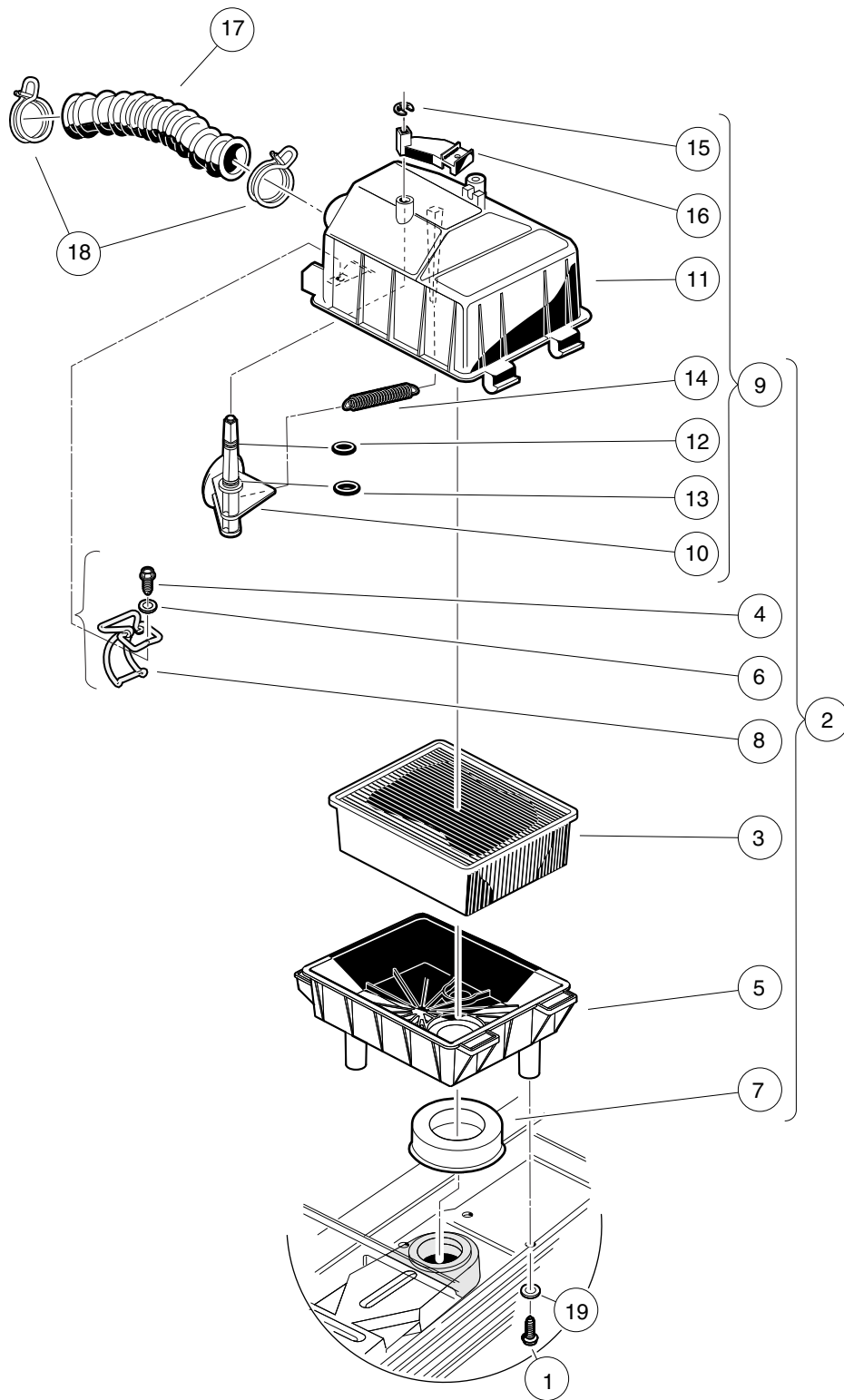


000215-001

## GOVERNOR AND ACCELERATOR CABLES

| ITEM | PART NO.  | DESCRIPTION                                   | QTY |
|------|-----------|-----------------------------------------------|-----|
|      |           | 1 2 3 4                                       |     |
| 1    | 1011697   | Washer, 5/16 Flat .....                       | 1   |
| 2    | 1012285   | Screw, 1/4 X 0.625 Hex-Head .....             | 4   |
| 3    | 1012830   | Screw, M8-125 X 22 Hex-Head .....             | 1   |
| 4    | 1013700   | Clamp .....                                   | 2   |
| 5    | 101584502 | Bracket, Governor Cable Snap-In .....         | 1   |
| 6    | 1016546   | Nut .....                                     | 2   |
| 7    | 101832202 | Bracket, Rear Governor Cable Snap-In .....    | 1   |
| 8    | 101832302 | Bracket, Rear Accelerator Cable Snap-In ..... | 1   |
| 9    | 102336001 | Cable, Governor, Snap-In .....                | 1   |
| 10   | 102336101 | Cable, Accelerator, Snap-In .....             | 1   |
| 11   | 7174      | Lockwasher, 5/16 Split .....                  | 1   |

**8**  
**G**



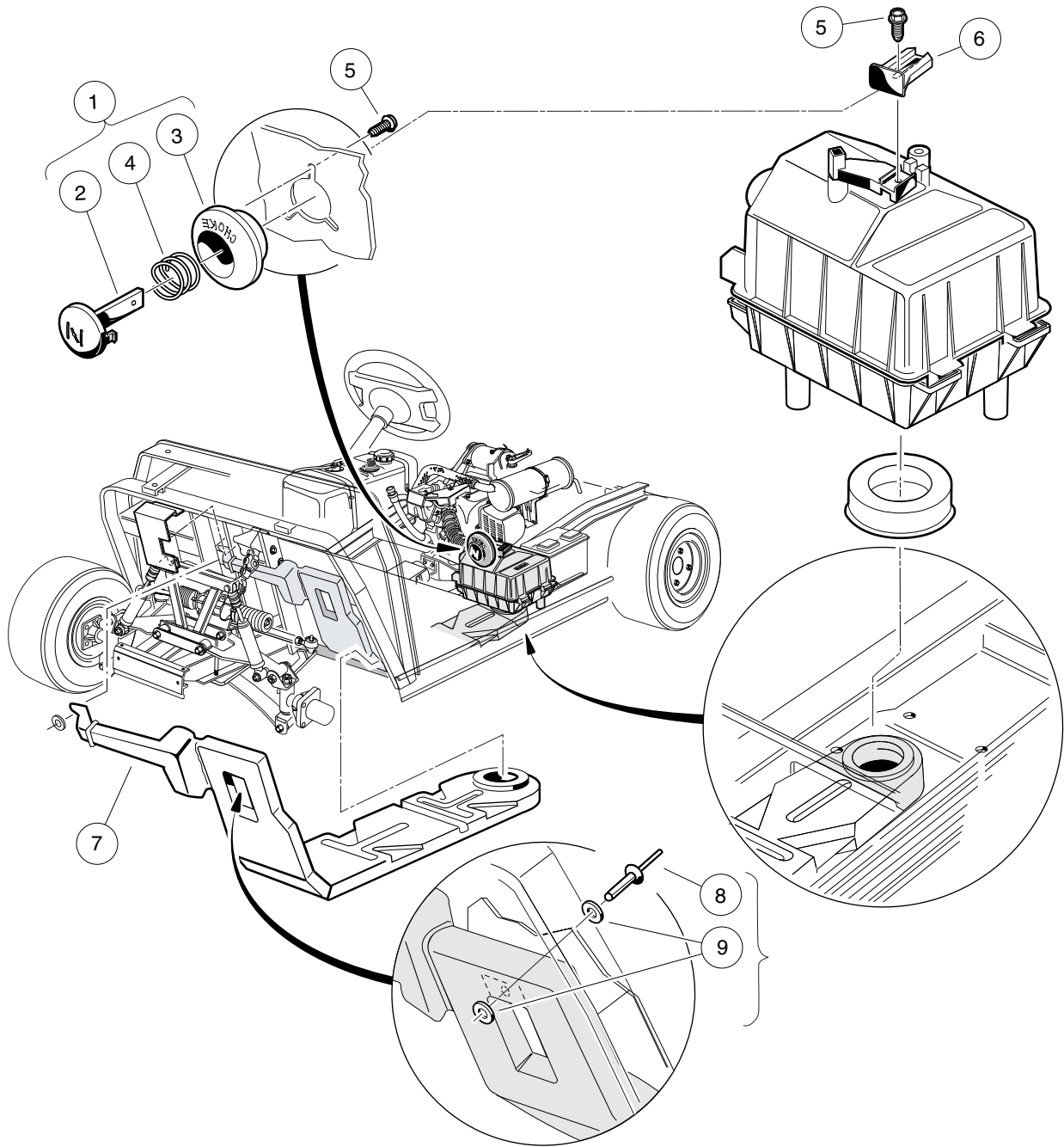
000332-001

# AIR BOX AND INTAKE HOSE

| ITEM | PART NO.  | DESCRIPTION                                            | QTY |
|------|-----------|--------------------------------------------------------|-----|
|      |           | 1 2 3 4                                                |     |
| 1    | 1015752   | Screw, #12-16 X 0.625 Hi-Lo .....                      | 3   |
| 2    | 101821501 | Assembly, Air Box (includes items 3 through 9) .....   | 1   |
| 3    | 1015426   | Filter, Air .....                                      | 1   |
| 4    | 101804301 | Screw, #8 X 0.500, Hex-Head Hi-Lo .....                | 2   |
| 5    | 101811901 | Bottom, Air Box .....                                  | 1   |
| 6    | 101881701 | Washer, #8 Stainless-Steel Flat .....                  | 2   |
| 7    | 101921501 | Seal, Intake .....                                     | 1   |
| 8    | 101925701 | Latch, Wireform .....                                  | 2   |
| 9    | 101972801 | Top Assy, Air Box (includes items 10 through 16) ..... | 1   |
| 10   | N/A       | Valve, Choke .....                                     | 1   |
| 11   | N/A       | Top, Air Box .....                                     | 1   |
| 12   | N/A       | O-Ring, 5/16 .....                                     | 1   |
| 13   | N/A       | O-Ring, 3/8 .....                                      | 1   |
| 14   | 101812301 | Spring, Extension Return .....                         | 1   |
| 15   | 101813001 | Retaining Ring 0.25, Shaft .....                       | 1   |
| 16   | 101917601 | Lever, Choke .....                                     | 1   |
| 17   | 101837101 | Hose, Air Intake .....                                 | 1   |
| 18   | 101971301 | Clamp, 1.58" ID Hose .....                             | 2   |
| 19   | 332       | Washer, 1/4 Type A Narrow Flat .....                   | 3   |

**8**

**G**



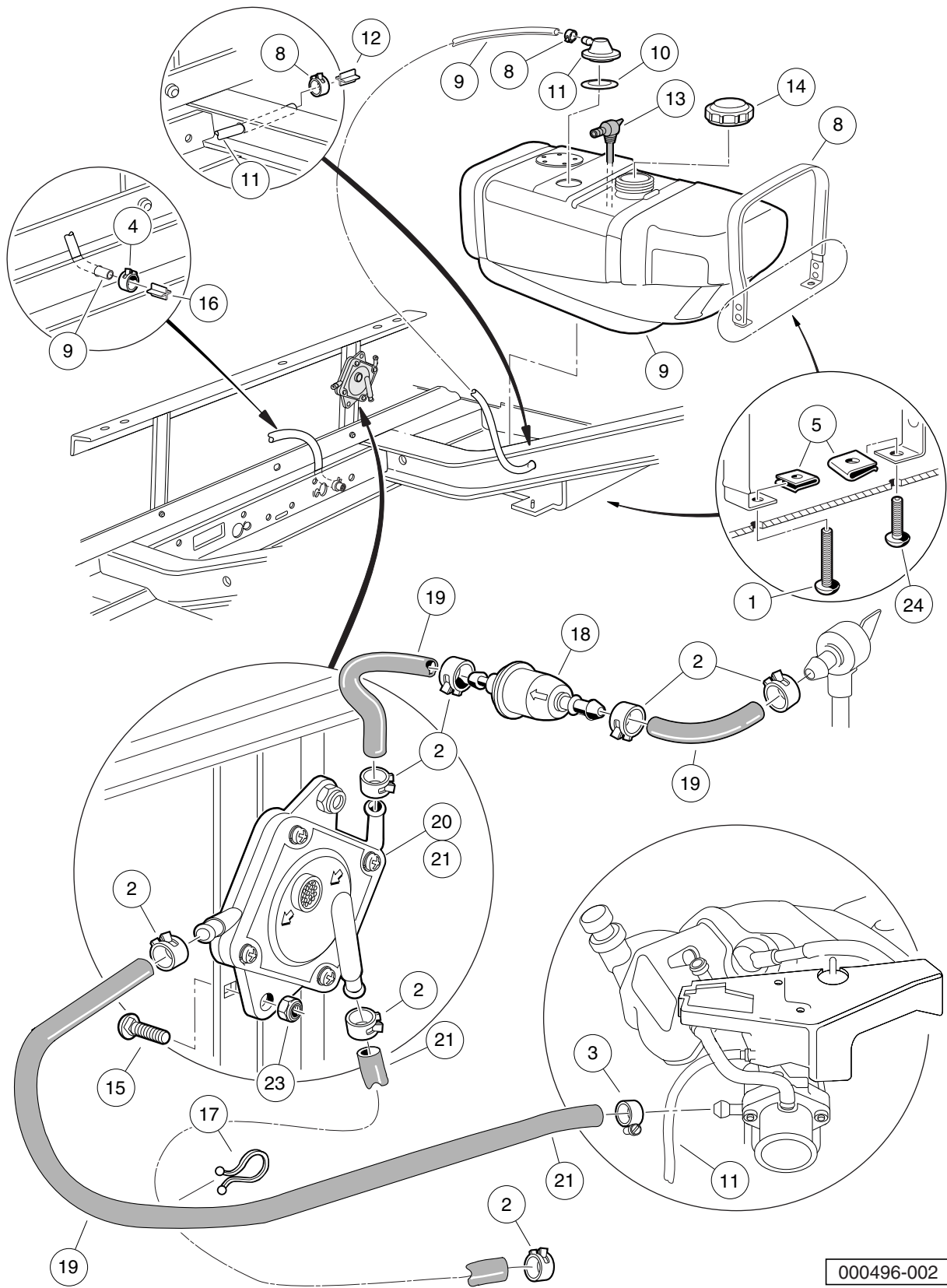
000338-004

# INTAKE SYSTEM

| ITEM | PART NO.  | DESCRIPTION                                               | QTY |
|------|-----------|-----------------------------------------------------------|-----|
|      |           | 1 2 3 4                                                   |     |
| 1    | 101805701 | Button Assembly, Choke (includes items 2 through 4) ..... | 1   |
| 2    | 101811401 | Lever, Choke .....                                        | 1   |
| 3    | 101811501 | Guide, Choke Lever .....                                  | 1   |
| 4    | 101856201 | Compression Spring .....                                  | 1   |
| 5    | 101850301 | Screw, #12-16 X 0.50 Washer-Head Hi-Lo .....              | 4   |
| 6    | 101917701 | Choke Positioner .....                                    | 1   |
| 7    | 103520301 | Duct, Air Intake, Ds .....                                | 1   |
| 8    | 1606      | Rivet, 3/16 X .500 Alum Pop .....                         | 2   |
| 9    | 183       | Washer, #10 Type A Flat .....                             | 4   |

**8**

**G**



000496-002



# FUEL SYSTEM

**8**

**G**

| ITEM | PART NO.  | DESCRIPTION                                                 | QTY |
|------|-----------|-------------------------------------------------------------|-----|
|      |           | <b>1 2 3 4</b>                                              |     |
| 1    | 1011988   | Screw, 1/4-20 X 2.00 Phillips Truss-Head .....              | 1   |
| 2    | 1012649   | Clamp, 0.460 Red Hose .....                                 | 7   |
| 3    | 1013687   | Clamp, 3/8" Hose (screw type) .....                         | 1   |
| 4    | 1013746   | Clamp, 0.301 ID Hose .....                                  | 2   |
| 5    | 1014116   | Nut, 1/4-20 Speed .....                                     | 2   |
| 6    | 1014928   | Fuel Strap Assembly Rear .....                              | 1   |
| 7    | 1016003   | Kit, Fuel Tank - Vented (includes items 8 through 14) ..... | 1   |
| 8    | 1013746   | Clamp, 0.301 ID Hose .....                                  | 2   |
| 9    | 1015137   | Fuel Line (available by the foot) .....                     | A/R |
| 10   | 1015139   | Insulation Grommet .....                                    | 1   |
| 11   | 1015143   | Vent, Fuel Tank .....                                       | 1   |
| 12   | 101824401 | Vent Barb .....                                             | 1   |
| 13   | 101896901 | Fuel Pickup w/Shut-Off Valve .....                          | 1   |
| 14   | 102751601 | Cap, Fuel Tank, Gasoline .....                              | 1   |
| 15   | 1017203   | Carriage Bolt .....                                         | 2   |
| 16   | 101824401 | Vent Barb .....                                             | 1   |
| 17   | 101987701 | Clamp, Plastic Tie .....                                    | 1   |
| 18   | 102003201 | Filter, Fuel, 30 Micron .....                               | 1   |
| 19   | 102865101 | Fuel Line .....                                             | A/R |
| 20   | N/A       | Kit, Fuel Pump Retrofit (includes items 21 and 22) .....    | 1   |
| 21   | 103010101 | Pump, Fuel, Impulse, Fh .....                               | 1   |
| 22   | 103781201 | Instr, Fuel Pump Retrofit .....                             | 1   |
| 23   | 8233      | Locknut, 1/4-20 Nylon Insert .....                          | 2   |
| 24   | 8248      | Screw, 1/4-20 X 0.75 Truss-Head Machine .....               | 1   |
|      |           | Note: Total fuel line length: 47 inches (119.4 cm)          |     |

8

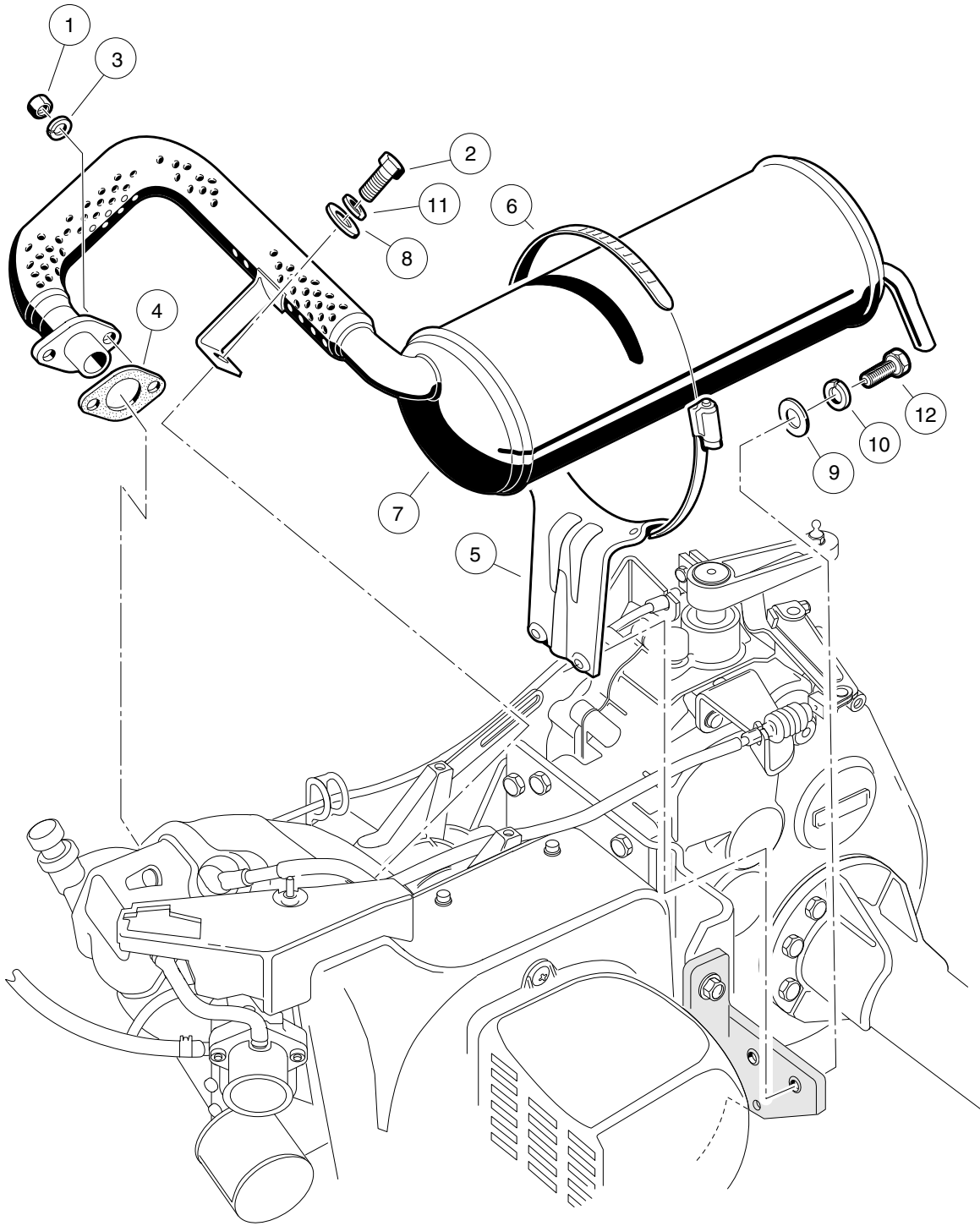
G

# EXHAUST SYSTEM

---

9

G



000208-001

## EXHAUST SYSTEM – FE290 ENGINE

| ITEM | PART NO.  | DESCRIPTION                             | QTY |
|------|-----------|-----------------------------------------|-----|
|      |           | 1 2 3 4                                 |     |
| 1    | 1012528   | Nut, M8-1.25 Hex .....                  | 2   |
| 2    | 1012830   | Screw, M8-125 X 22 Hex-Head .....       | 1   |
| 3    | 1013734   | Lockwasher, 8mm Split .....             | 2   |
| 4    | 1015330   | Gasket, Exhaust .....                   | 1   |
| 5    | 1015814   | Bracket, Muffler Mounting .....         | 1   |
| 6    | 1017689   | Clamp, 5" Muffler Hose .....            | 1   |
| 7    | 101859301 | Exhaust System, FE290 .....             | 1   |
| 8    | 1241      | Washer, 5/16 Type A Flat .....          | 1   |
| 9    | 332       | Washer, 1/4 Type A Narrow Flat .....    | 2   |
| 10   | 451       | Lockwasher, 1/4 Split .....             | 2   |
| 11   | 7174      | Lockwasher, 5/16 Split .....            | 1   |
| 12   | 7847      | Screw, 1/4-20 X 0.75 Hex-Head Cap ..... | 2   |

9  
G

9

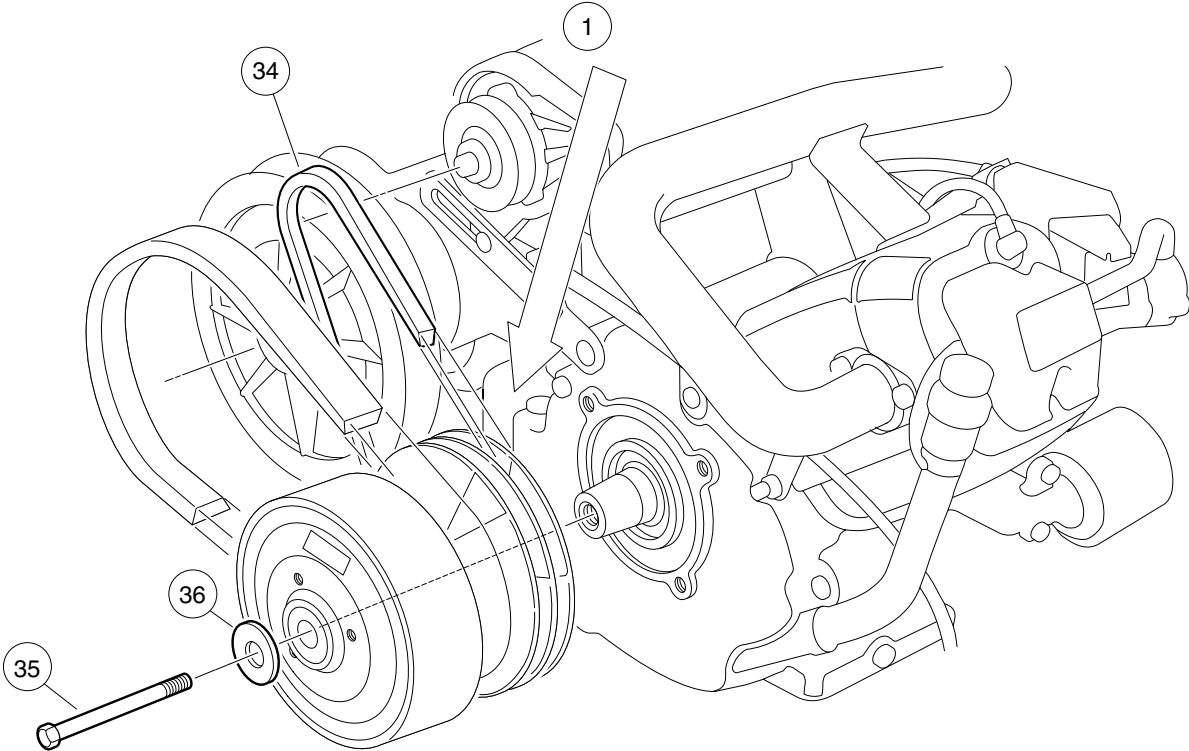
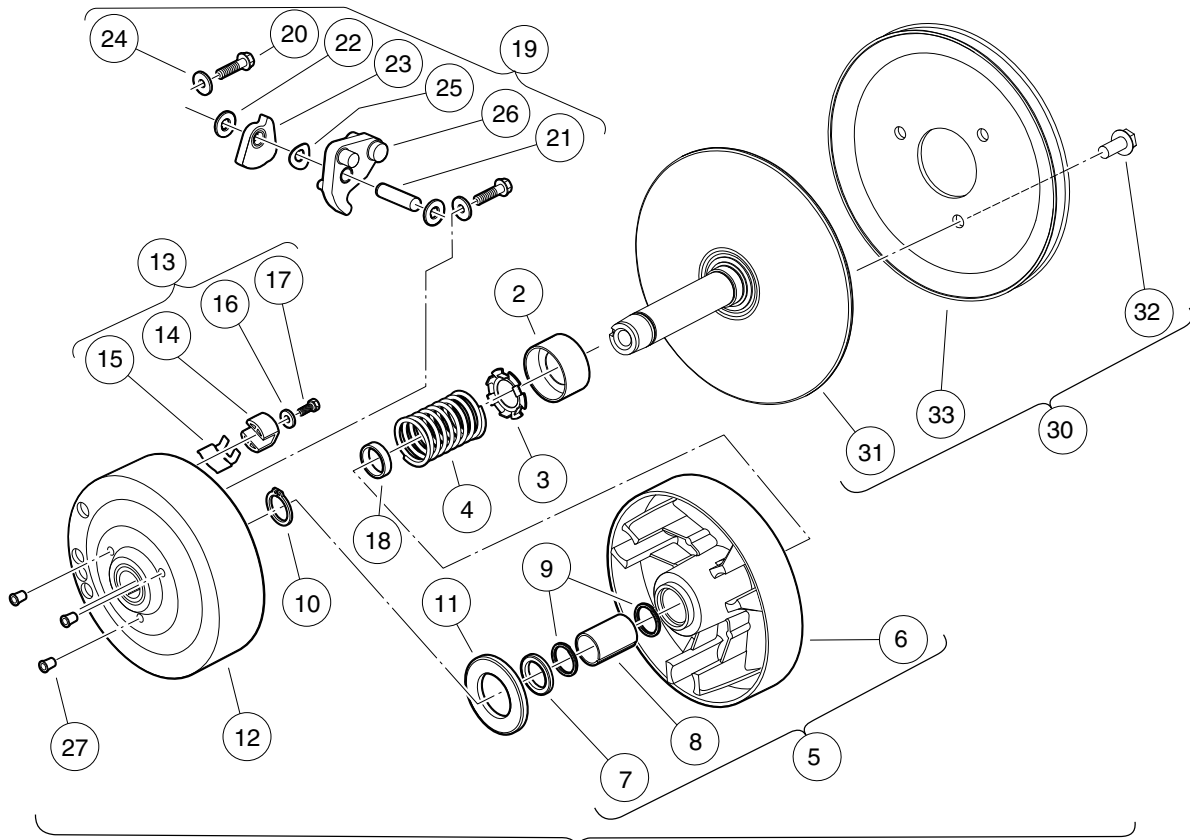
G

# TORQUE CONVERTER

---

10

G



000217-001

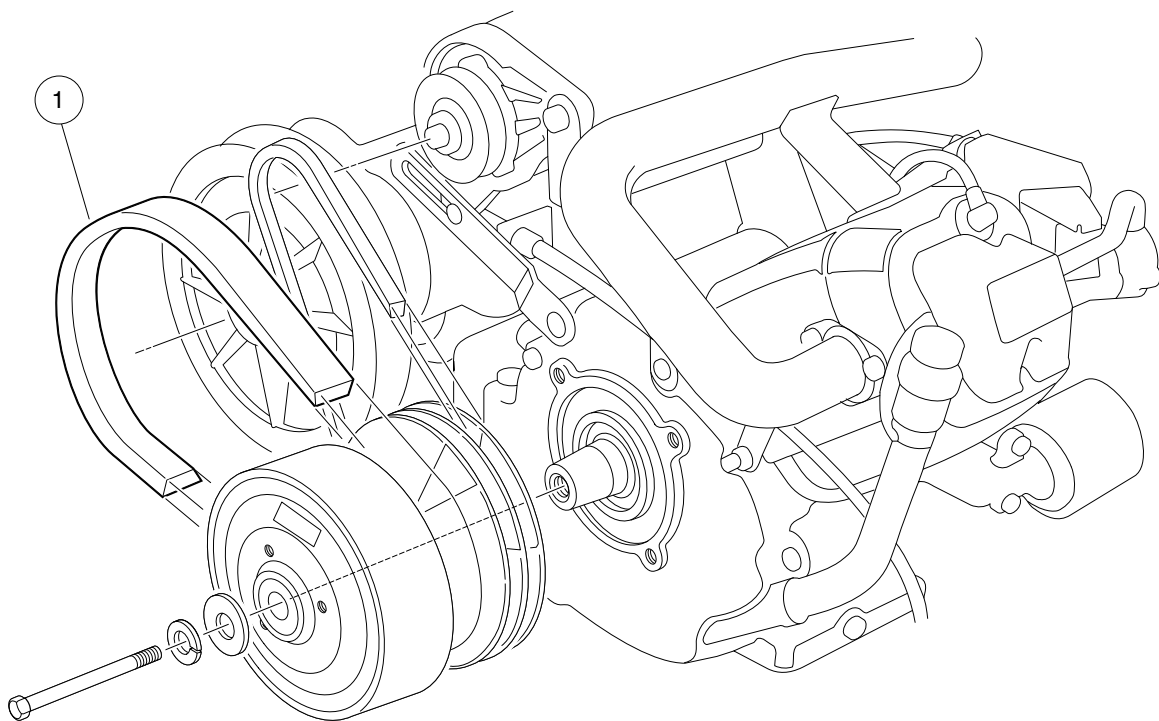


# DRIVE CLUTCH

**10**

**G**

| ITEM | PART NO.  | DESCRIPTION                                                     | QTY |
|------|-----------|-----------------------------------------------------------------|-----|
|      |           | <b>1 2 3 4</b>                                                  |     |
| 1    | 101833902 | Clutch, Drive (includes items 2 through 28) .....               | 1   |
| 2    | 1014049   | Bearing, Idler .....                                            | 1   |
| 3    | 1014050   | Retainer, Spring .....                                          | 1   |
| 4    | 1014051   | Spring, Drive Clutch .....                                      | 1   |
| 5    | 1014052   | Movable-Face Assembly (includes items 6 through 8) .....        | 1   |
| 6    | N/A       | Drive Clutch Movable Face .....                                 | 1   |
| 7    | 1014055   | Retainer .....                                                  | 1   |
| 8    | N/A       | Bushing, Split, Drive Clutch .....                              | 1   |
| 9    | 1014056   | Ring, Spiral Backup .....                                       | 2   |
| 10   | 1014057   | Ring, 0.810" Internal Retaining .....                           | 1   |
| 11   | 1014058   | Thrust Washer .....                                             | 1   |
| 12   | 1014059   | Drive Hub Assy, Drive Clutch .....                              | 1   |
| 13   | 1014453   | Kit, Drive Clutch Button (includes items 14 through 17) .....   | 1   |
| 14   | 1014062   | Driver, Drive Clutch .....                                      | 3   |
| 15   | 1014287   | Spring, Drive Button .....                                      | 3   |
| 16   | 183       | Washer, #10 Type A Flat .....                                   | 3   |
| 17   | 8450      | Screw, #10-24 X 0.50 Hex-Head .....                             | 3   |
| 18   | 1016289   | Spacer, Fixed Face Shaft .....                                  | 1   |
| 19   | 1016801   | Kit, Drive Clutch Weight (includes items 20 through 26) .....   | 1   |
| 20   | 1014063   | Screw, 1/4-20 X 1.00 Hex Head .....                             | 6   |
| 21   | N/A       | Pin, 0.3752 X 1.50 Dowel .....                                  | 3   |
| 22   | 1014065   | Washer, 0.38" ID Delrin Flat .....                              | 6   |
| 23   | N/A       | Clutch Weight, Secondary .....                                  | 3   |
| 24   | N/A       | Washer .....                                                    | 6   |
| 25   | 1016201   | Washer, Wave .....                                              | 3   |
| 26   | N/A       | Weight, Primary .....                                           | 3   |
| 27   | 101925601 | Plug, Drive Clutch .....                                        | 3   |
| 28   | 101929802 | Kit, Fxd Face Dr Asm Fe290/350 (includes items 29 and 30) ..... | 1   |
| 29   | N/A       | Desiccant Bag (Not Shown) .....                                 | 1   |
| 30   | 101929801 | Assembly, Fixed-Face Drive (includes items 31 through 33) ..... | 1   |
| 31   | N/A       | Fixed Face Assembly, Drive Clutch .....                         | 1   |
| 32   | 1014288   | Screw, 5/16-18 X 0.75 Thread-Forming .....                      | 3   |
| 33   | N/A       | Pulley, Clutch .....                                            | 1   |
| 34   | 101916701 | V-Belt .....                                                    | 1   |
| 35   | 103345701 | Screw 3/8-24x5.5 Hex Loc Ptch .....                             | 1   |
| 36   | 808       | Washer, 3/8 Type B Flat .....                                   | 1   |
|      |           | Note: Item 29 not shown.                                        |     |



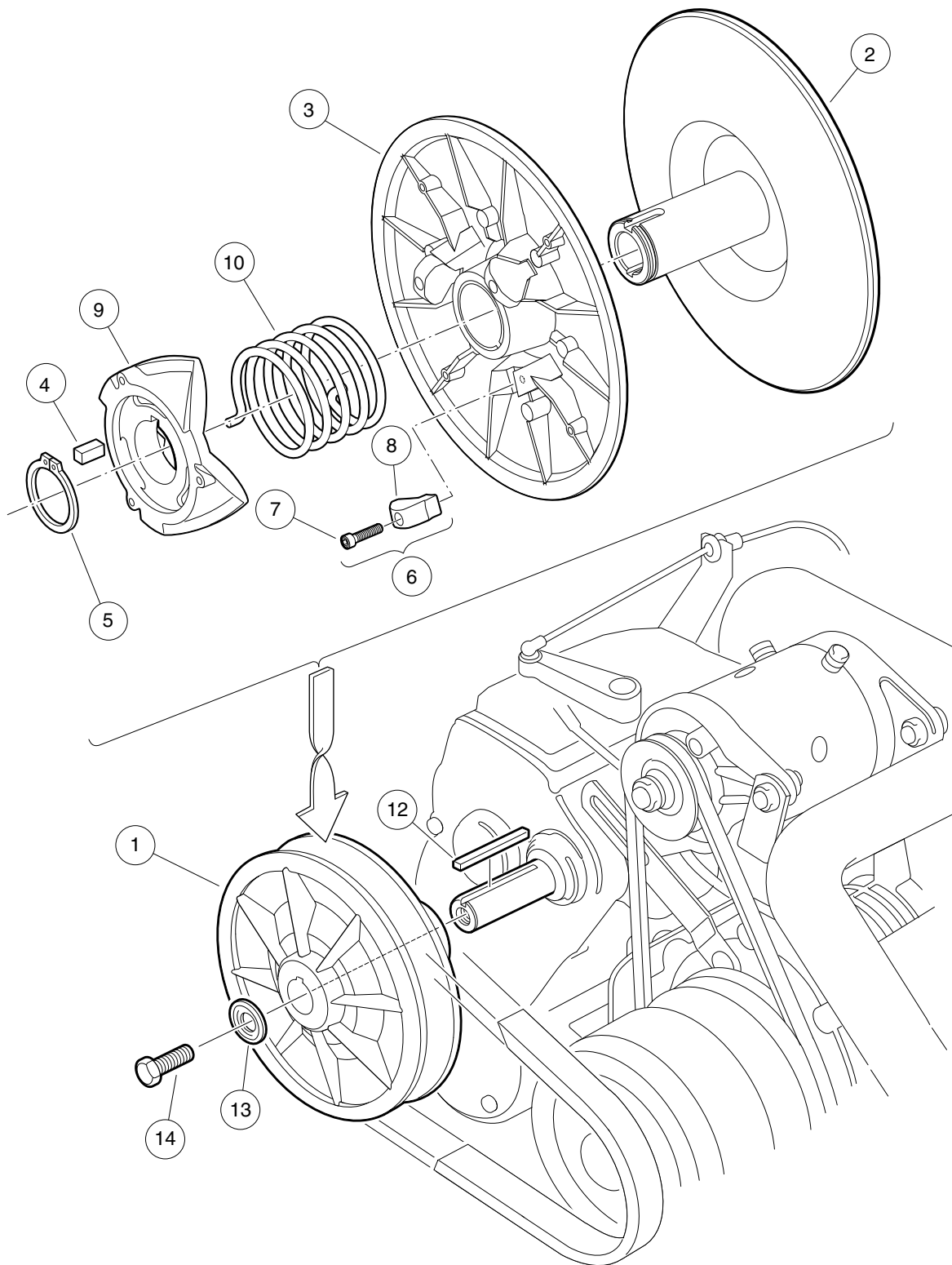
000218-001

# DRIVE BELT – FE290

| ITEM | PART NO. | DESCRIPTION                                                                                                                                                           | QTY |
|------|----------|-----------------------------------------------------------------------------------------------------------------------------------------------------------------------|-----|
| 1    | 1016203  | <div style="display: flex; justify-content: space-between; margin-bottom: 5px;"> <span>1</span> <span>2</span> <span>3</span> <span>4</span> </div> Belt, Drive ..... | 1   |

10

G



000219-001

# DRIVEN CLUTCH

| ITEM | PART NO.  | DESCRIPTION                                                 | QTY |
|------|-----------|-------------------------------------------------------------|-----|
|      |           | <b>1 2 3 4</b>                                              |     |
| 1    | 101834001 | Assembly, Driven Clutch (includes items 2 through 10) ..... | 1   |
| 2    | 1014070   | Fixed Face Assy, Driven Clutch .....                        | 1   |
| 3    | 1014072   | Movable-Face Assembly with Bushing .....                    | 1   |
| 4    | 1014078   | Key, Driven Clutch .....                                    | 1   |
| 5    | 1014080   | Ring, Retaining .....                                       | 1   |
| 6    | 1014454   | Kit, Driven Clutch Button (includes items 7 and 8) .....    | 1   |
| 7    | 1012836   | Screw, #8-32 X 3/4 Socket-Head Cap .....                    | 3   |
| 8    | N/A       | Button, Drive .....                                         | 3   |
| 9    | 1017686   | Cam, Driven Clutch .....                                    | 1   |
| 10   | 101836201 | Spring, Driven Clutch, Reversed .....                       | 1   |
| 11   | AM10419   | Kit, Clutch Repair (includes items 12 through 14) .....     | 1   |
| 12   | 101833401 | Key, 3/16 Sq X 1.50" .....                                  | 1   |
| 13   | 102155801 | Washer, Driven Clutch .....                                 | 1   |
| 14   | 102242101 | Screw, 5/16-18 X 3/4 Hex-Head with Patch .....              | 1   |

**10**  
**G**

**10**

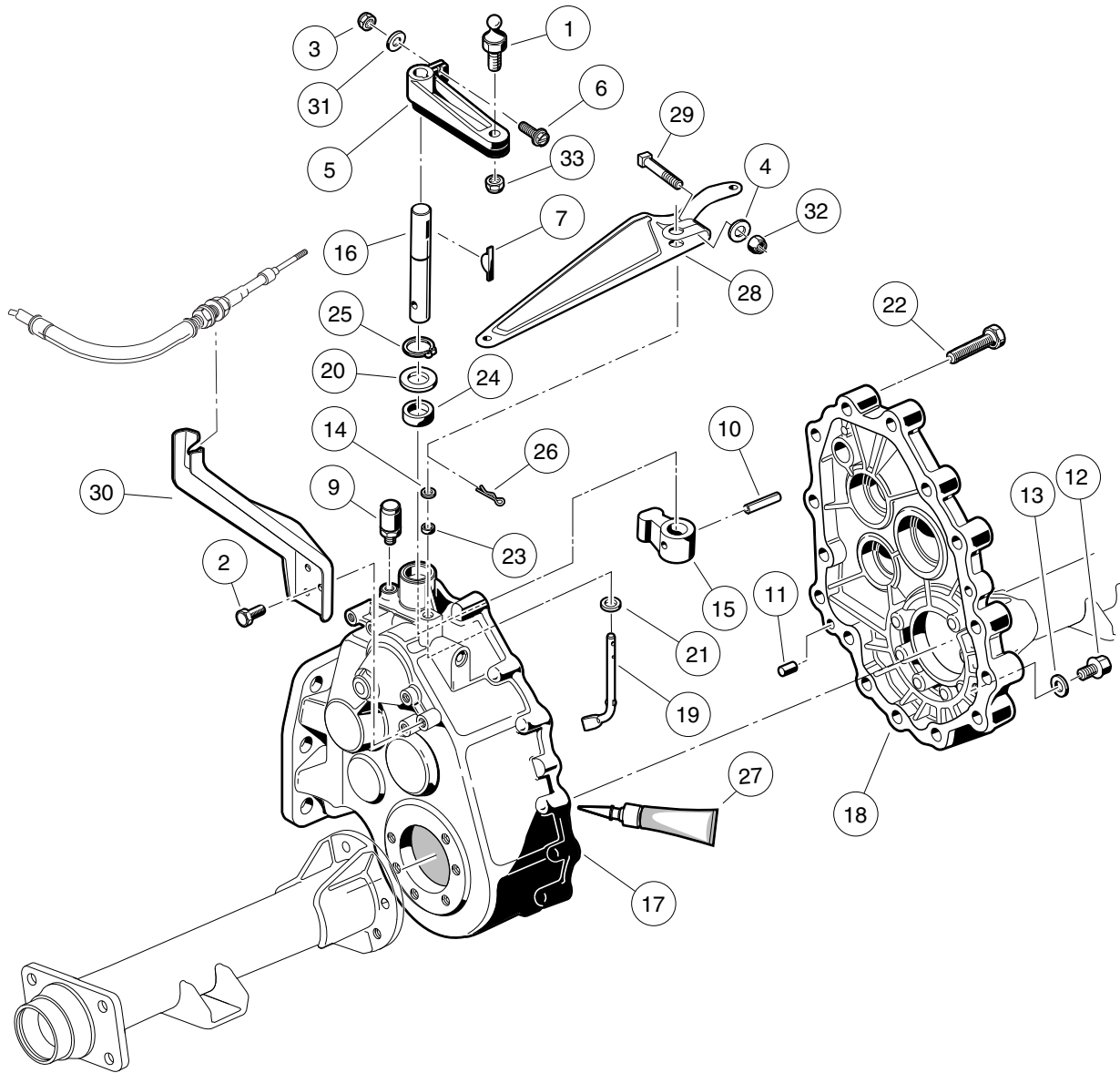
**G**

# TRANSAXLE – GASOLINE VEHICLE

---

11

G



000220-001

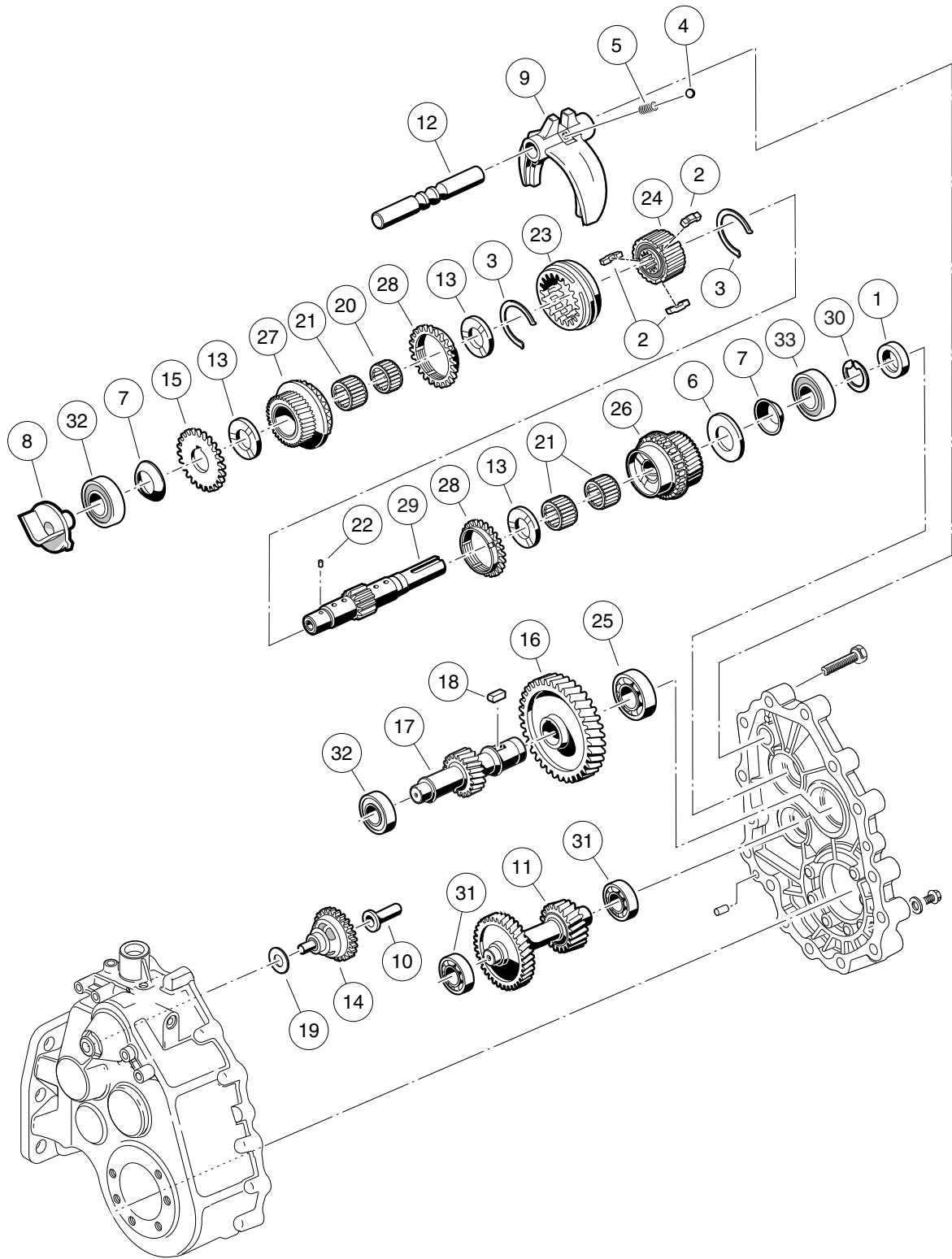


# TRANSAXLE – GASOLINE VEHICLES, GEAR CASES AND BRACKETS

| ITEM | PART NO.  | DESCRIPTION                                                | QTY |
|------|-----------|------------------------------------------------------------|-----|
|      |           | <b>1 2 3 4</b>                                             |     |
| 1    | 1010954   | Stud, 1/4-28 X 0.560 Ball .....                            | 1   |
| 2    | 1012285   | Screw, 1/4 X 0.625 Hex-Head .....                          | 3   |
| 3    | 1013061   | Locknut, #10-32 Nylon Insert .....                         | 1   |
| 4    | 1014007   | Washer, 1/4 Flat .....                                     | 1   |
| 5    | 1016341   | Lever, Transmission Shift .....                            | 1   |
| 6    | 1017082   | Screw, #10-32 X 0.75, Hex-Head Machine .....               | 1   |
| 7    | 1017231   | Key, Woodruff .....                                        | 1   |
| 8    | 101833601 | Transaxle, 11.77 Ratio (includes items 9 through 27) ..... | 1   |
| 9    | 1012711   | Breather .....                                             | 1   |
| 10   | 1012752   | Roll Pin .....                                             | 1   |
| 11   | 1012896   | Pin, Dowel .....                                           | 2   |
| 12   | 1013760   | Fill Plug .....                                            | 2   |
| 13   | 1016432   | Gasket, Drain Plug .....                                   | 1   |
| 14   | 1016513   | Washer, M6 Flat .....                                      | 1   |
| 15   | 101890101 | Lever, Change .....                                        | 1   |
| 16   | 101890201 | Shaft - Change .....                                       | 1   |
| 17   | 101890501 | Gear Case (driver side) .....                              | 1   |
| 18   | 101890601 | Gear Case (passenger side) .....                           | 1   |
| 19   | 101891301 | Arm Pivot .....                                            | 1   |
| 20   | 101892901 | Washer .....                                               | 1   |
| 21   | 101893801 | Washer .....                                               | 1   |
| 22   | 101926901 | Screw, M8-1.25 X 40mm Hex-Head .....                       | 15  |
| 23   | 101927101 | Seal, Oil .....                                            | 1   |
| 24   | 101927201 | Seal, Oil .....                                            | 1   |
| 25   | 101927301 | Snap Ring .....                                            | 1   |
| 26   | 101928601 | Pin, Cotter .....                                          | 1   |
| 27   | 101928701 | Liquid Gasket (Transaxle case) .....                       | A/R |
| 28   | 101834801 | Arm, Governor .....                                        | 1   |
| 29   | 101886101 | Screw, 1/4-20 X 1.00 Square-Head .....                     | 1   |
| 30   | 102045901 | Bracket, Shifter .....                                     | 1   |
| 31   | 183       | Washer, #10 Type A Flat .....                              | 1   |
| 32   | 8233      | Locknut, 1/4-20 Nylon Insert .....                         | 1   |
| 33   | 8717      | Locknut, 1/4-28 Nylon Insert .....                         | 1   |

11

G



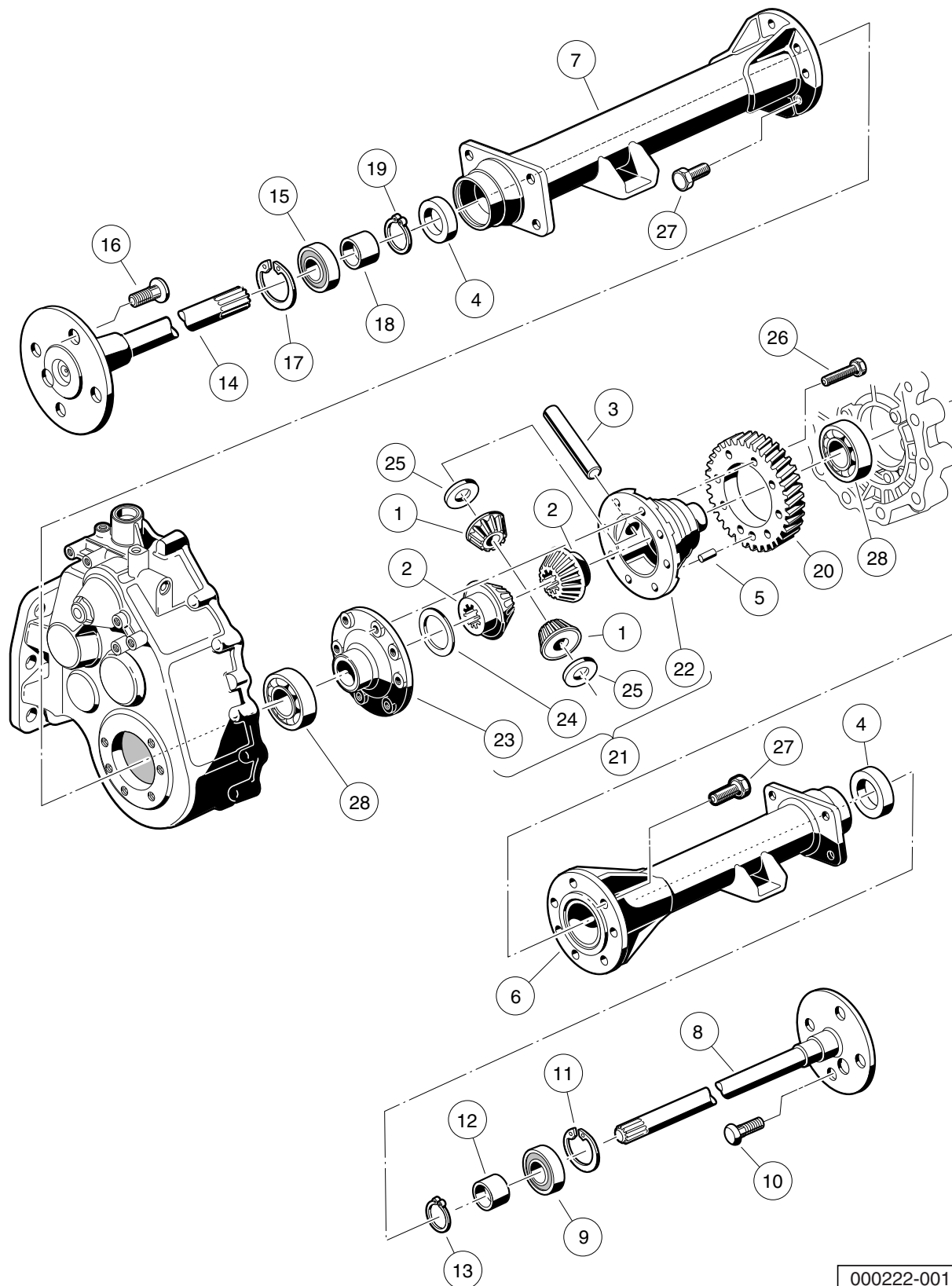
000221-001

# TRANSAXLE – GASOLINE VEHICLES, TRANSMISSION AND GEAR REDUCTION

11

G

| ITEM                                                                             | PART NO.  | DESCRIPTION                                            | QTY |
|----------------------------------------------------------------------------------|-----------|--------------------------------------------------------|-----|
|                                                                                  |           | 1 2 3 4                                                |     |
| 1                                                                                | 1012714   | Oil Seal .....                                         | 1   |
| 2                                                                                | 1012740   | Synchro Insert .....                                   | 3   |
| 3                                                                                | 1012741   | Synchro Spring .....                                   | 2   |
| 4                                                                                | 1012747   | Shifter Ball .....                                     | 1   |
| 5                                                                                | 1012748   | Shifter Spring .....                                   | 1   |
| 6                                                                                | 1016337   | Washer, Thrust .....                                   | 1   |
| 7                                                                                | 1016338   | Washer, Spring .....                                   | 2   |
| 8                                                                                | 101889401 | Guide .....                                            | 1   |
| 9                                                                                | 101890001 | Fork - Shift .....                                     | 1   |
| 10                                                                               | 101891601 | Sleeve, Governor .....                                 | 1   |
| 11                                                                               | 101891901 | Gear, Cluster .....                                    | 1   |
| 12                                                                               | 101892001 | Rod, Shift .....                                       | 1   |
| 13                                                                               | 101892201 | Plate, Thrust .....                                    | 3   |
| 14                                                                               | 101892301 | Governor Assembly .....                                | 1   |
| 15                                                                               | 101892401 | Gear, Spur .....                                       | 1   |
| 16                                                                               | 101892501 | Gear, Helical (61 Tooth) .....                         | 1   |
| 17                                                                               | 101892601 | Gear, Helical (17 Tooth) .....                         | 1   |
| 18                                                                               | 101893201 | Key Sunk .....                                         | 1   |
| 19                                                                               | 101893901 | Washer .....                                           | 1   |
| 20                                                                               | 101927501 | Needle Bearing .....                                   | 1   |
| 21                                                                               | 101927601 | Needle Bearing .....                                   | 3   |
| 22                                                                               | 101927701 | Pin, .116" Dia X 0.264 Dowel .....                     | 1   |
| 23                                                                               | 101927901 | Sleeve, Synchro .....                                  | 1   |
| 24                                                                               | 101928001 | Hub, Synchro Clutch .....                              | 1   |
| 25                                                                               | 101928101 | Bearing, Ball .....                                    | 1   |
| 26                                                                               | 101980801 | Gear Assembly, 16-Degree Synchro (25 Tooth) .....      | 1   |
| 27                                                                               | 101980901 | Gear Assembly, 16-Degree Rear Synchro (28 Tooth) ..... | 1   |
| 28                                                                               | 101981001 | Ring, 16-Degree Synchronizer .....                     | 2   |
| 29                                                                               | 102453001 | Shaft, Trans, with Circlip .....                       | 1   |
| 30                                                                               | 102453101 | Circlip .....                                          | 1   |
| 31                                                                               | 7335      | Bearing .....                                          | 2   |
| 32                                                                               | AM10080   | Bearing, Ball, Sealed .....                            | 2   |
| 33                                                                               | AM10081   | Bearing, Ball, Sealed .....                            | 1   |
| <p>Note: Items listed on this page are components of the unitized transaxle.</p> |           |                                                        |     |

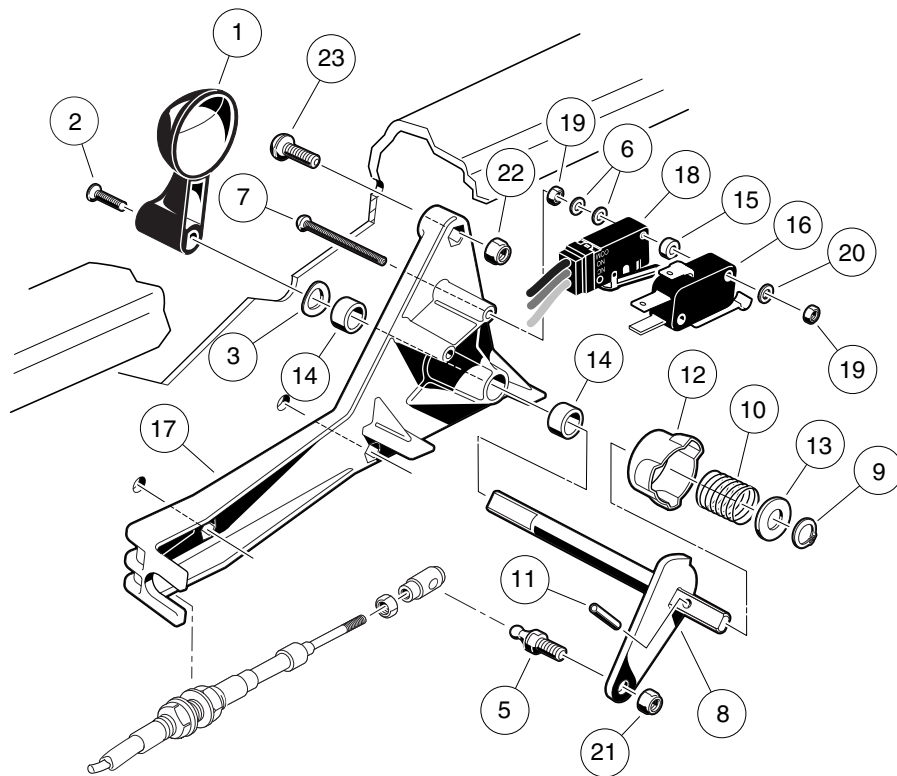


000222-001

# TRANSAXLE – GASOLINE VEHICLES, DIFFERENTIAL AND AXLES

| ITEM | PART NO.  | DESCRIPTION                                                       | QTY |
|------|-----------|-------------------------------------------------------------------|-----|
|      |           | <b>1 2 3 4</b>                                                    |     |
| 1    | 1013770   | Differential Idler Gear .....                                     | 2   |
| 2    | 1013771   | Gear, Differential .....                                          | 2   |
| 3    | 1013772   | Pin, Differential .....                                           | 1   |
| 4    | 1013794   | Axle Shaft Oil Seal .....                                         | 2   |
| 5    | N/A       | Dowel Pin .....                                                   | 1   |
| 6    | 101890901 | Pipe .....                                                        | 1   |
| 7    | 101891001 | Pipe .....                                                        | 1   |
| 8    | 101891401 | Axle Assembly, Passenger Side (includes items 9 through 13) ..... | 1   |
| 9    | 1011291   | Outer Axle, Tube Bearing .....                                    | 1   |
| 10   | 1013787   | Lug Stud .....                                                    | 4   |
| 11   | 1013792   | Circlip Type C .....                                              | 1   |
| 12   | 1014207   | Bushing .....                                                     | 1   |
| 13   | 1016672   | Retaining Ring .....                                              | 1   |
| 14   | 101891501 | Axle Assembly, Driver-Side (includes items 15 through 19) .....   | 1   |
| 15   | 1011291   | Outer Axle, Tube Bearing .....                                    | 1   |
| 16   | 1013787   | Lug Stud .....                                                    | 4   |
| 17   | 1013792   | Circlip Type C .....                                              | 1   |
| 18   | 1014207   | Bushing .....                                                     | 1   |
| 19   | 1016672   | Retaining Ring .....                                              | 1   |
| 20   | 101892701 | Gear, Helical .....                                               | 1   |
| 21   | 101910501 | Kit, Differential Gear Case (includes items 22 through 25) .....  | 1   |
| 22   | 1013768   | Differential Gear Case, Left-Hand .....                           | 1   |
| 23   | 1013769   | Differential Gear Case, Right-Hand .....                          | 1   |
| 24   | 1013773   | Plate, Thrust (Differential Gear) .....                           | 1   |
| 25   | 1013774   | Plate, Thrust (Idler Gear) .....                                  | 2   |
| 26   | 101928301 | Screw, M8-1.25 X 35mm Hex Head .....                              | 8   |
| 27   | 102031901 | Bolt, M10 X 1.5 X 30mm .....                                      | 14  |
| 28   | 7330      | Inner Axle Tube Bearing .....                                     | 2   |

**11**  
**G**

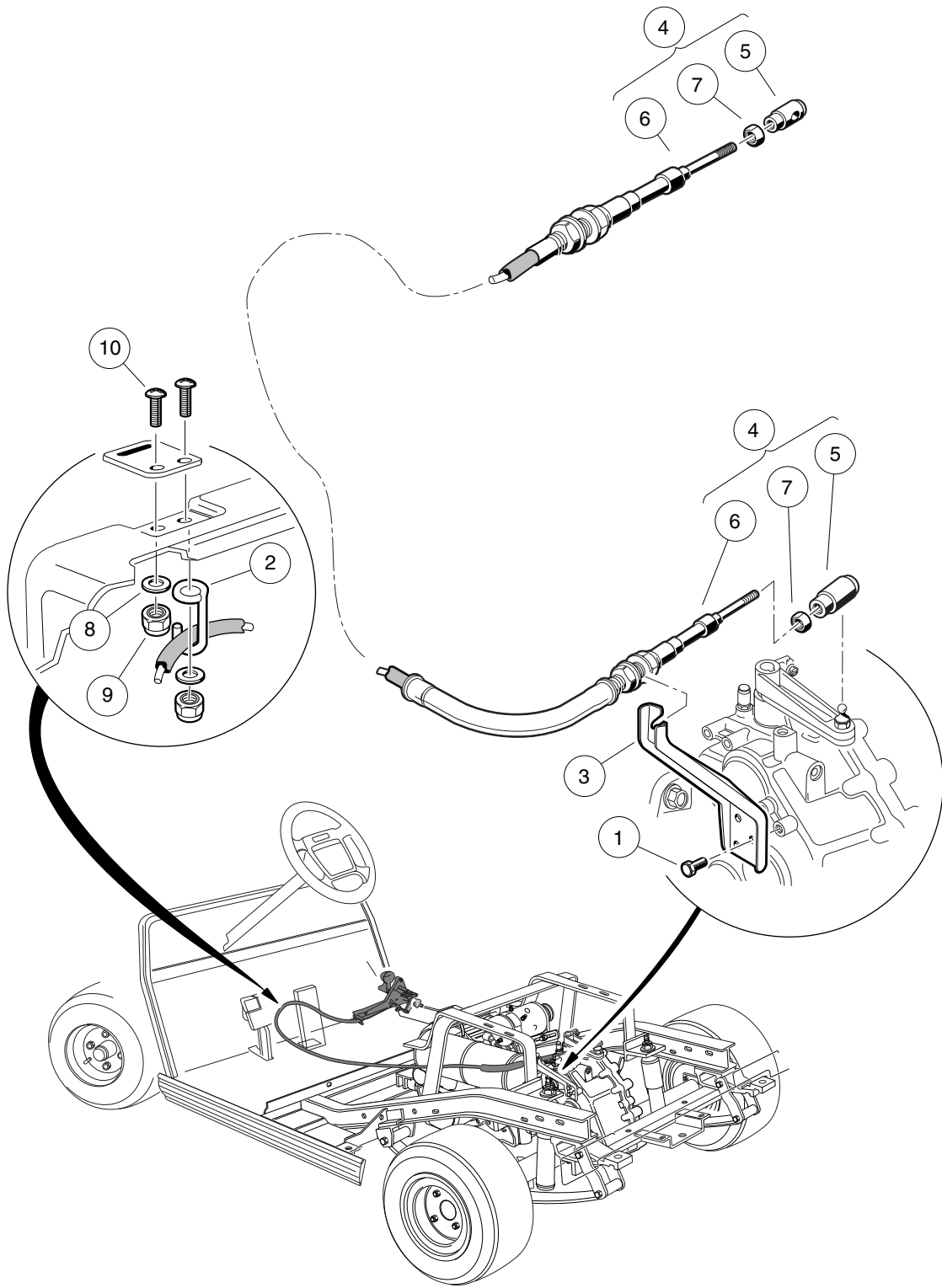


000236-001

# FORWARD/REVERSE SHIFTER ASSEMBLY – GASOLINE VEHICLES

| ITEM | PART NO.  | DESCRIPTION                                               | QTY |
|------|-----------|-----------------------------------------------------------|-----|
|      |           | <b>1 2 3 4</b>                                            |     |
| 1    | 1012987   | Handle, FNR .....                                         | 1   |
| 2    | 1015064   | Screw, #8-32 X 0.63 Machine .....                         | 1   |
| 3    | 1016201   | Washer, Wave .....                                        | 1   |
| 4    | 1016947   | Assembly, FNR Shifter (includes items 5 through 21) ..... | 1   |
| 5    | 1010954   | Stud, 1/4-28 X 0.560 Ball .....                           | 1   |
| 6    | 1012431   | Washer, #4 Flat .....                                     | 4   |
| 7    | 1012594   | Screw, #4-40 Machine .....                                | 2   |
| 8    | 1013587   | FNR Bell Crank Weldment .....                             | 1   |
| 9    | 1013589   | Ring, 0.338" Internal Retaining .....                     | 1   |
| 10   | 1013590   | Spring, FNR Cam .....                                     | 1   |
| 11   | 1013591   | Pin, 1/8 X 1/2 Roll .....                                 | 1   |
| 12   | 1014089   | Neutral Lockout Cam Kit (includes item 13) .....          | 1   |
| 13   | 1014065   | Washer, 0.38" ID Delrin Flat .....                        | 1   |
| 14   | 1014145   | Bushing, Secondary Weight, Split .....                    | 2   |
| 15   | 1014727   | Washer, #4 Nylon Flat .....                               | 2   |
| 16   | 1014807   | Switch, Limit .....                                       | 1   |
| 17   | 1016342   | FNR Shifter Base .....                                    | 1   |
| 18   | 101979101 | Assembly, Switch, Limit .....                             | 1   |
| 19   | 8057      | Nut, #4-40 Hex Machine .....                              | 4   |
| 20   | 8058      | Lockwasher, #4 Split .....                                | 2   |
| 21   | 8717      | Locknut, 1/4-28 Nylon Insert .....                        | 1   |
| 22   | 8233      | Locknut, 1/4-20 Nylon Insert .....                        | 4   |
| 23   | 8248      | Screw, 1/4-20 X 0.75 Truss-Head Machine .....             | 4   |

**11**  
**G**



000248-001



# FORWARD/REVERSE SHIFTER CABLE – GASOLINE VEHICLES

| ITEM | PART NO.  | DESCRIPTION                                          | QTY |
|------|-----------|------------------------------------------------------|-----|
|      |           | 1 2 3 4                                              |     |
| 1    | 1012285   | Screw, 1/4 X 0.625 Hex-Head .....                    | 3   |
| 2    | 101855801 | Cable Retainer .....                                 | 1   |
| 3    | 101922601 | Bracket, Shifter .....                               | 1   |
| 4    | 101951501 | FNR Shifter Cable (includes items 5 through 7) ..... | 1   |
| 5    | 1012333   | Joint, #10-32 Ball .....                             | 2   |
| 6    | 103379501 | Cable, Transmission Shifter Ds .....                 | 1   |
| 7    | 7893      | Nut, #10-32 Hex .....                                | 2   |
| 8    | 332       | Washer, 1/4 Type A Narrow Flat .....                 | 4   |
| 9    | 8233      | Locknut, 1/4-20 Nylon Insert .....                   | 4   |
| 10   | 8251      | Screw, 1/4-20 X 1.0 Truss-Head Machine .....         | 4   |

**11**  
**G**

11

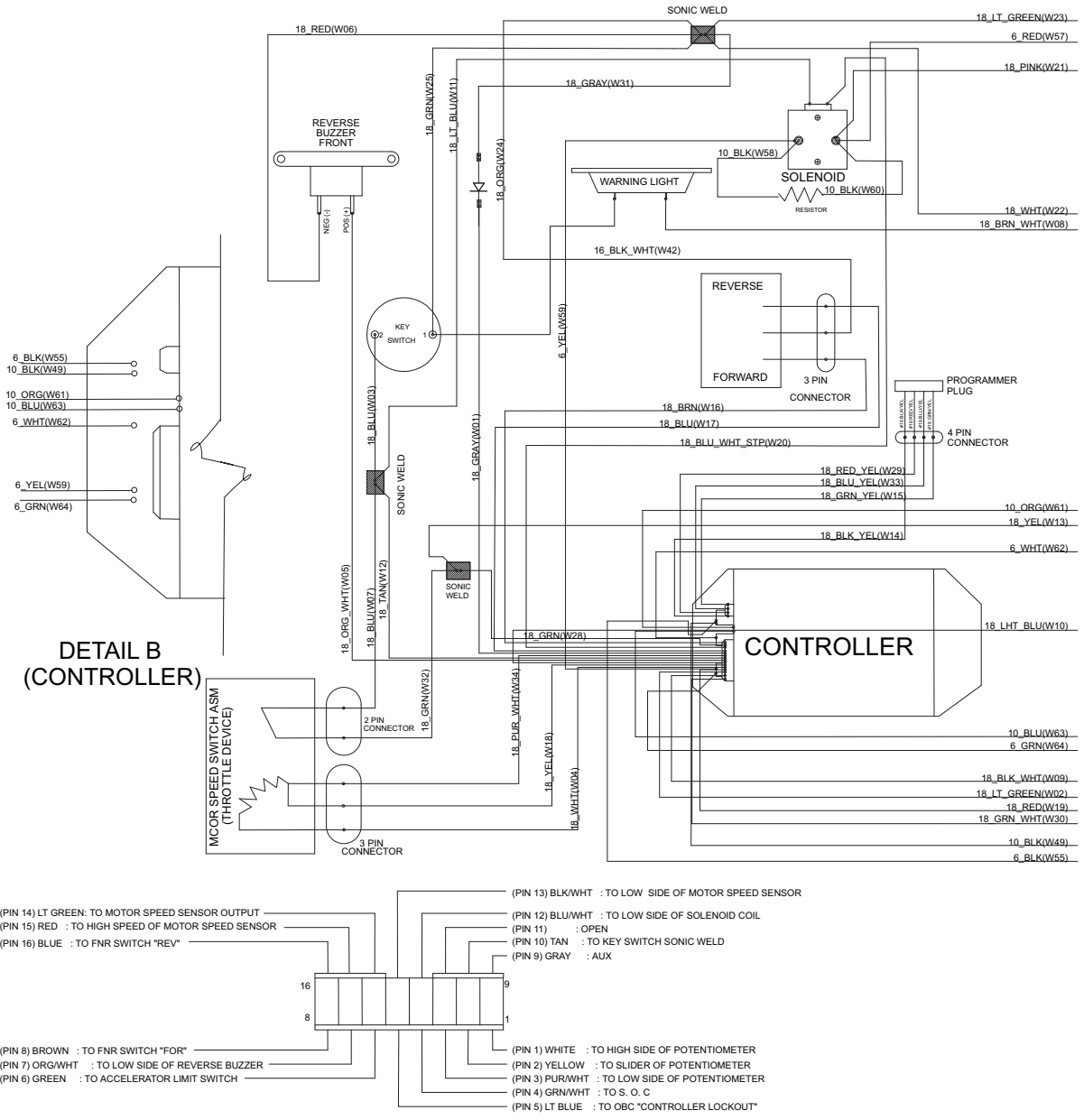
G

# ELECTRICAL SYSTEM – ELECTRIC VEHICLE

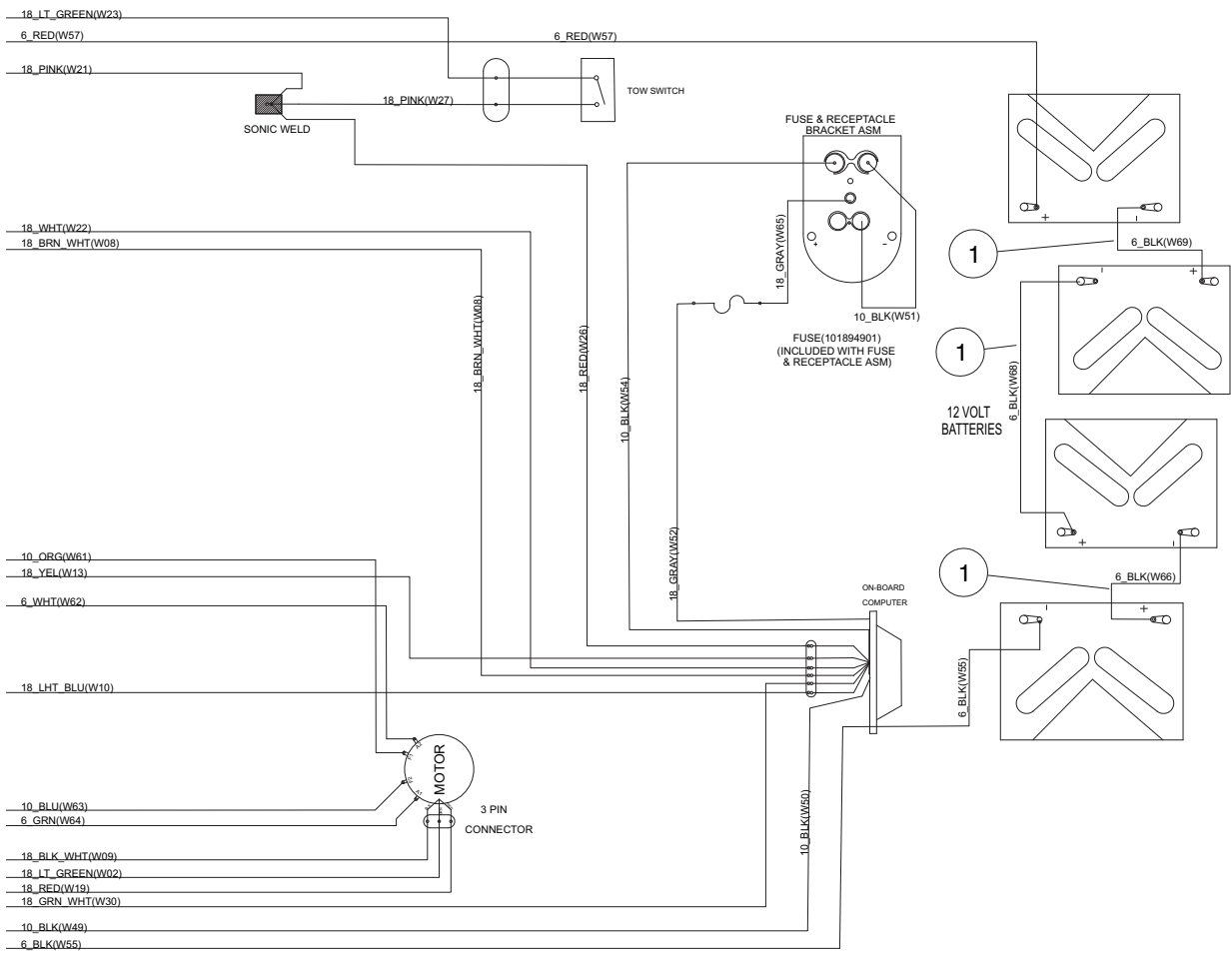
---

12

*E*



000412-002



000412-002

**12**

***E***

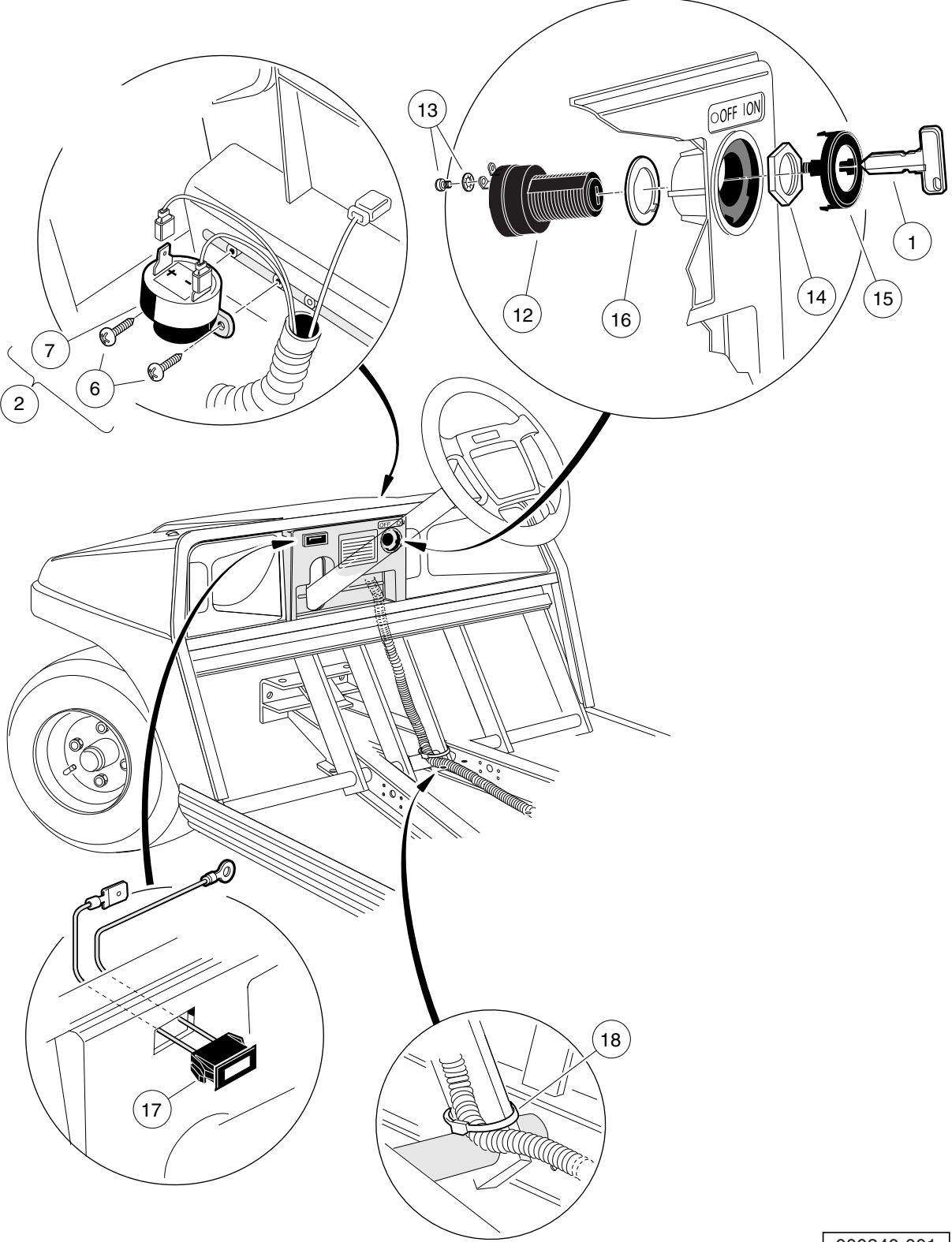
See previous two pages for illustration.

# WIRING

| ITEM | PART NO.  | DESCRIPTION                                              | QTY |
|------|-----------|----------------------------------------------------------|-----|
| 1    | 101795701 | 1 2 3 4<br>Asm, Wire, #6blk 13in .....                   | 3   |
| 2    | 102913301 | Wire Harness, Electric, DS, Four 12-Volt Batteries ..... | 1   |
| 3    | 103250701 | Wire Harness Ds Iq Data .....                            | 1   |

**12**

**E**



000340-001

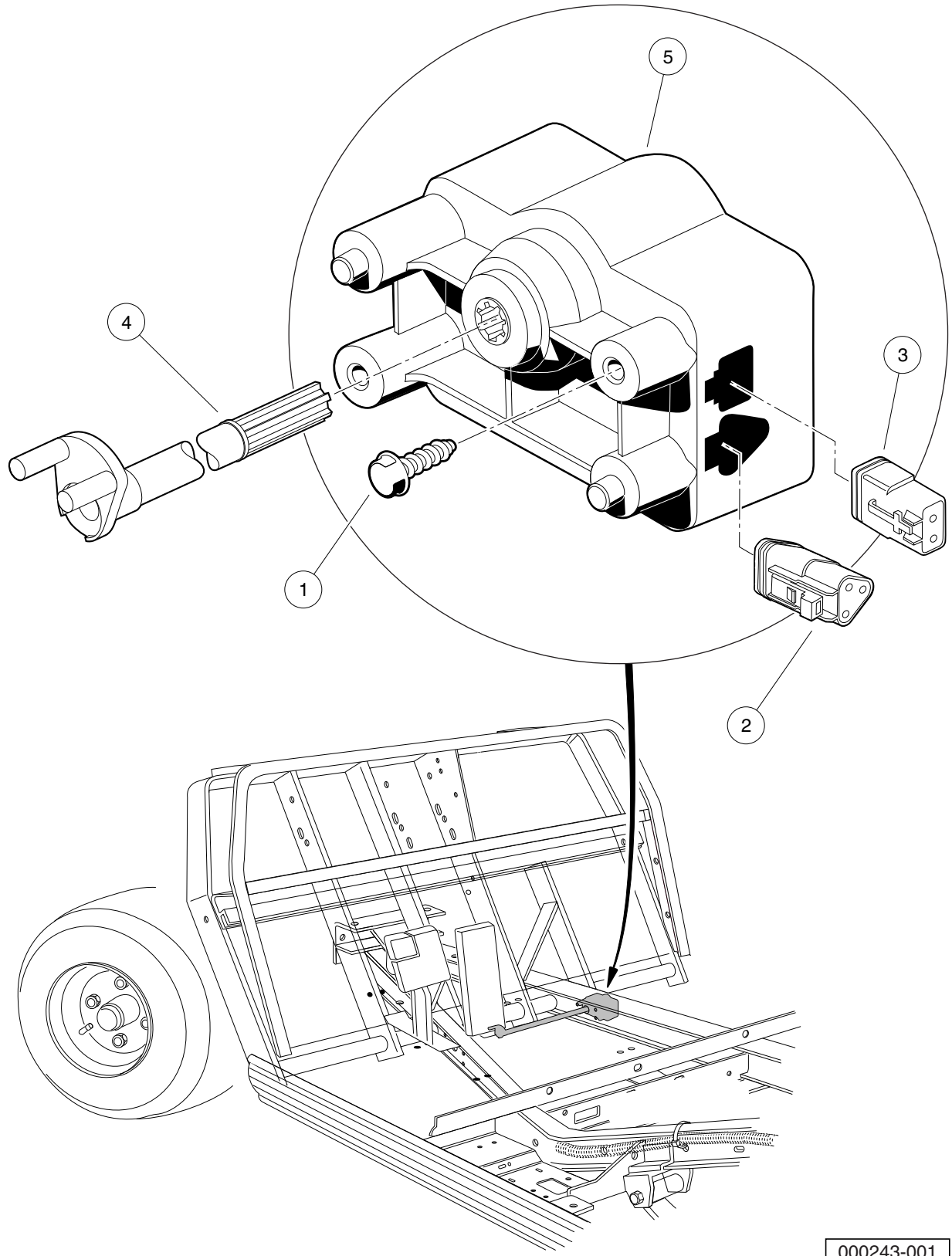


# INSTRUMENT PANEL COMPONENTS

| ITEM                                                                           | PART NO.  | DESCRIPTION                                             | QTY |
|--------------------------------------------------------------------------------|-----------|---------------------------------------------------------|-----|
|                                                                                |           | <b>1 2 3 4</b>                                          |     |
| 1                                                                              | 1012505   | Keys (set of 2) .....                                   | 1   |
| 2                                                                              | 1016859   | Kit, Reverse Buzzer (includes items 3 through 11) ..... | 1   |
| 3                                                                              | 1011229   | Locknut, #6-32 Whiz .....                               | 1   |
| 4                                                                              | 1012431   | Washer, #4 Flat .....                                   | 2   |
| 5                                                                              | 1015720   | Screw, #6-32 X 1/2 Hex Washer-Head .....                | 1   |
| 6                                                                              | 1016849   | Screw, #4-24 X 0.33 Pan-Head Machine .....              | 2   |
| 7                                                                              | 1016851   | Buzzer, Reverse (9-48 VDC) .....                        | 1   |
| 8                                                                              | 1016857   | Wire Assembly Black #18 .....                           | 1   |
| 9                                                                              | 8056      | Screw, #4-40 X 0.75 Round-Head Machine .....            | 2   |
| 10                                                                             | 8057      | Nut, #4-40 Hex Machine .....                            | 2   |
| 11                                                                             | 8058      | Lockwasher, #4 Split .....                              | 2   |
| 12                                                                             | 101826201 | Key Switch, On/Off .....                                | 1   |
| 13                                                                             | 101830601 | Screw and Washer Assembly .....                         | 2   |
| 14                                                                             | 101830701 | Nut, Key Switch .....                                   | 1   |
| 15                                                                             | 101834502 | Cap, Black Key Switch .....                             | 1   |
| 16                                                                             | 101851101 | Washer, Key Switch .....                                | 1   |
| 17                                                                             | 101935501 | Light, Battery (Amber) .....                            | 1   |
| 18                                                                             | 8990      | Tie Wrap, 8" Nylon .....                                | 2   |
| Note: Item 2, Reverse Buzzer Kit, contains parts not used in this application. |           |                                                         |     |

12

E



000243-001

## MOTOR CONTROLLER OUTPUT REGULATOR (MCOR)

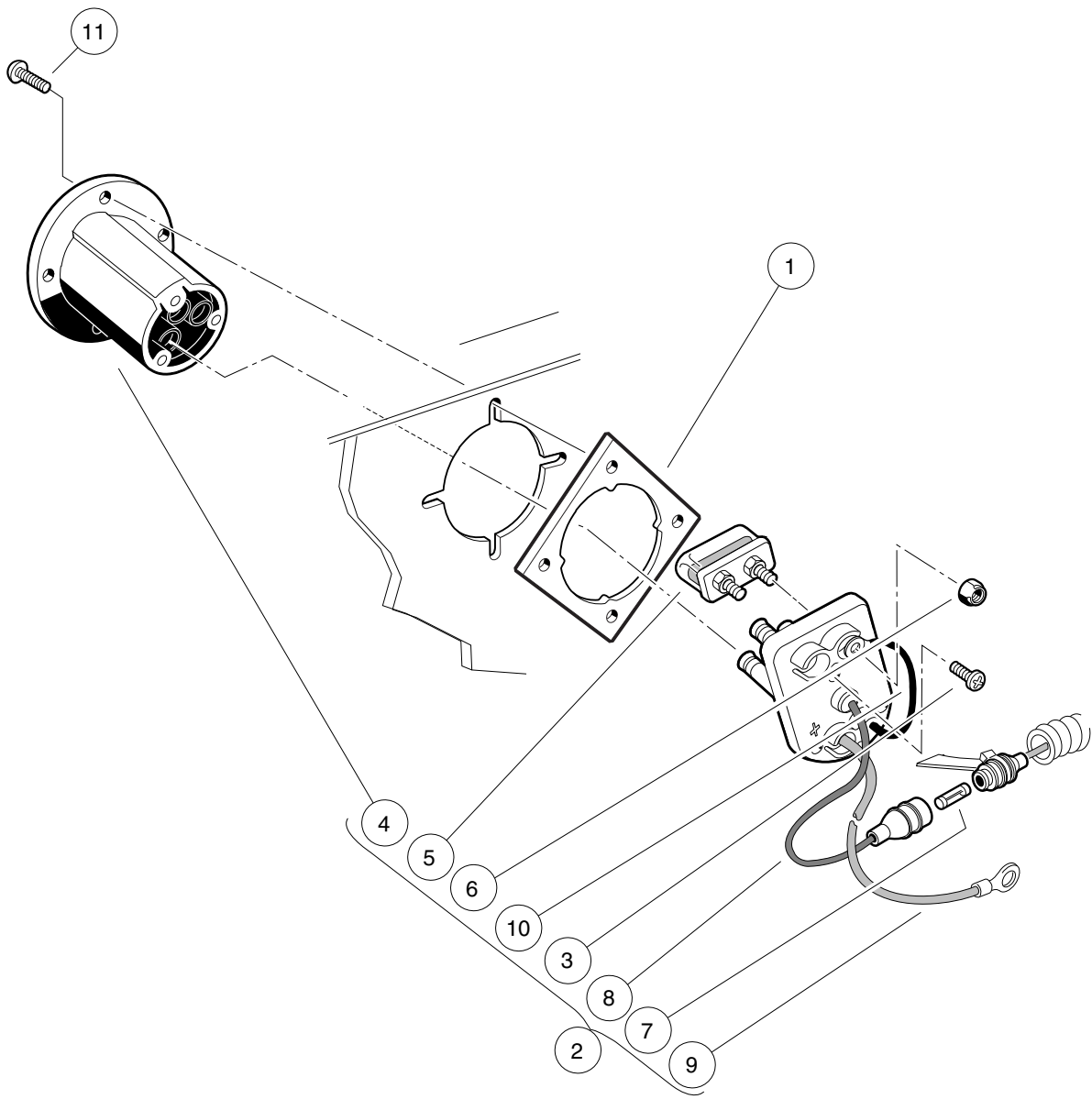
| ITEM | PART NO.  | DESCRIPTION                       | QTY |
|------|-----------|-----------------------------------|-----|
|      |           | 1 2 3 4                           |     |
| 1    | 1015752   | Screw, #12-16 X 0.625 Hi-Lo ..... | 2   |
| 2    | 101920101 | Kit, 3-Pin Wedge Lock .....       | 1   |
| 3    | 101936801 | Kit, 2-Pin Wedge Lock .....       | 1   |
| 4    | 102101001 | Bar, Drive, Cast .....            | 1   |
| 5    | 102101101 | MCOR .....                        | 1   |

12

E

12

E



000369-001

# BATTERY CHARGER RECEPTACLE

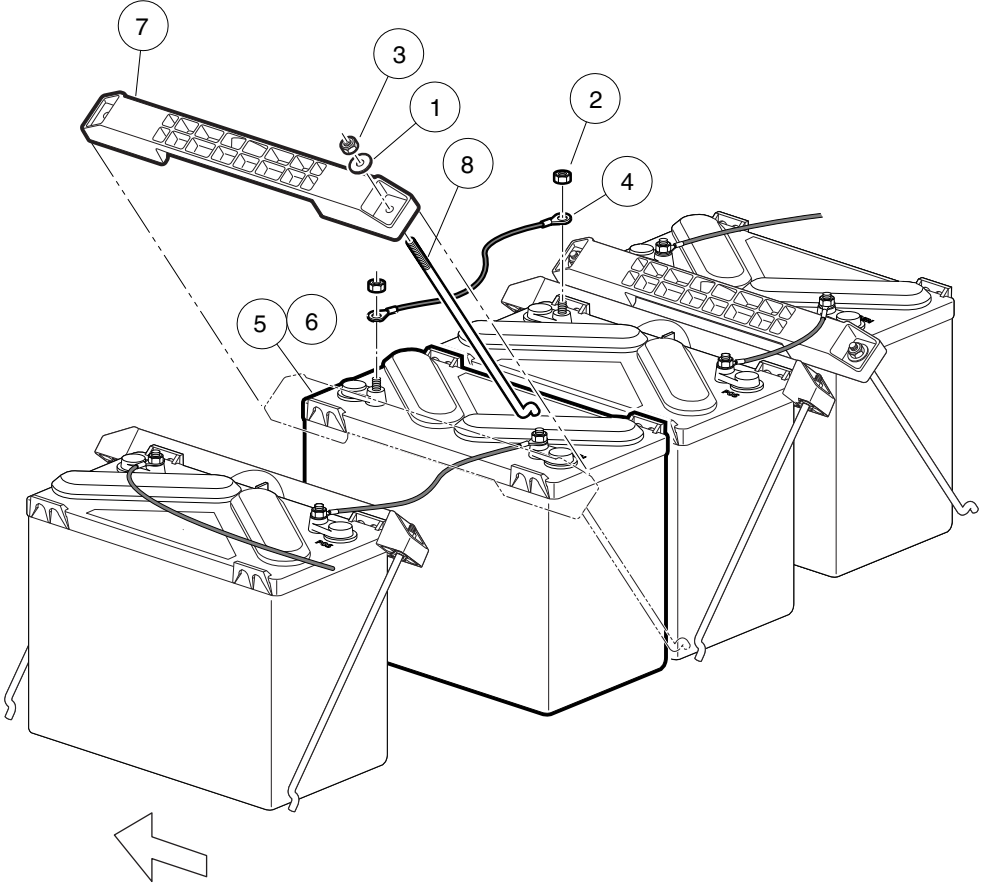
| ITEM | PART NO.  | DESCRIPTION                                                      | QTY |
|------|-----------|------------------------------------------------------------------|-----|
|      |           | <b>1 2 3 4</b>                                                   |     |
| 1    | 101801001 | Plate, Receptacle Backing .....                                  | 1   |
| 2    | 101802101 | Fuse and Receptacle Assembly (includes items 3 through 10) ..... | 1   |
| 3    | 1017705   | Screw, #8 X 5/8 Phillips Pan-Head Type AB .....                  | 3   |
| 4    | 101796501 | Receptacle .....                                                 | 1   |
| 5    | 101796801 | Fuse Assembly (includes item 6) .....                            | 1   |
| 6    | 1013061   | Locknut, #10-32 Nylon Insert .....                               | 2   |
| 7    | 101894901 | Fuse, 3/8-Amp .....                                              | 1   |
| 8    | N/A       | Wire Assembly, Sense Lead, Gray .....                            | 1   |
| 9    | N/A       | Wire Assembly, #10 Red .....                                     | 1   |
| 10   | N/A       | Wire Assembly, #10 Black .....                                   | 1   |
| 11   | 101832001 | Screw, #7-19 X 0.625 Phillips Pan-Head Tap .....                 | 4   |

12

E

12

E



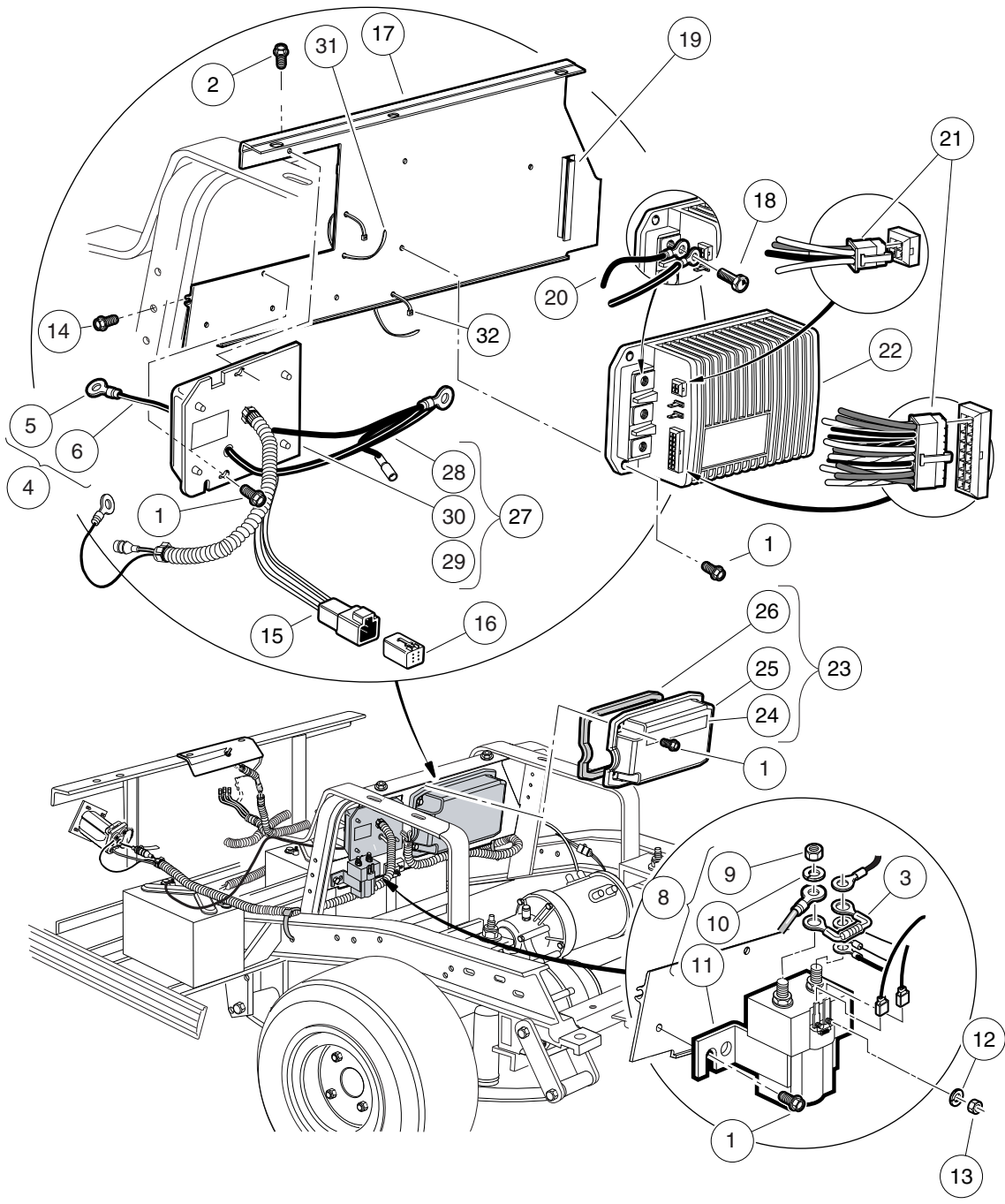
000241-002

# BATTERIES, ELECTRIC VEHICLE

| ITEM | PART NO.  | DESCRIPTION                                                  | QTY |
|------|-----------|--------------------------------------------------------------|-----|
|      |           | <b>1 2 3 4</b>                                               |     |
| 1    | 1011697   | Washer, 5/16 Flat .....                                      | 8   |
| 2    | 1014304   | Nut, 5/16-18 Stainless-Steel Hex .....                       | 8   |
| 3    | 1015072   | Locknut, 5/16-18 Nylon Insert .....                          | 8   |
| 4    | 101795701 | Asm, Wire, #6blk 13in .....                                  | 3   |
| 5    | 102511301 | Battery, Ventmaster 12-Volt (Wet) .....                      | 4   |
| 6    | 102511302 | Battery, Ventmaster 12-Volt (Dry, also known as moist) ..... | 4   |
| 7    | 102777401 | Battery Hold-Down .....                                      | 4   |
| 8    | 102832601 | Bolt, Battery, J- .....                                      | 8   |

**12**

**E**



000242-005

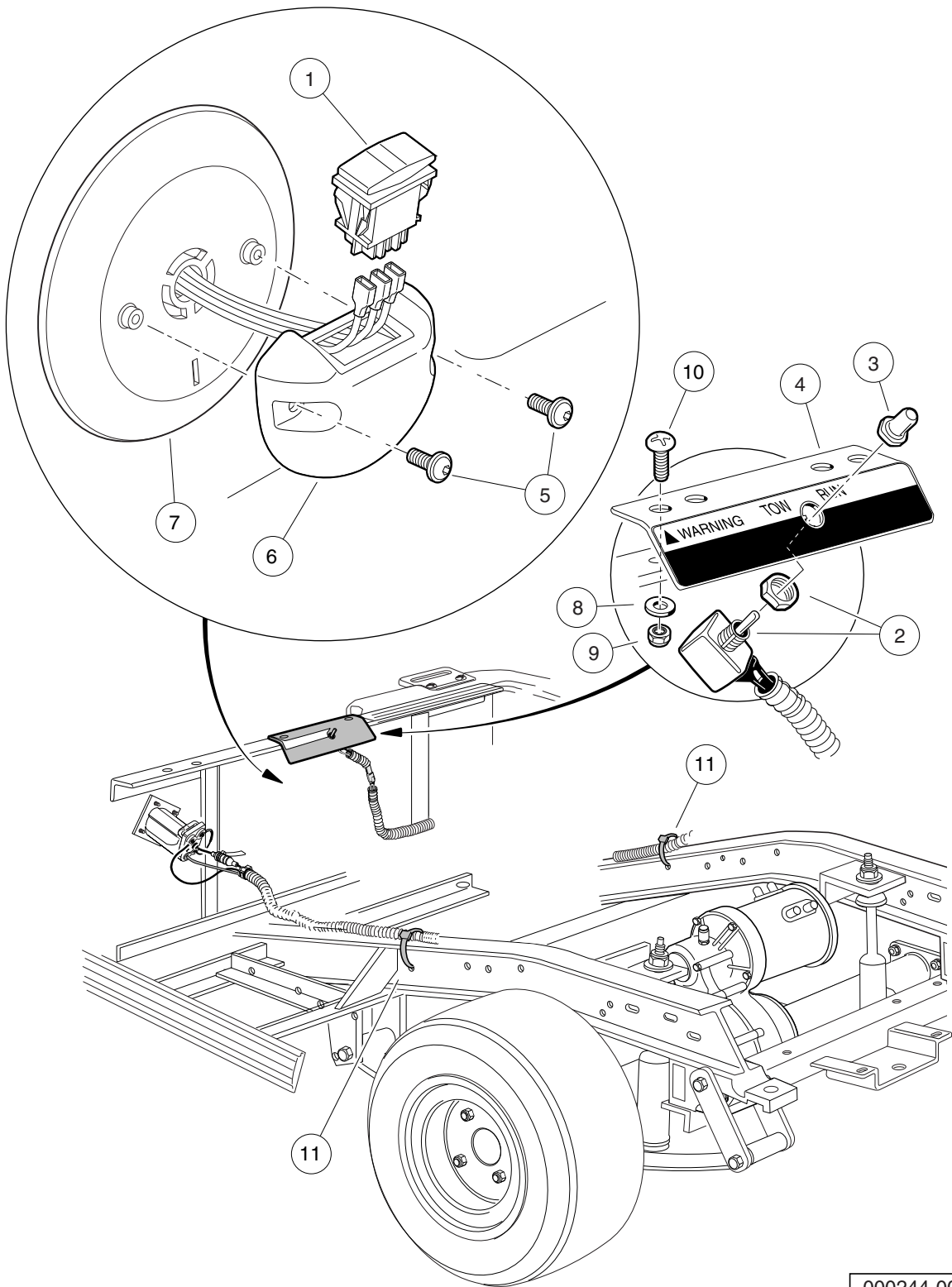


# OBC, CONTROLLER, AND SOLENOID – ELECTRIC VEHICLE

| ITEM | PART NO.  | DESCRIPTION                                                   | QTY |
|------|-----------|---------------------------------------------------------------|-----|
|      |           | 1 2 3 4                                                       |     |
| 1    | 1012285   | Screw, 1/4 X 0.625 Hex-Head .....                             | 9   |
| 2    | 1014288   | Screw, 5/16-18 X 0.75 Thread-Forming .....                    | 2   |
| 3    | 1014947   | Resistor Assembly .....                                       | 1   |
| 4    | 101827801 | Ground Wire Kit, 48-Volt (includes items 5 through 7) .....   | 1   |
| 5    | 101826801 | Compression Lug .....                                         | 1   |
| 6    | N/A       | Wire Assembly, Black .....                                    | 1   |
| 7    | 8990      | Tie Wrap, 8" Nylon .....                                      | 3   |
| 8    | 101908701 | Solenoid, 48-Volt (includes items 9 through 13) .....         | 1   |
| 9    | 1012528   | Nut, M8-1.25 Hex .....                                        | 2   |
| 10   | 1013734   | Lockwasher, 8mm Split .....                                   | 2   |
| 11   | N/A       | Solenoid, 48-Volt .....                                       | 1   |
| 12   | N/A       | Washer, Lock .....                                            | 2   |
| 13   | N/A       | Nut .....                                                     | 2   |
| 14   | 101910401 | Screw, 5/16-18 X 1.25 Thrd Frm .....                          | 2   |
| 15   | 101932601 | Kit, 6-Pin Wedge Lock .....                                   | 1   |
| 16   | 101932701 | Kit, 6-Pin Receptacle and Wedge Lock .....                    | 1   |
| 17   | 101965205 | Plate, Component Mounting .....                               | 1   |
| 18   | 102240501 | Bolt, Controller, Terminal .....                              | 3   |
| 19   | ****      | Extrusion, Cover Support .....                                | 1   |
| 20   | 102263601 | Wire Assy, #10 Black .....                                    | 1   |
| 21   | 102266501 | Kit, Connector, IQ Controller .....                           | 1   |
| 22   | 102806201 | Controller, IQ, 48-volt .....                                 | 1   |
| 23   | 103316901 | Cover Asm - Controller (includes items 24 through 26) .....   | 1   |
| 24   | 101931501 | Decal, Component Cover .....                                  | 1   |
| 25   | 103316701 | Cover - Controller, Deep .....                                | 1   |
| 26   | 103316801 | Gasket - Controller Cover .....                               | 1   |
| 27   | 103359401 | Kit, OBC, DS and Util IQ (includes items 28 through 30) ..... | 1   |
| 28   | 103282601 | Wire Assembly Black #10 .....                                 | 1   |
| 29   | N/A       | Instr Obc Ds Pre 01-28-2007 .....                             | 1   |
| 30   | N/A       | Asm, Obc, Iq, V3.0 .....                                      | 1   |
| 31   | 8639      | Tie Wrap, 11" Nylon .....                                     | 1   |
| 32   | 8990      | Tie Wrap, 8" Nylon .....                                      | 1   |
|      |           | **** Special order item available upon request.               |     |

12

E



000244-005

## FORWARD/REVERSE SWITCH, TOW/RUN SWITCH

| ITEM | PART NO.  | DESCRIPTION                                   | QTY |
|------|-----------|-----------------------------------------------|-----|
|      |           | <b>1 2 3 4</b>                                |     |
| 1    | 101856002 | Switch, Rocker, Single-Pole .....             | 1   |
| 2    | 101908101 | Switch Assembly, Tow/Run .....                | 1   |
| 3    | 101908401 | Boot, Switch .....                            | 1   |
| 4    | 101922501 | Bracket, Tow/Run Switch Mounting .....        | 1   |
| 5    | 102296920 | Screw, M6 Torx Btn Hd Sems .....              | 2   |
| 6    | 102508401 | Housing, FNR Electric .....                   | 1   |
| 7    | 103262701 | Bezel Adapter Fnr .....                       | 1   |
| 8    | 332       | Washer, 1/4 Type A Narrow Flat .....          | 2   |
| 9    | 8233      | Locknut, 1/4-20 Nylon Insert .....            | 2   |
| 10   | 8248      | Screw, 1/4-20 X 0.75 Truss-Head Machine ..... | 2   |
| 11   | 8990      | Tie Wrap, 8" Nylon .....                      | 1   |

12

E

12

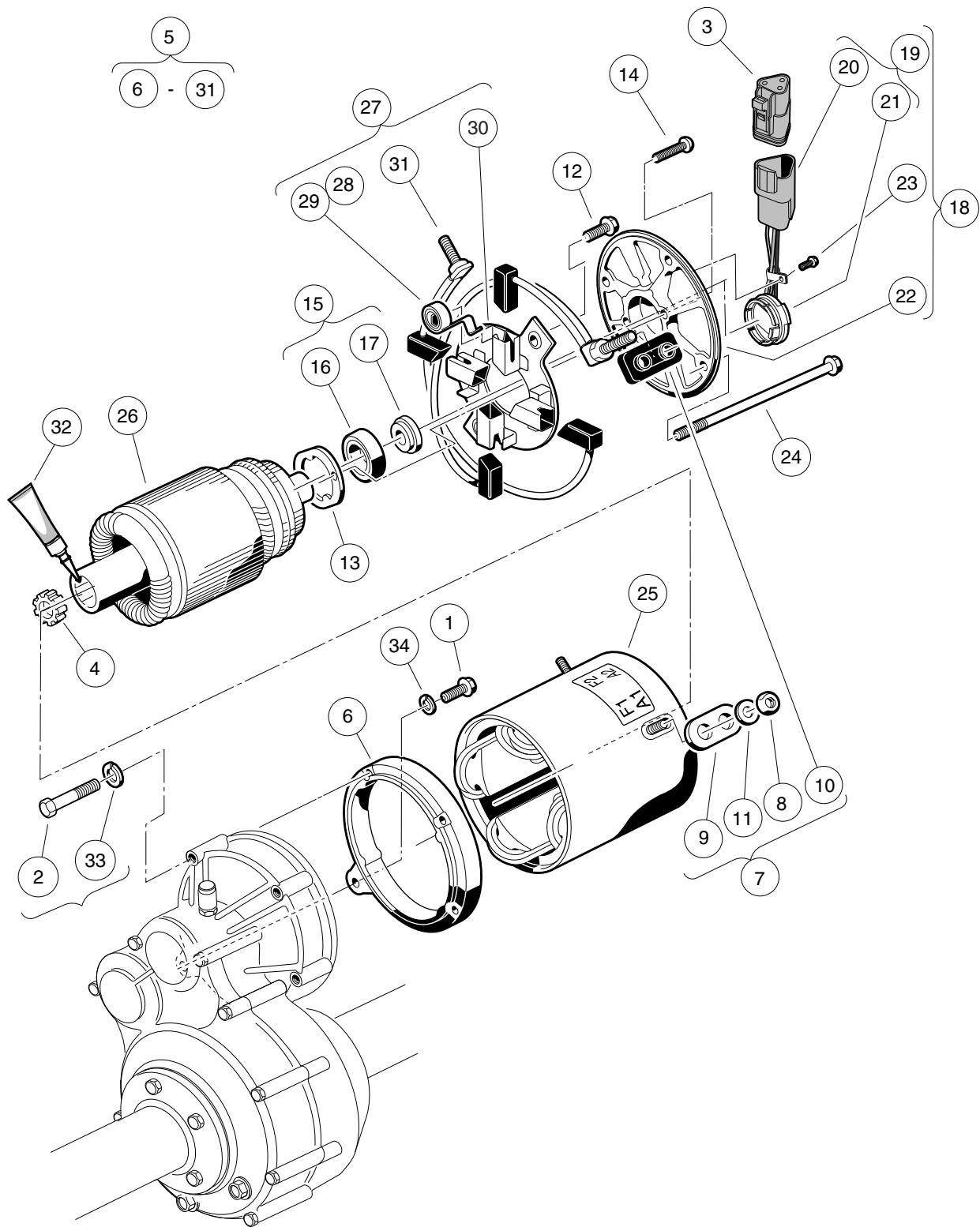
*E*

# ELECTRIC MOTOR

---

13

*E*



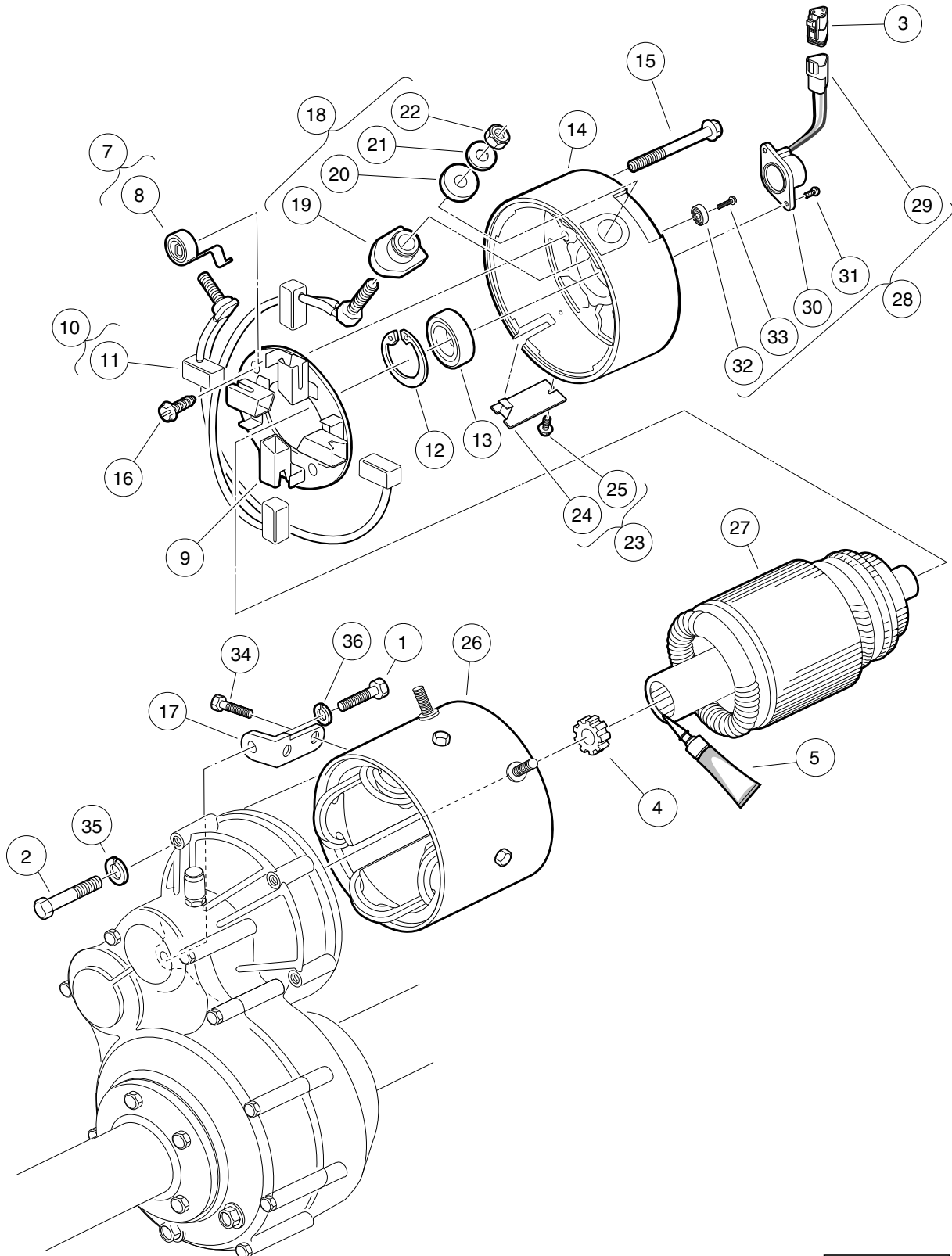
000349-002

# MOTOR (MODEL 5BC59JBS6390) – ELECTRIC VEHICLE

| ITEM                                                                                                         | PART NO.  | DESCRIPTION                                                             | QTY |
|--------------------------------------------------------------------------------------------------------------|-----------|-------------------------------------------------------------------------|-----|
|                                                                                                              |           | <b>1 2 3 4</b>                                                          |     |
| 1                                                                                                            | 1010934   | Screw, 5/16-18 X 1.00 Hex Cap .....                                     | 1   |
| 2                                                                                                            | 1014201   | Screw, 1/4-20 X 2.25 Hex Cap .....                                      | 3   |
| 3                                                                                                            | 101920101 | Kit, 3-Pin Wedge Lock .....                                             | 1   |
| 4                                                                                                            | 102235201 | Bumper, Drive Unit .....                                                | 1   |
| 5                                                                                                            | N/A       | Motor, 48-Volt Non-Skew IQ * (includes items 6 through 27) .....        | 1   |
| 6                                                                                                            | 1017944   | End Shield .....                                                        | 1   |
| 7                                                                                                            | 1017947   | Hardware Package (includes items 8 through 11) .....                    | 1   |
| 8                                                                                                            | 1011280   | Locknut, 5/16-18 .....                                                  | 4   |
| 9                                                                                                            | N/A       | Insulator Bushing .....                                                 | 2   |
| 10                                                                                                           | N/A       | Insulated Bushing .....                                                 | 2   |
| 11                                                                                                           | 1241      | Washer, 5/16 Type A Flat .....                                          | 4   |
| 12                                                                                                           | 1017949   | Screw, #6-32 X 0.480 Hex-Head .....                                     | 2   |
| 13                                                                                                           | 1017950   | Bearing Retainer .....                                                  | 1   |
| 14                                                                                                           | 1017953   | Screw, Bearing Retainer .....                                           | 2   |
| 15                                                                                                           | 102265701 | Kit, Bearing and Magnet (includes items 16 and 17) .....                | 1   |
| 16                                                                                                           | 1011290   | Ball Bearing .....                                                      | 1   |
| 17                                                                                                           | 102265801 | Magnet .....                                                            | 1   |
| 18                                                                                                           | 102265901 | Motor End Shield Asm (includes items 19 through 23) .....               | 1   |
| 19                                                                                                           | 102265601 | Speed Sensor Assembly (includes items 20 and 21) .....                  | 1   |
| 20                                                                                                           | 101942301 | Kit, 3-Pin Wedge Lock .....                                             | 1   |
| 21                                                                                                           | N/A       | Sensor, Speed, without Connector .....                                  | 1   |
| 22                                                                                                           | 102266001 | End Shield, Motor .....                                                 | 1   |
| 23                                                                                                           | 102267001 | Screw, #8-32 X 0.375 Hex-Head .....                                     | 1   |
| 24                                                                                                           | 102266101 | Screw, #10 - 32 X 8.250 .....                                           | 4   |
| 25                                                                                                           | 103325701 | Stator Shell and Winding .....                                          | 1   |
| 26                                                                                                           | 103325801 | Non Skew Armature .....                                                 | 1   |
| 27                                                                                                           | 103337601 | Brush Assembly, IQ Motor, Non-Skew (includes items 28 through 31) ..... | 1   |
| 28                                                                                                           | 1011411   | Kit, Brush Spring (ge Motor) (includes item 29) .....                   | 1   |
| 29                                                                                                           | N/A       | Brush Spring .....                                                      | 4   |
| 30                                                                                                           | 103325501 | Brush Rigging, Non-Skew Motor .....                                     | 1   |
| 31                                                                                                           | 103325601 | Brush Set, Non-Skew .....                                               | 1   |
| 32                                                                                                           | 102243403 | Lubricant, Moly-Teflon (Single-Use Tube) .....                          | 1   |
| 33                                                                                                           | 451       | Lockwasher, 1/4 Split .....                                             | 3   |
| 34                                                                                                           | 7174      | Lockwasher, 5/16 Split .....                                            | 1   |
| * Note: The model 5BC59JBS6390 motor has been discontinued. To replace the motor, use motor model EJ8-4001A. |           |                                                                         |     |

13

E



000185-001



# MOTOR (MODEL EJ4-4001) – ELECTRIC VEHICLE

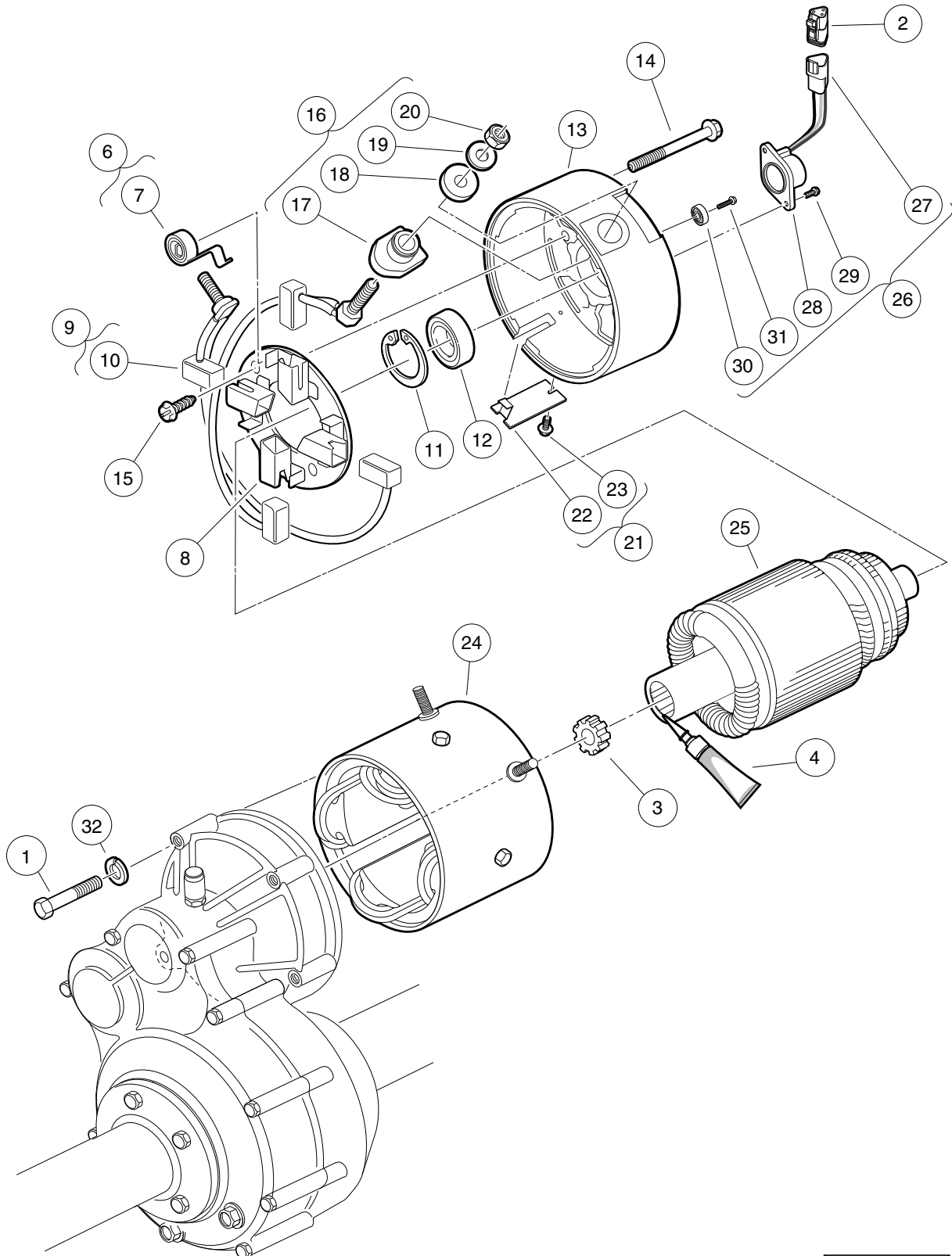
13

E

| ITEM | PART NO.  | DESCRIPTION                                                                                              | QTY |
|------|-----------|----------------------------------------------------------------------------------------------------------|-----|
|      |           | <b>1 2 3 4</b>                                                                                           |     |
| 1    | 1010934   | Screw, 5/16-18 X 1.00 Hex Cap .....                                                                      | 1   |
| 2    | 1014201   | Screw, 1/4-20 X 2.25 Hex Cap .....                                                                       | 3   |
| 3    | 101920101 | Kit, 3-Pin Wedge Lock .....                                                                              | 1   |
| 4    | 102235201 | Bumper, Drive Unit .....                                                                                 | 1   |
| 5    | 102243403 | Lubricant, Moly-Teflon (Single-Use Tube) .....                                                           | 1   |
| 6    | N/A       | IQ Electric Motor, 48-VDC 3.3 hp * (includes items 7 through 34) .....                                   | 1   |
| 7    | 102186001 | Spring Kit, Motor Brush (includes item 8) .....                                                          | 1   |
| 8    | N/A       | Spring, Brush, S-g .....                                                                                 | 4   |
| 9    | 102186101 | Brush Box Assembly .....                                                                                 | 1   |
| 10   | 102186201 | Brush Kit, Motor (includes item 11) .....                                                                | 1   |
| 11   | N/A       | Assembly, Brush and Terminal .....                                                                       | 2   |
| 12   | 102186301 | Ring, 2.24" Internal Retaining .....                                                                     | 1   |
| 13   | 102186401 | Bearing, Ball .....                                                                                      | 1   |
| 14   | 102186701 | End Cap, Motor .....                                                                                     | 1   |
| 15   | N/A       | Screw, 1/4-20 X 2.25 Hex-Head Washer .....                                                               | 2   |
| 16   | 102186901 | Screw, #8-32 X .5 Hex-Head .....                                                                         | 2   |
| 17   | 102187001 | L-Bracket, Motor .....                                                                                   | 1   |
| 18   | 102187101 | Hardware Kit, Motor Terminal (includes items 19 through 22) .....                                        | 2   |
| 19   | N/A       | Bushing, Nylon .....                                                                                     | 2   |
| 20   | N/A       | Washer, Nylon Flat .....                                                                                 | 2   |
| 21   | N/A       | Washer, Flat, 5/16 Steel .....                                                                           | 2   |
| 22   | N/A       | Nut, Brass Hex, 5/16 - 18 .....                                                                          | 2   |
| 23   | N/A       | Plate Kit, Motor Cover (includes items 24 and 25) .....                                                  | 1   |
| 24   | N/A       | Assembly, Cover Plate .....                                                                              | 1   |
| 25   | N/A       | Screw, #8-32 x 0.375, Taptite Thread .....                                                               | 1   |
| 26   | 102704701 | Frame and Field Assembly .....                                                                           | 1   |
| 27   | 102704801 | Armature Assembly .....                                                                                  | 1   |
| 28   | 102704901 | Kit, Speed Sensor (includes items 29 through 33) .....                                                   | 1   |
| 29   | 101942301 | Kit, 3-Pin Wedge Lock .....                                                                              | 1   |
| 30   | N/A       | Sensor, Motor Speed, ADC .....                                                                           | 1   |
| 31   | N/A       | Screw, #8-32, Taptite Thread .....                                                                       | 2   |
| 32   | N/A       | Magnet, ADC Motor .....                                                                                  | 1   |
| 33   | N/A       | Screw, 1/4-20 x 0.5 .....                                                                                | 1   |
| 34   | N/A       | Bolt, 1/4 - 20 x 0.73 Thread-Forming .....                                                               | 2   |
| 35   | 451       | Lockwasher, 1/4 Split .....                                                                              | 3   |
| 36   | 7174      | Lockwasher, 5/16 Split .....                                                                             | 1   |
|      |           | * Note: The model EJ4-4001 motor has been discontinued. To replace the motor, use motor model EJ8-4001A. |     |

13

E



000185-002

## MOTOR (MODEL EJ8-4001A) – ELECTRIC VEHICLE

| ITEM | PART NO.  | DESCRIPTION                                                          | QTY |
|------|-----------|----------------------------------------------------------------------|-----|
|      |           | <b>1 2 3 4</b>                                                       |     |
| 1    | 1014201   | Screw, 1/4-20 X 2.25 Hex Cap .....                                   | 3   |
| 2    | 101920101 | Kit, 3-Pin Wedge Lock .....                                          | 1   |
| 3    | 102235201 | Bumper, Drive Unit .....                                             | 1   |
| 4    | 102243403 | Lubricant, Moly-Teflon (Single-Use Tube) .....                       | 1   |
| 5    | 103572501 | IQ Electric Motor, 48-VDC 3.3 hp (includes items 6 through 26) ..... | 1   |
| 6    | 102186001 | Spring Kit, Motor Brush (includes item 7) .....                      | 1   |
| 7    | N/A       | Spring, Brush, S-g .....                                             | 4   |
| 8    | 102186101 | Brush Box Assembly .....                                             | 1   |
| 9    | 102186201 | Brush Kit, Motor (includes item 10) .....                            | 1   |
| 10   | N/A       | Assembly, Brush and Terminal .....                                   | 2   |
| 11   | 102186301 | Ring, 2.24" Internal Retaining .....                                 | 1   |
| 12   | 102186401 | Bearing, Ball .....                                                  | 1   |
| 13   | 102186701 | End Cap, Motor .....                                                 | 1   |
| 14   | N/A       | Screw, 1/4-20 X 2.25 Hex-Head Washer .....                           | 2   |
| 15   | 102186901 | Screw, #8-32 X .5 Hex-Head .....                                     | 2   |
| 16   | 102187101 | Hardware Kit, Motor Terminal (includes items 17 through 20) .....    | 2   |
| 17   | N/A       | Bushing, Nylon .....                                                 | 2   |
| 18   | N/A       | Washer, Nylon Flat .....                                             | 2   |
| 19   | N/A       | Washer, Flat, 5/16 Steel .....                                       | 2   |
| 20   | N/A       | Nut, Brass Hex, 5/16 - 18 .....                                      | 2   |
| 21   | N/A       | Plate Kit, Motor Cover (includes items 22 and 23) .....              | 1   |
| 22   | N/A       | Assembly, Cover Plate .....                                          | 1   |
| 23   | N/A       | Screw, #8-32 x 0.375, Taptite Thread .....                           | 1   |
| 24   | 102704701 | Frame and Field Assembly .....                                       | 1   |
| 25   | 102704801 | Armature Assembly .....                                              | 1   |
| 26   | 102704901 | Kit, Speed Sensor (includes items 27 through 31) .....               | 1   |
| 27   | 101942301 | Kit, 3-Pin Wedge Lock .....                                          | 1   |
| 28   | N/A       | Sensor, Motor Speed, ADC .....                                       | 1   |
| 29   | N/A       | Screw, #8-32, Taptite Thread .....                                   | 2   |
| 30   | N/A       | Magnet, ADC Motor .....                                              | 1   |
| 31   | N/A       | Screw, 1/4-20 x 0.5 .....                                            | 1   |
| 32   | 451       | Lockwasher, 1/4 Split .....                                          | 3   |

13

E

**13**

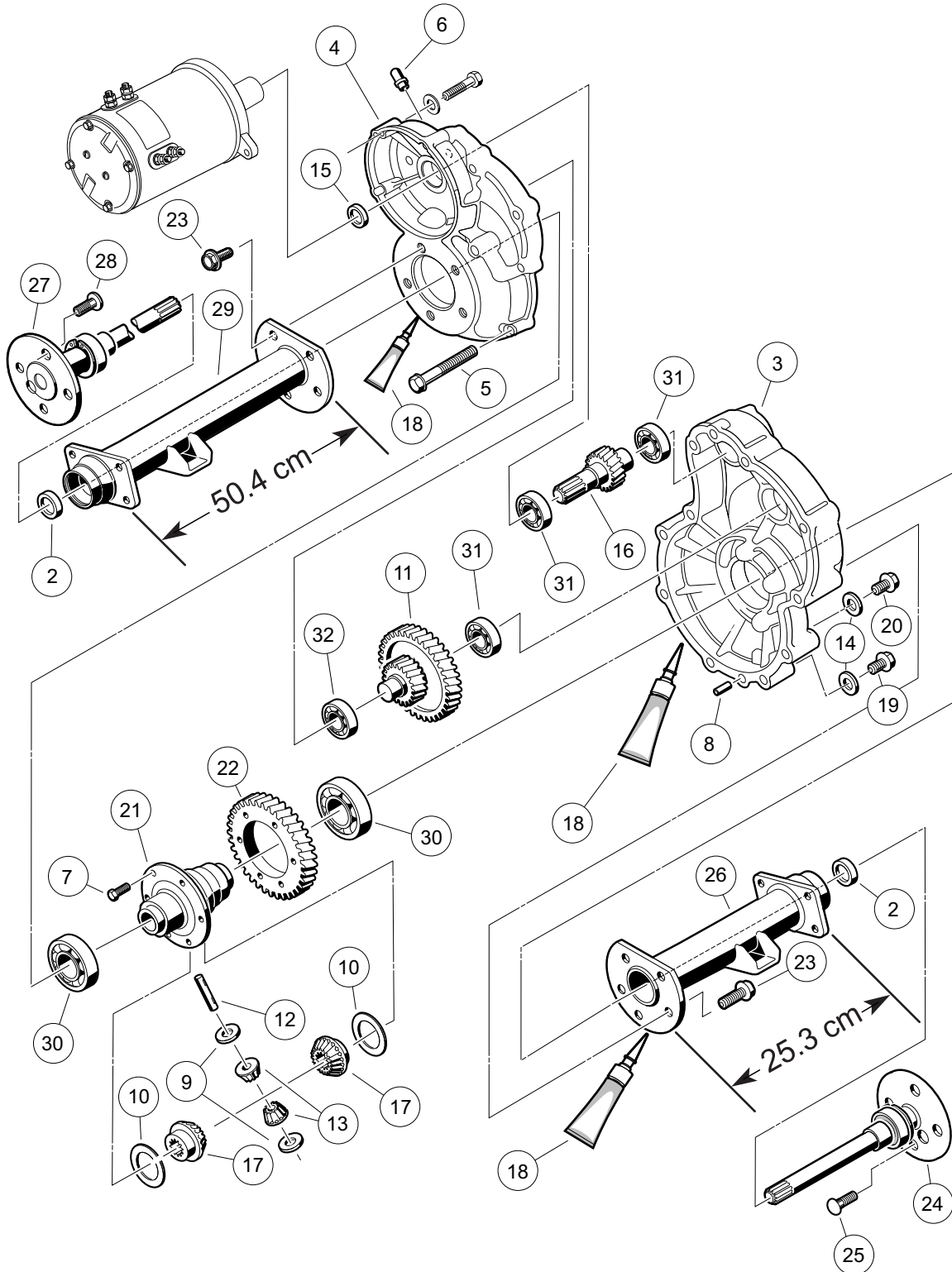
***E***

# TRANSAXLE – ELECTRIC VEHICLES

---

14

*E*



000223-002

# TRANSAXLE – ELECTRIC VEHICLES

| ITEM | PART NO.  | DESCRIPTION                                             | QTY |
|------|-----------|---------------------------------------------------------|-----|
|      |           | <b>1 2 3 4</b>                                          |     |
| 1    | 102771701 | Transaxle, Electric (includes items 2 through 32) ..... | 1   |
| 2    | 1013794   | Axle Shaft Oil Seal .....                               | 2   |
| 3    | 101895401 | Gear Case, Left-Hand .....                              | 1   |
| 4    | 101895501 | Gear Case, Passenger-Side .....                         | 1   |
| 5    | 101897001 | Screw, M8-1.25 X 60mm Hex-Head .....                    | 11  |
| 6    | 101897201 | Breather .....                                          | 1   |
| 7    | 101897401 | Screw, M10-1.25 X 25mm .....                            | 6   |
| 8    | 101897601 | Pin, 11mm OD X 8.5mm ID X 10mm .....                    | 2   |
| 9    | 101903601 | Washer, Thrust .....                                    | 2   |
| 10   | 101903701 | Washer, Thrust .....                                    | 2   |
| 11   | 101906901 | Intermediate Shaft Assembly .....                       | 1   |
| 12   | 101922101 | Pin, 15.99mm X 88.7mm Dowel .....                       | 1   |
| 13   | 101923001 | Gear, Differential Idler .....                          | 2   |
| 14   | 101923201 | Gasket .....                                            | 2   |
| 15   | 101923501 | Seal, Lip .....                                         | 1   |
| 16   | 101923701 | Shaft, Input .....                                      | 1   |
| 17   | 101923901 | Gear, Differential .....                                | 2   |
| 18   | 101928701 | Liquid Gasket (Transaxle case) .....                    | A/R |
| 19   | 101972101 | Plug, M14-1.5 X 12mm Magnetic .....                     | 1   |
| 20   | 101972201 | Plug, M14-1.5 X 12mm Hex .....                          | 1   |
| 21   | 102356601 | Housing, Differential, 6 Bolt .....                     | 1   |
| 22   | 102356801 | Gear, Differential Output, 6-Bolt .....                 | 1   |
| 23   | 102357001 | Screw, Flg Hd M10 X 1.5 X 30 .....                      | 10  |
| 24   | 102886301 | Axle Assembly, Driver-Side (includes item 25) .....     | 1   |
| 25   | 101922201 | Lug Stud .....                                          | 4   |
| 26   | 102886401 | Tube, Axle, Driver-Side .....                           | 1   |
| 27   | 102886501 | Axle Assembly, Passenger-Side (includes item 28) .....  | 1   |
| 28   | 101922201 | Lug Stud .....                                          | 4   |
| 29   | 102886601 | Tube, Axle, Passenger-Side .....                        | 1   |
| 30   | 7330      | Inner Axle Tube Bearing .....                           | 2   |
| 31   | 7335      | Bearing .....                                           | 3   |
| 32   | 7336      | Bearing .....                                           | 1   |

14

E

**14**

***E***



# BATTERY CHARGER

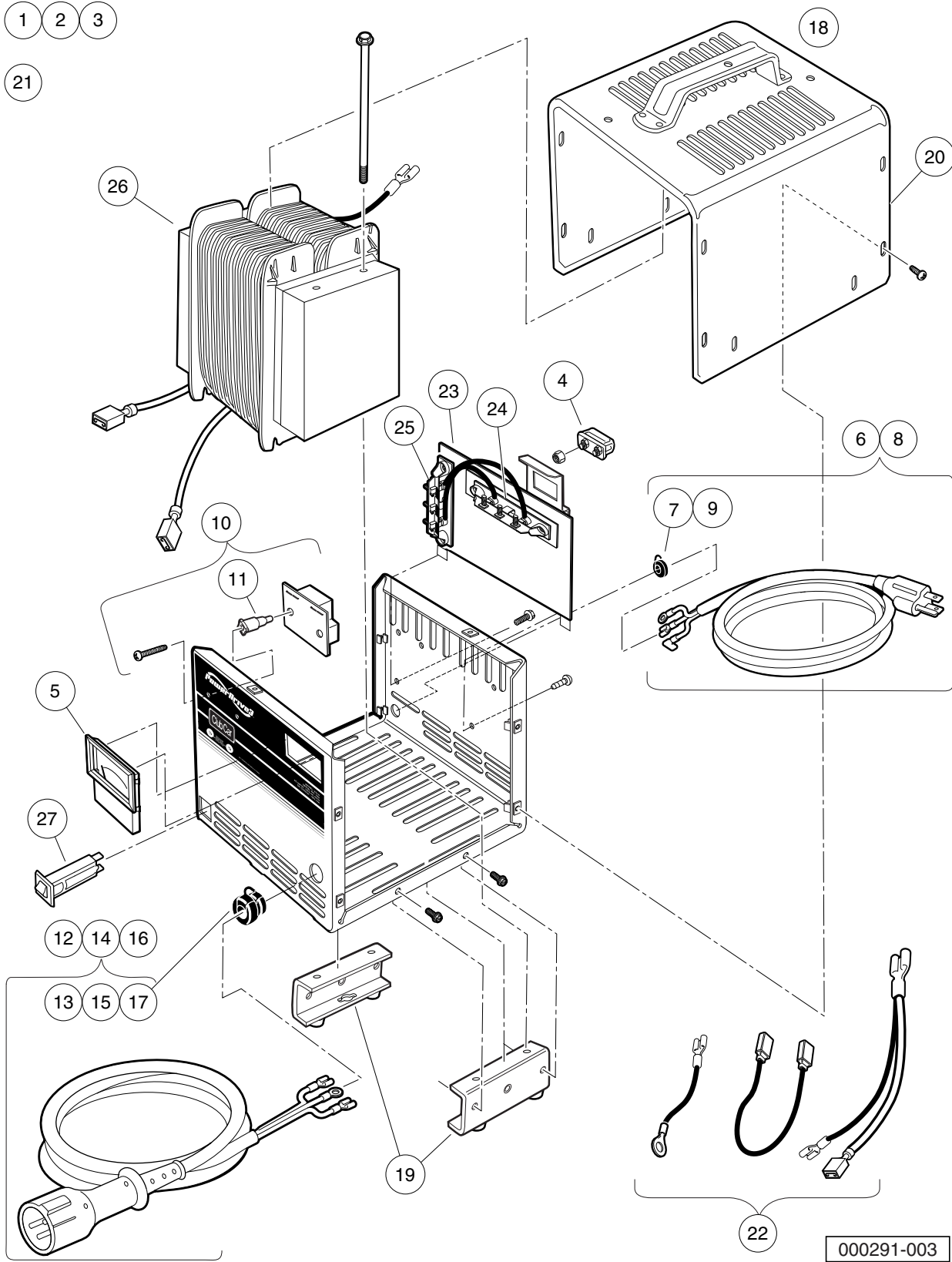
---

15

*E*

1 2 3

21



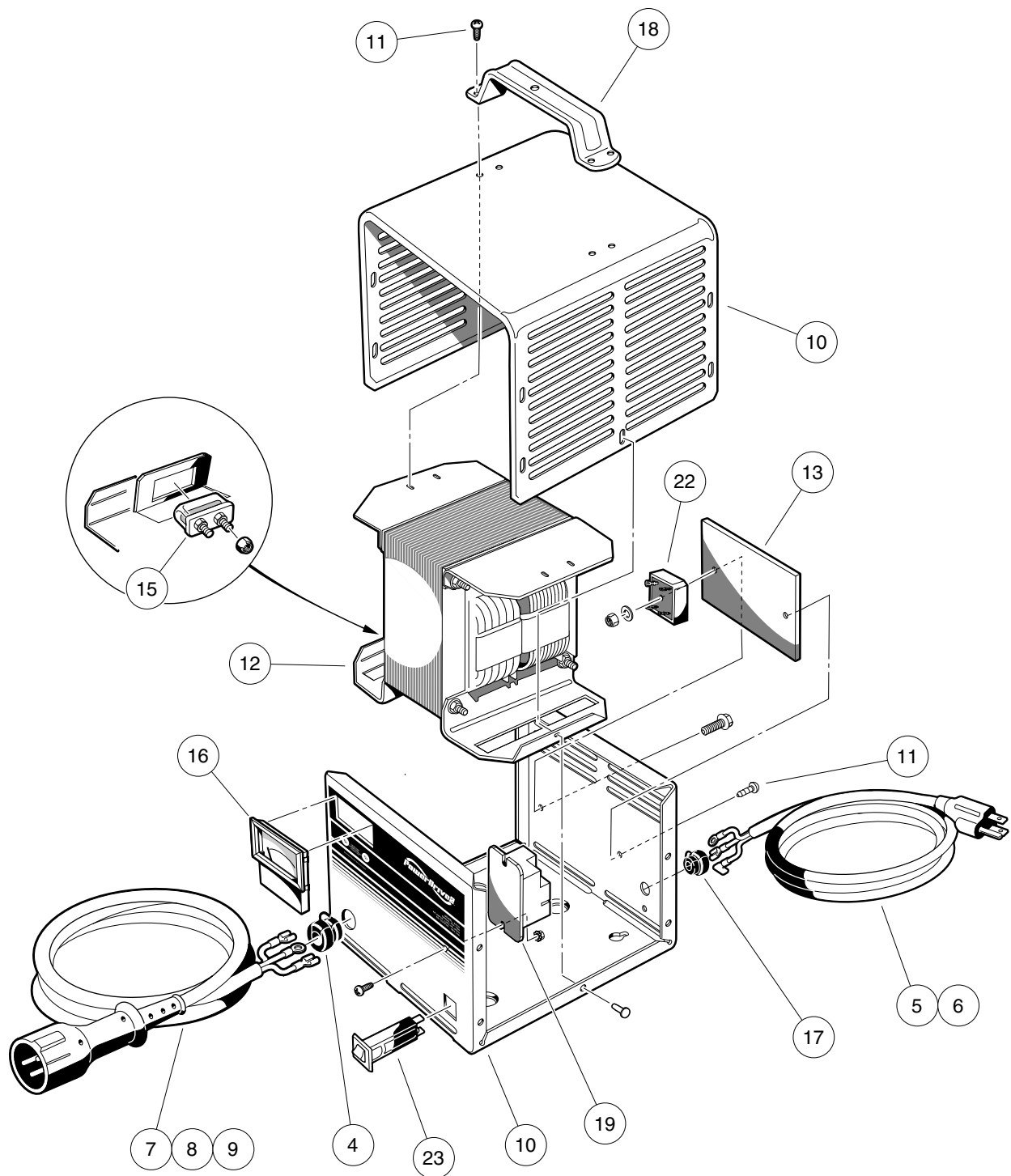
000291-003

# POWERDRIVE 3 BATTERY CHARGER, DOMESTIC

| ITEM | PART NO.  | DESCRIPTION                                                   | QTY |
|------|-----------|---------------------------------------------------------------|-----|
|      |           | 1 2 3 4                                                       |     |
| 1    | 103717001 | Chgr, Pd3 Stnry, 9Dc6'Ac' .....                               | 1   |
| 2    | 103717002 | Chgr, Pd3 Stnry, 12Dc9'Ac' .....                              | 1   |
| 3    | 103717003 | Chgr, Pd3 Stnry, 20Dc9'Ac'(includes items 4 through 27) ..... | 1   |
| 4    | 102273701 | PD2 Fuse Asm .....                                            | 1   |
| 5    | 102273801 | PD2 Ammeter .....                                             | 1   |
| 6    | 103428501 | Kit, PD3 Cordset - AC 80" (includes item 7) .....             | 1   |
| 7    | 102273901 | PD2 AC Cord Bushing .....                                     | 1   |
| 8    | 103428601 | Kit, PD3 Cordset, - AC 114" (includes item 9) .....           | 1   |
| 9    | 102273901 | PD2 AC Cord Bushing .....                                     | 1   |
| 10   | 103428701 | Asm, PD3 Board Relay (includes item 11) .....                 | 1   |
| 11   | 103429701 | PD3 Plastic Stand-Offs .....                                  | 2   |
| 12   | 103429001 | PD3 Cordset - DC 113" (includes item 13) .....                | 1   |
| 13   | 1012098   | Bushing, DC Cord .....                                        | 1   |
| 14   | 103429101 | PD3 Cordset - DC 154" (includes item 15) .....                | 1   |
| 15   | 1012098   | Bushing, DC Cord .....                                        | 1   |
| 16   | 103429201 | PD3 Cordset - DC 205" (includes item 17) .....                | 1   |
| 17   | 1012098   | Bushing, DC Cord .....                                        | 1   |
| 18   | 103429301 | Asm, PD3 Case (includes items 19 and 20) .....                | 1   |
| 19   | 103434001 | Asm, PD3 Legs .....                                           | 1   |
| 20   | 103439901 | PD3Case Top (Includes Handle) .....                           | 1   |
| 21   | 103429501 | Kit, PD3 Hardware .....                                       | 1   |
| 22   | 103429601 | Kit, PD3 Wires .....                                          | 1   |
| 23   | 103517401 | Kit Pd3 Button Diode (includes items 24 and 25) .....         | 1   |
| 24   | N/A       | Asm Diode Top .....                                           | 1   |
| 25   | N/A       | Asm Diode Side .....                                          | 1   |
| 26   | 103779601 | Transformer, Pd3, Al .....                                    | 1   |
| 27   | CCX8506   | Circuit Breaker, 15-Amp/120-Volt .....                        | 1   |

15

E



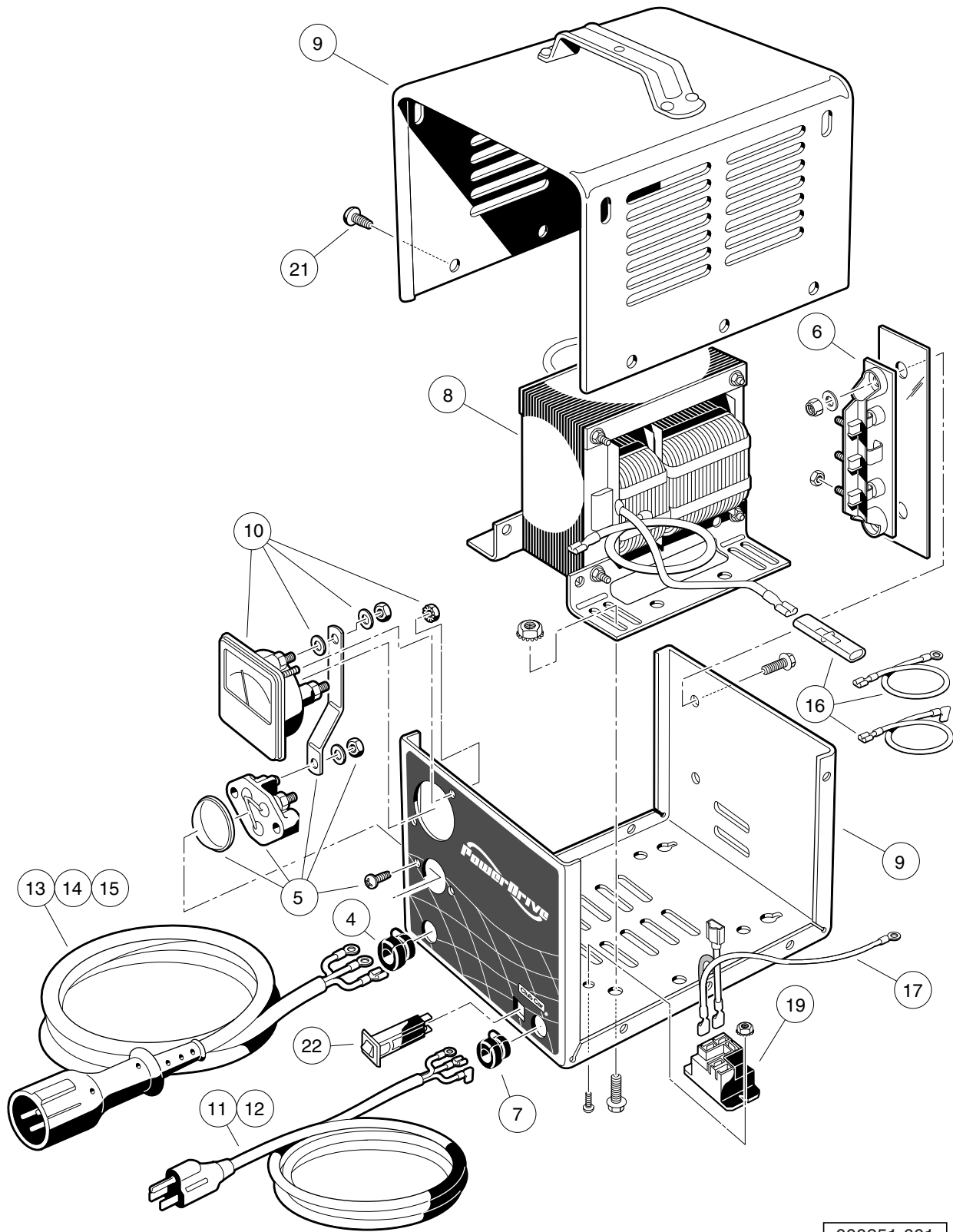
000291-001

# POWERDRIVE 2 BATTERY CHARGER (MODEL 22110), DOMESTIC

| ITEM                                                                                                                                                      | PART NO.  | DESCRIPTION                                                                      | QTY |
|-----------------------------------------------------------------------------------------------------------------------------------------------------------|-----------|----------------------------------------------------------------------------------|-----|
|                                                                                                                                                           |           | <b>1 2 3 4</b>                                                                   |     |
| 1                                                                                                                                                         | N/A       | 48-V/13-A PowerDrive 2 (9-ft. DC, 6-ft. AC) .....                                | 1   |
| 2                                                                                                                                                         | N/A       | 48-V/13-A PowerDrive 2 (12-ft. DC, 9-ft. AC) .....                               | 1   |
| 3                                                                                                                                                         | N/A       | 48-V/13-A PowerDrive 2 (20-ft. DC, 9-ft. AC) (includes items 4 through 23) ..... | 1   |
| 4                                                                                                                                                         | 1012098   | Bushing, DC Cord .....                                                           | 1   |
| 5                                                                                                                                                         | 101828801 | Cord, AC, 80-Inch (203 cm) .....                                                 | 1   |
| 6                                                                                                                                                         | 101828802 | Cord, AC, 108-Inch (274 cm) .....                                                | 1   |
| 7                                                                                                                                                         | 101828904 | PD2 DC Cordset, 113-inch .....                                                   | 1   |
| 8                                                                                                                                                         | 101828905 | PD2 DC Cordset, 154-inch .....                                                   | 1   |
| 9                                                                                                                                                         | 101828906 | Pd2 Dc Cordset 250 Inch .....                                                    | 1   |
| 10                                                                                                                                                        | 102273201 | PD2 Case (includes item 11) .....                                                | 1   |
| 11                                                                                                                                                        | 7577      | Screw, #10 X 0.50 Phillips Pan-Head .....                                        | 12  |
| 12                                                                                                                                                        | 102273301 | PD2 Transformer Asm .....                                                        | 1   |
| 13                                                                                                                                                        | 102273401 | PD2 Heatsink .....                                                               | 1   |
| 14                                                                                                                                                        | 102273601 | PD2 Wire Asm .....                                                               | 1   |
| 15                                                                                                                                                        | 102273701 | PD2 Fuse Asm .....                                                               | 1   |
| 16                                                                                                                                                        | 102273801 | PD2 Ammeter .....                                                                | 1   |
| 17                                                                                                                                                        | 102273901 | PD2 AC Cord Bushing .....                                                        | 1   |
| 18                                                                                                                                                        | 102274001 | PD2 Handle .....                                                                 | 1   |
| 19                                                                                                                                                        | 103414901 | Kit, Relay, 48v 30a W/instr (includes items 20 and 21) .....                     | 1   |
| 20                                                                                                                                                        | 103397901 | Relay, Spst No, 48v 30a, Pmt .....                                               | 1   |
| 21                                                                                                                                                        | N/A       | Kit, Relay, 48v 30a Instrns .....                                                | 1   |
| 22                                                                                                                                                        | 103517601 | Pd2 Rectifier Kit .....                                                          | 1   |
| 23                                                                                                                                                        | CCX8506   | Circuit Breaker, 15-Amp/120-Volt .....                                           | 1   |
| <p>Note: Item 16 not shown. Level 1 Battery Charger part numbers include one AC and one DC cord. They do not include all of the level 2 cords listed.</p> |           |                                                                                  |     |

**15**

**E**



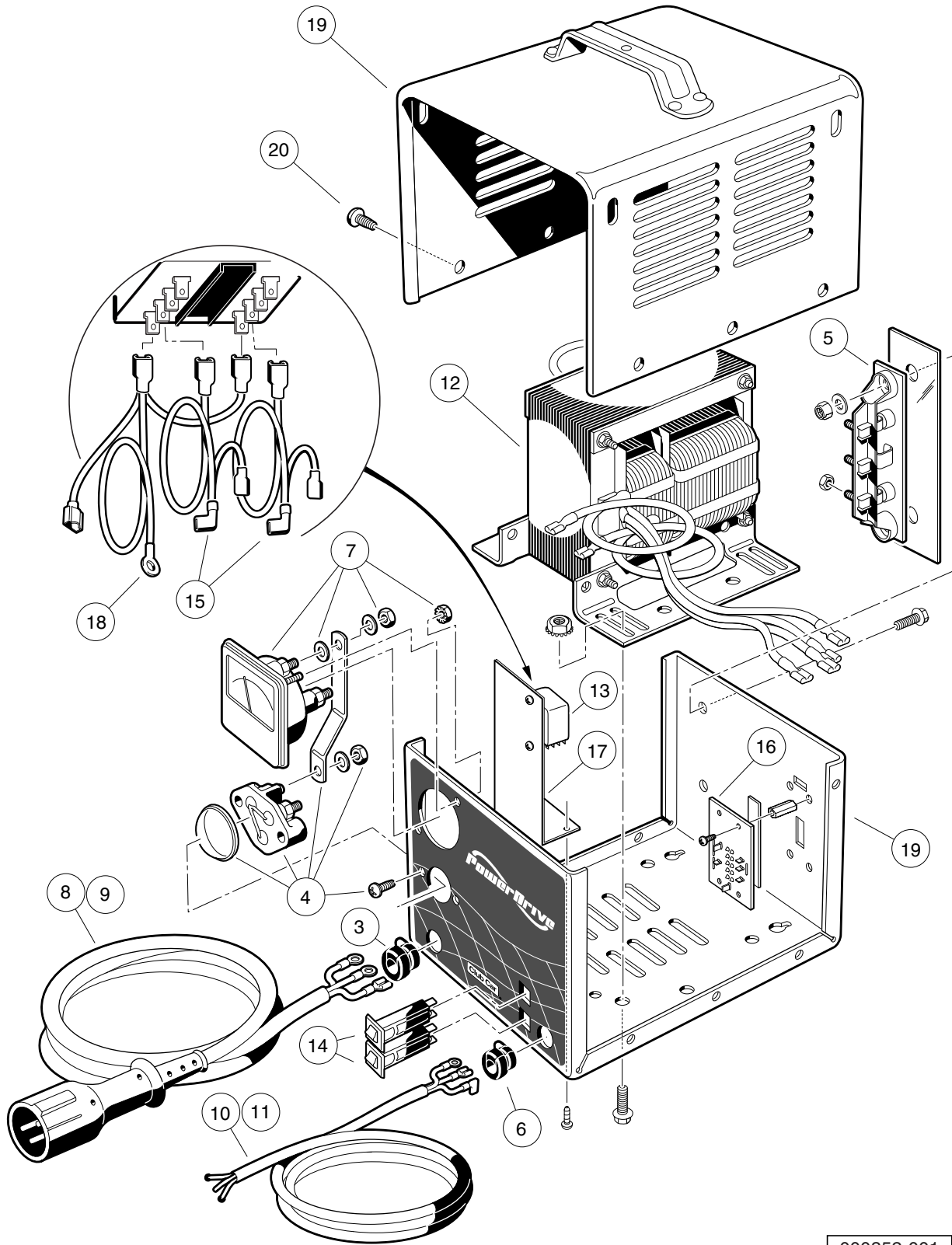
000351-001

# POWERDRIVE BATTERY CHARGER (MODEL 17930), DOMESTIC

| ITEM | PART NO.  | DESCRIPTION                                                                                                                        | QTY |
|------|-----------|------------------------------------------------------------------------------------------------------------------------------------|-----|
|      |           | <b>1 2 3 4</b>                                                                                                                     |     |
| 1    | 101802201 | 48V/17A PowerDrive (9-ft DC, 6-ft AC Cord) .....                                                                                   | 1   |
| 2    | 101802202 | 48V/17A PowerDrive (12-ft DC, 9-ft AC Cord) .....                                                                                  | 1   |
| 3    | 101802203 | 48V/17A PowerDrive (20-ft DC, 9-ft AC Cord) (includes items 4 through 22) .....                                                    | 1   |
| 4    | 1012098   | Bushing, DC Cord .....                                                                                                             | 1   |
| 5    | 1012101   | Fuse Assembly .....                                                                                                                | 1   |
| 6    | 1015914   | Rectifier with Heatsink Assembly .....                                                                                             | 1   |
| 7    | 1015917   | Bushing, AC Cord .....                                                                                                             | 1   |
| 8    | ****      | Transformer, Battery Charger .....                                                                                                 | 1   |
| 9    | 101828301 | Case Assembly .....                                                                                                                | 1   |
| 10   | 101828501 | Ammeter .....                                                                                                                      | 1   |
| 11   | 101828801 | Cord, AC, 80-Inch (203 cm) .....                                                                                                   | 1   |
| 12   | 101828802 | Cord, AC, 108-Inch (274 cm) .....                                                                                                  | 1   |
| 13   | 101828901 | Cord, DC, 113-Inch (287 cm) .....                                                                                                  | 1   |
| 14   | 101828902 | Cord, DC, 154-Inch (391 cm) .....                                                                                                  | 1   |
| 15   | 101828903 | Cord, DC, 250-Inch (635 cm) .....                                                                                                  | 1   |
| 16   | 101831101 | Wire Assembly Kit .....                                                                                                            | 1   |
| 17   | 101914401 | Assembly, Voltage Suppressor .....                                                                                                 | 1   |
| 18   | 103414901 | Kit, Relay, 48v 30a W/instr (includes items 19 and 20) .....                                                                       | 1   |
| 19   | 103397901 | Relay, Spst No, 48v 30a, Pmt .....                                                                                                 | 1   |
| 20   | N/A       | Kit, Relay, 48v 30a Instrns .....                                                                                                  | 1   |
| 21   | 7577      | Screw, #10 X 0.50 Phillips Pan-Head .....                                                                                          | 10  |
| 22   | CCX8506   | Circuit Breaker, 15-Amp/120-Volt .....                                                                                             | 1   |
|      |           | **** Special order item available upon request.                                                                                    |     |
|      |           | Note: Level 1 Battery Charger part numbers include one AC and one DC cord.<br>They do not include all of the level 2 cords listed. |     |

**15**

**E**



000352-001

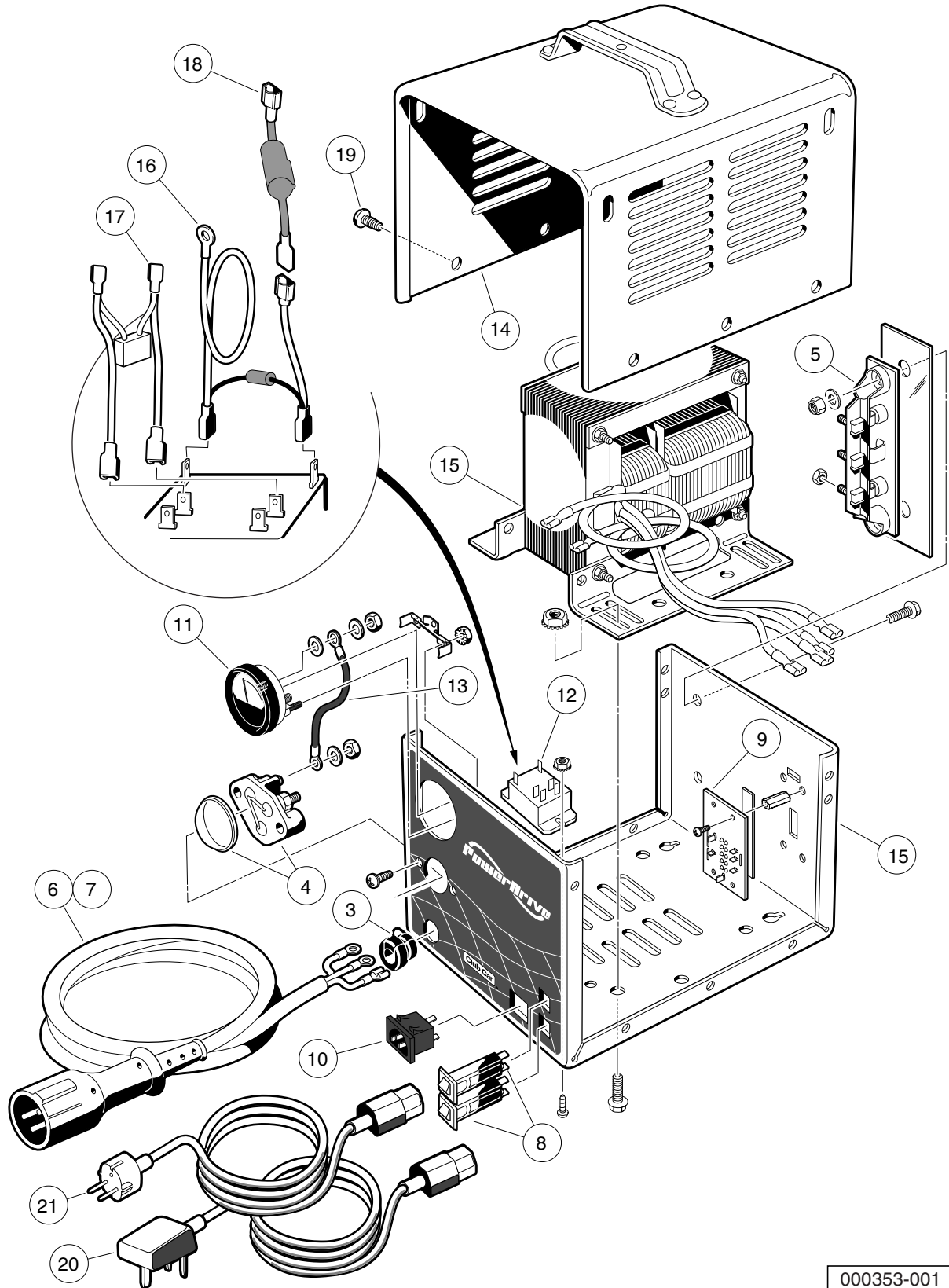


# POWERDRIVE BATTERY CHARGER (MODEL 18780), EXPORT

| ITEM                                                                                                                                                                                              | PART NO.  | DESCRIPTION                                                                         | QTY |
|---------------------------------------------------------------------------------------------------------------------------------------------------------------------------------------------------|-----------|-------------------------------------------------------------------------------------|-----|
|                                                                                                                                                                                                   |           | 1 2 3 4                                                                             |     |
| 1                                                                                                                                                                                                 | 101831503 | Battery Charger, 48-Volt DC (8.5-ft DC, 6-ft AC) .....                              | 1   |
| 2                                                                                                                                                                                                 | 101831504 | Battery Charger, 48-Volt DC (12-ft DC, 9-ft AC) (includes items 3 through 20) ..... | 1   |
| 3                                                                                                                                                                                                 | 1012098   | Bushing, DC Cord .....                                                              | 1   |
| 4                                                                                                                                                                                                 | 1012101   | Fuse Assembly .....                                                                 | 1   |
| 5                                                                                                                                                                                                 | 1015914   | Rectifier with Heatsink Assembly .....                                              | 1   |
| 6                                                                                                                                                                                                 | 1015917   | Bushing, AC Cord .....                                                              | 1   |
| 7                                                                                                                                                                                                 | 101828501 | Ammeter .....                                                                       | 1   |
| 8                                                                                                                                                                                                 | 101828901 | Cord, DC, 113-Inch (287 cm) .....                                                   | 1   |
| 9                                                                                                                                                                                                 | 101828902 | Cord, DC, 154-Inch (391 cm) .....                                                   | 1   |
| 10                                                                                                                                                                                                | 101831701 | Cord, AC, 80-Inch (203 cm), without Plug .....                                      | 1   |
| 11                                                                                                                                                                                                | ****      | Cord, AC, 118-Inch (203 cm), without Plug .....                                     | 1   |
| 12                                                                                                                                                                                                | 101838201 | Transformer, Export Battery Charger .....                                           | 1   |
| 13                                                                                                                                                                                                | 101838301 | Relay, Export Charger .....                                                         | 1   |
| 14                                                                                                                                                                                                | 101838401 | Circuit Breaker .....                                                               | 2   |
| 15                                                                                                                                                                                                | 101838501 | Kit, Wire Assembly .....                                                            | 1   |
| 16                                                                                                                                                                                                | 101838601 | Four-Position Switch .....                                                          | 1   |
| 17                                                                                                                                                                                                | ****      | Mounting Bracket, Relay .....                                                       | 1   |
| 18                                                                                                                                                                                                | 101914401 | Assembly, Voltage Suppressor .....                                                  | 1   |
| 19                                                                                                                                                                                                | N/A       | Case, Charger .....                                                                 | 1   |
| 20                                                                                                                                                                                                | 7577      | Screw, #10 X 0.50 Phillips Pan-Head .....                                           | 10  |
| <p>**** Special order item available upon request.</p> <p>Note: Level 1 Battery Charger part numbers include one AC and one DC cord.<br/>They do not include all of the level 2 cords listed.</p> |           |                                                                                     |     |

15

E



000353-001

# POWERDRIVE BATTERY CHARGER (MODEL 20310), EUROPEAN

| ITEM | PART NO.  | DESCRIPTION                                                                                                                        | QTY |
|------|-----------|------------------------------------------------------------------------------------------------------------------------------------|-----|
|      |           | <b>1 2 3 4</b>                                                                                                                     |     |
| 1    | 101956201 | Battery Charger, 48-Volt w/ 4-Position Switch (8.5-ft DC) .....                                                                    | 1   |
| 2    | 101956202 | Battery Charger, 48-Volt w/ 4-Pos. Switch (12-ft DC) (includes items 3 through 19) .....                                           | 1   |
| 3    | 1012098   | Bushing, DC Cord .....                                                                                                             | 1   |
| 4    | 1012101   | Fuse Assembly .....                                                                                                                | 1   |
| 5    | 1015914   | Rectifier with Heatsink Assembly .....                                                                                             | 1   |
| 6    | 101828901 | Cord, DC, 113-Inch (287 cm) .....                                                                                                  | 1   |
| 7    | 101828902 | Cord, DC, 154-Inch (391 cm) .....                                                                                                  | 1   |
| 8    | 101838401 | Circuit Breaker .....                                                                                                              | 2   |
| 9    | 101838601 | Four-Position Switch .....                                                                                                         | 1   |
| 10   | 101973501 | Receptacle, AC Cord .....                                                                                                          | 1   |
| 11   | 101976601 | Ammeter with Mounting Bracket .....                                                                                                | 1   |
| 12   | 101987501 | Relay .....                                                                                                                        | 1   |
| 13   | N/A       | Wire, Jumper .....                                                                                                                 | 1   |
| 14   | N/A       | Case, Charger .....                                                                                                                | 1   |
| 15   | ****      | Transformer, European Battery Charger .....                                                                                        | 1   |
| 16   | ****      | Suppressor, AC Voltage .....                                                                                                       | 1   |
| 17   | ****      | Assembly, Wire .....                                                                                                               | 1   |
| 18   | ****      | Limiter, Current .....                                                                                                             | 1   |
| 19   | 7577      | Screw, #10 X 0.50 Phillips Pan-Head .....                                                                                          | 10  |
| 20   | 101958201 | Cord, UK, AC, Battery Charger .....                                                                                                | 1   |
| 21   | 101958301 | Cord, European AC, Battery Charger .....                                                                                           | 1   |
|      |           | **** Special order item available upon request.                                                                                    |     |
|      |           | Note: Level 1 Battery Charger part numbers include one AC and one DC cord.<br>They do not include all of the level 2 cords listed. |     |

**15**

**E**

**15**

***E***

# MAINTENANCE AND SERVICE TOOLS

---

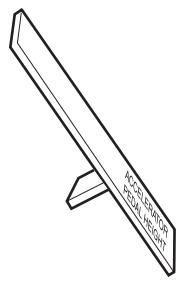
16

G

E

D

**16**  
**G**  
**E**  
**D**



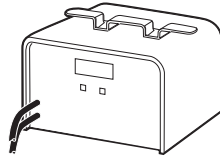
1



2



3



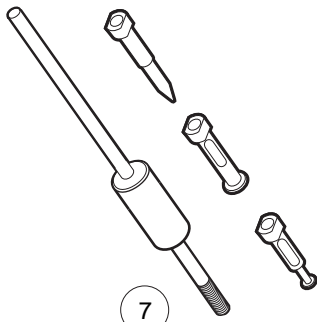
4



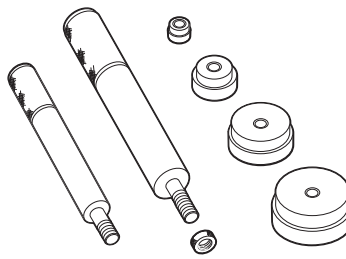
5



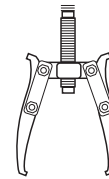
6



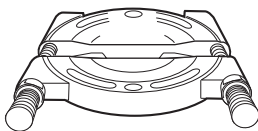
7



8



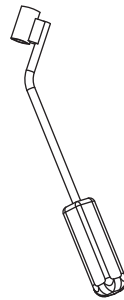
9



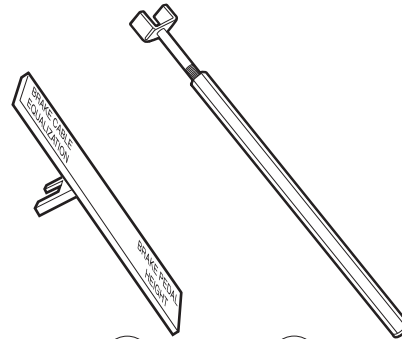
10



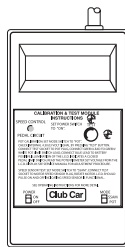
11



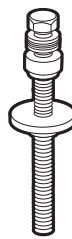
12



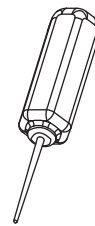
14 15  
13



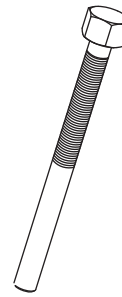
16



17



18



19

# MAINTENANCE AND SERVICE TOOLS

| ITEM | PART NO.  | DESCRIPTION                                                                                                                                                                                                                                                                                                                             | QTY<br>DIESEL | QTY<br>GAS | QTY<br>ELEC |
|------|-----------|-----------------------------------------------------------------------------------------------------------------------------------------------------------------------------------------------------------------------------------------------------------------------------------------------------------------------------------------|---------------|------------|-------------|
|      |           | <p style="text-align: center;">1 2 3 4</p> <p>The following tool list includes all tools available from Club Car for maintenance and service procedures for gasoline, electric, and/or diesel vehicles, both past and present models. Be sure to carefully examine the tool list for applicability to your vehicle before ordering.</p> |               |            |             |
| 1    | 101871001 | Accelerator Pedal Adjustment Tool .....                                                                                                                                                                                                                                                                                                 |               | 1          | 1           |
| 2    | 101813202 | Adhesive, Guide Ring, 3-Gram Tube .....                                                                                                                                                                                                                                                                                                 |               |            | 1           |
| 3    | 101641202 | Arbor .....                                                                                                                                                                                                                                                                                                                             |               | 1          |             |
| 4    | 101831901 | Battery Discharge Machine, 36/48 Volt .....                                                                                                                                                                                                                                                                                             |               |            | 1           |
| 5    | 1014305   | Battery Terminal Protector Spray .....                                                                                                                                                                                                                                                                                                  | 1             | 1          | 1           |
| 6    | 1011767   | Battery Thermometer .....                                                                                                                                                                                                                                                                                                               | 1             | 1          | 1           |
| 7    | 1016417   | Bearing and Oil Seal Remover Assembly .....                                                                                                                                                                                                                                                                                             | 1             | 1          | 1           |
| 8    | 1016416   | Bearing Driver Set .....                                                                                                                                                                                                                                                                                                                | 1             | 1          | 1           |
| 9    | 1012811   | Bearing Puller .....                                                                                                                                                                                                                                                                                                                    | 1             | 1          | 1           |
| 10   | 1012812   | Bearing Puller Wedge Attachment .....                                                                                                                                                                                                                                                                                                   | 1             | 1          | 1           |
| 11   | 1013582   | Brake Adjustment Tool (used only on vehicles with manually adjusted mechanical brakes) .....                                                                                                                                                                                                                                            |               | 1          | 1           |
| 12   | 102555501 | Brake Cable Release Tool .....                                                                                                                                                                                                                                                                                                          | 1             | 1          | 1           |
| 13   | 102249901 | Brake Pedal Adjustment Tool Kit (used for the Carryall Electric Industrial Truck only) (includes items 14 and 15).....                                                                                                                                                                                                                  |               |            | 1           |
| 14   | ****      | Brake Pedal Adjustment Tool .....                                                                                                                                                                                                                                                                                                       |               |            | 1           |
| 15   | ****      | Brake Pedal Tension Tool .....                                                                                                                                                                                                                                                                                                          |               |            | 1           |
| 16   | 101887101 | Calibration Test Module .....                                                                                                                                                                                                                                                                                                           |               |            | 1           |
| 17   | 101808401 | Cam Installation Tool .....                                                                                                                                                                                                                                                                                                             |               | 1          |             |
| 18   | 102562401 | Charger Bezel Tool .....                                                                                                                                                                                                                                                                                                                |               |            | 1           |
| 19   | 102686101 | Clutch Removal Tool (for 4x4 vehicles) .....                                                                                                                                                                                                                                                                                            | 1             | 1          |             |
|      |           | <p style="text-align: center;">Please refer to the maintenance and service manual for proper tool application.</p> <p style="text-align: center;">****<br/>Special order item available upon request</p>                                                                                                                                |               |            |             |

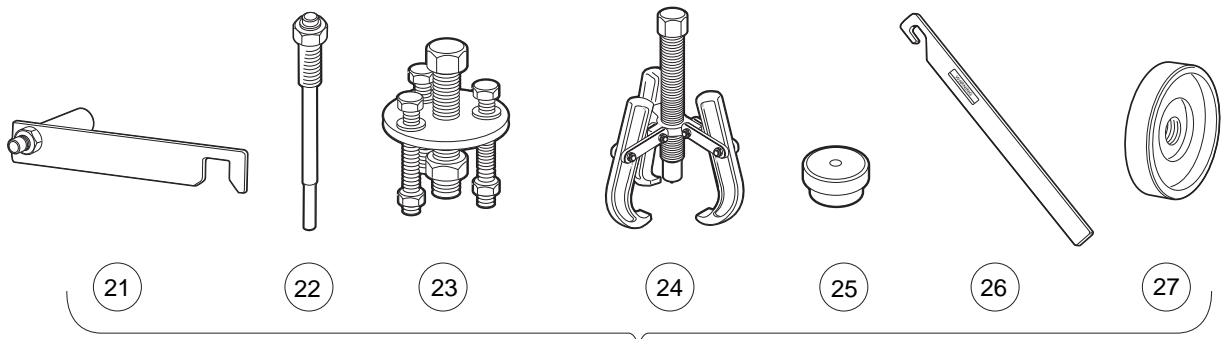
16

G

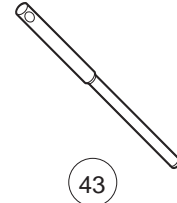
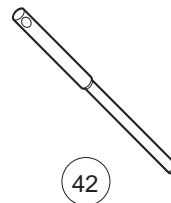
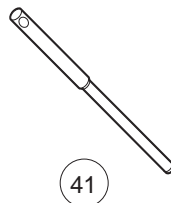
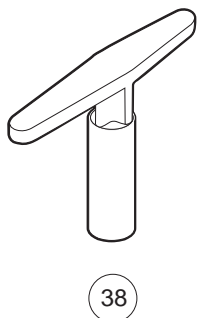
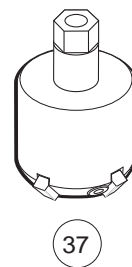
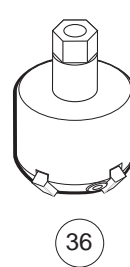
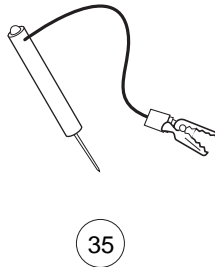
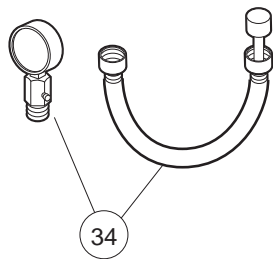
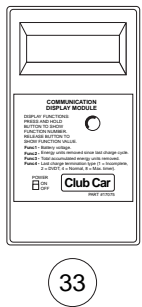
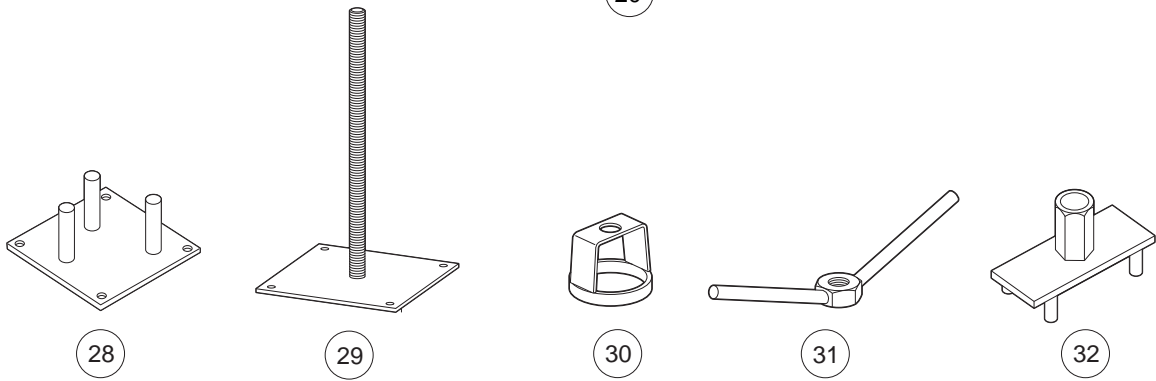
E

D

**16**  
**G**  
**E**  
**D**



20

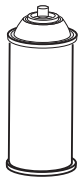




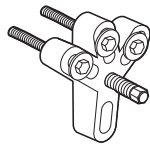
## MAINTENANCE AND SERVICE TOOLS, CONTINUED

| ITEM | PART NO.  | DESCRIPTION                                                                                         | QTY<br>DIESEL | QTY<br>GAS | QTY<br>ELEC | <b>16</b> |  |
|------|-----------|-----------------------------------------------------------------------------------------------------|---------------|------------|-------------|-----------|--|
|      |           | <b>1 2 3 4</b>                                                                                      |               |            |             | <b>G</b>  |  |
| 20   | 1014510   | Clutch Tool Kit (includes items 21 - 27) .....                                                      |               | 1          |             | <b>E</b>  |  |
| 21   | 1014498   | Clutch Alignment Tool (for pre-unitized transaxle<br>vehicles built prior to 1997 model year) ..... |               | 1          |             | <b>D</b>  |  |
| 22   | 1014496   | Drive Clutch Puller (for Kawasaki engines only) .....                                               |               | 1          |             |           |  |
| 23   | 1014497   | Drive Clutch Hub Puller (for Kawasaki engines only) .....                                           |               | 1          |             |           |  |
| 24   | 1014508   | Driven Clutch Cam Puller (for Kawasaki engines only) .....                                          |               | 1          |             |           |  |
| 25   | 1014507   | Driven Clutch Puller Plug (for Kawasaki engines only) .....                                         |               | 1          |             |           |  |
| 26   | 1015524   | Drive Clutch Holder Tool Assembly (for Kawasaki engines only) .....                                 |               | 1          |             |           |  |
| 27   | 101809101 | Press Weldment (for Kawasaki engines only) .....                                                    |               | 1          |             |           |  |
| 28   | 102601501 | Drive ClutchFixed Sheave Tool<br>(for 4x4 vehicles) .....                                           | 1             | 1          |             |           |  |
| 29   | 102603501 | Driven Clutch Spring Compression Base (for use with items 30<br>and 31) (for 4x4 vehicles) .....    | 1             | 1          |             |           |  |
| 30   | 102605201 | Driven Clutch Spring Compression Collar (for use with items 29<br>and 31) (for 4x4 vehicles) .....  | 1             | 1          |             |           |  |
| 31   | 102606101 | Driven Clutch Spring Compression Nut (for use with items 29<br>and 30) (for 4x4 vehicles) .....     | 1             | 1          |             |           |  |
| 32   | 102607501 | Drive Clutch Spider Removal Tool<br>(for 4x4 vehicles) .....                                        | 1             | 1          |             |           |  |
| 33   | 101831801 | Communication Display Module .....                                                                  |               |            | 1           |           |  |
| 34   | 101641002 | Compression Gauge and Adapter .....                                                                 |               | 1          |             |           |  |
| 35   | 1011273   | Continuity Tester .....                                                                             |               | 1          | 1           |           |  |
| 36   | 102773801 | Cutter, Valve Seat, #122 .....                                                                      |               | 1          |             |           |  |
| 37   | 102773901 | Cutter, Valve Seat #115 .....                                                                       |               | 1          |             |           |  |
| 38   | 102774101 | Wrench, T, #505.....                                                                                |               | 1          |             |           |  |
| 39   | 102774101 | Adapter, T-Wrench.....                                                                              |               | 1          |             |           |  |
| 40   | 102675401 | Cutter, Valve Seat, 60 Degree (requires item 51)<br>(for Honda GX620 Gasoline Engines) .....        |               | 1          |             |           |  |
| 41   | 102774201 | Pilot, 6.6 MM .....                                                                                 |               | 1          |             |           |  |
| 42   | 102774301 | Pilot, 6.62 MM.....                                                                                 |               | 1          |             |           |  |
| 43   | 102774401 | Pilot, 6.65 MM.....                                                                                 |               | 1          |             |           |  |
|      |           | Please refer to the maintenance and service manual<br>for proper tool application.                  |               |            |             |           |  |

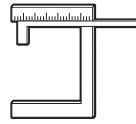
**16**  
**G**  
**E**  
**D**



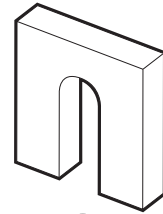
44



45



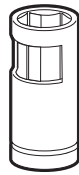
46



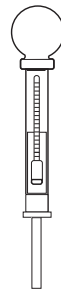
47



48



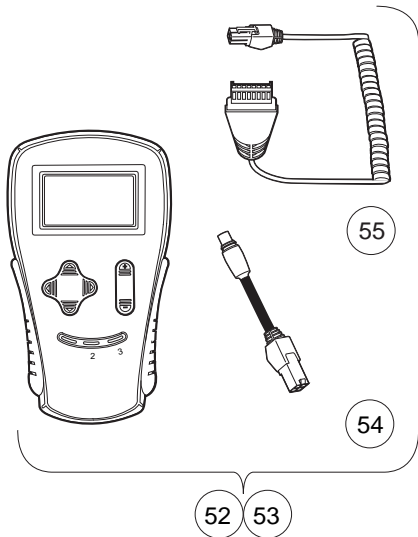
49



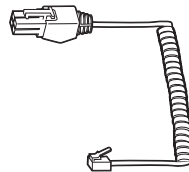
50



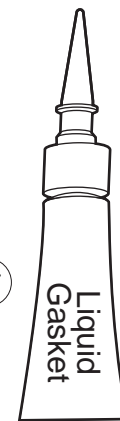
51



52 53



56



57



58



59 60



61

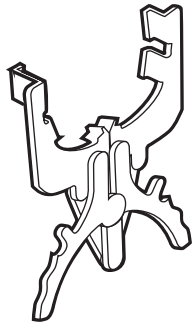
## MAINTENANCE AND SERVICE TOOLS, CONTINUED

| ITEM | PART NO.  | DESCRIPTION                                                                                            | QTY<br>DIESEL | QTY<br>GAS | QTY<br>ELEC | 16 |
|------|-----------|--------------------------------------------------------------------------------------------------------|---------------|------------|-------------|----|
|      |           | 1 2 3 4                                                                                                |               |            |             | G  |
| 44   | 1012151   | Dry Moly Lubricant .....                                                                               | 1             | 1          | 1           | E  |
| 45   | 1016627   | Flywheel Puller Kit (for Kawasaki Engines) .....                                                       |               | 1          |             |    |
| 46   | 102669901 | Gauge, Carburetor Float Level<br>(for Honda GX620 Gasoline Engines) .....                              |               | 1          |             |    |
| 47   | 1016418   | Gear Yoke .....                                                                                        | 1             | 1          | 1           | D  |
| 48   | 101933101 | Governor Shaft Installation Tool (for Kawasaki Engine Vehicles) .....                                  |               | 1          |             |    |
| 49   | 102169401 | Hydraulic Brake Adjuster (for Turf/CA 272/472, Pioneer/XRT 1200,<br>Bobcat 2100, HUV 4213) .....       |               |            | 1           |    |
| 50   | 1011478   | Hydrometer .....                                                                                       | 1             | 1          | 1           |    |
| 51   | 1013593   | Internal Retaining Ring Pliers .....                                                                   | 1             | 1          | 1           |    |
| 52   | 102248803 | IQ Display Module (IQDM) Kit (IQ System and IQ Plus vehicles) .....                                    |               |            | 1           |    |
|      |           | (includes items 54 and 55)                                                                             |               |            |             |    |
| 53   | 102248804 | IQ Display Module (IQDM-P) Kit (IQ System and IQ Plus vehicles) .....                                  |               |            | 1           |    |
|      |           | (includes items 54 and 55)                                                                             |               |            |             |    |
| 54   | 102251501 | Adaptor, Cable .....                                                                                   |               |            | 1           |    |
| 55   | 102241502 | IQDM Series 2 Cable .....                                                                              |               |            | 1           |    |
| 56   | 102241501 | IQDM Series 1 Cable (replacement) .....                                                                |               |            | 1           |    |
| 57   | 101928701 | Liquid Gasket (transaxle case) .....                                                                   | 1             | 1          | 1           |    |
| 58   | 102243402 | Moly-Teflon Lubricant (4-oz. (113-gram) tube) .....                                                    |               |            | 1           |    |
| 59   | 101997201 | Paint, Touch-Up – Beige* .....                                                                         |               | 1          | 1           |    |
| 59   | 101997207 | Paint, Touch-Up – Black* .....                                                                         |               | 1          | 1           |    |
| 59   | 101997212 | Paint, Touch-Up – Burgundy* .....                                                                      |               | 1          | 1           |    |
| 59   | 101997211 | Paint, Touch-Up – Classic Blue (Navy)* .....                                                           |               | 1          | 1           |    |
| 59   | 101997205 | Paint, Touch-Up – Dark Gray* .....                                                                     | 1             | 1          | 1           |    |
| 59   | 101997209 | Paint, Touch-Up – Dark Green* .....                                                                    | 1             | 1          | 1           |    |
| 59   | 101997204 | Paint, Touch-Up – Gray* .....                                                                          | 1             | 1          | 1           |    |
| 59   | 101997203 | Paint, Touch-Up – Red* .....                                                                           | 1             | 1          | 1           |    |
| 59   | 101997206 | Paint, Touch-Up – Royal Blue (Pacific Blue)* .....                                                     |               | 1          | 1           |    |
| 59   | 101997202 | Paint, Touch-Up – White* .....                                                                         | 1             | 1          | 1           |    |
| 60   | 102562301 | Paint, Precedent Underbody – Gray .....                                                                |               | 1          | 1           |    |
| 61   | 102587201 | Paint Pen, Touch-Up, Precedent Underbody – Black .....                                                 |               | 1          | 1           |    |
|      |           | Please refer to the maintenance and service manual<br>for proper tool application.                     |               |            |             |    |
|      |           | * Item 59 is not for use on Surlyn <sup>®</sup> body material, which is used<br>on Precedent vehicles. |               |            |             |    |

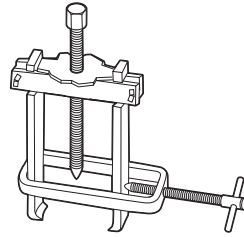
**16**  
**G**  
**E**  
**D**



62



63



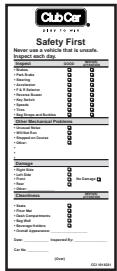
64



65



66



67



68



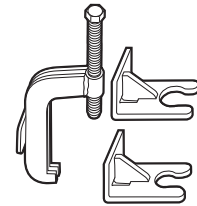
69



70



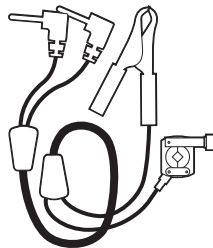
71



72



73



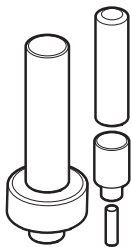
74



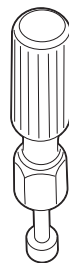
75



76



77



83



84



85



86

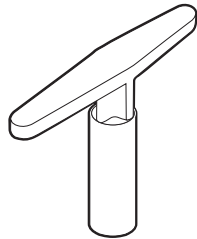
## MAINTENANCE AND SERVICE TOOLS, CONTINUED

| ITEM | PART NO.  | DESCRIPTION                                                                                                                         | QTY    | QTY | QTY  | 16 |
|------|-----------|-------------------------------------------------------------------------------------------------------------------------------------|--------|-----|------|----|
|      |           |                                                                                                                                     | DIESEL | GAS | ELEC |    |
|      |           | 1 2 3 4                                                                                                                             |        |     |      | G  |
| 62   | 1016414   | Piston Ring Compressor Kit (FE290, FE350 and FE400 engines) .....                                                                   |        | 1   |      | E  |
| 63   | 1016415   | Piston Ring Pliers (for Kawasaki Engines) .....                                                                                     |        | 1   |      | D  |
| 64   | 102668801 | Puller, Special Use (for Kubota D722 Diesel Engines) .....                                                                          | 1      |     |      |    |
| 65   | 1012549   | Retaining Ring Pliers, 45° External .....                                                                                           | 1      | 1   | 1    |    |
| 66   | 1012560   | Retaining Ring Pliers, 90° Internal .....                                                                                           | 1      | 1   | 1    |    |
| 67   | 101823101 | Safety First Card (50 per pack) .....                                                                                               | 1      | 1   | 1    |    |
| 68   | 1012809   | Seal Puller .....                                                                                                                   | 1      | 1   | 1    |    |
| 69   | 102330901 | Spanner Wrench (for coil over shock front suspension vehicles only) .....                                                           | 1      | 1   |      |    |
| 70   | 1014264   | Steering Column Bearing Press Tool .....                                                                                            |        | 1   | 1    |    |
| 71   | 1014259   | Steering Column Retaining Ring Tool .....                                                                                           |        | 1   | 1    |    |
| 72   | 102061201 | Steering Wheel Puller Tool .....                                                                                                    | 1      | 1   | 1    |    |
| 73   | AM10753   | Tachometer (includes gasoline engine pick up lead only) .....                                                                       | 1      | 1   |      |    |
| 74   | AM10771   | Tachometer Diesel Probe (for use with item 73) .....                                                                                | 1      |     |      |    |
| 75   | 1014162   | Transaxle Axle Seal Tool .....                                                                                                      |        | 1   |      |    |
| 76   | 1014161   | Transaxle Pinion Seal Tool .....                                                                                                    |        | 1   |      |    |
| 77   | 1014115   | Transmission Tool Kit .....                                                                                                         |        | 1   |      |    |
| 78   | 101611003 | Tune-Up Kit, All OHV (for FE290, FE350, FE400 only) (includes air filter, spark plug, oil filter, fuel filters) (not shown) .....   |        | 1   |      |    |
| 79   | AM11804   | Tune-Up Kit, Gx620 (for Honda Engines) (includes air filter, spark plug, oil filter, fuel filters) (not shown) .....                |        | 1   |      |    |
| 80   | AM11805   | Tune-Up Kit, D722 (for Kubota Engines) (includes air filter, oil filter, fuel filters, water separator filter) (not shown) .....    | 1      |     |      |    |
| 81   | AM1220301 | Tune-Up Kit, Precedent (for FE290/350 Engines) (includes air filter, spark plug, oil filter, fuel filters) (not shown) .....        |        | 1   |      |    |
| 82   | AM1232401 | Tune-Up Kit, FH680D (for Kawasaki V-Twin Engines) (includes oil filter, fuel filter, air filter, and spark plugs) (not shown) ..... |        | 1   |      |    |
| 83   | 1016413   | Valve Clearance Adjuster Screw Holder (for FE290 engines only) .....                                                                |        | 1   |      |    |
| 84   | 102674601 | Valve Guide Driver (for Honda GX620 Gasoline Engines) .....                                                                         |        | 1   |      |    |
| 85   | 101641201 | Valve Guide Reamer (FE290, FE350, and FE400 only) .....                                                                             |        | 1   |      |    |
| 86   | 102674401 | Valve Guide Reamer, 6.6 mm (for Honda GX620 Gasoline Engines) .....                                                                 |        | 1   |      |    |

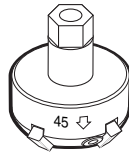
**16**  
**G**  
**E**  
**D**



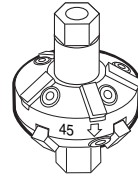
87



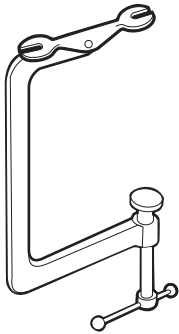
88



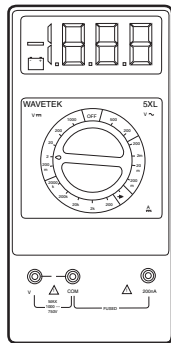
89



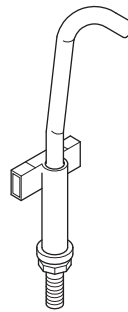
90



91



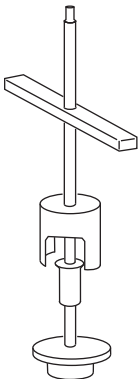
92



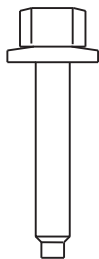
93



94



95



96

## MAINTENANCE AND SERVICE TOOLS, CONTINUED

| ITEM | PART NO.  | DESCRIPTION                                                                                                                    | QTY<br>DIESEL | QTY<br>GAS | QTY<br>ELEC | <b>16</b> |
|------|-----------|--------------------------------------------------------------------------------------------------------------------------------|---------------|------------|-------------|-----------|
|      |           | <b>1 2 3 4</b>                                                                                                                 |               |            |             | <b>G</b>  |
| 87   | 1016552   | Valve Seat Cutter Guide .....                                                                                                  |               | 1          |             | <b>E</b>  |
| 88   | 1016551   | Valve Seat Cutter T-Wrench .....                                                                                               |               | 1          |             | <b>D</b>  |
| 89   | 1016553   | Valve Seat Cutter, 45° (32 mm diameter) (for FE290 engines only) .....                                                         |               | 1          |             |           |
| 90   | 1016554   | Valve Seat Cutter, 45°/30° (35 mm diameter) .....                                                                              |               | 1          |             |           |
| 91   | 101641101 | Valve Spring Compressor .....                                                                                                  |               | 1          |             |           |
| 92   | 1011480   | Volt Ohm Meter .....                                                                                                           | 1             | 1          | 1           |           |
| 93   | 102570401 | Tool, Tensioning, Starter Generator (For Precedent vehicles) .....                                                             |               | 1          |             |           |
| 94   | 103601401 | Puller, Drive Clutch, XRT 950* .....                                                                                           |               | 1          |             |           |
| 95   | 103601701 | Tool, Disassembly, Driven Clutch, XRT 950 .....                                                                                |               | 1          |             |           |
| 96   | 103600501 | Screw, Driven Clutch Disassembly, M6, XRT 950 .....                                                                            |               | 1          |             |           |
|      |           | <p>*Note: The XRT 950 Drive Clutch Puller requires the use of Screw, Driven Clutch Disassembly, CCI Part Number 103600501.</p> |               |            |             |           |





# INDEX

## Part Number and Page

|         |                                                             |         |                                                  |           |                               |
|---------|-------------------------------------------------------------|---------|--------------------------------------------------|-----------|-------------------------------|
| AM10753 | 16-9                                                        | 8418    | 1-17                                             | 1011734   | 4-13                          |
| AM10771 | 16-9                                                        | 8450    | 10-3                                             | 1011767   | 16-3                          |
| AM10079 | 6-9                                                         | 8639    | 12-15                                            | 1011779   | 4-7                           |
| AM10080 | 11-5                                                        | 8717    | 4-9, 4-11, 6-7, 11-3, 11-9                       | 101187702 | 4-5                           |
| AM10081 | 11-5                                                        | 8754    | 4-9, 4-11, 5-3, 5-7, 5-9, 5-13, 5-15, 5-17, 6-15 | 1011931   | 4-9, 4-11                     |
| AM10419 | 10-7                                                        | 8755    | 5-9, 5-13, 5-15                                  | 1011988   | 8-13                          |
| AM10682 | 2-3                                                         | 8861    | 5-7                                              | 1012047   | 1-13, 1-15                    |
| AM10724 | 7-5                                                         | 8990    | 5-17, 6-7, 12-7, 12-15, 12-17                    | 1012098   | 15-3, 15-5, 15-7, 15-9, 15-11 |
| CCX8506 | 15-3, 15-5, 15-7                                            | 1010124 | 5-9                                              | 1012101   | 15-7, 15-9, 15-11             |
| 183     | 8-11, 10-3, 11-3                                            | 1010138 | 5-7                                              | 1012151   | 16-7                          |
| 324     | 1-19                                                        | 1010142 | 5-13, 5-15                                       | 1012159   | 1-15                          |
| 332     | 1-11, 1-13, 1-15, 1-19, 8-9, 9-3, 11-11, 12-17              | 1010144 | 5-13, 5-15                                       | 1012180   | 5-13, 5-15                    |
| 334     | 4-9, 4-11, 5-3, 5-17, 7-15                                  | 1010145 | 5-13, 5-15                                       | 1012181   | 5-13, 5-15                    |
| 357     | 5-9                                                         | 1010150 | 5-9                                              | 1012182   | 5-13, 5-15                    |
| 451     | 9-3, 13-3, 13-5, 13-7                                       | 1010177 | 5-9                                              | 1012285   | 8-7, 11-3, 11-11, 12-15       |
| 705     | 6-15, 7-15                                                  | 1010177 | 5-9                                              | 1012295   | 6-7                           |
| 706     | 5-9                                                         | 1010413 | 1-17                                             | 1012303   | 5-9, 5-13, 5-15               |
| 808     | 10-3                                                        | 1010434 | 1-17, 1-23                                       | 1012304   | 5-13, 5-15                    |
| 1028    | 1-17, 4-5                                                   | 1010435 | 1-3                                              | 1012328   | 6-17                          |
| 1032    | 4-5                                                         | 1010543 | 1-11                                             | 1012333   | 11-11                         |
| 1035    | 4-7                                                         | 1010577 | 7-15                                             | 1012382   | 6-5                           |
| 1241    | 1-3, 1-17, 4-5, 4-7, 4-9, 4-11, 6-7, 6-15, 6-17, 9-3, 13-3  | 1010805 | 4-5                                              | 1012412   | 1-13, 1-15                    |
| 1242    | 4-7, 6-7, 6-15                                              | 1010829 | 4-7                                              | 1012431   | 6-7, 6-9, 11-9, 12-7          |
| 1606    | 8-11                                                        | 1010850 | 4-3                                              | 1012466   | 5-3                           |
| 1620    | 1-7                                                         | 1010877 | 4-5                                              | 1012505   | 6-9, 12-7                     |
| 1624    | 4-9, 4-11, 5-17                                             | 1010878 | 4-5                                              | 1012528   | 9-3, 12-15                    |
| 2402    | 5-7                                                         | 1010921 | 1-17, 4-5                                        | 1012549   | 16-9                          |
| 7048    | 5-11                                                        | 1010927 | 4-5                                              | 1012560   | 16-9                          |
| 7173    | 6-15, 6-17                                                  | 1010932 | 4-5                                              | 1012565   | 5-5                           |
| 7174    | 5-3, 6-15, 8-7, 9-3, 13-3, 13-5                             | 1010933 | 4-5                                              | 1012566   | 5-5                           |
| 7251    | 1-3                                                         | 1010934 | 6-17, 13-3, 13-5                                 | 1012571   | 7-15                          |
| 727102  | 2-3                                                         | 1010954 | 6-7, 11-3, 11-9                                  | 1012581   | 1-21                          |
| 7310    | 2-3                                                         | 1010984 | 2-3                                              | 1012594   | 11-9                          |
| 7330    | 11-7, 14-3                                                  | 1010993 | 1-13, 1-15                                       | 1012604   | 5-3                           |
| 7335    | 11-5, 14-3                                                  | 1011014 | 1-3                                              | 1012605   | 5-3                           |
| 7336    | 14-3                                                        | 1011017 | 1-3                                              | 1012649   | 8-13                          |
| 7473    | 1-3, 1-5, 1-17, 4-5, 4-7, 4-9, 4-11, 6-7, 6-15, 6-17        | 1011019 | 1-7                                              | 1012711   | 11-3                          |
| 7479    | 1-15, 1-17                                                  | 1011084 | 4-13                                             | 1012714   | 11-5                          |
| 7555    | 5-17                                                        | 1011229 | 6-9, 12-7                                        | 1012740   | 11-5                          |
| 7577    | 15-5, 15-7, 15-9, 15-11                                     | 1011273 | 16-5                                             | 1012741   | 11-5                          |
| 7716    | 4-5, 4-9, 4-11                                              | 1011280 | 13-3                                             | 1012747   | 11-5                          |
| 7818    | 1-17, 6-7                                                   | 1011290 | 13-3                                             | 1012748   | 11-5                          |
| 7847    | 1-9, 1-13, 9-3                                              | 1011291 | 11-7                                             | 1012752   | 11-3                          |
| 7893    | 6-7, 11-11                                                  | 1011382 | 1-7                                              | 1012809   | 16-9                          |
| 7973    | 1-7                                                         | 1011394 | 1-3                                              | 1012811   | 16-3                          |
| 8056    | 6-9, 12-7                                                   | 1011402 | 4-5                                              | 1012812   | 16-3                          |
| 8057    | 6-7, 6-9, 11-9, 12-7                                        | 1011411 | 13-3                                             | 1012830   | 6-15, 8-7, 9-3                |
| 8058    | 6-7, 6-9, 11-9, 12-7                                        | 1011415 | 5-13, 5-15                                       | 1012836   | 10-7                          |
| 8067    | 5-11                                                        | 1011418 | 4-5                                              | 1012896   | 11-3                          |
| 8233    | 1-13, 1-15, 1-19, 4-9, 4-11, 8-13, 11-3, 11-9, 11-11, 12-17 | 1011466 | 4-3                                              | 1012987   | 11-9                          |
| 8248    | 8-13, 11-9, 12-17                                           | 1011478 | 16-7                                             | 1013001   | 6-11                          |
| 8251    | 1-13, 1-15, 1-21, 11-11                                     | 1011480 | 16-11                                            | 1013003   | 6-11                          |
|         |                                                             | 1011652 | 1-11                                             | 1013005   | 6-11                          |
|         |                                                             | 1011694 | 4-9, 4-11                                        | 101301102 | 6-11                          |
|         |                                                             | 1011697 | 1-5, 5-3, 8-5, 8-7, 12-13                        | 1013032   | 1-21                          |
|         |                                                             | 1011700 | 4-9, 4-11                                        | 1013035   | 5-17                          |

# INDEX

|         |                 |           |                        |           |                   |
|---------|-----------------|-----------|------------------------|-----------|-------------------|
| 1013042 | 5-7, 5-17       | 1014070   | 10-7                   | 1015139   | 8-13              |
| 1013044 | 5-17            | 1014072   | 10-7                   | 1015143   | 8-13              |
| 1013051 | 5-17            | 1014078   | 10-7                   | 101524001 | 6-15              |
| 1013052 | 5-17            | 1014080   | 10-7                   | 1015330   | 7-9, 9-3          |
| 1013061 | 11-3, 12-11     | 1014089   | 11-9                   | 1015332   | 6-5, 7-3          |
| 1013164 | 5-13, 5-15      | 1014115   | 16-9                   | 1015371   | 6-7               |
| 1013207 | 5-15            | 1014116   | 8-13                   | 1015372   | 6-7               |
| 1013216 | 1-21            | 1014119   | 6-7                    | 1015373   | 6-7               |
| 1013218 | 1-21            | 1014125   | 5-3                    | 1015405   | 6-7               |
| 1013343 | 1-7             | 1014126   | 5-3                    | 1015426   | 8-9               |
| 1013344 | 1-7             | 1014145   | 6-7, 11-9              | 101547601 | 3-3               |
| 1013494 | 1-7             | 1014153   | 4-3                    | 1015524   | 16-5              |
| 1013531 | 4-7             | 1014161   | 16-9                   | 1015525   | 1-21              |
| 1013582 | 16-3            | 1014162   | 16-9                   | 1015545   | 5-3               |
| 1013587 | 11-9            | 1014198   | 3-3, 3-5               | 1015583   | 5-9, 5-13, 5-15   |
| 1013589 | 6-7, 11-9       | 1014201   | 13-3, 13-5, 13-7       | 1015597   | 5-11              |
| 1013590 | 11-9            | 1014207   | 11-7                   | 1015649   | 7-3               |
| 1013591 | 11-9            | 1014211   | 5-3                    | 101570501 | 2-3               |
| 1013593 | 16-7            | 1014212   | 5-3                    | 101570507 | 2-3               |
| 1013609 | 6-7             | 1014213   | 5-3                    | 101570512 | 2-3               |
| 1013687 | 8-13            | 1014214   | 5-3                    | 101570513 | 2-3               |
| 1013700 | 8-7             | 1014216   | 5-3                    | 1015707   | 2-3               |
| 1013734 | 9-3, 12-15      | 1014217   | 5-3                    | 1015720   | 6-9, 12-7         |
| 1013746 | 8-5, 8-13       | 1014259   | 16-9                   | 1015737   | 6-5, 6-7          |
| 1013754 | 1-17            | 1014264   | 16-9                   | 1015741   | 6-7               |
| 1013760 | 11-3            | 1014276   | 5-9                    | 1015752   | 6-7, 8-9, 12-9    |
| 1013768 | 11-7            | 1014287   | 10-3                   | 1015814   | 9-3               |
| 1013769 | 11-7            | 1014288   | 5-3, 6-17, 10-3, 12-15 | 101584502 | 8-7               |
| 1013770 | 11-7            | 1014289   | 6-11                   | 1015878   | 6-7               |
| 1013771 | 11-7            | 1014304   | 12-13                  | 1015914   | 15-7, 15-9, 15-11 |
| 1013772 | 11-7            | 1014305   | 16-3                   | 1015917   | 15-7, 15-9        |
| 1013773 | 11-7            | 1014306   | 1-13, 1-15             | 1015920   | 6-5, 6-15         |
| 1013774 | 11-7            | 1014375   | 6-17                   | 1015932   | 6-15              |
| 1013787 | 11-7            | 1014453   | 10-3                   | 1015969   | 7-3               |
| 1013792 | 11-7            | 1014454   | 10-7                   | 1016003   | 8-13              |
| 1013794 | 11-7, 14-3      | 1014482   | 1-17                   | 1016074   | 6-15              |
| 1013869 | 4-5             | 1014496   | 16-5                   | 1016103   | 8-5               |
| 1013870 | 4-5             | 1014497   | 16-5                   | 101611003 | 16-9              |
| 1013871 | 4-9, 4-11       | 1014498   | 16-5                   | 1016154   | 5-5               |
| 1013876 | 4-5             | 1014507   | 16-5                   | 1016156   | 5-5               |
| 1013924 | 4-3, 7-15       | 1014508   | 16-5                   | 1016181   | 5-3               |
| 1013935 | 1-17            | 1014510   | 16-5                   | 1016183   | 5-3               |
| 1013983 | 1-5             | 1014555   | 5-13, 5-15             | 1016201   | 10-3, 11-9        |
| 1014007 | 4-9, 4-11, 11-3 | 1014645   | 1-7                    | 1016203   | 10-5              |
| 1014049 | 10-3            | 1014727   | 11-9                   | 1016214   | 5-5               |
| 1014050 | 10-3            | 1014771   | 2-3                    | 1016219   | 5-5               |
| 1014051 | 10-3            | 1014807   | 6-7, 11-9              | 1016263   | 5-3               |
| 1014052 | 10-3            | 1014808   | 6-7                    | 1016269   | 5-3               |
| 1014055 | 10-3            | 1014928   | 8-13                   | 1016289   | 10-3              |
| 1014056 | 10-3            | 1014947   | 12-15                  | 1016337   | 11-5              |
| 1014057 | 10-3            | 1014948   | 6-7                    | 1016338   | 11-5              |
| 1014058 | 10-3            | 101503202 | 1-7, 1-13, 1-15        | 1016341   | 11-3              |
| 1014059 | 10-3            | 1015064   | 11-9                   | 1016342   | 11-9              |
| 1014062 | 10-3            | 1015072   | 12-13                  | 1016346   | 5-7               |
| 1014063 | 10-3            | 1015075   | 1-3, 1-17              | 1016349   | 5-7               |
| 1014065 | 6-7, 10-3, 11-9 | 1015137   | 8-5, 8-13              | 1016350   | 5-7               |

# INDEX

|           |                |           |                |           |                |
|-----------|----------------|-----------|----------------|-----------|----------------|
| 1016353   | 5-7            | 1016467   | 7-7            | 1016546   | 8-7            |
| 1016379   | 1-5            | 1016469   | 7-13           | 1016547   | 7-3, 7-13, 8-5 |
| 1016384   | 5-9            | 1016470   | 7-13           | 1016548   | 7-5            |
| 1016385   | 5-7            | 1016471   | 7-9            | 1016549   | 7-9            |
| 1016386   | 5-9            | 1016472   | 7-11           | 101655001 | 7-13           |
| 1016387   | 5-7, 5-9       | 1016473   | 7-7            | 101655002 | 7-13           |
| 1016389   | 5-9            | 1016474   | 7-9            | 101655003 | 7-13           |
| 101641002 | 16-5           | 101647501 | 7-13           | 101655004 | 7-13           |
| 101641101 | 16-11          | 101647502 | 7-13           | 101655005 | 7-13           |
| 101641201 | 16-9           | 1016479   | 7-9            | 101655006 | 7-13           |
| 101641202 | 16-3           | 1016480   | 8-5            | 101655007 | 7-13           |
| 1016413   | 16-9           | 101648102 | 8-5            | 101655008 | 7-13           |
| 1016414   | 16-9           | 101648203 | 7-7            | 101655009 | 7-13           |
| 1016415   | 16-9           | 1016483   | 7-9            | 1016551   | 16-11          |
| 1016416   | 16-3           | 1016484   | 7-7            | 1016552   | 16-11          |
| 1016417   | 16-3           | 1016486   | 8-3            | 1016553   | 16-11          |
| 1016418   | 16-7           | 1016489   | 7-9            | 1016554   | 16-11          |
| 101642572 | 8-3            | 101649002 | 8-5            | 1016558   | 7-13           |
| 101642575 | 8-3            | 1016493   | 7-5            | 1016559   | 7-13           |
| 101642578 | 8-3            | 1016494   | 7-11           | 1016560   | 7-9            |
| 101642580 | 8-3            | 1016496   | 7-11           | 1016561   | 7-5            |
| 101642582 | 8-3            | 1016497   | 7-5            | 1016562   | 7-5, 7-13      |
| 1016429   | 7-7            | 1016499   | 8-3            | 1016563   | 7-9            |
| 1016430   | 7-9            | 1016501   | 8-3            | 1016564   | 7-11           |
| 1016431   | 7-9            | 1016502   | 7-7            | 1016565   | 7-11           |
| 1016432   | 7-7, 11-3      | 1016505   | 7-5            | 1016566   | 7-9            |
| 1016435   | 7-7            | 1016506   | 7-11           | 1016567   | 7-11           |
| 1016436   | 7-9            | 1016507   | 7-3            | 1016568   | 7-13           |
| 1016437   | 8-3            | 1016509   | 7-13           | 1016569   | 7-9            |
| 1016438   | 8-5            | 1016510   | 7-11           | 1016570   | 7-7            |
| 1016439   | 8-5            | 1016513   | 11-3           | 1016571   | 7-13           |
| 1016440   | 7-9, 8-5       | 101651401 | 2-3            | 1016572   | 8-5            |
| 1016441   | 8-5            | 101651407 | 2-3            | 1016576   | 7-7            |
| 1016443   | 7-3            | 101651412 | 2-3            | 1016578   | 7-5            |
| 1016444   | 8-5            | 101651413 | 2-3            | 1016579   | 7-5            |
| 1016445   | 7-5            | 1016516   | 7-13           | 1016580   | 7-13           |
| 1016446   | 7-9, 7-11      | 1016517   | 7-9            | 1016581   | 7-7            |
| 1016447   | 7-9            | 1016519   | 7-9            | 1016582   | 8-5            |
| 1016448   | 7-9            | 1016520   | 7-11           | 1016583   | 7-9            |
| 1016449   | 7-9            | 1016521   | 7-11           | 1016584   | 7-11           |
| 1016450   | 7-9            | 1016523   | 7-9            | 1016585   | 8-3            |
| 1016451   | 7-9            | 1016524   | 7-3            | 1016586   | 7-5            |
| 1016452   | 7-9            | 1016525   | 7-3            | 1016587   | 7-5            |
| 1016453   | 7-11           | 1016526   | 7-3            | 1016588   | 7-5            |
| 1016454   | 7-11           | 1016531   | 7-3            | 101660404 | 1-7            |
| 1016455   | 7-5            | 1016532   | 7-13           | 1016622   | 5-3            |
| 1016456   | 7-3, 7-5, 7-11 | 1016533   | 7-13           | 1016627   | 16-7           |
| 1016457   | 7-7            | 1016535   | 7-11           | 1016630   | 6-9            |
| 1016458   | 7-9, 7-11      | 1016536   | 7-3            | 1016663   | 5-5            |
| 101645901 | 7-13           | 1016537   | 7-7            | 1016672   | 11-7           |
| 101645902 | 7-13           | 1016538   | 7-11           | 1016801   | 10-3           |
| 101645903 | 7-13           | 1016539   | 7-3            | 1016811   | 1-9            |
| 1016460   | 7-13           | 1016541   | 7-13           | 1016849   | 6-9, 12-7      |
| 101646101 | 7-13           | 1016542   | 7-9            | 1016851   | 6-9, 12-7      |
| 101646102 | 7-13           | 1016544   | 7-5, 7-9, 7-11 | 1016857   | 6-9, 12-7      |
| 101646103 | 7-13           | 1016545   | 7-9            | 1016859   | 6-9, 12-7      |

# INDEX

|           |      |           |             |           |                   |
|-----------|------|-----------|-------------|-----------|-------------------|
| 1016868   | 1-3  | 101696216 | 1-13        | 101796201 | 4-9, 4-11         |
| 1016874   | 1-5  | 101696217 | 1-15        | 101796501 | 12-11             |
| 1016875   | 1-5  | 101696218 | 1-15        | 101796801 | 12-11             |
| 1016876   | 1-5  | 101696219 | 1-13        | 101801001 | 12-11             |
| 1016883   | 6-15 | 101696220 | 1-13        | 101802101 | 12-11             |
| 1016916   | 1-11 | 101696221 | 1-13        | 101802201 | 15-7              |
| 101692501 | 1-3  | 101696222 | 1-15        | 101802202 | 15-7              |
| 101692502 | 1-3  | 101696223 | 1-15        | 101802203 | 15-7              |
| 101692504 | 1-3  | 101696224 | 1-15        | 101804301 | 8-9               |
| 101692506 | 1-3  | 1016967   | 1-3         | 101805701 | 8-11              |
| 101692509 | 1-3  | 1017029   | 4-5         | 101808401 | 16-3              |
| 101692510 | 1-3  | 101706702 | 1-23        | 101809101 | 16-5              |
| 101692511 | 1-3  | 1017079   | 1-5         | 101811401 | 8-11              |
| 101692512 | 1-3  | 1017080   | 1-3         | 101811501 | 8-11              |
| 101692513 | 1-3  | 1017082   | 11-3        | 101811901 | 8-9               |
| 101692514 | 1-3  | 101708301 | 1-9         | 101812301 | 8-9               |
| 101692515 | 1-3  | 1017141   | 1-13, 1-15  | 101813001 | 8-9               |
| 101692601 | 1-13 | 1017203   | 8-13        | 101813202 | 16-3              |
| 101692602 | 1-13 | 1017221   | 7-3         | 101815501 | 4-3               |
| 101692604 | 1-13 | 1017226   | 5-3         | 101815502 | 4-3               |
| 101692606 | 1-13 | 1017231   | 11-3        | 101816301 | 4-3               |
| 101692609 | 1-13 | 1017266   | 5-7         | 101816501 | 4-3               |
| 101692610 | 1-13 | 1017267   | 1-23        | 101816502 | 4-3               |
| 101692611 | 1-13 | 1017273   | 5-5         | 101817401 | 4-9, 4-11         |
| 101692612 | 1-13 | 1017378   | 4-9, 4-11   | 101818801 | 4-9               |
| 101692613 | 1-13 | 1017380   | 4-9, 4-11   | 101820201 | 8-5               |
| 101693301 | 1-15 | 1017424   | 4-9, 4-11   | 101821301 | 6-7               |
| 101693302 | 1-15 | 1017448   | 7-5         | 101821501 | 8-9               |
| 101693304 | 1-15 | 1017455   | 7-5         | 101823101 | 16-9              |
| 101693306 | 1-15 | 1017456   | 7-7         | 101823201 | 4-3               |
| 101693309 | 1-15 | 1017461   | 8-3         | 101823301 | 4-3               |
| 101693310 | 1-15 | 1017466   | 8-5         | 101823302 | 4-3               |
| 101693311 | 1-15 | 1017468   | 7-5         | 101823801 | 4-3               |
| 101693312 | 1-15 | 1017507   | 7-7         | 101823901 | 4-3               |
| 101693313 | 1-15 | 1017653   | 6-11        | 101824001 | 4-3               |
| 101693901 | 1-3  | 101768202 | 1-23        | 101824002 | 4-3               |
| 101693902 | 1-3  | 101768204 | 1-23        | 101824401 | 8-13              |
| 101693904 | 1-3  | 1017686   | 10-7        | 101825101 | 3-3, 3-5          |
| 101693906 | 1-3  | 1017689   | 9-3         | 101826201 | 12-7              |
| 101693908 | 1-3  | 101769302 | 2-3         | 101826301 | 6-9               |
| 101693909 | 1-3  | 1017696   | 4-9, 4-11   | 101826801 | 12-15             |
| 101693910 | 1-3  | 1017705   | 12-11       | 101827101 | 7-15              |
| 101693911 | 1-3  | 1017748   | 1-13, 1-15  | 101827601 | 6-7               |
| 101693912 | 1-3  | 101776201 | 1-23        | 101827801 | 12-15             |
| 101693913 | 1-3  | 101776301 | 1-23        | 101828301 | 15-7              |
| 1016947   | 11-9 | 1017774   | 1-17        | 101828501 | 15-7, 15-9        |
| 1016952   | 1-9  | 1017814   | 1-15        | 101828801 | 15-5, 15-7        |
| 101696201 | 1-15 | 1017815   | 1-15        | 101828802 | 15-5, 15-7        |
| 101696202 | 1-15 | 101791101 | 4-3         | 101828901 | 15-7, 15-9, 15-11 |
| 101696204 | 1-15 | 1017936   | 1-13, 1-15  | 101828902 | 15-7, 15-9, 15-11 |
| 101696206 | 1-15 | 1017944   | 13-3        | 101828903 | 15-7              |
| 101696208 | 1-13 | 1017947   | 13-3        | 101828904 | 15-5              |
| 101696209 | 1-13 | 1017949   | 13-3        | 101828905 | 15-5              |
| 101696211 | 1-13 | 1017950   | 13-3        | 101828906 | 15-5              |
| 101696213 | 1-13 | 1017953   | 13-3        | 101830601 | 6-9, 12-7         |
| 101696215 | 1-13 | 101795701 | 12-5, 12-13 | 101830701 | 6-9, 12-7         |

# INDEX

|           |             |           |          |           |                        |
|-----------|-------------|-----------|----------|-----------|------------------------|
| 101831101 | 15-7        | 101876501 | 6-11     | 101900801 | 4-7, 5-13              |
| 101831503 | 15-9        | 101877601 | 6-11     | 101900901 | 6-9                    |
| 101831504 | 15-9        | 101877701 | 6-11     | 101903601 | 14-3                   |
| 101831701 | 15-9        | 101878101 | 6-11     | 101903701 | 14-3                   |
| 101831801 | 16-5        | 101878201 | 4-5      | 101905601 | 8-3                    |
| 101831901 | 16-3        | 101879001 | 6-11     | 101906901 | 14-3                   |
| 101832001 | 12-11       | 101879401 | 5-17     | 101908101 | 12-17                  |
| 101832101 | 7-15        | 101879501 | 5-17     | 101908401 | 12-17                  |
| 101832202 | 8-7         | 101879601 | 5-17     | 101908601 | 3-5                    |
| 101832302 | 8-7         | 101879701 | 5-17     | 101908701 | 12-15                  |
| 101832701 | 7-15        | 101879801 | 5-17     | 101909201 | 7-5                    |
| 101833201 | 7-15        | 101879901 | 5-17     | 101909301 | 7-5                    |
| 101833401 | 10-7        | 101880001 | 5-17     | 101909401 | 7-5                    |
| 101833601 | 11-3        | 101880101 | 5-17     | 101909701 | 7-3                    |
| 101833701 | 6-11        | 101880201 | 5-17     | 101910401 | 1-17, 12-15            |
| 101833902 | 10-3        | 101880301 | 5-17     | 101910501 | 11-7                   |
| 101834001 | 10-7        | 101881101 | 7-5      | 101912401 | 4-13                   |
| 101834502 | 6-9, 12-7   | 101881701 | 8-9      | 101914401 | 15-7, 15-9             |
| 101834601 | 7-15        | 101884801 | 7-15     | 101915201 | 3-3                    |
| 101834801 | 11-3        | 101886101 | 11-3     | 101915401 | 7-11                   |
| 101835601 | 1-19        | 101887101 | 16-3     | 101915501 | 7-13                   |
| 101836201 | 10-7        | 101887601 | 7-3, 8-5 | 101915601 | 7-3                    |
| 101837101 | 8-9         | 101889401 | 11-5     | 101915801 | 7-5                    |
| 101837301 | 6-5, 6-15   | 101890001 | 11-5     | 101916701 | 6-15, 10-3             |
| 101838201 | 15-9        | 101890101 | 11-3     | 101917601 | 8-9                    |
| 101838301 | 15-9        | 101890201 | 11-3     | 101917701 | 8-11                   |
| 101838401 | 15-9, 15-11 | 101890501 | 11-3     | 101918501 | 4-5                    |
| 101838501 | 15-9        | 101890601 | 11-3     | 101920101 | 12-9, 13-3, 13-5, 13-7 |
| 101838601 | 15-9, 15-11 | 101890901 | 11-7     | 101921501 | 8-9                    |
| 101850301 | 8-11        | 101891001 | 11-7     | 101922101 | 14-3                   |
| 101851101 | 6-9, 12-7   | 101891301 | 11-3     | 101922201 | 14-3                   |
| 101855801 | 11-11       | 101891401 | 11-7     | 101922301 | 7-13                   |
| 101856002 | 12-17       | 101891501 | 11-7     | 101922501 | 12-17                  |
| 101856102 | 6-7         | 101891601 | 11-5     | 101922601 | 11-11                  |
| 101856201 | 8-11        | 101891901 | 11-5     | 101923001 | 14-3                   |
| 101859301 | 9-3         | 101892001 | 11-5     | 101923201 | 14-3                   |
| 101861901 | 4-9, 4-11   | 101892201 | 11-5     | 101923501 | 14-3                   |
| 101862001 | 4-11        | 101892301 | 11-5     | 101923701 | 14-3                   |
| 101869302 | 6-11        | 101892401 | 11-5     | 101923901 | 14-3                   |
| 101870501 | 5-9         | 101892501 | 11-5     | 101925601 | 10-3                   |
| 101871001 | 16-3        | 101892601 | 11-5     | 101925701 | 8-9                    |
| 101874901 | 6-11        | 101892701 | 11-7     | 101926901 | 11-3                   |
| 101875001 | 6-11        | 101892901 | 11-3     | 101927101 | 11-3                   |
| 101875101 | 6-11        | 101893201 | 11-5     | 101927201 | 11-3                   |
| 101875102 | 6-11        | 101893801 | 11-3     | 101927301 | 11-3                   |
| 101875201 | 6-11        | 101893901 | 11-5     | 101927501 | 11-5                   |
| 101875301 | 6-11        | 101894901 | 12-11    | 101927601 | 11-5                   |
| 101875401 | 6-11        | 101895401 | 14-3     | 101927701 | 11-5                   |
| 101875501 | 6-11        | 101895501 | 14-3     | 101927901 | 11-5                   |
| 101875601 | 6-11        | 101896501 | 6-11     | 101928001 | 11-5                   |
| 101875701 | 6-11        | 101896901 | 8-13     | 101928101 | 11-5                   |
| 101875802 | 6-11        | 101897001 | 14-3     | 101928301 | 11-7                   |
| 101876001 | 6-11        | 101897201 | 14-3     | 101928601 | 11-3                   |
| 101876202 | 6-11        | 101897401 | 14-3     | 101928701 | 11-3, 14-3, 16-7       |
| 101876301 | 6-11        | 101897601 | 14-3     | 101929301 | 7-5                    |
| 101876402 | 6-11        | 101898001 | 6-17     | 101929801 | 10-3                   |

# INDEX

|           |                  |           |                  |           |            |
|-----------|------------------|-----------|------------------|-----------|------------|
| 101929802 | 10-3             | 102022602 | 5-7, 5-17        | 102265801 | 13-3       |
| 101931501 | 3-5, 12-15       | 102026001 | 4-9, 4-11        | 102265901 | 13-3       |
| 101932601 | 12-15            | 102031901 | 11-7             | 102266001 | 13-3       |
| 101932701 | 12-15            | 102045901 | 11-3             | 102266101 | 13-3       |
| 101933101 | 16-7             | 102060511 | 1-17             | 102266501 | 12-15      |
| 101935501 | 12-7             | 102060512 | 1-17             | 102267001 | 13-3       |
| 101936801 | 12-9             | 102060514 | 1-17             | 102273201 | 15-5       |
| 101939901 | 6-11             | 102060515 | 1-17             | 102273301 | 15-5       |
| 101942301 | 13-3, 13-5, 13-7 | 102061201 | 16-9             | 102273401 | 15-5       |
| 101951501 | 11-11            | 102063901 | 1-19             | 102273601 | 15-5       |
| 101953101 | 4-7              | 102064601 | 1-19             | 102273701 | 15-3, 15-5 |
| 101953901 | 7-3              | 102065501 | 1-19             | 102273801 | 15-3, 15-5 |
| 101954301 | 1-11             | 102065901 | 7-15             | 102273901 | 15-3, 15-5 |
| 101956201 | 15-11            | 102076701 | 1-17, 1-19       | 102274001 | 15-5       |
| 101956202 | 15-11            | 102099101 | 1-19             | 102278001 | 5-3        |
| 101958201 | 15-11            | 102101001 | 12-9             | 102289201 | 5-7, 5-17  |
| 101958301 | 15-11            | 102101101 | 12-9             | 102296920 | 12-17      |
| 101959902 | 3-5              | 102155501 | 1-19             | 102304701 | 7-9        |
| 101960501 | 3-3              | 102155801 | 10-7             | 102310701 | 1-5        |
| 101960601 | 3-3, 3-5         | 102169401 | 16-7             | 102323101 | 4-5        |
| 101963401 | 7-15             | 102174201 | 1-11             | 102323201 | 4-5        |
| 101965205 | 12-15            | 102174202 | 1-11             | 102330901 | 16-9       |
| 101971301 | 8-9              | 102174204 | 1-11             | 102336001 | 8-7        |
| 101972001 | 16-7             | 102174205 | 1-11             | 102336101 | 8-7        |
| 101972002 | 16-7             | 102186001 | 13-5, 13-7       | 102353201 | 5-11       |
| 101972003 | 16-7             | 102186101 | 13-5, 13-7       | 102353301 | 5-11       |
| 101972004 | 16-7             | 102186201 | 13-5, 13-7       | 102355301 | 6-17       |
| 101972005 | 16-7             | 102186301 | 13-5, 13-7       | 102356601 | 14-3       |
| 101972006 | 16-7             | 102186401 | 13-5, 13-7       | 102356801 | 14-3       |
| 101972007 | 16-7             | 102186701 | 13-5, 13-7       | 102357001 | 14-3       |
| 101972009 | 16-7             | 102186901 | 13-5, 13-7       | 102357701 | 5-11       |
| 101972011 | 16-7             | 102187001 | 13-5             | 102453001 | 11-5       |
| 101972012 | 16-7             | 102187101 | 13-5, 13-7       | 102453101 | 11-5       |
| 101972101 | 14-3             | 102198301 | 1-19             | 102508401 | 12-17      |
| 101972201 | 14-3             | 102221201 | 1-5, 1-13, 1-15  | 102511301 | 12-13      |
| 101972801 | 8-9              | 102235201 | 13-3, 13-5, 13-7 | 102511302 | 12-13      |
| 101973101 | 8-3              | 102236601 | 1-17             | 102518001 | 3-5        |
| 101973201 | 8-3              | 102236703 | 1-17             | 102519201 | 3-3        |
| 101973501 | 15-11            | 102237001 | 1-17             | 102540301 | 7-15       |
| 101976601 | 15-11            | 102238301 | 1-17             | 102555501 | 16-3       |
| 101979101 | 11-9             | 102238302 | 1-17             | 102562401 | 16-3       |
| 101980801 | 11-5             | 102238304 | 1-17             | 102564002 | 5-9        |
| 101980901 | 11-5             | 102238305 | 1-17             | 102569304 | 2-3        |
| 101981001 | 11-5             | 102240501 | 12-15            | 102570401 | 16-11      |
| 101984801 | 5-3              | 102241501 | 16-7             | 102588501 | 5-13, 5-15 |
| 101987501 | 15-11            | 102241502 | 16-7             | 102601501 | 16-5       |
| 101987701 | 8-13             | 102242101 | 10-7             | 102603501 | 16-5       |
| 101990801 | 4-7              | 102242401 | 1-17             | 102605201 | 16-5       |
| 101998211 | 1-11             | 102243402 | 16-7             | 102606101 | 16-5       |
| 101998212 | 1-11             | 102243403 | 13-3, 13-5, 13-7 | 102607501 | 16-5       |
| 101998214 | 1-11             | 102248803 | 16-7             | 102628201 | 6-13       |
| 101998215 | 1-11             | 102249901 | 16-3             | 102668801 | 16-9       |
| 101998501 | 1-11             | 102251501 | 16-7             | 102669901 | 16-7       |
| 102003201 | 8-13             | 102263601 | 12-15            | 102674001 | 16-5       |
| 102022101 | 4-7              | 102265601 | 13-3             | 102674101 | 16-5       |
| 102022601 | 5-7              | 102265701 | 13-3             | 102674201 | 16-5       |

# INDEX

- 102674401 16-9
  - 102674601 16-9
  - 102675001 16-5
  - 102675101 16-5
  - 102675201 16-5
  - 102675301 16-5
  - 102675401 16-5
  - 102684501 5-9
  - 102686101 16-3
  - 102704701 13-5, 13-7
  - 102704801 13-5, 13-7
  - 102704901 13-5, 13-7
  - 102711001 6-13
  - 102711201 6-7
  - 102751601 8-13
  - 102753401 7-9
  - 102766301 5-9
  - 102771701 14-3
  - 102777401 12-13
  - 102806201 12-15
  - 102832601 12-13
  - 102838701 6-13
  - 102838801 6-13
  - 102838901 6-13
  - 102839001 6-13
  - 102839301 6-13
  - 102841101 6-13
  - 102844401 6-13
  - 102844501 6-13
  - 102844601 6-13
  - 102844701 6-13
  - 102865101 8-13
  - 102886301 14-3
  - 102886401 14-3
  - 102886501 14-3
  - 102886601 14-3
  - 102913301 12-5
  - 103010101 8-13
  - 103246701 1-11
  - 103246801 1-11
  - 103250701 12-5
  - 103262701 12-17
  - 103282601 12-15
  - 103316701 12-15
  - 103316801 12-15
  - 103316901 12-15
  - 103325501 13-3
  - 103325601 13-3
  - 103325701 13-3
  - 103325801 13-3
  - 103332302 6-5, 6-7
  - 103337601 13-3
  - 103345701 10-3
  - 103347101 6-13
  - 103347301 6-13
  - 103347601 6-13
  - 103347701 6-13
  - 103347801 6-13
  - 103347901 6-13
  - 103351001 5-7
  - 103354701 5-7
  - 103359401 12-15
  - 103379501 11-11
  - 103397901 15-5, 15-7
  - 103414901 15-5, 15-7
  - 103428501 15-3
  - 103428601 15-3
  - 103428701 15-3
  - 103429001 15-3
  - 103429101 15-3
  - 103429201 15-3
  - 103429301 15-3
  - 103429501 15-3
  - 103429601 15-3
  - 103429701 15-3
  - 103434001 15-3
  - 103439901 15-3
  - 103477901 5-11
  - 103502901 5-13
  - 103507001 5-9
  - 103517401 15-3
  - 103517601 15-5
  - 103520301 8-11
  - 103572501 13-7
  - 103601501 5-17
  - 103601601 5-3
  - 103628701 5-9
  - 103629001 5-15
  - 103653401 5-17
  - 103653501 5-7
  - 103666101 5-11
  - 103666201 5-11
  - 103667101 5-11
  - 103667201 5-11
  - 103667301 5-11
  - 103667401 5-11
  - 103717001 15-3
  - 103717002 15-3
  - 103717003 15-3
  - 103779601 15-3
  - 103781201 8-13
  - 96704416 7-15
- A**
- absorber, rear shock 5-13, 5-15
  - AC cord 15-5, 15-7, 15-9, 15-11
  - AC cord bushing 15-3, 15-5
  - AC cord receptacle 15-11
  - AC cordset 15-3
  - accelerator bracket and bearing assembly 4-9, 4-11
  - accelerator cable 8-7
  - accelerator pedal 4-9, 4-11
  - accelerator pedal adjustment tool 16-3
  - accelerator pivot rod 4-9, 4-11
  - accelerator return spring 4-9, 4-11
  - accelerator rod 4-13
  - access door 1-21
  - adapter
    - cable (IQDM) 16-7
  - adhesive, guide ring 16-3
  - adjuster
    - hydraulic brake 16-7
  - air box 8-9
  - air box top 8-9
  - air filter 8-9
  - air intake hose 8-9
  - ammeter 15-3, 15-5, 15-7, 15-9, 15-11
  - A-plate strap 5-7
  - A-plate, delta 5-7
  - arbor 16-3
  - arm
    - governor 11-3
    - pivot 11-3
    - rocker 7-9
  - armature 6-11, 13-3, 13-5, 13-7
  - armature conversion kit 6-11
  - assembly
    - accelerator bracket and bearing 4-9, 4-11
    - accelerator pivot rod 4-9, 4-11
    - air box 8-9
    - air box top 8-9
    - armature 6-11
    - axle 11-7
    - bearing, steering shaft 5-3
    - brake lever 4-3
    - brush connector 6-11
    - brush holder 6-11
    - carburetor 8-3
    - connecting rod 7-13
    - delta A-plate 5-7
    - delta shock and gear support 5-7
    - drive hub 10-3
    - driven clutch 10-7
    - driven clutch fixed-face 10-7
    - field coil 6-11
    - float 8-3
    - Forward/Reverse shifter 11-9
    - frame and field (motor) 13-5, 13-7
    - fuel tank vent 8-13
    - governor 11-5
    - idle screw 8-3
    - inner ball joint 5-17
    - kingpin 5-9
    - moveable-face 10-3, 10-7
    - pilot air screw 8-3
    - ratchet 4-5
    - score card plate 5-5

# INDEX

secondary clutch weight 10-3  
steering shaft 5-3  
steering wheel 5-5  
axle 11-7, 14-3  
axle shaft oil seal 11-7, 14-3  
axle tube 14-3

## B

backing plate, brake 4-3  
bag hoop 1-17  
bag strap assembly 1-17  
bag strap buckle 1-17  
bag well protector 1-23  
bag, desiccant 10-3  
bagwell protector 1-23  
ball joint 4-5, 4-13, 11-11  
ball stud 6-7, 11-3, 11-9  
ball, bearing 5-11, 6-13  
ball, shifter 11-5  
ball, steel pressure relief 7-7  
band, RPM limiter mount 7-5  
bar, drive 12-9  
barb, vent 8-13  
barrel, plastic 1-17, 1-23  
basket, sweater 1-17  
battery charger 15-5, 15-7, 15-9, 15-11  
battery charger case 15-5, 15-7, 15-9, 15-11  
battery charger handle 15-5  
battery charger receptacle 12-11  
battery charger transformer 15-5, 15-7, 15-9, 15-11  
battery clamp 6-17  
battery discharge machine 16-3  
battery hold-down, 12-volt 12-13  
battery terminal protector spray 16-3  
battery thermometer 16-3  
battery warning light 12-7  
battery, 12-volt 6-17  
battery, 12-volt, Trojan T1275, moist 12-13  
battery, 12-volt, Trojan T1275, wet 12-13  
bearing 14-3  
ball 5-11, 6-13  
ball (motor) 13-5, 13-7  
ball (steering pinion) 5-17  
idler 10-3  
inner axle tube 11-7, 14-3  
lower pinion (steering) 5-17  
needle 11-5  
outer axle tube 11-7  
pivot support 4-9, 4-11  
steering shaft 5-3  
thrust 5-9  
bearing and oil seal remover 16-3  
bearing driver set 16-3  
bearing puller 16-3  
bearing puller wedge 16-3

bearing retainer 13-3  
bearing seal 5-3  
bearing seat 5-3  
bell crank 6-7, 11-9  
bellows 5-17  
belt, drive 10-5  
belt, starter/generator 6-15, 10-3  
beverage holder 1-9  
block, brake-mounting 4-5  
block, fuse 6-7  
body kick plate 1-13, 1-15  
body, front 1-3  
body, rear 1-13, 1-15  
bolt, J- 12-13  
boot, steering column 5-3  
boot, switch 12-17  
bottom, air box 8-9  
box  
air 8-9  
electrical component 6-7  
steering gear 5-17  
bracket 7-3  
accelerator cable 8-7  
adjustable starter/generator 6-15  
governor cable 8-7  
muffler mounting 9-3  
oil filter mount 7-7  
oil level switch 7-11  
relay mounting 15-9  
RPM limiter 7-5  
shifter 11-3, 11-11  
shock absorber 5-13, 5-15  
shock mounting 5-13, 5-15  
snubber 7-15  
starter/generator mounting 6-15  
steering column 5-3  
steering column mounting 5-3  
throttle spring return 8-5  
Tow/Run switch 12-17  
brake adjusting mechanism 4-3  
brake adjustment tool 16-3  
brake backing plate 4-3  
brake cable 4-7  
brake cable equalizer 4-7  
brake cable hanger 4-7, 5-13, 5-15  
brake cable release tool 16-3  
brake cluster 4-3  
brake drum 4-3  
brake lever 4-3  
brake mounting block 4-5  
brake pedal 4-5  
brake pedal adjustment tool 16-3  
brake pedal pad 4-5  
brake pedal tension tool 16-3  
brake return spring 4-7  
brake self-adjusting mechanism 4-3

brake shoe 4-3  
brake spring 4-3  
breaker, circuit 15-3, 15-5, 15-7, 15-9, 15-11  
breather 11-3, 14-3  
brush 13-3, 13-5, 13-7  
brush and screw set 6-11  
brush box assembly 13-5, 13-7  
brush connector 6-11  
brush cover kit, starter/generator 6-13  
brush holder 6-11  
brush inspection port cover 6-11  
brush plate  
starter/generator 6-13  
brush port cover 6-11  
brush rigging 13-3, 13-5, 13-7  
brush spring 6-13, 13-3, 13-5, 13-7  
brush spring set 6-11  
brush spring, starter/generator 6-13  
brush terminal, starter/generator 6-13  
buckle, bag strap 1-17  
bumper  
drive unit (motor) 13-3, 13-5, 13-7  
front 1-3  
front, kit 1-3  
rear 1-5  
rubber 4-5  
side trim 1-5  
spring return 4-9, 4-11  
bumper mounting 1-5  
bushing 10-3  
AC cord 15-3, 15-5  
bronze 5-11  
nylon 4-5  
spindle 5-11  
steel 5-9, 5-13, 5-15  
urethane 5-7, 5-9, 5-13, 5-15  
bushing, insulated 13-3  
button, choke 8-11  
button, drive 10-7  
buzzer, reverse 6-9, 12-7

## C

cable  
accelerator 8-7  
brake 4-7  
governor 8-7  
IQDM 16-7  
transmission 11-11  
cable retainer 11-11  
calibration test module 16-3  
cam  
driven clutch 10-7  
electrical component box 6-7  
neutral lockout 11-9  
cam installation tool 16-3  
camshaft 7-11



# INDEX

- canopy support 1-19
  - cap
    - fuel tank 8-13
    - key switch 6-9, 12-7
    - spark plug 7-5
  - carburetor 8-3
  - carburetor float level tool 16-7
  - carburetor insulator 8-5, 13-3
  - carburetor mounting gasket 8-5
  - card, safety first 16-9
  - case
    - battery charger 15-5, 15-7, 15-9, 15-11
    - differential gear 11-7
    - gear 11-3, 14-3
    - rocker 7-9
  - case, charger 15-3
  - charger bezel tool 16-3
  - charger board relay 15-3
  - charger case 15-3
  - charger hardware 15-3
  - charger legs 15-3
  - charger receptacle 12-11
  - charger wires 15-3
  - charger, battery 15-5, 15-7
  - choke button 8-11
  - choke lever 8-11
  - choke lever guide 8-11
  - choke positioner 8-11
  - choke valve 8-9
  - circuit breaker 15-3, 15-5, 15-7, 15-9, 15-11
  - clamp
    - battery 6-17
    - cable retaining 8-7
    - hose 8-5, 8-9, 8-13
    - muffler hose 9-3
  - clevis, upper delta 5-9
  - clip, score card 5-5
  - cluster idler gear 11-5
  - cluster, brake 4-3
  - clutch alignment tool 16-5
  - clutch pulley 10-3
  - clutch removal tool 16-3
  - clutch repair kit 10-7
  - clutch tool kit 16-5
  - clutch weight 10-3
  - clutch, drive 10-3
  - clutch, driven 10-7
  - coil, field 6-11
  - coil, ignition 7-5
  - collet 7-9
  - column, steering 5-3
  - communication display module 16-5
  - component box, electrical 6-7
  - component mounting plate 12-15
  - compression gauge 16-5
  - compression lug 12-15
  - compression spring 8-11
  - compressor, piston ring 16-9
  - compressor, valve spring 16-11
  - computer, onboard 12-15
  - connecting rod 7-13
  - connector, a- 6-11
  - connector, speed controller 12-15
  - continuity tester 16-5
  - controller cover 12-15
  - controller cover gasket 12-15
  - controller, motor speed 12-15
  - cord connector 7-11
  - cord set, DC 15-5
  - cord, AC 15-5, 15-7, 15-9, 15-11
  - cord, DC 15-7, 15-9, 15-11
  - Cordset
    - PD3, AC 114" 15-3
    - PD3, AC 80" 15-3
    - PD3, DC 113" 15-3
    - PD3, DC 154" 15-3
    - PD3, DC 205" 15-3
  - counterbalance guide shaft 7-13
  - counterbalance weight 7-13
  - cover
    - brush inspection port 6-11
    - brush port 6-11
    - crankcase 7-11
    - dust 4-3, 5-3
    - electrical box 6-7
    - oil pump 7-7
    - screw head 1-7
    - steering column tube 5-3
  - cover gasket, controller 12-15
  - cover plate 13-5, 13-7
  - cover, controller 12-15
  - cover, speed controller 12-15
  - cowl 1-3
  - crank, bell 11-9
  - crankcase 7-13
  - crankcase cover gasket 7-9, 7-11
  - crankcase vent tube 8-5
  - crankshaft 7-13
  - crankshaft seal 7-11
  - crankshaft shim 7-13
  - C-type stop ring 5-17
  - cup holder 1-9
  - cup, spring 4-9, 4-11
  - current limiter 15-11
  - cushion, shock absorber 5-13, 5-15
  - cutter, valve seat 16-5, 16-11
- D**
- damper, RPM limiter 7-5
  - dash component 1-7
  - dash panel 1-7
  - DC cord 15-7, 15-9, 15-11
  - DC cord set 15-5
  - DC cordset 15-3
  - decal
    - component cover 3-5, 12-15
    - dash warning 3-3, 3-5
    - driver/passenger 3-3
    - frame ground 3-3
    - motor braking 3-5
    - on/off 3-3, 3-5
    - operating instructions (electric) 3-5
    - operating instructions (gas) 3-3
    - rotating parts 3-3
    - Tow/Run switch warning 3-5
  - delta A-plate 5-7
  - delta A-plate sub-assembly 5-7
  - delta shock and gear support 5-7
  - desiccant bag 10-3
  - DF-terminal insulator 6-11
  - diesel tachometer probe 16-9
  - differential
    - drive unit 14-3
  - differential gear 11-7, 14-3
  - differential gear case 11-7
  - differential housing 14-3
  - differential idler gear 11-7
  - differential pin 11-7
  - diode 6-7
  - dipstick 7-3
  - door, access 1-21
  - drain plug 7-7
  - drain plug gasket 7-7, 11-3
  - drain plug, rubber 6-13
  - drink holder 1-9
  - drive bar 12-9
  - drive belt 10-5
  - drive button 10-7
  - drive clutch 10-3
  - drive clutch button 10-3
  - drive clutch fixed sheave tool 16-5
  - drive clutch fixed-face 10-3
  - drive clutch holder tool 16-5
  - drive clutch hub puller 16-5
  - drive clutch puller 16-5
  - drive clutch spider removal tool 16-5
  - drive clutch spring 10-3
  - drive clutch weight 10-3
  - drive hub 10-3
  - drive unit bumper 13-3, 13-5, 13-7
  - driven clutch 10-7
  - driven clutch button 10-7
  - driven clutch cam 10-7
  - driven clutch cam puller 16-5
  - driven clutch fixed-face assembly 10-7
  - driven clutch puller plug 16-5
  - driven clutch spring compression base tool 16-5

# INDEX

driven clutch spring compression collar tool 16-5  
driven clutch spring compression nut tool 16-5  
driver, drive clutch 10-3  
drum, brake 4-3  
dry moly lubricant 16-7  
dust cover 4-3, 5-3

## E

E-clip 4-7  
electrical box cover 6-7  
electrical component box 6-7  
end bell, commutator 6-11  
end bell, output shaft 6-11  
end cap, motor 13-3, 13-5, 13-7  
end shield  
    motor 13-3  
end, tie rod 5-7  
engine 7-3  
engine mounting plate 7-15  
engine shroud 7-3  
engine valve spring 7-9  
equalizer rod 4-7  
equalizer, brake cable 4-7  
exhaust system 9-3  
exhaust valve 7-9  
extrusion 12-15

## F

face, moveable 10-3, 10-7  
fan housing 7-3  
fan shroud 7-3  
fan, flywheel 7-5  
fender, inner 1-13, 1-15  
field coil 6-11  
field coil housing 6-11  
fill plug 11-3  
filter  
    air 8-9  
    fuel 8-13  
    oil 7-7  
fitting, thread-forming grease 5-11  
fixed-face, drive clutch 10-3  
fixed-face, driven clutch 10-7  
float 8-3  
floor mat 1-7, 1-13, 1-15  
flywheel 7-5  
flywheel fan plate 7-5  
flywheel puller 16-7  
FNR handle 11-9  
FNR housing 12-17  
FNR shifter base 11-9  
foam, seat 1-11  
fork, shift 11-5  
Forward/Reverse shifter 11-9

frame and field assembly (motor) 13-5, 13-7  
frame and field, starter/generator 6-13  
front body 1-3  
front body support 1-13, 1-15  
front bumper 1-3  
front bumper kit 1-3  
front spring retainer plate 5-9  
front suspension 5-7  
F-terminal hardware 6-11  
f-terminal insulator 6-11  
fuel filter 8-13  
fuel line 8-5, 8-13  
fuel tank 8-13  
fuel tank cap 8-13  
fuel tank strap 8-13  
fuel tank vent 8-13  
fuse 12-11, 15-7, 15-9, 15-11  
    10-amp 6-7  
    3/8-amp 12-11  
    charger 15-3, 15-5  
fuse block 6-7

## G

gasket 14-3  
    carburetor mounting 8-3, 8-5  
    crankcase cover 7-9, 7-11  
    drain plug 7-7, 11-3  
    exhaust 7-9, 9-3  
    head 7-9  
    insulator 7-9, 8-5  
    liquid 11-3, 14-3, 16-7  
    oil pump 7-7  
    rocker case 7-9  
    seat 1-11  
gasket kit, FE290 7-9  
gasket, controller cover 12-15  
gauge, compression 16-5  
gear  
    case 11-3, 14-3  
    cluster idler 11-5  
    differential 11-7, 14-3  
    differential idler 11-7, 14-3  
    differential output 14-3  
    helical 7-13, 11-5, 11-7  
    spur 7-13, 11-5  
    synchro 11-5  
gear yoke 16-7  
governor 11-5  
governor arm 11-3  
governor cable 8-7  
governor cable bracket 8-7  
governor shaft installation tool 16-7  
governor shield 8-5  
grip, pencil 5-5  
grommet 8-13  
guide

choke lever 8-11  
intake valve 7-9  
    valve seat cutter 16-11  
guide ring adhesive 16-3

## H

handle, battery charger 15-5  
handle, FNR 11-9  
hanger, brake cable 4-7, 5-13, 5-15  
hardware kit, charger 15-3  
hardware, F-terminal 6-11  
harness, wire 6-5, 6-7, 12-5  
head gasket 7-9  
head, FE290 7-9  
heatsink 15-5  
heatsink and rectifier 15-7, 15-9, 15-11  
helical gear 7-13, 11-5, 11-7  
hill brake rod 4-5  
hill brake weld assembly 4-5  
hinge plate 1-11, 1-13, 1-15  
hold-down, battery, 12-volt 12-13  
holder, cup 1-9  
hoop, bag 1-17  
hose, air intake 8-9  
hose, fuel 8-13  
housing  
    2-pin 12-9  
    3-pin 12-9, 13-3, 13-5, 13-7  
    6-pin 12-15  
    differential 14-3  
    fan 7-3  
    field coil 6-11  
hub 5-11  
hub, synchronizer clutch 11-5  
hubcap 5-11  
hydraulic brake adjuster 16-7  
hydrometer 16-7

## I

idle screw assembly 8-3  
idler bearing 10-3  
idler gear, differential 14-3  
ignition coil 7-5  
inner frame snubber 7-15  
input shaft 14-3  
insert, synchronizer 11-5  
instrument panel 1-7  
insulated bushing 13-3  
insulator gasket 7-9, 8-5  
insulator, carburetor 8-5, 13-3  
intake pipe 8-5  
intake valve 7-9  
intermediate shaft 14-3  
internal retaining ring pliers 16-7  
IQ display module (IQDM) 16-7

# INDEX

## J

J-bolt 12-13  
jet, main 8-3  
jet, pilot 8-3  
joint  
    ball 4-5, 4-13, 11-11

## K

key  
    crankshaft 7-5, 7-13  
    driven clutch 10-7  
    On/Off 6-9, 12-7  
    square 10-7  
    starter/generator 6-11  
    woodruff 11-3  
key switch 6-9  
key switch cap 6-9, 12-7  
key switch, On/Off 12-7  
kick plate, body 1-13, 1-15  
kingpin 5-9  
kit  
    2-pin housing 12-9  
    3-pin housing 12-9, 13-3, 13-5, 13-7  
    6-pin housing 12-15  
    accelerator pivot rod 4-9, 4-11  
    brake cable 4-7  
    brake pedal 4-5  
    brake pedal adjustment tool 16-3  
    brake shoe retainer 4-3  
    clutch repair 10-7  
    differential gear case 11-7  
    drive clutch button 10-3  
    drive clutch weight 10-3  
    driven clutch button 10-7  
    front hub replacement 5-11  
    IQ display module (IQDM) 16-7  
    magnet and bearing 13-3  
    motor brush 13-5, 13-7  
    motor brush spring 13-5, 13-7  
    motor cover plate 13-5, 13-7  
    motor speed sensor 13-5, 13-7  
    motor terminal hardware 13-5, 13-7  
    neutral lockout cam 11-9  
    park brake latch 4-5  
    park brake pedal 4-5  
    PD3 Cordest, AC 114" 15-3  
    PD3 Cordest, AC 80" 15-3  
    PD3 Cordest, DC 113" 15-3  
    PD3 Cordest, DC 154" 15-3  
    PD3 Cordest, DC 205" 15-3  
    PD3 hardware 15-3  
    PD3 wiring 15-3  
    reverse buzzer 6-9, 12-7  
    shock absorber 5-13, 5-15  
    shock absorber cushion 5-13, 5-15

steering column rebuild 5-3  
tune-up 16-9

## L

latch, air box 8-9  
latch, park brake 4-5  
L-bracket, motor 13-5  
legs, charger 15-3  
lever  
    change 11-3  
    choke 8-9, 8-11  
    transmission shifter 11-3  
light  
    battery warning 12-7  
    oil 6-9  
limit switch 6-7, 11-9  
limiter  
    current 15-11  
    RPM 7-5  
line, fuel 8-5, 8-13  
liquid gasket 11-3, 14-3, 16-7  
low oil warning light 6-9  
lubricant, dry moly 16-7  
lubricant, moly-teflon 13-3, 13-5, 13-7, 16-7  
lug nut 2-3  
lug stud 11-7, 14-3  
lug, compression 12-15

## M

magnet and bearing kit 13-3  
magnet, speed sensor 13-3, 13-5, 13-7  
main jet 8-3  
main nozzle 8-3  
mat, floor 1-7, 1-13, 1-15  
MCOR 12-9  
mechanism, brake adjusting 4-3  
meter, volt ohm 16-11  
module  
    calibration test 16-3  
    communication display 16-5  
moly-teflon lubricant 16-7  
motor  
    48-volt 13-3  
    48-volt IQ 13-5, 13-7  
motor armature 13-3  
motor brush 13-3  
motor brush kit 13-5, 13-7  
motor brush spring kit 13-5, 13-7  
motor bumper 13-3, 13-5, 13-7  
motor end cap 13-3, 13-5, 13-7  
motor end shield 13-3  
motor L-bracket 13-5  
motor magnet, speed sensor 13-3, 13-5, 13-7  
motor speed controller 12-15  
motor speed sensor 13-3, 13-5, 13-7

motor speed sensor kit 13-5, 13-7  
motor stator shell and winding 13-3  
motor terminal hardware kit 13-5, 13-7  
mounting block, brake 4-5  
moveable-face 10-3, 10-7  
muffler hose clamp 9-3

## N

nameplate kit, amber 3-3, 3-5  
needle bearing 11-5  
neutral lockout cam 11-9  
nozzle, main 8-3  
nut, lug 2-3

## O

OBC 12-15  
OBC, onboard computer 12-15  
oil filler tube 7-3  
oil filter 7-7  
oil filter mount bracket 7-7  
oil filter screen 7-11  
oil filter screen plate 7-11  
oil level sensor 7-11  
oil level switch bracket 7-11  
oil pump and rotor 7-7  
oil pump cover 7-7  
oil pump gasket 7-7  
oil pump plate 7-7  
oil seal 7-9, 7-13, 11-3, 11-5  
oil warning light, low 6-9  
onboard computer 12-15  
O-ring 7-3, 7-9, 7-11, 7-13

## P

pad  
    accelerator pedal 4-9, 4-11  
    brake pedal 4-5  
    park brake 4-5  
    wear 1-5, 1-13, 1-15  
paint, touch-up 16-7  
park brake latch 4-5  
park brake pedal 4-5  
park brake rod sleeve 4-5  
park brake spacer 4-5  
park brake torsion spring 4-5  
pawl 4-5  
pedal, accelerator 4-9, 4-11  
pedal, brake 4-5  
pedal, park brake 4-5  
pencil grip 5-5  
pilot air screw 8-3  
pilot jet 8-3  
pin, differential 11-7  
pin, piston 7-13  
pinion, steering 5-17

# INDEX

pipe, intake 8-5  
piston 7-13  
piston ring 7-13  
piston ring compressor 16-9  
piston ring pliers 16-9  
pivot arm 11-3  
pivot support bearing 4-9, 4-11  
plate  
    backing (brake) 4-3  
    body kick 1-13, 1-15  
    bumper mounting 1-5  
    component mounting 12-15  
    cover 13-5, 13-7  
    engine mounting 7-15  
    flywheel fan 7-5  
    front spring retainer 5-9  
    hinge 1-11, 1-13, 1-15  
    oil filter screen 7-11  
    oil pump 7-7  
    receptacle backing 12-11  
    score card 5-5  
    spring mounting 5-9  
    thrust 11-5, 11-7  
pliers  
    internal retaining ring 16-7  
    piston ring 16-9  
    retaining ring 16-9  
plug  
    6-pin 12-15  
    drain 7-7  
    driven clutch puller 16-5  
    fill 11-3  
    rubber drain 6-13  
    spark 7-5  
pole set 6-11  
positioner, choke 8-11  
press weldment 16-5  
protector spray, battery terminal 16-3  
puller  
    bearing 16-3  
    clutch 16-3  
    drive clutch 16-5  
    drive clutch hub 16-5  
    driven clutch cam 16-5  
    flywheel 16-7  
    seal 16-9  
    special use tool 16-9  
pulley 6-13  
    clutch 10-3  
    starter-generator 6-11  
push rod 7-9

**R**  
rack guide pressure spring 5-17  
rack, steering 5-17  
ratchet, park brake 4-5

reamer, valve guide 16-9  
rear bumper 1-5  
rear spring shackle 5-13, 5-15  
receptacle 12-11  
receptacle backing plate 12-11  
receptacle, AC cord 15-11  
receptacle, battery charger 12-11  
rectifier with heatsink 15-7, 15-9, 15-11  
regulator, voltage 6-7  
relay 15-9, 15-11  
relay mounting bracket 15-9  
relay, charger board 15-3  
remover, bearing and oil seal 16-3  
resistor assembly 12-15  
retainer  
    accelerator pedal spring 4-9, 4-11  
    bearing 13-3  
    brake shoe 4-3  
    cable 11-11  
    shock absorber cushion 5-13, 5-15  
    spring (drive clutch) 10-3  
    valve spring 7-9  
retaining ring 5-3  
retaining ring pliers 16-9  
return spring bumper 4-9, 4-11  
reverse buzzer 6-9, 12-7  
rigging, brush 13-3  
rim, wheel, white 2-3  
ring  
    piston 7-13  
    retaining 5-3, 6-7, 10-3, 10-7, 11-9  
    snap 5-17, 7-9, 7-13  
    spiral backup 10-3  
    synchronizer 11-5  
ring, C-type stop 5-17  
rivet, blind push 1-3  
rocker arm 7-9  
rocker case 7-9  
rocker case gasket 7-9  
rocker shaft 7-9  
rocker switch 12-17  
rod  
    accelerator 4-13  
    accelerator pivot 4-9, 4-11  
    connecting 7-13  
    crankshaft 7-13  
    equalizer 4-7  
    hill brake 4-5  
    push 7-9  
    shift 11-5  
rotor, oil pump and 7-7  
RPM limiter 7-5  
RPM limiter bracket 7-5  
RPM limiter damper 7-5  
RPM limiter mount band 7-5

## S

safety first card 16-9  
score card clip 5-5  
score card plate 5-5  
screen, oil filter 7-11  
screw, valve clearance adjuster 16-9  
scuff guard 1-23  
scuff guard kit, rear body 1-23  
seal  
    bearing 5-3  
    crankshaft 7-11  
    intake 8-9  
    lip 14-3  
    oil 7-9, 7-13, 11-3, 11-5, 11-7, 14-3  
    steering pinion dust 5-17  
seal puller 16-9  
sealant 11-3, 14-3  
seat  
    spring 7-9  
    valve 7-7  
seat back 1-17  
seat back cap 1-17  
seat bottom assembly 1-11  
seat bottom cover 1-11  
seat cover, vinyl 1-11  
seat cover, white 1-11  
seat foam 1-11  
seat gasket 1-11  
seat, bearing 5-3  
sensor, motor speed 13-3, 13-5, 13-7  
sensor, oil level 7-11  
sensor, speed 13-3  
set, brush and screw 6-11  
set, pole 6-11  
shackle, rear spring 5-13, 5-15  
shaft  
    change 11-3  
    counterbalance guide 7-13  
    input 14-3  
    intermediate 14-3  
    rocker 7-9  
    transmission 11-5  
shield, governor 8-5  
shift fork 11-5  
shift rod 11-5  
shifter base, FNR 11-9  
shifter bracket 11-3, 11-11  
shim, crankshaft 7-13  
shock absorber 5-7  
shock absorber (rear) 5-13, 5-15  
shock absorber cushion 5-13, 5-15  
shock absorber cushion retainer 5-13, 5-15  
shock mounting bracket 5-13, 5-15  
shoe, brake 4-3  
shroud, engine 7-3

# INDEX

- shroud, fan 7-3
  - sleeve
    - delta A-plate 5-7
    - governor 11-5
    - park brake rod 4-5
    - synchronizer 11-5
  - snap ring 5-17, 7-9, 7-13
  - snubber bracket 7-15
  - snubber, inner frame 7-15
  - solenoid, 12-volt 6-7
  - solenoid, 48-volt 12-15
  - spacer
    - accelerator pivot rod 4-9, 4-11
    - park brake 4-5
  - spanner wrench 16-9
  - spark plug 7-5
  - spark plug cap 7-5
  - speed controller 12-15
  - speed controller connector 12-15
  - speed controller cover 12-15
  - speed sensor 13-3, 13-5, 13-7
  - speed sensor magnet 13-3, 13-5, 13-7
  - speed sensor, motor 13-3, 13-5, 13-7
  - spiral backup ring 10-3
  - spray, battery terminal protector 16-3
  - spring
    - accelerator return 4-9, 4-11
    - brake 4-3
    - brake return 4-7
    - brush 6-11, 6-13, 13-3, 13-5, 13-7
    - compression 5-5, 8-11
    - drive button 10-3
    - drive clutch 10-3
    - driven clutch 10-7
    - engine valve 7-9
    - extension return 8-9
    - forward/reverse cam 11-9
    - park brake torsion 4-5
    - rack guide pressure 5-17
    - shifter 11-5
    - steering shaft compression 5-3
    - synchronizer 11-5
    - throttle return 8-5
  - spring cup 4-9, 4-11
  - spring mounting plate 5-9
  - spur gear 7-13, 11-5
  - stand-offs, plastic 15-3
  - starter/generator 6-11
  - starter/generator (cw) 6-13
  - starter/generator belt 6-15, 10-3
  - starter/generator brush cover kit 6-13
  - starter/generator brush plate 6-13
  - starter/generator brush spring 6-13
  - starter/generator brush terminal 6-13
  - starter/generator frame and field 6-13
  - starter/generator mounting bracket 6-15
  - starter/generator pulley 6-11
  - stator shell and winding 13-3
  - steel bushing 5-9, 5-13, 5-15
  - steel pressure relief ball 7-7
  - steering column 5-3
  - steering column bearing press tool 16-9
  - steering column retaining ring tool 16-9
  - steering gear box 5-17
  - steering pinion 5-17
  - steering pinion dust seal 5-17
  - steering rack 5-17
  - steering shaft assembly 5-3
  - steering shaft column 5-3
  - steering shaft compression spring 5-3
  - steering wheel 5-5
  - steering wheel puller tool 16-9
  - stem, valve 2-3
  - stiffener, flywheel side 7-15
  - strap, A-plate 5-7
  - strap, fuel tank 8-13
  - stud 7-15
    - lug 11-7, 14-3
  - stud, ball 6-7, 11-3, 11-9
  - support yoke (steering) 5-17
  - support, front body 1-13, 1-15
  - suppressor, voltage 15-7, 15-9, 15-11
  - suspension, front 5-7
  - sweater basket 1-17
  - switch
    - four-position 15-9, 15-11
    - key 6-9, 12-7
    - limit 6-7, 11-9
    - rocker 12-17
    - Tow/Run 12-17
  - switch rubber boot 12-17
  - synchro gear 11-5
  - synchronizer clutch hub 11-5
  - synchronizer insert 11-5
  - synchronizer sleeve 11-5
  - synchronizer spring 11-5
  - system, exhaust 9-3
- ## T
- 12-volt battery 6-17
  - 12-volt solenoid 6-7
  - tachometer 16-9
  - tachometer probe, diesel 16-9
  - tank, fuel 8-13
  - tappet 7-11
  - tester, continuity 16-5
  - thermometer, battery 16-3
  - thread-forming grease fitting 5-11
  - throttle return spring 8-5
  - throttle spring return bracket 8-5
  - thrust bearing 5-9
  - thrust plate 11-5, 11-7
  - tie rod end 5-7
  - tie wrap 5-17, 6-7, 12-7, 12-15, 12-17
  - tire 2-3
  - tire and wheel assembly 2-3
  - tool
    - accelerator pedal adjustment 16-3
    - belt tensioning, starter/generator 16-11
    - brake adjustment 16-3
    - brake cable release 16-3
    - brake pedal adjustment 16-3
    - brake pedal tension 16-3
    - cam installation 16-3
    - carburetor float level 16-7
    - charger bezel 16-3
    - clutch alignment 16-5
    - cT-wrench 16-5
    - drive clutch fixed sheave 16-5
    - drive clutch holder 16-5
    - drive clutch spider removal 16-5
    - driven clutch spring compression base 16-5
    - driven clutch spring compression collar 16-5
    - driven clutch spring compression nut 16-5
    - governor shaft installation 16-7
    - puller, special use 16-9
    - steering column bearing press 16-9
    - steering column retaining ring 16-9
    - steering wheel puller 16-9
    - transaxle axle seal 16-9
    - transaxle pinion seal 16-9
    - transmission 16-9
    - valve guide driver 16-9
    - valve seat cutter 16-5
  - tool kit, clutch 16-5
  - touch-up paint 16-7
  - Tow/Run switch 12-17
  - Tow/Run switch bracket 12-17
  - transaxle 14-3
  - transaxle axle seal tool 16-9
  - transaxle housing 14-3
  - transaxle pinion seal tool 16-9
  - transaxle, unitized 11-3
  - transformer, battery charger 15-5, 15-7, 15-9, 15-11
  - transmission cable 11-11
  - transmission shaft 11-5
  - transmission tool 16-9
  - trim
    - cowl 1-3
  - tube
    - crankcase vent 8-5
    - oil filler 7-3
  - tune-up kit 16-9
  - T-wrench tool 16-5

# INDEX

## U

u-bolt 5-13, 5-15  
unitized transaxle 11-3  
upper delta clevis 5-9  
urethane bushing 5-7, 5-9, 5-13, 5-15

## V

valve  
choke 8-9  
exhaust 7-9  
fuel pickup tube 8-13  
intake 7-9  
reed 7-9  
valve clearance adjuster screw 16-9  
valve guide driver tool 16-9  
valve guide reamer 16-9  
valve guide, intake 7-9  
valve seat 7-7  
valve seat cutter 16-5, 16-11  
valve seat cutter guide 16-11  
valve seat cutter tool 16-5  
valve seat t-wrench 16-11  
valve spring compressor 16-11  
valve spring retainer 7-9  
valve stem 2-3  
vent barb 8-13  
volt ohm meter 16-11  
voltage regulator 6-7  
voltage suppressor 15-7, 15-9, 15-11

## W

warning light, low oil 6-9  
wear pad 1-5, 1-13, 1-15  
wedge, bearing puller 16-3  
weight  
clutch 10-3  
counterbalance 7-13  
secondary clutch 10-3  
weldment  
press 16-5  
wheel 2-3  
wheel and tire assembly 2-3  
wheel rim, white 2-3  
wheel, steering 5-5  
windshield frame 1-19  
windshield frame pad 1-19  
wire harness 6-5, 6-7, 12-5  
wiring, charger 15-3  
woodruff key 11-3  
wrap, tie 5-17, 6-7, 12-7, 12-15, 12-17  
wrench, spanner 16-9

## Y

yoke, gear 16-7  
yoke, support (steering) 5-17





**Club Car, Inc.**  
P.O. Box 204658  
Augusta, GA 30917-4658  
USA

**Web** [www.clubcar.com](http://www.clubcar.com)  
**Phone** 1.706.863.3000  
1.800.ClubCar  
**Int'l** +1 706.863.3000  
**Fax** 1.706.863.5808