



2007
Precedent Golf Car
Illustrated Parts List



Gasoline and Electric Vehicles

Manual Number 103209001
Edition Code 0507M0310L

USING THE ILLUSTRATED PARTS LIST

⚠ WARNING

- **This manual is to be used only for identification and ordering of service parts. Be sure to read and use the maintenance and service manual before attempting any vehicle repairs.**

This manual covers all 2007 Club Car® Precedent® Professional and Champion vehicles.

The manual is divided into 17 sections. Sections 1 through 5 pertain to both gasoline and electric vehicles, sections 6 through 12 pertain to gasoline vehicles only, sections 13 through 16 pertain to electric vehicles only, and section 17 pertains to tools that are used on all Club Car products. Note that there are two or three flags on the outside edge of each page. The first flag contains the section number of which that page is a part. The other flag (or flags) contains either the letter G or E, signifying that the page pertains to either the gasoline or electric vehicle only, or to both the gasoline and electric vehicles.

Use the Table of Contents to find the sections and pages that contain the parts and assemblies you seek. The Table of Contents lists section numbers, and under them, the individual page titles and numbers to be found in that section. The index can be used to find specific parts and assemblies. The index is divided into numerical and alphabetical listings with the page numbers in italic text.

There is a two-page spread for each individual page title in the Table of Contents. On the left-hand page is an illustration showing the parts in their relative positions; the parts are each tagged with an item number in a balloon. The right-hand page is the parts list page, and gives the page title at the top, then the item numbers (corresponding to the numbers on the illustration), part descriptions, and quantity of parts used. Some item numbers have more than one part number because several configurations of a component are represented together on one spread.

Note that a part description may be indented. This indentation corresponds to a parts assembly level indicated by the numbers 1, 2, 3, and 4 at the top left corner of the parts description area of the parts list page. A part that is indented to *level 2* is a component of the *level 1* part (assembly) that it is listed under. A *level 3* part is a component of the *level 2* part that it is listed under, and a *level 4* part is a component of the *level 3* part preceding it. In each case, the part quantity given for a level 2, 3, or 4 part is *the quantity used per next higher level assembly of which it is a component*. A part that is not indented is a *level 1* part. This means that the quantity given is the quantity used per the portion of the vehicle illustrated on that particular spread.

HOW TO ORDER PARTS

Replacement parts and accessories can be obtained from our network of authorized dealers and distributors. You can obtain the name and phone number of your closest authorized Club Car dealer or distributor by visiting our web site at www.clubcar.com and clicking on the "Distributor Search" link or by calling our toll-free Service Parts and Technical Assistance hotline at (800) 872-2246 or (706) 863-3000, extension 3887.



P. O. Box 204658
Augusta, Georgia 30917-4658 USA
Telephone 706-863-3000
Service Parts Fax 706-855-7413
www.clubcar.com

NOTE: *This illustrated parts list represents the most current information at the time of publication. Club Car, Inc. is continually working to further improve its vehicles and other products. These improvements may affect the parts used to service the vehicle. Any modification and/or significant change in specifications will be forwarded to all Club Car and Carryall distributors/dealers and will, when applicable, appear in future editions of this illustrated parts list.*

Club Car, Inc. reserves the right to change specifications and designs at any time without notice and without the obligation of making changes to units previously sold.

Copyright © 2007 Club Car, Inc.
Club Car, Precedent, and Surlyn
are registered trademarks of Club Car, inc.
This manual effective July 31, 2006.

2007 Precedent Gasoline and Electric Vehicle Illustrated Parts List

CONTENTS

SECTION 1 – BODY AND TRIM

| | |
|--|------|
| Front Bumper | 1-3 |
| Front Body | 1-5 |
| Dash – Style A | 1-7 |
| Floor Mat, Retainer, and Front Underbody – Style B | 1-9 |
| Kick Plate – Gasoline Vehicle | 1-11 |
| Kick Plate – Electric Vehicle | 1-13 |
| Seat with Hip Restraints | 1-15 |
| Backrest and Structural Accessory Module (SAM) | 1-17 |
| Rear Body | 1-19 |
| Underbody Covers (Vehicle Without Canopy) | 1-21 |
| Canopy Snap-In Drain Cover | 1-23 |
| Canopy – Beige | 1-25 |
| Canopy – White | 1-27 |
| Rear Seat – Precedent Villager 4 | 1-29 |
| Rear Footrest Assembly – Precedent Villager 4 | 1-31 |
| Four Passenger Conversion Kit – Beige | 1-33 |
| Four Passenger Conversion Kit – White | 1-35 |
| Four Passenger Conversion Kit – Gray | 1-37 |

SECTION 2 – WHEEL AND TIRES

| | |
|---------------------------------------|-----|
| Wheels and Tires – Professional | 2-3 |
| Wheels and Tires – Champion | 2-5 |

SECTION 3 – DECALS

| | |
|------------------------------------|-----|
| Decals – Gasoline Vehicle | 3-3 |
| Decals – Electric Vehicle | 3-5 |
| Decal – Precedent Villager 4 | 3-7 |

SECTION 4 – BRAKES AND PEDAL GROUP ASSEMBLIES

| | |
|--|------|
| Rear Brake Assembly, Self-Adjusting | 4-3 |
| Brake Cables | 4-5 |
| Pedal Group Connections – Gasoline Vehicle | 4-7 |
| Pedal Group Connections – Electric Vehicle | 4-9 |
| Pedal Group Components – Gasoline Vehicle | 4-11 |
| Pedal Group Components – Electric Vehicle | 4-13 |

CONTENTS

SECTION 5 – STEERING, FRONT AND REAR SUSPENSION

| | |
|--|------|
| Steering Wheel – Champion | 5-3 |
| Steering Wheel – Professional | 5-5 |
| Steering Column | 5-7 |
| Steering Column – Electric Vehicles | 5-9 |
| Steering Gear Assembly | 5-11 |
| Front Suspension, Upper | 5-13 |
| Front Suspension, Lower | 5-15 |
| Rear Suspension – Gasoline Vehicle | 5-17 |
| Rear Suspension – Electric Vehicle | 5-19 |
| Rear Suspension – Precedent Villager 4 | 5-21 |

SECTION 6 – ELECTRICAL SYSTEM – GASOLINE VEHICLE

| | |
|--|------|
| Electrical Components, Front Body – Gasoline Vehicle | 6-3 |
| Battery – Gasoline Vehicle | 6-5 |
| Wiring – Gasoline Vehicle | 6-9 |
| Instrument Panel Wire Harness | 6-13 |
| Starter/Generator Assembly Model G425419 – Gasoline Vehicles | 6-15 |
| Starter/Generator Mounting – FE350 | 6-17 |

SECTION 7 – AS11 FE350 ENGINE

| | |
|--|------|
| AS11 FE350 Engine without ACR (Automatic Compression Release) – Shrouds and Brackets | 7-3 |
| AS11 FE350 Engine – Ignition Components and Flywheel | 7-5 |
| FE350 Engine – Oil Circulation | 7-7 |
| AS11 FE350 Engine – Cylinder Head | 7-9 |
| AS11 FE350 Engine without ACR – Crankcase, Camshaft, and Oil Sensor | 7-11 |
| AS11 FE350 Engine – Crankcase and Crankshaft | 7-13 |
| FE350 Engine Mounting | 7-15 |

SECTION 8 – FUEL, INTAKE, AND GOVERNOR SYSTEMS

| | |
|---------------------------------------|------|
| Fuel System | 8-3 |
| Carburetor Assembly – FE350 | 8-5 |
| Carburetor Installation – FE350 | 8-7 |
| Governor and Accelerator Cables | 8-9 |
| Choke and Air Box Assembly | 8-11 |

SECTION 9 – EXHAUST SYSTEM

| | |
|------------------------------|-----|
| Exhaust System – FE350 | 9-3 |
|------------------------------|-----|

CONTENTS

SECTION 10 – TORQUE CONVERTER

| | |
|---------------------|------|
| Drive Clutch | 10-3 |
| Drive Belt | 10-5 |
| Driven Clutch | 10-7 |

SECTION 11 – UNITIZED TRANSAXLE

| | |
|--|-------|
| Unitized Transaxle – Gear Cases and Brackets | 11-3 |
| Unitized Transaxle – F&R Transmission and Gear Reduction | 11-5 |
| Transaxle – Gasoline Vehicles, Differential and Axles | 11-7 |
| Forward/Reverse Shifter Assembly – Gasoline Vehicle | 11-9 |
| Transmission Cable | 11-11 |

SECTION 12 – ELECTRICAL SYSTEM – ELECTRIC VEHICLE

| | |
|--|-------|
| Electrical Components, Front Body – Electric Vehicle | 12-3 |
| Wiring – Electric Vehicle | 12-7 |
| Forward/Reverse Switch and Tow/Run Switch – Electric Vehicle | 12-9 |
| Single Point Watering System | 12-11 |
| Batteries, Bucket, and Charger Receptacle – Electric Vehicle | 12-13 |
| Computer, Controller, and Solenoid – Electric Vehicle | 12-15 |

SECTION 13 – ELECTRIC MOTOR

| | |
|---|------|
| Motor (Model 5BC59JBS6365) – Electric Vehicle | 13-3 |
| Motor (Model 5BC59JBS6390) – Electric Vehicle | 13-5 |
| Motor (Model EJ4-4001) – Electric Vehicle | 13-7 |
| Motor (Model EJ8-4001A) – Electric Vehicle | 13-9 |

SECTION 14 – TRANSAXLE – ELECTRIC VEHICLES

| | |
|-------------------------------------|------|
| Transaxle – Electric Vehicles | 14-3 |
|-------------------------------------|------|

SECTION 15 – BATTERY CHARGER

| | |
|--|-------|
| PowerDrive 3 Battery Charger, Domestic | 15-3 |
| PowerDrive 2 Battery Charger (Model 22110), Domestic | 15-5 |
| PowerDrive Battery Charger (Model 17930), Domestic | 15-7 |
| PowerDrive Battery Charger (Model 18780), Export | 15-9 |
| PowerDrive Battery Charger (Model 20310), European | 15-11 |

CONTENTS

SECTION 16 – MAINTENANCE AND SERVICE TOOLS

| | |
|--|-------|
| Maintenance and Service Tools | 16-3 |
| Maintenance and Service Tools, Continued | 16-5 |
| Maintenance and Service Tools, Continued | 16-7 |
| Maintenance and Service Tools, Continued | 16-9 |
| Maintenance and Service Tools, Continued | 16-11 |

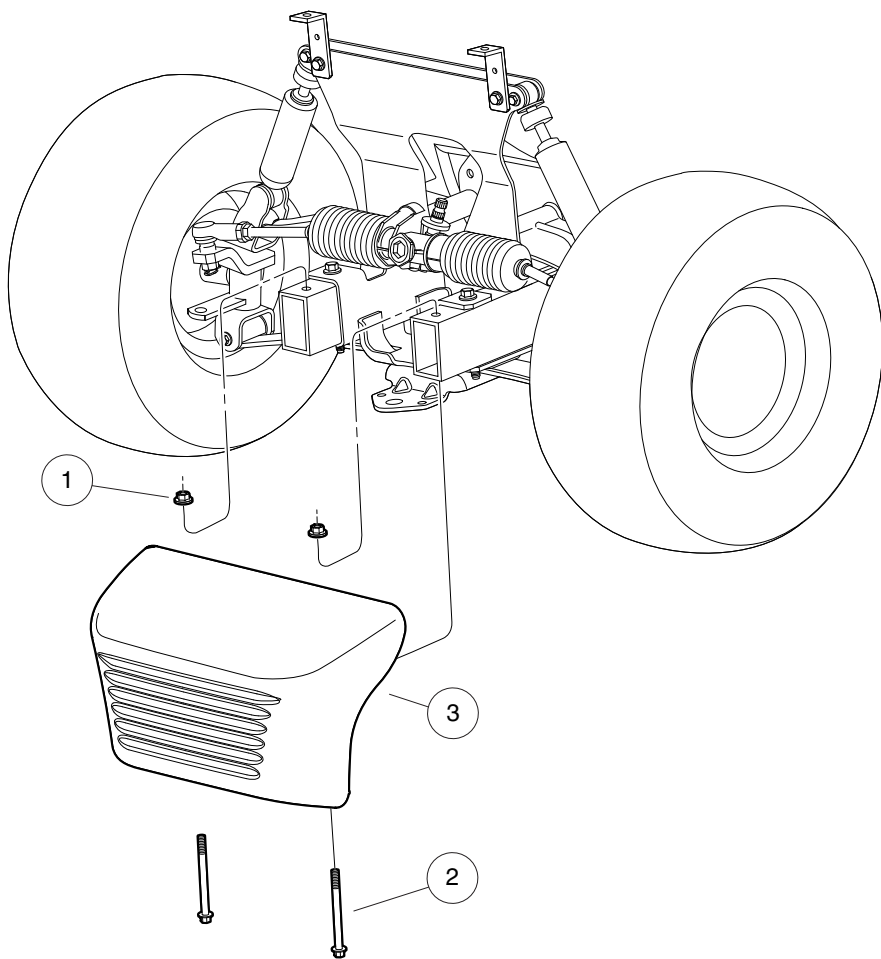
SECTION i – INDEX

BODY AND TRIM

1

G

E

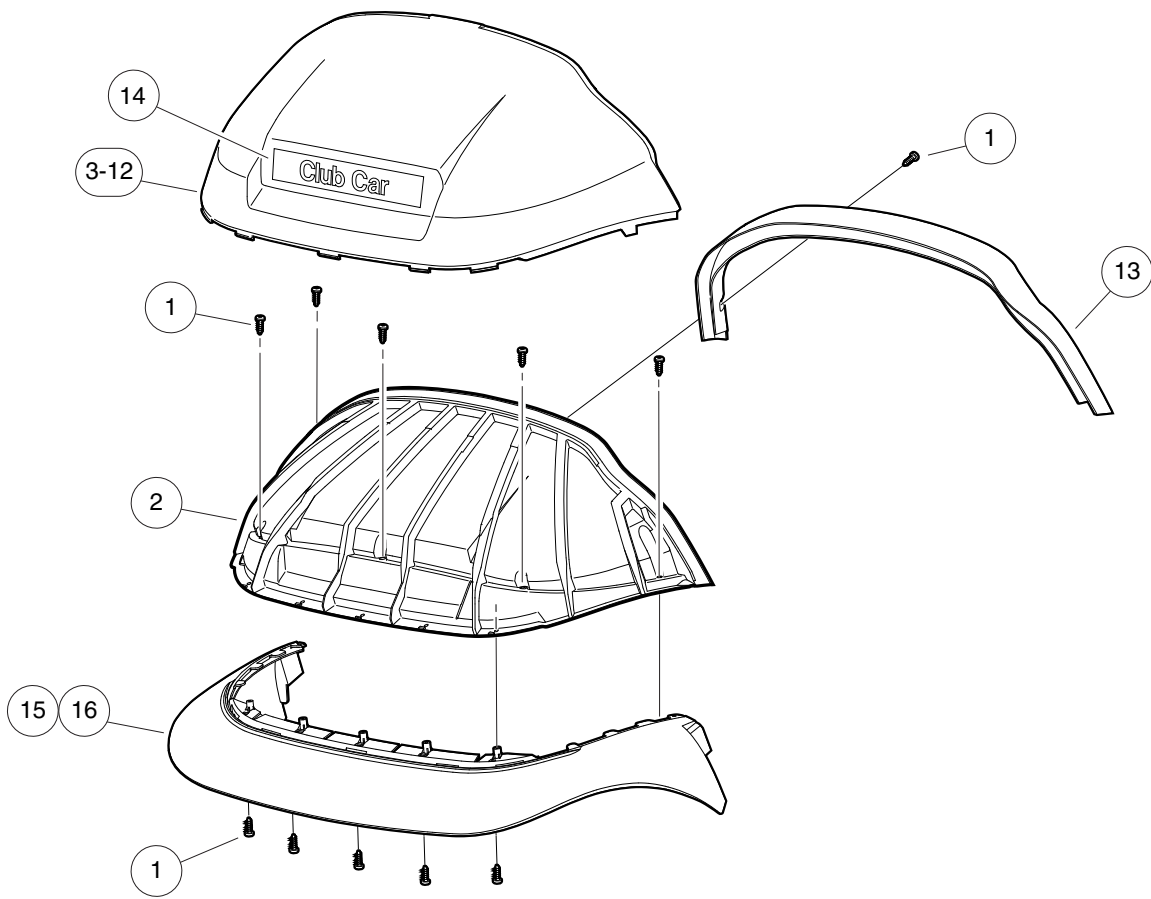


000437-001

FRONT BUMPER

| ITEM | PART NO. | DESCRIPTION | QTY |
|------|-----------|--|-----|
| 1 | 102298401 | 1 2 3 4 Nut,m8,all Metal Lock | 2 |
| 2 | 102534201 | Bolt - Fl Hd, M8 X 95 | 2 |
| 3 | 103330601 | Asm, Bumper, Front, Precedent | 1 |

1
G
E



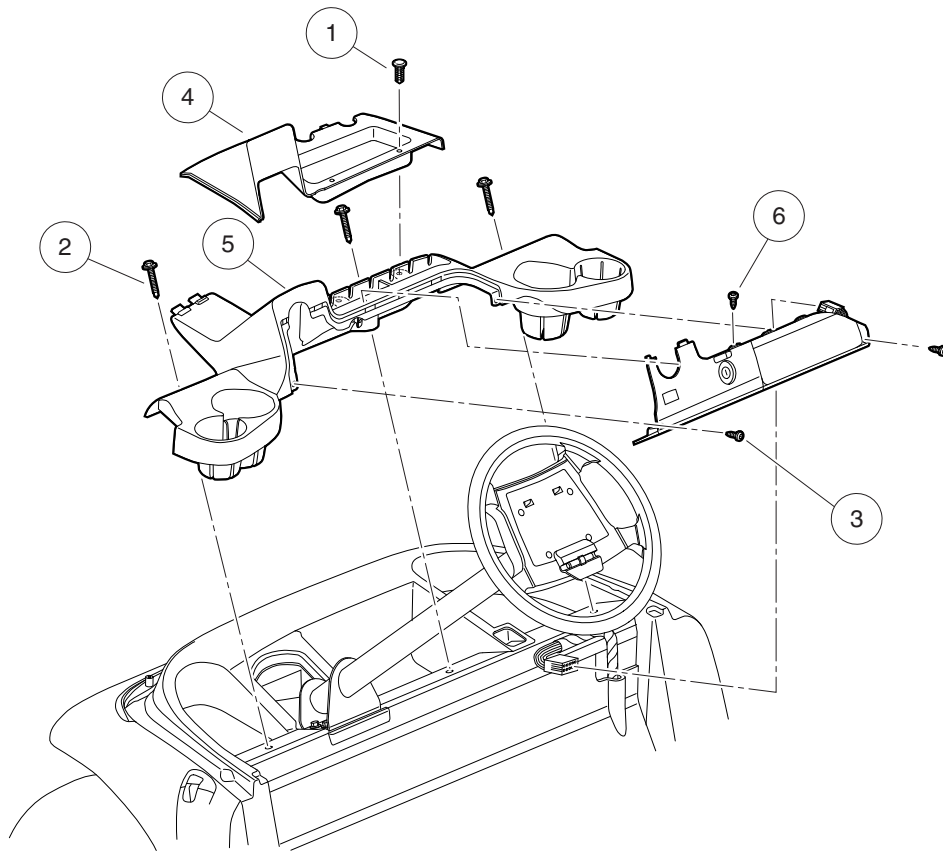
000434-001

FRONT BODY

| ITEM | PART NO. | DESCRIPTION | QTY |
|------|-----------|--------------------------------------|-----|
| | | 1 2 3 4 | |
| 1 | 102296020 | Screw, Torx Pan Hd Pt, M6 X 20 | 14 |
| 2 | 102501501 | Brow | 1 |
| 3 | 102502401 | Panel, Beauty Front, White | 1 |
| 4 | 102502402 | Panel, Beauty Front, Beige | 1 |
| 5 | 102502404 | Panel, Beauty Front, Gray | 1 |
| 6 | 102502405 | Panel, Beauty Front, Red | 1 |
| 7 | 102502406 | Panel, Beauty Front, Burgundy | 1 |
| 8 | 102502407 | Panel, Beauty Front, Green | 1 |
| 9 | 102502408 | Panel, Beauty Front, Blue | 1 |
| 10 | 102502409 | Panel, Beauty Front, Black | 1 |
| 11 | 102502411 | Panel, Beauty, Front, Cayenne | 1 |
| 12 | 102502413 | Panel-beauty Front, Atlantic | A/R |
| 13 | 102502501 | Brow Cap | 1 |
| 14 | 102502601 | Nameplate - Cs | 1 |
| 15 | 102534403 | Fascia, Grey | 1 |
| 16 | 102534404 | Fascia, Blk | 1 |

1
G
E

1
G
E



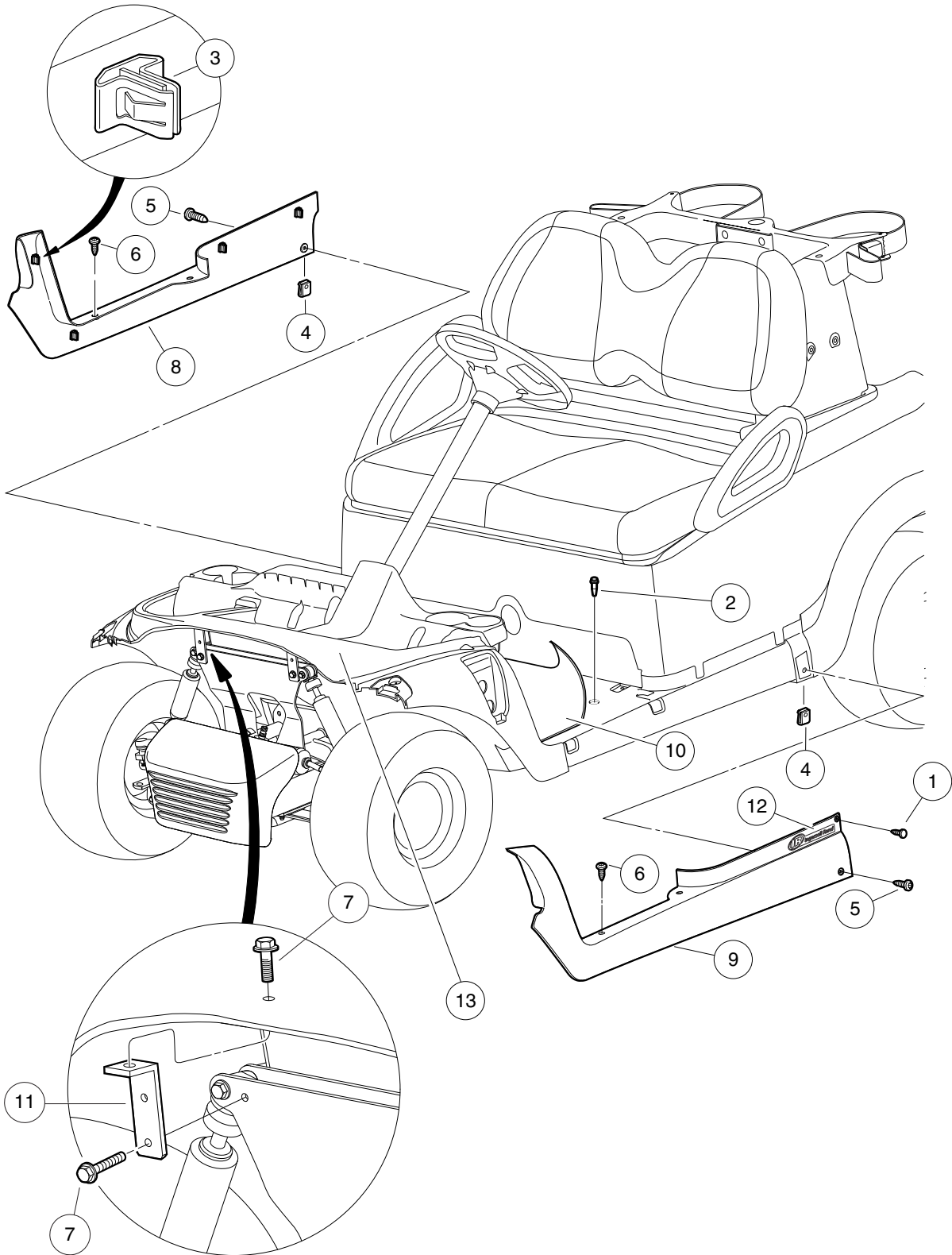
000438-001

DASH – STYLE A

| ITEM | PART NO. | DESCRIPTION | QTY |
|------|-----------|--|-----|
| | | 1 2 3 4 | |
| 1 | 1010434 | Barrel - Plastic | 2 |
| 2 | 102292356 | Screw-1/4-20x56 Hwh Self Drill | 3 |
| 3 | 102296819 | Screw-m6 X 19-pnhd Ab | 2 |
| 4 | 102380401 | Dash, Tray | 1 |
| 5 | 102523101 | Dash Assembly | 1 |
| 6 | 102557201 | Screw, #6-20 Type Abx1.00 Pan | 1 |
| | | <p>Note: Dash-style A should be used with front underbody-style A only. Underbody-style A is no longer available as a service part. If underbody needs to be replaced as well, order underbody-style B and dash-style B.</p> | |

1
G
E

1
G
E

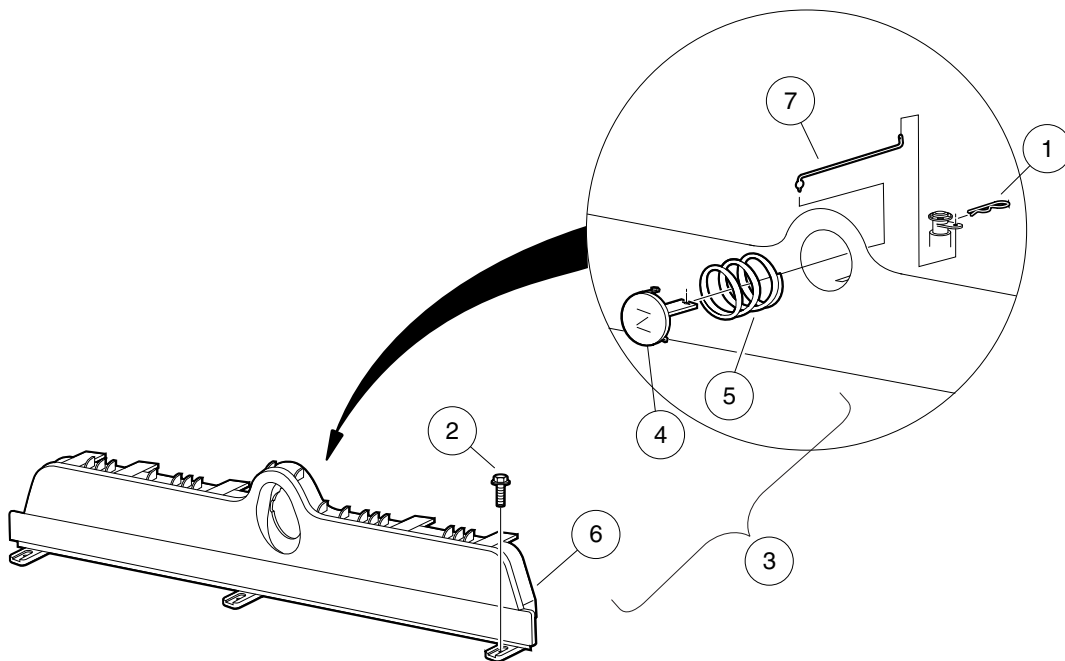


000497-001

FLOOR MAT, RETAINER, AND FRONT UNDERBODY – STYLE B

| ITEM | PART NO. | DESCRIPTION | QTY |
|--|-----------|--------------------------------------|-----|
| | | 1 2 3 4 | |
| 1 | 1010434 | Barrel - Plastic | 2 |
| 2 | 102292356 | Screw-1/4-20x56 Hwh Self Drill | 3 |
| 3 | 102292701 | Clip-body-trim | 8 |
| 4 | 102296601 | U-nut, M6-1.0 Prev Torque | 2 |
| 5 | 102296920 | Screw, M6 Torx Bttm Hd Sems | 2 |
| 6 | 102298020 | Screw, K80x20, Torx Pn Hd Pt | 4 |
| 7 | 102298716 | M8-1.25x16 Taptite | 4 |
| 8 | 102302504 | Retainer Asm-floormat Rh, Blk | 1 |
| 9 | 102302604 | Retainer Asm-floormat Lh, Blk | 1 |
| 10 | 102504802 | Floormat, Precedent | 1 |
| 11 | 102521901 | Bracket-clamshell | 2 |
| 12 | 102523901 | Decal, IR/Club Car | 2 |
| 13 | **** | Asm-front Underbody, Black | 1 |
| <p>**** Special order item available upon request.</p> <p>Note: Underbody-style B should be used with dash-style B only.</p> | | | |

1
G
E

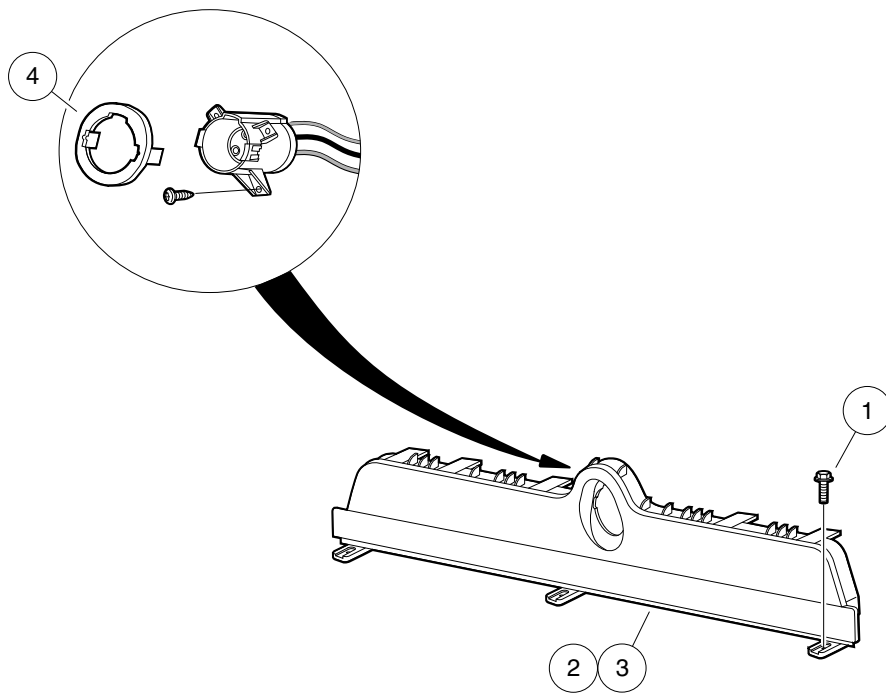


000501-001

KICK PLATE – GASOLINE VEHICLE

| ITEM | PART NO. | DESCRIPTION | QTY |
|------|-----------|--|-----|
| | | 1 2 3 4 | |
| 1 | 1014413 | Pin, Hair Spring Cotter | 1 |
| 2 | 102298030 | Screw, K80x30, Torx Pn Hd Pt | 3 |
| 3 | 102511702 | Asm-gas Kick Plate, Blk (includes items 4 through 6) | 1 |
| 4 | 101811401 | Lever, Choke | 1 |
| 5 | 101856201 | Compression Spring | 1 |
| 6 | N/A | Plate - Gas Kick, Blk | 1 |
| 7 | 102514401 | Rod, Choke Button | 1 |

1
G
E



000500-001

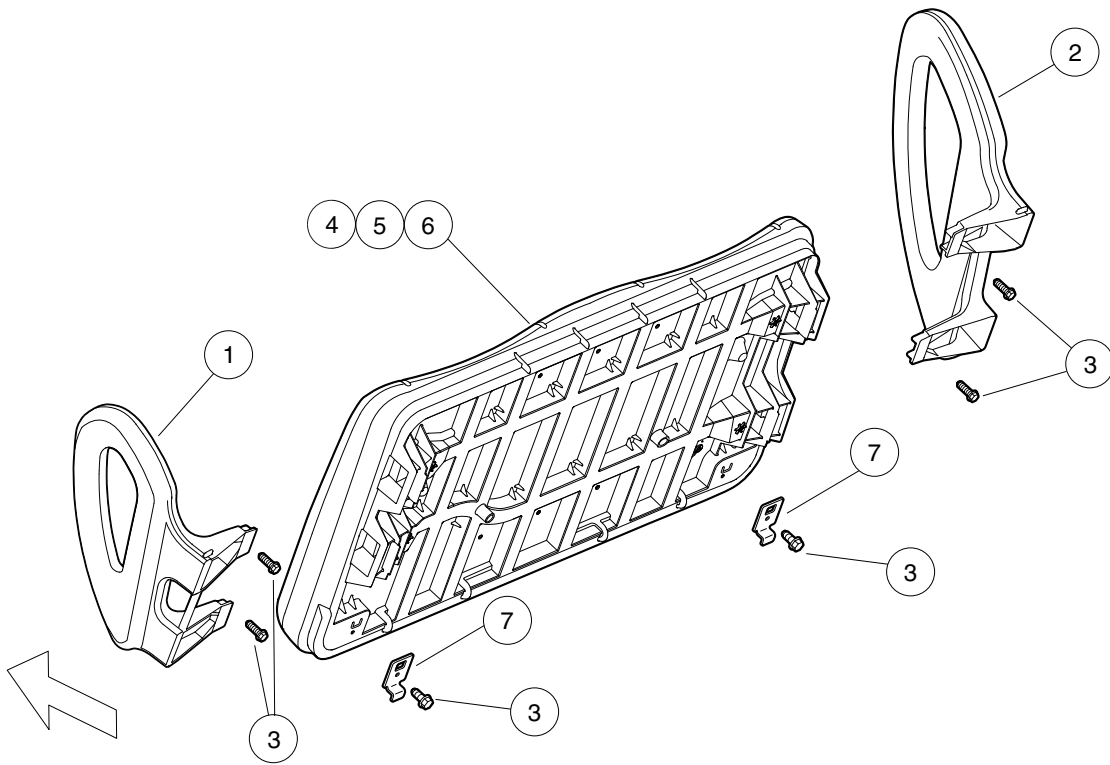
KICK PLATE – ELECTRIC VEHICLE

| ITEM | PART NO. | DESCRIPTION | QTY |
|------|-----------|------------------------------------|-----|
| | | 1 2 3 4 | |
| 1 | 102298030 | Screw, K80x30, Torx Pn Hd Pt | 3 |
| 2 | 102508201 | Plate - Electric Kick, Grey | 1 |
| 3 | 102508202 | Plate - Electric Kick Blk | 1 |
| 4 | 102516901 | Socket Trim | 1 |

1

G

E



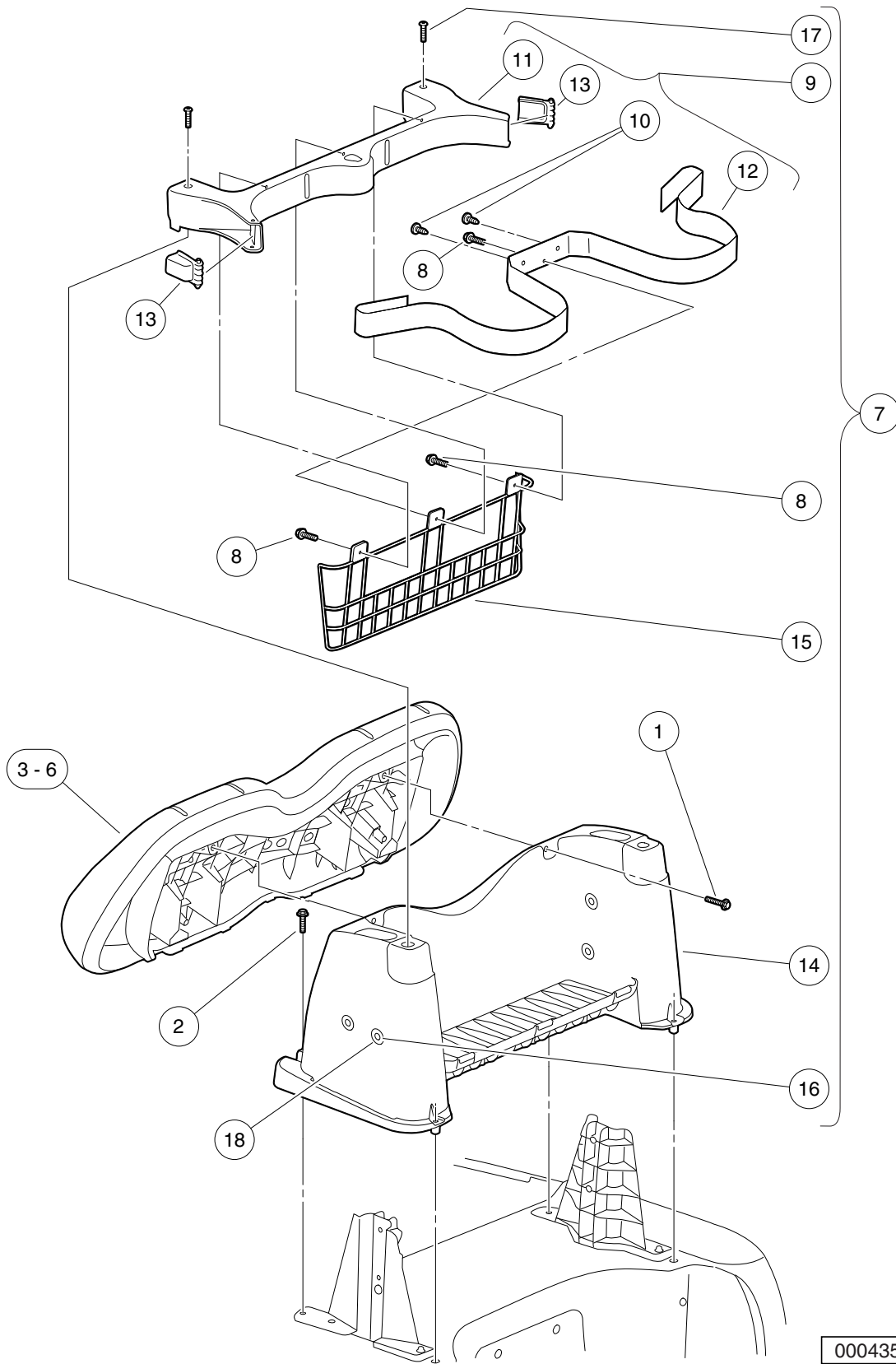
000440-002

SEAT WITH HIP RESTRAINTS

| ITEM | PART NO. | DESCRIPTION | QTY |
|------|-----------|-----------------------------------|-----|
| | | 1 2 3 4 | |
| 1 | 102562701 | Hip Restraint, Prec, Lh | 1 |
| 2 | 102562801 | Hip Restraint, Prec, Rh | 1 |
| 3 | 102562901 | Screw, Seat Bottom Prec | 6 |
| 4 | 103423001 | Seat Bottom Asy, Prec-beige | 1 |
| 5 | 103423002 | Seat Bottom Asy, Prec-white | 1 |
| 6 | 103423004 | Seat Bottom Asy, Prec-gray | 1 |
| 7 | 103447901 | Bracket, Hinge, Male, Prec | 2 |

1
G
E

1
G
E



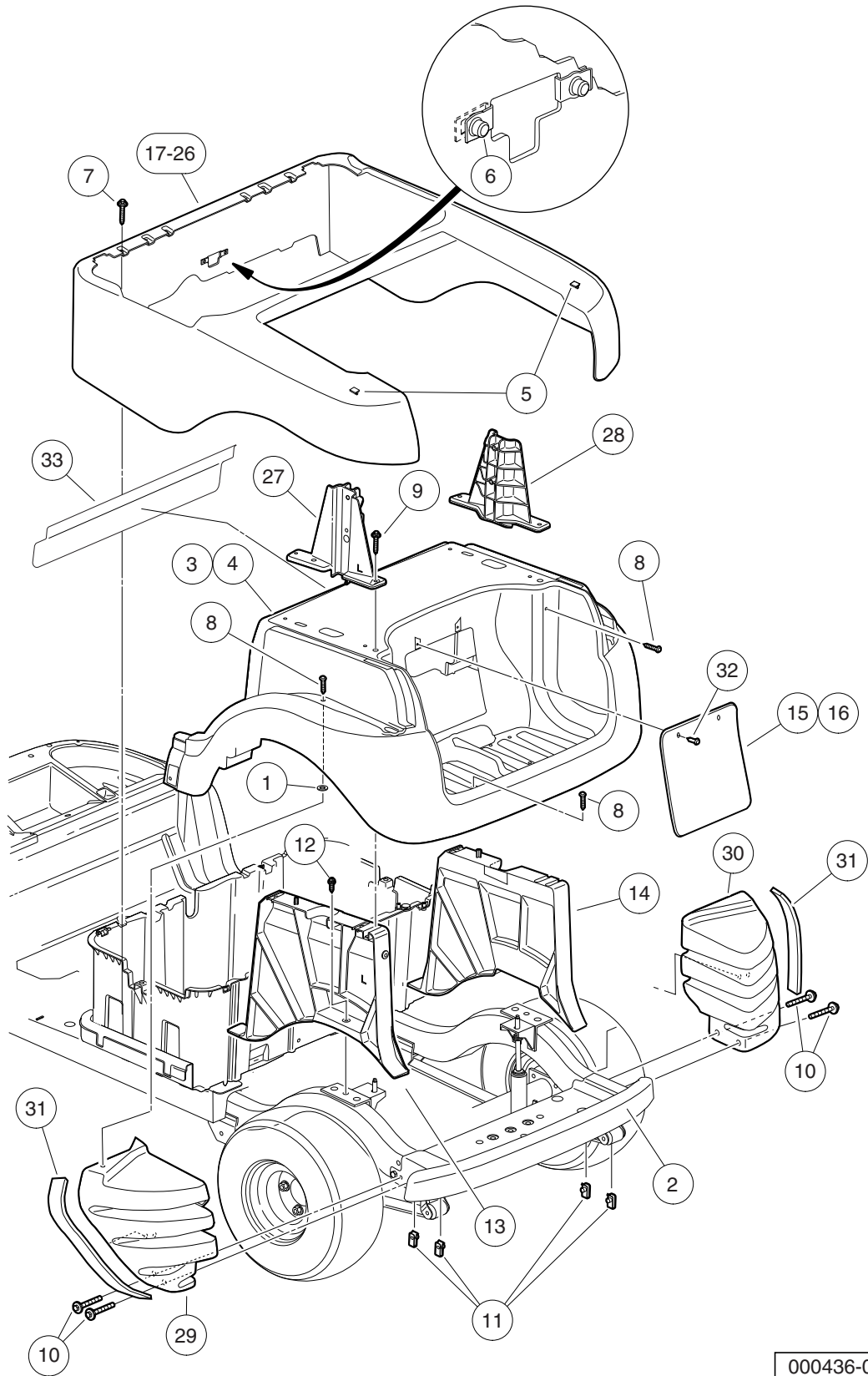
000435-001

BACKREST AND STRUCTURAL ACCESSORY MODULE (SAM)

| ITEM | PART NO. | DESCRIPTION | QTY |
|------|-----------|---|-----|
| | | 1 2 3 4 | |
| 1 | 102296530 | Screw - M6 X 1.0 X 30 Sems | 2 |
| 2 | 102298240 | Bolt, Flange Head, M8-1.25 X 40 | 4 |
| 3 | 102503221 | Service Backrest Asm, Beige | 1 |
| 4 | 102503222 | Service Backrest Asm, White | 1 |
| 5 | 102503224 | Service Backrest Asm, Gray | 1 |
| 6 | 102503225 | Service Backrest Asm-black | 1 |
| 7 | 102503901 | Asm-sam (includes items 8 through 17) | 1 |
| 8 | 102297125 | Screw M6-1.0x25.4 Thd Fm Sems | 3 |
| 9 | 102504001 | Asm-bag Hoop (includes items 10 through 13) | 1 |
| 10 | 1010434 | Barrel - Plastic | 2 |
| 11 | 102504201 | Hoop-bag | 1 |
| 12 | 102504301 | Strap, Bag | 1 |
| 13 | 102517001 | Buckle-bag Strap | 2 |
| 14 | N/A | Structural Accessory Module | 1 |
| 15 | 102504501 | Panel, SAM | 1 |
| 16 | 102551701 | Insert M6x1.0 | 4 |
| 17 | 103327601 | Screw, 5/16, Torx, Bosscrew | 2 |
| 18 | 102568701 | Barrel - Plastic 6mm | 8 |

1
G
E

1
G
E



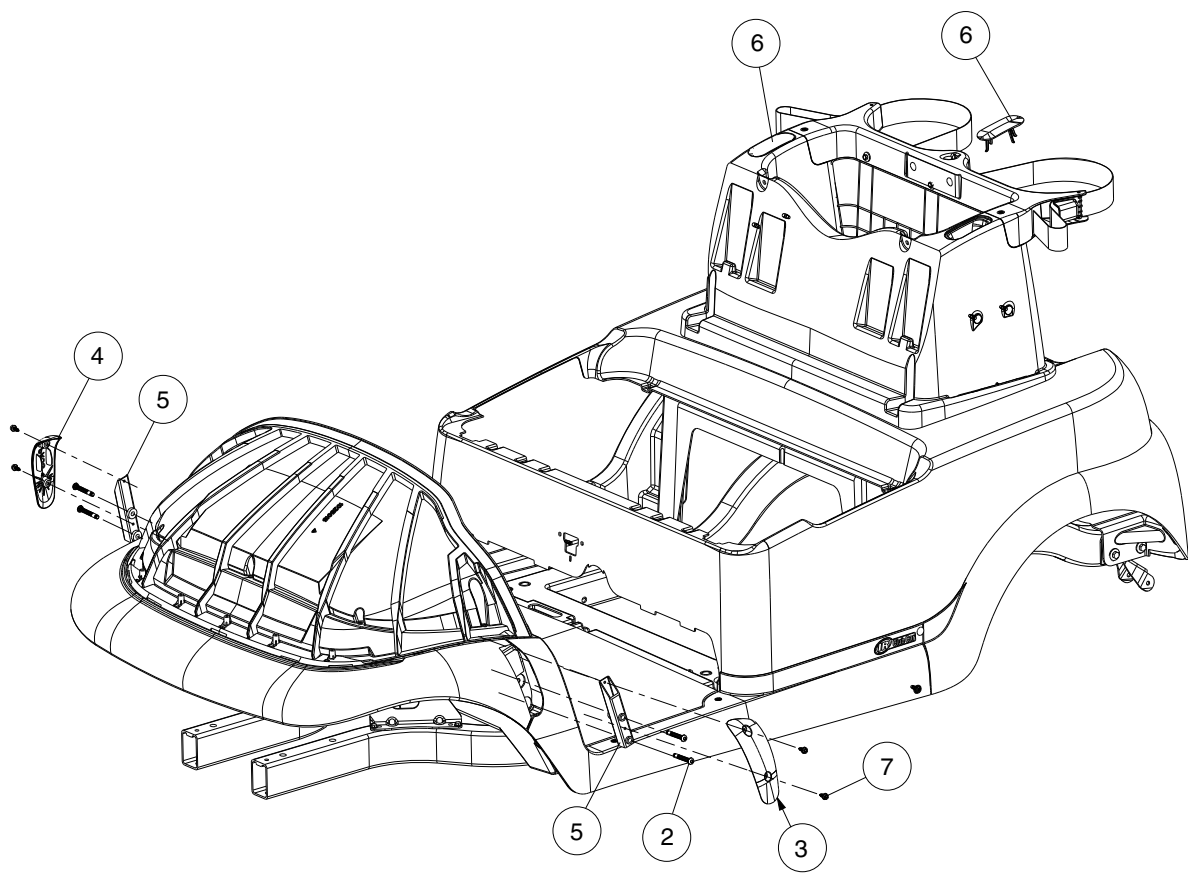
000436-002

REAR BODY

| ITEM | PART NO. | DESCRIPTION | QTY |
|------|-----------|--|-----|
| | | 1 2 3 4 | |
| 1 | 1012571 | Washer, 5/16 Extra Thick Flat | 2 |
| 2 | 102279001 | Rear Bumper Beam | 1 |
| 3 | 102279103 | Underbody - Rear, Grey | 1 |
| 4 | 102279104 | Underbody - Rear, Blk | 1 |
| 5 | 102292701 | Clip-body-trim | 2 |
| 6 | 102296601 | U-nut, M6-1.0 Prev Torque | 2 |
| 7 | 102297230 | Screw,m6,torx,interlock,thread | 4 |
| 8 | 102298030 | Screw, K80x30, Torx Pn Hd Pt | 6 |
| 9 | 102298240 | Bolt, Flange Head, M8-1.25 X 40 | 2 |
| 10 | 102298580 | M8-1.25 X 80 Sems | 4 |
| 11 | 102298601 | J-clip - M8 X 1.25 | 4 |
| 12 | 102298716 | M8-1.25x16 Taptite | 2 |
| 13 | 102500501 | Asm, Rear U/b Support, Lh | 1 |
| 14 | 102500601 | Asm, Rear U/b Support, Rh | 1 |
| 15 | 102501401 | Panel, Access, Gray | 1 |
| 16 | 102501402 | Panel, Access, Black | 1 |
| 17 | 102502301 | Panel, Beauty, Rear, White | 1 |
| 18 | 102502302 | Panel, Beauty, Rear, Beige | 1 |
| 19 | 102502304 | Panel, Beauty, Rear, Gray | 1 |
| 20 | 102502305 | Panel, Beauty, Rear, Red | 1 |
| 21 | 102502306 | Panel, Beauty, Rear, Burgundy | 1 |
| 22 | 102502307 | Panel, Beauty, Rear, Green | 1 |
| 23 | 102502308 | Panel, Beauty, Rear, Blue | 1 |
| 24 | 102502309 | Panel, Beauty, Rear, Black | 1 |
| 25 | 102502311 | Panel-beauty Rear, Cayenne | 1 |
| 26 | 102502313 | Panel-beauty Rear, Atlantic | 1 |
| 27 | 102502901 | Bracket, Canopy Support Left-Hand | 1 |
| 28 | 102503001 | Bracket, Canopy Support Right-Hand | 1 |
| 29 | 102545601 | Liner, Rear Underbody Lh | 1 |
| 30 | 102545602 | Liner, Rear Underbody Right-Hand | 1 |
| 31 | 102562101 | Tape, Foam Black 12" * | A/R |
| 32 | 102967901 | Rivet, Removable, Tuflok 1/4" | 2 |
| 33 | N/A | Diverter, Precedent Water | 1 |

1
G
E

* Note: Sold by the foot, 12 inches required per side

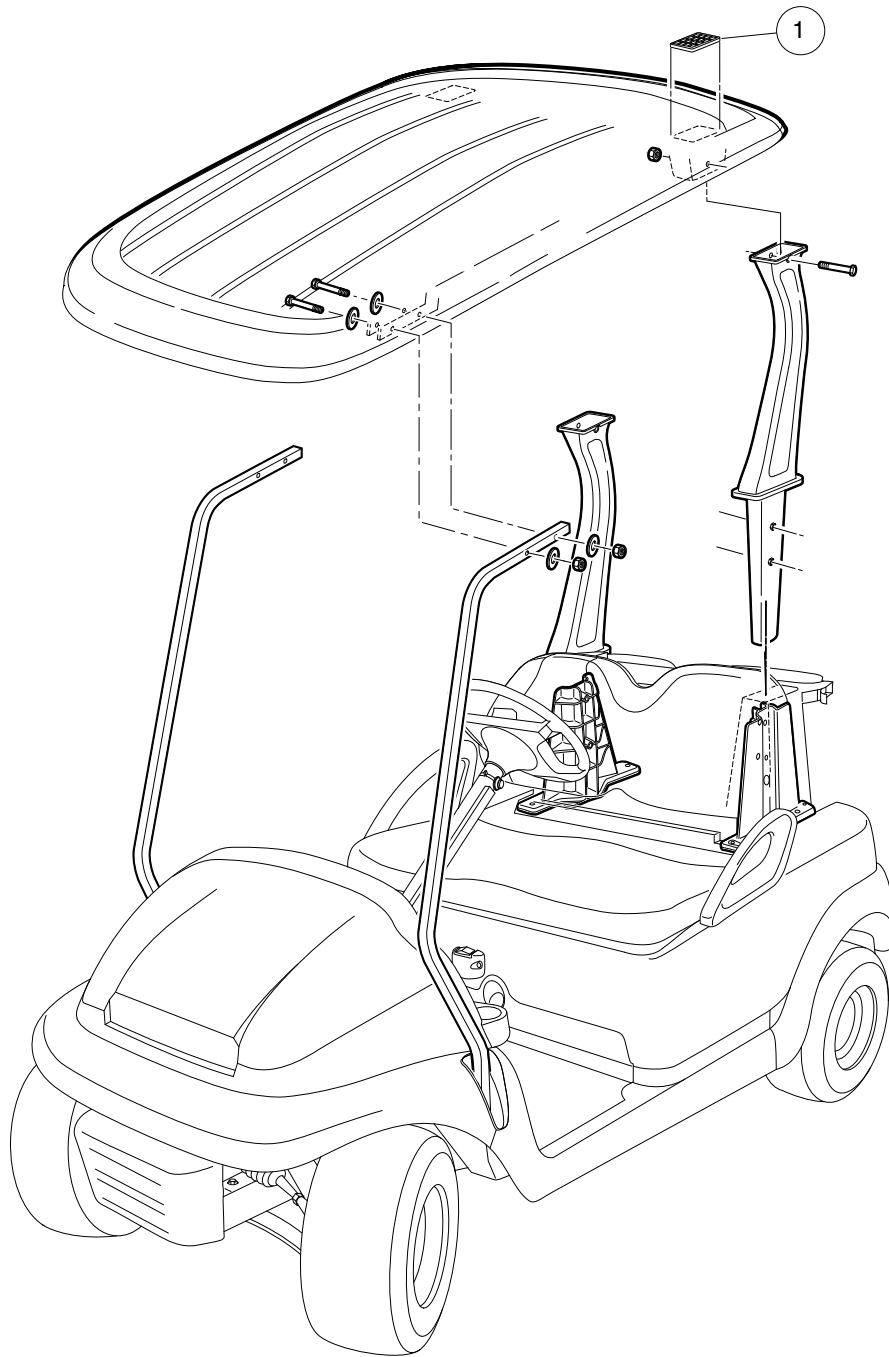


000730-001

UNDERBODY COVERS (VEHICLE WITHOUT CANOPY)

| ITEM | PART NO. | DESCRIPTION | QTY | |
|------|-----------|--|-----|----------|
| | | 1 2 3 4 | | 1 |
| 1 | 102543901 | Kit, Underbody Cover, Gray (includes items 2 through 7) | 1 | G |
| 2 | 102299065 | M8-1.25 X 65 Tx Bttn Hd Bolt | 4 | E |
| 3 | N/A | Cover, Lh Non-canopy, Grey | 1 | |
| 4 | N/A | Cover, Rh Non-canopy, Grey | 1 | |
| 5 | N/A | Support, Strut Cover | 2 | |
| 6 | N/A | SAM Cap | 2 | |
| 7 | 102544201 | Screw, M6 Hex | 4 | |
| 8 | 102543902 | Kit, Underbody Cover, Black (includes items 9 through 14) | 1 | |
| 9 | 102299065 | M8-1.25 X 65 Tx Bttn Hd Bolt | 4 | |
| 10 | 102400202 | Cover, Lh Non-canopy, Blk | 1 | |
| 11 | 102400302 | Cover, Rh Non-canopy, Blk | 1 | |
| 12 | N/A | Support, Strut Cover | 2 | |
| 13 | N/A | SAM Cap | 2 | |
| 14 | 102544201 | Screw, M6 Hex | 4 | |
| | | <p>Note: Sub-components contained in item 8 are the same as those shown for item 1, except for the color of the caps and covers.</p> | | |

1
G
E



000439-002

CANOPY SNAP-IN DRAIN COVER

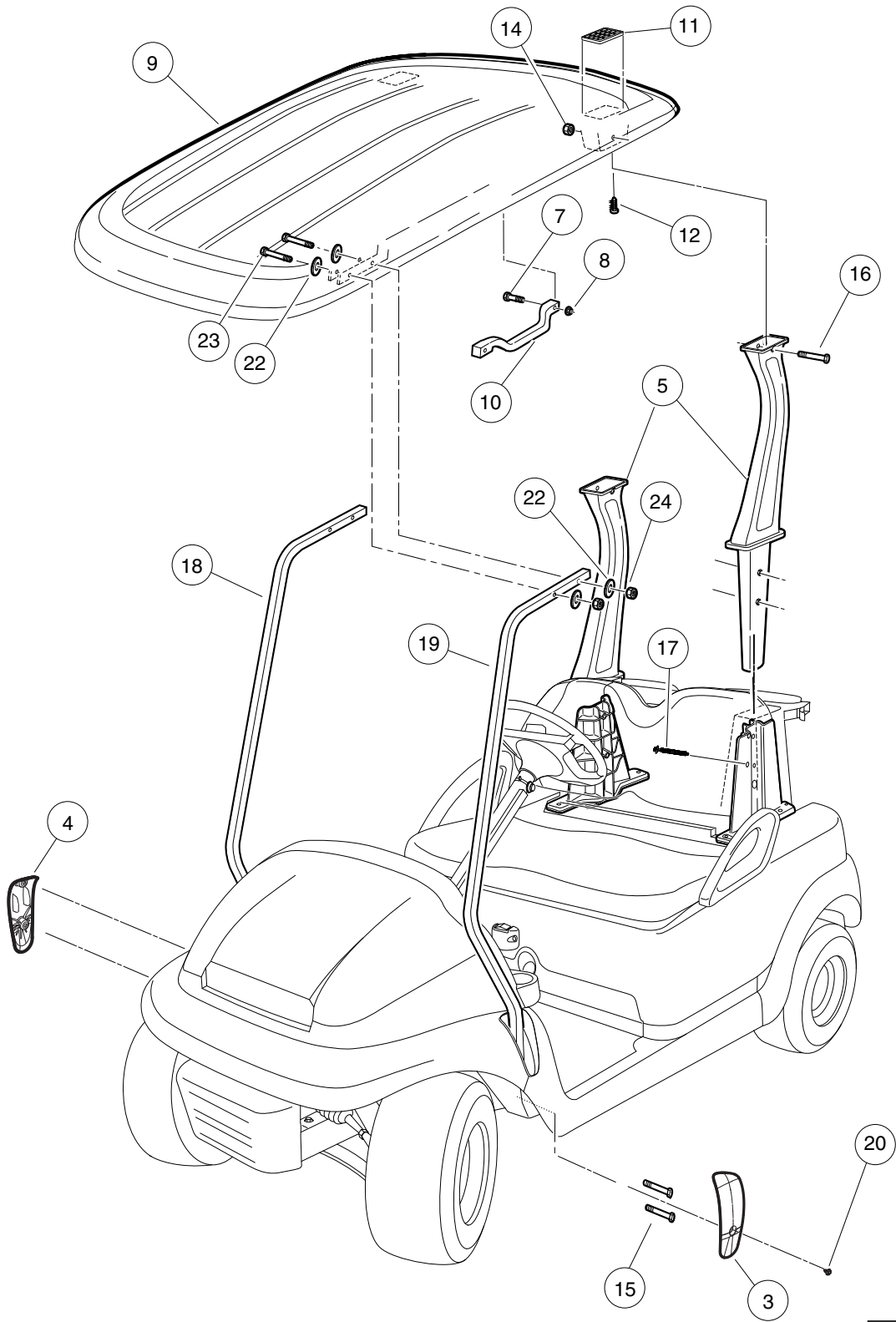
| ITEM | PART NO. | DESCRIPTION | QTY |
|------|----------|--|-----|
| 1 | N/A | <p>1 2 3 4</p> <p>Drain Cover (Snap-In)</p> <p style="margin-top: 20px;">Note: For use on canopies produced prior to mid-2007.</p> | 2 |

1

G

E

1
G
E



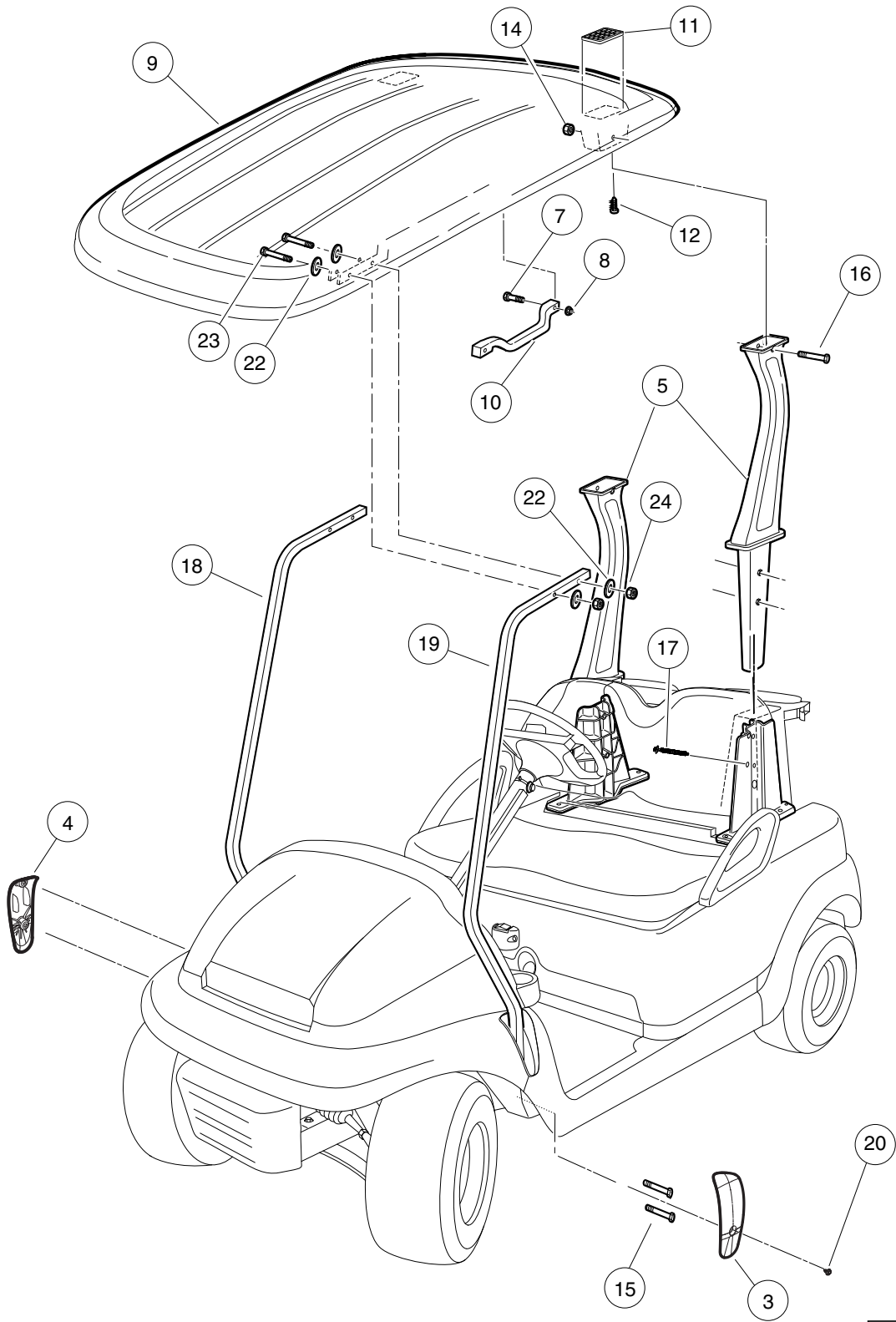
000439-001

CANOPY – BEIGE

| ITEM | PART NO. | DESCRIPTION | QTY |
|--------------------------|-----------|--|-----|
| | | 1 2 3 4 | |
| 1 | 102520702 | Kit-canopy, Prec-beige (includes items 2 through 13) | 1 |
| 2 | N/A | Beige Canopy Component Kit (includes items 3 through 6) | 1 |
| 3 | 102400002 | Cover, Lh Canopy Support, Blk | 1 |
| 4 | 102400102 | Cover, Rh Canopy Support, Blk | 1 |
| 5 | 102513501 | Asm-rear Canopy Support | 2 |
| 6 | N/A | Asm-canopy, Beige (includes items 7 through 12) | 1 |
| 7 | 102296140 | Bolt, Flanged Head, M6x1.0x40 | 4 |
| 8 | 102296401 | Nut-m6x1.0 Flng All Mtl Lock | 4 |
| 9 | 102508902 | Canopy-beige | 1 |
| 10 | 102511602 | Handle, Canopy (Beige) | 2 |
| 11 | 103205101 | Cover, Drain, Canopy, Precedent | 2 |
| 12 | 103210101 | Screw, #8 X.75, Torx, Tapping | 2 |
| 13 | N/A | Kit, Hardware, Canopy Strut (includes items 14 through 24) | 1 |
| 14 | 102298401 | Nut,m8,all Metal Lock | 2 |
| 15 | 102299065 | M8-1.25 X 65 Tx Bttm Hd Bolt | 4 |
| 16 | 102299360 | Screw, M8-1.25 X 60, Sems, Tx | 2 |
| 17 | 102299601 | Screw, Pt, K80x70 Hex Flg Hd | 2 |
| 18 | 102512401 | Support, Canopy Front, Right-Hand | 1 |
| 19 | 102513301 | Support, Canopy Front Left-Hand | 1 |
| 20 | 102544201 | Screw, M6 Hex | 2 |
| 21 | N/A | Instr, Kit, Canopy (prec) | 1 |
| 22 | 103196001 | Washer, Conical Spring, Canopy | 8 |
| 23 | 103199301 | Bolt - M6 X 1 X 45 Hh Grey | 4 |
| 24 | 103200301 | Nut, M6 x 1.00 | 4 |
| Note: Item 21 not shown. | | | |

1
G
E

1
G
E



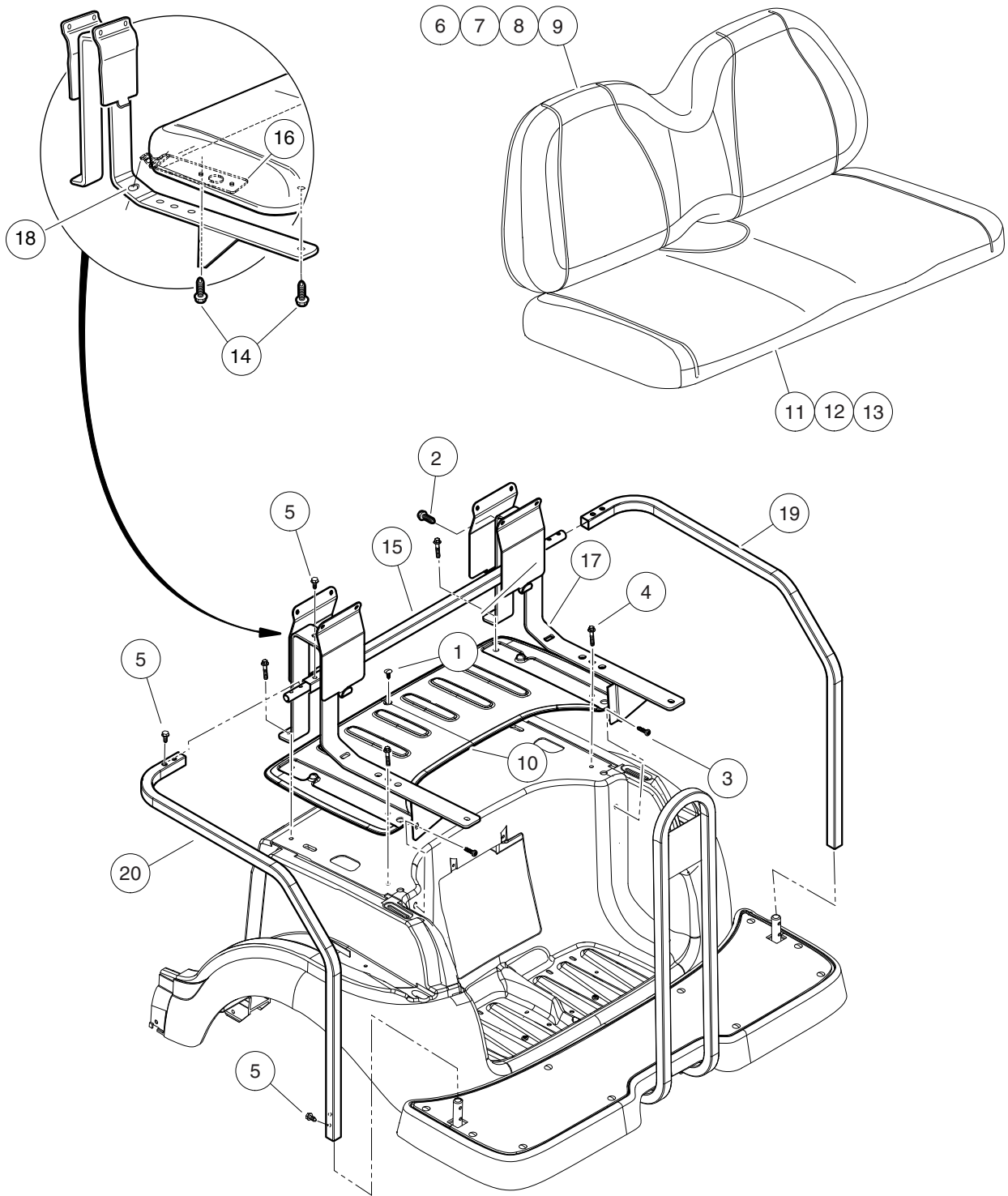
000439-001

CANOPY – WHITE

| ITEM | PART NO. | DESCRIPTION | QTY |
|--------------------------|-----------|--|-----|
| | | 1 2 3 4 | |
| 1 | 102520701 | Kit-canopy, Prec-white (includes items 2 through 13) | 1 |
| 2 | N/A | White Canopy Component Kit (includes items 3 through 6) | 1 |
| 3 | 102400002 | Cover, Lh Canopy Support, Blk | 1 |
| 4 | 102400102 | Cover, Rh Canopy Support, Blk | 1 |
| 5 | 102513501 | Asm-rear Canopy Support | 2 |
| 6 | N/A | Asm-canopy, White (includes items 7 through 12) | 1 |
| 7 | 102296140 | Bolt, Flanged Head, M6x1.0x40 | 4 |
| 8 | 102296401 | Nut-m6x1.0 Flng All Mtl Lock | 4 |
| 9 | 102508901 | Canopy-white | 1 |
| 10 | 102511601 | Handle, Canopy (White) | 2 |
| 11 | 103205101 | Cover, Drain, Canopy, Precedent | 2 |
| 12 | 103210101 | Screw, #8 X.75, Torx, Tapping | 2 |
| 13 | N/A | Kit, Hardware, Canopy Strut (includes items 14 through 24) | 1 |
| 14 | 102298401 | Nut,m8,all Metal Lock | 2 |
| 15 | 102299065 | M8-1.25 X 65 Tx Bttm Hd Bolt | 4 |
| 16 | 102299360 | Screw, M8-1.25 X 60, Sems, Tx | 2 |
| 17 | 102299601 | Screw, Pt, K80x70 Hex Flg Hd | 2 |
| 18 | 102512401 | Support, Canopy Front, Right-Hand | 1 |
| 19 | 102513301 | Support, Canopy Front Left-Hand | 1 |
| 20 | 102544201 | Screw, M6 Hex | 2 |
| 21 | N/A | Instr, Kit, Canopy (prec) | 1 |
| 22 | 103196001 | Washer, Conical Spring, Canopy | 8 |
| 23 | 103199301 | Bolt - M6 X 1 X 45 Hh Grey | 4 |
| 24 | 103200301 | Nut, M6 x 1.00 | 4 |
| Note: Item 21 not shown. | | | |

1
G
E

1
G
E

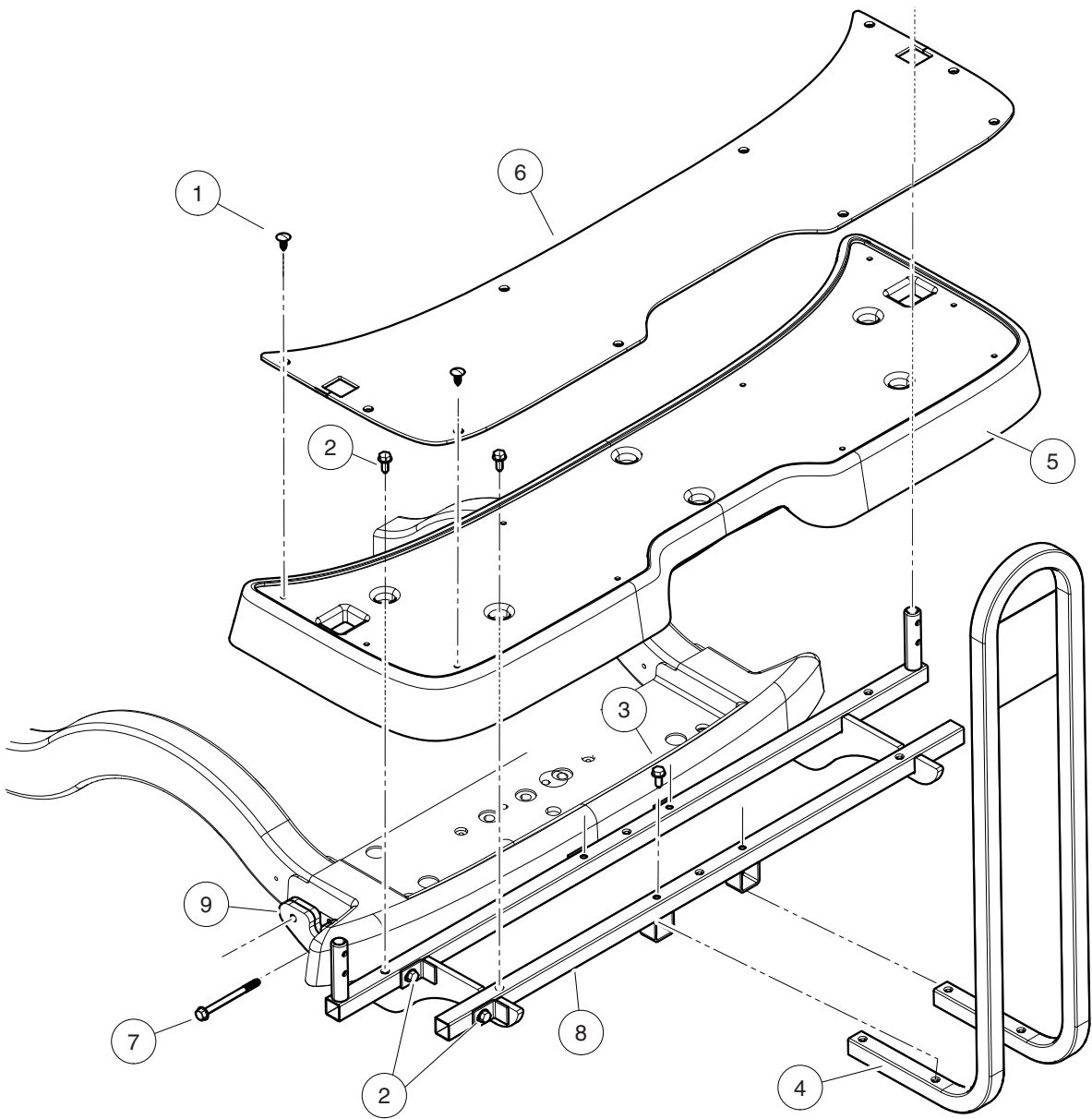


000494-001

REAR SEAT – PRECEDENT VILLAGER 4

| ITEM | PART NO. | DESCRIPTION | QTY |
|------|-----------|--|-----|
| | | 1 2 3 4 | |
| 1 | 1010434 | Barrel - Plastic | 10 |
| 2 | 102296530 | Screw - M6 X 1.0 X 30 Sems | 4 |
| 3 | 102298030 | Screw, K80x30, Torx Pn Hd Pt | 2 |
| 4 | 102298240 | Bolt, Flange Head, M8-1.25 X 40 | A/R |
| 5 | 102298720 | M8-1.25x20 Taptite | 10 |
| 6 | 102503221 | Service Backrest Asm, Beige | 1 |
| 7 | 102503222 | Service Backrest Asm, White | 1 |
| 8 | 102503224 | Service Backrest Asm, Gray | 1 |
| 9 | 102503225 | Service Backrest Asm-black | 1 |
| 10 | 102531501 | Cover, 4-pass Ns1 Underbody | 1 |
| 11 | 102531701 | 4-Passenger Rear Seat Bottom, Beige | 1 |
| 12 | 102531702 | 4-Passenger Rear Seat Bottom, White | 1 |
| 13 | 102531704 | 4-Passenger Rear Seat Bottom, Gray | 1 |
| 14 | 102541425 | Bolt-m6x1.0x25 Hex Flhd, Blk-l | 4 |
| 15 | 102572201 | Connector Tube-hand Rail Asm | 1 |
| 16 | 102573101 | Bracket, 4-pass Lower Seat | 2 |
| 17 | 102574801 | Support-rh 4 Passenger Seat | 1 |
| 18 | 102574901 | Support-lh 4 Passenger Seat | 1 |
| 19 | 102575101 | Restraint- Rh 4-passenger Hip | 1 |
| 20 | 102575201 | Restraint- Lh 4-passenger Hip | 1 |
| | | Note: See also four-passenger kit information. | |

1
G
E



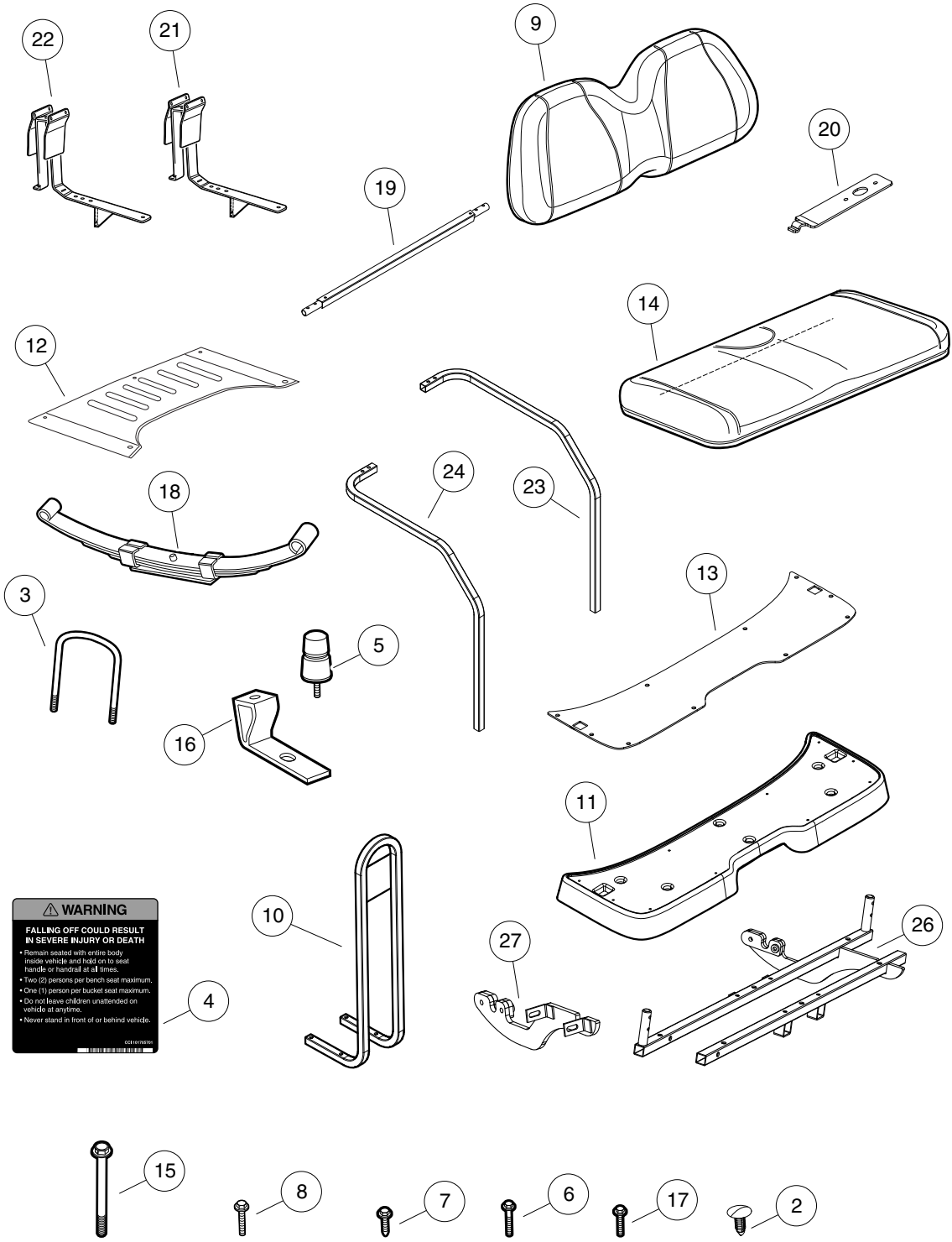
000493-001

REAR FOOTREST ASSEMBLY – PRECEDENT VILLAGER 4

| ITEM | PART NO. | DESCRIPTION | QTY |
|------|-----------|------------------------------------|-----|
| | | 1 2 3 4 | |
| 1 | 1010434 | Barrel - Plastic | 10 |
| 2 | 102298720 | M8-1.25x20 Taptite | 8 |
| 3 | 102298745 | M8-1.25x45 Taptite | 4 |
| 4 | 102531001 | Handrail Weldment, Rear Seat | 1 |
| 5 | 102531402 | Footdeck, 4-Passenger, Black | 1 |
| 6 | 102531601 | Floor mat, 4-Passenger, Rear | 1 |
| 7 | 102534201 | Bolt - Fl Hd, M8 X 95 | 4 |
| 8 | 102584701 | Weld, 4-pass Footdeck-a | 1 |
| 9 | 102584801 | Weld, 4-pass Footdeck-b | 1 |

1
G
E

1
G
E



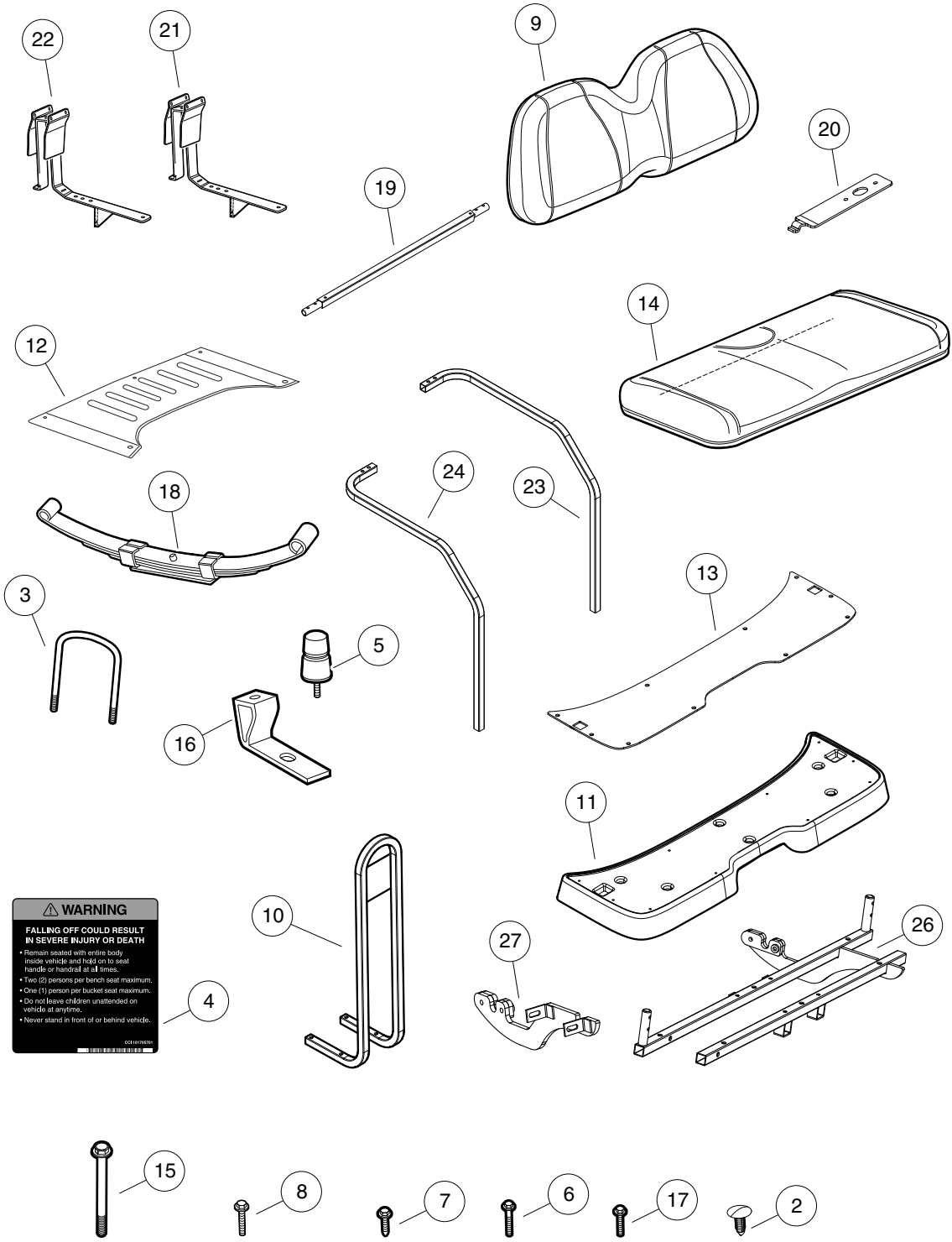
000505-001

FOUR PASSENGER CONVERSION KIT – BEIGE

| ITEM | PART NO. | DESCRIPTION | QTY |
|------|-----------|--|-----|
| | | 1 2 3 4 | |
| 1 | 102570901 | Kit-4-pass, Prec, Std, Beige (includes items 2 through 27) | 1 |
| 2 | 1010434 | Barrel - Plastic | 11 |
| 3 | 1014902 | U-Bolt | 2 |
| 4 | 101705701 | Decal, Warning | 1 |
| 5 | 1017235 | Bumper, Jounce | 2 |
| 6 | 102296530 | Screw - M6 X 1.0 X 30 Sems | 4 |
| 7 | 102298720 | M8-1.25x20 Taptite | 18 |
| 8 | 102298745 | M8-1.25x45 Taptite | 4 |
| 9 | 102503221 | Service Backrest Asm, Beige | 1 |
| 10 | 102531001 | Handrail Weldment, Rear Seat | 1 |
| 11 | 102531402 | Footdeck, 4-Passenger, Black | 1 |
| 12 | 102531501 | Cover, 4-pass Ns1 Underbody | 1 |
| 13 | 102531601 | Floormat, 4-Passenger, Rear | 1 |
| 14 | 102531701 | 4-Passenger Rear Seat Bottom, Beige | 1 |
| 15 | 102534201 | Bolt - Fl Hd, M8 X 95 | 4 |
| 16 | 102534801 | Jounce Bumper Bracket | 2 |
| 17 | 102541425 | Bolt-m6x1.0x25 Hex Flhd, Blk-l | 6 |
| 18 | 102544901 | Spril, Leaf, Rear | 2 |
| 19 | 102572201 | Connector Tube-hand Rail Asm | 1 |
| 20 | 102573101 | Bracket, 4-pass Lower Seat | 2 |
| 21 | 102574801 | Support-rh 4 Passenger Seat | 1 |
| 22 | 102574901 | Support-lh 4 Passenger Seat | 1 |
| 23 | 102575101 | Restraint- Rh 4-passenger Hip | 1 |
| 24 | 102575201 | Restraint- Lh 4-passenger Hip | 1 |
| 25 | N/A | Instructions-4 Pass Field | 1 |
| 26 | 102584701 | Weld, 4-pass Footdeck-a | 1 |
| 27 | 102584801 | Weld, 4-pass Footdeck-b | 1 |

1
G
E

1
G
E



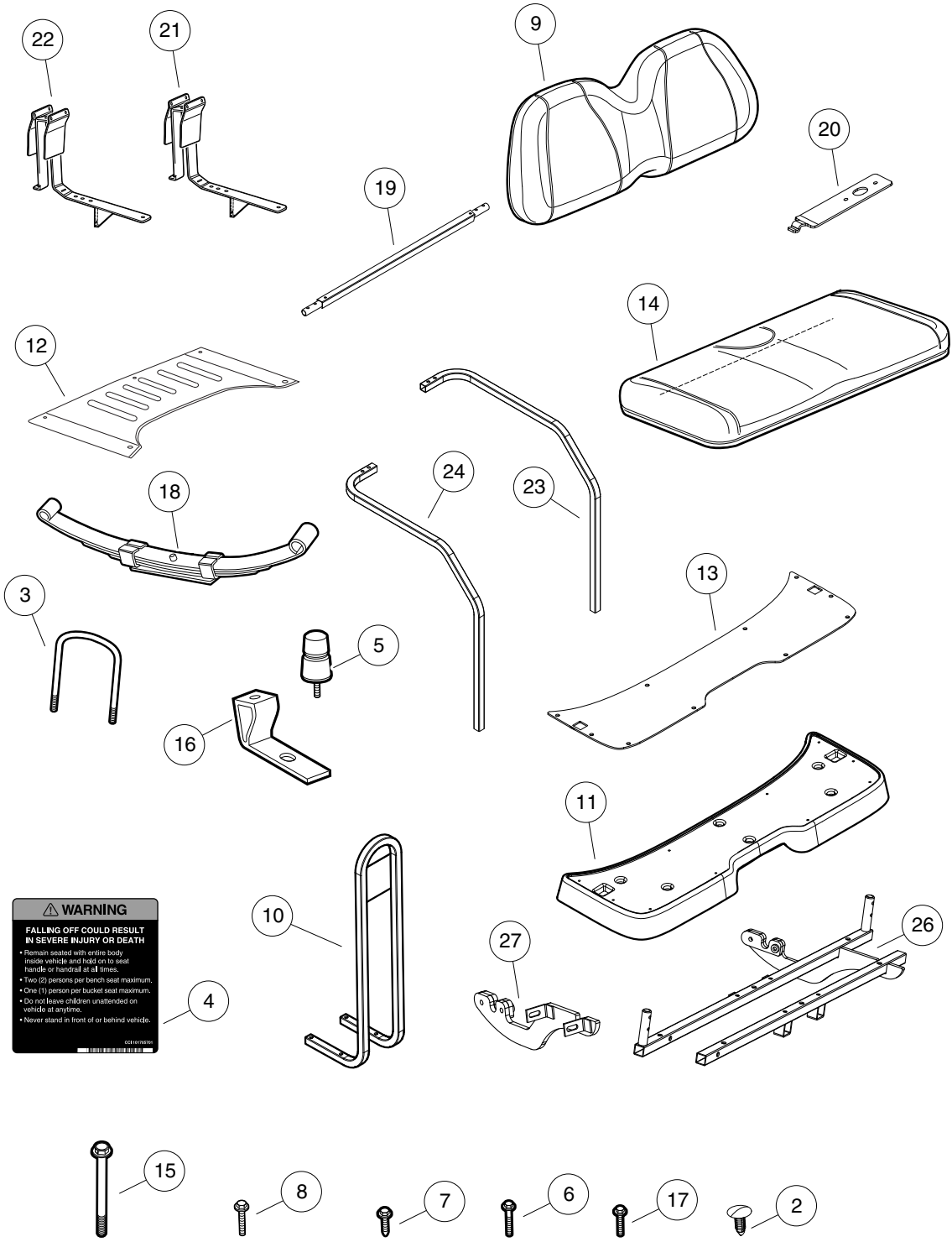
000505-001

FOUR PASSENGER CONVERSION KIT – WHITE

| ITEM | PART NO. | DESCRIPTION | QTY |
|------|-----------|--|-----|
| | | 1 2 3 4 | |
| 1 | 102570902 | Kit-4-pass, Prec, Std, White (includes items 2 through 27) | 1 |
| 2 | 1010434 | Barrel - Plastic | 11 |
| 3 | 1014902 | U-Bolt | 2 |
| 4 | 101705701 | Decal, Warning | 1 |
| 5 | 1017235 | Bumper, Jounce | 2 |
| 6 | 102296530 | Screw - M6 X 1.0 X 30 Sems | 4 |
| 7 | 102298720 | M8-1.25x20 Taptite | 18 |
| 8 | 102298745 | M8-1.25x45 Taptite | 4 |
| 9 | 102503222 | Service Backrest Asm, White | 1 |
| 10 | 102531001 | Handrail Weldment, Rear Seat | 1 |
| 11 | 102531402 | Footdeck, 4-Passenger, Black | 1 |
| 12 | 102531501 | Cover, 4-pass Ns1 Underbody | 1 |
| 13 | 102531601 | Floormat, 4-Passenger, Rear | 1 |
| 14 | 102531702 | 4-Passenger Rear Seat Bottom, White | 1 |
| 15 | 102534201 | Bolt - Fl Hd, M8 X 95 | 4 |
| 16 | 102534801 | Jounce Bumper Bracket | 2 |
| 17 | 102541425 | Bolt-m6x1.0x25 Hex Flhd, Blk-l | 6 |
| 18 | 102544901 | Spril, Leaf, Rear | 2 |
| 19 | 102572201 | Connector Tube-hand Rail Asm | 1 |
| 20 | 102573101 | Bracket, 4-pass Lower Seat | 2 |
| 21 | 102574801 | Support-rh 4 Passenger Seat | 1 |
| 22 | 102574901 | Support-lh 4 Passenger Seat | 1 |
| 23 | 102575101 | Restraint- Rh 4-passenger Hip | 1 |
| 24 | 102575201 | Restraint- Lh 4-passenger Hip | 1 |
| 25 | N/A | Instructions-4 Pass Field | 1 |
| 26 | 102584701 | Weld, 4-pass Footdeck-a | 1 |
| 27 | 102584801 | Weld, 4-pass Footdeck-b | 1 |

1
G
E

1
G
E



⚠ WARNING
FALLING OFF COULD RESULT IN SEVERE INJURY OR DEATH
 • Remain seated with entire body inside vehicle and hold on to seat handle or handrail at all times.
 • Two (2) persons per bench seat maximum.
 • One (1) person per bucket seat maximum.
 • Do not leave children unattended on vehicle at anytime.
 • Never stand in front of or behind vehicle.

000505-001

FOUR PASSENGER CONVERSION KIT – GRAY

| ITEM | PART NO. | DESCRIPTION | QTY |
|------|-----------|--|-----|
| | | 1 2 3 4 | |
| 1 | 102570904 | Kit, 4 Passenger, Precedent, Std, Gray (includes items 2 through 27) | 1 |
| 2 | 1010434 | Barrel - Plastic | 11 |
| 3 | 1014902 | U-Bolt | 2 |
| 4 | 101705701 | Decal, Warning | 1 |
| 5 | 1017235 | Bumper, Jounce | 2 |
| 6 | 102296530 | Screw - M6 X 1.0 X 30 Sems | 4 |
| 7 | 102298720 | M8-1.25x20 Taptite | 18 |
| 8 | 102298745 | M8-1.25x45 Taptite | 4 |
| 9 | 102503224 | Service Backrest Asm, Gray | 1 |
| 10 | 102531001 | Handrail Weldment, Rear Seat | 1 |
| 11 | 102531402 | Footdeck, 4-Passenger, Black | 1 |
| 12 | 102531501 | Cover, 4-pass Ns1 Underbody | 1 |
| 13 | 102531601 | Floormat, 4-Passenger, Rear | 1 |
| 14 | 102531704 | 4-Passenger Rear Seat Bottom, Gray | 1 |
| 15 | 102534201 | Bolt - Fl Hd, M8 X 95 | 4 |
| 16 | 102534801 | Jounce Bumper Bracket | 2 |
| 17 | 102541425 | Bolt-m6x1.0x25 Hex Flhd, Blk-l | 6 |
| 18 | 102544901 | Spril, Leaf, Rear | 2 |
| 19 | 102572201 | Connector Tube-hand Rail Asm | 1 |
| 20 | 102573101 | Bracket, 4-pass Lower Seat | 2 |
| 21 | 102574801 | Support-rh 4 Passenger Seat | 1 |
| 22 | 102574901 | Support-lh 4 Passenger Seat | 1 |
| 23 | 102575101 | Restraint- Rh 4-passenger Hip | 1 |
| 24 | 102575201 | Restraint- Lh 4-passenger Hip | 1 |
| 25 | N/A | Instructions-4 Pass Field | 1 |
| 26 | 102584701 | Weld, 4-pass Footdeck-a | 1 |
| 27 | 102584801 | Weld, 4-pass Footdeck-b | 1 |

1
G
E

1

G

E

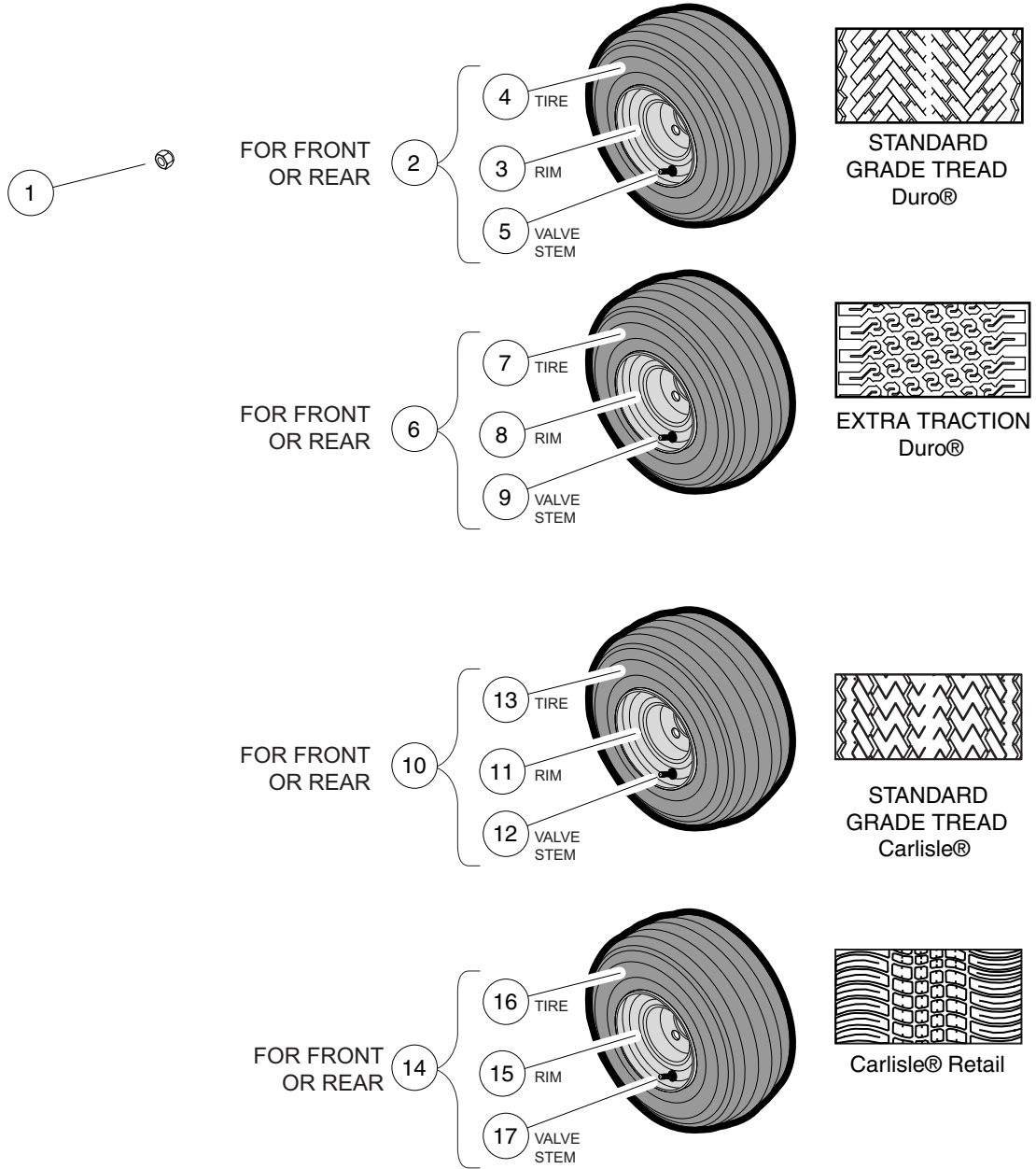
WHEEL AND TIRES

2

G

E

2
G
E



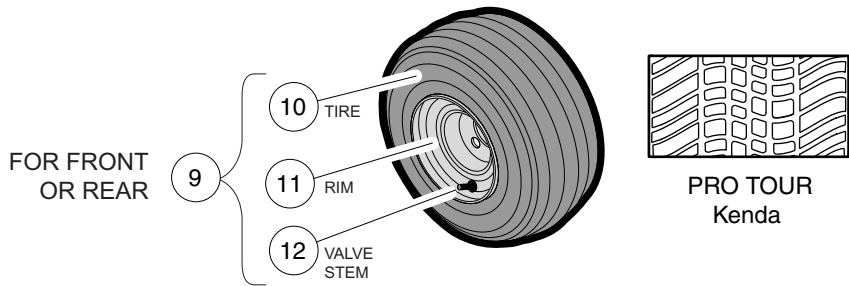
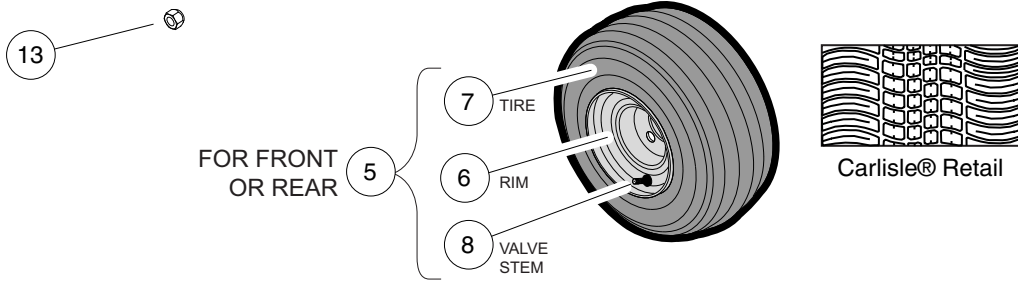
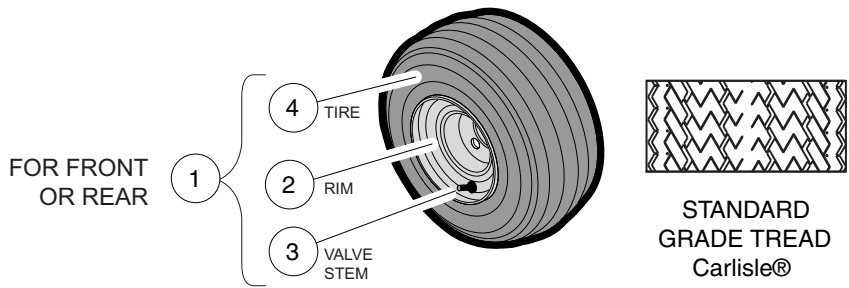
000474-001

WHEELS AND TIRES – PROFESSIONAL

| ITEM | PART NO. | DESCRIPTION | QTY |
|------|-----------|--|-----|
| | | 1 2 3 4 | |
| 1 | 1010984 | .500-20 Unf Lug Nut | 16 |
| 2 | 102522604 | Asm - Duro Std Gray (includes items 3 through 5) | 4 |
| 3 | 102557801 | Wheel Rim Asm, 8" X 7.000" | 1 |
| 4 | 102569304 | Duro 18 X 8.5 X 8, 4-Ply | 1 |
| 5 | 7310 | Valve Stem | 1 |
| 6 | 102522605 | Asm - Duro Extra Tract Gray (includes items 7 through 9) | 4 |
| 7 | 101769302 | Tire, Unmounted Xtrac 18 x 8.50-8 | 1 |
| 8 | 102557801 | Wheel Rim Asm, 8" X 7.000" | 1 |
| 9 | 7310 | Valve Stem | 1 |
| 10 | 102522608 | Asm-carlisle Std Gray (includes items 11 through 13) | A/R |
| 11 | 102557801 | Wheel Rim Asm, 8" X 7.000" | 1 |
| 12 | 7310 | Valve Stem | 1 |
| 13 | N/A | Tire, Unmouonted, Carlisle Standard Tread | 1 |
| 14 | 102522609 | Asm-carlisle Retail (includes items 15 through 17) | 2 |
| 15 | 102557801 | Wheel Rim Asm, 8" X 7.000" | 1 |
| 16 | 102569309 | Carlisle 18 X 8.50 R8 | 1 |
| 17 | 7310 | Valve Stem | 1 |

2
G
E

2
G
E



000475-001

WHEELS AND TIRES – CHAMPION

| ITEM | PART NO. | DESCRIPTION | QTY |
|------|-----------|---|-----|
| | | 1 2 3 4 | |
| 1 | 102522608 | Asm-carlisle Std Gray (includes items 2 through 4) | 4 |
| 2 | 102557801 | Wheel Rim Asm, 8" X 7.000" | 1 |
| 3 | 7310 | Valve Stem | 1 |
| 4 | N/A | Tire, Unmouonted, Carlisle Standard Tread | 1 |
| 5 | 102522609 | Asm-carlisle Retail (includes items 6 through 8) | 4 |
| 6 | 102557801 | Wheel Rim Asm, 8" X 7.000" | 1 |
| 7 | 102569309 | Carlisle 18 X 8.50 R8 | 1 |
| 8 | 7310 | Valve Stem | 1 |
| 9 | 102540601 | Tire and Wheel, Aluminum (includes items 10 through 12) | 4 |
| 10 | 102556701 | Tire, Pro Tour, 205-50 X 10 | 1 |
| 11 | 102556801 | Wheel, ChampionsAluminum' | 1 |
| 12 | 7310 | Valve Stem | 1 |
| 13 | 102540701 | Lug Nut, 1/2" Closed End | 16 |

2
G
E

2

G

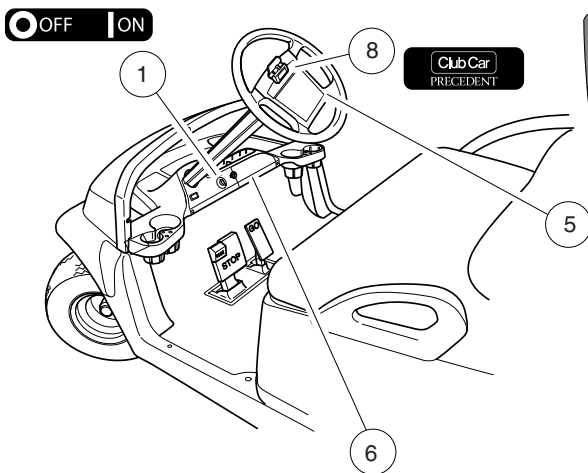
E

DECALS

3

G

E



OPERATING INSTRUCTIONS

- Read owner's manual and safety warnings located on dash panel prior to driving.
- Study and understand controls.

TO OPERATE

- Turn wheels to desired direction and ensure path is clear.
- Turn key to ON position.
- While stopped, place shift lever in desired position:
F – Forward N – Neutral R – Reverse (Buzzer will sound)
- Park brake will release and vehicle will start moving when accelerator pedal is pressed.
- Slowly press accelerator pedal to increase speed.
- To stop, release accelerator pedal and press brake pedal.

BEFORE LEAVING

- Press park brake pedal until it locks and holds vehicle.
- Place Forward/Reverse switch in NEUTRAL position.
- Turn key OFF and remove key when not in use.

CCI 102519201

WARNING

ROLLOVER OR FALLING OFF MAY CAUSE SERIOUS INJURY OR DEATH.

- Before using vehicle, read operating instructions.
- Do not start vehicle until all occupants are seated.
- Keep entire body inside vehicle while moving.
- Drive slowly in turns and straight up and down slopes.
- Use brakes to reduce speed when coasting downhill.
- Never operate under the influence of alcohol or drugs.
- For use by authorized persons in designated areas only.
- Remain seated while moving.
- Operate from driver side only.
- Never operate on public roads.
- Hold on to seat handle while moving.
- Two (2) persons per seat maximum.
- Never stand in front of or behind vehicle.
- Do not leave children unattended on vehicle.

CCI 102519301

WARNING

BATTERY EXPLOSION / FIRE CAN CAUSE SEVERE INJURY

- Do not contact positive (+) battery post or cable to frame.
- Disconnect negative (-) cable first.
- Negative (-) frame ground.

CCI 102517901

WARNING

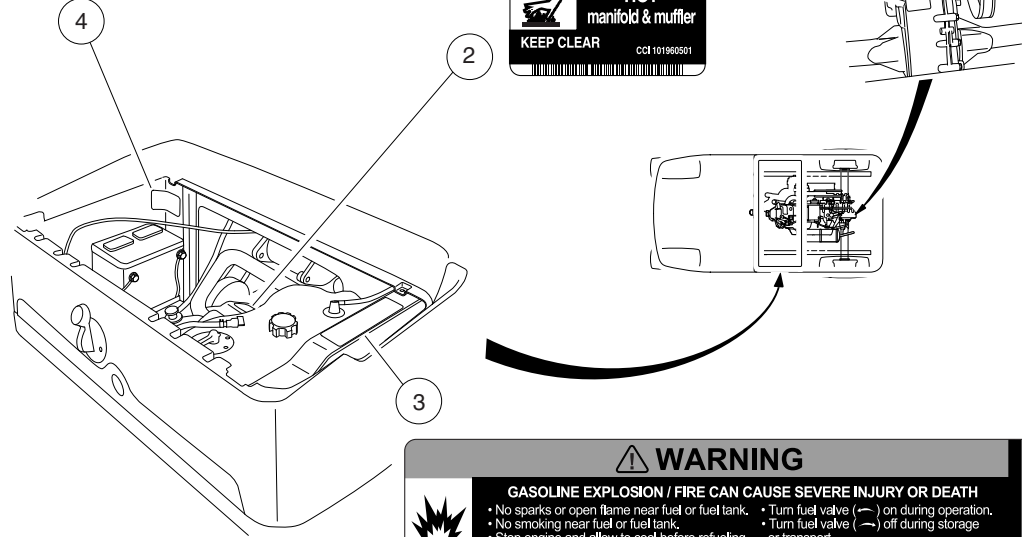
CAN CAUSE SEVERE INJURY

Rotating parts

HOT manifold & muffler

KEEP CLEAR

CCI 101960501



WARNING

GASOLINE EXPLOSION / FIRE CAN CAUSE SEVERE INJURY OR DEATH

- No sparks or open flame near fuel or fuel tank.
- No smoking near fuel or fuel tank.
- Stop engine and allow to cool before refueling.
- Turn fuel valve (—) on during operation.
- Turn fuel valve (—) off during storage or transport.

EXCESSIVE SPEED CAN CAUSE SEVERE INJURY OR DEATH

- Do not tamper with engine governor adjustment.

CCI 102517801

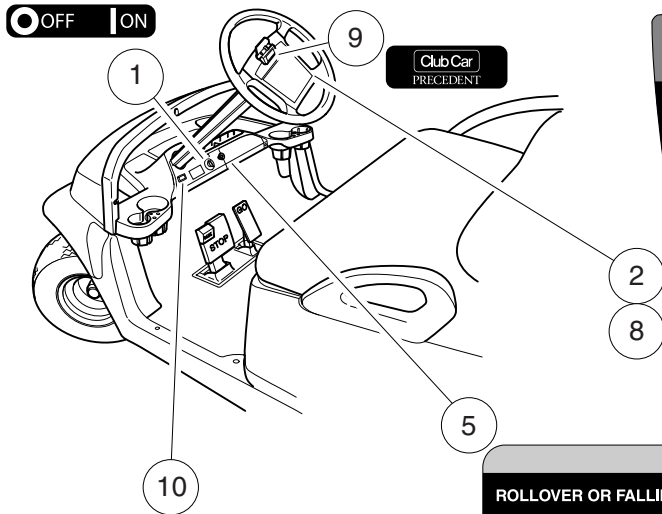
CE

000444-001

DECALS – GASOLINE VEHICLE

| ITEM | PART NO. | DESCRIPTION | QTY |
|------|-----------|--|-----|
| | | 1 2 3 4 | |
| 1 | 101825101 | Decal, Off/On | 1 |
| 2 | 101960501 | Decal, Rotating Parts/Hot Manifold | 2 |
| 3 | 102517801 | Decal, Warning - Gas and Govenor | 1 |
| 4 | 102517901 | Decal, Warning - Frame Ground | 1 |
| 5 | 102519201 | Decal, Operating Instr, Gas | 1 |
| 6 | 102519301 | Decal, Warning, Rollover | 1 |
| 7 | 102538101 | Decal, Operating Instructions | 1 |
| 8 | 102540901 | Decal, Club Car Clip | 1 |
| | | Note: Item 7 not shown. | |

3
G
E



OPERATING INSTRUCTIONS

- Read owner's manual and dash-mounted safety warnings prior to driving.
- Study and understand controls.

TO OPERATE

- Turn wheels to desired direction and ensure path is clear.
- Turn key to ON position.
- While stopped, place Forward/Reverse switch in desired position: F=Forward N=Neutral R=Reverse (Buzzer will sound)
- Park brake will release and vehicle will start moving when accelerator pedal is pressed.
- Slowly press accelerator pedal to increase speed.
- To stop, release accelerator pedal and press brake pedal.

BEFORE LEAVING

- Press park brake pedal until it locks and holds vehicle.
- Place Forward/Reverse switch in NEUTRAL position.
- Turn key OFF and remove key when not in use.

MOTOR BRAKING

- Electric motor braking provides speed regulation functions.
- For parked vehicle, beeping alarm indicates vehicle roll away.
- In operation, beeping alarm indicates reduction in motor braking.
- Apply brakes to further reduce vehicle speed as required.
- System is activated only when tow switch is in the RUN position.
- When towing this vehicle, tow switch must be in the TOW position.

CC1 102518001

IMPORTANT NOTICE

This vehicle does not conform to ANSI Z130.1 - "Standard for Golf Cars - Safety and Performance Requirements" because it is capable of speeds in excess of 15 miles per hour. Exercise caution.

CC1 10255901

WARNING

ROLLOVER OR FALLING OFF MAY CAUSE SERIOUS INJURY OR DEATH.

- Before using vehicle, read operating instructions.
- Do not start vehicle until all occupants are seated.
- Keep entire body inside vehicle while moving.
- Drive slowly in turns and straight up and down slopes.
- Use brakes to reduce speed when coasting downhill.
- Never operate under the influence of alcohol or drugs.
- For use by authorized persons in designated areas only.
- Remain seated while moving.
- Operate from driver side only.
- Never operate on public roads.
- Hold on to seat handle while moving.
- Two (2) persons per seat maximum.
- Never stand in front of or behind vehicle.
- Do not leave children unattended on vehicle.

CC1 102519301

WARNING

HEAVY LIFTING CAN CAUSE SEVERE PERSONAL INJURY

- The weight of each 12-volt battery is in excess of 80 lb (36.3 kg).
- Lift batteries only with the aid of an assistant.

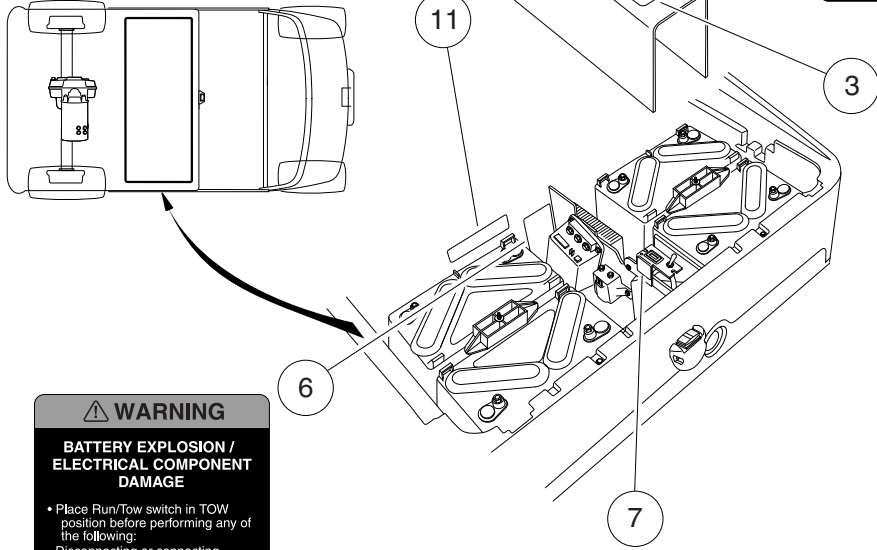
CC1 103238501

CAUTION

EXPOSURE TO WATER MAY DAMAGE ELECTRONIC COMPONENTS

- Do not operate vehicle without this cover properly installed.
- Do not direct water stream in the area of the cover without cover securely in place.
- See vehicle maintenance and service manual before servicing.

CC1 10251801



WARNING

BATTERY EXPLOSION COULD RESULT IN SEVERE PERSONAL INJURY

- Do not store items in battery compartment.
- Place Run/Tow switch in TOW position before performing any of the following:
 - Disconnecting or connecting battery cables
 - Towing this vehicle
 - Extended storage
 - Servicing the vehicle

CC1 102518101

WARNING

BATTERY EXPLOSION / ELECTRICAL COMPONENT DAMAGE

- Place Run/Tow switch in TOW position before performing any of the following:
 - Disconnecting or connecting battery cables
 - Towing this vehicle
 - Extended storage
 - Servicing the vehicle
- Do not store items in battery compartment.
- Do not operate vehicle without the cover properly installed.
- Keep electronic components dry.
- See vehicle maintenance and service manual before servicing.

CC1 102519401

WARNING

SHORTING OF BATTERY TERMINALS CAN CAUSE PERSONAL INJURY OR DEATH.

- Do not place component mounting plate directly on top of batteries when removing or installing plate.
- Remove plate from vehicle completely.

102527501

000441-001

DECALS – ELECTRIC VEHICLE

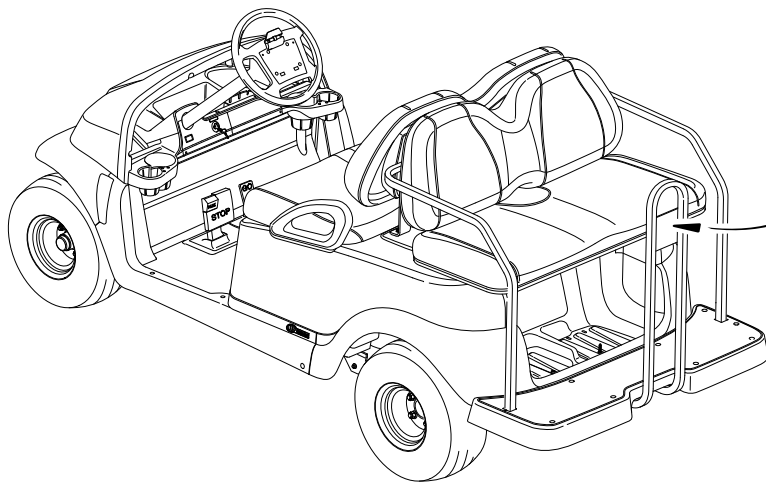
| ITEM | PART NO. | DESCRIPTION | QTY |
|------|-----------|--|-----|
| | | 1 2 3 4 | |
| 1 | 101825101 | Decal, Off/On | 1 |
| 2 | 102518001 | Decal, Operating Instr, Elec | 1 |
| 3 | 102518101 | Decal, Run/Tow with Storage Area | 1 |
| 4 | 102518301 | Decal, Caution, Electrical Component Cover | 1 |
| 5 | 102519301 | Decal, Warning, Rollover | 1 |
| 6 | 102519401 | Decal, Run/Tow Safety, IQ | 1 |
| 7 | 102527501 | Decal-component Mounting Plate | 1 |
| 8 | 102538201 | Decal, Operating Instructions | 1 |
| 9 | 102540901 | Decal, Club Car Clip | 1 |
| 10 | 102555901 | Decal, Private Speed, Prec | 1 |
| 11 | 103238501 | Decal, Warning -battery Weight | 1 |
| | | Note: Item 8 not shown. | |

3
G
E

3

G

E



⚠ WARNING

**FALLING OFF COULD RESULT
IN SEVERE INJURY OR DEATH**

- Remain seated with entire body inside vehicle and hold on to seat handle or handrail at all times.
- Two (2) persons per bench seat maximum.
- One (1) person per bucket seat maximum.
- Do not leave children unattended on vehicle at anytime.
- Never stand in front of or behind vehicle.

CCI 101705701



000495-001

DECAL – PRECEDENT VILLAGER 4

| ITEM | PART NO. | DESCRIPTION | QTY |
|------|-----------|---------------------------------|-----|
| 1 | 101705701 | 1 2 3 4 Decal, Warning | 4 |

3
G
E

3

G

E

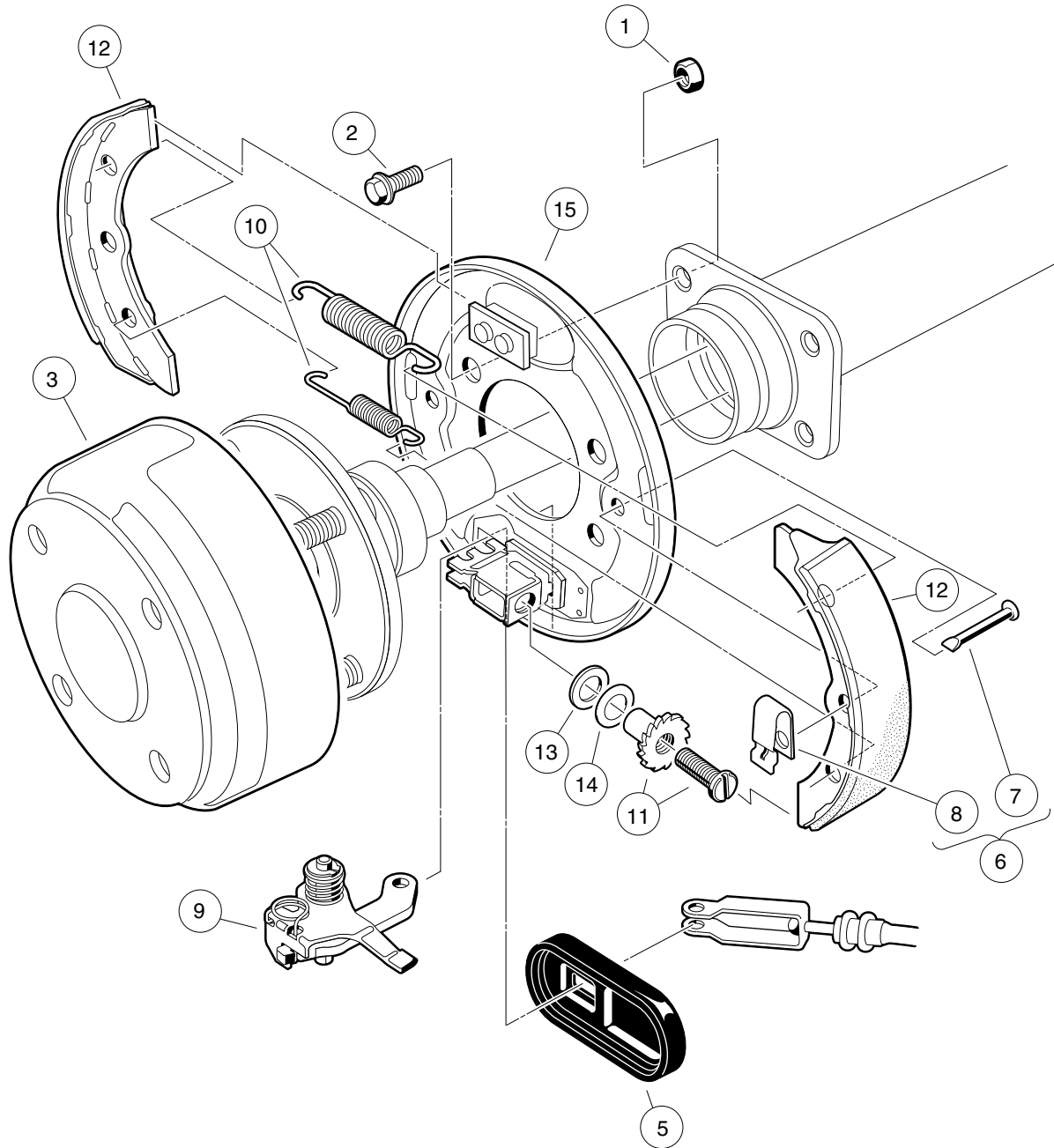
BRAKES AND PEDAL GROUP ASSEMBLIES

4

G

E

4
G
E



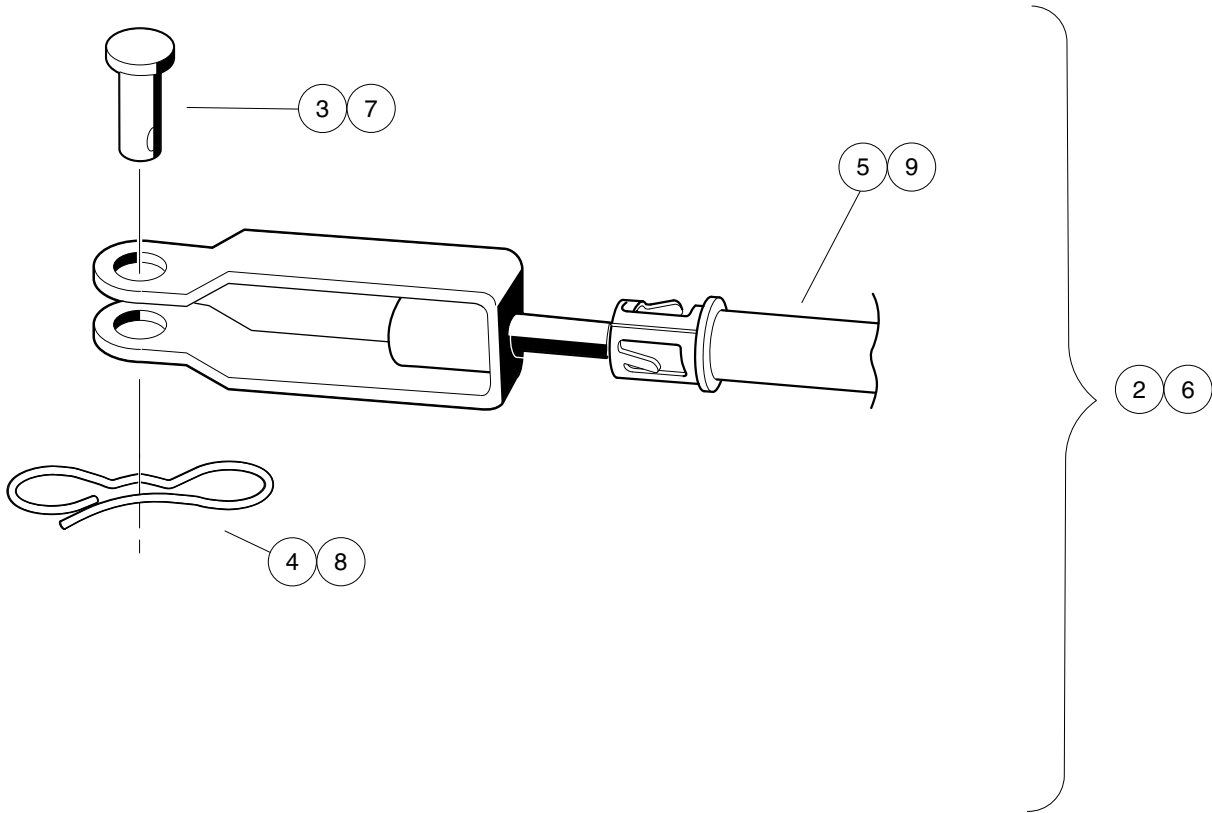
000186-001

REAR BRAKE ASSEMBLY, SELF-ADJUSTING

| ITEM | PART NO. | DESCRIPTION | QTY |
|------|-----------|---|-----|
| | | 1 2 3 4 | |
| 1 | 1013924 | Nut, 5/16-24 Hex Head Cone | 8 |
| 2 | 1014153 | Bolt, Brake Cluster Mounting | 8 |
| 3 | 101791101 | Drum without Center Hole, Brake | 2 |
| 4 | 101823301 | Cluster Assembly, Right (Passenger) Brake (includes items 5 through 15) | 1 |
| 5 | 1010850 | Dust Cover | 1 |
| 6 | 1011466 | Kit, Shoe Retainer (includes items 7 and 8) | 1 |
| 7 | N/A | Pin | 2 |
| 8 | N/A | Shoe Clamp Spring | 2 |
| 9 | 101815501 | Lever Assembly, Self-Adjusting Brake, Right (Passenger) | 1 |
| 10 | 101816301 | Package, Brake Spring, Self-Adjusting | 1 |
| 11 | 101816501 | Adj Mechanism, S.A. Brakes, Right (Passenger) | 1 |
| 12 | 101823201 | Package, Brake Shoe, Self-Adjusting | 1 |
| 13 | 101823801 | Plate, Washer, Brake, Self-Adjusting | 1 |
| 14 | 101823901 | Washer, Brake, Self-Adjusting | 1 |
| 15 | 101824001 | Plate Assembly, Right Brake Backing | 1 |
| 16 | 101823302 | Cluster Assembly, Left Brake (includes items 17 through 27) | 1 |
| 17 | 1010850 | Dust Cover | 1 |
| 18 | 1011466 | Kit, Shoe Retainer (includes items 19 and 20) | 1 |
| 19 | N/A | Pin | 2 |
| 20 | N/A | Shoe Clamp Spring | 2 |
| 21 | 101815502 | Lever Assembly, Self-Adjusting Brake, Left | 1 |
| 22 | 101816301 | Package, Brake Spring, Self-Adjusting | 1 |
| 23 | 101816502 | Adjusting Mechanism, Self-Adjusting Brake, Left | 1 |
| 24 | 101823201 | Package, Brake Shoe, Self-Adjusting | 1 |
| 25 | 101823801 | Plate, Washer, Brake, Self-Adjusting | 1 |
| 26 | 101823901 | Washer, Brake, Self-Adjusting | 1 |
| 27 | 101824002 | Plate Assembly, Left Brake Backing | 1 |
| | | Note: Driver-side brake cluster not shown. Components have a similar appearance to passenger-side brake cluster components. | |

4
G
E

4
G
E



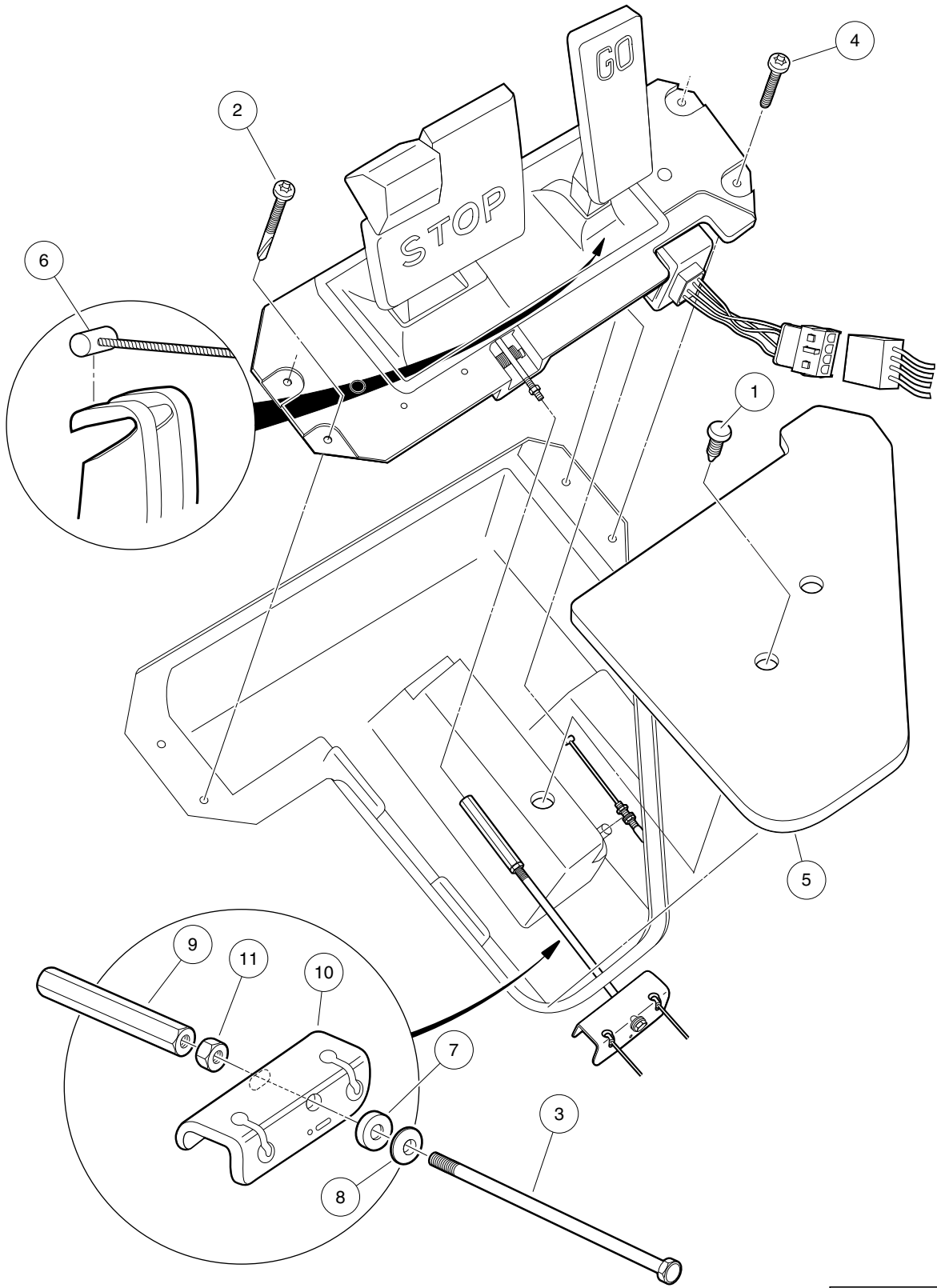
000467-001

BRAKE CABLES

| ITEM | PART NO. | DESCRIPTION | QTY |
|------|-----------|--|-----|
| | | 1 2 3 4 | |
| 1 | 103528801 | Kit, Brake Cable, Prec Upgrade (includes items 2 through 11) | 1 |
| 2 | 103528701 | Kit, Brake Cable, Prec, Rh (includes items 3 through 5) | 1 |
| 3 | 1010829 | Pin, Clevis, 5/16 X 3/4 | 1 |
| 4 | 102292801 | Pin, Bow Tie Locking - .072 | 1 |
| 5 | 103528501 | Cable, Brake, Prec, Right | 1 |
| 6 | 103528702 | Kit, Brake Cable, Prec, Lh (includes items 7 through 9) | 1 |
| 7 | 1010829 | Pin, Clevis, 5/16 X 3/4 | 1 |
| 8 | 102292801 | Pin, Bow Tie Locking - .072 | 1 |
| 9 | 103528601 | Cable, Brake, Prec, Left | 1 |
| 10 | 103535001 | Bracket, Equalizer, Prec Awd | 1 |
| 11 | N/A | Instr, Prec Brake Cable Kit | 1 |

4
G
E

4
G
E



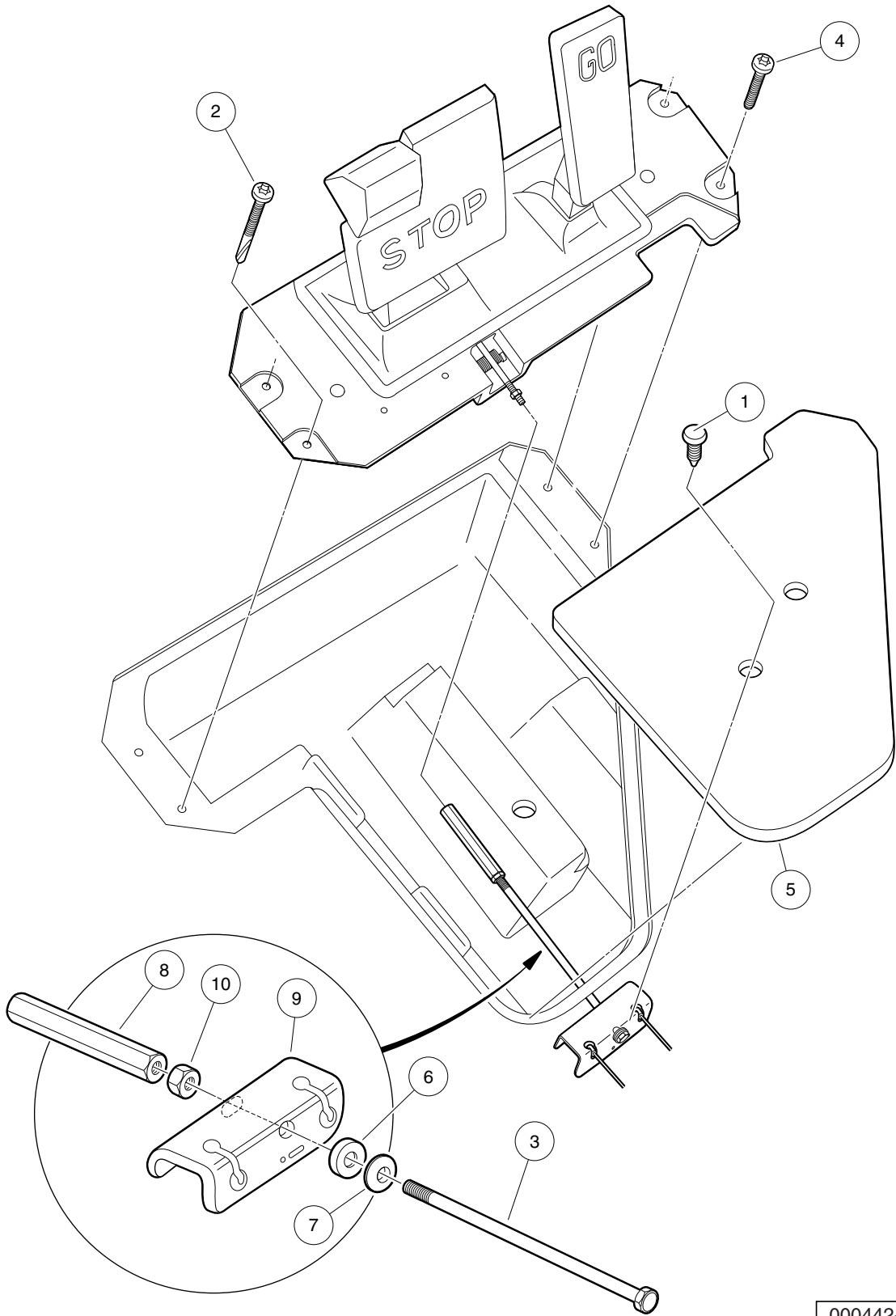
000443-001

PEDAL GROUP CONNECTIONS – GASOLINE VEHICLE

| ITEM | PART NO. | DESCRIPTION | QTY |
|------|-----------|--------------------------------------|-----|
| | | 1 2 3 4 | |
| 1 | 1010434 | Barrel - Plastic | 1 |
| 2 | 102292201 | Screw-1/4-20x1.25 Torx Pn Hdsd | 2 |
| 3 | 102297901 | Bolt, 5/16-18 X 7.375, Hex | 1 |
| 4 | 102298030 | Screw, K80x30, Torx Pn Hd Pt | 2 |
| 5 | 102500801 | Plate - Floor Cover | 1 |
| 6 | 102513102 | Cable, Acc, Snap-in | 1 |
| 7 | 102551901 | Washer, 5/16, Self Comp, Cup | 1 |
| 8 | 102552001 | Washer, 5/16, Self Comp, Cone | 1 |
| 9 | 102594301 | Nut, 5/16-18, Hex Adjusting -l | 1 |
| 10 | 103535001 | Bracket, Equalizer, Prec Awd | 1 |
| 11 | 1242 | Nut, 5/16-18 Hex | 1 |

4
G
E

4
G
E



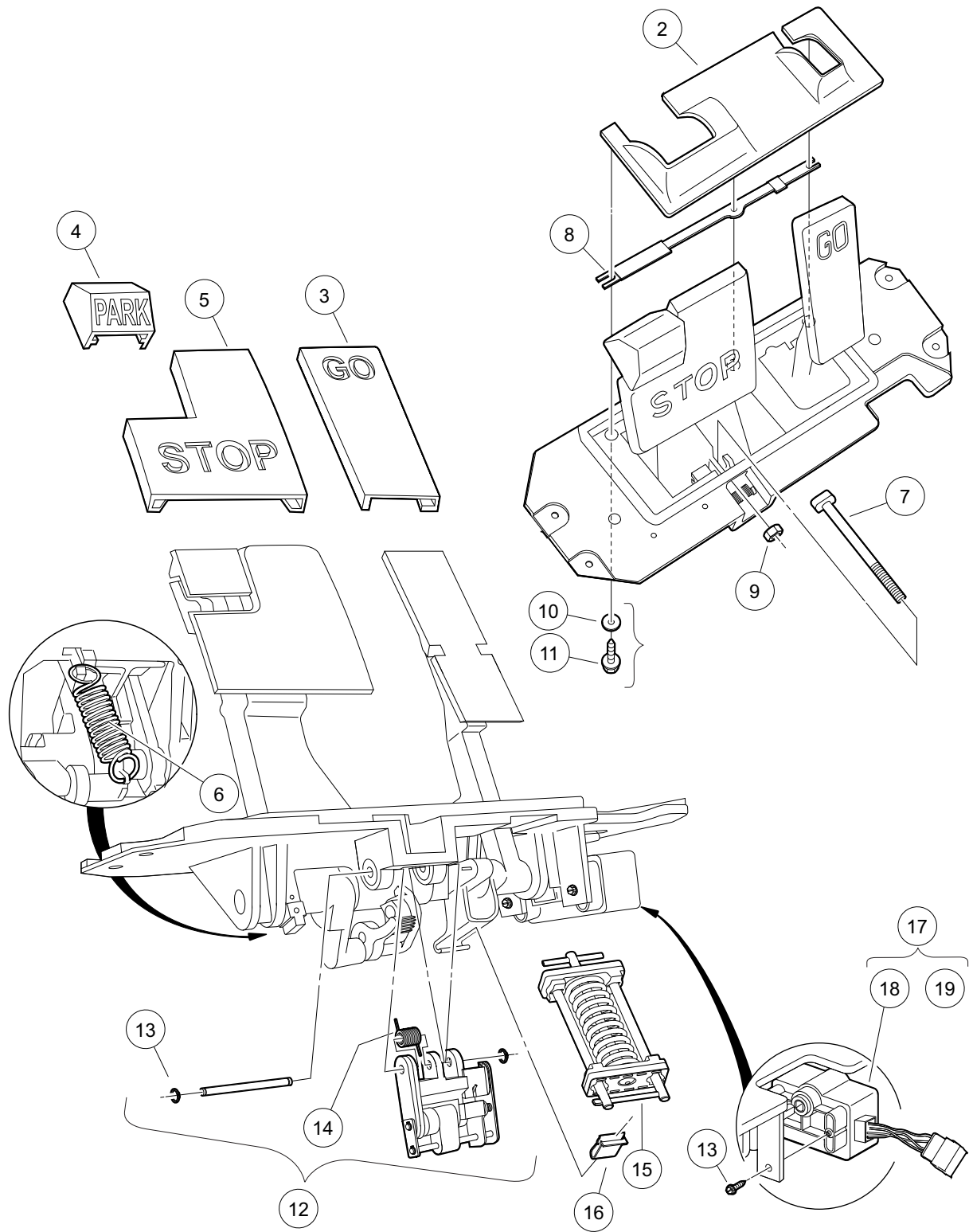
000442-001

PEDAL GROUP CONNECTIONS – ELECTRIC VEHICLE

| ITEM | PART NO. | DESCRIPTION | QTY |
|------|-----------|--------------------------------------|-----|
| | | 1 2 3 4 | |
| 1 | 1010434 | Barrel - Plastic | 1 |
| 2 | 102292201 | Screw-1/4-20x1.25 Torx Pn Hdsd | 2 |
| 3 | 102297901 | Bolt, 5/16-18 X 7.375, Hex | 1 |
| 4 | 102298030 | Screw, K80x30, Torx Pn Hd Pt | 2 |
| 5 | 102500801 | Plate - Floor Cover | 1 |
| 6 | 102551901 | Washer, 5/16, Self Comp, Cup | 1 |
| 7 | 102552001 | Washer, 5/16, Self Comp, Cone | 1 |
| 8 | 102594301 | Nut, 5/16-18, Hex Adjusting -I | 1 |
| 9 | 103535001 | Bracket, Equalizer, Prec Awd | 1 |
| 10 | 1242 | Nut, 5/16-18 Hex | 1 |

4
G
E

4
G
E



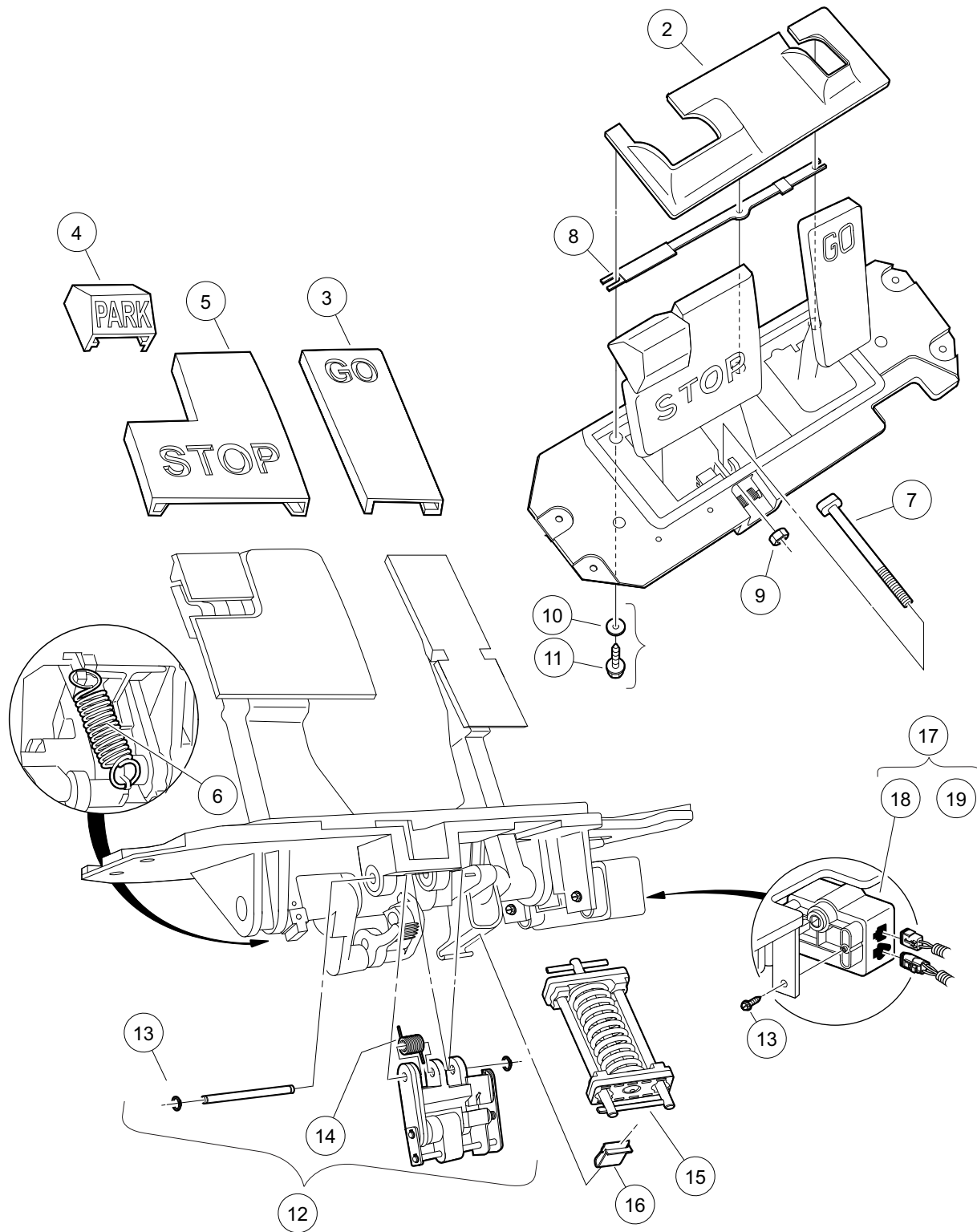
000487-001

PEDAL GROUP COMPONENTS – GASOLINE VEHICLE

| ITEM | PART NO. | DESCRIPTION | QTY |
|--|-----------|---|-----|
| | | 1 2 3 4 | |
| 1 | N/A | Asm, Pedal Box Gas (includes items 2 through 17) | 1 |
| 2 | 102558801 | Shield, Debris | 1 |
| 3 | 102558901 | Pad, Pedal, Accelerator | 1 |
| 4 | 102559001 | Pad, Pedal, Park | 1 |
| 5 | 102559101 | Pad, Pedal, Brake | 1 |
| 6 | 102559301 | Spring, Brake, Return | 1 |
| 7 | 102559401 | Rod, Brake | 1 |
| 8 | 102559601 | Shield, Debris, Aux | 1 |
| 9 | 102559701 | Nut, Brake Rod | 1 |
| 10 | 102563001 | Washer, Std Fender, #10 | 3 |
| 11 | 102563101 | Screw, Type A, #10 | 5 |
| 12 | 102587401 | Assembly Pawl Lock Headed Pins (includes items 13 and 14) | 1 |
| 13 | 102587501 | Clip, Push, Pawl | 2 |
| 14 | 103344301 | Spring, Pawl Return | 1 |
| 15 | 102588701 | Kit, Pedal Spring | 1 |
| 16 | 102588901 | Clip, U | 1 |
| 17 | 103327701 | Kit, Gcor (includes items 18 and 19) | 1 |
| 18 | N/A | GCOR, Prec | 1 |
| 19 | N/A | Instr, Kit Gcor/mcor | 1 |
| <p style="text-align: center;">Note: Replace pedal box assembly with Generation 2 pedal box assembly (CCI P/N 102595021). Generation 2 pedal box assembly will also require new accelerator pedal cable (CCI P/N 102595101).</p> | | | |

4
G
E

4
G
E



000488-001

PEDAL GROUP COMPONENTS – ELECTRIC VEHICLE

| ITEM | PART NO. | DESCRIPTION | QTY |
|--|-----------|---|-----|
| | | 1 2 3 4 | |
| 1 | N/A | Asm, Pedal Box Elec (includes items 2 through 17) | 1 |
| 2 | 102558801 | Shield, Debris | 1 |
| 3 | 102558901 | Pad, Pedal, Accelerator | 1 |
| 4 | 102559001 | Pad, Pedal, Park | 1 |
| 5 | 102559101 | Pad, Pedal, Brake | 1 |
| 6 | 102559301 | Spring, Brake, Return | 1 |
| 7 | 102559401 | Rod, Brake | 1 |
| 8 | 102559601 | Shield, Debris, Aux | 1 |
| 9 | 102559701 | Nut, Brake Rod | 1 |
| 10 | 102563001 | Washer, Std Fender, #10 | 3 |
| 11 | 102563101 | Screw, Type A, #10 | 5 |
| 12 | 102587401 | Assembly Pawl Lock Headed Pins (includes items 13 and 14) | 1 |
| 13 | 102587501 | Clip, Push, Pawl | 2 |
| 14 | 103344301 | Spring, Pawl Return | 1 |
| 15 | 102588701 | Kit, Pedal Spring | 1 |
| 16 | 102588901 | Clip, U | 1 |
| 17 | 103327901 | Kit, Mcor (includes items 18 and 19) | 1 |
| 18 | N/A | Mcor, Prec | 1 |
| 19 | N/A | Instr, Kit Gcor/mcor | 1 |
| <p style="margin-left: 40px;">Note: Replace pedal box assembly with Generation 2 pedal box assembly (CCI P/N 102595012).</p> | | | |

4
G
E

4

G

E

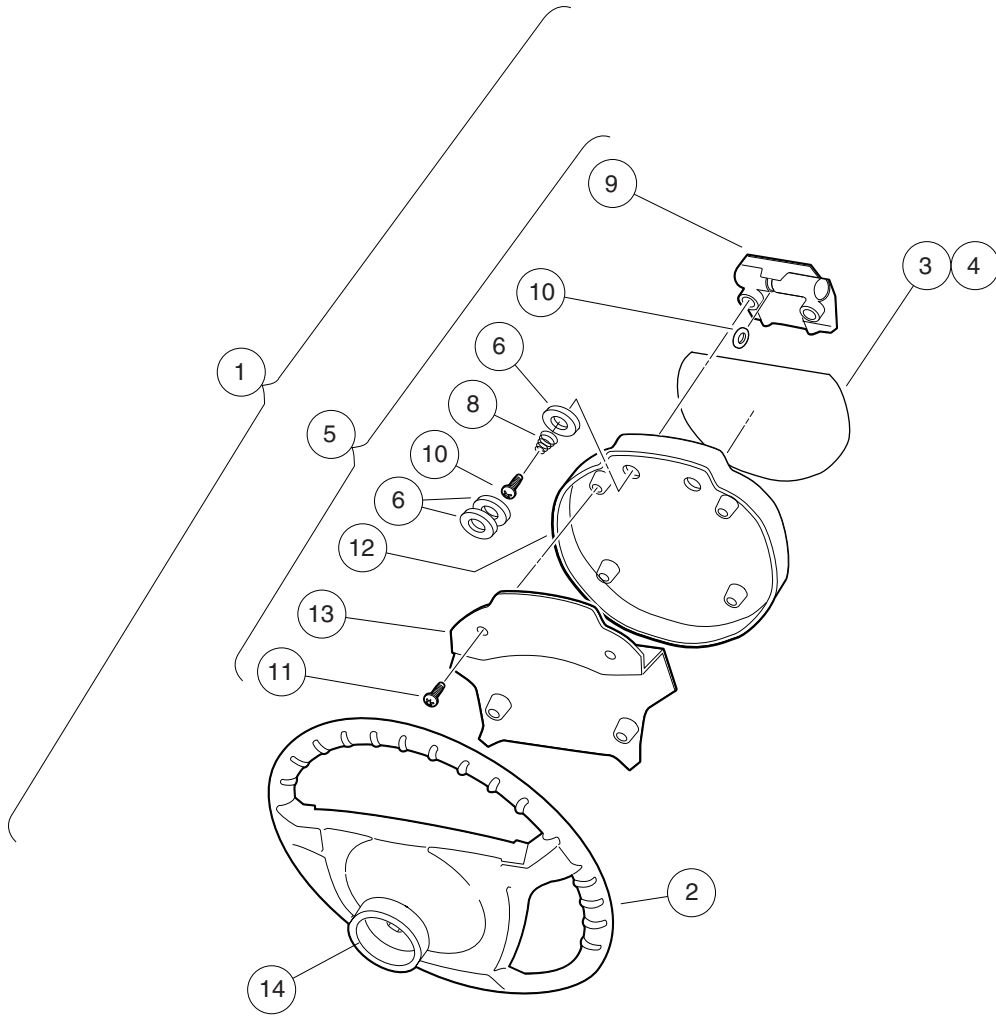
STEERING, FRONT AND REAR SUSPENSION

5

G

E

5
G
E



000470-001

STEERING WHEEL – CHAMPION

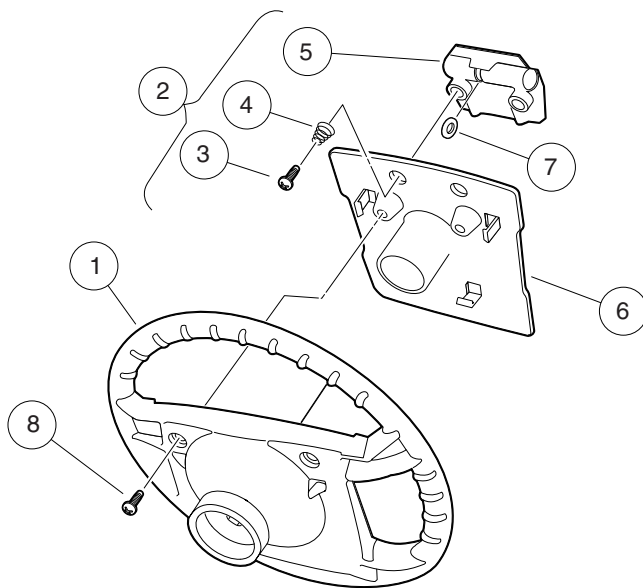
| ITEM | PART NO. | DESCRIPTION | QTY |
|------|-----------|---|-----|
| | | 1 2 3 4 | |
| 1 | AM1229401 | Kit, Comfort Grip Conv, Hex (includes items 2 through 14) | 1 |
| 2 | N/A | Steering Wheel, Comfort Grip, Hex | 1 |
| 3 | 102538101 | Decal, Operating Instructions | 1 |
| 4 | 102538201 | Decal, Operating Instructions | 1 |
| 5 | 102540801 | Scorecard Plate Assembly (includes items 6 through 13) | 1 |
| 6 | 1011697 | Washer, 5/16 Flat | 6 |
| 7 | 1012565 | Screw, #12 Phillips Round Head | 2 |
| 8 | 1012566 | Tapered Compression Spring | 2 |
| 9 | 1016154 | Clip, Scorecard | 1 |
| 10 | 1016214 | Pencil Grip | 1 |
| 11 | 102296020 | Screw, Torx Pan Hd Pt, M6 X 20 | 4 |
| 12 | N/A | Scorecard Plate, Comfort Grip | 1 |
| 13 | N/A | Scorecard Back Plate | 1 |
| 14 | 102571301 | Shroud, Steering Column | 1 |

5
G
E

5

G

E

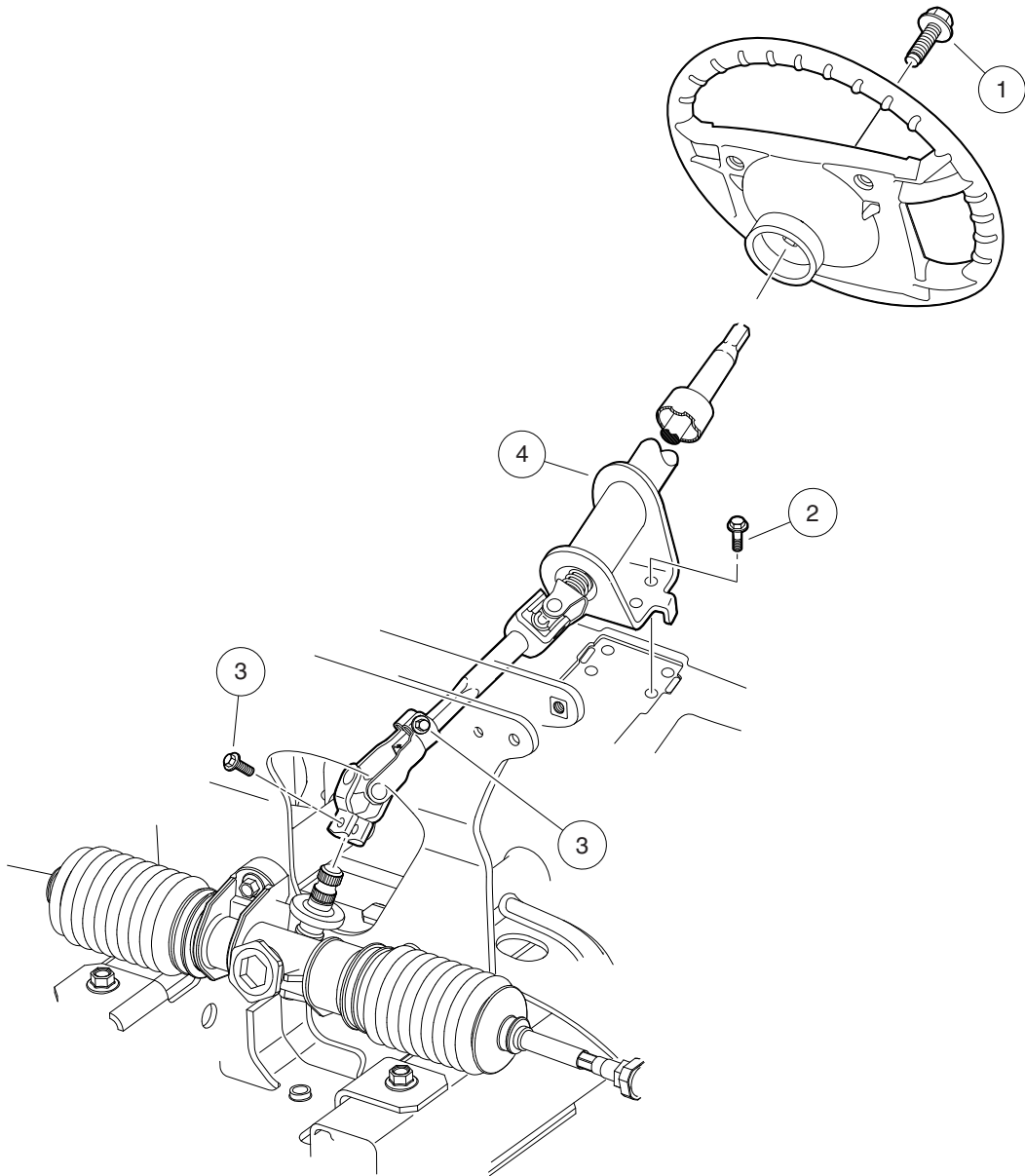


000471-001

STEERING WHEEL – PROFESSIONAL

| ITEM | PART NO. | DESCRIPTION | QTY |
|------|-----------|---|-----|
| | | 1 2 3 4 | |
| 1 | 101615602 | Wheel Assy, Tri-Lobe Steering | 1 |
| 2 | 1016219 | Plate, Scorecard (includes items 3 through 7) | 1 |
| 3 | 1012565 | Screw, #12 Phillips Round Head | 2 |
| 4 | 1012566 | Tapered Compression Spring | 2 |
| 5 | 1016154 | Clip, Scorecard | 1 |
| 6 | N/A | Plate, Score Card | 1 |
| 7 | 1016214 | Pencil Grip | 1 |
| 8 | 1016663 | Screw, #12-14 X 0.625 | 2 |

5
G
E

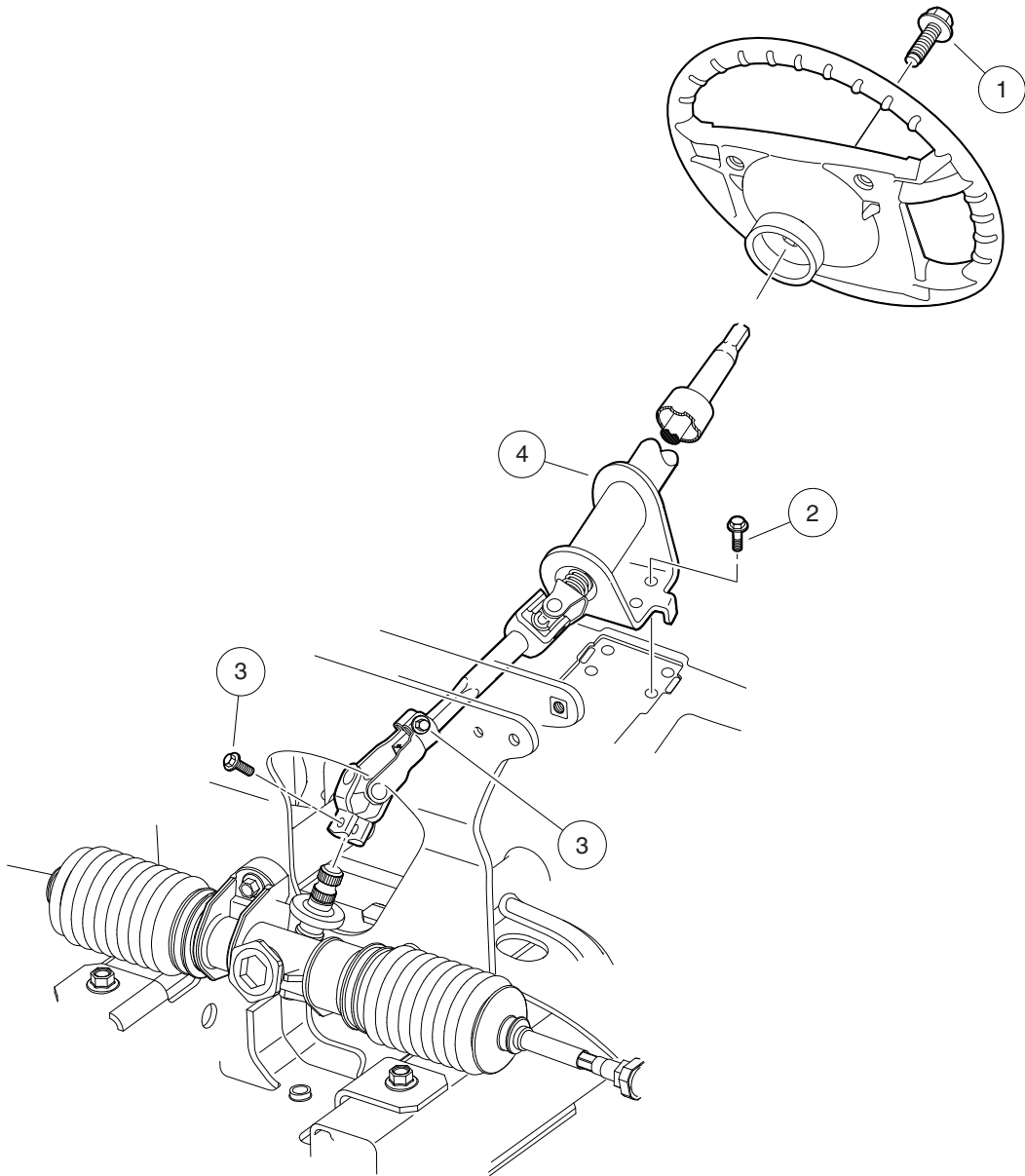


000469-002

STEERING COLUMN

| ITEM | PART NO. | DESCRIPTION | QTY |
|------|-----------|------------------------------------|-----|
| | | 1 2 3 4 | |
| 1 | 102290120 | Bolt, M10 X 20 Hex Washer Hd | 1 |
| 2 | 102298116 | Bolt - Flanged Hd, M8 X 16.0 | 4 |
| 3 | 102298130 | Bolt, Flange Head, M8 X 30.0 | 2 |
| 4 | 103209501 | Assy, Steering Column, Ld | 1 |

5
G
E



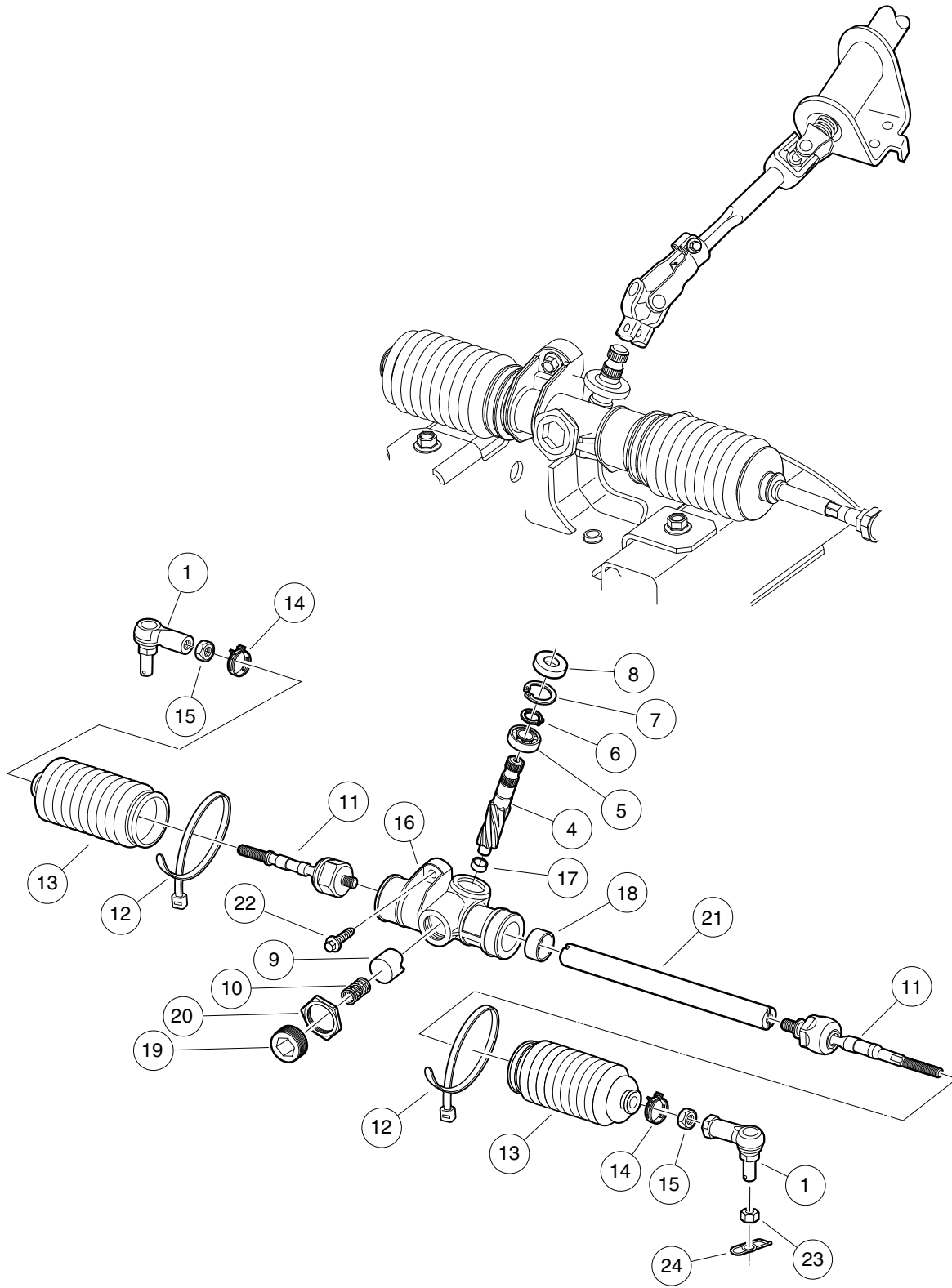
000469-001

STEERING COLUMN – ELECTRIC VEHICLES

| ITEM | PART NO. | DESCRIPTION | QTY |
|------|-----------|------------------------------------|-----|
| | | 1 2 3 4 | |
| 1 | 102290120 | Bolt, M10 X 20 Hex Washer Hd | 1 |
| 2 | 102298116 | Bolt - Flanged Hd, M8 X 16.0 | 4 |
| 3 | 102298130 | Bolt, Flange Head, M8 X 30.0 | 2 |
| 4 | 102507101 | Steering Column Assembly | 1 |

5
G
E

5
G
E

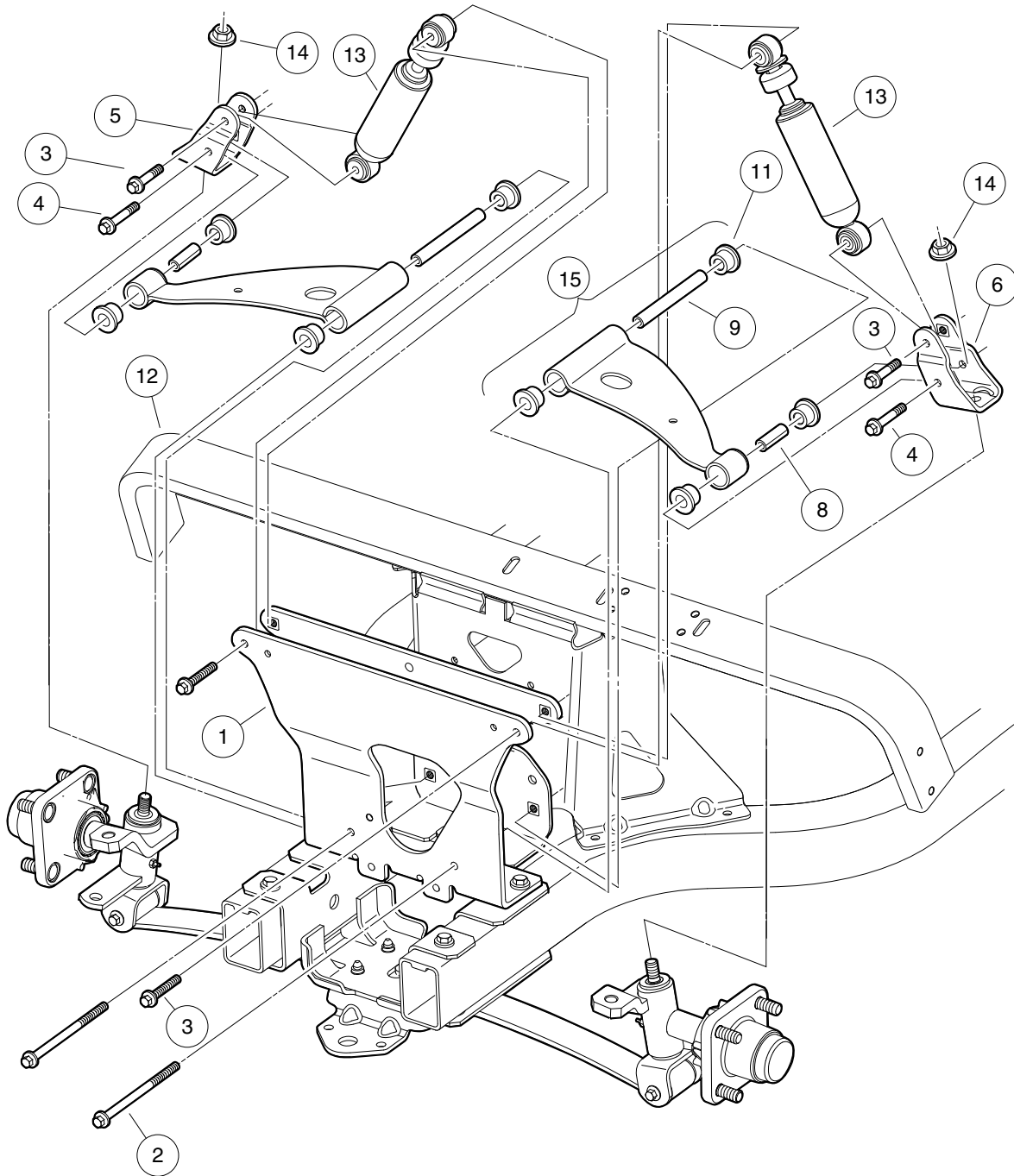


000476-001

STEERING GEAR ASSEMBLY

| ITEM | PART NO. | DESCRIPTION | QTY | |
|------|-----------|--|-----|----------|
| | | 1 2 3 4 | | 5 |
| 1 | 102022601 | End, Tie Rod M12 X 1.25 | 2 | G |
| 2 | 102288601 | Steering Gear Box Assembly (includes items 3 through 21) | 1 | E |
| 3 | 102564901 | Asm, Pinion, Steer Gear, Prec (includes items 4 through 6) | 1 | |
| 4 | N/A | Pinion, Steering | 1 | |
| 5 | N/A | Bearing, Ball | 1 | |
| 6 | N/A | Ring, Retaining | 1 | |
| 7 | 102565101 | Ring, C-type, Stop, Prec | 1 | |
| 8 | 102565201 | Seal, Dust, Steering, Pinion | 1 | |
| 9 | 102565301 | Yoke, Support | 1 | |
| 10 | N/A | Spring, Yoke, Prec | 1 | |
| 11 | 102565701 | Assy, Ball Joint, Inner, Prec | 2 | |
| 12 | 102565801 | Wrap, Tie, Steel, Prec | 2 | |
| 13 | 102565901 | Bellows, Steering | 2 | |
| 14 | 102566001 | Clip, Steering, Prec | 2 | |
| 15 | 102566101 | Nut,m12-1.25,jam,steer,prec | 2 | |
| 16 | N/A | Housing, Pinion (includes items 17 and 18) | 1 | |
| 17 | N/A | Bearing, Needle | 1 | |
| 18 | N/A | Bushing, Rack | 1 | |
| 19 | N/A | Plug, Yoke | 1 | |
| 20 | N/A | Nut, Lock, Rack Screw | 1 | |
| 21 | N/A | Rack, Steering | 1 | |
| 22 | 102289001 | Screw, M8X1.25X30, Hex | 3 | |
| 23 | 102289201 | Nut - Hex Locking, M12 X 1.25 | 2 | |
| 24 | 102289301 | Rue Ring - 1/2" | 2 | |

5
G
E



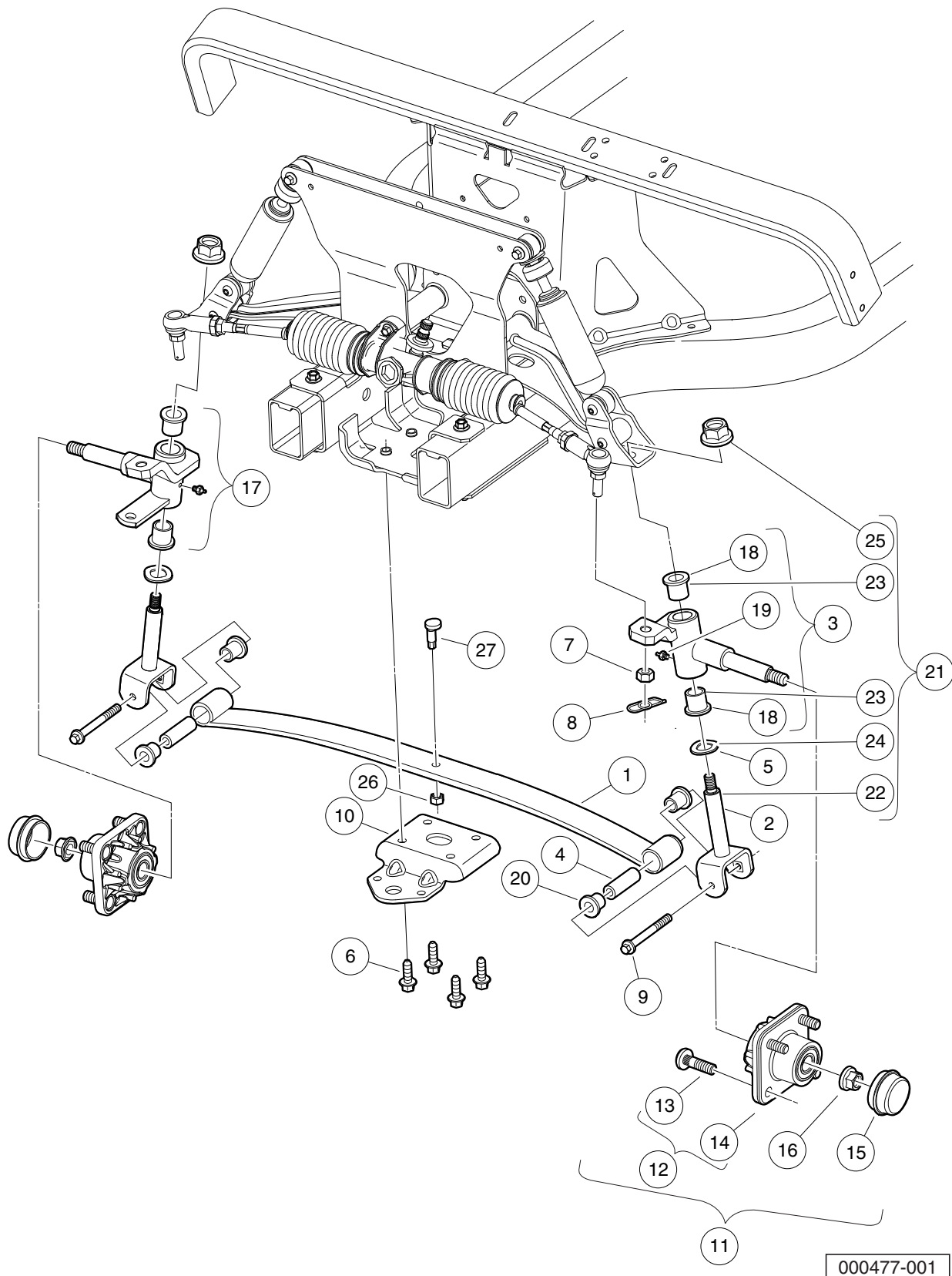
000445-001

FRONT SUSPENSION, UPPER

| ITEM | PART NO. | DESCRIPTION | QTY |
|------|-----------|---|-----|
| | | 1 2 3 4 | |
| 1 | 102287101 | Assembly - Front Structure | 1 |
| 2 | 102288901 | Bolt-hex Fl, M8 X 1.25 X 135 | 2 |
| 3 | 102289401 | Screw- Hex Cap, M8 X 1.25 X 45 | 4 |
| 4 | 102289501 | Screw- Hex Cap, M8 X 1.25 X 70 | 2 |
| 5 | 102289601 | Upper Clevis Assembly - Rh | 1 |
| 6 | 102289701 | Upper Clevis Assembly - Lh | 1 |
| 7 | 102289901 | Kit, Susp, Bushing Joints (includes items 8 through 11) | 1 |
| 8 | 102287601 | Sleeve - Rolled, Outer | 2 |
| 9 | 102287701 | Sleeve - Rolled, Inner | 2 |
| 10 | 102288101 | Sleeve - Rolled, Spring | 2 |
| 11 | 102956201 | Bushing, Urethane, Short, Prec | 12 |
| 12 | 102505701 | Assembly, Dash Support | 1 |
| 13 | 102588601 | Shock Absorber Front Prv Spd | 2 |
| 14 | 102878201 | Nut, Lock,m12,washer,conical | 2 |
| 15 | 103388501 | Asm, 3 Piece A-arm, Bushings | 2 |
| | | <p>Note: Item 15 includes bushings and sleeves. Item 7 (not shown) includes bushings and sleeves for control arms, and front suspension leaf spring. See lower suspension page for illustration of item 10.</p> | |

5
G
E

5
G
E

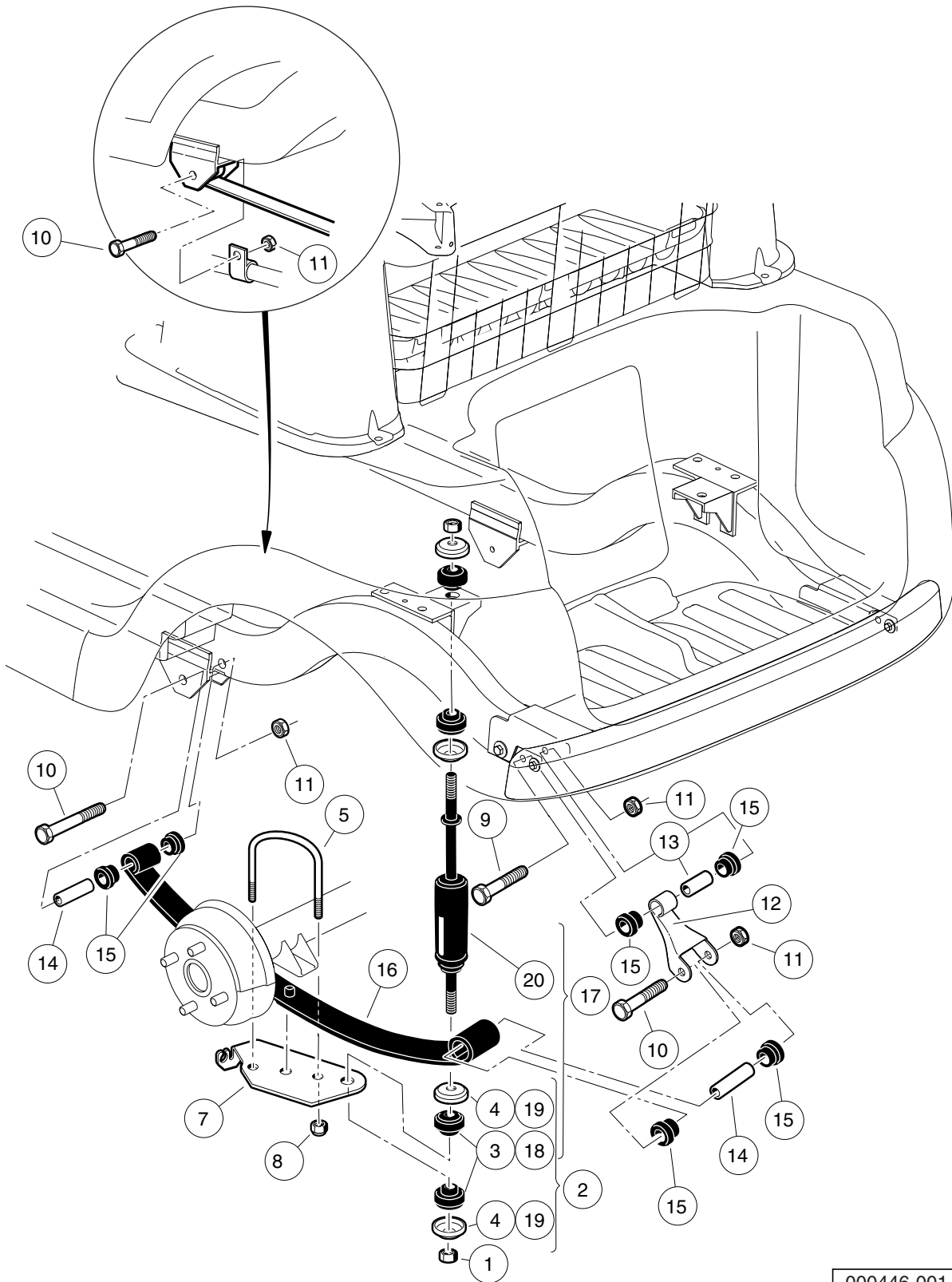


FRONT SUSPENSION, LOWER

| ITEM | PART NO. | DESCRIPTION | QTY |
|---|-----------|---|-----|
| | | 1 2 3 4 | |
| 1 | 1012030 | Spring, Front Leaf | 1 |
| 2 | 102287201 | Assembly - King Pin | 2 |
| 3 | 102287901 | Knuckle Spindle Asm - Lh | 1 |
| 4 | 102288101 | Sleeve - Rolled, Spring | 2 |
| 5 | 102288401 | Wave Washer - Kingpin | 2 |
| 6 | 102289101 | Screw-m10x1.5, Trilob, Hex Fl | 4 |
| 7 | 102289201 | Nut - Hex Locking, M12 X 1.25 | 2 |
| 8 | 102289301 | Rue Ring - 1/2" | 2 |
| 9 | 102289501 | Screw- Hex Cap, M8 X 1.25 X 70 | 2 |
| 10 | 102289801 | Clamp - Leaf Spring | 1 |
| 11 | 102357701 | Replacement Kit, Front Hub (includes items 12 through 16) | 1 |
| 12 | N/A | Front Hub Assembly, Ball Bearing (includes items 13 and 14) | 1 |
| 13 | 102353401 | Lug Stud, 1/2-20 UNF, 4037 Stl | 4 |
| 14 | N/A | Hub, Front | 1 |
| 15 | 102353201 | Cap, Front Hub | 1 |
| 16 | 102353301 | Hex Nut, Locking Flange, M14x2 | 1 |
| 17 | 102878101 | Assy, Knuckle, Right Side (includes items 18 and 19) | 1 |
| 18 | N/A | Bushings, Knuckle Spindle Asym | 2 |
| 19 | N/A | Fitting, Grease, Knuckle Spindle Asym | 1 |
| 20 | 102956201 | Bushing, Urethane, Short, Prec | 4 |
| 21 | 102973801 | Kit, Susp, Kingpin Joints (includes items 22 through 25) | 1 |
| 22 | 102287201 | Assembly - King Pin | 2 |
| 23 | N/A | Bushing - Flanged | 4 |
| 24 | 102288401 | Wave Washer - Kingpin | 2 |
| 25 | 102878201 | Nut, Lock,m12,washer,conical | 2 |
| 26 | 706 | Nut, Hex 3/8-16 | 1 |
| 27 | 8745 | Screw, Eccentric Adjustment | 1 |
| Note: Note: Item 15 not used in all applications. | | | |

5
G
E

5
G
E



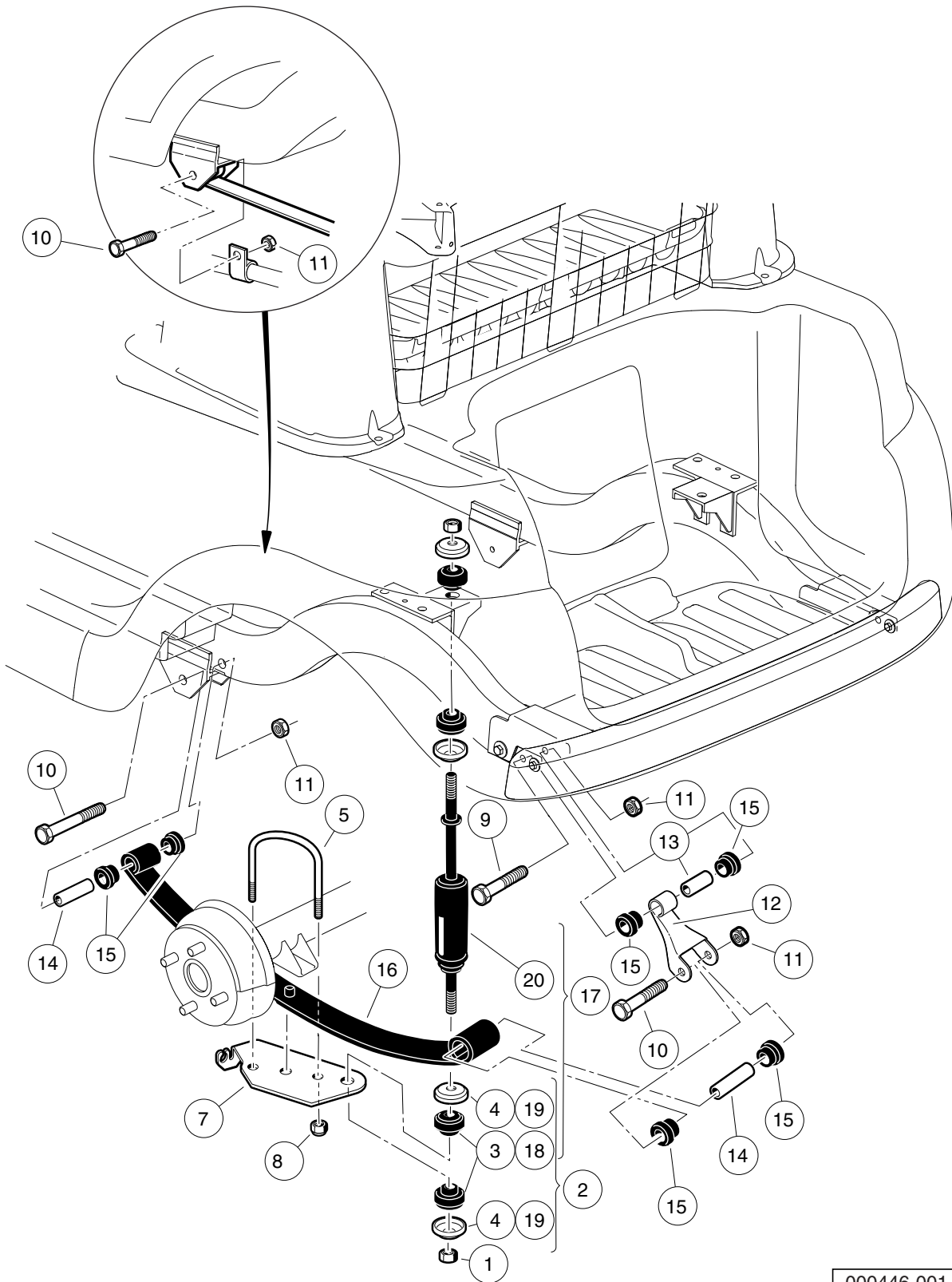
000446-001

REAR SUSPENSION – GASOLINE VEHICLE

| ITEM | PART NO. | DESCRIPTION | QTY |
|------|-----------|---|-----|
| | | 1 2 3 4 | |
| 1 | 1010145 | Nut, 3/8-24 Hex | 4 |
| 2 | 1011415 | Kit, Shock Absorber Cushion (includes items 3 and 4) | 2 |
| 3 | N/A | Cushion, Shock Absorber | 2 |
| 4 | N/A | Retainer, Shock Absorber Cushion | 2 |
| 5 | 1012180 | U-Bolt | 2 |
| 6 | 1012181 | Bracket, Shock Mounting, Right (Passenger) | 1 |
| 7 | 1012182 | Bracket, Shock Mounting, Left (Driver) | 1 |
| 8 | 1014555 | Locknut, 7/16-14 Nylon Insert | 4 |
| 9 | 102298170 | Bolt - Flange Hd, M8 X 70.0 | 2 |
| 10 | 102298185 | Bolt - Flange Hd, M8 X 85.0 | 4 |
| 11 | 102298401 | Nut,m8,all Metal Lock | 6 |
| 12 | 102506201 | Shackle - Rear | 2 |
| 13 | 102506301 | Sleeve - Shackle Upper | 2 |
| 14 | 102506401 | Sleeve - Spring Eye Mounts | 4 |
| 15 | 102506601 | Bushing - Urethane | 12 |
| 16 | 102513001 | Rear Leaf Spring, Gas | 2 |
| 17 | N/A | Kit, Shock Absorber, Private Speed (includes items 18 through 20) | 1 |
| 18 | N/A | Cushion, Shock Absorber | 8 |
| 19 | N/A | Retainer, Shock Absorber Cushion | 8 |
| 20 | 102588501 | Shock Absorber Rear Prv Spd | 2 |

5
G
E

5
G
E

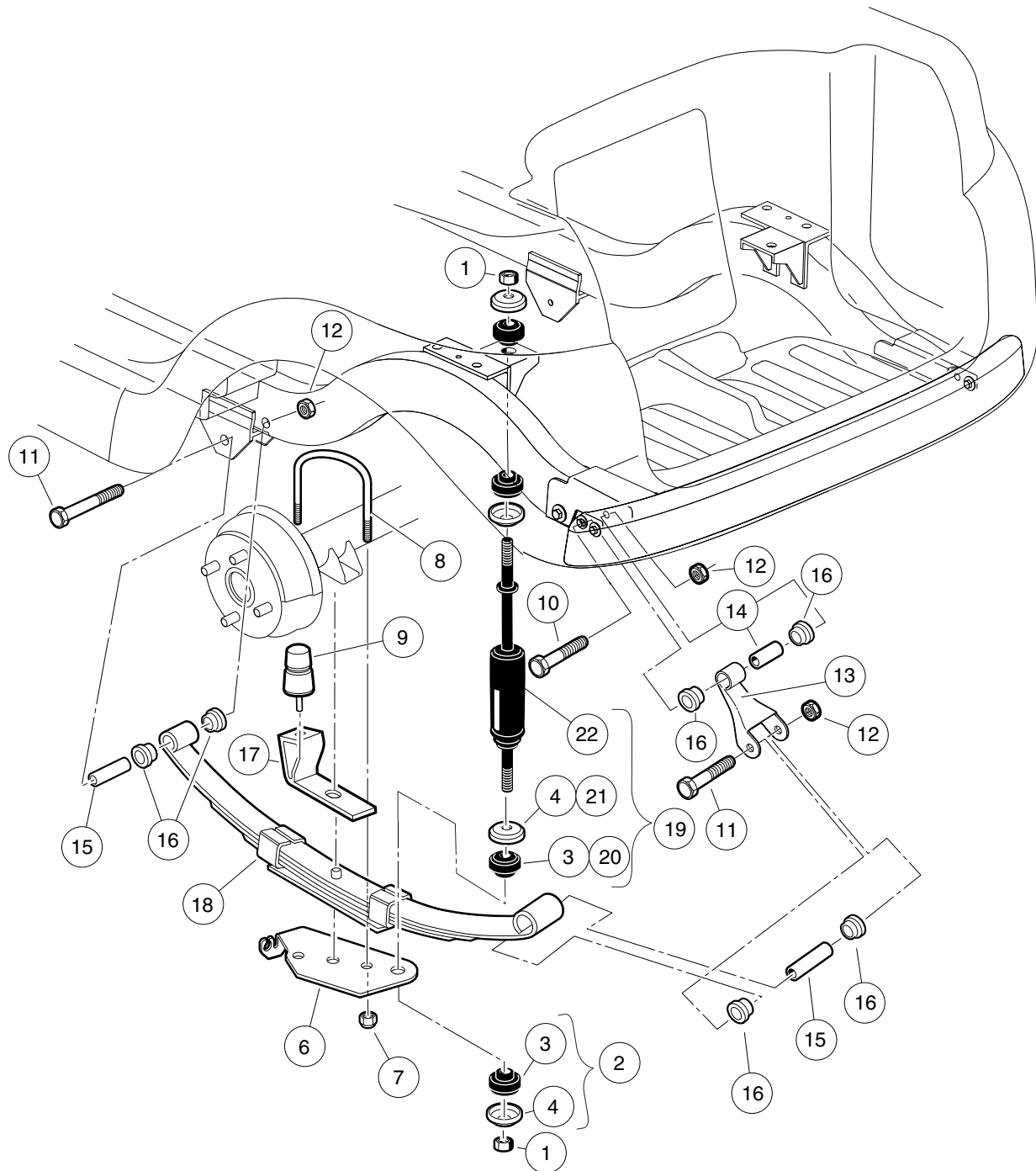


000446-001

REAR SUSPENSION – ELECTRIC VEHICLE

| ITEM | PART NO. | DESCRIPTION | QTY | 5 |
|------|-----------|---|-----|----------|
| | | 1 2 3 4 | | |
| 1 | 1010145 | Nut, 3/8-24 Hex | 4 | G |
| 2 | 1011415 | Kit, Shock Absorber Cushion (includes items 3 and 4) | 2 | E |
| 3 | N/A | Cushion, Shock Absorber | 2 | |
| 4 | N/A | Retainer, Shock Absorber Cushion | 2 | |
| 5 | 1012180 | U-Bolt | 2 | |
| 6 | 1012181 | Bracket, Shock Mounting, Right (Passenger) | 1 | |
| 7 | 1012182 | Bracket, Shock Mounting, Left (Driver) | 1 | |
| 8 | 1014555 | Locknut, 7/16-14 Nylon Insert | 4 | |
| 9 | 102298170 | Bolt - Flange Hd, M8 X 70.0 | 2 | |
| 10 | 102298185 | Bolt - Flange Hd, M8 X 85.0 | 4 | |
| 11 | 102298401 | Nut,m8,all Metal Lock | 6 | |
| 12 | 102506201 | Shackle - Rear | 2 | |
| 13 | 102506301 | Sleeve - Shackle Upper | 2 | |
| 14 | 102506401 | Sleeve - Spring Eye Mounts | 4 | |
| 15 | 102506601 | Bushing - Urethane | 12 | |
| 16 | 102509301 | Rear Leaf Spring, Elec | 2 | |
| 17 | N/A | Kit, Shock Absorber, Private Speed (includes items 18 through 20) | 1 | |
| 18 | N/A | Cushion, Shock Absorber | 8 | |
| 19 | N/A | Retainer, Shock Absorber Cushion | 8 | |
| 20 | 102588501 | Shock Absorber Rear Prv Spd | 2 | |

5
G
E



000492-001

REAR SUSPENSION – PRECEDENT VILLAGER 4

| ITEM | PART NO. | DESCRIPTION | QTY |
|------|-----------|---|-----|
| | | 1 2 3 4 | |
| 1 | 1010145 | Nut, 3/8-24 Hex | 4 |
| 2 | 1011415 | Kit, Shock Absorber Cushion (includes items 3 and 4) | 2 |
| 3 | N/A | Cushion, Shock Absorber | 2 |
| 4 | N/A | Retainer, Shock Absorber Cushion | 2 |
| 5 | 1012181 | Bracket, Shock Mounting, Right (Passenger) | 1 |
| 6 | 1012182 | Bracket, Shock Mounting, Left (Driver) | 1 |
| 7 | 1014555 | Locknut, 7/16-14 Nylon Insert | 4 |
| 8 | 1014902 | U-Bolt | 2 |
| 9 | 1017235 | Bumper, Jounce | 2 |
| 10 | 102298170 | Bolt - Flange Hd, M8 X 70.0 | 2 |
| 11 | 102298185 | Bolt - Flange Hd, M8 X 85.0 | 4 |
| 12 | 102298401 | Nut,m8,all Metal Lock | 6 |
| 13 | 102506201 | Shackle - Rear | 2 |
| 14 | 102506301 | Sleeve - Shackle Upper | 2 |
| 15 | 102506401 | Sleeve - Spring Eye Mounts | 4 |
| 16 | 102506601 | Bushing - Urethane | 12 |
| 17 | 102534801 | Jounce Bumper Bracket | 2 |
| 18 | 102544901 | Spril, Leaf, Rear | 2 |
| 19 | N/A | Kit, Shock Absorber, Private Speed (includes items 20 through 22) | A/R |
| 20 | N/A | Cushion, Shock Absorber | 8 |
| 21 | N/A | Retainer, Shock Absorber Cushion | 8 |
| 22 | 102588501 | Shock Absorber Rear Prv Spd | 2 |

5
G
E

5

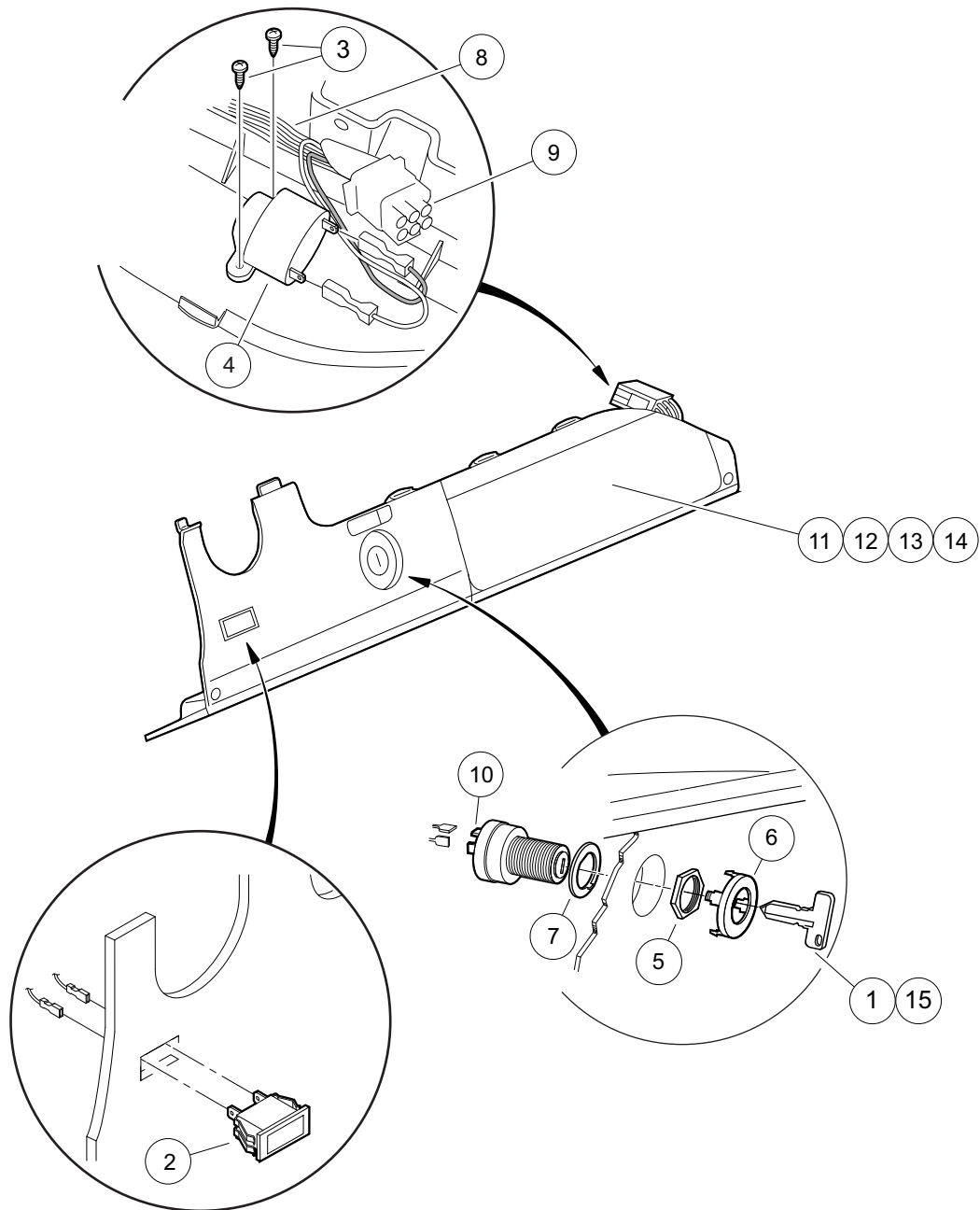
G

E

ELECTRICAL SYSTEM – GASOLINE VEHICLE

6

G



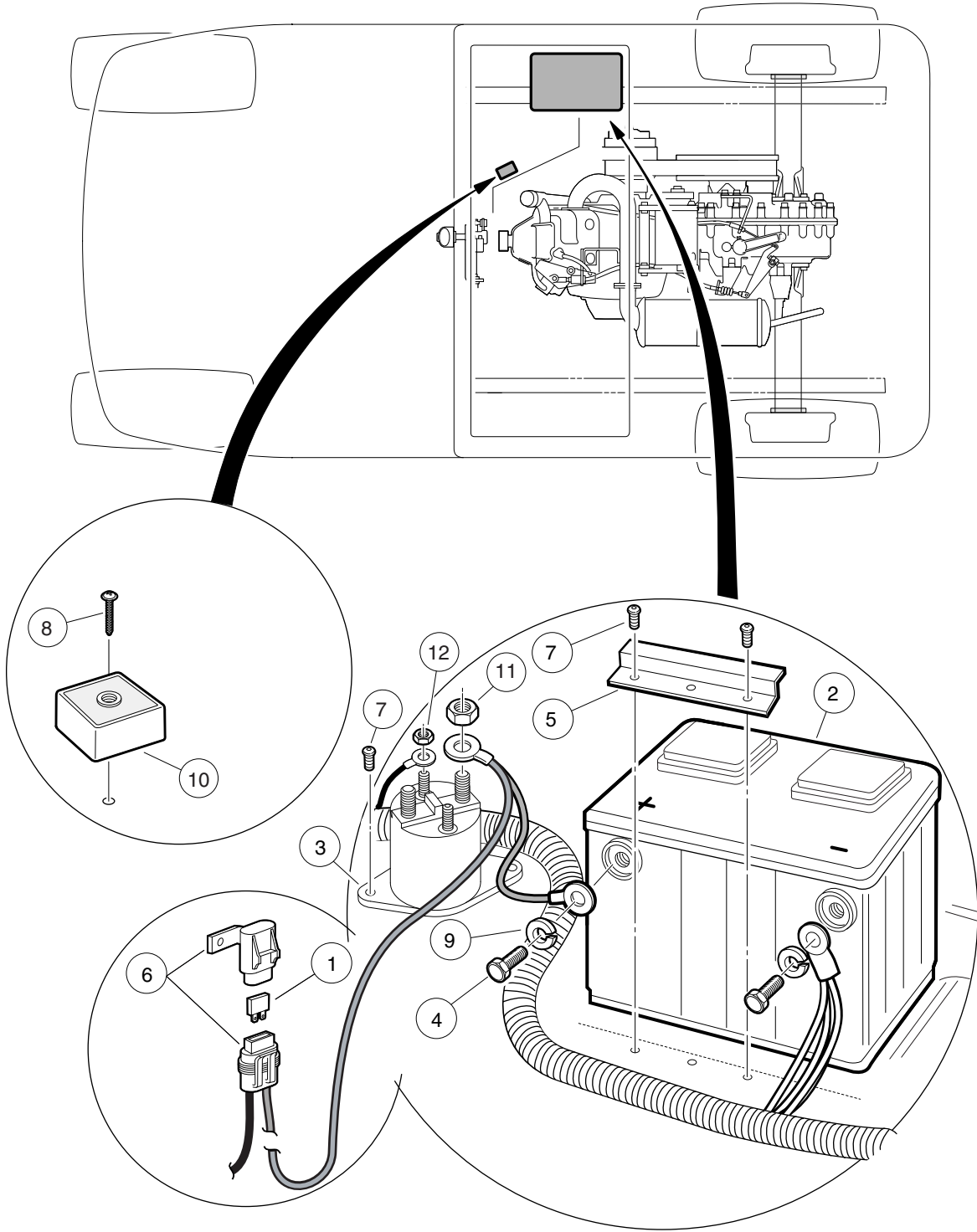
000490-002

ELECTRICAL COMPONENTS, FRONT BODY – GASOLINE VEHICLE

| ITEM | PART NO. | DESCRIPTION | QTY |
|------|-----------|--|-----|
| | | 1 2 3 4 | |
| 1 | 1012505 | Keys (set of 2) | 1 |
| 2 | 1016630 | Light, Oil | 1 |
| 3 | 1016849 | Screw, #4-24 X 0.33 Pan-Head Machine | 2 |
| 4 | 1016851 | Buzzer, Reverse (9-48 VDC) | 1 |
| 5 | 101830701 | Nut, Key Switch | 1 |
| 6 | 101834502 | Cap, Black Key Switch | 1 |
| 7 | 101851101 | Washer, Key Switch | 1 |
| 8 | 102515001 | Ip Control Harness, Gas (includes item 9) | 1 |
| 9 | N/A | Connector, Plug 9-pin | 1 |
| 10 | 102515101 | Key Switch, Gas, Prec | 1 |
| 11 | 102522901 | Instrument Panel (standard) | 1 |
| 12 | 102536601 | Instrument Panel (with Hole for Headlight Switch) | 1 |
| 13 | 102536602 | Instrument Panel (with Hole for Fuel Gauge) | 1 |
| 14 | N/A | Instrument Panel (with Hole for Headlight Switch and Fuel Gauge) | 1 |
| 15 | AM10079 | Bulk Std Keys (50) * | 1 |
| | | * Note: Must order in multiples of 50. | |

6
G

6
G

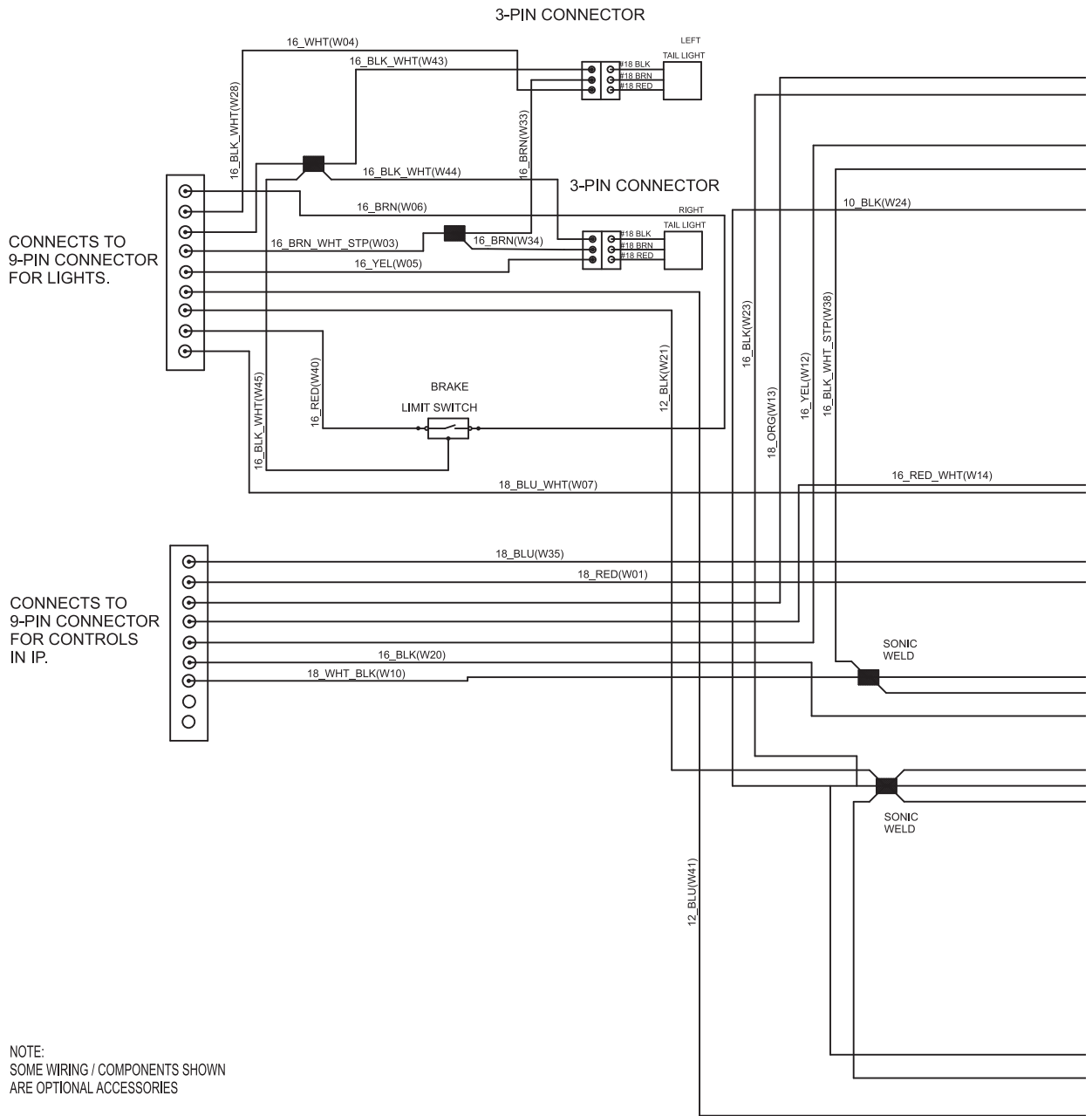


000479-001

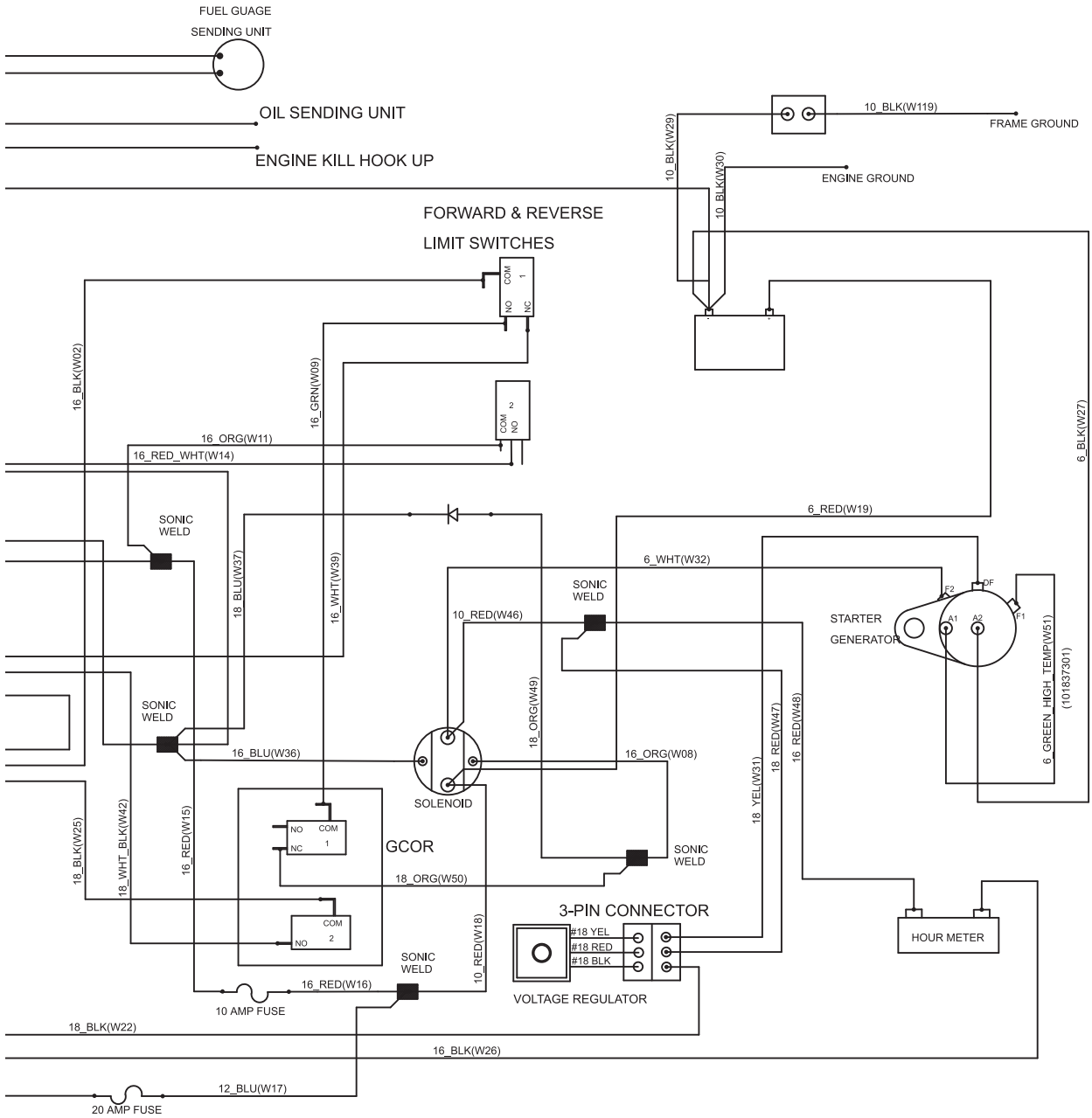
BATTERY – GASOLINE VEHICLE

| ITEM | PART NO. | DESCRIPTION | QTY |
|------|-----------|---|-----|
| | | 1 2 3 4 | |
| 1 | 1012295 | Fuse, 10-Amp | 1 |
| 2 | 1012328 | Battery, 12-Volt | 1 |
| 3 | 1013609 | Solenoid, 12-Volt | 1 |
| 4 | 1014375 | Screw, 3/8-16 X 0.50 Stainless Steel Hex-Head | 2 |
| 5 | 101898001 | Clamp, Battery | 1 |
| 6 | N/A | Cover, Fuse, Sealed, Metri | 1 |
| 7 | 102296020 | Screw, Torx Pan Hd Pt, M6 X 20 | 4 |
| 8 | 102296040 | Screw, Torx Pan Hd Pt, M6 X 40 | 1 |
| 9 | 102355301 | Lockwasher, 3/8 Stainless Stl | 2 |
| 10 | 102803301 | Asm, Voltage Regulator, Prec. | 1 |
| 11 | 1242 | Nut, 5/16-18 Hex | 2 |
| 12 | 7893 | Nut, #10-32 Hex | 2 |

6
G



000481-001



000481-001

6

G

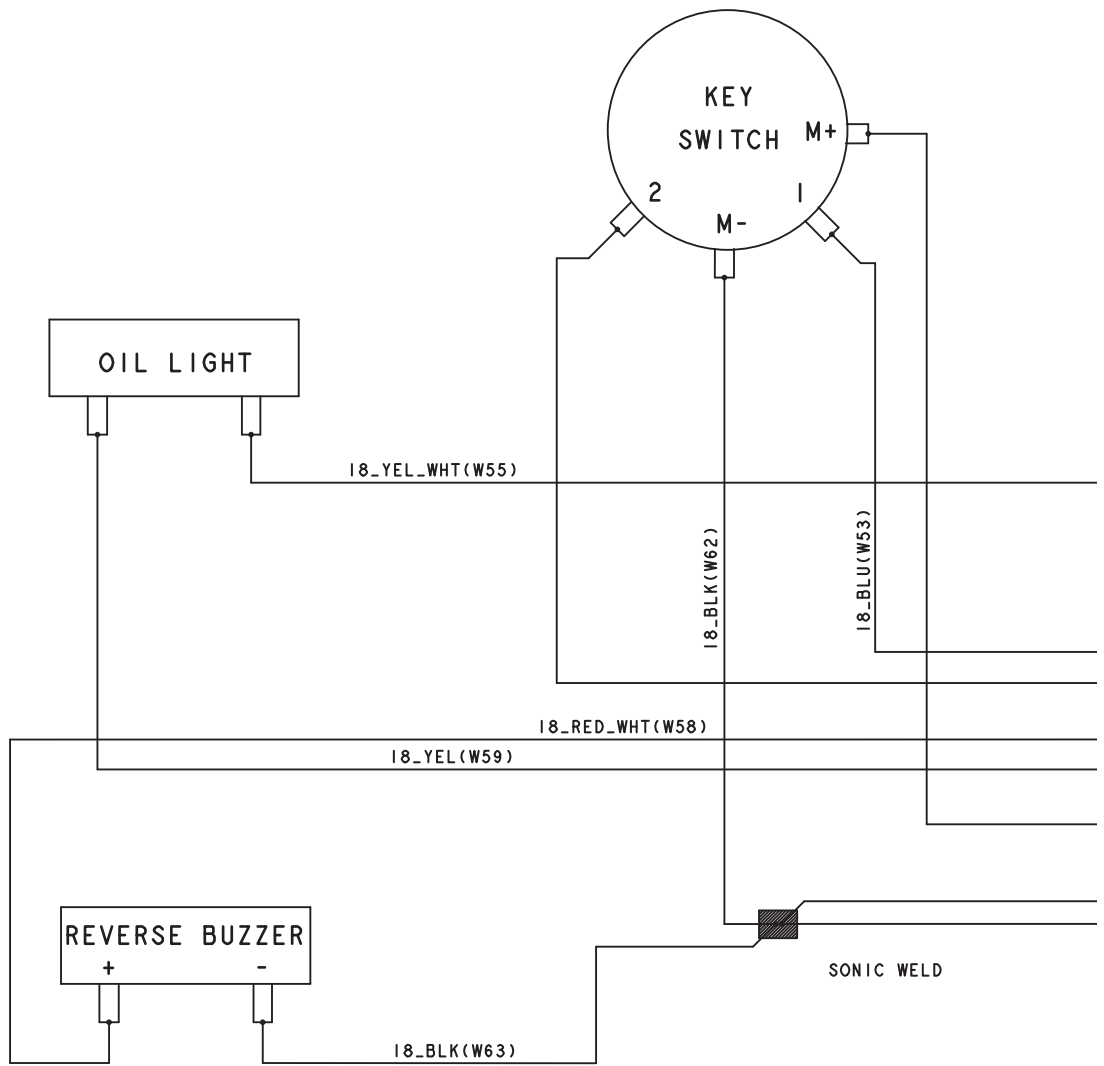
See previous two pages for illustration.

WIRING – GASOLINE VEHICLE

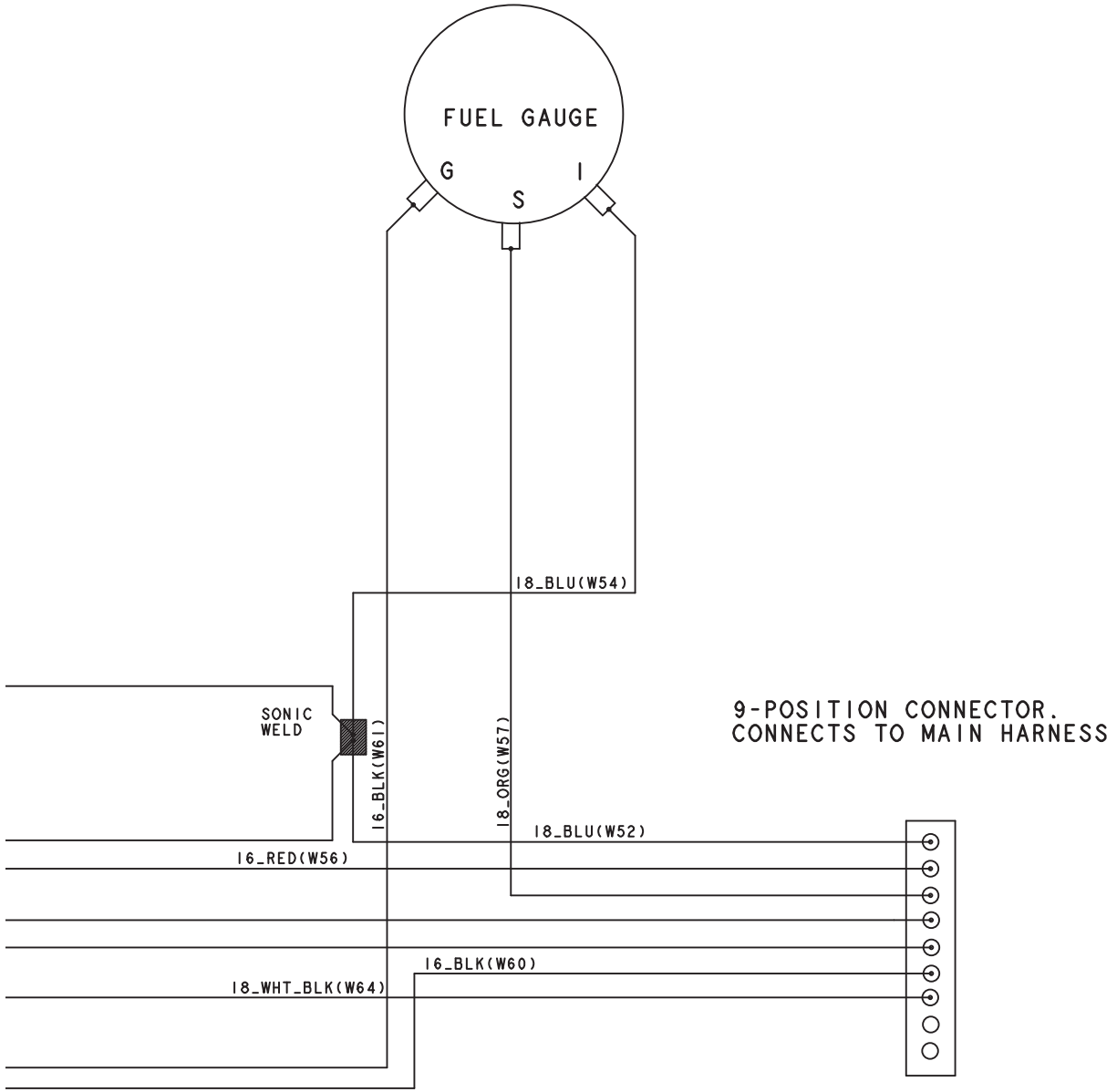
| ITEM | PART NO. | DESCRIPTION | QTY |
|------|-----------|------------------------------------|-----|
| 1 | 102586201 | 1 2 3 4 Main Harness, Gas | 1 |

6

G



000489-001



000489-001

6

G

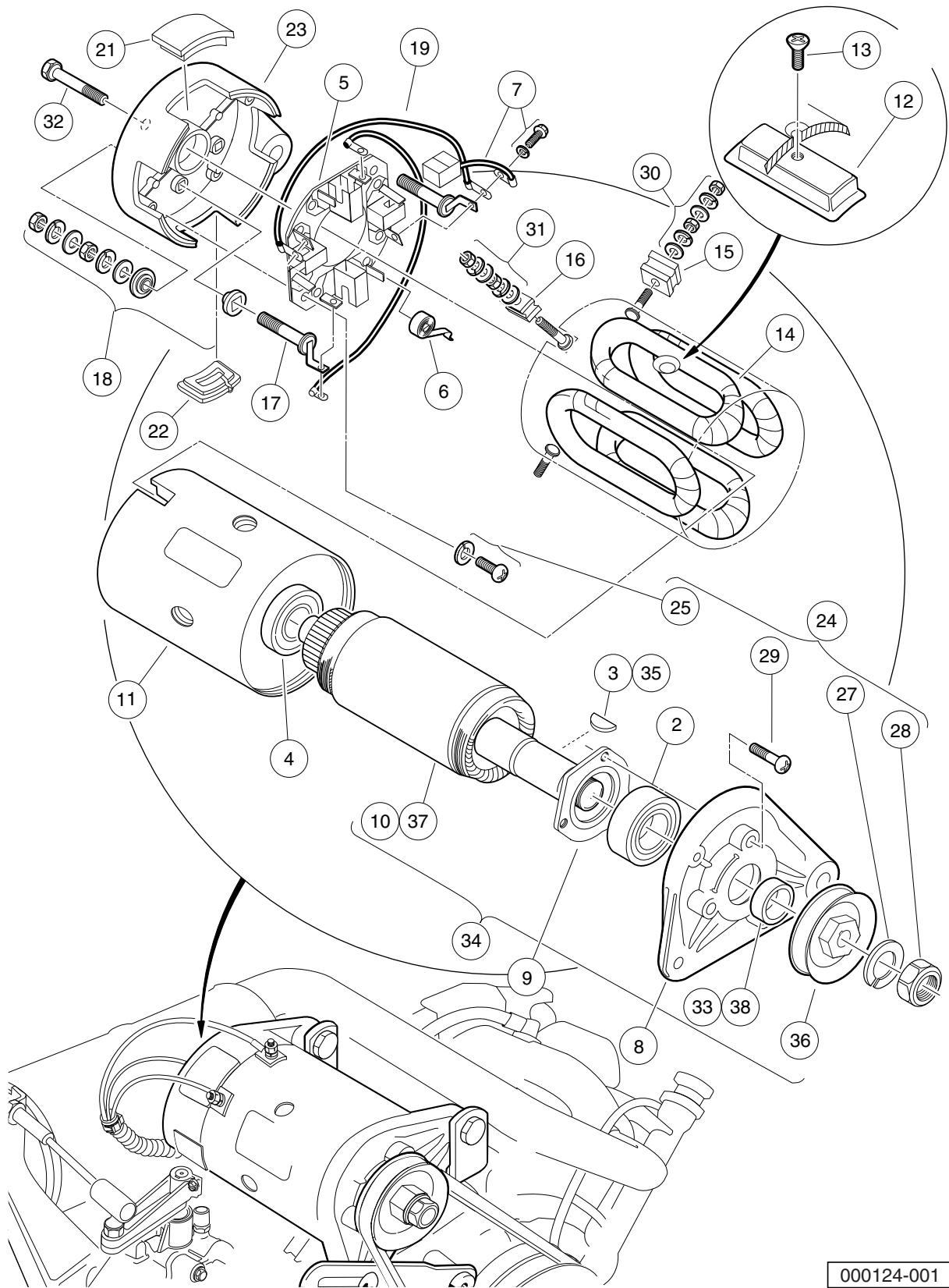
See previous two pages for illustration.

INSTRUMENT PANEL WIRE HARNESS

| ITEM | PART NO. | DESCRIPTION | QTY |
|------|-----------|--|-----|
| 1 | 102515001 | 1 2 3 4 Ip Control Harness, Gas (includes item 2) | 1 |
| 2 | N/A | Connector, Plug 9-pin | 1 |

6
G

6
G

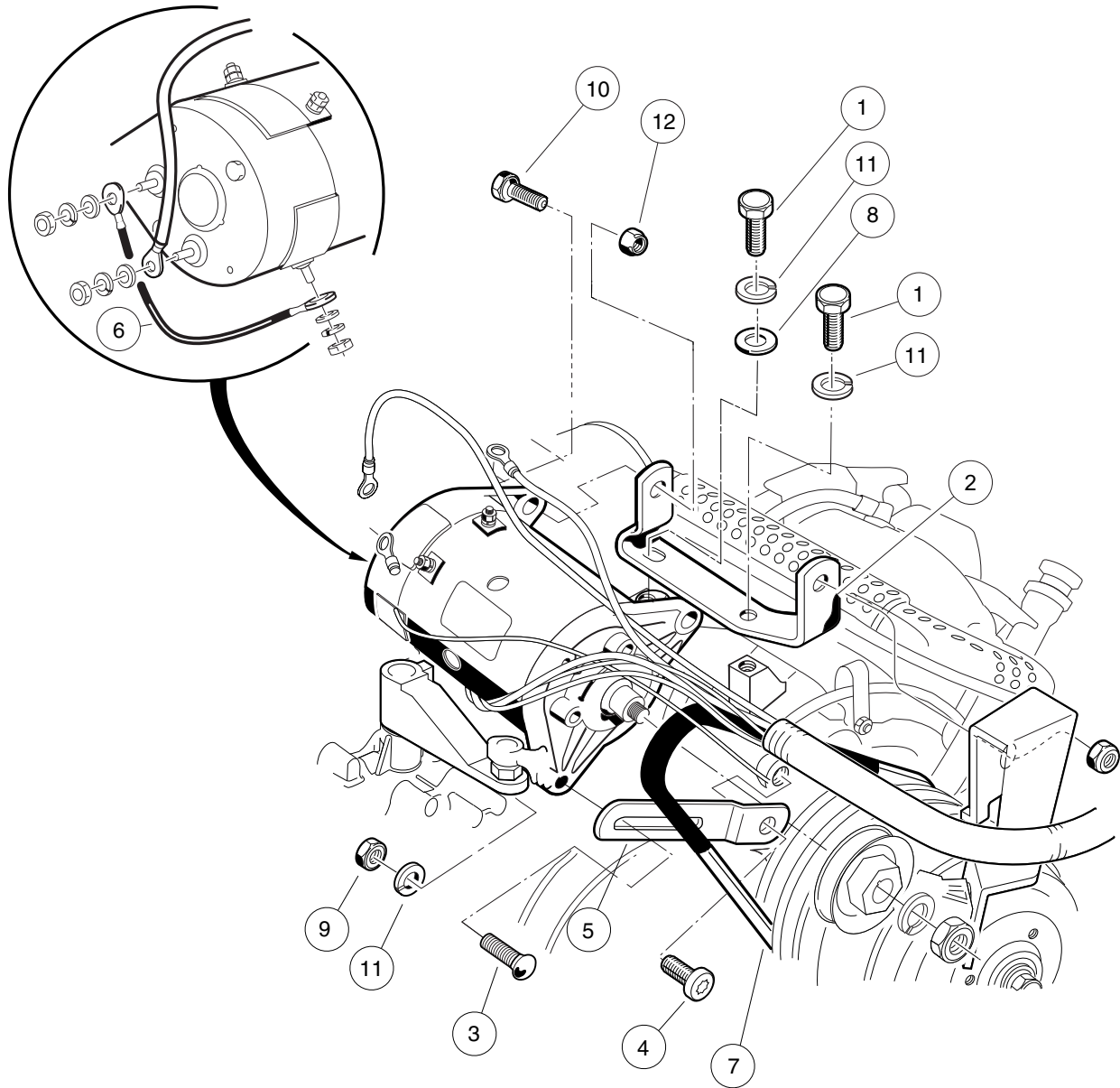


000124-001

STARTER/GENERATOR ASSEMBLY MODEL G425419 – GASOLINE VEHICLES

| ITEM | PART NO. | DESCRIPTION | QTY |
|---|-----------|--|-----|
| | | 1 2 3 4 | |
| 1 | 101833701 | Starter/Generator (cw) (includes items 2 through 33) | 1 |
| 2 | 1013001 | Bearing, Output Shaft Ball | 1 |
| 3 | 1013003 | Key, Starter/Generator | 1 |
| 4 | 1013005 | Bearing, Ball | 1 |
| 5 | 101301102 | Brush Holder Assembly (cw) (includes item 6) | 1 |
| 6 | 101878101 | Brush Spring Set | 4 |
| 7 | 101869302 | Brush and Screw Set (cw) | 1 |
| 8 | 101874901 | Front Bracket | 1 |
| 9 | 101875001 | Retainer | 1 |
| 10 | N/A | Armature | 1 |
| 11 | 101875201 | Field Coil Housing | 1 |
| 12 | 101875301 | Pole Set | 1 |
| 13 | 101875401 | Screw Set | 1 |
| 14 | 101875501 | Field Stator Coil Assembly | 1 |
| 15 | 101875601 | F Insulator Set | 2 |
| 16 | 101875701 | DF Insulator | 1 |
| 17 | 101875802 | A Connector (cw) | 1 |
| 18 | 101876001 | Screw and Mold Assembly | 2 |
| 19 | 101876202 | Brush Connector Assembly (cw) | 2 |
| 20 | 101876301 | Cover Set (includes items 21 and 22) | 1 |
| 21 | N/A | Brush Inspection Port Cover | 3 |
| 22 | N/A | Brush Port Cover w/Drain | 1 |
| 23 | 101876402 | Rear Bracket (cw) | 1 |
| 24 | 101876501 | Nut and Screw Set (includes items 25 through 29) | 1 |
| 25 | 101896501 | Brush Holder Asm Screw | 2 |
| 26 | N/A | Washer, M5 Flat | 1 |
| 27 | N/A | Washer, M14 Lock | 1 |
| 28 | N/A | Nut, Hex, M14 x 2 | 1 |
| 29 | N/A | Screw, M5 x 0.8 x 18mm | 3 |
| 30 | 101877601 | Nut and Washer Set | 2 |
| 31 | 101877701 | Nut and Washer Set | 1 |
| 32 | 101879001 | Through Bolt Set | 2 |
| 33 | 101939901 | Spacer | 1 |
| 34 | 101875102 | Armature Asm Conversion Kit (includes items 35 through 38) | 1 |
| 35 | 1013003 | Key, Starter/Generator | 1 |
| 36 | 1014289 | Pulley, Starter/Generator | 1 |
| 37 | N/A | Armature | 1 |
| 38 | 101939901 | Spacer | 1 |
| <p style="text-align: center;">Note: Item 36 will ONLY fit Model G425419 Starter/Generator.</p> | | | |

6
G



000238-004

STARTER/GENERATOR MOUNTING – FE350

| ITEM | PART NO. | DESCRIPTION | QTY |
|------|-----------|---|-----|
| | | 1 2 3 4 | |
| 1 | 1012830 | Screw, M8-125 X 22 Hex-Head | 2 |
| 2 | 101524002 | Bracket, Starter/Generator Mounting | 1 |
| 3 | 1015932 | Bolt, Carriage, 5/16-18 | 1 |
| 4 | 1016074 | Screw, M8-1.25 X 18mm Torx | 1 |
| 5 | 1016883 | Bracket, Starter/Generator Adjustment | 1 |
| 6 | 101837301 | Wire Assy, #6 Green | 1 |
| 7 | 101916701 | V-Belt | 1 |
| 8 | 1241 | Washer, 5/16 Type A Flat | 1 |
| 9 | 1242 | Nut, 5/16-18 Hex | 1 |
| 10 | 1624 | Screw, 3/8-16 X 1.50 Hex-Head Cap | 2 |
| 11 | 7174 | Lockwasher, 5/16 Split | 3 |
| 12 | 8754 | Locknut, 3/8-16 Hex | 2 |

6
G

6

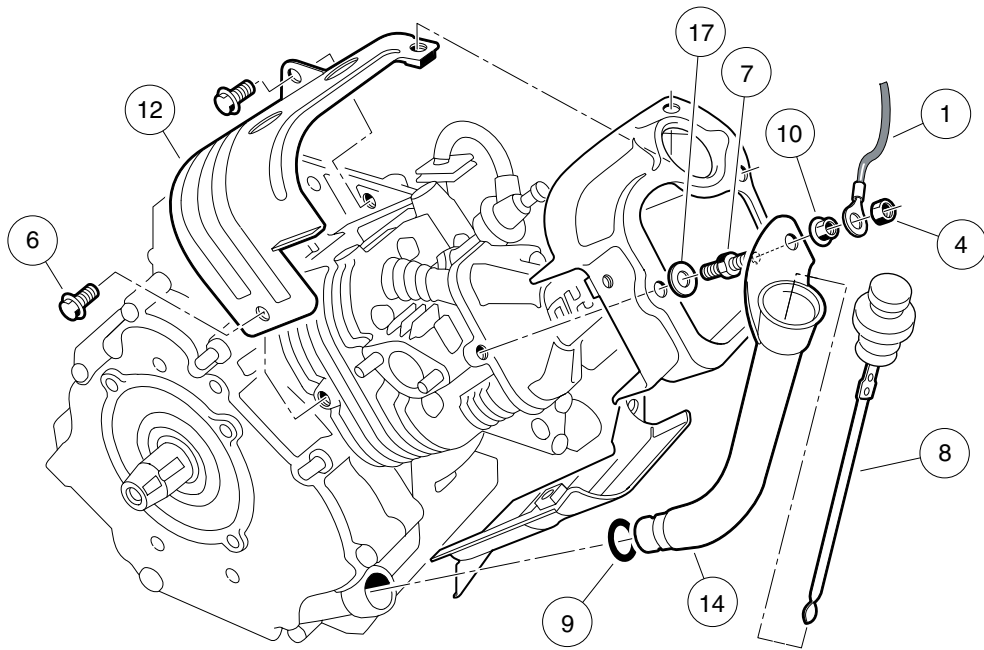
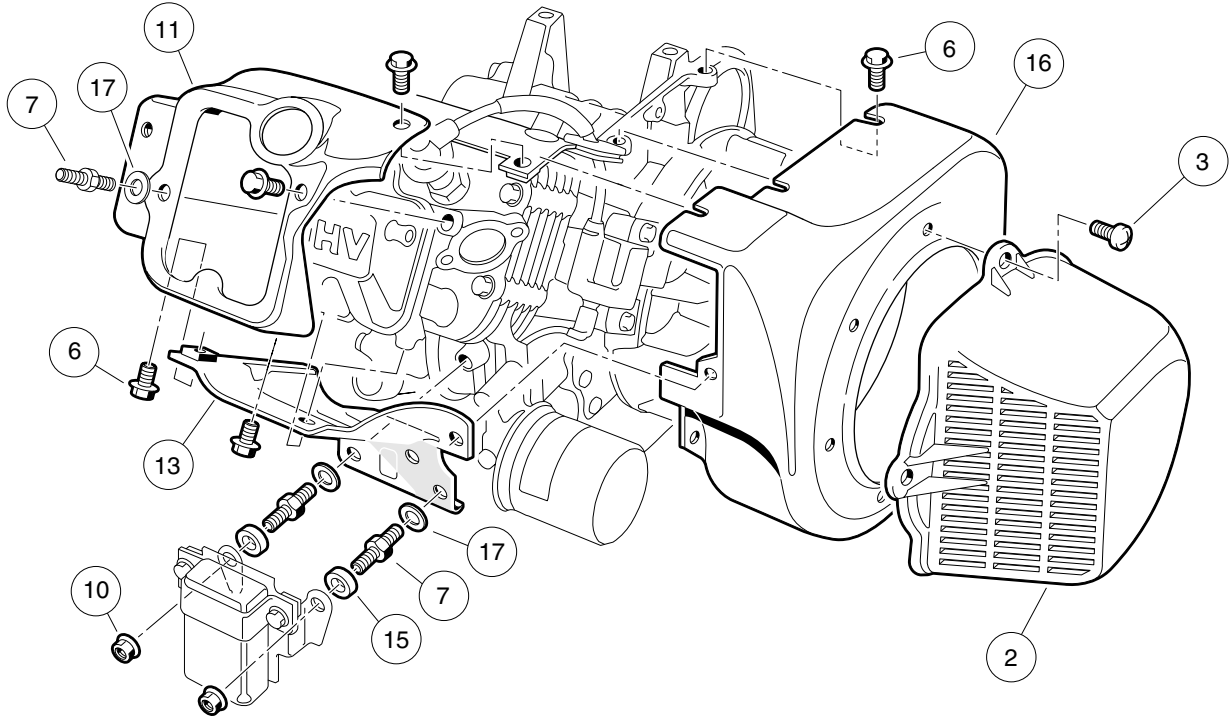
G

AS11 FE350 ENGINE

7

G

7
G

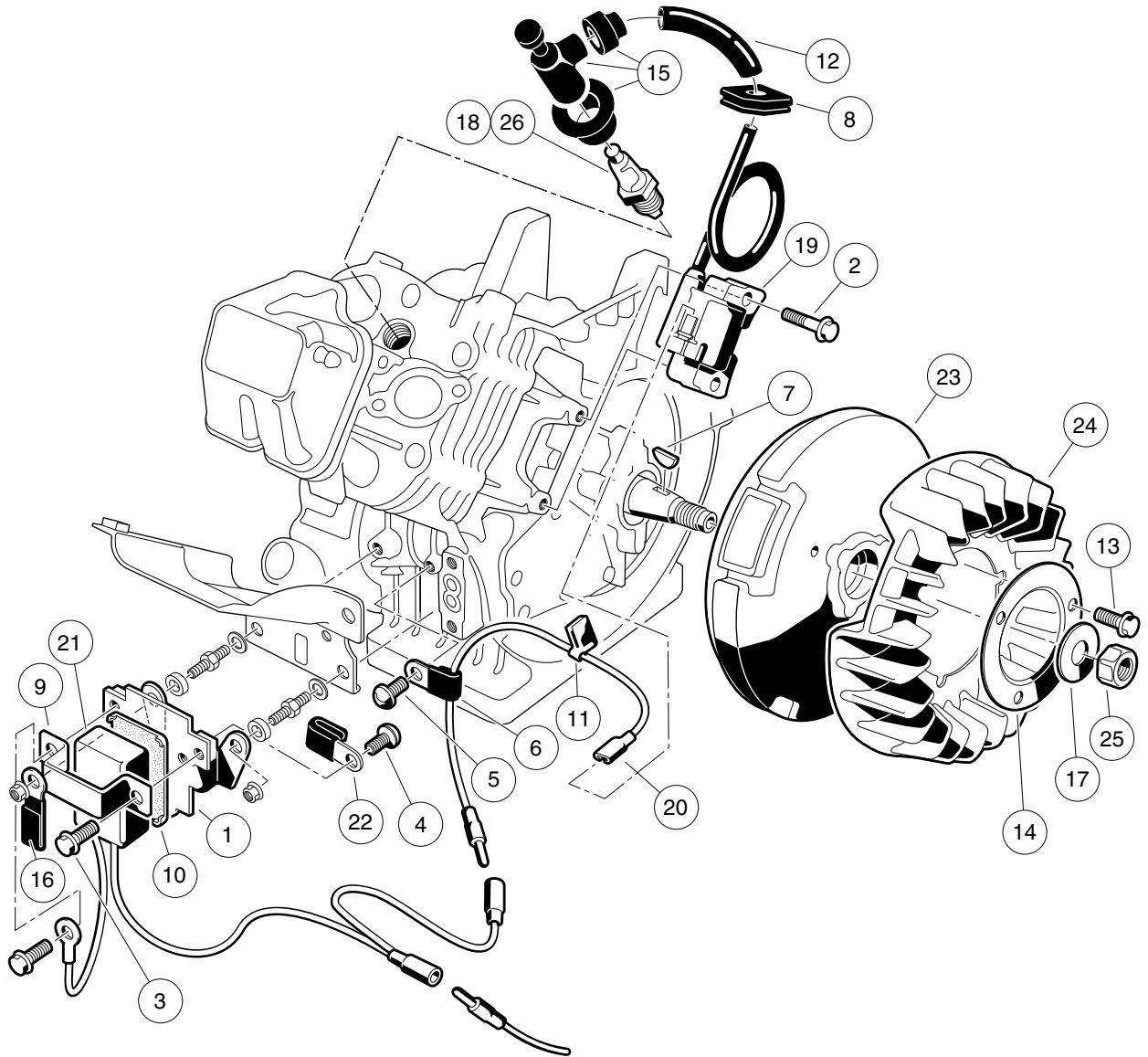


000201-001

AS11 FE350 ENGINE WITHOUT ACR (AUTOMATIC COMPRESSION RELEASE) – SHROUDS AND BRACKETS

| ITEM | PART NO. | DESCRIPTION | QTY |
|---|-----------|--|-----|
| | | 1 2 3 4 | |
| 1 | 1015332 | Wire Assembly, #10, Uninsulated | 1 |
| 2 | 1015649 | Shroud, Fan | 1 |
| 3 | 1015969 | Screw, M6-1.00 X 10mm Pan Hd | 4 |
| 4 | 101887601 | Locknut, M6-1.00 Nylon Insert | 1 |
| 5 | 101953802 | Engine, FE350 (cw) without ACR * (includes items 6 through 17) | 1 |
| 6 | 1016456 | Bolt, Flange Head, M6 x 1 x 12 mm | 14 |
| 7 | 1016507 | Bolt, Two-Ended | 3 |
| 8 | 1016531 | Dipstick | 1 |
| 9 | 1016539 | O-Ring | 1 |
| 10 | 1016547 | Nut | 3 |
| 11 | 1017474 | Shroud, Engine | 1 |
| 12 | 1017475 | Shroud, Engine | 1 |
| 13 | 1017476 | Shroud, Engine | 1 |
| 14 | 1017486 | Tube, Oil Filler | 1 |
| 15 | 1017500 | Spacer 6.50 X 12 X 5.5 | 2 |
| 16 | 101916101 | Housing, FE350 Fan | 1 |
| 17 | N/A | Washer, 6mm Flat | 3 |
| * Note: FE350 engine component listings span several pages. | | | |

7
G

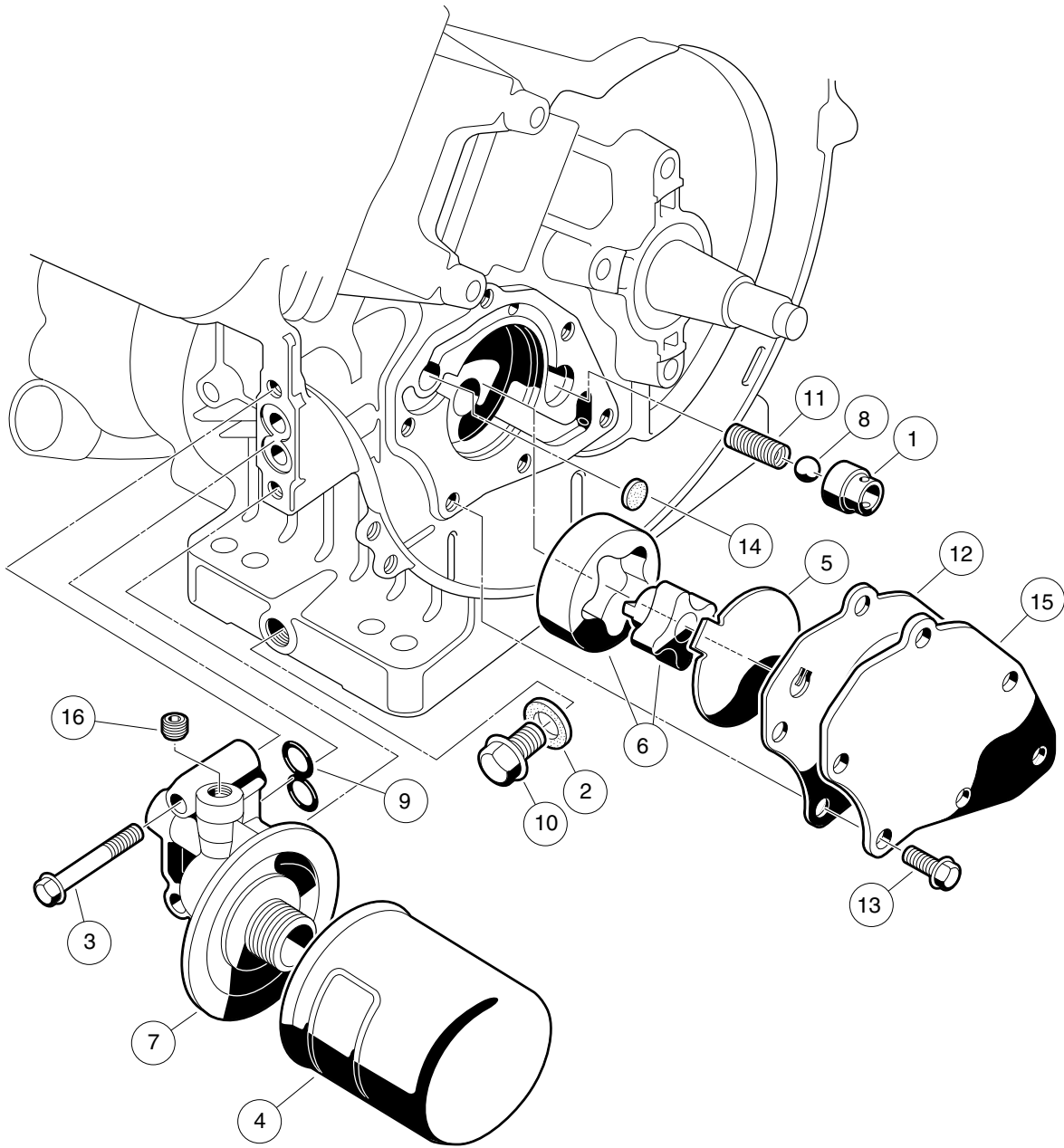


000202-001

AS11 FE350 ENGINE – IGNITION COMPONENTS AND FLYWHEEL

| ITEM | PART NO. | DESCRIPTION | QTY |
|------|-----------|---|-----|
| | | 1 2 3 4 | |
| 1 | 1016445 | Bracket, RPM Limiter | 1 |
| 2 | 1016455 | Bolt, Flange Head | 2 |
| 3 | 1016456 | Bolt, Flange Head, M6 x 1 x 12 mm | 2 |
| 4 | 1016497 | Screw, Pan WP Cross | 1 |
| 5 | 1016544 | Screw | 1 |
| 6 | 1016561 | Clamp | 1 |
| 7 | 1016562 | Key | 1 |
| 8 | 1016578 | Grommet | 1 |
| 9 | 1016579 | Band, RPM Limiter Mount | 1 |
| 10 | 1016586 | Damper, RPM Limiter | 1 |
| 11 | 1016587 | Clamp | 1 |
| 12 | 1016588 | Tube, 7mm X 10mm X 70mm | 1 |
| 13 | 1017448 | Bolt, Flanged | 3 |
| 14 | 1017455 | Plate, Flywheel Fan | 1 |
| 15 | 1017463 | Cap Asm Plug | 1 |
| 16 | 1017468 | Clamp | 1 |
| 17 | 1017490 | Washer, Flat | 1 |
| 18 | 101881101 | Spark Plug, OHV (Autolite) | 1 |
| 19 | 101909201 | Coil, Ignition | 1 |
| 20 | 101909301 | Lead Wire Assy | 1 |
| 21 | 101909401 | Limiter, RPM | 1 |
| 22 | N/A | Clamp, Steel | 1 |
| 23 | 101916201 | Flywheel | 1 |
| 24 | 101916301 | Fan (cw) | 1 |
| 25 | N/A | Nut, Hex, 18 mm Fine | 1 |
| 26 | AM10724 | Spark Plug, OHV (NGK) | 1 |

7
G



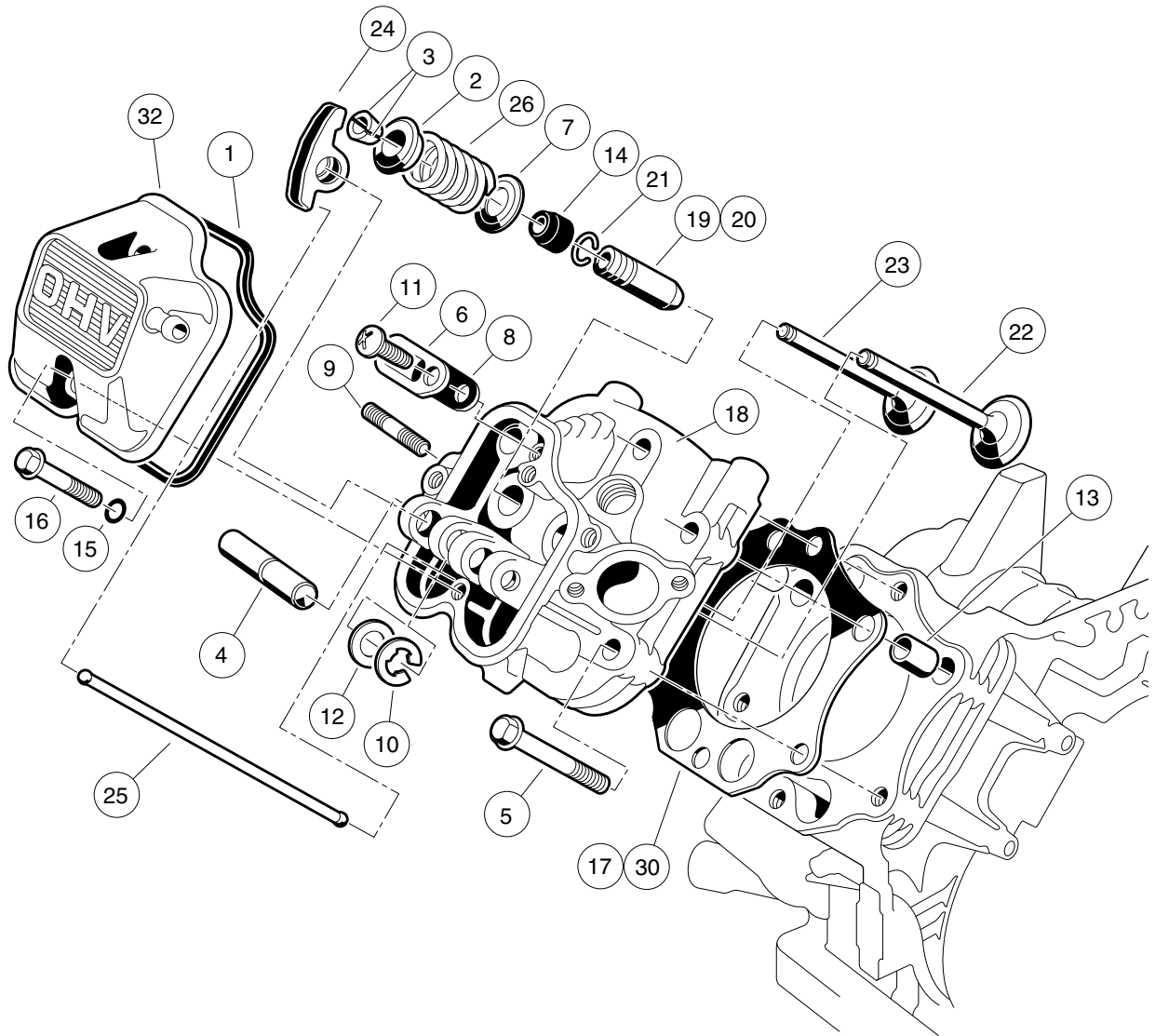
000203-001

FE350 ENGINE – OIL CIRCULATION

| ITEM | PART NO. | DESCRIPTION | QTY |
|------|-----------|------------------------------------|-----|
| | | 1 2 3 4 | |
| 1 | 1016429 | Seat, Value Oil Press Relief | 1 |
| 2 | 1016432 | Gasket, Drain Plug | 1 |
| 3 | 1016457 | Bolt, Flange Head | 2 |
| 4 | 1016467 | Filter, Oil | 1 |
| 5 | 1016473 | Plate, Oil Pump | 1 |
| 6 | 101648203 | Oil Pump And Rotor | 1 |
| 7 | 1016502 | Bracket, Oil Filter Mount | 1 |
| 8 | 1016537 | Ball, Steel, Press, Relief | 1 |
| 9 | 1016570 | O-Ring | 1 |
| 10 | 1016576 | Plug, Drain | 1 |
| 11 | 1016581 | Spring | 1 |
| 12 | 1017442 | Gasket | 1 |
| 13 | 1017456 | Bolt, Flanged | 6 |
| 14 | 1017458 | Filter | 1 |
| 15 | 1017460 | Cover, Pump | 1 |
| 16 | 1017507 | Plug | 2 |

7

G



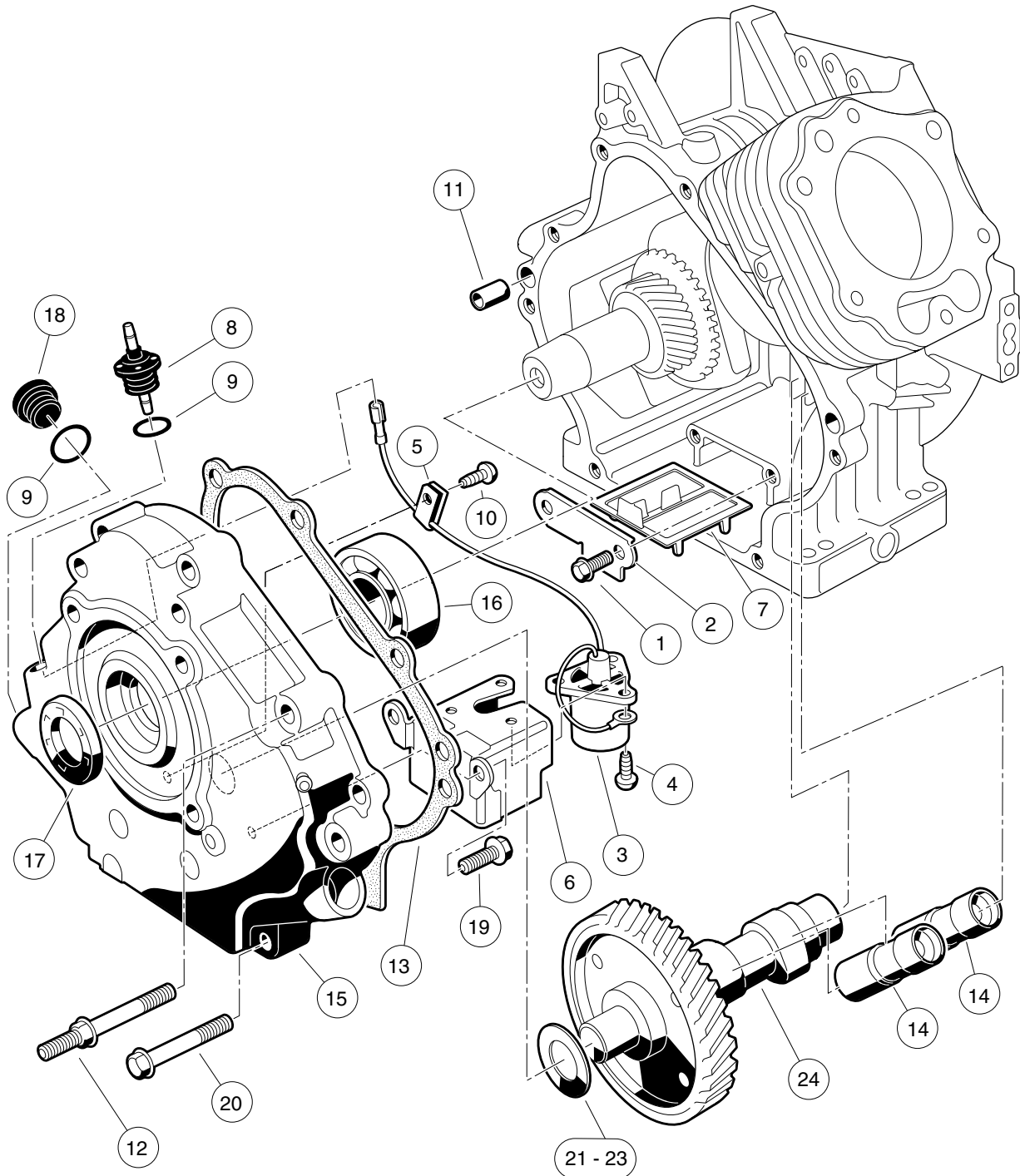
000204-001

AS11 FE350 ENGINE – CYLINDER HEAD

| ITEM | PART NO. | DESCRIPTION | QTY |
|------|-----------|---|-----|
| | | 1 2 3 4 | |
| 1 | 1016436 | Gasket, Rocker Case | 1 |
| 2 | 1016449 | Retainer, Valve Spring | 2 |
| 3 | 1016450 | Collet | 4 |
| 4 | 1016452 | Shaft, Rocker | 1 |
| 5 | 1016458 | Bolt, Flange Head, M8 x 1.25 x 45 mm | 6 |
| 6 | 1016474 | Plate | 1 |
| 7 | 1016479 | Seat, Spring | 2 |
| 8 | 1016483 | Valve | 1 |
| 9 | 1016489 | Stud, Two-Ended, M8-1.25 | 2 |
| 10 | 1016517 | Circlip, Type-E | 1 |
| 11 | 1016544 | Screw | 1 |
| 12 | 1016549 | Washer, 12.1x19x1.8 | 1 |
| 13 | 1016563 | Pin | 2 |
| 14 | 1016566 | Seal, Oil | 2 |
| 15 | 1016569 | O-Ring | 2 |
| 16 | 1016583 | Bolt, 6x35 | 2 |
| 17 | 1017434 | Gasket, Head | 1 |
| 18 | 1017435 | Assembly, Cylinder Head, FE350 (includes items 19 through 21) | 1 |
| 19 | 1016518 | Guide, Valve, Exhaust | 1 |
| 20 | 1016519 | Guide, Valve | 1 |
| 21 | 1016560 | Snap Ring | 2 |
| 22 | 1017444 | Valve, Intake | 1 |
| 23 | 1017445 | Valve, Exhaust | 1 |
| 24 | 1017446 | Arm, Rocker | 2 |
| 25 | 1017454 | Rod, Push | 2 |
| 26 | 1017473 | Spring, Engine Valve | 2 |
| 27 | 102304801 | Kit, Gasket, FE350 (includes items 28 through 31) | 1 |
| 28 | 1016440 | Gasket, Engine to Insulator | 1 |
| 29 | 1016904 | Gasket, Exhaust | 1 |
| 30 | 1017434 | Gasket, Head | 1 |
| 31 | 1017443 | Gasket, Crankcase Cover | 1 |
| 32 | 102753401 | Case, Rocker -w/o Logo Fe290 | 1 |
| | | Note: Item 28 is not a component of the FE350 engine. | |

7

G

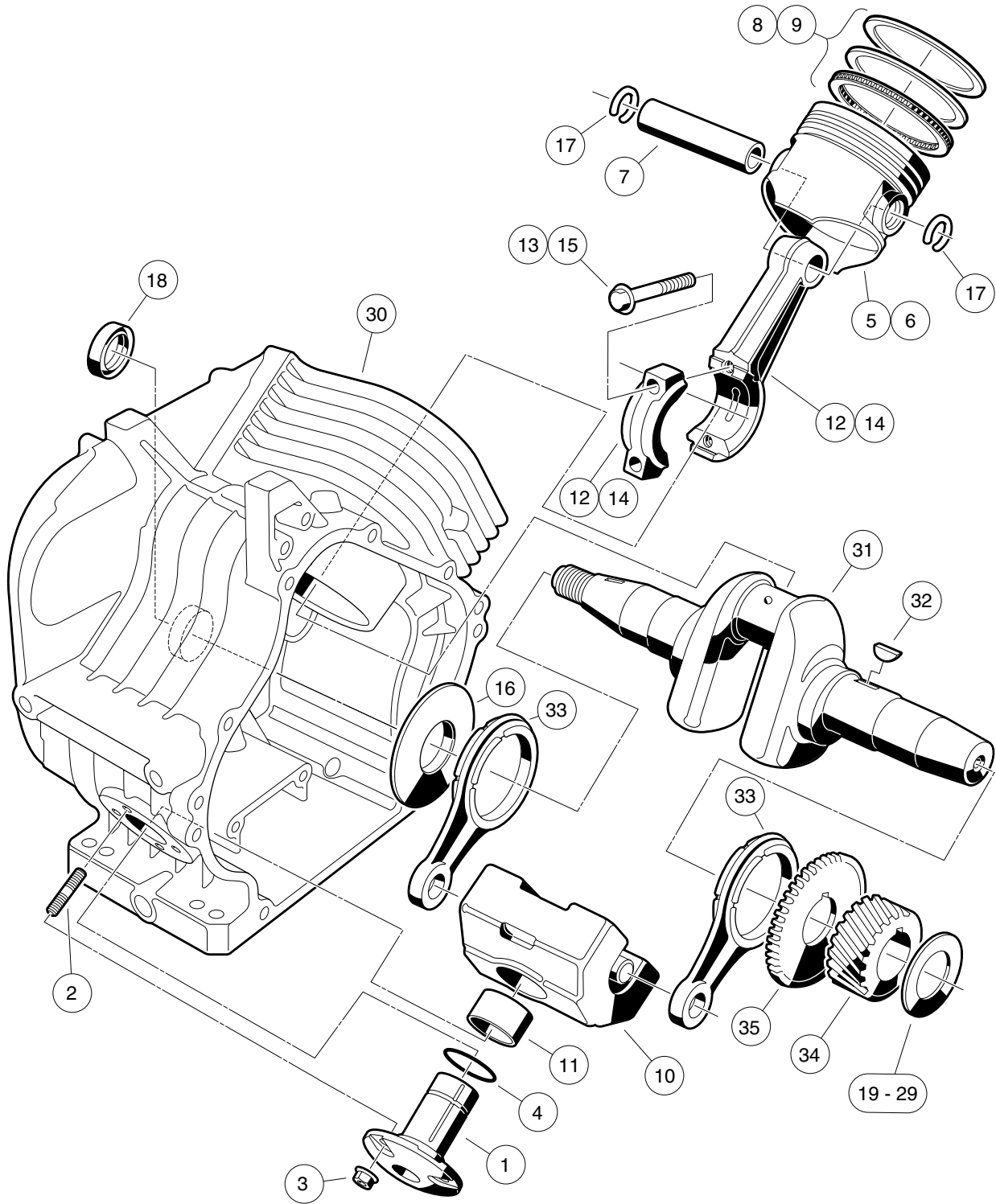


000205-002

AS11 FE350 ENGINE WITHOUT ACR – CRANKCASE, CAMSHAFT, AND OIL SENSOR

| ITEM | PART NO. | DESCRIPTION | QTY |
|------|-----------|--|-----|
| | | 1 2 3 4 | |
| 1 | 1016454 | Bolt, Flange Head, M5 x 0.8 x 8 mm | 2 |
| 2 | 1016472 | Plate, Oil Filter Screen | 1 |
| 3 | 1016494 | Sensor, Oil Level | 1 |
| 4 | 1016496 | Screw, Cross Pan-Head, M4 x 0.7 x 8 mm | 3 |
| 5 | 1016506 | Clamp | 1 |
| 6 | 1016510 | Bracket, Switch, Oil Level | 1 |
| 7 | 1016521 | Screen, Oil Filter | 1 |
| 8 | 1016535 | Connector, Cord | 1 |
| 9 | 1016538 | O-Ring | 2 |
| 10 | 1016544 | Screw | 1 |
| 11 | 1016564 | Pin | 2 |
| 12 | 1016584 | Bolt, Two-Ended, M8 x 1.25 x 69 mm | 2 |
| 13 | 1017443 | Gasket, Crankcase Cover | 1 |
| 14 | 1017447 | Adjuster, Lash | 2 |
| 15 | 1017472 | Cover Crankcase | 1 |
| 16 | 1017487 | Bearing, Ball | 1 |
| 17 | 1017504 | Seal, Oil | 1 |
| 18 | 1017508 | Plug | 1 |
| 19 | 1017513 | Bolt | 2 |
| 20 | 1017514 | Screw, M8-1.25 X 45mm Hex | 6 |
| 21 | 101751801 | Shim, 0.3 | A/R |
| 22 | 101751802 | Shim, 0.4 | A/R |
| 23 | 101751803 | Shim, 0.5 | A/R |
| 24 | 102431001 | Camshaft, FE350 without ACR, 44-Tooth | 1 |

7
G



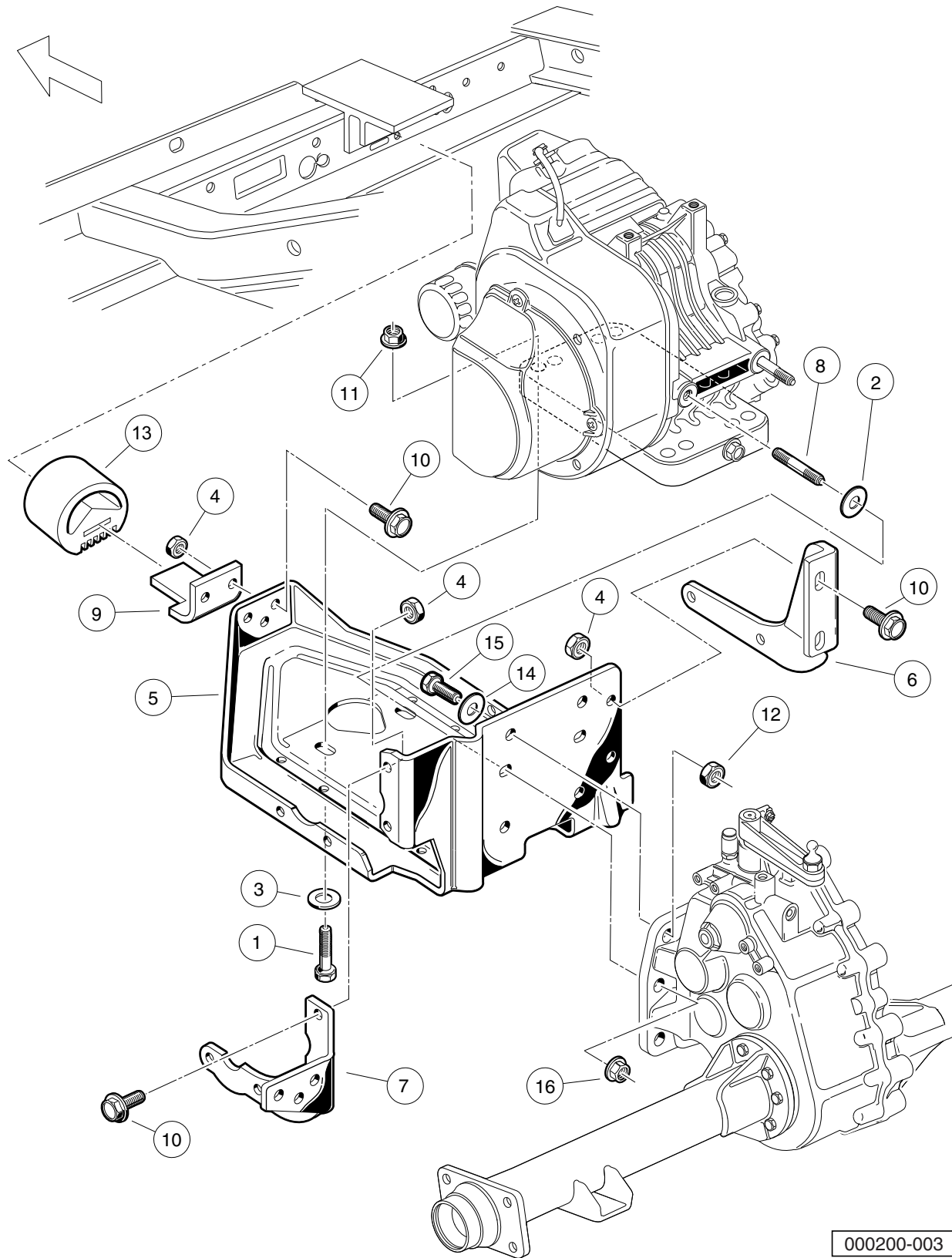
000206-001

AS11 FE350 ENGINE – CRANKCASE AND CRANKSHAFT

| ITEM | PART NO. | DESCRIPTION | QTY |
|------|-----------|--|-----|
| | | 1 2 3 4 | |
| 1 | 1016470 | Shaft, Guide, Counterbalance | 1 |
| 2 | 1016541 | Stud, 6x14 | 4 |
| 3 | 1016547 | Nut | 4 |
| 4 | 1016571 | O-Ring | 1 |
| 5 | 101744901 | Piston, Standard | 1 |
| 6 | 101744902 | Piston, 0.50 mm Oversize | 1 |
| 7 | 1017450 | Pin, Piston | 1 |
| 8 | 101745101 | Ring Set, Standard Piston | 1 |
| 9 | 101745102 | Ring Set, Piston, 0.50 mm Oversize | 1 |
| 10 | 1017453 | Weight (includes item 11) | 1 |
| 11 | 1017510 | Bearing, Plain | 1 |
| 12 | 101745701 | Asm, Con. Rod Std (includes item 13) | 1 |
| 13 | 1017512 | Bolt | 2 |
| 14 | 101745702 | Rod Assembly Connecting Rod 0.5mm (includes item 15) | 1 |
| 15 | 1017512 | Bolt | 2 |
| 16 | 1017501 | Spacer | 1 |
| 17 | 1017502 | Snap Ring | 2 |
| 18 | 1017503 | Seal, Oil | 1 |
| 19 | 101773301 | Shim, Crankshaft, 1.18mm | A/R |
| 20 | 101773302 | Shim, Crankshaft, 1.25mm | A/R |
| 21 | 101773303 | Shim, Crankshaft, 1.32mm | A/R |
| 22 | 101773304 | Shim, Crankshaft, 1.39mm | A/R |
| 23 | 101773305 | Shim, Crankshaft, 1.46mm | A/R |
| 24 | 101773306 | Shim, Crankshaft, 1.53mm | A/R |
| 25 | 101773307 | Shim, Crankshaft, 1.60mm | A/R |
| 26 | 101773308 | Shim, Crankshaft, 1.67mm | A/R |
| 27 | 101773309 | Shim, Crankshaft, 1.74mm | A/R |
| 28 | 101773310 | Shim, Crankshaft, 1.11 mm | A/R |
| 29 | 101773311 | Shim, Crankshaft, 1.81mm | A/R |
| 30 | 101916001 | Crankcase Complete, FE350 (cw) | 1 |
| 31 | 102430901 | Crankshaft, FE350 Left-Hand, 22-Tooth (includes items 32 through 35) | 1 |
| 32 | 1016562 | Key | 1 |
| 33 | 1017471 | Rod | 2 |
| 34 | N/A | Gear, Helical | 1 |
| 35 | N/A | Gear, Spur | 1 |

7
G

7
G



000200-003

FE350 ENGINE MOUNTING

| ITEM | PART NO. | DESCRIPTION | QTY |
|------|-----------|---------------------------------------|-----|
| | | 1 2 3 4 | |
| 1 | 1010577 | Bolt, Hex-Head, 5/16-18 X 1.50 | 4 |
| 2 | 1011697 | Washer, 5/16 Flat | 2 |
| 3 | 1012571 | Washer, 5/16 Extra Thick Flat | 4 |
| 4 | 1013924 | Nut, 5/16-24 Hex Head Cone | 10 |
| 5 | 101827101 | Plate, Engine Mounting | 1 |
| 6 | 101832601 | Stiffener (PTO Side) | 1 |
| 7 | 101832701 | Stiffener (Flywheel Side) | 1 |
| 8 | 101833101 | Stud, M8-1.25 X 50 mm Two-Ended | 2 |
| 9 | 101834601 | Snubber Bracket | 1 |
| 10 | 101884801 | Screw, 5/16-24 X 0.875 Grade-8 | 10 |
| 11 | 101963401 | Locknut, 5/16-18 Hex Flange | 4 |
| 12 | 102065901 | Locknut, 3/8-16 Flanged Dimple | 4 |
| 13 | 102540301 | Inner Frame Snubber | 1 |
| 14 | 334 | Washer, 3/8 Type A Flat | 4 |
| 15 | 705 | Screw, Cap-hex Hd 3/8-16x1.25 | 4 |
| 16 | 96704416 | Nut Flg, M8 X 1.25 Serrated | 2 |

7

G

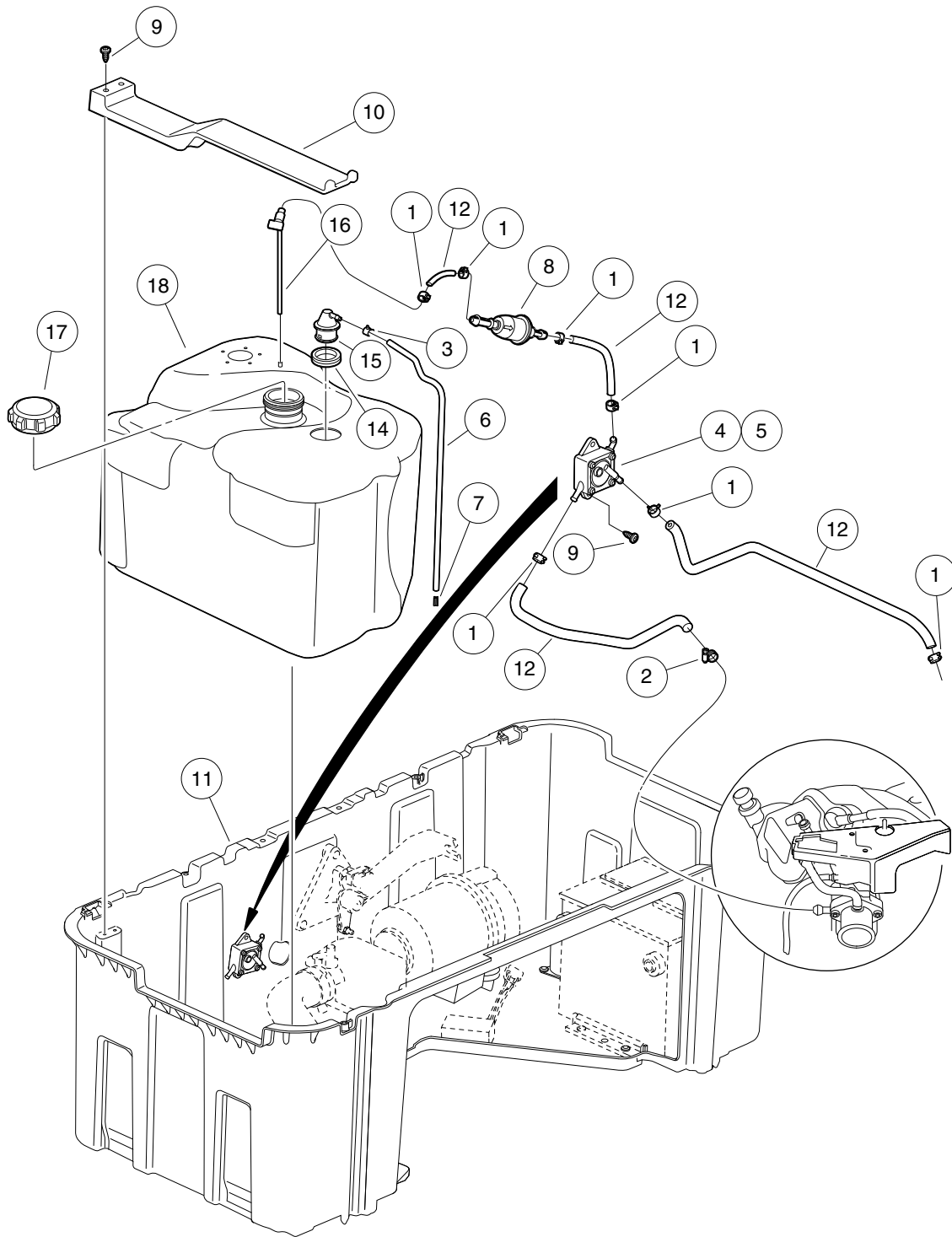
7

G

FUEL, INTAKE, AND GOVERNOR SYSTEMS

8

G



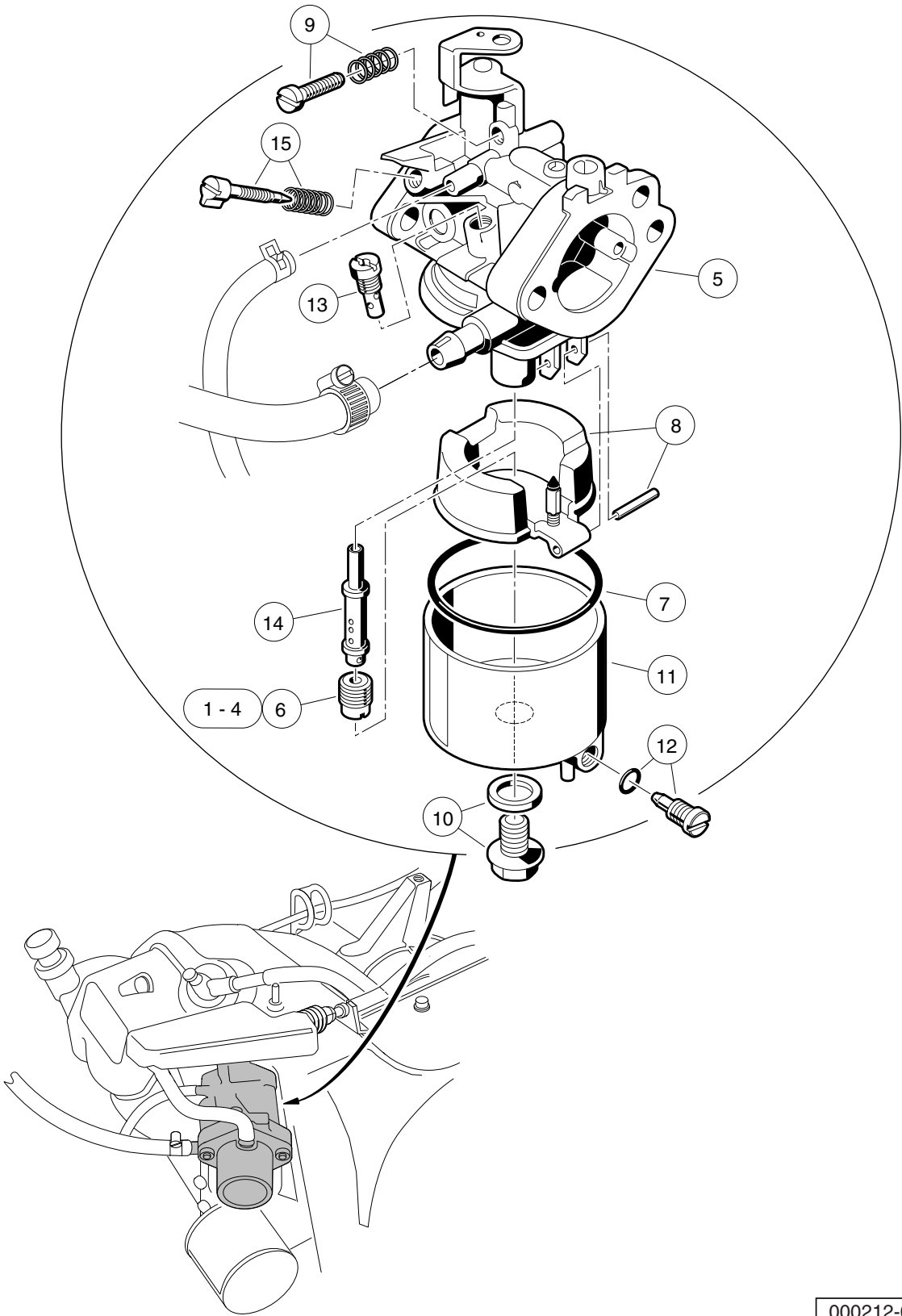
000449-001

FUEL SYSTEM

| ITEM | PART NO. | DESCRIPTION | QTY |
|------|-----------|--|-----|
| | | 1 2 3 4 | |
| 1 | 1012649 | Clamp, 0.460 Red Hose | 7 |
| 2 | 1013687 | Clamp, 3/8" Hose (screw type) | 1 |
| 3 | 1013746 | Clamp, 0.301 ID Hose | 2 |
| 4 | 1014523 | Pump, Impulse Fuel | 1 |
| 5 | 1014524 | Kit, Impulse Pump Rebuild | 1 |
| 6 | 1015137 | Fuel Line (available by the foot) | A/R |
| 7 | 101824401 | Vent Barb | 1 |
| 8 | 102003201 | Filter, Fuel, 30 Micron | 1 |
| 9 | 102296020 | Screw, Torx Pan Hd Pt, M6 X 20 | 2 |
| 10 | 102514201 | Hold-down - Fuel Tank | 1 |
| 11 | 102514701 | Bucket - Gas Vehicle | 1 |
| 12 | 102865101 | Fuel Line | A/R |
| 13 | 102952202 | Asm, Tank, Fuel (includes items 14 through 18) | 1 |
| 14 | 1015139 | Insulation Grommet | 1 |
| 15 | 1015143 | Vent, Fuel Tank | 1 |
| 16 | 102513701 | Valve - Fuel Pickup Tube | 1 |
| 17 | 102751601 | Cap, Fuel Tank, Gasoline | 1 |
| 18 | N/A | Tank, Fuel, Prec | 1 |

8

G



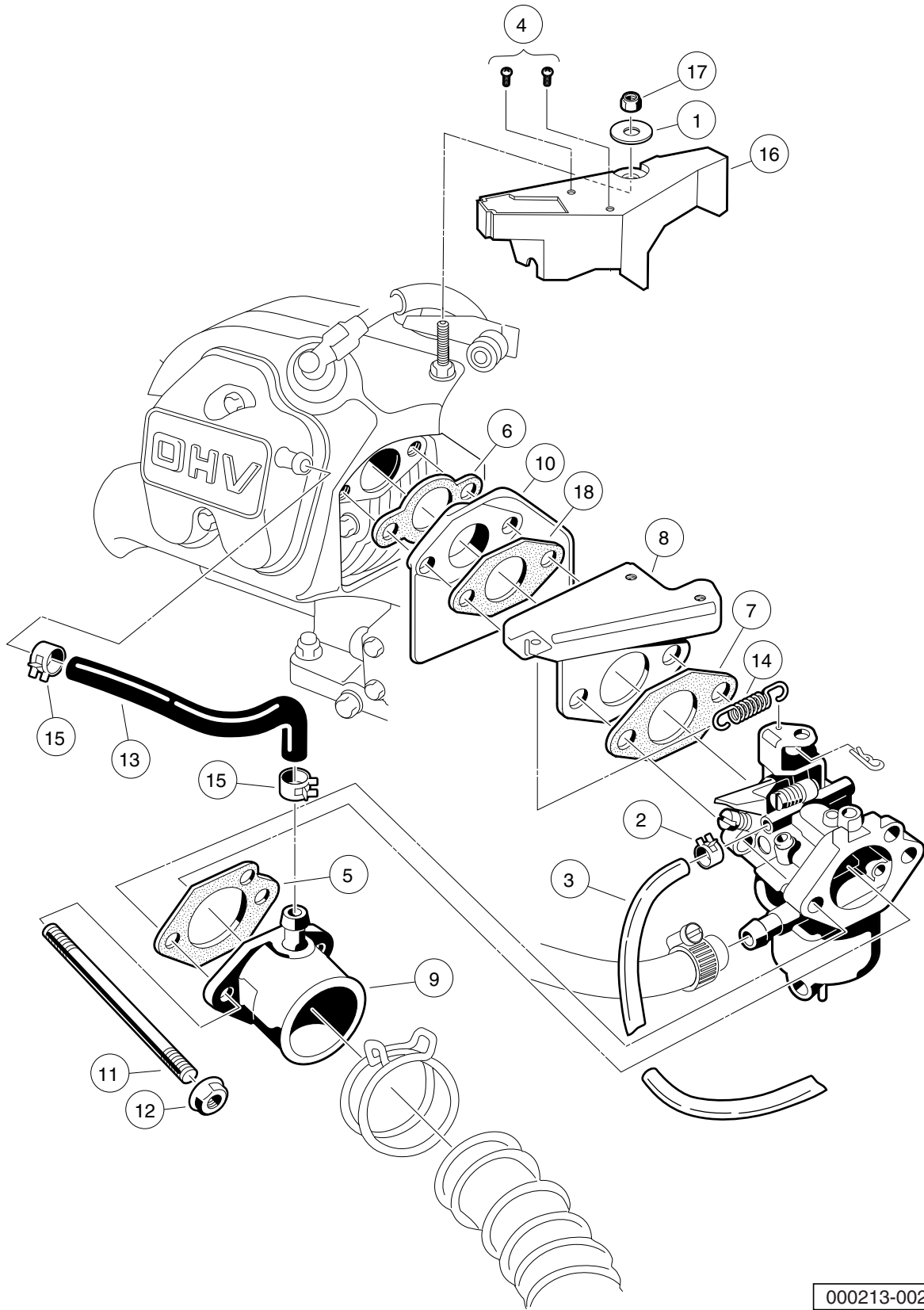
000212-001

CARBURETOR ASSEMBLY – FE350

| ITEM | PART NO. | DESCRIPTION | QTY |
|---|-----------|--|-----|
| | | 1 2 3 4 | |
| 1 | 101642575 | Jet, Altitude, # 75 | A/R |
| 2 | 101642578 | Jet, Altitude, # 78 | A/R |
| 3 | 101642580 | Jet, Altitude, # 80 | A/R |
| 4 | 101642582 | Jet, Altitude, # 82 | A/R |
| 5 | 101905901 | Carburetor, FE350D (includes items 6 through 15) | 1 |
| 6 | 101642585 | Jet, Altitude, # 85 | 1 |
| 7 | 1016437 | Gasket, Carburetor Bowl OHV | 1 |
| 8 | 1016486 | Float Assembly | 1 |
| 9 | 1016501 | Screw Assembly | 1 |
| 10 | 1016585 | Bolt | 1 |
| 11 | 1017461 | Chamber Assembly, Float (includes item 12) | 1 |
| 12 | 1016499 | Screw Assembly | 1 |
| 13 | 101973101 | Jet, #40 Pilot | 1 |
| 14 | 101973301 | Nozzle, Main | 1 |
| 15 | N/A | Assembly, Pilot Air Screw | 1 |
| <p>Note: 101642585 for 0 - 3,000 feet; 101642582 for 3,000 - 5,000 feet; 101642580 for 5,000 - 8,000 feet; 101642578 for 8,000 - 10,000 feet; 101642575 for 10,000 feet and higher.</p> | | | |

8

G

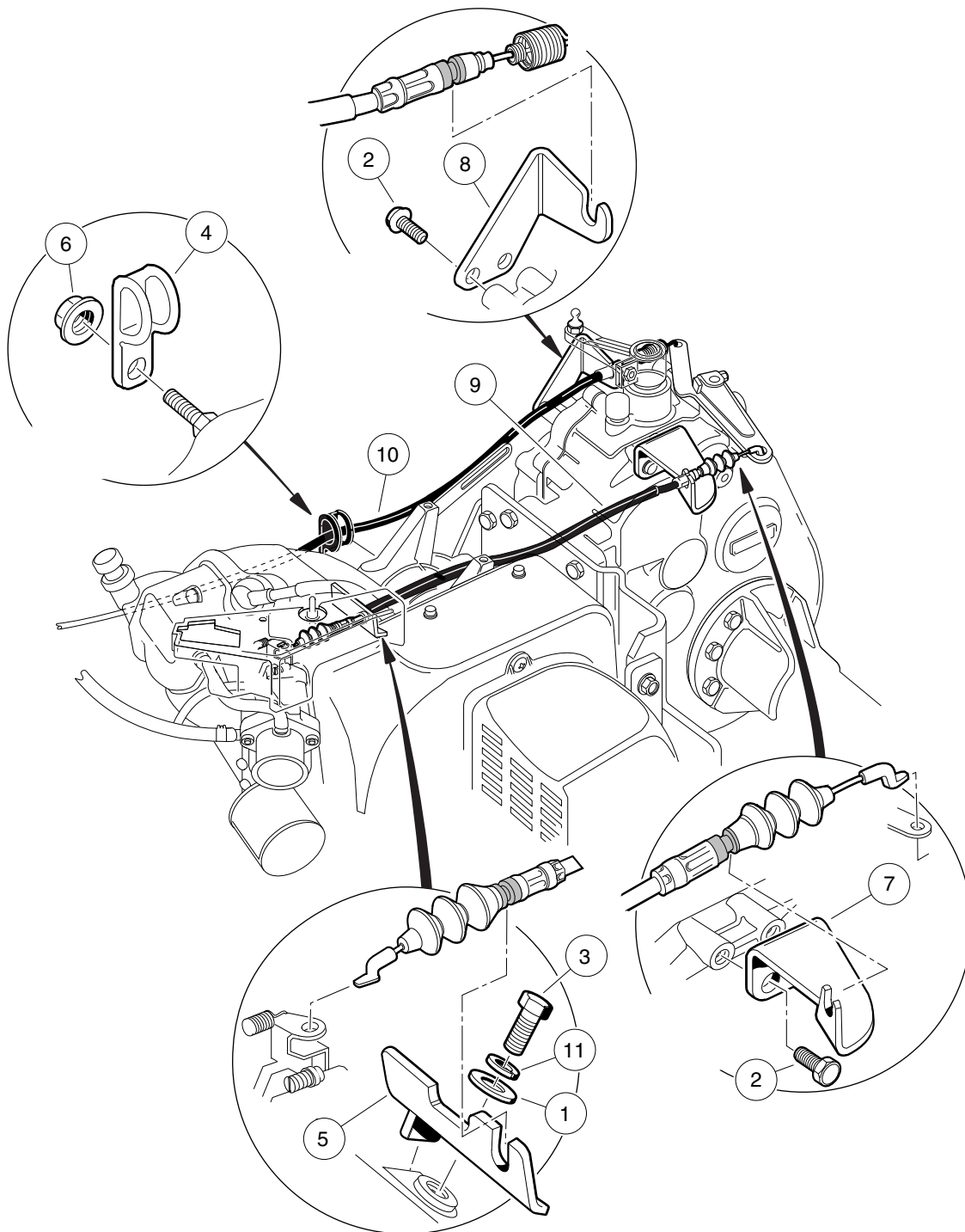


000213-002

CARBURETOR INSTALLATION – FE350

| ITEM | PART NO. | DESCRIPTION | QTY |
|------|-----------|---|-----|
| | | 1 2 3 4 | |
| 1 | 1011697 | Washer, 5/16 Flat | 1 |
| 2 | 1013746 | Clamp, 0.301 ID Hose | 1 |
| 3 | 1015137 | Fuel Line (available by the foot) | 1 |
| 4 | 1016103 | Screw, Pan Hd Tx, Taptite 6-32 | 2 |
| 5 | 1016438 | Gasket, Carb To Intake Manifold | 1 |
| 6 | 1016440 | Gasket, Engine to Insulator | 1 |
| 7 | 1016441 | Gasket, Sprg Brkt To Carb OHV | 1 |
| 8 | 1016444 | Bracket, Throttle Spring Return | 1 |
| 9 | 1016480 | Pipe, Intake Manifold | 1 |
| 10 | 101648102 | Insulator, Carburetor | 1 |
| 11 | 101649002 | Stud, M6-1.00 Two-Ended | 2 |
| 12 | 1016547 | Nut | 2 |
| 13 | 1016572 | Tube, Crankcase Vent | 1 |
| 14 | 1016582 | Spring, Throttle Return | 1 |
| 15 | 1017466 | Clamp | 2 |
| 16 | 101820201 | Shield, Governor | 1 |
| 17 | 101887601 | Locknut, M6-1.00 Nylon Insert | 1 |
| 18 | 101973401 | Gasket, Insulator To Bracket | 1 |

8
G

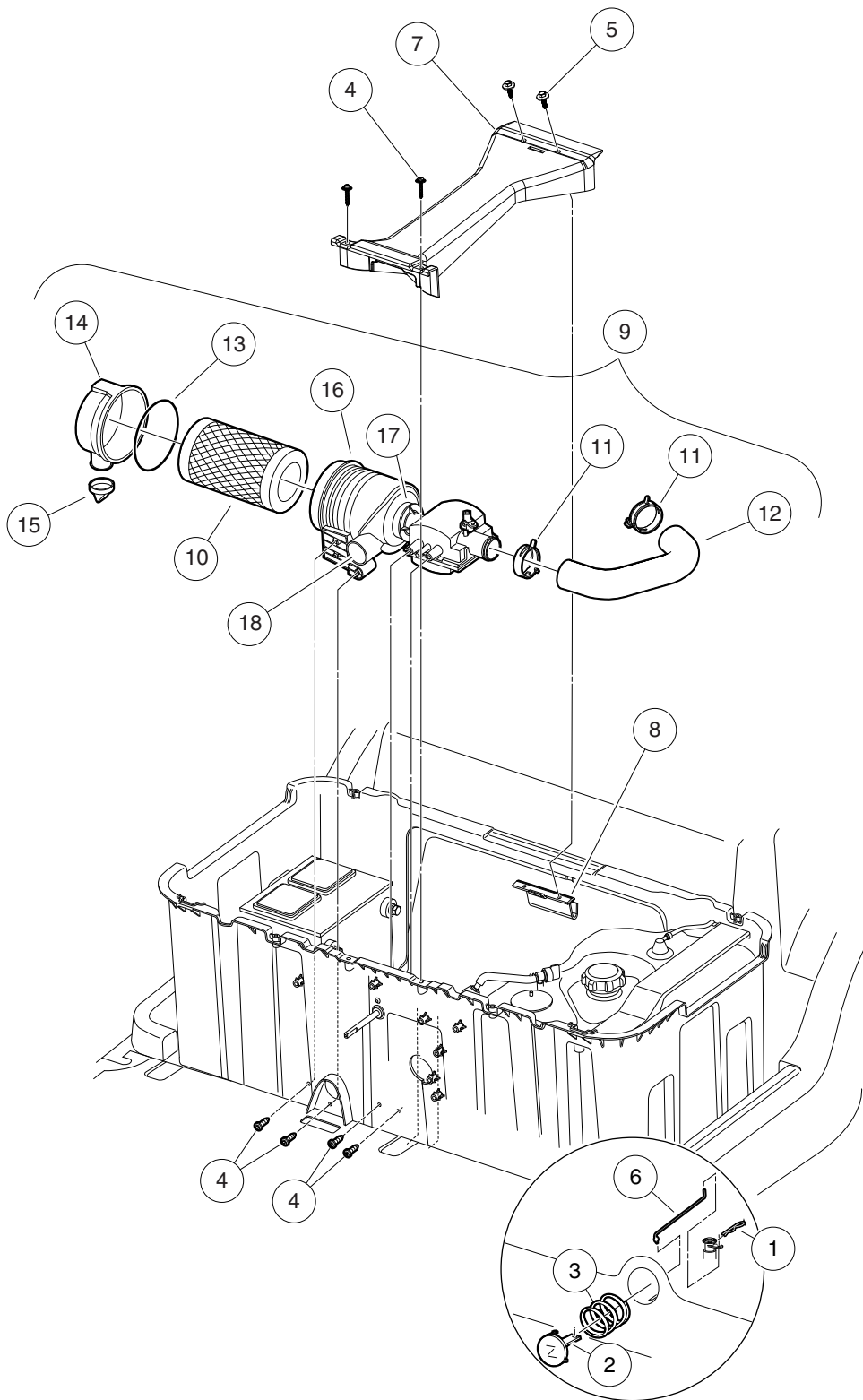


000215-001

GOVERNOR AND ACCELERATOR CABLES

| ITEM | PART NO. | DESCRIPTION | QTY |
|------|-----------|---|-----|
| | | 1 2 3 4 | |
| 1 | 1011697 | Washer, 5/16 Flat | 1 |
| 2 | 1012285 | Screw, 1/4 X 0.625 Hex-Head | 4 |
| 3 | 1012830 | Screw, M8-125 X 22 Hex-Head | 1 |
| 4 | 1013700 | Clamp | 2 |
| 5 | 101584502 | Bracket, Governor Cable Snap-In | 1 |
| 6 | 1016546 | Nut | 2 |
| 7 | 101832202 | Bracket, Rear Governor Cable Snap-In | 1 |
| 8 | 101832302 | Bracket, Rear Accelerator Cable Snap-In | 1 |
| 9 | 102336001 | Cable, Governor, Snap-In | 1 |
| 10 | 102513102 | Cable, Acc, Snap-in | 1 |
| 11 | 7174 | Lockwasher, 5/16 Split | 1 |

8
G



000484-001

CHOKE AND AIR BOX ASSEMBLY

| ITEM | PART NO. | DESCRIPTION | QTY |
|------|-----------|--|-----|
| | | 1 2 3 4 | |
| 1 | 1014413 | Pin, Hair Spring Cotter | 1 |
| 2 | 101811401 | Lever, Choke | 1 |
| 3 | 101856201 | Compression Spring | 1 |
| 4 | 102296020 | Screw, Torx Pan Hd Pt, M6 X 20 | 6 |
| 5 | 102297125 | Screw M6-1.0x25.4 Thd Fm Sems | 2 |
| 6 | 102514401 | Rod, Choke Button | 1 |
| 7 | 102521301 | Brace, Gas Fuel Bucket | 1 |
| 8 | 102521401 | Support, Gas Bucket Brace | 1 |
| 9 | 102588301 | Air Intake Assy (includes items 10 through 16) | 1 |
| 10 | 102558201 | Air Filter, Precedent | 1 |
| 11 | 102558301 | Clamp, Air Intake, Prec | 2 |
| 12 | 102558401 | Hose, Air Intake, Prec | 1 |
| 13 | 102558501 | Gasket, Air Intake, Prec | 1 |
| 14 | 102558601 | Cover Asm, Air Intake, Prec | 1 |
| 15 | 102558701 | Evac Valve, Air Intake, Prec | 1 |
| 16 | N/A | Assembly, Body Intake (includes items 17 and 18) | 1 |
| 17 | N/A | Filter Element, Air Intake | 1 |
| 18 | N/A | Insert, Air Intake Body | 1 |

8

G

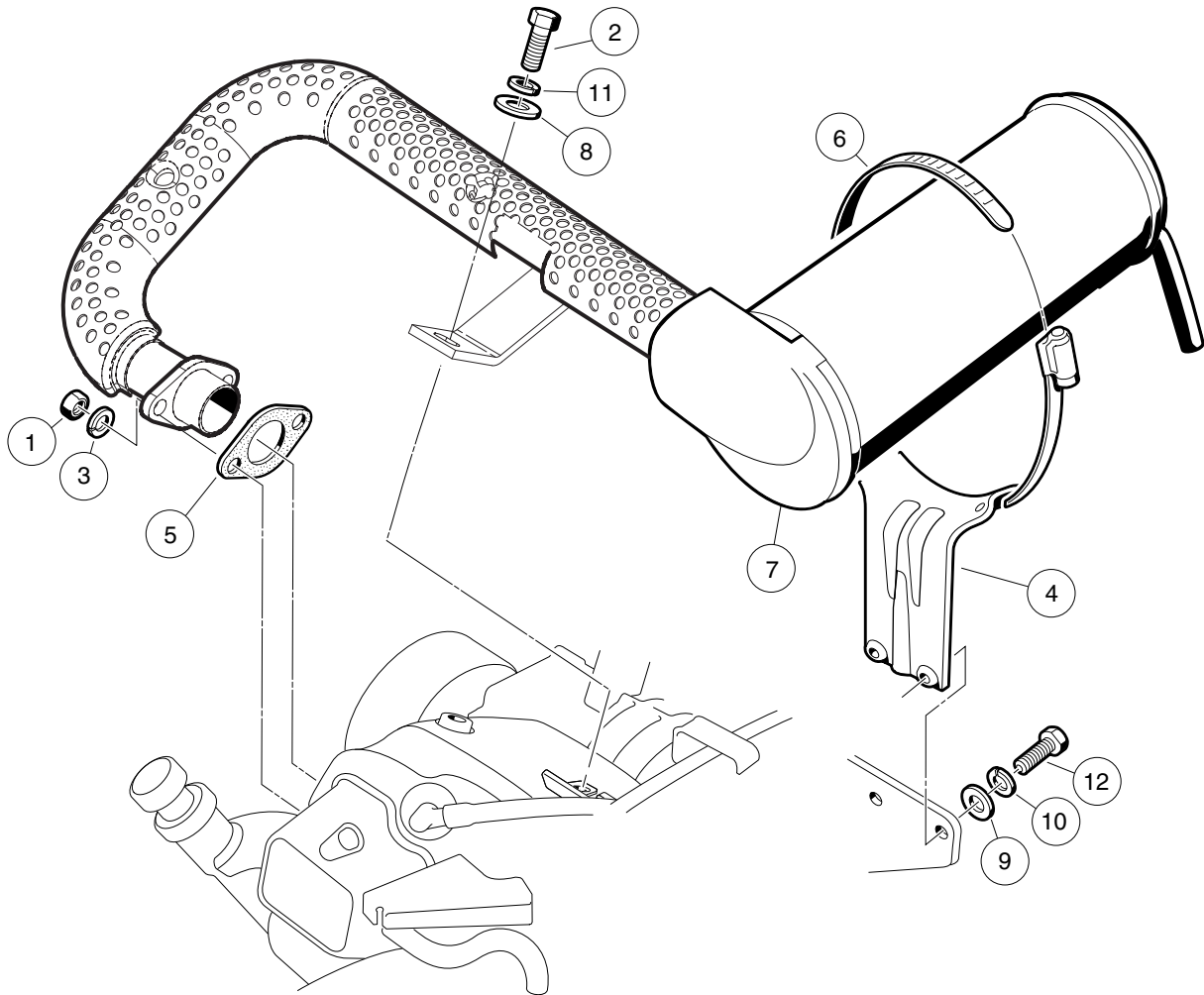
8

G

EXHAUST SYSTEM

9

G



000491-001

EXHAUST SYSTEM – FE350

| ITEM | PART NO. | DESCRIPTION | QTY |
|------|-----------|---|-----|
| | | 1 2 3 4 | |
| 1 | 1012528 | Nut, M8-1.25 Hex | 2 |
| 2 | 1012830 | Screw, M8-125 X 22 Hex-Head | 1 |
| 3 | 1013734 | Lockwasher, 8mm Split | 2 |
| 4 | 1015814 | Bracket, Muffler Mounting | 1 |
| 5 | 1016904 | Gasket, Exhaust | 1 |
| 6 | 1017689 | Clamp, 5" Muffler Hose | 1 |
| 7 | 102585901 | Exhaust System, FE350, Precedent | 1 |
| 8 | 1241 | Washer, 5/16 Type A Flat | 1 |
| 9 | 332 | Washer, 1/4 Type A Narrow Flat | 2 |
| 10 | 451 | Lockwasher, 1/4 Helical Split | 2 |
| 11 | 7174 | Lockwasher, 5/16 Split | 1 |
| 12 | 7847 | Screw, 1/4-20 X 0.75 Hex-Head Cap | 2 |

9

G

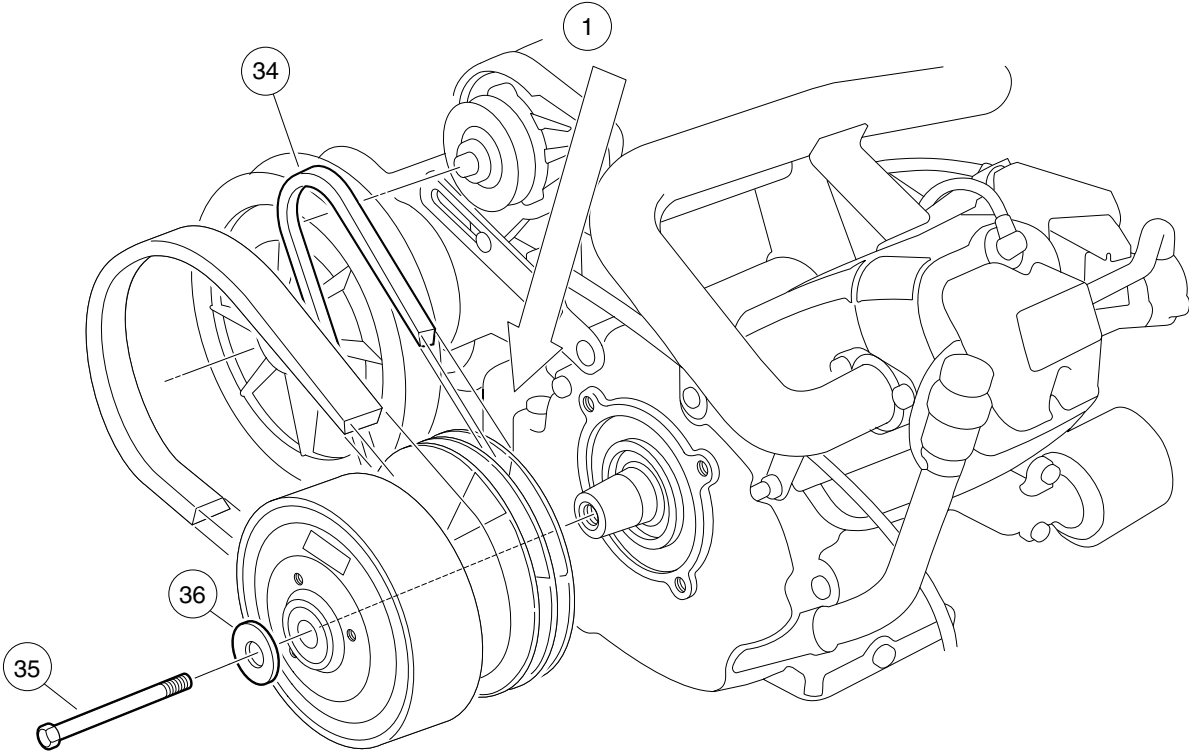
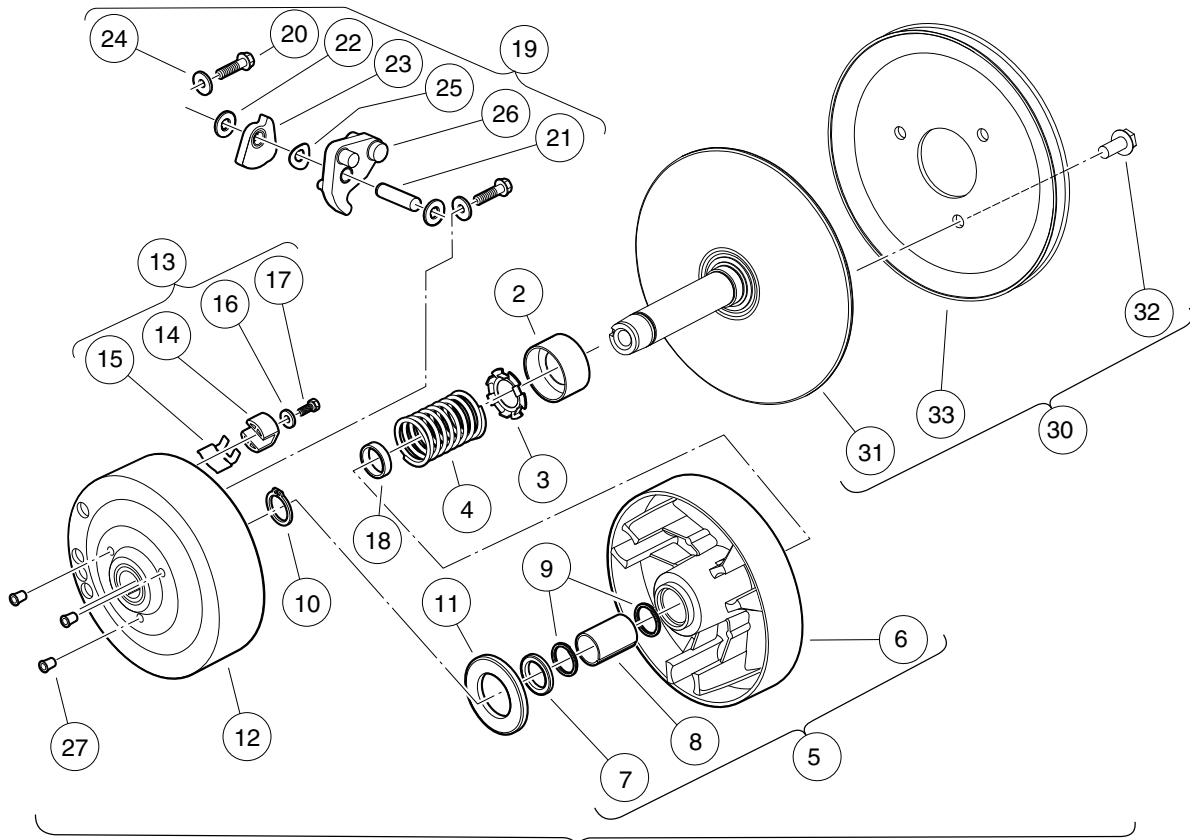
9

G

TORQUE CONVERTER

10

G



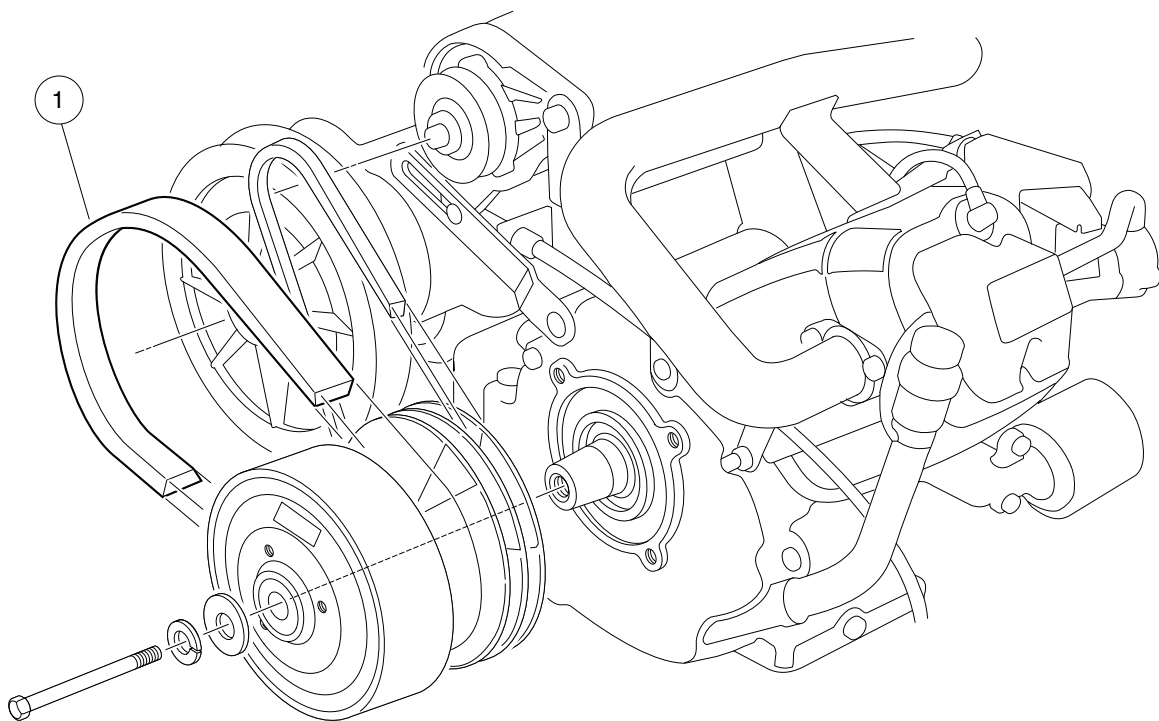
000217-001

DRIVE CLUTCH

10

G

| ITEM | PART NO. | DESCRIPTION | QTY |
|------|-----------|---|-----|
| | | 1 2 3 4 | |
| 1 | 101833902 | Clutch, Drive (includes items 2 through 28) | 1 |
| 2 | 1014049 | Bearing, Idler | 1 |
| 3 | 1014050 | Retainer, Spring | 1 |
| 4 | 1014051 | Spring, Drive Clutch | 1 |
| 5 | 1014052 | Movable-Face Assembly (includes items 6 through 8) | 1 |
| 6 | N/A | Drive Clutch Movable Face | 1 |
| 7 | 1014055 | Retainer | 1 |
| 8 | N/A | Bushing, Split, Drive Clutch | 1 |
| 9 | 1014056 | Ring, Spiral Backup | 2 |
| 10 | 1014057 | Ring, 0.810" Internal Retaining | 1 |
| 11 | 1014058 | Washer, Thrust | 1 |
| 12 | 1014059 | Drive Hub Assy, Drive Clutch | 1 |
| 13 | 1014453 | Kit, Drive Clutch Button (includes items 14 through 17) | 1 |
| 14 | 1014062 | Driver, Drive Clutch | 3 |
| 15 | 1014287 | Spring, Drive Button | 3 |
| 16 | 183 | Washer, #10 Type A Flat | 3 |
| 17 | 8450 | Screw, #10-24 X 0.50 Hex-Head | 3 |
| 18 | 1016289 | Spacer, Fixed Face Shaft | 1 |
| 19 | 1016801 | Kit, Drive Clutch Weight (includes items 20 through 26) | 1 |
| 20 | 1014063 | Screw, 1/4-20 X 1.00 Hex Head | 6 |
| 21 | N/A | Pin, 0.3752 X 1.50 Dowel | 3 |
| 22 | 1014065 | Washer, 0.38" ID Delrin Flat | 6 |
| 23 | N/A | Clutch Weight, Secondary | 3 |
| 24 | N/A | Washer | 6 |
| 25 | 1016201 | Washer, Wave | 3 |
| 26 | N/A | Weight, Primary | 3 |
| 27 | N/A | Plug, Drive Clutch | 3 |
| 28 | 101929802 | Kit, Fxd Face Dr Asm Fe290/350 (includes items 29 and 30) | 1 |
| 29 | N/A | Desiccant Bag (Not Shown) | 1 |
| 30 | N/A | Assembly, Fixed-Face Drive (includes items 31 through 33) | 1 |
| 31 | N/A | Fixed Face Assembly, Drive Clutch | 1 |
| 32 | 1014288 | Screw, 5/16-18 X 0.75 Thread-Forming | 3 |
| 33 | N/A | Pulley, Clutch | 1 |
| 34 | 101916701 | V-Belt | 1 |
| 35 | 103345701 | Screw 3/8-24x5.5 Hex Loc Ptch | 1 |
| 36 | 808 | Washer, 3/8 Type B Flat | 1 |
| | | Note: Item 29 not shown. | |

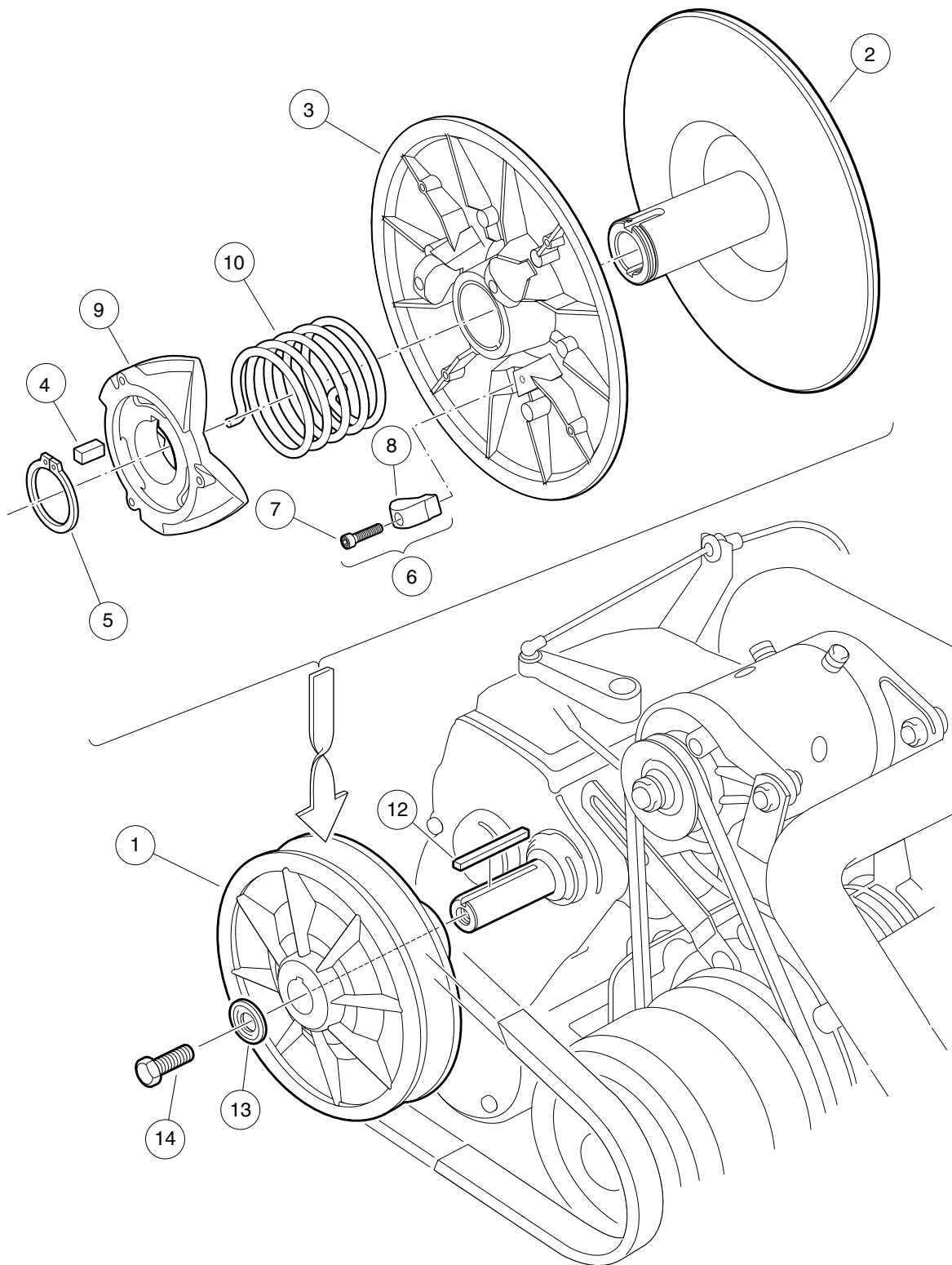


000218-001

DRIVE BELT

| ITEM | PART NO. | DESCRIPTION | QTY |
|------|----------|------------------------------|-----|
| 1 | 1016203 | 1 2 3 4 Belt, Drive | 1 |

10
G



000219-001

DRIVEN CLUTCH

| ITEM | PART NO. | DESCRIPTION | QTY |
|------|-----------|---|-----|
| | | 1 2 3 4 | |
| 1 | 101834001 | Assembly, Driven Clutch (includes items 2 through 10) | 1 |
| 2 | 1014070 | Fixed Face Assy, Driven Clutch | 1 |
| 3 | 1014072 | Movable-Face Assembly with Bushing | 1 |
| 4 | 1014078 | Key, Driven Clutch | 1 |
| 5 | 1014080 | Ring, Retaining | 1 |
| 6 | 1014454 | Kit, Driven Clutch Button (includes items 7 and 8) | 1 |
| 7 | 1012836 | Screw, #8-32 X 3/4 Socket-Head Cap | 3 |
| 8 | N/A | Button, Drive | 3 |
| 9 | 1017686 | Cam, Driven Clutch | 1 |
| 10 | 101836201 | Spring, Driven Clutch, Reversed | 1 |
| 11 | AM10419 | Kit, Clutch Repair (includes items 12 through 14) | 1 |
| 12 | 101833401 | Key, 3/16 Sq X 1.50" | 1 |
| 13 | N/A | Washer, Driven Clutch | 1 |
| 14 | 102242101 | Screw, 5/16-18 X 3/4 Hex-Head with Patch | 1 |

10
G

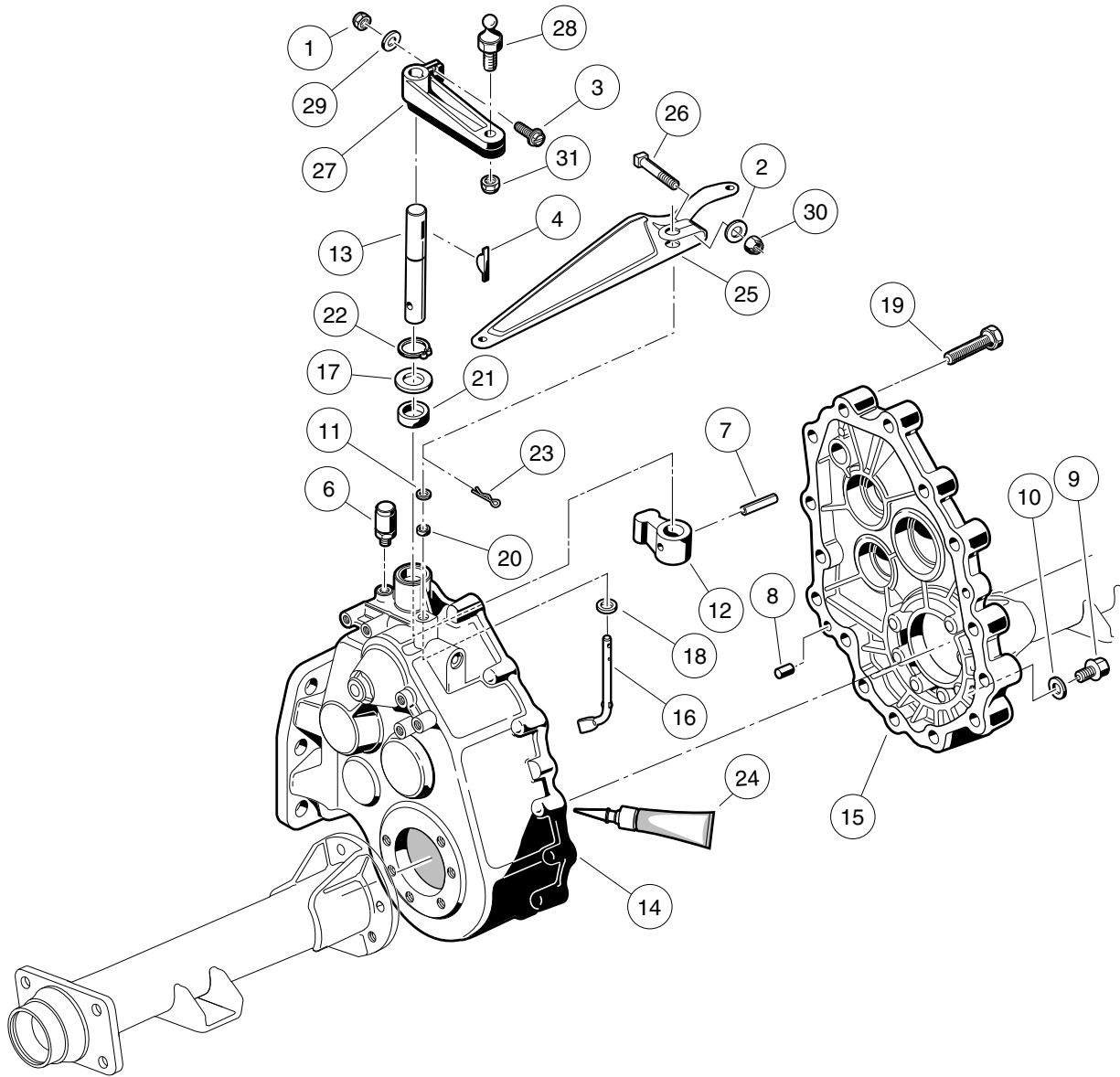
10

G

UNITIZED TRANSAXLE

11

G



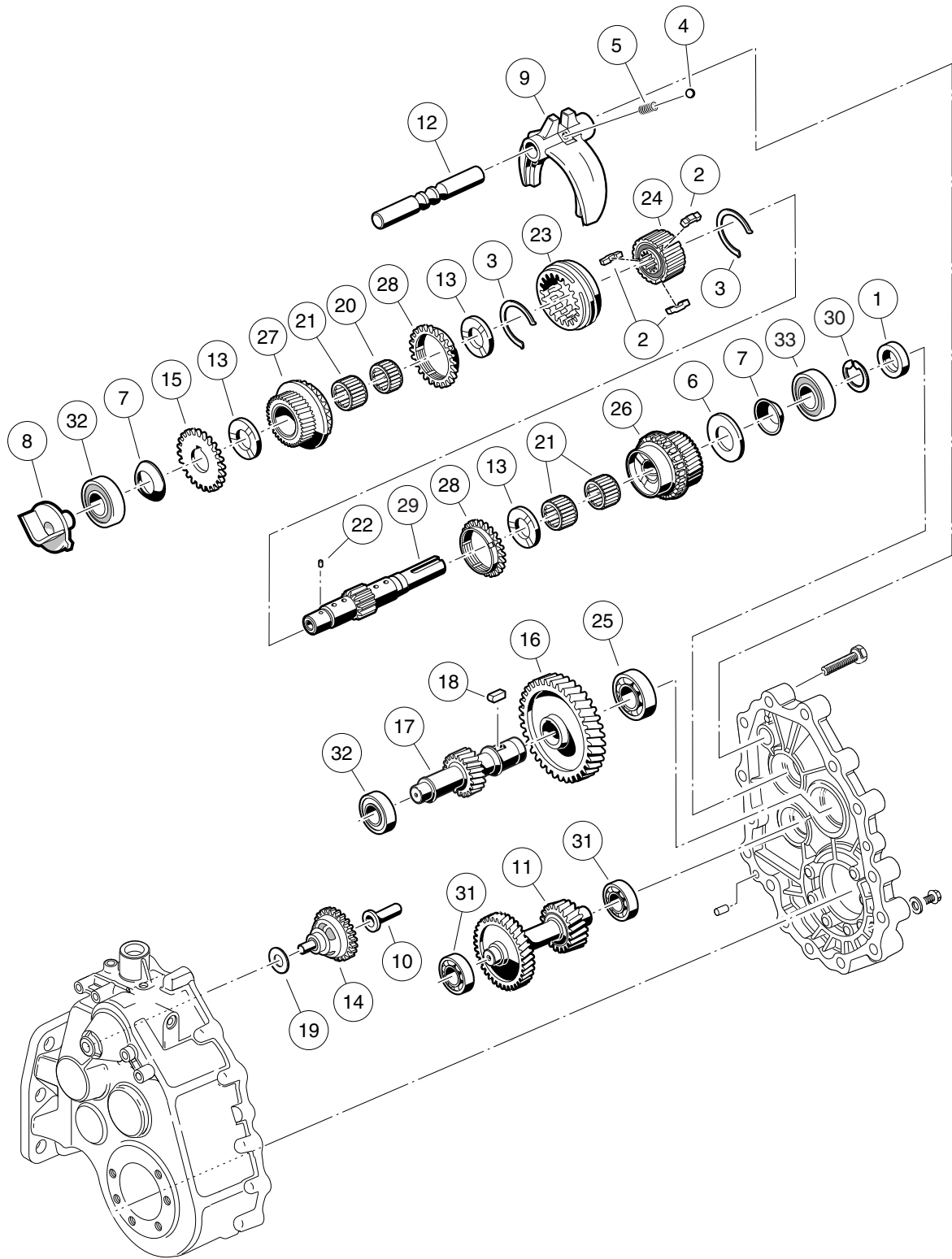
000220-002

UNITIZED TRANSAXLE – GEAR CASES AND BRACKETS

| ITEM | PART NO. | DESCRIPTION | QTY |
|---|-----------|--|-----|
| | | 1 2 3 4 | |
| 1 | 1013061 | Locknut, #10-32 Nylon Insert | 1 |
| 2 | 1014007 | Washer, 1/4 Flat | 1 |
| 3 | 1017082 | Screw, #10-32 X 0.75, Hex-Head Machine | 1 |
| 4 | 1017231 | Key, Woodruff | 1 |
| 5 | 101833601 | Transaxle, 11.77 Ratio (includes items 6 through 24) | 1 |
| 6 | 1012711 | Breather | 1 |
| 7 | 1012752 | Roll Pin | 1 |
| 8 | 1012896 | Pin, Dowel | 2 |
| 9 | 1013760 | Fill Plug | 2 |
| 10 | 1016432 | Gasket, Drain Plug | 1 |
| 11 | 1016513 | Washer, M6 Flat | 1 |
| 12 | 101890101 | Lever, Change | 1 |
| 13 | 101890201 | Shaft - Change | 1 |
| 14 | 101890501 | Gear Case (driver side) | 1 |
| 15 | 101890601 | Gear Case (passenger side) | 1 |
| 16 | 101891301 | Arm Pivot | 1 |
| 17 | 101892901 | Washer | 1 |
| 18 | 101893801 | Washer | 1 |
| 19 | 101926901 | Screw, M8-1.25 X 40mm Hex-Head | 15 |
| 20 | 101927101 | Seal, Oil | 1 |
| 21 | 101927201 | Seal, Oil | 1 |
| 22 | 101927301 | Snap Ring | 1 |
| 23 | 101928601 | Pin, Cotter | 1 |
| 24 | 101928701 | Liquid Gasket (Transaxle case) | A/R |
| 25 | 101834801 | Arm, Governor | 1 |
| 26 | 101886101 | Screw, 1/4-20 X 1.00 Square-Head | 1 |
| 27 | 102515401 | Lever, Transmission Shift | 1 |
| 28 | 102526201 | Stud, Thread, 1/4-28 | 1 |
| 29 | 183 | Washer, #10 Type A Flat | 1 |
| 30 | 8233 | Locknut, 1/4-20 Nylon Insert | 1 |
| 31 | 8717 | Locknut, 1/4-28 Nylon Insert | 1 |
| Note: Unitized transaxle component listings span several pages. | | | |

11

G



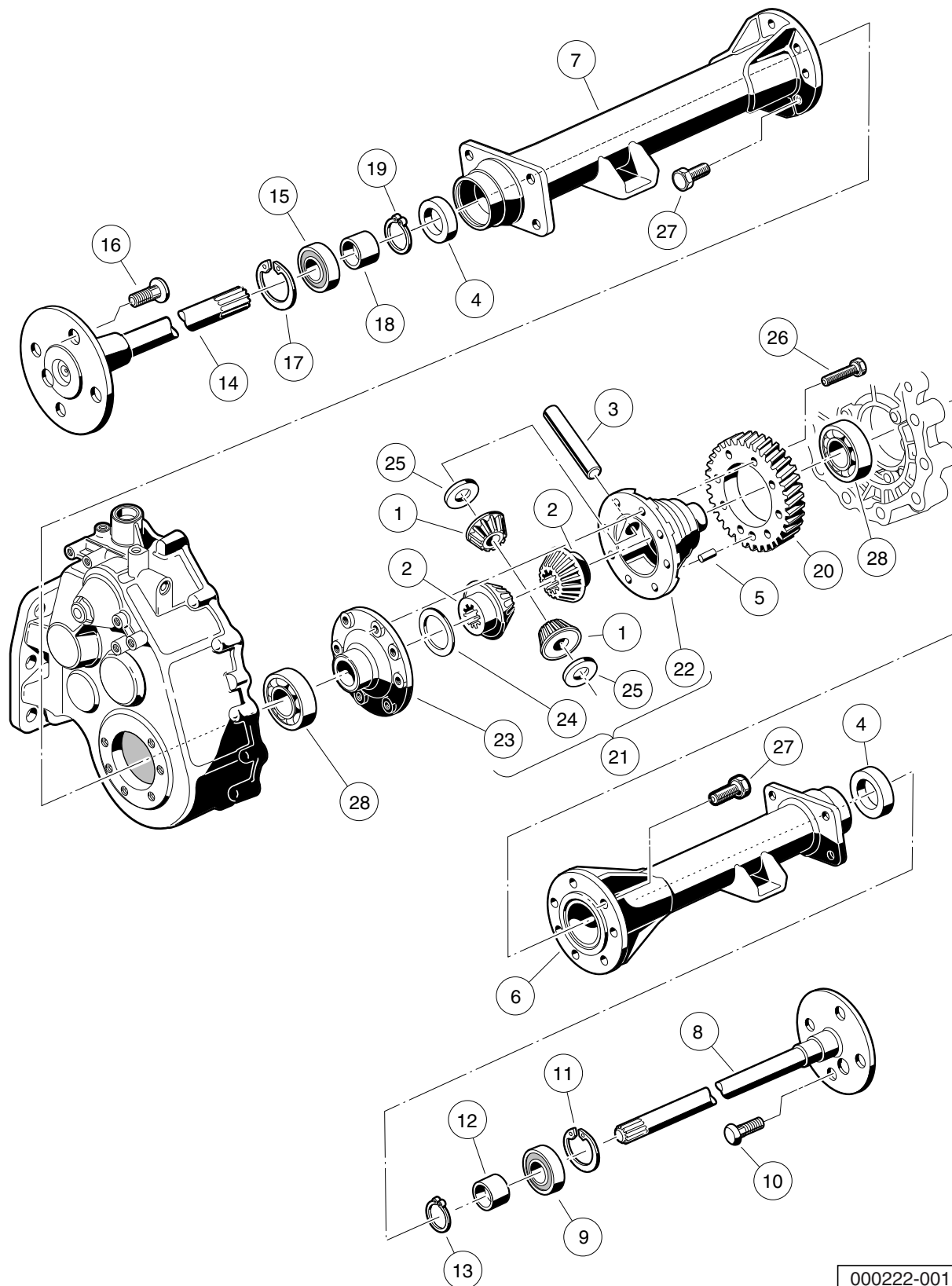
000221-001

UNITIZED TRANSAXLE – F&R TRANSMISSION AND GEAR REDUCTION

11

G

| ITEM | PART NO. | DESCRIPTION | QTY |
|------|-----------|--|-----|
| | | 1 2 3 4 | |
| 1 | 1012714 | Oil Seal | 1 |
| 2 | 1012740 | Synchro Insert | 3 |
| 3 | 1012741 | Synchro Spring | 2 |
| 4 | 1012747 | Shifter Ball | 1 |
| 5 | 1012748 | Shifter Spring | 1 |
| 6 | 1016337 | Washer, Thrust | 1 |
| 7 | 1016338 | Washer, Spring | 2 |
| 8 | 101889401 | Guide | 1 |
| 9 | 101890001 | Fork - Shift | 1 |
| 10 | 101891601 | Sleeve, Governor | 1 |
| 11 | 101891901 | Gear, Cluster | 1 |
| 12 | 101892001 | Rod, Shift | 1 |
| 13 | 101892201 | Plate, Thrust | 3 |
| 14 | 101892301 | Governor Assembly | 1 |
| 15 | 101892401 | Gear, Spur | 1 |
| 16 | 101892501 | Gear, Helical (61 Tooth) | 1 |
| 17 | 101892601 | Gear, Helical (17 Tooth) | 1 |
| 18 | 101893201 | Key Sunk | 1 |
| 19 | 101893901 | Washer | 1 |
| 20 | 101927501 | Needle Bearing | 1 |
| 21 | 101927601 | Needle Bearing | 3 |
| 22 | 101927701 | Pin, .116" Dia X 0.264 Dowel | 1 |
| 23 | 101927901 | Sleeve, Synchro | 1 |
| 24 | 101928001 | Hub, Synchro Clutch | 1 |
| 25 | 101928101 | Bearing, Ball | 1 |
| 26 | 101980801 | Gear Assembly, 16-Degree Synchro (25 Tooth) | 1 |
| 27 | 101980901 | Gear Assembly, 16-Degree Rear Synchro (28 Tooth) | 1 |
| 28 | 101981001 | Ring, 16-Degree Synchronizer | 2 |
| 29 | 102453001 | Shaft, Trans, with Circlip | 1 |
| 30 | 102453101 | Circlip | 1 |
| 31 | 7335 | Bearing | 2 |
| 32 | AM10080 | Bearing, Ball, Sealed | 2 |
| 33 | AM10081 | Bearing, Ball, Sealed | 1 |

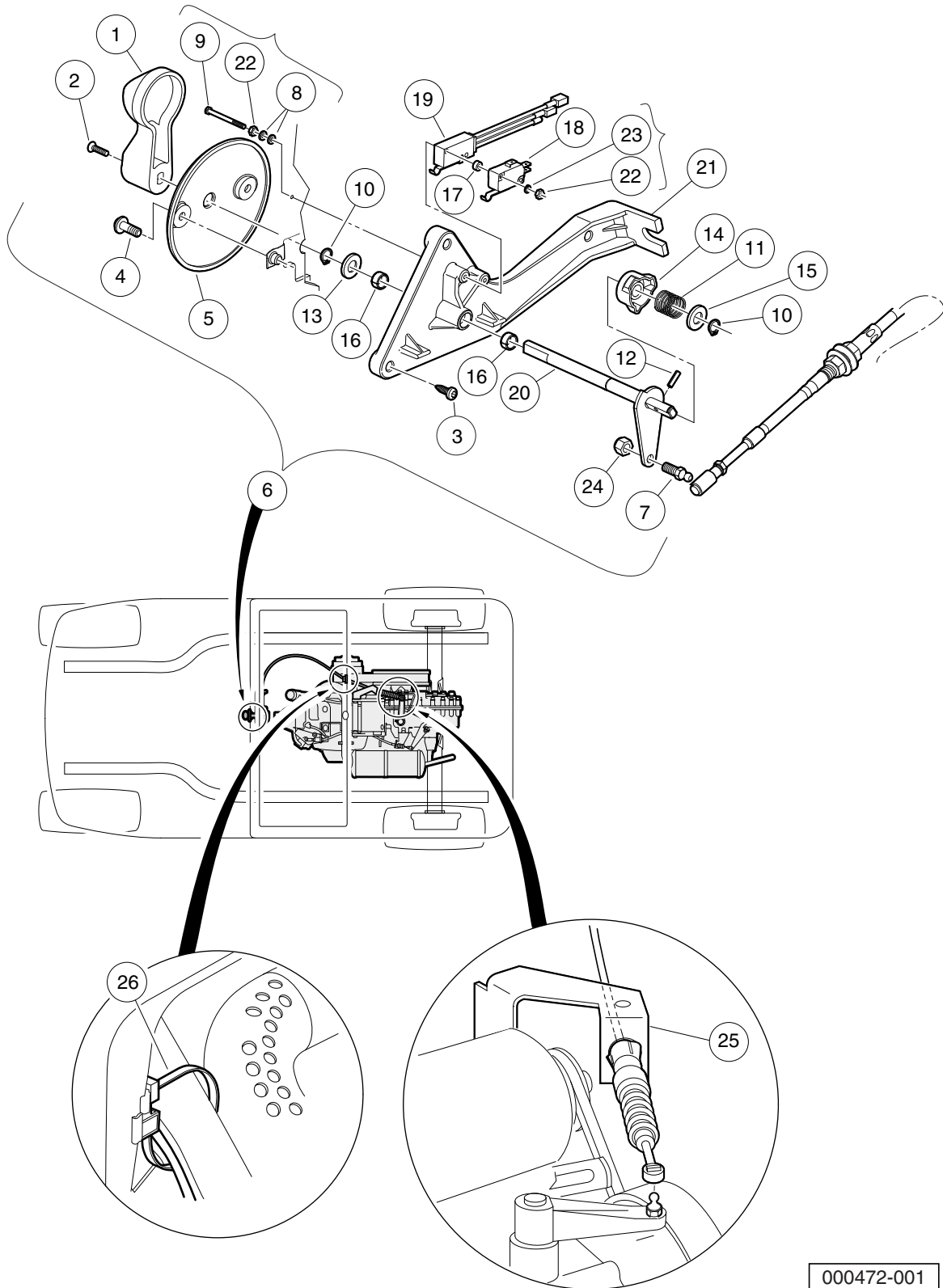


000222-001

TRANSAXLE – GASOLINE VEHICLES, DIFFERENTIAL AND AXLES

| ITEM | PART NO. | DESCRIPTION | QTY |
|--|-----------|---|-----|
| | | 1 2 3 4 | |
| 1 | 1013770 | Differential Idler Gear | 2 |
| 2 | 1013771 | Gear, Differential | 2 |
| 3 | 1013772 | Pin, Differential | 1 |
| 4 | 1013794 | Axle Shaft Oil Seal | 2 |
| 5 | N/A | Dowel Pin | 1 |
| 6 | 101890901 | Pipe | 1 |
| 7 | 101891001 | Pipe | 1 |
| 8 | 101891401 | Axle Assembly, Passenger Side (includes items 9 through 13) | 1 |
| 9 | 1011291 | Outer Axle, Tube Bearing | 1 |
| 10 | 1013787 | Lug Stud | 4 |
| 11 | 1013792 | Circlip Type C | 1 |
| 12 | 1014207 | Bushing | 1 |
| 13 | 1016672 | Retaining Ring | 1 |
| 14 | 101891501 | Axle Assembly, Driver-Side (includes items 15 through 19) | 1 |
| 15 | 1011291 | Outer Axle, Tube Bearing | 1 |
| 16 | 1013787 | Lug Stud | 4 |
| 17 | 1013792 | Circlip Type C | 1 |
| 18 | 1014207 | Bushing | 1 |
| 19 | 1016672 | Retaining Ring | 1 |
| 20 | 101892701 | Gear, Helical | 1 |
| 21 | 101910501 | Kit, Differential Gear Case (includes items 22 through 25) | 1 |
| 22 | 1013768 | Differential Gear Case, Left-Hand | 1 |
| 23 | 1013769 | Differential Gear Case, Right-Hand | 1 |
| 24 | 1013773 | Plate, Thrust (Differential Gear) | 1 |
| 25 | 1013774 | Plate, Thrust (Idler Gear) | 2 |
| 26 | 101928301 | Screw, M8-1.25 X 35mm Hex Head | 8 |
| 27 | 102031901 | Bolt, M10 X 1.5 X 30mm | 14 |
| 28 | 7330 | Inner Axle Tube Bearing | 2 |
| <p>Note: Items listed on this page are components of the unitized transaxle.</p> | | | |

11
G



000472-001

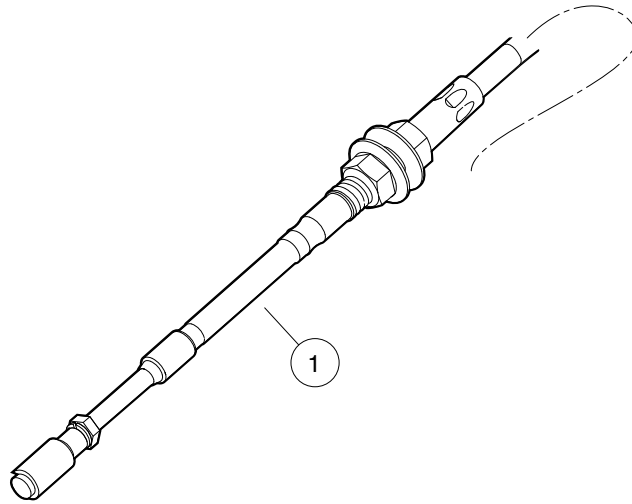
FORWARD/REVERSE SHIFTER ASSEMBLY – GASOLINE VEHICLE

| ITEM | PART NO. | DESCRIPTION | QTY |
|------|-----------|--|-----|
| | | 1 2 3 4 | |
| 1 | 1012987 | Handle, FNR | 1 |
| 2 | 1015064 | Screw, #8-32 X 0.63 Machine | 1 |
| 3 | 102296040 | Screw, Torx Pan Hd Pt, M6 X 40 | 3 |
| 4 | 102296920 | Screw, M6 Torx Bttn Hd Sems | 2 |
| 5 | 102512001 | Bezel, FNR Gas | 1 |
| 6 | 102514601 | Assembly - Gas F-n-r Shifter (includes items 7 through 24) | 1 |
| 7 | 1010954 | Stud, 1/4-28 X 0.560 Ball | 1 |
| 8 | 1012431 | Washer, #4 Flat | 4 |
| 9 | 1012594 | Screw, #4-40 Machine | 2 |
| 10 | 1013589 | Ring, 0.338" Internal Retaining | 2 |
| 11 | 1013590 | Spring, FNR Cam | 1 |
| 12 | 1013591 | Pin, 1/8 X 1/2 Roll | 1 |
| 13 | 1014065 | Washer, 0.38" ID Delrin Flat | 1 |
| 14 | 1014089 | Neutral Lockout Cam Kit (includes item 15) | 1 |
| 15 | 1014065 | Washer, 0.38" ID Delrin Flat | 1 |
| 16 | 1014145 | Bushing, Secondary Weight, Split | 2 |
| 17 | 1014727 | Washer, #4 Nylon Flat | 2 |
| 18 | 1014807 | Switch, Limit | 1 |
| 19 | 101979101 | Assembly, Switch, Limit | 1 |
| 20 | 102515301 | Weldment, F-n-r Gas | 1 |
| 21 | 102515601 | Base, Gas FNR Shifter | 1 |
| 22 | 8057 | Nut, #4-40 Hex Machine | 4 |
| 23 | 8058 | Lockwasher, #4 Helical Split | 2 |
| 24 | 8717 | Locknut, 1/4-28 Nylon Insert | 1 |
| 25 | 102515501 | Bracket, Trans Cable Support | 1 |
| 26 | 102554901 | Clip,edge,trans Shift Cable | 1 |

11
G

11

G



000473-001

TRANSMISSION CABLE

| ITEM | PART NO. | DESCRIPTION | QTY |
|------|-----------|--------------------------------------|-----|
| 1 | 102589901 | 1 2 3 4 Cable, Transmission | 1 |

11
G

11

G

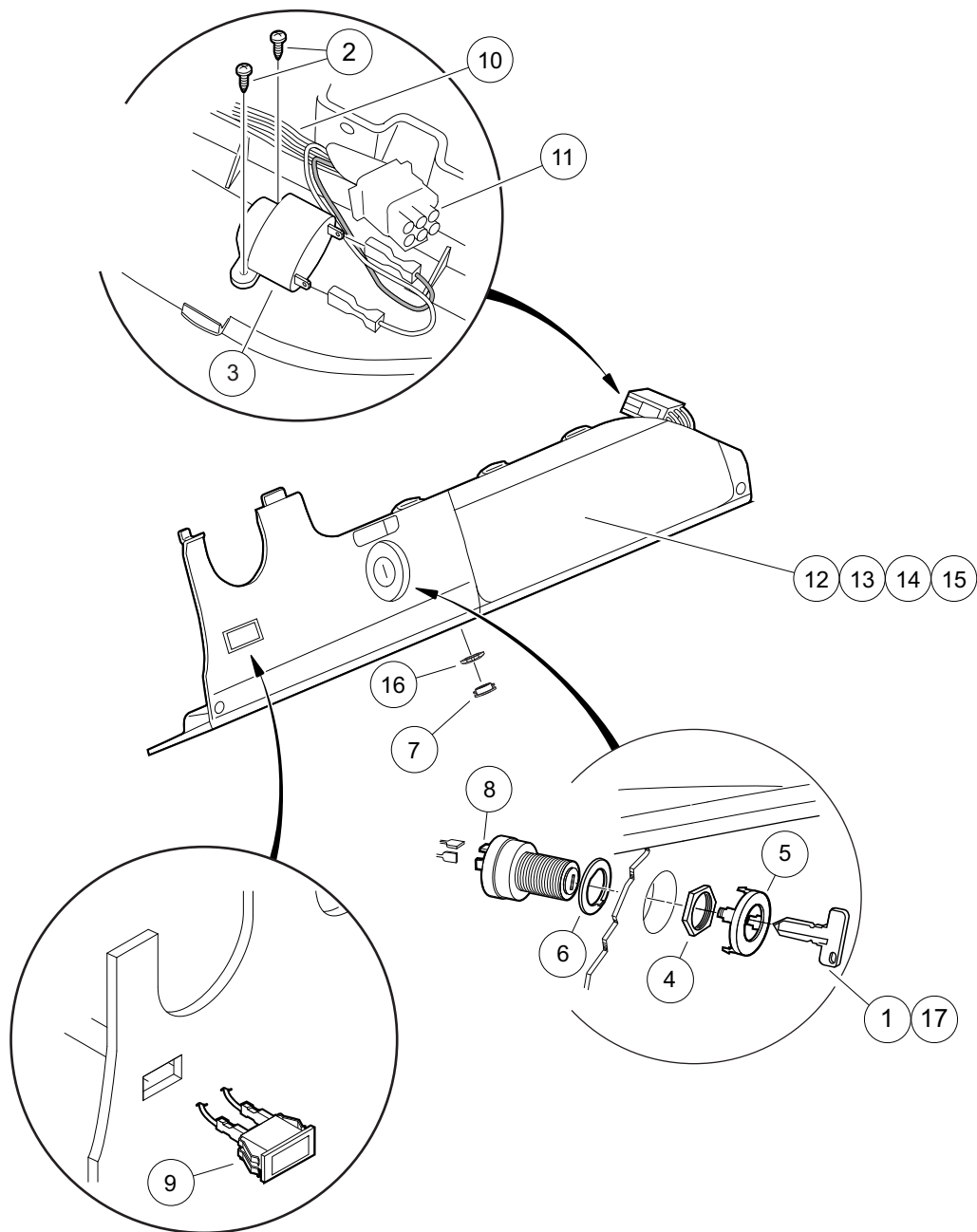
ELECTRICAL SYSTEM – ELECTRIC VEHICLE

12

E

12

E



000490-001

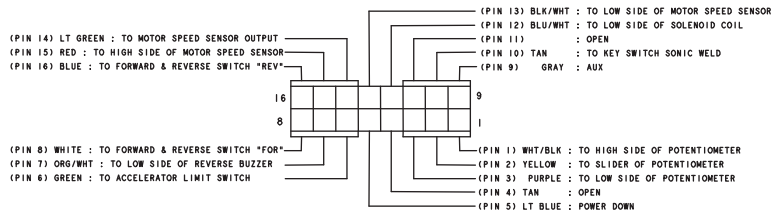
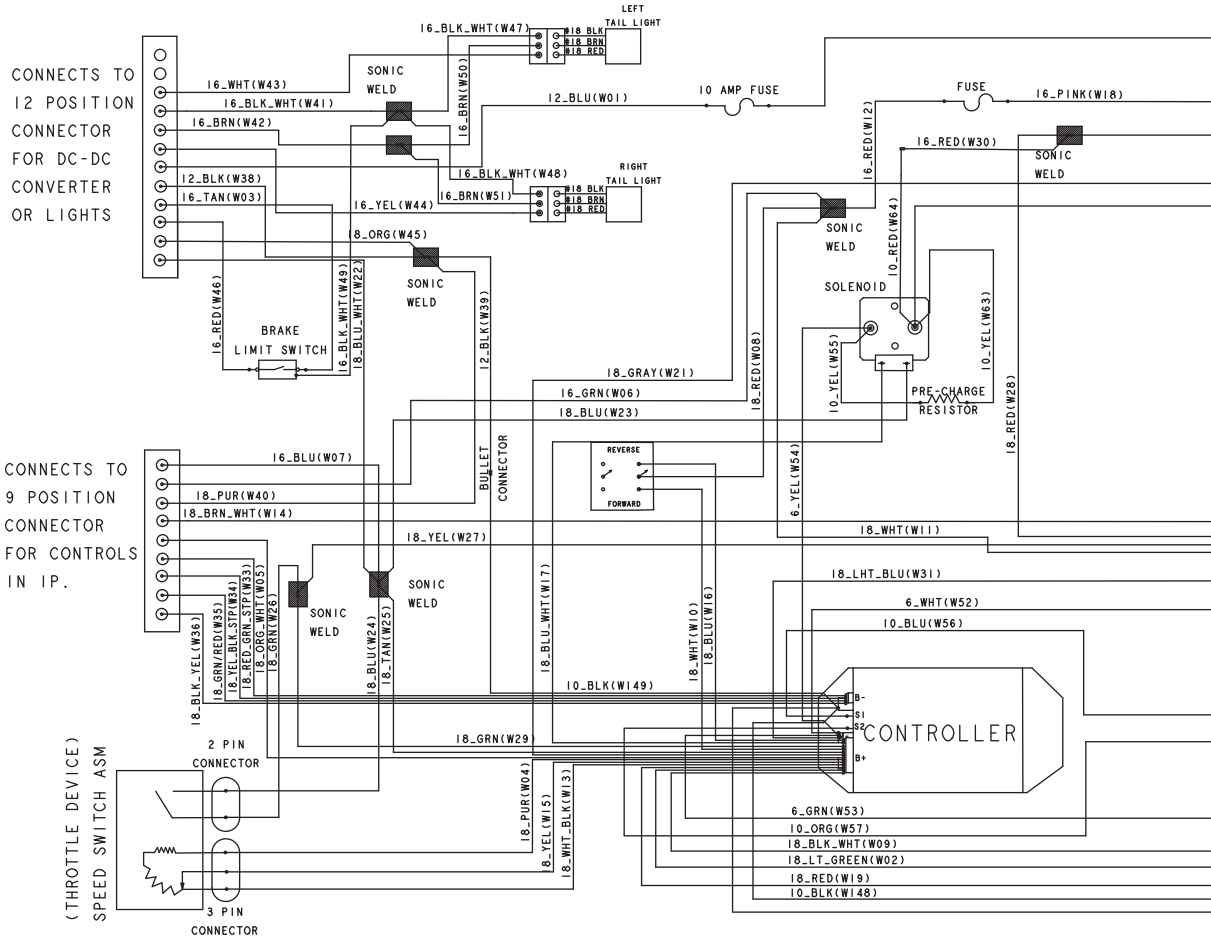
ELECTRICAL COMPONENTS, FRONT BODY – ELECTRIC VEHICLE

| ITEM | PART NO. | DESCRIPTION | QTY |
|------|-----------|---|-----|
| | | 1 2 3 4 | |
| 1 | 1012505 | Keys (set of 2) | 1 |
| 2 | 1016849 | Screw, #4-24 X 0.33 Pan-Head Machine | 2 |
| 3 | 1016851 | Buzzer, Reverse (9-48 VDC) | 1 |
| 4 | 101830701 | Nut, Key Switch | 1 |
| 5 | 101834502 | Cap, Black Key Switch | 1 |
| 6 | 101851101 | Washer, Key Switch | 1 |
| 7 | 102196901 | Dust Cap | 1 |
| 8 | 102508601 | Key Switch, Electric | 1 |
| 9 | 102508701 | Light, Battery | 1 |
| 10 | 102510001 | Ip Control Harness, Elec (includes item 11) | 1 |
| 11 | N/A | Connector, Cap 9-pin | 1 |
| 12 | 102522901 | Instrument Panel (standard) | 1 |
| 13 | 102536601 | Instrument Panel (with Hole for Headlight Switch) | 1 |
| 14 | 102536603 | Instrument Panel (with Hole for Battery Condition Indicator) | 1 |
| 15 | 102536605 | Instrument Panel (with Hole for Headlight Switch and Battery Condition Indicator) | 1 |
| 16 | 102572401 | Nut, Diagnostic Port, Prec | 1 |
| 17 | AM10079 | Bulk Std Keys (50) * | 1 |
| | | * Note: Must order in multiples of 50. | |

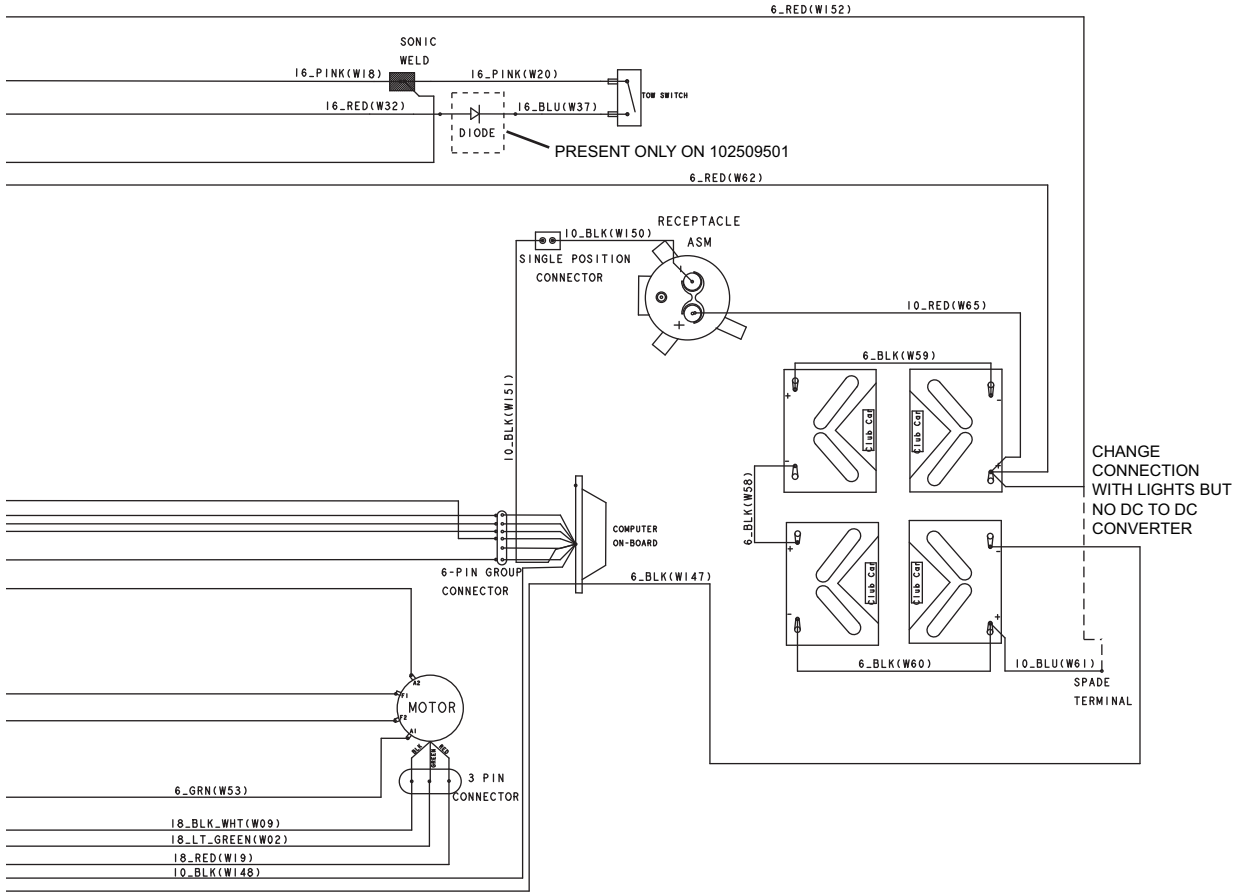
12

E

IQ SYSTEM VEHICLE - STYLE A BATTERY CONFIGURATION



000498-001



NOTE:
 SOME WIRING / COMPONENTS SHOWN
 ARE OPTIONAL ACCESSORIES

000498-001

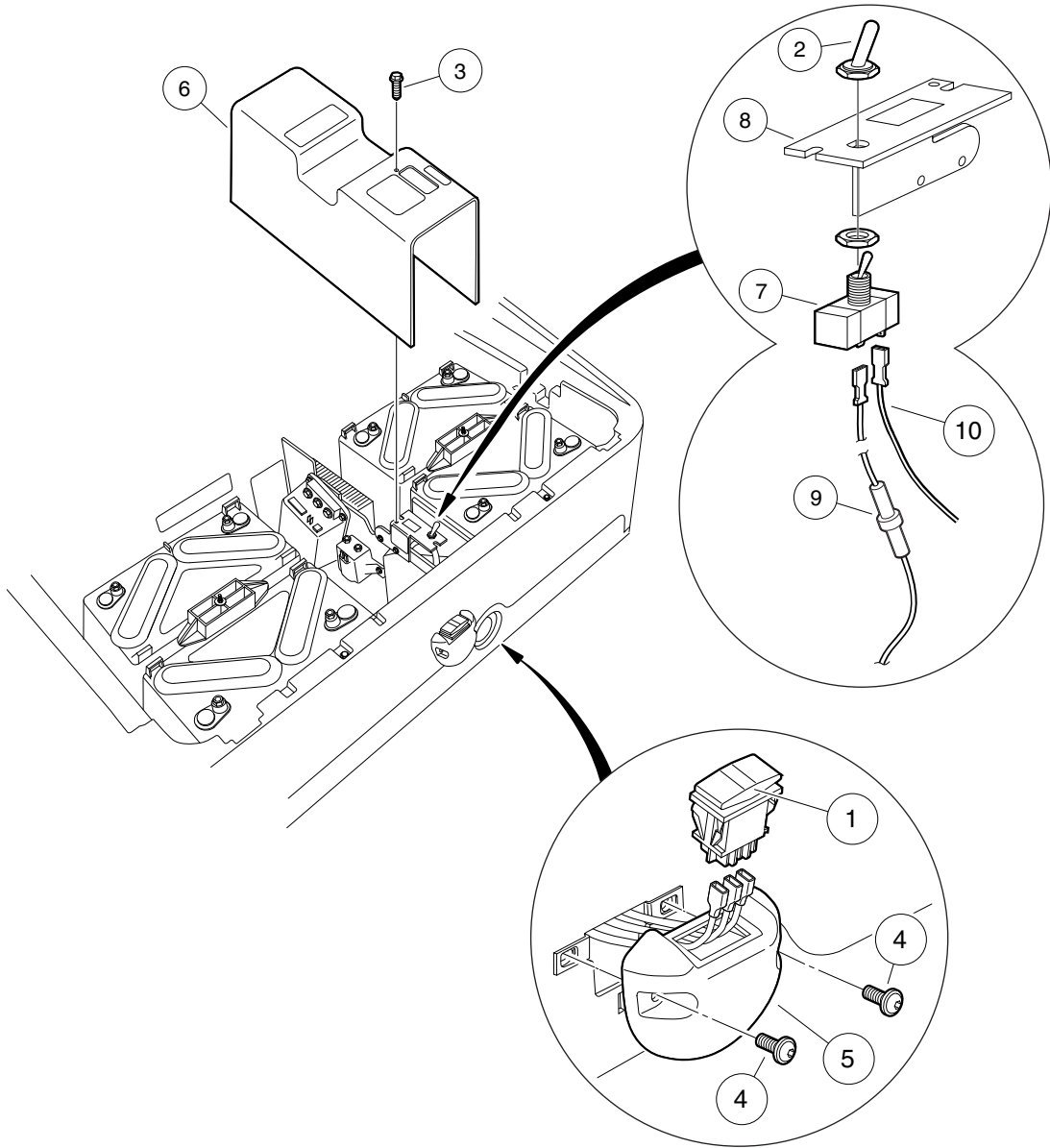
See previous two pages for illustration.

WIRING – ELECTRIC VEHICLE

12

E

| ITEM | PART NO. | DESCRIPTION | QTY |
|--|-----------|-----------------------------------|-----|
| | | 1 2 3 4 | |
| 1 | 102510101 | Motor Sub-harness | 1 |
| 2 | 102550301 | Sub Harness Charger, Prec | 1 |
| 3 | 102585801 | Prec Elec Harness For 1510a | 1 |
| 4 | 102590001 | Prec Ce Tow-switch Diode | 1 |
| <p>Note: Item 4 is used on vehicles going to the European Union.</p> | | | |



000462-001

FORWARD/REVERSE SWITCH AND TOW/RUN SWITCH – ELECTRIC VEHICLE

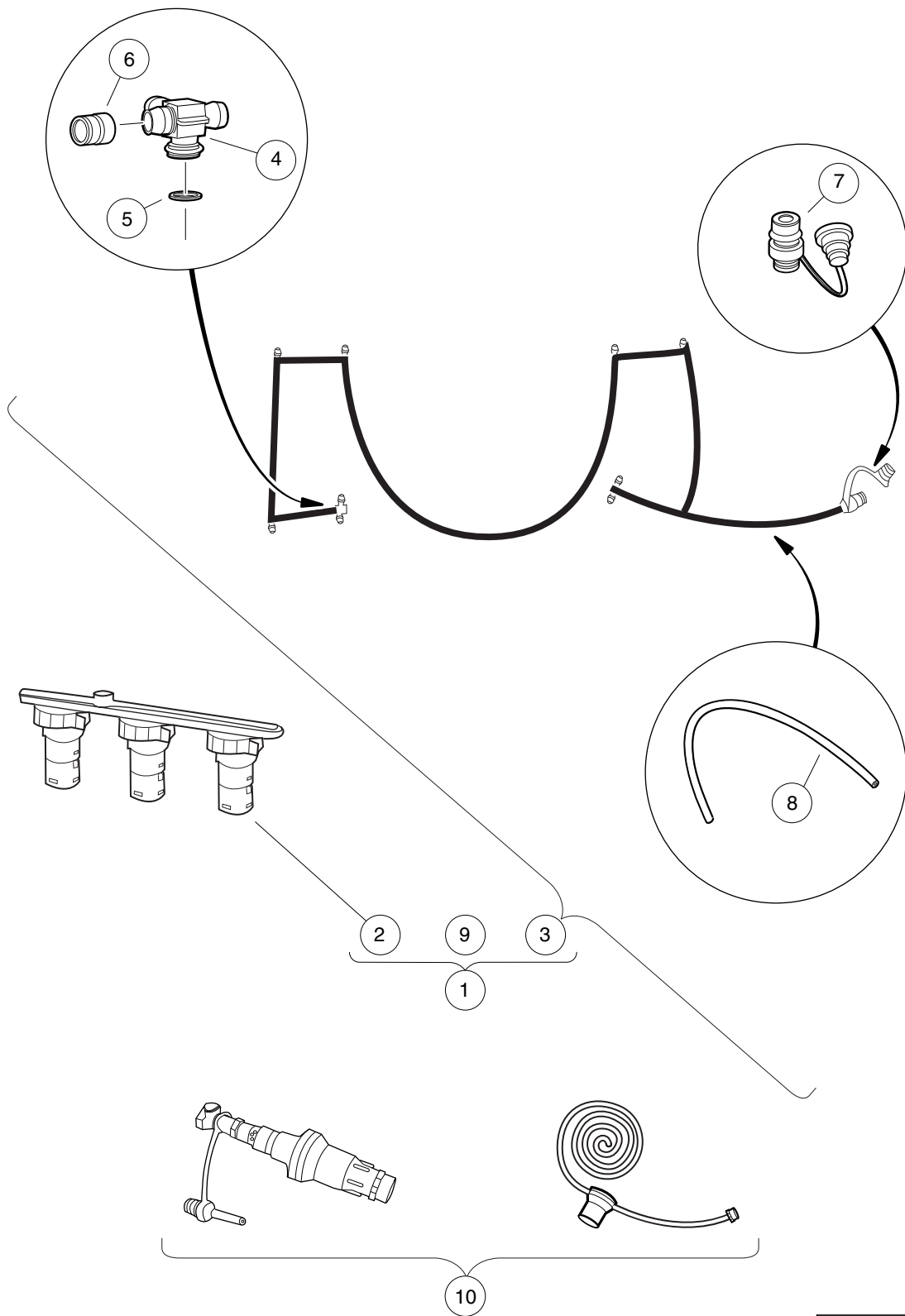
| ITEM | PART NO. | DESCRIPTION | QTY |
|------|-----------|-----------------------------------|-----|
| | | 1 2 3 4 | |
| 1 | 101856002 | Switch, Rocker, Single-Pole | 1 |
| 2 | 101908401 | Boot, Switch | 1 |
| 3 | 102296716 | Screw, M6 X 16 Tt Hx Fl Hd | 1 |
| 4 | 102296920 | Screw, M6 Torx Bttn Hd Sems | 2 |
| 5 | 102508401 | Housing, FNR Electric | 1 |
| 6 | 102510901 | Cover, Electronics Module | 1 |
| 7 | 102511101 | Switch, Tow | 1 |
| 8 | 102520001 | Hour Meter/tow Switch Bkt | 1 |
| 9 | 102538601 | 15 Amp Fuse | 1 |
| 10 | 102576801 | Diode Asm, Precedent | 1 |

12

E

12

E



000731-001

SINGLE POINT WATERING SYSTEM

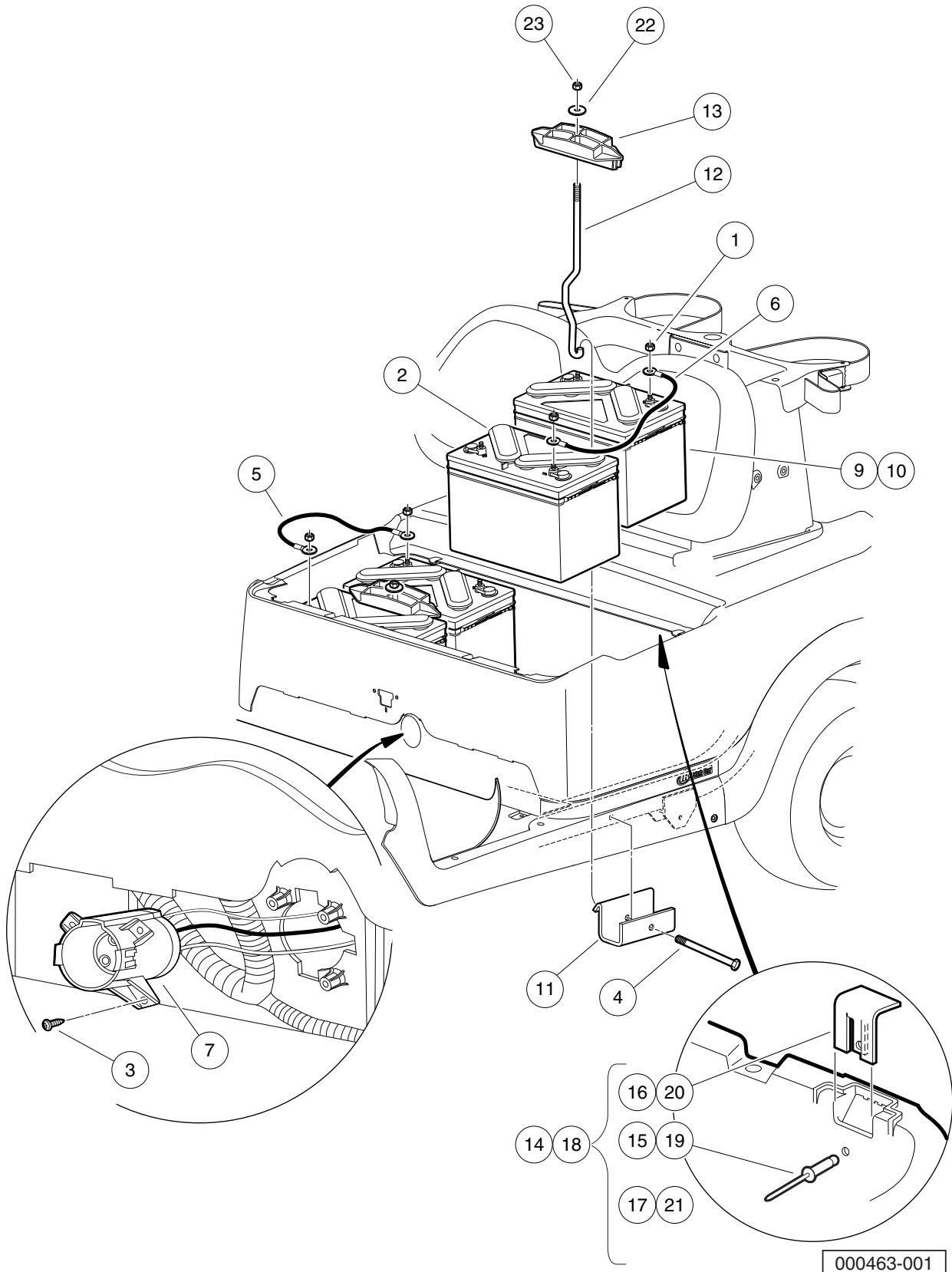
| ITEM | PART NO. | DESCRIPTION | QTY |
|------|-----------|---|-----|
| | | 1 2 3 4 | |
| 1 | 102956301 | Kit Spws Prec Fr (includes items 2 through 9) | 1 |
| 2 | 102956401 | Manifold, SPWS (Single-Point Watering System) | 8 |
| 3 | 102956501 | Assy Tube Single-Point Watering System, Precedent (includes items 4 through 8) | 1 |
| 4 | 103226201 | Fitting Spws Swivel T | 8 |
| 5 | 103226301 | O-ring Spws Swivel T | 8 |
| 6 | 103226401 | Cap Spws Swivel T Red | 9 |
| 7 | 103226601 | Coupler Male Spws Supply | 1 |
| 8 | 103226701 | Tubing Spws Bulk Roll | 1 |
| 9 | N/A | Instr Spws Kit Prec Ds Fr | 1 |
| 10 | 102958001 | Kit Regulated Hose Sply Spws | 1 |

12

E

12

E

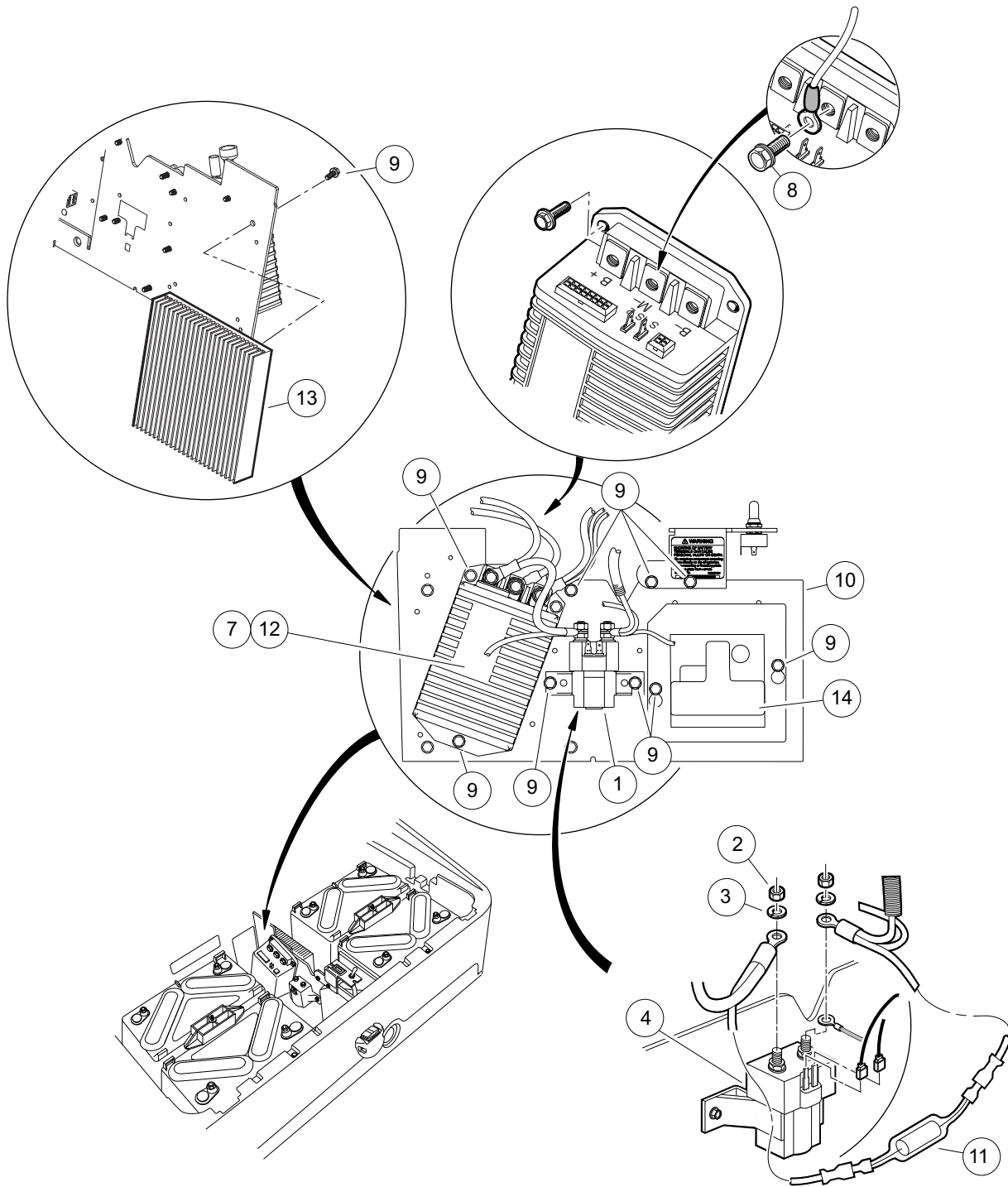


BATTERIES, BUCKET, AND CHARGER RECEPTACLE – ELECTRIC VEHICLE

| ITEM | PART NO. | DESCRIPTION | QTY |
|------|-----------|---|-----|
| | | 1 2 3 4 | |
| 1 | 1014304 | Nut, 5/16-18 Stainless-Steel Hex | 8 |
| 2 | 101831401 | Battery Cap 6 Volt | 8 |
| 3 | 102293512 | Screw-k35 Torx Pan Head Pt | 3 |
| 4 | 102298770 | M8-1.25x70 Taptite | 2 |
| 5 | 102509701 | Cable - Ev Passenger Jumper | 1 |
| 6 | 102509801 | Cable - Ev Rear Jumper | 2 |
| 7 | 102510201 | Receptacle Asm | 1 |
| 8 | 102510601 | Bucket-Electric Vehicle (not shown) | 1 |
| 9 | 102511301 | Battery, Ventmaster 12-Volt (Wet) | 4 |
| 10 | 102511302 | Battery, Ventmaster 12-Volt (Dry, also known as moist) | 4 |
| 11 | 102526401 | Support - Battery Clamp | 2 |
| 12 | 102526801 | Rod - Battery Clamp | 2 |
| 13 | 102534001 | Clamp - Battery | 2 |
| 14 | 102577001 | Kit, Bucket Closeout (includes items 15 through 17) | 1 |
| 15 | 1013357 | Rivet, 5/32 Aluminum Pop | 2 |
| 16 | N/A | Bracket, Bucket Closeout | 2 |
| 17 | N/A | Instr. Bucket Closeout | 1 |
| 18 | 102577002 | Kit, Bucket Closeout - 10 Sets (includes items 19 through 21) | 1 |
| 19 | 1013357 | Rivet, 5/32 Aluminum Pop | 20 |
| 20 | N/A | Bracket, Bucket Closeout | 20 |
| 21 | N/A | Instr. Bucket Closeout | 1 |
| 22 | 808 | Washer, 3/8 Type B Flat | 2 |
| 23 | 8754 | Locknut, 3/8-16 Hex | 2 |

12

E



000486-001

COMPUTER, CONTROLLER, AND SOLENOID – ELECTRIC VEHICLE

| ITEM | PART NO. | DESCRIPTION | QTY |
|------|-----------|--|-----|
| | | 1 2 3 4 | |
| 1 | 101908701 | Solenoid, 48-Volt (includes items 2 through 6) | 1 |
| 2 | 1012528 | Nut, M8-1.25 Hex | 2 |
| 3 | 1013734 | Lockwasher, 8mm Split | 2 |
| 4 | N/A | Solenoid, 48-Volt | 1 |
| 5 | N/A | Washer, Lock | 2 |
| 6 | N/A | Nut | 2 |
| 7 | 101956503 | Controller, 48-volt, IQ, CE Mark | 1 |
| 8 | 102240501 | Bolt, Controller, Terminal | 3 |
| 9 | 102296716 | Screw, M6 X 16 Tt Hx Fl Hd | 13 |
| 10 | 102510802 | Plate - Heat Sink Mntg Solnd | 1 |
| 11 | 102522701 | Asm, Pre-charge Resistor | 1 |
| 12 | 102806201 | Controller, IQ, 48-volt | 1 |
| 13 | 103262001 | Heat Sink Prec | 1 |
| 14 | 103403201 | Precedent V3.0 Obc | 1 |
| | | <p>Note: Item 7 is for vehicles shipped to the European Union. Items 5 & 6 are not used in this application.</p> | |

12

E

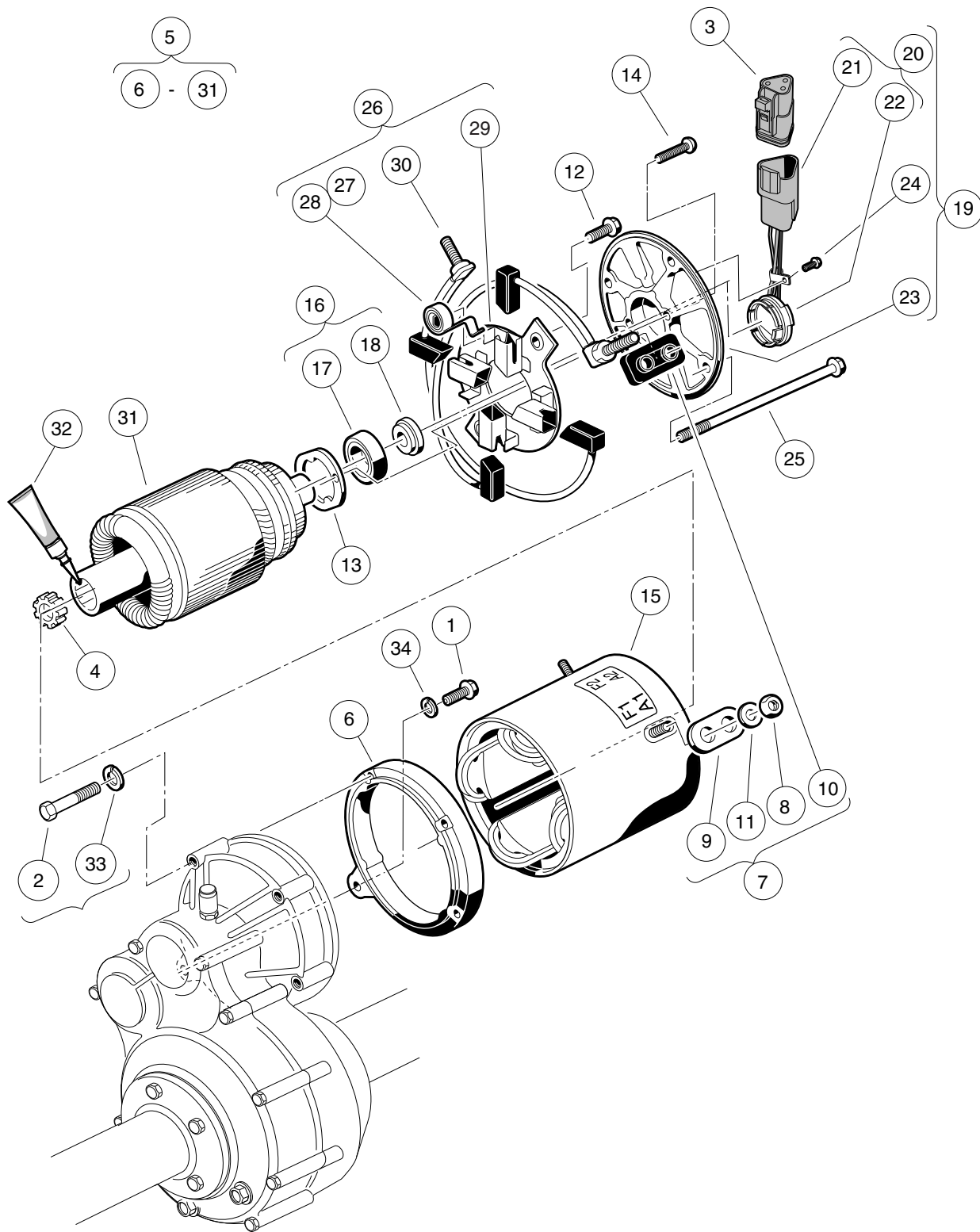
12

E

ELECTRIC MOTOR

13

E



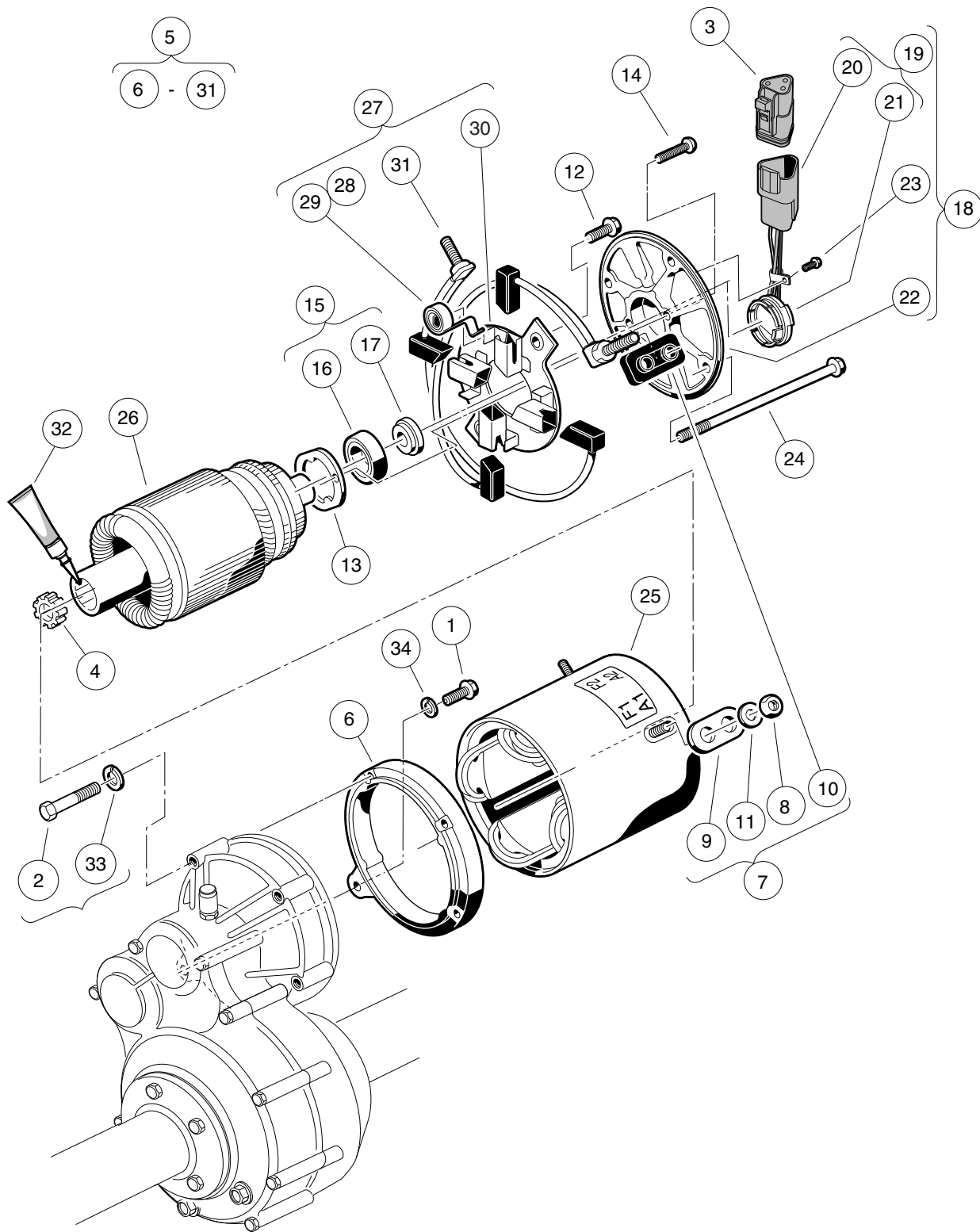
000349-001

MOTOR (MODEL 5BC59JBS6365) – ELECTRIC VEHICLE

| ITEM | PART NO. | DESCRIPTION | QTY |
|--|-----------|--|-----|
| | | 1 2 3 4 | |
| 1 | 1010934 | Screw, 5/16-18 X 1.00 Hex Cap | 1 |
| 2 | 1014201 | Screw, 1/4-20 X 2.25 Hex Cap | 3 |
| 3 | 101920101 | Kit, 3-Pin Wedge Lock | 1 |
| 4 | 102235201 | Bumper, Drive Unit | 1 |
| 5 | N/A | Motor, 48-Volt Shunt-Wound * (includes items 6 through 31) | 1 |
| 6 | 1017944 | End Shield | 1 |
| 7 | 1017947 | Hardware Package (includes items 8 through 11) | 1 |
| 8 | 1011280 | Locknut, 5/16-18 | 4 |
| 9 | N/A | Insulator Bushing | 2 |
| 10 | N/A | Insulated Bushing | 2 |
| 11 | 1241 | Washer, 5/16 Type A Flat | 4 |
| 12 | 1017949 | Screw, #6-32 X 0.480 Hex-Head | 2 |
| 13 | 1017950 | Bearing Retainer | 1 |
| 14 | 1017953 | Screw, Bearing Retainer | 2 |
| 15 | N/A | Stator Shell and Winding | 1 |
| 16 | 102265701 | Kit, Bearing and Magnet (includes items 17 and 18) | 1 |
| 17 | N/A | Ball Bearing | 1 |
| 18 | N/A | Magnet | 1 |
| 19 | 102265901 | Motor End Shield Asm (includes items 20 through 24) | 1 |
| 20 | 102265601 | Speed Sensor Assembly (includes items 21 and 22) | 1 |
| 21 | 101942301 | Kit, 3-Pin Wedge Lock | 1 |
| 22 | N/A | Sensor, Speed, without Connector | 1 |
| 23 | 102266001 | End Shield, Motor | 1 |
| 24 | 102267001 | Screw, #8-32 X 0.375 Hex-Head | 1 |
| 25 | 102266101 | Screw, #10 - 32 X 8.250 | 4 |
| 26 | 102327801 | Brush Assembly, Beveled (includes items 27 through 30) | 1 |
| 27 | 1011411 | Kit, Brush Spring (ge Motor) (includes item 28) | 1 |
| 28 | N/A | Brush Spring | 4 |
| 29 | 1017948 | Brush Rigging | 1 |
| 30 | 102251901 | Brush Kit, Motor | 1 |
| 31 | N/A | Armature | 1 |
| 32 | 102243403 | Lubricant, Moly-Teflon (Single-Use Tube) | 1 |
| 33 | 451 | Lockwasher, 1/4 Helical Split | 3 |
| 34 | 7174 | Lockwasher, 5/16 Split | 1 |
| * Note: The model 5BC59JBS6365 motor has been discontinued. To replace the motor, use motor model EJ8-4001A. | | | |

13

E



000349-002

MOTOR (MODEL 5BC59JBS6390) – ELECTRIC VEHICLE

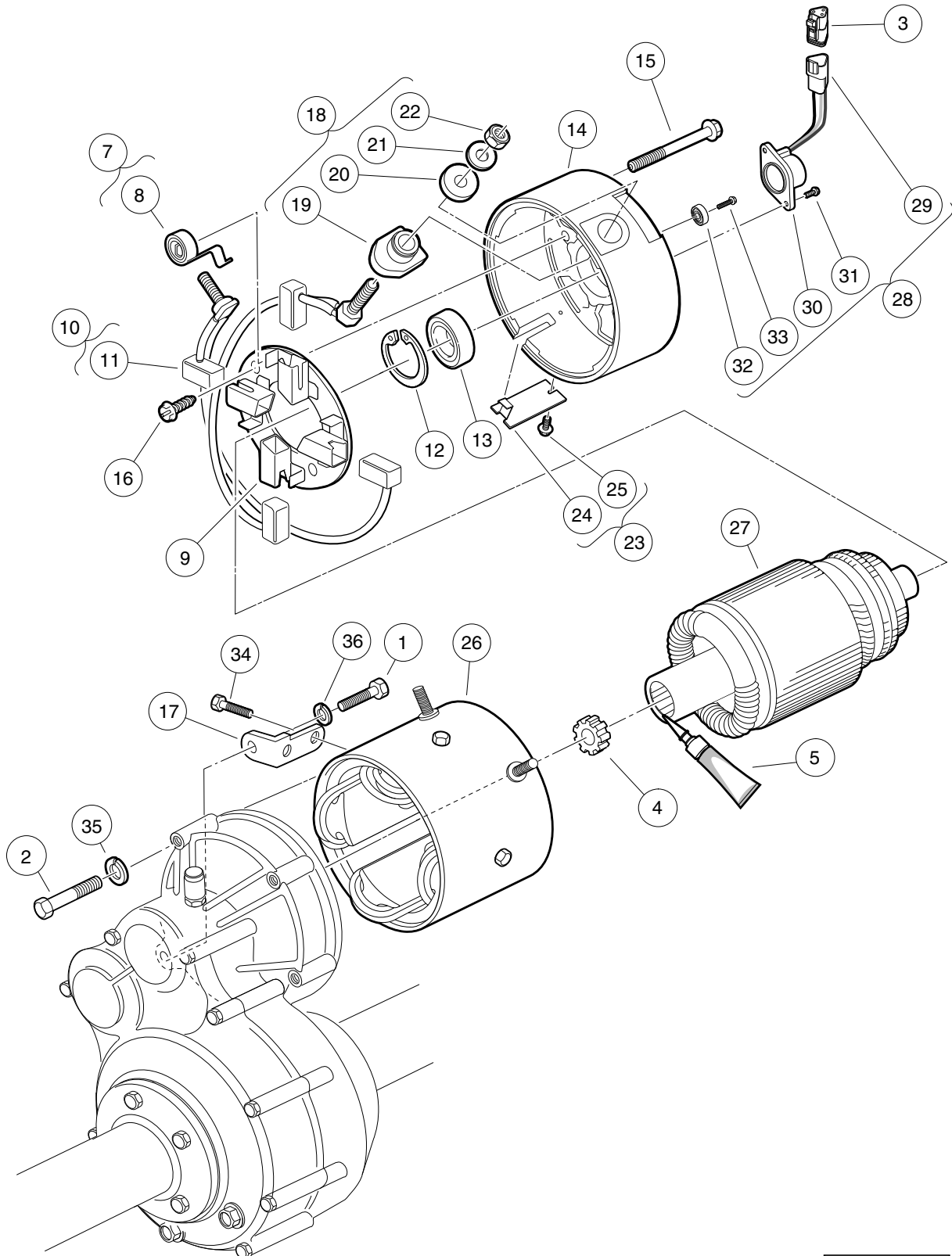
| ITEM | PART NO. | DESCRIPTION | QTY |
|--|-----------|---|-----|
| | | 1 2 3 4 | |
| 1 | 1010934 | Screw, 5/16-18 X 1.00 Hex Cap | 1 |
| 2 | 1014201 | Screw, 1/4-20 X 2.25 Hex Cap | 3 |
| 3 | 101920101 | Kit, 3-Pin Wedge Lock | 1 |
| 4 | 102235201 | Bumper, Drive Unit | 1 |
| 5 | N/A | Motor, 48-Volt Non-Skew IQ * (includes items 6 through 27) | 1 |
| 6 | 1017944 | End Shield | 1 |
| 7 | 1017947 | Hardware Package (includes items 8 through 11) | 1 |
| 8 | 1011280 | Locknut, 5/16-18 | 4 |
| 9 | N/A | Insulator Bushing | 2 |
| 10 | N/A | Insulated Bushing | 2 |
| 11 | 1241 | Washer, 5/16 Type A Flat | 4 |
| 12 | 1017949 | Screw, #6-32 X 0.480 Hex-Head | 2 |
| 13 | 1017950 | Bearing Retainer | 1 |
| 14 | 1017953 | Screw, Bearing Retainer | 2 |
| 15 | 102265701 | Kit, Bearing and Magnet (includes items 16 and 17) | 1 |
| 16 | N/A | Ball Bearing | 1 |
| 17 | N/A | Magnet | 1 |
| 18 | 102265901 | Motor End Shield Asm (includes items 19 through 23) | 1 |
| 19 | 102265601 | Speed Sensor Assembly (includes items 20 and 21) | 1 |
| 20 | 101942301 | Kit, 3-Pin Wedge Lock | 1 |
| 21 | N/A | Sensor, Speed, without Connector | 1 |
| 22 | 102266001 | End Shield, Motor | 1 |
| 23 | 102267001 | Screw, #8-32 X 0.375 Hex-Head | 1 |
| 24 | 102266101 | Screw, #10 - 32 X 8.250 | 4 |
| 25 | 103325701 | Stator Shell and Winding | 1 |
| 26 | N/A | Non Skew Armature | 1 |
| 27 | 103337601 | Brush Assembly, IQ Motor, Non-Skew (includes items 28 through 31) | 1 |
| 28 | 1011411 | Kit, Brush Spring (ge Motor) (includes item 29) | 1 |
| 29 | N/A | Brush Spring | 4 |
| 30 | 103325501 | Brush Rigging, Non-Skew Motor | 1 |
| 31 | 103325601 | Brush Set, Non-Skew | 1 |
| 32 | 102243403 | Lubricant, Moly-Teflon (Single-Use Tube) | 1 |
| 33 | 451 | Lockwasher, 1/4 Helical Split | 3 |
| 34 | 7174 | Lockwasher, 5/16 Split | 1 |
| * Note: The model 5BC59JBS6390 motor has been discontinued. To replace the motor, use motor model EJ8-4001A. | | | |

13

E

13

E



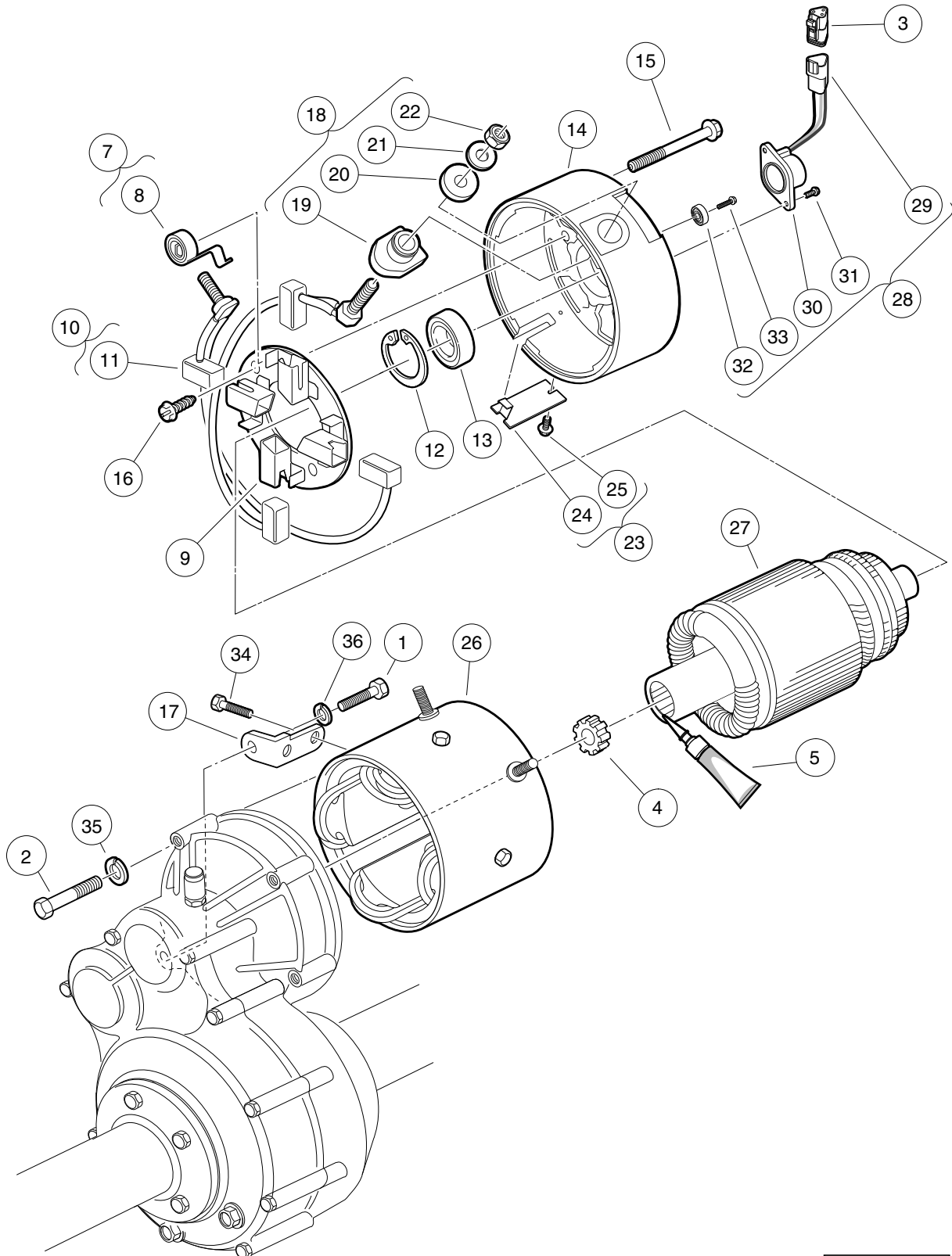
000185-001

MOTOR (MODEL EJ4-4001) – ELECTRIC VEHICLE

| ITEM | PART NO. | DESCRIPTION | QTY |
|------|-----------|--|-----|
| | | 1 2 3 4 | |
| 1 | 1010934 | Screw, 5/16-18 X 1.00 Hex Cap | 1 |
| 2 | 1014201 | Screw, 1/4-20 X 2.25 Hex Cap | 3 |
| 3 | 101920101 | Kit, 3-Pin Wedge Lock | 1 |
| 4 | 102235201 | Bumper, Drive Unit | 1 |
| 5 | 102243403 | Lubricant, Moly-Teflon (Single-Use Tube) | 1 |
| 6 | N/A | IQ Electric Motor, 48-VDC 3.3 hp * (includes items 7 through 34) | 1 |
| 7 | 102186001 | Spring Kit, Motor Brush (includes item 8) | 1 |
| 8 | N/A | Spring, Brush, S-g | 4 |
| 9 | 102186101 | Brush Box Assembly | 1 |
| 10 | 102186201 | Brush Kit, Motor (includes item 11) | 1 |
| 11 | N/A | Assembly, Brush and Terminal | 2 |
| 12 | N/A | Ring, 2.24" Internal Retaining | 1 |
| 13 | 102186401 | Bearing, Ball | 1 |
| 14 | 102186701 | End Cap, Motor | 1 |
| 15 | N/A | Screw, 1/4-20 X 2.25 Hex-Head Washer | 2 |
| 16 | 102186901 | Screw, #8-32 X .5 Hex-Head | 2 |
| 17 | 102187001 | L-Bracket, Motor | 1 |
| 18 | 102187101 | Hardware Kit, Motor Terminal (includes items 19 through 22) | 2 |
| 19 | N/A | Bushing, Nylon | 2 |
| 20 | N/A | Washer, Nylon Flat | 2 |
| 21 | N/A | Washer, Flat, 5/16 Steel | 2 |
| 22 | N/A | Nut, Brass Hex, 5/16 - 18 | 2 |
| 23 | N/A | Plate Kit, Motor Cover (includes items 24 and 25) | 1 |
| 24 | N/A | Assembly, Cover Plate | 1 |
| 25 | N/A | Screw, #8-32 x 0.375, Taptite Thread | 1 |
| 26 | N/A | Frame and Field Assembly | 1 |
| 27 | 102704801 | Armature Assembly | 1 |
| 28 | 102704901 | Kit, Speed Sensor (includes items 29 through 33) | 1 |
| 29 | 101942301 | Kit, 3-Pin Wedge Lock | 1 |
| 30 | N/A | Sensor, Motor Speed, ADC | 1 |
| 31 | N/A | Screw, #8-32, Taptite Thread | 2 |
| 32 | N/A | Magnet, ADC Motor | 1 |
| 33 | N/A | Screw, 1/4-20 x 0.5 | 1 |
| 34 | N/A | Bolt, 1/4 - 20 x 0.73 Thread-Forming | 2 |
| 35 | 451 | Lockwasher, 1/4 Helical Split | 3 |
| 36 | 7174 | Lockwasher, 5/16 Split | 1 |
| | | * Note: The model EJ4-4001 motor has been discontinued. To replace the motor, use motor model EJ8-4001A. | |

13

E



000185-002

MOTOR (MODEL EJ8-4001A) – ELECTRIC VEHICLE

| ITEM | PART NO. | DESCRIPTION | QTY |
|------|-----------|--|-----|
| | | 1 2 3 4 | |
| 1 | 1010934 | Screw, 5/16-18 X 1.00 Hex Cap | 1 |
| 2 | 1014201 | Screw, 1/4-20 X 2.25 Hex Cap | 3 |
| 3 | 101920101 | Kit, 3-Pin Wedge Lock | 1 |
| 4 | 102235201 | Bumper, Drive Unit | 1 |
| 5 | 102243403 | Lubricant, Moly-Teflon (Single-Use Tube) | 1 |
| 6 | 103572501 | IQ Electric Motor, 48-VDC 3.3 hp (includes items 7 through 34) | 1 |
| 7 | 102186001 | Spring Kit, Motor Brush (includes item 8) | 1 |
| 8 | N/A | Spring, Brush, S-g | 4 |
| 9 | 102186101 | Brush Box Assembly | 1 |
| 10 | 102186201 | Brush Kit, Motor (includes item 11) | 1 |
| 11 | N/A | Assembly, Brush and Terminal | 2 |
| 12 | N/A | Ring, 2.24" Internal Retaining | 1 |
| 13 | 102186401 | Bearing, Ball | 1 |
| 14 | 102186701 | End Cap, Motor | 1 |
| 15 | N/A | Screw, 1/4-20 X 2.25 Hex-Head Washer | 2 |
| 16 | 102186901 | Screw, #8-32 X .5 Hex-Head | 2 |
| 17 | 102187001 | L-Bracket, Motor | 1 |
| 18 | 102187101 | Hardware Kit, Motor Terminal (includes items 19 through 22) | 2 |
| 19 | N/A | Bushing, Nylon | 2 |
| 20 | N/A | Washer, Nylon Flat | 2 |
| 21 | N/A | Washer, Flat, 5/16 Steel | 2 |
| 22 | N/A | Nut, Brass Hex, 5/16 - 18 | 2 |
| 23 | N/A | Plate Kit, Motor Cover (includes items 24 and 25) | 1 |
| 24 | N/A | Assembly, Cover Plate | 1 |
| 25 | N/A | Screw, #8-32 x 0.375, Taptite Thread | 1 |
| 26 | N/A | Frame and Field Assembly | 1 |
| 27 | 102704801 | Armature Assembly | 1 |
| 28 | 102704901 | Kit, Speed Sensor (includes items 29 through 33) | 1 |
| 29 | 101942301 | Kit, 3-Pin Wedge Lock | 1 |
| 30 | N/A | Sensor, Motor Speed, ADC | 1 |
| 31 | N/A | Screw, #8-32, Taptite Thread | 2 |
| 32 | N/A | Magnet, ADC Motor | 1 |
| 33 | N/A | Screw, 1/4-20 x 0.5 | 1 |
| 34 | N/A | Bolt, 1/4 - 20 x 0.73 Thread-Forming | 2 |
| 35 | 451 | Lockwasher, 1/4 Helical Split | 3 |
| 36 | 7174 | Lockwasher, 5/16 Split | 1 |

13

E

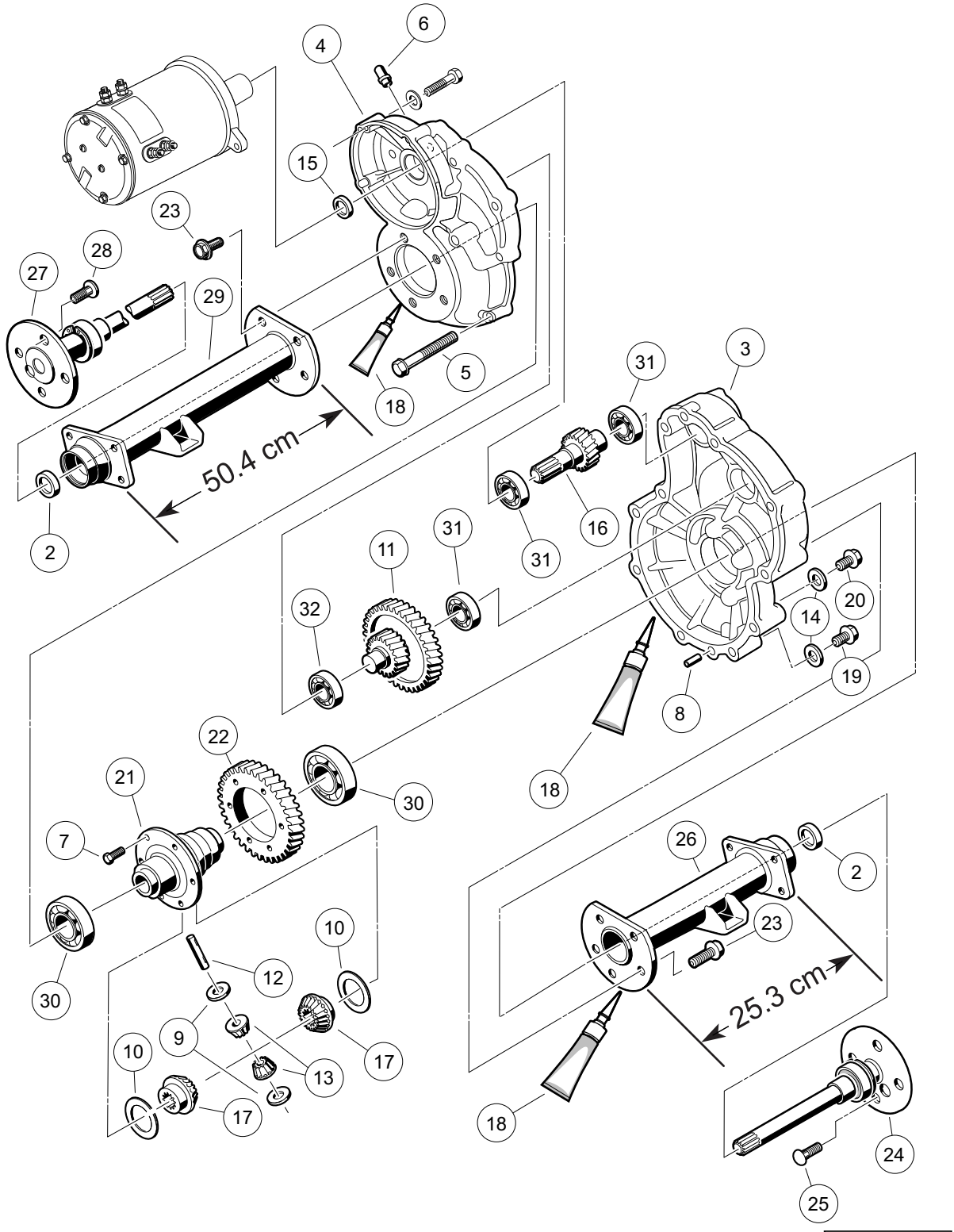
13

E

TRANSAXLE – ELECTRIC VEHICLES

14

E



000223-002

TRANSAXLE – ELECTRIC VEHICLES

| ITEM | PART NO. | DESCRIPTION | QTY |
|------|-----------|---|-----|
| | | 1 2 3 4 | |
| 1 | 102771701 | Transaxle, Electric (includes items 2 through 32) | 1 |
| 2 | 1013794 | Axle Shaft Oil Seal | 2 |
| 3 | 101895401 | Gear Case, Left-Hand | 1 |
| 4 | 101895501 | Gear Case, Passenger-Side | 1 |
| 5 | 101897001 | Screw, M8-1.25 X 60mm Hex-Head | 11 |
| 6 | 101897201 | Breather | 1 |
| 7 | 101897401 | Screw, M10-1.25 X 25mm | 6 |
| 8 | 101897601 | Pin, 11mm OD X 8.5mm ID X 10mm | 2 |
| 9 | 101903601 | Washer, Thrust | 2 |
| 10 | 101903701 | Washer, Thrust | 2 |
| 11 | 101906901 | Intermediate Shaft Assembly | 1 |
| 12 | 101922101 | Pin, 15.99mm X 88.7mm Dowel | 1 |
| 13 | 101923001 | Gear, Differential Idler | 2 |
| 14 | 101923201 | Gasket | 2 |
| 15 | 101923501 | Seal, Lip | 1 |
| 16 | 101923701 | Shaft, Input | 1 |
| 17 | 101923901 | Gear, Differential | 2 |
| 18 | 101928701 | Liquid Gasket (Transaxle case) | A/R |
| 19 | 101972101 | Plug, M14-1.5 X 12mm Magnetic | 1 |
| 20 | 101972201 | Plug, M14-1.5 X 12mm Hex | 1 |
| 21 | 102356601 | Housing, Differential, 6 Bolt | 1 |
| 22 | 102356801 | Gear, Differential Output, 6-Bolt | 1 |
| 23 | 102357001 | Screw, Flg Hd M10 X 1.5 X 30 | 10 |
| 24 | 102886301 | Axle Assembly, Driver-Side (includes item 25) | 1 |
| 25 | 101922201 | Lug Stud | 4 |
| 26 | 102886401 | Tube, Axle, Driver-Side | 1 |
| 27 | 102886501 | Axle Assembly, Passenger-Side (includes item 28) | 1 |
| 28 | 101922201 | Lug Stud | 4 |
| 29 | 102886601 | Tube, Axle, Passenger-Side | 1 |
| 30 | 7330 | Inner Axle Tube Bearing | 2 |
| 31 | 7335 | Bearing | 3 |
| 32 | 7336 | Bearing | 1 |

14

E

14

E

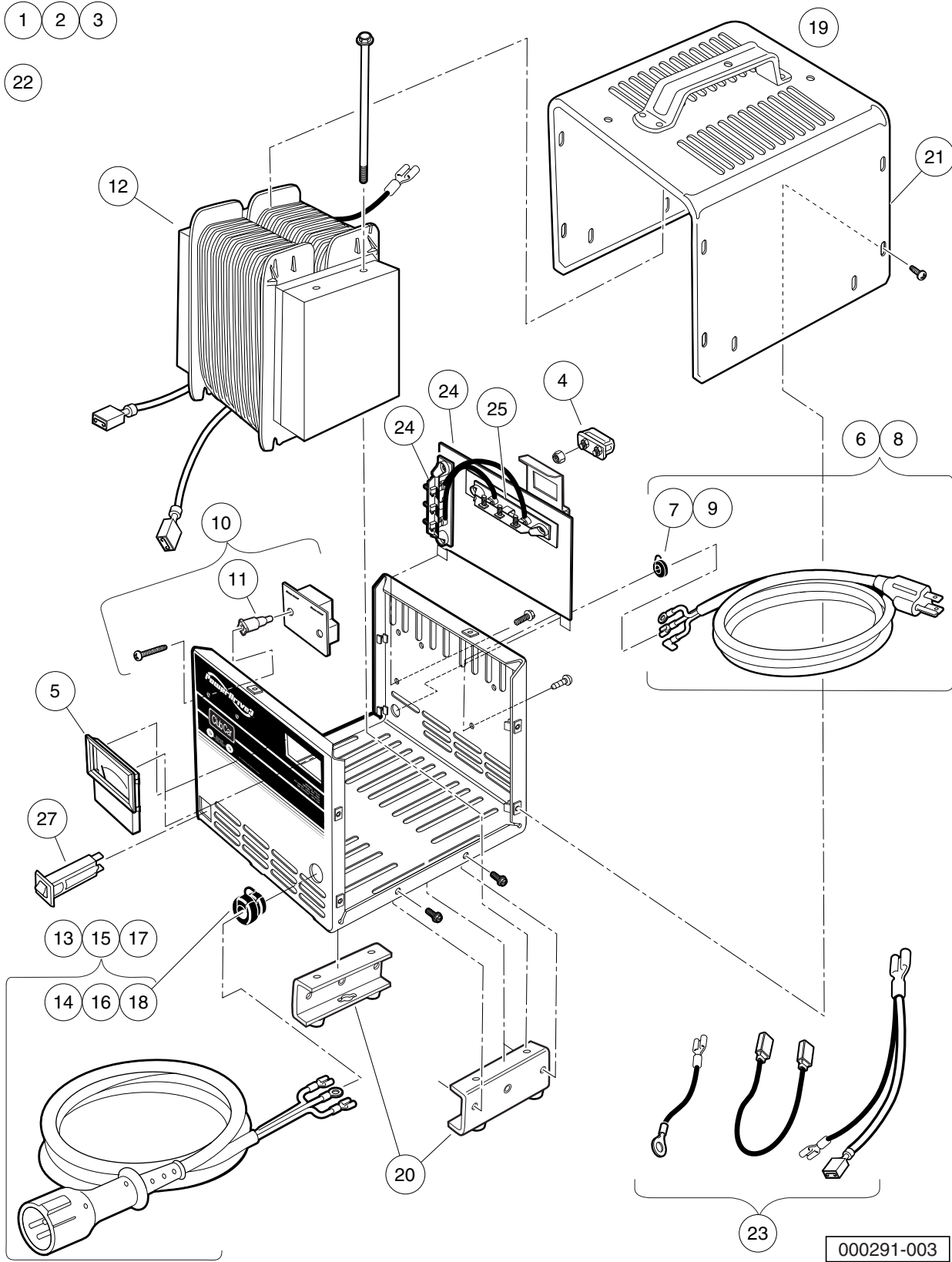
BATTERY CHARGER

15

E

- 1
- 2
- 3

- 22



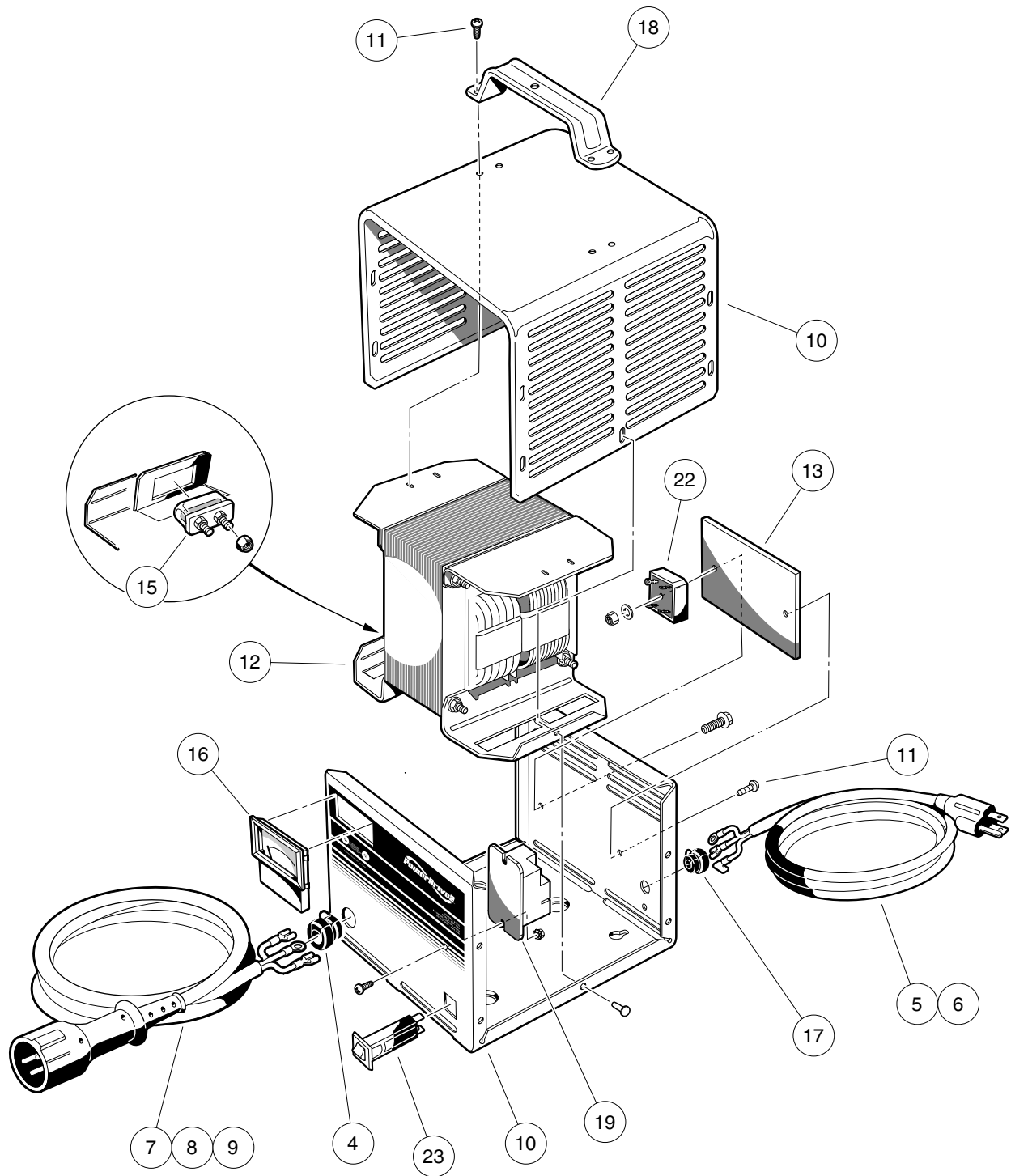
000291-003

POWERDRIVE 3 BATTERY CHARGER, DOMESTIC

| ITEM | PART NO. | DESCRIPTION | QTY |
|------|-----------|--|-----|
| | | 1 2 3 4 | |
| 1 | 103499101 | Chgr, Pd3 Stnry, 9Dc/6'Ac' | 1 |
| 2 | 103499102 | Chgr, Pd3 Stnry, 12Dc/9'Ac' | 1 |
| 3 | 103499103 | Chgr, Pd3 Stnry, 20Dc/9'Ac'(includes items 4 through 27) | 1 |
| 4 | 102273701 | PD2 Fuse Asm | 1 |
| 5 | 102273801 | PD2 Ammeter | 1 |
| 6 | 103428501 | Kit, PD3 Cordset - AC 80" (includes item 7) | 1 |
| 7 | 102273901 | PD2 AC Cord Bushing | 1 |
| 8 | 103428601 | Kit, PD3 Cordset, - AC 114" (includes item 9) | 1 |
| 9 | 102273901 | PD2 AC Cord Bushing | 1 |
| 10 | 103428701 | Asm, PD3 Board Relay (includes item 11) | 1 |
| 11 | 103429701 | PD3 Plastic Stand-Offs | 2 |
| 12 | 103428801 | PD3 Transformer | 1 |
| 13 | 103429001 | PD3 Cordset - DC 113" (includes item 14) | 1 |
| 14 | 1012098 | Bushing, DC Cord | 1 |
| 15 | 103429101 | PD3 Cordset - DC 154" (includes item 16) | 1 |
| 16 | 1012098 | Bushing, DC Cord | 1 |
| 17 | 103429201 | PD3 Cordset - DC 205" (includes item 18) | 1 |
| 18 | 1012098 | Bushing, DC Cord | 1 |
| 19 | 103429301 | Asm, PD3 Case (includes items 20 and 21) | 1 |
| 20 | 103434001 | Asm, PD3 Legs | 1 |
| 21 | 103439901 | PD3Case Top (Includes Handle) | 1 |
| 22 | 103429501 | Kit, PD3 Hardware | 1 |
| 23 | 103429601 | Kit, PD3 Wires | 1 |
| 24 | 103517401 | Kit Pd3 Button Diode (includes items 25 and 26) | 1 |
| 25 | 103512801 | Asm Diode Top | 1 |
| 26 | 103512901 | Asm Diode Side | 1 |
| 27 | CCX8506 | Circuit Breaker, 15-Amp/120-Volt | 1 |

15

E



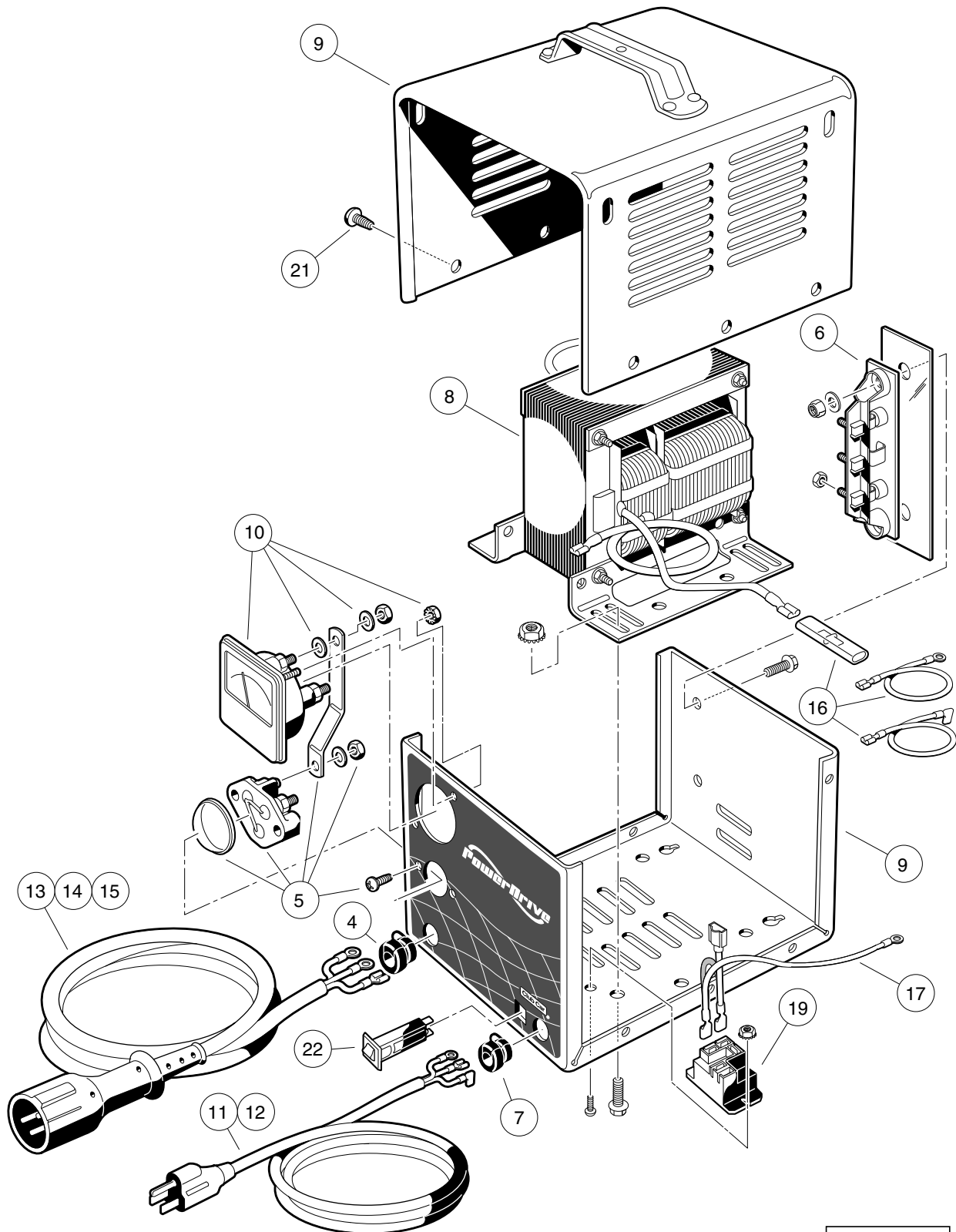
000291-001

POWERDRIVE 2 BATTERY CHARGER (MODEL 22110), DOMESTIC

| ITEM | PART NO. | DESCRIPTION | QTY |
|---|-----------|--|-----|
| | | 1 2 3 4 | |
| 1 | N/A | 48-V/13-A PowerDrive 2 (9-ft. DC, 6-ft. AC) | 1 |
| 2 | N/A | 48-V/13-A PowerDrive 2 (12-ft. DC, 9-ft. AC) | 1 |
| 3 | N/A | 48-V/13-A PowerDrive 2 (20-ft. DC, 9-ft. AC) (includes items 4 through 23) | 1 |
| 4 | 1012098 | Bushing, DC Cord | 1 |
| 5 | 101828801 | Cord, AC, 80-Inch (203 cm) | 1 |
| 6 | 101828802 | Cord, AC, 108-Inch (274 cm) | 1 |
| 7 | 101828904 | PD2 DC Cordset, 113-inch | 1 |
| 8 | 101828905 | PD2 DC Cordset, 154-inch | 1 |
| 9 | 101828906 | Pd2 Dc Cordset 250 Inch | 1 |
| 10 | 102273201 | PD2 Case (includes item 11) | 1 |
| 11 | 7577 | Screw, #10 X 0.50 Phillips Pan-Head | 12 |
| 12 | 102273301 | PD2 Transformer Asm | 1 |
| 13 | 102273401 | PD2 Heatsink | 1 |
| 14 | 102273601 | PD2 Wire Asm | 1 |
| 15 | 102273701 | PD2 Fuse Asm | 1 |
| 16 | 102273801 | PD2 Ammeter | 1 |
| 17 | 102273901 | PD2 AC Cord Bushing | 1 |
| 18 | 102274001 | PD2 Handle | 1 |
| 19 | 103414901 | Kit, Relay, 48v 30a W/instr (includes items 20 and 21) | 1 |
| 20 | 103397901 | Relay, Spst No, 48v 30a, Pmt | 1 |
| 21 | N/A | Kit, Relay, 48v 30a Instrns | 1 |
| 22 | 103517601 | Pd2 Rectifier Kit | 1 |
| 23 | CCX8506 | Circuit Breaker, 15-Amp/120-Volt | 1 |
| <p>Note: Item 16 not shown. Level 1 Battery Charger part numbers include one AC and one DC cord. They do not include all of the level 2 cords listed.</p> | | | |

15

E



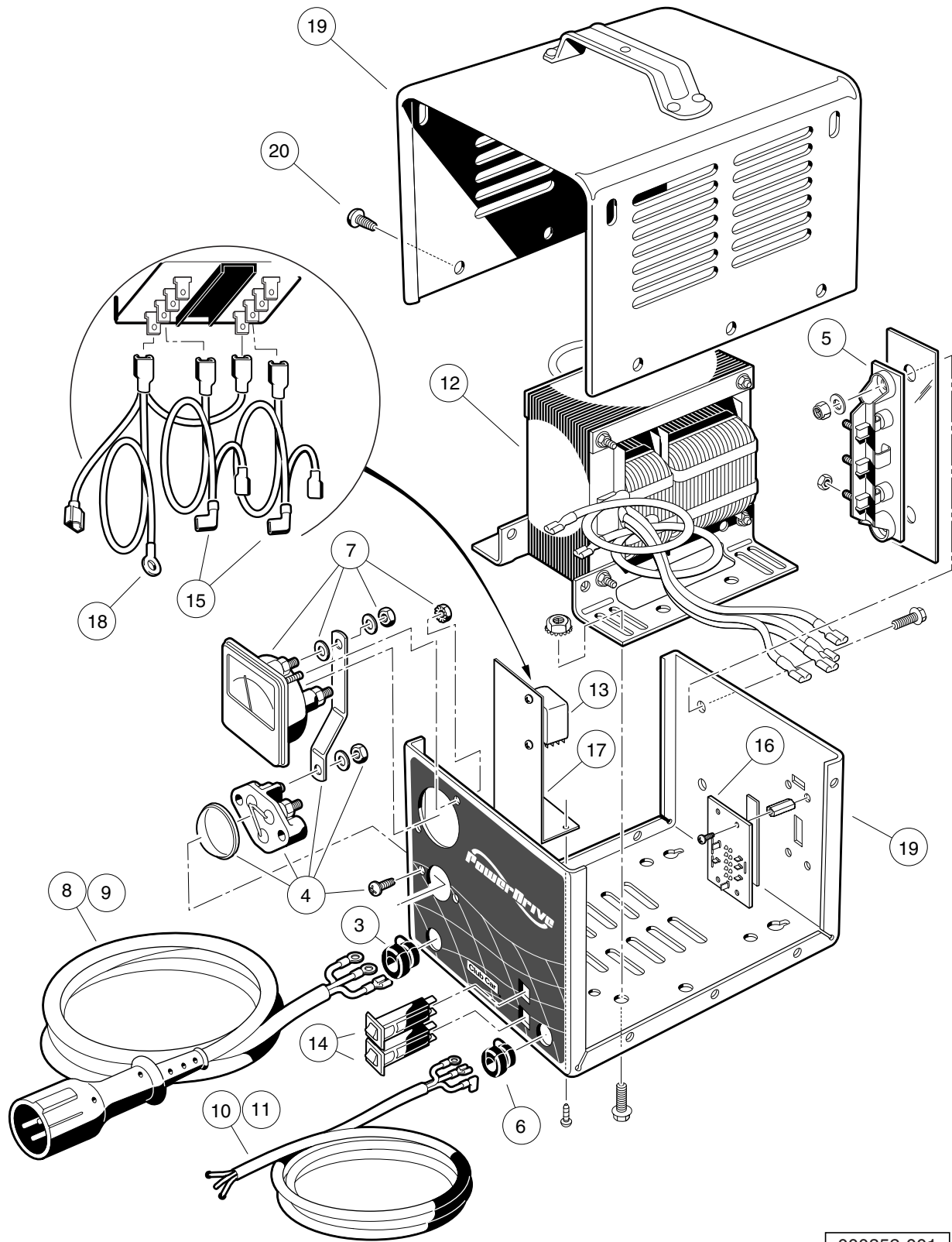
000351-001

POWERDRIVE BATTERY CHARGER (MODEL 17930), DOMESTIC

| ITEM | PART NO. | DESCRIPTION | QTY |
|------|-----------|--|-----|
| | | 1 2 3 4 | |
| 1 | 101802201 | 48V/17A PowerDrive (9-ft DC, 6-ft AC Cord) | 1 |
| 2 | 101802202 | 48V/17A PowerDrive (12-ft DC, 9-ft AC Cord) | 1 |
| 3 | 101802203 | 48V/17A PowerDrive (20-ft DC, 9-ft AC Cord) (includes items 4 through 22) | 1 |
| 4 | 1012098 | Bushing, DC Cord | 1 |
| 5 | 1012101 | Fuse Assembly | 1 |
| 6 | N/A | Rectifier with Heatsink Assembly | 1 |
| 7 | 1015917 | Bushing, AC Cord | 1 |
| 8 | **** | Transformer, Battery Charger | 1 |
| 9 | 101828301 | Case Assembly | 1 |
| 10 | 101828501 | Ammeter | 1 |
| 11 | 101828801 | Cord, AC, 80-Inch (203 cm) | 1 |
| 12 | 101828802 | Cord, AC, 108-Inch (274 cm) | 1 |
| 13 | 101828901 | Cord, DC, 113-Inch (287 cm) | 1 |
| 14 | 101828902 | Cord, DC, 154-Inch (391 cm) | 1 |
| 15 | 101828903 | Cord, DC, 250-Inch (635 cm) | 1 |
| 16 | 101831101 | Wire Assembly Kit | 1 |
| 17 | 101914401 | Assembly, Voltage Suppressor | 1 |
| 18 | 103414901 | Kit, Relay, 48v 30a W/instr (includes items 19 and 20) | 1 |
| 19 | 103397901 | Relay, Spst No, 48v 30a, Pmt | 1 |
| 20 | N/A | Kit, Relay, 48v 30a Instrns | 1 |
| 21 | 7577 | Screw, #10 X 0.50 Phillips Pan-Head | 10 |
| 22 | CCX8506 | Circuit Breaker, 15-Amp/120-Volt | 1 |
| | | **** Special order item available upon request. | |
| | | Note: Level 1 Battery Charger part numbers include one AC and one DC cord. They do not include all of the level 2 cords listed. | |

15

E



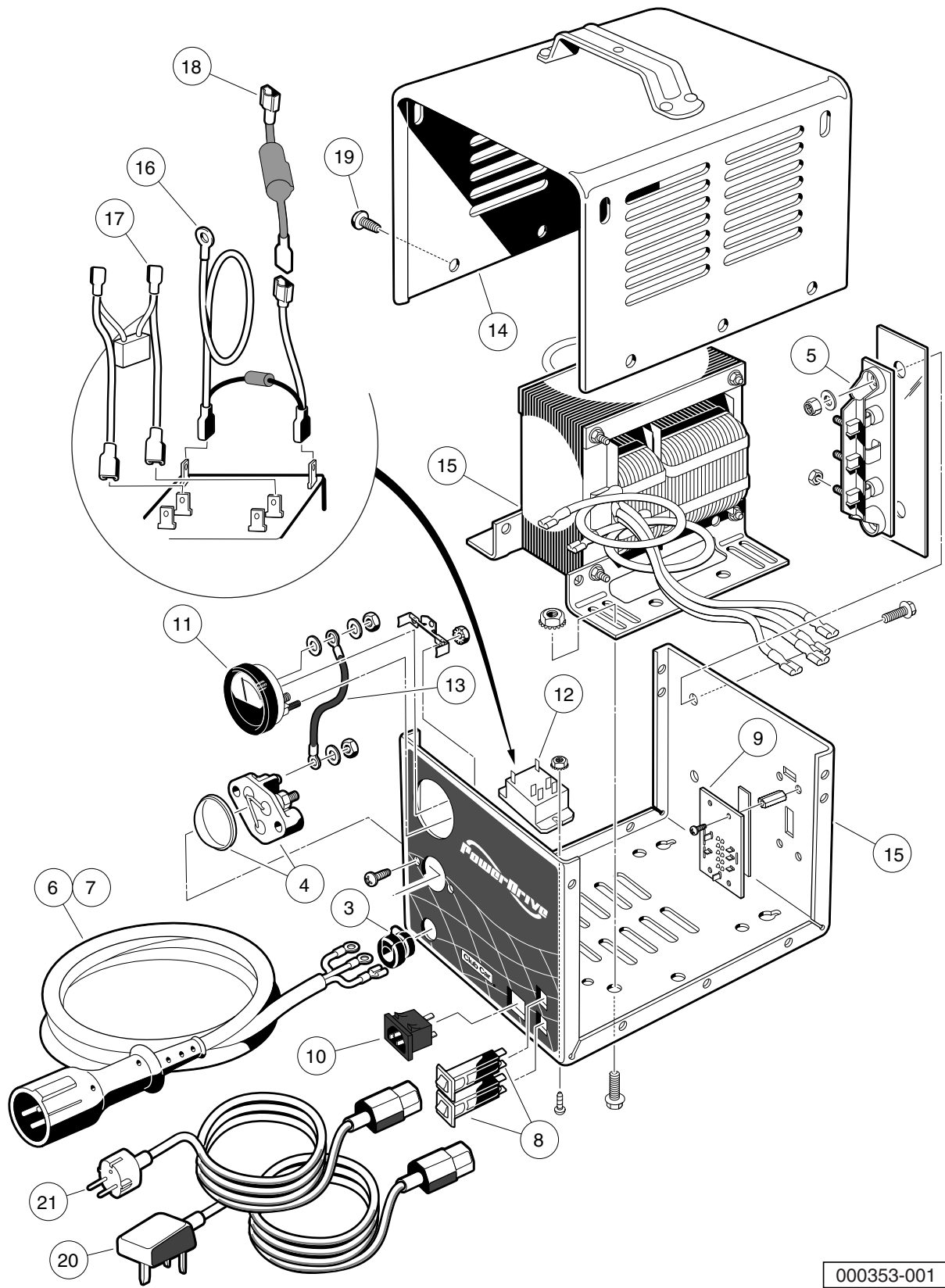
000352-001

POWERDRIVE BATTERY CHARGER (MODEL 18780), EXPORT

| ITEM | PART NO. | DESCRIPTION | QTY |
|---|-----------|---|-----|
| | | 1 2 3 4 | |
| 1 | N/A | Battery Charger, 48-Volt DC (8.5-ft DC, 6-ft AC) | 1 |
| 2 | N/A | Battery Charger, 48-Volt DC (12-ft DC, 9-ft AC) (includes items 3 through 20) | 1 |
| 3 | 1012098 | Bushing, DC Cord | 1 |
| 4 | 1012101 | Fuse Assembly | 1 |
| 5 | N/A | Rectifier with Heatsink Assembly | 1 |
| 6 | 1015917 | Bushing, AC Cord | 1 |
| 7 | 101828501 | Ammeter | 1 |
| 8 | 101828901 | Cord, DC, 113-Inch (287 cm) | 1 |
| 9 | 101828902 | Cord, DC, 154-Inch (391 cm) | 1 |
| 10 | 101831701 | Cord, AC, 80-Inch (203 cm), without Plug | 1 |
| 11 | **** | Cord, AC, 118-Inch (203 cm), without Plug | 1 |
| 12 | 101838201 | Transformer, Export Battery Charger | 1 |
| 13 | 101838301 | Relay, Export Charger | 1 |
| 14 | 101838401 | Circuit Breaker | 2 |
| 15 | 101838501 | Kit, Wire Assembly | 1 |
| 16 | 101838601 | Four-Position Switch | 1 |
| 17 | **** | Mounting Bracket, Relay | 1 |
| 18 | 101914401 | Assembly, Voltage Suppressor | 1 |
| 19 | N/A | Case, Charger | 1 |
| 20 | 7577 | Screw, #10 X 0.50 Phillips Pan-Head | 10 |
| <p>**** Special order item available upon request.</p> <p>Note: Level 1 Battery Charger part numbers include one AC and one DC cord. They do not include all of the level 2 cords listed.</p> | | | |

15

E



000353-001

POWERDRIVE BATTERY CHARGER (MODEL 20310), EUROPEAN

15

E

| ITEM | PART NO. | DESCRIPTION | QTY |
|------|-----------|--|-----|
| | | 1 2 3 4 | |
| 1 | N/A | Battery Charger, 48-Volt w/ 4-Position Switch (8.5-ft DC) | 1 |
| 2 | N/A | Battery Charger, 48-Volt w/ 4-Pos. Switch (12-ft DC) (includes items 3 through 19) | 1 |
| 3 | 1012098 | Bushing, DC Cord | 1 |
| 4 | 1012101 | Fuse Assembly | 1 |
| 5 | N/A | Rectifier with Heatsink Assembly | 1 |
| 6 | 101828901 | Cord, DC, 113-Inch (287 cm) | 1 |
| 7 | 101828902 | Cord, DC, 154-Inch (391 cm) | 1 |
| 8 | 101838401 | Circuit Breaker | 2 |
| 9 | 101838601 | Four-Position Switch | 1 |
| 10 | 101973501 | Receptacle, AC Cord | 1 |
| 11 | 101976601 | Ammeter with Mounting Bracket | 1 |
| 12 | 101987501 | Relay | 1 |
| 13 | N/A | Wire, Jumper | 1 |
| 14 | N/A | Case, Charger | 1 |
| 15 | **** | Transformer, European Battery Charger | 1 |
| 16 | **** | Suppressor, AC Voltage | 1 |
| 17 | **** | Assembly, Wire | 1 |
| 18 | **** | Limiter, Current | 1 |
| 19 | 7577 | Screw, #10 X 0.50 Phillips Pan-Head | 10 |
| 20 | 101958201 | Cord, UK, AC, Battery Charger | 1 |
| 21 | 101958301 | Cord, European AC, Battery Charger | 1 |
| | | **** Special order item available upon request. | |
| | | Note: Level 1 Battery Charger part numbers include one AC and one DC cord. They do not include all of the level 2 cords listed. | |

15

E

MAINTENANCE AND SERVICE TOOLS

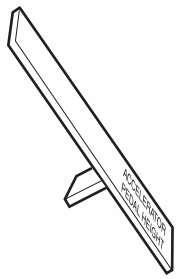
16

G

E

D

16
G
E
D



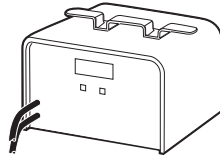
1



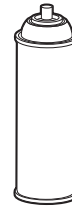
2



3



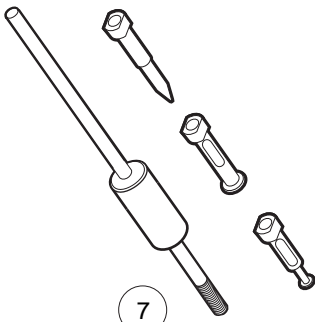
4



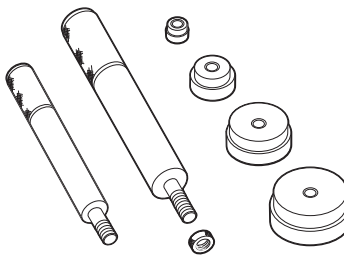
5



6



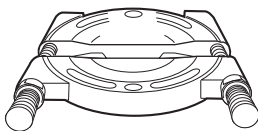
7



8



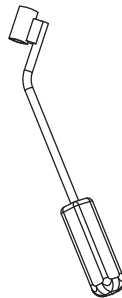
9



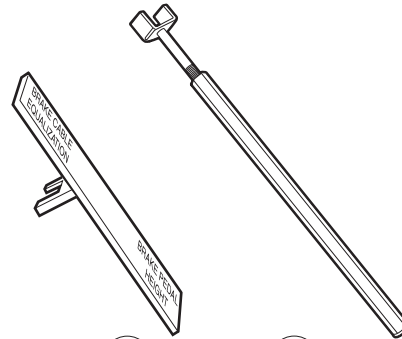
10



11



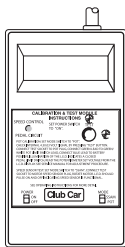
12



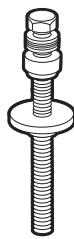
14

15

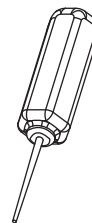
13



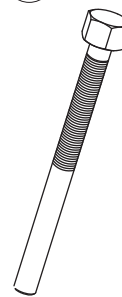
16



17



18



19

MAINTENANCE AND SERVICE TOOLS

| ITEM | PART NO. | DESCRIPTION | QTY DIESEL | QTY GAS | QTY ELEC |
|------|-----------|---|---------------|------------|-------------|
| | | <p style="text-align: center;">1 2 3 4</p> <p>The following tool list includes all tools available from Club Car for maintenance and service procedures for gasoline, electric, and/or diesel vehicles, both past and present models. Be sure to carefully examine the tool list for applicability to your vehicle before ordering.</p> | | | |
| 1 | 101871001 | Accelerator Pedal Adjustment Tool | | 1 | 1 |
| 2 | 101813202 | Adhesive, Guide Ring, 3-Gram Tube | | | 1 |
| 3 | 101641202 | Arbor | | 1 | |
| 4 | 101831901 | Battery Discharge Machine, 36/48 Volt | | | 1 |
| 5 | 1014305 | Battery Terminal Protector Spray | 1 | 1 | 1 |
| 6 | 1011767 | Battery Thermometer | 1 | 1 | 1 |
| 7 | 1016417 | Bearing and Oil Seal Remover Assembly | 1 | 1 | 1 |
| 8 | 1016416 | Bearing Driver Set | 1 | 1 | 1 |
| 9 | 1012811 | Bearing Puller | 1 | 1 | 1 |
| 10 | 1012812 | Bearing Puller Wedge Attachment | 1 | 1 | 1 |
| 11 | 1013582 | Brake Adjustment Tool (used only on vehicles with manually adjusted mechanical brakes) | | 1 | 1 |
| 12 | 102555501 | Brake Cable Release Tool | 1 | 1 | 1 |
| 13 | 102249901 | Brake Pedal Adjustment Tool Kit (used for the Carryall Electric Industrial Truck only) (includes items 14 and 15)..... | | | 1 |
| 14 | **** | Brake Pedal Adjustment Tool | | | 1 |
| 15 | **** | Brake Pedal Tension Tool | | | 1 |
| 16 | 101887101 | Calibration Test Module | | | 1 |
| 17 | 101808401 | Cam Installation Tool | | 1 | |
| 18 | 102562401 | Charger Bezel Tool | | | 1 |
| 19 | 102686101 | Clutch Removal Tool (for 4x4 vehicles) | 1 | 1 | |
| | | <p>Please refer to the maintenance and service manual for proper tool application.</p> <p>**** Special order item available upon request</p> | | | |

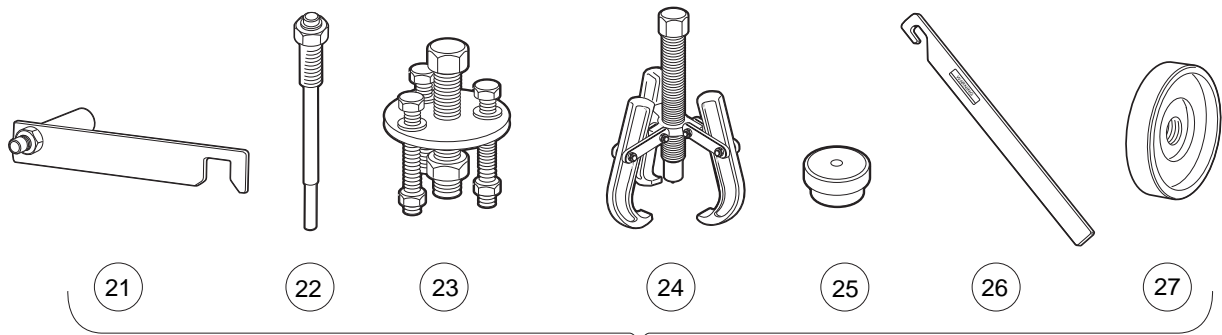
16

G

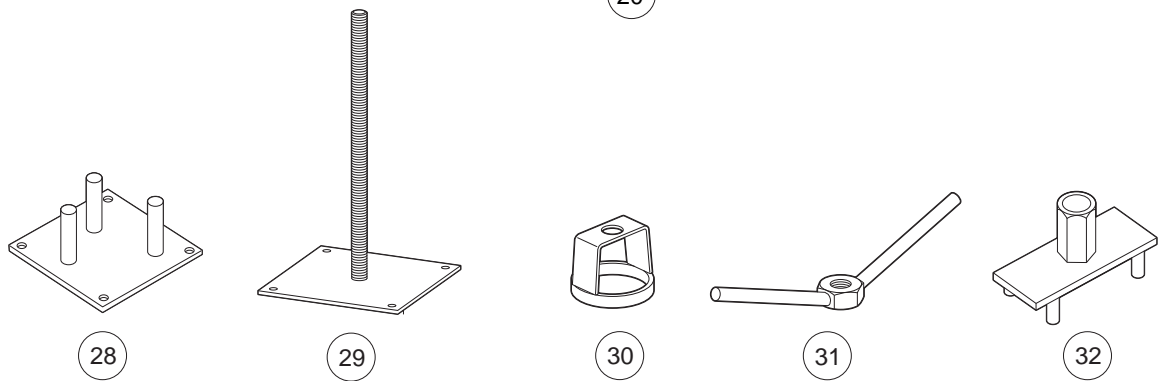
E

D

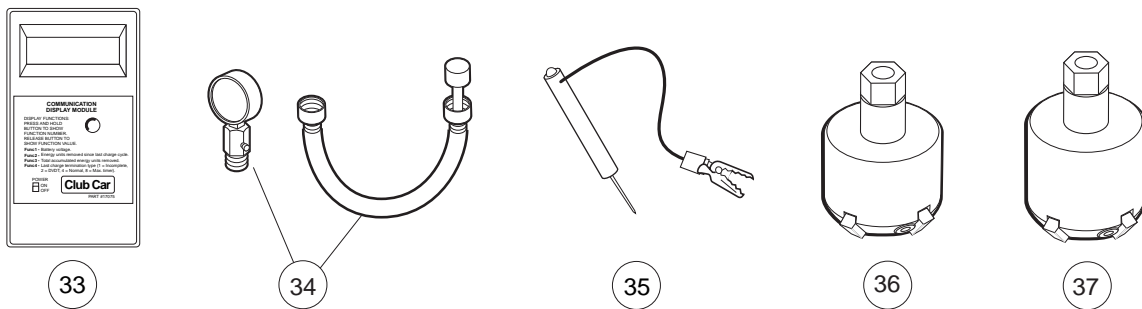
16
G
E
D



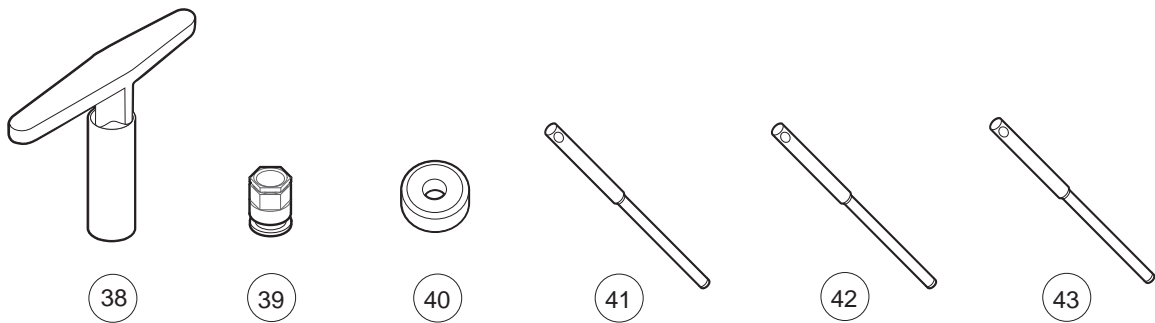
(21) (22) (23) (24) (25) (26) (27)
20



(28) (29) (30) (31) (32)



(33) (34) (35) (36) (37)

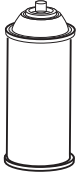


(38) (39) (40) (41) (42) (43)

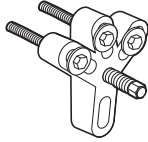
MAINTENANCE AND SERVICE TOOLS, CONTINUED

| ITEM | PART NO. | DESCRIPTION | QTY | QTY | QTY | 16 |
|------|-----------|--|--------|-----|------|----|
| | | | DIESEL | GAS | ELEC | |
| | | 1 2 3 4 | | | | G |
| 20 | 1014510 | Clutch Tool Kit (includes items 21 - 27) | | 1 | | E |
| 21 | 1014498 | Clutch Alignment Tool (for pre-unitized transaxle vehicles built prior to 1997 model year) | | 1 | | D |
| 22 | 1014496 | Drive Clutch Puller (for Kawasaki engines only) | | 1 | | |
| 23 | 1014497 | Drive Clutch Hub Puller (for Kawasaki engines only) | | 1 | | |
| 24 | 1014508 | Driven Clutch Cam Puller (for Kawasaki engines only) | | 1 | | |
| 25 | 1014507 | Driven Clutch Puller Plug (for Kawasaki engines only) | | 1 | | |
| 26 | 1015524 | Drive Clutch Holder Tool Assembly (for Kawasaki engines only) | | 1 | | |
| 27 | 101809101 | Press Weldment (for Kawasaki engines only) | | 1 | | |
| 28 | 102601501 | Drive ClutchFixed Sheave Tool (for 4x4 vehicles) | 1 | 1 | | |
| 29 | 102603501 | Driven Clutch Spring Compression Base (for use with items 30 and 31) (for 4x4 vehicles) | 1 | 1 | | |
| 30 | 102605201 | Driven Clutch Spring Compression Collar (for use with items 29 and 31) (for 4x4 vehicles) | 1 | 1 | | |
| 31 | 102606101 | Driven Clutch Spring Compression Nut (for use with items 29 and 30) (for 4x4 vehicles) | 1 | 1 | | |
| 32 | 102607501 | Drive Clutch Spider Removal Tool (for 4x4 vehicles) | 1 | 1 | | |
| 33 | 101831801 | Communication Display Module | | | 1 | |
| 34 | 101641002 | Compression Gauge and Adapter | | 1 | | |
| 35 | 1011273 | Continuity Tester | | 1 | 1 | |
| 36 | 102773801 | Cutter, Valve Seat, #122 | | 1 | | |
| 37 | 102773901 | Cutter, Valve Seat #115 | | 1 | | |
| 38 | 102774101 | Wrench, T, #505..... | | 1 | | |
| 39 | 102774101 | Adapter, T-Wrench..... | | 1 | | |
| 40 | 102675401 | Cutter, Valve Seat, 60 Degree (requires item 51) (for Honda GX620 Gasoline Engines) | | 1 | | |
| 41 | 102774201 | Pilot, 6.6 MM | | 1 | | |
| 42 | 102774301 | Pilot, 6.62 MM..... | | 1 | | |
| 43 | 102774401 | Pilot, 6.65 MM..... | | 1 | | |
| | | Please refer to the maintenance and service manual for proper tool application. | | | | |

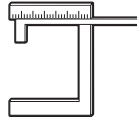
16
G
E
D



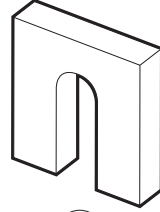
44



45



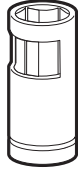
46



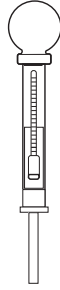
47



48



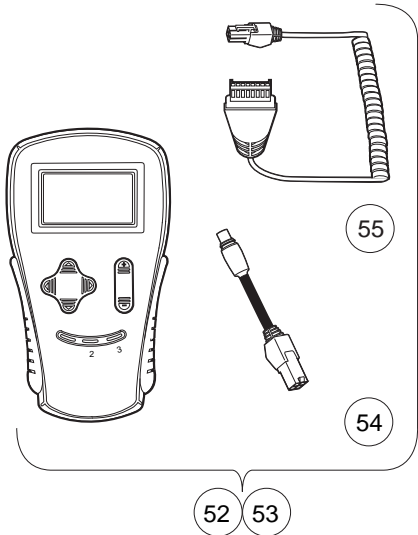
49



50



51

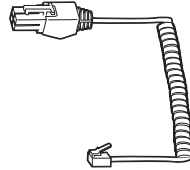


55

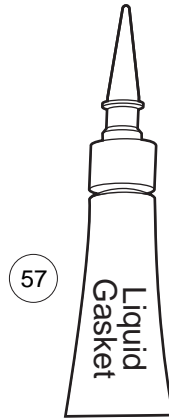
54

52

53



56



57



58



59 60



61

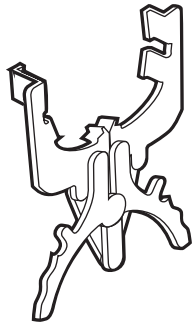
MAINTENANCE AND SERVICE TOOLS, CONTINUED

| ITEM | PART NO. | DESCRIPTION | QTY DIESEL | QTY GAS | QTY ELEC | 16 |
|------|-----------|--|---------------|------------|-------------|-----------|
| | | 1 2 3 4 | | | | G |
| 44 | 1012151 | Dry Moly Lubricant | 1 | 1 | 1 | E |
| 45 | 1016627 | Flywheel Puller Kit (for Kawasaki Engines) | | 1 | | D |
| 46 | 102669901 | Gauge, Carburetor Float Level (for Honda GX620 Gasoline Engines) | | 1 | | |
| 47 | 1016418 | Gear Yoke | 1 | 1 | 1 | |
| 48 | 101933101 | Governor Shaft Installation Tool (for Kawasaki Engine Vehicles) | | 1 | | |
| 49 | 102169401 | Hydraulic Brake Adjuster (for Turf/CA 272/472, Pioneer/XRT 1200, Bobcat 2100, HUV 4213) | | | 1 | |
| 50 | 1011478 | Hydrometer | 1 | 1 | 1 | |
| 51 | 1013593 | Internal Retaining Ring Pliers | 1 | 1 | 1 | |
| 52 | 102248803 | IQ Display Module (IQDM) Kit (IQ System and IQ Plus vehicles) | | | 1 | |
| | | (includes items 54 and 55) | | | | |
| 53 | 102248804 | IQ Display Module (IQDM-P) Kit (IQ System and IQ Plus vehicles) | | | 1 | |
| | | (includes items 54 and 55) | | | | |
| 54 | 102251501 | Adaptor, Cable | | | 1 | |
| 55 | 102241502 | IQDM Series 2 Cable | | | 1 | |
| 56 | 102241501 | IQDM Series 1 Cable (replacement) | | | 1 | |
| 57 | 101928701 | Liquid Gasket (transaxle case) | 1 | 1 | 1 | |
| 58 | 102243402 | Moly-Teflon Lubricant (4-oz. (113-gram) tube) | | | 1 | |
| 59 | 101997201 | Paint, Touch-Up – Beige* | | 1 | 1 | |
| 59 | 101997207 | Paint, Touch-Up – Black* | | 1 | 1 | |
| 59 | 101997212 | Paint, Touch-Up – Burgundy* | | 1 | 1 | |
| 59 | 101997211 | Paint, Touch-Up – Classic Blue (Navy)* | | 1 | 1 | |
| 59 | 101997205 | Paint, Touch-Up – Dark Gray* | 1 | 1 | 1 | |
| 59 | 101997209 | Paint, Touch-Up – Dark Green* | 1 | 1 | 1 | |
| 59 | 101997204 | Paint, Touch-Up – Gray* | 1 | 1 | 1 | |
| 59 | 101997203 | Paint, Touch-Up – Red* | 1 | 1 | 1 | |
| 59 | 101997206 | Paint, Touch-Up – Royal Blue (Pacific Blue)* | | 1 | 1 | |
| 59 | 101997202 | Paint, Touch-Up – White* | 1 | 1 | 1 | |
| 60 | 102562301 | Paint, Precedent Underbody – Gray | | 1 | 1 | |
| 61 | 102587201 | Paint Pen, Touch-Up, Precedent Underbody – Black | | 1 | 1 | |
| | | Please refer to the maintenance and service manual for proper tool application. | | | | |
| | | * Item 59 is not for use on Surlyn [®] body material, which is used on Precedent vehicles. | | | | |

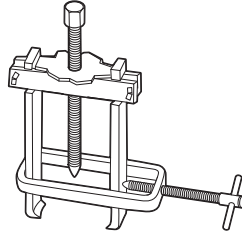
16
G
E
D



62



63



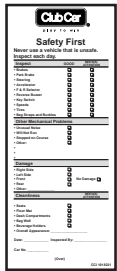
64



65



66



67



68



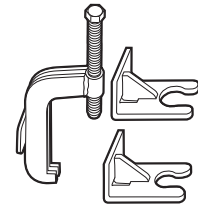
69



70



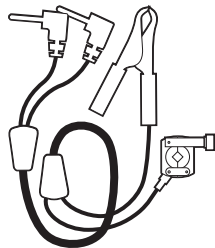
71



72



73



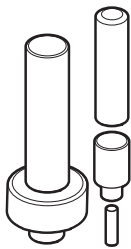
74



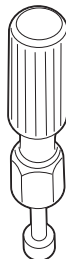
75



76



77



83



84



85



86

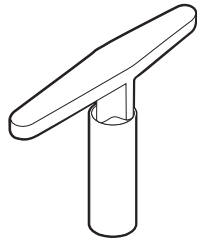
MAINTENANCE AND SERVICE TOOLS, CONTINUED

| ITEM | PART NO. | DESCRIPTION | QTY DIESEL | QTY GAS | QTY ELEC | 16 |
|------|-----------|---|---------------|------------|-------------|-----------|
| | | 1 2 3 4 | | | | G |
| 62 | 1016414 | Piston Ring Compressor Kit (FE290, FE350 and FE400 engines) | | 1 | | E |
| 63 | 1016415 | Piston Ring Pliers (for Kawasaki Engines) | | 1 | | D |
| 64 | 102668801 | Puller, Special Use (for Kubota D722 Diesel Engines) | 1 | | | |
| 65 | 1012549 | Retaining Ring Pliers, 45° External | 1 | 1 | 1 | |
| 66 | 1012560 | Retaining Ring Pliers, 90° Internal | 1 | 1 | 1 | |
| 67 | 101823101 | Safety First Card (50 per pack) | 1 | 1 | 1 | |
| 68 | 1012809 | Seal Puller | 1 | 1 | 1 | |
| 69 | 102330901 | Spanner Wrench (for coil over shock front suspension vehicles only) | 1 | 1 | | |
| 70 | 1014264 | Steering Column Bearing Press Tool | | 1 | 1 | |
| 71 | 1014259 | Steering Column Retaining Ring Tool | | 1 | 1 | |
| 72 | 102061201 | Steering Wheel Puller Tool | 1 | 1 | 1 | |
| 73 | AM10753 | Tachometer (includes gasoline engine pick up lead only) | 1 | 1 | | |
| 74 | AM10771 | Tachometer Diesel Probe (for use with item 73) | 1 | | | |
| 75 | 1014162 | Transaxle Axle Seal Tool | | 1 | | |
| 76 | 1014161 | Transaxle Pinion Seal Tool | | 1 | | |
| 77 | 1014115 | Transmission Tool Kit | | 1 | | |
| 78 | 101611003 | Tune-Up Kit, All OHV (for FE290, FE350, FE400 only) (includes air filter, spark plug, oil filter, fuel filters) (not shown) | | 1 | | |
| 79 | AM11804 | Tune-Up Kit, Gx620 (for Honda Engines) (includes air filter, spark plug, oil filter, fuel filters) (not shown) | | 1 | | |
| 80 | AM11805 | Tune-Up Kit, D722 (for Kubota Engines) (includes air filter, oil filter, fuel filters, water separator filter) (not shown) | 1 | | | |
| 81 | AM1220301 | Tune-Up Kit, Precedent (for FE290/350 Engines) (includes air filter, spark plug, oil filter, fuel filters) (not shown) | | 1 | | |
| 82 | AM1232401 | Tune-Up Kit, FH680D (for Kawasaki V-Twin Engines) (includes oil filter, fuel filter, air filter, and spark plugs) (not shown) | | 1 | | |
| 83 | 1016413 | Valve Clearance Adjuster Screw Holder (for FE290 engines only) | | 1 | | |
| 84 | 102674601 | Valve Guide Driver (for Honda GX620 Gasoline Engines) | | 1 | | |
| 85 | 101641201 | Valve Guide Reamer (FE290, FE350, and FE400 only) | | 1 | | |
| 86 | 102674401 | Valve Guide Reamer, 6.6 mm (for Honda GX620 Gasoline Engines) | | 1 | | |

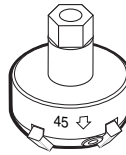
16
G
E
D



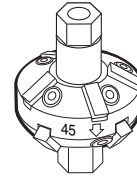
87



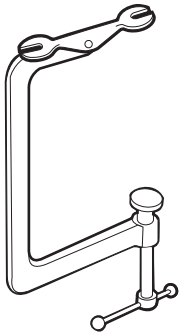
88



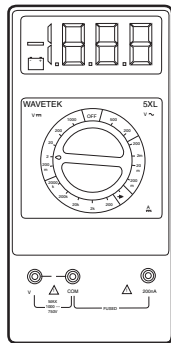
89



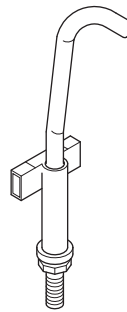
90



91



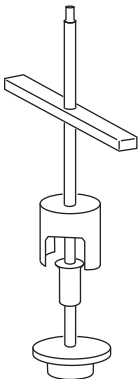
92



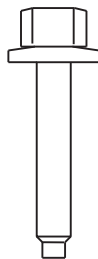
93



94



95



96

MAINTENANCE AND SERVICE TOOLS, CONTINUED

| ITEM | PART NO. | DESCRIPTION | QTY DIESEL | QTY GAS | QTY ELEC | 16 |
|------|-----------|--|---------------|------------|-------------|-----------|
| | | 1 2 3 4 | | | | G |
| 87 | 1016552 | Valve Seat Cutter Guide | | 1 | | E |
| 88 | 1016551 | Valve Seat Cutter T-Wrench | | 1 | | D |
| 89 | 1016553 | Valve Seat Cutter, 45° (32 mm diameter) (for FE290 engines only) | | 1 | | |
| 90 | 1016554 | Valve Seat Cutter, 45°/30° (35 mm diameter) | | 1 | | |
| 91 | 101641101 | Valve Spring Compressor | | 1 | | |
| 92 | 1011480 | Volt Ohm Meter | 1 | 1 | 1 | |
| 93 | 102570401 | Tool, Tensioning, Starter Generator (For Precedent vehicles) | | 1 | | |
| 94 | 103601401 | Puller, Drive Clutch, XRT 950* | | 1 | | |
| 95 | 103601701 | Tool, Disassembly, Driven Clutch, XRT 950 | | 1 | | |
| 96 | 103600501 | Screw, Driven Clutch Disassembly, M6, XRT 950 | | 1 | | |
| | | <p>*Note: The XRT 950 Drive Clutch Puller requires the use of Screw, Driven Clutch Disassembly, CCI Part Number 103600501.</p> | | | | |

INDEX

Part Number and Page

| | | | | | |
|-----------|--|-----------|-------------------|---------|------------------------|
| AM10753 | 16-9 | 1012101 | 15-7, 15-9, 15-11 | 1013787 | 11-7 |
| AM10771 | 16-9 | 1012151 | 16-7 | 1013792 | 11-7 |
| AM10079 | 6-3, 12-3 | 1012180 | 5-17, 5-19 | 1013794 | 11-7, 14-3 |
| AM10080 | 11-5 | 1012181 | 5-17, 5-19, 5-21 | 1013924 | 4-3, 7-15 |
| AM10081 | 11-5 | 1012182 | 5-17, 5-19, 5-21 | 1014007 | 11-3 |
| AM10419 | 10-7 | 1012285 | 8-9 | 1014049 | 10-3 |
| AM10724 | 7-5 | 1012295 | 6-5 | 1014050 | 10-3 |
| AM1229401 | 5-3 | 1012328 | 6-5 | 1014051 | 10-3 |
| CCX8506 | 15-3, 15-5, 15-7 | 1012431 | 11-9 | 1014052 | 10-3 |
| 183 | 10-3, 11-3 | 1012505 | 6-3, 12-3 | 1014055 | 10-3 |
| 332 | 9-3 | 1012528 | 9-3, 12-15 | 1014056 | 10-3 |
| 334 | 7-15 | 1012549 | 16-9 | 1014057 | 10-3 |
| 451 | 9-3, 13-3, 13-5, 13-7, 13-9 | 1012560 | 16-9 | 1014058 | 10-3 |
| 705 | 7-15 | 1012565 | 5-3, 5-5 | 1014059 | 10-3 |
| 706 | 5-15 | 1012566 | 5-3, 5-5 | 1014062 | 10-3 |
| 808 | 10-3, 12-13 | 1012571 | 1-19, 7-15 | 1014063 | 10-3 |
| 1241 | 6-17, 9-3, 13-3, 13-5 | 1012594 | 11-9 | 1014065 | 10-3, 11-9 |
| 1242 | 4-7, 4-9, 6-5, 6-17 | 1012649 | 8-3 | 1014070 | 10-7 |
| 1624 | 6-17 | 1012711 | 11-3 | 1014072 | 10-7 |
| 7174 | 6-17, 8-9, 9-3, 13-3, 13-5, 13-7, 13-9 | 1012714 | 11-5 | 1014078 | 10-7 |
| 7310 | 2-3, 2-5 | 1012740 | 11-5 | 1014080 | 10-7 |
| 7330 | 11-7, 14-3 | 1012741 | 11-5 | 1014089 | 11-9 |
| 7335 | 11-5, 14-3 | 1012747 | 11-5 | 1014115 | 16-9 |
| 7336 | 14-3 | 1012748 | 11-5 | 1014145 | 11-9 |
| 7577 | 15-5, 15-7, 15-9, 15-11 | 1012752 | 11-3 | 1014153 | 4-3 |
| 7847 | 9-3 | 1012809 | 16-9 | 1014161 | 16-9 |
| 7893 | 6-5 | 1012811 | 16-3 | 1014162 | 16-9 |
| 8057 | 11-9 | 1012812 | 16-3 | 1014201 | 13-3, 13-5, 13-7, 13-9 |
| 8058 | 11-9 | 1012830 | 6-17, 8-9, 9-3 | 1014207 | 11-7 |
| 8233 | 11-3 | 1012836 | 10-7 | 1014259 | 16-9 |
| 8450 | 10-3 | 1012896 | 11-3 | 1014264 | 16-9 |
| 8717 | 11-3, 11-9 | 1012987 | 11-9 | 1014287 | 10-3 |
| 8745 | 5-15 | 1013001 | 6-15 | 1014288 | 10-3 |
| 8754 | 6-17, 12-13 | 1013003 | 6-15 | 1014289 | 6-15 |
| 1010145 | 5-17, 5-19, 5-21 | 1013005 | 6-15 | 1014304 | 12-13 |
| 1010434 | 1-7, 1-9, 1-17, 1-29, 1-31, 1-33, 1-35, 1-37, 4-7, 4-9 | 101301102 | 6-15 | 1014305 | 16-3 |
| 1010577 | 7-15 | 1013061 | 11-3 | 1014375 | 6-5 |
| 1010829 | 4-5 | 1013357 | 12-13 | 1014413 | 1-11, 8-11 |
| 1010850 | 4-3 | 1013582 | 16-3 | 1014453 | 10-3 |
| 1010934 | 13-3, 13-5, 13-7, 13-9 | 1013589 | 11-9 | 1014454 | 10-7 |
| 1010954 | 11-9 | 1013590 | 11-9 | 1014496 | 16-5 |
| 1010984 | 2-3 | 1013591 | 11-9 | 1014497 | 16-5 |
| 1011273 | 16-5 | 1013593 | 16-7 | 1014498 | 16-5 |
| 1011280 | 13-3, 13-5 | 1013609 | 6-5 | 1014507 | 16-5 |
| 1011291 | 11-7 | 1013687 | 8-3 | 1014508 | 16-5 |
| 1011411 | 13-3, 13-5 | 1013700 | 8-9 | 1014510 | 16-5 |
| 1011415 | 5-17, 5-19, 5-21 | 1013734 | 9-3, 12-15 | 1014523 | 8-3 |
| 1011466 | 4-3 | 1013746 | 8-3, 8-7 | 1014524 | 8-3 |
| 1011478 | 16-7 | 1013760 | 11-3 | 1014555 | 5-17, 5-19, 5-21 |
| 1011480 | 16-11 | 1013768 | 11-7 | 1014727 | 11-9 |
| 1011697 | 5-3, 7-15, 8-7, 8-9 | 1013769 | 11-7 | 1014807 | 11-9 |
| 1011767 | 16-3 | 1013770 | 11-7 | 1014902 | 1-33, 1-35, 1-37, 5-21 |
| 1012030 | 5-15 | 1013771 | 11-7 | 1015064 | 11-9 |
| 1012098 | 15-3, 15-5, 15-7, 15-9, 15-11 | 1013772 | 11-7 | 1015137 | 8-3, 8-7 |
| | | 1013773 | 11-7 | 1015139 | 8-3 |
| | | 1013774 | 11-7 | 1015143 | 8-3 |

INDEX

| | | | | | |
|-----------|------------|-----------|----------------|-----------|------------------------|
| 101524002 | 6-17 | 1016473 | 7-7 | 1016586 | 7-5 |
| 1015332 | 7-3 | 1016474 | 7-9 | 1016587 | 7-5 |
| 1015524 | 16-5 | 1016479 | 7-9 | 1016588 | 7-5 |
| 1015649 | 7-3 | 1016480 | 8-7 | 1016627 | 16-7 |
| 1015814 | 9-3 | 101648102 | 8-7 | 1016630 | 6-3 |
| 101584502 | 8-9 | 101648203 | 7-7 | 1016663 | 5-5 |
| 1015917 | 15-7, 15-9 | 1016483 | 7-9 | 1016672 | 11-7 |
| 1015932 | 6-17 | 1016486 | 8-5 | 1016801 | 10-3 |
| 1015969 | 7-3 | 1016489 | 7-9 | 1016849 | 6-3, 12-3 |
| 1016074 | 6-17 | 101649002 | 8-7 | 1016851 | 6-3, 12-3 |
| 1016103 | 8-7 | 1016494 | 7-11 | 1016883 | 6-17 |
| 101611003 | 16-9 | 1016496 | 7-11 | 1016904 | 7-9, 9-3 |
| 1016154 | 5-3, 5-5 | 1016497 | 7-5 | 101705701 | 1-33, 1-35, 1-37, 3-7 |
| 101615602 | 5-5 | 1016499 | 8-5 | 1017082 | 11-3 |
| 1016201 | 10-3 | 1016501 | 8-5 | 1017231 | 11-3 |
| 1016203 | 10-5 | 1016502 | 7-7 | 1017235 | 1-33, 1-35, 1-37, 5-21 |
| 1016214 | 5-3, 5-5 | 1016506 | 7-11 | 1017434 | 7-9 |
| 1016219 | 5-5 | 1016507 | 7-3 | 1017435 | 7-9 |
| 1016289 | 10-3 | 1016510 | 7-11 | 1017442 | 7-7 |
| 1016337 | 11-5 | 1016513 | 11-3 | 1017443 | 7-9, 7-11 |
| 1016338 | 11-5 | 1016517 | 7-9 | 1017444 | 7-9 |
| 101641002 | 16-5 | 1016518 | 7-9 | 1017445 | 7-9 |
| 101641101 | 16-11 | 1016519 | 7-9 | 1017446 | 7-9 |
| 101641201 | 16-9 | 1016521 | 7-11 | 1017447 | 7-11 |
| 101641202 | 16-3 | 1016531 | 7-3 | 1017448 | 7-5 |
| 1016413 | 16-9 | 1016535 | 7-11 | 101744901 | 7-13 |
| 1016414 | 16-9 | 1016537 | 7-7 | 101744902 | 7-13 |
| 1016415 | 16-9 | 1016538 | 7-11 | 1017450 | 7-13 |
| 1016416 | 16-3 | 1016539 | 7-3 | 101745101 | 7-13 |
| 1016417 | 16-3 | 1016541 | 7-13 | 101745102 | 7-13 |
| 1016418 | 16-7 | 1016544 | 7-5, 7-9, 7-11 | 1017453 | 7-13 |
| 101642575 | 8-5 | 1016546 | 8-9 | 1017454 | 7-9 |
| 101642578 | 8-5 | 1016547 | 7-3, 7-13, 8-7 | 1017455 | 7-5 |
| 101642580 | 8-5 | 1016549 | 7-9 | 1017456 | 7-7 |
| 101642582 | 8-5 | 1016551 | 16-11 | 101745701 | 7-13 |
| 101642585 | 8-5 | 1016552 | 16-11 | 101745702 | 7-13 |
| 1016429 | 7-7 | 1016553 | 16-11 | 1017458 | 7-7 |
| 1016432 | 7-7, 11-3 | 1016554 | 16-11 | 1017460 | 7-7 |
| 1016436 | 7-9 | 1016560 | 7-9 | 1017461 | 8-5 |
| 1016437 | 8-5 | 1016561 | 7-5 | 1017463 | 7-5 |
| 1016438 | 8-7 | 1016562 | 7-5, 7-13 | 1017466 | 8-7 |
| 1016440 | 7-9, 8-7 | 1016563 | 7-9 | 1017468 | 7-5 |
| 1016441 | 8-7 | 1016564 | 7-11 | 1017471 | 7-13 |
| 1016444 | 8-7 | 1016566 | 7-9 | 1017472 | 7-11 |
| 1016445 | 7-5 | 1016569 | 7-9 | 1017473 | 7-9 |
| 1016449 | 7-9 | 1016570 | 7-7 | 1017474 | 7-3 |
| 1016450 | 7-9 | 1016571 | 7-13 | 1017475 | 7-3 |
| 1016452 | 7-9 | 1016572 | 8-7 | 1017476 | 7-3 |
| 1016454 | 7-11 | 1016576 | 7-7 | 1017486 | 7-3 |
| 1016455 | 7-5 | 1016578 | 7-5 | 1017487 | 7-11 |
| 1016456 | 7-3, 7-5 | 1016579 | 7-5 | 1017490 | 7-5 |
| 1016457 | 7-7 | 1016581 | 7-7 | 1017500 | 7-3 |
| 1016458 | 7-9 | 1016582 | 8-7 | 1017501 | 7-13 |
| 1016467 | 7-7 | 1016583 | 7-9 | 1017502 | 7-13 |
| 1016470 | 7-13 | 1016584 | 7-11 | 1017503 | 7-13 |
| 1016472 | 7-11 | 1016585 | 8-5 | 1017504 | 7-11 |

INDEX

| | | | | | |
|-----------|------------|-----------|-------------------|-----------|------------------------|
| 1017507 | 7-7 | 101828801 | 15-5, 15-7 | 101878101 | 6-15 |
| 1017508 | 7-11 | 101828802 | 15-5, 15-7 | 101879001 | 6-15 |
| 1017510 | 7-13 | 101828901 | 15-7, 15-9, 15-11 | 101881101 | 7-5 |
| 1017512 | 7-13 | 101828902 | 15-7, 15-9, 15-11 | 101884801 | 7-15 |
| 1017513 | 7-11 | 101828903 | 15-7 | 101886101 | 11-3 |
| 1017514 | 7-11 | 101828904 | 15-5 | 101887101 | 16-3 |
| 101751801 | 7-11 | 101828905 | 15-5 | 101887601 | 7-3, 8-7 |
| 101751802 | 7-11 | 101828906 | 15-5 | 101889401 | 11-5 |
| 101751803 | 7-11 | 101830701 | 6-3, 12-3 | 101890001 | 11-5 |
| 1017686 | 10-7 | 101831101 | 15-7 | 101890101 | 11-3 |
| 1017689 | 9-3 | 101831401 | 12-13 | 101890201 | 11-3 |
| 101769302 | 2-3 | 101831701 | 15-9 | 101890501 | 11-3 |
| 101773301 | 7-13 | 101831801 | 16-5 | 101890601 | 11-3 |
| 101773302 | 7-13 | 101831901 | 16-3 | 101890901 | 11-7 |
| 101773303 | 7-13 | 101832202 | 8-9 | 101891001 | 11-7 |
| 101773304 | 7-13 | 101832302 | 8-9 | 101891301 | 11-3 |
| 101773305 | 7-13 | 101832601 | 7-15 | 101891401 | 11-7 |
| 101773306 | 7-13 | 101832701 | 7-15 | 101891501 | 11-7 |
| 101773307 | 7-13 | 101833101 | 7-15 | 101891601 | 11-5 |
| 101773308 | 7-13 | 101833401 | 10-7 | 101891901 | 11-5 |
| 101773309 | 7-13 | 101833601 | 11-3 | 101892001 | 11-5 |
| 101773310 | 7-13 | 101833701 | 6-15 | 101892201 | 11-5 |
| 101773311 | 7-13 | 101833902 | 10-3 | 101892301 | 11-5 |
| 101791101 | 4-3 | 101834001 | 10-7 | 101892401 | 11-5 |
| 1017944 | 13-3, 13-5 | 101834502 | 6-3, 12-3 | 101892501 | 11-5 |
| 1017947 | 13-3, 13-5 | 101834601 | 7-15 | 101892601 | 11-5 |
| 1017948 | 13-3 | 101834801 | 11-3 | 101892701 | 11-7 |
| 1017949 | 13-3, 13-5 | 101836201 | 10-7 | 101892901 | 11-3 |
| 1017950 | 13-3, 13-5 | 101837301 | 6-17 | 101893201 | 11-5 |
| 1017953 | 13-3, 13-5 | 101838201 | 15-9 | 101893801 | 11-3 |
| 101802201 | 15-7 | 101838301 | 15-9 | 101893901 | 11-5 |
| 101802202 | 15-7 | 101838401 | 15-9, 15-11 | 101895401 | 14-3 |
| 101802203 | 15-7 | 101838501 | 15-9 | 101895501 | 14-3 |
| 101808401 | 16-3 | 101838601 | 15-9, 15-11 | 101896501 | 6-15 |
| 101809101 | 16-5 | 101851101 | 6-3, 12-3 | 101897001 | 14-3 |
| 101811401 | 1-11, 8-11 | 101856002 | 12-9 | 101897201 | 14-3 |
| 101813202 | 16-3 | 101856201 | 1-11, 8-11 | 101897401 | 14-3 |
| 101815501 | 4-3 | 101869302 | 6-15 | 101897601 | 14-3 |
| 101815502 | 4-3 | 101871001 | 16-3 | 101898001 | 6-5 |
| 101816301 | 4-3 | 101874901 | 6-15 | 101903601 | 14-3 |
| 101816501 | 4-3 | 101875001 | 6-15 | 101903701 | 14-3 |
| 101816502 | 4-3 | 101875102 | 6-15 | 101905901 | 8-5 |
| 101820201 | 8-7 | 101875201 | 6-15 | 101906901 | 14-3 |
| 101823101 | 16-9 | 101875301 | 6-15 | 101908401 | 12-9 |
| 101823201 | 4-3 | 101875401 | 6-15 | 101908701 | 12-15 |
| 101823301 | 4-3 | 101875501 | 6-15 | 101909201 | 7-5 |
| 101823302 | 4-3 | 101875601 | 6-15 | 101909301 | 7-5 |
| 101823801 | 4-3 | 101875701 | 6-15 | 101909401 | 7-5 |
| 101823901 | 4-3 | 101875802 | 6-15 | 101910501 | 11-7 |
| 101824001 | 4-3 | 101876001 | 6-15 | 101914401 | 15-7, 15-9 |
| 101824002 | 4-3 | 101876202 | 6-15 | 101916001 | 7-13 |
| 101824401 | 8-3 | 101876301 | 6-15 | 101916101 | 7-3 |
| 101825101 | 3-3, 3-5 | 101876402 | 6-15 | 101916201 | 7-5 |
| 101827101 | 7-15 | 101876501 | 6-15 | 101916301 | 7-5 |
| 101828301 | 15-7 | 101877601 | 6-15 | 101916701 | 6-17, 10-3 |
| 101828501 | 15-7, 15-9 | 101877701 | 6-15 | 101920101 | 13-3, 13-5, 13-7, 13-9 |

INDEX

| | | | | | |
|-----------|------------------------|-----------|------------------------|-----------|-----------------------------------|
| 101922101 | 14-3 | 102065901 | 7-15 | 102289801 | 5-15 |
| 101922201 | 14-3 | 102169401 | 16-7 | 102289901 | 5-13 |
| 101923001 | 14-3 | 102186001 | 13-7, 13-9 | 102290120 | 5-7, 5-9 |
| 101923201 | 14-3 | 102186101 | 13-7, 13-9 | 102292201 | 4-7, 4-9 |
| 101923501 | 14-3 | 102186201 | 13-7, 13-9 | 102292356 | 1-7, 1-9 |
| 101923701 | 14-3 | 102186401 | 13-7, 13-9 | 102292701 | 1-9, 1-19 |
| 101923901 | 14-3 | 102186701 | 13-7, 13-9 | 102292801 | 4-5 |
| 101926901 | 11-3 | 102186901 | 13-7, 13-9 | 102293512 | 12-13 |
| 101927101 | 11-3 | 102187001 | 13-7, 13-9 | 102296020 | 1-5, 5-3, 6-5, 8-3, 8-11 |
| 101927201 | 11-3 | 102187101 | 13-7, 13-9 | 102296040 | 6-5, 11-9 |
| 101927301 | 11-3 | 102196901 | 12-3 | 102296140 | 1-25, 1-27 |
| 101927501 | 11-5 | 102235201 | 13-3, 13-5, 13-7, 13-9 | 102296401 | 1-25, 1-27 |
| 101927601 | 11-5 | 102240501 | 12-15 | 102296530 | 1-17, 1-29, 1-33, 1-35, 1-37 |
| 101927701 | 11-5 | 102241501 | 16-7 | 102296601 | 1-9, 1-19 |
| 101927901 | 11-5 | 102241502 | 16-7 | 102296716 | 12-9, 12-15 |
| 101928001 | 11-5 | 102242101 | 10-7 | 102296819 | 1-7 |
| 101928101 | 11-5 | 102243402 | 16-7 | 102296920 | 1-9, 11-9, 12-9 |
| 101928301 | 11-7 | 102243403 | 13-3, 13-5, 13-7, 13-9 | 102297125 | 1-17, 8-11 |
| 101928601 | 11-3 | 102248803 | 16-7 | 102297230 | 1-19 |
| 101928701 | 11-3, 14-3, 16-7 | 102249901 | 16-3 | 102297901 | 4-7, 4-9 |
| 101929802 | 10-3 | 102251501 | 16-7 | 102298020 | 1-9 |
| 101933101 | 16-7 | 102251901 | 13-3 | 102298030 | 1-11, 1-13, 1-19, 1-29, 4-7, 4-9 |
| 101939901 | 6-15 | 102265601 | 13-3, 13-5 | 102298116 | 5-7, 5-9 |
| 101942301 | 13-3, 13-5, 13-7, 13-9 | 102265701 | 13-3, 13-5 | 102298130 | 5-7, 5-9 |
| 101953802 | 7-3 | 102265901 | 13-3, 13-5 | 102298170 | 5-17, 5-19, 5-21 |
| 101956503 | 12-15 | 102266001 | 13-3, 13-5 | 102298185 | 5-17, 5-19, 5-21 |
| 101958201 | 15-11 | 102266101 | 13-3, 13-5 | 102298240 | 1-17, 1-19, 1-29 |
| 101958301 | 15-11 | 102267001 | 13-3, 13-5 | 102298401 | 1-3, 1-25, 1-27, 5-17, 5-19, 5-21 |
| 101960501 | 3-3 | 102273201 | 15-5 | 102298580 | 1-19 |
| 101963401 | 7-15 | 102273301 | 15-5 | 102298601 | 1-19 |
| 101972001 | 16-7 | 102273401 | 15-5 | 102298716 | 1-9, 1-19 |
| 101972002 | 16-7 | 102273601 | 15-5 | 102298720 | 1-29, 1-31, 1-33, 1-35, 1-37 |
| 101972003 | 16-7 | 102273701 | 15-3, 15-5 | 102298745 | 1-31, 1-33, 1-35, 1-37 |
| 101972004 | 16-7 | 102273801 | 15-3, 15-5 | 102298770 | 12-13 |
| 101972005 | 16-7 | 102273901 | 15-3, 15-5 | 102299065 | 1-21, 1-25, 1-27 |
| 101972006 | 16-7 | 102274001 | 15-5 | 102299360 | 1-25, 1-27 |
| 101972007 | 16-7 | 102279001 | 1-19 | 102299601 | 1-25, 1-27 |
| 101972009 | 16-7 | 102279103 | 1-19 | 102302504 | 1-9 |
| 101972011 | 16-7 | 102279104 | 1-19 | 102302604 | 1-9 |
| 101972012 | 16-7 | 102287101 | 5-13 | 102304801 | 7-9 |
| 101972101 | 14-3 | 102287201 | 5-15 | 102327801 | 13-3 |
| 101972201 | 14-3 | 102287601 | 5-13 | 102330901 | 16-9 |
| 101973101 | 8-5 | 102287701 | 5-13 | 102336001 | 8-9 |
| 101973301 | 8-5 | 102287901 | 5-15 | 102353201 | 5-15 |
| 101973401 | 8-7 | 102288101 | 5-13, 5-15 | 102353301 | 5-15 |
| 101973501 | 15-11 | 102288401 | 5-15 | 102353401 | 5-15 |
| 101976601 | 15-11 | 102288601 | 5-11 | 102355301 | 6-5 |
| 101979101 | 11-9 | 102288901 | 5-13 | 102356601 | 14-3 |
| 101980801 | 11-5 | 102289001 | 5-11 | 102356801 | 14-3 |
| 101980901 | 11-5 | 102289101 | 5-15 | 102357001 | 14-3 |
| 101981001 | 11-5 | 102289201 | 5-11, 5-15 | 102357701 | 5-15 |
| 101987501 | 15-11 | 102289301 | 5-11, 5-15 | 102380401 | 1-7 |
| 102003201 | 8-3 | 102289401 | 5-13 | 102400002 | 1-25, 1-27 |
| 102022601 | 5-11 | 102289501 | 5-13, 5-15 | 102400102 | 1-25, 1-27 |
| 102031901 | 11-7 | 102289601 | 5-13 | 102400202 | 1-21 |
| 102061201 | 16-9 | 102289701 | 5-13 | 102400302 | 1-21 |

INDEX

| | | | | | |
|-----------|------------------|-----------|------------|-----------|-----------------------------|
| 102430901 | 7-13 | 102508902 | 1-25 | 102523901 | 1-9 |
| 102431001 | 7-11 | 102509301 | 5-19 | 102526201 | 11-3 |
| 102453001 | 11-5 | 102509701 | 12-13 | 102526401 | 12-13 |
| 102453101 | 11-5 | 102509801 | 12-13 | 102526801 | 12-13 |
| 102500501 | 1-19 | 102510001 | 12-3 | 102527501 | 3-5 |
| 102500601 | 1-19 | 102510101 | 12-7 | 102531001 | 1-31, 1-33, 1-35, 1-37 |
| 102500801 | 4-7, 4-9 | 102510201 | 12-13 | 102531402 | 1-31, 1-33, 1-35, 1-37 |
| 102501401 | 1-19 | 102510601 | 12-13 | 102531501 | 1-29, 1-33, 1-35, 1-37 |
| 102501402 | 1-19 | 102510802 | 12-15 | 102531601 | 1-31, 1-33, 1-35, 1-37 |
| 102501501 | 1-5 | 102510901 | 12-9 | 102531701 | 1-29, 1-33 |
| 102502301 | 1-19 | 102511101 | 12-9 | 102531702 | 1-29, 1-35 |
| 102502302 | 1-19 | 102511301 | 12-13 | 102531704 | 1-29, 1-37 |
| 102502304 | 1-19 | 102511302 | 12-13 | 102534001 | 12-13 |
| 102502305 | 1-19 | 102511601 | 1-27 | 102534201 | 1-3, 1-31, 1-33, 1-35, 1-37 |
| 102502306 | 1-19 | 102511602 | 1-25 | 102534403 | 1-5 |
| 102502307 | 1-19 | 102511702 | 1-11 | 102534404 | 1-5 |
| 102502308 | 1-19 | 102512001 | 11-9 | 102534801 | 1-33, 1-35, 1-37, 5-21 |
| 102502309 | 1-19 | 102512401 | 1-25, 1-27 | 102536601 | 6-3, 12-3 |
| 102502311 | 1-19 | 102513001 | 5-17 | 102536602 | 6-3 |
| 102502313 | 1-19 | 102513102 | 4-7, 8-9 | 102536603 | 12-3 |
| 102502401 | 1-5 | 102513301 | 1-25, 1-27 | 102536605 | 12-3 |
| 102502402 | 1-5 | 102513501 | 1-25, 1-27 | 102538101 | 3-3, 5-3 |
| 102502404 | 1-5 | 102513701 | 8-3 | 102538201 | 3-5, 5-3 |
| 102502405 | 1-5 | 102514201 | 8-3 | 102538601 | 12-9 |
| 102502406 | 1-5 | 102514401 | 1-11, 8-11 | 102540301 | 7-15 |
| 102502407 | 1-5 | 102514601 | 11-9 | 102540601 | 2-5 |
| 102502408 | 1-5 | 102514701 | 8-3 | 102540701 | 2-5 |
| 102502409 | 1-5 | 102515001 | 6-3, 6-13 | 102540801 | 5-3 |
| 102502411 | 1-5 | 102515101 | 6-3 | 102540901 | 3-3, 3-5 |
| 102502413 | 1-5 | 102515301 | 11-9 | 102541425 | 1-29, 1-33, 1-35, 1-37 |
| 102502501 | 1-5 | 102515401 | 11-3 | 102543901 | 1-21 |
| 102502601 | 1-5 | 102515501 | 11-9 | 102543902 | 1-21 |
| 102502901 | 1-19 | 102515601 | 11-9 | 102544201 | 1-21, 1-25, 1-27 |
| 102503001 | 1-19 | 102516901 | 1-13 | 102544901 | 1-33, 1-35, 1-37, 5-21 |
| 102503221 | 1-17, 1-29, 1-33 | 102517001 | 1-17 | 102545601 | 1-19 |
| 102503222 | 1-17, 1-29, 1-35 | 102517801 | 3-3 | 102545602 | 1-19 |
| 102503224 | 1-17, 1-29, 1-37 | 102517901 | 3-3 | 102550301 | 12-7 |
| 102503225 | 1-17, 1-29 | 102518001 | 3-5 | 102551701 | 1-17 |
| 102503901 | 1-17 | 102518101 | 3-5 | 102551901 | 4-7, 4-9 |
| 102504001 | 1-17 | 102518301 | 3-5 | 102552001 | 4-7, 4-9 |
| 102504201 | 1-17 | 102519201 | 3-3 | 102554901 | 11-9 |
| 102504301 | 1-17 | 102519301 | 3-3, 3-5 | 102555501 | 16-3 |
| 102504501 | 1-17 | 102519401 | 3-5 | 102555901 | 3-5 |
| 102504802 | 1-9 | 102520001 | 12-9 | 102556701 | 2-5 |
| 102505701 | 5-13 | 102520701 | 1-27 | 102556801 | 2-5 |
| 102506201 | 5-17, 5-19, 5-21 | 102520702 | 1-25 | 102557201 | 1-7 |
| 102506301 | 5-17, 5-19, 5-21 | 102521301 | 8-11 | 102557801 | 2-3, 2-5 |
| 102506401 | 5-17, 5-19, 5-21 | 102521401 | 8-11 | 102558201 | 8-11 |
| 102506601 | 5-17, 5-19, 5-21 | 102521901 | 1-9 | 102558301 | 8-11 |
| 102507101 | 5-9 | 102522604 | 2-3 | 102558401 | 8-11 |
| 102508201 | 1-13 | 102522605 | 2-3 | 102558501 | 8-11 |
| 102508202 | 1-13 | 102522608 | 2-3, 2-5 | 102558601 | 8-11 |
| 102508401 | 12-9 | 102522609 | 2-3, 2-5 | 102558701 | 8-11 |
| 102508601 | 12-3 | 102522701 | 12-15 | 102558801 | 4-11, 4-13 |
| 102508701 | 12-3 | 102522901 | 6-3, 12-3 | 102558901 | 4-11, 4-13 |
| 102508901 | 1-27 | 102523101 | 1-7 | 102559001 | 4-11, 4-13 |

INDEX

| | | | | | |
|-----------|------------------------|-----------|------------|-----------------------------------|-------------------------|
| 102559101 | 4-11, 4-13 | 102605201 | 16-5 | 103327901 | 4-13 |
| 102559301 | 4-11, 4-13 | 102606101 | 16-5 | 103330601 | 1-3 |
| 102559401 | 4-11, 4-13 | 102607501 | 16-5 | 103337601 | 13-5 |
| 102559601 | 4-11, 4-13 | 102668801 | 16-9 | 103344301 | 4-11, 4-13 |
| 102559701 | 4-11, 4-13 | 102669901 | 16-7 | 103345701 | 10-3 |
| 102562101 | 1-19 | 102674001 | 16-5 | 103388501 | 5-13 |
| 102562401 | 16-3 | 102674101 | 16-5 | 103397901 | 15-5, 15-7 |
| 102562701 | 1-15 | 102674201 | 16-5 | 103403201 | 12-15 |
| 102562801 | 1-15 | 102674401 | 16-9 | 103414901 | 15-5, 15-7 |
| 102562901 | 1-15 | 102674601 | 16-9 | 103423001 | 1-15 |
| 102563001 | 4-11, 4-13 | 102675001 | 16-5 | 103423002 | 1-15 |
| 102563101 | 4-11, 4-13 | 102675101 | 16-5 | 103423004 | 1-15 |
| 102564901 | 5-11 | 102675201 | 16-5 | 103428501 | 15-3 |
| 102565101 | 5-11 | 102675301 | 16-5 | 103428601 | 15-3 |
| 102565201 | 5-11 | 102675401 | 16-5 | 103428701 | 15-3 |
| 102565301 | 5-11 | 102686101 | 16-3 | 103428801 | 15-3 |
| 102565701 | 5-11 | 102704801 | 13-7, 13-9 | 103429001 | 15-3 |
| 102565801 | 5-11 | 102704901 | 13-7, 13-9 | 103429101 | 15-3 |
| 102565901 | 5-11 | 102751601 | 8-3 | 103429201 | 15-3 |
| 102566001 | 5-11 | 102753401 | 7-9 | 103429301 | 15-3 |
| 102566101 | 5-11 | 102771701 | 14-3 | 103429501 | 15-3 |
| 102568701 | 1-17 | 102803301 | 6-5 | 103429601 | 15-3 |
| 102569304 | 2-3 | 102806201 | 12-15 | 103429701 | 15-3 |
| 102569309 | 2-3, 2-5 | 102865101 | 8-3 | 103434001 | 15-3 |
| 102570401 | 16-11 | 102878101 | 5-15 | 103439901 | 15-3 |
| 102570901 | 1-33 | 102878201 | 5-13, 5-15 | 103447901 | 1-15 |
| 102570902 | 1-35 | 102886301 | 14-3 | 103499101 | 15-3 |
| 102570904 | 1-37 | 102886401 | 14-3 | 103499102 | 15-3 |
| 102571301 | 5-3 | 102886501 | 14-3 | 103499103 | 15-3 |
| 102572201 | 1-29, 1-33, 1-35, 1-37 | 102886601 | 14-3 | 103512801 | 15-3 |
| 102572401 | 12-3 | 102952202 | 8-3 | 103512901 | 15-3 |
| 102573101 | 1-29, 1-33, 1-35, 1-37 | 102956201 | 5-13, 5-15 | 103517401 | 15-3 |
| 102574801 | 1-29, 1-33, 1-35, 1-37 | 102956301 | 12-11 | 103517601 | 15-5 |
| 102574901 | 1-29, 1-33, 1-35, 1-37 | 102956401 | 12-11 | 103528501 | 4-5 |
| 102575101 | 1-29, 1-33, 1-35, 1-37 | 102956501 | 12-11 | 103528601 | 4-5 |
| 102575201 | 1-29, 1-33, 1-35, 1-37 | 102958001 | 12-11 | 103528701 | 4-5 |
| 102576801 | 12-9 | 102967901 | 1-19 | 103528702 | 4-5 |
| 102577001 | 12-13 | 102973801 | 5-15 | 103528801 | 4-5 |
| 102577002 | 12-13 | 103196001 | 1-25, 1-27 | 103535001 | 4-5, 4-7, 4-9 |
| 102584701 | 1-31, 1-33, 1-35, 1-37 | 103199301 | 1-25, 1-27 | 103572501 | 13-9 |
| 102584801 | 1-31, 1-33, 1-35, 1-37 | 103200301 | 1-25, 1-27 | 96704416 | 7-15 |
| 102585801 | 12-7 | 103205101 | 1-25, 1-27 | | |
| 102585901 | 9-3 | 103209501 | 5-7 | | |
| 102586201 | 6-9 | 103210101 | 1-25, 1-27 | A | |
| 102587401 | 4-11, 4-13 | 103226201 | 12-11 | absorber, front shock | 5-13 |
| 102587501 | 4-11, 4-13 | 103226301 | 12-11 | absorber, rear shock | 5-17, 5-19, 5-21 |
| 102588301 | 8-11 | 103226401 | 12-11 | AC cord | 15-5, 15-7, 15-9, 15-11 |
| 102588501 | 5-17, 5-19, 5-21 | 103226601 | 12-11 | AC cord bushing | 15-3, 15-5 |
| 102588601 | 5-13 | 103226701 | 12-11 | AC cord receptacle | 15-11 |
| 102588701 | 4-11, 4-13 | 103238501 | 3-5 | AC cordset | 15-3 |
| 102588901 | 4-11, 4-13 | 103262001 | 12-15 | accelerator cable | 4-7, 8-9 |
| 102589901 | 11-11 | 103325501 | 13-5 | accelerator pedal | 4-11, 4-13 |
| 102590001 | 12-7 | 103325601 | 13-5 | accelerator pedal adjustment tool | 16-3 |
| 102594301 | 4-7, 4-9 | 103325701 | 13-5 | accelerator pedal pad | 4-11, 4-13 |
| 102601501 | 16-5 | 103327601 | 1-17 | access panel | 1-19 |
| 102603501 | 16-5 | 103327701 | 4-11 | adapter | |

cable (IQDM) 16-7

INDEX

- adhesive, guide ring 16-3
- adjuster
 - hydraulic brake 16-7
- adjuster, lash 7-11
- air filter 8-11
- air filter canister evacuation valve 8-11
- air intake assembly 8-11
- air intake cover 8-11
- air intake hose 8-11
- ammeter 15-3, 15-5, 15-7, 15-9, 15-11
- arbor 16-3
- arm
 - governor 11-3
 - pivot 11-3
 - rocker 7-9
- armature 6-15, 13-3, 13-5, 13-7, 13-9
- armature conversion kit 6-15
- armrest 1-15, 1-29, 1-33, 1-35, 1-37
- assembly
 - armature 6-15
 - axle 11-7
 - brake lever 4-3
 - brush connector 6-15
 - brush holder 6-15
 - carburetor 8-5
 - connecting rod 7-13
 - cylinder head 7-9
 - drive hub 10-3
 - driven clutch 10-7
 - driven clutch fixed-face 10-7
 - field coil 6-15
 - float 8-5
 - frame and field (motor) 13-7, 13-9
 - fuel tank vent 8-3
 - governor 11-5
 - idle screw 8-5
 - moveable-face 10-3, 10-7
 - pilot air screw 8-5
 - plug cap 7-5
 - score card plate 5-5
 - secondary clutch weight 10-3
- axle 11-7, 14-3
- axle shaft oil seal 11-7, 14-3
- axle tube 14-3
- B**
- backing plate, brake 4-3
- backrest 1-17, 1-29, 1-33, 1-35, 1-37
- bag hoop 1-17
- bag strap 1-17
- bag strap buckle 1-17
- bag, desiccant 10-3
- ball bearing 7-11
- ball joint 5-11
- ball stud 11-9
- ball, bearing 5-11
- ball, shifter 11-5
- ball, steel pressure relief 7-7
- band, RPM limiter mount 7-5
- barb, vent 8-3
- barrel, plastic 1-7, 1-9, 1-17, 1-29, 1-31, 1-33, 1-35, 1-37, 4-7, 4-9
- battery cable 12-13
- battery cap, 6-volt 12-13
- battery charger 15-5, 15-7, 15-9, 15-11
- battery charger case 15-5, 15-7, 15-9, 15-11
- battery charger handle 15-5
- battery charger receptacle 12-13
- battery charger transformer 15-5, 15-7, 15-9, 15-11
- battery clamp 6-5
- battery condition indicator 12-3
- battery discharge machine 16-3
- battery light 12-3
- battery terminal protector spray 16-3
- battery thermometer 16-3
- battery, 12-volt 6-5
- battery, 12-volt, Trojan T1275, moist 12-13
- battery, 12-volt, Trojan T1275, wet 12-13
- bearing 14-3
 - ball 5-11, 7-11
 - ball (motor) 13-7, 13-9
 - idler 10-3
 - inner axle tube 11-7, 14-3
 - needle 11-5
 - outer axle tube 11-7
- bearing and oil seal remover 16-3
- bearing driver set 16-3
- bearing puller 16-3
- bearing puller wedge 16-3
- bearing retainer 13-3, 13-5
- beauty panel, front 1-5
- beauty panel, rear 1-19
- bellows, steering 5-11
- belt, drive 10-5
- belt, starter/generator 6-17, 10-3
- bezel, FNR 11-9
- body kick plate 1-11, 1-13
- body, front 1-5, 1-19
- body, under 1-19
- bolt, U- 1-33, 1-35, 1-37, 5-21
- boot, switch 12-9
- bottom seat 1-15
- bracket
 - accelerator cable 8-9
 - adjustable starter/generator 6-17
 - governor cable 8-9
 - muffler mounting 9-3
 - oil filter mount 7-7
 - oil level switch 7-11
 - relay mounting 15-9
 - RPM limiter 7-5
- shock absorber 5-17, 5-19, 5-21
- shock mounting 5-17, 5-19, 5-21
- snubber 7-15
- starter/generator mounting 6-17
- throttle spring return 8-7
- bracket, clamshell 1-9
- brake adjusting mechanism 4-3
- brake adjustment tool 16-3
- brake backing plate 4-3
- brake cable release tool 16-3
- brake cluster 4-3
- brake drum 4-3
- brake lever 4-3
- brake pedal 4-11, 4-13
- brake pedal adjustment tool 16-3
- brake pedal pad 4-11, 4-13
- brake pedal tension tool 16-3
- brake return spring 4-11, 4-13
- brake rod 4-11, 4-13
- brake self-adjusting mechanism 4-3
- brake shoe 4-3
- brake spring 4-3
- breaker, circuit 15-3, 15-5, 15-7, 15-9, 15-11
- breather 11-3, 14-3
- brow 1-5
- brow cap 1-5
- brush 13-3, 13-5, 13-7, 13-9
- brush and screw set 6-15
- brush box assembly 13-7, 13-9
- brush connector 6-15
- brush holder 6-15
- brush inspection port cover 6-15
- brush port cover 6-15
- brush rigging 13-3, 13-5, 13-7, 13-9
- brush spring 13-3, 13-5, 13-7, 13-9
- brush spring set 6-15
- bucket, electric vehicle 12-13
- bucket, gas vehicle 8-3
- buckle, bag strap 1-17
- bumper 1-3
 - drive unit (motor) 13-3, 13-5, 13-7, 13-9
 - jounce 1-33, 1-35, 1-37, 5-21
 - jounce, bracket 1-33, 1-35, 1-37, 5-21
- bushing 5-13, 5-15, 5-17, 5-19, 5-21, 10-3
 - AC cord 15-3, 15-5
- bushing, insulated 13-3, 13-5
- button, drive 10-7
- buzzer, reverse 6-3, 12-3
- C**
- cable
 - accelerator 4-7, 8-9
 - FNR shifter 11-11
 - governor 8-9
 - IQDM 16-7
- cable support bracket 11-9

INDEX

- cable, battery 12-13
 - calibration test module 16-3
 - cam
 - driven clutch 10-7
 - neutral lockout 11-9
 - cam installation tool 16-3
 - camshaft 7-11
 - camshaft shim 7-11
 - canopy 1-25, 1-27
 - canopy bracket 1-19
 - canopy component kit 1-27
 - canopy cover 1-21, 1-25, 1-27
 - canopy drain cover 1-25, 1-27
 - canopy handle 1-25, 1-27
 - canopy hardware 1-25, 1-27
 - canopy support 1-25, 1-27
 - cap
 - battery, 6-volt 12-13
 - dust 12-3
 - fuel tank 8-3
 - key switch 6-3, 12-3
 - plug 7-5
 - cap, SAM 1-21
 - carburetor 8-5
 - carburetor float level tool 16-7
 - carburetor gasket 8-7
 - carburetor insulator 8-7, 13-3, 13-5
 - carburetor mounting gasket 8-7
 - card, safety first 16-9
 - case
 - battery charger 15-5, 15-7, 15-9, 15-11
 - differential gear 11-7
 - gear 11-3, 14-3
 - rocker 7-9
 - case, charger 15-3
 - charger bezel tool 16-3
 - charger board relay 15-3
 - charger case 15-3
 - charger hardware 15-3
 - charger legs 15-3
 - charger wires 15-3
 - charger, battery 15-5, 15-7
 - choke bottom rod 1-11, 8-11
 - choke lever 1-11, 8-11
 - circuit breaker 15-3, 15-5, 15-7, 15-9, 15-11
 - clamp
 - battery 6-5
 - cable retaining 8-9
 - hose 8-3, 8-7
 - muffler hose 9-3
 - clamshell bracket 1-9
 - clip, body trim 1-9, 1-19
 - clip, score card 5-3, 5-5
 - closeout 12-13
 - cluster idler gear 11-5
 - cluster, brake 4-3
 - clutch alignment tool 16-5
 - clutch pulley 10-3
 - clutch removal tool 16-3
 - clutch repair kit 10-7
 - clutch tool kit 16-5
 - clutch weight 10-3
 - clutch, drive 10-3
 - clutch, driven 10-7
 - coil, field 6-15
 - coil, ignition 7-5
 - collet 7-9
 - column, steering 5-7, 5-9
 - comfort grip steering wheel kit 5-3
 - communication display module 16-5
 - component mounting plate 12-15
 - compression gauge 16-5
 - compression spring 1-11, 8-11
 - compressor, piston ring 16-9
 - compressor, valve spring 16-11
 - computer, v 3.0 onboard 12-15
 - connecting rod 7-13
 - connector tube, handrail 1-29, 1-33, 1-35, 1-37
 - connector, 9-pin 6-3, 6-13, 12-3
 - connector, a- 6-15
 - continuity tester 16-5
 - controller, motor speed 12-15
 - controller, speed 12-15
 - cord connector 7-11
 - cord set, DC 15-5
 - cord, AC 15-5, 15-7, 15-9, 15-11
 - cord, DC 15-7, 15-9, 15-11
 - Cordset
 - PD3, AC 114" 15-3
 - PD3, AC 80" 15-3
 - PD3, DC 113" 15-3
 - PD3, DC 154" 15-3
 - PD3, DC 205" 15-3
 - counterbalance guide shaft 7-13
 - counterbalance weight 7-13
 - coupler, SPWS 12-11
 - cover
 - air intake 8-11
 - brush inspection port 6-15
 - brush port 6-15
 - crankcase 7-11
 - dust 4-3
 - electronics module 12-9
 - oil pump 7-7
 - cover plate 13-7, 13-9
 - cover, canopy drain 1-25, 1-27
 - cover, drain 1-23
 - cover, steering column 5-3
 - crankcase 7-13
 - crankcase cover 7-11
 - crankcase vent tube 8-7
 - crankshaft 7-13
 - crankshaft rod 7-13
 - crankshaft shim 7-13
 - current limiter 15-11
 - cushion, shock absorber 5-17, 5-19, 5-21
 - cutter, valve seat 16-5, 16-11
- ## D
- damper, RPM limiter 7-5
 - dash 1-7
 - dash support assembly 5-13
 - dash tray 1-7
 - DC cord 15-7, 15-9, 15-11
 - DC cord set 15-5
 - DC cordset 15-3
 - decals
 - battery weight warning 3-5
 - Club Car clip 3-3, 3-5
 - component mounting plate 3-5
 - electrical cover safety 3-5
 - four-passenger warning 1-33, 1-35, 1-37, 3-7
 - frame ground warning 3-3
 - gas and governor warning 3-3
 - IR/Club Car 1-9
 - on/off 3-3, 3-5
 - operating instructions 3-3, 3-5, 5-3
 - operating instructions (electric) 3-5
 - operating instructions (gas) 3-3
 - private speed mode 3-5
 - rollover warning 3-3, 3-5
 - rotating parts 3-3
 - Tow/Run switch 3-5
 - warning, battery weight 3-5
 - desiccant bag 10-3
 - DF-terminal insulator 6-15
 - diesel tachometer probe 16-9
 - differential
 - drive unit 14-3
 - differential gear 11-7, 14-3
 - differential gear case 11-7
 - differential housing 14-3
 - differential idler gear 11-7
 - differential pin 11-7
 - diode 12-9
 - diode, tow switch 12-7
 - dipstick 7-3
 - drain cover 1-23
 - drain plug 7-7
 - drain plug gasket 7-7, 11-3
 - drive belt 10-5
 - drive button 10-7
 - drive clutch 10-3
 - drive clutch button 10-3
 - drive clutch fixed sheave tool 16-5
 - drive clutch fixed-face 10-3
 - drive clutch holder tool 16-5

INDEX

drive clutch hub puller 16-5
drive clutch puller 16-5
drive clutch spider removal tool 16-5
drive clutch spring 10-3
drive clutch weight 10-3
drive hub 10-3
drive unit bumper 13-3, 13-5, 13-7, 13-9
driven clutch 10-7
driven clutch button 10-7
driven clutch cam 10-7
driven clutch cam puller 16-5
driven clutch fixed-face assembly 10-7
driven clutch puller plug 16-5
driven clutch spring compression base tool 16-5
driven clutch spring compression collar tool 16-5
driven clutch spring compression nut tool 16-5
driver, drive clutch 10-3
drum, brake 4-3
dry moly lubricant 16-7
dust cap 12-3
dust cover 4-3
dust seal 5-11

E

eccentric adjustment screw 5-15
end bell, commutator 6-15
end bell, output shaft 6-15
end cap, motor 13-3, 13-5, 13-7, 13-9
end shield
 motor 13-3, 13-5
end, tie rod 5-11
engine mounting plate 7-15
engine shroud 7-3
engine, FE350 CW without ACR 7-3
exhaust system 9-3
exhaust valve 7-9

F

face, moveable 10-3, 10-7
fan housing 7-3
fan shroud 7-3
fan, flywheel 7-5
fascia 1-5
field coil 6-15
field coil housing 6-15
fill plug 11-3
filter
 air 8-11
 fuel 8-3
 oil 7-7
 oil pump 7-7
fixed-face, drive clutch 10-3
fixed-face, driven clutch 10-7

float 8-5
floor cover plate 4-7, 4-9
floor mat 1-31, 1-33, 1-35, 1-37
floor mat 1-9
floor mat retainer 1-9
flywheel 7-5
flywheel fan 7-5
flywheel fan plate 7-5
flywheel puller 16-7
FNR bezel 11-9
FNR handle 11-9
FNR housing 12-9
FNR shift lever 11-3
FNR shifter 11-9
FNR shifter base 11-9
FNR shifter cable 11-11
foam tape 1-19
foot deck 1-31, 1-33, 1-35, 1-37
fork, shift 11-5
four-passenger conversion kit 1-33, 1-35
four-passenger kit 1-37
frame and field assembly (motor) 13-7, 13-9
front body 1-5, 1-19
front body, beauty panel 1-5
front hub 5-15
front suspension structure 5-13
F-terminal hardware 6-15
f-terminal insulator 6-15
fuel filter 8-3
fuel line 8-3, 8-7
fuel pickup tube 8-3
fuel pump, impulse 8-3
fuel tank 8-3
fuel tank cap 8-3
fuel tank hold-down 8-3
fuel tank vent 8-3
fuse 15-7, 15-9, 15-11
 10-amp 6-5
 15-amp 12-9
 charger 15-3, 15-5
fuse cover, sealed 6-5

G

gasket 14-3
 air intake 8-11
 carburetor 8-7
 carburetor mounting 8-5, 8-7
 crankcase cover 7-9, 7-11
 drain plug 7-7, 11-3
 exhaust 7-9, 9-3
 head 7-9
 insulator 7-9, 8-7
 liquid 11-3, 14-3, 16-7
 rocker case 7-9
gasket kit, FE350 7-9
gauge, compression 16-5

GCOR 4-11
gear
 case 11-3, 14-3
 cluster idler 11-5
 differential 11-7, 14-3
 differential idler 11-7, 14-3
 differential output 14-3
 helical 7-13, 11-5, 11-7
 spur 7-13, 11-5
 steering 5-11
 synchro 11-5
gear yoke 16-7
governor 11-5
governor arm 11-3
governor cable 8-9
governor cable bracket 8-9
governor shaft installation tool 16-7
governor shield 8-7
grip, pencil 5-3, 5-5
grommet 8-3
guide
 intake valve 7-9
 valve 7-9
 valve seat cutter 16-11
guide ring adhesive 16-3

H

hand rail 1-31, 1-33, 1-35, 1-37
handle, battery charger 15-5
handle, FNR 11-9
handrail connector tube 1-29, 1-33, 1-35, 1-37
hardware kit, charger 15-3
hardware, F-terminal 6-15
harness, instrument panel 6-3, 6-13, 12-3
harness, wire 6-9, 12-7
head gasket 7-9
head, cylinder 7-9
heatsink 12-15, 15-5
heatsink and rectifier 15-7, 15-9, 15-11
helical gear 7-13, 11-5, 11-7
hip restraint 1-15, 1-29, 1-33, 1-35, 1-37
hold-down, fuel tank 8-3
hoop, bag 1-17
hose, air intake 8-11
hose, fuel 8-3
hose, SPWS 12-11
housing
 3-pin 13-3, 13-5, 13-7, 13-9
 differential 14-3
 fan 7-3
 field coil 6-15
hub 5-15
hub, front 5-15
hub, synchronizer clutch 11-5
hubcap 5-15
hydraulic brake adjuster 16-7

INDEX

hydrometer 16-7

I

idle screw assembly 8-5
idler bearing 10-3
idler gear, differential 14-3
ignition coil 7-5
inner frame snubber 7-15
input shaft 14-3
insert, synchronizer 11-5
instrument panel 6-3, 12-3
instrument panel harness 6-3, 6-13, 12-3
insulated bushing 13-3, 13-5
insulator gasket 7-9, 8-7
insulator, carburetor 8-7, 13-3, 13-5
intake assembly 8-11
intake cover 8-11
intake hose 8-11
intake pipe 8-7
intake valve 7-9
intermediate shaft 14-3
internal retaining ring pliers 16-7
IQ display module (IQDM) 16-7

J

J-clip 1-19
jet, main 8-5
jet, pilot 8-5
joint
 ball 5-11
jounce bumper 1-33, 1-35, 1-37, 5-21
jounce bumper bracket 1-33, 1-35, 1-37, 5-21

K

key
 crankshaft 7-5, 7-13
 driven clutch 10-7
 On/Off 6-3, 12-3
 square 10-7
 starter/generator 6-15
 woodruff 11-3
key switch 6-3, 12-3
key switch cap 6-3, 12-3
kick plate 1-11
kick plate, body 1-11, 1-13
king pin 5-15
kit
 3-pin housing 13-3, 13-5, 13-7, 13-9
 brake pedal adjustment tool 16-3
 brake shoe retainer 4-3
 canopy component 1-27
 clutch repair 10-7
 comfort grip steering wheel 5-3
 differential gear case 11-7
 drive clutch button 10-3

drive clutch weight 10-3
driven clutch button 10-7
four-passenger 1-37
front hub replacement 5-15
impulse fuel pump rebuild 8-3
IQ display module (IQDM) 16-7
magnet and bearing 13-3, 13-5
motor brush 13-7, 13-9
motor brush spring 13-7, 13-9
motor cover plate 13-7, 13-9
motor speed sensor 13-7, 13-9
motor terminal hardware 13-7, 13-9
neutral lockout cam 11-9
PD3 Cordest, AC 114" 15-3
PD3 Cordest, AC 80" 15-3
PD3 Cordest, DC 113" 15-3
PD3 Cordest, DC 154" 15-3
PD3 Cordest, DC 205" 15-3
PD3 hardware 15-3
PD3 wiring 15-3
shock absorber cushion 5-17, 5-19, 5-21
SPWS (single-point watering system) 12-11
tune-up 16-9

L

lash adjuster 7-11
L-bracket, motor 13-7, 13-9
leaf spring 1-33, 1-35, 1-37, 5-15, 5-17, 5-19, 5-21
legs, charger 15-3
lever
 change 11-3
 choke 1-11, 8-11
light
 battery 12-3
 oil 6-3
limit switch 11-9
limiter
 current 15-11
 RPM 7-5
line, fuel 8-3, 8-7
liquid gasket 11-3, 14-3, 16-7
low oil warning light 6-3
lubricant, dry moly 16-7
lubricant, moly-teflon 13-3, 13-5, 13-7, 13-9, 16-7
lug nut 2-3, 2-5
lug stud 5-15, 11-7, 14-3

M

magnet and bearing kit 13-3, 13-5
magnet, speed sensor 13-3, 13-5, 13-7, 13-9
main jet 8-5
manifold, SPWS 12-11
mat, floor 1-9, 1-31, 1-33, 1-35, 1-37

MCOR 4-13
mechanism, brake adjusting 4-3
meter, volt ohm 16-11
module
 calibration test 16-3
 communication display 16-5
moly-teflon lubricant 16-7
motor
 48-volt 13-5
 48-volt IQ 13-3, 13-7, 13-9
motor armature 13-3, 13-5
motor brush 13-3, 13-5
motor brush kit 13-7, 13-9
motor brush spring kit 13-7, 13-9
motor bumper 13-3, 13-5, 13-7, 13-9
motor controller 12-15
motor end cap 13-3, 13-5, 13-7, 13-9
motor end shield 13-3, 13-5
motor L-bracket 13-7, 13-9
motor magnet, speed sensor 13-3, 13-5, 13-7, 13-9
motor speed controller 12-15
motor speed sensor 13-3, 13-5, 13-7, 13-9
motor speed sensor kit 13-7, 13-9
motor stator shell and winding 13-3, 13-5
motor terminal hardware kit 13-7, 13-9
moveable-face 10-3, 10-7
muffler hose clamp 9-3

N

nameplate 1-5
needle bearing 11-5
neutral lockout cam 11-9
nozzle, main 8-5
nut, lug 2-3, 2-5

O

oil filler tube 7-3
oil filter 7-7
oil filter mount bracket 7-7
oil filter screen 7-11
oil filter screen plate 7-11
oil level sensor 7-11
oil level switch bracket 7-11
oil pump and rotor 7-7
oil pump cover 7-7
oil pump filter 7-7
oil pump plate 7-7
oil seal 7-9, 7-11, 7-13, 11-3, 11-5
oil warning light, low 6-3
onboard computer (v 3.0) 12-15
O-ring 7-3, 7-9, 7-11, 7-13, 12-11

P

pad

INDEX

- accelerator pedal 4-11, 4-13
 - brake pedal 4-11, 4-13
 - park brake pedal 4-11, 4-13
 - paint, touch-up 16-7
 - panel
 - SAM 1-17
 - panel, access 1-19
 - panel, beauty
 - front body 1-5
 - rear body 1-19
 - park brake pad 4-11, 4-13
 - pedal assembly 4-11, 4-13
 - pedal group 4-11, 4-13
 - pedal spring kit 4-11, 4-13
 - pencil grip 5-3, 5-5
 - pilot air screw assembly 8-5
 - pilot jet 8-5
 - pin, differential 11-7
 - pin, king 5-15
 - pin, piston 7-13
 - pinion, steering 5-11
 - pipe, intake 8-7
 - piston 7-13
 - piston pin 7-13
 - piston ring 7-13
 - piston ring compressor 16-9
 - piston ring pliers 16-9
 - piston ring set 7-13
 - pivot arm 11-3
 - plate
 - backing (brake) 4-3
 - cover 13-7, 13-9
 - engine mounting 7-15
 - flywheel fan 7-5
 - kick 1-11
 - oil filter screen 7-11
 - oil pump 7-7
 - score card 5-5
 - thrust 11-5, 11-7
 - plate, component mounting 12-15
 - plate, floor cover 4-7, 4-9
 - pliers
 - internal retaining ring 16-7
 - piston ring 16-9
 - retaining ring 16-9
 - plug
 - drain 7-7
 - driven clutch puller 16-5
 - fill 11-3
 - spark 7-5
 - plug cap 7-5
 - pole set 6-15
 - press weldment 16-5
 - protector spray, battery terminal 16-3
 - puller
 - bearing 16-3
 - clutch 16-3
 - drive clutch 16-5
 - drive clutch hub 16-5
 - driven clutch cam 16-5
 - flywheel 16-7
 - seal 16-9
 - special use tool 16-9
 - pulley
 - clutch 10-3
 - starter-generator 6-15
 - pump, impulse fuel 8-3
 - push rod 7-9
- ## R
- rack and pinion 5-11
 - rack and pinion steering gear box 5-11
 - rack, steering 5-11
 - raaf-facing seat 1-37
 - reamer, valve guide 16-9
 - rear body, beauty panel 1-19
 - receptacle, AC cord 15-11
 - receptacle, battery charger 12-13
 - rectifier with heatsink 15-7, 15-9, 15-11
 - regulator, voltage 6-5
 - relay 15-9, 15-11
 - relay mounting bracket 15-9
 - relay, charger board 15-3
 - remover, bearing and oil seal 16-3
 - resistor 12-15
 - restraint, hip 1-15, 1-29, 1-33, 1-35, 1-37
 - retainer
 - bearing 13-3, 13-5
 - brake shoe 4-3
 - shock absorber cushion 5-17, 5-19, 5-21
 - spring (drive clutch) 10-3
 - valve spring 7-9
 - retainer, floormat 1-9
 - retaining ring pliers 16-9
 - return spring, brake 4-11, 4-13
 - reverse buzzer 6-3, 12-3
 - rigging, brush 13-3, 13-5
 - ring
 - piston 7-13
 - retaining 10-3, 10-7, 11-9
 - snap 7-9, 7-13
 - spiral backup 10-3
 - synchronizer 11-5
 - ring, piston 7-13
 - rocker arm 7-9
 - rocker case 7-9
 - rocker case gasket 7-9
 - rocker shaft 7-9
 - rocker switch 12-9
 - rod
 - brake 4-11, 4-13
 - connecting 7-13
 - crankshaft 7-13
 - push 7-9
 - shift 11-5
 - rotor, oil pump and 7-7
 - RPM limiter 7-5
 - RPM limiter bracket 7-5
 - RPM limiter damper 7-5
 - RPM limiter mount band 7-5
- ## S
- safety first card 16-9
 - SAM 1-17
 - SAM (structural accessory module) 1-17
 - SAM cap 1-21
 - SAM panel 1-17
 - score card clip 5-3, 5-5
 - score card holder 5-3
 - score card plate 5-3, 5-5
 - screen, oil filter 7-11
 - screw, eccentric adjustment 5-15
 - screw, valve clearance adjuster 16-9
 - seal
 - dust 5-11
 - lip 14-3
 - oil 7-9, 7-11, 7-13, 11-3, 11-5, 11-7, 14-3
 - seal puller 16-9
 - sealant 11-3, 14-3
 - seat
 - spring 7-9
 - valve 7-7
 - seat bottom 1-15, 1-29, 1-33, 1-35, 1-37
 - seat bracket 1-29, 1-33, 1-35, 1-37
 - sensor, motor speed 13-3, 13-5, 13-7, 13-9
 - sensor, oil level 7-11
 - sensor, speed 13-3, 13-5
 - set, brush and screw 6-15
 - set, pole 6-15
 - shackle 5-17, 5-19, 5-21
 - shaft
 - change 11-3
 - counterbalance guide 7-13
 - input 14-3
 - intermediate 14-3
 - rocker 7-9
 - transmission 11-5
 - shield, governor 8-7
 - shift fork 11-5
 - shift lever 11-3
 - shift rod 11-5
 - shifter, FNR 11-9
 - shim, camshaft 7-11
 - shim, crankshaft 7-13
 - shock absorber (front) 5-13
 - shock absorber (rear) 5-17, 5-19, 5-21
 - shock absorber cushion 5-17, 5-19, 5-21
 - shock absorber cushion retainer 5-17, 5-19,

INDEX

5-21
shock mounting bracket 5-17, 5-19, 5-21
shoe, brake 4-3
shroud 7-3
shroud, engine 7-3
shroud, fan 7-3
single-point watering system 12-11
sleeve 5-13, 5-15, 5-17, 5-19, 5-21
 governor 11-5
 synchronizer 11-5
snap ring 7-9, 7-13
snubber bracket 7-15
snubber, inner frame 7-15
solenoid, 12-volt 6-5
solenoid, 48-volt 12-15
spanner wrench 16-9
spark plug 7-5
speed controller 12-15
speed sensor 13-3, 13-5, 13-7, 13-9
speed sensor magnet 13-3, 13-5, 13-7, 13-9
speed sensor, motor 13-3, 13-5, 13-7, 13-9
spindle 5-15
spiral backup ring 10-3
spray, battery terminal protector 16-3
spring
 brake 4-3
 brake return 4-11, 4-13
 brush 6-15, 13-3, 13-5, 13-7, 13-9
 compression 1-11, 5-3, 5-5, 8-11
 drive button 10-3
 drive clutch 10-3
 driven clutch 10-7
 forward/reverse cam 11-9
 leaf 1-33, 1-35, 1-37, 5-15, 5-17, 5-19, 5-21
 shifter 11-5
 synchronizer 11-5
 throttle return 8-7
 valve 7-9
spur gear 7-13, 11-5
SPWS 12-11
SPWS (single-point watering system) kit 12-11
SPWS coupler 12-11
SPWS fitting, swivel T 12-11
SPWS hose 12-11
SPWS manifold 12-11
SPWS tubing 12-11
stand-offs, plastic 15-3
starter/generator 6-15
starter/generator belt 6-17, 10-3
starter/generator pulley 6-15
stator shell and winding 13-3, 13-5
steel pressure relief ball 7-7
steering column 5-7, 5-9
steering column bearing press tool 16-9
steering column cover 5-3
steering column retaining ring tool 16-9

steering gear 5-11
steering pinion 5-11
steering rack 5-11
steering wheel 5-3
steering wheel (comfort grip) kit 5-3
steering wheel puller tool 16-9
steering, rack and pinion gear box 5-11
stem, valve 2-3, 2-5
stiffener, flywheel side 7-15
stiffener, PTO side 7-15
strap, bag 1-17
stud 7-15
 lug 5-15, 11-7, 14-3
stud, ball 11-9
suppressor, voltage 15-7, 15-9, 15-11
suspension, front structure 5-13
switch
 four-position 15-9, 15-11
 key 6-3, 12-3
 limit 11-9
 rocker 12-9
 Tow/Run 12-9
switch rubber boot 12-9
synchro gear 11-5
synchronizer clutch hub 11-5
synchronizer insert 11-5
synchronizer sleeve 11-5
synchronizer spring 11-5

T

12-volt battery 6-5
12-volt solenoid 6-5
tachometer 16-9
tachometer probe, diesel 16-9
tank, fuel 8-3
tape, foam 1-19
tester, continuity 16-5
thermometer, battery 16-3
throttle return spring 8-7
throttle spring return bracket 8-7
thrust plate 11-5, 11-7
tie rod end 5-11
tire 2-3, 2-5
tire, pro tour, 205-50 x 10 2-5
tool
 accelerator pedal adjustment 16-3
 belt tensioning, starter/generator 16-11
 brake adjustment 16-3
 brake cable release 16-3
 brake pedal adjustment 16-3
 brake pedal tension 16-3
 cam installation 16-3
 carburetor float level 16-7
 charger bezel 16-3
 clutch alignment 16-5
 cT-wrench 16-5

drive clutch fixed sheave 16-5
drive clutch holder 16-5
drive clutch spider removal 16-5
driven clutch spring compression base 16-5
driven clutch spring compression collar 16-5
driven clutch spring compression nut 16-5
governor shaft installation 16-7
puller, special use 16-9
steering column bearing press 16-9
steering column retaining ring 16-9
steering wheel puller 16-9
transaxle axle seal 16-9
transaxle pinion seal 16-9
transmission 16-9
 valve guide driver 16-9
 valve seat cutter 16-5
tool kit, clutch 16-5
touch-up paint 16-7
tow switch diode 12-7
Tow/Run switch 12-9
transaxle 14-3
transaxle axle seal tool 16-9
transaxle housing 14-3
transaxle pinion seal tool 16-9
transaxle, unitized 11-3
transformer 15-3
transformer, battery charger 15-5, 15-7, 15-9, 15-11
transmission shaft 11-5
transmission tool 16-9
tube
 crankcase vent 8-7
 fuel pickup 8-3
 oil filler 7-3
tubing, SPWS 12-11
tune-up kit 16-9
T-wrench tool 16-5

U

U-bolt 1-33, 1-35, 1-37, 5-21
u-bolt 5-17, 5-19
underbody 1-19
underbody cover 1-29, 1-33, 1-35, 1-37
underbody cover kit 1-21
underbody, rear 1-19
unitized transaxle 11-3

V

valve
 exhaust 7-9
 intake 7-9
 reed 7-9
valve clearance adjuster screw 16-9
valve guide 7-9

INDEX

valve guide driver tool 16-9
valve guide reamer 16-9
valve guide, intake 7-9
valve seat 7-7
valve seat cutter 16-5, 16-11
valve seat cutter guide 16-11
valve seat cutter tool 16-5
valve seat t-wrench 16-11
valve spring 7-9
valve spring compressor 16-11
valve spring retainer 7-9
valve stem 2-3, 2-5
vent barb 8-3
volt ohm meter 16-11
voltage regulator 6-5
voltage suppressor 15-7, 15-9, 15-11

W

warning light, low oil 6-3
watering system, single-point 12-11
wedge, bearing puller 16-3
weight
 clutch 10-3
 counterbalance 7-13
 secondary clutch 10-3
weldment
 press 16-5
wheel 2-3, 2-5
wheel and tire 5-5
wheel, steering 5-3
wire harness 6-9, 12-7
wiring, charger 15-3
woodruff key 11-3
wrench, spanner 16-9

Y

yoke support 5-11
yoke, gear 16-7



Club Car, Inc.
P.O. Box 204658
Augusta, GA 30917-4658
USA

Web www.clubcar.com
Phone 1.706.863.3000
1.800.ClubCar
Int'l +1 706.863.3000
Fax 1.706.863.5808