



**2009
Precedent
Illustrated Parts List**



Gasoline and Electric Vehicles

Manual Number 103472627
Edition Code 0512A00000

USING THE ILLUSTRATED PARTS LIST

⚠ WARNING

- **This manual is to be used only for identification and ordering of service parts. Be sure to read and use the maintenance and service manual before attempting any vehicle repairs.**

This manual covers all 2009 Club Car Precedent vehicles.

The manual is divided into sections. Note that there are two or three flags on the outside edge of each page. The first flag contains the section number of which that page is a part. The other flag (or flags) contains the letter D, E, or G, signifying that the page pertains to diesel, electric, or gasoline vehicles.

Use the Table of Contents to find the sections and pages that contain the parts and assemblies you seek. The Table of Contents lists section numbers, and under them, the individual page titles and numbers to be found in that section. The index can be used to find specific parts and assemblies. The index is divided into numerical and alphabetical listings with the page numbers in italic text.

There is a two-page spread for each individual page title in the Table of Contents. On the left-hand page is an illustration showing the parts in their relative positions; the parts are each tagged with an item number in a balloon. The right-hand page is the parts list page, and gives the page title at the top, then the item numbers (corresponding to the numbers on the illustration), part descriptions, and quantity of parts used. Some item numbers have more than one part number because several configurations of a component are represented together on one spread.

Note that a part description may be indented. This indentation corresponds to a parts assembly level indicated by the numbers 1, 2, 3, and 4 at the top left corner of the parts description area of the parts list page. A part that is indented to *level 2* is a component of the *level 1* part (assembly) that it is listed under. A *level 3* part is a component of the *level 2* part that it is listed under, and a *level 4* part is a component of the *level 3* part preceding it. In each case, the part quantity given for a level 2, 3, or 4 part is the quantity used per next higher level assembly of which it is a component. A part that is not indented is a *level 1* part. This means that the quantity given is the quantity used per the portion of the vehicle illustrated on that particular spread.

HOW TO ORDER PARTS

Replacement parts and accessories can be obtained from our network of authorized dealers and distributors. You can obtain the name and phone number of your closest authorized Club Car dealer or distributor by visiting our web site at www.clubcar.com and clicking on the "Distributor Search" link or by calling our toll-free Service Parts and Technical Assistance hotline at (800) 872-2246 or (706) 863-3000, extension 3887.



P. O. Box 204658
Augusta, Georgia 30917-4658 USA
Telephone 706-863-3000
Service Parts Fax 706-855-7413
www.clubcar.com

NOTE: *This illustrated parts list represents the most current information at the time of publication. Club Car, LLC. is continually working to further improve its vehicles and other products. These improvements may affect the parts used to service the vehicle. Any modification and/or significant change in specifications will be forwarded to all Club Car and Carryall distributors/dealers and will, when applicable, appear in future editions of this illustrated parts list.*

Club Car, LLC. reserves the right to change specifications and designs at any time without notice and without the obligation of making changes to units previously sold.

Copyright © 2012 Club Car, LLC
Club Car, Precedent, and Surlyn
are registered trademarks of Club Car, LLC
This manual effective March 31, 2012.

2009 Precedent Illustrated Parts List

CONTENTS

SECTION 1 – BODY AND TRIM

| | |
|---|------|
| Front Bumper | 1-3 |
| Front Body | 1-5 |
| Underbody Covers (Vehicle Without Canopy) | 1-7 |
| Dash | 1-9 |
| Floor Mat, Retainers, and Front Underbody-Style A Retainers | 1-11 |
| Floor Mat, Retainers, and Front Underbody – Style B Retainers | 1-13 |
| Kick Plate – Gasoline Vehicle | 1-15 |
| Kick Plate – Electric Vehicle | 1-17 |
| Seat Bottom with Hip Restraints | 1-19 |
| Backrest and Structural Accessory Module (SAM) | 1-21 |
| Rear Body | 1-23 |
| Canopy – Beige | 1-25 |
| Canopy – White | 1-27 |
| Rear Seat – Precedent Villager 4 | 1-29 |
| Rear Footrest Assembly – Precedent Villager 4 | 1-31 |
| Four Passenger Conversion Kit – Beige | 1-33 |
| Four Passenger Conversion Kit – White | 1-35 |
| Four Passenger Conversion Kit – Gray | 1-37 |

SECTION 2 – WHEELS AND TIRES

| | |
|--|-----|
| Wheels and Tires – Professional and i2 | 2-3 |
| Wheels and Tires – Champion and i2L | 2-5 |

SECTION 3 – DECALS

| | |
|--|-----|
| Decals – Gasoline Vehicle | 3-3 |
| Decals – Electric Vehicle | 3-5 |
| Decals – Electric Vehicle, Continued | 3-7 |
| Decal – Precedent Villager 4 | 3-9 |

SECTION 4 – BRAKES AND PEDAL GROUP ASSEMBLIES

| | |
|--|------|
| Rear Brake Assembly, Self-Adjusting – Style A | 4-3 |
| Rear Brake Assembly, Self-Adjusting – Style B | 4-5 |
| Brake Cables and Equalizer Bracket – Style A | 4-7 |
| Brake Cables and Equalizer Bracket – Style B | 4-9 |
| Pedal Group, Generation 1 – Gasoline Vehicle | 4-11 |
| Pedal Group with Sensor, Generation 2 – Gasoline Vehicle | 4-13 |
| Pedal Group, No Sensor, Generation 2 – Gasoline Vehicle | 4-15 |

CONTENTS

| | |
|---|------|
| Pedal Group, No MCOR, Generation 2 – Electric Vehicle | 4-17 |
|---|------|

SECTION 5 – STEERING, FRONT AND REAR SUSPENSION

| | |
|---|------|
| Steering Wheel – Champion and i2L | 5-3 |
| Steering Wheel – Professional and i2 | 5-5 |
| Steering Column | 5-7 |
| Steering Gear Assembly | 5-9 |
| Front Suspension, Upper – Style A A-Arm | 5-11 |
| Front Suspension, Lower – Style A | 5-13 |
| Front Suspension, Upper – Style B A-Arm | 5-15 |
| Front Suspension, Lower – Style B | 5-17 |
| Rear Suspension – Gasoline Vehicle | 5-19 |
| Rear Suspension – Electric Vehicle | 5-21 |
| Rear Suspension – Precedent Villager 4 | 5-23 |

SECTION 6 – ELECTRICAL SYSTEM – GASOLINE VEHICLE

| | |
|---|------|
| Electrical Components, Front Body – Gasoline Vehicle | 6-3 |
| Instrument Panel Wire Harness | 6-7 |
| Forward/Reverse Shifter Assembly – Gasoline Vehicle | 6-9 |
| Wiring (Generation 1)- Gasoline Vehicle | 6-13 |
| Wiring (with Generation 2 Pedal Group) – Gasoline Vehicle | 6-17 |
| Starter/Generator Assembly Model G425419 (Style A) – Gasoline Vehicles | 6-19 |
| Starter/Generator (S/G) Assembly Model 114-01-4005 *- Gasoline Vehicles | 6-21 |
| Starter/Generator Mounting – FE350 (AS11, AS26) | 6-23 |
| Battery – Gasoline Vehicle | 6-25 |

SECTION 7 – FE350 ENGINE (AS11)

| | |
|---|------|
| FE350 Engine (AS11) – Shrouds and Brackets | 7-3 |
| FE350 Engine (AS11) – Ignition Components and Flywheel | 7-5 |
| FE350 Engine (AS11) – Oil Circulation | 7-7 |
| FE350 Engine (AS11) – Cylinder Head | 7-9 |
| FE350 Engine (AS11) – Crankcase, Camshaft, and Oil Sensor | 7-11 |
| FE350 Engine (AS11) – Crankcase and Crankshaft | 7-13 |
| FE350 Engine (AS11) – Mounting | 7-15 |

SECTION 8 – FE350 ENGINE (AS26)

| | |
|---|-----|
| FE350 Engine (AS26) – Shrouds and Brackets | 8-3 |
| FE350 Engine (AS26)- Ignition Components and Flywheel | 8-5 |

CONTENTS

| | |
|--|------|
| FE350 Engine (AS26)- Oil Circulation | 8-7 |
| FE350 Engine (AS26)- Cylinder Head | 8-9 |
| FE350 Engine (AS26)- Crankcase and Crankshaft Oil Sensor | 8-11 |
| FE350 Engine (AS26)- Crankcase and Crankshaft | 8-13 |
| FE350 Engine (AS26)- Mounting | 8-15 |

SECTION 9 – FUEL, INTAKE, AND GOVERNOR SYSTEMS

| | |
|--|------|
| Fuel System | 9-3 |
| Carburetor Assembly – FE350 (AS11) | 9-5 |
| Carburetor Assembly – FE350-(AS11, AS26) | 9-7 |
| Carburetor Installation – FE350 (AS11) | 9-9 |
| Governor and Accelerator Cables | 9-11 |
| Choke and Air Box Assembly | 9-13 |

SECTION 10 – EXHAUST SYSTEM

| | |
|-------------------------------------|------|
| Exhaust System – FE350 (AS11) | 10-3 |
|-------------------------------------|------|

SECTION 11 – TORQUE CONVERTER

| | |
|---------------------|------|
| Drive Clutch | 11-3 |
| Driven Clutch | 11-5 |

SECTION 12 – UNITIZED TRANSAXLE

| | |
|--|------|
| Unitized Transaxle – Gear Cases and Brackets | 12-3 |
| Unitized Transaxle – F&R Transmission and Gear Reduction | 12-5 |
| Unitized Transaxle – Differential and Axles | 12-7 |

SECTION 13 – ELECTRICAL SYSTEM – ELECTRIC VEHICLE

| | |
|---|-------|
| Electrical Components, Front Body – Electric Vehicle | 13-3 |
| Throttle Sensor | 13-5 |
| Motor Controller Output Regulator (MCOR) | 13-7 |
| Wiring – IQ System with Throttle Sensor | 13-11 |
| Wiring – IQ System with MCOR | 13-15 |
| Wiring – Excel System with Throttle Sensor | 13-19 |
| Wiring – Excel System with MCOR | 13-23 |
| Forward/Reverse Switch and Tow/Run Switch | 13-25 |
| Batteries, Bucket, and Charger Receptacle – IQ and Excel Systems, 12V | 13-27 |
| Batteries, Bucket, and Charger Receptacle – IQ and Excel Systems, 8V | 13-29 |
| Batteries, Bucket, and Charger Receptacle – IQ and Excel Systems, Heavy Duty 8V | 13-31 |

CONTENTS

| | |
|---|-------|
| Batteries, Bucket, and Charger Receptacle – IQ and Excel Systems, CE, 8V | 13-33 |
| Batteries, Bucket, and Charger Receptacle – IQ and Excel Systems, Heavy Duty 8V, CE | 13-35 |
| Single Point Watering System, 12V | 13-37 |
| Single Point Watering System, 8V | 13-39 |
| Computer, Controller, and Solenoid – IQ System | 13-41 |
| Computer, Controller, and Solenoid – Excel System | 13-43 |
| CE Ferrite Beads (IQ System) | 13-45 |

SECTION 14 – ELECTRIC MOTOR

| | |
|--|------|
| Motor (Model EJ4-4001) – Electric Vehicle | 14-3 |
| Motor (Model EJ8-4001A) – Electric Vehicle | 14-5 |

SECTION 15 – TRANSAXLE – ELECTRIC VEHICLES

| | |
|-------------------------------------|------|
| Transaxle – Electric Vehicles | 15-3 |
|-------------------------------------|------|

SECTION 16 – BATTERY CHARGERS

| | |
|--|-------|
| PowerDrive 3 Battery Charger (Model 26580), Domestic | 16-3 |
| PowerDrive 2 Battery Charger (Model 22110), Domestic | 16-5 |
| PowerDrive Battery Charger (Model 17930), Domestic | 16-7 |
| PowerDrive Battery Charger (Model 18780), Export | 16-9 |
| PowerDrive Battery Charger (Model 20310), European | 16-11 |
| Onboard PowerDrive Battery Charger (Model 17935-40), Domestic | 16-13 |
| Onboard PowerDrive Battery Charger (Model 17790-40), International | 16-15 |

SECTION 17 – MAINTENANCE AND SERVICE TOOLS

| | |
|---|------|
| Maintenance and Service Tools – Golf | 17-3 |
| Maintenance and Service Tools – Golf, Continued | 17-5 |
| Maintenance and Service Tools – Golf, Continued | 17-7 |

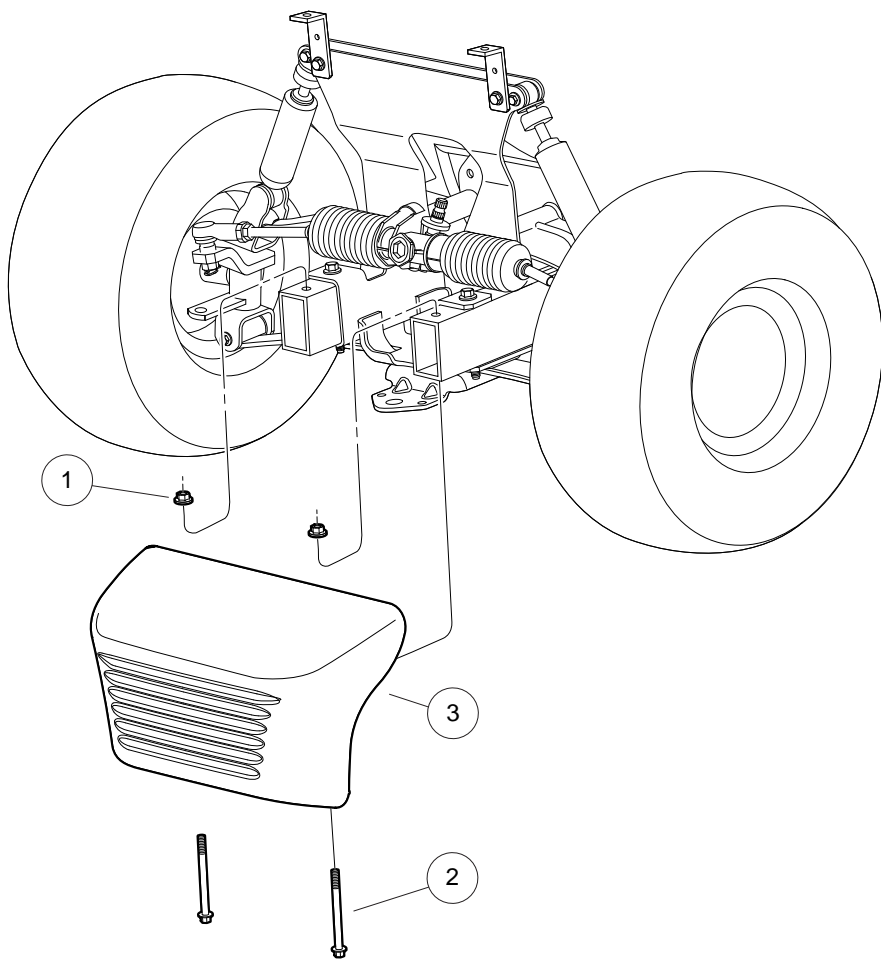
SECTION i – INDEX

BODY AND TRIM

1

G

E



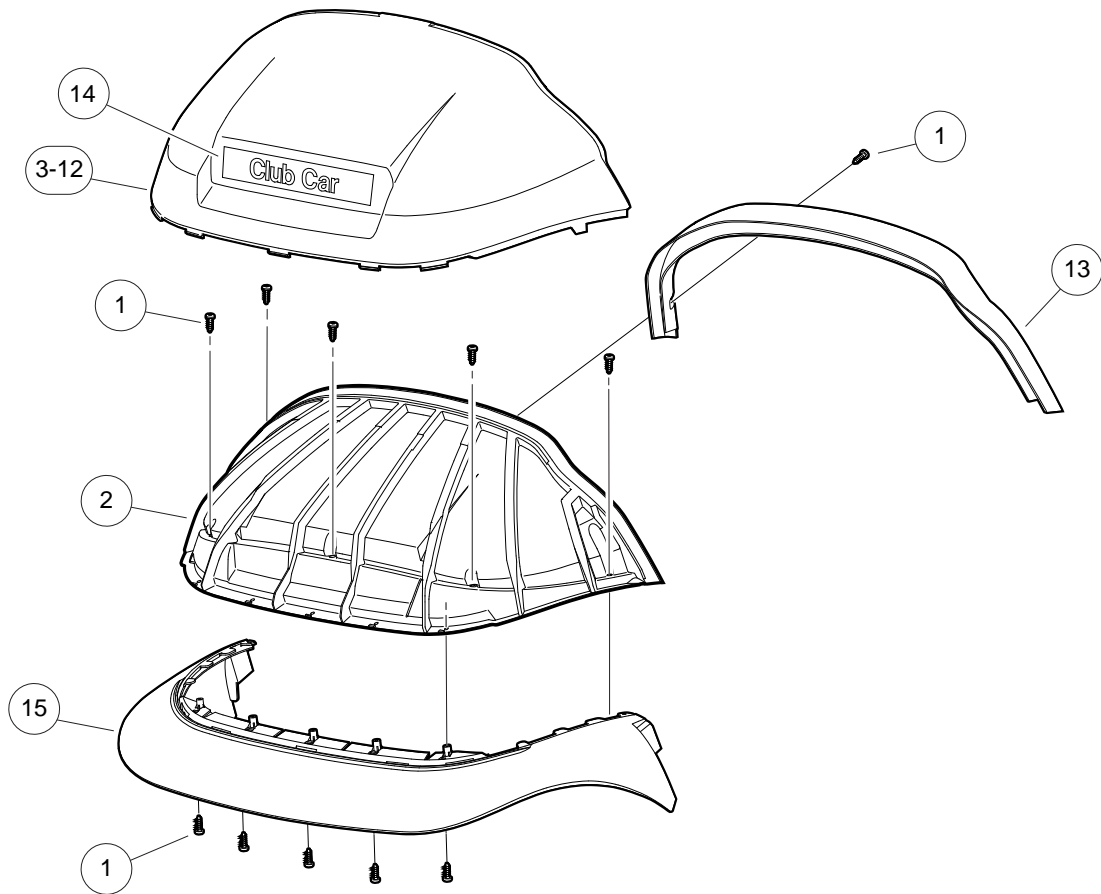
000437-001

FRONT BUMPER

| ITEM | PART NO. | DESCRIPTION | QTY |
|------|-----------|--|-----|
| 1 | 102298401 | 1 2 3 4 Nut,m8,all Metal Lock | 2 |
| 2 | 102534201 | Bolt - Fl Hd, M8 X 95 | 2 |
| 3 | 103330601 | Asm, Bumper, Front, Precedent | 1 |

1
G
E

1
G
E

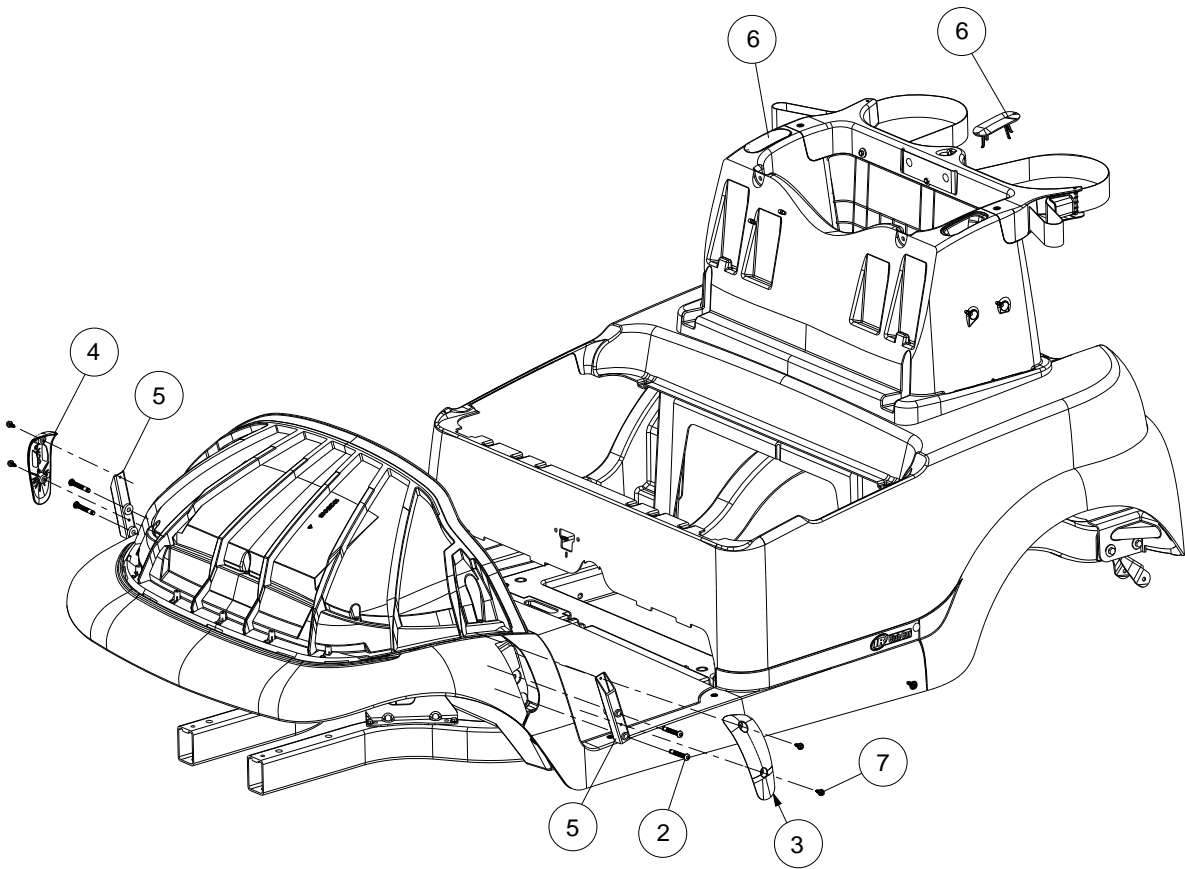


000434-002

FRONT BODY

| ITEM | PART NO. | DESCRIPTION | QTY |
|------|-----------|--------------------------------------|-----|
| | | 1 2 3 4 | |
| 1 | 102296020 | Screw, Torx Pan Hd Pt, M6 X 20 | 14 |
| 2 | 102501501 | Brow | 1 |
| 3 | 102502401 | Panel, Beauty Front, White | 1 |
| 4 | 102502402 | Panel, Beauty Front, Beige | 1 |
| 5 | 102502404 | Panel, Beauty Front, Gray | 1 |
| 6 | 102502405 | Panel, Beauty Front, Red | 1 |
| 7 | 102502406 | Panel, Beauty Front, Burgundy | 1 |
| 8 | 102502407 | Panel, Beauty Front, Green | 1 |
| 9 | 102502408 | Panel, Beauty Front, Blue | 1 |
| 10 | 102502409 | Panel, Beauty Front, Black | 1 |
| 11 | 102502411 | Panel, Beauty, Front, Cayenne | 1 |
| 12 | 102502413 | Panel-beauty Front, Atlantic | 1 |
| 13 | 102502501 | Brow Cap | 1 |
| 14 | 102502601 | Nameplate-cs | 1 |
| 15 | 102534404 | Fascia, Blk | 1 |

1
G
E

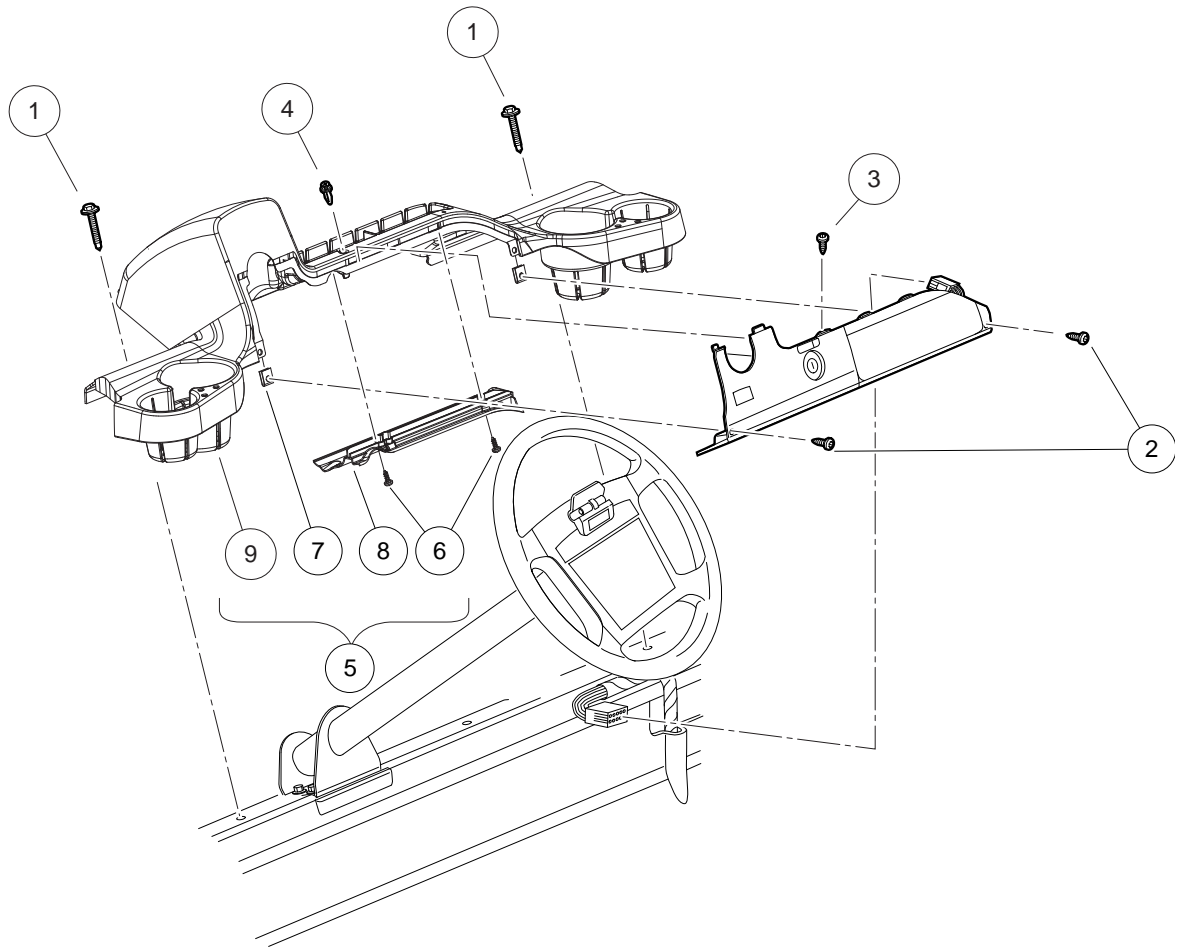


000730-001

UNDERBODY COVERS (VEHICLE WITHOUT CANOPY)

| ITEM | PART NO. | DESCRIPTION | QTY |
|------|-----------|--|-----|
| | | 1 2 3 4 | |
| 1 | 102543902 | Kit, Underbody Cover, Black (includes items 2 through 7) | 1 |
| 2 | 102299065 | M8-1.25 X 65 Tx Bttn Hd Bolt | 4 |
| 3 | 102400202 | Cover, Lh Non-canopy, Blk | 1 |
| 4 | 102400302 | Cover, Rh Non-canopy, Blk | 1 |
| 5 | N/A | Support, Strut Cover | 2 |
| 6 | N/A | SAM Cap | 2 |
| 7 | 102544201 | Screw, M6 Hex | 4 |

1
G
E



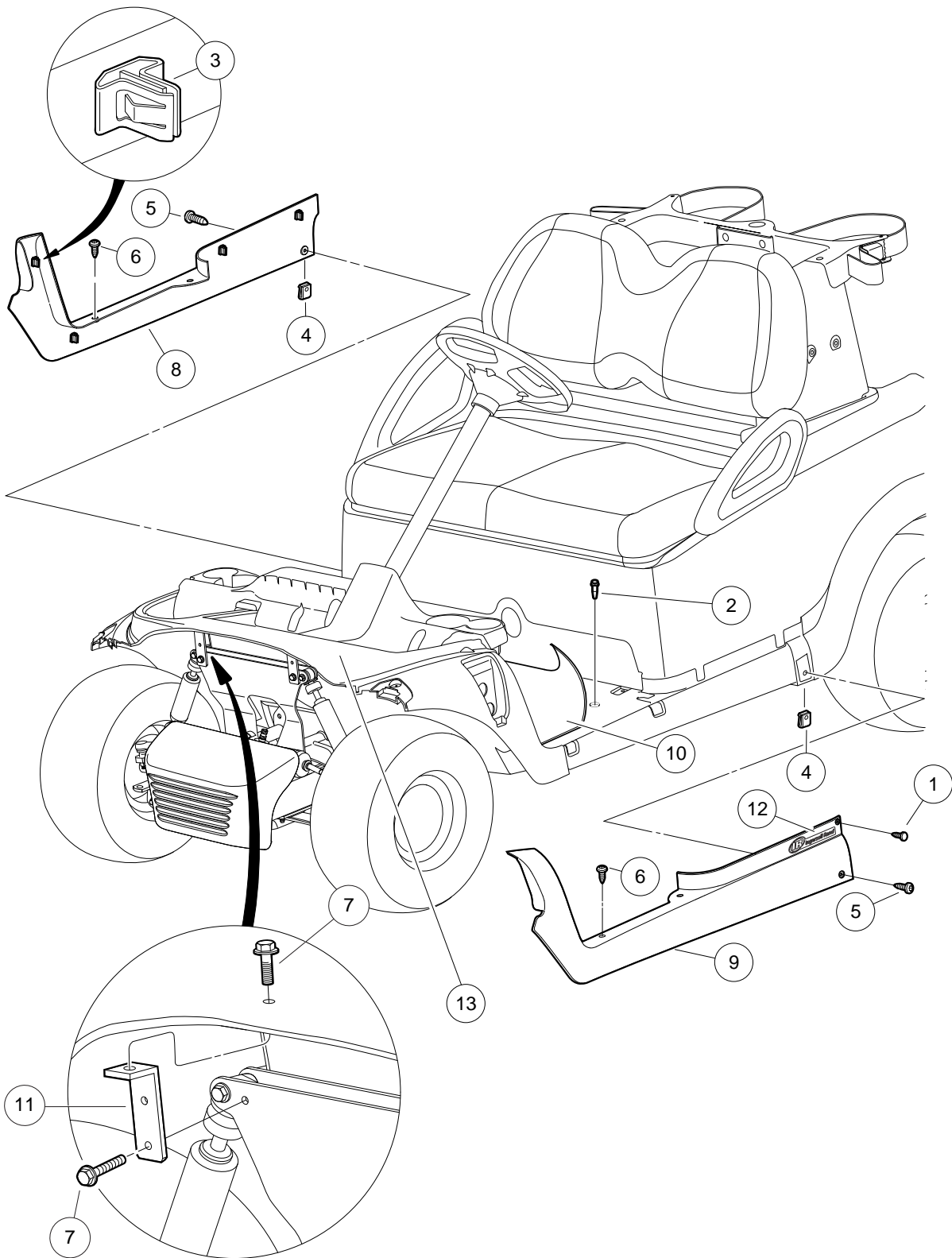
000438-002

DASH

| ITEM | PART NO. | DESCRIPTION | QTY |
|------|-----------|--|-----|
| | | 1 2 3 4 | |
| 1 | 102292356 | Screw-1/4-20x56 Hwh Self Drill | 2 |
| 2 | 102296819 | Screw-m6 X 19-pnhd Ab | 2 |
| 3 | 102557201 | Screw, #6-20 Type Abx1.00 Pan | 1 |
| 4 | 102915601 | Plastic Rivet - Tuflock | 1 |
| 5 | 103402701 | Dash Assembly, Prec (includes items 6 through 9) | 1 |
| 6 | N/A | Screw-torx Pan Hd Pt,m6 X 16 | 2 |
| 7 | 102297001 | U-nut, 1/4" Type Ab | 2 |
| 8 | N/A | Drain Channel - Dash | 1 |
| 9 | N/A | Dash, Prec | 1 |

1
G
E

1
G
E



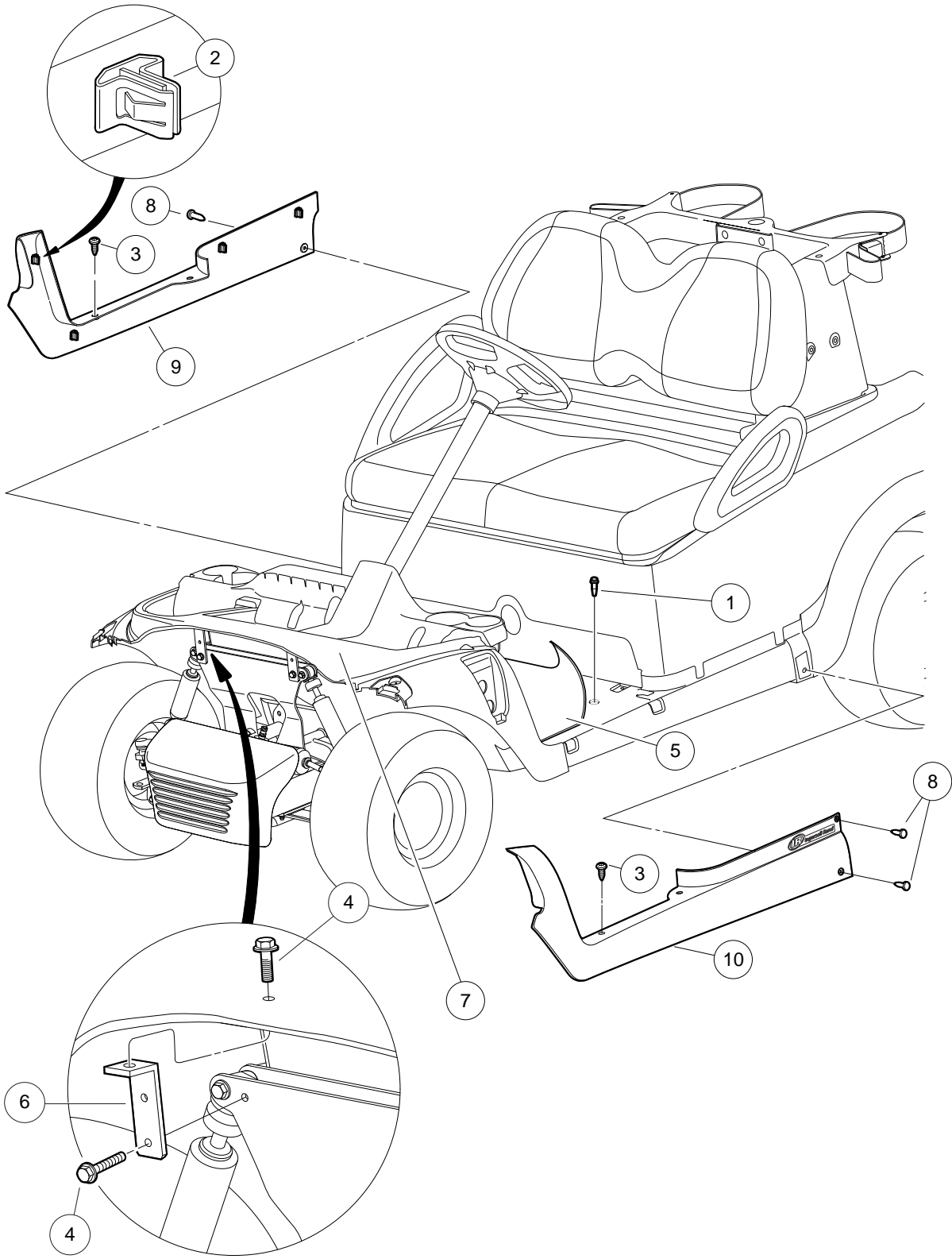
000497-001

FLOOR MAT, RETAINERS, AND FRONT UNDERBODY-STYLE A RETAINERS

| ITEM | PART NO. | DESCRIPTION | QTY |
|---|-----------|--------------------------------------|-----|
| | | 1 2 3 4 | |
| 1 | 1010434 | Barrel - Plastic | 2 |
| 2 | 102292356 | Screw-1/4-20x56 Hwh Self Drill | 3 |
| 3 | 102292701 | Clip-body-trim | 8 |
| 4 | 102296601 | U-nut, M6-1.0 Prev Torque | 2 |
| 5 | 102296920 | Screw, M6 Torx Bttm Hd Sems | 2 |
| 6 | 102298020 | Screw, K80x20, Torx Pn Hd Pt | 4 |
| 7 | 102298716 | M8-1.25x16 Taptite | 4 |
| 8 | 102302504 | Retainer Asm-floormat Rh, Blk | 1 |
| 9 | 102302604 | Retainer Asm-floormat Lh, Blk | 1 |
| 10 | 102504802 | Floormat, Precedent | 1 |
| 11 | 102521901 | Bracket-clamshell | 2 |
| 12 | 102523901 | Decal, IR/Club Car | 2 |
| 13 | **** | Asm-front Underbody, Black | 1 |
| **** Special order item available upon request. | | | |

1
G
E

1
G
E



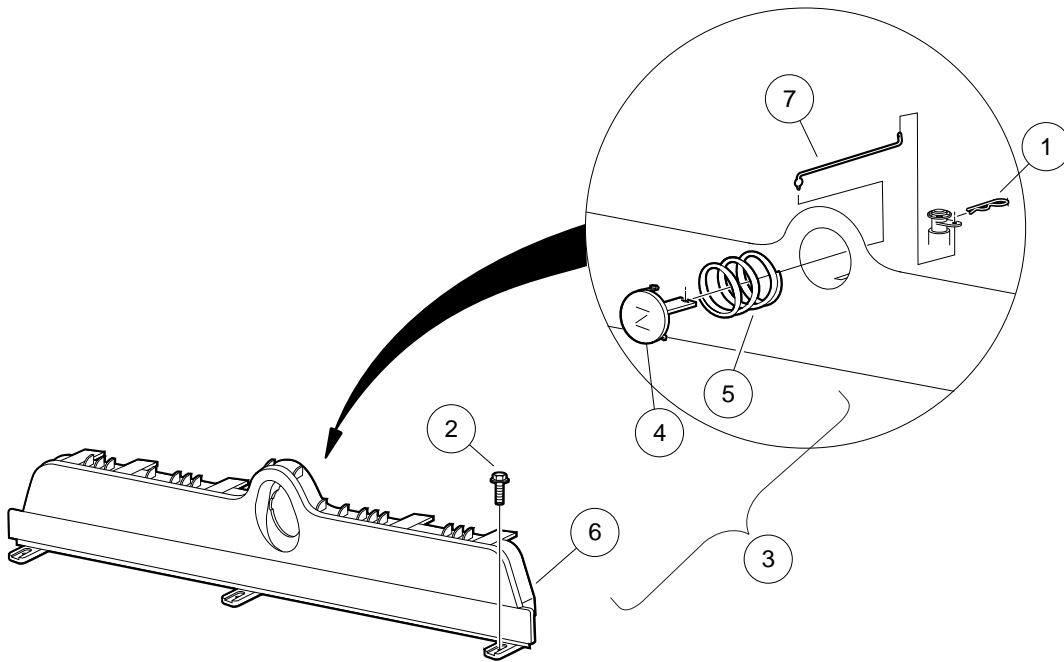
000497-004

FLOOR MAT, RETAINERS, AND FRONT UNDERBODY – STYLE B RETAINERS

| ITEM | PART NO. | DESCRIPTION | QTY |
|--|-----------|--------------------------------------|-----|
| | | 1 2 3 4 | |
| 1 | 102292356 | Screw-1/4-20x56 Hwh Self Drill | 3 |
| 2 | 102292701 | Clip-body-trim | 8 |
| 3 | 102298020 | Screw, K80x20, Torx Pn Hd Pt | 4 |
| 4 | 102298716 | M8-1.25x16 Taptite | 4 |
| 5 | 102504802 | Floormat, Precedent | 1 |
| 6 | 102521901 | Bracket-clamshell | 2 |
| 7 | **** | Asm-front Underbody, Black | 1 |
| 8 | 103540101 | Barrel, Plastic, Black | 4 |
| 9 | 103678001 | Floormat Retainer Asm, Rh, Blk | 1 |
| 10 | 103678101 | Floormat Retainer Asm, Lh, Blk | 1 |
| <p style="margin-left: 40px;">**** Special order item available upon request.</p> <p style="margin-left: 40px;">Note: Style B floormat retainers have an embossed IR logo. Retainer hardware change from Style A to Style B occurred independently of the retainer change.</p> | | | |

1
G
E

1
G
E

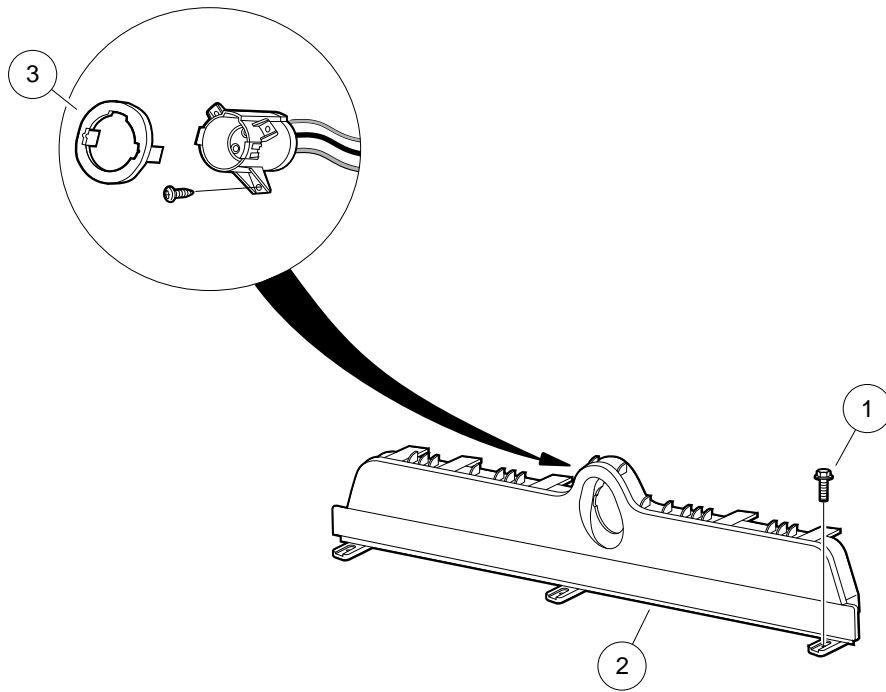


000501-001

KICK PLATE – GASOLINE VEHICLE

| ITEM | PART NO. | DESCRIPTION | QTY |
|------|-----------|--|-----|
| | | 1 2 3 4 | |
| 1 | 1014413 | Pin, Hair Spring Cotter | 1 |
| 2 | 102298030 | Screw, K80x30, Torx Pn Hd Pt | 3 |
| 3 | 102511702 | Asm-gas Kick Plate, Blk (includes items 4 through 6) | 1 |
| 4 | 101811401 | Lever, Choke | 1 |
| 5 | 101856201 | Compression Spring | 1 |
| 6 | N/A | Plate - Gas Kick, Blk | 1 |
| 7 | 102514401 | Rod, Choke Button | 1 |

1
G
E



000500-001

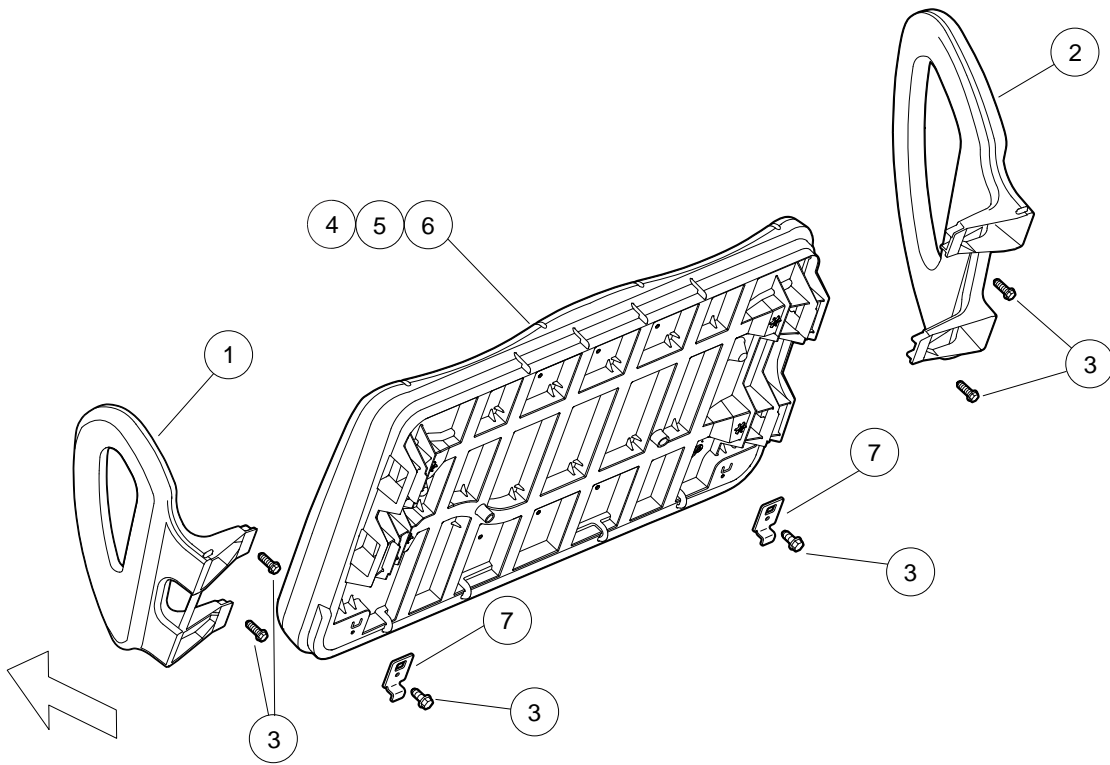
KICK PLATE – ELECTRIC VEHICLE

| ITEM | PART NO. | DESCRIPTION | QTY |
|------|-----------|------------------------------------|-----|
| | | 1 2 3 4 | |
| 1 | 102298030 | Screw, K80x30, Torx Pn Hd Pt | 3 |
| 2 | 102508202 | Plate - Electric Kick Blk | 1 |
| 3 | 102516901 | Socket Trim | 1 |

1

G

E



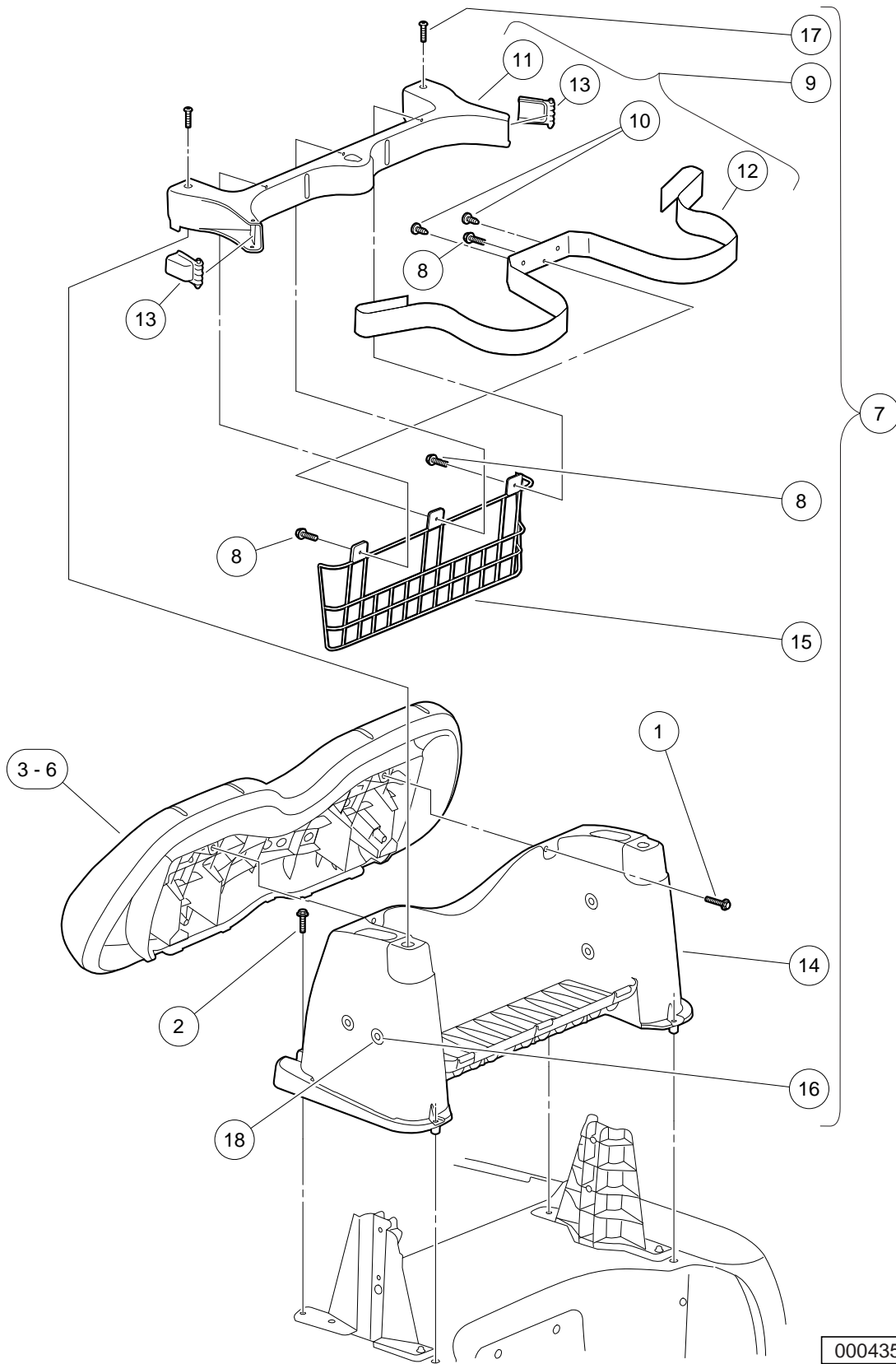
000440-002

SEAT BOTTOM WITH HIP RESTRAINTS

| ITEM | PART NO. | DESCRIPTION | QTY |
|------|-----------|-----------------------------------|-----|
| | | 1 2 3 4 | |
| 1 | 102562701 | Hip Restraint, Prec, Lh | 1 |
| 2 | 102562801 | Hip Restraint, Prec, Rh | 1 |
| 3 | 102562901 | Screw, Seat Bottom Prec | 6 |
| 4 | 103423001 | Seat Bottom Asy, Prec-beige | 1 |
| 5 | 103423002 | Seat Bottom Asy, Prec-white | 1 |
| 6 | 103423004 | Seat Bottom Asy, Prec-gray | 1 |
| 7 | 103447901 | Bracket, Hinge, Male, Prec | 2 |

1
G
E

1
G
E



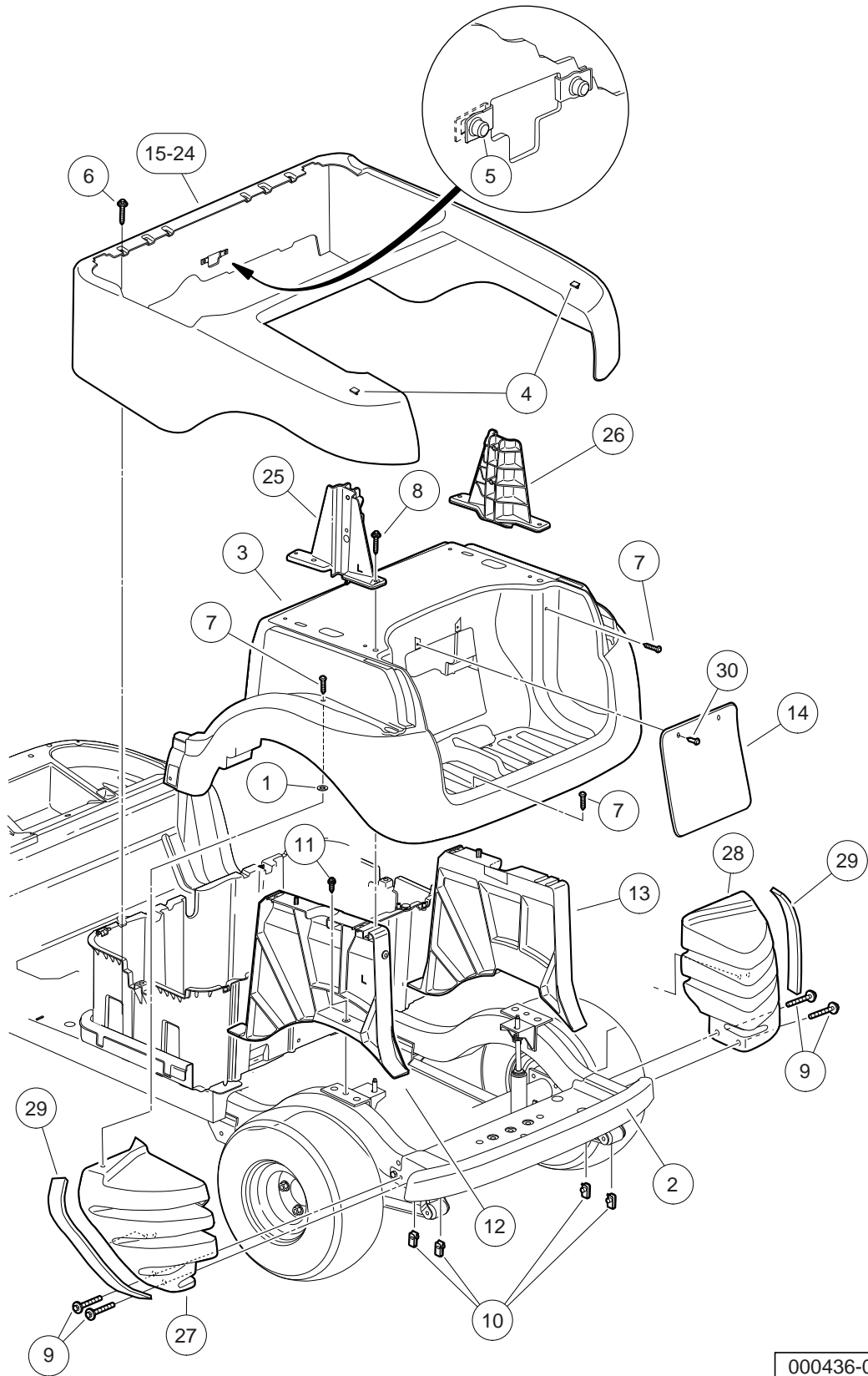
000435-001

BACKREST AND STRUCTURAL ACCESSORY MODULE (SAM)

| ITEM | PART NO. | DESCRIPTION | QTY |
|------|-----------|---|-----|
| | | 1 2 3 4 | |
| 1 | 102296530 | Screw - M6 X 1.0 X 30 Sems | 2 |
| 2 | 102298240 | Bolt, Flange Head, M8-1.25 X 40 | 4 |
| 3 | 102503221 | Service Backrest Asm, Beige | 1 |
| 4 | 102503222 | Service Backrest Asm, White | 1 |
| 5 | 102503224 | Service Backrest Asm, Gray | 1 |
| 6 | 102503225 | Service Backrest Asm-black | 1 |
| 7 | 102503901 | Asm-sam (includes items 8 through 17) | 1 |
| 8 | 102297125 | Screw M6-1.0x25.4 Thd Fm Sems | 3 |
| 9 | 102504001 | Asm-bag Hoop (includes items 10 through 13) | 1 |
| 10 | 1010434 | Barrel - Plastic | 2 |
| 11 | 102504201 | Hoop-bag | 1 |
| 12 | 102504301 | Strap, Bag | 1 |
| 13 | 102517001 | Buckle-bag Strap | 2 |
| 14 | N/A | Structural Accessory Module | 1 |
| 15 | 102504501 | Panel, SAM | 1 |
| 16 | 102551701 | Insert M6x1.0 | 4 |
| 17 | 103327601 | Screw, 5/16, Torx, Bosscrew | 2 |
| 18 | 102568701 | Barrel - Plastic 6mm | 8 |

1
G
E

1
G
E



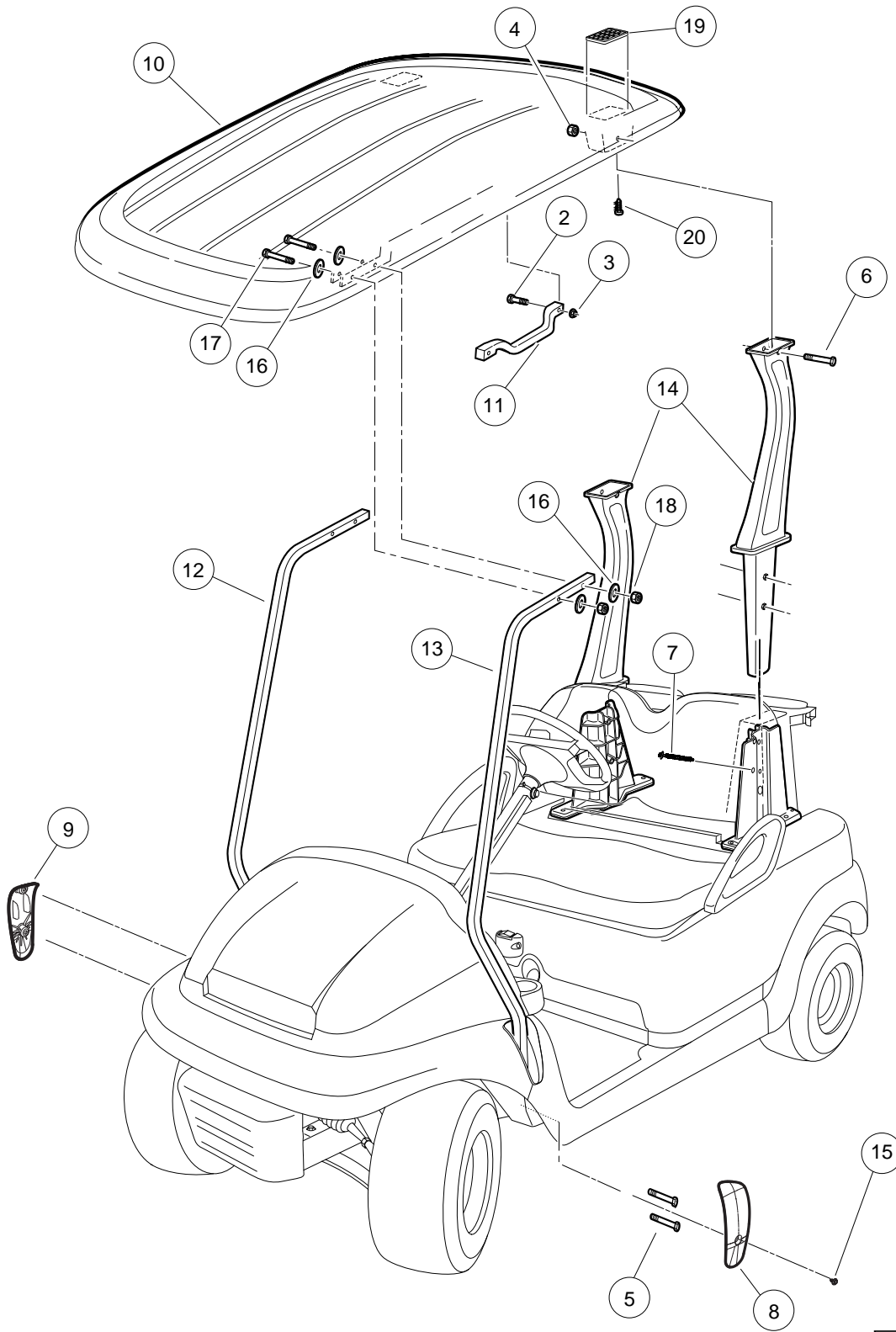
000436-004

REAR BODY

| ITEM | PART NO. | DESCRIPTION | QTY |
|------|-----------|---|-----|
| | | 1 2 3 4 | |
| 1 | 1012571 | Washer, 5/16 Extra Thick Flat | 2 |
| 2 | 102279001 | Rear Bumper Beam | 1 |
| 3 | 102279104 | Underbody - Rear, Blk | 1 |
| 4 | 102292701 | Clip-body-trim | 2 |
| 5 | 102296601 | U-nut, M6-1.0 Prev Torque | 2 |
| 6 | 102297230 | Screw,m6,torx,interlock,thread | 4 |
| 7 | 102298030 | Screw, K80x30, Torx Pn Hd Pt | 4 |
| 8 | 102298240 | Bolt, Flange Head, M8-1.25 X 40 | 2 |
| 9 | 102298580 | M8-1.25 X 80 Sems | 4 |
| 10 | 102298601 | J-clip - M8 X 1.25 | 4 |
| 11 | 102298716 | M8-1.25x16 Taptite | 2 |
| 12 | 102500501 | Asm, Rear U/b Support, Lh | 1 |
| 13 | 102500601 | Asm, Rear U/b Support, Rh | 1 |
| 14 | 102501402 | Panel, Access, Black | 1 |
| 15 | 102502301 | Panel, Beauty, Rear, White | 1 |
| 16 | 102502302 | Panel, Beauty, Rear, Beige | 1 |
| 17 | 102502304 | Panel, Beauty, Rear, Gray | 1 |
| 18 | 102502305 | Panel, Beauty, Rear, Red | 1 |
| 19 | 102502306 | Panel, Beauty, Rear, Burgundy | 1 |
| 20 | 102502307 | Panel, Beauty, Rear, Green | 1 |
| 21 | 102502308 | Panel, Beauty, Rear, Blue | 1 |
| 22 | 102502309 | Panel, Beauty, Rear, Black | 1 |
| 23 | 102502311 | Panel-beauty Rear, Cayenne | 1 |
| 24 | 102502313 | Panel-beauty Rear, Atlantic | 1 |
| 25 | 102502901 | Bracket, Canopy Support Left-Hand | 1 |
| 26 | 102503001 | Bracket, Canopy Support Right-Hand | 1 |
| 27 | 102545601 | Liner, Rear Underbody Lh | 1 |
| 28 | 102545602 | Liner, Rear Underbody Right-Hand | 1 |
| 29 | 102562101 | Tape, Foam Black 12" * | 2 |
| 30 | 102967901 | Rivet, Removable, Tuflok 1/4" | 2 |
| | | * Note: Sold by the foot, 12 inches required per side | |

1
G
E

1
G
E



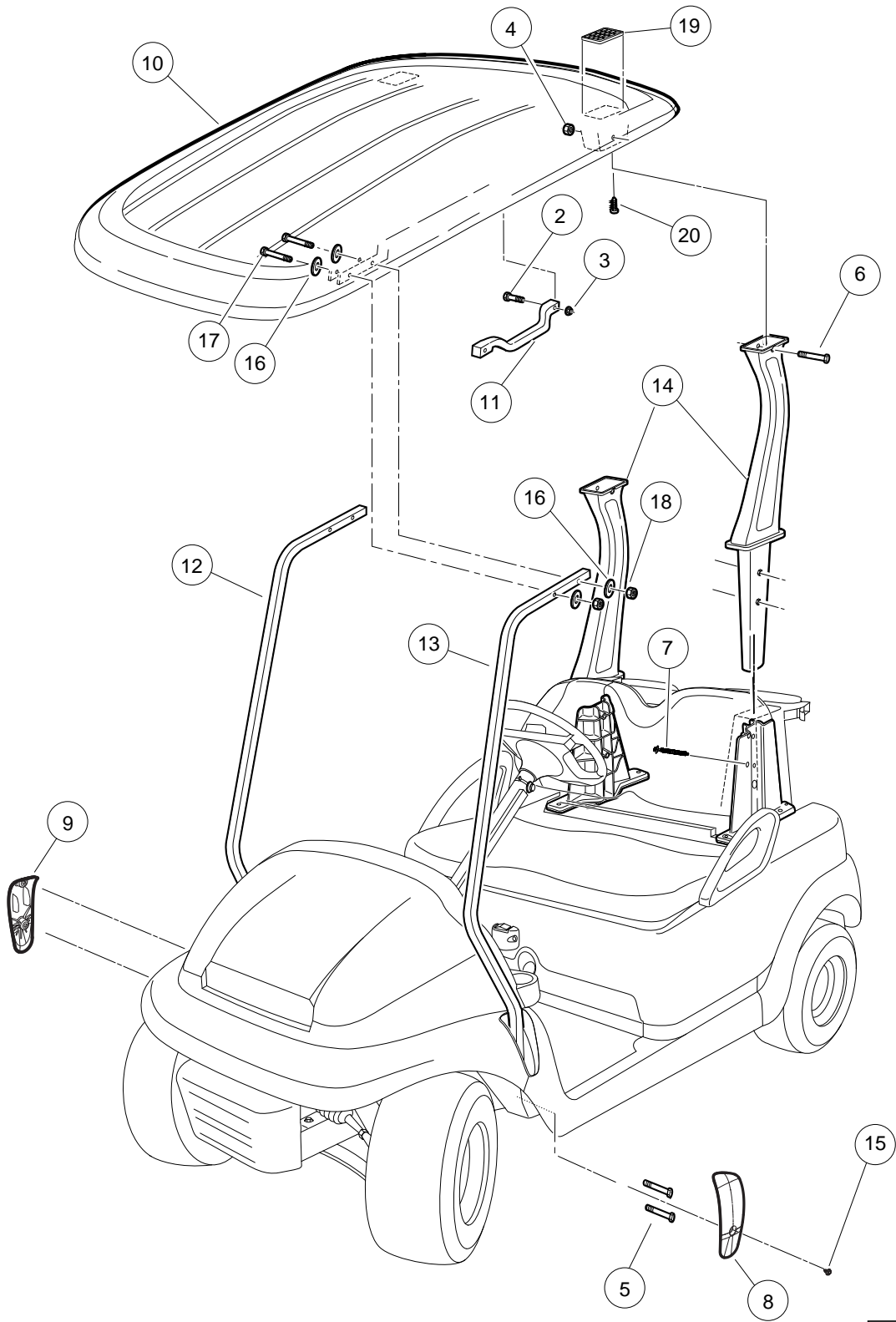
000439-003

CANOPY – BEIGE

| ITEM | PART NO. | DESCRIPTION | QTY |
|------|-----------|--|-----|
| | | 1 2 3 4 | |
| 1 | 102520702 | Kit-canopy, Prec-beige (includes items 2 through 20) | 1 |
| 2 | 102296140 | Bolt, Flanged Head, M6x1.0x40 | 4 |
| 3 | 102296401 | Nut-m6x1.0 Flng All Mtl Lock | 4 |
| 4 | 102298401 | Nut,m8,all Metal Lock | 2 |
| 5 | 102299065 | M8-1.25 X 65 Tx Bttm Hd Bolt | 4 |
| 6 | 102299360 | Screw, M8-1.25 X 60, Sems, Tx | 2 |
| 7 | 102299601 | Screw, Pt, K80x70 Hex Flg Hd | 2 |
| 8 | 102400002 | Cover, Lh Canopy Support, Blk | 1 |
| 9 | 102400102 | Cover, Rh Canopy Support, Blk | 1 |
| 10 | 102508902 | Canopy-beige | 1 |
| 11 | 102511602 | Handle, Canopy (Beige) | 2 |
| 12 | 102512401 | Support, Canopy Front, Right-Hand | 1 |
| 13 | 102513301 | Support, Canopy Front Left-Hand | 1 |
| 14 | 102513501 | Asm-rear Canopy Support | 2 |
| 15 | 102544201 | Screw, M6 Hex | 2 |
| 16 | 103196001 | Washer, Conical Spring, Canopy | 8 |
| 17 | 103199301 | Bolt - M6 X 1 X 45 Hh Grey | 4 |
| 18 | 103200301 | Nut, M6 x 1.00 | 4 |
| 19 | 103205101 | Cover, Drain, Canopy, Precedent | 2 |
| 20 | 103210101 | Screw, #8 X.75, Torx, Tapping | 2 |

1
G
E

1
G
E



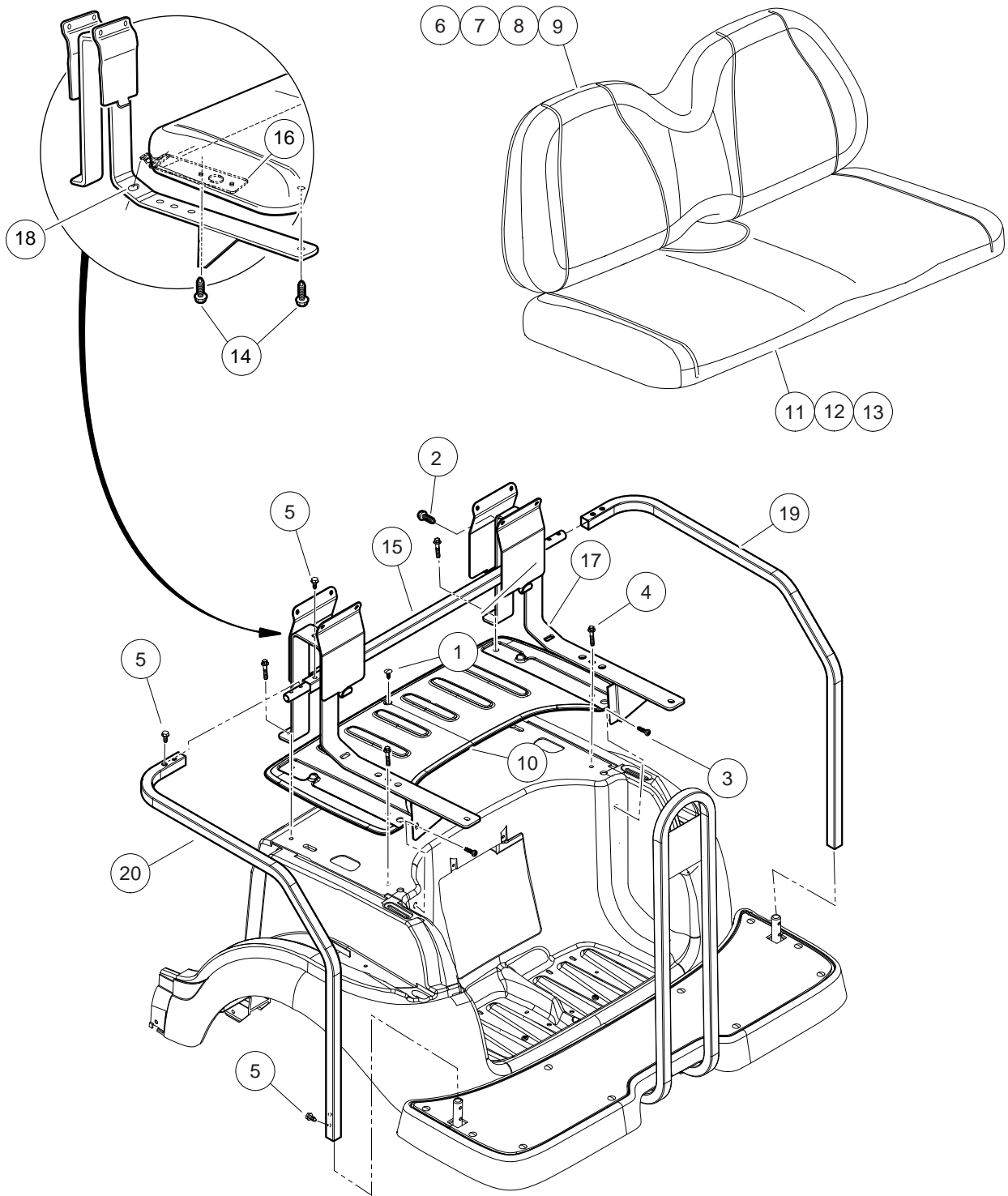
000439-003

CANOPY – WHITE

| ITEM | PART NO. | DESCRIPTION | QTY |
|------|-----------|--|-----|
| | | 1 2 3 4 | |
| 1 | 102520701 | Kit-canopy, Prec-white (includes items 2 through 20) | 1 |
| 2 | 102296140 | Bolt, Flanged Head, M6x1.0x40 | 4 |
| 3 | 102296401 | Nut-m6x1.0 Flng All Mtl Lock | 4 |
| 4 | 102298401 | Nut,m8,all Metal Lock | 2 |
| 5 | 102299065 | M8-1.25 X 65 Tx Bttm Hd Bolt | 4 |
| 6 | 102299360 | Screw, M8-1.25 X 60, Sems, Tx | 2 |
| 7 | 102299601 | Screw, Pt, K80x70 Hex Flg Hd | 2 |
| 8 | 102400002 | Cover, Lh Canopy Support, Blk | 1 |
| 9 | 102400102 | Cover, Rh Canopy Support, Blk | 1 |
| 10 | 102508901 | Canopy-white | 1 |
| 11 | 102511601 | Handle, Canopy (White) | 2 |
| 12 | 102512401 | Support, Canopy Front, Right-Hand | 1 |
| 13 | 102513301 | Support, Canopy Front Left-Hand | 1 |
| 14 | 102513501 | Asm-rear Canopy Support | 1 |
| 15 | 102544201 | Screw, M6 Hex | 2 |
| 16 | 103196001 | Washer, Conical Spring, Canopy | 8 |
| 17 | 103199301 | Bolt - M6 X 1 X 45 Hh Grey | 4 |
| 18 | 103200301 | Nut, M6 x 1.00 | 4 |
| 19 | 103205101 | Cover, Drain, Canopy, Precedent | 2 |
| 20 | 103210101 | Screw, #8 X.75, Torx, Tapping | 2 |

1
G
E

1
G
E

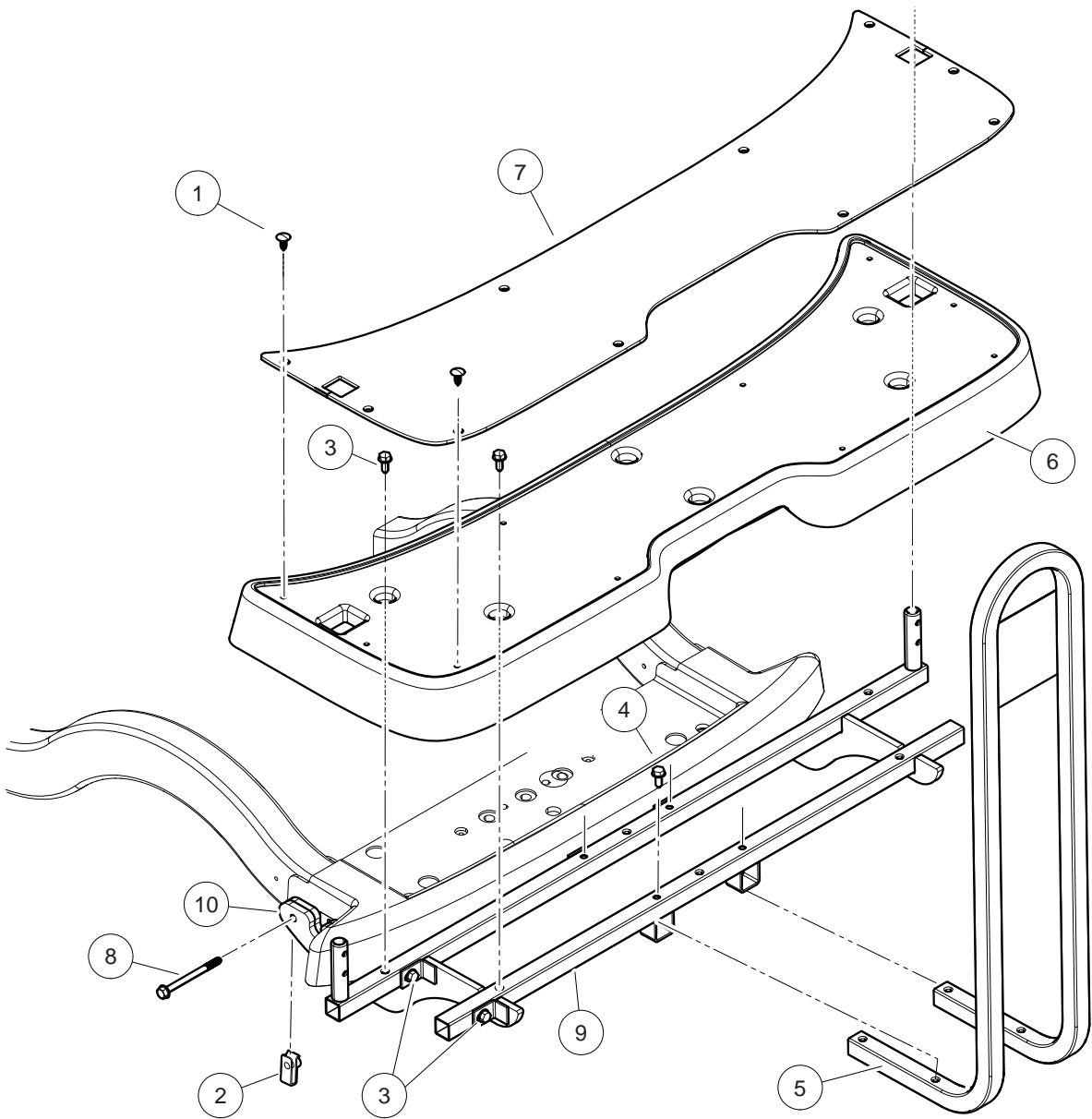


000494-001

REAR SEAT – PRECEDENT VILLAGER 4

| ITEM | PART NO. | DESCRIPTION | QTY |
|------|-----------|--|-----|
| | | 1 2 3 4 | |
| 1 | 1010434 | Barrel - Plastic | 10 |
| 2 | 102296530 | Screw - M6 X 1.0 X 30 Sems | 4 |
| 3 | 102298030 | Screw, K80x30, Torx Pn Hd Pt | 2 |
| 4 | 102298240 | Bolt, Flange Head, M8-1.25 X 40 | 1 |
| 5 | 102298720 | M8-1.25x20 Taptite | 10 |
| 6 | 102503221 | Service Backrest Asm, Beige | 1 |
| 7 | 102503222 | Service Backrest Asm, White | 1 |
| 8 | 102503224 | Service Backrest Asm, Gray | 1 |
| 9 | 102503225 | Service Backrest Asm-black | 1 |
| 10 | 102531501 | Cover, 4-pass Ns1 Underbody | 1 |
| 11 | 102531701 | 4-Passenger Rear Seat Bottom, Beige | 1 |
| 12 | 102531702 | 4-Passenger Rear Seat Bottom, White | 1 |
| 13 | 102531704 | 4-Passenger Rear Seat Bottom, Gray | 1 |
| 14 | 102541425 | Bolt-m6x1.0x25 Hex Flhd, Blk-l | 4 |
| 15 | 102572201 | Connector Tube-hand Rail Asm | 1 |
| 16 | 102573101 | Bracket, 4-pass Lower Seat | 2 |
| 17 | 102574801 | Support-rh 4 Passenger Seat | 1 |
| 18 | 102574901 | Support-lh 4 Passenger Seat | 1 |
| 19 | 102575101 | Restraint- Rh 4-passenger Hip | 1 |
| 20 | 102575201 | Restraint- Lh 4-passenger Hip | 1 |
| | | Note: See also four-passenger kit information. | |

1
G
E



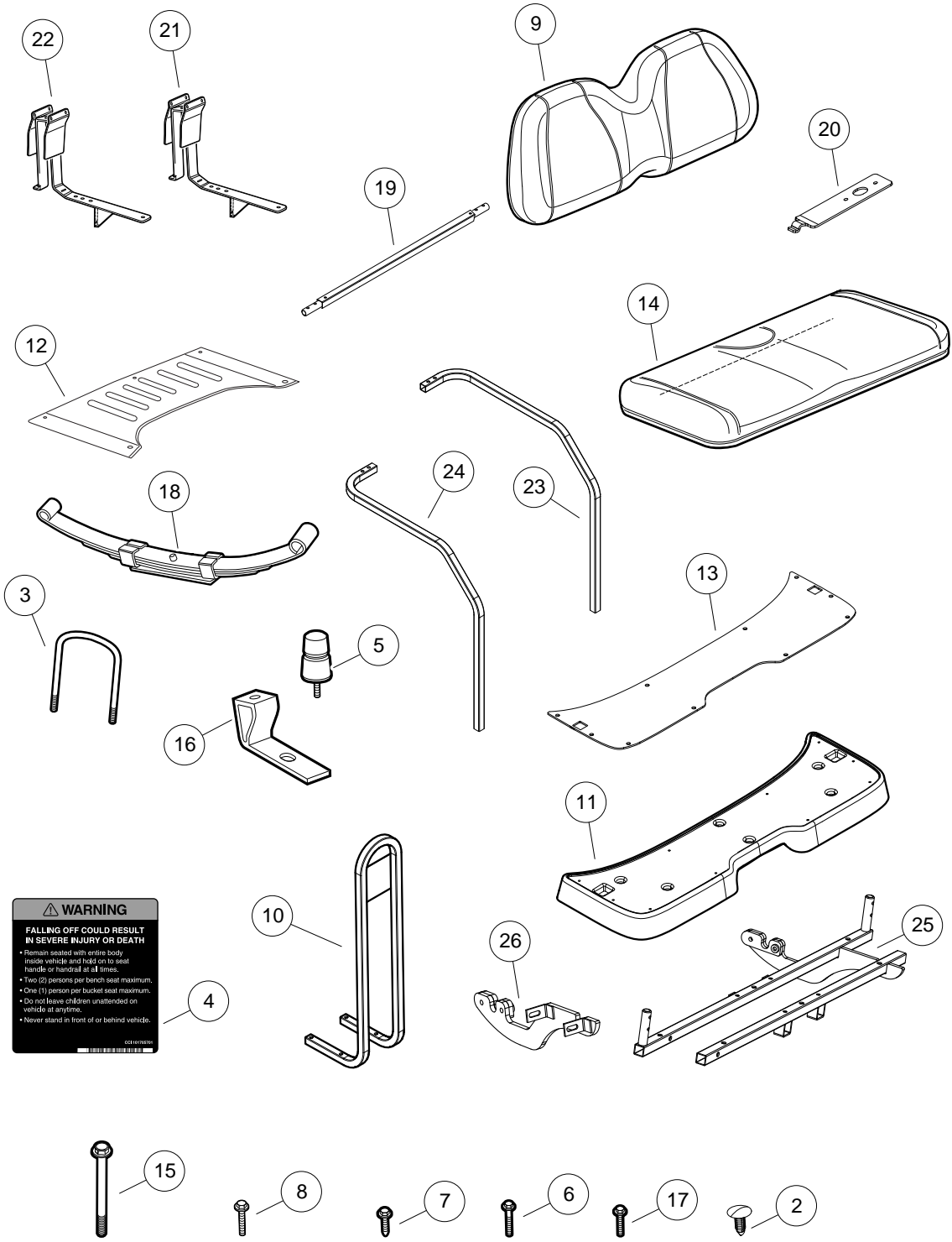
000493-002

REAR FOOTREST ASSEMBLY – PRECEDENT VILLAGER 4

| ITEM | PART NO. | DESCRIPTION | QTY |
|------|-----------|------------------------------------|-----|
| | | 1 2 3 4 | |
| 1 | 1010434 | Barrel - Plastic | 10 |
| 2 | 102298601 | J-clip - M8 X 1.25 | 4 |
| 3 | 102298720 | M8-1.25x20 Taptite | 8 |
| 4 | 102298745 | M8-1.25x45 Taptite | 4 |
| 5 | 102531001 | Handrail Weldment, Rear Seat | 1 |
| 6 | 102531402 | Footdeck, 4-Passenger, Black | 1 |
| 7 | 102531601 | Floor mat, 4-Passenger, Rear | 1 |
| 8 | 102534201 | Bolt - Fl Hd, M8 X 95 | 4 |
| 9 | 102584701 | Weld, 4-pass Footdeck-a | 1 |
| 10 | 102584801 | Weld, 4-pass Footdeck-b | 1 |

1
G
E

1
G
E



⚠ WARNING
FALLING OFF COULD RESULT IN SEVERE INJURY OR DEATH
 • Remain seated with entire body inside vehicle and hold on to seat handle or handrail at all times.
 • Two (2) persons per bench seat maximum.
 • One (1) person per bucket seat maximum.
 • Do not leave children unattended on vehicle at anytime.
 • Never stand in front of or behind vehicle.

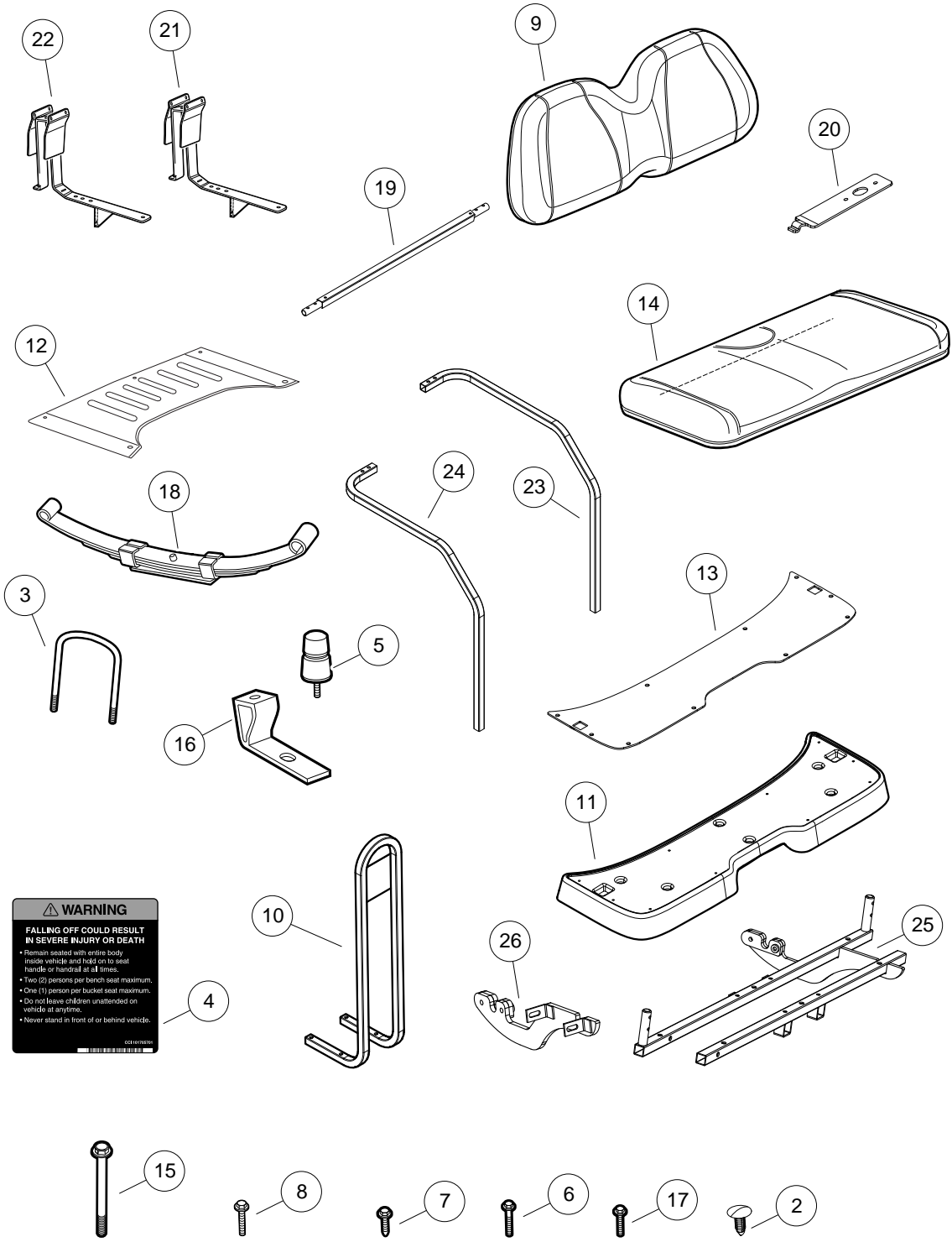
000505-002

FOUR PASSENGER CONVERSION KIT – BEIGE

| ITEM | PART NO. | DESCRIPTION | QTY |
|------|-----------|--|-----|
| | | 1 2 3 4 | |
| 1 | 102570901 | Kit-4-pass, Prec, Std, Beige (includes items 2 through 26) | 1 |
| 2 | 1010434 | Barrel - Plastic | 11 |
| 3 | 1014902 | U-Bolt | 2 |
| 4 | 101705701 | Decal, Warning | 1 |
| 5 | 1017235 | Bumper, Jounce | 2 |
| 6 | 102296530 | Screw - M6 X 1.0 X 30 Sems | 4 |
| 7 | 102298720 | M8-1.25x20 Taptite | 18 |
| 8 | 102298745 | M8-1.25x45 Taptite | 4 |
| 9 | 102503221 | Service Backrest Asm, Beige | 1 |
| 10 | 102531001 | Handrail Weldment, Rear Seat | 1 |
| 11 | 102531402 | Footdeck, 4-Passenger, Black | 1 |
| 12 | 102531501 | Cover, 4-pass Ns1 Underbody | 1 |
| 13 | 102531601 | Floormat, 4-Passenger, Rear | 1 |
| 14 | 102531701 | 4-Passenger Rear Seat Bottom, Beige | 1 |
| 15 | 102534201 | Bolt - Fl Hd, M8 X 95 | 4 |
| 16 | 102534801 | Jounce Bumper Bracket | 2 |
| 17 | 102541425 | Bolt-m6x1.0x25 Hex Flhd, Blk-l | 6 |
| 18 | 102544901 | Spring, Leaf, Rear | 2 |
| 19 | 102572201 | Connector Tube-hand Rail Asm | 1 |
| 20 | 102573101 | Bracket, 4-pass Lower Seat | 2 |
| 21 | 102574801 | Support-rh 4 Passenger Seat | 1 |
| 22 | 102574901 | Support-lh 4 Passenger Seat | 1 |
| 23 | 102575101 | Restraint- Rh 4-passenger Hip | 1 |
| 24 | 102575201 | Restraint- Lh 4-passenger Hip | 1 |
| 25 | 102584701 | Weld, 4-pass Footdeck-a | 1 |
| 26 | 102584801 | Weld, 4-pass Footdeck-b | 1 |

1
G
E

1
G
E



⚠ WARNING
FALLING OFF COULD RESULT IN SEVERE INJURY OR DEATH
 • Remain seated with entire body inside vehicle and hold on to seat handle or handrail at all times.
 • Two (2) persons per bench seat maximum.
 • One (1) person per bucket seat maximum.
 • Do not leave children unattended on vehicle at anytime.
 • Never stand in front of or behind vehicle.

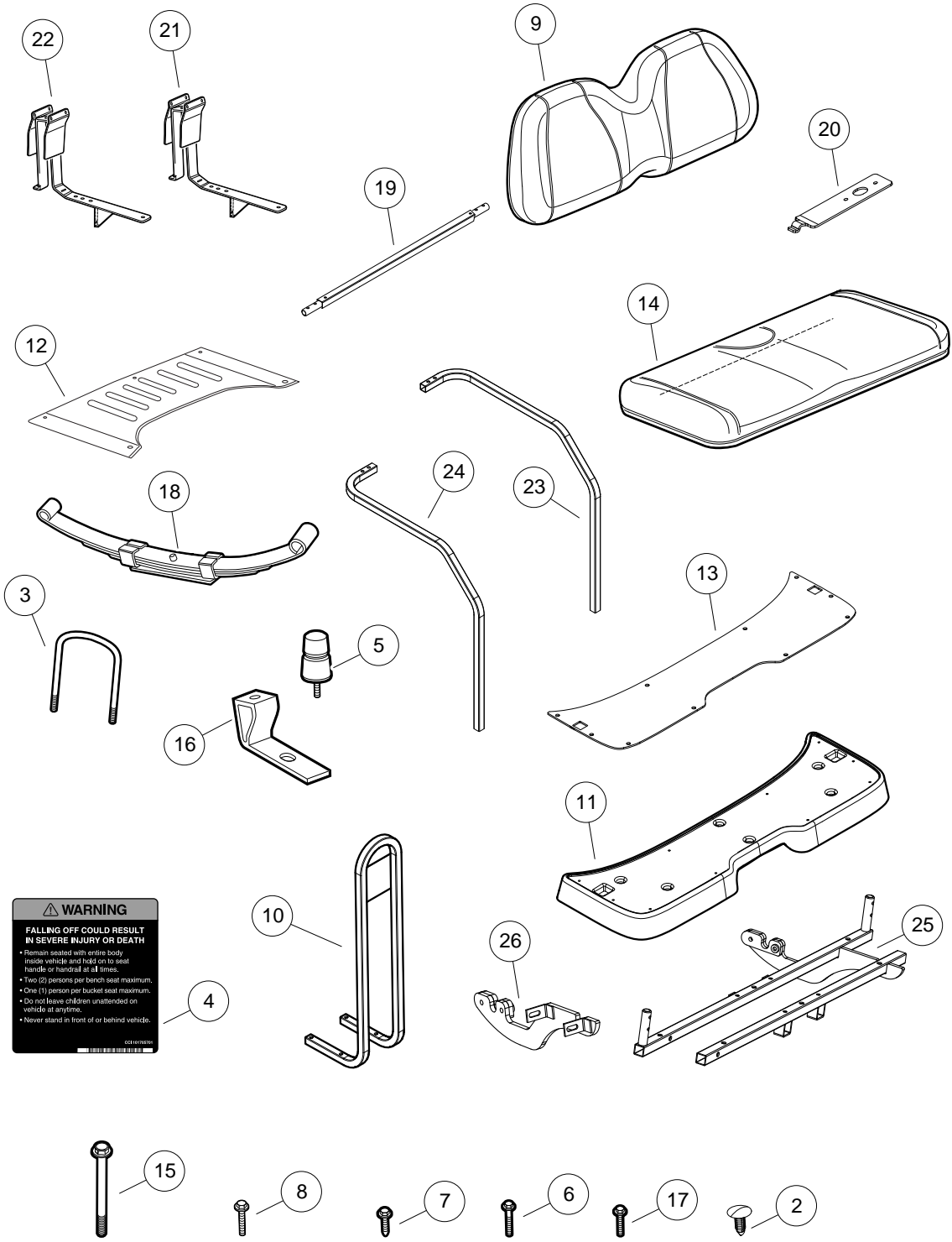
000505-002

FOUR PASSENGER CONVERSION KIT – WHITE

| ITEM | PART NO. | DESCRIPTION | QTY |
|------|-----------|--|-----|
| | | 1 2 3 4 | |
| 1 | 102570902 | Kit-4-pass, Prec, Std, White (includes items 2 through 26) | 1 |
| 2 | 1010434 | Barrel - Plastic | 11 |
| 3 | 1014902 | U-Bolt | 2 |
| 4 | 101705701 | Decal, Warning | 1 |
| 5 | 1017235 | Bumper, Jounce | 2 |
| 6 | 102296530 | Screw - M6 X 1.0 X 30 Sems | 4 |
| 7 | 102298720 | M8-1.25x20 Taptite | 18 |
| 8 | 102298745 | M8-1.25x45 Taptite | 4 |
| 9 | 102503222 | Service Backrest Asm, White | 1 |
| 10 | 102531001 | Handrail Weldment, Rear Seat | 1 |
| 11 | 102531402 | Footdeck, 4-Passenger, Black | 1 |
| 12 | 102531501 | Cover, 4-pass Ns1 Underbody | 1 |
| 13 | 102531601 | Floormat, 4-Passenger, Rear | 1 |
| 14 | 102531702 | 4-Passenger Rear Seat Bottom, White | 1 |
| 15 | 102534201 | Bolt - Fl Hd, M8 X 95 | 4 |
| 16 | 102534801 | Jounce Bumper Bracket | 2 |
| 17 | 102541425 | Bolt-m6x1.0x25 Hex Flhd, Blk-l | 6 |
| 18 | 102544901 | Spring, Leaf, Rear | 2 |
| 19 | 102572201 | Connector Tube-hand Rail Asm | 1 |
| 20 | 102573101 | Bracket, 4-pass Lower Seat | 2 |
| 21 | 102574801 | Support-rh 4 Passenger Seat | 1 |
| 22 | 102574901 | Support-lh 4 Passenger Seat | 1 |
| 23 | 102575101 | Restraint- Rh 4-passenger Hip | 1 |
| 24 | 102575201 | Restraint- Lh 4-passenger Hip | 1 |
| 25 | 102584701 | Weld, 4-pass Footdeck-a | 1 |
| 26 | 102584801 | Weld, 4-pass Footdeck-b | 1 |

1
G
E

1
G
E



⚠ WARNING
FALLING OFF COULD RESULT IN SEVERE INJURY OR DEATH
 • Remain seated with entire body inside vehicle and hold on to seat handle or handrail at all times.
 • Two (2) persons per bench seat maximum.
 • One (1) person per bucket seat maximum.
 • Do not leave children unattended on vehicle at anytime.
 • Never stand in front of or behind vehicle.

000505-002

FOUR PASSENGER CONVERSION KIT – GRAY

| ITEM | PART NO. | DESCRIPTION | QTY |
|------|-----------|--|-----|
| | | 1 2 3 4 | |
| 1 | 102570904 | Kit, 4 Passenger, Precedent, Std, Gray (includes items 2 through 26) | 1 |
| 2 | 1010434 | Barrel - Plastic | 11 |
| 3 | 1014902 | U-Bolt | 2 |
| 4 | 101705701 | Decal, Warning | 1 |
| 5 | 1017235 | Bumper, Jounce | 2 |
| 6 | 102296530 | Screw - M6 X 1.0 X 30 Sems | 4 |
| 7 | 102298720 | M8-1.25x20 Taptite | 18 |
| 8 | 102298745 | M8-1.25x45 Taptite | 4 |
| 9 | 102503224 | Service Backrest Asm, Gray | 1 |
| 10 | 102531001 | Handrail Weldment, Rear Seat | 1 |
| 11 | 102531402 | Footdeck, 4-Passenger, Black | 1 |
| 12 | 102531501 | Cover, 4-pass Ns1 Underbody | 1 |
| 13 | 102531601 | Floormat, 4-Passenger, Rear | 1 |
| 14 | 102531704 | 4-Passenger Rear Seat Bottom, Gray | 1 |
| 15 | 102534201 | Bolt - Fl Hd, M8 X 95 | 4 |
| 16 | 102534801 | Jounce Bumper Bracket | 2 |
| 17 | 102541425 | Bolt-m6x1.0x25 Hex Flhd, Blk-l | 6 |
| 18 | 102544901 | Spring, Leaf, Rear | 2 |
| 19 | 102572201 | Connector Tube-hand Rail Asm | 1 |
| 20 | 102573101 | Bracket, 4-pass Lower Seat | 2 |
| 21 | 102574801 | Support-rh 4 Passenger Seat | 1 |
| 22 | 102574901 | Support-lh 4 Passenger Seat | 1 |
| 23 | 102575101 | Restraint- Rh 4-passenger Hip | 1 |
| 24 | 102575201 | Restraint- Lh 4-passenger Hip | 1 |
| 25 | 102584701 | Weld, 4-pass Footdeck-a | 1 |
| 26 | 102584801 | Weld, 4-pass Footdeck-b | 1 |

1
G
E

1

G

E

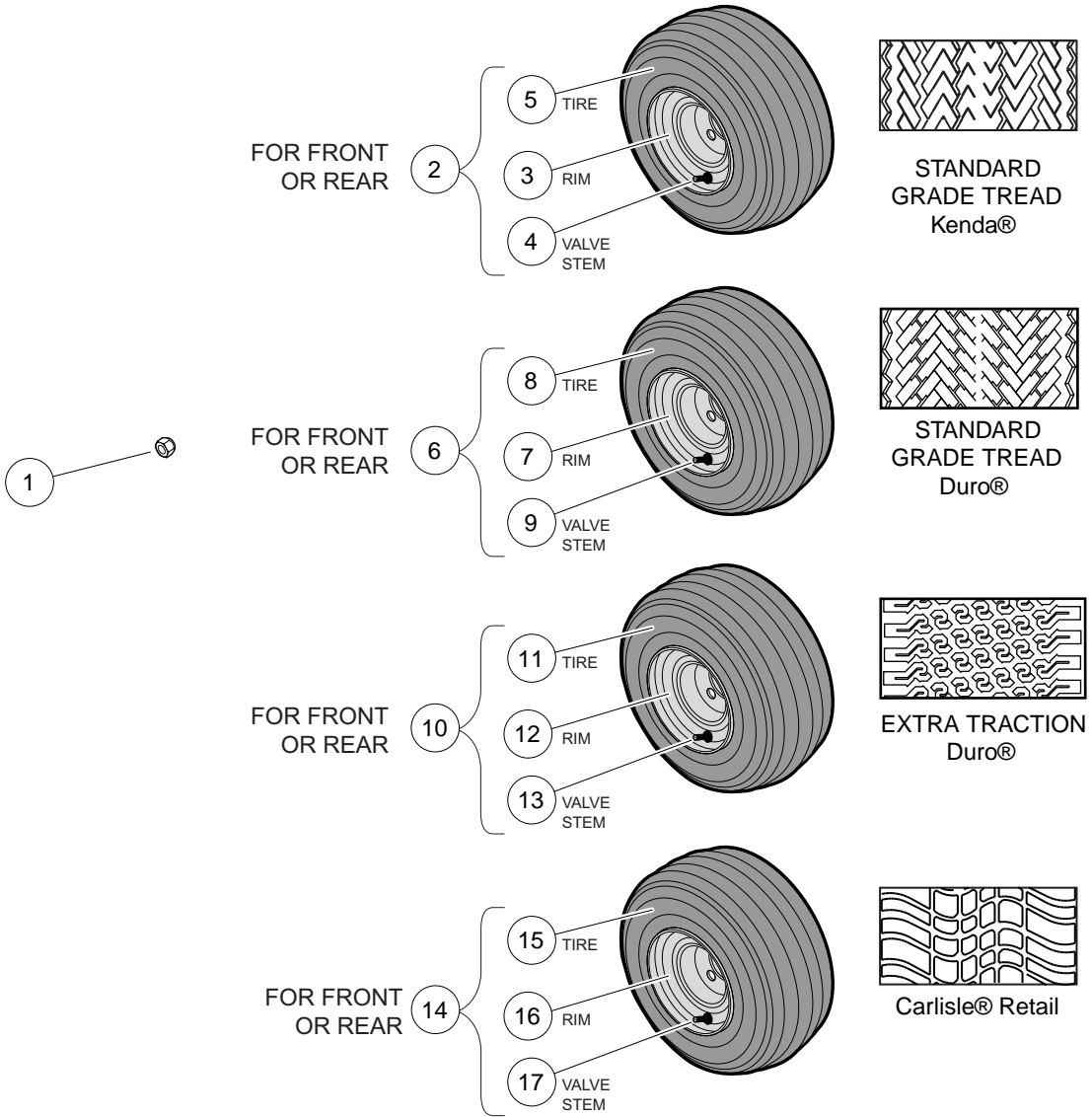
WHEELS AND TIRES

2

G

E

2
G
E

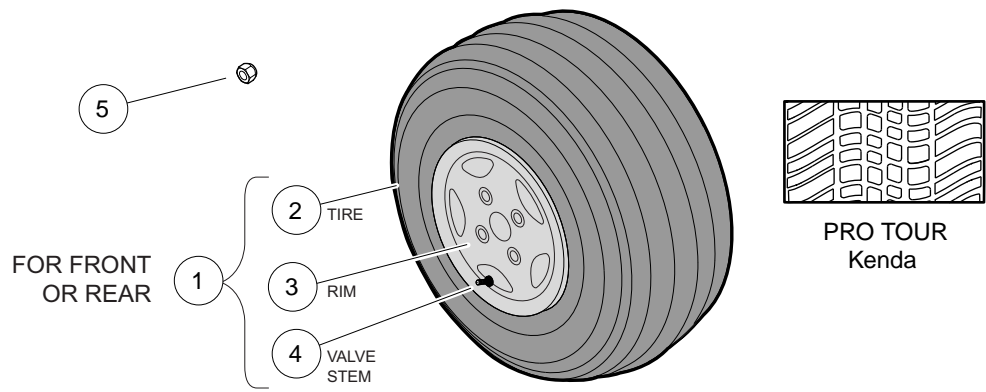


000474-004

WHEELS AND TIRES – PROFESSIONAL AND I2

| ITEM | PART NO. | DESCRIPTION | QTY |
|------|-----------|--|-----|
| | | 1 2 3 4 | |
| 1 | 1010984 | .500-20 Unf Lug Nut | 16 |
| 2 | 102522601 | Asm-Kenda Std Gray (includes items 3 through 5) | 4 |
| 3 | 103459101 | Wheel Rim Asm, 8"x7", Silver | 1 |
| 4 | 7310 | Valve Stem | 1 |
| 5 | AM10682 | Unmounted Prem Tire 18x8.50x8 | 1 |
| 6 | 102522604 | Asm-duro Std Gray (includes items 7 through 9) | 4 |
| 7 | 102557801 | Wheel Rim Asm, 8"X7.000" (Duro rim) | 1 |
| 8 | 102569304 | Duro 18 X 8.5 X 8, 4-Ply | 1 |
| 9 | 7310 | Valve Stem | 1 |
| 10 | 102522605 | Asm-duro Extra Tract Gray (includes items 11 through 13) | 4 |
| 11 | 101769302 | Tire, Unmounted Xtrac 18 x 8.50-8 | 1 |
| 12 | 102557801 | Wheel Rim Asm, 8"X7.000" (Duro rim) | 1 |
| 13 | 7310 | Valve Stem | 1 |
| 14 | 102522609 | Asm-carlisle Retail (includes items 15 through 17) | 4 |
| 15 | 102569309 | Tire-carlisle 18.5x8.5r8 4-ply | 1 |
| 16 | 102594101 | Wheel Rim Asm, 8"X7.000" (Carlisle rim) | 1 |
| 17 | 7310 | Valve Stem | 1 |

2
G
E



000475-004

WHEELS AND TIRES – CHAMPION AND I2L

| ITEM | PART NO. | DESCRIPTION | QTY |
|------|-----------|---|-----|
| | | 1 2 3 4 | |
| 1 | 102540601 | Tire and Wheel, Aluminum (includes items 2 through 4) | 4 |
| 2 | 102556701 | Tire, Pro Tour, 205-50 X 10 | 1 |
| 3 | 102556801 | Wheel, ChampionsAluminum' | 1 |
| 4 | 7310 | Valve Stem | 1 |
| 5 | 102540701 | Lug Nut, 1/2" Closed End | 16 |

2
G
E

2

G

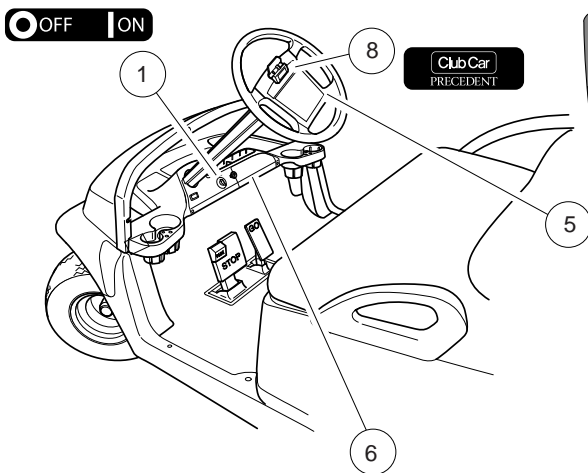
E

DECALS

3

G

E



OPERATING INSTRUCTIONS

- Read owner's manual and safety warnings located on dash panel prior to driving.
- Study and understand controls.

TO OPERATE

- Turn wheels to desired direction and ensure path is clear.
- Turn key to ON position.
- While stopped, place shift lever in desired position:
F – Forward N – Neutral R – Reverse (Buzzer will sound)
- Park brake will release and vehicle will start moving when accelerator pedal is pressed.
- Slowly press accelerator pedal to increase speed.
- To stop, release accelerator pedal and press brake pedal.

BEFORE LEAVING

- Press park brake pedal until it locks and holds vehicle.
- Place Forward/Reverse switch in NEUTRAL position.
- Turn key OFF and remove key when not in use.

CCI 102519201

WARNING

ROLLOVER OR FALLING OFF MAY CAUSE SERIOUS INJURY OR DEATH.

- Before using vehicle, read operating instructions.
- Do not start vehicle until all occupants are seated.
- Keep entire body inside vehicle while moving.
- Drive slowly in turns and straight up and down slopes.
- Use brakes to reduce speed when coasting downhill.
- Never operate under the influence of alcohol or drugs.
- For use by authorized persons in designated areas only.
- Remain seated while moving.
- Operate from driver side only.
- Never operate on public roads.
- Hold on to seat handle while moving.
- Two (2) persons per seat maximum.
- Never stand in front of or behind vehicle.
- Do not leave children unattended on vehicle.

CCI 102519301

WARNING

BATTERY EXPLOSION / FIRE CAN CAUSE SEVERE INJURY

- Do not contact positive (+) battery post or cable to frame.
- Disconnect negative (-) cable first.
- Negative (-) frame ground.

CCI 102517901

WARNING

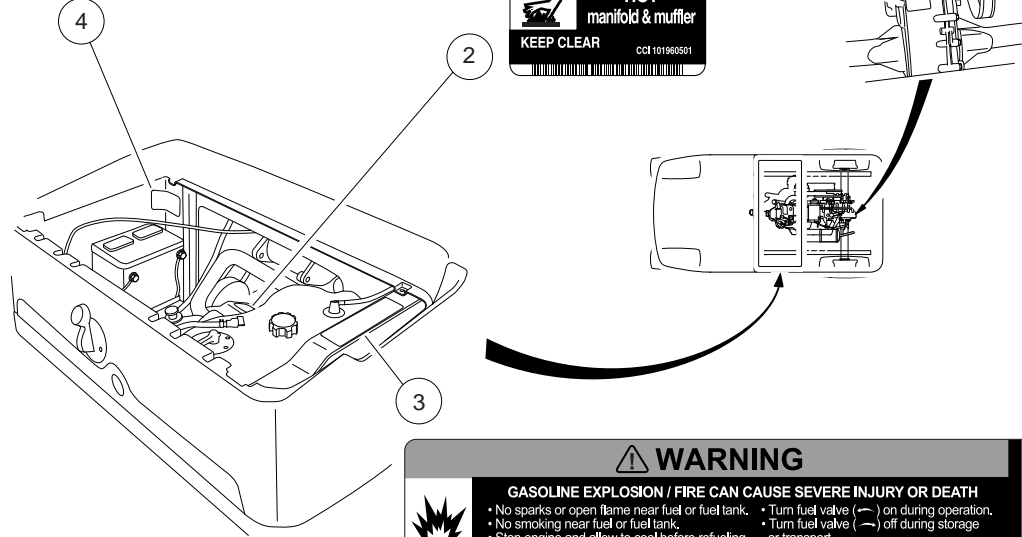
CAN CAUSE SEVERE INJURY

Rotating parts

HOT manifold & muffler

KEEP CLEAR

CCI 101960501



WARNING

GASOLINE EXPLOSION / FIRE CAN CAUSE SEVERE INJURY OR DEATH

- No sparks or open flame near fuel or fuel tank.
- No smoking near fuel or fuel tank.
- Stop engine and allow to cool before refueling.
- Turn fuel valve (—) on during operation.
- Turn fuel valve (—) off during storage or transport.

EXCESSIVE SPEED CAN CAUSE SEVERE INJURY OR DEATH

- Do not tamper with engine governor adjustment.

CCI 102517801

CE

000444-001

DECALS – GASOLINE VEHICLE

| ITEM | PART NO. | DESCRIPTION | QTY |
|------|-----------|--|-----|
| | | 1 2 3 4 | |
| 1 | 101825101 | Decal, Off/On | 1 |
| 2 | 101960501 | Decal, Rotating Parts/Hot Manifold | 2 |
| 3 | 102517801 | Decal, Warning - Gas and Govenor | 1 |
| 4 | 102517901 | Decal, Warning - Frame Ground | 1 |
| 5 | 102519201 | Decal, Operating Instr, Gas | 1 |
| 6 | 102519301 | Decal, Warning, Rollover | 1 |
| 7 | 102538101 | Decal, Operating Instructions, Gas, Comfort Grip | 1 |
| 8 | 102540901 | Decal, Club Car Clip | 1 |
| | | Note: Item 7 not shown. | |

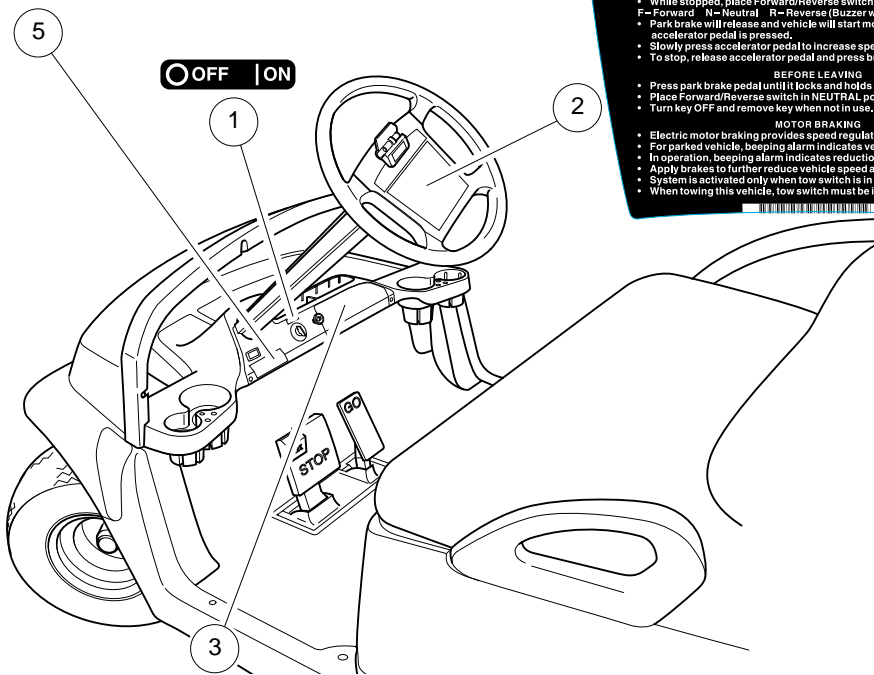
3
G
E

IMPORTANT NOTICE

This vehicle does not conform to ANSI Z130.1 - "Standard for Golf Cars - Safety and Performance Requirements" because it is capable of speeds in excess of 15 miles per hour. Exercise caution.

CCI 102555901

OFF ON



OPERATING INSTRUCTIONS

- Read owner's manual and dash-mounted safety warnings prior to driving.
- Study and understand controls.

TO OPERATE

- Turn wheels to desired direction and ensure path is clear.
- Turn key to ON position.
- While stopped, place Forward/Reverse switch in desired position: F=Forward N=Neutral R=Reverse (Buzzer will sound)
- Park brake will release and vehicle will start moving when accelerator pedal is pressed.
- Slowly press accelerator pedal to increase speed.
- To stop, release accelerator pedal and press brake pedal.

BEFORE LEAVING

- Press park brake pedal until it locks and holds vehicle.
- Place Forward/Reverse switch in NEUTRAL position.
- Turn key OFF and remove key when not in use.

MOTOR BRAKING

- Electric motor braking provides speed regulation functions.
- For parked vehicle, beeping alarm indicates vehicle roll away.
- In operation, beeping alarm indicates reduction in motor braking.
- Apply brakes to further reduce vehicle speed as required.
- System is activated only when tow switch is in the RUN position.
- When towing this vehicle, tow switch must be in the TOW position.

CCI 102518001

WARNING

ROLLOVER OR FALLING OFF MAY CAUSE SERIOUS INJURY OR DEATH.

- Before using vehicle, read operating instructions.
- Do not start vehicle until all occupants are seated.
- Keep entire body inside vehicle while moving.
- Drive slowly in turns and straight up and down slopes.
- Use brakes to reduce speed when coasting downhill.
- Never operate under the influence of alcohol or drugs.
- For use by authorized persons in designated areas only.
- Remain seated while moving.
- Operate from driver side only.
- Never operate on public roads.
- Hold on to seat handle while moving.
- Two (2) persons per seat maximum.
- Never stand in front of or behind vehicle.
- Do not leave children unattended on vehicle.

CCI 102519301

000441-005

DECALS – ELECTRIC VEHICLE

| ITEM | PART NO. | DESCRIPTION | QTY |
|------|-----------|---|-----|
| | | 1 2 3 4 | |
| 1 | 101825101 | Decal, Off/On | 1 |
| 2 | 102518001 | Decal, Operating Instr, Elec | 1 |
| 3 | 102519301 | Decal, Warning, Rollover | 1 |
| 4 | 102538201 | Decal, Operating Instr, Ele, Comfort Grip | 1 |
| 5 | 102555901 | Decal, Private Speed, Prec | 1 |
| | | Note: Item 4 not shown. | |

3
G
E

WARNING

BATTERY EXPLOSION COULD RESULT IN SEVERE PERSONAL INJURY

- Place Run/Tow switch in TOW position before performing any of the following:
 - Disconnecting or connecting battery cables
 - Towing this vehicle
 - Extended storage
 - Servicing the vehicle
- Do not store items in battery compartment.
- Keep electronic components dry.
- Do not operate vehicle without this plate properly installed.
- See vehicle service manual before servicing.

RUN

TOW

CCI 102384601

CAUTION EXPOSURE TO WATER MAY DAMAGE ELECTRONIC COMPONENTS

- Do not direct water stream in the area of this plate.
- See vehicle service manual before servicing.

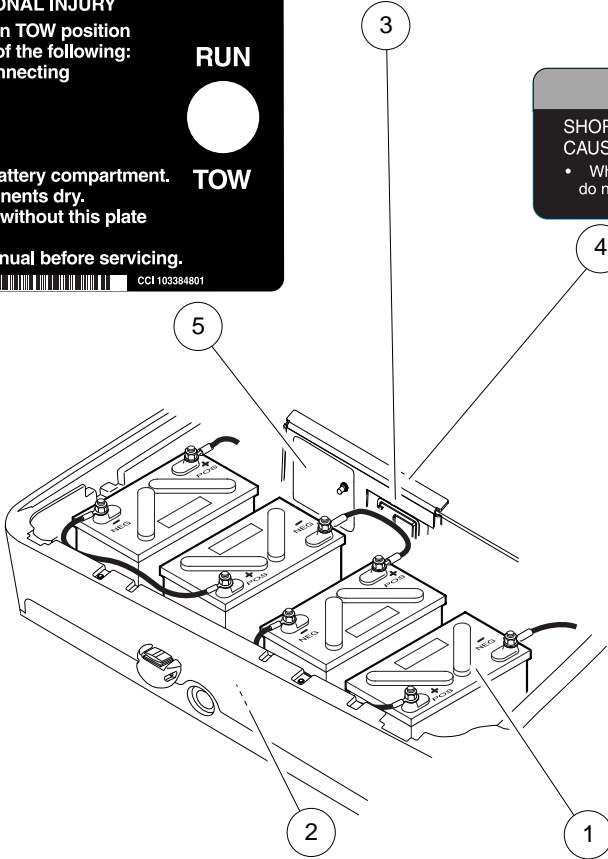
CCI 102384601

WARNING

SHORTING OF BATTERY TERMINALS CAN CAUSE PERSONAL INJURY OR DEATH.

- When removing component mounting plate, do not place plate directly on top of batteries.

103384701



WARNING

HEAVY LIFTING CAN CAUSE SEVERE PERSONAL INJURY

- The weight of each 12-volt battery is in excess of 80 lb (36.3 kg).
- Lift batteries only with the aid of an assistant.

CCI 10238501

DANGER!

HIGH VOLTAGE... RISK OF SHOCK. DO NOT TOUCH UNINSULATED TERMINALS OR CONNECTORS.

NO SPARKS, FLAMES, SMOKING

SULFURIC ACID CAN CAUSE BLINDNESS OR SEVERE BURNS

SHIELD EYES FROM EXPLOSIVE GASES. CAN CAUSE BLINDNESS OR INJURY.

FLUSH EYES IMMEDIATELY WITH WATER. GET MEDICAL HELP FAST.

SEE INSTALLATION, MAINTENANCE AND OPERATION INSTRUCTIONS. VENTILATE WELL WHEN IN AN ENCLOSED SPACE AND WHEN CHARGING. KEEP OUT OF REACH OF CHILDREN. DO NOT TIP.

CCI 102591901

000441-004

DECALS – ELECTRIC VEHICLE, CONTINUED

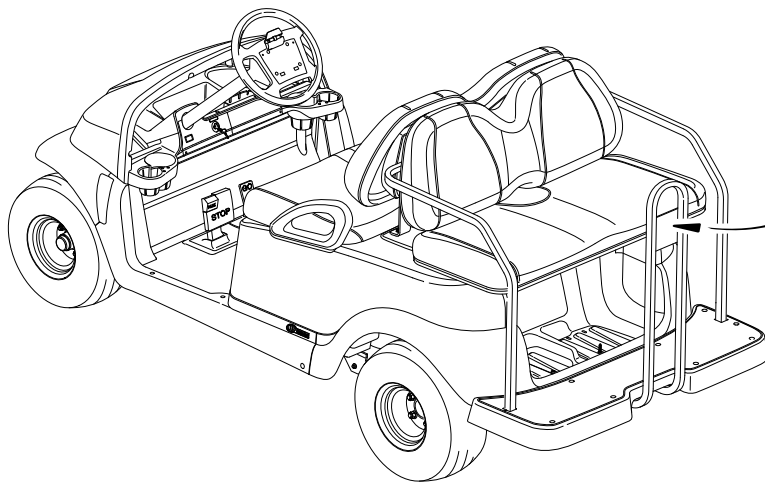
| ITEM | PART NO. | DESCRIPTION | QTY |
|------|-----------|---|-----|
| | | 1 2 3 4 | |
| 1 | 102591901 | Warning Tag, Battery, SPWS (For SPWS Accessory) | 4 |
| 2 | 103238501 | Decal, Warning -battery Weight | 1 |
| 3 | 103384601 | Decal-water Exposure | 1 |
| 4 | 103384701 | Decal-warning, Short | 1 |
| 5 | 103384801 | Decal-warning, Run Tow | 1 |

3
G
E

3

G

E



⚠ WARNING

**FALLING OFF COULD RESULT
IN SEVERE INJURY OR DEATH**

- Remain seated with entire body inside vehicle and hold on to seat handle or handrail at all times.
- Two (2) persons per bench seat maximum.
- One (1) person per bucket seat maximum.
- Do not leave children unattended on vehicle at anytime.
- Never stand in front of or behind vehicle.

CCI 101705701



000495-001

DECAL – PRECEDENT VILLAGER 4

| ITEM | PART NO. | DESCRIPTION | QTY |
|------|-----------|---------------------------------|-----|
| 1 | 101705701 | 1 2 3 4 Decal, Warning | 4 |

3
G
E

3

G

E

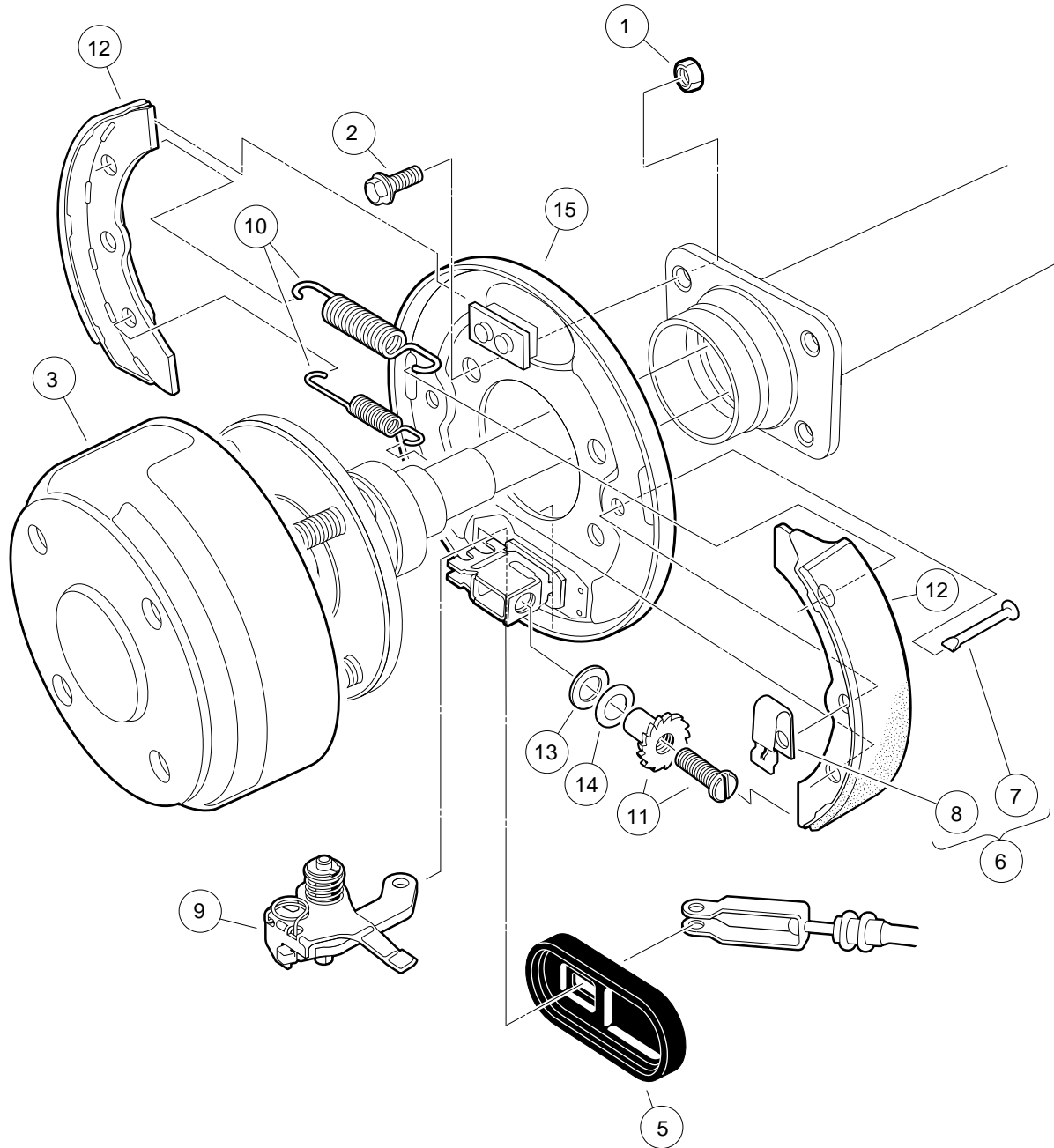
BRAKES AND PEDAL GROUP ASSEMBLIES

4

G

E

4
G
E



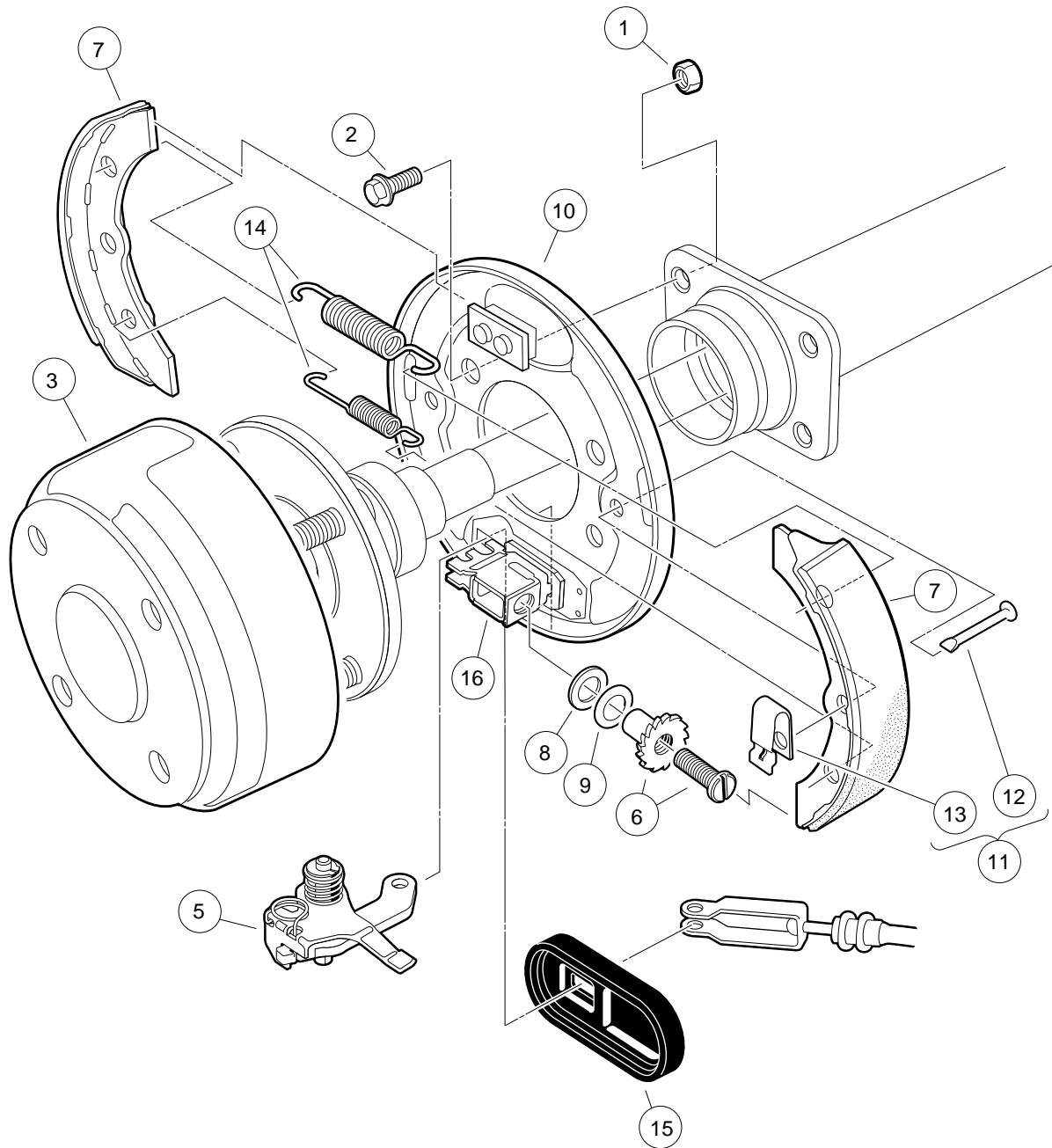
000186-002

REAR BRAKE ASSEMBLY, SELF-ADJUSTING – STYLE A

| ITEM | PART NO. | DESCRIPTION | QTY |
|------|-----------|--|-----|
| | | 1 2 3 4 | |
| 1 | 1013924 | Nut, 5/16-24 Hex Head Cone | 8 |
| 2 | 1014153 | Bolt, Brake Cluster Mounting | 8 |
| 3 | 101791101 | Drum without Center Hole, Brake | 2 |
| 4 | 101823301 | Cluster Assembly, Right (Passenger) Brake (includes items 5 through 15) | 1 |
| 5 | 1010850 | Dust Cover | 1 |
| 6 | 1011466 | Kit, Shoe Retainer (includes items 7 and 8) | 1 |
| 7 | N/A | Pin | 2 |
| 8 | N/A | Shoe Clamp Spring | 2 |
| 9 | 101815501 | Lever Assembly, Self-Adjusting Brake, Right (Passenger) | 1 |
| 10 | 101816301 | Package, Brake Spring, Self-Adjusting | 1 |
| 11 | 101816501 | Adj Mechanism, S.A. Brakes, Right (Passenger) | 1 |
| 12 | 101823201 | Package, Brake Shoe, Self-Adjusting | 1 |
| 13 | 101823801 | Plate, Washer, Brake, Self-Adjusting | 1 |
| 14 | 101823901 | Washer, Brake, Self-Adjusting | 1 |
| 15 | 101824001 | Plate Assembly, Right Brake Backing | 1 |
| 16 | 101823302 | Cluster Assembly, Left Brake (includes items 17 through 27) | 1 |
| 17 | 1010850 | Dust Cover | 1 |
| 18 | 1011466 | Kit, Shoe Retainer (includes items 19 and 20) | 1 |
| 19 | N/A | Pin | 2 |
| 20 | N/A | Shoe Clamp Spring | 2 |
| 21 | 101815502 | Lever Assembly, Self-Adjusting Brake, Left | 1 |
| 22 | 101816301 | Package, Brake Spring, Self-Adjusting | 1 |
| 23 | 101816502 | Adjusting Mechanism, Self-Adjusting Brake, Left | 1 |
| 24 | 101823201 | Package, Brake Shoe, Self-Adjusting | 1 |
| 25 | 101823801 | Plate, Washer, Brake, Self-Adjusting | 1 |
| 26 | 101823901 | Washer, Brake, Self-Adjusting | 1 |
| 27 | 101824002 | Plate Assembly, Left Brake Backing | 1 |
| | | <p>Note: Driver-side brake cluster not shown. Components have a similar appearance to passenger-side brake cluster components. Note: Individual components of Style A are available. To replace an entire brake cluster assembly, order Style B.</p> | |

4
G
E

4
G
E



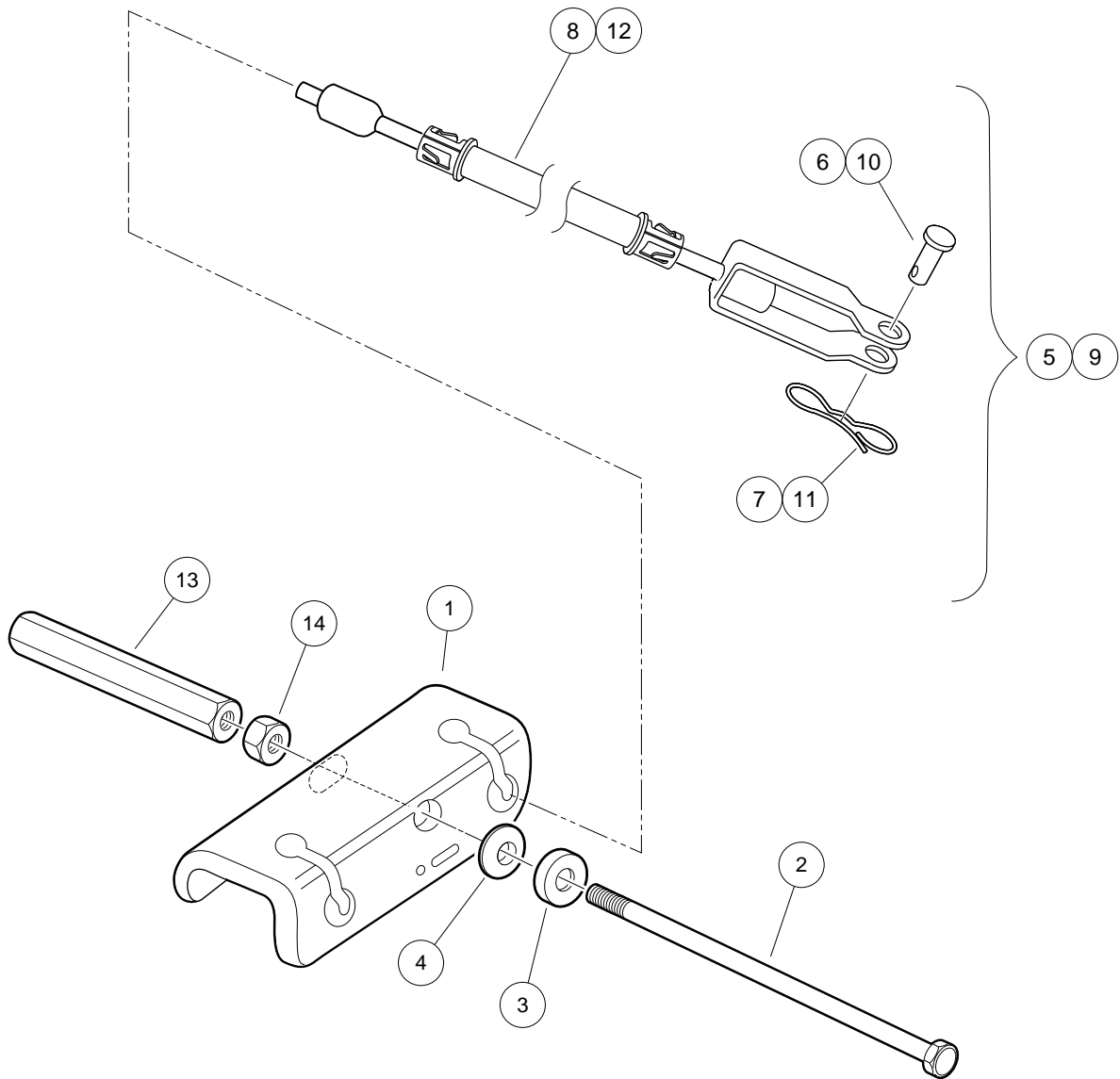
000186-003

REAR BRAKE ASSEMBLY, SELF-ADJUSTING – STYLE B

| ITEM | PART NO. | DESCRIPTION | QTY |
|------|-----------|---|-----|
| | | 1 2 3 4 | |
| 1 | 1013924 | Nut, 5/16-24 Hex Head Cone | 8 |
| 2 | 1014153 | Bolt, Brake Cluster Mounting | 8 |
| 3 | 101791101 | Drum without Center Hole, Brake | 2 |
| 4 | 103380201 | Asm, Brake Cluster, Mech, Drvr (includes items 5 through 16) | 1 |
| 5 | 101815502 | Lever Assembly, Self-Adjusting Brake, Left | 1 |
| 6 | 101816502 | Adjusting Mechanism, Self-Adjusting Brake, Left | 1 |
| 7 | 101823201 | Package, Brake Shoe, Self-Adjusting | 1 |
| 8 | 101823801 | Plate, Washer, Brake, Self-Adjusting | 1 |
| 9 | 101823901 | Washer, Brake, Self-Adjusting | 1 |
| 10 | 103483102 | Back Plate, Lh | 1 |
| 11 | 103483201 | Kit, Shoe Retainer (includes items 12 and 13) | 1 |
| 12 | N/A | Pin | 2 |
| 13 | N/A | Spring, Shoe, Clamp | 2 |
| 14 | 103483401 | Package Brake Spring Self Adj | 1 |
| 15 | 103483601 | Cover, Dust | 1 |
| 16 | 103483701 | Brake Block | 1 |
| 17 | 103380202 | Asm, Brake Cluster, Mech, Pass (includes items 18 through 29) | 1 |
| 18 | 101815501 | Lever Assembly, Self-Adjusting Brake, Right (Passenger) | 1 |
| 19 | 101816501 | Adj Mechanism, S.A. Brakes, Right (Passenger) | 1 |
| 20 | 101823201 | Package, Brake Shoe, Self-Adjusting | 1 |
| 21 | 101823801 | Plate, Washer, Brake, Self-Adjusting | 1 |
| 22 | 101823901 | Washer, Brake, Self-Adjusting | 1 |
| 23 | N/A | Back Plate, Rh | 1 |
| 24 | 103483201 | Kit, Shoe Retainer (includes items 25 and 26) | 1 |
| 25 | N/A | Pin | 2 |
| 26 | N/A | Spring, Shoe, Clamp | 2 |
| 27 | 103483401 | Package Brake Spring Self Adj | 1 |
| 28 | 103483601 | Cover, Dust | 1 |
| 29 | 103483701 | Brake Block | 1 |
| | | Note: Driver-side brake cluster not shown. Components have a similar appearance to passenger-side brake cluster components. Style B brake cluster assemblies are backward compatible but individual parts that do not share part numbers with Style A are not. Style B incorporated on vehicles beginning with serial number 0915-016429. | |

4
G
E

4
G
E



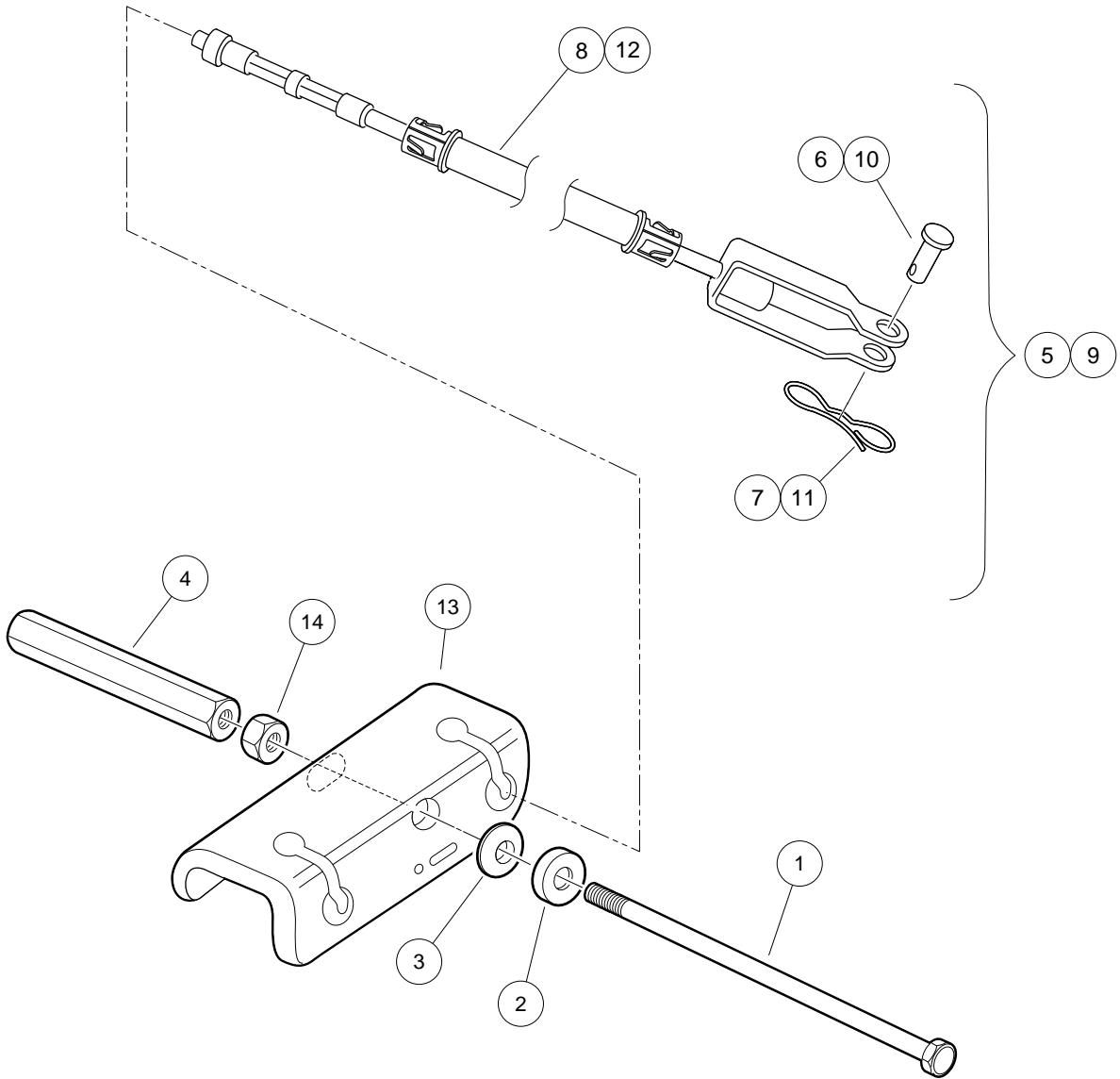
000467-004

BRAKE CABLES AND EQUALIZER BRACKET – STYLE A

| ITEM | PART NO. | DESCRIPTION | QTY |
|--|-----------|---|-----|
| | | 1 2 3 4 | |
| 1 | 101990802 | Equalizer Bracket | 1 |
| 2 | 102297901 | Bolt, 5/16-18 X 7.375, Hex | 1 |
| 3 | 102551901 | Washer, 5/16, Self Comp, Cup | 1 |
| 4 | 102552001 | Washer, 5/16, Self Comp, Cone | 1 |
| 5 | 102557501 | Brake Cable Kit, Precedent Right-Hand (includes items 6 through 8) | 1 |
| 6 | 1010829 | Pin, Clevis, 5/16 X 3/4 | 1 |
| 7 | 102292801 | Pin, Bow Tie Locking - .072 | 1 |
| 8 | N/A | Brake Cable (Right) | 1 |
| 9 | 102557502 | Brake Cable Kit, Precedent Left-Hand (includes items 10 through 12) | 1 |
| 10 | 1010829 | Pin, Clevis, 5/16 X 3/4 | 1 |
| 11 | 102292801 | Pin, Bow Tie Locking - .072 | 1 |
| 12 | N/A | Brake Cable (Left) | 1 |
| 13 | 102594301 | Nut, 5/16-18, Hex Adjusting -I | 1 |
| 14 | 1242 | Nut, 5/16-18 Hex | 1 |
| <p style="text-align: center;">Note: Parts shown on this page were used in production for Precedent vehicles with serial numbers lower than 0918-020874. Style B equalizer can be used with Style A brake cables but Style A equalizer cannot be used with Style B brake cables. See also Service Bulletin 09-008.</p> | | | |

4
G
E

4
G
E



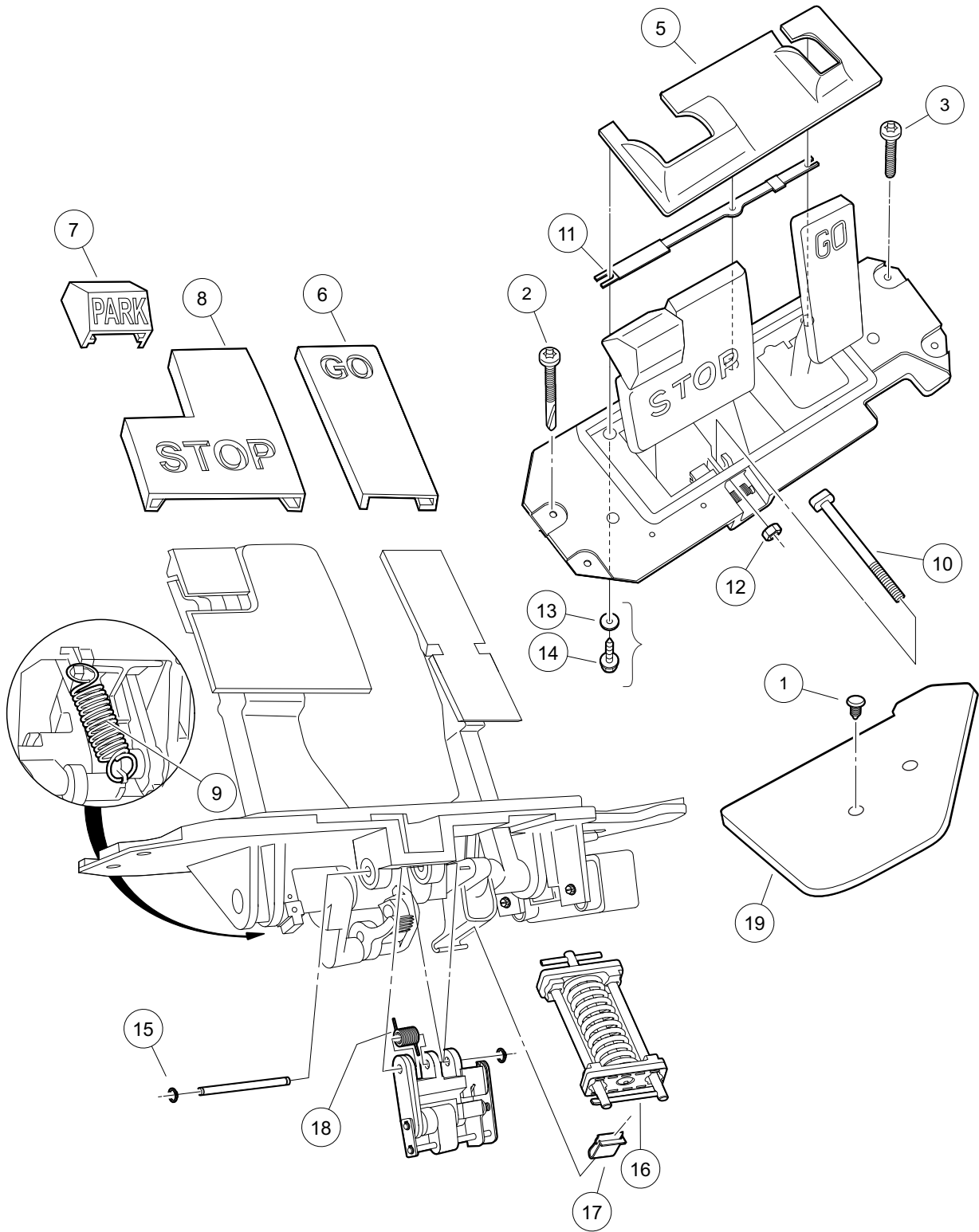
000467-005

BRAKE CABLES AND EQUALIZER BRACKET – STYLE B

| ITEM | PART NO. | DESCRIPTION | QTY |
|---|-----------|---|-----|
| | | 1 2 3 4 | |
| 1 | 102297901 | Bolt, 5/16-18 X 7.375, Hex | 1 |
| 2 | 102551901 | Washer, 5/16, Self Comp, Cup | 1 |
| 3 | 102552001 | Washer, 5/16, Self Comp, Cone | 1 |
| 4 | 102594301 | Nut, 5/16-18, Hex Adjusting -l | 1 |
| 5 | 103528701 | Kit, Brake Cable, Prec, Rh (includes items 6 through 8) | 1 |
| 6 | 1010829 | Pin, Clevis, 5/16 X 3/4 | 1 |
| 7 | 102292801 | Pin, Bow Tie Locking - .072 | 1 |
| 8 | N/A | Cable, Brake, Prec, Right | 1 |
| 9 | 103528702 | Kit, Brake Cable, Prec, Lh (includes items 10 through 12) | 1 |
| 10 | 1010829 | Pin, Clevis, 5/16 X 3/4 | 1 |
| 11 | 102292801 | Pin, Bow Tie Locking - .072 | 1 |
| 12 | N/A | Cable, Brake, Prec, Left | 1 |
| 13 | 103535001 | Bracket, Equalizer, Prec Awd | 1 |
| 14 | 1242 | Nut, 5/16-18 Hex | 1 |
| <p>Note: Parts shown on this page were used in production for Precedent vehicles with serial numbers 0918-020874 and greater. Style B equalizer can be used with Style A brake cables but Style A equalizer cannot be used with Style B brake cables. See also Service Bulletin 09-008.</p> | | | |

4
G
E

4
G
E



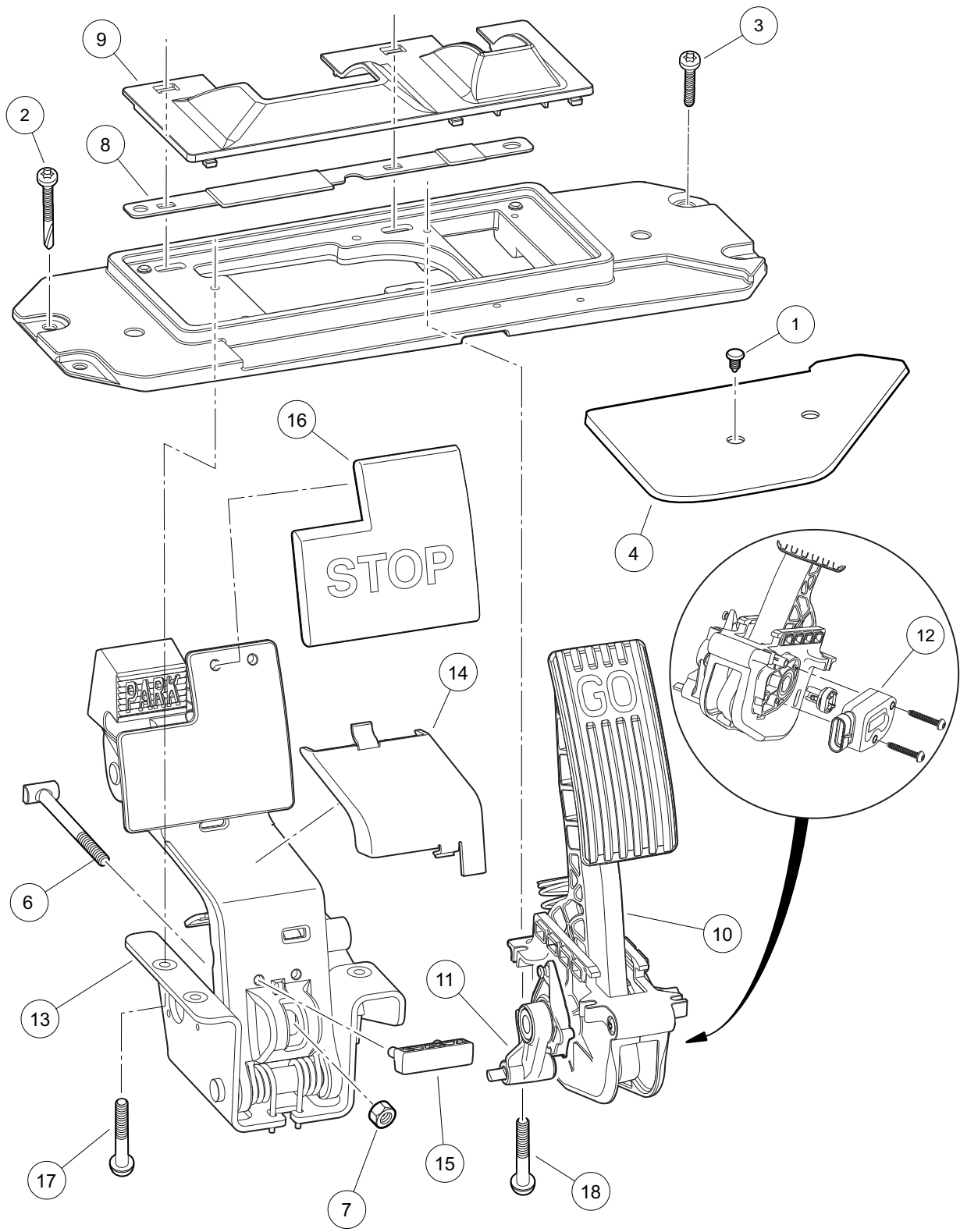
000487-010

PEDAL GROUP, GENERATION 1 – GASOLINE VEHICLE

| ITEM | PART NO. | DESCRIPTION | QTY |
|------|-----------|--|-----|
| | | 1 2 3 4 | |
| 1 | 1010434 | Barrel - Plastic | 1 |
| 2 | 102292201 | Screw-1/4-20x2.20 Tx Pn Hd Sd | 2 |
| 3 | 102298030 | Screw, K80x30, Torx Pn Hd Pt | 2 |
| 4 | 102500101 | Asm, Pedal Box Gas (includes items 5 through 18) | 1 |
| 5 | 102558801 | Shield, Debris | 1 |
| 6 | 102558901 | Pad, Pedal, Accelerator | 1 |
| 7 | 102559001 | Pad, Pedal, Park | 1 |
| 8 | 102559101 | Pad, Pedal, Brake | 1 |
| 9 | 102559301 | Spring, Brake, Return | 1 |
| 10 | 102559401 | Rod, Brake | 1 |
| 11 | 102559601 | Shield, Debris, Aux | 1 |
| 12 | 102559701 | Nut, Brake Rod | 1 |
| 13 | N/A | Washer, Std Fender, #10 | 3 |
| 14 | 102563101 | Screw, Type A, #10 | 5 |
| 15 | 102587501 | Clip, Push, Pawl | 2 |
| 16 | 102588701 | Kit, Pedal Spring | 1 |
| 17 | 102588901 | Clip, U | 1 |
| 18 | 103344301 | Spring, Pawl Return | 1 |
| 19 | 102500801 | Plate - Floor Cover | 1 |

4
G
E

4
G
E



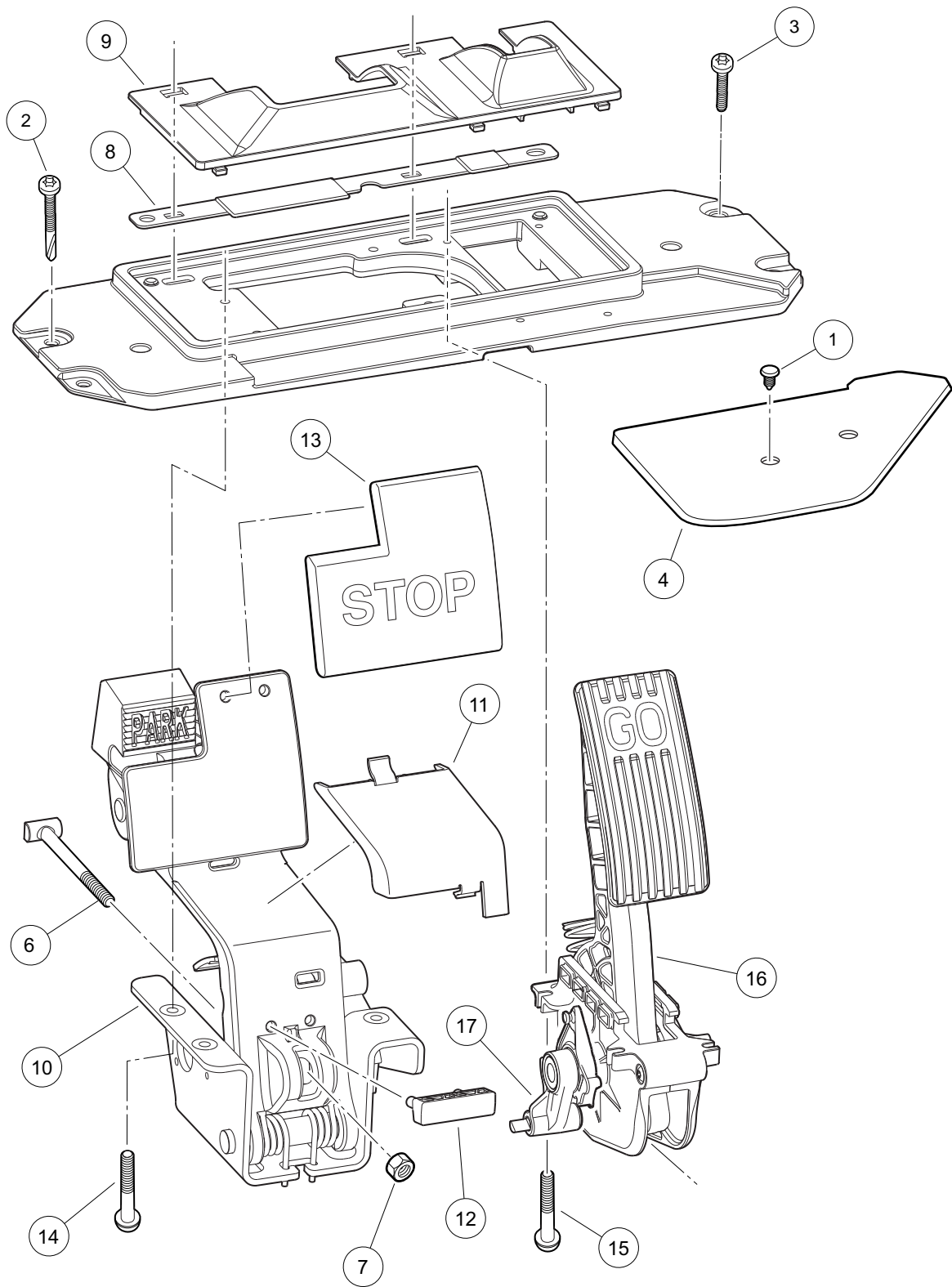
000487-008

PEDAL GROUP WITH SENSOR, GENERATION 2 – GASOLINE VEHICLE

| ITEM | PART NO. | DESCRIPTION | QTY |
|------|-----------|--|-----|
| | | 1 2 3 4 | |
| 1 | 1010434 | Barrel - Plastic | 1 |
| 2 | 102292201 | Screw-1/4-20x2.20 Tx Pn Hd Sd | 2 |
| 3 | 102298030 | Screw, K80x30, Torx Pn Hd Pt | 2 |
| 4 | 102500801 | Plate - Floor Cover | 1 |
| 5 | 102595015 | Pedal Assy Gas Triac Sp (includes items 6 through 18) | 1 |
| 6 | 102559401 | Rod, Brake | 1 |
| 7 | 102559701 | Nut, Brake Rod | 1 |
| 8 | 102594801 | Shield, Debris Aux | 1 |
| 9 | 102594901 | Shield, Debris Primary | 1 |
| 10 | 102595502 | Accelerator Pedal,(throttle) Gas (includes items 11 and 12) | 1 |
| 11 | 103760701 | Asm, Gen2, Park Brake Release | 1 |
| 12 | N/A | Throttle Sensor | 1 |
| 13 | 102595701 | Assy, Brake (includes items 14 through 16) | 1 |
| 14 | 102595201 | Cover, Brake | 1 |
| 15 | 102595301 | Upstop, Brake | 1 |
| 16 | 102595401 | Pad, Brake | 1 |
| 17 | 102595901 | Screw, M6x1.0x17 Ph, Taptite | 4 |
| 18 | 102596001 | Screw, M5x0.8x18 Ph, Taptite | 4 |
| | | <p>Note: When replacing a Generation 1 pedal group with a Generation 2 pedal group, a new accelerator pedal cable, Club Car part number 102595101 is required.</p> | |

4
G
E

4
G
E



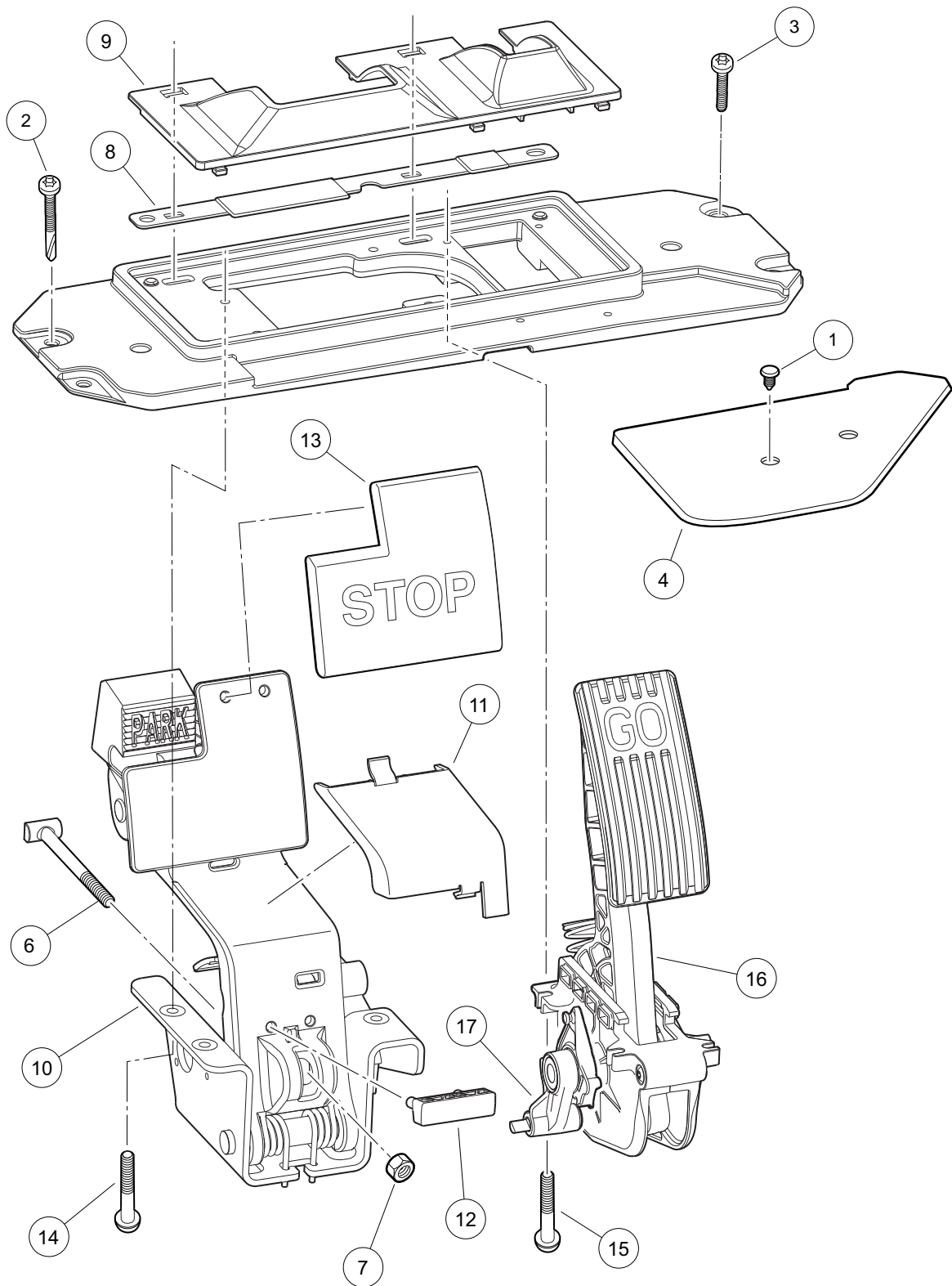
000487-013

PEDAL GROUP, NO SENSOR, GENERATION 2 – GASOLINE VEHICLE

| ITEM | PART NO. | DESCRIPTION | QTY |
|--|-----------|---|-----|
| | | 1 2 3 4 | |
| 1 | 1010434 | Barrel - Plastic | 1 |
| 2 | 102292201 | Screw-1/4-20x2.20 Tx Pn Hd Sd | 2 |
| 3 | 102298030 | Screw, K80x30, Torx Pn Hd Pt | 2 |
| 4 | 102500801 | Plate - Floor Cover | 1 |
| 5 | 102595021 | Field Service Pedal (includes items 6 through 16) | 1 |
| 6 | 102559401 | Rod, Brake | 1 |
| 7 | 102559701 | Nut, Brake Rod | 1 |
| 8 | 102594801 | Shield, Debris Aux | 1 |
| 9 | 102594901 | Shield, Debris Primary | 1 |
| 10 | 102595701 | Assy, Brake (includes items 11 through 13) | 1 |
| 11 | 102595201 | Cover, Brake | 1 |
| 12 | 102595301 | Upstop, Brake | 1 |
| 13 | 102595401 | Pad, Brake | 1 |
| 14 | 102595901 | Screw, M6x1.0x17 Ph, Taptite | 4 |
| 15 | 102596001 | Screw, M5x0.8x18 Ph, Taptite | 4 |
| 16 | 102596301 | Throttle, G2, No Sensor (includes item 17) | 1 |
| 17 | 103760701 | Asm, Gen2, Park Brake Release | 1 |
| <p>Note: When replacing a Generation 1 pedal group with a Generation 2 pedal group on a gasoline vehicle, a new accelerator pedal cable, Club Car part number 102595101 is required. Note 2: 102595021 has no sensor, is common to both gas and electric vehicles and is backward compatible with vehicles built with Generation 1 pedal groups.</p> | | | |

4
G
E

4
G
E



000487-009

PEDAL GROUP, NO MCOR, GENERATION 2 – ELECTRIC VEHICLE

| ITEM | PART NO. | DESCRIPTION | QTY |
|--|-----------|---|-----|
| | | 1 2 3 4 | |
| 1 | 1010434 | Barrel - Plastic | 1 |
| 2 | 102292201 | Screw-1/4-20x2.20 Tx Pn Hd Sd | 2 |
| 3 | 102298030 | Screw, K80x30, Torx Pn Hd Pt | 2 |
| 4 | 102500801 | Plate - Floor Cover | 1 |
| 5 | 102595021 | Field Service Pedal (includes items 6 through 16) | 1 |
| 6 | 102559401 | Rod, Brake | 1 |
| 7 | 102559701 | Nut, Brake Rod | 1 |
| 8 | 102594801 | Shield, Debris Aux | 1 |
| 9 | 102594901 | Shield, Debris Primary | 1 |
| 10 | 102595701 | Assy, Brake (includes items 11 through 13) | 1 |
| 11 | 102595201 | Cover, Brake | 1 |
| 12 | 102595301 | Upstop, Brake | 1 |
| 13 | 102595401 | Pad, Brake | 1 |
| 14 | 102595901 | Screw, M6x1.0x17 Ph, Taptite | 4 |
| 15 | 102596001 | Screw, M5x0.8x18 Ph, Taptite | 4 |
| 16 | 102596301 | Throttle, G2, No Sensor (includes item 17) | 1 |
| 17 | 103760701 | Asm, Gen2, Park Brake Release | 1 |
| <p>Note: 102595021 has no sensor, is common to both gas and electric vehicles and is backward compatible with vehicles built with Generation 1 pedal groups. Note 2: See the Electrical System section for MCOR information.</p> | | | |

4
G
E

4

G

E

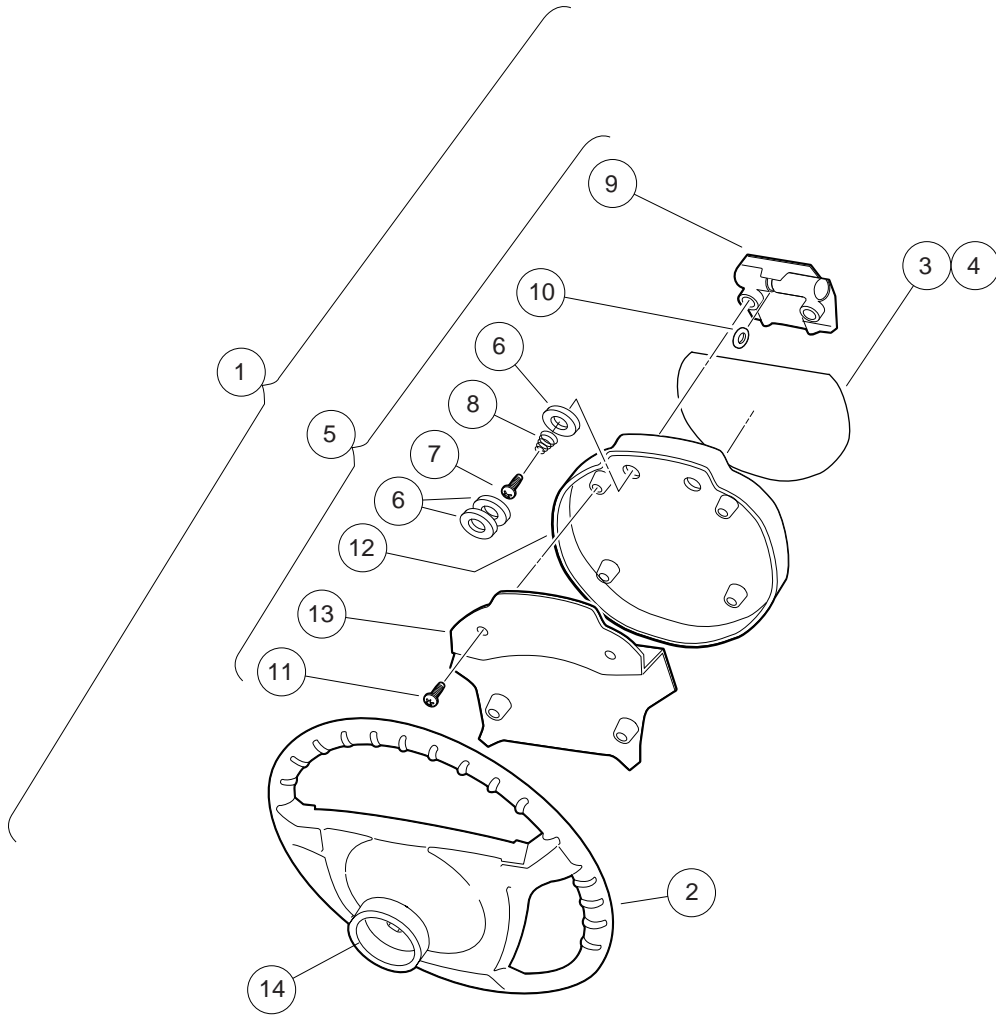
STEERING, FRONT AND REAR SUSPENSION

5

G

E

5
G
E



000470-004

STEERING WHEEL – CHAMPION AND I2L

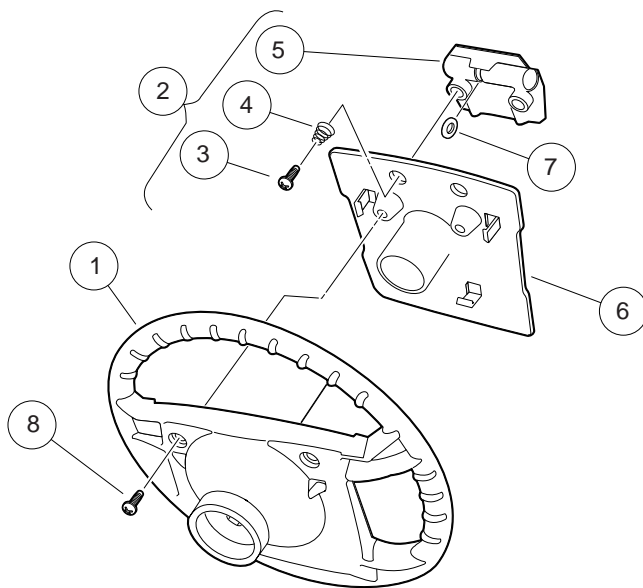
| ITEM | PART NO. | DESCRIPTION | QTY |
|------|-----------|---|-----|
| | | 1 2 3 4 | |
| 1 | AM1229401 | Kit, Comfort Grip Conv, Hex (includes items 2 through 14) | 1 |
| 2 | 102537801 | Steering Wheel, Comfort Grip, Hex | 1 |
| 3 | 102538101 | Decal, Operating Instructions, Gas, Comfort Grip | 1 |
| 4 | 102538201 | Decal, Operating Instr, Ele, Comfort Grip | 1 |
| 5 | 102540801 | Scorecard Plate Assembly (includes items 6 through 13) | 1 |
| 6 | 1011697 | Washer, 5/16 Flat | 6 |
| 7 | 1012565 | Screw, #12 Phillips Round Head | 2 |
| 8 | 1012566 | Tapered Compression Spring | 2 |
| 9 | 1016154 | Clip, Scorecard | 1 |
| 10 | 1016214 | Pencil Grip | 1 |
| 11 | 102296020 | Screw, Torx Pan Hd Pt, M6 X 20 | 4 |
| 12 | N/A | Scorecard Plate, Comfort Grip | 1 |
| 13 | N/A | Scorecard Back Plate | 1 |
| 14 | 102571301 | Shroud, Steering Column | 1 |

5
G
E

5

G

E



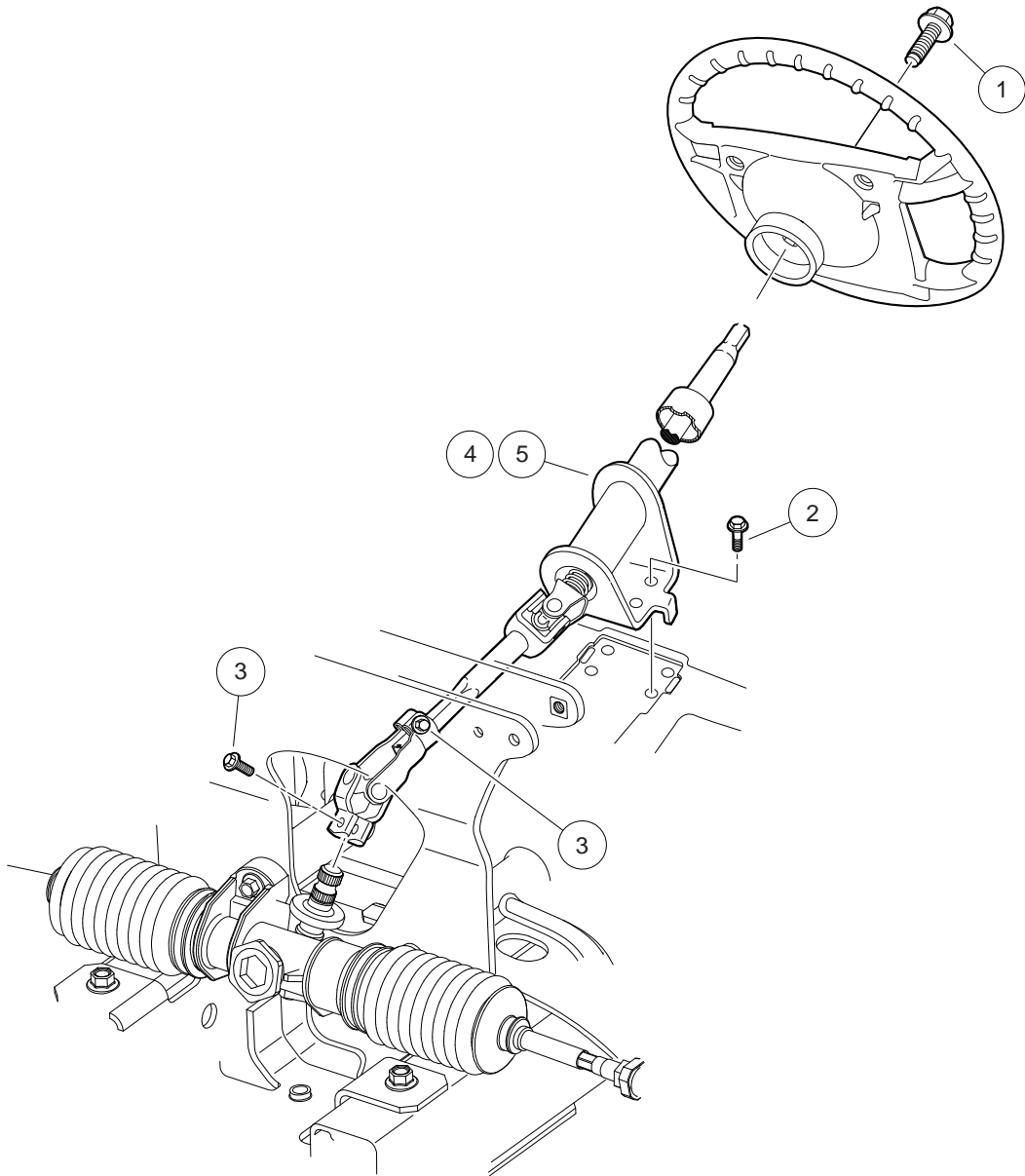
000471-003

STEERING WHEEL – PROFESSIONAL AND I2

| ITEM | PART NO. | DESCRIPTION | QTY |
|------|-----------|---|-----|
| | | 1 2 3 4 | |
| 1 | 101615602 | Wheel Assy, Tri-Lobe Steering | 1 |
| 2 | 1016219 | Plate, Scorecard (includes items 3 through 7) | 1 |
| 3 | 1012565 | Screw, #12 Phillips Round Head | 2 |
| 4 | 1012566 | Tapered Compression Spring | 2 |
| 5 | 1016154 | Clip, Scorecard | 1 |
| 6 | N/A | Plate, Score Card | 1 |
| 7 | 1016214 | Pencil Grip | 1 |
| 8 | 1016663 | Screw, #12-14 X 0.625 | 2 |

5
G
E

5
G
E



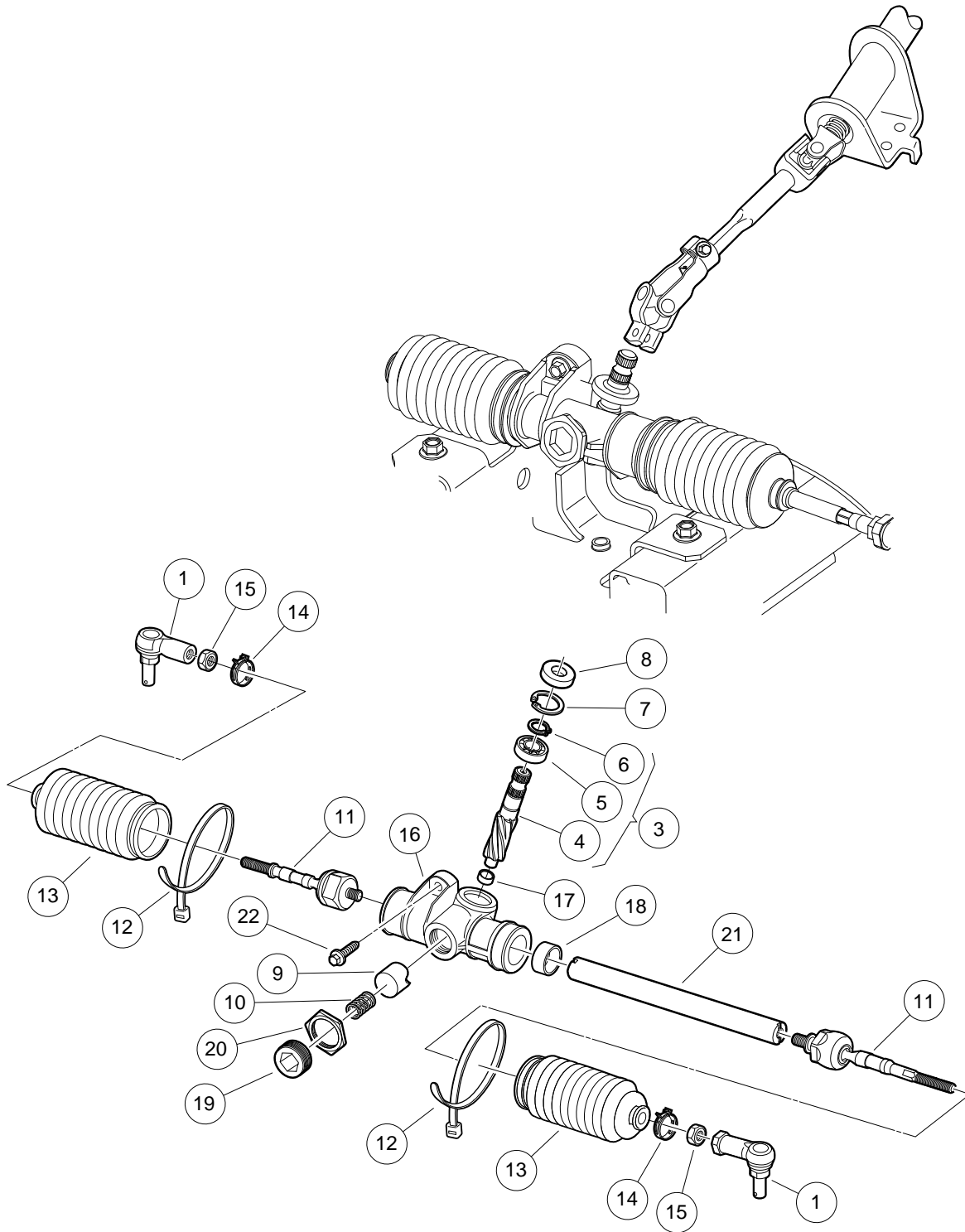
000469-004

STEERING COLUMN

| ITEM | PART NO. | DESCRIPTION | QTY |
|------|-----------|---|-----|
| | | 1 2 3 4 | |
| 1 | 102290120 | Bolt, M10 X 20 Hex Washer Hd | 1 |
| 2 | 102298116 | Bolt - Flanged Hd, M8 X 16.0 | 4 |
| 3 | 102298130 | Bolt, Flange Head, M8 X 30.0 | 2 |
| 4 | 102507101 | Steering Column Assembly | 1 |
| 5 | 103209501 | Assy, Steering Column, Ld | 1 |
| | | <p>Note: During 2009, two steering columns were used in production for both gas and electric cars. The columns are interchangeable.</p> | |

5
G
E

5
G
E

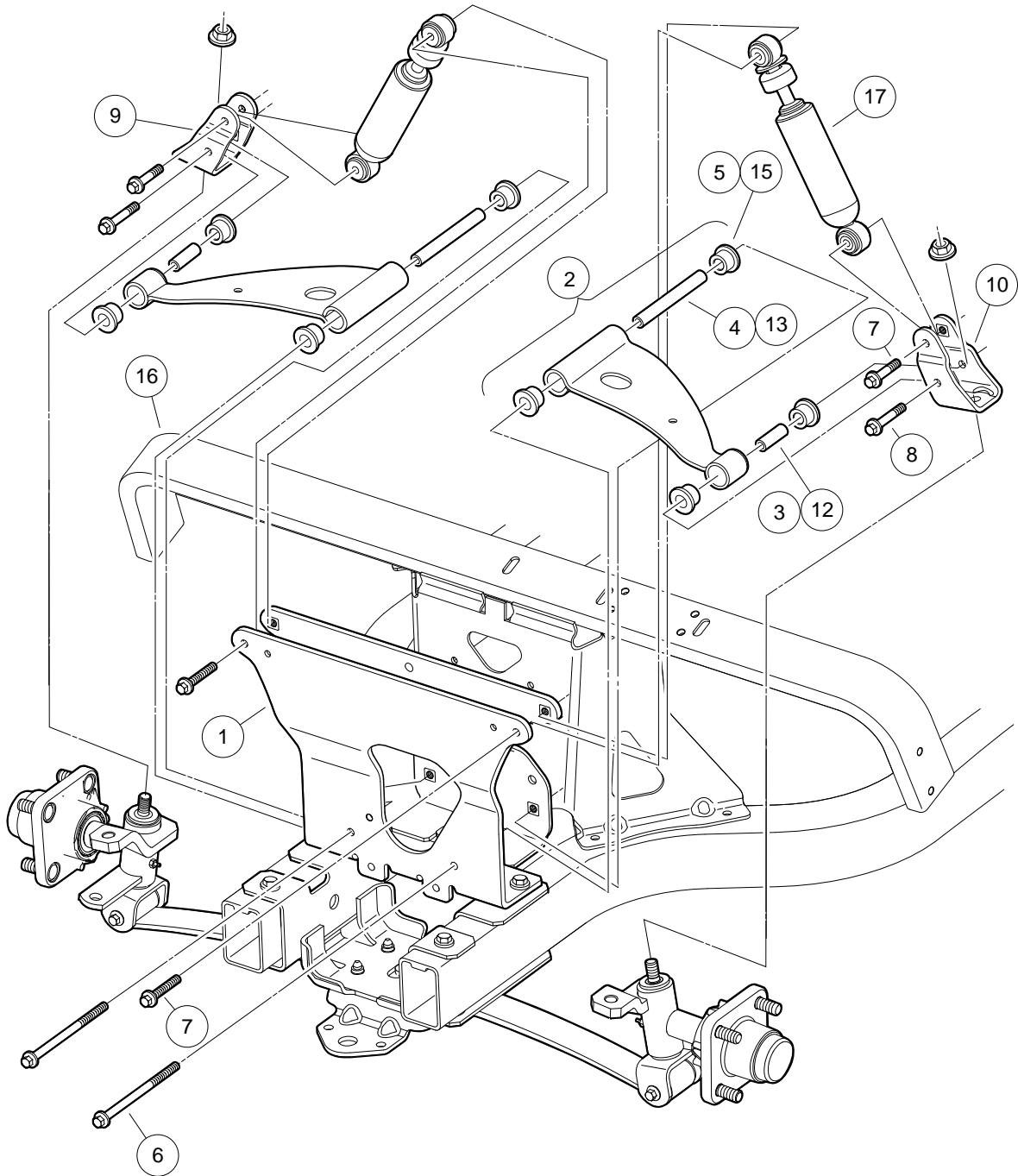


000476-004

STEERING GEAR ASSEMBLY

| ITEM | PART NO. | DESCRIPTION | QTY | |
|------|-----------|--|-----|----------|
| | | 1 2 3 4 | | 5 |
| 1 | 102022601 | End, Tie Rod M12 X 1.25 Rh | 2 | G |
| 2 | 102288601 | Steering Gear Box Assembly (includes items 3 through 21) | 1 | E |
| 3 | 102564901 | Asm, Pinion, Steer Gear, Prec (includes items 4 through 6) | 1 | |
| 4 | N/A | Pinion, Steering | 1 | |
| 5 | N/A | Bearing, Ball | 1 | |
| 6 | N/A | Ring, Retaining | 1 | |
| 7 | 102565101 | Ring, C-type, Stop, Prec | 1 | |
| 8 | 102565201 | Seal, Dust, Steering, Pinion | 1 | |
| 9 | 102565301 | Yoke, Support | 1 | |
| 10 | 102565401 | Spring, Yoke, Prec | 1 | |
| 11 | 102565701 | Assy, Ball Joint, Inner, Prec | 2 | |
| 12 | 102565801 | Wrap, Tie, Steel, Prec | 2 | |
| 13 | 102565901 | Bellows, Steering | 2 | |
| 14 | 102566001 | Clip, Steering, Prec | 2 | |
| 15 | 102566101 | Nut,m12-1.25,jam,steer,prec | 2 | |
| 16 | N/A | Housing, Pinion (includes items 17 and 18) | 1 | |
| 17 | N/A | Bearing, Needle | 1 | |
| 18 | N/A | Bushing, Rack | 1 | |
| 19 | N/A | Plug, Yoke | 1 | |
| 20 | N/A | Nut, Lock, Rack Screw | 1 | |
| 21 | N/A | Rack, Steering | 1 | |
| 22 | 102289001 | Screw, M8X1.25X30, Hex | 3 | |

5
G
E



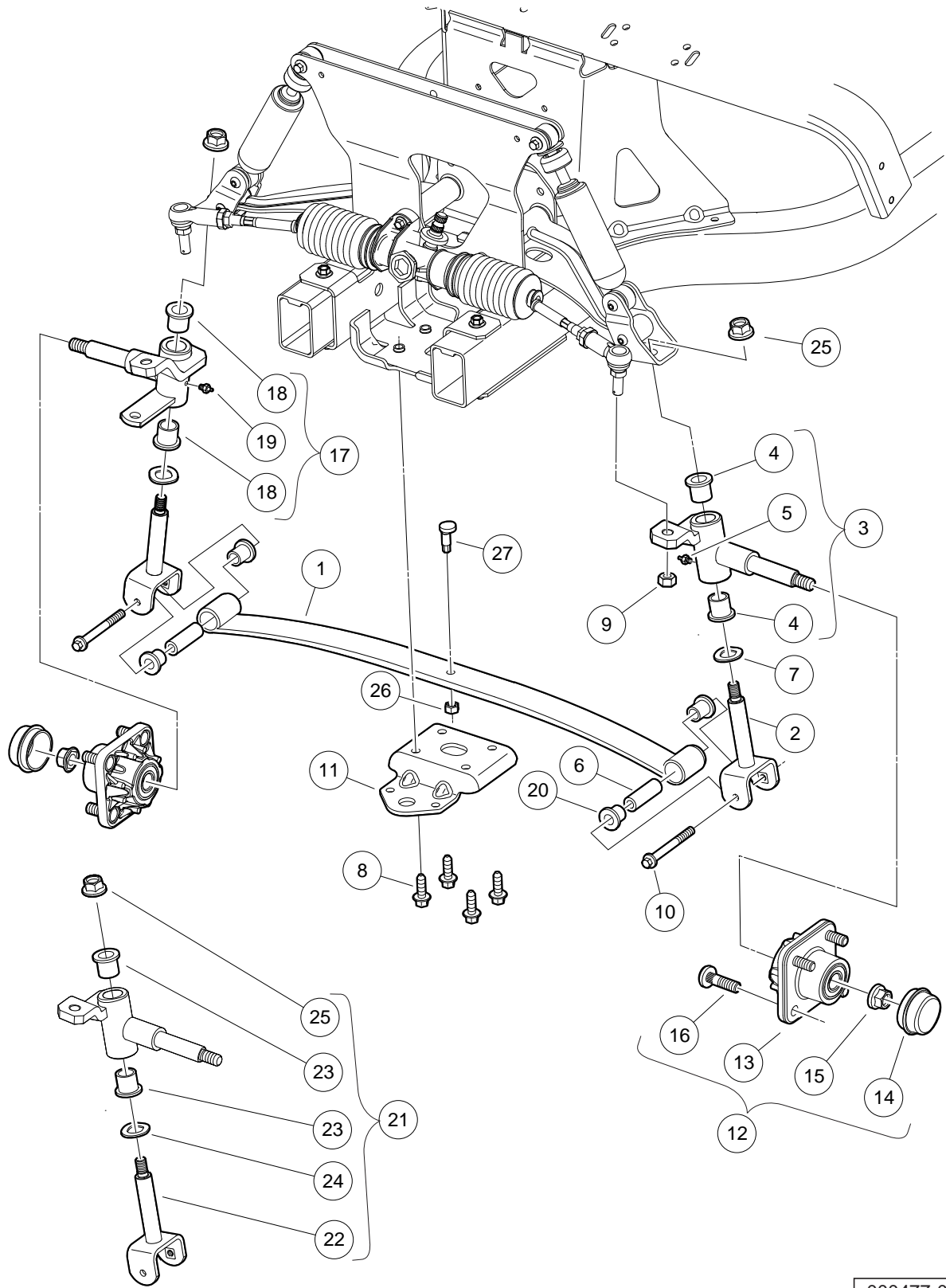
000445-006

FRONT SUSPENSION, UPPER – STYLE A A-ARM

| ITEM | PART NO. | DESCRIPTION | QTY |
|------|-----------|--|-----|
| | | 1 2 3 4 | |
| 1 | 102287101 | Assembly - Front Structure | 1 |
| 2 | 102287301 | Asm - Control Arm Bushing (includes items 3 through 5) | 2 |
| 3 | 102287601 | Sleeve - Rolled, Outer | 1 |
| 4 | 102287701 | Sleeve - Rolled, Inner | 1 |
| 5 | 102956201 | Bushing, Urethane, Short, Prec | 4 |
| 6 | 102288901 | Bolt - Hex, M8x1.25 X 135 | 2 |
| 7 | 102289401 | Screw- Hex Cap, M8 X 1.25 X 45 | 4 |
| 8 | 102289501 | Screw- Hex Cap, M8 X 1.25 X 70 | 2 |
| 9 | 102289601 | Upper Clevis Assembly - Rh | 1 |
| 10 | 102289701 | Upper Clevis Assembly - Lh | 1 |
| 11 | 102289901 | Kit, Susp, Bushing Joints (includes items 12 through 15) | 1 |
| 12 | 102287601 | Sleeve - Rolled, Outer | 2 |
| 13 | 102287701 | Sleeve - Rolled, Inner | 2 |
| 14 | 102288101 | Sleeve - Rolled, Spring | 2 |
| 15 | 102956201 | Bushing, Urethane, Short, Prec | 12 |
| 16 | 102505701 | Assembly, Dash Support | 1 |
| 17 | 102588601 | Shock Absorber Front Prv Spd | 2 |
| | | <p>Note: Item 11 (not shown) includes bushings and sleeves for control arms and front suspension leaf spring. See lower suspension page for illustration of item 14.</p> | |

5
G
E

5
G
E

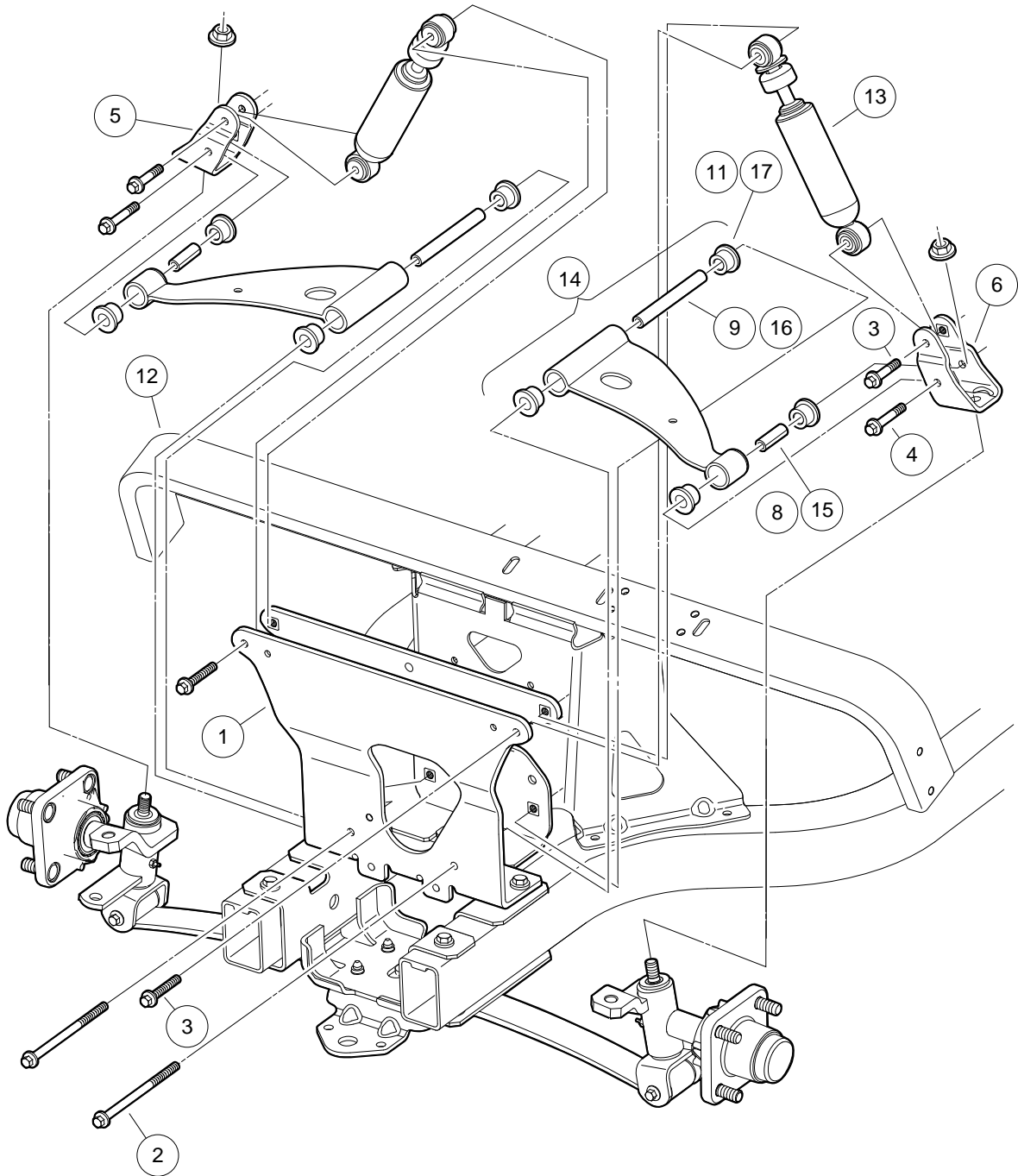


000477-006

FRONT SUSPENSION, LOWER – STYLE A

| ITEM | PART NO. | DESCRIPTION | QTY |
|---|-----------|---|-----|
| | | 1 2 3 4 | |
| 1 | 1012030 | Spring, Front Leaf | 1 |
| 2 | 102287201 | Assembly - King Pin | 2 |
| 3 | 102287901 | Knuckle Spindle Asm - Lh (includes items 4 and 5) | 1 |
| 4 | 102288201 | Bushing - Flanged | 2 |
| 5 | N/A | Fitting, Grease, Knuckle Spindle Asym | 1 |
| 6 | 102288101 | Sleeve - Rolled, Spring | 2 |
| 7 | 102288401 | Wave Washer - Kingpin | 2 |
| 8 | 102289101 | Screw-m10x1.5, Trilob, Hex Fl | 4 |
| 9 | 102289201 | Nut - Hex Locking, M12 X 1.25 | 2 |
| 10 | 102289501 | Screw- Hex Cap, M8 X 1.25 X 70 | 2 |
| 11 | 102289801 | Clamp - Leaf Spring | 1 |
| 12 | 102357701 | Replacement Kit, Front Hub (includes items 13 through 16) | 1 |
| 13 | N/A | Front Hub, Ball Bearing | 1 |
| 14 | 102353201 | Cap, Front Hub | 1 |
| 15 | 102353301 | Hex Nut, Locking Flange, M14x2 | 1 |
| 16 | 102353401 | Lug Stud, 1/2-20 UNF, 4037 Stl | 4 |
| 17 | 102878101 | Assy, Knuckle, Right Side (includes items 18 and 19) | 1 |
| 18 | 102288201 | Bushing - Flanged | 2 |
| 19 | N/A | Fitting, Grease, Knuckle Spindle Asym | 1 |
| 20 | 102956201 | Bushing, Urethane, Short, Prec | 4 |
| 21 | 102973801 | Kit, Susp, Kingpin Joints (includes items 22 through 25) | 1 |
| 22 | 102287201 | Assembly - King Pin | 2 |
| 23 | 102288201 | Bushing - Flanged | 4 |
| 24 | 102288401 | Wave Washer - Kingpin | 2 |
| 25 | 102878201 | Nut, Lock,m12,washer,conical | 2 |
| 26 | 706 | Nut, Hex 3/8-16 | 1 |
| 27 | 8745 | Screw, Eccentric Adjustment | 1 |
| <p>Note: Kingpin (CC part number 102287201) was installed on Precedent vehicles with serial numbers lower than 0928-034748.</p> | | | |

5
G
E

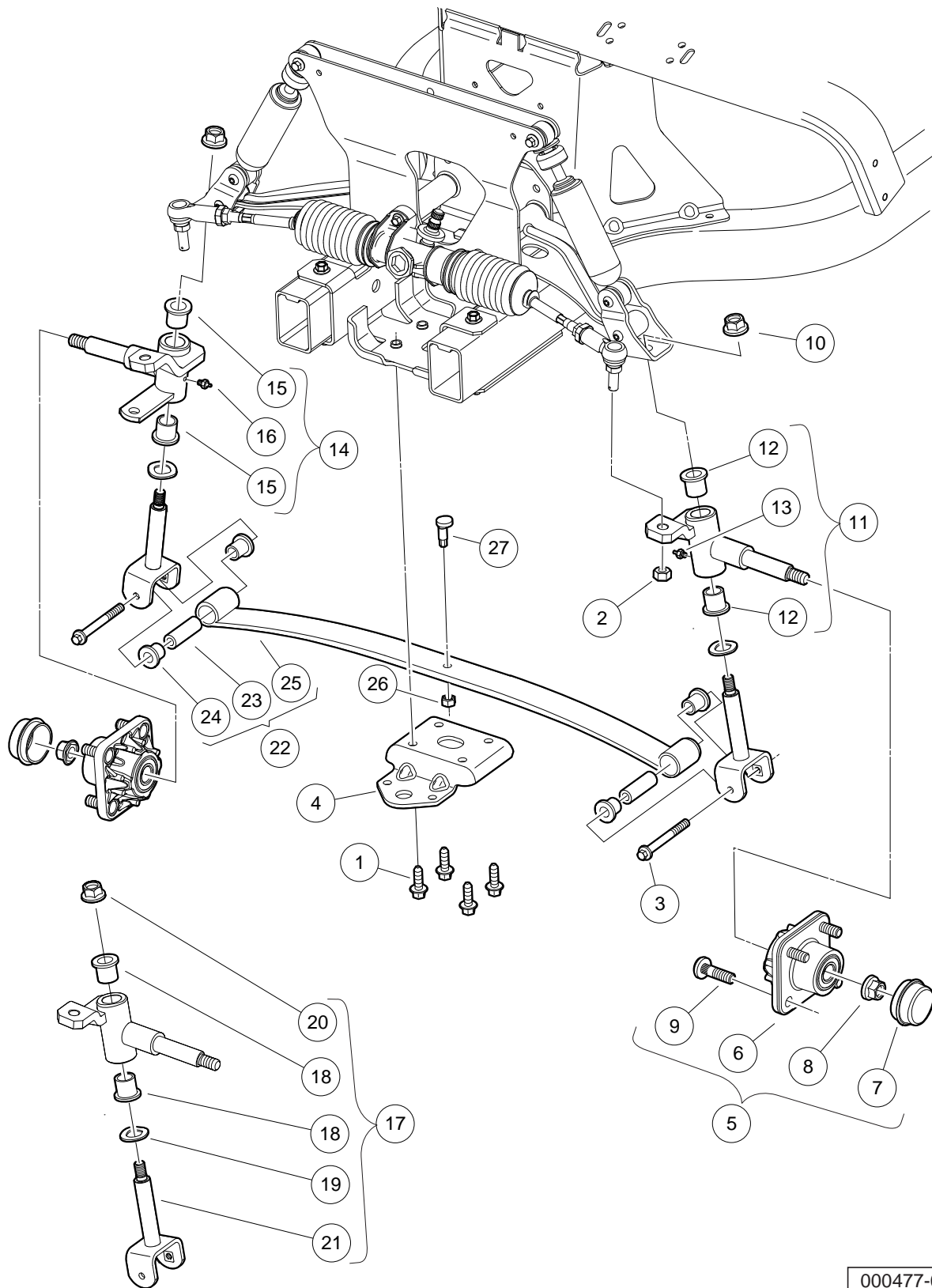


000445-005

FRONT SUSPENSION, UPPER – STYLE B A-ARM

| ITEM | PART NO. | DESCRIPTION | QTY | |
|------|-----------|--|-----|----------|
| | | 1 2 3 4 | | 5 |
| 1 | 102287101 | Assembly - Front Structure | 1 | G |
| 2 | 102288901 | Bolt - Hex, M8x1.25 X 135 | 2 | E |
| 3 | 102289401 | Screw- Hex Cap, M8 X 1.25 X 45 | 4 | |
| 4 | 102289501 | Screw- Hex Cap, M8 X 1.25 X 70 | 2 | |
| 5 | 102289601 | Upper Clevis Assembly - Rh | 1 | |
| 6 | 102289701 | Upper Clevis Assembly - Lh | 1 | |
| 7 | 102289901 | Kit, Susp, Bushing Joints (includes items 8 through 11) | 1 | |
| 8 | 102287601 | Sleeve - Rolled, Outer | 2 | |
| 9 | 102287701 | Sleeve - Rolled, Inner | 2 | |
| 10 | 102288101 | Sleeve - Rolled, Spring | 2 | |
| 11 | 102956201 | Bushing, Urethane, Short, Prec | 12 | |
| 12 | 102505701 | Assembly, Dash Support | 1 | |
| 13 | 102588601 | Shock Absorber Front Prv Spd | 2 | |
| 14 | 103388501 | Asm, 3 Piece A-arm, Bushings (includes items 15 through 17) | 2 | |
| 15 | 102287601 | Sleeve - Rolled, Outer | 1 | |
| 16 | 102287701 | Sleeve - Rolled, Inner | 1 | |
| 17 | 102956201 | Bushing, Urethane, Short, Prec | 4 | |
| | | Note: Item 7 (not shown) includes bushings and sleeves for control arms and front suspension leaf spring. See lower suspension page for illustration of item 10. | | |

5
G
E



000477-005

FRONT SUSPENSION, LOWER – STYLE B

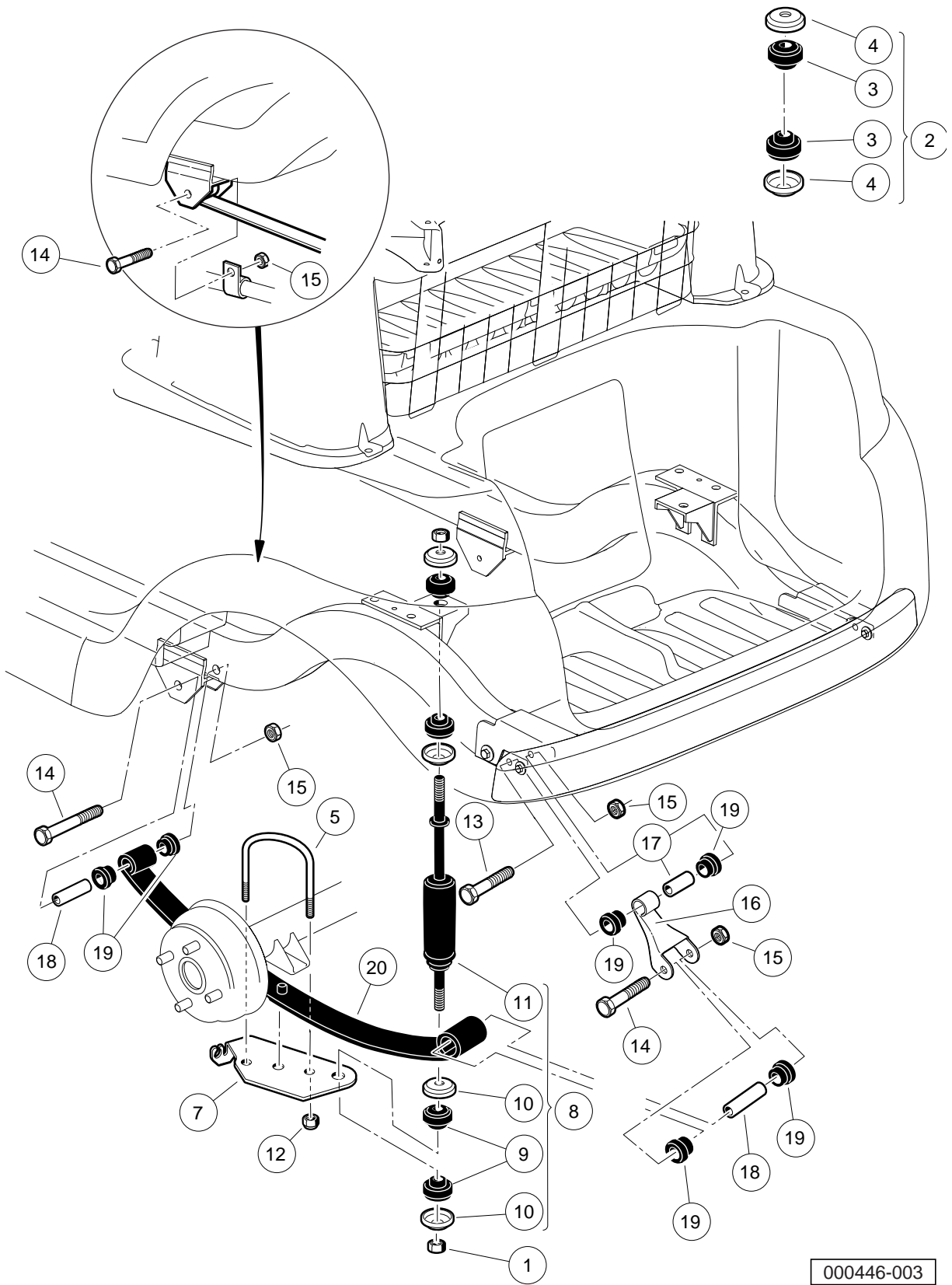
| ITEM | PART NO. | DESCRIPTION | QTY |
|--|-----------|---|-----|
| | | 1 2 3 4 | |
| 1 | 102289101 | Screw-m10x1.5, Trilob, Hex Fl | 4 |
| 2 | 102289201 | Nut - Hex Locking, M12 X 1.25 | 2 |
| 3 | 102289501 | Screw- Hex Cap, M8 X 1.25 X 70 | 2 |
| 4 | 102289801 | Clamp - Leaf Spring | 1 |
| 5 | 102357701 | Replacement Kit, Front Hub (includes items 6 through 9) | 1 |
| 6 | N/A | Front Hub, Ball Bearing | 1 |
| 7 | 102353201 | Cap, Front Hub | 1 |
| 8 | 102353301 | Hex Nut, Locking Flange, M14x2 | 1 |
| 9 | 102353401 | Lug Stud, 1/2-20 UNF, 4037 Stl | 4 |
| 10 | 102878201 | Nut, Lock,m12,washer,conical | 2 |
| 11 | 103638701 | Asm, Spindle-bushings, Lh (includes items 12 and 13) | 1 |
| 12 | 102288201 | Bushing - Flanged | 2 |
| 13 | N/A | Fitting, Grease, Knuckle Spindle Asym | 1 |
| 14 | 103638702 | Asm, Spindle-bushings, Rh (includes items 15 and 16) | 1 |
| 15 | 102288201 | Bushing - Flanged | 2 |
| 16 | N/A | Fitting, Grease, Knuckle Spindle Asym | 1 |
| 17 | 103638801 | Kit, King Pin Joints, Prec (includes items 18 through 21) | 1 |
| 18 | 102288201 | Bushing - Flanged | 4 |
| 19 | 102288401 | Wave Washer - Kingpin | 2 |
| 20 | 102878201 | Nut, Lock,m12,washer,conical | 2 |
| 21 | 103638601 | Asm, King Pin, M12 | 2 |
| 22 | 103711001 | Asm, Spring, Leaf, Front, Prec (includes items 23 through 25) | 1 |
| 23 | 102288101 | Sleeve - Rolled, Spring | 2 |
| 24 | 102956201 | Bushing, Urethane, Short, Prec | 4 |
| 25 | N/A | Spring, 1 Leaf, Front | 1 |
| 26 | 706 | Nut, Hex 3/8-16 | 1 |
| 27 | 8745 | Screw, Eccentric Adjustment | 1 |
| Note: Kingpin (CC part number 103638601) was installed on Precedent vehicles with serial number 0928-034748 and greater. | | | |

5

G

E

5
G
E



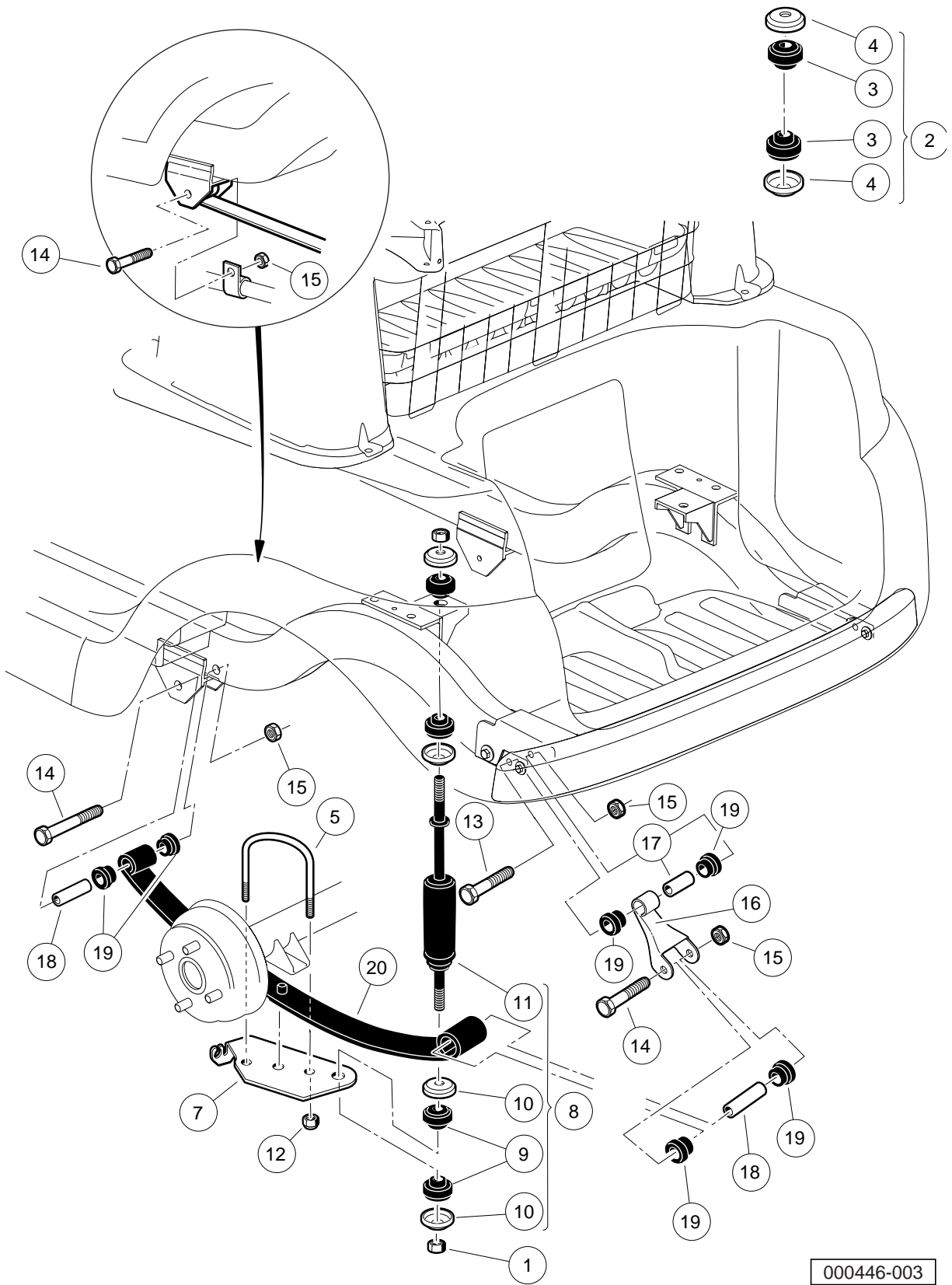
000446-003

REAR SUSPENSION – GASOLINE VEHICLE

| ITEM | PART NO. | DESCRIPTION | QTY |
|------|-----------|--|-----|
| | | 1 2 3 4 | |
| 1 | 1010145 | Nut, 3/8-24 Hex | 4 |
| 2 | 1011415 | Kit, Shock Absorber Cushion (includes items 3 and 4) | 2 |
| 3 | N/A | Cushion, Shock Absorber | 2 |
| 4 | N/A | Retainer, Shock Absorber Cushion | 2 |
| 5 | 1012180 | U-Bolt | 2 |
| 6 | 1012181 | Bracket, Shock Mounting, Right (Passenger) | 1 |
| 7 | 1012182 | Bracket, Shock Mounting, Left (Driver) | 1 |
| 8 | 1013164 | Shock Absorber Kit (includes items 9 through 11) | 1 |
| 9 | N/A | Cushion, Shock Absorber | 8 |
| 10 | N/A | Retainer, Shock Absorber Cushion | 8 |
| 11 | 102588501 | Shock Absorber Rear Prv Spd | 2 |
| 12 | 1014555 | Locknut, 7/16-14 Nylon Hex | 4 |
| 13 | 102298170 | Bolt - Flange Hd, M8 X 70.0 | 2 |
| 14 | 102298185 | Bolt - Flange Hd, M8 X 85.0 | 4 |
| 15 | 102298401 | Nut,m8,all Metal Lock | 6 |
| 16 | 102506201 | Shackle - Rear | 2 |
| 17 | 102506301 | Sleeve - Shackle Upper | 2 |
| 18 | 102506401 | Sleeve - Spring Eye Mounts | 4 |
| 19 | 102506601 | Bushing - Urethane | 12 |
| 20 | 102513001 | Rear Leaf Spring, Gas | 2 |

5
G
E

5
G
E

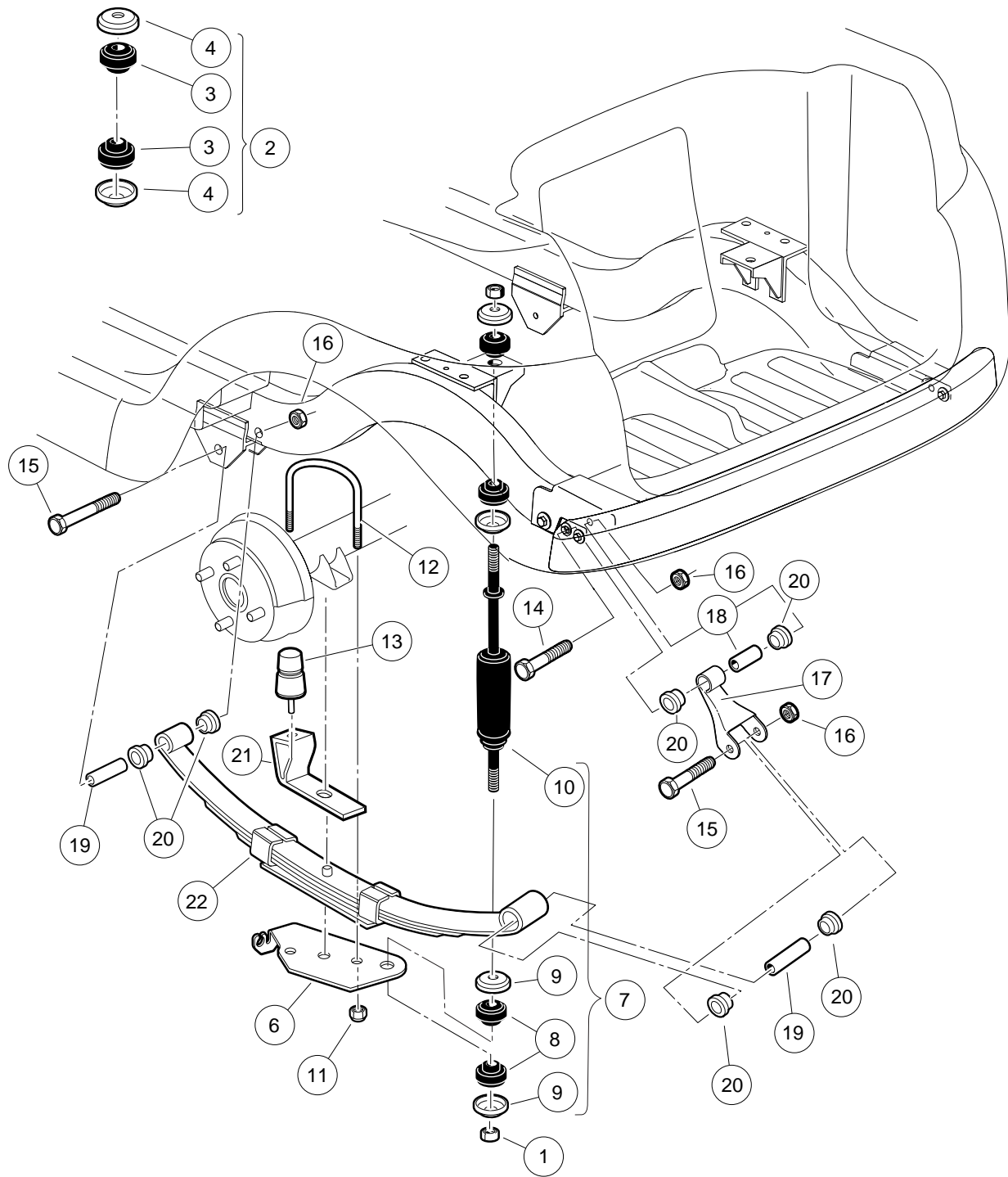


000446-003

REAR SUSPENSION – ELECTRIC VEHICLE

| ITEM | PART NO. | DESCRIPTION | QTY | |
|------|-----------|--|-----|----------|
| | | 1 2 3 4 | | 5 |
| 1 | 1010145 | Nut, 3/8-24 Hex | 4 | G |
| 2 | 1011415 | Kit, Shock Absorber Cushion (includes items 3 and 4) | 2 | E |
| 3 | N/A | Cushion, Shock Absorber | 2 | |
| 4 | N/A | Retainer, Shock Absorber Cushion | 2 | |
| 5 | 1012180 | U-Bolt | 2 | |
| 6 | 1012181 | Bracket, Shock Mounting, Right (Passenger) | 1 | |
| 7 | 1012182 | Bracket, Shock Mounting, Left (Driver) | 1 | |
| 8 | 1013164 | Shock Absorber Kit (includes items 9 through 11) | 1 | |
| 9 | N/A | Cushion, Shock Absorber | 8 | |
| 10 | N/A | Retainer, Shock Absorber Cushion | 8 | |
| 11 | 102588501 | Shock Absorber Rear Prv Spd | 2 | |
| 12 | 1014555 | Locknut, 7/16-14 Nylon Hex | 4 | |
| 13 | 102298170 | Bolt - Flange Hd, M8 X 70.0 | 2 | |
| 14 | 102298185 | Bolt - Flange Hd, M8 X 85.0 | 4 | |
| 15 | 102298401 | Nut,m8,all Metal Lock | 6 | |
| 16 | 102506201 | Shackle - Rear | 2 | |
| 17 | 102506301 | Sleeve - Shackle Upper | 2 | |
| 18 | 102506401 | Sleeve - Spring Eye Mounts | 4 | |
| 19 | 102506601 | Bushing - Urethane | 12 | |
| 20 | 102509301 | Rear Leaf Spring, Elec | 2 | |

5
G
E



000492-002

REAR SUSPENSION – PRECEDENT VILLAGER 4

| ITEM | PART NO. | DESCRIPTION | QTY |
|------|-----------|--|-----|
| | | 1 2 3 4 | |
| 1 | 1010145 | Nut, 3/8-24 Hex | 4 |
| 2 | 1011415 | Kit, Shock Absorber Cushion (includes items 3 and 4) | 2 |
| 3 | N/A | Cushion, Shock Absorber | 2 |
| 4 | N/A | Retainer, Shock Absorber Cushion | 2 |
| 5 | 1012181 | Bracket, Shock Mounting, Right (Passenger) | 1 |
| 6 | 1012182 | Bracket, Shock Mounting, Left (Driver) | 1 |
| 7 | 1013164 | Shock Absorber Kit (includes items 8 through 10) | 1 |
| 8 | N/A | Cushion, Shock Absorber | 8 |
| 9 | N/A | Retainer, Shock Absorber Cushion | 8 |
| 10 | 102588501 | Shock Absorber Rear Prv Spd | 2 |
| 11 | 1014555 | Locknut, 7/16-14 Nylon Hex | 4 |
| 12 | 1014902 | U-Bolt | 2 |
| 13 | 1017235 | Bumper, Jounce | 2 |
| 14 | 102298170 | Bolt - Flange Hd, M8 X 70.0 | 2 |
| 15 | 102298185 | Bolt - Flange Hd, M8 X 85.0 | 4 |
| 16 | 102298401 | Nut,m8,all Metal Lock | 6 |
| 17 | 102506201 | Shackle - Rear | 2 |
| 18 | 102506301 | Sleeve - Shackle Upper | 2 |
| 19 | 102506401 | Sleeve - Spring Eye Mounts | 4 |
| 20 | 102506601 | Bushing - Urethane | 12 |
| 21 | 102534801 | Jounce Bumper Bracket | 2 |
| 22 | 102544901 | Spring, Leaf, Rear | 2 |

5
G
E

5

G

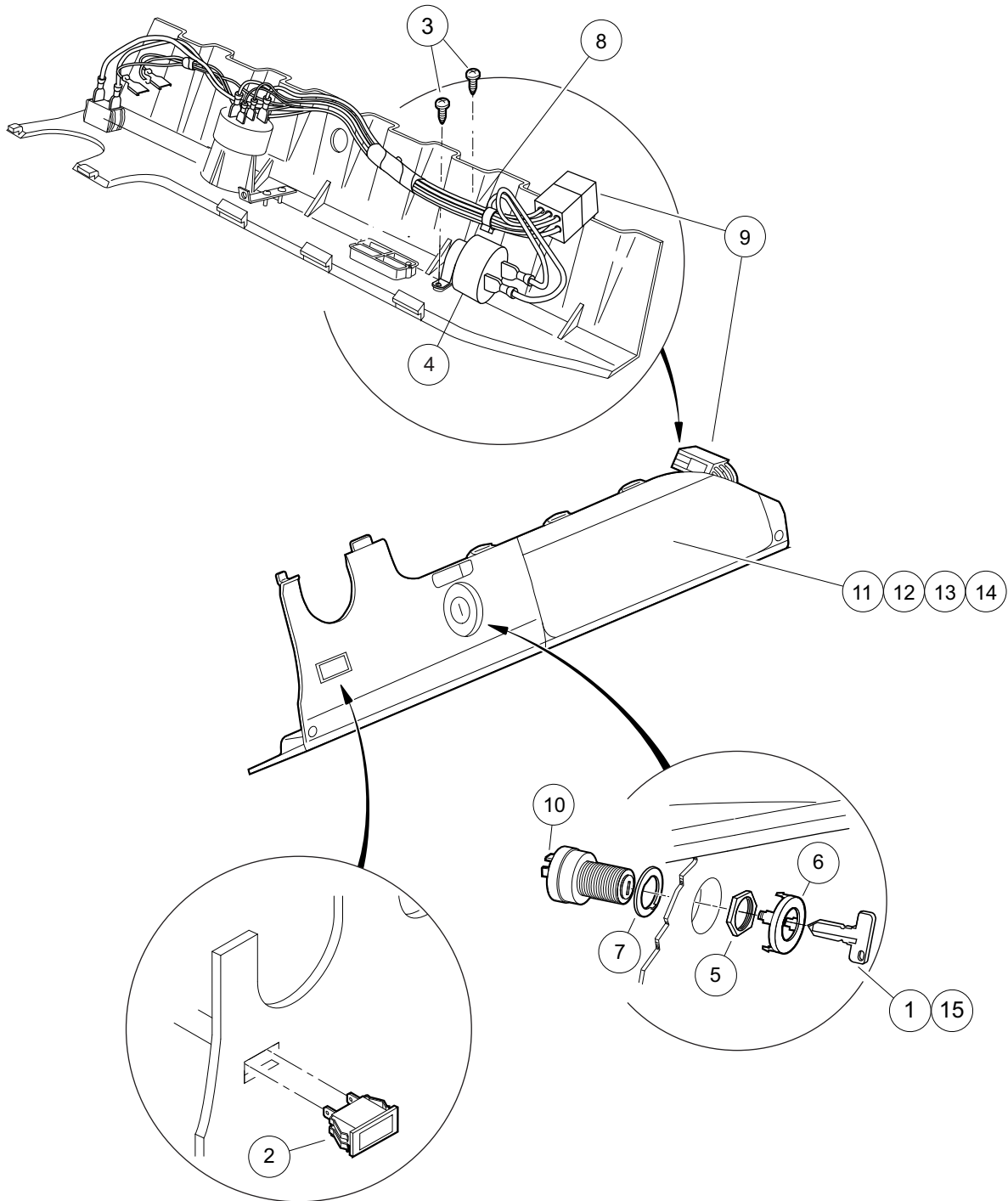
E

ELECTRICAL SYSTEM – GASOLINE VEHICLE

6

G

6
G

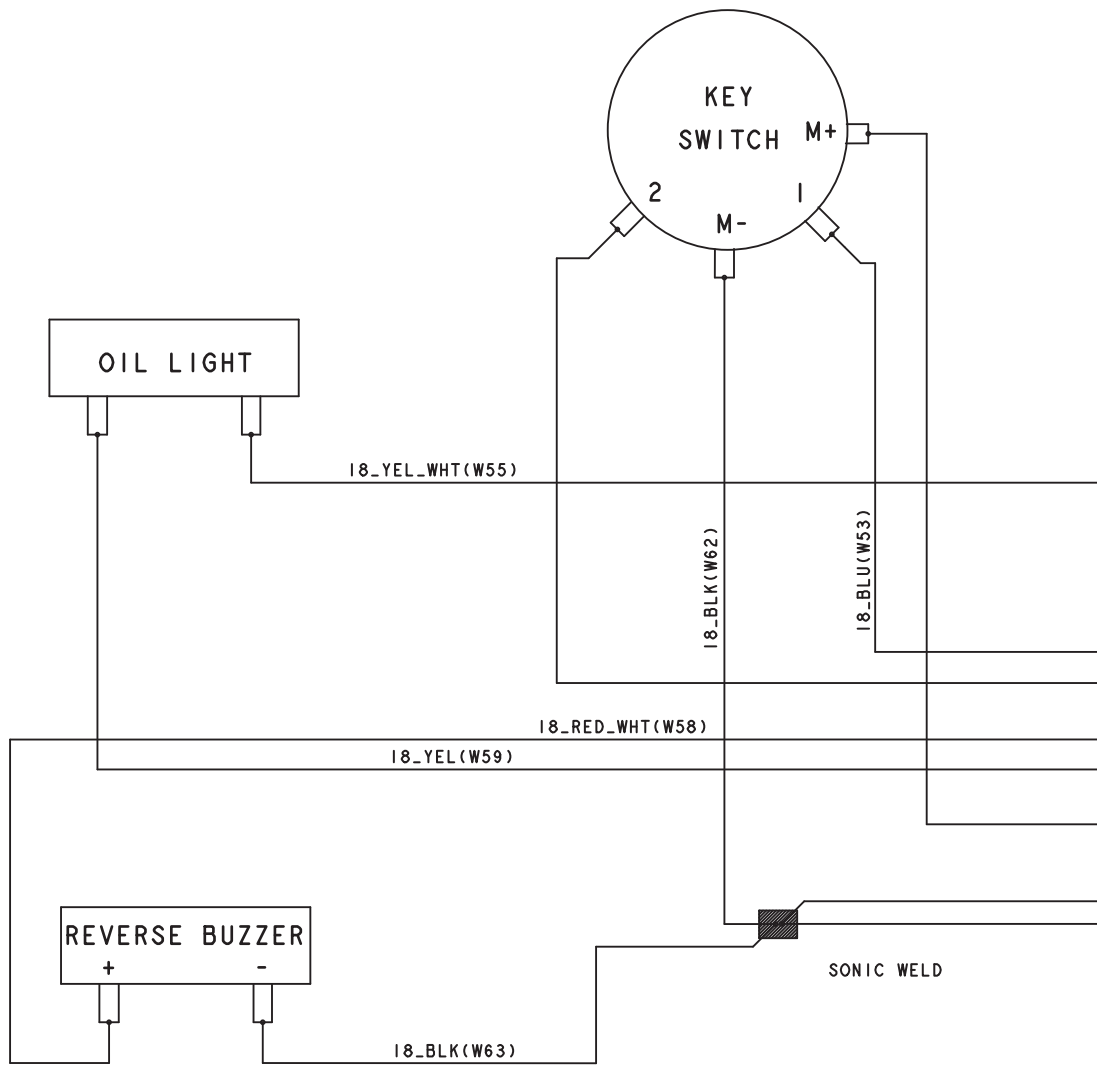


000490-003

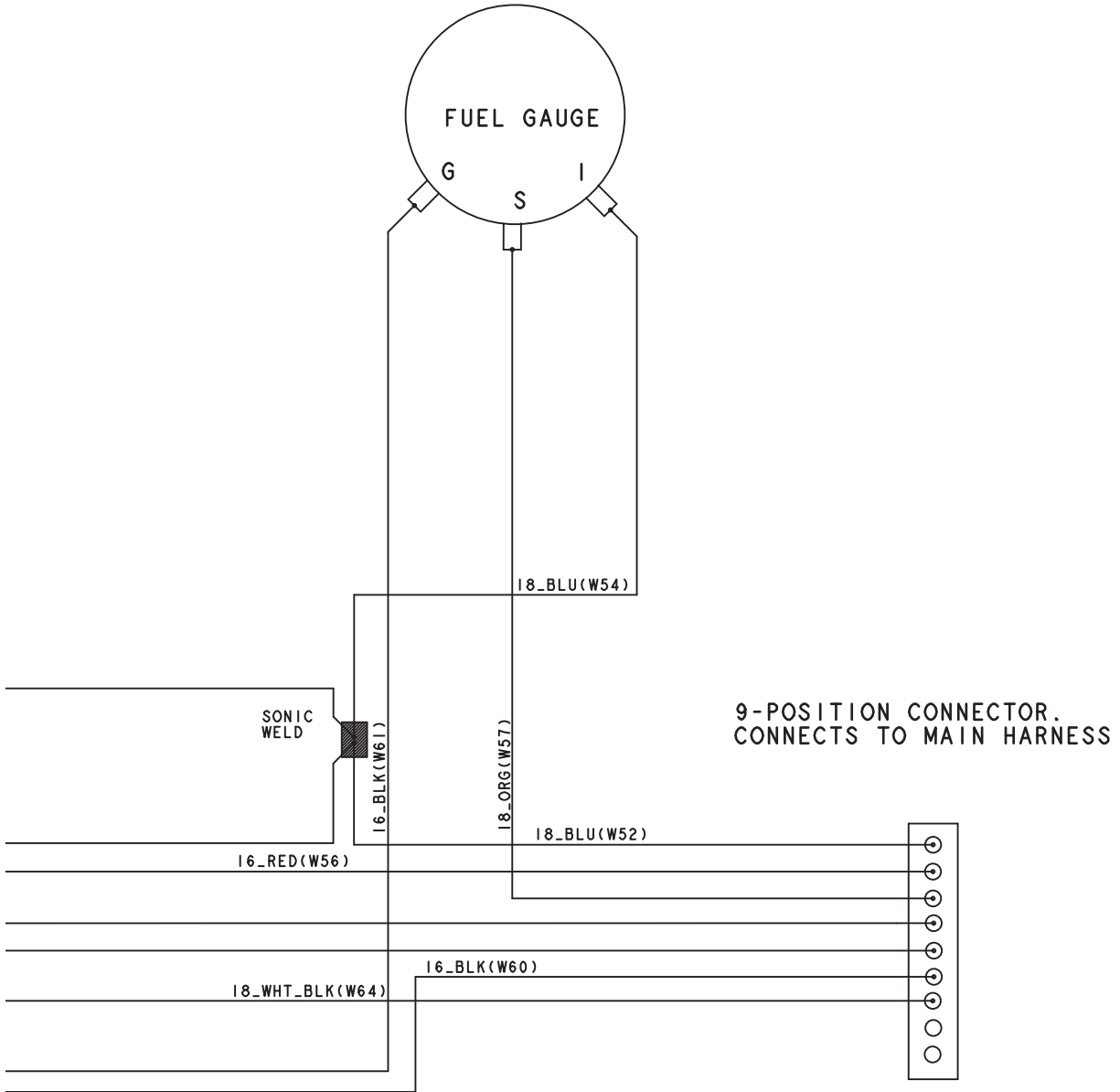
ELECTRICAL COMPONENTS, FRONT BODY – GASOLINE VEHICLE

| ITEM | PART NO. | DESCRIPTION | QTY |
|------|-----------|--|-----|
| | | 1 2 3 4 | |
| 1 | 1012505 | Keys (set of 2) | 1 |
| 2 | 1016630 | Light, Oil | 1 |
| 3 | 1016849 | Screw, #4-24 X 0.33 Pan-Head Machine | 2 |
| 4 | 1016851 | Buzzer, Reverse (9-48 VDC) | 1 |
| 5 | 101830701 | Nut, Key Switch | 1 |
| 6 | 101834502 | Cap, Black Key Switch | 1 |
| 7 | 101851101 | Washer, Key Switch | 1 |
| 8 | 102515001 | Ip Control Harness, Gas (includes item 9) | 1 |
| 9 | N/A | Connector, Plug 9-pin | 1 |
| 10 | 102515101 | Key Switch, Gas, Prec | 1 |
| 11 | 102522901 | Instrument Panel (standard) | 1 |
| 12 | 102536601 | Instrument Panel (with Hole for Headlight Switch) | 1 |
| 13 | 102536602 | Instrument Panel (with Hole for Fuel Gauge) | 1 |
| 14 | 102536604 | Instrument Panel (with Hole for Headlight Switch and Fuel Gauge) | 1 |
| 15 | AM10079 | Bulk Std Keys (50) * | 1 |
| | | * Note: Must order in multiples of 50. | |

6
G



000489-001



000489-001

6

G

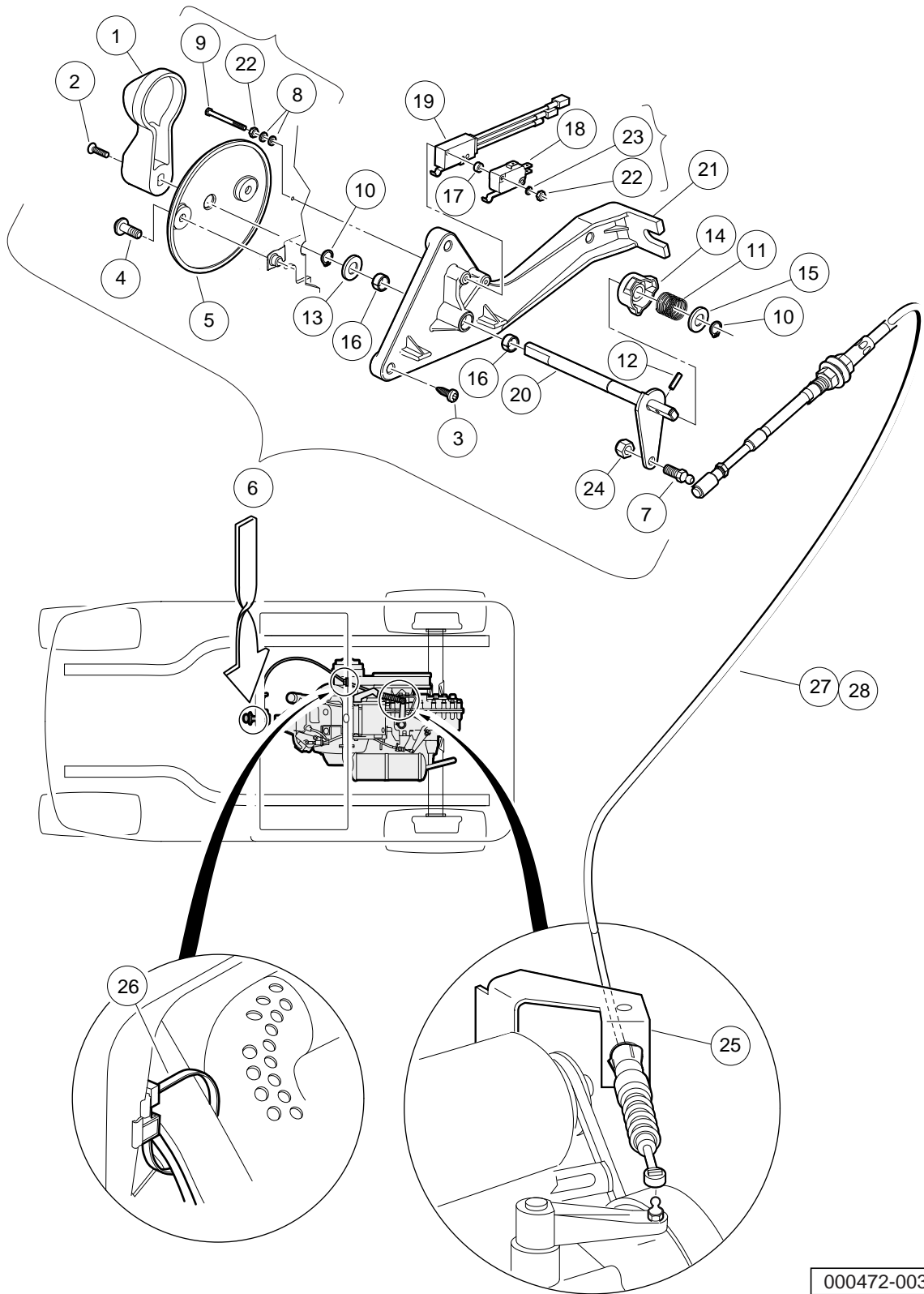
See previous two pages for illustration.

INSTRUMENT PANEL WIRE HARNESS

| ITEM | PART NO. | DESCRIPTION | QTY |
|------|-----------|--|-----|
| 1 | 102515001 | 1 2 3 4 Ip Control Harness, Gas (includes item 2) | 1 |
| 2 | N/A | Connector, Plug 9-pin | 1 |

6
G

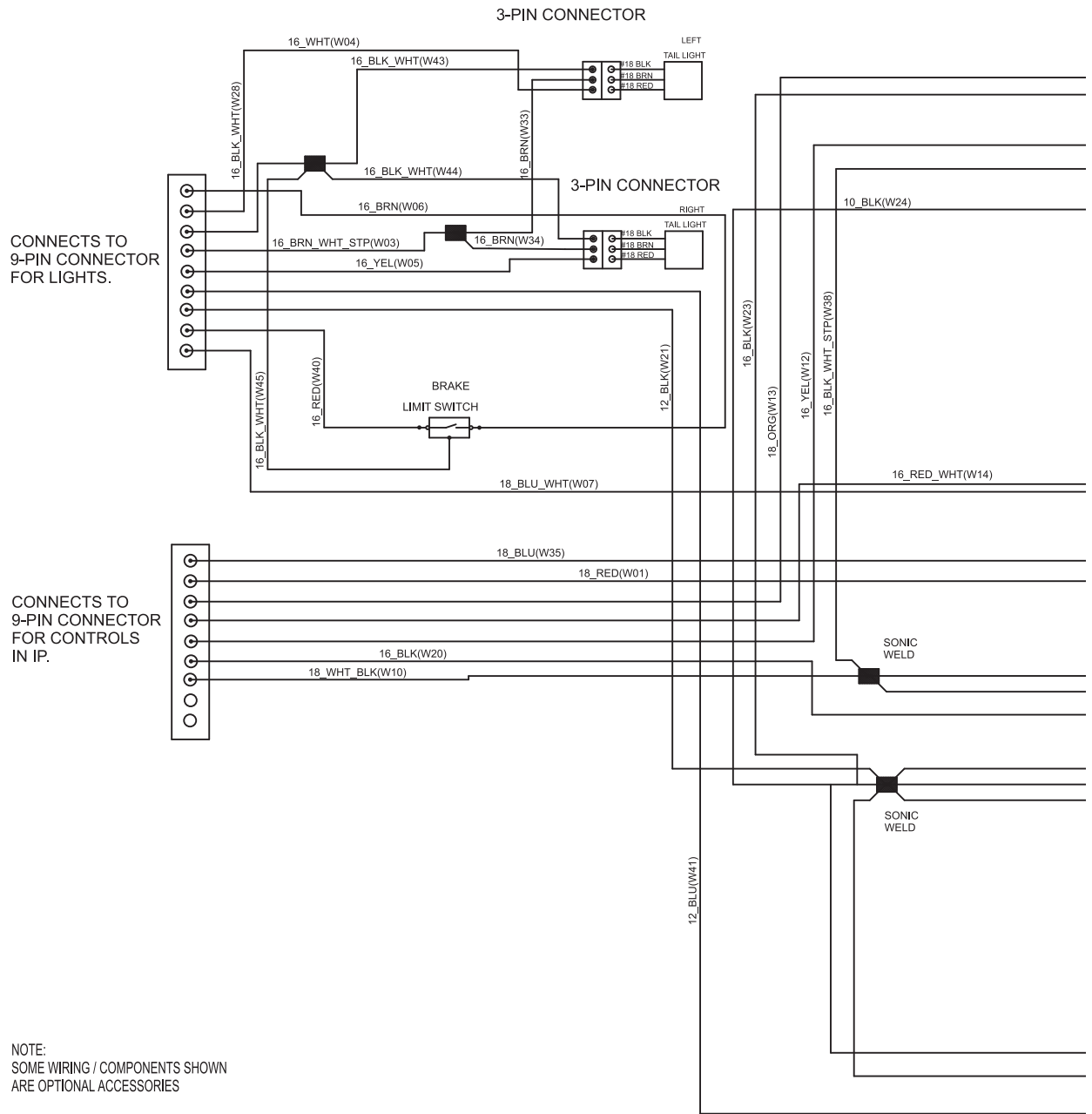
6
G



FORWARD/REVERSE SHIFTER ASSEMBLY – GASOLINE VEHICLE

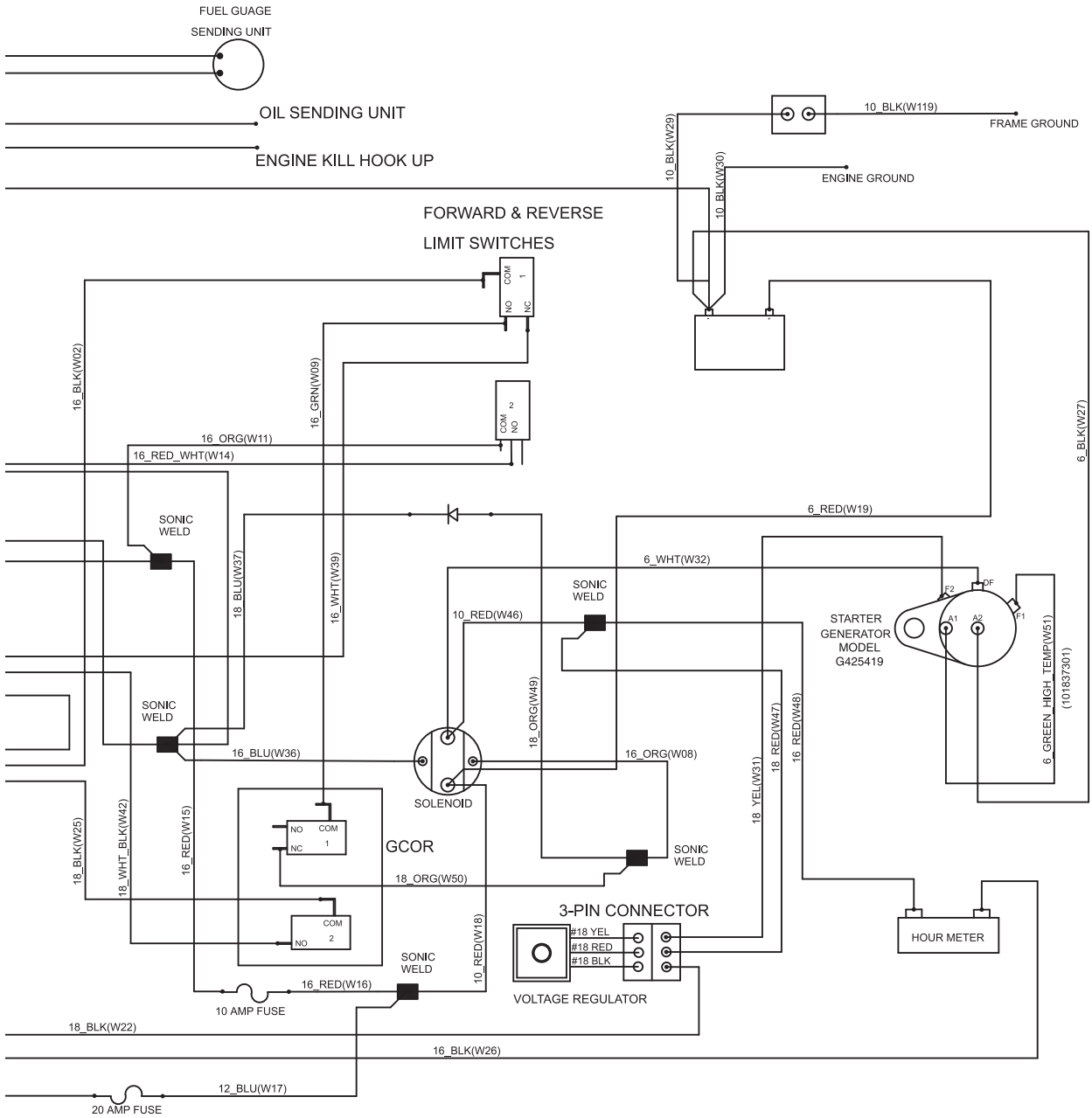
| ITEM | PART NO. | DESCRIPTION | QTY |
|------|-----------|--|-----|
| | | 1 2 3 4 | |
| 1 | 1012987 | Handle, FNR | 1 |
| 2 | 1015064 | Screw, #8-32 X 0.63 Machine | 1 |
| 3 | 102296040 | Screw, Torx Pan Hd Pt, M6 X 40 | 3 |
| 4 | 102296920 | Screw, M6 Torx Bttn Hd Sems | 2 |
| 5 | 102512001 | Bezel, FNR Gas | 1 |
| 6 | 102514601 | Assembly - Gas F-n-r Shifter (includes items 7 through 24) | 1 |
| 7 | 1010954 | Stud, 1/4-28 X 0.560 Ball | 1 |
| 8 | 1012431 | Washer, #4 Flat | 4 |
| 9 | 1012594 | Screw, #4-40 Machine | 2 |
| 10 | 1013589 | Ring, 0.338" Internal Retaining | 2 |
| 11 | 1013590 | Spring, FNR Cam | 1 |
| 12 | 1013591 | Pin, 1/8 X 1/2 Roll | 1 |
| 13 | 1014065 | Washer, 0.38" ID Delrin Flat | 1 |
| 14 | 1014089 | Neutral Lockout Cam Kit (includes item 15) | 1 |
| 15 | 1014065 | Washer, 0.38" ID Delrin Flat | 1 |
| 16 | 1014145 | Bushing, Secondary Weight, Split | 2 |
| 17 | 1014727 | Washer, #4 Nylon Flat | 2 |
| 18 | 1014807 | Switch, Limit | 1 |
| 19 | 101979101 | Assembly, Switch, Limit | 1 |
| 20 | 102515301 | Weldment, F-n-r Gas | 1 |
| 21 | 102515601 | Base, Gas FNR Shifter | 1 |
| 22 | 8057 | Nut, #4-40 Hex Machine | 4 |
| 23 | 8058 | Lockwasher, #4 Split | 2 |
| 24 | 8717 | Locknut, 1/4-28 Nylon Insert | 1 |
| 25 | 102515501 | Bracket-trans Cable Support | 1 |
| 26 | 102554901 | Clip,edge,trans Shift Cable | 1 |
| 27 | 102589901 | Cable, Transmission | 1 |
| 28 | 103379601 | Cable, Transmission, Prec * | 1 |
| | | * Note: Item 27 replaced Transmission Cable 102589901 and is retrofitable for all Precedent Vehicles with FE350 engines. | |

6
G



NOTE:
SOME WIRING / COMPONENTS SHOWN
ARE OPTIONAL ACCESSORIES

000481-001



000481-001

6

G

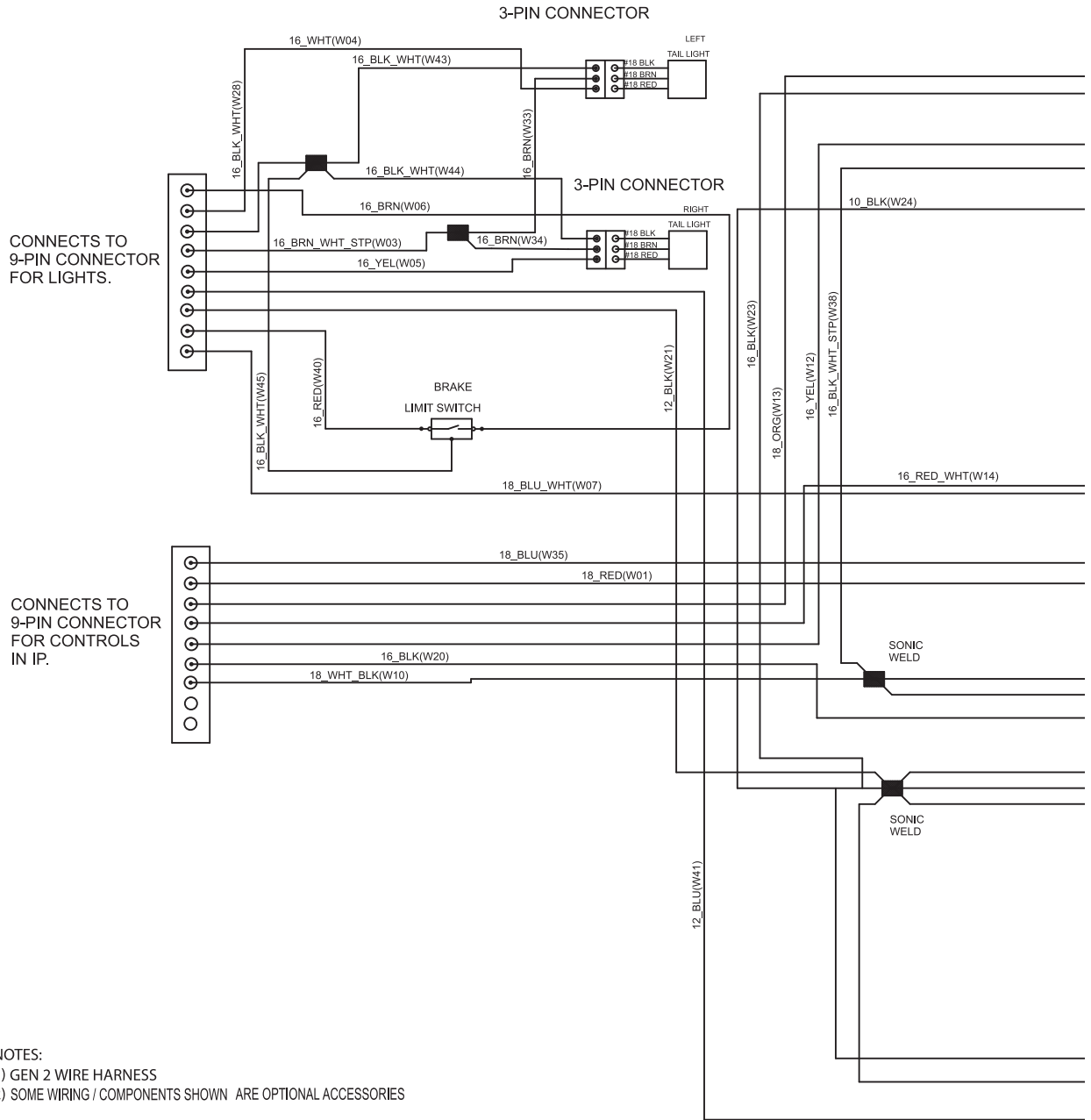
See previous two pages for illustration.

WIRING (GENERATION 1)- GASOLINE VEHICLE

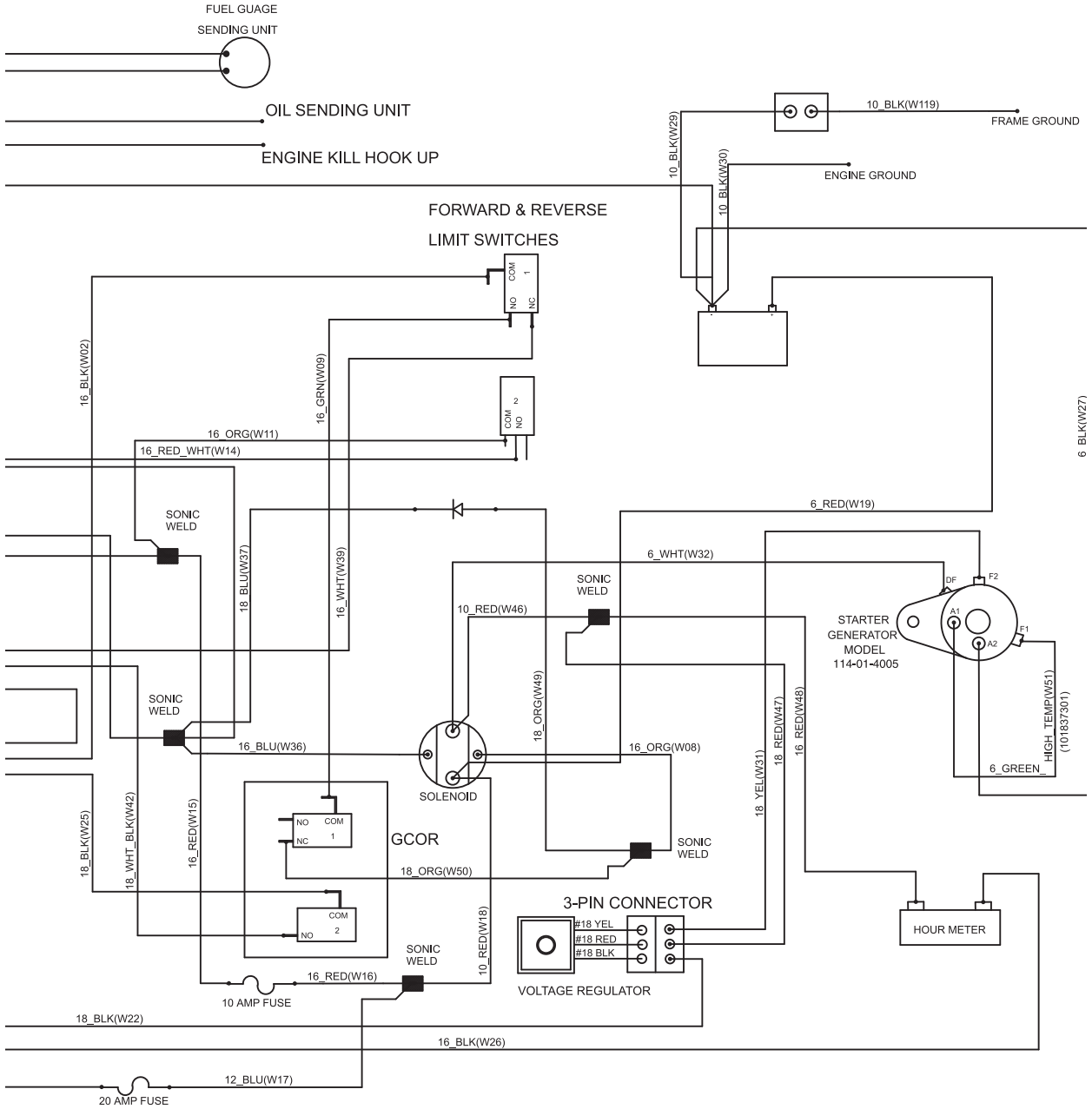
| ITEM | PART NO. | DESCRIPTION | QTY |
|------|-----------|------------------------------------|-----|
| 1 | 102586201 | 1 2 3 4 Main Harness, Gas | 1 |

6

G



000481-002



000481-003

6

G

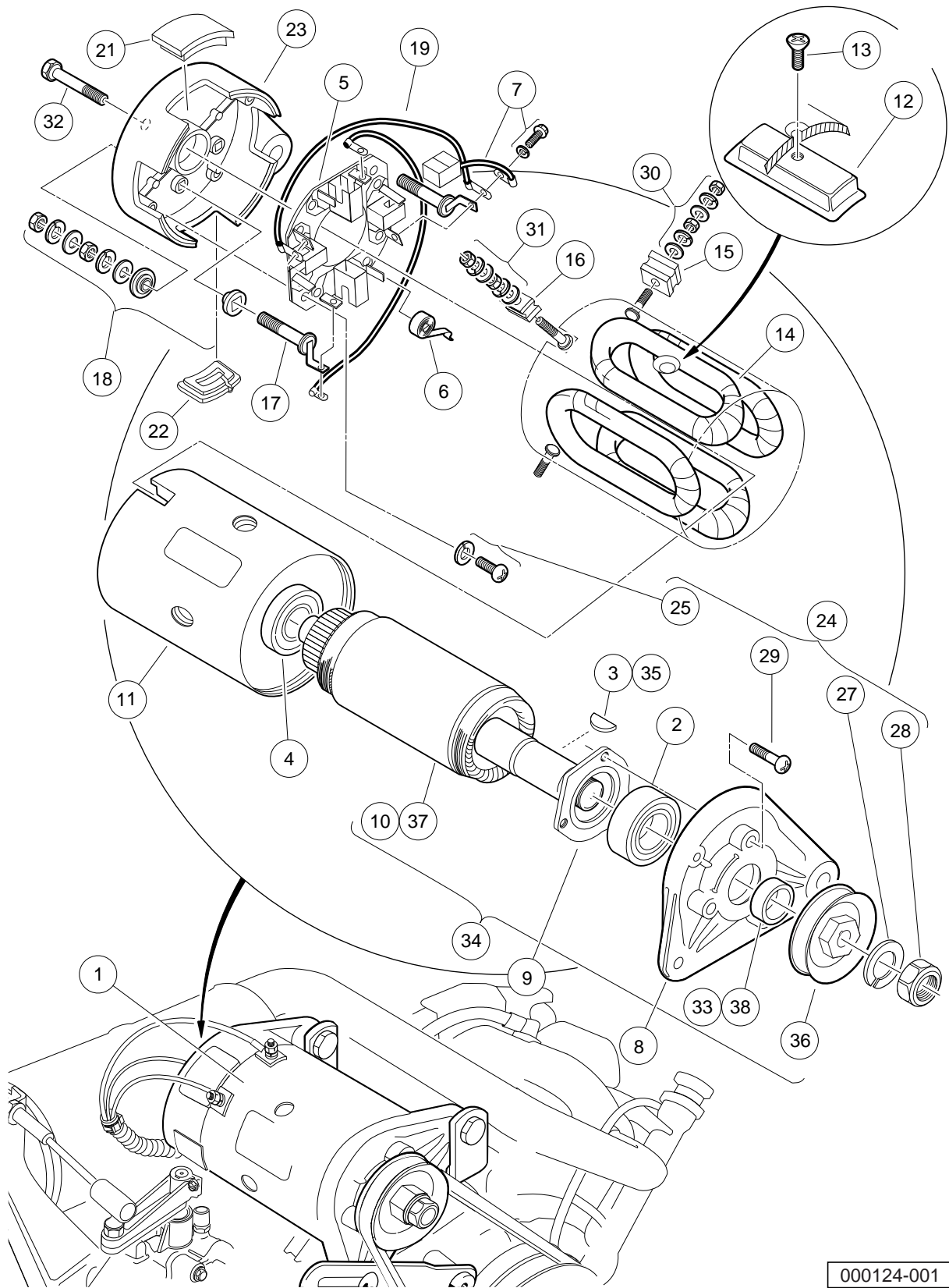
See previous two pages for illustration.

WIRING (WITH GENERATION 2 PEDAL GROUP) – GASOLINE VEHICLE

| ITEM | PART NO. | DESCRIPTION | QTY |
|------|-----------|--|-----|
| 1 | 103536501 | 1 2 3 4 Harness, Prec Gas, Main (For Generation 2 Pedal Group- includes item 2) (includes item 2) | 1 |
| 2 | N/A | Conn, 6 Pos, Packard 12162210 | 1 |

6
G

6
G

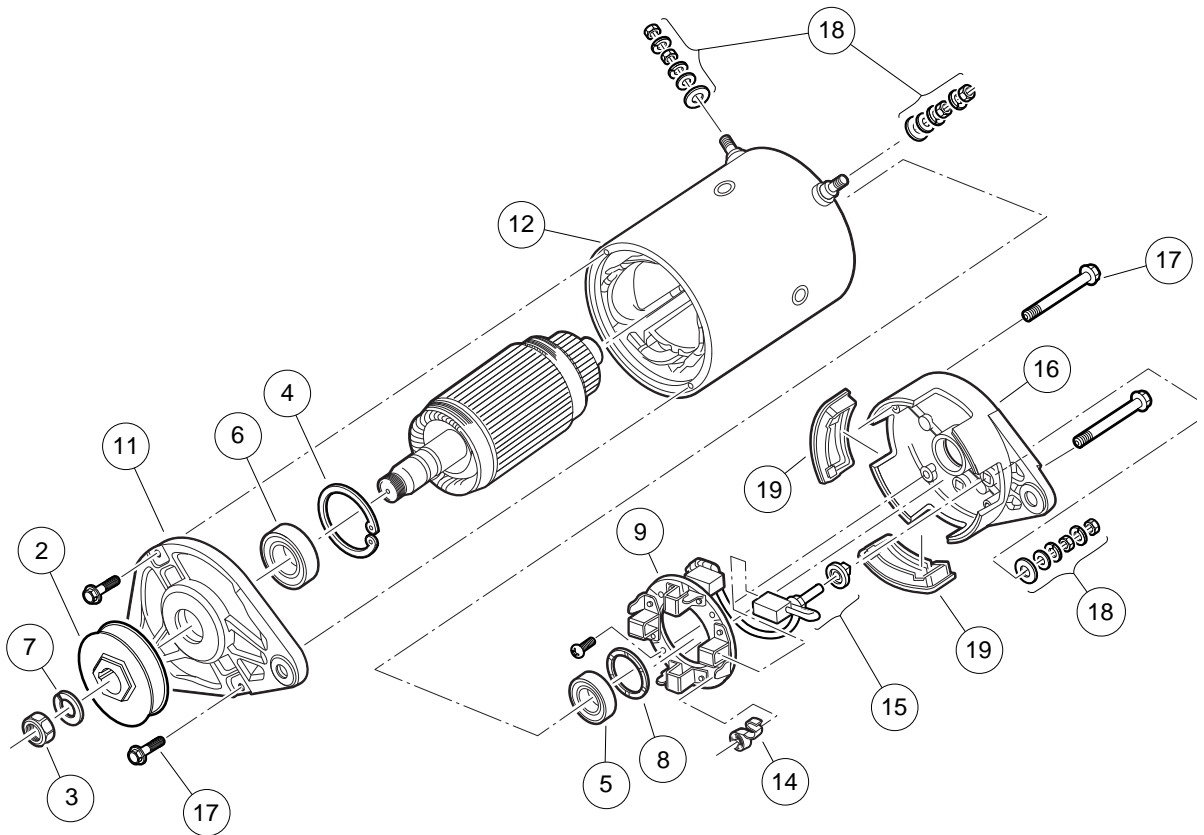


000124-001

STARTER/GENERATOR ASSEMBLY MODEL G425419 (STYLE A) – GASOLINE VEHICLES

| ITEM | PART NO. | DESCRIPTION | QTY |
|------|-----------|--|-----|
| | | 1 2 3 4 | |
| 1 | 101833701 | Starter/Generator (cw) (includes items 2 through 33) | 1 |
| 2 | 1013001 | Bearing, Output Shaft Ball | 1 |
| 3 | 1013003 | Key, Starter/Generator | 1 |
| 4 | 1013005 | Bearing, Ball | 1 |
| 5 | 101301102 | Brush Holder Assembly (cw) (includes item 6) | 1 |
| 6 | 101878101 | Brush Spring Set | 4 |
| 7 | 101869302 | Brush and Screw Set (cw) | 1 |
| 8 | 101874901 | Front Bracket | 1 |
| 9 | 101875001 | Retainer | 1 |
| 10 | 101875101 | Armature | 1 |
| 11 | 101875201 | Field Coil Housing | 1 |
| 12 | 101875301 | Pole Set | 1 |
| 13 | 101875401 | Screw Set | 1 |
| 14 | 101875501 | Field Stator Coil Assembly | 1 |
| 15 | 101875601 | F Insulator Set | 2 |
| 16 | 101875701 | DF Insulator | 1 |
| 17 | 101875802 | A Connector (cw) | 1 |
| 18 | 101876001 | Screw and Mold Assembly | 2 |
| 19 | 101876202 | Brush Connector Assembly (cw) | 2 |
| 20 | 101876301 | Cover Set (includes items 21 and 22) | 1 |
| 21 | N/A | Brush Inspection Port Cover | 3 |
| 22 | 1017653 | Brush Port Cover w/Drain | 1 |
| 23 | 101876402 | End Bell, Commutator, Rear Bracket (cw) | 1 |
| 24 | 101876501 | Nut and Screw Set (includes items 25 through 29) | 1 |
| 25 | 101896501 | Brush Holder Asm Screw | 2 |
| 26 | N/A | Washer, M5 Flat | 1 |
| 27 | N/A | Washer, M14 Lock | 1 |
| 28 | N/A | Nut, Hex, M14 x 2 | 1 |
| 29 | N/A | Screw, M5 x 0.8 x 18mm | 3 |
| 30 | 101877601 | Nut and Washer Set | 2 |
| 31 | 101877701 | Nut and Washer Set | 1 |
| 32 | 101879001 | Through Bolt Set | 2 |
| 33 | 101939901 | Spacer | 1 |
| 34 | 101875102 | Armature Asm Conversion Kit (includes items 35 through 38) | 1 |
| 35 | 1013003 | Key, Starter/Generator | 1 |
| 36 | 1014289 | Pulley, Starter/Generator | 1 |
| 37 | 101875101 | Armature | 1 |
| 38 | 101939901 | Spacer | 1 |
| | | Note: Model G425419 Starter/Generator for use on Precedent Vehicles with serial numbers lower than 0908-003850. Item 36 will ONLY fit Model G425419 Starter/Generator. | |

6
G

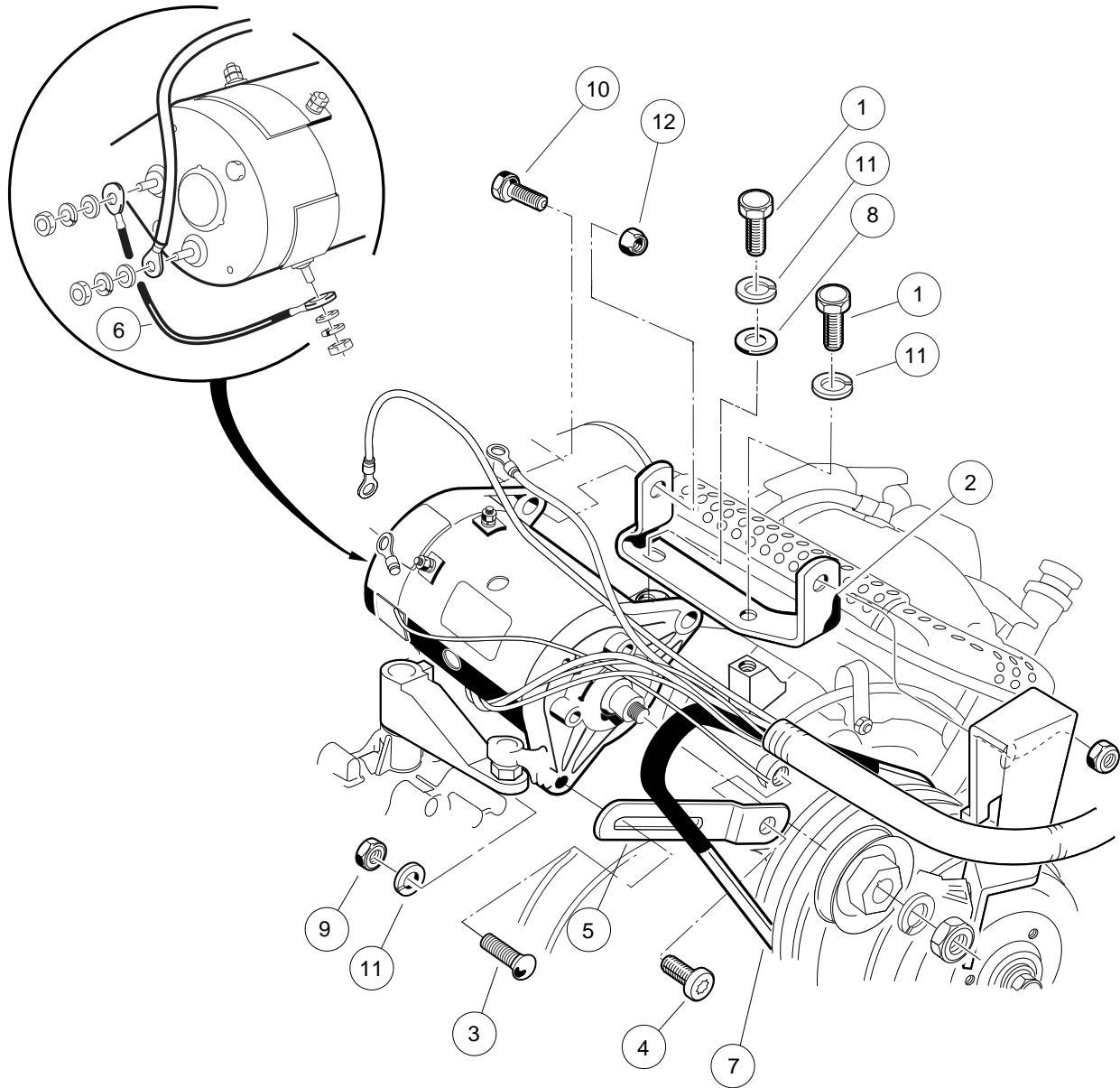


000124-002

STARTER/GENERATOR (S/G) ASSEMBLY MODEL 114-01-4005 *- GASOLINE VEHICLES

| ITEM | PART NO. | DESCRIPTION | QTY |
|--|-----------|--|-----|
| | | 1 2 3 4 | |
| 1 | 102628201 | Starter/Generator Bi-Rotational (includes items 2 through 19) | 1 |
| 2 | 102711001 | Pulley, V-Belt | 1 |
| 3 | 102838701 | Nut, Hex, M14x2, S/G | 1 |
| 4 | 102838801 | Retainer, Front, S/G | 1 |
| 5 | 102838901 | Bearing, Ball, Front, S-g | 1 |
| 6 | 102839001 | Bearing, Ball, Front, S-g | 1 |
| 7 | 102839301 | Washer, Lock M14x2, S-g | 1 |
| 8 | 102841101 | Washer, Wave, S-g | 1 |
| 9 | 102844401 | Assembly, Brush Plate, Starter/Generator | 1 |
| 10 | 102844501 | Asm, Armature, Starter/Generator | 1 |
| 11 | 102844601 | Head, Drive End, S-g | 1 |
| 12 | 102844701 | Asm, Frame and Field, Starter/Generator | 1 |
| 13 | 103347101 | Kit, Spring Brush, Starter/Generator (includes item 14) | 1 |
| 14 | N/A | Spring, Brush, S-g | 4 |
| 15 | 103347301 | Set, Brush Term, S-g | 1 |
| 16 | 103347601 | Head, Comm End, S-g | 1 |
| 17 | 103347701 | Set, Fast, Ceh Deh, S-g | 1 |
| 18 | 103347801 | Set, Term Hardware, S/G | 1 |
| 19 | 103347901 | Kit, Cover, Brush Insp, Starter/Generator (includes items 20 and 21) | 1 |
| 20 | N/A | Plug, Rubber Drain, Start/Generator | 3 |
| 21 | N/A | Cover, Inspection, S-g | 1 |
| <p>Note: *Modell 114-01-4005 Starter/Generator used on Precedent vehicles with serial numbers 0908-003850 and greater. Item 2 will ONLY fit Model 114-01-4005 Starter/Generator.</p> | | | |

6
G



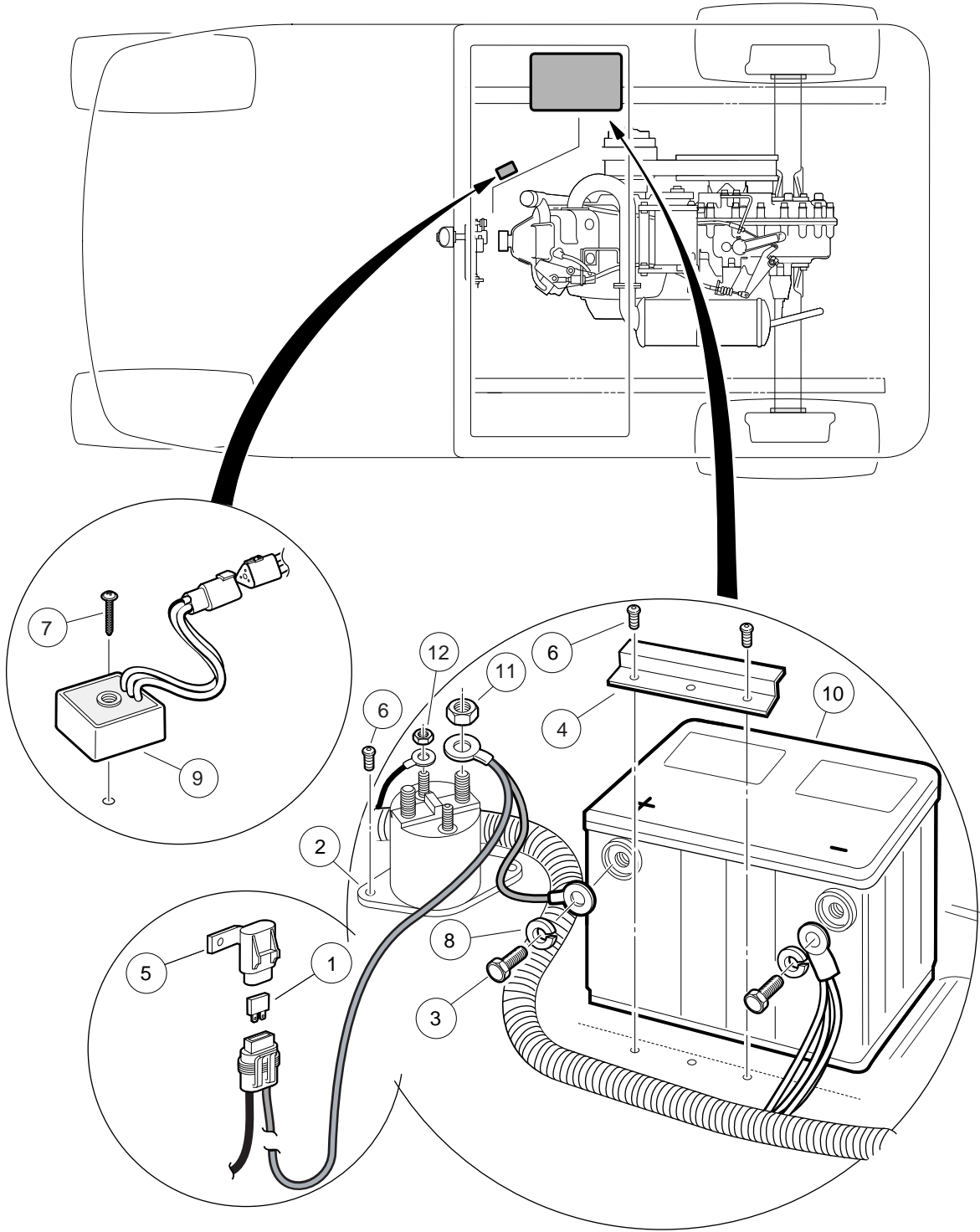
000238-004

STARTER/GENERATOR MOUNTING – FE350 (AS11, AS26)

| ITEM | PART NO. | DESCRIPTION | QTY |
|------|-----------|---|-----|
| | | 1 2 3 4 | |
| 1 | 1012830 | Screw, M8-125 X 22 Hex-Head | 2 |
| 2 | 101524002 | Bracket, Starter/Generator Mounting | 1 |
| 3 | 1015932 | Bolt, Carriage, 5/16-18 | 1 |
| 4 | 1016074 | Screw, M8-1.25 X 18mm Torx | 1 |
| 5 | 1016883 | Bracket, Starter/Generator Adjustment | 1 |
| 6 | 101837301 | Wire Assy, #6 Green | 1 |
| 7 | 101916701 | V-Belt | 1 |
| 8 | 1241 | Washer, 5/16 Type A Flat | 1 |
| 9 | 1242 | Nut, 5/16-18 Hex | 1 |
| 10 | 1624 | Screw, 3/8-16 X 1.50 Hex-Head Cap | 2 |
| 11 | 7174 | Lockwasher, 5/16 Split | 3 |
| 12 | 8754 | Locknut, 3/8-16 Hex | 2 |

6
G

6
G



000479-003

BATTERY – GASOLINE VEHICLE

| ITEM | PART NO. | DESCRIPTION | QTY |
|------|-----------|---|-----|
| | | 1 2 3 4 | |
| 1 | 1012295 | Fuse, 10-Amp | 1 |
| 2 | 1013609 | Solenoid, 12-Volt | 1 |
| 3 | 1014375 | Screw, 3/8-16 X 0.50 Stainless Steel Hex-Head | 2 |
| 4 | 101898001 | Clamp, Battery | 1 |
| 5 | N/A | Cover, Fuse, Sealed, Metri | 1 |
| 6 | 102296020 | Screw, Torx Pan Hd Pt, M6 X 20 | 4 |
| 7 | 102296040 | Screw, Torx Pan Hd Pt, M6 X 40 | 1 |
| 8 | 102355301 | Lockwasher, #10 Split Ss | 2 |
| 9 | 102803301 | Asm, Voltage Regulator, Prec. | 1 |
| 10 | 103496801 | Battery, Start, 12v | 1 |
| 11 | 1242 | Nut, 5/16-18 Hex | 2 |
| 12 | 7893 | Nut, #10-32 Hex | 2 |

6
G

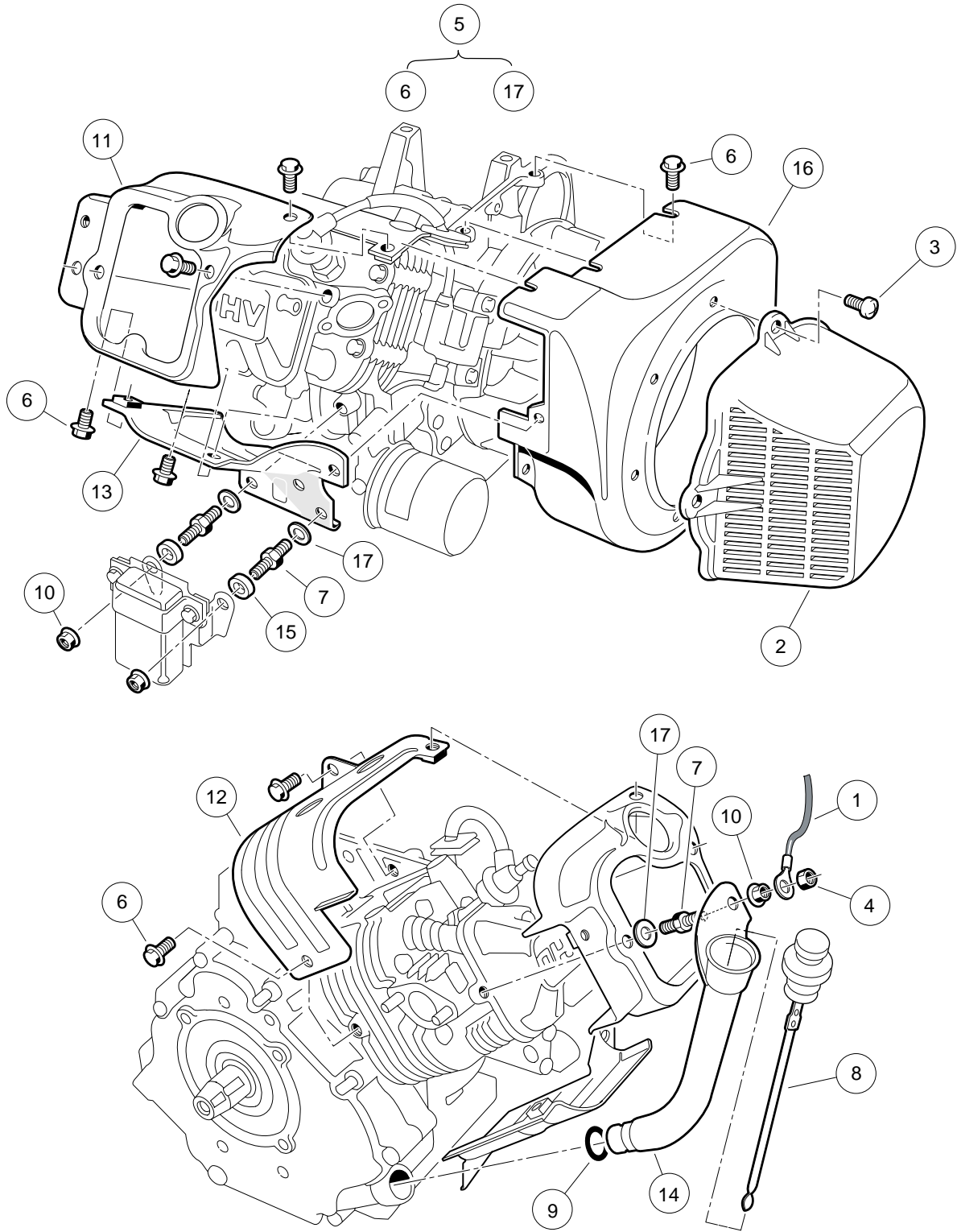
6

G

FE350 ENGINE (AS11)

7

G



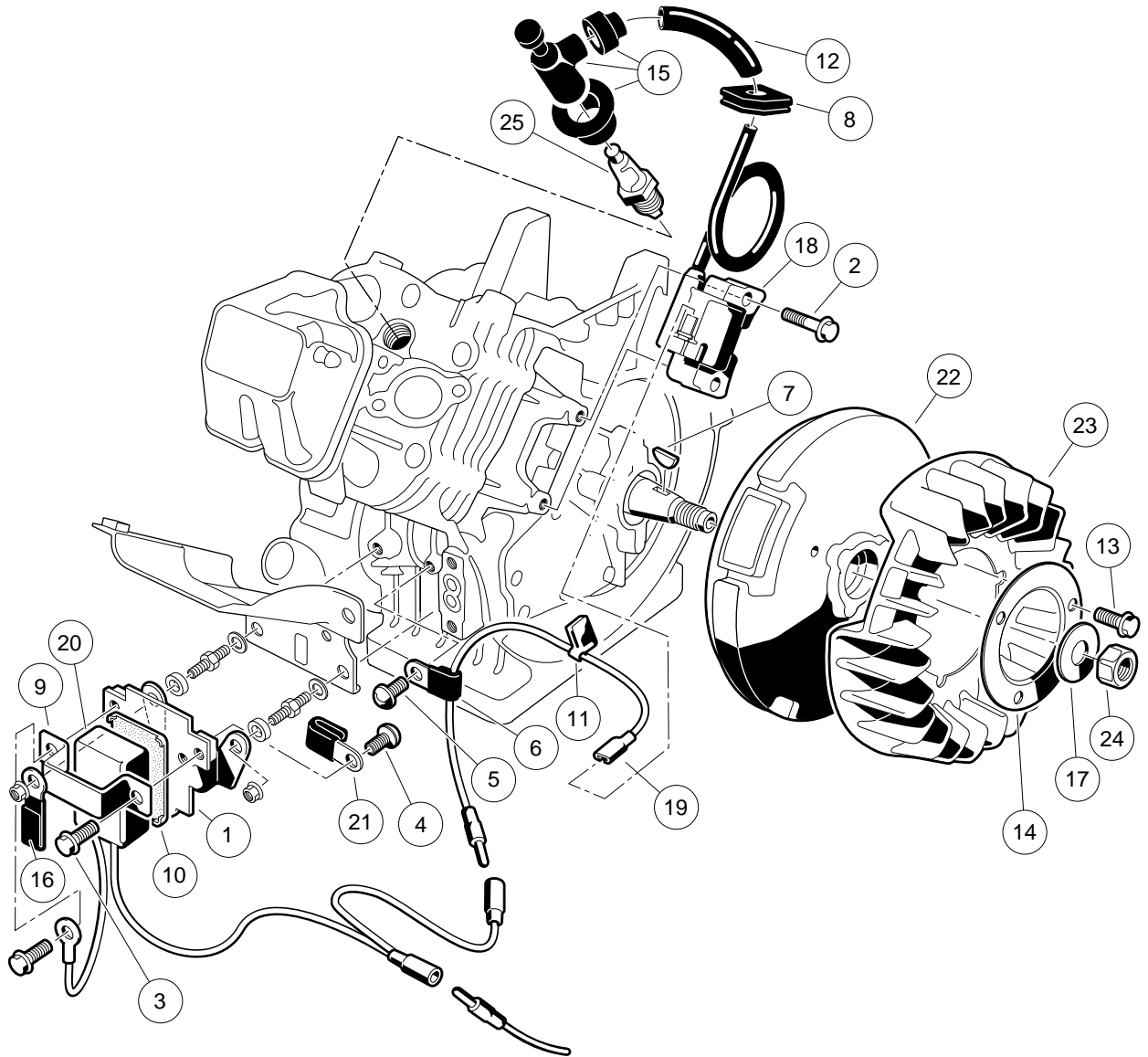
000201-001

FE350 ENGINE (AS11) – SHROUDS AND BRACKETS

| ITEM | PART NO. | DESCRIPTION | QTY |
|---|-----------|--|-----|
| | | 1 2 3 4 | |
| 1 | 1015332 | Wire Assembly, #10, Uninsulated | 1 |
| 2 | 1015649 | Shroud, Fan | 1 |
| 3 | 1015969 | Screw, M6-1.00 X 10mm Pan Hd | 4 |
| 4 | 101887601 | Locknut, M6-1.00 Nylon Insert | 1 |
| 5 | 101953802 | Engine, FE350 (cw) without ACR * (includes items 6 through 17) | 1 |
| 6 | 1016456 | Bolt, Flange Head, M6 x 1 x 12 mm | 14 |
| 7 | 1016507 | Bolt, Two-Ended | 3 |
| 8 | 1016531 | Dipstick | 1 |
| 9 | 1016539 | O-Ring | 1 |
| 10 | 1016547 | Nut, M6 Flange | 3 |
| 11 | 1017474 | Shroud, Engine | 1 |
| 12 | 1017475 | Shroud, Engine | 1 |
| 13 | 1017476 | Shroud, Engine | 1 |
| 14 | 1017486 | Tube, Oil Filler | 1 |
| 15 | 1017500 | Spacer 6.50 X 12 X 5.5 | 2 |
| 16 | 101916101 | Housing, FE350 Fan | 1 |
| 17 | N/A | Washer, 6mm Flat | 3 |
| <p>Note: The AS11 engine qualifies for use in 2009 vehicles in all states except California due to their regulations for 2009 and newer vehicles.</p> | | | |

7

G



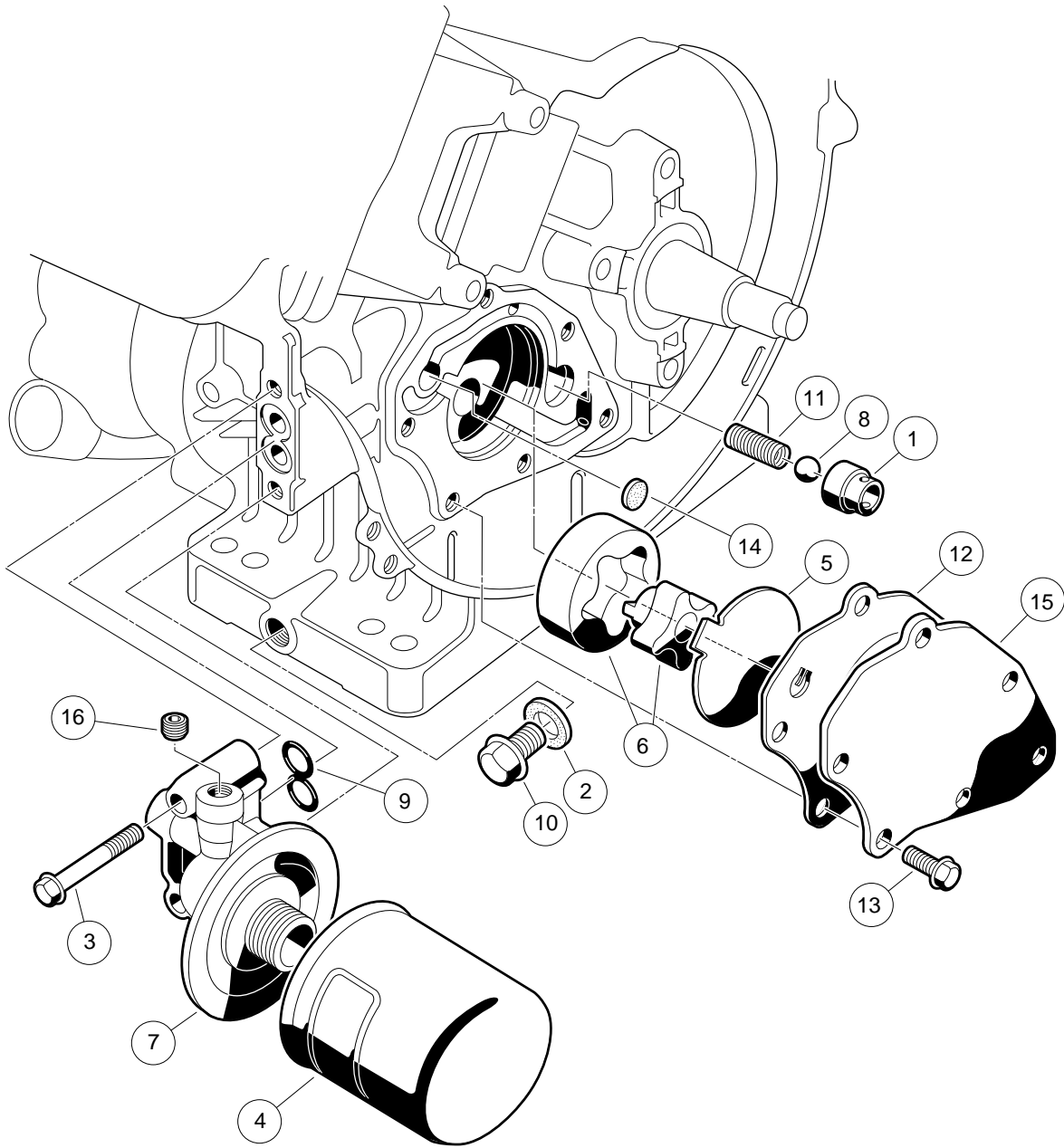
000202-003

FE350 ENGINE (AS11) – IGNITION COMPONENTS AND FLYWHEEL

| ITEM | PART NO. | DESCRIPTION | QTY |
|------|-----------|---|-----|
| | | 1 2 3 4 | |
| 1 | 1016445 | Bracket, RPM Limiter | 1 |
| 2 | 1016455 | Bolt, Flange Head | 2 |
| 3 | 1016456 | Bolt, Flange Head, M6 x 1 x 12 mm | 2 |
| 4 | 1016497 | Screw, Pan WP Cross | 1 |
| 5 | 1016544 | Screw | 1 |
| 6 | 1016561 | Clamp | 1 |
| 7 | 1016562 | Key | 1 |
| 8 | 1016578 | Ignition, Grommet | 1 |
| 9 | 1016579 | Band, RPM Limiter Mount | 1 |
| 10 | 1016586 | Damper, RPM Limiter | 1 |
| 11 | 1016587 | Clamp | 1 |
| 12 | 1016588 | Tube, 7mm X 10mm X 70mm | 1 |
| 13 | 1017448 | Bolt, Flanged | 3 |
| 14 | 1017455 | Plate, Flywheel Fan | 1 |
| 15 | 1017463 | Cap Asm Plug | 1 |
| 16 | 1017468 | Clamp | 1 |
| 17 | 1017490 | Washer, Flat | 1 |
| 18 | 101909201 | Coil, Ignition | 1 |
| 19 | 101909301 | Lead Wire Assy | 1 |
| 20 | 101909401 | Limiter, RPM | 1 |
| 21 | 101909501 | Clamp, Steel | 1 |
| 22 | 101916201 | Flywheel | 1 |
| 23 | 101916301 | Fan (cw) | 1 |
| 24 | 102838401 | Nut, Hex, 18 mm Fine | 1 |
| 25 | AM1232301 | Spark Plug, BPR2ES | 1 |

7

G



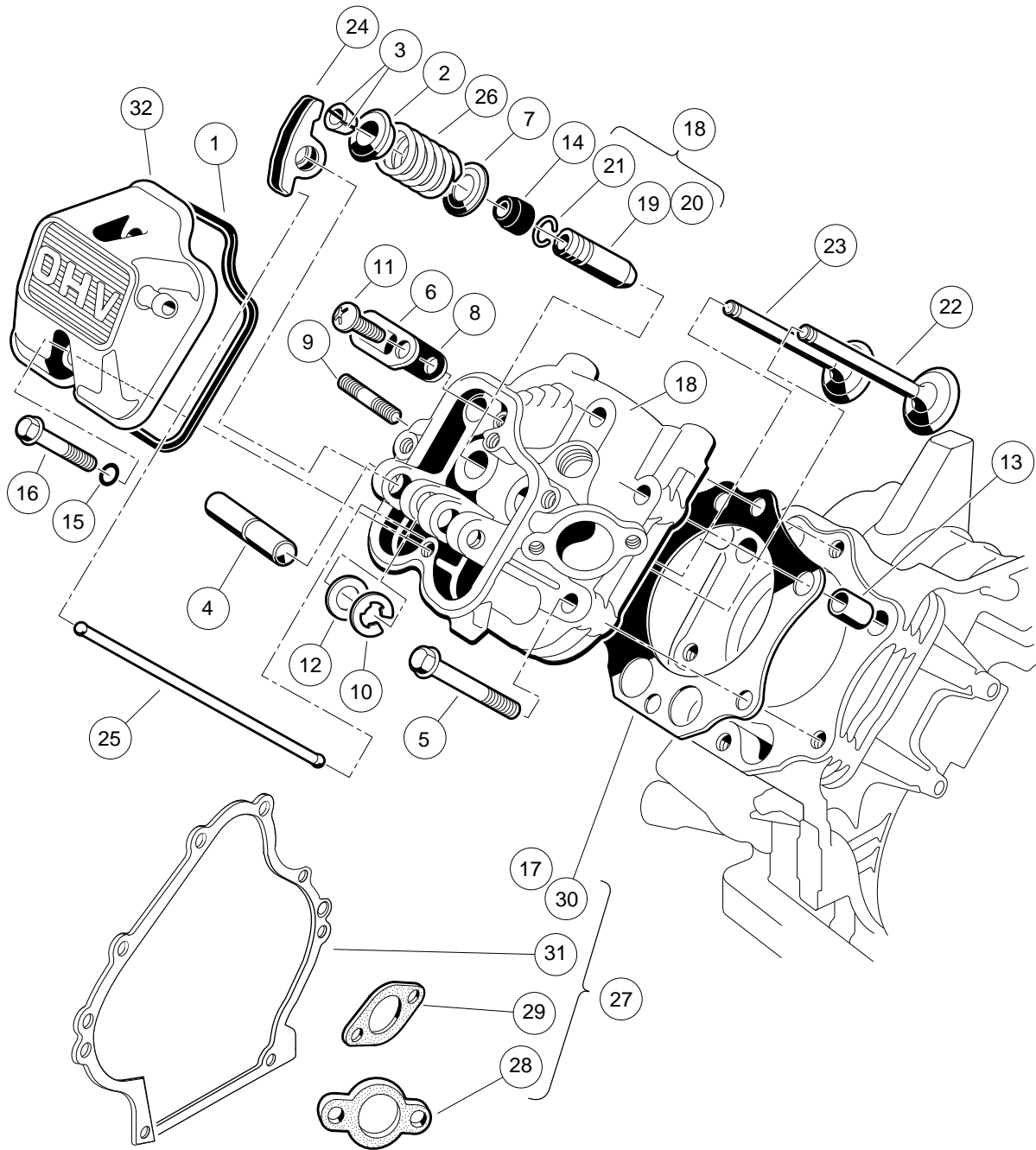
000203-001

FE350 ENGINE (AS11) – OIL CIRCULATION

| ITEM | PART NO. | DESCRIPTION | QTY |
|------|-----------|------------------------------------|-----|
| | | 1 2 3 4 | |
| 1 | 1016429 | Seat, Value Oil Press Relief | 1 |
| 2 | 1016432 | Gasket, Drain Plug | 1 |
| 3 | 1016457 | Bolt, Flange Head | 2 |
| 4 | 1016467 | Filter, Oil | 1 |
| 5 | 1016473 | Plate, Oil Pump | 1 |
| 6 | 101648203 | Oil Pump And Rotor | 1 |
| 7 | 1016502 | Bracket, Oil Filter Mount | 1 |
| 8 | 1016537 | Ball, Steel, Press, Relief | 1 |
| 9 | 1016570 | O-Ring | 1 |
| 10 | 1016576 | Plug, Drain | 1 |
| 11 | 1016581 | Spring | 1 |
| 12 | 1017442 | Gasket | 1 |
| 13 | 1017456 | Bolt, Flanged | 6 |
| 14 | 1017458 | Filter | 1 |
| 15 | 1017460 | Cover, Pump | 1 |
| 16 | 1017507 | Plug | 2 |

7

G



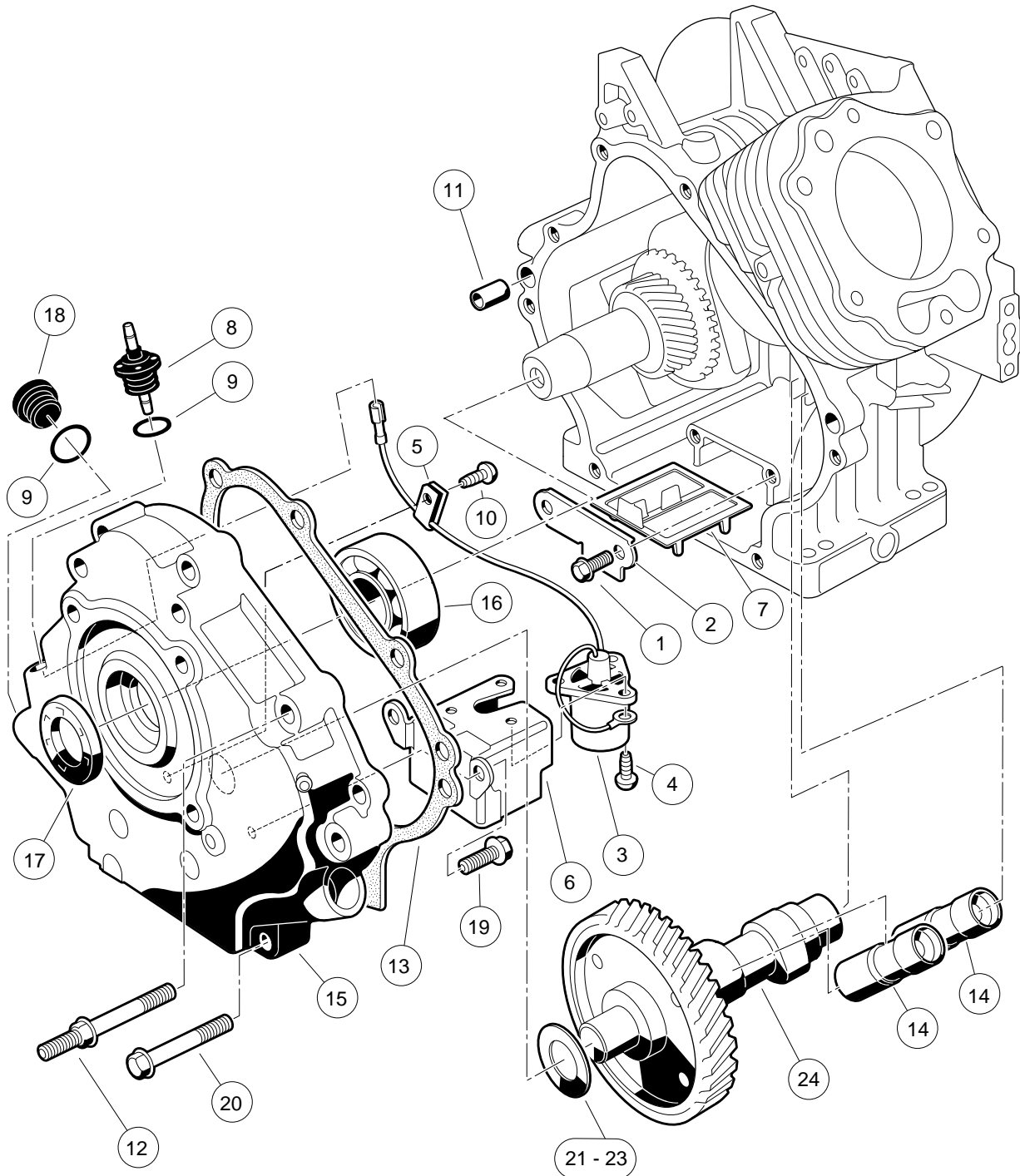
000204-003

FE350 ENGINE (AS11) – CYLINDER HEAD

| ITEM | PART NO. | DESCRIPTION | QTY |
|------|-----------|---|-----|
| | | 1 2 3 4 | |
| 1 | 1016436 | Gasket, Rocker Case | 1 |
| 2 | 1016449 | Retainer, Valve Spring | 2 |
| 3 | 1016450 | Collet | 4 |
| 4 | 1016452 | Shaft, Rocker | 1 |
| 5 | 1016458 | Bolt, Flange Head, M8 x 1.25 x 45 mm | 6 |
| 6 | 1016474 | Plate | 1 |
| 7 | 1016479 | Seat, Spring | 2 |
| 8 | 1016483 | Valve | 1 |
| 9 | 1016489 | Stud, Two-Ended, M8-1.25 | 2 |
| 10 | 1016517 | Circlip, Type-E | 1 |
| 11 | 1016544 | Screw | 1 |
| 12 | 1016549 | Washer, 12.1x19x1.8 | 1 |
| 13 | 1016563 | Pin | 2 |
| 14 | 1016566 | Seal, Oil | 2 |
| 15 | 1016569 | O-Ring | 2 |
| 16 | 1016583 | Bolt, 6x35 | 2 |
| 17 | 1017434 | Gasket, Head | 1 |
| 18 | 1017435 | Assembly, Cylinder Head, FE350 (includes items 19 through 21) | 1 |
| 19 | 1016518 | Guide, Valve, Exhaust | 1 |
| 20 | 1016519 | Guide, Valve | 1 |
| 21 | 1016560 | Snap Ring | 2 |
| 22 | 1017444 | Valve, Intake | 1 |
| 23 | 1017445 | Valve, Exhaust | 1 |
| 24 | 1017446 | Arm, Rocker | 2 |
| 25 | 1017454 | Rod, Push | 2 |
| 26 | 1017473 | Spring, Engine Valve | 2 |
| 27 | 102304801 | Kit, Gasket, FE350 (includes items 28 through 31) | 1 |
| 28 | 1016440 | Gasket, Engine to Insulator | 1 |
| 29 | 1016904 | Gasket, Exhaust | 1 |
| 30 | 1017434 | Gasket, Head | 1 |
| 31 | 1017443 | Gasket, Crankcase Cover | 1 |
| 32 | 102753401 | Case, Rocker | 1 |
| | | Note: Item 28 is not a component of the FE350 engine. | |

7

G

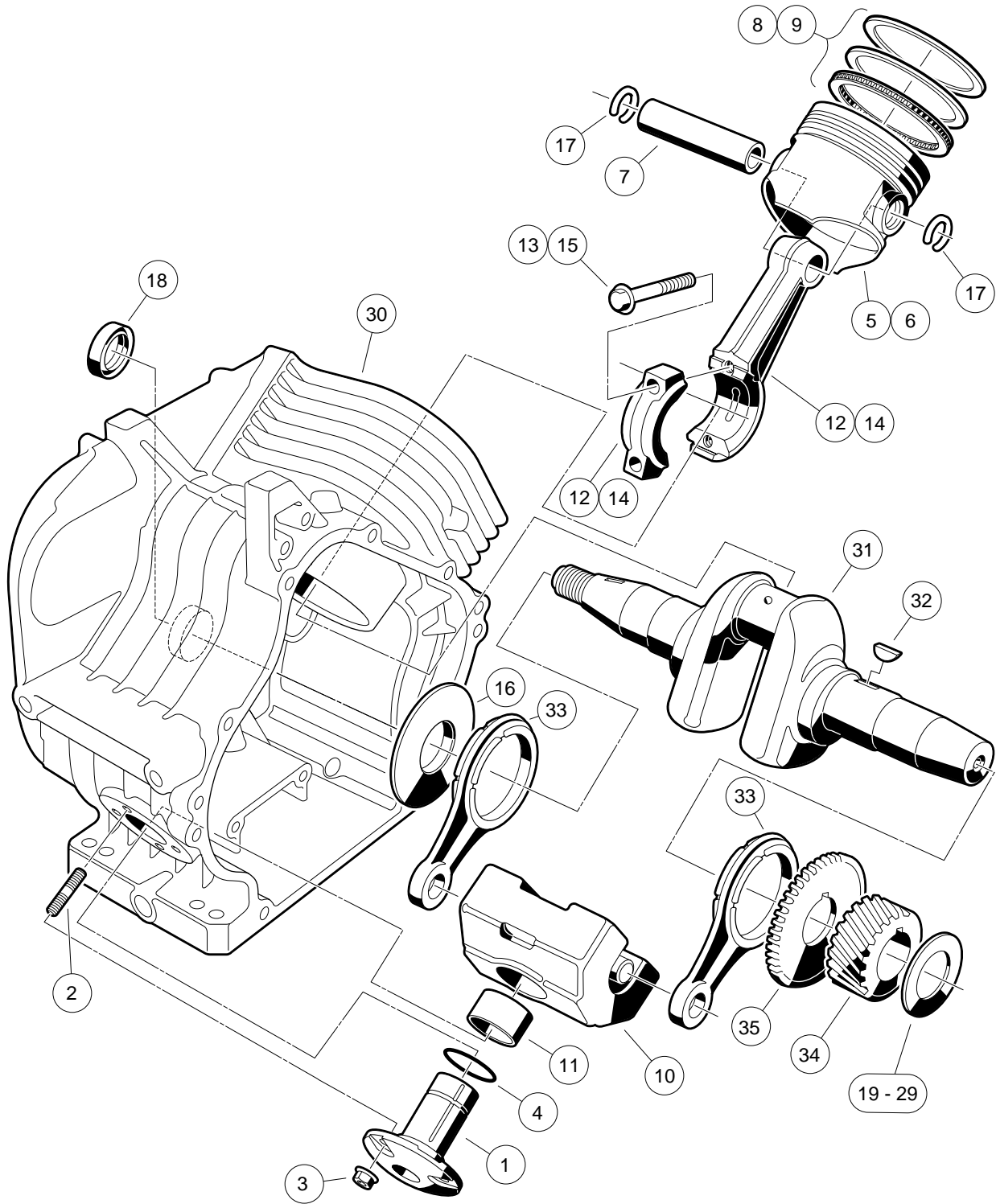


000205-002

FE350 ENGINE (AS11) – CRANKCASE, CAMSHAFT, AND OIL SENSOR

| ITEM | PART NO. | DESCRIPTION | QTY |
|------|-----------|--|-----|
| | | 1 2 3 4 | |
| 1 | 1016454 | Bolt, Flange Head, M5 x 0.8 x 8 mm | 2 |
| 2 | 1016472 | Plate, Oil Filter Screen | 1 |
| 3 | 1016494 | Sensor, Oil Level | 1 |
| 4 | 1016496 | Screw, Cross Pan-Head, M4 x 0.7 x 8 mm | 3 |
| 5 | 1016506 | Clamp | 1 |
| 6 | 1016510 | Bracket, Switch, Oil Level | 1 |
| 7 | 1016521 | Screen, Oil Filter | 1 |
| 8 | 1016535 | Connector, Cord | 1 |
| 9 | 1016538 | O-Ring | 2 |
| 10 | 1016544 | Screw | 1 |
| 11 | 1016564 | Pin | 2 |
| 12 | 1016584 | Bolt, Two-Ended, M8 x 1.25 x 69 mm | 2 |
| 13 | 1017443 | Gasket, Crankcase Cover | 1 |
| 14 | 1017447 | Adjuster, Lash | 2 |
| 15 | 1017472 | Cover Crankcase | 1 |
| 16 | 1017487 | Bearing, Ball | 1 |
| 17 | 1017504 | Seal, Oil | 1 |
| 18 | 1017508 | Plug | 1 |
| 19 | 1017513 | Bolt Switch Bracket | 2 |
| 20 | 1017514 | Screw, M8-1.25 X 45mm Hex | 6 |
| 21 | 101751801 | Shim, 0.3 | 1 |
| 22 | 101751802 | Shim, 0.4 | 1 |
| 23 | 101751803 | Shim, 0.5 | 1 |
| 24 | 102431001 | Camshaft, FE350 without ACR, 44-Tooth | 1 |

7
G



000206-001

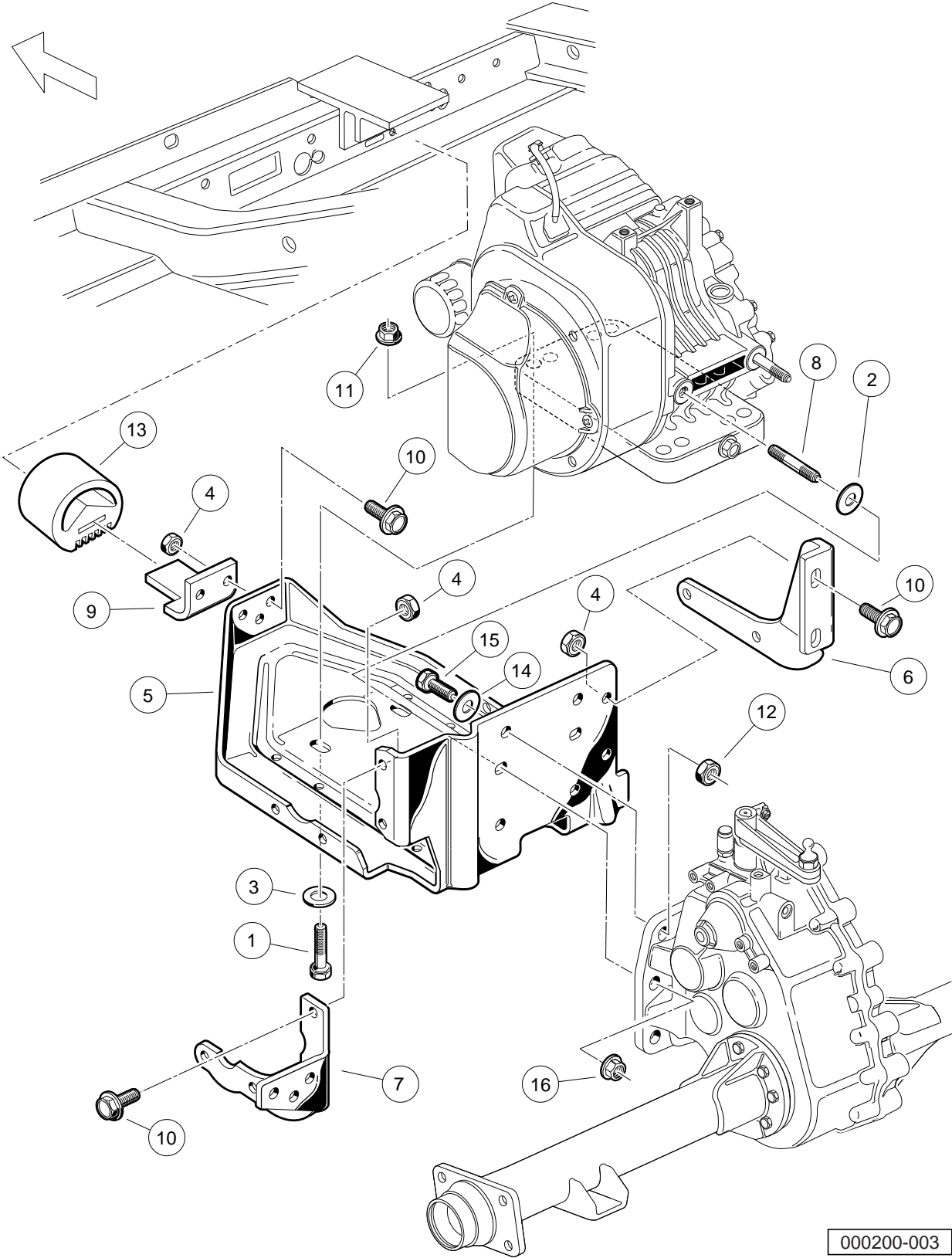
FE350 ENGINE (AS11) – CRANKCASE AND CRANKSHAFT

| ITEM | PART NO. | DESCRIPTION | QTY |
|------|-----------|--|-----|
| | | 1 2 3 4 | |
| 1 | 1016470 | Shaft, Guide, Counterbalance | 1 |
| 2 | 1016541 | Stud, 6x14 | 4 |
| 3 | 1016547 | Nut, M6 Flange | 4 |
| 4 | 1016571 | O-Ring | 1 |
| 5 | 101744901 | Piston, Standard | 1 |
| 6 | 101744902 | Piston, 0.50 mm Oversize | 1 |
| 7 | 1017450 | Pin, Piston | 1 |
| 8 | 101745101 | Ring Set, Standard Piston | 1 |
| 9 | 101745102 | Ring Set, Piston, 0.50 mm Oversize | 1 |
| 10 | 1017453 | Counterbalance Weight (includes item 11) | 1 |
| 11 | 1017510 | Bearing, Plain | 1 |
| 12 | 101745701 | Asm, Con. Rod Std (includes item 13) | 1 |
| 13 | 1017512 | Bolt | 2 |
| 14 | 101745702 | Asm, Con. Rod 0.5mm U/s (includes item 15) | 1 |
| 15 | 1017512 | Bolt | 2 |
| 16 | 1017501 | Spacer | 1 |
| 17 | 1017502 | Snap Ring | 2 |
| 18 | 1017503 | Seal, Oil | 1 |
| 19 | 101773301 | Shim, Crankshaft, 1.18mm | 1 |
| 20 | 101773302 | Shim, Crankshaft, 1.25mm | 1 |
| 21 | 101773303 | Shim, Crankshaft, 1.32mm | 1 |
| 22 | 101773304 | Shim, Crankshaft, 1.39mm | 1 |
| 23 | 101773305 | Shim, Crankshaft, 1.46mm | 1 |
| 24 | 101773306 | Shim, Crankshaft, 1.53mm | 1 |
| 25 | 101773307 | Shim, Crankshaft, 1.60mm | 1 |
| 26 | 101773308 | Shim, Crankshaft, 1.67mm | 1 |
| 27 | 101773309 | Shim, Crankshaft, 1.74mm | 1 |
| 28 | 101773310 | Shim, Crankshaft, 1.11 mm | 1 |
| 29 | 101773311 | Shim, Crankshaft, 1.81mm | 1 |
| 30 | 101916001 | Crankcase Complete, FE350 (cw) | 1 |
| 31 | 102430901 | Crankshaft, FE350 Left-Hand, 22-Tooth (includes items 32 through 35) | 1 |
| 32 | 1016562 | Key | 1 |
| 33 | 1017471 | Rod | 2 |
| 34 | N/A | Gear, Helical | 1 |
| 35 | N/A | Gear, Spur | 1 |

7

G

7
G



000200-003

FE350 ENGINE (AS11) – MOUNTING

| ITEM | PART NO. | DESCRIPTION | QTY |
|------|-----------|---------------------------------------|-----|
| | | 1 2 3 4 | |
| 1 | 1010577 | Bolt, Hex-Head, 5/16-18 X 1.50 | 4 |
| 2 | 1011697 | Washer, 5/16 Flat | 2 |
| 3 | 1012571 | Washer, 5/16 Extra Thick Flat | 4 |
| 4 | 1013924 | Nut, 5/16-24 Hex Head Cone | 10 |
| 5 | 101827101 | Plate, Engine Mounting | 1 |
| 6 | 101832601 | Stiffener (PTO Side) | 1 |
| 7 | 101832701 | Stiffener (Flywheel Side) | 1 |
| 8 | 101833101 | Stud, M8-1.25 X 50 mm Two-Ended | 2 |
| 9 | 101834601 | Snubber Bracket | 1 |
| 10 | 101884801 | Screw, 5/16-24 X 0.875 Grade-8 | 10 |
| 11 | 101963401 | Locknut, 5/16-18 Hex Flange | 4 |
| 12 | 102065901 | Locknut, 3/8-16 Flanged Dimple | 4 |
| 13 | 102540301 | Inner Frame Snubber | 1 |
| 14 | 334 | Washer, 3/8 Type A Flat | 4 |
| 15 | 705 | Screw, Cap-hex Hd 3/8-16x1.25 | 4 |
| 16 | 96704416 | Nut Flg, M8 X 1.25 Serrated | 2 |

7

G

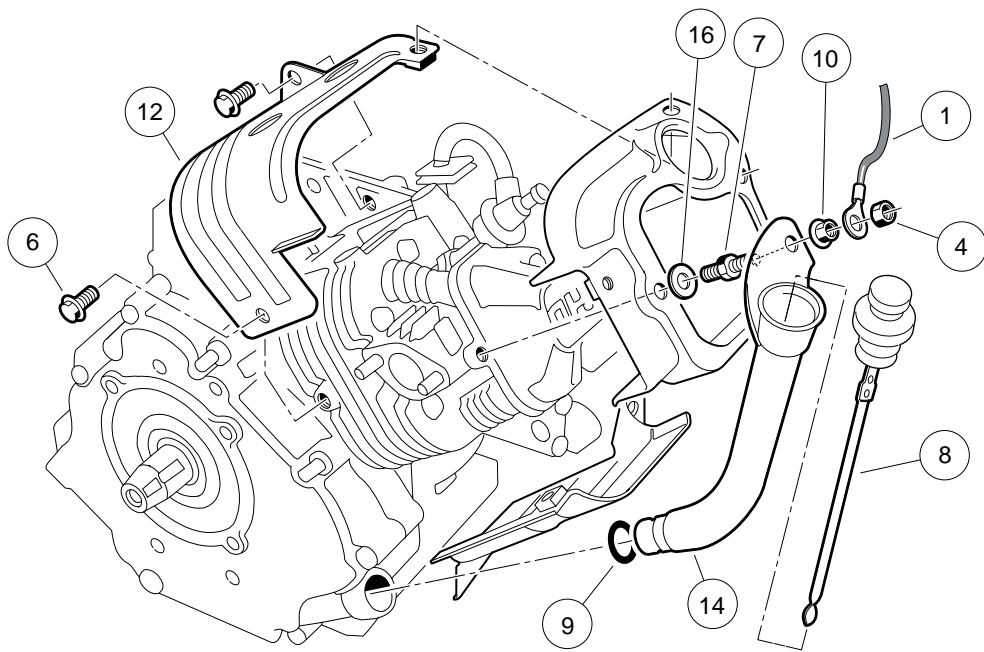
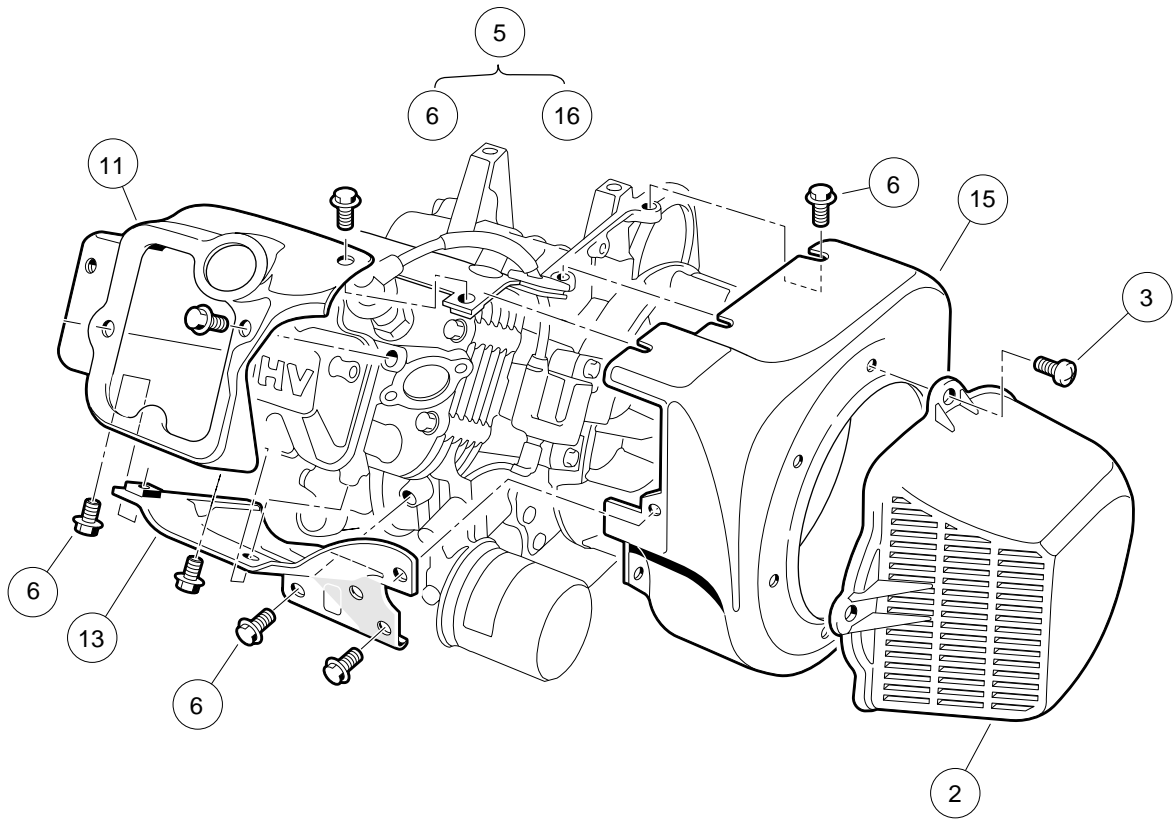
7

G

FE350 ENGINE (AS26)

8

G



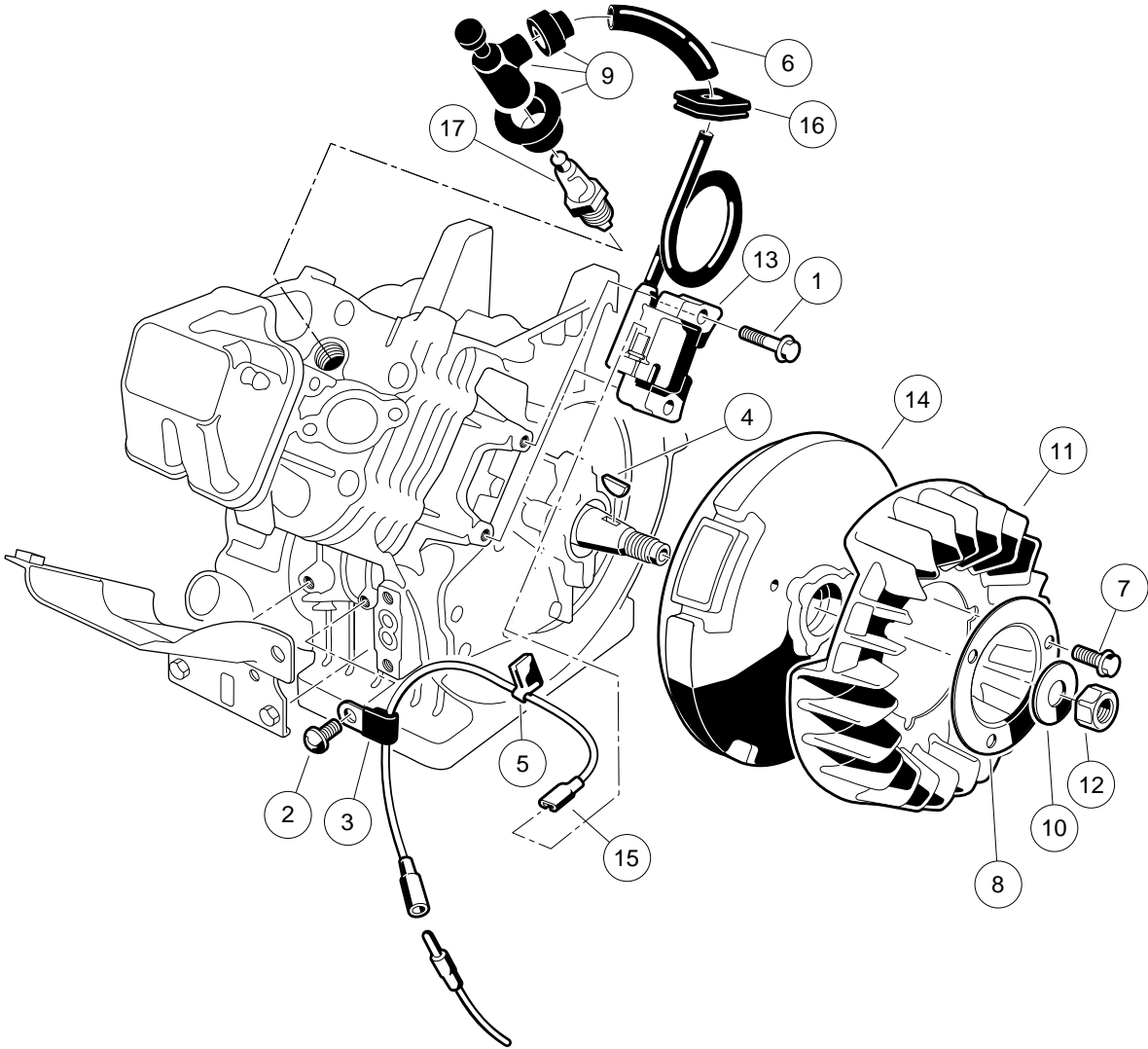
000201-002

FE350 ENGINE (AS26) – SHROUDS AND BRACKETS

| ITEM | PART NO. | DESCRIPTION | QTY |
|---|-----------|---|-----|
| | | 1 2 3 4 | |
| 1 | 1015332 | Wire Assembly, #10, Uninsulated | 1 |
| 2 | 1015649 | Shroud, Fan | 1 |
| 3 | 1015969 | Screw, M6-1.00 X 10mm Pan Hd | 4 |
| 4 | 101887601 | Locknut, M6-1.00 Nylon Insert | 1 |
| 5 | 103386201 | Engine, FE350 S26 (includes items 6 through 16) | 1 |
| 6 | 1016456 | Bolt, Flange Head, M6 x 1 x 12 mm | 16 |
| 7 | 1016507 | Bolt, Two-Ended | 1 |
| 8 | 1016531 | Dipstick | 1 |
| 9 | 1016539 | O-Ring | 1 |
| 10 | 1016547 | Nut, M6 Flange | 1 |
| 11 | 1017474 | Shroud, Engine | 1 |
| 12 | 1017475 | Shroud, Engine | 1 |
| 13 | 1017476 | Shroud, Engine | 1 |
| 14 | 1017486 | Tube, Oil Filler | 1 |
| 15 | 101916101 | Housing, FE350 Fan | 1 |
| 16 | N/A | Washer, 6mm Flat | 2 |
| <p>Note: The AS26 engine meets the 2009 Federal CARB requirement for all 50 states. AS26 engine is retrofitable and began production in Precedent vehicles with serial numbers 0942-063638 and greater.</p> | | | |

8

G

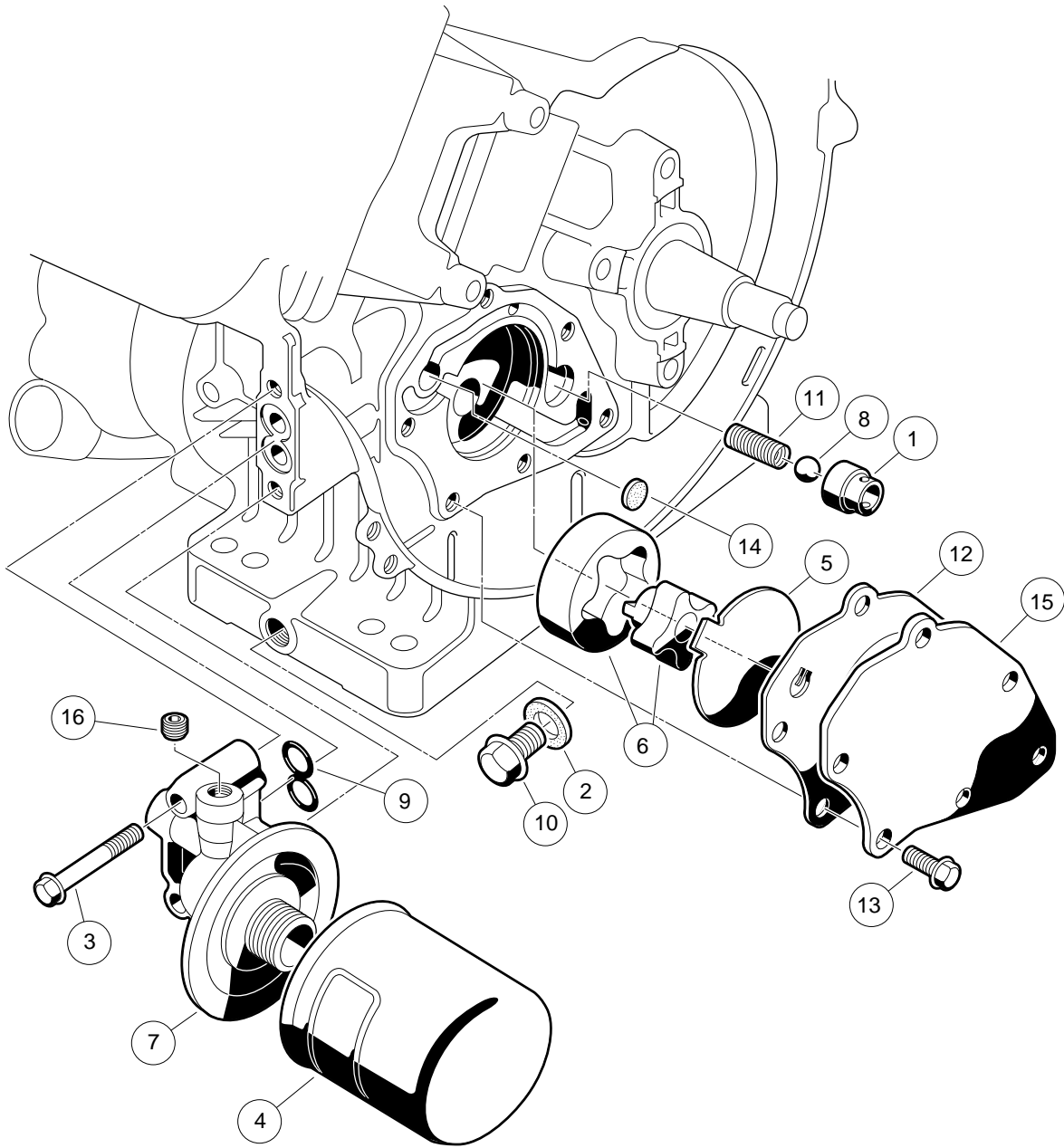


000202-002

FE350 ENGINE (AS26)- IGNITION COMPONENTS AND FLYWHEEL

| ITEM | PART NO. | DESCRIPTION | QTY |
|------|-----------|-------------------------------|-----|
| | | 1 2 3 4 | |
| 1 | 1016455 | Bolt, Flange Head | 2 |
| 2 | 1016544 | Screw | 1 |
| 3 | 1016561 | Clamp | 1 |
| 4 | 1016562 | Key | 1 |
| 5 | 1016587 | Clamp | 1 |
| 6 | 1016588 | Tube, 7mm X 10mm X 70mm | 1 |
| 7 | 1017448 | Bolt, Flanged | 3 |
| 8 | 1017455 | Plate, Flywheel Fan | 1 |
| 9 | 1017463 | Cap Asm Plug | 1 |
| 10 | 1017490 | Washer, Flat | 1 |
| 11 | 101916301 | Fan (cw) | 1 |
| 12 | 102838401 | Nut, Hex, 18 mm Fine | 1 |
| 13 | 103616501 | Ignition, Coil Asm | 1 |
| 14 | 103616601 | Flywheel, Complete | 1 |
| 15 | 103616701 | Ignition, Wire Lead | 1 |
| 16 | 103616801 | Grommet | 1 |
| 17 | AM1232301 | Spark Plug, BPR2ES | 1 |

8
G



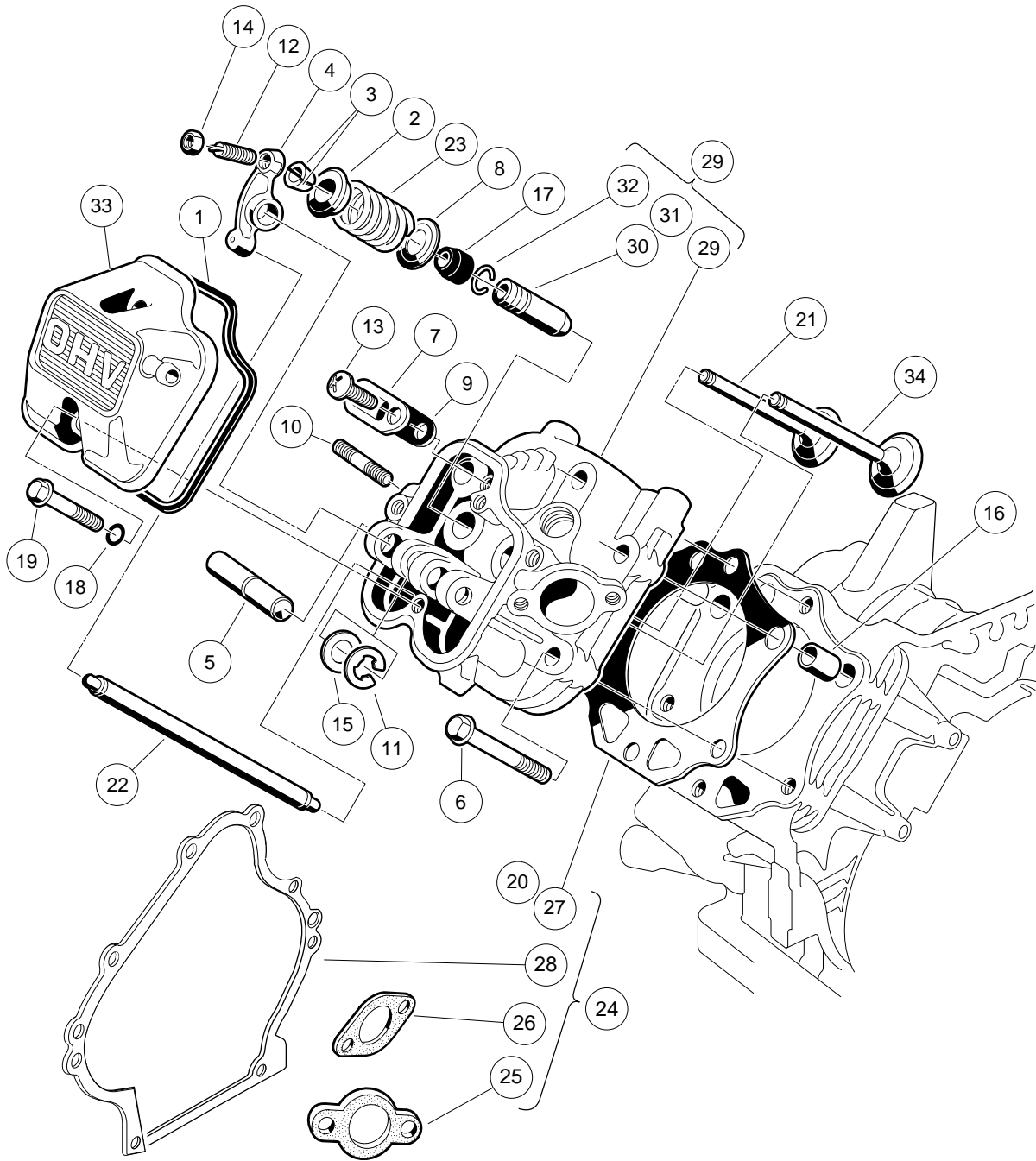
000203-001

FE350 ENGINE (AS26)- OIL CIRCULATION

| ITEM | PART NO. | DESCRIPTION | QTY |
|------|-----------|------------------------------------|-----|
| | | 1 2 3 4 | |
| 1 | 1016429 | Seat, Value Oil Press Relief | 1 |
| 2 | 1016432 | Gasket, Drain Plug | 1 |
| 3 | 1016457 | Bolt, Flange Head | 2 |
| 4 | 1016467 | Filter, Oil | 1 |
| 5 | 1016473 | Plate, Oil Pump | 1 |
| 6 | 101648203 | Oil Pump And Rotor | 1 |
| 7 | 1016502 | Bracket, Oil Filter Mount | 1 |
| 8 | 1016537 | Ball, Steel, Press, Relief | 1 |
| 9 | 1016570 | O-Ring | 1 |
| 10 | 1016576 | Plug, Drain | 1 |
| 11 | 1016581 | Spring | 1 |
| 12 | 1017442 | Gasket | 1 |
| 13 | 1017456 | Bolt, Flanged | 6 |
| 14 | 1017458 | Filter | 1 |
| 15 | 1017460 | Cover, Pump | 1 |
| 16 | 1017507 | Plug | 2 |

8

G



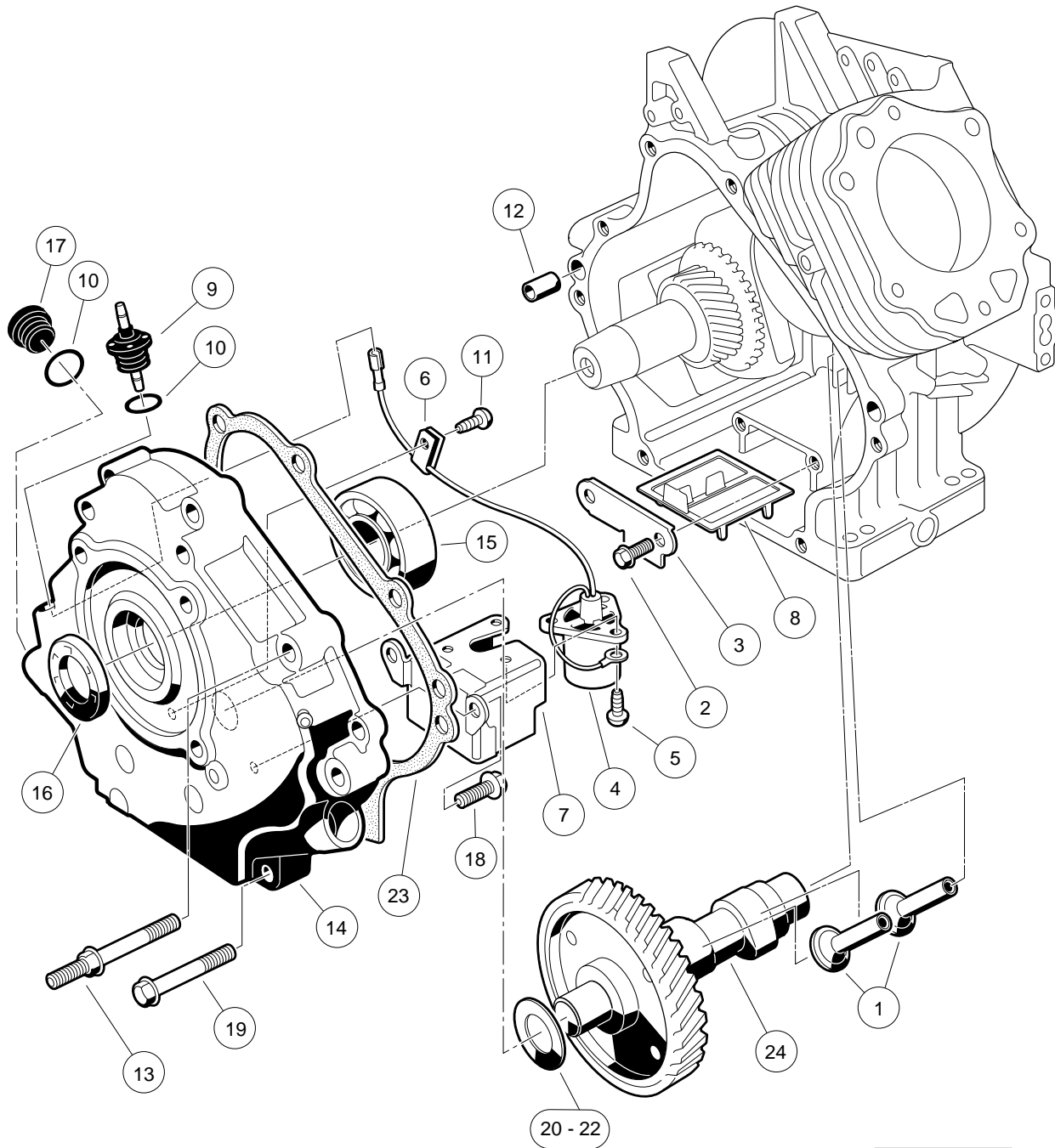
000204-004

FE350 ENGINE (AS26)- CYLINDER HEAD

| ITEM | PART NO. | DESCRIPTION | QTY |
|------|-----------|---|-----|
| | | 1 2 3 4 | |
| 1 | 1016436 | Gasket, Rocker Case | 1 |
| 2 | 1016449 | Retainer, Valve Spring | 2 |
| 3 | 1016450 | Collet | 4 |
| 4 | 1016451 | Arm, Rocker | 2 |
| 5 | 1016452 | Shaft, Rocker | 1 |
| 6 | 1016458 | Bolt, Flange Head, M8 x 1.25 x 45 mm | 6 |
| 7 | 1016474 | Plate | 1 |
| 8 | 1016479 | Seat, Spring | 2 |
| 9 | 1016483 | Valve | 1 |
| 10 | 1016489 | Stud, Two-Ended, M8-1.25 | 2 |
| 11 | 1016517 | Circlip, Type-E | 1 |
| 12 | 1016542 | Screw | 2 |
| 13 | 1016544 | Screw | 1 |
| 14 | 1016545 | Nut | 2 |
| 15 | 1016549 | Washer, 12.1x19x1.8 | 1 |
| 16 | 1016563 | Pin | 2 |
| 17 | 1016566 | Seal, Oil | 2 |
| 18 | 1016569 | O-Ring | 2 |
| 19 | 1016583 | Bolt, 6x35 | 2 |
| 20 | 1017434 | Gasket, Head | 1 |
| 21 | 1017445 | Valve, Exhaust | 1 |
| 22 | 1017454 | Rod, Push | 2 |
| 23 | 1017473 | Spring, Engine Valve | 2 |
| 24 | 102304801 | Kit, Gasket, FE350 (includes items 25 through 28) | 1 |
| 25 | 1016440 | Gasket, Engine to Insulator | 1 |
| 26 | 1016904 | Gasket, Exhaust | 1 |
| 27 | 1017434 | Gasket, Head | 1 |
| 28 | 1017443 | Gasket, Crankcase Cover | 1 |
| 29 | 103615601 | Cylinder Head (includes items 30 through 32) | 1 |
| 30 | 1016518 | Guide, Valve, Exhaust | 1 |
| 31 | 1016519 | Guide, Valve | 1 |
| 32 | 1016560 | Snap Ring | 2 |
| 33 | 103615701 | Case, Rocker | 1 |
| 34 | 103616301 | Valve, Intake, Hard Tip | 1 |
| | | Note: Item 25 is not a component of the FE350 engine. | |

8

G

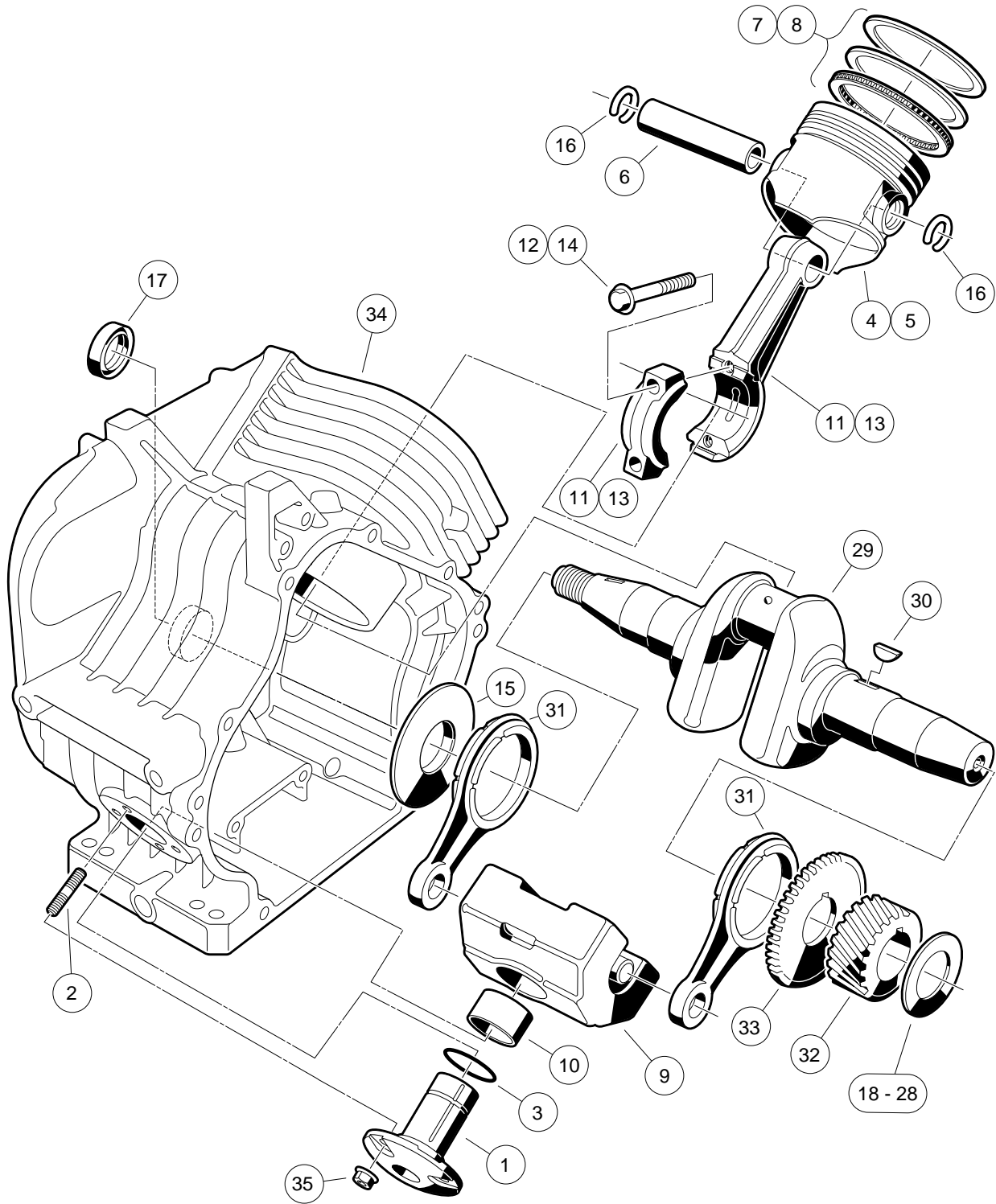


000205-003

FE350 ENGINE (AS26)- CRANKCASE AND CRANKSHAFT OIL SENSOR

| ITEM | PART NO. | DESCRIPTION | QTY |
|------|-----------|--|-----|
| | | 1 2 3 4 | |
| 1 | 1016453 | Tappet | 2 |
| 2 | 1016454 | Bolt, Flange Head, M5 x 0.8 x 8 mm | 2 |
| 3 | 1016472 | Plate, Oil Filter Screen | 1 |
| 4 | 1016494 | Sensor, Oil Level | 1 |
| 5 | 1016496 | Screw, Cross Pan-Head, M4 x 0.7 x 8 mm | 3 |
| 6 | 1016506 | Clamp | 1 |
| 7 | 1016510 | Bracket, Switch, Oil Level | 1 |
| 8 | 1016521 | Screen, Oil Filter | 1 |
| 9 | 1016535 | Connector, Cord | 1 |
| 10 | 1016538 | O-Ring | 2 |
| 11 | 1016544 | Screw | 1 |
| 12 | 1016564 | Pin | 2 |
| 13 | 1016584 | Bolt, Two-Ended, M8 x 1.25 x 69 mm | 2 |
| 14 | 1017472 | Cover Crankcase | 1 |
| 15 | 1017487 | Bearing, Ball | 1 |
| 16 | 1017504 | Seal, Oil | 1 |
| 17 | 1017508 | Plug | 1 |
| 18 | 1017513 | Bolt Switch Bracket | 2 |
| 19 | 1017514 | Screw, M8-1.25 X 45mm Hex | 6 |
| 20 | 101751801 | Shim, 0.3 | 1 |
| 21 | 101751802 | Shim, 0.4 | 1 |
| 22 | 101751803 | Shim, 0.5 | 1 |
| 23 | 102430901 | Crankshaft, FE350 Left-Hand, 22-Tooth (includes items 24 through 27) | 1 |
| 24 | 1016562 | Key | 1 |
| 25 | 1017471 | Rod | 2 |
| 26 | N/A | Gear, Helical | 1 |
| 27 | N/A | Gear, Spur | 1 |
| 28 | 103615901 | Gasket, Crankcase Cover | 1 |
| 29 | 103616401 | Camshaft, Complete | 1 |

8
G



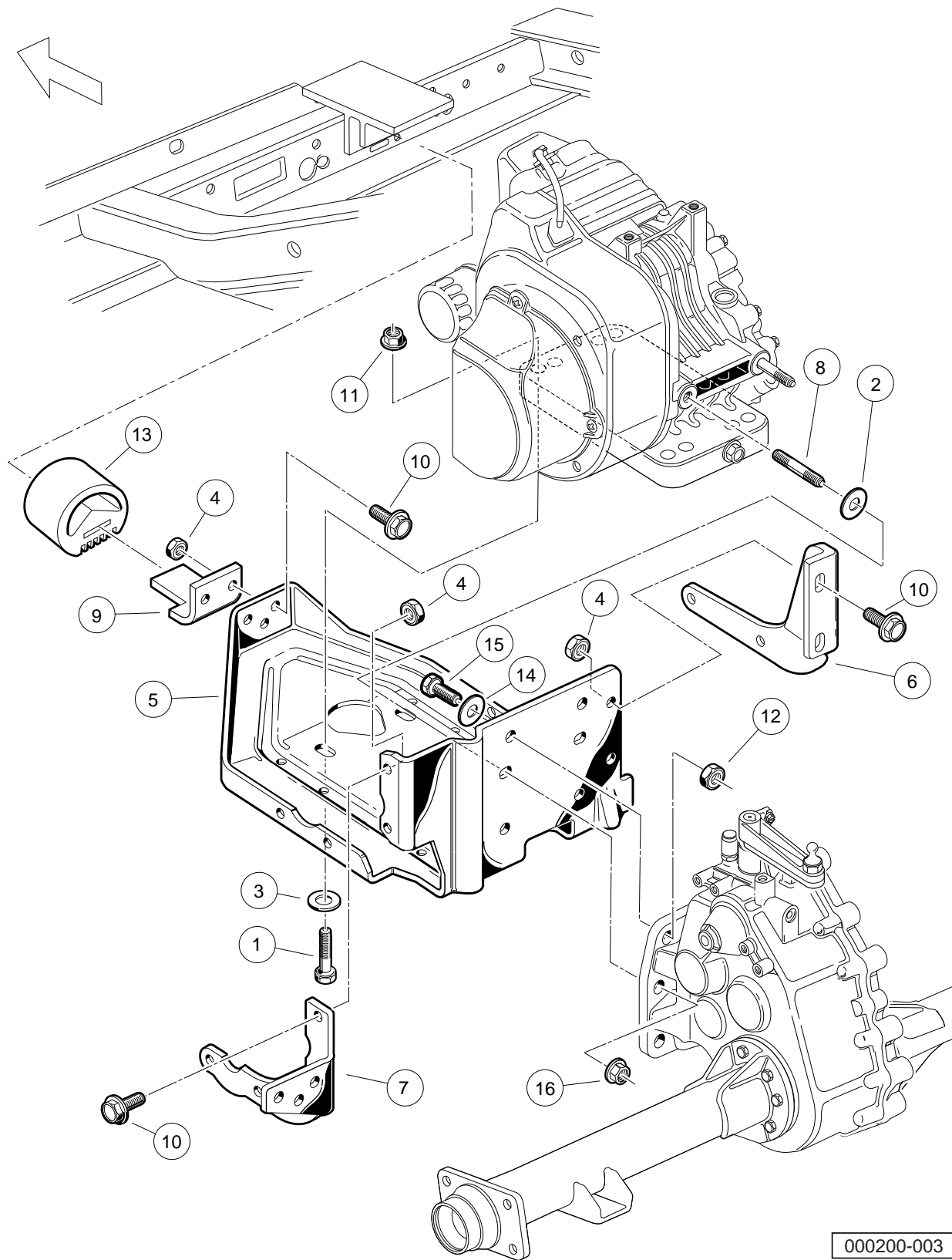
000206-002

FE350 ENGINE (AS26)- CRANKCASE AND CRANKSHAFT

| ITEM | PART NO. | DESCRIPTION | QTY |
|------|-----------|--|-----|
| | | 1 2 3 4 | |
| 1 | 1016470 | Shaft, Guide, Counterbalance | 1 |
| 2 | 1016541 | Stud, 6x14 | 4 |
| 3 | 1016571 | O-Ring | 1 |
| 4 | 101744901 | Piston, Standard | 1 |
| 5 | 101744902 | Piston, 0.50 mm Oversize | 1 |
| 6 | 1017450 | Pin, Piston | 1 |
| 7 | 101745101 | Ring Set, Standard Piston | 1 |
| 8 | 101745102 | Ring Set, Piston, 0.50 mm Oversize | 1 |
| 9 | 1017453 | Counterbalance Weight (includes item 10) | 1 |
| 10 | 1017510 | Bearing, Plain | 1 |
| 11 | 101745701 | Asm, Con. Rod Std (includes item 12) | 1 |
| 12 | 1017512 | Bolt | 2 |
| 13 | 101745702 | Asm, Con. Rod 0.5mm U/s (includes item 14) | 1 |
| 14 | 1017512 | Bolt | 2 |
| 15 | 1017501 | Spacer | 1 |
| 16 | 1017502 | Snap Ring | 2 |
| 17 | 1017503 | Seal, Oil | 1 |
| 18 | 101773301 | Shim, Crankshaft, 1.18mm | 1 |
| 19 | 101773302 | Shim, Crankshaft, 1.25mm | 1 |
| 20 | 101773303 | Shim, Crankshaft, 1.32mm | 1 |
| 21 | 101773304 | Shim, Crankshaft, 1.39mm | 1 |
| 22 | 101773305 | Shim, Crankshaft, 1.46mm | 1 |
| 23 | 101773306 | Shim, Crankshaft, 1.53mm | 1 |
| 24 | 101773307 | Shim, Crankshaft, 1.60mm | 1 |
| 25 | 101773308 | Shim, Crankshaft, 1.67mm | 1 |
| 26 | 101773309 | Shim, Crankshaft, 1.74mm | 1 |
| 27 | 101773310 | Shim, Crankshaft, 1.11mm | 1 |
| 28 | 101773311 | Shim, Crankshaft, 1.81mm | 1 |
| 29 | 102430901 | Crankshaft, FE350 Left-Hand, 22-Tooth (includes items 30 through 33) | 1 |
| 30 | 1016562 | Key | 1 |
| 31 | 1017471 | Rod | 2 |
| 32 | N/A | Gear, Helical | 1 |
| 33 | N/A | Gear, Spur | 1 |
| 34 | 103615801 | Crankcase, FE350 | 1 |
| 35 | 103616201 | Nut | 4 |

8
G

8
G



000200-003

FE350 ENGINE (AS26)- MOUNTING

| ITEM | PART NO. | DESCRIPTION | QTY |
|------|-----------|---------------------------------------|-----|
| | | 1 2 3 4 | |
| 1 | 1010577 | Bolt, Hex-Head, 5/16-18 X 1.50 | 4 |
| 2 | 1011697 | Washer, 5/16 Flat | 2 |
| 3 | 1012571 | Washer, 5/16 Extra Thick Flat | 4 |
| 4 | 1013924 | Nut, 5/16-24 Hex Head Cone | 10 |
| 5 | 101827101 | Plate, Engine Mounting | 1 |
| 6 | 101832601 | Stiffener (PTO Side) | 1 |
| 7 | 101832701 | Stiffener (Flywheel Side) | 1 |
| 8 | 101833101 | Stud, M8-1.25 X 50 mm Two-Ended | 2 |
| 9 | 101834601 | Snubber Bracket | 1 |
| 10 | 101884801 | Screw, 5/16-24 X 0.875 Grade-8 | 10 |
| 11 | 101963401 | Locknut, 5/16-18 Hex Flange | 4 |
| 12 | 102065901 | Locknut, 3/8-16 Flanged Dimple | 4 |
| 13 | 102540301 | Inner Frame Snubber | 1 |
| 14 | 334 | Washer, 3/8 Type A Flat | 4 |
| 15 | 705 | Screw, Cap-hex Hd 3/8-16x1.25 | 4 |
| 16 | 96704416 | Nut Flg, M8 X 1.25 Serrated | 2 |

8

G

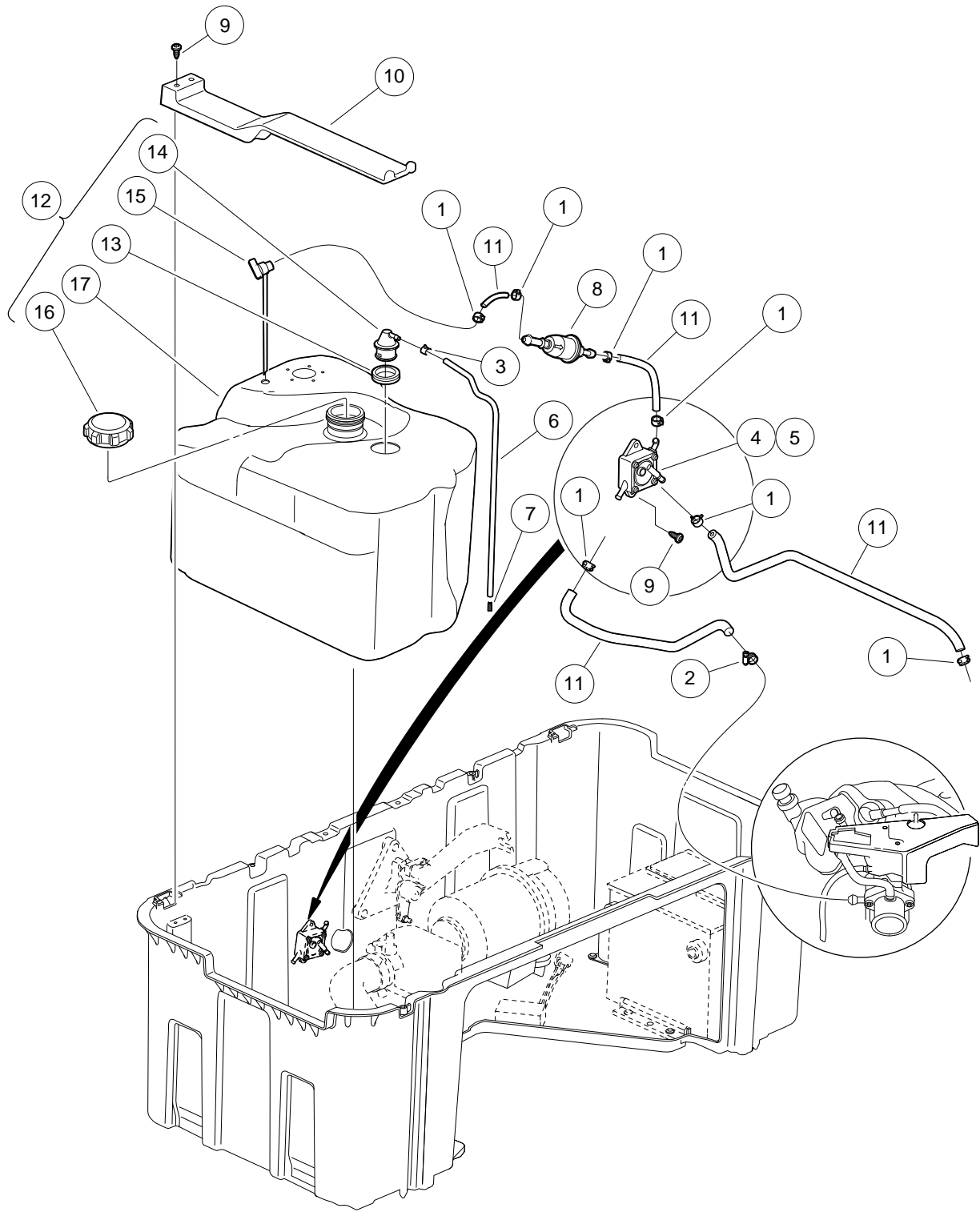
8

G

FUEL, INTAKE, AND GOVERNOR SYSTEMS

9

G

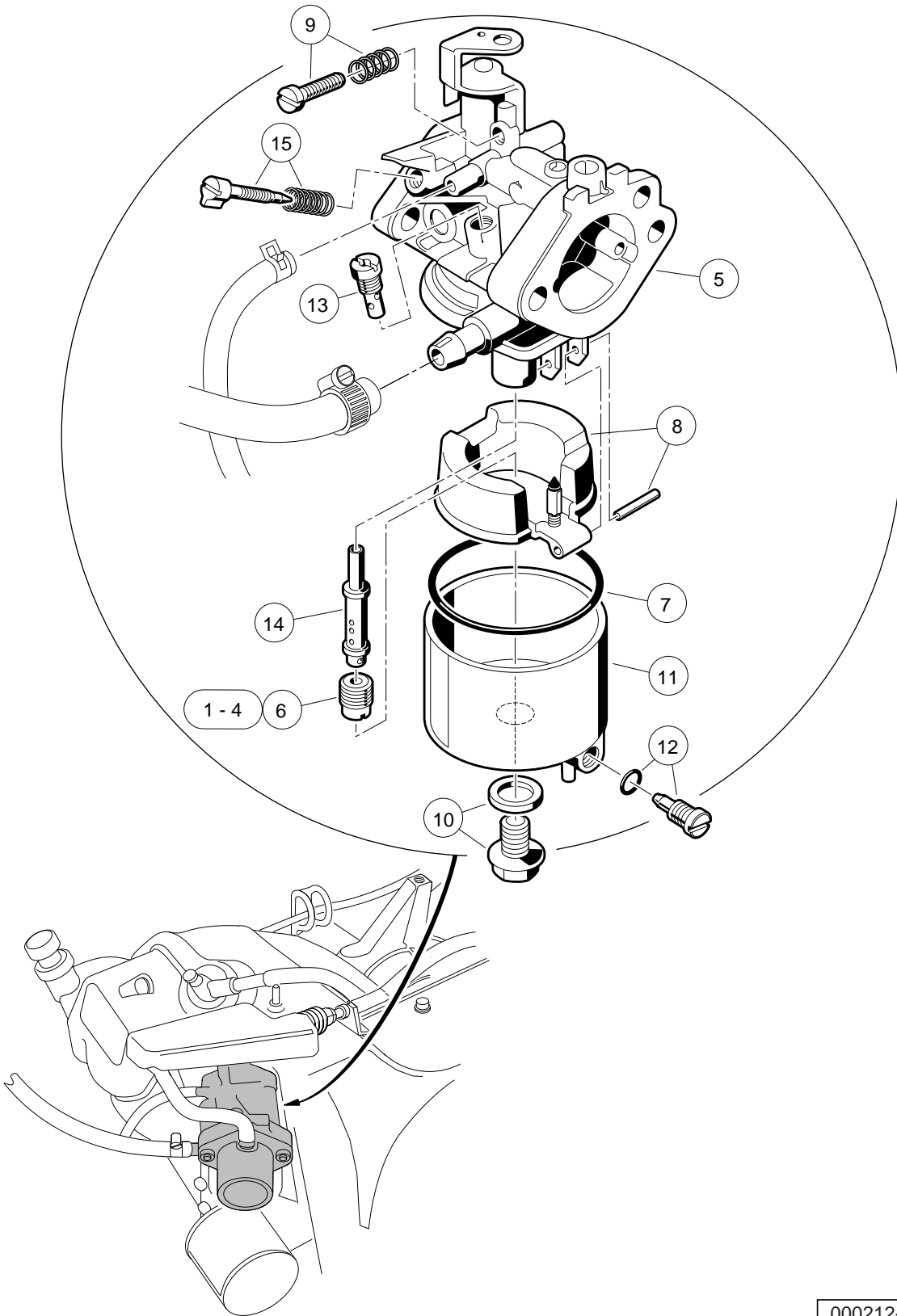


000449-004

FUEL SYSTEM

9
G

| ITEM | PART NO. | DESCRIPTION | QTY |
|------|-----------|--|-----|
| | | 1 2 3 4 | |
| 1 | 1012649 | Clamp, 0.460 Red Hose | 7 |
| 2 | 1013687 | Clamp, 3/8" Hose (screw type) | 1 |
| 3 | 1013746 | Clamp, 0.301 ID Hose | 1 |
| 4 | 1014523 | Pump, Impulse Fuel | 1 |
| 5 | 1014524 | Kit, Impulse Pump Rebuild | 1 |
| 6 | 1015137 | Fuel Line (available by the foot) | 1 |
| 7 | 101824401 | Vent Barb | 1 |
| 8 | 102003201 | Filter, Fuel, 30 Micron | 1 |
| 9 | 102296020 | Screw, Torx Pan Hd Pt, M6 X 20 | 4 |
| 10 | 102514201 | Hold-down - Fuel Tank | 1 |
| 11 | 102865101 | Fuel Line (available by the foot) | 1 |
| 12 | 102952202 | Asm, Tank, Fuel (includes items 13 through 17) | 1 |
| 13 | 1015139 | Insulation Grommet | 1 |
| 14 | 1015143 | Vent, Fuel Tank | 1 |
| 15 | 102513701 | Valve - Fuel Pickup Tube | 1 |
| 16 | N/A | Cap, Fuel Tank, Gasoline | 1 |
| 17 | N/A | Tank, Fuel, Prec | 1 |



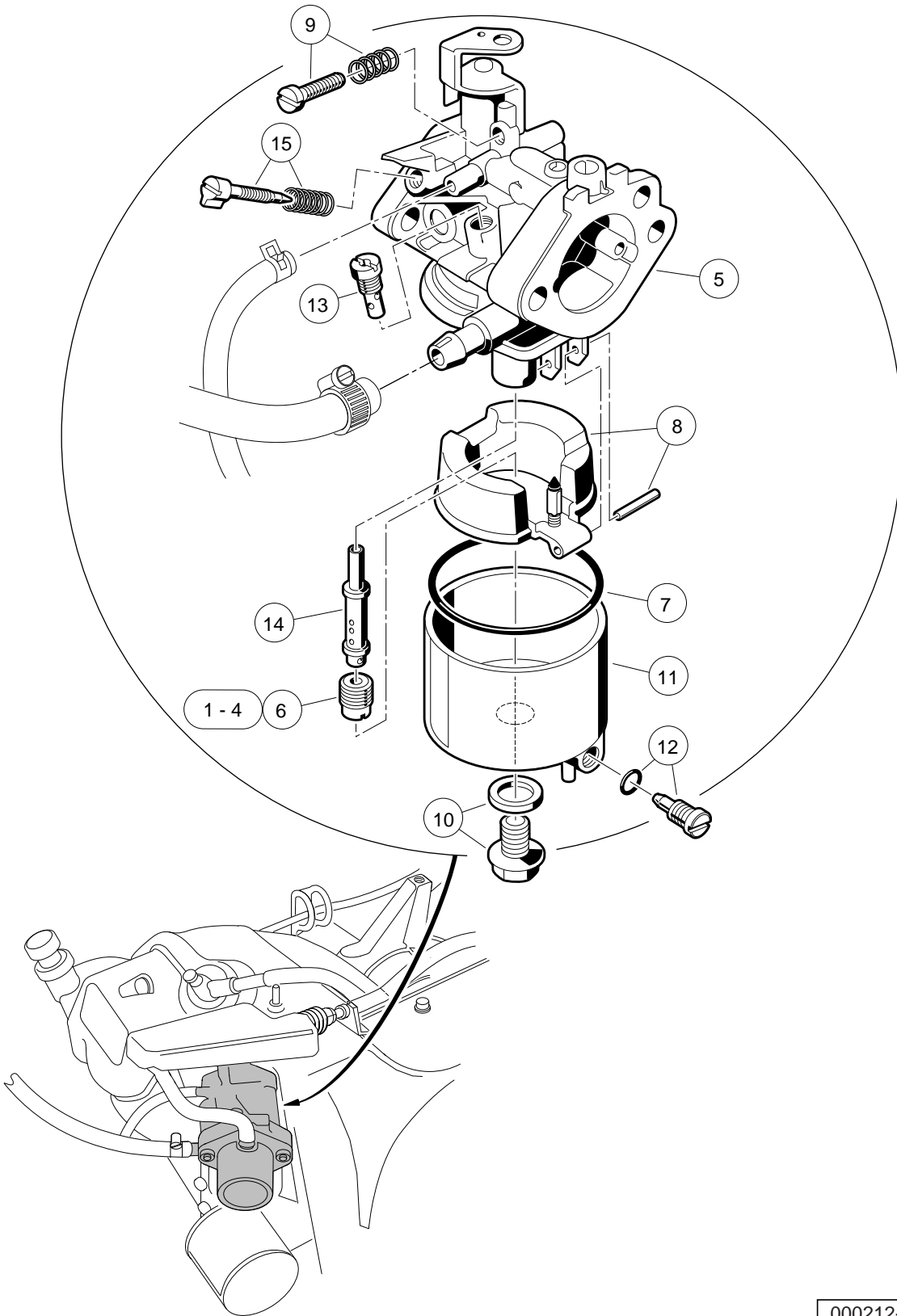
000212-001

CARBURETOR ASSEMBLY – FE350 (AS11)

| ITEM | PART NO. | DESCRIPTION | QTY |
|--|-----------|--|-----|
| | | 1 2 3 4 | |
| 1 | 101642575 | Jet, Altitude, # 75 | 1 |
| 2 | 101642578 | Jet, Altitude, # 78 | 1 |
| 3 | 101642580 | Jet, Altitude, # 80 | 1 |
| 4 | 101642582 | Jet, Altitude, # 82 | 1 |
| 5 | 101905901 | Carburetor, FE350D (includes items 6 through 15) (includes items 6 through 15) | 1 |
| 6 | 101642585 | Jet, Altitude, # 85 | 1 |
| 7 | 1016437 | Gasket, Carburetor Bowl OHV | 1 |
| 8 | 1016486 | Float Assembly | 1 |
| 9 | 1016501 | Screw Assembly | 1 |
| 10 | 1016585 | Bolt | 1 |
| 11 | 1017461 | Chamber Assembly, Float (includes item 12) (includes item 12) | 1 |
| 12 | 1016499 | Screw Assembly | 1 |
| 13 | 101973101 | Jet, #40 Pilot | 1 |
| 14 | 101973301 | Nozzle, Main | 1 |
| 15 | N/A | Assembly, Pilot Air Screw | 1 |
| <p style="margin-left: 40px;">Note: Jets- 101642585 for 0 - 3,000 feet; 101642582 for 3,000 - 5,000 feet; 101642580 for 5,000 - 8,000 feet; 101642578 for 8,000 - 10,000 feet; 101642575 for 10,000 feet and higher.</p> | | | |

9

G



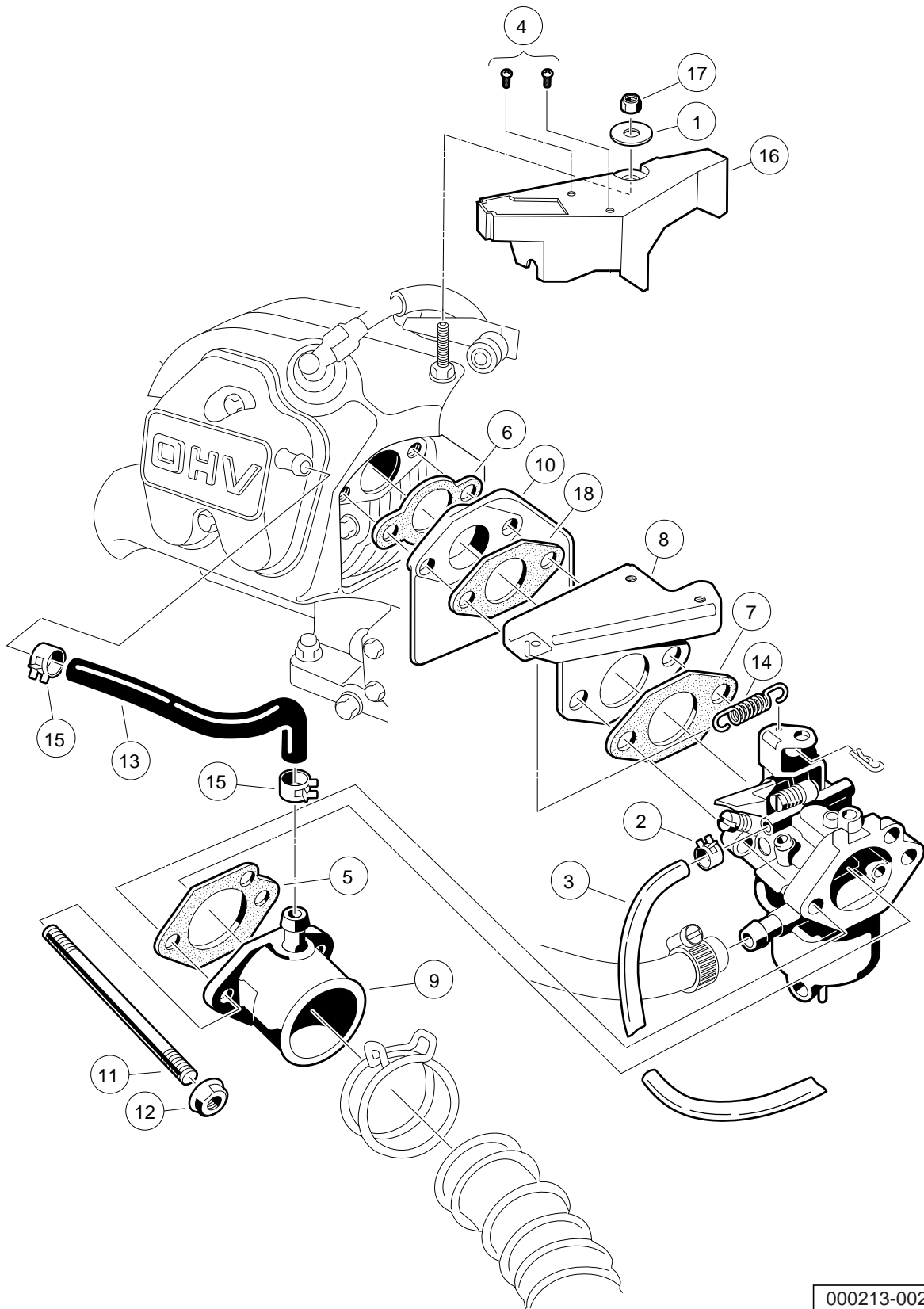
000212-001

CARBURETOR ASSEMBLY – FE350-(AS11, AS26)

| ITEM | PART NO. | DESCRIPTION | QTY |
|---|-----------|---|-----|
| | | 1 2 3 4 | |
| 1 | 101642575 | Jet, Altitude, # 75 | 1 |
| 2 | 101642578 | Jet, Altitude, # 78 | 1 |
| 3 | 101642580 | Jet, Altitude, # 80 | 1 |
| 4 | 101642582 | Jet, Altitude, # 82 | 1 |
| 5 | 103524501 | Carburetor, Fe350d Hs (includes items 6 through 15) | 1 |
| 6 | 101642585 | Jet, Altitude, # 85 | 1 |
| 7 | 1016437 | Gasket, Carburetor Bowl OHV | 1 |
| 8 | 1016486 | Float Assembly | 1 |
| 9 | 1016501 | Screw Assembly | 1 |
| 10 | 1016585 | Bolt | 1 |
| 11 | 1017461 | Chamber Assembly, Float (includes item 12) (includes item 12) | 1 |
| 12 | 1016499 | Screw Assembly | 1 |
| 13 | 101973101 | Jet, #40 Pilot | 1 |
| 14 | 101973301 | Nozzle, Main | 1 |
| 15 | N/A | Assembly, Pilot Air Screw | 1 |
| <p>Note: 103524501 Carburetor Assy is retrofittable to AS11 Engines. Jets:101642585 for 0 - 3,000 feet; 101642582 for 3,000 - 5,000 feet; 101642580 for 5,000 - 8,000 feet; 101642578 for 8,000 - 10,000 feet; 101642575 for 10,000 feet and higher.</p> | | | |

9

G



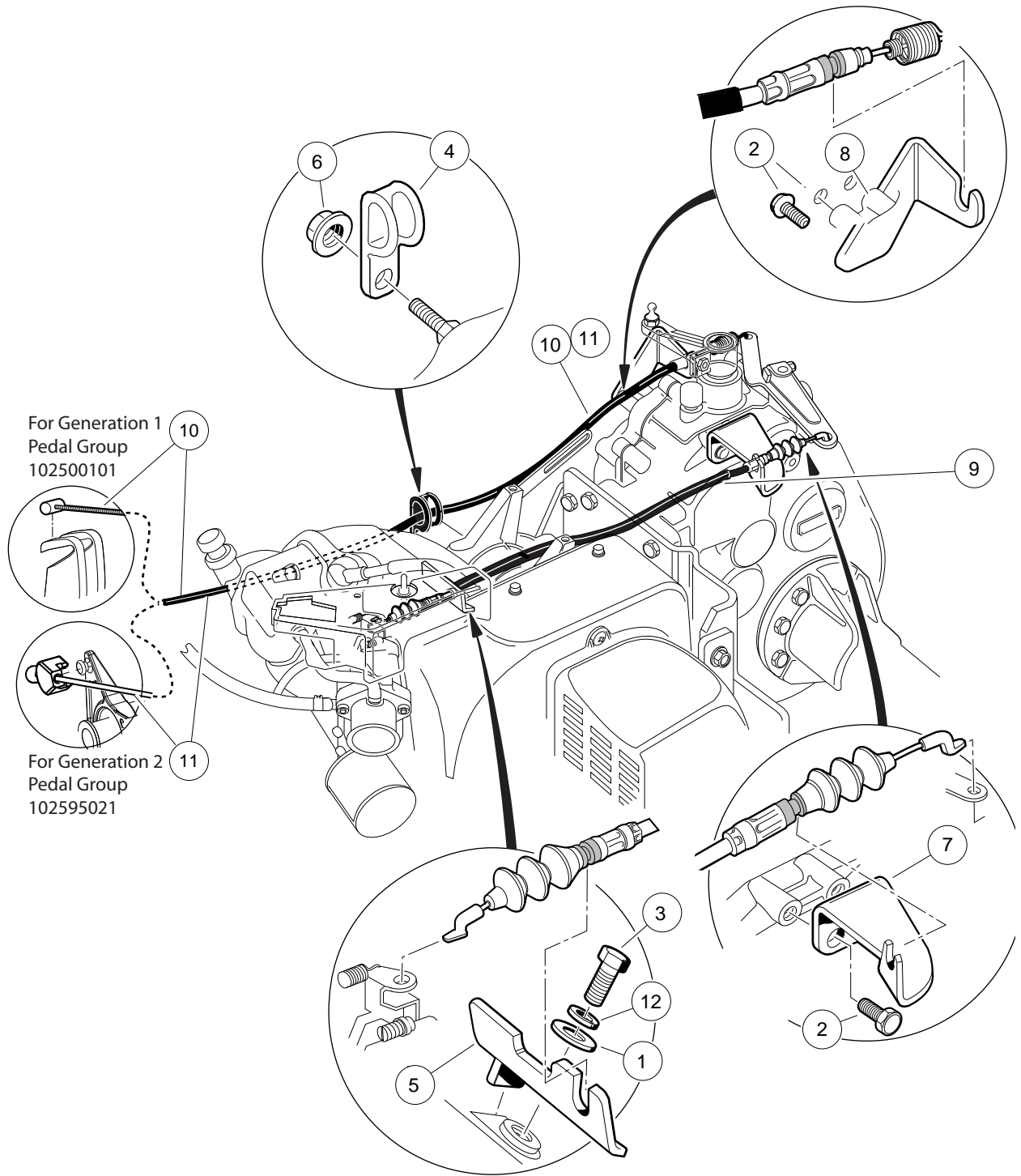
000213-002

CARBURETOR INSTALLATION – FE350 (AS11)

| ITEM | PART NO. | DESCRIPTION | QTY |
|------|-----------|---|-----|
| | | 1 2 3 4 | |
| 1 | 1011697 | Washer, 5/16 Flat | 1 |
| 2 | 1013746 | Clamp, 0.301 ID Hose | 1 |
| 3 | 1015137 | Fuel Line (available by the foot) | 1 |
| 4 | 1016103 | Screw, Pan Hd Tx, Taptite 6-32 | 2 |
| 5 | 1016438 | Gasket, Carb To Intake Manifold | 1 |
| 6 | 1016440 | Gasket, Engine to Insulator | 1 |
| 7 | 1016441 | Gasket, Sprg Brkt To Carb OHV | 1 |
| 8 | 1016444 | Bracket, Throttle Spring Return | 1 |
| 9 | 1016480 | Pipe, Intake Manifold | 1 |
| 10 | 101648102 | Insulator, Carburetor | 1 |
| 11 | 101649002 | Stud, M6-1.00 Two-Ended | 2 |
| 12 | 1016547 | Nut, M6 Flange | 2 |
| 13 | 1016572 | Tube, Crankcase Vent | 1 |
| 14 | 1016582 | Spring, Throttle Return | 1 |
| 15 | 1017466 | Clamp | 2 |
| 16 | 101820201 | Shield, Governor | 1 |
| 17 | 101887601 | Locknut, M6-1.00 Nylon Insert | 1 |
| 18 | 101973401 | Gasket, Insulator To Bracket | 1 |

9

G

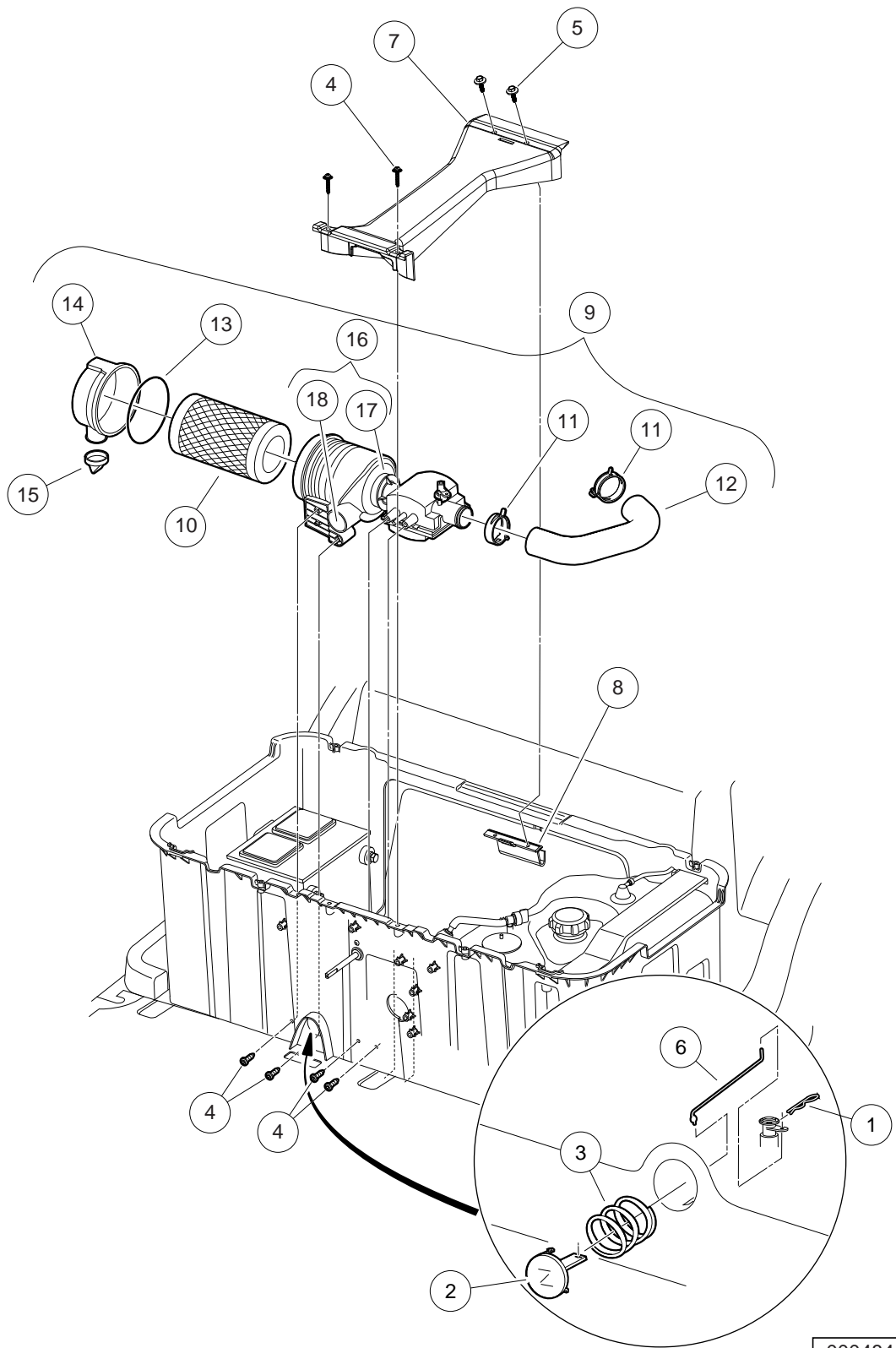


000215-

GOVERNOR AND ACCELERATOR CABLES

| ITEM | PART NO. | DESCRIPTION | QTY |
|------|-----------|---|-----|
| | | 1 2 3 4 | |
| 1 | 1011697 | Washer, 5/16 Flat | 1 |
| 2 | 1012285 | Screw, 1/4 X 0.625 Hex-Head | 4 |
| 3 | 1012830 | Screw, M8-125 X 22 Hex-Head | 1 |
| 4 | 1013700 | Clamp | 2 |
| 5 | 101584502 | Bracket, Governor Cable Snap-In | 1 |
| 6 | 1016546 | Nut | 2 |
| 7 | 101832202 | Bracket, Rear Governor Cable Snap-In | 1 |
| 8 | 101832302 | Bracket, Rear Accelerator Cable Snap-In | 1 |
| 9 | 102336001 | Cable, Governor, Snap-In | 1 |
| 10 | 102513102 | Cable, Acc, Snap-in (Generation 1) | 1 |
| 11 | 102595101 | Cable, Acc, Snap-in (Generation 2) | 1 |
| 12 | 7174 | Lockwasher, 5/16 Split | 1 |
| | | Note: 102513102 Cable, Acc, Snap-in is used with the Generation 1 Pedal Group, 102500101. | |

9
G



000484-002

CHOKE AND AIR BOX ASSEMBLY

| ITEM | PART NO. | DESCRIPTION | QTY |
|------|-----------|--|-----|
| | | 1 2 3 4 | |
| 1 | 1014413 | Pin, Hair Spring Cotter | 1 |
| 2 | 101811401 | Lever, Choke | 1 |
| 3 | 101856201 | Compression Spring | 1 |
| 4 | 102296020 | Screw, Torx Pan Hd Pt, M6 X 20 | 6 |
| 5 | 102297125 | Screw M6-1.0x25.4 Thd Fm Sems | 2 |
| 6 | 102514401 | Rod, Choke Button | 1 |
| 7 | 102521301 | Brace, Gas Fuel Bucket | 1 |
| 8 | 102521401 | Support, Gas Bucket Brace | 1 |
| 9 | 102588301 | Air Intake Assy (includes items 10 through 16) | 1 |
| 10 | 102558201 | Air Filter, Precedent | 1 |
| 11 | 102558301 | Clamp, Air Intake, Prec | 2 |
| 12 | 102558401 | Hose, Air Intake, Prec | 1 |
| 13 | 102558501 | Gasket, Air Intake, Prec | 1 |
| 14 | 102558601 | Cover Asm, Air Intake, Prec | 1 |
| 15 | 102558701 | Evac Valve, Air Intake, Prec | 1 |
| 16 | N/A | Assembly, Body Intake (includes items 17 and 18) | 1 |
| 17 | N/A | Filter Element, Air Intake | 1 |
| 18 | N/A | Insert, Air Intake Body | 1 |

9

G

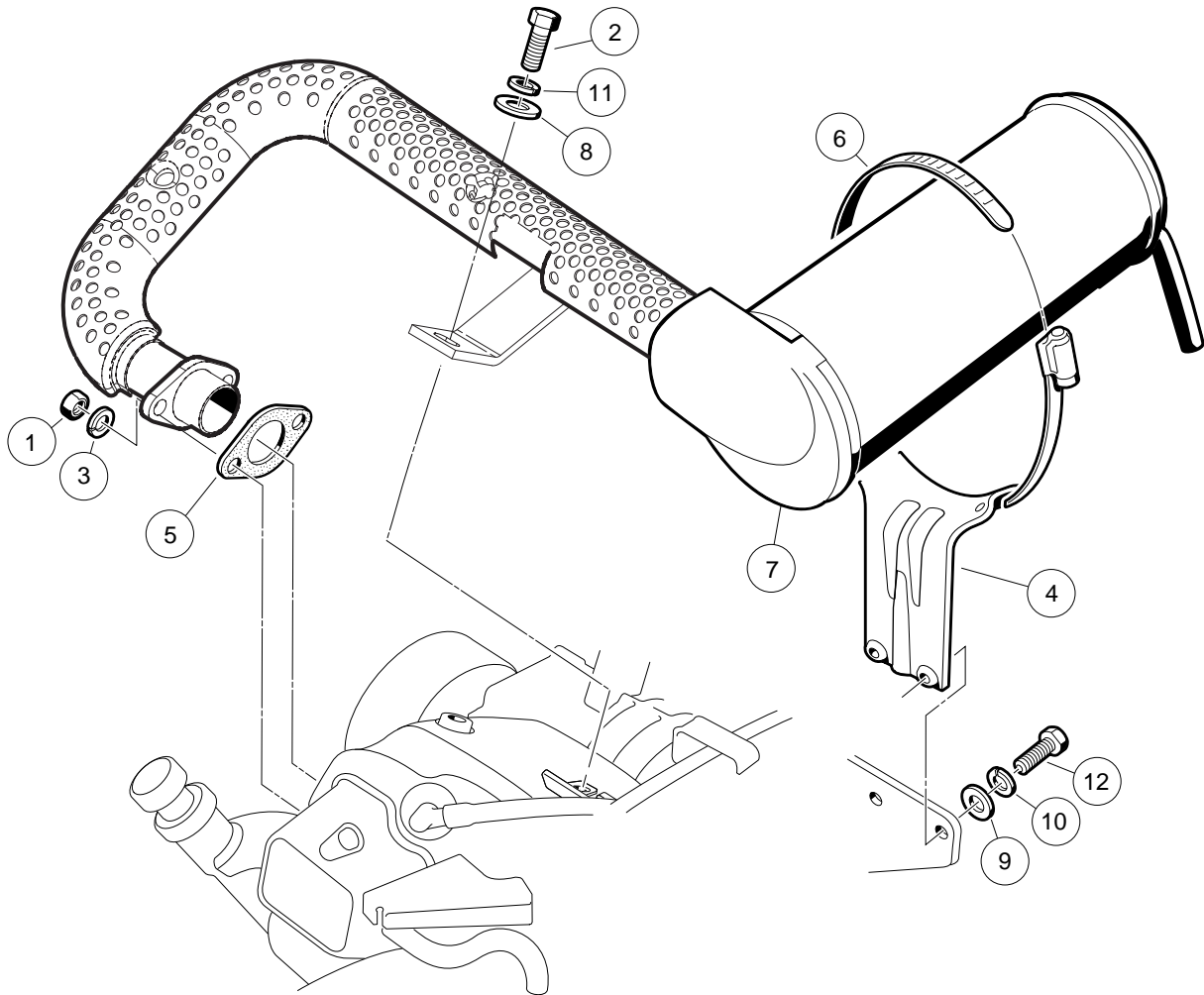
9

G

EXHAUST SYSTEM

10

G



000491-001

EXHAUST SYSTEM – FE350 (AS11)

| ITEM | PART NO. | DESCRIPTION | QTY |
|------|-----------|---|-----|
| | | 1 2 3 4 | |
| 1 | 1012528 | Nut, M8-1.25 Hex | 2 |
| 2 | 1012830 | Screw, M8-125 X 22 Hex-Head | 1 |
| 3 | 1013734 | Lockwasher, 8mm Split | 2 |
| 4 | 1015814 | Bracket, Muffler Mounting | 1 |
| 5 | 1016904 | Gasket, Exhaust | 1 |
| 6 | 1017689 | Clamp, 5" Muffler Hose | 1 |
| 7 | 102585901 | Exhaust System, FE350, Precedent | 1 |
| 8 | 1241 | Washer, 5/16 Type A Flat | 1 |
| 9 | 332 | Washer, 1/4 Type A Narrow Flat | 2 |
| 10 | 451 | Lockwasher, 1/4 Split | 2 |
| 11 | 7174 | Lockwasher, 5/16 Split | 1 |
| 12 | 7847 | Screw, 1/4-20 X 0.75 Hex-Head Cap | 2 |

10

G

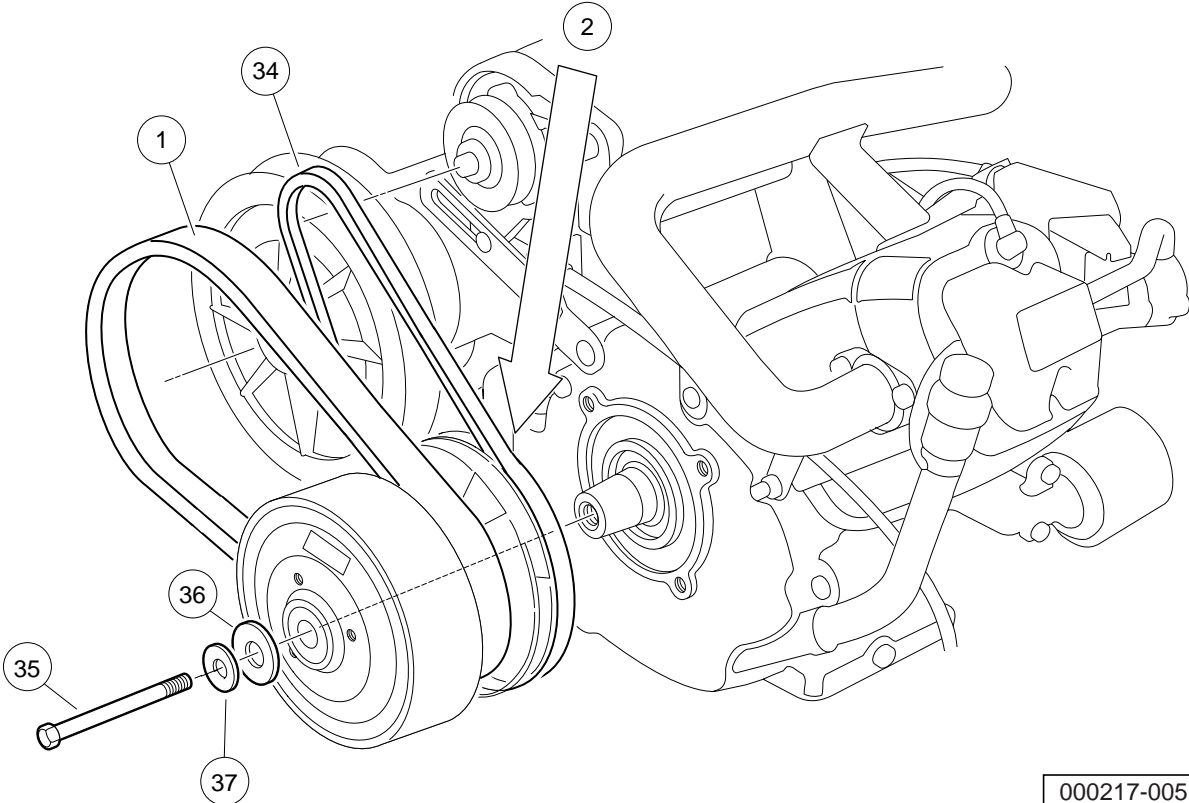
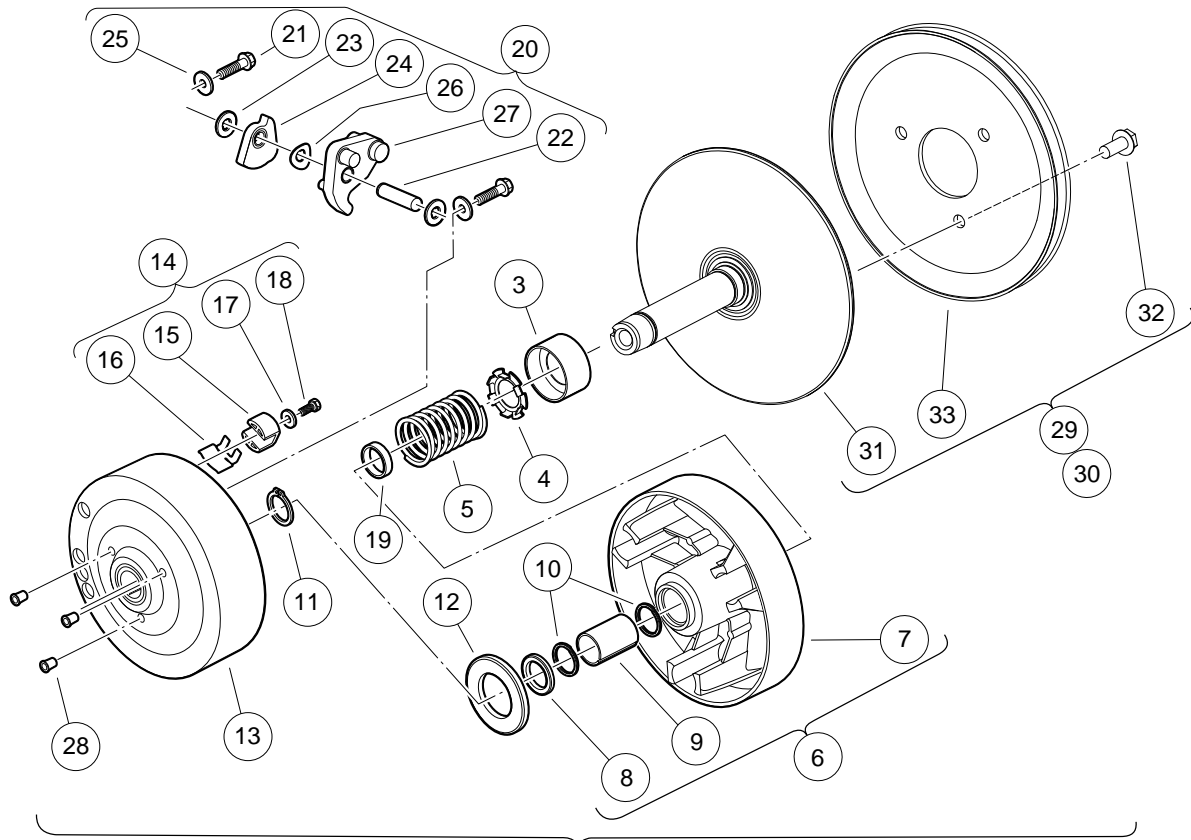
10

G

TORQUE CONVERTER

11

G

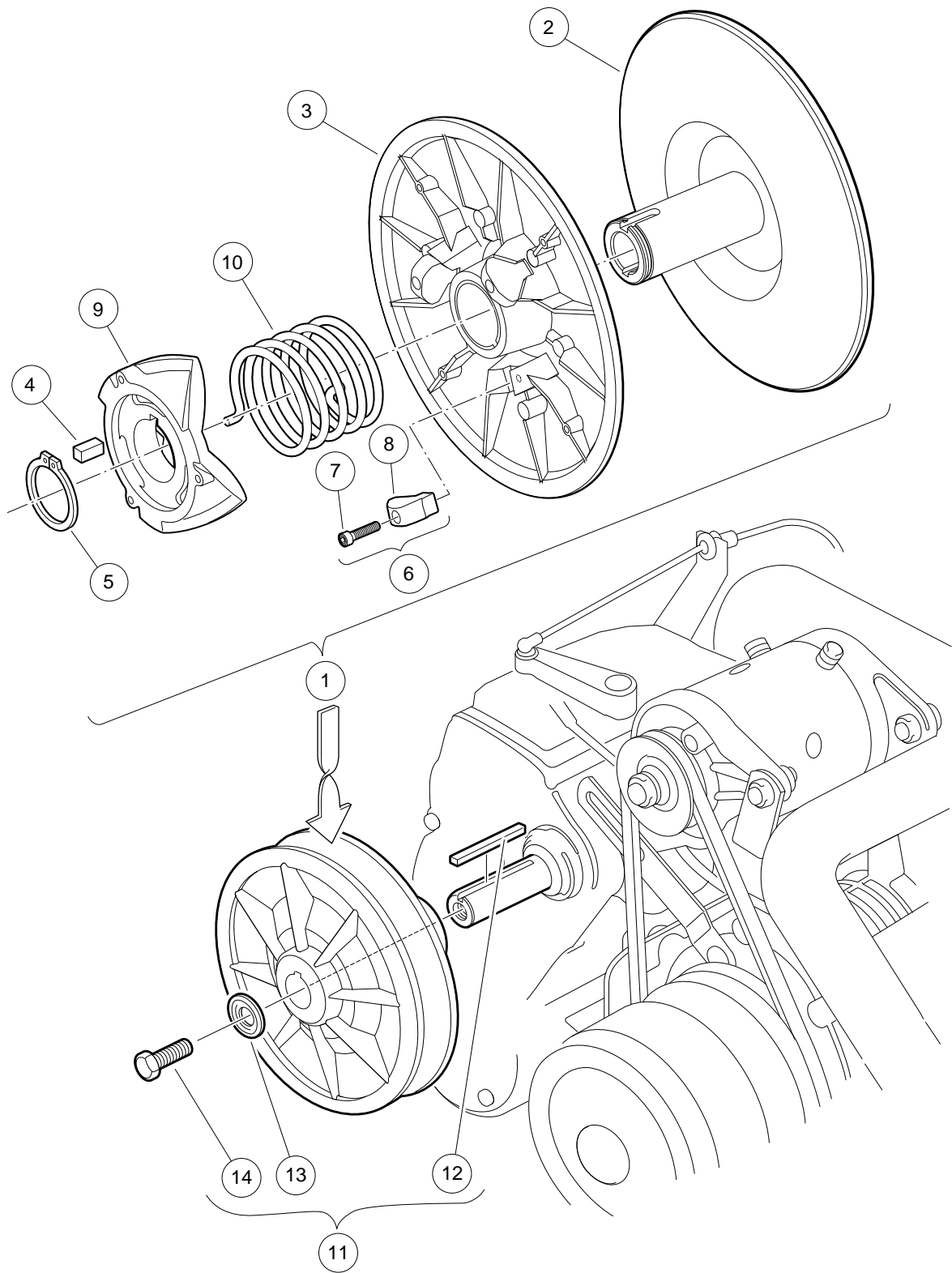


000217-005

DRIVE CLUTCH

11
G

| ITEM | PART NO. | DESCRIPTION | QTY |
|------|-----------|---|-----|
| | | 1 2 3 4 | |
| 1 | 1016203 | Belt, Drive | 1 |
| 2 | 101833902 | Clutch, Drive (includes items 3 through 29) | 1 |
| 3 | 1014049 | Bearing, Idler | 1 |
| 4 | 1014050 | Retainer, Spring | 1 |
| 5 | 1014051 | Spring, Drive Clutch | 1 |
| 6 | 1014052 | Movable-Face Assembly (includes items 7 through 9) | 1 |
| 7 | N/A | Drive Clutch Movable Face | 1 |
| 8 | 1014055 | Retainer | 1 |
| 9 | N/A | Bushing, Split, Drive Clutch | 1 |
| 10 | 1014056 | Ring, Spiral Backup | 2 |
| 11 | 1014057 | Ring, 0.810" Internal Retaining | 1 |
| 12 | 1014058 | Thrust Washer | 1 |
| 13 | 1014059 | Drive Hub Assy, Drive Clutch | 1 |
| 14 | 1014453 | Kit, Drive Clutch Button (includes items 15 through 18) | 1 |
| 15 | 1014062 | Driver, Drive Clutch | 3 |
| 16 | 1014287 | Spring, Drive Button | 3 |
| 17 | 183 | Washer, #10 Type A Flat | 3 |
| 18 | 8450 | Screw, #10-24 X 0.50 Hex-Head | 3 |
| 19 | 1016289 | Spacer, Fixed Face Shaft | 1 |
| 20 | 1016801 | Kit, Drive Clutch Weight (includes items 21 through 27) | 1 |
| 21 | 1014063 | Screw, 1/4-20 X 1.00 Hex Head | 6 |
| 22 | N/A | Pin, 0.3752 X 1.50 Dowel | 3 |
| 23 | 1014065 | Washer, 0.38" ID Delrin Flat | 6 |
| 24 | N/A | Clutch Weight, Secondary | 3 |
| 25 | N/A | Washer | 6 |
| 26 | 1016201 | Washer, Wave | 3 |
| 27 | N/A | Weight, Primary | 3 |
| 28 | 101925601 | Plug, Drive Clutch | 3 |
| 29 | 101929802 | Kit, Fxd Face Dr Asm Fe290/350 (includes item 30) | 1 |
| 30 | N/A | Assembly, Fixed-Face Drive (includes items 31 through 33) | 1 |
| 31 | N/A | Fixed Face Assembly, Drive Clutch | 1 |
| 32 | 1014288 | Screw, 5/16-18 X 0.75 Thread-Forming | 3 |
| 33 | N/A | Pulley, Clutch | 1 |
| 34 | 101916701 | V-Belt | 1 |
| 35 | 103345701 | Screw 3/8-24x5.5 Hex Loc Ptch | 1 |
| 36 | 334 | Washer, 3/8 Type A Flat | 1 |
| 37 | 808 | Washer, 3/8 Type B Flat | 1 |



000219-001

DRIVEN CLUTCH

| ITEM | PART NO. | DESCRIPTION | QTY |
|------|-----------|---|-----|
| | | 1 2 3 4 | |
| 1 | 101834001 | Assembly, Driven Clutch (includes items 2 through 10) | 1 |
| 2 | 1014070 | Fixed Face Assy, Driven Clutch | 1 |
| 3 | 1014072 | Movable-Face Assembly with Bushing | 1 |
| 4 | 1014078 | Key, Driven Clutch | 1 |
| 5 | 1014080 | Ring, Retaining | 1 |
| 6 | 1014454 | Kit, Driven Clutch Button (includes items 7 and 8) | 1 |
| 7 | 1012836 | Screw, #8-32 X 3/4 Socket-Head Cap | 3 |
| 8 | N/A | Button, Drive | 3 |
| 9 | 1017686 | Cam, Driven Clutch | 1 |
| 10 | 101836201 | Spring, Driven Clutch, Reversed | 1 |
| 11 | AM10419 | Kit, Clutch Repair (includes items 12 through 14) | 1 |
| 12 | 101833401 | Key, 3/16 Sq X 1.50" | 1 |
| 13 | N/A | Washer, Driven Clutch | 1 |
| 14 | 102242101 | Screw, 5/16-18 X 3/4 Hex-Head with Patch | 1 |

11
G

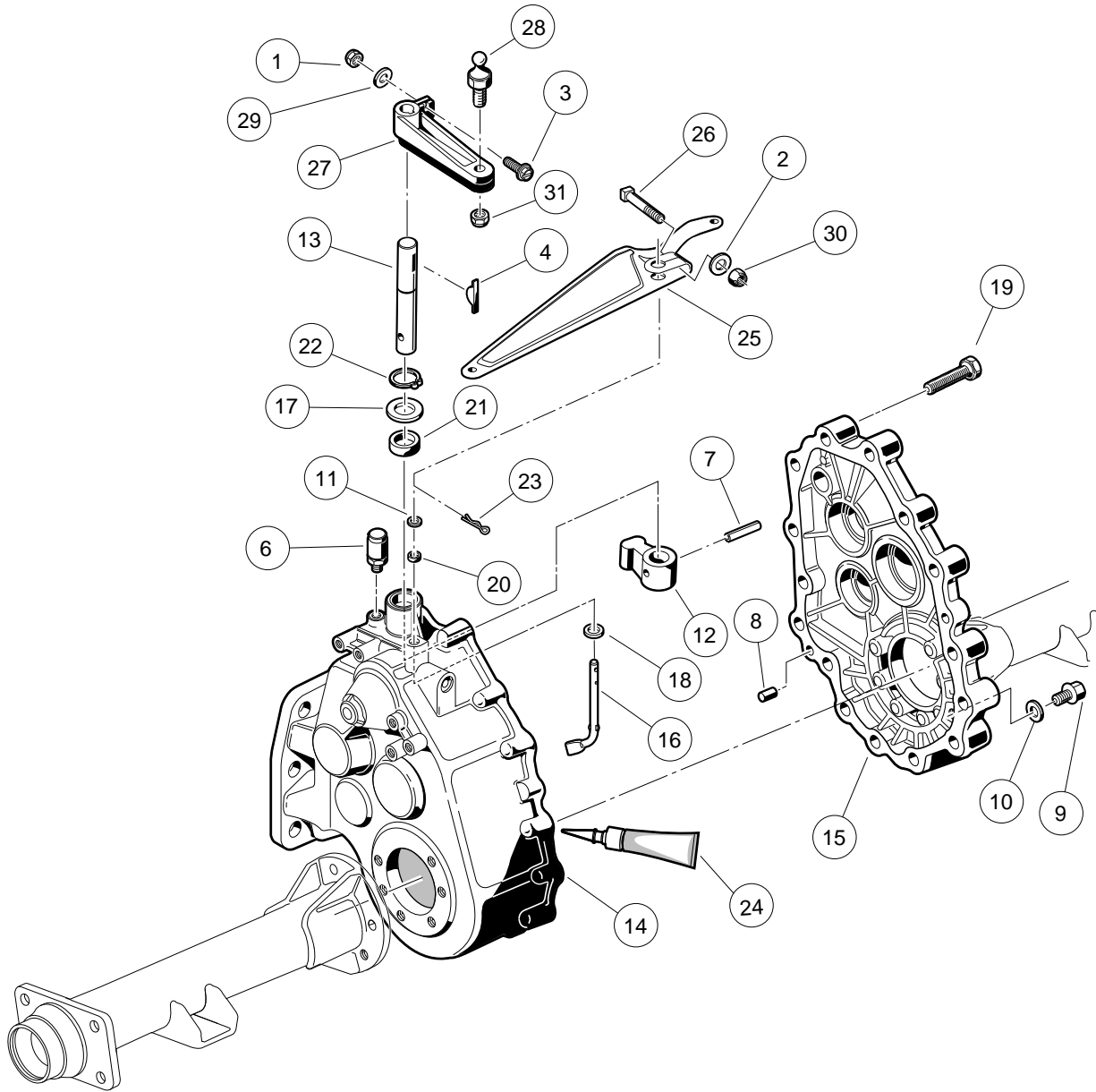
11

G

UNITIZED TRANSAXLE

12

G



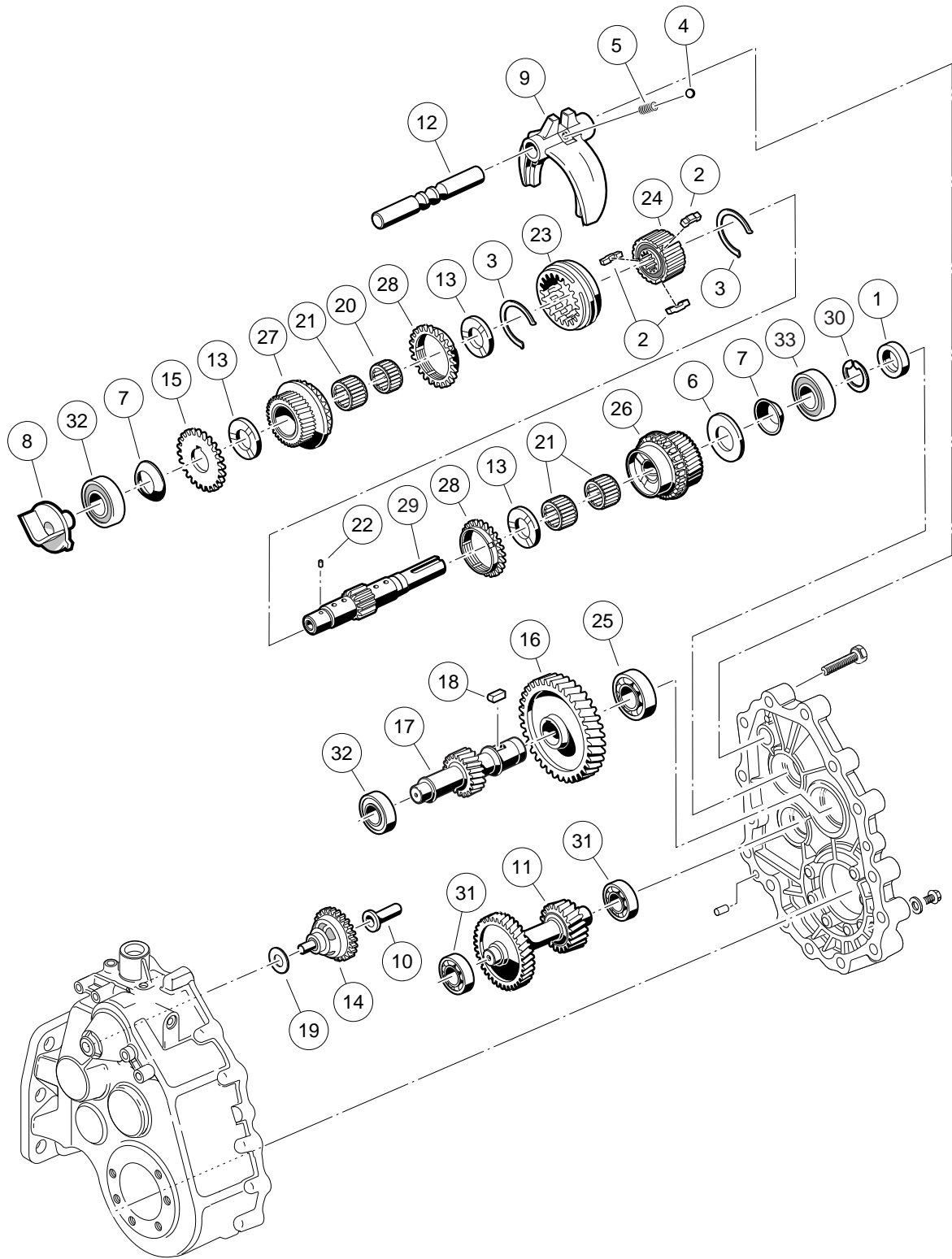
000220-002

UNITIZED TRANSAXLE – GEAR CASES AND BRACKETS

| ITEM | PART NO. | DESCRIPTION | QTY |
|---|-----------|--|-----|
| | | 1 2 3 4 | |
| 1 | 1013061 | Locknut, #10-32 Nylon Insert | 1 |
| 2 | 1014007 | Washer, 1/4 Flat | 1 |
| 3 | 1017082 | Screw, #10-32 X 0.75, Hex-Head Machine | 1 |
| 4 | 1017231 | Key, Woodruff | 1 |
| 5 | 101833601 | Transaxle, 11.77 Ratio (includes items 6 through 24) | 1 |
| 6 | 1012711 | Breather | 1 |
| 7 | 1012752 | Roll Pin | 1 |
| 8 | 1012896 | Pin, Dowel | 2 |
| 9 | 1013760 | Fill Plug | 2 |
| 10 | 1016432 | Gasket, Drain Plug | 1 |
| 11 | 1016513 | Washer, M6 Flat | 1 |
| 12 | 101890101 | Lever, Change | 1 |
| 13 | 101890201 | Shaft - Change | 1 |
| 14 | 101890501 | Gear Case (driver side) | 1 |
| 15 | 101890601 | Gear Case (passenger side) | 1 |
| 16 | 101891301 | Arm Pivot | 1 |
| 17 | 101892901 | Washer | 1 |
| 18 | 101893801 | Washer | 1 |
| 19 | 101926901 | Screw, M8-1.25 X 40mm Hex-Head | 15 |
| 20 | 101927101 | Seal, Oil | 1 |
| 21 | 101927201 | Seal, Oil | 1 |
| 22 | 101927301 | Snap Ring | 1 |
| 23 | 101928601 | Pin, Cotter | 1 |
| 24 | 101928701 | Liquid Gasket (Transaxle case) | 1 |
| 25 | 101834801 | Arm, Governor | 1 |
| 26 | 101886101 | Screw, 1/4-20 X 1.00 Square-Head | 1 |
| 27 | 102515401 | Lever, Transmission Shift | 1 |
| 28 | 102526201 | Stud, Thread, 1/4-28 | 1 |
| 29 | 183 | Washer, #10 Type A Flat | 1 |
| 30 | 8233 | Locknut, 1/4-20 Nylon Insert | 1 |
| 31 | 8717 | Locknut, 1/4-28 Nylon Insert | 1 |
| Note: Unitized transaxle component listings span several pages. | | | |

12

G



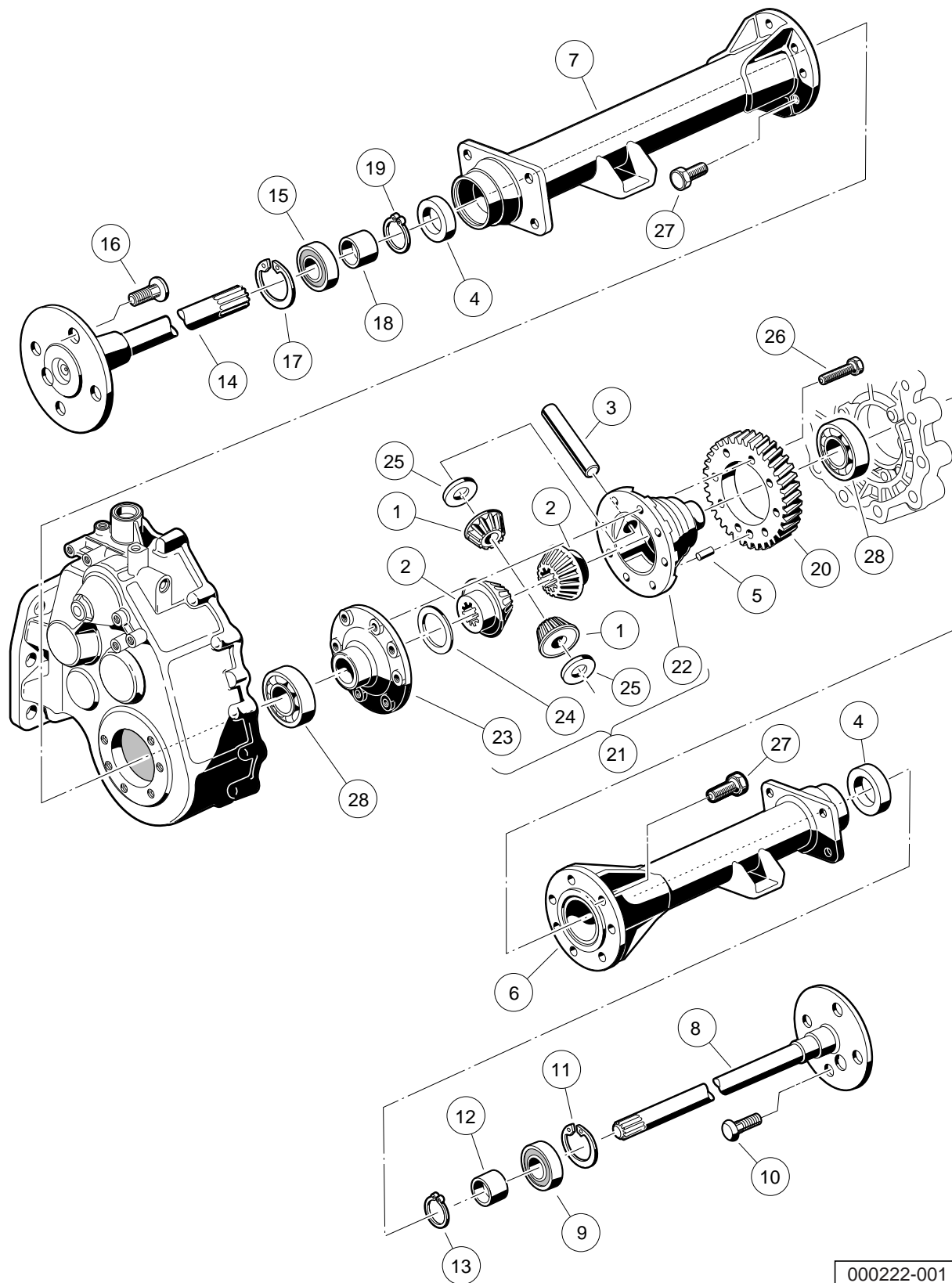
000221-001

UNITIZED TRANSAXLE – F&R TRANSMISSION AND GEAR REDUCTION

| ITEM | PART NO. | DESCRIPTION | QTY |
|------|-----------|--|-----|
| | | 1 2 3 4 | |
| 1 | 1012714 | Oil Seal | 1 |
| 2 | 1012740 | Synchro Insert | 3 |
| 3 | 1012741 | Synchro Spring | 2 |
| 4 | 1012747 | Shifter Ball | 1 |
| 5 | 1012748 | Shifter Spring | 1 |
| 6 | 1016337 | Washer, Thrust | 1 |
| 7 | 1016338 | Washer, Spring | 2 |
| 8 | 101889401 | Guide | 1 |
| 9 | 101890001 | Fork - Shift | 1 |
| 10 | 101891601 | Sleeve, Governor | 1 |
| 11 | 101891901 | Gear, Cluster | 1 |
| 12 | 101892001 | Rod, Shift | 1 |
| 13 | 101892201 | Plate, Thrust | 3 |
| 14 | 101892301 | Governor Assembly | 1 |
| 15 | 101892401 | Gear, Spur | 1 |
| 16 | 101892501 | Gear, Helical (61 Tooth) | 1 |
| 17 | 101892601 | Gear, Helical (17 Tooth) | 1 |
| 18 | 101893201 | Key Sunk | 1 |
| 19 | 101893901 | Washer | 1 |
| 20 | 101927501 | Needle Bearing | 1 |
| 21 | 101927601 | Needle Bearing | 3 |
| 22 | 101927701 | Pin, .116" Dia X 0.264 Dowel | 1 |
| 23 | 101927901 | Sleeve, Synchro | 1 |
| 24 | 101928001 | Hub, Synchro Clutch | 1 |
| 25 | 101928101 | Bearing, Ball | 1 |
| 26 | 101980801 | Gear Assembly, 16-Degree Synchro (25 Tooth) | 1 |
| 27 | 101980901 | Gear Assembly, 16-Degree Rear Synchro (28 Tooth) | 1 |
| 28 | 101981001 | Ring, 16-Degree Synchronizer | 2 |
| 29 | 102453001 | Shaft, Trans, with Circlip | 1 |
| 30 | 102453101 | Circlip | 1 |
| 31 | 7335 | Bearing | 2 |
| 32 | AM10080 | Bearing, Ball, Sealed | 2 |
| 33 | AM10081 | Bearing, Ball, Sealed | 1 |

12

G



000222-001

UNITIZED TRANSAXLE – DIFFERENTIAL AND AXLES

| ITEM | PART NO. | DESCRIPTION | QTY |
|------|-----------|---|-----|
| | | 1 2 3 4 | |
| 1 | 1013770 | Differential Idler Gear | 2 |
| 2 | 1013771 | Gear, Differential | 2 |
| 3 | 1013772 | Pin, Differential | 1 |
| 4 | 1013794 | Axle Shaft Oil Seal | 2 |
| 5 | N/A | Dowel Pin | 1 |
| 6 | 101890901 | Pipe | 1 |
| 7 | 101891001 | Pipe | 1 |
| 8 | 101891401 | Axle Assembly, Passenger Side (includes items 9 through 13) | 1 |
| 9 | 1011291 | Outer Axle, Tube Bearing | 1 |
| 10 | 1013787 | Lug Stud | 4 |
| 11 | 1013792 | Circlip Type C | 1 |
| 12 | 1014207 | Bushing | 1 |
| 13 | 1016672 | Retaining Ring | 1 |
| 14 | 101891501 | Axle Assembly, Driver-Side (includes items 15 through 19) | 1 |
| 15 | 1011291 | Outer Axle, Tube Bearing | 1 |
| 16 | 1013787 | Lug Stud | 4 |
| 17 | 1013792 | Circlip Type C | 1 |
| 18 | 1014207 | Bushing | 1 |
| 19 | 1016672 | Retaining Ring | 1 |
| 20 | 101892701 | Gear, Helical | 1 |
| 21 | 101910501 | Kit, Differential Gear Case (includes items 22 through 25) | 1 |
| 22 | 1013768 | Differential Gear Case, Left-Hand | 1 |
| 23 | 1013769 | Differential Gear Case, Right-Hand | 1 |
| 24 | 1013773 | Plate, Thrust (Differential Gear) | 1 |
| 25 | 1013774 | Plate, Thrust (Idler Gear) | 2 |
| 26 | 101928301 | Screw, M8-1.25 X 35mm Hex Head | 8 |
| 27 | 102031901 | Bolt, M10 X 1.5 X 30mm | 14 |
| 28 | 7330 | Inner Axle Tube Bearing | 2 |

12
G

12

G

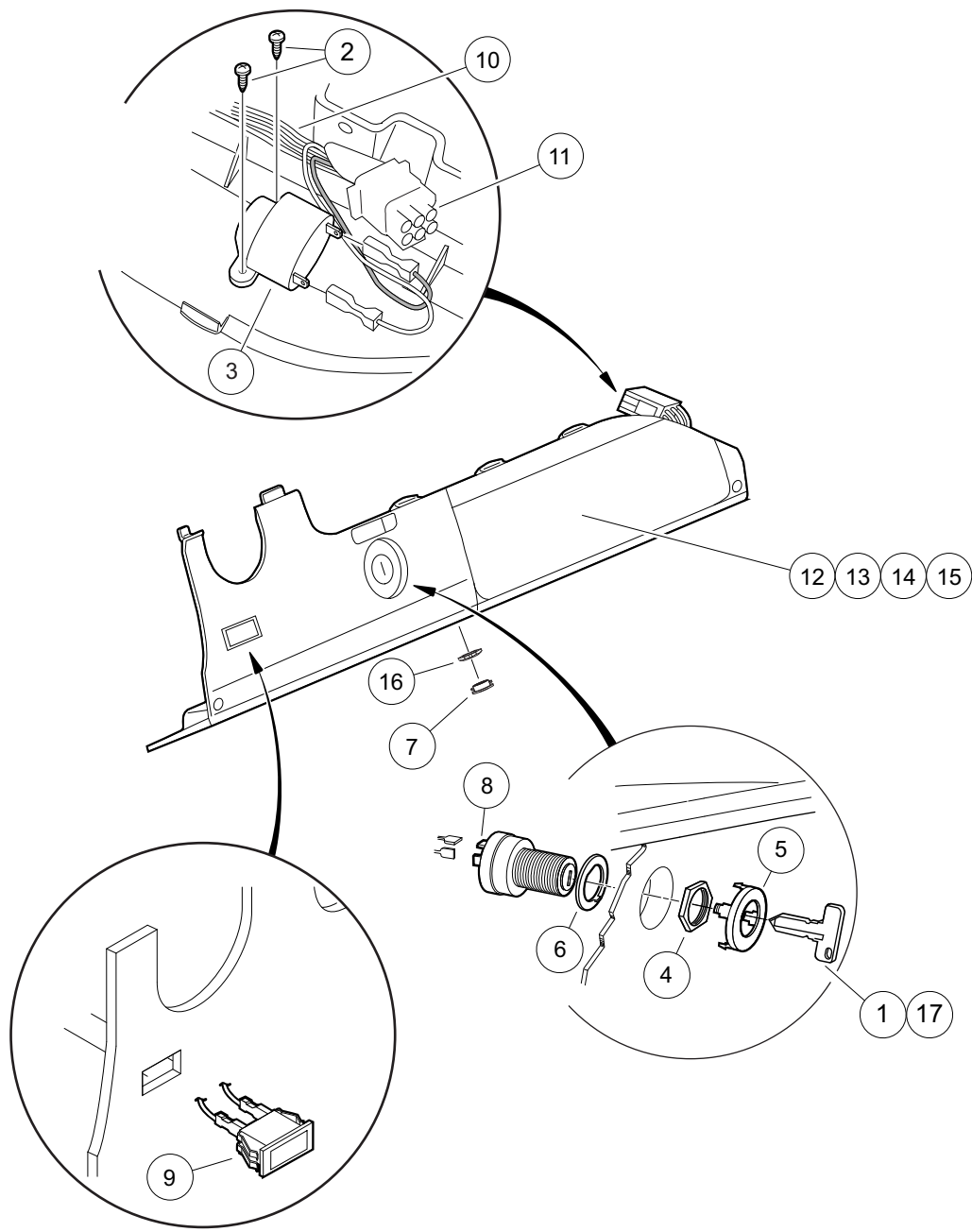
ELECTRICAL SYSTEM – ELECTRIC VEHICLE

13

E

13

E



000490-001

ELECTRICAL COMPONENTS, FRONT BODY – ELECTRIC VEHICLE

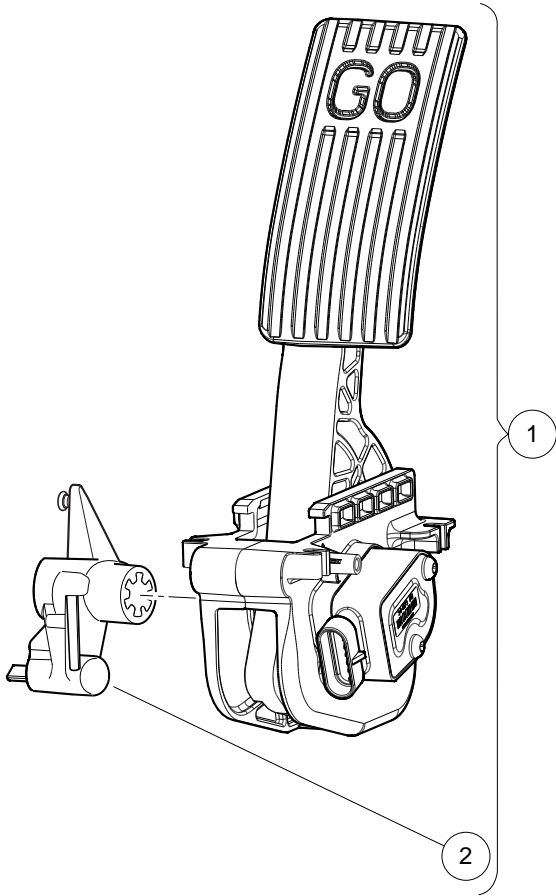
| ITEM | PART NO. | DESCRIPTION | QTY |
|------|-----------|---|-----|
| | | 1 2 3 4 | |
| 1 | 1012505 | Keys (set of 2) | 1 |
| 2 | 1016849 | Screw, #4-24 X 0.33 Pan-Head Machine | 2 |
| 3 | 1016851 | Buzzer, Reverse (9-48 VDC) | 1 |
| 4 | 101830701 | Nut, Key Switch | 1 |
| 5 | 101834502 | Cap, Black Key Switch | 1 |
| 6 | 101851101 | Washer, Key Switch | 1 |
| 7 | 102196901 | Dust Cap | 1 |
| 8 | 102508601 | Key Switch, Electric | 1 |
| 9 | 102508701 | Light, Battery | 1 |
| 10 | 102510001 | Ip Control Harness, Elec (includes item 11) | 1 |
| 11 | N/A | Connector, Cap 9-pin | 1 |
| 12 | 102522901 | Instrument Panel (standard) | 1 |
| 13 | 102536601 | Instrument Panel (with Hole for Headlight Switch) | 1 |
| 14 | 102536603 | Instrument Panel (with Hole for Battery Condition Indicator) | 1 |
| 15 | 102536605 | Instrument Panel (with Hole for Headlight Switch and Battery Condition Indicator) | 1 |
| 16 | 102572401 | Nut, Diagnostic Port, Prec | 1 |
| 17 | AM10079 | Bulk Std Keys (50) * | 1 |
| | | * Note: Must order in multiples of 50. | |

13

E

13

E



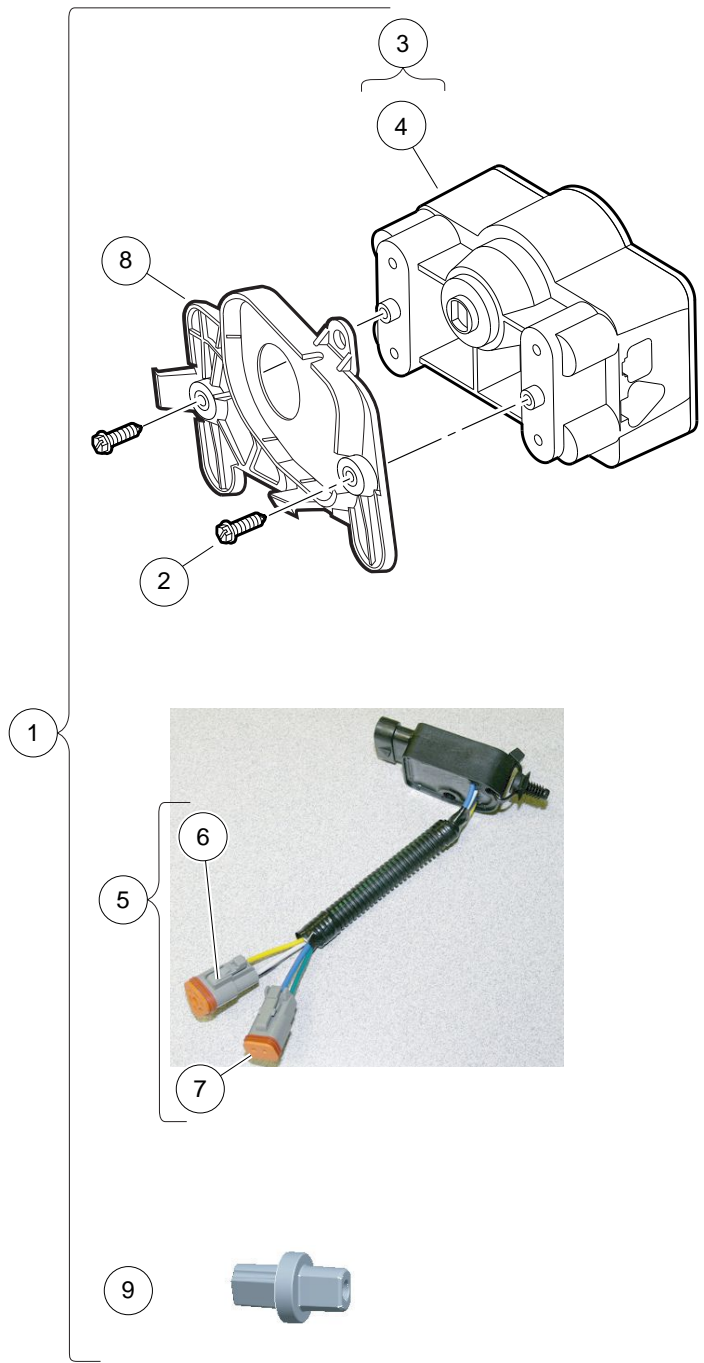
000488-004

THROTTLE SENSOR

| ITEM | PART NO. | DESCRIPTION | QTY |
|--|-----------|---|-----|
| 1 | 102595601 | 1 2 3 4 Throttle, Elec (includes item 2) | 1 |
| 2 | 103760701 | Asm, Gen2, Park Brake Release | 1 |
| <p>Note: 2009 vehicles may be equipped with either this throttle sensor or an MCOR. To retrofit an MCOR in place of the sensor, use kit 103683101 for both Excel and IQ vehicles. See next page.</p> | | | |

13

E



000488-005

MOTOR CONTROLLER OUTPUT REGULATOR (MCOR)

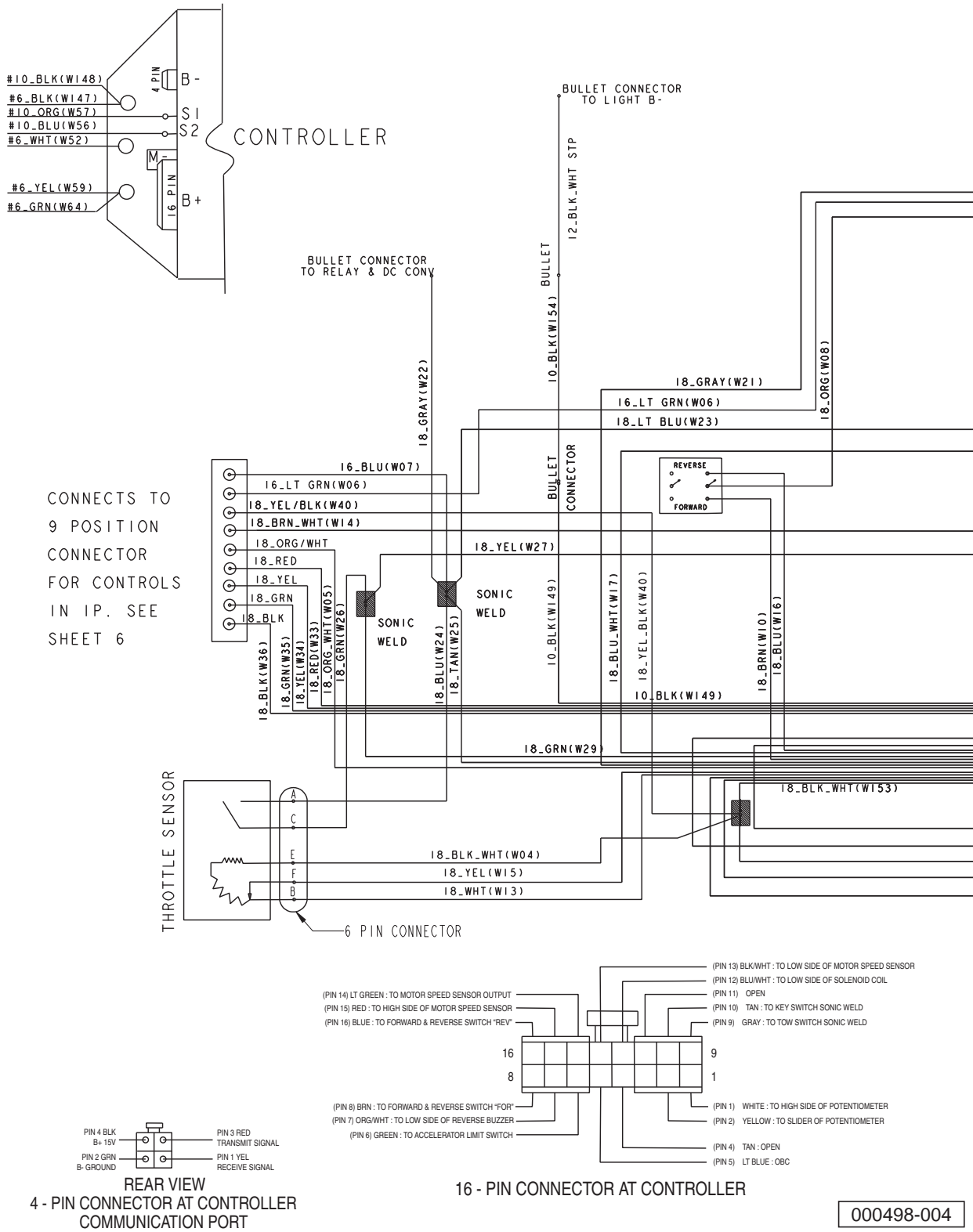
| ITEM | PART NO. | DESCRIPTION | QTY |
|---|-----------|---|-----|
| | | 1 2 3 4 | |
| 1 | 103683101 | Kit, Gen 2 Pedal, Mcor, Excel and IQ (includes items 2 through 9) | 1 |
| 2 | 102563101 | Screw, Type A, #10 | 3 |
| 3 | 103327901 | Kit, Mcor (includes item 4) | 1 |
| 4 | N/A | Mcor, Prec | 1 |
| 5 | 103682701 | Harness, Jumper, Mcor, Excel and IQ (includes items 6 and 7) | 1 |
| 6 | 101920101 | Kit, 3-Pin Wedge Lock | 1 |
| 7 | 101936801 | Kit, 2-Pin Wedge Lock | 1 |
| 8 | 103744901 | Adapter, Gen 2 Pedal, Mcor | 1 |
| 9 | 103745001 | Drive Bar, Gen 2 Pedal, Mcor | 1 |
| <p>Note: 2009 vehicles may be equipped with either this MCOR or a throttle sensor. See previous page. To retrofit an MCOR in place of the sensor, use kit 103683101 for both Excel and IQ vehicles.</p> | | | |

13

E

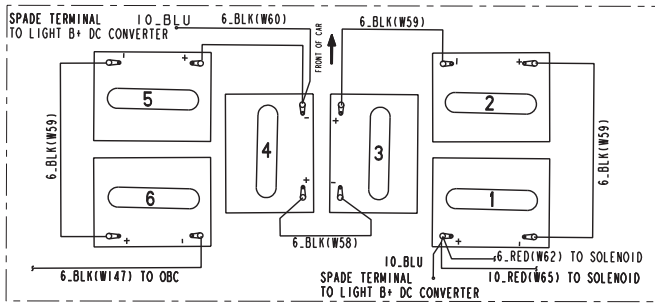
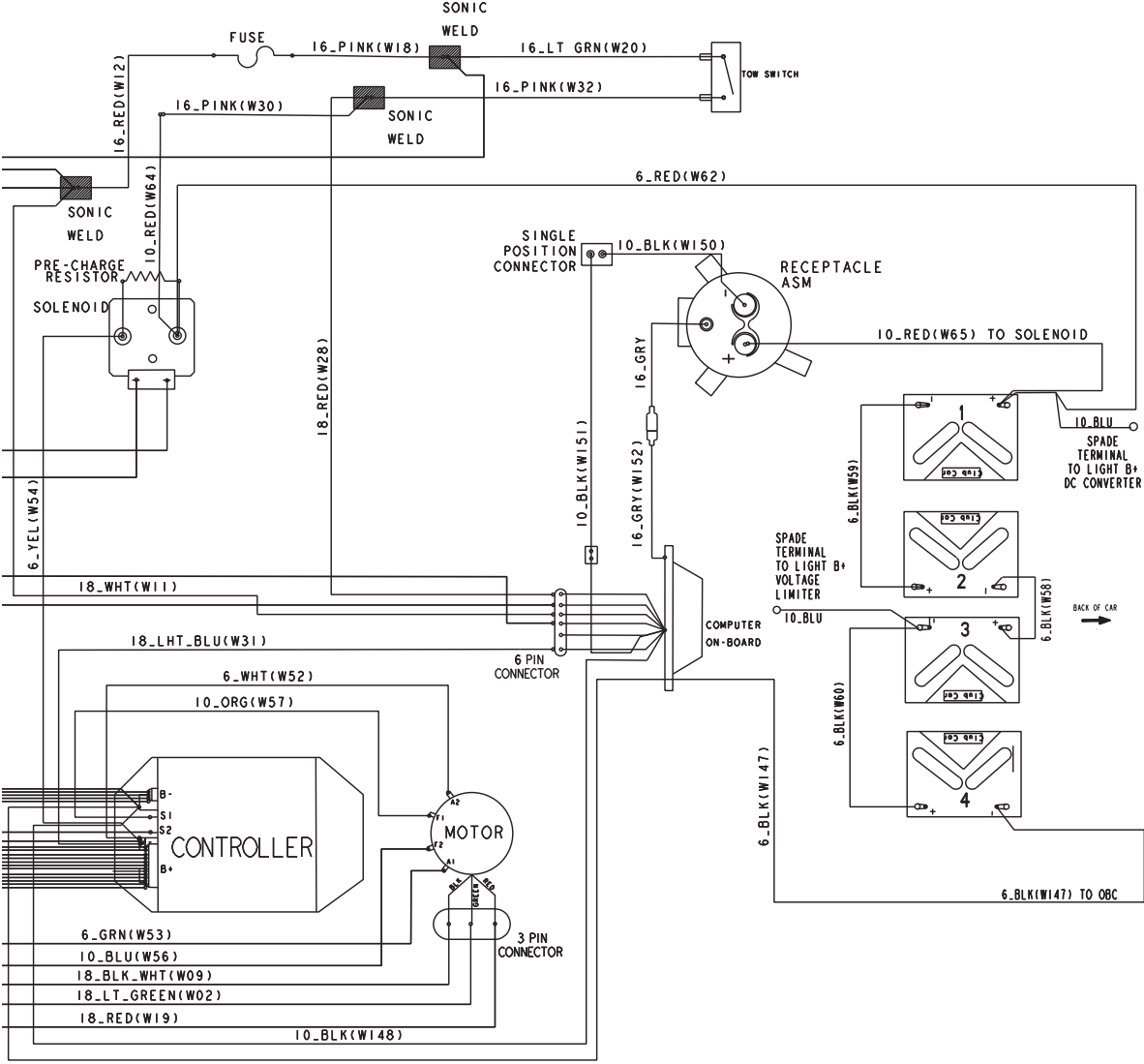
IQ SYSTEM (Gen 2 Pedal Group with Throttle Sensor)

E



000498-004

NOTE:
SOME WIRING / COMPONENTS SHOWN
ARE OPTIONAL ACCESSORIES



000498-004

13

E

See previous two pages for illustration.

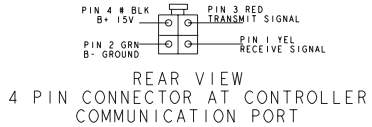
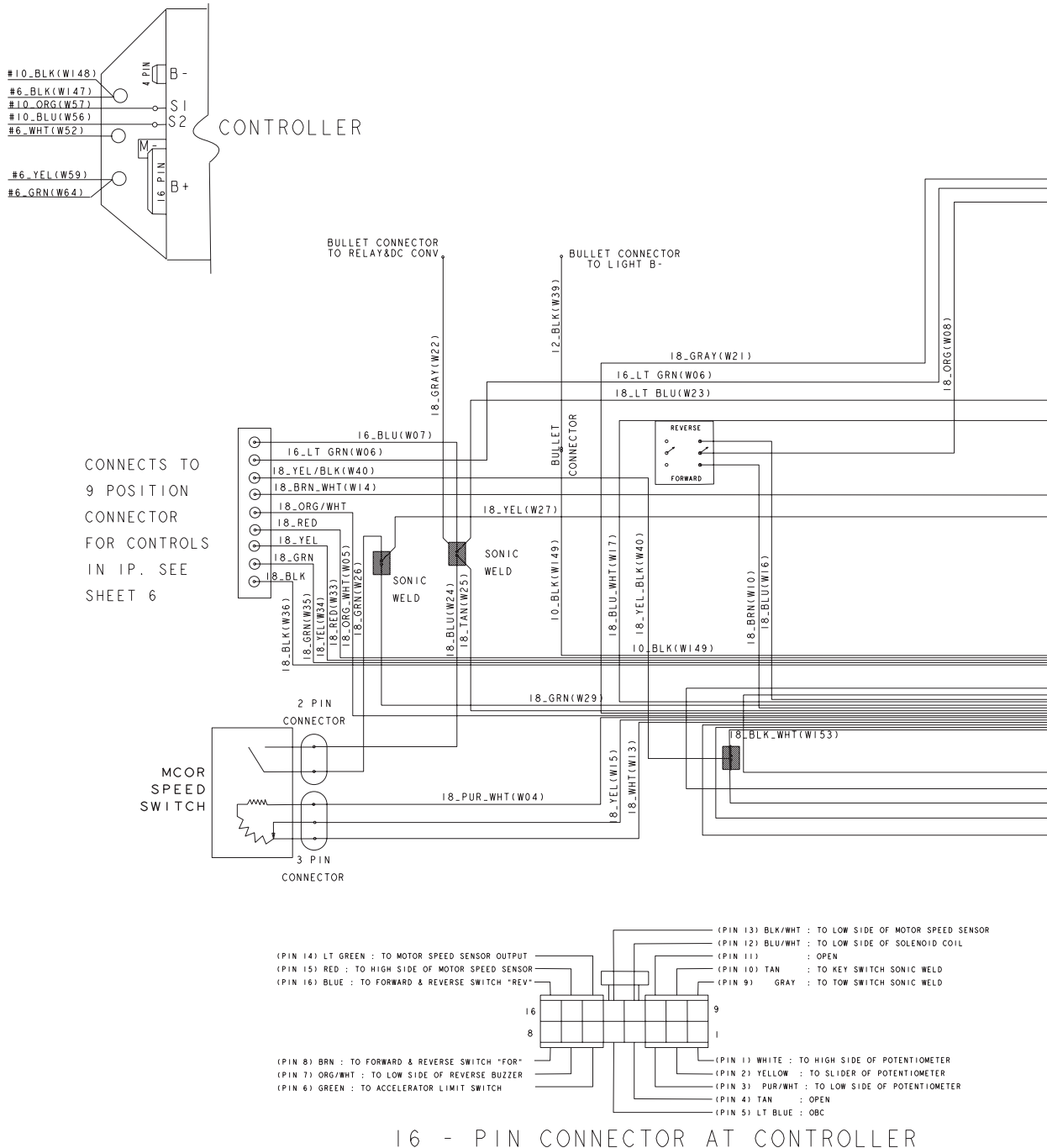
WIRING – IQ SYSTEM WITH THROTTLE SENSOR

| ITEM | PART NO. | DESCRIPTION | QTY |
|------|-----------|---|-----|
| | | 1 2 3 4 | |
| 1 | 102590001 | Prec Ce Tow-switch Diode | 1 |
| 2 | 103375701 | Asm, Harness, Motor | 1 |
| 3 | 103375702 | Asm, Harness, Motor 1/4 | 1 |
| 4 | 103421801 | Asm Harness Charger, Prec | 1 |
| 5 | 103496901 | Harness, Prec Iq, Main | 1 |
| | | <p>Note: Item 1 is used on vehicles going to the European Union. Item 2 is used with EJ4-4001 motor. Item 3 is used with EJ8-4001A motor.</p> | |

13

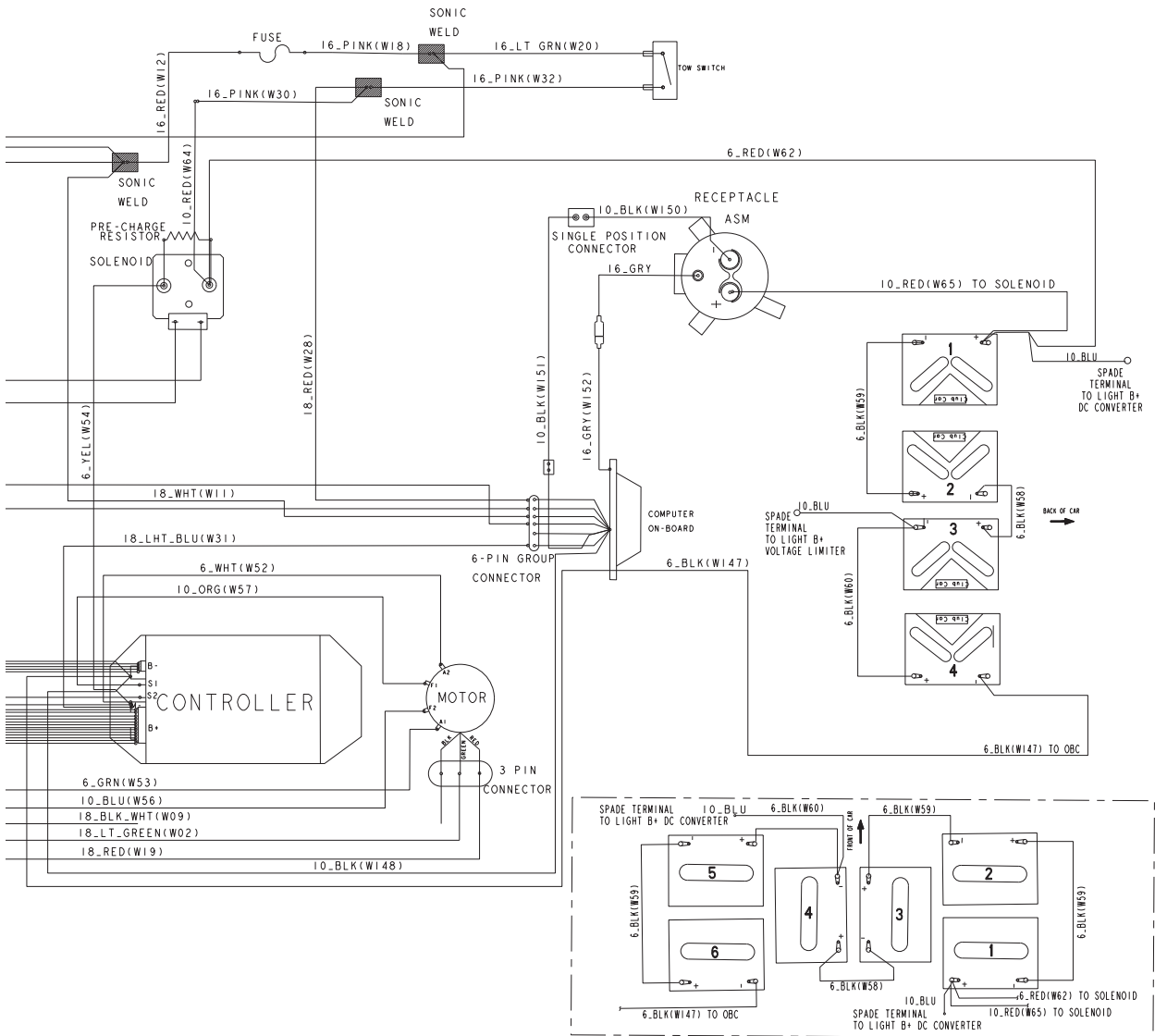
E

IQ SYSTEM (Gen 2 Pedal Group with MCOR)



000498-006

NOTE:
SOME WIRING / COMPONENTS SHOWN
ARE OPTIONAL ACCESSORIES



000498-006

13

E

See previous two pages for illustration.

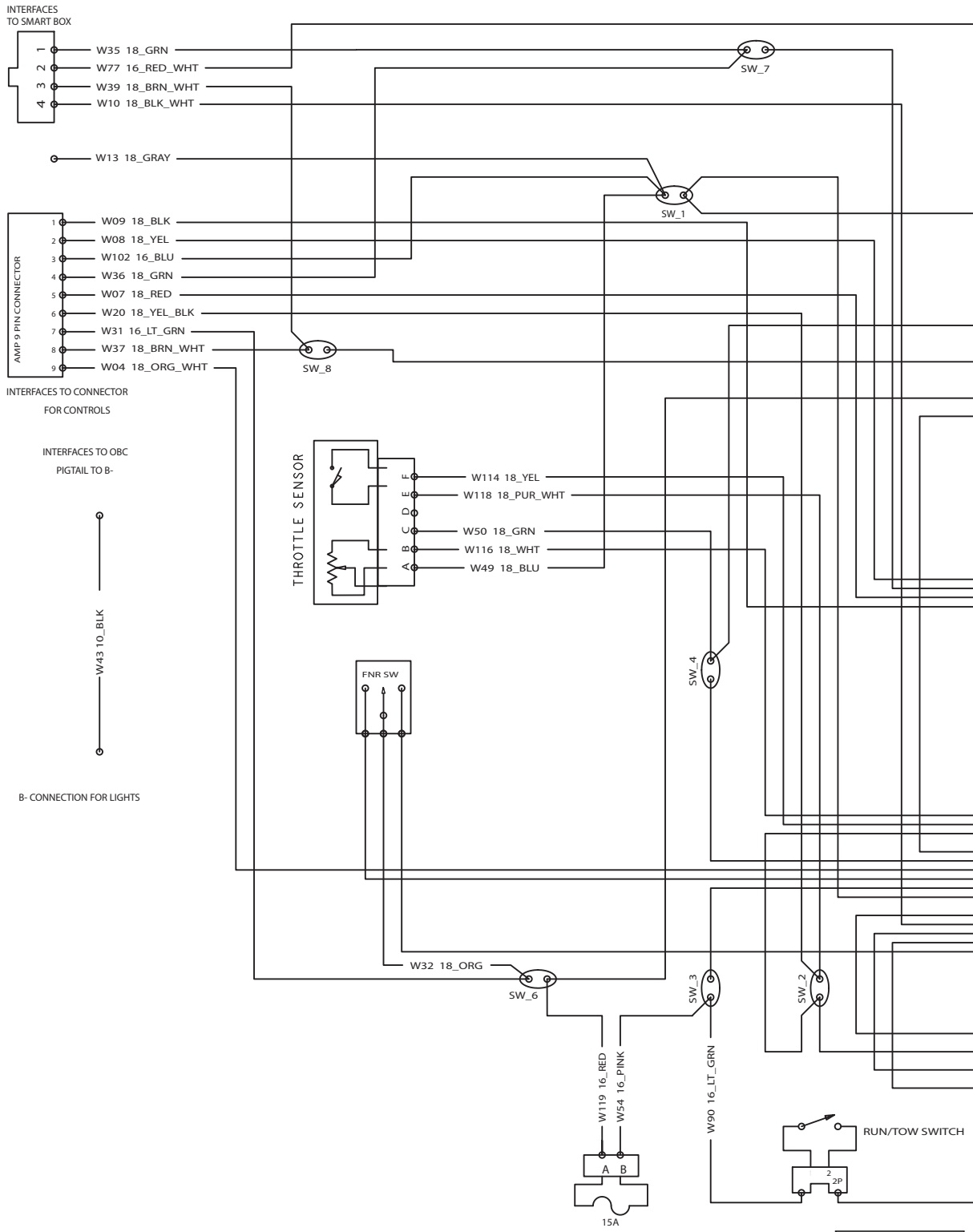
WIRING – IQ SYSTEM WITH MCOR

| ITEM | PART NO. | DESCRIPTION | QTY |
|------|-----------|---|-----|
| | | 1 2 3 4 | |
| 1 | 102590001 | Prec Ce Tow-switch Diode | 1 |
| 2 | 103374901 | Wire Harness, Prec/restyle | 1 |
| 3 | 103375701 | Asm, Harness, Motor | 1 |
| 4 | 103375702 | Asm, Harness, Motor 1/4 | 1 |
| 5 | 103421801 | Asm Harness Charger, Prec | 1 |
| | | <p>Note: Item 1 is used on vehicles going to the European Union. Item 3 is used with EJ4-4001 motor. Item 4 is used with EJ8-4001A motor.</p> | |

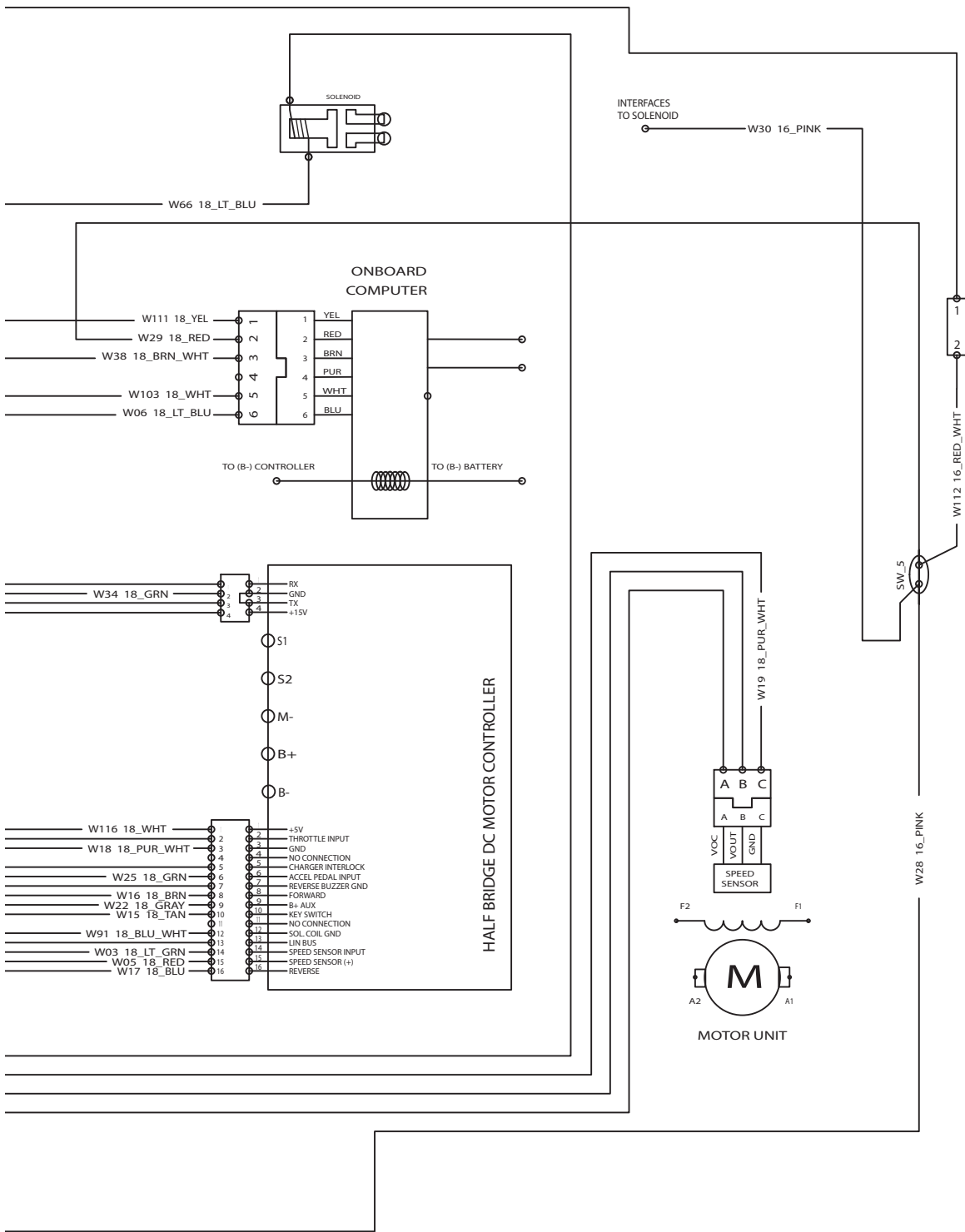
13

E

EXCEL SYSTEM (Gen 2 Pedal Group with Throttle Sensor)



000498-005



000498-005

13

E

See previous two pages for illustration.

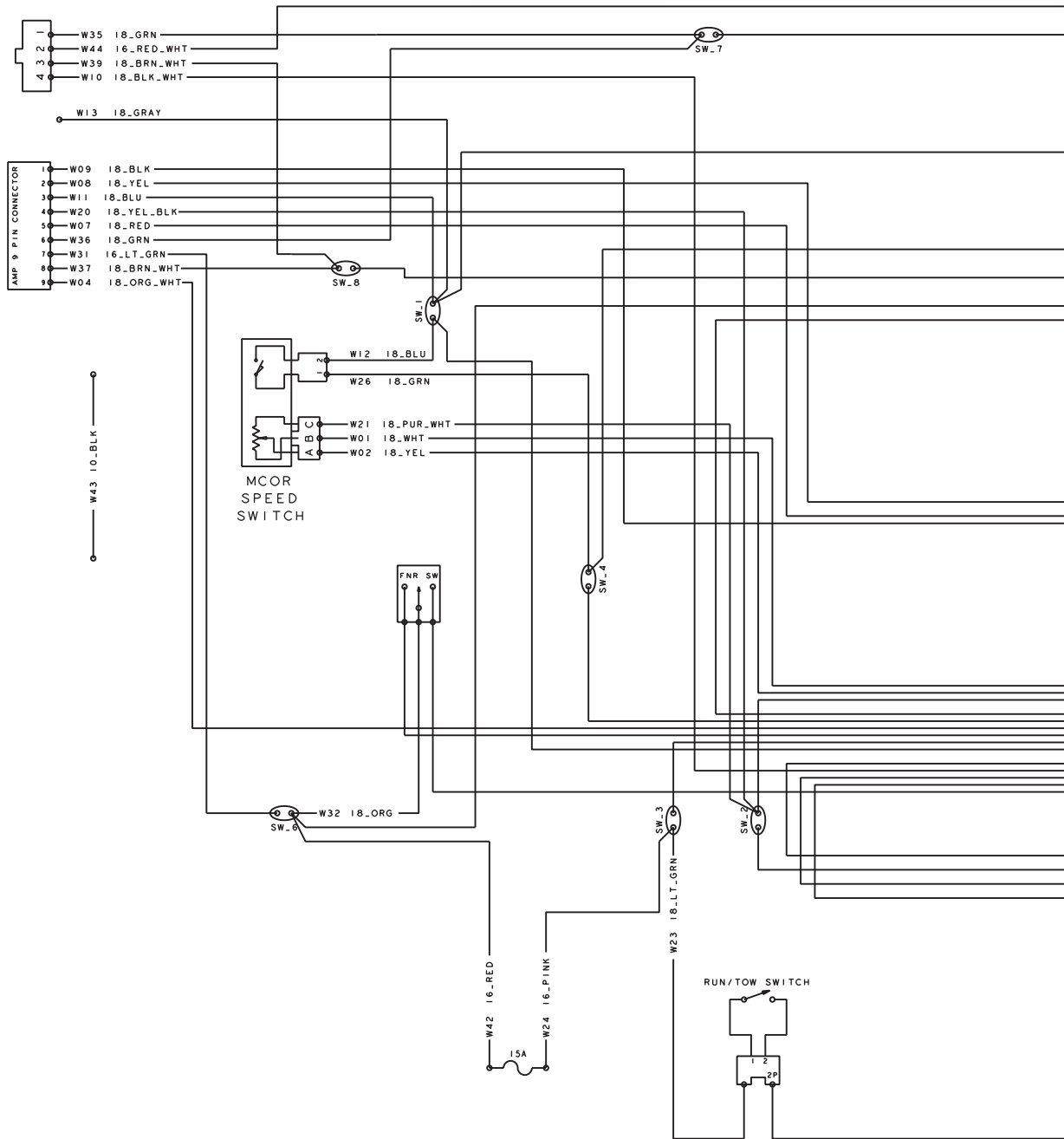
WIRING – EXCEL SYSTEM WITH THROTTLE SENSOR

| ITEM | PART NO. | DESCRIPTION | QTY |
|------|-----------|---|-----|
| | | 1 2 3 4 | |
| 1 | 103375701 | Asm, Harness, Motor | 1 |
| 2 | 103375702 | Asm, Harness, Motor 1/4 | 1 |
| 3 | 103421801 | Asm Harness Charger, Prec | 1 |
| 4 | 103514801 | Harness, Prec Excel, Main | 1 |
| | | <p>Note: Item 1 is used with EJ4-4001 motor. Item 2 is used with EJ8-4001A motor.</p> | |

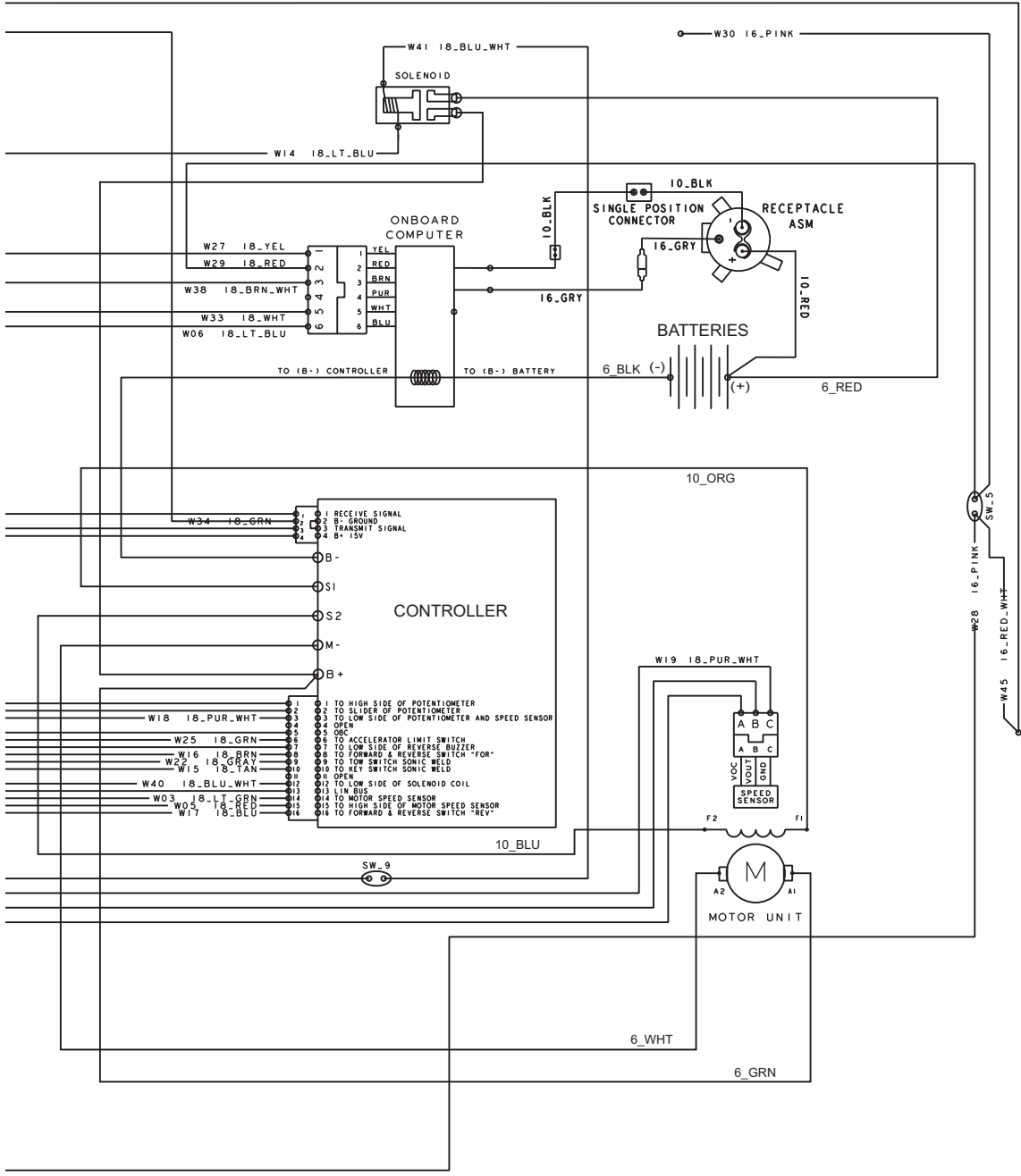
13

E

EXCEL SYSTEM (Gen 2 Pedal Group with MCOR)



000498-007



000498-007

13

E

See previous two pages for illustration.

WIRING – EXCEL SYSTEM WITH MCOR

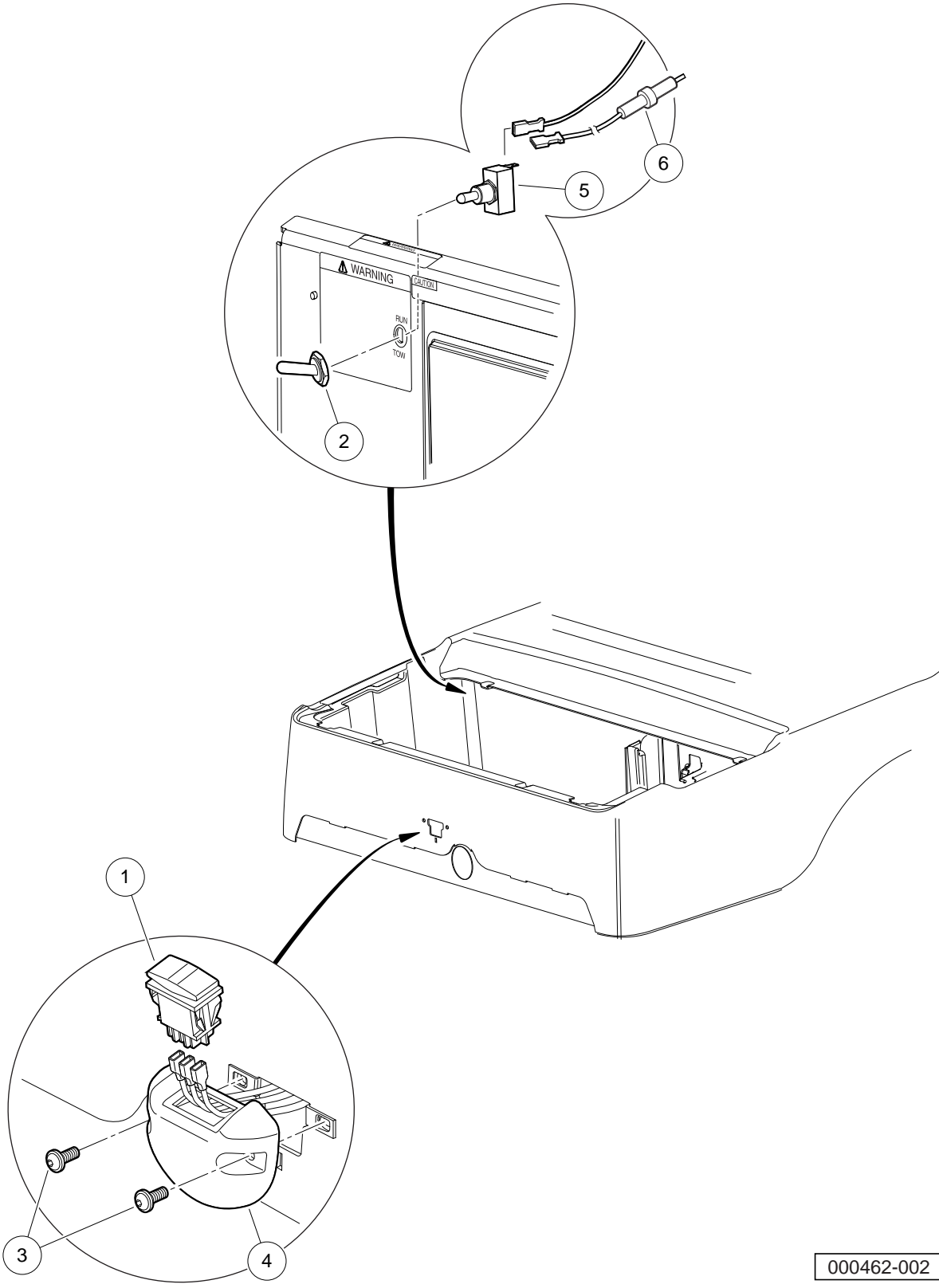
| ITEM | PART NO. | DESCRIPTION | QTY |
|---|-----------|---------------------------------|-----|
| | | 1 2 3 4 | |
| 1 | 103375701 | Asm, Harness, Motor | 1 |
| 2 | 103375702 | Asm, Harness, Motor 1/4 | 1 |
| 3 | 103403501 | Harness, Main, Excel | 1 |
| 4 | 103421801 | Asm Harness Charger, Prec | 1 |
| <p>Note: Item 1 is used with EJ4-4001 motor. Item 2 is used with EJ8-4001A motor.</p> | | | |

13

E

13

E



000462-002

FORWARD/REVERSE SWITCH AND TOW/RUN SWITCH

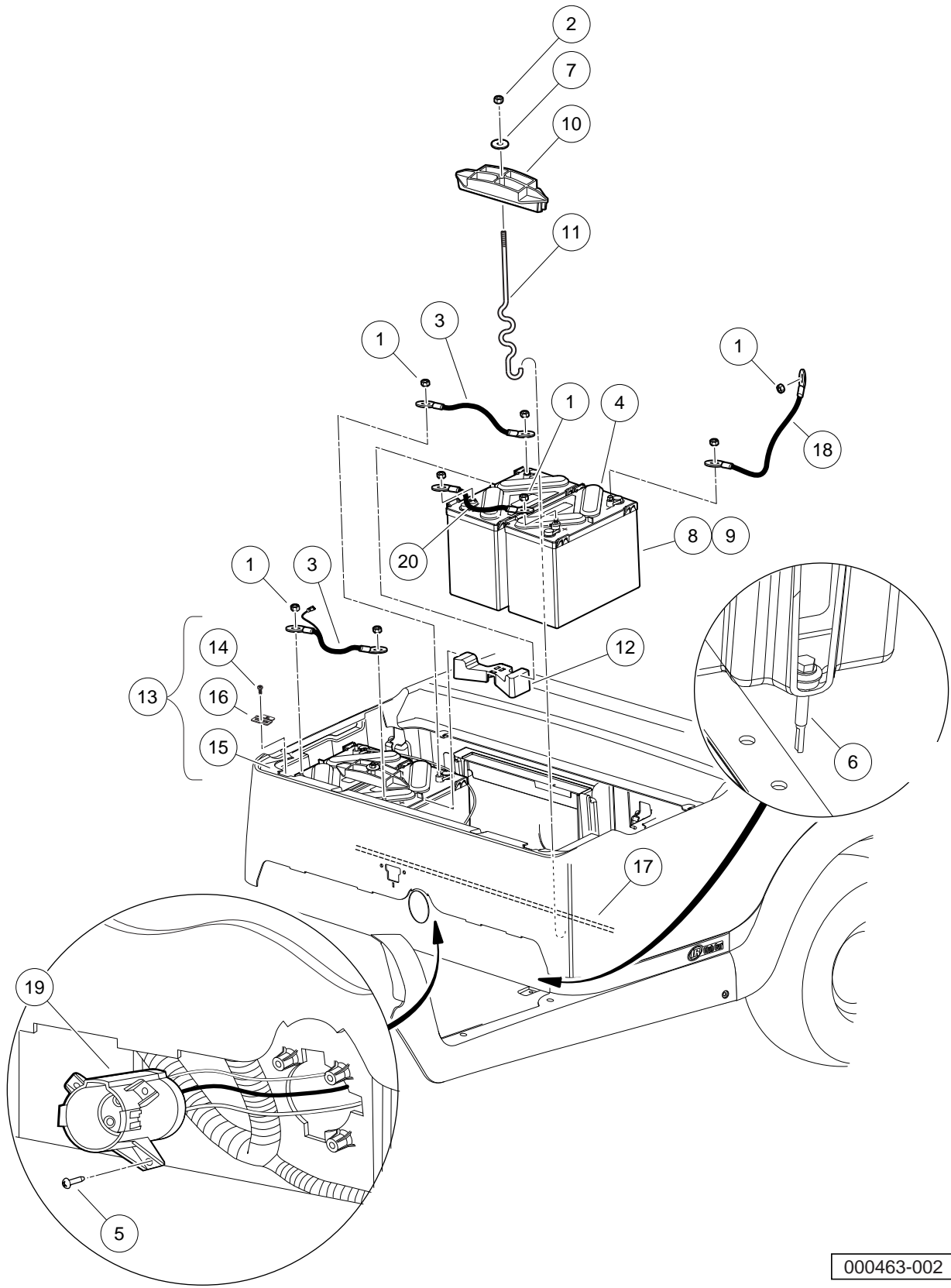
| ITEM | PART NO. | DESCRIPTION | QTY |
|------|-----------|-----------------------------------|-----|
| | | 1 2 3 4 | |
| 1 | 101856001 | Switch, Rocker, Double-Pole | 1 |
| 2 | 101908401 | Boot, Switch | 1 |
| 3 | 102296920 | Screw, M6 Torx Bttm Hd Sems | 2 |
| 4 | 102508401 | Housing, FNR Electric | 1 |
| 5 | 102511101 | Switch, Tow | 1 |
| 6 | 102538601 | 15 Amp Fuse | 1 |

13

E

13

E



000463-002

BATTERIES, BUCKET, AND CHARGER RECEPTACLE – IQ AND EXCEL SYSTEMS, 12V

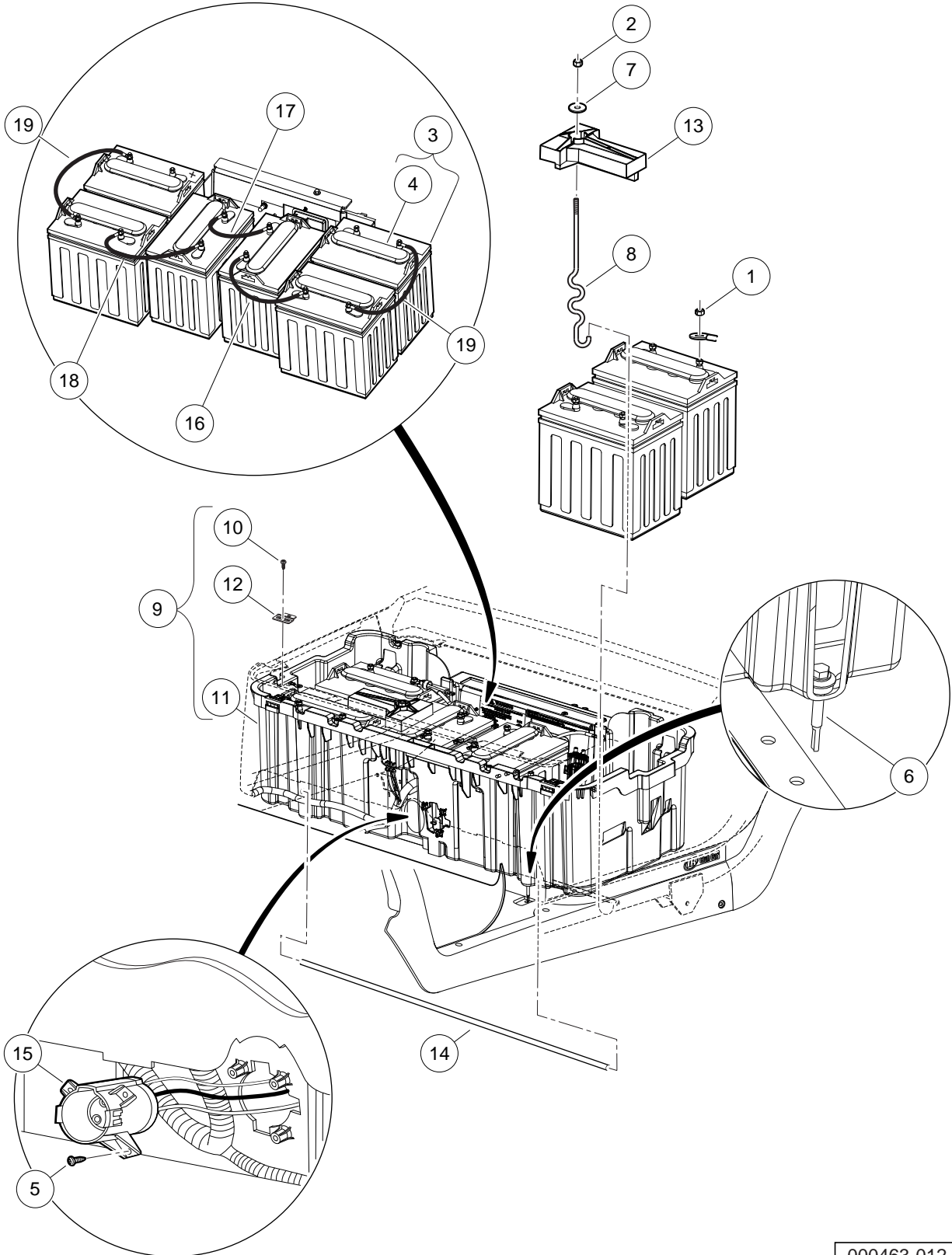
| ITEM | PART NO. | DESCRIPTION | QTY |
|------|-----------|--|-----|
| | | 1 2 3 4 | |
| 1 | 1014304 | Nut, 5/16-18 Stainless-Steel Hex | 8 |
| 2 | 1014555 | Locknut, 7/16-14 Nylon Hex | 2 |
| 3 | 101795701 | Asm, Wire, #6blk 13in | 2 |
| 4 | 101831401 | Battery Cap 6 Volt | 8 |
| 5 | 101832001 | Screw, #7-19 X 0.625 Phillips Pan-Head Tap | 3 |
| 6 | 102292356 | Screw-1/4-20x56 Hwh Self Drill | 4 |
| 7 | 102491501 | Washer Hard,m10 | 2 |
| 8 | 102511301 | Battery, Ventmaster 12-Volt (Wet) | 4 |
| 9 | 102511302 | Battery, Ventmaster 12-Volt (Dry, also known as moist) | 4 |
| 10 | 102534001 | Clamp - Battery | 2 |
| 11 | 103357701 | Bolt, Battery, "s" Hold-down | 2 |
| 12 | 103358501 | Separator, Battery, 12 Volt | 1 |
| 13 | 103368401 | Asm, Bucket, Batt, Elec, Prec (includes items 14 through 16) | 1 |
| 14 | 102298020 | Screw, K80x20, Torx Pn Hd Pt | 2 |
| 15 | N/A | Bucket, Batt, Elec, Precedent | 1 |
| 16 | 103368301 | Hinge - Nested | 2 |
| 17 | 103375301 | Tube, Cross, Battery Rod | 1 |
| 18 | 103375401 | Asm, Ev Battery Positive | 1 |
| 19 | 103375501 | Asm, Prec Restyle Receptacle | 1 |
| 20 | 103376001 | Wire Asm #6 Blk, Prec/restyle | 1 |
| | | <p>Note: Effective Jan. 12, 2009 (per Sales Bulletin 09-003), all electric Precedent vehicles began using 6 x 8-volt batteries only.</p> | |

13

E

13

E



000463-012

BATTERIES, BUCKET, AND CHARGER RECEPTACLE – IQ AND EXCEL SYSTEMS, 8V

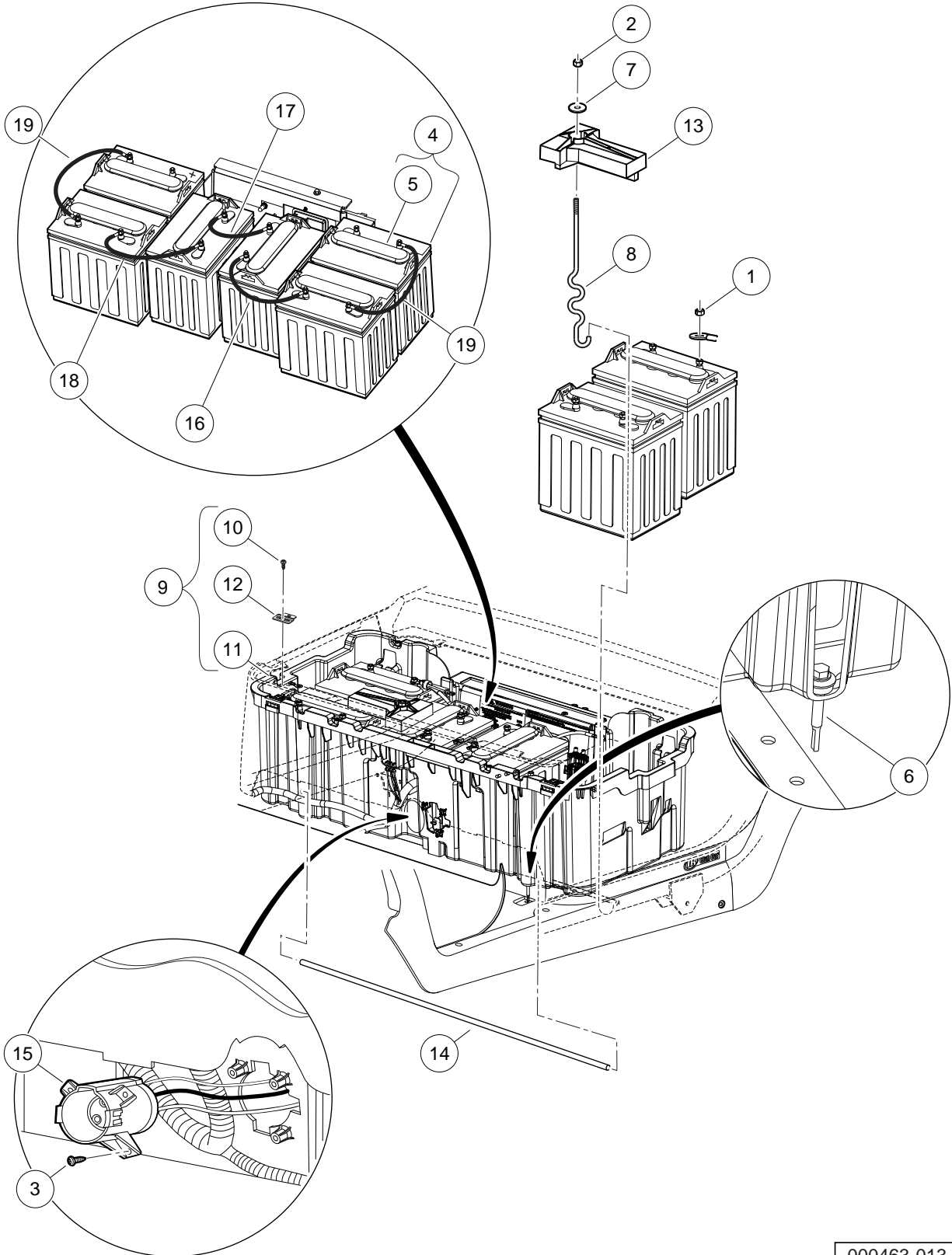
| ITEM | PART NO. | DESCRIPTION | QTY |
|------|-----------|--|-----|
| | | 1 2 3 4 | |
| 1 | 1014304 | Nut, 5/16-18 Stainless-Steel Hex | 12 |
| 2 | 1014555 | Locknut, 7/16-14 Nylon Hex | 2 |
| 3 | 101797701 | Battery, 8-Volt, T875 (includes item 4) | 6 |
| 4 | 101797801 | Cap, 4-Gang Battery | 1 |
| 5 | 101832001 | Screw, #7-19 X 0.625 Phillips Pan-Head Tap | 3 |
| 6 | 102292356 | Screw-1/4-20x56 Hwh Self Drill | 4 |
| 7 | 102491501 | Washer Hard,m10 | 2 |
| 8 | 103357701 | Bolt, Battery, "s" Hold-down | 2 |
| 9 | 103368401 | Asm, Bucket, Batt, Elec, Prec (includes items 10 through 12) | 1 |
| 10 | 102298020 | Screw, K80x20, Torx Pn Hd Pt | 2 |
| 11 | N/A | Bucket, Batt, Elec, Precedent | 1 |
| 12 | 103368301 | Hinge - Nested | 2 |
| 13 | 103374801 | Hold Down, Battery | 2 |
| 14 | 103375301 | Tube, Cross, Battery Rod | 1 |
| 15 | 103375501 | Asm, Prec Restyle Receptacle | 1 |
| 16 | 103376001 | Wire Asm #6 Blk, Prec/restyle | 1 |
| 17 | 103647401 | Wire Asm #6 Blk, 5" | 1 |
| 18 | 103647402 | Wire Asm #6 Blk, 12" | 1 |
| 19 | 103647403 | Wire Asm #6 Blk, 17" | 2 |
| 20 | 8639 | Tie Wrap, 11" Nylon | 2 |
| | | Note: Item 20 not shown. | |

13

E

13

E



000463-013

BATTERIES, BUCKET, AND CHARGER RECEPTACLE – IQ AND EXCEL SYSTEMS, HEAVY DUTY 8V

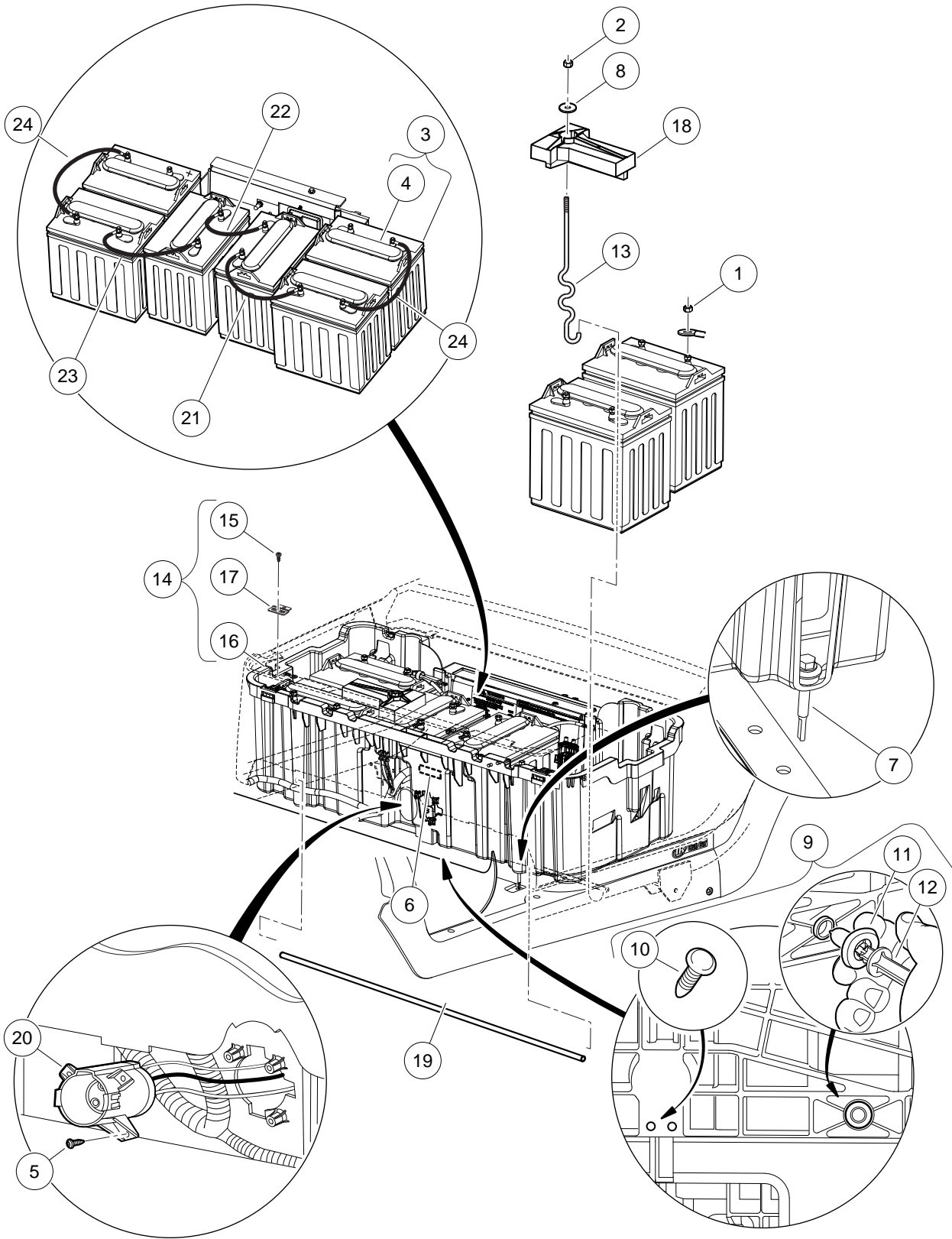
| ITEM | PART NO. | DESCRIPTION | QTY |
|------|-----------|--|-----|
| | | 1 2 3 4 | |
| 1 | 1014304 | Nut, 5/16-18 Stainless-Steel Hex | 12 |
| 2 | 1014555 | Locknut, 7/16-14 Nylon Hex | 2 |
| 3 | 101832001 | Screw, #7-19 X 0.625 Phillips Pan-Head Tap | 3 |
| 4 | 101964201 | Battery, 8v Trojan T890 (Wet) (includes item 5) | 6 |
| 5 | 101797801 | Cap, 4-Gang Battery | 1 |
| 6 | 102292356 | Screw-1/4-20x56 Hwh Self Drill | 4 |
| 7 | 102491501 | Washer Hard,m10 | 2 |
| 8 | 103357701 | Bolt, Battery, "s" Hold-down | 2 |
| 9 | 103368401 | Asm, Bucket, Batt, Elec, Prec (includes items 10 through 12) | 1 |
| 10 | 102298020 | Screw, K80x20, Torx Pn Hd Pt | 2 |
| 11 | N/A | Bucket, Batt, Elec, Precedent | 1 |
| 12 | 103368301 | Hinge - Nested | 2 |
| 13 | 103374801 | Hold Down, Battery | 2 |
| 14 | 103375301 | Tube, Cross, Battery Rod | 1 |
| 15 | 103375501 | Asm, Prec Restyle Receptacle | 1 |
| 16 | 103376001 | Wire Asm #6 Blk, Prec/restyle | 1 |
| 17 | 103647401 | Wire Asm #6 Blk, 5" | 1 |
| 18 | 103647402 | Wire Asm #6 Blk, 12" | 1 |
| 19 | 103647403 | Wire Asm #6 Blk, 17" | 2 |
| 20 | 8639 | Tie Wrap, 11" Nylon | 2 |
| | | Note: Item 20 not shown. | |

13

E

13

E



000463-014

BATTERIES, BUCKET, AND CHARGER RECEPTACLE – IQ AND EXCEL SYSTEMS, CE, 8V

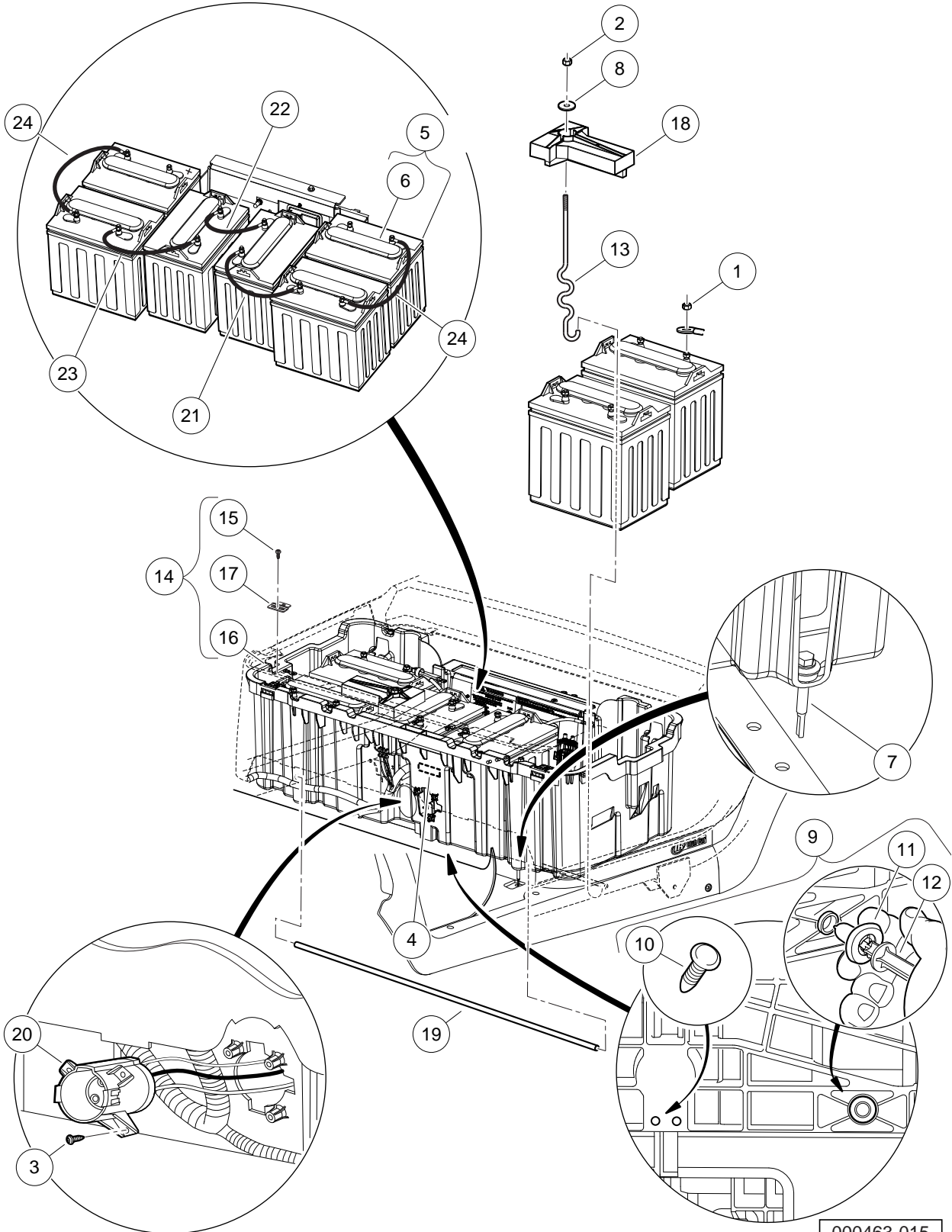
13

E

| ITEM | PART NO. | DESCRIPTION | QTY |
|---|-----------|--|-----|
| | | 1 2 3 4 | |
| 1 | 1014304 | Nut, 5/16-18 Stainless-Steel Hex | 12 |
| 2 | 1014555 | Locknut, 7/16-14 Nylon Hex | 2 |
| 3 | 101797701 | Battery, 8-Volt, T875 (includes item 4) | 6 |
| 4 | 101797801 | Cap, 4-Gang Battery | 1 |
| 5 | 101832001 | Screw, #7-19 X 0.625 Phillips Pan-Head Tap | 3 |
| 6 | 101865805 | Ce - Decal | 1 |
| 7 | 102292356 | Screw-1/4-20x56 Hwh Self Drill | 4 |
| 8 | 102491501 | Washer Hard,m10 | 2 |
| 9 | 102571202 | Kit Ce Plug - Bucket Elec (includes items 10 through 12) | 1 |
| 10 | 1010434 | Barrel - Plastic | 2 |
| 11 | N/A | Plug, 1/2", CE Bucket | 6 |
| 12 | N/A | Install Tool, CE Bucket Plug | 1 |
| 13 | 103357701 | Bolt, Battery, "s" Hold-down | 2 |
| 14 | 103368401 | Asm, Bucket, Batt, Elec, Prec (includes items 15 through 17) | 1 |
| 15 | 102298020 | Screw, K80x20, Torx Pn Hd Pt | 2 |
| 16 | N/A | Bucket, Batt, Elec, Precedent | 1 |
| 17 | 103368301 | Hinge - Nested | 2 |
| 18 | 103374801 | Hold Down, Battery | 2 |
| 19 | 103375301 | Tube, Cross, Battery Rod | 1 |
| 20 | 103375501 | Asm, Prec Restyle Receptacle | 1 |
| 21 | 103376001 | Wire Asm #6 Blk, Prec/restyle | 1 |
| 22 | 103647401 | Wire Asm #6 Blk, 5" | 1 |
| 23 | 103647402 | Wire Asm #6 Blk, 12" | 1 |
| 24 | 103647403 | Wire Asm #6 Blk, 17" | 2 |
| 25 | 8639 | Tie Wrap, 11" Nylon | 2 |
| <p>Note: Item 25 not shown. The CE-specific parts shown are required for vehicles sold in the European Union.</p> | | | |

13

E



000463-015

BATTERIES, BUCKET, AND CHARGER RECEPTACLE – IQ AND EXCEL SYSTEMS, HEAVY DUTY 8V, CE

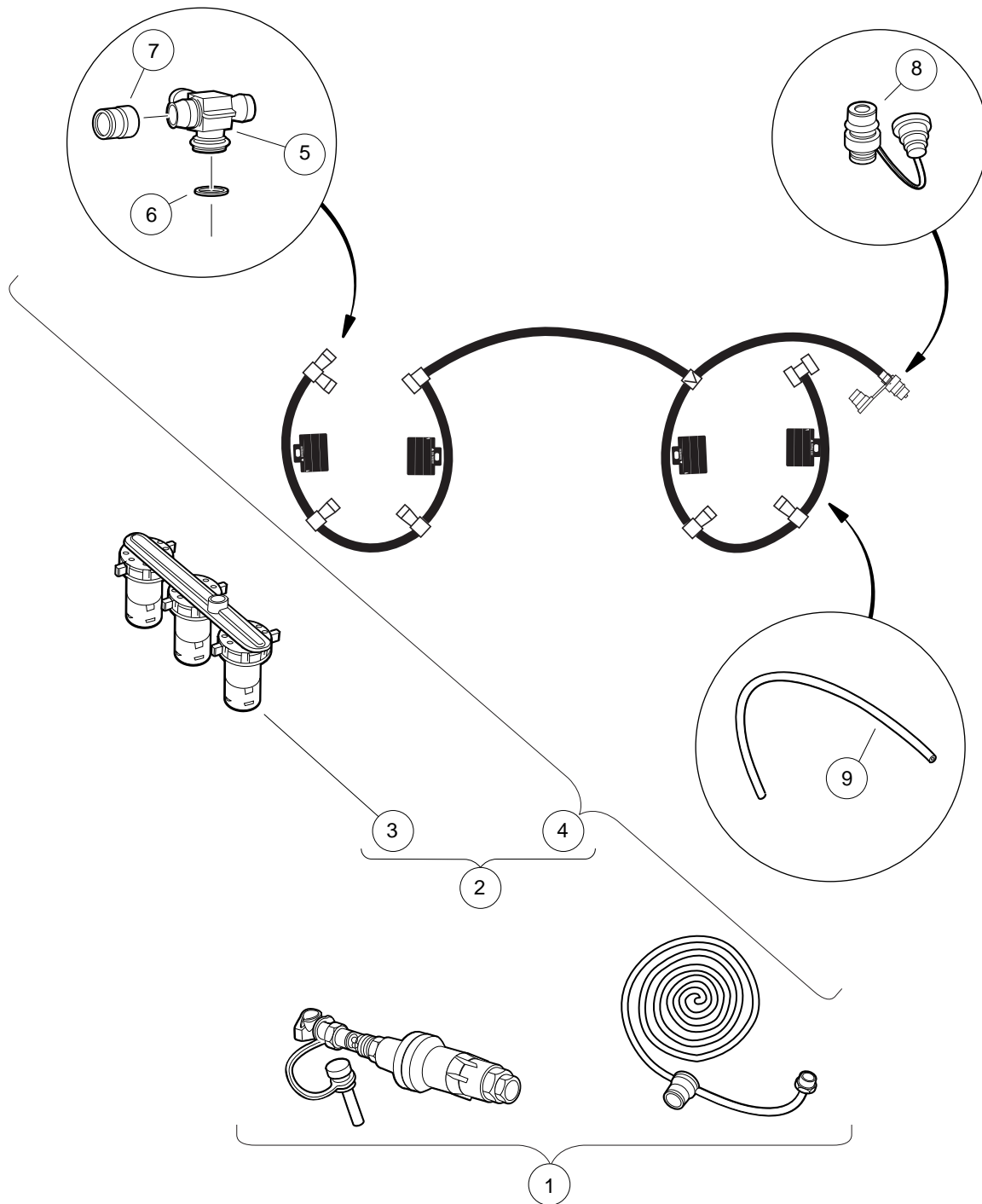
| ITEM | PART NO. | DESCRIPTION | QTY |
|---|-----------|--|-----|
| | | 1 2 3 4 | |
| 1 | 1014304 | Nut, 5/16-18 Stainless-Steel Hex | 12 |
| 2 | 1014555 | Locknut, 7/16-14 Nylon Hex | 2 |
| 3 | 101832001 | Screw, #7-19 X 0.625 Phillips Pan-Head Tap | 3 |
| 4 | 101865805 | Ce - Decal | 1 |
| 5 | 101964201 | Battery, 8v Trojan T890 (Wet) (includes item 6) | 6 |
| 6 | 101797801 | Cap, 4-Gang Battery | 1 |
| 7 | 102292356 | Screw-1/4-20x56 Hwh Self Drill | 4 |
| 8 | 102491501 | Washer Hard,m10 | 2 |
| 9 | 102571202 | Kit Ce Plug - Bucket Elec (includes items 10 through 12) | 1 |
| 10 | 1010434 | Barrel - Plastic | 2 |
| 11 | N/A | Plug, 1/2", CE Bucket | 6 |
| 12 | N/A | Install Tool, CE Bucket Plug | 1 |
| 13 | 103357701 | Bolt, Battery, "s" Hold-down | 2 |
| 14 | 103368401 | Asm, Bucket, Batt, Elec, Prec (includes items 15 through 17) | 1 |
| 15 | 102298020 | Screw, K80x20, Torx Pn Hd Pt | 2 |
| 16 | N/A | Bucket, Batt, Elec, Precedent | 1 |
| 17 | 103368301 | Hinge - Nested | 2 |
| 18 | 103374801 | Hold Down, Battery | 2 |
| 19 | 103375301 | Tube, Cross, Battery Rod | 1 |
| 20 | 103375501 | Asm, Prec Restyle Receptacle | 1 |
| 21 | 103376001 | Wire Asm #6 Blk, Prec/restyle | 1 |
| 22 | 103647401 | Wire Asm #6 Blk, 5" | 1 |
| 23 | 103647402 | Wire Asm #6 Blk, 12" | 1 |
| 24 | 103647403 | Wire Asm #6 Blk, 17" | 2 |
| 25 | 8639 | Tie Wrap, 11" Nylon | 2 |
| <p style="text-align: center;">Note: Item 25 not shown. The CE-specific parts shown are required for vehicles sold in the European Union.</p> | | | |

13

E

13

E



000731-005

SINGLE POINT WATERING SYSTEM, 12V

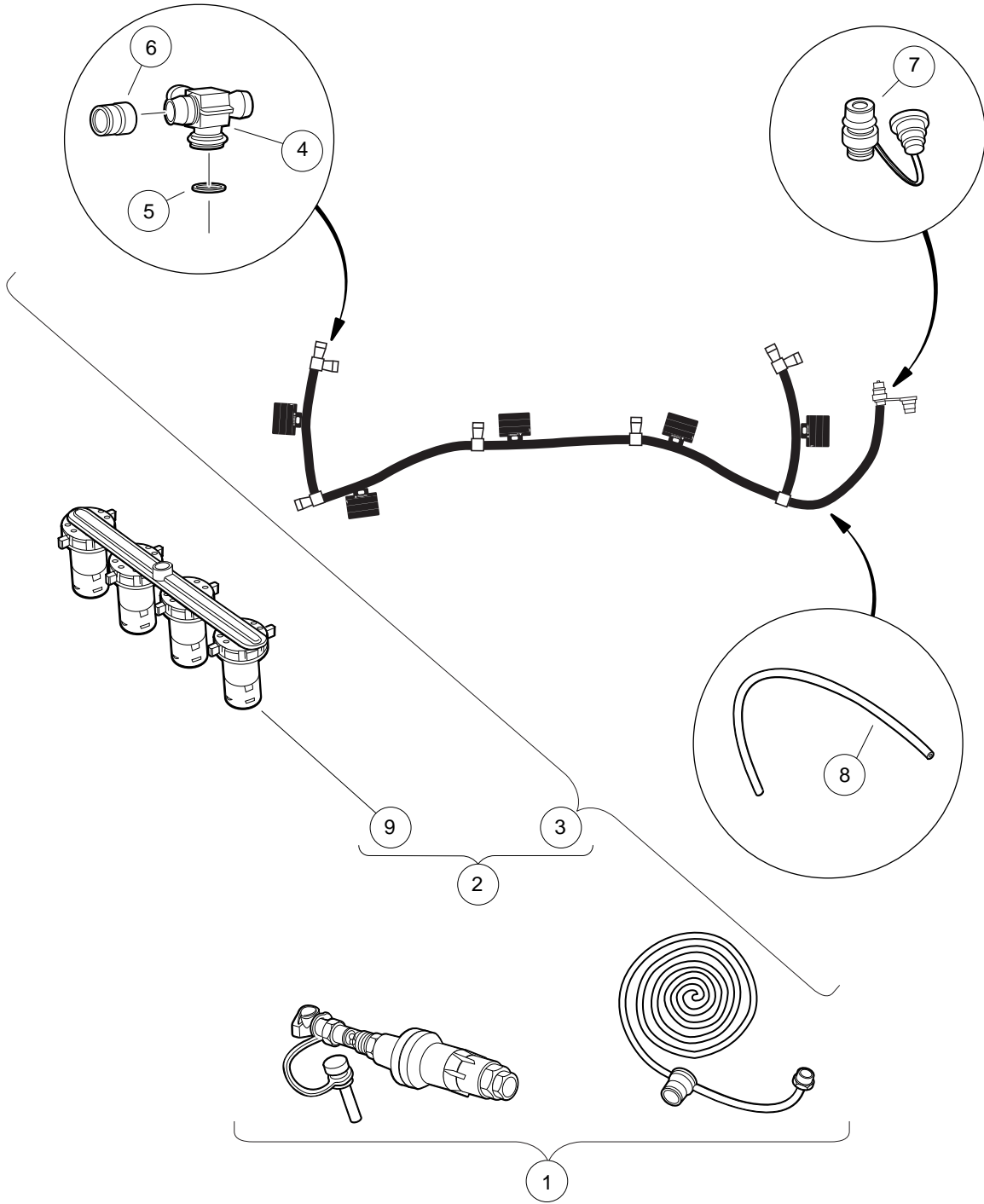
| ITEM | PART NO. | DESCRIPTION | QTY |
|---|-----------|--|-----|
| | | 1 2 3 4 | |
| 1 | 102958001 | Kit Regulated Hose Sply Spws | 1 |
| 2 | 103395503 | Kit, Spws F/r, Prec/res, 12v (includes items 3 and 4) | 1 |
| 3 | 102956401 | Manifold, SPWS (Single-Point Watering System) | 8 |
| 4 | 103395402 | Asm Tube Spws Prec/res, 12v (includes items 5 through 9) | 1 |
| 5 | 103226201 | Fitting Spws Swivel T | 8 |
| 6 | 103226301 | O-ring Spws Swivel T | 8 |
| 7 | 103226401 | Cap Spws Swivel T Red | 9 |
| 8 | 103226601 | Coupler Male Spws Supply | 1 |
| 9 | 103226701 | Tubing Spws | 1 |
| <p>Note: For 4x12-Volt battery configuration.</p> | | | |

13

E

13

E



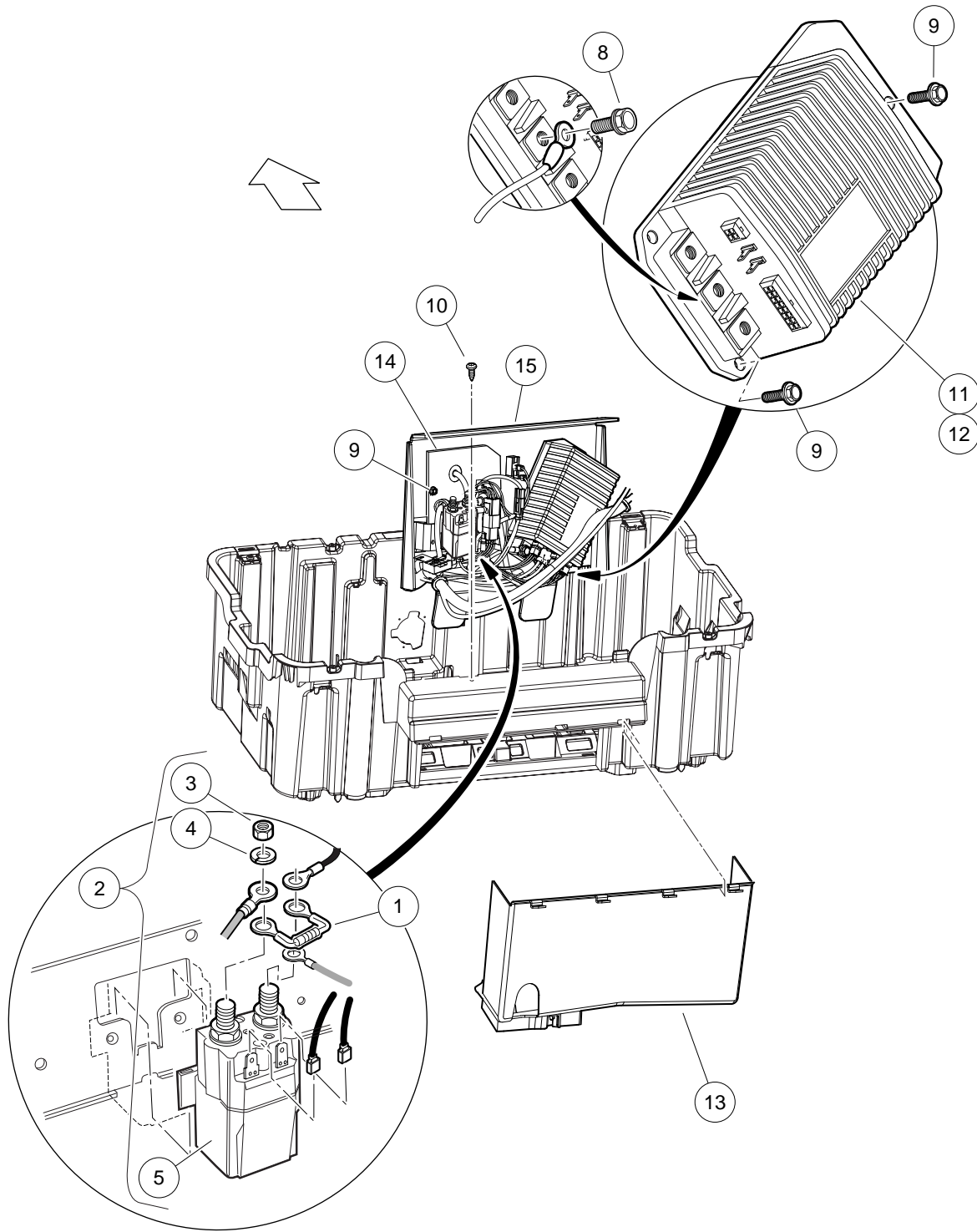
000731-006

SINGLE POINT WATERING SYSTEM, 8V

| ITEM | PART NO. | DESCRIPTION | QTY |
|------|-----------|--|-----|
| | | 1 2 3 4 | |
| 1 | 102958001 | Kit Regulated Hose Sply Spws | 1 |
| 2 | 103395501 | Kit, Spws F/r, Prec/res, 8v (includes items 3 through 9) | 1 |
| 3 | 103395401 | Asm Tube Spws Prec/res, 8v (includes items 4 through 8) | 1 |
| 4 | 103226201 | Fitting Spws Swivel T | 6 |
| 5 | 103226301 | O-ring Spws Swivel T | 6 |
| 6 | 103226401 | Cap Spws Swivel T Red | 7 |
| 7 | 103226601 | Coupler Male Spws Supply | 1 |
| 8 | 103226701 | Tubing Spws | 1 |
| 9 | 103395701 | Manifold, 4 Valve Spw | 6 |
| | | Note: For 6x8-Volt battery configuration. | |

13

E



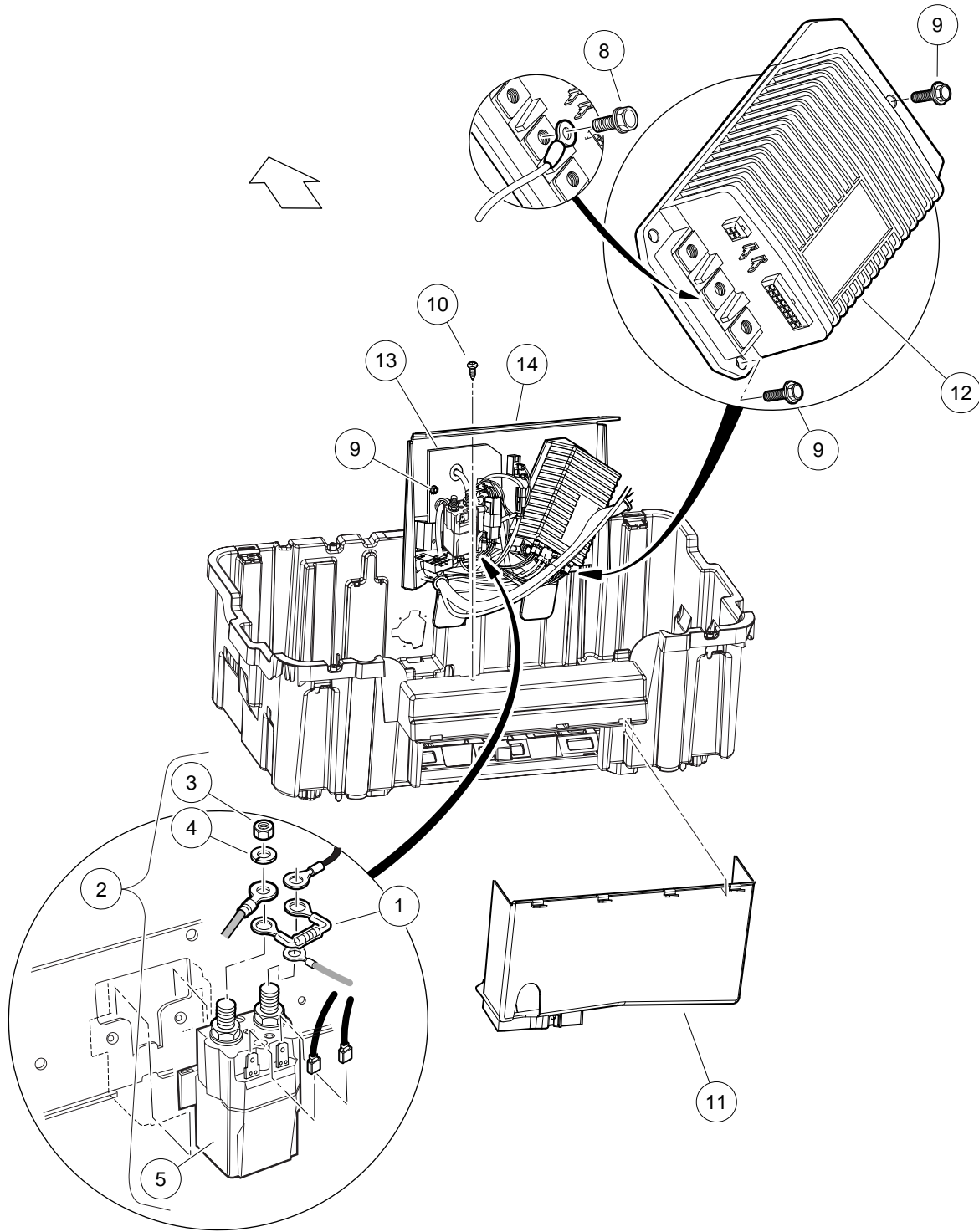
000486-006

COMPUTER, CONTROLLER, AND SOLENOID – IQ SYSTEM

| ITEM | PART NO. | DESCRIPTION | QTY |
|--|-----------|--|-----|
| | | 1 2 3 4 | |
| 1 | 1014947 | Resistor Assembly | 1 |
| 2 | 101908701 | Solenoid, 48-Volt (includes items 3 through 7) | 1 |
| 3 | 1012528 | Nut, M8-1.25 Hex | 2 |
| 4 | 1013734 | Lockwasher, 8mm Split | 2 |
| 5 | N/A | Solenoid, 48-Volt | 1 |
| 6 | N/A | Washer, Lock | 2 |
| 7 | N/A | Nut | 2 |
| 8 | 102240501 | Bolt, Controller, Terminal | 3 |
| 9 | 102296716 | Screw, M6 X 16 Tt Hx Fl Hd | 11 |
| 10 | 102298020 | Screw, K80x20, Torx Pn Hd Pt | 1 |
| 11 | 102806201 | Controller, IQ, 48-volt | 1 |
| 12 | 102806203 | Controller, 48v Iq Golf, Ce | 1 |
| 13 | 103367901 | Shield - Controller | 1 |
| 14 | 103403201 | Precedent V3.0 Obc | 1 |
| 15 | 103639401 | Component Mounting Plate, Cast | 1 |
| <p>Note: Item 12 is for vehicles sold in the European Union. Item 15 debut on June 23, 2009 with S/N 0947-069718 and replaced stamped aluminum plate 103369401. Item 15 has a built-in watershed feature and retrofits all vehicles with 103368401 battery bucket.</p> | | | |

13

E



000486-007

COMPUTER, CONTROLLER, AND SOLENOID – EXCEL SYSTEM

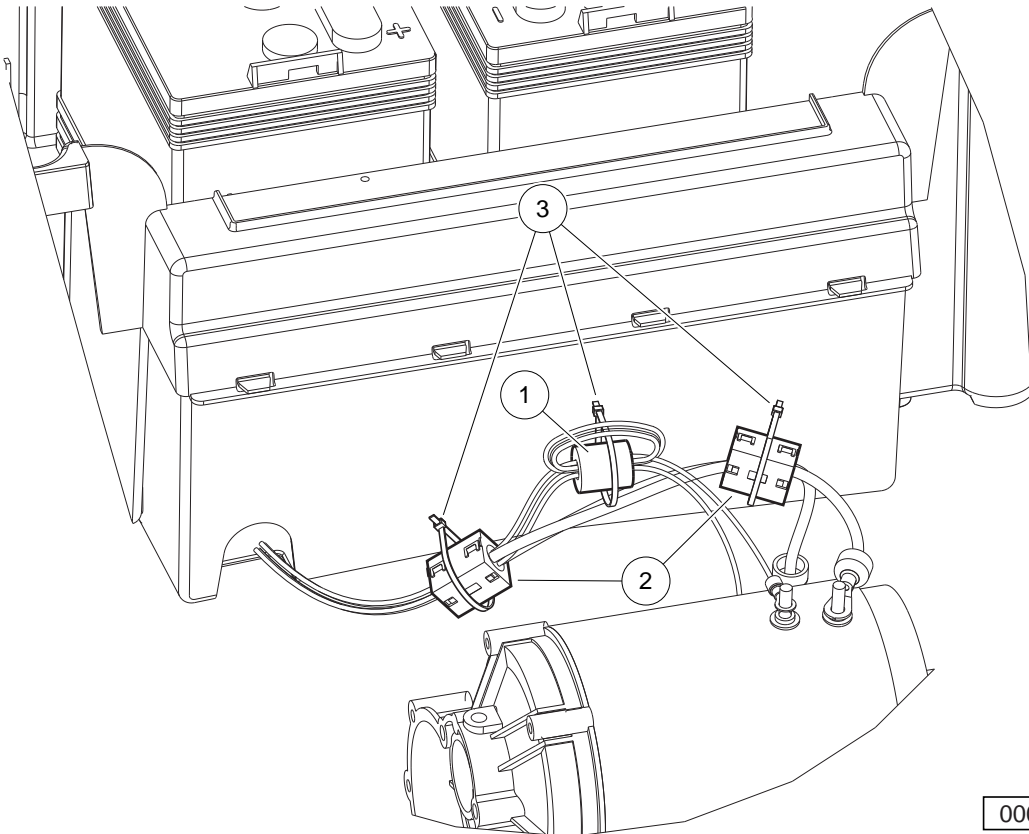
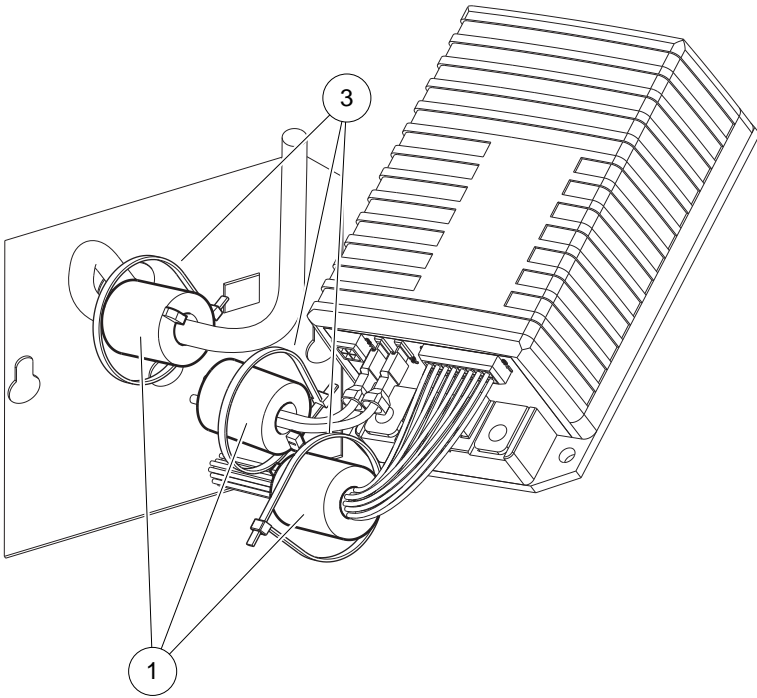
| ITEM | PART NO. | DESCRIPTION | QTY |
|--|-----------|--|-----|
| | | 1 2 3 4 | |
| 1 | 1014947 | Resistor Assembly | 1 |
| 2 | 101908701 | Solenoid, 48-Volt (includes items 3 through 7) | 1 |
| 3 | 1012528 | Nut, M8-1.25 Hex | 2 |
| 4 | 1013734 | Lockwasher, 8mm Split | 2 |
| 5 | N/A | Solenoid, 48-Volt | 1 |
| 6 | N/A | Washer, Lock | 2 |
| 7 | N/A | Nut | 2 |
| 8 | 102240501 | Bolt, Controller, Terminal | 3 |
| 9 | 102296716 | Screw, M6 X 16 Tt Hx Fl Hd | 11 |
| 10 | 102298020 | Screw, K80x20, Torx Pn Hd Pt | 1 |
| 11 | 103367901 | Shield - Controller | 1 |
| 12 | 103403402 | Controller, 1515 Non-std | 1 |
| 13 | 103446601 | Obc, Prec, V4.0 | 1 |
| 14 | 103639401 | Component Mounting Plate, Cast | 1 |
| <p>Note: Item 14 debut on June 23, 2009 with S/N 0947-069718 and replaced stamped aluminum plate 103369401. Item 14 has a built-in watershed feature and retrofits all vehicles with 103368401 battery bucket.</p> | | | |

13

E

13

E



000970-001

CE FERRITE BEADS (IQ SYSTEM)

| ITEM | PART NO. | DESCRIPTION | QTY |
|--|-----------|--------------------------------|-----|
| | | 1 2 3 4 | |
| 1 | 103449501 | Bead, Ferrite, Tdk | 4 |
| 2 | 103449601 | Bead, Ferrite, Fair-rite | 2 |
| 3 | 8990 | Tie Wrap, 8" Nylon | 8 |
| <p style="margin-left: 40px;">Note: The Excel System is CE compliant in the European Union without the use of ferrite beads.</p> | | | |

13

E

13

E

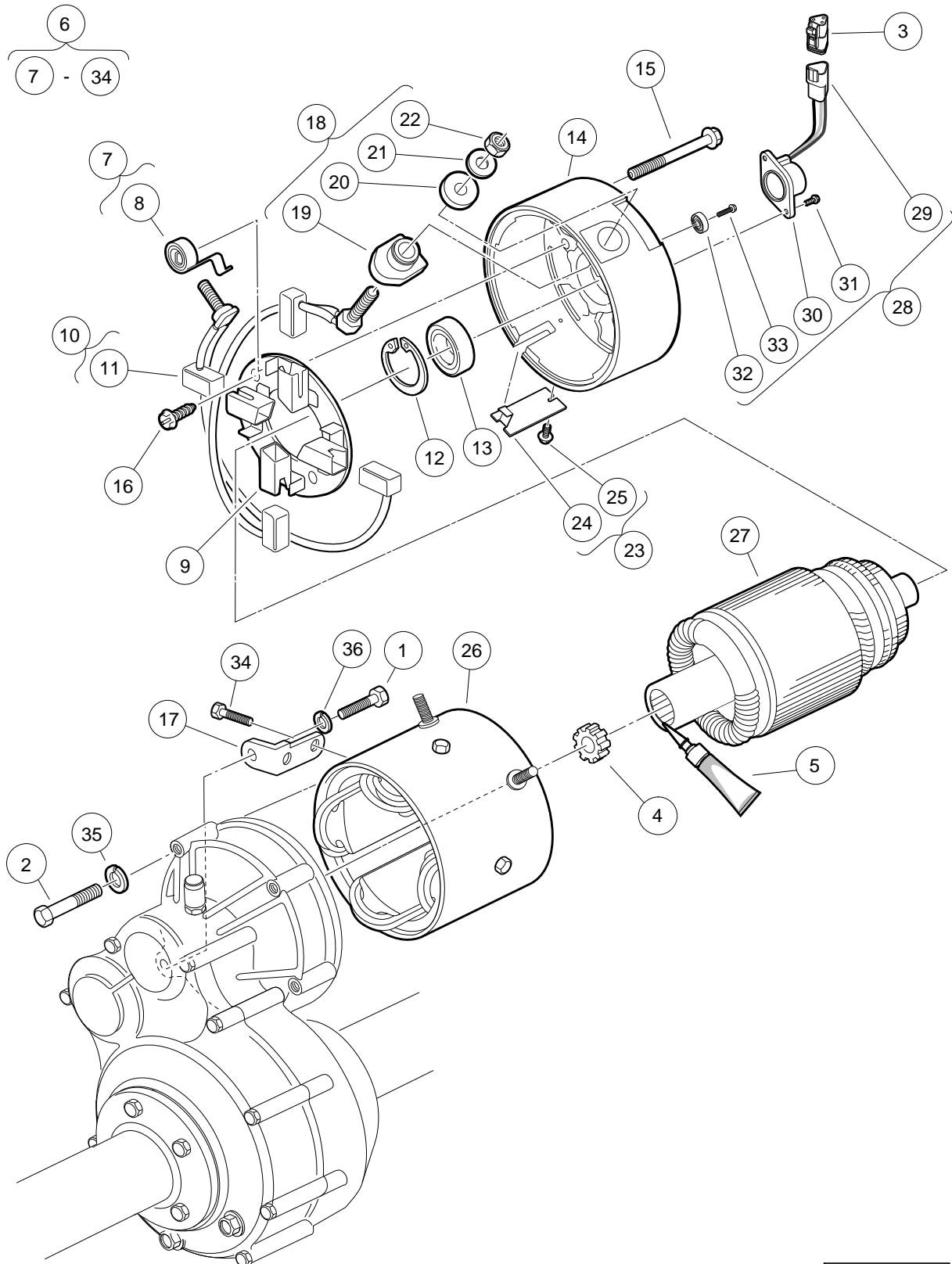
ELECTRIC MOTOR

14

E

14

E



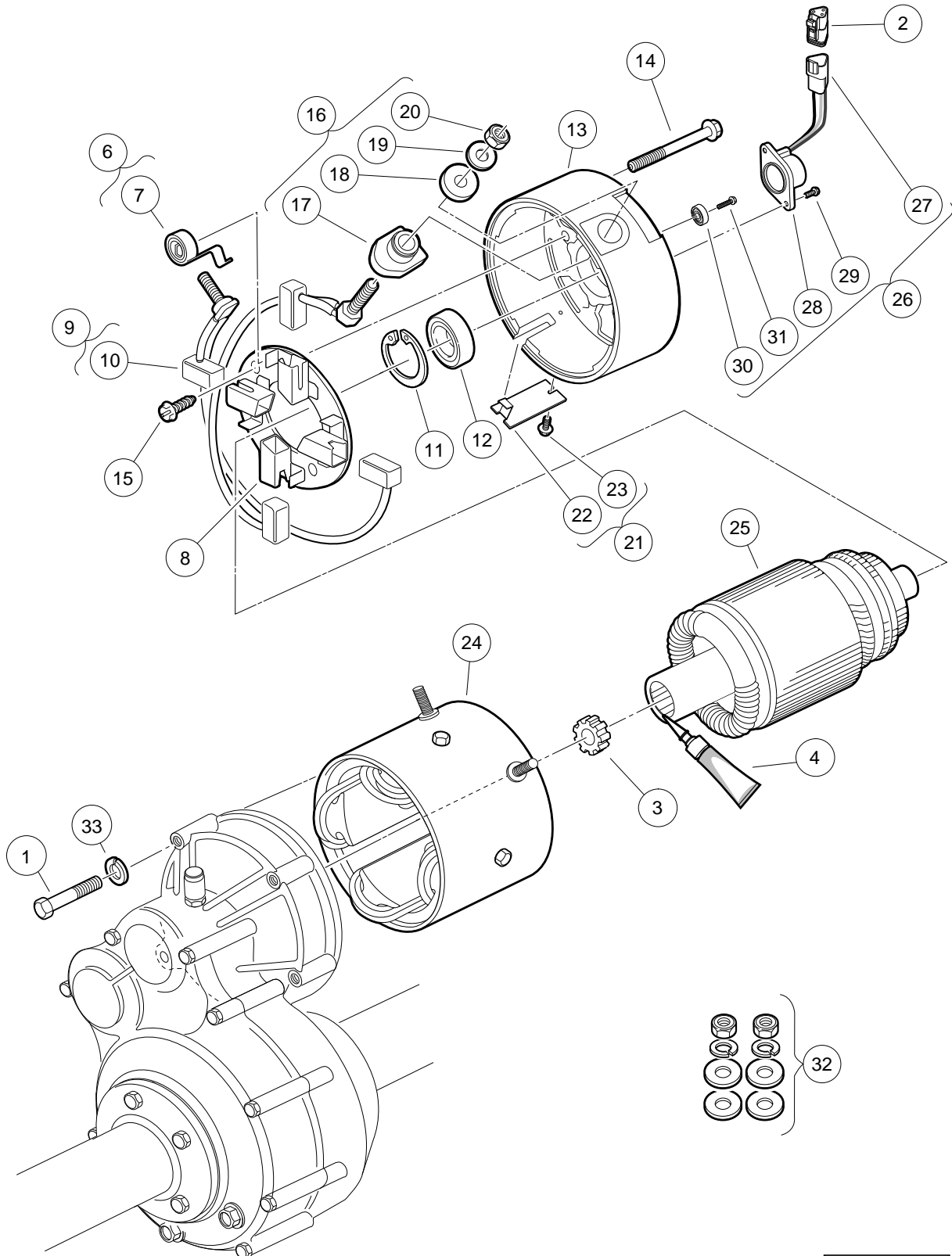
000185-001

MOTOR (MODEL EJ4-4001) – ELECTRIC VEHICLE

| ITEM | PART NO. | DESCRIPTION | QTY |
|------|-----------|--|-----|
| | | 1 2 3 4 | |
| 1 | 1010934 | Screw, 5/16-18 X 1.00 Hex Cap | 1 |
| 2 | 1014201 | Screw, 1/4-20 X 2.25 Hex Cap | 3 |
| 3 | 101920101 | Kit, 3-Pin Wedge Lock | 1 |
| 4 | 102235201 | Bumper, Drive Unit | 1 |
| 5 | 102243403 | Lubricant, Moly-Teflon (Single-Use Tube) | 1 |
| 6 | 102705001 | IQ Electric Motor, 48-VDC 3.3 hp (includes items 7 through 34) | 1 |
| 7 | 102186001 | Spring Kit, Motor Brush (includes item 8) | 1 |
| 8 | N/A | Spring, Brush, S-g | 4 |
| 9 | 102186101 | Brush Box Assembly | 1 |
| 10 | 102186201 | Brush Kit, Motor (includes item 11) | 1 |
| 11 | N/A | Assembly, Brush and Terminal | 2 |
| 12 | 102186301 | Ring, 2.24" Internal Retaining | 1 |
| 13 | 102186401 | Bearing, Ball | 1 |
| 14 | 102186701 | End Cap, Motor | 1 |
| 15 | N/A | Screw, 1/4-20 X 2.25 Hex-Head Washer | 2 |
| 16 | 102186901 | Screw, #8-32 X .5 Hex-Head | 2 |
| 17 | 102187001 | L-Bracket, Motor | 1 |
| 18 | 102187101 | Hardware Kit, Motor Terminal (includes items 19 through 22) | 2 |
| 19 | N/A | Bushing, Nylon | 2 |
| 20 | N/A | Washer, Nylon Flat | 2 |
| 21 | N/A | Washer, Flat, 5/16 Steel | 2 |
| 22 | N/A | Nut, Brass Hex, 5/16 - 18 | 2 |
| 23 | 102187201 | Plate Kit, Motor Cover (includes items 24 and 25) | 1 |
| 24 | N/A | Assembly, Cover Plate | 1 |
| 25 | N/A | Screw, #8-32 x 0.375, Taptite Thread | 1 |
| 26 | 102704701 | Frame and Field Assembly | 1 |
| 27 | 102704801 | Armature Assembly | 1 |
| 28 | 102704901 | Kit, Speed Sensor (includes items 29 through 33) | 1 |
| 29 | 101942301 | Kit, 3-Pin Wedge Lock | 1 |
| 30 | N/A | Sensor, Motor Speed, ADC | 1 |
| 31 | N/A | Screw, #8-32, Taptite Thread | 2 |
| 32 | N/A | Magnet, ADC Motor | 1 |
| 33 | N/A | Screw, 1/4-20 x 0.5 | 1 |
| 34 | N/A | Bolt, 1/4 - 20 x 0.73 Thread-Forming | 2 |
| 35 | 451 | Lockwasher, 1/4 Split | 3 |
| 36 | 7174 | Lockwasher, 5/16 Split | 1 |
| | | <p>Note: A1, A2, F1 and F2 terminal posts on the EJ4-4001 motor have 5/16 - 18 thread. The EJ4-4001 motor was used in vehicles with serial numbers lower than 0924-029324.</p> | |

14

E



000185-003

MOTOR (MODEL EJ8-4001A) – ELECTRIC VEHICLE

| ITEM | PART NO. | DESCRIPTION | QTY |
|---|-----------|--|-----|
| | | 1 2 3 4 | |
| 1 | 1014201 | Screw, 1/4-20 X 2.25 Hex Cap | 3 |
| 2 | 101920101 | Kit, 3-Pin Wedge Lock | 1 |
| 3 | 102235201 | Bumper, Drive Unit | 1 |
| 4 | 102243403 | Lubricant, Moly-Teflon (Single-Use Tube) | 1 |
| 5 | 103572501 | IQ Electric Motor, 48-VDC 3.3 hp (includes items 6 through 26) | 1 |
| 6 | 102186001 | Spring Kit, Motor Brush (includes item 7) | 1 |
| 7 | N/A | Spring, Brush, S-g | 4 |
| 8 | 102186101 | Brush Box Assembly | 1 |
| 9 | 102186201 | Brush Kit, Motor (includes item 10) | 1 |
| 10 | N/A | Assembly, Brush and Terminal | 2 |
| 11 | 102186301 | Ring, 2.24" Internal Retaining | 1 |
| 12 | 102186401 | Bearing, Ball | 1 |
| 13 | 102186701 | End Cap, Motor | 1 |
| 14 | N/A | Screw, 1/4-20 X 2.25 Hex-Head Washer | 2 |
| 15 | 102186901 | Screw, #8-32 X .5 Hex-Head | 2 |
| 16 | 102187101 | Hardware Kit, Motor Terminal (includes items 17 through 20) | 2 |
| 17 | N/A | Bushing, Nylon | 2 |
| 18 | N/A | Washer, Nylon Flat | 2 |
| 19 | N/A | Washer, Flat, 5/16 Steel | 2 |
| 20 | N/A | Nut, Brass Hex, 5/16 - 18 | 2 |
| 21 | 102187201 | Plate Kit, Motor Cover (includes items 22 and 23) | 1 |
| 22 | N/A | Assembly, Cover Plate | 1 |
| 23 | N/A | Screw, #8-32 x 0.375, Taptite Thread | 1 |
| 24 | 102704701 | Frame and Field Assembly | 1 |
| 25 | 102704801 | Armature Assembly | 1 |
| 26 | 102704901 | Kit, Speed Sensor (includes items 27 through 31) | 1 |
| 27 | 101942301 | Kit, 3-Pin Wedge Lock | 1 |
| 28 | N/A | Sensor, Motor Speed, ADC | 1 |
| 29 | N/A | Screw, #8-32, Taptite Thread | 2 |
| 30 | N/A | Magnet, ADC Motor | 1 |
| 31 | N/A | Screw, 1/4-20 x 0.5 | 1 |
| 32 | 103615001 | Kit, Motor Terminal Adapter | 1 |
| 33 | 451 | Lockwasher, 1/4 Split | 3 |
| <p>Note: The F1 and F2 terminal posts on the EJ8-4001A motor have 1/4 - 20 thread. The EJ8-4001A motor incorporated at serial number 0924-029324. Use item 32 to adapt wire harness originally equipped with EJ4-4001 motor to EJ8-4001A motor.</p> | | | |

14

E

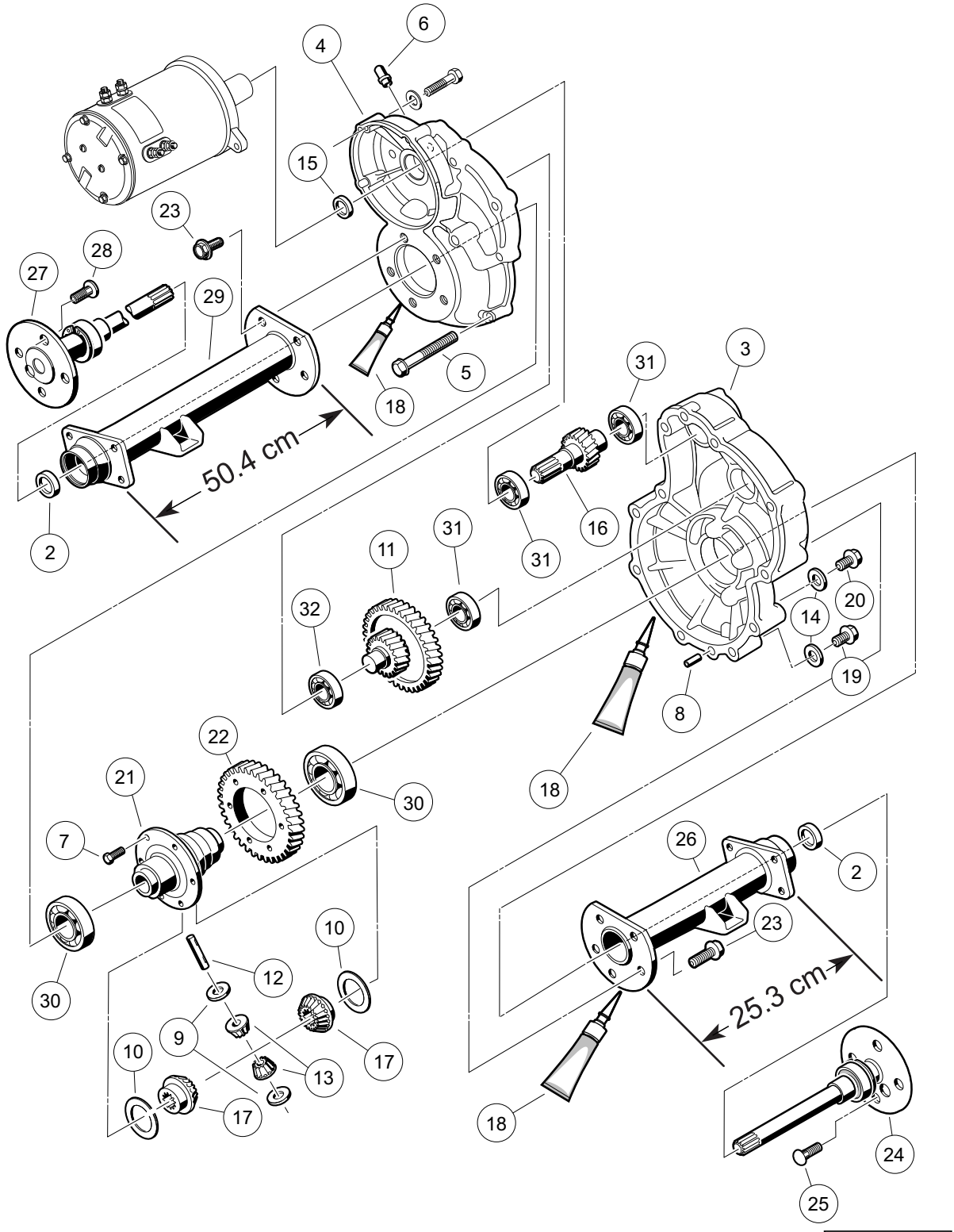
14

E

TRANSAXLE – ELECTRIC VEHICLES

15

E



000223-002

TRANSAXLE – ELECTRIC VEHICLES

| ITEM | PART NO. | DESCRIPTION | QTY |
|------|-----------|---|-----|
| | | 1 2 3 4 | |
| 1 | 102771701 | Transaxle, Electric (includes items 2 through 32) | 1 |
| 2 | 1013794 | Axle Shaft Oil Seal | 2 |
| 3 | 101895401 | Gear Case, Left-Hand | 1 |
| 4 | 101895501 | Gear Case, Passenger-Side | 1 |
| 5 | 101897001 | Screw, M8-1.25 X 60mm Hex-Head | 11 |
| 6 | 101897201 | Breather | 1 |
| 7 | 101897401 | Screw, M10-1.25 X 25mm | 6 |
| 8 | 101897601 | Pin, 11mm OD X 8.5mm ID X 10mm | 2 |
| 9 | 101903601 | Washer, Thrust | 2 |
| 10 | 101903701 | Washer, Thrust | 2 |
| 11 | 101906901 | Intermediate Shaft Assembly | 1 |
| 12 | 101922101 | Pin, 15.99mm X 88.7mm Dowel | 1 |
| 13 | 101923001 | Gear, Differential Idler | 2 |
| 14 | 101923201 | Gasket | 2 |
| 15 | 101923501 | Seal, Lip | 1 |
| 16 | 101923701 | Shaft, Input | 1 |
| 17 | 101923901 | Gear, Differential | 2 |
| 18 | 101928701 | Liquid Gasket (Transaxle case) | 1 |
| 19 | 101972101 | Plug, M14-1.5 X 12mm Magnetic | 1 |
| 20 | 101972201 | Plug, M14-1.5 X 12mm Hex | 1 |
| 21 | 102356601 | Housing, Differential, 6 Bolt | 1 |
| 22 | 102356801 | Gear, Differential Output, 6-Bolt | 1 |
| 23 | 102357001 | Screw, Flg Hd M10 X 1.5 X 30 | 10 |
| 24 | 102886301 | Axle Assembly, Driver-Side (includes item 25) | 1 |
| 25 | 101922201 | Lug Stud | 4 |
| 26 | 102886401 | Tube, Axle, Driver-Side | 1 |
| 27 | 102886501 | Axle Assembly, Passenger-Side (includes item 28) | 1 |
| 28 | 101922201 | Lug Stud | 4 |
| 29 | 102886601 | Tube, Axle, Passenger-Side | 1 |
| 30 | 7330 | Inner Axle Tube Bearing | 2 |
| 31 | 7335 | Bearing | 3 |
| 32 | 7336 | Bearing | 1 |

15

E

15

E

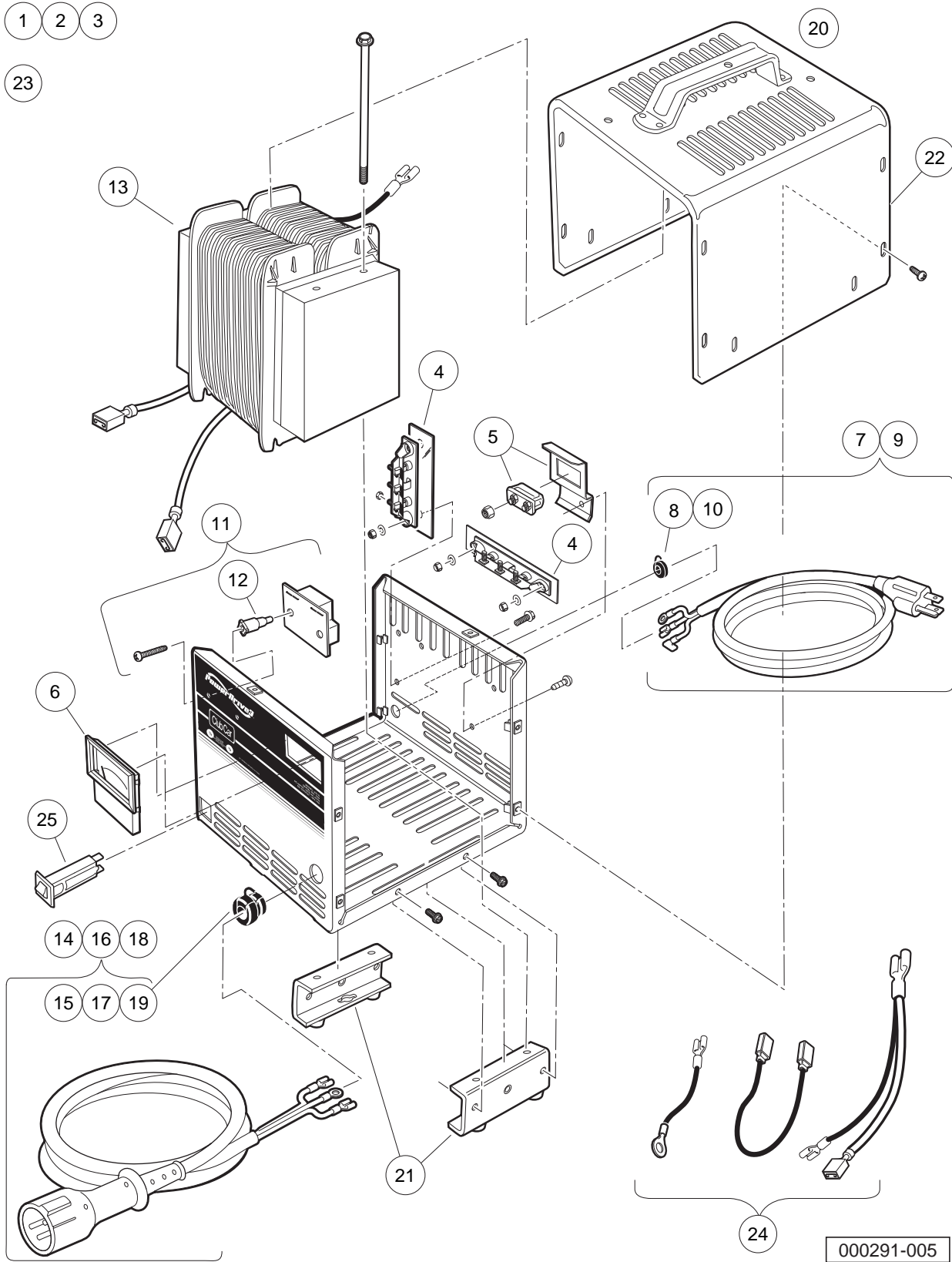
BATTERY CHARGERS

16

E

- 1
- 2
- 3

- 23



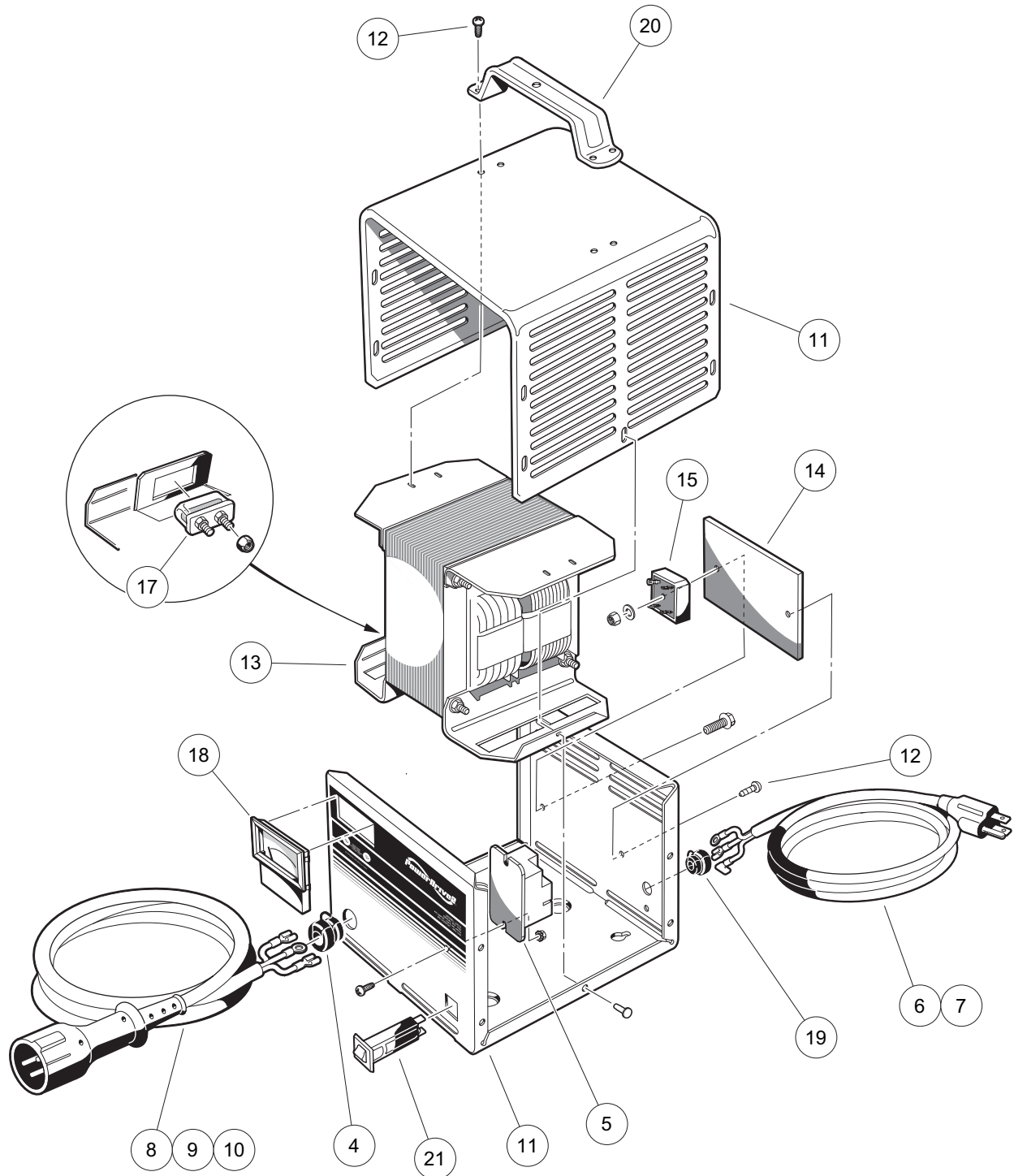
000291-005

POWERDRIVE 3 BATTERY CHARGER (MODEL 26580), DOMESTIC

| ITEM | PART NO. | DESCRIPTION | QTY |
|------|-----------|--|-----|
| | | 1 2 3 4 | |
| 1 | 103499101 | Charger, PowerDrive 3, 9ft DC, 6ft AC | 1 |
| 2 | 103499102 | Charger, PowerDrive 3, 12ft DC, 9ft AC | 1 |
| 3 | 103499103 | Charger, PowerDrive 3, 20ft DC, 9ft AC (includes items 4 through 25) | 1 |
| 4 | 1015914 | Rectifier with Heatsink Assembly | 2 |
| 5 | 102273701 | PD2 Fuse Asm | 1 |
| 6 | 102273801 | PD2 Ammeter | 1 |
| 7 | 103428501 | Kit, PD3 Cordset - AC 80" (includes item 8) | 1 |
| 8 | 102273901 | PD2 AC Cord Bushing | 1 |
| 9 | 103428601 | Kit, PD3 Cordset, - AC 114" (includes item 10) | 1 |
| 10 | 102273901 | PD2 AC Cord Bushing | 1 |
| 11 | 103428701 | Asm, PD3 Board Relay (includes item 12) | 1 |
| 12 | 103429701 | PD3 Plastic Stand-Offs | 2 |
| 13 | 103428801 | PD3 Transformer | 1 |
| 14 | 103429001 | PD3 Cordset - DC 113" (includes item 15) | 1 |
| 15 | 1012098 | Bushing, DC Cord | 1 |
| 16 | 103429101 | PD3 Cordset - DC 154" (includes item 17) | 1 |
| 17 | 1012098 | Bushing, DC Cord | 1 |
| 18 | 103429201 | PD3 Cordset - DC 205" (includes item 19) | 1 |
| 19 | 1012098 | Bushing, DC Cord | 1 |
| 20 | 103429301 | Asm, PD3 Case (includes items 21 and 22) | 1 |
| 21 | 103434001 | Asm, PD3 Legs | 1 |
| 22 | 103439901 | PD3Case Top (Includes Handle) | 1 |
| 23 | 103429501 | Kit, PD3 Hardware | 1 |
| 24 | 103429601 | Kit, PD3 Wires | 1 |
| 25 | CCX8506 | Circuit Breaker, 15-Amp/120-Volt | 1 |

16

E



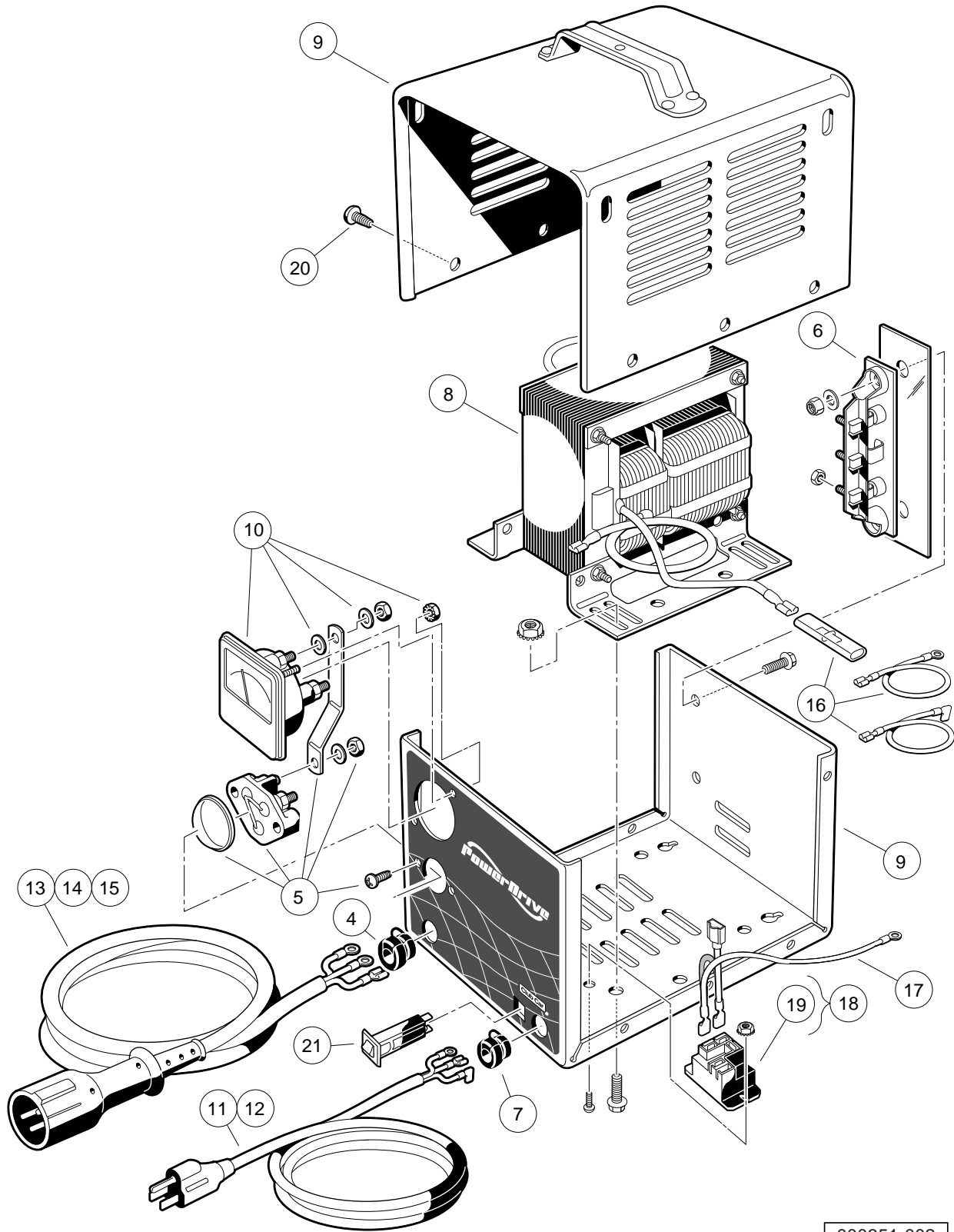
000291-004

POWERDRIVE 2 BATTERY CHARGER (MODEL 22110), DOMESTIC

| ITEM | PART NO. | DESCRIPTION | QTY |
|--|-----------|--|-----|
| | | 1 2 3 4 | |
| 1 | 101802204 | 48-V/13-A PowerDrive 2 (9-ft. DC, 6-ft. AC) | 1 |
| 2 | 101802205 | 48-V/13-A PowerDrive 2 (12-ft. DC, 9-ft. AC) | 1 |
| 3 | 101802206 | 48-V/13-A PowerDrive 2 (20-ft. DC, 9-ft. AC) (includes items 4 through 21) | 1 |
| 4 | 1012098 | Bushing, DC Cord | 1 |
| 5 | 101828601 | Relay, 48-Volt | 1 |
| 6 | 101828801 | Cord, AC, 80-Inch (203 cm) | 1 |
| 7 | 101828802 | Cord, AC, 108-Inch (274 cm) | 1 |
| 8 | 101828904 | PD2 DC Cordset, 113-inch | 1 |
| 9 | 101828905 | PD2 DC Cordset, 154-inch | 1 |
| 10 | 101828906 | Pd2 Dc Cordset 250 Inch | 1 |
| 11 | 102273201 | PD2 Case (includes item 12) | 1 |
| 12 | 7577 | Screw, #10 X 0.50 Phillips Pan-Head | 12 |
| 13 | 102273301 | PD2 Transformer Asm | 1 |
| 14 | 102273401 | PD2 Heatsink | 1 |
| 15 | 102273501 | PD2 Diode Bridge w/Film | 1 |
| 16 | 102273601 | PD2 Wire Asm | 1 |
| 17 | 102273701 | PD2 Fuse Asm | 1 |
| 18 | 102273801 | PD2 Ammeter | 1 |
| 19 | 102273901 | PD2 AC Cord Bushing | 1 |
| 20 | 102274001 | PD2 Handle | 1 |
| 21 | CCX8506 | Circuit Breaker, 15-Amp/120-Volt | 1 |
| <p>Note: Item 16 not shown. Level 1 Battery Charger part numbers include one AC and one DC cord. They do not include all of the level 2 cords listed. The PD2 Charger is no longer available and has been replaced by the PD3 Charger.</p> | | | |

16

E



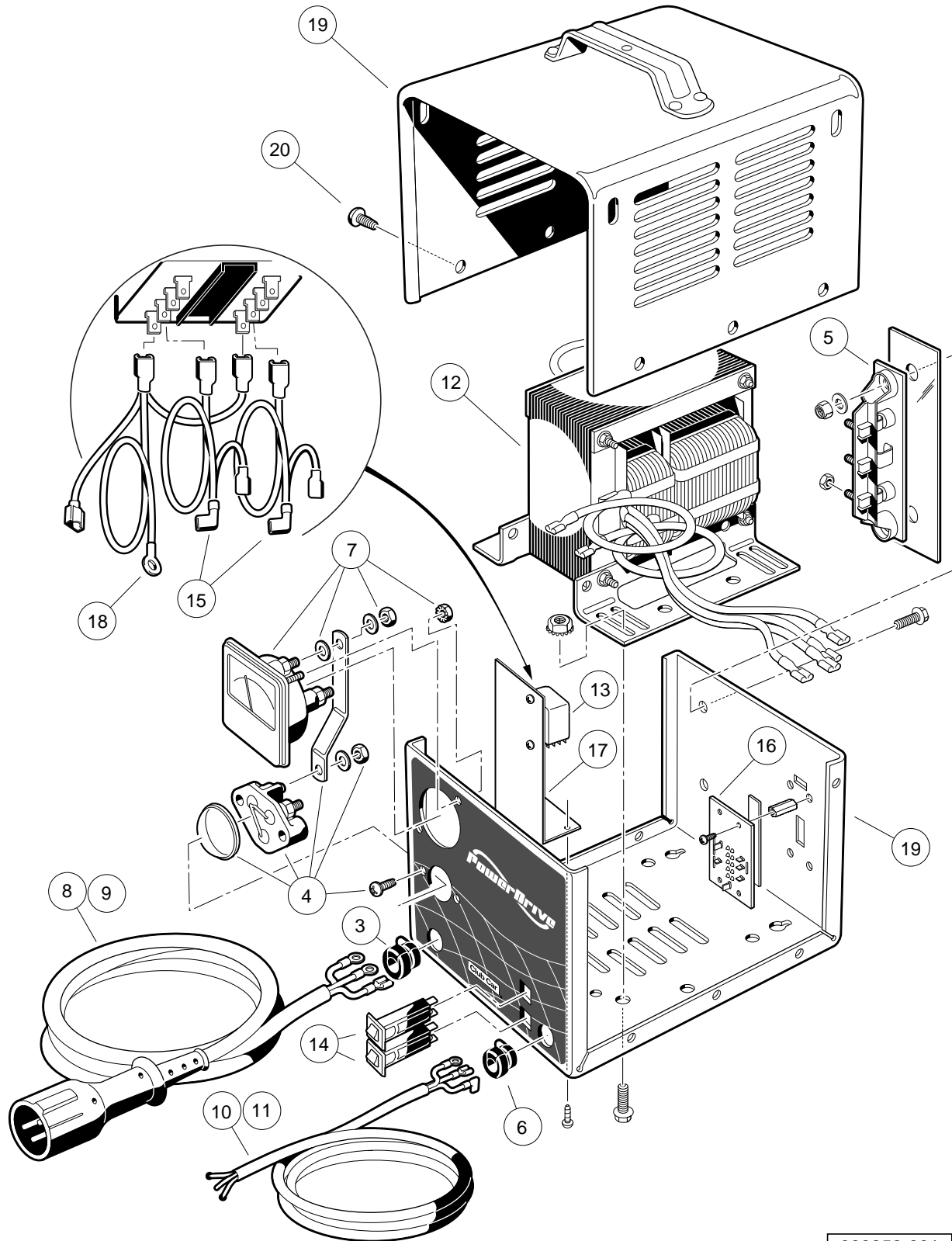
000351-002

POWERDRIVE BATTERY CHARGER (MODEL 17930), DOMESTIC

| ITEM | PART NO. | DESCRIPTION | QTY |
|--|-----------|---|-----|
| | | 1 2 3 4 | |
| 1 | 101802201 | 48V/17A PowerDrive (9-ft DC, 6-ft AC Cord) | 1 |
| 2 | 101802202 | 48V/17A PowerDrive (12-ft DC, 9-ft AC Cord) | 1 |
| 3 | 101802203 | 48V/17A PowerDrive (20-ft DC, 9-ft AC Cord) (includes items 4 through 21) | 1 |
| 4 | 1012098 | Bushing, DC Cord | 1 |
| 5 | 1012101 | Fuse Assembly | 1 |
| 6 | 1015914 | Rectifier with Heatsink Assembly | 1 |
| 7 | 1015917 | Bushing, AC Cord | 1 |
| 8 | 101819701 | Transformer, Battery Charger | 1 |
| 9 | 101828301 | Case Assembly | 1 |
| 10 | 101828501 | Ammeter | 1 |
| 11 | 101828801 | Cord, AC, 80-Inch (203 cm) | 1 |
| 12 | 101828802 | Cord, AC, 108-Inch (274 cm) | 1 |
| 13 | 101828901 | Cord, DC, 113-Inch (287 cm) | 1 |
| 14 | 101828902 | Cord, DC, 154-Inch (391 cm) | 1 |
| 15 | 101828903 | Cord, DC, 250-Inch (635 cm) | 1 |
| 16 | 101831101 | Wire Assembly Kit | 1 |
| 17 | 101914401 | Assembly, Voltage Suppressor | 1 |
| 18 | 103414901 | Kit, Relay, 48v 30a W/instr (includes item 19) | 1 |
| 19 | 103397901 | Relay, Spst No, 48v 30a, Pmt | 1 |
| 20 | 7577 | Screw, #10 X 0.50 Phillips Pan-Head | 10 |
| 21 | CCX8506 | Circuit Breaker, 15-Amp/120-Volt | 1 |
| <p>Note: Level 1 Battery Charger part numbers include one AC and one DC cord. They do not include all of the level 2 cords listed.</p> | | | |

16

E



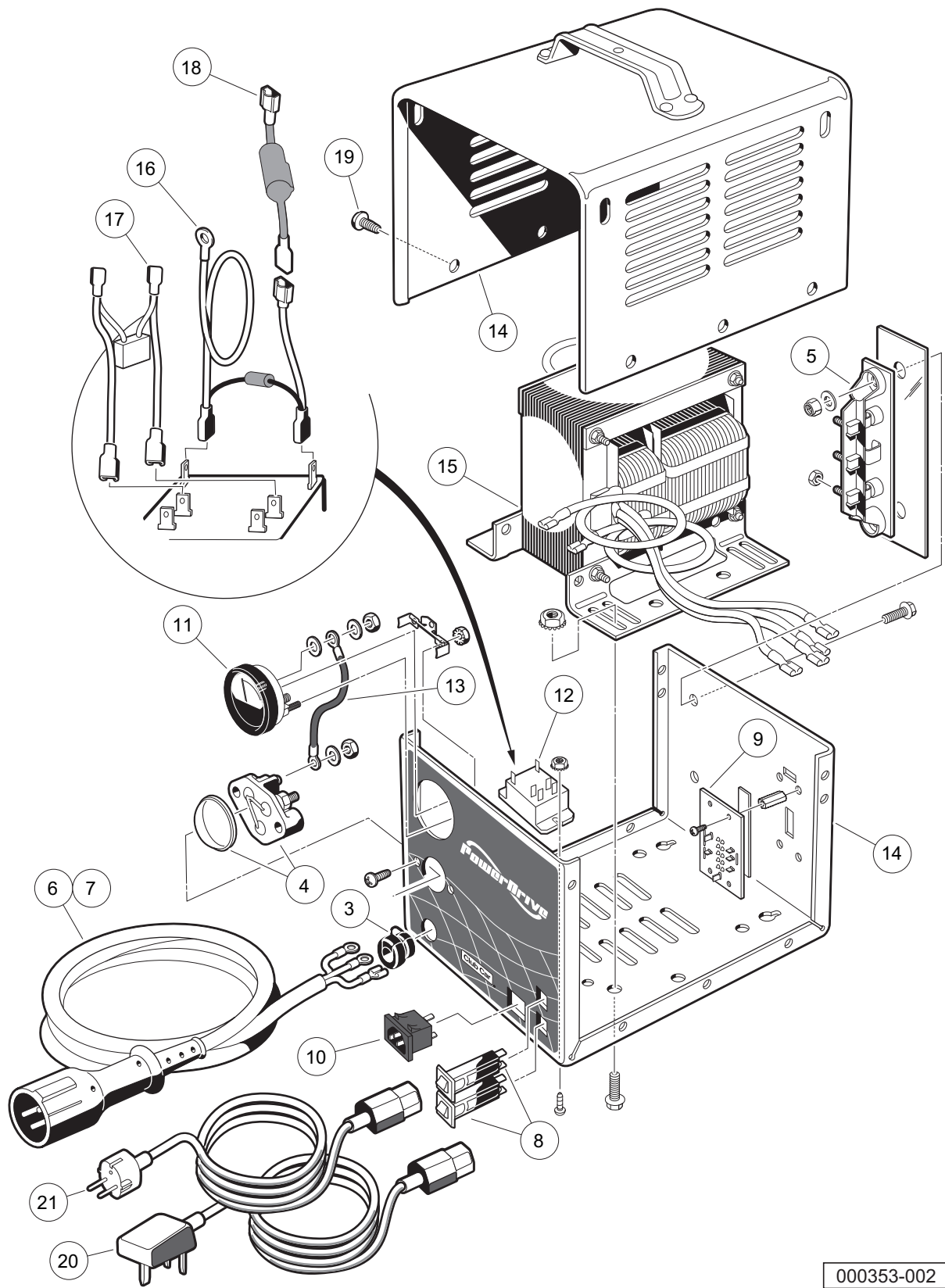
000352-001

POWERDRIVE BATTERY CHARGER (MODEL 18780), EXPORT

| ITEM | PART NO. | DESCRIPTION | QTY |
|---|-----------|---|-----|
| | | 1 2 3 4 | |
| 1 | 101831503 | Battery Charger, 48-Volt DC (8.5-ft DC, 6-ft AC) | 1 |
| 2 | 101831504 | Battery Charger, 48-Volt DC (12-ft DC, 9-ft AC) (includes items 3 through 20) | 1 |
| 3 | 1012098 | Bushing, DC Cord | 1 |
| 4 | 1012101 | Fuse Assembly | 1 |
| 5 | 1015914 | Rectifier with Heatsink Assembly | 1 |
| 6 | 1015917 | Bushing, AC Cord | 1 |
| 7 | 101828501 | Ammeter | 1 |
| 8 | 101828901 | Cord, DC, 113-Inch (287 cm) | 1 |
| 9 | 101828902 | Cord, DC, 154-Inch (391 cm) | 1 |
| 10 | 101831701 | Cord, AC, 80-Inch (203 cm), without Plug | 1 |
| 11 | 101831702 | Cord, AC, 118-Inch (300 cm), without Plug | 1 |
| 12 | 101838201 | Transformer, Export Battery Charger | 1 |
| 13 | 101838301 | Relay, Export Charger | 1 |
| 14 | 101838401 | Circuit Breaker | 2 |
| 15 | 101838501 | Kit, Wire Assembly | 1 |
| 16 | 101838601 | Four-Position Switch | 1 |
| 17 | 101838701 | Mounting Bracket, Relay | 1 |
| 18 | 101914401 | Assembly, Voltage Suppressor | 1 |
| 19 | N/A | Case, Charger | 1 |
| 20 | 7577 | Screw, #10 X 0.50 Phillips Pan-Head | 10 |
| <p style="margin-left: 40px;">Note: Level 1 Battery Charger part numbers include one AC and one DC cord. They do not include all of the level 2 cords listed.</p> | | | |

16

E



000353-002

POWERDRIVE BATTERY CHARGER (MODEL 20310), EUROPEAN

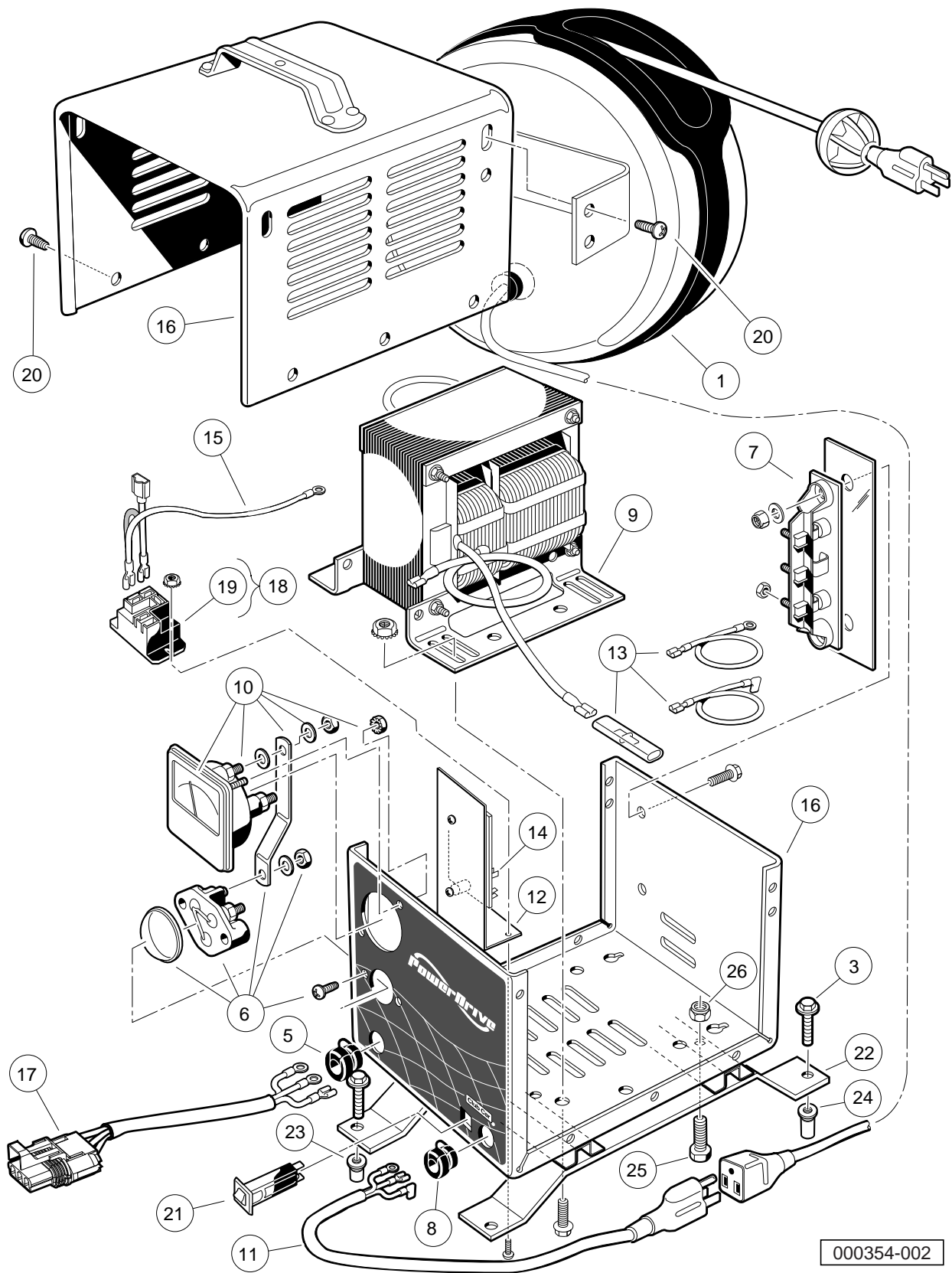
16

E

| ITEM | PART NO. | DESCRIPTION | QTY |
|------|-----------|--|-----|
| | | 1 2 3 4 | |
| 1 | 101956201 | Battery Charger, 48-Volt w/ 4-Position Switch (8.5-ft DC) | 1 |
| 2 | 101956202 | Battery Charger, 48-Volt w/ 4-Pos. Switch (12-ft DC) (includes items 3 through 19) | 1 |
| 3 | 1012098 | Bushing, DC Cord | 1 |
| 4 | 1012101 | Fuse Assembly | 1 |
| 5 | 1015914 | Rectifier with Heatsink Assembly | 1 |
| 6 | 101828901 | Cord, DC, 113-Inch (287 cm) | 1 |
| 7 | 101828902 | Cord, DC, 154-Inch (391 cm) | 1 |
| 8 | 101838401 | Circuit Breaker | 2 |
| 9 | 101838601 | Four-Position Switch | 1 |
| 10 | 101973501 | Receptacle, AC Cord | 1 |
| 11 | 101976601 | Ammeter with Mounting Bracket | 1 |
| 12 | 101987501 | Relay | 1 |
| 13 | N/A | Wire, Jumper | 1 |
| 14 | N/A | Case, Charger | 1 |
| 15 | **** | Transformer, European Battery Charger | 1 |
| 16 | **** | Suppressor, AC Voltage | 1 |
| 17 | **** | Assembly, Wire | 1 |
| 18 | **** | Limiter, Current | 1 |
| 19 | 7577 | Screw, #10 X 0.50 Phillips Pan-Head | 10 |
| 20 | 101958201 | Cord, UK, AC, Battery Charger | 1 |
| 21 | 101958301 | Cord, European AC, Battery Charger | 1 |
| | | **** Special order item available upon request. | |
| | | Note: Level 1 Battery Charger part numbers include one AC and one DC cord. They do not include all of the level 2 cords listed. | |

16

E



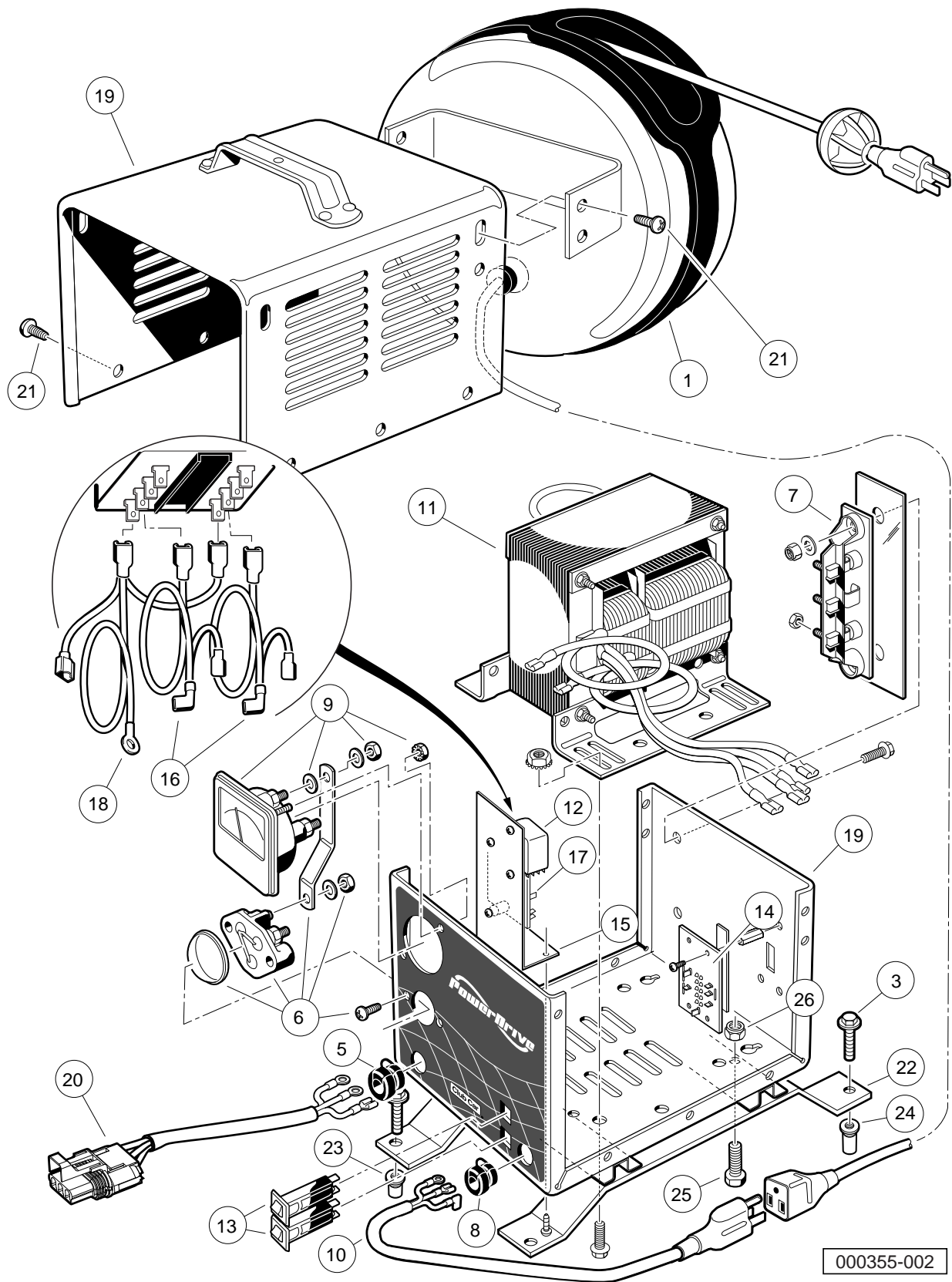
000354-002

ONBOARD POWERDRIVE BATTERY CHARGER (MODEL 17935-40), DOMESTIC

16

E

| ITEM | PART NO. | DESCRIPTION | QTY |
|--|-----------|---|-----|
| | | 1 2 3 4 | |
| 1 | 1017187 | Retractable Cord Reel | 1 |
| 2 | 1017189 | Heat Shrink Tube 1.5" X 3" | 1 |
| 3 | 102541425 | Bolt-m6x1.0x25 Hex Flhd, Blk-l | 4 |
| 4 | 102546901 | 48v Batt Ob Charger, Prec (includes items 5 through 21) | 1 |
| 5 | 1012098 | Bushing, DC Cord | 1 |
| 6 | 1012101 | Fuse Assembly | 1 |
| 7 | 1015914 | Rectifier with Heatsink Assembly | 1 |
| 8 | 1015917 | Bushing, AC Cord | 1 |
| 9 | 101819701 | Transformer, Battery Charger | 1 |
| 10 | 101828501 | Ammeter | 1 |
| 11 | 101829001 | Cord, AC, 22-Inch (56 cm) | 1 |
| 12 | 101838701 | Mounting Bracket, Relay | 1 |
| 13 | 101841701 | Kit, Wire Assembly | 1 |
| 14 | 101841901 | Control Board | 1 |
| 15 | 101914401 | Assembly, Voltage Suppressor | 1 |
| 16 | N/A | Case, Charger | 1 |
| 17 | 102940801 | Cord, Dc | 1 |
| 18 | 103414901 | Kit, Relay, 48v 30a W/instr (includes item 19) | 1 |
| 19 | 103397901 | Relay, Spst No, 48v 30a, Pmt | 1 |
| 20 | 7577 | Screw, #10 X 0.50 Phillips Pan-Head | 12 |
| 21 | CCX8506 | Circuit Breaker, 15-Amp/120-Volt | 1 |
| 22 | 102547201 | Charger Support, Prec | 2 |
| 23 | 102551701 | Insert M6x1.0 | 2 |
| 24 | 103339901 | Insert M6x1.0 Long | 2 |
| 25 | 7847 | Screw, 1/4-20 X 0.75 Hex-Head Cap | 4 |
| 26 | 8233 | Locknut, 1/4-20 Nylon Insert | 4 |
| 27 | 8990 | Tie Wrap, 8" Nylon | 2 |
| Note: Items 2 and 27 not shown. For wire harness connecting charger to vehicle, see Electrical System section. | | | |



000355-002

ONBOARD POWERDRIVE BATTERY CHARGER (MODEL 17790-40), INTERNATIONAL

16

E

| ITEM | PART NO. | DESCRIPTION | QTY |
|--|-----------|--|-----|
| | | 1 2 3 4 | |
| 1 | 1017187 | Retractable Cord Reel | 1 |
| 2 | 1017189 | Heat Shrink Tube 1.5" X 3" | 1 |
| 3 | 102541425 | Bolt-m6x1.0x25 Hex Flhd, Blk-l | 4 |
| 4 | 102546902 | Int Ob Charger, Prec (includes items 5 through 21) | 1 |
| 5 | 1012098 | Bushing, DC Cord | 1 |
| 6 | 1012101 | Fuse Assembly | 1 |
| 7 | 1015914 | Rectifier with Heatsink Assembly | 1 |
| 8 | 1015917 | Bushing, AC Cord | 1 |
| 9 | 101828501 | Ammeter | 1 |
| 10 | 101829001 | Cord, AC, 22-Inch (56 cm) | 1 |
| 11 | 101838201 | Transformer, Export Battery Charger | 1 |
| 12 | 101838301 | Relay, Export Charger | 1 |
| 13 | 101838401 | Circuit Breaker | 2 |
| 14 | 101838601 | Four-Position Switch | 1 |
| 15 | 101838701 | Mounting Bracket, Relay | 1 |
| 16 | **** | Kit, Wire Assembly | 1 |
| 17 | 101841901 | Control Board | 1 |
| 18 | 101914401 | Assembly, Voltage Suppressor | 1 |
| 19 | N/A | Case, Charger | 1 |
| 20 | 102940801 | Cord, Dc | 1 |
| 21 | 7577 | Screw, #10 X 0.50 Phillips Pan-Head | 12 |
| 22 | 102547201 | Charger Support, Prec | 2 |
| 23 | 102551701 | Insert M6x1.0 | 2 |
| 24 | 103339901 | Insert M6x1.0 Long | 2 |
| 25 | 7847 | Screw, 1/4-20 X 0.75 Hex-Head Cap | 4 |
| 26 | 8233 | Locknut, 1/4-20 Nylon Insert | 4 |
| 27 | 8990 | Tie Wrap, 8" Nylon | 2 |
| <p>**** Special order item available upon request.</p> <p>Note: Items 2 and 27 not shown. For wire harness connecting charger to vehicle, see Electrical System section.</p> | | | |

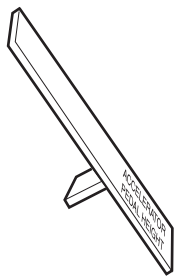
16

E

MAINTENANCE AND SERVICE TOOLS

17
G
E

17
G
E



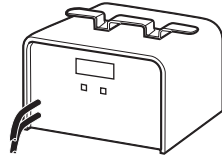
1



2



3



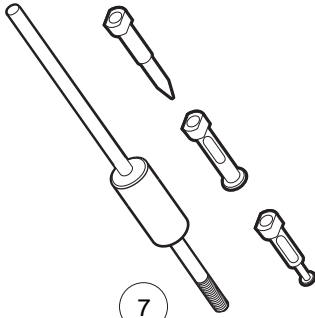
4



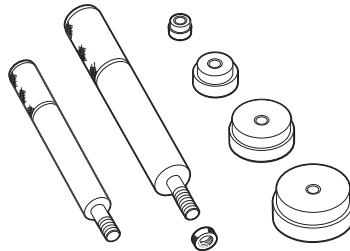
5



6



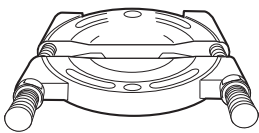
7



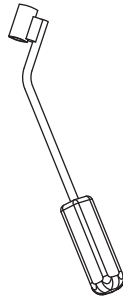
8



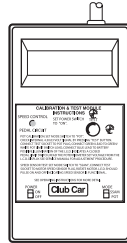
9



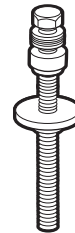
10



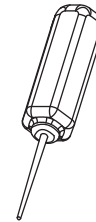
11



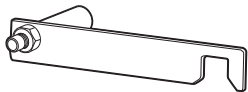
12



13



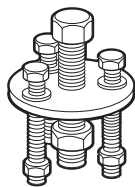
14



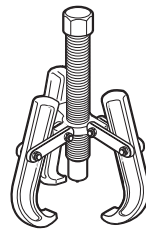
16



17



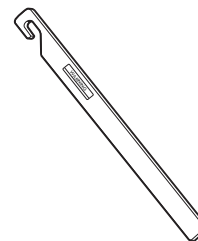
18



19



20



21



22

15

000967-001

MAINTENANCE AND SERVICE TOOLS – GOLF

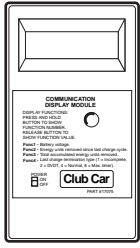
| ITEM | PART NO. | DESCRIPTION | QTY GAS | QTY ELEC |
|------|-----------|---|------------|-------------|
| | | <p>1 2 3 4</p> <p>The following tool list includes all tools available from Club Car for maintenance and service procedures for gasoline and electric golf cars, both past and present models. Be sure to carefully examine the tool list for applicability to your vehicle before ordering.</p> | | |
| 1 | 101871001 | Accelerator Pedal Adjustment Tool | 1 | 1 |
| 2 | 101813202 | Adhesive, Guide Ring, 3-Gram Tube | | 1 |
| 3 | 101641202 | Arbor | 1 | |
| 4 | 101831901 | Battery Discharge Machine, 36/48 Volt | | 1 |
| 5 | 1014305 | Battery Terminal Protector Spray | 1 | 1 |
| 6 | 1011767 | Battery Thermometer | 1 | 1 |
| 7 | 1016417 | Bearing and Oil Seal Remover Assembly | 1 | 1 |
| 8 | 1016416 | Bearing Driver Set | 1 | 1 |
| 9 | 1012811 | Bearing Puller | 1 | 1 |
| 10 | 1012812 | Bearing Puller Wedge Attachment | 1 | 1 |
| 11 | 102555501 | Brake Cable Release Tool | 1 | 1 |
| 12 | 101887101 | Calibration Test Module | | 1 |
| 13 | 101808401 | Cam Installation Tool | 1 | |
| 14 | 102562401 | Charger Bezel Tool | | 1 |
| 15 | 1014510 | Clutch Tool Kit (includes items 16 - 22) | 1 | |
| 16 | 1014498 | Clutch Alignment Tool (for pre-unitized transaxle vehicles built prior to 1997 model year) | 1 | |
| 17 | 1014496 | Drive Clutch Puller (for Kawasaki engines only) | 1 | |
| 18 | 1014497 | Drive Clutch Hub Puller (for Kawasaki engines only) | 1 | |
| 19 | 1014508 | Driven Clutch Cam Puller (for Kawasaki engines only) | 1 | |
| 20 | 1014507 | Driven Clutch Puller Plug (for Kawasaki engines only) | 1 | |
| 21 | 1015524 | Drive Clutch Holder Tool Assembly (for Kawasaki engines only) | 1 | |
| 22 | 101809101 | Press Weldment (for Kawasaki engines only) | 1 | |
| | | <p>Please refer to the maintenance and service manual for proper tool application.</p> | | |

17

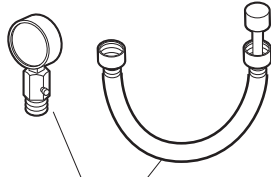
G

E

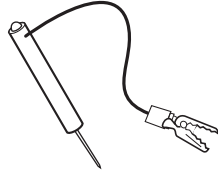
17
G
E



23



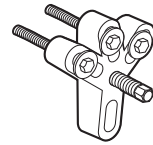
24



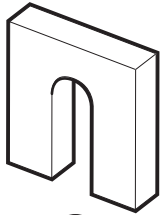
25



26



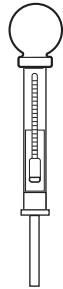
27



28



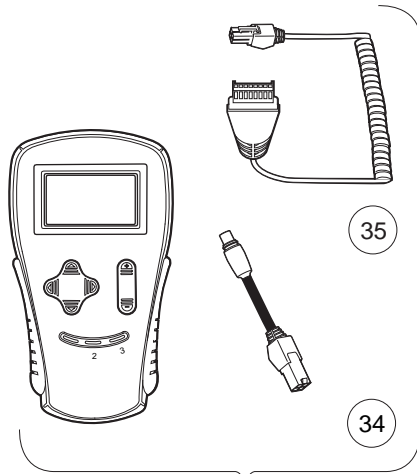
29



30



31

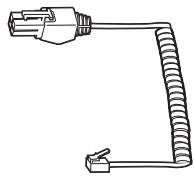


35

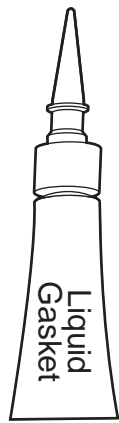
34

32

33



36



37



38



39

40



41

000968-001

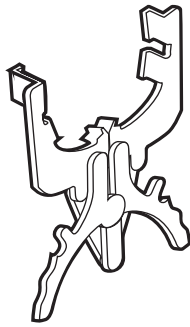
MAINTENANCE AND SERVICE TOOLS – GOLF, CONTINUED

| ITEM | PART NO. | DESCRIPTION | QTY GAS | QTY ELEC | 17 |
|------|-----------|--|------------|-------------|-----------|
| | | 1 2 3 4 | | | G |
| 23 | 101831801 | Communication Display Module | | 1 | E |
| 24 | 101641002 | Compression Gauge and Adapter | 1 | | |
| 25 | 1011273 | Continuity Tester | 1 | 1 | |
| 26 | 1012151 | Dry Moly Lubricant | 1 | 1 | |
| 27 | 1016627 | Flywheel Puller Kit (for Kawasaki Engines) | 1 | | |
| 28 | 1016418 | Gear Yoke | 1 | 1 | |
| 29 | 101933101 | Governor Shaft Installation Tool (for Kawasaki Engine Vehicles) | 1 | | |
| 30 | 1011478 | Hydrometer | 1 | 1 | |
| 31 | 1013593 | Internal Retaining Ring Pliers | 1 | 1 | |
| 32 | 102248803 | IQ Display Module (IQDM) Kit (IQ System and IQ Plus vehicles) | | 1 | |
| | | (includes items 54 and 55) | | | |
| 33 | 102248804 | IQ Display Module (IQDM-P) Kit (IQ System and IQ Plus vehicles) | | 1 | |
| | | (includes items 54 and 55) | | | |
| 34 | 102251501 | Adaptor, Cable | | 1 | |
| 35 | 102241502 | IQDM Series 2 Cable | | 1 | |
| 36 | 102241501 | IQDM Series 1 Cable (replacement) | | 1 | |
| 37 | 101928701 | Liquid Gasket (transaxle case) | 1 | 1 | |
| 38 | 102243402 | Moly-Teflon Lubricant (4-oz. (113-gram) tube) | | 1 | |
| 39 | 101997201 | Paint, Touch-Up – Beige* | 1 | 1 | |
| 39 | 101997207 | Paint, Touch-Up – Black* | 1 | 1 | |
| 39 | 101997212 | Paint, Touch-Up – Burgundy* | 1 | 1 | |
| 39 | 101997211 | Paint, Touch-Up – Classic Blue (Navy)* | 1 | 1 | |
| 39 | 101997205 | Paint, Touch-Up – Dark Gray* | 1 | 1 | |
| 39 | 101997209 | Paint, Touch-Up – Dark Green* | 1 | 1 | |
| 39 | 101997204 | Paint, Touch-Up – Gray* | 1 | 1 | |
| 39 | 101997203 | Paint, Touch-Up – Red* | 1 | 1 | |
| 39 | 101997206 | Paint, Touch-Up – Royal Blue (Pacific Blue)* | 1 | 1 | |
| 39 | 101997202 | Paint, Touch-Up – White* | 1 | 1 | |
| 40 | 102562301 | Paint, Precedent Underbody – Gray | 1 | 1 | |
| 41 | 102587201 | Paint Pen, Touch-Up, Precedent Underbody – Black | 1 | 1 | |
| | | Please refer to the maintenance and service manual for proper tool application. | | | |
| | | * Item 39 is not for use on Surlyn [®] body material, which is used on Precedent vehicles. | | | |

17
G
E



42



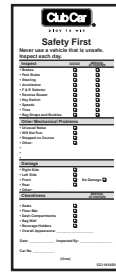
43



44



45



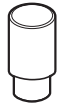
46



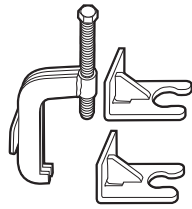
47



48



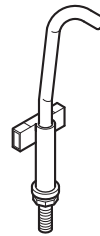
49



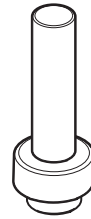
50



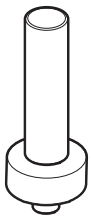
51



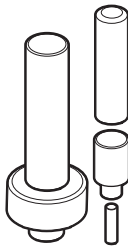
52



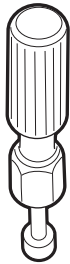
53



54



55



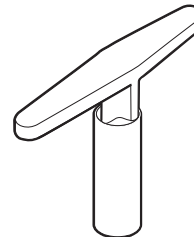
58



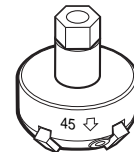
59



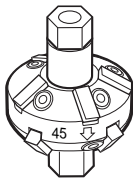
60



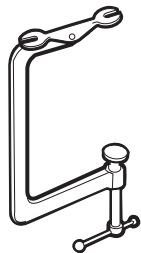
61



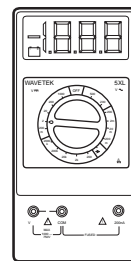
62



63



64



65

000969-001

MAINTENANCE AND SERVICE TOOLS – GOLF, CONTINUED

| ITEM | PART NO. | DESCRIPTION | QTY GAS | QTY ELEC |
|------|-----------|---|------------|-------------|
| | | 1 2 3 4 | | |
| 42 | 1016414 | Piston Ring Compressor Kit (FE290, FE350 and FE400 engines) | 1 | |
| 43 | 1016415 | Piston Ring Pliers (for Kawasaki Engines) | 1 | |
| 44 | 1012549 | Retaining Ring Pliers, 45° External | 1 | 1 |
| 45 | 1012560 | Retaining Ring Pliers, 90° Internal | 1 | 1 |
| 46 | 101823101 | Safety First Card (50 per pack) | 1 | 1 |
| 47 | 1012809 | Seal Puller | 1 | 1 |
| 48 | 1014264 | Steering Column Bearing Press Tool | 1 | 1 |
| 49 | 1014259 | Steering Column Retaining Ring Tool | 1 | 1 |
| 50 | 102061201 | Steering Wheel Puller Tool | 1 | 1 |
| 51 | AM10753 | Tachometer (includes gasoline engine pick up lead only) | 1 | |
| 52 | 102570401 | Tool, Tensioning, Starter Generator (For Precedent vehicles) | 1 | |
| 53 | 1014162 | Transaxle Axle Seal Tool | 1 | |
| 54 | 1014161 | Transaxle Pinion Seal Tool | 1 | |
| 55 | 1014115 | Transmission Tool Kit | 1 | |
| 56 | 101611003 | Tune-Up Kit, DS (for FE290/350 Engines) (includes air filter, spark plug, oil filter, fuel filters) (not shown) | 1 | |
| 57 | AM1220301 | Tune-Up Kit, Precedent (for FE290/350 Engines) (includes air filter, spark plug, oil filter, fuel filters) (not shown) | 1 | |
| 58 | 1016413 | Valve Clearance Adjuster Screw Holder (for FE290 engines only) | 1 | |
| 59 | 101641201 | Valve Guide Reamer (FE290, FE350, and FE400 only) | 1 | |
| 60 | 1016552 | Valve Seat Cutter Guide | 1 | |
| 61 | 1016551 | Valve Seat Cutter T-Wrench | 1 | |
| 62 | 1016553 | Valve Seat Cutter, 45° (32 mm diameter) (for FE290 engines only) | 1 | |
| 63 | 1016554 | Valve Seat Cutter, 45°/30° (35 mm diameter) | 1 | |
| 64 | 101641101 | Valve Spring Compressor | 1 | |
| 65 | 1011480 | Volt Ohm Meter | 1 | 1 |
| | | Please refer to the maintenance and service manual for proper tool application. | | |

17
G
E

INDEX

Part Number and Page

| | | | | | |
|-----------|--|-----------|---------------------------------|---------|---|
| AM10753 | 17-7 | 16-15 | 1013792 | 12-7 | |
| AM10079 | 6-3, 13-3 | 1012101 | 16-7, 16-9, 16-11, 16-13, 16-15 | 1013794 | 12-7, 15-3 |
| AM10080 | 12-5 | 1012151 | 17-5 | 1013924 | 4-3, 4-5, 7-15, 8-15 |
| AM10081 | 12-5 | 1012180 | 5-19, 5-21 | 1014007 | 12-3 |
| AM10419 | 11-5 | 1012181 | 5-19, 5-21, 5-23 | 1014049 | 11-3 |
| AM10682 | 2-3 | 1012182 | 5-19, 5-21, 5-23 | 1014050 | 11-3 |
| AM1229401 | 5-3 | 1012285 | 9-11 | 1014051 | 11-3 |
| AM1232301 | 7-5, 8-5 | 1012295 | 6-25 | 1014052 | 11-3 |
| CCX8506 | 16-3, 16-5, 16-7, 16-13 | 1012431 | 6-9 | 1014055 | 11-3 |
| 183 | 11-3, 12-3 | 1012505 | 6-3, 13-3 | 1014056 | 11-3 |
| 332 | 10-3 | 1012528 | 10-3, 13-41, 13-43 | 1014057 | 11-3 |
| 334 | 7-15, 8-15, 11-3 | 1012549 | 17-7 | 1014058 | 11-3 |
| 451 | 10-3, 14-3, 14-5 | 1012560 | 17-7 | 1014059 | 11-3 |
| 705 | 7-15, 8-15 | 1012565 | 5-3, 5-5 | 1014062 | 11-3 |
| 706 | 5-13, 5-17 | 1012566 | 5-3, 5-5 | 1014063 | 11-3 |
| 808 | 11-3 | 1012571 | 1-23, 7-15, 8-15 | 1014065 | 6-9, 11-3 |
| 1241 | 6-23, 10-3 | 1012594 | 6-9 | 1014070 | 11-5 |
| 1242 | 4-7, 4-9, 6-23, 6-25 | 1012649 | 9-3 | 1014072 | 11-5 |
| 1624 | 6-23 | 1012711 | 12-3 | 1014078 | 11-5 |
| 7174 | 6-23, 9-11, 10-3, 14-3 | 1012714 | 12-5 | 1014080 | 11-5 |
| 7310 | 2-3, 2-5 | 1012740 | 12-5 | 1014089 | 6-9 |
| 7330 | 12-7, 15-3 | 1012741 | 12-5 | 1014115 | 17-7 |
| 7335 | 12-5, 15-3 | 1012747 | 12-5 | 1014145 | 6-9 |
| 7336 | 15-3 | 1012748 | 12-5 | 1014153 | 4-3, 4-5 |
| 7577 | 16-5, 16-7, 16-9, 16-11, 16-13, 16-15 | 1012752 | 12-3 | 1014161 | 17-7 |
| 7847 | 10-3, 16-13, 16-15 | 1012809 | 17-7 | 1014162 | 17-7 |
| 7893 | 6-25 | 1012811 | 17-3 | 1014201 | 14-3, 14-5 |
| 8057 | 6-9 | 1012812 | 17-3 | 1014207 | 12-7 |
| 8058 | 6-9 | 1012830 | 6-23, 9-11, 10-3 | 1014259 | 17-7 |
| 8233 | 12-3, 16-13, 16-15 | 1012836 | 11-5 | 1014264 | 17-7 |
| 8450 | 11-3 | 1012896 | 12-3 | 1014287 | 11-3 |
| 8639 | 13-29, 13-31, 13-33, 13-35 | 1012987 | 6-9 | 1014288 | 11-3 |
| 8717 | 6-9, 12-3 | 1013001 | 6-19 | 1014289 | 6-19 |
| 8745 | 5-13, 5-17 | 1013003 | 6-19 | 1014304 | 13-27, 13-29, 13-31, 13-33, 13-35 |
| 8754 | 6-23 | 1013005 | 6-19 | 1014305 | 17-3 |
| 8990 | 13-45, 16-13, 16-15 | 101301102 | 6-19 | 1014375 | 6-25 |
| 1010145 | 5-19, 5-21, 5-23 | 1013061 | 12-3 | 1014413 | 1-15, 9-13 |
| 1010434 | 1-11, 1-21, 1-29, 1-31, 1-33, 1-35, 1-37, 4-11, 4-13, 4-15, 4-17, 13-33, 13-35 | 1013164 | 5-19, 5-21, 5-23 | 1014453 | 11-3 |
| 1010577 | 7-15, 8-15 | 1013589 | 6-9 | 1014454 | 11-5 |
| 1010829 | 4-7, 4-9 | 1013590 | 6-9 | 1014496 | 17-3 |
| 1010850 | 4-3 | 1013591 | 6-9 | 1014497 | 17-3 |
| 1010934 | 14-3 | 1013593 | 17-5 | 1014498 | 17-3 |
| 1010954 | 6-9 | 1013609 | 6-25 | 1014507 | 17-3 |
| 1010984 | 2-3 | 1013687 | 9-3 | 1014508 | 17-3 |
| 1011273 | 17-5 | 1013700 | 9-11 | 1014510 | 17-3 |
| 1011291 | 12-7 | 1013734 | 10-3, 13-41, 13-43 | 1014523 | 9-3 |
| 1011415 | 5-19, 5-21, 5-23 | 1013746 | 9-3, 9-9 | 1014524 | 9-3 |
| 1011466 | 4-3 | 1013760 | 12-3 | 1014555 | 5-19, 5-21, 5-23, 13-27, 13-29, 13-31, 13-33, 13-35 |
| 1011478 | 17-5 | 1013768 | 12-7 | 1014727 | 6-9 |
| 1011480 | 17-7 | 1013769 | 12-7 | 1014807 | 6-9 |
| 1011697 | 5-3, 7-15, 8-15, 9-9, 9-11 | 1013770 | 12-7 | 1014902 | 1-33, 1-35, 1-37, 5-23 |
| 1011767 | 17-3 | 1013771 | 12-7 | 1014947 | 13-41, 13-43 |
| 1012030 | 5-13 | 1013772 | 12-7 | 1015064 | 6-9 |
| 1012098 | 16-3, 16-5, 16-7, 16-9, 16-11, 16-13, | 1013773 | 12-7 | 1015137 | 9-3, 9-9 |
| | | 1013774 | 12-7 | 1015139 | 9-3 |
| | | 1013787 | 12-7 | | |

INDEX

| | | | | | |
|-----------|---------------------------------------|-----------|--------------------------------|-----------|------------------------|
| 1015143 | 9-3 | 1016458 | 7-9, 8-9 | 1016579 | 7-5 |
| 101524002 | 6-23 | 1016467 | 7-7, 8-7 | 1016581 | 7-7, 8-7 |
| 1015332 | 7-3, 8-3 | 1016470 | 7-13, 8-13 | 1016582 | 9-9 |
| 1015524 | 17-3 | 1016472 | 7-11, 8-11 | 1016583 | 7-9, 8-9 |
| 1015649 | 7-3, 8-3 | 1016473 | 7-7, 8-7 | 1016584 | 7-11, 8-11 |
| 1015814 | 10-3 | 1016474 | 7-9, 8-9 | 1016585 | 9-5, 9-7 |
| 101584502 | 9-11 | 1016479 | 7-9, 8-9 | 1016586 | 7-5 |
| 1015914 | 16-3, 16-7, 16-9, 16-11, 16-13, 16-15 | 1016480 | 9-9 | 1016587 | 7-5, 8-5 |
| 1015917 | 16-7, 16-9, 16-13, 16-15 | 101648102 | 9-9 | 1016588 | 7-5, 8-5 |
| 1015932 | 6-23 | 101648203 | 7-7, 8-7 | 1016627 | 17-5 |
| 1015969 | 7-3, 8-3 | 1016483 | 7-9, 8-9 | 1016630 | 6-3 |
| 1016074 | 6-23 | 1016486 | 9-5, 9-7 | 1016663 | 5-5 |
| 1016103 | 9-9 | 1016489 | 7-9, 8-9 | 1016672 | 12-7 |
| 101611003 | 17-7 | 101649002 | 9-9 | 1016801 | 11-3 |
| 1016154 | 5-3, 5-5 | 1016494 | 7-11, 8-11 | 1016849 | 6-3, 13-3 |
| 101615602 | 5-5 | 1016496 | 7-11, 8-11 | 1016851 | 6-3, 13-3 |
| 1016201 | 11-3 | 1016497 | 7-5 | 1016883 | 6-23 |
| 1016203 | 11-3 | 1016499 | 9-5, 9-7 | 1016904 | 7-9, 8-9, 10-3 |
| 1016214 | 5-3, 5-5 | 1016501 | 9-5, 9-7 | 101705701 | 1-33, 1-35, 1-37, 3-9 |
| 1016219 | 5-5 | 1016502 | 7-7, 8-7 | 1017082 | 12-3 |
| 1016289 | 11-3 | 1016506 | 7-11, 8-11 | 1017187 | 16-13, 16-15 |
| 1016337 | 12-5 | 1016507 | 7-3, 8-3 | 1017189 | 16-13, 16-15 |
| 1016338 | 12-5 | 1016510 | 7-11, 8-11 | 1017231 | 12-3 |
| 101641002 | 17-5 | 1016513 | 12-3 | 1017235 | 1-33, 1-35, 1-37, 5-23 |
| 101641101 | 17-7 | 1016517 | 7-9, 8-9 | 1017434 | 7-9, 8-9 |
| 101641201 | 17-7 | 1016518 | 7-9, 8-9 | 1017435 | 7-9 |
| 101641202 | 17-3 | 1016519 | 7-9, 8-9 | 1017442 | 7-7, 8-7 |
| 1016413 | 17-7 | 1016521 | 7-11, 8-11 | 1017443 | 7-9, 7-11, 8-9 |
| 1016414 | 17-7 | 1016531 | 7-3, 8-3 | 1017444 | 7-9 |
| 1016415 | 17-7 | 1016535 | 7-11, 8-11 | 1017445 | 7-9, 8-9 |
| 1016416 | 17-3 | 1016537 | 7-7, 8-7 | 1017446 | 7-9 |
| 1016417 | 17-3 | 1016538 | 7-11, 8-11 | 1017447 | 7-11 |
| 1016418 | 17-5 | 1016539 | 7-3, 8-3 | 1017448 | 7-5, 8-5 |
| 101642575 | 9-5, 9-7 | 1016541 | 7-13, 8-13 | 101744901 | 7-13, 8-13 |
| 101642578 | 9-5, 9-7 | 1016542 | 8-9 | 101744902 | 7-13, 8-13 |
| 101642580 | 9-5, 9-7 | 1016544 | 7-5, 7-9, 7-11, 8-5, 8-9, 8-11 | 1017450 | 7-13, 8-13 |
| 101642582 | 9-5, 9-7 | 1016545 | 8-9 | 101745101 | 7-13, 8-13 |
| 101642585 | 9-5, 9-7 | 1016546 | 9-11 | 101745102 | 7-13, 8-13 |
| 1016429 | 7-7, 8-7 | 1016547 | 7-3, 7-13, 8-3, 9-9 | 1017453 | 7-13, 8-13 |
| 1016432 | 7-7, 8-7, 12-3 | 1016549 | 7-9, 8-9 | 1017454 | 7-9, 8-9 |
| 1016436 | 7-9, 8-9 | 1016551 | 17-7 | 1017455 | 7-5, 8-5 |
| 1016437 | 9-5, 9-7 | 1016552 | 17-7 | 1017456 | 7-7, 8-7 |
| 1016438 | 9-9 | 1016553 | 17-7 | 101745701 | 7-13, 8-13 |
| 1016440 | 7-9, 8-9, 9-9 | 1016554 | 17-7 | 101745702 | 7-13, 8-13 |
| 1016441 | 9-9 | 1016560 | 7-9, 8-9 | 1017458 | 7-7, 8-7 |
| 1016444 | 9-9 | 1016561 | 7-5, 8-5 | 1017460 | 7-7, 8-7 |
| 1016445 | 7-5 | 1016562 | 7-5, 7-13, 8-5, 8-11, 8-13 | 1017461 | 9-5, 9-7 |
| 1016449 | 7-9, 8-9 | 1016563 | 7-9, 8-9 | 1017463 | 7-5, 8-5 |
| 1016450 | 7-9, 8-9 | 1016564 | 7-11, 8-11 | 1017466 | 9-9 |
| 1016451 | 8-9 | 1016566 | 7-9, 8-9 | 1017468 | 7-5 |
| 1016452 | 7-9, 8-9 | 1016569 | 7-9, 8-9 | 1017471 | 7-13, 8-11, 8-13 |
| 1016453 | 8-11 | 1016570 | 7-7, 8-7 | 1017472 | 7-11, 8-11 |
| 1016454 | 7-11, 8-11 | 1016571 | 7-13, 8-13 | 1017473 | 7-9, 8-9 |
| 1016455 | 7-5, 8-5 | 1016572 | 9-9 | 1017474 | 7-3, 8-3 |
| 1016456 | 7-3, 7-5, 8-3 | 1016576 | 7-7, 8-7 | 1017475 | 7-3, 8-3 |
| 1016457 | 7-7, 8-7 | 1016578 | 7-5 | 1017476 | 7-3, 8-3 |

INDEX

| | | | | | |
|-----------|----------------------------|-----------|-----------------------------------|-----------|---------------|
| 1017486 | 7-3, 8-3 | 101823302 | 4-3 | 101865805 | 13-33, 13-35 |
| 1017487 | 7-11, 8-11 | 101823801 | 4-3, 4-5 | 101869302 | 6-19 |
| 1017490 | 7-5, 8-5 | 101823901 | 4-3, 4-5 | 101871001 | 17-3 |
| 1017500 | 7-3 | 101824001 | 4-3 | 101874901 | 6-19 |
| 1017501 | 7-13, 8-13 | 101824002 | 4-3 | 101875001 | 6-19 |
| 1017502 | 7-13, 8-13 | 101824401 | 9-3 | 101875101 | 6-19 |
| 1017503 | 7-13, 8-13 | 101825101 | 3-3, 3-5 | 101875102 | 6-19 |
| 1017504 | 7-11, 8-11 | 101827101 | 7-15, 8-15 | 101875201 | 6-19 |
| 1017507 | 7-7, 8-7 | 101828301 | 16-7 | 101875301 | 6-19 |
| 1017508 | 7-11, 8-11 | 101828501 | 16-7, 16-9, 16-13, 16-15 | 101875401 | 6-19 |
| 1017510 | 7-13, 8-13 | 101828601 | 16-5 | 101875501 | 6-19 |
| 1017512 | 7-13, 8-13 | 101828801 | 16-5, 16-7 | 101875601 | 6-19 |
| 1017513 | 7-11, 8-11 | 101828802 | 16-5, 16-7 | 101875701 | 6-19 |
| 1017514 | 7-11, 8-11 | 101828901 | 16-7, 16-9, 16-11 | 101875802 | 6-19 |
| 101751801 | 7-11, 8-11 | 101828902 | 16-7, 16-9, 16-11 | 101876001 | 6-19 |
| 101751802 | 7-11, 8-11 | 101828903 | 16-7 | 101876202 | 6-19 |
| 101751803 | 7-11, 8-11 | 101828904 | 16-5 | 101876301 | 6-19 |
| 1017653 | 6-19 | 101828905 | 16-5 | 101876402 | 6-19 |
| 1017686 | 11-5 | 101828906 | 16-5 | 101876501 | 6-19 |
| 1017689 | 10-3 | 101829001 | 16-13, 16-15 | 101877601 | 6-19 |
| 101769302 | 2-3 | 101830701 | 6-3, 13-3 | 101877701 | 6-19 |
| 101773301 | 7-13, 8-13 | 101831101 | 16-7 | 101878101 | 6-19 |
| 101773302 | 7-13, 8-13 | 101831401 | 13-27 | 101879001 | 6-19 |
| 101773303 | 7-13, 8-13 | 101831503 | 16-9 | 101884801 | 7-15, 8-15 |
| 101773304 | 7-13, 8-13 | 101831504 | 16-9 | 101886101 | 12-3 |
| 101773305 | 7-13, 8-13 | 101831701 | 16-9 | 101887101 | 17-3 |
| 101773306 | 7-13, 8-13 | 101831702 | 16-9 | 101887601 | 7-3, 8-3, 9-9 |
| 101773307 | 7-13, 8-13 | 101831801 | 17-5 | 101889401 | 12-5 |
| 101773308 | 7-13, 8-13 | 101831901 | 17-3 | 101890001 | 12-5 |
| 101773309 | 7-13, 8-13 | 101832001 | 13-27, 13-29, 13-31, 13-33, 13-35 | 101890101 | 12-3 |
| 101773310 | 7-13, 8-13 | 101832202 | 9-11 | 101890201 | 12-3 |
| 101773311 | 7-13, 8-13 | 101832302 | 9-11 | 101890501 | 12-3 |
| 101791101 | 4-3, 4-5 | 101832601 | 7-15, 8-15 | 101890601 | 12-3 |
| 101795701 | 13-27 | 101832701 | 7-15, 8-15 | 101890901 | 12-7 |
| 101797701 | 13-29, 13-33 | 101833101 | 7-15, 8-15 | 101891001 | 12-7 |
| 101797801 | 13-29, 13-31, 13-33, 13-35 | 101833401 | 11-5 | 101891301 | 12-3 |
| 101802201 | 16-7 | 101833601 | 12-3 | 101891401 | 12-7 |
| 101802202 | 16-7 | 101833701 | 6-19 | 101891501 | 12-7 |
| 101802203 | 16-7 | 101833902 | 11-3 | 101891601 | 12-5 |
| 101802204 | 16-5 | 101834001 | 11-5 | 101891901 | 12-5 |
| 101802205 | 16-5 | 101834502 | 6-3, 13-3 | 101892001 | 12-5 |
| 101802206 | 16-5 | 101834601 | 7-15, 8-15 | 101892201 | 12-5 |
| 101808401 | 17-3 | 101834801 | 12-3 | 101892301 | 12-5 |
| 101809101 | 17-3 | 101836201 | 11-5 | 101892401 | 12-5 |
| 101811401 | 1-15, 9-13 | 101837301 | 6-23 | 101892501 | 12-5 |
| 101813202 | 17-3 | 101838201 | 16-9, 16-15 | 101892601 | 12-5 |
| 101815501 | 4-3, 4-5 | 101838301 | 16-9, 16-15 | 101892701 | 12-7 |
| 101815502 | 4-3, 4-5 | 101838401 | 16-9, 16-11, 16-15 | 101892901 | 12-3 |
| 101816301 | 4-3 | 101838501 | 16-9 | 101893201 | 12-5 |
| 101816501 | 4-3, 4-5 | 101838601 | 16-9, 16-11, 16-15 | 101893801 | 12-3 |
| 101816502 | 4-3, 4-5 | 101838701 | 16-9, 16-13, 16-15 | 101893901 | 12-5 |
| 101819701 | 16-7, 16-13 | 101841701 | 16-13 | 101895401 | 15-3 |
| 101820201 | 9-9 | 101841901 | 16-13, 16-15 | 101895501 | 15-3 |
| 101823101 | 17-7 | 101851101 | 6-3, 13-3 | 101896501 | 6-19 |
| 101823201 | 4-3, 4-5 | 101856001 | 13-25 | 101897001 | 15-3 |
| 101823301 | 4-3 | 101856201 | 1-15, 9-13 | 101897201 | 15-3 |

INDEX

| | | | | | |
|------------|--------------------------|-----------|--------------|-----------|---|
| 101897401 | 15-3 | 101972002 | 17-5 | 102274001 | 16-5 |
| 101897601 | 15-3 | 101972003 | 17-5 | 102279001 | 1-23 |
| 101898001 | 6-25 | 101972004 | 17-5 | 102279104 | 1-23 |
| 101903601 | 15-3 | 101972005 | 17-5 | 102287101 | 5-11, 5-15 |
| 101903701 | 15-3 | 101972006 | 17-5 | 102287201 | 5-13 |
| 101905901 | 9-5 | 101972007 | 17-5 | 102287301 | 5-11 |
| 101906901 | 15-3 | 101972009 | 17-5 | 102287601 | 5-11, 5-15 |
| 101908401 | 13-25 | 101972011 | 17-5 | 102287701 | 5-11, 5-15 |
| 101908701 | 13-41, 13-43 | 101972012 | 17-5 | 102287901 | 5-13 |
| 101909201 | 7-5 | 101972101 | 15-3 | 102288101 | 5-11, 5-13, 5-15, 5-17 |
| 101909301 | 7-5 | 101972201 | 15-3 | 102288201 | 5-13, 5-17 |
| 101909401 | 7-5 | 101973101 | 9-5, 9-7 | 102288401 | 5-13, 5-17 |
| 101909501 | 7-5 | 101973301 | 9-5, 9-7 | 102288601 | 5-9 |
| 101910501 | 12-7 | 101973401 | 9-9 | 102288901 | 5-11, 5-15 |
| 101914401 | 16-7, 16-9, 16-13, 16-15 | 101973501 | 16-11 | 102289001 | 5-9 |
| 101916001 | 7-13 | 101976601 | 16-11 | 102289101 | 5-13, 5-17 |
| 101916101 | 7-3, 8-3 | 101979101 | 6-9 | 102289201 | 5-13, 5-17 |
| 101916201 | 7-5 | 101980801 | 12-5 | 102289401 | 5-11, 5-15 |
| 101916301 | 7-5, 8-5 | 101980901 | 12-5 | 102289501 | 5-11, 5-13, 5-15, 5-17 |
| 101916701 | 6-23, 11-3 | 101981001 | 12-5 | 102289601 | 5-11, 5-15 |
| 101920101 | 13-7, 14-3, 14-5 | 101987501 | 16-11 | 102289701 | 5-11, 5-15 |
| 101922101 | 15-3 | 101990802 | 4-7 | 102289801 | 5-13, 5-17 |
| 101922201 | 15-3 | 102003201 | 9-3 | 102289901 | 5-11, 5-15 |
| 101923001 | 15-3 | 102022601 | 5-9 | 102290120 | 5-7 |
| 101923201 | 15-3 | 102031901 | 12-7 | 102292201 | 4-11, 4-13, 4-15, 4-17 |
| 1019233501 | 15-3 | 102061201 | 17-7 | 102292356 | 1-9, 1-11, 1-13, 13-27, 13-29, 13-31, 13-33, 13-35 |
| 1019233701 | 15-3 | 102065901 | 7-15, 8-15 | 102292701 | 1-11, 1-13, 1-23 |
| 1019233901 | 15-3 | 102186001 | 14-3, 14-5 | 102292801 | 4-7, 4-9 |
| 101925601 | 11-3 | 102186101 | 14-3, 14-5 | 102296020 | 1-5, 5-3, 6-25, 9-3, 9-13 |
| 101926901 | 12-3 | 102186201 | 14-3, 14-5 | 102296040 | 6-9, 6-25 |
| 101927101 | 12-3 | 102186301 | 14-3, 14-5 | 102296140 | 1-25, 1-27 |
| 101927201 | 12-3 | 102186401 | 14-3, 14-5 | 102296401 | 1-25, 1-27 |
| 101927301 | 12-3 | 102186701 | 14-3, 14-5 | 102296530 | 1-21, 1-29, 1-33, 1-35, 1-37 |
| 101927501 | 12-5 | 102186901 | 14-3, 14-5 | 102296601 | 1-11, 1-23 |
| 101927601 | 12-5 | 102187001 | 14-3 | 102296716 | 13-41, 13-43 |
| 101927701 | 12-5 | 102187101 | 14-3, 14-5 | 102296819 | 1-9 |
| 101927901 | 12-5 | 102187201 | 14-3, 14-5 | 102296920 | 1-11, 6-9, 13-25 |
| 101928001 | 12-5 | 102196901 | 13-3 | 102297001 | 1-9 |
| 101928101 | 12-5 | 102235201 | 14-3, 14-5 | 102297125 | 1-21, 9-13 |
| 101928301 | 12-7 | 102240501 | 13-41, 13-43 | 102297230 | 1-23 |
| 101928601 | 12-3 | 102241501 | 17-5 | 102297901 | 4-7, 4-9 |
| 101928701 | 12-3, 15-3, 17-5 | 102241502 | 17-5 | 102298020 | 1-11, 1-13, 13-27, 13-29, 13-31, 13-33, 13-35, 13-41, 13-43 |
| 101929802 | 11-3 | 102242101 | 11-5 | 102298030 | 1-15, 1-17, 1-23, 1-29, 4-11, 4-13, 4-15, 4-17 |
| 101933101 | 17-5 | 102243402 | 17-5 | 102298116 | 5-7 |
| 101936801 | 13-7 | 102243403 | 14-3, 14-5 | 102298130 | 5-7 |
| 101939901 | 6-19 | 102248803 | 17-5 | 102298170 | 5-19, 5-21, 5-23 |
| 101942301 | 14-3, 14-5 | 102248804 | 17-5 | 102298185 | 5-19, 5-21, 5-23 |
| 101953802 | 7-3 | 102251501 | 17-5 | 102298240 | 1-21, 1-23, 1-29 |
| 101956201 | 16-11 | 102273201 | 16-5 | 102298401 | 1-3, 1-25, 1-27, 5-19, 5-21, 5-23 |
| 101956202 | 16-11 | 102273301 | 16-5 | 102298580 | 1-23 |
| 101958201 | 16-11 | 102273401 | 16-5 | 102298601 | 1-23, 1-31 |
| 101958301 | 16-11 | 102273501 | 16-5 | 102298716 | 1-11, 1-13, 1-23 |
| 101960501 | 3-3 | 102273601 | 16-5 | 102298720 | 1-29, 1-31, 1-33, 1-35, 1-37 |
| 101963401 | 7-15, 8-15 | 102273701 | 16-3, 16-5 | | |
| 101964201 | 13-31, 13-35 | 102273801 | 16-3, 16-5 | | |
| 101972001 | 17-5 | 102273901 | 16-3, 16-5 | | |

INDEX

| | | | | | |
|-----------|-----------------------------------|-----------|------------------|-----------|--------------------------------------|
| 102298745 | 1-31, 1-33, 1-35, 1-37 | 102503222 | 1-21, 1-29, 1-35 | 102521901 | 1-11, 1-13 |
| 102299065 | 1-7, 1-25, 1-27 | 102503224 | 1-21, 1-29, 1-37 | 102522601 | 2-3 |
| 102299360 | 1-25, 1-27 | 102503225 | 1-21, 1-29 | 102522604 | 2-3 |
| 102299601 | 1-25, 1-27 | 102503901 | 1-21 | 102522605 | 2-3 |
| 102302504 | 1-11 | 102504001 | 1-21 | 102522609 | 2-3 |
| 102302604 | 1-11 | 102504201 | 1-21 | 102522901 | 6-3, 13-3 |
| 102304801 | 7-9, 8-9 | 102504301 | 1-21 | 102523901 | 1-11 |
| 102336001 | 9-11 | 102504501 | 1-21 | 102526201 | 12-3 |
| 102353201 | 5-13, 5-17 | 102504802 | 1-11, 1-13 | 102531001 | 1-31, 1-33, 1-35, 1-37 |
| 102353301 | 5-13, 5-17 | 102505701 | 5-11, 5-15 | 102531402 | 1-31, 1-33, 1-35, 1-37 |
| 102353401 | 5-13, 5-17 | 102506201 | 5-19, 5-21, 5-23 | 102531501 | 1-29, 1-33, 1-35, 1-37 |
| 102355301 | 6-25 | 102506301 | 5-19, 5-21, 5-23 | 102531601 | 1-31, 1-33, 1-35, 1-37 |
| 102356601 | 15-3 | 102506401 | 5-19, 5-21, 5-23 | 102531701 | 1-29, 1-33 |
| 102356801 | 15-3 | 102506601 | 5-19, 5-21, 5-23 | 102531702 | 1-29, 1-35 |
| 102357001 | 15-3 | 102507101 | 5-7 | 102531704 | 1-29, 1-37 |
| 102357701 | 5-13, 5-17 | 102508202 | 1-17 | 102534001 | 13-27 |
| 102400002 | 1-25, 1-27 | 102508401 | 13-25 | 102534201 | 1-3, 1-31, 1-33, 1-35, 1-37 |
| 102400102 | 1-25, 1-27 | 102508601 | 13-3 | 102534404 | 1-5 |
| 102400202 | 1-7 | 102508701 | 13-3 | 102534801 | 1-33, 1-35, 1-37, 5-23 |
| 102400302 | 1-7 | 102508901 | 1-27 | 102536601 | 6-3, 13-3 |
| 102430901 | 7-13, 8-11, 8-13 | 102508902 | 1-25 | 102536602 | 6-3 |
| 102431001 | 7-11 | 102509301 | 5-21 | 102536603 | 13-3 |
| 102453001 | 12-5 | 102510001 | 13-3 | 102536604 | 6-3 |
| 102453101 | 12-5 | 102511101 | 13-25 | 102536605 | 13-3 |
| 102491501 | 13-27, 13-29, 13-31, 13-33, 13-35 | 102511301 | 13-27 | 102537801 | 5-3 |
| 102500101 | 4-11 | 102511302 | 13-27 | 102538101 | 3-3, 5-3 |
| 102500501 | 1-23 | 102511601 | 1-27 | 102538201 | 3-5, 5-3 |
| 102500601 | 1-23 | 102511602 | 1-25 | 102538601 | 13-25 |
| 102500801 | 4-11, 4-13, 4-15, 4-17 | 102511702 | 1-15 | 102540301 | 7-15, 8-15 |
| 102501402 | 1-23 | 102512001 | 6-9 | 102540601 | 2-5 |
| 102501501 | 1-5 | 102512401 | 1-25, 1-27 | 102540701 | 2-5 |
| 102502301 | 1-23 | 102513001 | 5-19 | 102540801 | 5-3 |
| 102502302 | 1-23 | 102513102 | 9-11 | 102540901 | 3-3 |
| 102502304 | 1-23 | 102513301 | 1-25, 1-27 | 102541425 | 1-29, 1-33, 1-35, 1-37, 16-13, 16-15 |
| 102502305 | 1-23 | 102513501 | 1-25, 1-27 | 102543902 | 1-7 |
| 102502306 | 1-23 | 102513701 | 9-3 | 102544201 | 1-7, 1-25, 1-27 |
| 102502307 | 1-23 | 102514201 | 9-3 | 102544901 | 1-33, 1-35, 1-37, 5-23 |
| 102502308 | 1-23 | 102514401 | 1-15, 9-13 | 102545601 | 1-23 |
| 102502309 | 1-23 | 102514601 | 6-9 | 102545602 | 1-23 |
| 102502311 | 1-23 | 102515001 | 6-3, 6-7 | 102546901 | 16-13 |
| 102502313 | 1-23 | 102515101 | 6-3 | 102546902 | 16-15 |
| 102502401 | 1-5 | 102515301 | 6-9 | 102547201 | 16-13, 16-15 |
| 102502402 | 1-5 | 102515401 | 12-3 | 102551701 | 1-21, 16-13, 16-15 |
| 102502404 | 1-5 | 102515501 | 6-9 | 102551901 | 4-7, 4-9 |
| 102502405 | 1-5 | 102515601 | 6-9 | 102552001 | 4-7, 4-9 |
| 102502406 | 1-5 | 102516901 | 1-17 | 102554901 | 6-9 |
| 102502407 | 1-5 | 102517001 | 1-21 | 102555501 | 17-3 |
| 102502408 | 1-5 | 102517801 | 3-3 | 102555901 | 3-5 |
| 102502409 | 1-5 | 102517901 | 3-3 | 102556701 | 2-5 |
| 102502411 | 1-5 | 102518001 | 3-5 | 102556801 | 2-5 |
| 102502413 | 1-5 | 102519201 | 3-3 | 102557201 | 1-9 |
| 102502501 | 1-5 | 102519301 | 3-3, 3-5 | 102557501 | 4-7 |
| 102502601 | 1-5 | 102520701 | 1-27 | 102557502 | 4-7 |
| 102502901 | 1-23 | 102520702 | 1-25 | 102557801 | 2-3 |
| 102503001 | 1-23 | 102521301 | 9-13 | 102558201 | 9-13 |
| 102503221 | 1-21, 1-29, 1-33 | 102521401 | 9-13 | 102558301 | 9-13 |

INDEX

| | | | | | |
|-----------|------------------------|-----------|------------------------|-----------|-----------------------------------|
| 102558401 | 9-13 | 102589901 | 6-9 | 103196001 | 1-25, 1-27 |
| 102558501 | 9-13 | 102590001 | 13-11, 13-15 | 103199301 | 1-25, 1-27 |
| 102558601 | 9-13 | 102591901 | 3-7 | 103200301 | 1-25, 1-27 |
| 102558701 | 9-13 | 102594101 | 2-3 | 103205101 | 1-25, 1-27 |
| 102558801 | 4-11 | 102594301 | 4-7, 4-9 | 103209501 | 5-7 |
| 102558901 | 4-11 | 102594801 | 4-13, 4-15, 4-17 | 103210101 | 1-25, 1-27 |
| 102559001 | 4-11 | 102594901 | 4-13, 4-15, 4-17 | 103226201 | 13-37, 13-39 |
| 102559101 | 4-11 | 102595015 | 4-13 | 103226301 | 13-37, 13-39 |
| 102559301 | 4-11 | 102595021 | 4-15, 4-17 | 103226401 | 13-37, 13-39 |
| 102559401 | 4-11, 4-13, 4-15, 4-17 | 102595101 | 9-11 | 103226601 | 13-37, 13-39 |
| 102559601 | 4-11 | 102595201 | 4-13, 4-15, 4-17 | 103226701 | 13-37, 13-39 |
| 102559701 | 4-11, 4-13, 4-15, 4-17 | 102595301 | 4-13, 4-15, 4-17 | 103238501 | 3-7 |
| 102562101 | 1-23 | 102595401 | 4-13, 4-15, 4-17 | 103327601 | 1-21 |
| 102562301 | 17-5 | 102595502 | 4-13 | 103327901 | 13-7 |
| 102562401 | 17-3 | 102595601 | 13-5 | 103330601 | 1-3 |
| 102562701 | 1-19 | 102595701 | 4-13, 4-15, 4-17 | 103339901 | 16-13, 16-15 |
| 102562801 | 1-19 | 102595901 | 4-13, 4-15, 4-17 | 103344301 | 4-11 |
| 102562901 | 1-19 | 102596001 | 4-13, 4-15, 4-17 | 103345701 | 11-3 |
| 102563101 | 4-11, 13-7 | 102596301 | 4-15, 4-17 | 103347101 | 6-21 |
| 102564901 | 5-9 | 102628201 | 6-21 | 103347301 | 6-21 |
| 102565101 | 5-9 | 102704701 | 14-3, 14-5 | 103347601 | 6-21 |
| 102565201 | 5-9 | 102704801 | 14-3, 14-5 | 103347701 | 6-21 |
| 102565301 | 5-9 | 102704901 | 14-3, 14-5 | 103347801 | 6-21 |
| 102565401 | 5-9 | 102705001 | 14-3 | 103347901 | 6-21 |
| 102565701 | 5-9 | 102711001 | 6-21 | 103357701 | 13-27, 13-29, 13-31, 13-33, 13-35 |
| 102565801 | 5-9 | 102753401 | 7-9 | 103358501 | 13-27 |
| 102565901 | 5-9 | 102771701 | 15-3 | 103367901 | 13-41, 13-43 |
| 102566001 | 5-9 | 102803301 | 6-25 | 103368301 | 13-27, 13-29, 13-31, 13-33, 13-35 |
| 102566101 | 5-9 | 102806201 | 13-41 | 103368401 | 13-27, 13-29, 13-31, 13-33, 13-35 |
| 102568701 | 1-21 | 102806203 | 13-41 | 103374801 | 13-29, 13-31, 13-33, 13-35 |
| 102569304 | 2-3 | 102838401 | 7-5, 8-5 | 103374901 | 13-15 |
| 102569309 | 2-3 | 102838701 | 6-21 | 103375301 | 13-27, 13-29, 13-31, 13-33, 13-35 |
| 102570401 | 17-7 | 102838801 | 6-21 | 103375401 | 13-27 |
| 102570901 | 1-33 | 102838901 | 6-21 | 103375501 | 13-27, 13-29, 13-31, 13-33, 13-35 |
| 102570902 | 1-35 | 102839001 | 6-21 | 103375701 | 13-11, 13-15, 13-19, 13-23 |
| 102570904 | 1-37 | 102839301 | 6-21 | 103375702 | 13-11, 13-15, 13-19, 13-23 |
| 102571202 | 13-33, 13-35 | 102841101 | 6-21 | 103376001 | 13-27, 13-29, 13-31, 13-33, 13-35 |
| 102571301 | 5-3 | 102844401 | 6-21 | 103379601 | 6-9 |
| 102572201 | 1-29, 1-33, 1-35, 1-37 | 102844501 | 6-21 | 103380201 | 4-5 |
| 102572401 | 13-3 | 102844601 | 6-21 | 103380202 | 4-5 |
| 102573101 | 1-29, 1-33, 1-35, 1-37 | 102844701 | 6-21 | 103384601 | 3-7 |
| 102574801 | 1-29, 1-33, 1-35, 1-37 | 102865101 | 9-3 | 103384701 | 3-7 |
| 102574901 | 1-29, 1-33, 1-35, 1-37 | 102878101 | 5-13 | 103384801 | 3-7 |
| 102575101 | 1-29, 1-33, 1-35, 1-37 | 102878201 | 5-13, 5-17 | 103386201 | 8-3 |
| 102575201 | 1-29, 1-33, 1-35, 1-37 | 102886301 | 15-3 | 103388501 | 5-15 |
| 102584701 | 1-31, 1-33, 1-35, 1-37 | 102886401 | 15-3 | 103395401 | 13-39 |
| 102584801 | 1-31, 1-33, 1-35, 1-37 | 102886501 | 15-3 | 103395402 | 13-37 |
| 102585901 | 10-3 | 102886601 | 15-3 | 103395501 | 13-39 |
| 102586201 | 6-13 | 102915601 | 1-9 | 103395503 | 13-37 |
| 102587201 | 17-5 | 102940801 | 16-13, 16-15 | 103395701 | 13-39 |
| 102587501 | 4-11 | 102952202 | 9-3 | 103397901 | 16-7, 16-13 |
| 102588301 | 9-13 | 102956201 | 5-11, 5-13, 5-15, 5-17 | 103402701 | 1-9 |
| 102588501 | 5-19, 5-21, 5-23 | 102956401 | 13-37 | 103403201 | 13-41 |
| 102588601 | 5-11, 5-15 | 102958001 | 13-37, 13-39 | 103403402 | 13-43 |
| 102588701 | 4-11 | 102967901 | 1-23 | 103403501 | 13-23 |
| 102588901 | 4-11 | 102973801 | 5-13 | 103414901 | 16-7, 16-13 |

INDEX

- 103421801 13-11, 13-15, 13-19, 13-23
103423001 1-19
103423002 1-19
103423004 1-19
103428501 16-3
103428601 16-3
103428701 16-3
103428801 16-3
103429001 16-3
103429101 16-3
103429201 16-3
103429301 16-3
103429501 16-3
103429601 16-3
103429701 16-3
103434001 16-3
103439901 16-3
103446601 13-43
103447901 1-19
103449501 13-45
103449601 13-45
103459101 2-3
103483102 4-5
103483201 4-5
103483401 4-5
103483601 4-5
103483701 4-5
103496801 6-25
103496901 13-11
103499101 16-3
103499102 16-3
103499103 16-3
103514801 13-19
103524501 9-7
103528701 4-9
103528702 4-9
103535001 4-9
103536501 6-17
103540101 1-13
103572501 14-5
103615001 14-5
103615601 8-9
103615701 8-9
103615801 8-13
103615901 8-11
103616201 8-13
103616301 8-9
103616401 8-11
103616501 8-5
103616601 8-5
103616701 8-5
103616801 8-5
103638601 5-17
103638701 5-17
103638702 5-17
103638801 5-17
103639401 13-41, 13-43
103647401 13-29, 13-31, 13-33, 13-35
103647402 13-29, 13-31, 13-33, 13-35
103647403 13-29, 13-31, 13-33, 13-35
103678001 1-13
103678101 1-13
103682701 13-7
103683101 13-7
103711001 5-17
103744901 13-7
103745001 13-7
103760701 4-13, 4-15, 4-17, 13-5
96704416 7-15, 8-15
- ## A
- A-arm, three-piece 5-15
absorber, front shock 5-11, 5-15
absorber, rear shock 5-19, 5-21, 5-23
AC cord 16-3, 16-5, 16-7, 16-9, 16-11, 16-13, 16-15
AC cord bushing 16-3, 16-5
AC cord receptacle 16-11
accelerator cable 9-11
accelerator pedal 4-11, 4-15, 4-17
accelerator pedal adjustment tool 17-3
accelerator pedal pad 4-11
access panel 1-23
adapter
 cable (IQDM) 17-5
 MCOR 13-7
adhesive, guide ring 17-3
adjuster, lash 7-11
air filter 9-13
air filter canister evacuation valve 9-13
air intake assembly 9-13
air intake cover 9-13
air intake hose 9-13
AM1220301 17-7
ammeter 16-3, 16-5, 16-7, 16-9, 16-11, 16-13, 16-15
arbor 17-3
arm
 governor 12-3
 pivot 12-3
 rocker 7-9, 8-9
armature 6-19, 14-3, 14-5
armature conversion kit 6-19
armrest 1-19, 1-29, 1-33, 1-35, 1-37
assembly
 armature 6-19
 axle 12-7
 brake lever 4-3, 4-5
 brush connector 6-19
 brush holder 6-19, 6-21
 carburetor 9-5
 connecting rod 7-13, 8-13
 cylinder head 7-9, 8-9
 drive hub 11-3
 driven clutch 11-5
 driven clutch fixed-face 11-5
 field coil 6-19
 float 9-5, 9-7
 frame and field (motor) 14-3, 14-5
 fuel tank vent 9-3
 governor 12-5
 idle screw 9-5, 9-7
 moveable-face 11-3, 11-5
 pilot air screw 9-5, 9-7
 plug cap 7-5, 8-5
 score card plate 5-5
 secondary clutch weight 11-3
axle 12-7, 15-3
axle shaft oil seal 12-7, 15-3
axle tube 15-3
- ## B
- backing plate, brake 4-3, 4-5
backrest 1-21, 1-29, 1-33, 1-35, 1-37
bag hoop 1-21
bag strap 1-21
bag strap buckle 1-21
ball bearing 5-9, 6-21, 7-11, 8-11
ball joint 5-9
ball stud 6-9
ball, shifter 12-5
ball, steel pressure relief 7-7, 8-7
band, RPM limiter mount 7-5
bar, drive 13-7
barb, vent 9-3
barrel, plastic 1-11, 1-21, 1-29, 1-31, 1-33, 1-35, 1-37, 4-11, 4-13, 4-15, 4-17, 13-33, 13-35
battery
 (gasoline vehicle) 6-25
 8-volt, T875 13-29, 13-33
 8-volt, Trojan T890 13-31, 13-35
battery bucket 13-27, 13-29, 13-31, 13-33, 13-35
battery cap, 6-volt 13-27
battery cap, 8-volt 13-29, 13-31, 13-33, 13-35
battery charger 16-3, 16-5, 16-7, 16-9, 16-11
battery charger case 16-5, 16-7, 16-9, 16-11, 16-13, 16-15
battery charger handle 16-5
battery charger transformer 16-5, 16-7, 16-9, 16-11, 16-13, 16-15
battery charger wire harness 13-11, 13-15, 13-19, 13-23
battery charger, onboard, 48-volt 16-13
battery charger, onboard, international 16-15
battery clamp 6-25
battery cross rod tube 13-27, 13-29, 13-31, 13-33, 13-35
battery discharge machine 17-3

INDEX

- battery hold-down 13-27, 13-29, 13-31, 13-33, 13-35
 - battery light 13-3
 - battery seperator 13-27
 - battery terminal protector spray 17-3
 - battery thermometer 17-3
 - battery, 12-volt, Trojan T1275, moist 13-27
 - battery, 12-volt, Trojan T1275, wet 13-27
 - bead, ferrite 13-45
 - bearing 15-3
 - ball 5-9, 6-21, 7-11, 8-11
 - ball (motor) 14-3, 14-5
 - idler 11-3
 - inner axle tube 12-7, 15-3
 - needle 12-5
 - outer axle tube 12-7
 - bearing and oil seal remover 17-3
 - bearing driver set 17-3
 - bearing puller 17-3
 - bearing puller wedge 17-3
 - beauty panel, front 1-5
 - beauty panel, rear 1-23
 - bellows, steering 5-9
 - belt, drive 11-3
 - belt, starter/generator 6-23, 11-3
 - belt, V 6-23, 11-3
 - bezel, FNR 6-9
 - body kick plate 1-15, 1-17
 - body, under 1-23
 - bolt
 - battery, "S" hold-down 13-27, 13-29, 13-31, 13-33, 13-35
 - bolt, U- 1-33, 1-35, 1-37, 5-23
 - boot, switch 13-25
 - bottom, seat 1-19
 - bracket
 - accelerator cable 9-11
 - adjustable starter/generator 6-23
 - canopy support 1-25, 1-27
 - equalizer 4-7, 4-9
 - governor cable 9-11
 - jounce bumper 1-33, 1-35, 1-37, 5-23
 - muffler mounting 10-3
 - oil filter mount 7-7, 8-7
 - oil level switch 7-11, 8-11
 - relay mounting 16-9, 16-13, 16-15
 - RPM limiter 7-5
 - seat hinge 1-19
 - shock absorber 5-19, 5-21, 5-23
 - shock mounting 5-19, 5-21, 5-23
 - snubber 7-15, 8-15
 - starter/generator mounting 6-23
 - throttle spring return 9-9
 - bracket, clamshell 1-11, 1-13
 - brake adjusting mechanism 4-3, 4-5
 - brake backing plate 4-3, 4-5
 - brake cable 4-7, 4-9
 - brake cable release tool 17-3
 - brake cluster 4-3, 4-5
 - brake drum 4-3, 4-5
 - brake lever 4-3, 4-5
 - brake pedal 4-11, 4-15, 4-17
 - brake pedal pad 4-11
 - brake return spring 4-11
 - brake rod 4-11, 4-13, 4-15, 4-17
 - brake self-adjusting mechanism 4-3, 4-5
 - brake shoe 4-3, 4-5
 - brake spring 4-3, 4-5
 - breaker, circuit 16-3, 16-5, 16-7, 16-9, 16-11, 16-13, 16-15
 - breather 12-3, 15-3
 - brow 1-5
 - brow cap 1-5
 - brush 14-3, 14-5
 - brush and screw set 6-19
 - brush box assembly 14-3, 14-5
 - brush connector 6-19
 - brush cover kit, starter/generator 6-19, 6-21
 - brush holder 6-19, 6-21
 - brush inspection port cover 6-19, 6-21
 - brush plate
 - starter/generator 6-19, 6-21
 - brush port cover 6-19
 - brush rigging 14-3, 14-5
 - brush spring 6-21, 14-3, 14-5
 - brush spring set 6-19, 6-21
 - brush spring, starter/generator 6-19, 6-21
 - brush terminal, starter/generator 6-19, 6-21
 - bucket, battery 13-27, 13-29, 13-31, 13-33, 13-35
 - buckle, bag strap 1-21
 - bumper 1-3
 - drive unit (motor) 14-3, 14-5
 - jounce 1-33, 1-35, 1-37, 5-23
 - jounce, bracket 1-33, 1-35, 1-37, 5-23
 - bushing 5-11, 5-13, 5-15, 5-17, 5-19, 5-21, 5-23, 11-3
 - AC cord 16-3, 16-5
 - button, drive 11-5
 - buzzer, reverse 6-3, 13-3
- ## C
- cable
 - accelerator 9-11
 - brake 4-7, 4-9
 - FNR shifter 6-9
 - governor 9-11
 - IQDM 17-5
 - cable support bracket 6-9
 - calibration test module 17-3
 - cam
 - driven clutch 11-5
 - neutral lockout 6-9
 - cam installation tool 17-3
 - camshaft 7-11, 8-11
 - camshaft shim 7-11, 8-11
 - canopy 1-25, 1-27
 - canopy bracket 1-23
 - canopy cover 1-7, 1-25, 1-27
 - canopy drain cover 1-25, 1-27
 - canopy handle 1-25, 1-27
 - canopy support 1-25, 1-27
- ## cap
- battery, 6-volt 13-27
 - battery, 8-volt 13-29, 13-31, 13-33, 13-35
 - dust 13-3
 - front hub 5-13, 5-17
 - fuel tank 9-3
 - key switch 6-3, 13-3
 - plug 7-5, 8-5
- ## cap, SAM 1-7
- ## Carburetor 9-7
- carburetor 9-5
 - carburetor gasket 9-9
 - carburetor insulator 9-9
 - carburetor mounting gasket 9-9
- ## card, safety first 17-7
- ## case
- battery charger 16-5, 16-7, 16-9, 16-11, 16-13, 16-15
 - differential gear 12-7
 - gear 12-3, 15-3
 - rocker 7-9
- ## case, charger 16-3
- CE mark battery bucket plug kit 13-33, 13-35
 - CE mark controller 13-41
 - CE mark decal 13-33, 13-35
 - CE mark diode, tow switch 13-11, 13-15
 - CE mark ferrite bead, Fair-rite 13-45
 - CE mark ferrite bead, TDK 13-45
 - charger bezel tool 17-3
 - charger board relay 16-3
 - charger case 16-3
 - charger hardware 16-3
 - charger legs 16-3
 - charger wires 16-3
 - charger, battery, onboard, 48-volt 16-13
 - charger, battery, onboard, international 16-15
 - charger, battery, PD2 16-5
 - charger, battery, PD3 16-3
 - charger, battery, PowerDrive 16-7
 - choke botton rod 1-15, 9-13
 - choke lever 1-15, 9-13
 - circuit breaker 16-3, 16-5, 16-7, 16-9, 16-11, 16-13, 16-15
- ## clamp
- battery 6-25
 - cable retaining 9-11

INDEX

hose 9-3, 9-9
leaf spring 5-13, 5-17
muffler hose 10-3
clamshell bracket 1-11, 1-13
clip, body trim 1-11, 1-13, 1-23
clip, score card 5-3, 5-5
cluster idler gear 12-5
cluster, brake 4-3, 4-5
clutch alignment tool 17-3
clutch pulley 11-3
clutch repair kit 11-5
clutch tool kit 17-3
clutch weight 11-3
clutch, drive 11-3
clutch, driven 11-5
coil, field 6-19
coil, ignition 7-5
collet 7-9, 8-9
column, steering 5-7
comfort grip steering wheel kit 5-3
communication display module 17-5
compression gauge 17-5
compression spring 1-15, 9-13
compressor, piston ring 17-7
compressor, valve spring 17-7
computer, v 3.0 onboard 13-41
computer, v 4.0 onboard 13-43
connecting rod 7-13, 8-13
connector tube, handrail 1-29, 1-33, 1-35, 1-37
connector, 9-pin 6-3, 6-7, 13-3
connector, a- 6-19
continuity tester 17-5
control arm
A-arm 5-11
control board 16-13, 16-15
controller mounting plate 13-41, 13-43
controller shield 13-41, 13-43
controller, motor speed 13-41
Excel 13-43
controller, motor speed (CE) 13-41
cord connector 7-11, 8-11
cord reel 16-13, 16-15
cord set, DC 16-3, 16-5
cord, AC 16-3, 16-5, 16-7, 16-9, 16-11, 16-13, 16-15
cord, DC 16-7, 16-9, 16-11, 16-13, 16-15
counterbalance guide shaft 7-13, 8-13
counterbalance weight 7-13, 8-13
coupler, SPWS 13-37, 13-39
cover
4-passenger underbody 1-29, 1-33, 1-35, 1-37
air intake 9-13
brush inspection port 6-19, 6-21
brush port 6-19
canopy drain 1-25, 1-27

crankcase 7-11, 8-11
dust 4-3, 4-5
oil pump 7-7, 8-7
steering column 5-3
cover plate 14-3, 14-5
crankcase 7-13, 8-13
crankcase cover 7-11, 8-11
crankcase vent tube 9-9
crankshaft 7-13, 8-11, 8-13
crankshaft rod 7-13, 8-11, 8-13
crankshaft shim 7-13, 8-13
current limiter 16-11
cushion, shock absorber 5-19, 5-21, 5-23
cutter, valve seat 17-7
cylinder head 7-9, 8-9

D

damper, RPM limiter 7-5
dash support assembly 5-11, 5-15
DC cord 16-7, 16-9, 16-11, 16-13, 16-15
DC cord set 16-3, 16-5
decal
battery tag 3-7
battery weight warning 3-7
CE mark 13-33, 13-35
Club Car clip 3-3
four-passenger warning 1-33, 1-35, 1-37, 3-9
frame ground warning 3-3
gas and governor warning 3-3
IR/Club Car 1-11
on/off 3-3, 3-5
operating instructions 3-3, 3-5, 5-3
operating instructions (electric) 3-5, 5-3
operating instructions (gas) 3-3, 5-3
private speed mode 3-5
rollover warning 3-3, 3-5
rotating parts 3-3
Run/Tow warning 3-7
warning 3-7
warning, battery weight 3-7
warning, Run/Tow 3-7
water exposure 3-7
DF-terminal insulator 6-19
differential drive unit 15-3
differential gear 12-7, 15-3
differential gear case 12-7
differential housing 15-3
differential idler gear 12-7
differential pin 12-7
diode, rectifier 16-5
diode, tow switch 13-11, 13-15
dipstick 7-3, 8-3
drain channel 1-9
drain plug 7-7, 8-7
drain plug gasket 7-7, 8-7, 12-3

drain plug, rubber 6-21
drive bar 13-7
drive belt 11-3
drive button 11-5
drive clutch 11-3
drive clutch button 11-3
drive clutch fixed-face 11-3
drive clutch holder tool 17-3
drive clutch hub puller 17-3
drive clutch puller 17-3
drive clutch spring 11-3
drive clutch weight 11-3
drive hub 11-3
drive unit bumper 14-3, 14-5
driven clutch 11-5
driven clutch button 11-5
driven clutch cam 11-5
driven clutch cam puller 17-3
driven clutch fixed-face assembly 11-5
driven clutch puller plug 17-3
driver, drive clutch 11-3
drum, brake 4-3, 4-5
dry moly lubricant 17-5
dust cap 13-3
dust cover 4-3, 4-5
dust seal 5-9

E

eccentric adjustment screw 5-13, 5-17
end bell, commutator 6-19
end bell, output shaft 6-19
end cap, motor 14-3, 14-5
end, tie rod 5-9
engine mounting plate 7-15, 8-15
engine shroud 7-3, 8-3
engine, FE350 S11 7-3
engine, FE350 S26 8-3
equalizer 4-7, 4-9
exhaust system 10-3
exhaust valve 7-9, 8-9

F

face, moveable 11-3, 11-5
fan housing 7-3, 8-3
fan shroud 7-3, 8-3
fan, flywheel 7-5, 8-5
fascia 1-5
ferrite bead (CE), Fair-rite 13-45
ferrite bead (CE), TDK 13-45
field coil 6-19
field coil housing 6-19, 6-21
fill plug 12-3
filter
air 9-13
fuel 9-3

INDEX

oil 7-7, 8-7
oil pump 7-7, 8-7
fixed-face, drive clutch 11-3
fixed-face, driven clutch 11-5
float 9-5, 9-7
floor cover plate 4-11, 4-13, 4-15, 4-17
floor mat 1-31, 1-33, 1-35, 1-37
floor mat 1-11, 1-13
floor mat retainer 1-11
flywheel 7-5, 8-5
flywheel fan 7-5, 8-5
flywheel fan plate 7-5, 8-5
flywheel puller 17-5
FNR bezel 6-9
FNR handle 6-9
FNR housing 13-25
FNR shift lever 12-3
FNR shifter 6-9
FNR shifter base 6-9
FNR shifter cable 6-9
foam tape 1-23
foot deck 1-31, 1-33, 1-35, 1-37
fork, shift 12-5
four-passenger conversion kit 1-33, 1-35, 1-37
frame and field assembly (motor) 14-3, 14-5
frame and field, starter/generator 6-19, 6-21
front body beauty panel 1-5
front leaf spring 5-13, 5-17
front suspension structure 5-11, 5-15
F-terminal hardware 6-19
f-terminal insulator 6-19
fuel filter 9-3
fuel line 9-3, 9-9
fuel pickup tube 9-3
fuel pump, impulse 9-3
fuel tank 9-3
fuel tank cap 9-3
fuel tank hold-down 9-3
fuel tank vent 9-3
fuse 16-7, 16-9, 16-11, 16-13, 16-15
 10-amp 6-25
 15-amp 13-25
 charger 16-3, 16-5
fuse cover, sealed 6-25

G

gasket 15-3
 air intake 9-13
 carburetor 9-9
 carburetor mounting 9-5, 9-7, 9-9
 crankcase cover 7-9, 7-11, 8-9, 8-11
 drain plug 7-7, 8-7, 12-3
 exhaust 7-9, 8-9, 10-3
 head 7-9, 8-9
 insulator 7-9, 8-9, 9-9
 liquid 12-3, 15-3, 17-5

rocker case 7-9, 8-9
gasket kit, FE350 7-9, 8-9
gauge, compression 17-5
gear
 case 12-3, 15-3
 cluster idler 12-5
 differential 12-7, 15-3
 differential idler 12-7, 15-3
 differential output 15-3
 helical 7-13, 8-11, 8-13, 12-5, 12-7
 spur 7-13, 8-11, 8-13, 12-5
 steering 5-9
 synchro 12-5
gear yoke 17-5
gearcase 15-3
governor 12-5
governor arm 12-3
governor cable 9-11
governor cable bracket 9-11
governor shaft installation tool 17-5
governor shield 9-9
grip, pencil 5-3, 5-5
grommet 9-3
grommet, ignition 8-5
guide
 intake valve 7-9, 8-9
 valve 7-9, 8-9
 valve seat cutter 17-7
guide ring adhesive 17-3

H

hand rail 1-31, 1-33, 1-35, 1-37
handle, battery charger 16-5
handle, FNR 6-9
handrail connector tube 1-29, 1-33, 1-35, 1-37
hardware kit, charger 16-3
hardware, F-terminal 6-19
harness, instrument panel 6-3, 6-7, 13-3
harness, MCOR jumper 13-7
harness, wire 6-13, 13-11, 13-15, 13-19, 13-23
harness, wire, battery charger 13-11, 13-15, 13-19, 13-23
head gasket 7-9, 8-9
head, cylinder 7-9, 8-9
heat shrink tube 16-13, 16-15
heatsink 16-5
heatsink and rectifier 16-3, 16-7, 16-9, 16-11, 16-13, 16-15
helical gear 7-13, 8-11, 8-13, 12-5, 12-7
hinge 13-27, 13-29, 13-31, 13-33, 13-35
hip restraint 1-19, 1-29, 1-33, 1-35, 1-37
hold-down, battery 13-27, 13-29, 13-31, 13-33, 13-35
hold-down, fuel tank 9-3
hoop, bag 1-21
hose, air intake 9-13

hose, fuel 9-3
hose, SPWS 13-37, 13-39
housing
 2-pin 13-7
 3-pin 13-7, 14-3, 14-5
 differential 15-3
 fan 7-3, 8-3
 field coil 6-19, 6-21
hub 5-13, 5-17
hub, synchronizer clutch 12-5
hubcap 5-13, 5-17
hydrometer 17-5

I

idle screw assembly 9-5, 9-7
idler bearing 11-3
idler gear, differential 15-3
ignition coil 7-5, 8-5
inner frame snubber 7-15, 8-15
input shaft 15-3
insert, synchronizer 12-5
instrument panel 6-3, 13-3
instrument panel harness 6-3, 6-7, 13-3
insulator gasket 7-9, 8-9, 9-9
insulator, carburetor 9-9
intake assembly 9-13
intake cover 9-13
intake hose 9-13
intake pipe 9-9
intake valve 7-9, 8-9
intermediate shaft 15-3
internal retaining ring pliers 17-5
IQ display module (IQDM) 17-5
IQ display module (IQDM-P) 17-5

J

J-clip 1-23, 1-31
jet, main 9-5, 9-7
jet, pilot 9-5, 9-7
joint
 ball 5-9
jounce bumper 1-33, 1-35, 1-37, 5-23
jounce bumper bracket 1-33, 1-35, 1-37, 5-23

K

key
 crankshaft 7-5, 7-13, 8-5, 8-11, 8-13
 driven clutch 11-5
 On/Off 6-3, 13-3
 square 11-5
 starter/generator 6-19
 woodruff 12-3
key switch 6-3, 13-3
key switch cap 6-3, 13-3
kick plate 1-15

INDEX

kick plate, body 1-15, 1-17
king pin 5-13, 5-17
kit
 2-pin housing 13-7
 3-pin housing 13-7, 14-3, 14-5
 brake cable 4-7, 4-9
 brake shoe retainer 4-3, 4-5
 CE battery bucket plug 13-33, 13-35
 clutch repair 11-5
 comfort grip steering wheel 5-3
 differential gear case 12-7
 drive clutch button 11-3
 drive clutch weight 11-3
 driven clutch button 11-5
 four-passenger 1-33, 1-35, 1-37
 front hub replacement 5-13, 5-17
 impulse fuel pump rebuild 9-3
 IQ display module (IQDM) 17-5
 IQ display module (IQDM-P) 17-5
 MCOR 13-7
 motor brush 14-3, 14-5
 motor brush spring 14-3, 14-5
 motor cover plate 14-3, 14-5
 motor speed sensor 14-3, 14-5
 motor terminal adapter (EJ8-4001A) 14-5
 motor terminal hardware 14-3, 14-5
 neutral lockout cam 6-9
 PD3 hardware 16-3
 PD3 wiring 16-3
 shock absorber 5-19, 5-21, 5-23
 shock absorber cushion 5-19, 5-21, 5-23
 shoe retainer 4-3, 4-5
 SPWS 13-37, 13-39
 tune-up 17-7

L

lash adjuster 7-11
L-bracket, motor 14-3
leaf spring 1-33, 1-35, 1-37, 5-13, 5-17, 5-19, 5-21, 5-23
legs, charger 16-3
lever
 change 12-3
 choke 1-15, 9-13
 transmission shift 12-3
light
 battery 13-3
 oil 6-3
limit switch 6-9
limiter
 current 16-11
 RPM 7-5
line, fuel 9-3, 9-9
liner, rear underbody 1-23
liquid gasket 12-3, 15-3, 17-5
low oil warning light 6-3

lubricant, dry moly 17-5
lubricant, moly-teflon 14-3, 14-5, 17-5
lug nut 2-3, 2-5
lug stud 5-13, 5-17, 12-7, 15-3

M

magnet, speed sensor 14-3, 14-5
main jet 9-5, 9-7
manifold, 4-valve 13-39
manifold, SPWS 13-37
mat, floor 1-11, 1-13, 1-31, 1-33, 1-35, 1-37
MCOR 13-7
MCOR adapter 13-7
mechanism, brake adjusting 4-3, 4-5
meter, volt ohm 17-7
module
 calibration test 17-3
 communication display 17-5
moly-teflon lubricant 17-5
motor
 48-volt IQ 14-3, 14-5
 motor brush kit 14-3, 14-5
 motor brush spring kit 14-3, 14-5
 motor bumper 14-3, 14-5
 motor end cap 14-3, 14-5
 motor L-bracket 14-3
 motor magnet, speed sensor 14-3, 14-5
 motor speed controller 13-41
 CE 13-41
 Excel 13-43
 motor speed sensor 14-3, 14-5
 motor speed sensor kit 14-3, 14-5
 motor terminal adapter kit (EJ8-4001A) 14-5
 motor terminal hardware kit 14-3, 14-5
 motor wire harness 13-11, 13-15, 13-19, 13-23
moveable-face 11-3, 11-5
muffler hose clamp 10-3

N

nameplate 1-5
needle bearing 12-5
neutral lockout cam 6-9
nozzle, main 9-5, 9-7
nut, lug 2-3, 2-5

O

oil filler tube 7-3, 8-3
oil filter 7-7, 8-7
oil filter mount bracket 7-7, 8-7
oil filter screen 7-11, 8-11
oil filter screen plate 7-11, 8-11
oil level sensor 7-11, 8-11
oil level switch bracket 7-11, 8-11
oil pump and rotor 7-7, 8-7
oil pump cover 7-7, 8-7

oil pump filter 7-7, 8-7
oil pump plate 7-7, 8-7
oil seal 7-9, 7-11, 7-13, 8-9, 8-11, 8-13, 12-3, 12-5
oil warning light, low 6-3
onboard computer (v 3.0) 13-41
onboard computer (v 4.0) 13-43
O-ring 7-3, 7-9, 7-11, 7-13, 8-3, 8-9, 8-11, 8-13, 13-37, 13-39

P

pad
 accelerator pedal 4-11
 brake pedal 4-11
 park brake pedal 4-11
paint, touch-up 17-5
paint, underbody (black) 17-5
paint, underbody (gray) 17-5
panel
 access 1-23
 front body beauty 1-5
 rear body beauty 1-23
 SAM 1-21
park brake pad 4-11
pedal assembly 4-11, 4-15, 4-17
pedal group 4-11, 4-15, 4-17
pedal spring kit 4-11
pencil grip 5-3, 5-5
pilot air screw assembly 9-5, 9-7
pilot jet 9-5, 9-7
pin
 bow tie locking 4-7, 4-9
 clevis 4-7, 4-9
 differential 12-7
 king 5-13, 5-17
 piston 7-13, 8-13
pinion, steering 5-9
pipe, intake 9-9
piston 7-13, 8-13
piston pin 7-13, 8-13
piston ring 7-13, 8-13
piston ring compressor 17-7
piston ring pliers 17-7
piston ring set 7-13, 8-13
pivot arm 12-3
plate
 backing (brake) 4-3, 4-5
 cover 14-3, 14-5
 engine mounting 7-15, 8-15
 floor cover 4-11, 4-13, 4-15, 4-17
 flywheel fan 7-5, 8-5
 kick 1-15
 oil filter screen 7-11, 8-11
 oil pump 7-7, 8-7
 score card 5-5
 thrust 12-5, 12-7

INDEX

plate, controller mounting 13-41, 13-43
pliers
 internal retaining ring 17-5
 piston ring 17-7
 retaining ring 17-7
plug
 drain 7-7, 8-7
 drive clutch 11-3
 driven clutch puller 17-3
 fill 12-3
 rubber drain 6-21
plug cap 7-5, 8-5
plug, spark 7-5, 8-5
pole set 6-19
press weldment 17-3
protector spray, battery terminal 17-3
puller
 bearing 17-3
 drive clutch 17-3
 drive clutch hub 17-3
 driven clutch cam 17-3
 flywheel 17-5
 seal 17-7
pulley
 clutch 11-3
 starter-generator 6-19, 6-21
 v-belt 6-19, 6-21
pump, impulse fuel 9-3
push rod 7-9, 8-9

R

rack and pinion 5-9
rack and pinion steering gear box 5-9
rack, steering 5-9
reamer, valve guide 17-7
rear body beauty panel 1-23
rear-facing seat 1-33, 1-35, 1-37
receptacle 13-27, 13-29, 13-31, 13-33, 13-35
receptacle, AC cord 16-11
rectifier diode 16-5
rectifier with heatsink 16-3, 16-7, 16-9, 16-11, 16-13, 16-15
reel cord 16-13, 16-15
regulator, voltage 6-25
relay 16-9, 16-11, 16-15
relay mounting bracket 16-9, 16-13, 16-15
relay, 48-volt 16-5
relay, charger board 16-3
remover, bearing and oil seal 17-3
resistor assembly 13-41, 13-43
restraint, hip 1-19, 1-29, 1-33, 1-35, 1-37
retainer
 brake shoe 4-3, 4-5
 floor mat 1-11
 shock absorber cushion 5-19, 5-21, 5-23
 spring (drive clutch) 11-3
 valve spring 7-9, 8-9
retaining ring pliers 17-7
return spring, brake 4-11
reverse buzzer 6-3, 13-3
ring
 piston 7-13, 8-13
 retaining 6-9, 11-3, 11-5
 snap 7-9, 7-13, 8-9, 8-13
 spiral backup 11-3
 synchronizer 12-5
Rivet, Removable 1-23
rocker arm 7-9, 8-9
rocker case 7-9, 8-9
rocker case gasket 7-9, 8-9
rocker shaft 7-9, 8-9
rocker switch 13-25
rod
 brake 4-11, 4-13, 4-15, 4-17
 connecting 7-13, 8-13
 crankshaft 7-13, 8-11, 8-13
 push 7-9, 8-9
 shift 12-5
rotor, oil pump and 7-7, 8-7
RPM limiter 7-5
RPM limiter bracket 7-5
RPM limiter damper 7-5
RPM limiter mount band 7-5

S

safety first card 17-7
SAM 1-21
SAM (structural accessory module) 1-21
SAM cap 1-7
SAM panel 1-21
score card clip 5-3, 5-5
score card holder 5-3
score card plate 5-3, 5-5
screen, oil filter 7-11, 8-11
screw, eccentric adjustment 5-13, 5-17
screw, valve clearance adjuster 17-7
seal
 dust 5-9
 lip 15-3
 oil 7-9, 7-11, 7-13, 8-9, 8-11, 8-13, 12-3, 12-5, 12-7, 15-3
seal puller 17-7
sealant 12-3, 15-3
seat
 spring 7-9, 8-9
 valve 7-7, 8-7
seat bottom 1-19, 1-29, 1-33, 1-35, 1-37
seat bracket 1-29, 1-33, 1-35, 1-37
sensor, motor speed 14-3, 14-5
sensor, oil level 7-11, 8-11
separator, battery 13-27
set, brush and screw 6-19
set, pole 6-19
shackle 5-19, 5-21, 5-23
shaft
 change 12-3
 counterbalance guide 7-13, 8-13
 input 15-3
 intermediate 15-3
 rocker 7-9, 8-9
 transmission 12-5
shield, controller 13-41, 13-43
shield, debris aux 4-11, 4-13, 4-15, 4-17
shield, debris primary 4-11, 4-13, 4-15, 4-17
shield, governor 9-9
shift fork 12-5
shift lever 12-3
shift rod 12-5
shifter, FNR 6-9
shim, camshaft 7-11, 8-11
shim, crankshaft 7-13, 8-13
shock absorber (front) 5-11, 5-15
shock absorber (rear) 5-19, 5-21, 5-23
shock absorber cushion 5-19, 5-21, 5-23
shock absorber cushion retainer 5-19, 5-21, 5-23
shock mounting bracket 5-19, 5-21, 5-23
shoe retainer kit 4-3, 4-5
shoe, brake 4-3, 4-5
shroud 7-3, 8-3
 steering column 5-3
shroud, engine 7-3, 8-3
shroud, fan 7-3, 8-3
sleeve 5-11, 5-13, 5-15, 5-17, 5-19, 5-21, 5-23
 governor 12-5
 synchronizer 12-5
snap ring 7-9, 7-13, 8-9, 8-13
snubber bracket 7-15, 8-15
snubber, inner frame 7-15, 8-15
solenoid, 12-volt 6-25
solenoid, 48-volt 13-41, 13-43
spark plug 7-5, 8-5
speed controller 13-41
 CE 13-41
 Excel 13-43
speed sensor 14-3, 14-5
speed sensor magnet 14-3, 14-5
speed sensor, motor 14-3, 14-5
spindle 5-13, 5-17
spiral backup ring 11-3
spray, battery terminal protector 17-3
spring
 brake 4-3, 4-5
 brake return 4-11
 brush 6-19, 6-21, 14-3, 14-5
 compression 1-15, 5-3, 5-5, 9-13
 drive button 11-3
 drive clutch 11-3

INDEX

- driven clutch 11-5
 - forward/reverse cam 6-9
 - leaf 1-33, 1-35, 1-37, 5-13, 5-17, 5-19, 5-21, 5-23
 - pawl return 4-11
 - shifter 12-5
 - synchronizer 12-5
 - throttle return 9-9
 - valve 7-9, 8-9
 - spur gear 7-13, 8-11, 8-13, 12-5
 - SPWS coupler 13-37, 13-39
 - SPWS fitting, swivel T 13-37, 13-39
 - SPWS hose 13-37, 13-39
 - SPWS kit 13-37, 13-39
 - SPWS manifold 13-37, 13-39
 - SPWS tubing 13-37, 13-39
 - stand-offs, plastic 16-3
 - starter/generator (bi-rotational) (model 114-01-4005) 6-21
 - starter/generator (cw) (model G425419) 6-19
 - starter/generator belt 6-23, 11-3
 - starter/generator brush cover kit 6-19, 6-21
 - starter/generator brush plate 6-19, 6-21
 - starter/generator brush spring 6-19, 6-21
 - starter/generator brush terminal 6-19, 6-21
 - starter/generator frame and field 6-19, 6-21
 - starter/generator pulley 6-19, 6-21
 - steel pressure relief ball 7-7, 8-7
 - steering column 5-7
 - steering column bearing press tool 17-7
 - steering column cover 5-3
 - steering column retaining ring tool 17-7
 - steering column shroud 5-3
 - steering gear 5-9
 - steering pinion 5-9
 - steering rack 5-9
 - steering wheel 5-3, 5-5
 - steering wheel (comfort grip) kit 5-3
 - steering wheel puller tool 17-7
 - steering, rack and pinion gear box 5-9
 - stem, valve 2-3, 2-5
 - stiffener, flywheel side 7-15, 8-15
 - stiffener, PTO side 7-15, 8-15
 - strap, bag 1-21
 - stud 7-15, 8-15
 - lug 5-13, 5-17, 12-7, 15-3
 - stud, ball 6-9
 - support, 4-passenger seat 1-29, 1-33, 1-35, 1-37
 - support, canopy 1-25, 1-27
 - suppressor, voltage 16-7, 16-9, 16-11, 16-13, 16-15
 - suspension, front structure 5-11, 5-15
 - switch
 - limit 6-9
 - rocker 13-25
 - Tow/Run 13-25
 - switch rubber boot 13-25
 - synchro gear 12-5
 - synchronizer clutch hub 12-5
 - synchronizer insert 12-5
 - synchronizer sleeve 12-5
 - synchronizer spring 12-5
- ## T
- 12-volt solenoid 6-25
 - tachometer 17-7
 - tag, battery warning 3-7
 - tank, fuel 9-3
 - tape, foam 1-23
 - tappet 8-11
 - tester, continuity 17-5
 - thermometer, battery 17-3
 - three-piece A-arm 5-15
 - throttle device
 - MCOR 13-7
 - throttle sensor, elec 13-5
 - throttle return spring 9-9
 - throttle sensor, elec 13-5
 - throttle spring return bracket 9-9
 - throttle, gas, Gen2, no sensor 4-15, 4-17
 - throttle, gas, Gen2, triac, sensor 4-13
 - thrust plate 12-5, 12-7
 - tie rod end 5-9
 - tie wrap 13-29, 13-31, 13-33, 13-35, 13-45, 16-13, 16-15
 - tire 2-3
 - tire, pro tour, 205-50 x 10 2-5
 - tool
 - accelerator pedal adjustment 17-3
 - belt tensioning, starter/generator 17-7
 - brake cable release 17-3
 - cam installation 17-3
 - charger bezel 17-3
 - clutch alignment 17-3
 - drive clutch holder 17-3
 - governor shaft installation 17-5
 - steering column bearing press 17-7
 - steering column retaining ring 17-7
 - steering wheel puller 17-7
 - transaxle axle seal 17-7
 - transaxle pinion seal 17-7
 - transmission 17-7
 - tool kit, clutch 17-3
 - touch-up paint 17-5
 - tow switch diode 13-11, 13-15
 - Tow/Run switch 13-25
 - transaxle (Electric Vehicle) 15-3
 - transaxle axle seal tool 17-7
 - transaxle housing 15-3
 - transaxle pinion seal tool 17-7
 - transaxle, unitized 12-3
 - transformer 16-3
 - transformer, battery charger 16-5, 16-7, 16-9, 16-11, 16-13, 16-15
 - transmission shaft 12-5
 - transmission tool 17-7
 - tube
 - axle 15-3
 - battery cross rod 13-27, 13-29, 13-31, 13-33, 13-35
 - crankcase vent 9-9
 - fuel pickup 9-3
 - oil filler 7-3, 8-3
 - tubing, SPWS 13-37, 13-39
 - Tuflok 1-23
 - tune-up kit 17-7
- ## U
- U-bolt 1-33, 1-35, 1-37, 5-19, 5-21, 5-23
 - underbody 1-23
 - underbody cover 1-29, 1-33, 1-35, 1-37
 - underbody cover kit 1-7
 - underbody, rear 1-23
 - unitized transaxle 12-3
- ## V
- valve
 - exhaust 7-9, 8-9
 - intake 7-9
 - reed 7-9, 8-9
 - valve clearance adjuster screw 17-7
 - valve guide 7-9, 8-9
 - valve guide reamer 17-7
 - valve guide, intake 7-9, 8-9
 - valve seat 7-7, 8-7
 - valve seat cutter 17-7
 - valve seat cutter guide 17-7
 - valve seat t-wrench 17-7
 - valve spring 7-9, 8-9
 - valve spring compressor 17-7
 - valve spring retainer 7-9, 8-9
 - valve stem 2-3, 2-5
 - v-belt 6-23, 11-3
 - vent barb 9-3
 - volt ohm meter 17-7
 - voltage regulator 6-25
 - voltage suppressor 16-7, 16-9, 16-11, 16-13, 16-15
- ## W
- warning light, low oil 6-3
 - warning tag, battery 3-7
 - wedge, bearing puller 17-3
 - weight
 - clutch 11-3

INDEX

counterbalance 7-13, 8-13
secondary clutch 11-3
weldment
 press 17-3
wheel 2-3, 2-5
wheel, steering 5-3, 5-5
wire harness 6-13, 13-11, 13-15, 13-19, 13-23
wire harness, battery charger 13-11, 13-15,
 13-19, 13-23
wire harness, Excel, MCOR 13-23
wire harness, Excel, throttle sensor 13-19
wire harness, IQ, MCOR 13-15
wire harness, IQ, throttle sensor 13-11
wire lead, ignition 8-5
wiring, charger 16-3
woodruff key 12-3
wrap, tie 13-29, 13-31, 13-33, 13-35, 13-45,
 16-13, 16-15

Y

yoke support 5-9
yoke, gear 17-5



Club Car, Inc.
P.O. Box 204658
Augusta, GA 30917-4658
USA

Web www.clubcar.com
Phone 1.706.863.3000
1.800.ClubCar
Int'l +1 706.863.3000
Fax 1.706.863.5808