



ELECTRIC POWERED GOLF CAR

SERVICE PARTS MANUAL



SERVICE PARTS MANUAL

**ELECTRIC POWERED GOLF
CARS**

MODEL YEAR: 1992

MANUAL NO. 27148-G01 ISSUED 9/05/91

GOLF CARS

X-440

X-444

X-444F (FREEDOM)

SERVICE PARTS DEPARTMENT PHONE 1-800-227-7029 FAX 1-800-752-6175
E-Z-GO DIVISION OF TEXTRON, INC., P.O. BOX 388, AUGUSTA, GEORGIA 30913-2699, 1-800-241-5855

LIMITED WARRANTY

WARRANTY

TO OBTAIN A COPY OF THE LIMITED WARRANTY THAT IS APPLICABLE TO YOUR VEHICLE, CALL OR WRITE YOUR LOCAL DISTRIBUTOR, BRANCH, OR E-Z-GO WARRANTY DEPARTMENT.

THE USE OF NON E-Z-GO PARTS MAY VOID YOUR WARRANTY

OVERFILLING OF BATTERIES MAY VOID YOUR WARRANTY

TAMPERING WITH OR ADJUSTING OF GOVERNOR TO PERMIT THE VEHICLE TO OPERATE AT ABOVE FACTORY SETTINGS (12 M.P.H.) WILL VOID YOUR VEHICLE WARRANTY.

CONTENT

SECTIONS	Page No.
How to use the E-Z-GO Service Parts Manual	vi

ILLUSTRATION

Illustration	Page No.
ACCELERATOR AND HILL BRAKE LINKAGE	A-1
Accelerator Pedal	
Accelerator Rod	
ACCELERATOR SWITCH	B-1
Accelerator Switch Wire Vharness	
Brush and Lead Assembly	
Contact Board Assembly	
BATTERY CHARGER, 36 VOLTS (U.L.)	C-1
BODY AND ASSOCIATED PARTS	D-1
Bagwell	
Battery Racks	
Center Console	
Floorboard	
Direction Selector Indicator	
Hip Handhold	
Seat Wrap	
Vinyl Bumper Body Trim	
BRAKE LINKAGE	E-1
Brake Linkage Assembly	
Brake Pedal Assembly	
Compensating Link Assembly	
DIRECTION SELECTOR	F-1
Buzzer	
Contact Board Assembly	
Switch Handle Kit	
Micro Switch	
FORK ASSEMBLY	G-1
Fork	
Shock Absorber	
Coil Spring	
Front Axle	
Hub Assembly	
FOUR WHEEL FRONT SUSPENSION	H-1
Front Axle Assembly	
Hub Assembly	
Idler Assembly	

CONTENT

Illustration	Page No.
Leaf Springs	
Spindle Assembly	
Tie Rod Assembly	
FRONT SHIELD	J-1
HORN AND ACCESSORY WIRING	K-1
Headlamp	
Horn	
Rear Lamp Assembly	
State of Charge Meter	
Turn Signal Assembly	
Wire Harness	
MOTOR	L-1
POWER WIRING	M-1
Charger Wiring Harness	
Control Wiring Harness	
Direction Selector Lever Wiring Harness	
Ignition Switch Kit	
REAR AXLE	N-1
Rear Axle Assembly	
Rear Axle Shaft	
Vent Valve	
REAR SUSPENSION COMONENTS	O-1
Leaf Springs	
Shock Absorber	
Spring Shackle	
RESISTOR COIL AND HOUSING	P-1
Resistor Board Assembly	
Resistor Coil Assembly	
Resistor Coil Retro-Fit Kit	
SOLID STATE CONTROL MODULE	R-1
Control Rod	
Electronic Speed Control Assembly	
Solenoid	
Speed Control Cover	
Mounting Assembly	
SEATING	S-1
STEERING	T-1
Rack and Rod Assembly	
Scorecard Holder Assembly	
Steering Unit Assembly	
Steering Wheel	

CONTENT

Illustration	Page No.
WHEEL BRAKE	U-1
Brake Assembly	
Brake Drum Assembly	
Brake Shoe Set	
Lug Bolt	
WHEELS AND TIRES	V-1
Tire	
Tire and Wheel Rim Assembly	
Valve Stem	
Wheel Rim	
APPENDIX	
SERVICE ACCESSORIES AND SPECIAL TOOLS	Appendix-1

HOW TO USE THE E-Z-GO SERVICE PARTS MANUAL

This manual is divided into several sections:

1. GENERAL INFORMATION
2. ILLUSTRATED PARTS BREAKDOWN FOR 2-CYCLE GASOLINE POWERED GOLF CARS
3. APPENDIX

The first section, **GENERAL INFORMATION**, contains the following informations:

1. WARRANTY INFORMATION
2. GENERAL INDEX
3. HOW TO USE THE E-Z-GO SERVICE PARTS MANUAL

The second section, **ILLUSTRATED PARTS BREAKDOWN (IPB) FOR 2-CYCLE GASOLINE POWERED GOLF CARS**, contains illustrations and parts lists for all systems of the 2-cycle gasoline powered golf cars.

The third section, **SERVICE ACCESSORIES AND SPECIAL TOOLS**, contains a listing of E-Z-GO service accessories and special tools that may be purchased from the company to aid in the servicing of the vehicle.

USE OF THE MANUAL

To use this manual, consult the **GENERAL INDEX** (located in the first section) to locate the information or illustration required.

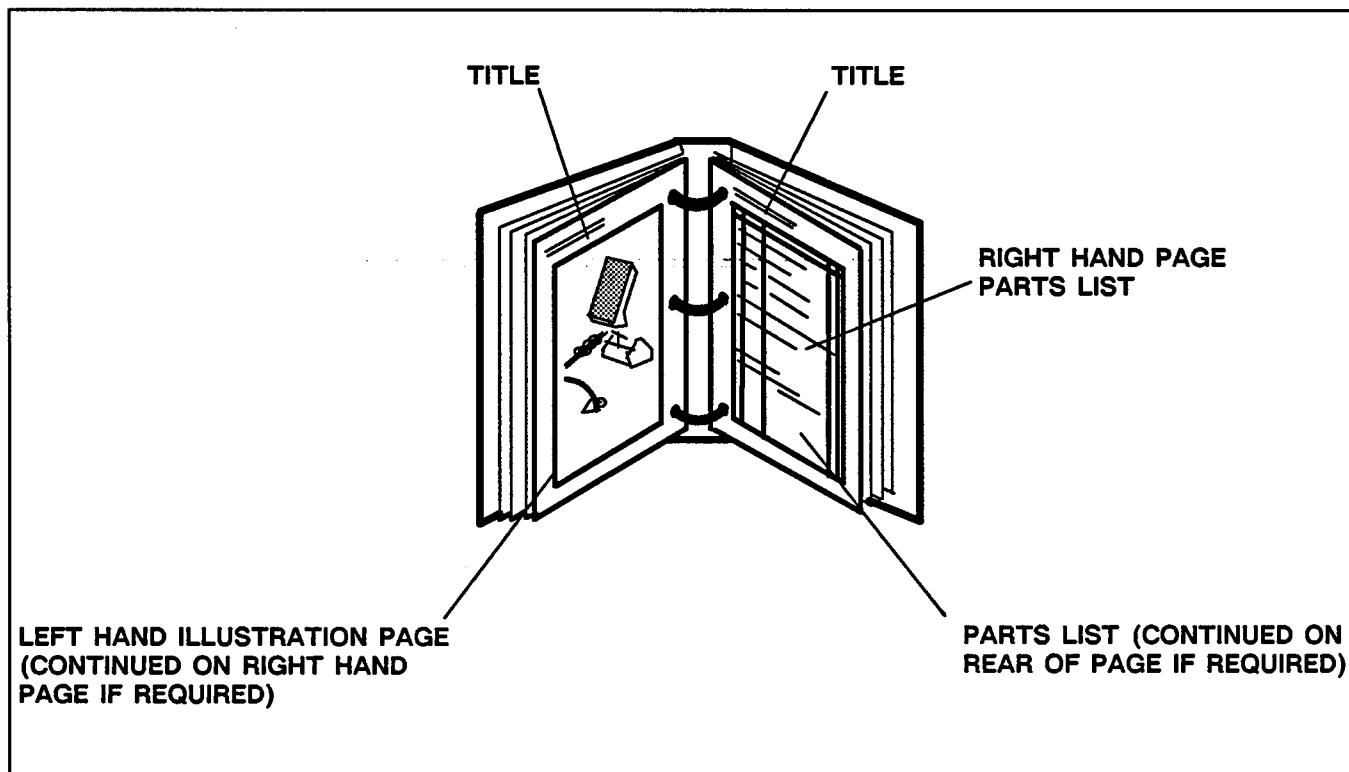
Introduction of some revisions varies due to supply of components; therefore, it is possible that various combinations of components may be found that are not directly reflected by each illustration. Consult the illustration that best suits your situation and contact the Service Parts Department. It is important that the serial number of your vehicle and its model number be supplied to Service Parts when ordering any replacement components.

Locate the serial number plate (see Body and Associated Parts located in the IPB section of this manual for its location) and note the complete number shown on the plate.

Each system is listed in the index and has an alphabetical prefix. The illustration always appears first and is followed by its related parts list. Additional illustrations and parts lists with the same prefix indicate significant changes that have taken place since the last issue.

Note that many alphabetical prefixes are omitted. These prefixes have been assigned to systems that are not relevant to your vehicle. The index lists all relevant sections that pertain to your vehicle.

HOW TO USE THE E-Z-GO SERVICE PARTS MANUAL



1. WHEN THE PART NUMBER IS *NOT* KNOWN.

- a. Determine the function and application of the part required. Turn to the General Index and select the most appropriate title.
- b. Turn to the page number indicated and locate the desired part on the illustration.
- c. From the illustration, obtain the item number assigned to the desired part. Refer to the accompanying description for specific information regarding the part.

2. IF YOU KNOW THE PART NUMBER.

Locate the part number or description in the appropriate column on the parts list page.

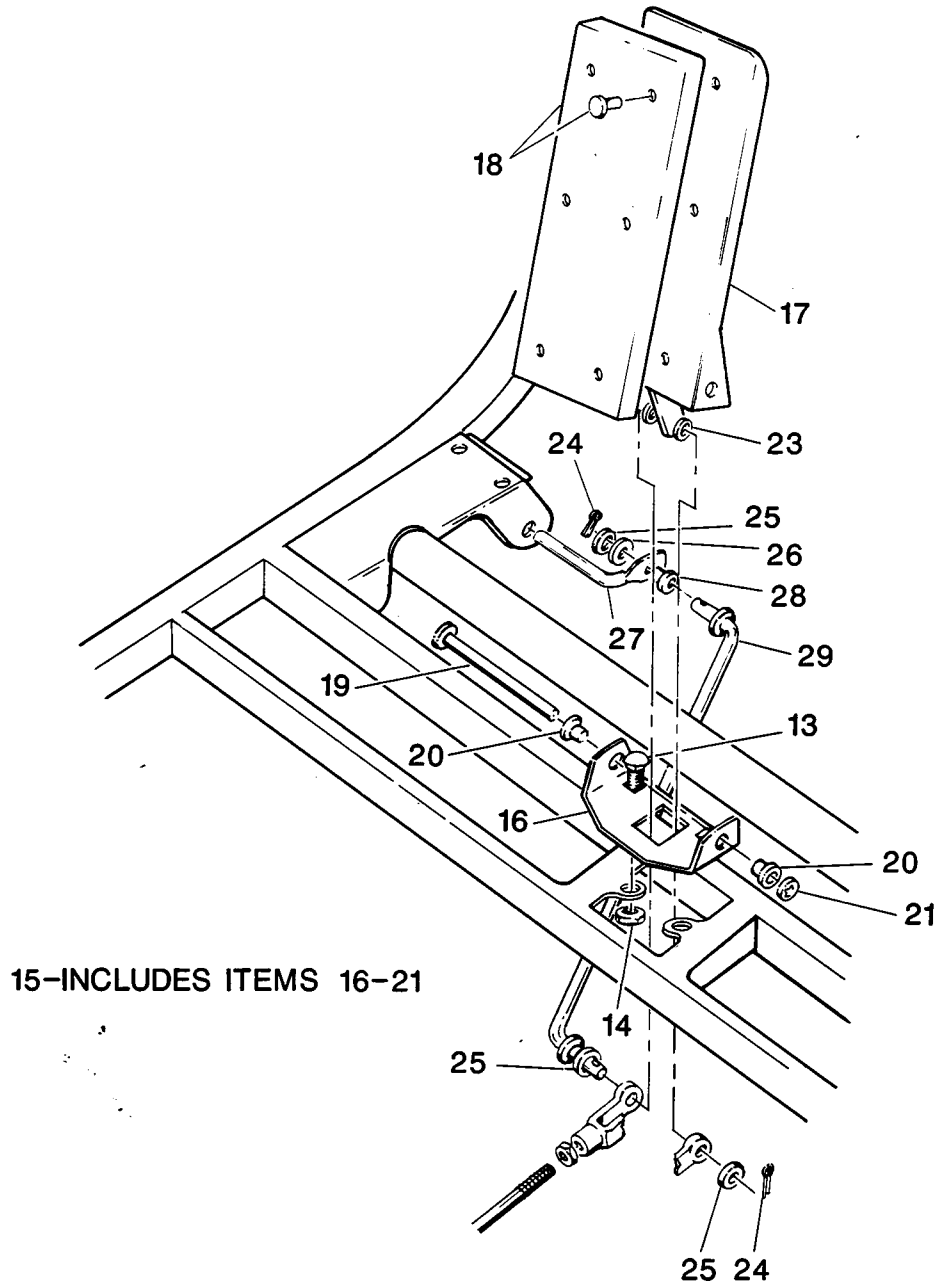
NOTE: It is suggested that you confirm that the part selected is correct by verifying it with the pictorial representation on the illustration page.

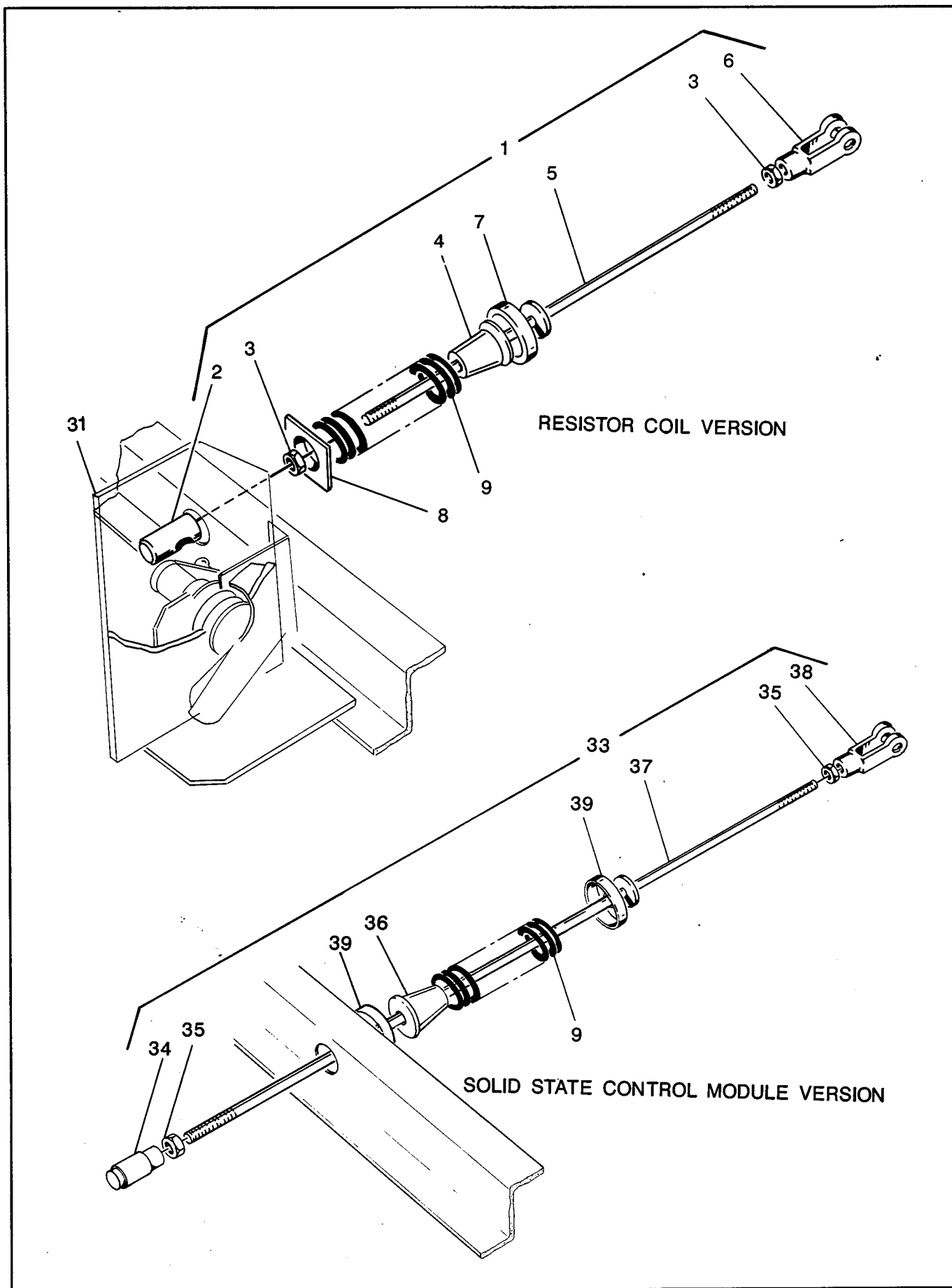
Should an asterisk(*) appear in the part number column on the parts list page, read upwards until a part number is found. The part number is the *lowest* assembly sold by E-Z-GO and the asterisk (*) indicates that the part depicted is not available for sale by E-Z-GO.

NOTE: Descriptions are *indented* under the assembly that they are used on. That assembly is, in turn, listed under the assembly that it is used on. This process is repeated until the highest or *final assembly* is reached.

To facilitate the maintenance and repair of vehicle, an Operation and Service Manual is available from the E-Z-GO Service Parts Department.

**ILLUSTRATED PARTS BREAKDOWN
ELECTRIC POWERED GOLF CARS**





ACCELERATOR AND HILL BRAKE LINKAGE

ELECTRIC POWERED VEHICLE

THE USE OF NON U.L. PARTS WILL VOID ANY U.L. LISTING.

When ordering parts, please specify the model and serial number of the product.

* Indicates a component that is not available as an individual part.

ITEM	PART NO.	1	2	3	4	5	DESCRIPTION	3 WHEEL	4 WHEEL
								QTY	QTY
1	18043-G1						ACCELERATOR ROD ASSEMBLY (INCLUDES ITEMS 2 - 7)	1	1
2	14444-G3						BALL JOINT, SOCKET	1	1
3	00544-G4						NUT, 5/16 - 24	2	2
4	17979-G1						BUSHING, ACCELERATOR ROD	1	1
5	19710-G1						ACCELERATOR ROD	1	1
6	10385-G4						CLEVIS YOKE	1	1
7	17677-G1						RETAINER, SPRING	2	2
8	18034-G1						RETAINER, SPRING	1	1
9	17675-G1						SPRING, COMPRESSION	1	1
10									
11									
12									
13	00414-G6						SCREW, 1/4 - 20 X 3/4 LG.	2	2
14	11027-G2						NUT, LOCK, 1/4 - 20	2	2
15	18083-G1						ACCELERATOR PEDAL ASSEMBLY (INCLUDES ITEMS 16 - 21)	1	1
16	12511-G1						BASE PLATE, ACCELERATOR	1	1
17	18084-G1						PEDAL, ACCELERATOR	1	1
18	15827-G1						ACCELERATOR PEDAL, PAD KIT (INCLUDES RIVETS)	1	1
19	12512-G1						PIN, ACCELERATOR PEDAL	1	1
20	12513-G1						BEARING, PLASTIC	2	2
21	12064-G2						NUT, PUSH	1	1
22									
23	17255-G1						WASHER, TEFLON	2	2
24	10387-G3						COTTER PIN, 3/16 X 3/4 LG.	2	2
25	00559-G8						WASHER, FLAT, 5/16	2	2
26	20835-G1						WASHER, NYLON	1	1
27	19708-G1						ARM, PIVOT	1	1
28	17838-G1						BUSHING, NYLINER	1	1
29	24030-G1						ROD, LINKAGE	1	1
30									
31	XXXX-XX						ACCELERATOR SWITCH ASSEMBLY (SEE ACCELERATOR SWITCH ASSEMBLY ILLUSTRATION	1	1
32									
33	25780-G1						ACCELERATOR ROD ASSEMBLY, SOLID STATE CONTROL MODULE ONLY (INCLUDES ITEMS 34-39)	1	1

ACCELERATOR AND HILL BRAKE LINKAGE

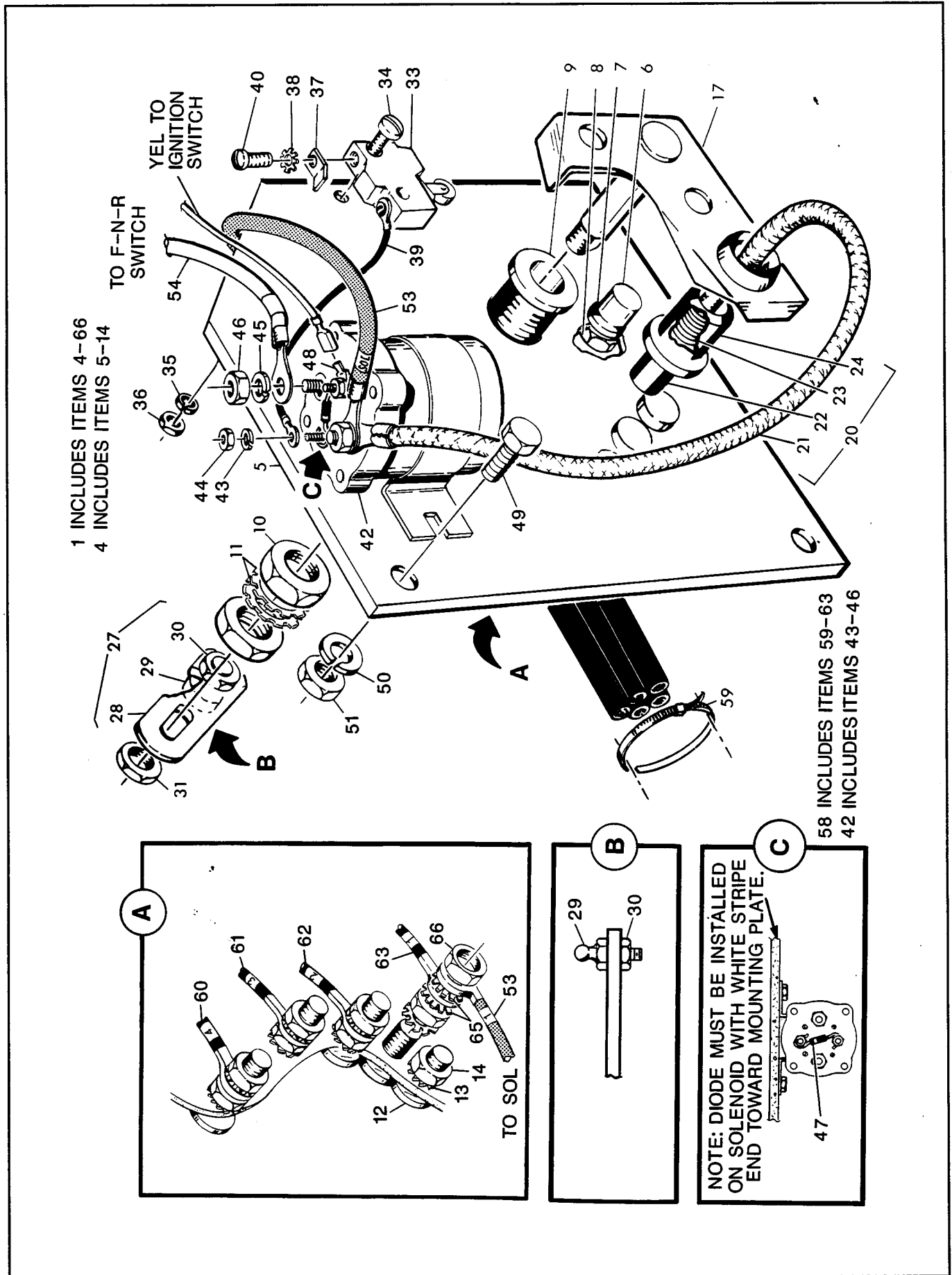
ELECTRIC POWERED VEHICLE

THE USE OF NON U.L. PARTS WILL VOID ANY U.L. LISTING.

When ordering parts, please specify the model and serial number of the product.

* Indicates a component that is not available as an individual part.

ITEM	PART NO.	1	2	3	4	5	DESCRIPTION	3 WHEEL	4 WHEEL
								QTY	
34	14444-G3						BALL JOINT, SOCKET	1	1
35	00544-G4						NUT, 5/16-24	2	2
36	17979-G1						BUSHING, ACCELERATOR ROD	1	1
37	19710-G1						ACCELERATOR ROD	1	1
38	10385-G4						CLEVIS YOKE	1	1
39	17677-G1						RETAINER, SPRING'	1	1



ACCELERATOR SWITCH ASSEMBLY

ELECTRIC POWERED VEHICLE

THE USE OF NON U.L. PARTS WILL VOID ANY U.L. LISTING.

When ordering parts, please specify the model and serial number of the product.

* Indicates a component that is not available as an individual part.

3 WHEEL	4 WHEEL
---------	---------

ITEM	PART NO.	1	2	3	4	5	DESCRIPTION	QTY	
								3 WHEEL	4 WHEEL
1	20467-G2						ACCELERATOR SWITCH ASSEMBLY, HEAVY DUTY (INCLUDES ITEMS 4 - 66)	1	1
2									
3									
4	18741-G1						CONTACT BOARD ASSEMBLY (INCLUDES ITEMS 5 - 14)	1	1
5	*						PLATE, ACCELERATOR	1	1
6	17491-G1						STUD, STOP	1	1
7	00560-G1						WASHER, 3/8	1	1
8	14390-G1						NUT, LOCK, 3/8 - 24	1	1
9	11902-G1						BUSHING, SHAFT	1	1
10	00545-G8						NUT, 3/4 - 16	2	2
11	00568-G6						WASHER, LOCK, EXTERNAL TOOTH, 3/4	2	2
12	*						STUD, CONTACT	5	5
13	*						WASHER, LOCK, EXTERNAL TOOTH, 5/16	5	5
14	*						NUT, 5/16 - 24	5	5
15									
16									
17	17973-G1						SHAFT AND ARM ASSEMBLY	1	1
18									
19									
20	17504-G2						BRUSH AND LEAD ASSEMBLY (INCLUDES ITEMS 21 - 24)	1	1
21	*						TERMINAL, RING, #6 X 5/16	1	1
22	*						COPPER BRUSH WITH LEAD	1	1
23	*						SPRING, ARM CONTACT	1	1
24	*						HOLDER, BRUSH	1	1
25									
26									
27	17663-G1						PIVOT ARM ASSEMBLY (INCLUDES ITEMS 28 - 30)	1	1
28	17655-G1						ARM, ACCELERATOR LINKAGE	1	1
29	15944-G3						BALL, BALL JOINT	1	1
30	11098-G9						NUT, LOCK, 5/16 - 24	1	1
31	11098-G3						NUT, LOCK, 1/2 - 20	1	1
32									
33	10606-G2						SWITCH, MICRO	1	1
34	00139-G2						SCREW, #6 - 32 X 1 1/4 LG.	2	2

ACCELERATOR SWITCH ASSEMBLY

ELECTRIC POWERED VEHICLE

THE USE OF NON U.L. PARTS WILL VOID ANY U.L. LISTING.

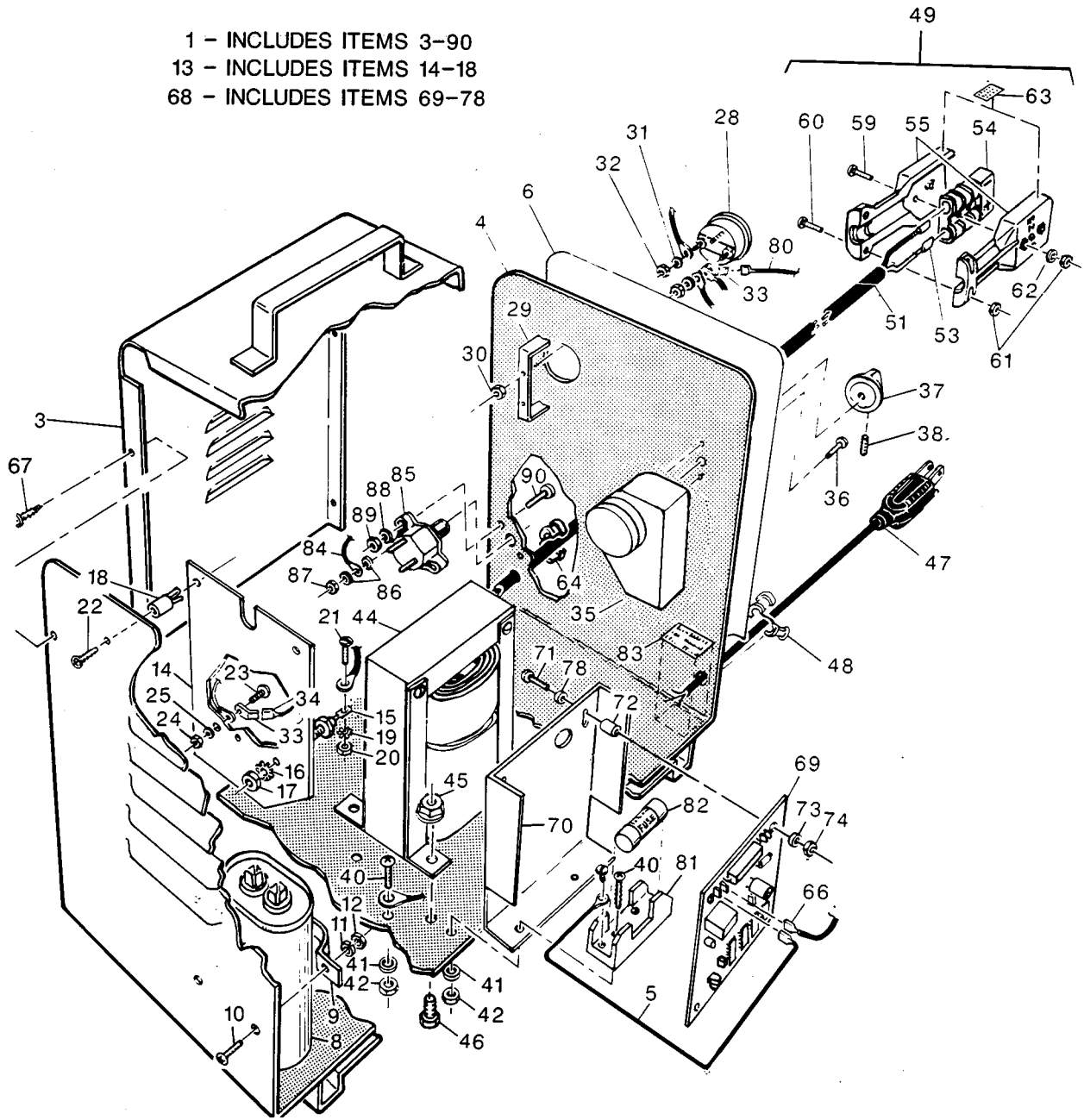
When ordering parts, please specify the model and serial number of the product.

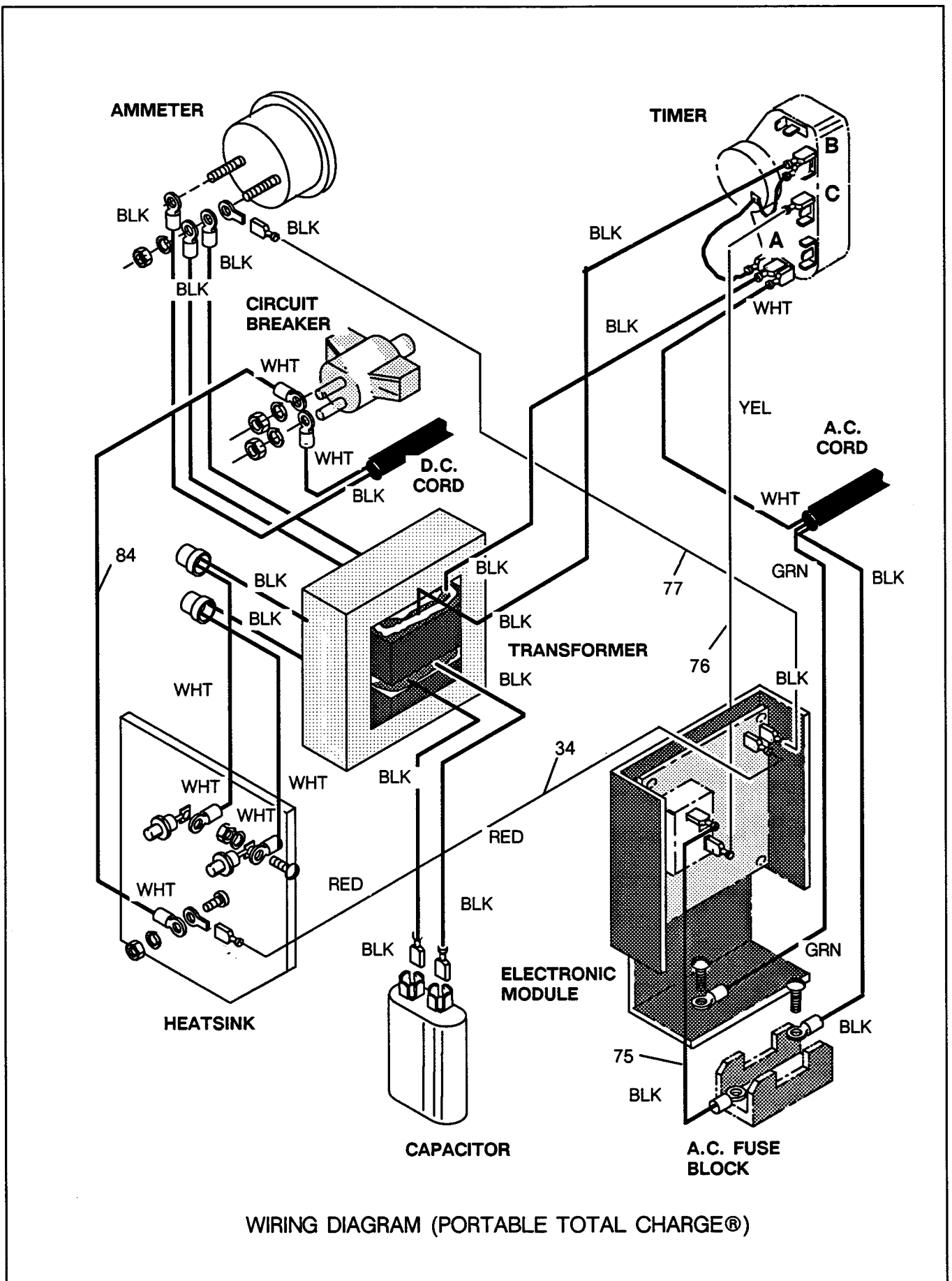
* Indicates a component that is not available as an individual part.

3 WHEEL	4 WHEEL
---------	---------

ITEM	PART NO.	1	2	3	4	5	DESCRIPTION	QTY	
35	00565-G3						WASHER, LOCK, #6	2	2
36	00525-G5						NUT, #6 - 32	2	2
37	14628-G1						FASTON TAB	1	1
38	00567-G4						WASHER, LOCK, EXTERNAL TOOTH, #8	1	1
39	20464-G1						WIRE, BLACK	1	1
40	13514-G1						SCREW, BRASS, #8	2	2
41									
42	20468-G1						SOLENOID, 36 VOLT, HEAVY DUTY (INCLUDES ITEMS 43 - 46) ...	1	1
43	00565-G5						WASHER, LOCK, #10	2	2
44	00526-G4						NUT, #10 - 32	2	2
45	00565-G8						WASHER, LOCK, #10 - 32	2	2
46	00544-G4						NUT, 5/16 - 24	2	2
47	30353-G1						DIODE	1	1
48	12914-G1						FASTON TAB	1	1
49	00414-G6						SCREW, 1/4 - 20 X 3/4 LG.	2	2
50	00565-G7						WASHER, LOCK, 1/4	2	2
51	00532-G1						NUT, 1/4 - 20	2	2
52									
53	17965-G1						WIRE, LO SPEED, SOLENOID	1	1
54	13493-G1						WIRE, SOLENOID, F-N-R SWITCH	1	1
55									
56									
57									
58	18902-G1						WIRE HARNESS, ACCELERATOR SWITCH ASSEMBLY (INCLUDES ITEMS 59 - 63)	1	1
59	17618-G1						CLAMP, NYLON	4	4
60	18897-G5						WIRE, #4	1	1
61	18897-G4						WIRE, #3	1	1
62	18897-G2						WIRE, #2	1	1
63	18897-G1						WIRE, #1	1	1
64									
65	00567-G8						WASHER, LOCK, EXTERNAL TOOTH, 5/16	5	5
66	00544-G4						NUT, 5/16 - 24	4	4

- 1 - INCLUDES ITEMS 3-90
- 13 - INCLUDES ITEMS 14-18
- 68 - INCLUDES ITEMS 69-78





BATTERY CHARGER, TOTAL CHARGE®

ELECTRIC POWERED VEHICLE

THE USE OF NON U.L. PARTS WILL VOID ANY U.L. LISTING.

When ordering parts, please specify the model and serial number of the product.

* Indicates a component that is not available as an individual part.

ITEM	PART NO.	1	2	3	4	5	DESCRIPTION	QTY	
								3 WHEEL	4 WHEEL
1	20484-G01						BATTERY CHARGER, 36V, 10 FT. D.C. CORD (INCLUDES ITEMS 3 - 90)	1	1
2									
3	19096-G1						TOP COVER	1	1
4	24919-G1						CHASSIS	1	1
5									
6	*						LABEL, OPERATING INSTRUCTIONS (SERIALIZED)	1	1
7									
8	17077-G1						CAPACITOR (INCLUDES ITEM 9)	1	1
9	11559-G1						BRACKET, CAPACITOR	1	1
10	00372-G4						SCREW, #8 - 32 X 1/2 LG.	2	2
11	00565-G4						WASHER, LOCK, #8	2	2
12	00526-G1						NUT, #8 - 32	2	2
13	18768-G2						HEAT SINK ASSEMBLY, SERVICE (INCLUDES ITEMS 14 - 18) ...	1	1
14	18489-G1						HEAT SINK	1	1
15	18488-G1						DIODE, SILICONE RECTIFIER	2	2
16	00567-G7						WASHER, LOCK, 1/4	2	2
17	00532-G2						NUT, 1/4 - 28	2	2
18	11572-G2						NUT, PLASTIC EXPANSION	3	3
19	00567-G3						WASHER, LOCK, EXTERNAL TOOTH, #6	2	2
20	00525-G5						NUT, #6 - 32	2	2
21	00138-G3						SCREW, #6 - 32 X 3/8 LG.	2	2
22	00512-G7						SCREW, SELF-TAPPING, #8 X 7/8 LG.	3	3
23	00378-G4						SCREW, #10 - 24 X 1/2 LG.	1	1
24	00526-G3						NUT, #10 - 24	1	1
25	00565-G5						WASHER, LOCK, #10	1	1
26									
27									
28	24243-G1						AMMETER	1	1
29	*						BRACKET, AMMETER	1	1
30	00525-G5						NUT, #6 - 32	2	2
31	00565-G5						WASHER, LOCK, #10	2	2
32	00526-G4						NUT, #10 - 32	2	2
33	12914-G1						FASTON TAB	2	2
34	19952-G1						WIRE, 18 GAUGE, RED	1	1

BATTERY CHARGER, TOTAL CHARGE®

ELECTRIC POWERED VEHICLE

THE USE OF NON U.L. PARTS WILL VOID ANY U.L. LISTING.

When ordering parts, please specify the model and serial number of the product.

* Indicates a component that is not available as an individual part.

3 WHEEL	4 WHEEL
---------	---------

ITEM	PART NO.	1	2	3	4	5	DESCRIPTION	QTY	
								3 WHEEL	4 WHEEL
35	18052-G6						TIMER	1	1
36	00372-G2						SCREW, #8 - 32 X 1/4 LG.	2	2
37	11575-G1						KNOB, TIMER	1	1
38	00486-G4						SETSCREW, #8 - 32 X 1/2 LG.	1	1
39									
40	00372-G3						SCREW, #8 - 32 X 3/8 LG.	1	1
41	00565-G4						WASHER, LOCK, #8	1	1
42	00526-G1						NUT, #8 - 32	1	1
43									
44	19928-G1						TRANSFORMER	1	1
45	11027-G2						NUT, LOCK, 1/4 - 20	4	4
46	00414-G5						SCREW, 1/4 - 20 X 5/8 LG.	4	4
47	19388-G1						A.C. CORD	1	1
48	13557-G2						STRAIN RELIEF, PLASTIC (A.C. CORD)	1	1
49	18747-G1						D.C. CORD ASSEMBLY, 10 FT. (INCLUDES ITEMS 51 - 63)	1	1
50									
51	14489-G2						D.C. CORD, 10 FT.	1	1
52									
53	*						CONTACT, CONNECTOR	2	2
54	18782-G1						CONNECTOR (BLACK)	1	1
55	18972-G1						HANDLE INSTALLATION KIT (INCLUDES ITEMS 56 - 63)	1	1
56	*						HANDLE, HALF, L.H.	1	1
57	*						HANDLE, HALF, R.H.	1	1
58									
59	00647-G8						SCREW, STAINLESS STEEL, #6 - 32 X 29/32 LG.	2	2
60	00647-G3						SCREW, STAINLESS STEEL, #6 - 32 X 3/8 LG.	2	2
61	13521-G5						NUT, LOCK, #6 - 32	4	4
62	00650-G2						WASHER, FLAT, #5	AR	AR
63	20628-G1						LABEL, CAUTION	1	1
64	13557-G3						STRAIN RELIEF, PLASTIC (D.C. CORD)	1	1
65									
66									
67	00614-G4						SCREW, SELF-TAPPING, #8 X 1/2 LG.	10	10
68	19950-G2						ELECTRONIC MODULE ASSEMBLY (INCLUDES ITEMS 69 - 78)	1	1

BATTERY CHARGER, TOTAL CHARGE[®]

ELECTRIC POWERED VEHICLE

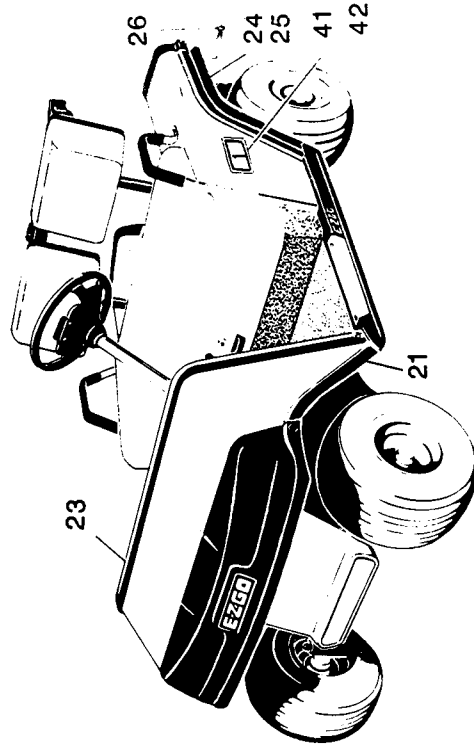
THE USE OF NON U.L. PARTS WILL VOID ANY U.L. LISTING.

When ordering parts, please specify the model and serial number of the product.

* Indicates a component that is not available as an individual part.

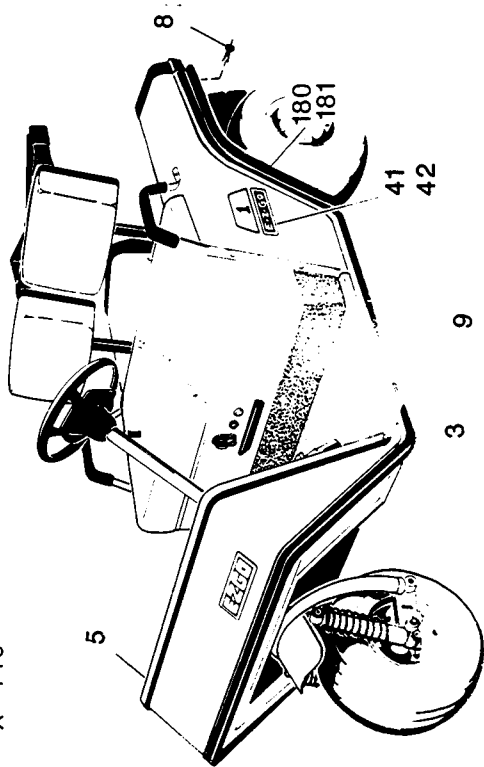
ITEM	PART NO.	1	2	3	4	5	DESCRIPTION	3 WHEEL	4 WHEEL
								QTY	
69	*						MODULE	1	1
70	19459-G1						BRACKET	1	1
71	00138-G5						SCREW, #6 - 32 X 5/8 LG.	4	4
72	19081-G1						STANDOFF	4	4
73	00736-G1						WASHER, FLAT, NYLON	4	4
74	00735-G1						NUT, NYLON, #6 - 32	4	4
75	19402-G1						WIRE, 16 GAUGE, BLACK	1	1
76	19949-G1						WIRE, 16 GAUGE, YELLOW	1	1
77	19954-G1						WIRE, 18 GAUGE, BLACK	1	1
78	00559-G3						WASHER, #8	2	2
79									
80									
81	19363-G1						FUSE BLOCK	1	1
82	19361-G1						FUSE, 15 AMP	1	1
83	19434-G1						LABEL, IDENTIFICATION	1	1
84	19441-G1						WIRE, 12 GAUGE, WHITE	1	1
85	19362-G1						CIRCUIT BREAKER, 50 AMP (INCLUDES ITEMS 86 AND 87)	2	2
86	00559-G5						WASHER, #10	4	4
87	00526-G4						NUT, #10 - 32	2	2
88	00565-G4						WASHER, LOCK, #8	2	2
89	00526-G1						NUT, #8 - 32	2	2
90	00372-G6						SCREW, #8 - 32 X 3/4 LG.	2	2

X-444

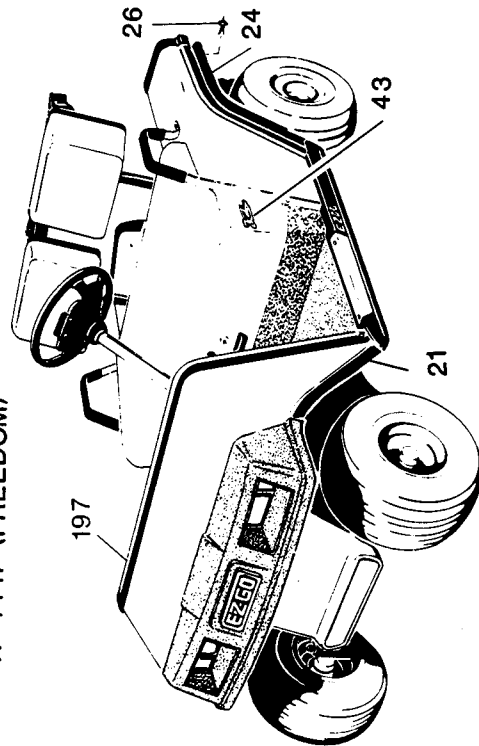


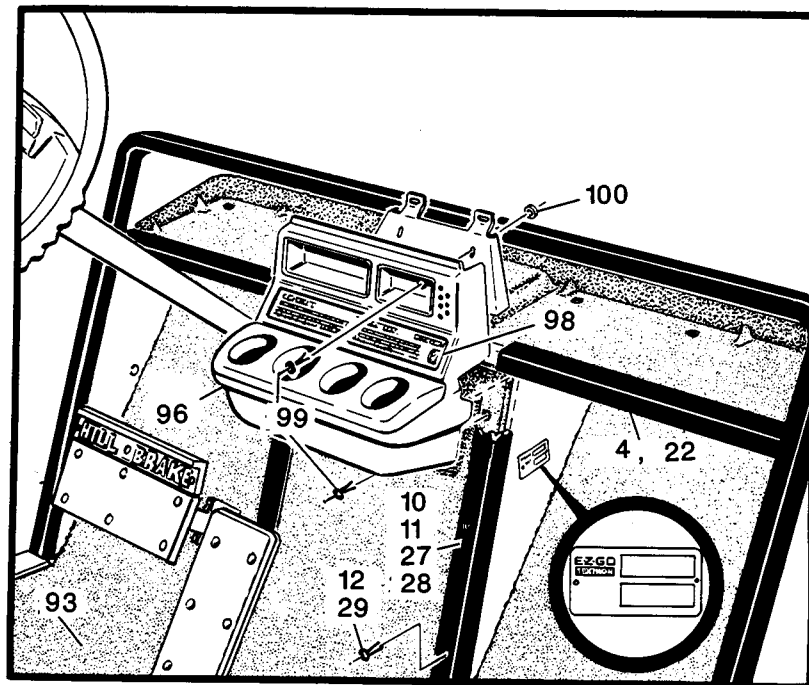
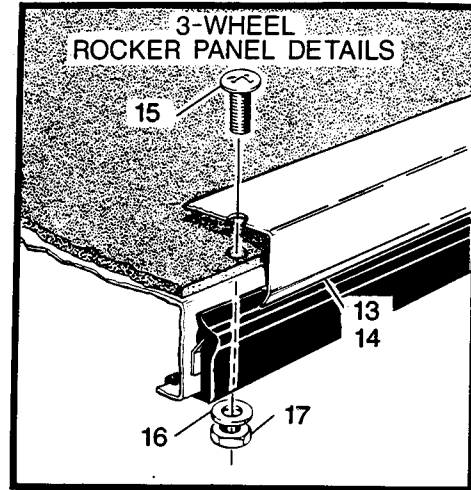
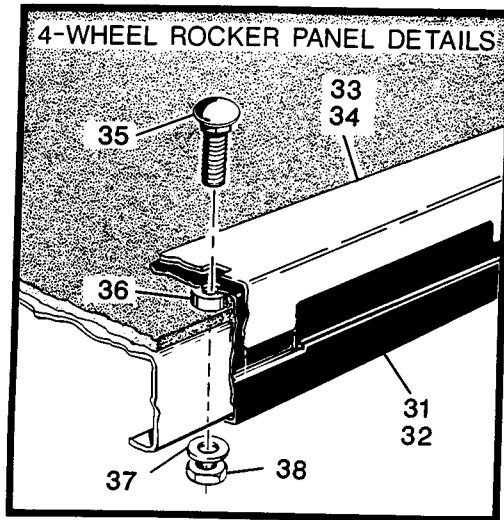
1 INCLUDES ITEMS 2-17
19 INCLUDES ITEMS 20-38

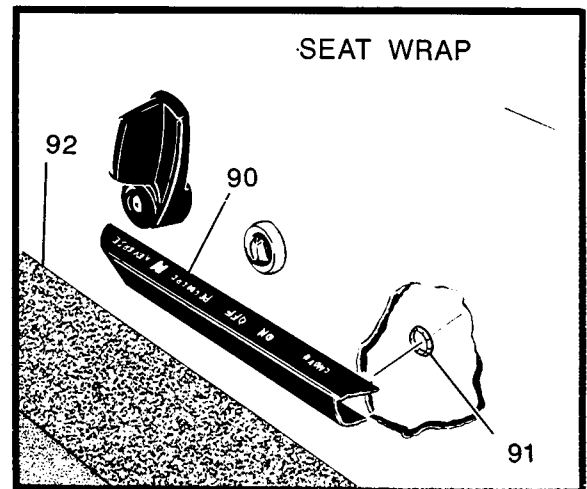
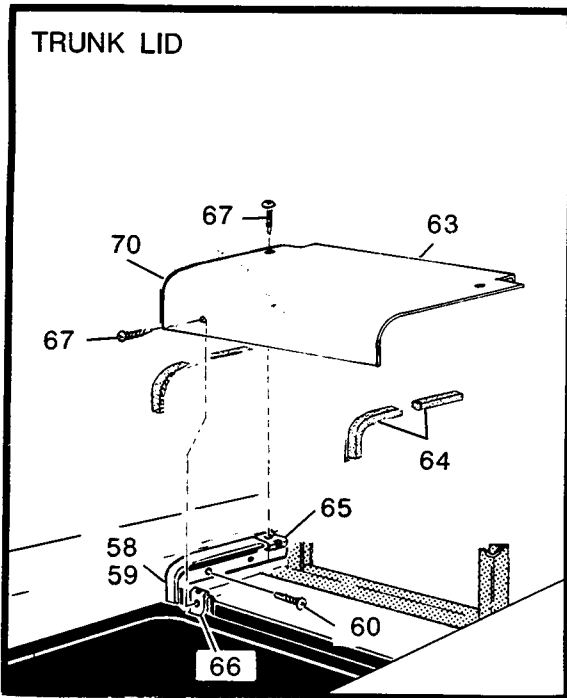
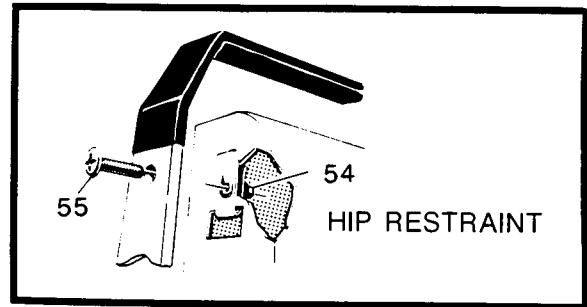
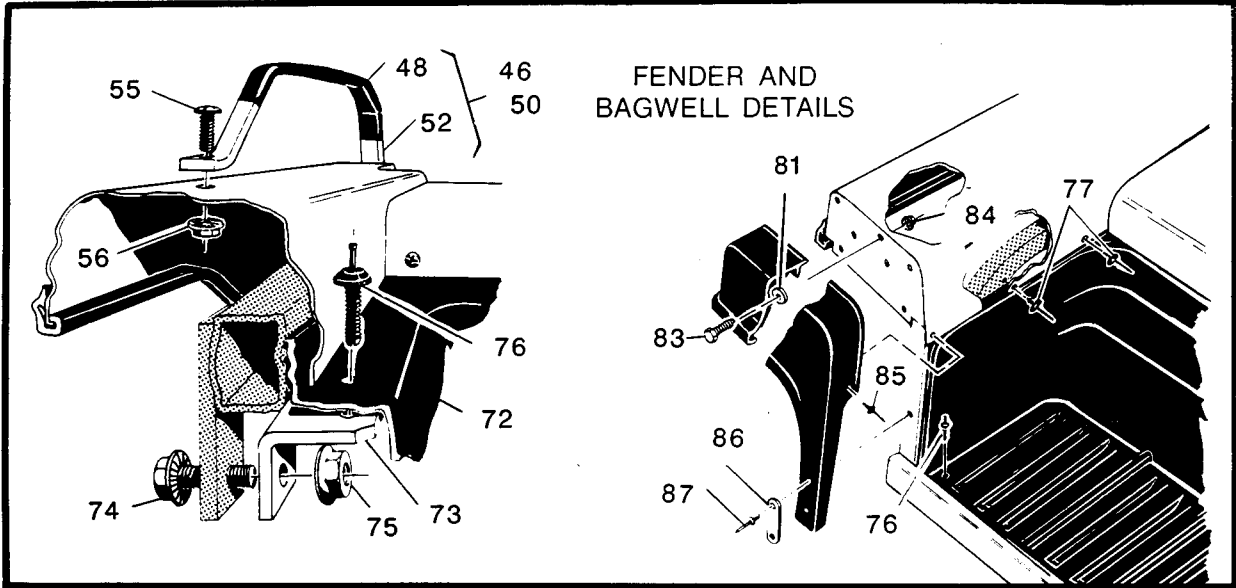
X-440



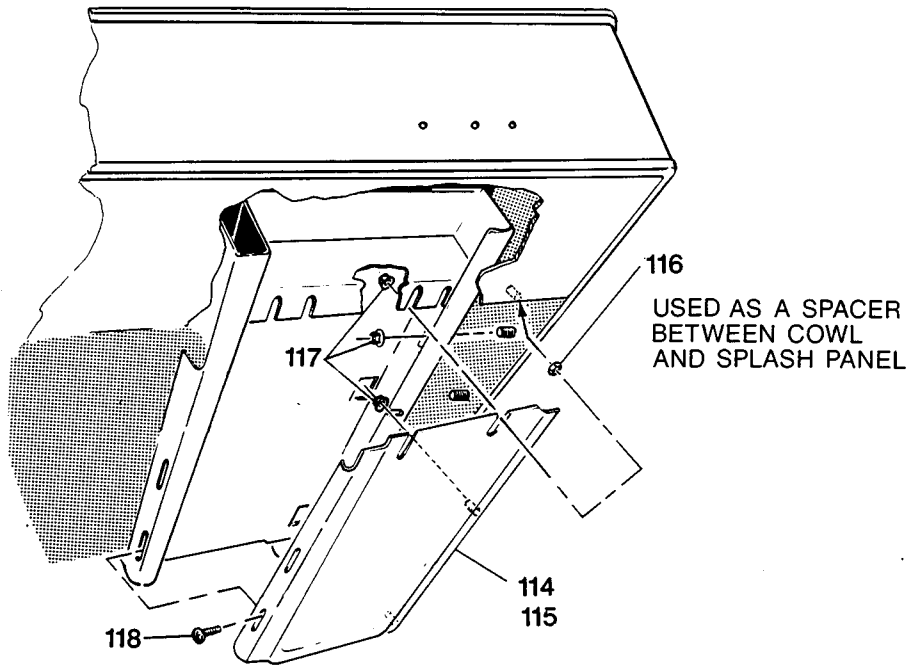
X-444F (FREEDOM)



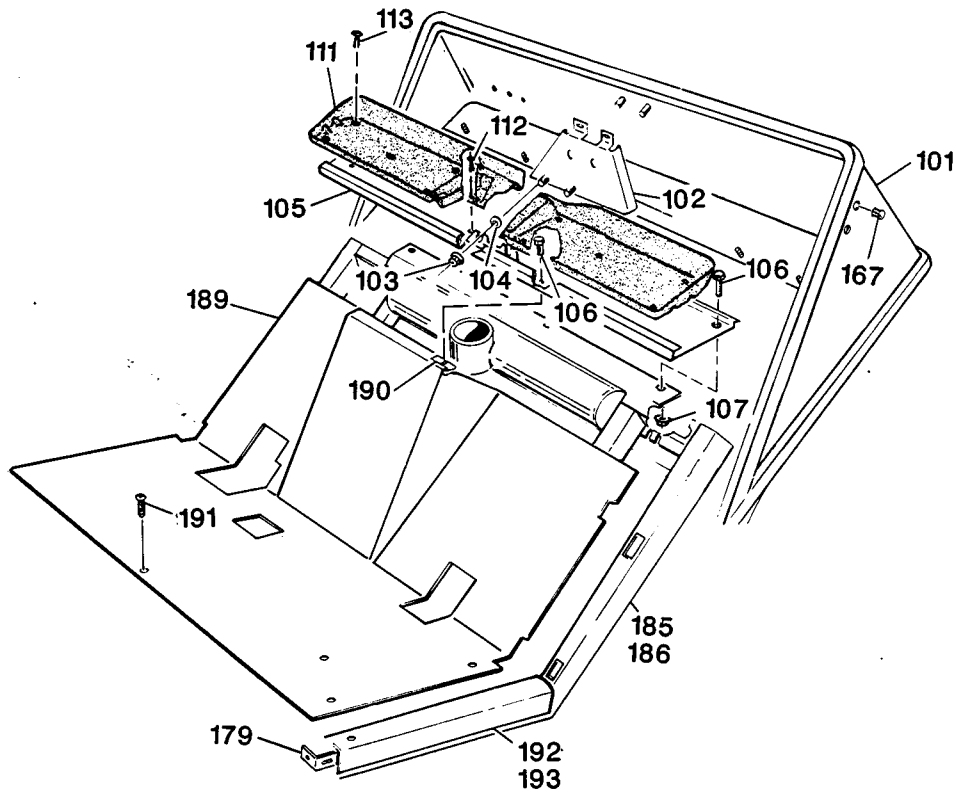


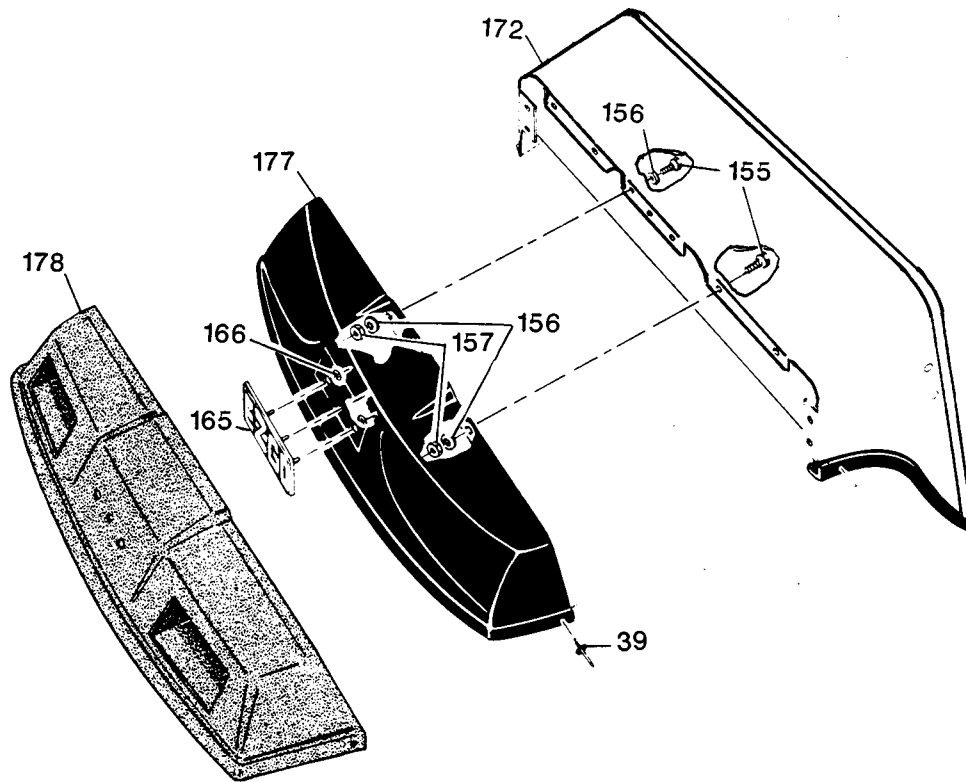


3-WHEEL COWL

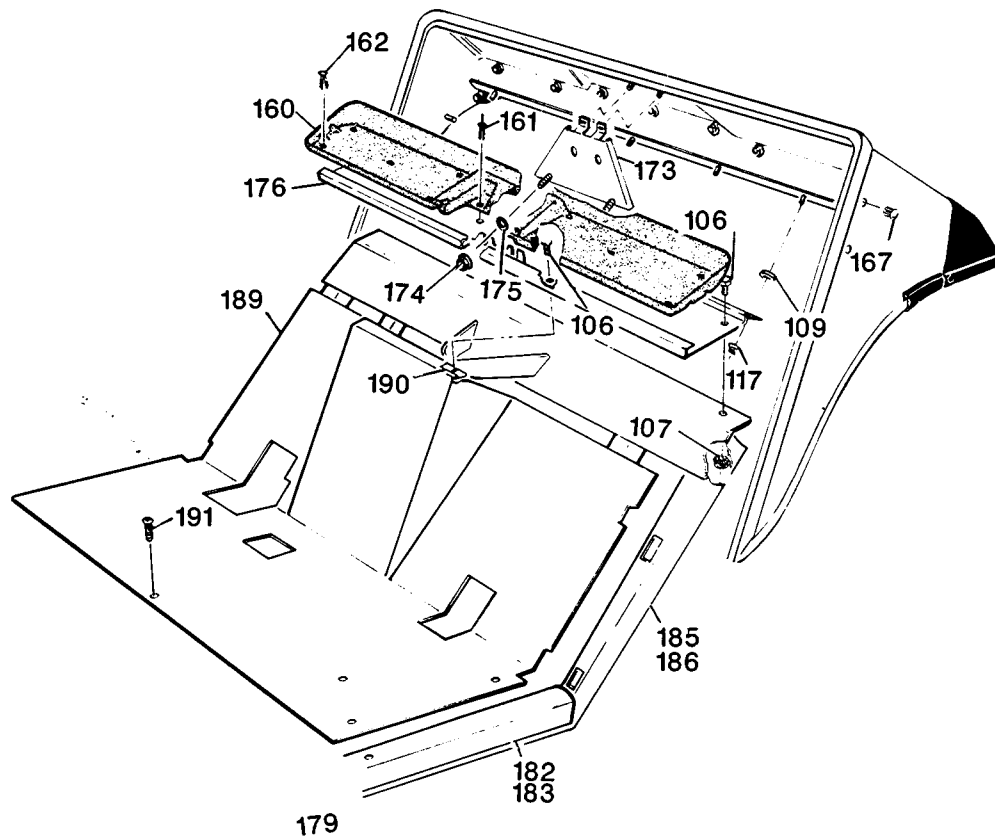


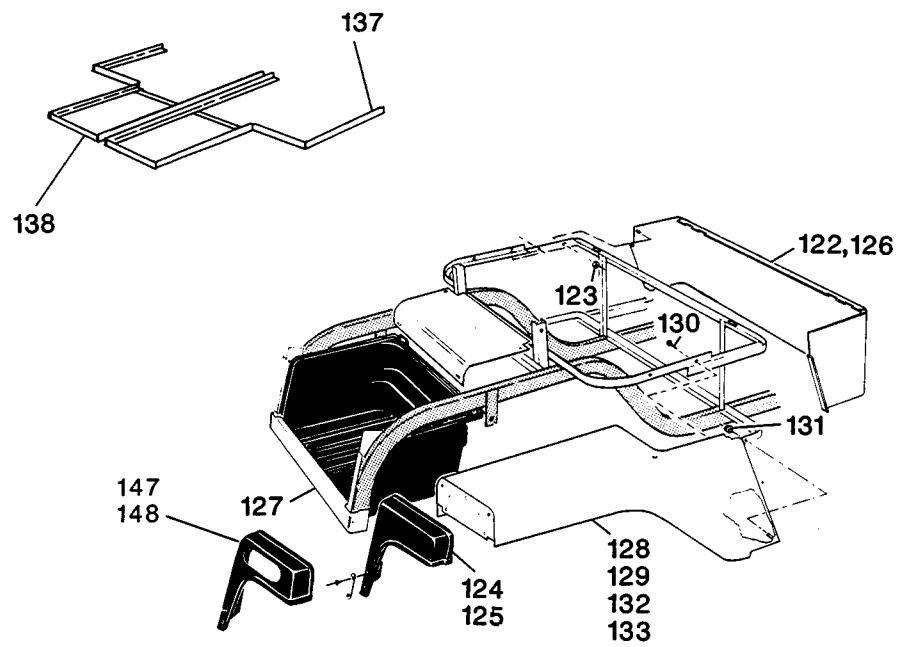
110 INCLUDES ITEMS 111-113





189 INCLUDES ITEM 190





BODY AND ASSOCIATED PARTS

ELECTRIC POWERED VEHICLE

THE USE OF NON U.L. PARTS WILL VOID ANY U.L. LISTING.

When ordering parts, please specify the model and serial number of the product.

* Indicates a component that is not available as an individual part.

ITEM	PART NO.	1	2	3	4	5	DESCRIPTION	QTY	
								3 WHEEL	4 WHEEL
1	24578-G1	VINYL BUMPER TRIM KIT, 3-WHEEL VEHICLE ONLY (INCLUDES ITEMS 2 THRU17)						1	X
2	22888-G1	VINYL BUMPER, BULK LENGTH, 180 LG, (INCLUDES MATERIAL TO MAKE ITEMS 3 THRU 4)						1	X
3	22888-G3	VINYL BUMPER, BODY TRIM, SIDES AND FRONT						1	X
4	17203-G9	VINYL BUMPER, BODY TRIM, DASH TRAY						2	X
5	22273-G1	VINYL BUMPER, BODY TRIM, BACK OF COWL						1	X
6	23931-G5	TRIM, FENDER, PASSENGER SIDE						1	X
7	23931-G4	TRIM, FENDER, DRIVER SIDE						1	X
8	24198-G1	FASTNER, RATCHET TYPE						8	X
9	15058-G4	RIVET, ALUMINUM, BLACK						4	X
10	24620-G1	TRIM, FLOORMAT, PASSENGER SIDE						1	X
11	24620-G2	TRIM, FLOORMAT, DRIVER SIDE						1	X
12	18436-G1	RIVET, PLASTIC DRIVE 1/4						8	X
13	22223-G1	TRIM, ROCKER PANEL, PASSENGER SIDE						1	X
14	22223-G2	TRIM, ROCKER PANEL, DRIVER SIDE						1	X
15	16705-G1	SCREW, STAINLESS STEEL, 1/4-20 X 1 LG						4	X
16	00559-G7	WASHER, 1/4						4	X
17	14390-G4	NUT, LOCK 1/4-20						4	X
18									
19	24579-G1	VINYL BUMPER, TRIM KIT, 4-WHEEL VEHICLE ONLY (INCLUDES ITEMS 20 THRU 38)						X	1
20	22888-G4	VINYL BUMPER, BULK LENGTH, 71 LG. (INCLUDES MATERIALS TO MAKE ITEMS 21,22)						X	1
21	17203-G1	VINYL BUMPER, BODY TRIM, SIDES						X	1
22	17203-G9	VINYL BUMPER, BODY TRIM, DASH TRAY						X	2
23	22273-G1	VINYL BUMPER, BODY TRIM, BACK OF COWL						X	1
24	23931-G1	TRIM, FENDER, PASSENGER SIDE						X	1
25	23931-G2	TRIM, DRIVER SIDE						X	1
26	24198-G1	FASTNER, RATCHET TYPE						X	12
27	24620-G1	TRIM, FLOORMAT, PASSENGER SIDE						X	1
28	24620-G2	TRIM, FLOORMAT, DRIVER SIDE						X	1
29	18436-G1	RIVET, PLASTIC DRIVE 1/4						X	4
30									
31	23868-G1	ROCKER PANEL, PASSENGER SIDE						X	1

BODY AND ASSOCIATED PARTS

ELECTRIC POWERED VEHICLE

THE USE OF NON U.L. PARTS WILL VOID ANY U.L. LISTING.

When ordering parts, please specify the model and serial number of the product.

* Indicates a component that is not available as an individual part.

3 WHEEL	4 WHEEL
------------	------------

ITEM	PART NO.	1	2	3	4	5	DESCRIPTION	QTY	
								3 WHEEL	4 WHEEL
32	23868-G2						ROCKER PANEL, DRIVER SIDE	X	1
33	23850-G1						SILL PLATE, ROCKER PANEL, PASSENGER SIDE	X	1
34	23850-G2						SILL PLATE,ROCKER PANEL, DRIVER SIDE	X	1
35	00823-G8						BOLT,CARRIAGE, STAINLESS STEEL,1/4-20 X 1 LG.	X	4
36	23726-G2						SPACER	X	4
37	00660-G7						WASHER, 1/4	X	4
38	00891-G2						NUT, LOCK, 1/4-20	X	4
39	15058-G4						RIVET, ALUMINUM, BLACK	X	2
40									
41	20514-G1						DECAL INSTALLATION KIT, TRAPEZOID (SPECIFY NO. 1 - 200)	AR	AR
42	22530-G1						DECAL INSTALLATION KIT, RECTANGLE (SPECIFY NO. 1 - 200)	AR	AR
43	23676-G1						LABEL, FREEDOM	X	2
44									
45									
46	22229-G1						RESTRAINT, HIP HANDHOLD ASSEMBLY, PASSENGER SIDE (INCLUDES ITEM 48)	1	1
47									
48	23152-G1						HANDGRIP	1	1
49									
50	24004-G1						RESTRAINT, HIP HANDHOLD ASSEMBLY, DRIVER SIDE (INCLUDES ITEM 52)	1	1
51									
52	23152-G1						HANDGRIP	1	1
53									
54	14776-G1						NUT, J TYPE 1/4-20	4	4
55	16705-G1						SCREW, TRUSS, 1/4-20 X 1 LG.	6	6
56	11027-G2						NUT, LOCK, 1/4-20	2	2
57									
58	19538-G3						FILLET, TRUNK, PASSENGER SIDE	1	1
59	19538-G4						FILLET, TRUNK, DRIVER SIDE	1	1
60	00106-G6						SCREW, SELF DRILL & TAP, #12-24 X 3/4 LG.	4	4
61	19533-G4						TRUNK LID INSTALLATION KIT, (INCLUDES ITEMS 63-67)	1	1
62									
63	19554-G2						TRUNK LID	1	1
64	17684-G1						NOISE SUPPRESSOR, TRUNK LID	4	4

BODY AND ASSOCIATED PARTS

ELECTRIC POWERED VEHICLE

THE USE OF NON U.L. PARTS WILL VOID ANY U.L. LISTING.

When ordering parts, please specify the model and serial number of the product.

* Indicates a component that is not available as an individual part.

3 WHEEL	4 WHEEL
---------	---------

ITEM	PART NO.	1	2	3	4	5	DESCRIPTION	QTY	
65	24722-G1						NUT " U " TYPE, # 10 -12 X 1/32 THK.	2	2
66	24722-G2						NUT " U " TYPE, # 10 -12 X 1/8 THK	2	2
67	00923-G6						SCREW, SELF-TAPPING, # 10 -12 X 3/4 LG.	4	4
68									
69									
70									
71									
72	19034-G1						BAGWELL, PLASTIC	1	1
73	19524-G1						MOUNT, BAGWELL	2	2
74	13437-G1						SCREW, LOCK, 3/8 -16 X 1 LG.	2	2
75	11027-G5						NUT, LOCK, 3/8 -16	2	2
76	18436-G1						RIVET, PLASTIC DRIVE, 1/4	4	4
77	15058-G1						RIVET, ALUMINUM, BLACK, 3/16	4	4
78									
79									
80									
81	10669-G6						WASHER,SPECIAL	6	6
82									
83	00414-G6						SCREW , 1/4 - 20 X 3/4 LG.	6	6
84	11027-G2						NUT, LOCK, 1/4-20	6	6
85	15058-G1						RIVET, ALUMINUM, BLACK, 3/16	2	2
86	14705-G1						TRIM STRIP	2	2
87	14601-G2						RIVET, ALUMINUM	4	4
88									
89									
90	19882-G1						INDICATOR, FOWARD - NEUTRAL - REVERSE	1	1
91	12064-G3						RETAINER, PUSHON	3	3
92	18787-G1						SCUFFGUARD, SEATWRAP	1	1
93	25091-G1						FLOORMAT, 3/16	1	1
94									
95									
96	24967-G1						CONTSOLE, 4-CUP	1	1
97									
98	24968-G1						DECAL, SAFETY (INCLUDED WITH ITEM 96)	1	1

BODY AND ASSOCIATED PARTS

ELECTRIC POWERED VEHICLE

THE USE OF NON U.L. PARTS WILL VOID ANY U.L. LISTING.

When ordering parts, please specify the model and serial number of the product.

* Indicates a component that is not available as an individual part.

3 WHEEL	4 WHEEL
---------	---------

ITEM	PART NO.	1	2	3	4	5	DESCRIPTION	QTY	
								3 WHEEL	4 WHEEL
99	18436-G1						RIVET, PLASTIC DRIVE, 1/4	4	4
100	00559-G7						WASHER, 1/4	2	2
101	20211-G2						COWL	1	X
102	18348-G1						COWL SUPPORT	1	X
103	11027-G2						NUT, LOCK, 1/4 - 20	4	X
104	00560-G1						WASHER, 3/8	2	X
105	18352-G2						DASH TRAY	1	X
106	00414-G6						SCREW, 1/4 - 20 X 3/4 LG.	5	5
107	11027-G2						NUT, LOCK, 1/4 - 20	3	3
108									
109	00559-G8						WASHER, 5/16	5	5
110	18799-G3						DASH TRAY LINER KIT (INCLUDES ITEMS 111-113)	1	X
111	18796-G2						LINER, DASH TRAY	1	X
112	18436-G1						RIVET, PLASTIC, DRIVE, 1/4	2	X
113	16816-G1						FASTENER, RATCHET	2	X
114	15680-G2						SPLASH PANEL, PASSENGER SIDE	1	X
115	15681-G2						SPLASH PANEL, DRIVER'S SIDE	1	X
116	00544-G3						NUT, 5/16 - 18	4	X
117	11027-G2						NUT, LOCK, 1/4 - 20	16	13
118	00106-G6						SCREW, SELF-DRILL AND TAP, #12 - 24 X 3/4 LG.	4	X
119									
120									
121									
122	20297-G2						SEAT WRAP	1	1
123	11027-G2						NUT, LOCK, 1/4 - 20	8	8
124	14700-G1						FENDER CAP, FLEXIBLE, PASSENGER SIDE	1	1
125	14700-G2						FENDER CAP, FLEXIBLE DRIVER'S SIDE	1	1
126	20297-G4						SEAT WRAP, FREEDOM ONLY	X	1
127	23800-G3						BUMPER, REAR	1	1
128	19555-G3						FENDER, PASSENGER SIDE	1	X
129	19555-G4						FENDER, DRIVER'S SIDE	1	X
130	00106-G6						SCREW, SELF-DRILL AND TAP, #12 - 24 X 3/4 LG.	6	6
131	11027-G2						NUT, LOCK, 1/4 - 20	4	4
132	24070-G3						FENDER, PASSENGER SIDE	X	1

BODY AND ASSOCIATED PARTS

ELECTRIC POWERED VEHICLE

THE USE OF NON U.L. PARTS WILL VOID ANY U.L. LISTING.

When ordering parts, please specify the model and serial number of the product.

* Indicates a component that is not available as an individual part.

3 WHEEL	4 WHEEL
---------	---------

ITEM	PART NO.	1	2	3	4	5	DESCRIPTION	QTY	
								3 WHEEL	4 WHEEL
133	24070-G4						FENDER, DRIVER'S SIDE	X	1
134									
135									
136									
137	25457-G2						BATTERY RACK, PASSENGER SIDE	1	1
138	25457-G3						BATTERY RACK, DRIVER'S SIDE	1	1
139									
140									
141									
142									
143									
144									
145									
146									
147	21748-G1						FLEXIBLE FENDER CAP, PASSENGER SIDE, (FREEDOM ONLY)	X	1
148	21748-G2						FLEXIBLE FENDER CAP, DRIVER'S SIDE, (FREEDOM ONLY)	X	1
149									
150									
151									
152									
153									
154									
155	00414-G6						SCREW, 1/4 - 20 X 3/4 LG.	X	9
156	00559-G7						WASHER, 1/4	X	18
157	14390-G4						NUT, LOCK, 1/4 - 20	X	9
158									
159									
160	22911-G1						LINER, DASH TRAY	1	1
161	18436-G1						RIVET, PLASTIC, DRIVE, 1/4	2	2
162	16816-G1						FASTENER, RATCHET	2	2
163									
164									
165	19817-G1						NAMEPLATE, E-Z-GO	1	1
166	12064-G3						NUT, PUSHON	3	3

BODY AND ASSOCIATED PARTS

ELECTRIC POWERED VEHICLE

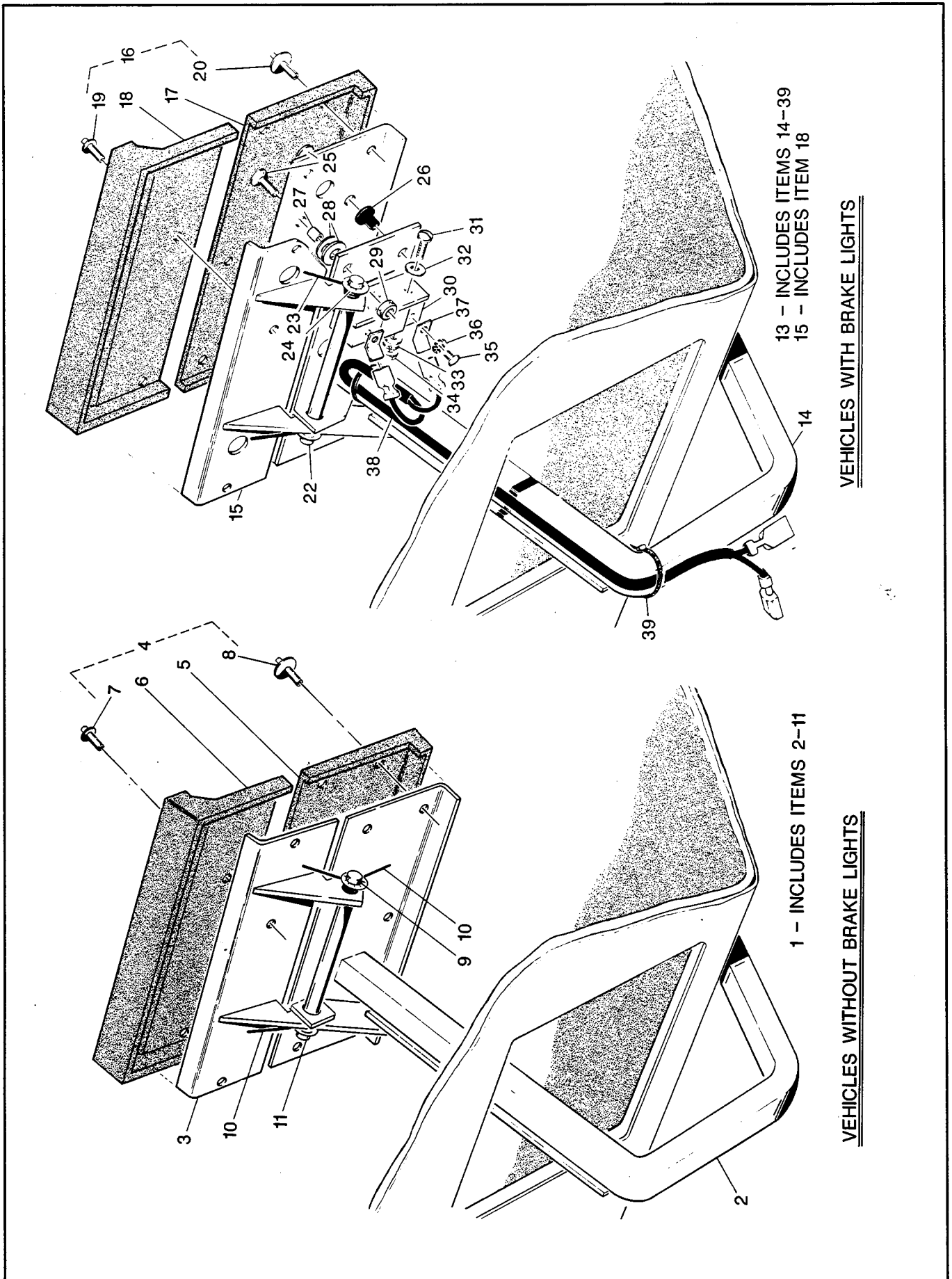
THE USE OF NON U.L. PARTS WILL VOID ANY U.L. LISTING.

When ordering parts, please specify the model and serial number of the product.

* Indicates a component that is not available as an individual part.

3 WHEEL	4 WHEEL
------------	------------

ITEM	PART NO.	1	2	3	4	5	DESCRIPTION	QTY	
								3 WHEEL	4 WHEEL
167	20271-G4						PLUG, BUTTON	4	4
168									
169									
170									
171									
172	23063-G5						COWL	X	1
173	23148-G1						COWL SUPPORT	X	1
174	11027-G2						NUT, LOCK, 1/4 - 20	X	4
175	00560-G1						WASHER, 3/8	X	2
176	18353-G2						DASH TRAY	X	1
177	22914-G1						CAP, COWL	X	1
178	23674-G1						CAP, COWL, FREEDOM ONLY	X	1
179	19013-G2						ANGLE, RAIL,	2	2
180									
181									
182	24081-G1						SIDE RAIL, PASSENGER SIDE,	X	1
183	24081-G2						SIDE RAIL, DRIVER'S SIDE	X	1
184									
185	15536-G1						TOP RAIL, PASSENGER SIDE	1	1
186	15536-G2						TOP RAIL, DRIVER'S SIDE	1	1
187									
188									
189	15671-G2						FLOORBOARD ASSEMBLY (INCLUDES ITEM 190)	1	1
190	14776-G1						NUT, "J" TYPE, 1/4 - 20	2	2
191	00106-G6						SCREW, SELF-DRILL AND TAP, #12 - 24 X 3/4 LG.	23	23
192	24161-G1						SIDE RAIL, PASSENGER SIDE,	1	X
193	24161-G2						SIDE RAIL, DRIVER'S SIDE,	1	X
194									
195									
196									
197									
198									
199									
200									

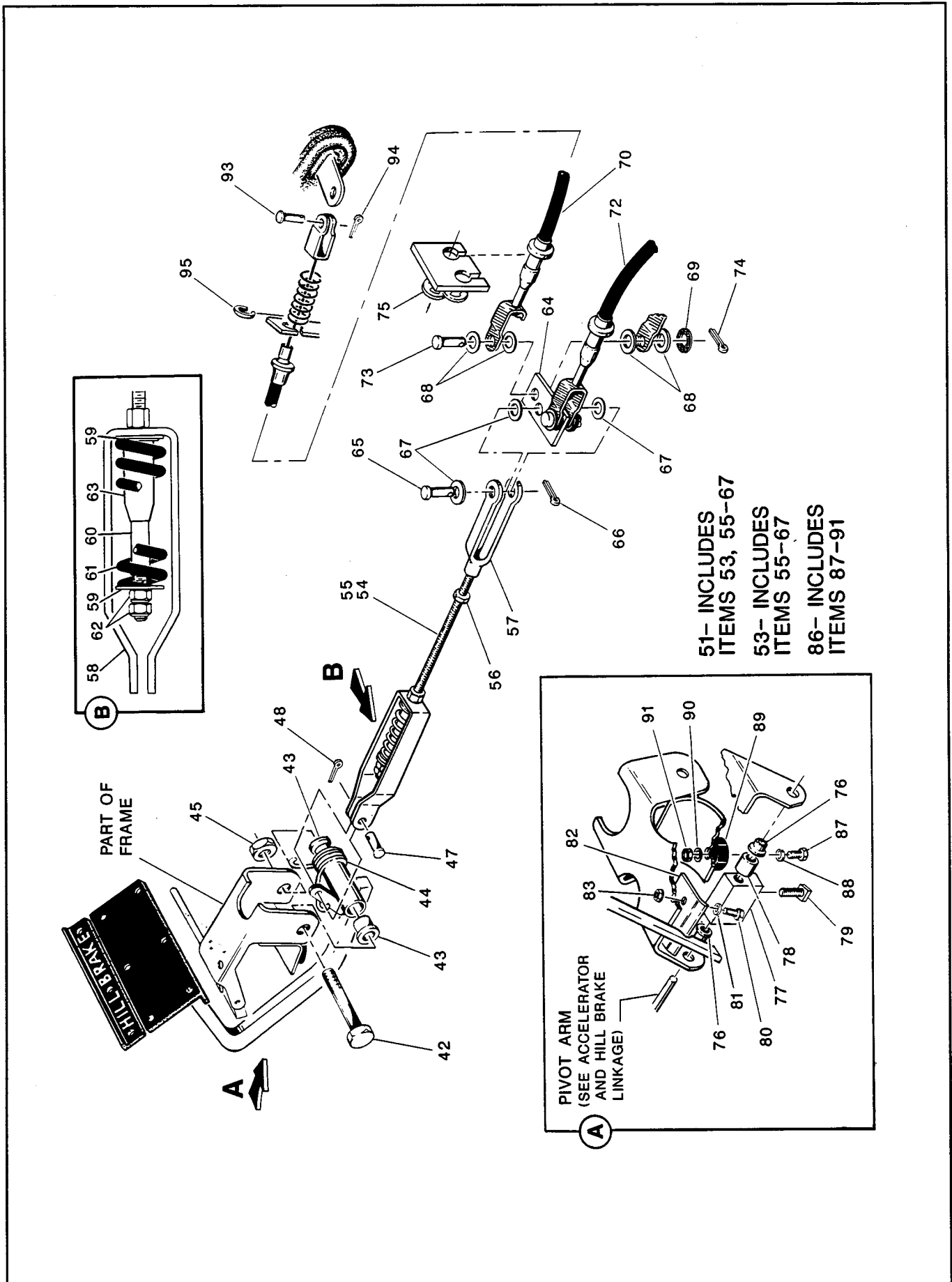


13 - INCLUDES ITEMS 14-39
 15 - INCLUDES ITEM 18

VEHICLES WITH BRAKE LIGHTS

1 - INCLUDES ITEMS 2-11

VEHICLES WITHOUT BRAKE LIGHTS



BRAKE LINKAGE

ELECTRIC POWERED VEHICLE

THE USE OF NON U.L. PARTS WILL VOID ANY U.L. LISTING.

When ordering parts, please specify the model and serial number of the product.

* Indicates a component that is not available as an individual part.

ITEM	PART NO.	1	2	3	4	5	DESCRIPTION	3 WHEEL	4 WHEEL
								QTY	QTY
1	25253-G1						BRAKE PEDAL ASSEMBLY, VEHICLES WITHOUT BRAKE LIGHTS (INCLUDES ITEMS 2 - 11)	1	1
2	23037-G2						PEDAL, BRAKE (WITH PAD, ITEM 5)	1	1
3	15813-G1						PEDAL, HILL BRAKE (WITH PAD, ITEM 6)	1	1
4	15826-G1						BRAKE/HILL BRAKE PEDAL PAD KIT (INCLUDES ITEMS 5 - 8)	1	1
5	*						PAD, BRAKE PEDAL	1	1
6	*						PAD, HILL BRAKE PEDAL	1	1
7	15766-G1						RIVET, SMALL HEAD	3	3
8	16409-G1						RIVET, LARGE HEAD	6	6
9	15932-G1						PIN, HILL BRAKE PEDAL	1	1
10	11737-G1						SPRING, TORSION	2	2
11	12064-G1						PUSH, NUT	1	1
12									
13	22449-G1						BRAKE PEDAL ASSEMBLY, VEHICLES WITH BRAKE LIGHTS (INCLUDES ITEMS 14 - 39)	1	1
14	22357-G1						PEDAL, BRAKE	1	1
15	15813-G2						PEDAL, HILL BRAKE (WITH PAD, ITEM 18)	1	1
16	15826-G1						BRAKE/HILL BRAKE PEDAL PAD KIT (INCLUDES ITEMS 17- 20)	1	1
17	*						PAD, BRAKE PEDAL	1	1
18	*						PAD, HILL BRAKE PEDAL	1	1
19	15766-G1						RIVET, SMALL HEAD	3	3
20	16409-G1						RIVET, LARGE HEAD	6	6
21	15809-G2						PLATE, BRAKE PEDAL	1	1
22	15932-G1						PIN, HILL BRAKE PEDAL	1	1
23	11737-G1						SPRING, TORSION	2	2
24	12064-G1						PUSH, NUT	1	1
25	00737-G7						SCREW, #10 - 24 X 3/4 LG	4	4
26	00739-G1						NUT, CAPTIVE, #10 - 24	2	2
27	22362-G1						STANDOFF, BRAKE PEDAL	2	2
28	24938-G1						SPRING, CONICAL	2	2
29	11098-G7						NUT, LOCK, #10 - 24	2	2
30	10606-G1						SWITCH, MICRO	1	1
31	00139-G2						SCREW, #6 - 32 X 1 1/4 LG.	2	2
32	00559-G3						WASHER, #6	4	4
33	00565-G3						WASHER, LOCK, #6	2	2

BRAKE LINKAGE

ELECTRIC POWERED VEHICLE

THE USE OF NON U.L. PARTS WILL VOID ANY U.L. LISTING.

When ordering parts, please specify the model and serial number of the product.

* Indicates a component that is not available as an individual part.

ITEM	PART NO.	1	2	3	4	5	DESCRIPTION	QTY	
								3 WHEEL	4 WHEEL
34	00525-G5						NUT, #6 - 32	2	2
35	13514-G1						SCREW, BRASS	2	2
36	00567-G3						WASHER, LOCK, EXTERNAL TOOTH #6	2	2
37	14628-G1						FASTON TAB	2	2
38	22447-G1						WIRE HARNESS, BRAKE	1	1
39	17618-G1						CLAMP, NYLON	3	3
40									
41									
42	14158-G1						BOLT, SHOULDER, 3/8 - 16	1	1
43	11079-G1						BUSHING, FLANGED, NYLON	2	2
44	25292-G1						SPRING, TORSION	1	1
45	13521-G4						NUT, LOCK, 3/8 - 16	1	1
46									
47	10386-G3						PIN, CLEVIS	1	1
48	10387-G3						COTTER PIN, 3/32 X 3/4 LG	1	1
49									
50	25101-G1						BRAKE LINKAGE ASSEMBLY, GASOLINE VEHICLE (INCLUDES ITEMS 52, 54, 56 - 67)	1	1
51	25101-G2						BRAKE LINKAGE ASSEMBLY, ELECTRIC VEHICLE (INCLUDES ITEMS 53, 55 - 67)	1	1
52	23062-G1						COMPENSATING LINK ASSEMBLY, GASOLINE VEHICLE (INCLUDES ITEMS 54, 56 - 67)	1	1
53	23062-G2						COMPENSATING LINK ASSEMBLY, ELECTRIC VEHICLE (INCLUDES ITEMS 55 - 67)	1	1
54	*						ROD, GASOLINE VEHICLE	1	1
55	23175-G2						ROD, ELECTRIC VEHICLE	1	1
56	00544-G4						NUT, 5/16 - 24	1	1
57	10385-G4						YOKE, CLEVIS	1	1
58	23030-G1						YOKE, BRAKE	1	1
59	15121-G1						WASHER, 5/16	2	2
60	23061-G2						TUBE	1	1
61	23463-G1						SPRING, COMPRESSION	1	1
62	00532-G4						NUT, LOCK, 5/16 - 24	2	2
63	17979-G1						BUSHING, ACCELERATOR ROD	1	1
64	13659-G1						BAR, EQUALIZER	1	1

BRAKE LINKAGE

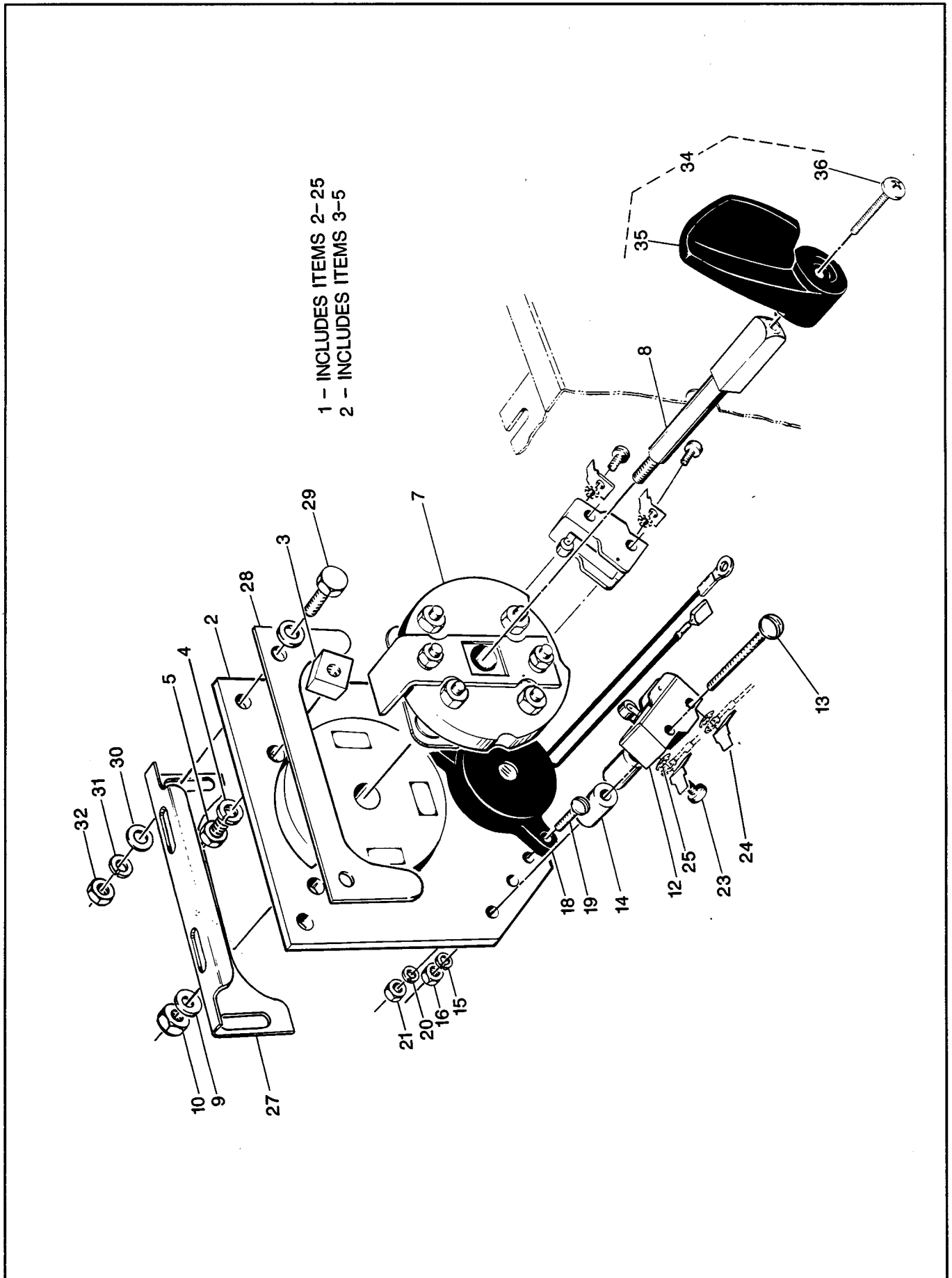
ELECTRIC POWERED VEHICLE

THE USE OF NON U.L. PARTS WILL VOID ANY U.L. LISTING.

When ordering parts, please specify the model and serial number of the product.

* Indicates a component that is not available as an individual part.

ITEM	PART NO.	1	2	3	4	5	DESCRIPTION	3 WHEEL	4 WHEEL
								QTY	QTY
65	10386-G3						PIN, CLEVIS	1	1
66	10387-G3						COTTER PIN, 3/32 X 3/4 LG	1	1
67	17255-G1						WASHER, NYLON	3	3
68	17255-G1						WASHER, NYLON	8	8
69	00559-G8						WASHER, FLAT	2	2
70	25187-G2						CABLE, BRAKE, PASSENGER SIDE	1	1
71									
72	25187-G1						CABLE, BRAKE, DRIVER'S SIDE	1	1
73	10386-G3						PIN, CLEVIS	2	2
74	10387-G3						COTTER PIN, 3/32 X 3/4 LG	2	2
75	12305-G1						RING, RETAINING	2	2
76	10097-G6						BEARING, FLANGED	2	2
77	25103-G1						CAM, HILL BRAKE	1	1
78	14134-G2						SPACER	1	1
79	00491-G4						SETSCREW, 1/4 - 20 X 3/8 LG	2	2
80	00414-G6						SCREW, 1/4 - 20 X 3/4 LG	2	2
81	00565-G7						WASHER, LOCK, 1/4	2	2
82	15022-G1						BRACKET, CATCH	1	1
83	11027-G2						NUT, LOCK, 1/4 - 20	2	2
84									
85									
86	14061-G1						PEDAL BUMPER SERVICE KIT (INCLUDES ITEMS 87 - 91)	1	1
87	00150-G6						SCREW, #10 - 24 X 3/4 LG	1	1
88	00559-G5						WASHER, #10	1	1
89	13728-G1						BUMPER, RUBBER	1	1
90	00565-G5						WASHER, LOCK, #10	1	1
91	00526-G3						NUT, #10 - 24	1	1
92									
93	10386-G3						PIN, CLEVIS	2	2
94	10387-G3						COTTER PIN, 3/32 X 3/4 LG	2	2
95	12305-G1						RING, RETAINING	2	2



DIRECTION SELECTOR

ELECTRIC POWERED VEHICLE

THE USE OF NON U.L. PARTS WILL VOID ANY U.L. LISTING.

When ordering parts, please specify the model and serial number of the product.

* Indicates a component that is not available as an individual part.

3 WHEEL	4 WHEEL
---------	---------

ITEM	PART NO.	1	2	3	4	5	DESCRIPTION	QTY	
								3 WHEEL	4 WHEEL
1	25396-G1						FORWARD-NEUTRAL-REVERSE SWITCH ASSEMBLY (INCLUDES ITEMS 2 - 25)	1	1
2	14651-G1						CONTACT BOARD ASSEMBLY (INCLUDES ITEMS 3 - 5)	1	1
3	24940-G1						STOP	2	2
4	00565-G7						WASHER, LOCK, 1/4	2	2
5	00414-G6						SCREW, 1/4 - 20 X 3/4 LG.	2	2
6									
7	12835-G1						CAM UNIT, FORWARD-NEUTRAL-REVERSE SWITCH	1	1
8	19470-G1						SHAFT, FORWARD-NEUTRAL-REVERSE SWITCH	1	1
9	00560-G1						WASHER, 3/8	1	1
10	14390-G1						NUT, LOCK, 3/8 - 24	1	1
11									
12	10606-G4						SWITCH, MICRO	2	2
13	00139-G8						SCREW, #6 - 32 X 1 3/4 LG.	4	4
14	12806-G1						SPACER, MICRO SWITCH	4	4
15	00565-G3						WASHER, LOCK, #6	4	4
16	00525-G5						NUT, #6 - 32	4	4
17									
18	17940-G2						BUZZER	1	1
19	00138-G5						SCREW, #6 - 32 X 5/8 LG.	2	2
20	00565-G3						WASHER, LOCK, #6	2	2
21	00525-G5						NUT, #6 - 32	2	2
22									
23	13514-G1						SCREW, BRASS, #6-32 X .22 LG.	4	4
24	14628-G1						FASTON TAB	4	4
25	00567-G3						WASHER, LOCK, EXTERNAL TOOTH, #6	4	4
26									
27	12863-G1						BRACKET, MOUNTING	1	1
28	15461-G1						SUPPORT, BRACKET MOUNTING	1	1
29	00414-G8						SCREW, 1/4 - 20 X 1 LG.	2	2
30	00559-G7						WASHER, 1/4	2	2
31	00565-G7						WASHER, LOCK, 1/4	2	2
32	00532-G1						NUT, 1/4 - 20	2	2
33									

DIRECTION SELECTOR

ELECTRIC POWERED VEHICLE

THE USE OF NON U.L. PARTS WILL VOID ANY U.L. LISTING.

When ordering parts, please specify the model and serial number of the product.

* Indicates a component that is not available as an individual part.

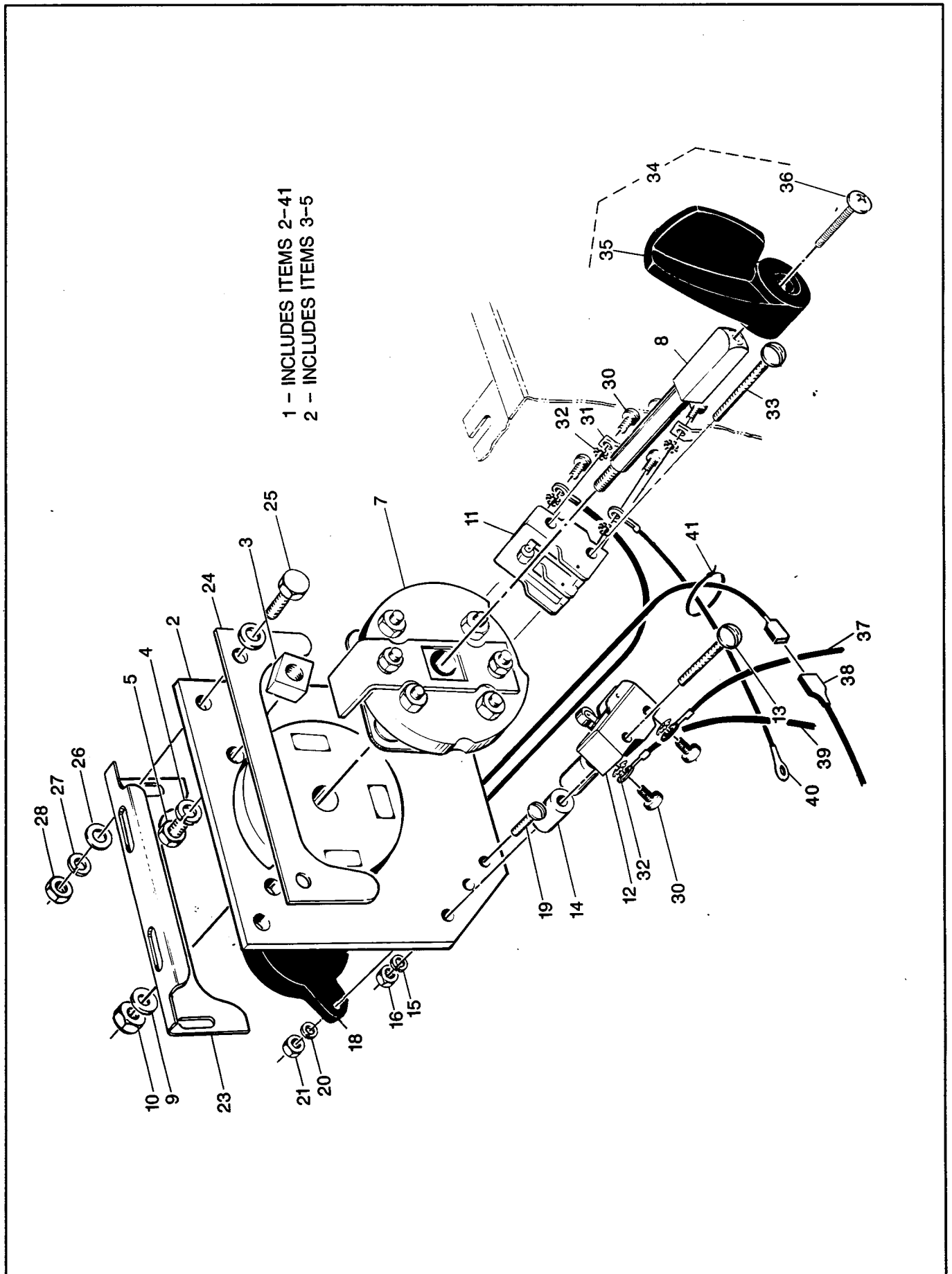
3 WHEEL	4 WHEEL
---------	---------

ITEM	PART NO.	1	2	3	4	5	DESCRIPTION	QTY	
								3 WHEEL	4 WHEEL
34	20325-G1						SWITCH HANDLE KIT (INCLUDES ITEMS 35 AND 36)	1	1
35	19886-G1						HANDLE, PLASTIC	1	1
36	00740-G4						SCREW, #10 - 32 X 1/2 LG.	1	1

DIRECTION SELECTOR

ELECTRIC POWERED VEHICLE

VEHICLES EQUIPPED WITH SOLID STATE CONTROL MODULE ONLY



DIRECTION SELECTOR

ELECTRIC POWERED VEHICLE

VEHICLES EQUIPPED WITH SOLID STATE CONTROL MODULE ONLY

THE USE OF NON U.L. PARTS WILL VOID ANY U.L. LISTING.

When ordering parts, please specify the model and serial number of the product.

* Indicates a component that is not available as an individual part.

3 WHEEL	4 WHEEL
---------	---------

ITEM	PART NO.	1	2	3	4	5	DESCRIPTION	QTY	
								3 WHEEL	4 WHEEL
1	25259-G2						FORWARD-NEUTRAL-REVERSE SWITCH ASSEMBLY (INCLUDES ITEMS 2 - 41)	1	1
2	14651-G1						CONTACT BOARD ASSEMBLY (INCLUDES ITEMS 3 - 5)	1	1
3	24940-G1						STOP	2	2
4	00565-G7						WASHER, LOCK, 1/4	2	2
5	00414-G6						SCREW, 1/4 - 20 X 3/4 LG.	2	2
6									
7	12835-G1						CAM UNIT, FORWARD-NEUTRAL-REVERSE SWITCH	1	1
8	19470-G1						SHAFT, FORWARD-NEUTRAL-REVERSE SWITCH	1	1
9	00560-G1						WASHER, 3/8	1	1
10	14390-G1						NUT, LOCK, 3/8 - 24	1	1
11	12796-G1						SWITCH, MICRO, DOUBLE	1	1
12	10606-G4						SWITCH, MICRO	1	1
13	00139-G6						SCREW, #6 - 32 X 1 3/4 LG.	2	2
14	12806-G1						SPACER, MICRO SWITCH	2	2
15	00565-G3						WASHER, LOCK, #6	4	4
16	00525-G5						NUT, #6 - 32	4	4
17									
18	17940-G1						BUZZER	1	1
19	00138-G5						SCREW, #6 - 32 X 5/8 LG.	2	2
20	00565-G3						WASHER, LOCK, #6	2	2
21	00525-G5						NUT, #6 - 32	2	2
22									
23	12863-G1						BRACKET, MOUNTING	1	1
24	15461-G1						SUPPORT, BRACKET MOUNTING	1	1
25	00414-G8						SCREW, 1/4 - 20 X 1 LG.	2	2
26	00559-G7						WASHER, 1/4	2	2
27	00565-G7						WASHER, LOCK, 1/4	2	2
28	00532-G1						NUT, 1/4 - 20	2	2
29									
30	13514-G1						SCREW, BRASS, #6 - 32 X .22 LG.	6	6
31	14628-G1						TAB, FASTON	2	2
32	00567-G3						WASHER, LOCK, EXTERNAL TOOTH, #6	6	6
33	00139-G8						SCREW, #6 - 32 X 2 LG.	2	2

DIRECTION SELECTOR

ELECTRIC POWERED VEHICLE

VEHICLES EQUIPPED WITH SOLID STATE CONTROL MODULE ONLY

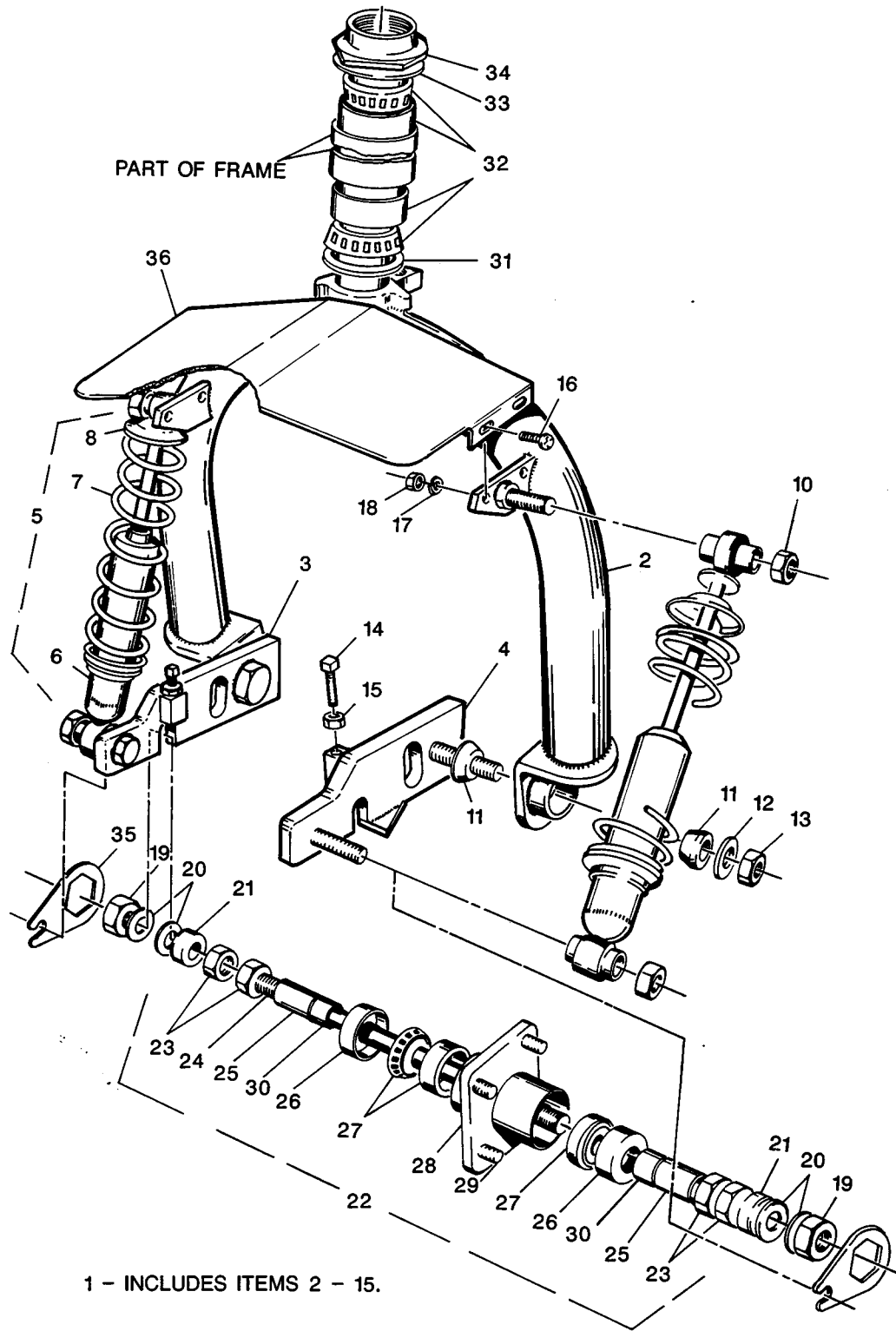
THE USE OF NON U.L. PARTS WILL VOID ANY U.L. LISTING.

When ordering parts, please specify the model and serial number of the product.

* Indicates a component that is not available as an individual part.

3 WHEEL	4 WHEEL
---------	---------

ITEM	PART NO.	1	2	3	4	5	DESCRIPTION	QTY	
								3 WHEEL	4 WHEEL
34	20325-G1						SWITCH HANDLE KIT (INCLUDES ITEMS 35 AND 36)	1	1
35	19886-G1						HANDLE, PLASTIC	1	1
36	00740-G4						SCREW, #10 - 32 X 1/2 LG.	1	1
37	14619-G2						WIRE (BLUE)	1	1
38	21743-G1						WIRE (BLACK)	1	1
39	23862-G2						WIRE (RED)	1	1
40	23645-G1						WIRE	1	1
41	17618-G1						CLAMP, NYLON	3	3



FORK

ELECTRIC POWERED VEHICLE

THE USE OF NON U.L. PARTS WILL VOID ANY U.L. LISTING.

When ordering parts, please specify the model and serial number of the product.

* Indicates a component that is not available as an individual part.

3 WHEEL	4 WHEEL
---------	---------

ITEM	PART NO.	1	2	3	4	5	DESCRIPTION	QTY	
								3 WHEEL	4 WHEEL
1	17533-G3						FORK ASSEMBLY (INCLUDES ITEMS 2 - 15)	1	X
2	17537-G1						FORK	1	X
3	17542-G1						AXLE BRACKET, PASSENGER SIDE	1	X
4	17542-G2						AXLE BRACKET, DRIVER'S SIDE	1	X
5	19796-G3						SHOCK ABSORBER ASSEMBLY (INCLUDES ITEMS 6 - 8)	2	X
6	17907-G1						SHOCK ABSORBER	1	X
7	19795-G2						SPRING, COMPRESSION	1	X
8	17816-G2						RETAINER, SPRING	1	X
9									
10	00897-G1						NUT, LOCK, 1/2 - 13	4	X
11	15588-G1						BUSHING, PIVOT	4	X
12	00653-G5						WASHER, 5/8	2	X
13	00654-G7						NUT, LOCK, 5/8 - 11	2	X
14	00655-G4						SETSCREW, SQUARE HEAD, 1/4 - 20 X 1 3/4 LG.	2	X
15	00898-G1						NUT, 1/4 - 20	2	X
16	00671-G4						SCREW, #10 - 24 X 1/2 LG.	4	X
17	00882-G5						WASHER, LOCK, #10	4	X
18	00896-G3						NUT, #10 - 24	4	X
19	00894-G1						NUT, LOCK, 3/4 - 16	2	X
20	00985-G6						WASHER, 3/4	4	X
21	17650-G2						RING, ADJUSTER	2	X
22	17535-G2						HUB AND AXLE ASSEMBLY (INCLUDES ITEMS 23 - 30)	1	X
23	00899-G8						NUT, 3/4 - 16	4	X
24	10223-G5						AXLE, FRONT	1	X
25	17536-G2						SPACER, AXLE	2	X
26	19471-G1						SEAL, GREASE	2	X
27	11750-G1						BEARING, ROLLER	2	X
28	19888-G1						HUB ASSEMBLY (INCLUDES ITEM 29)	1	X
29	19862-G1						BOLT, HUB, 1/2 - 20	4	X
30	11655-G1						SPACER, AXLE	2	X
31	13136-G1						SPACER	1	X
32	13756-G1						BEARING, ROLLER	2	X
33	10669-G3						WASHER, SPECIAL	1	X
34	11098-G1						NUT, LOCK, 1 3/8 - 12	1	X

FORK

ELECTRIC POWERED VEHICLE

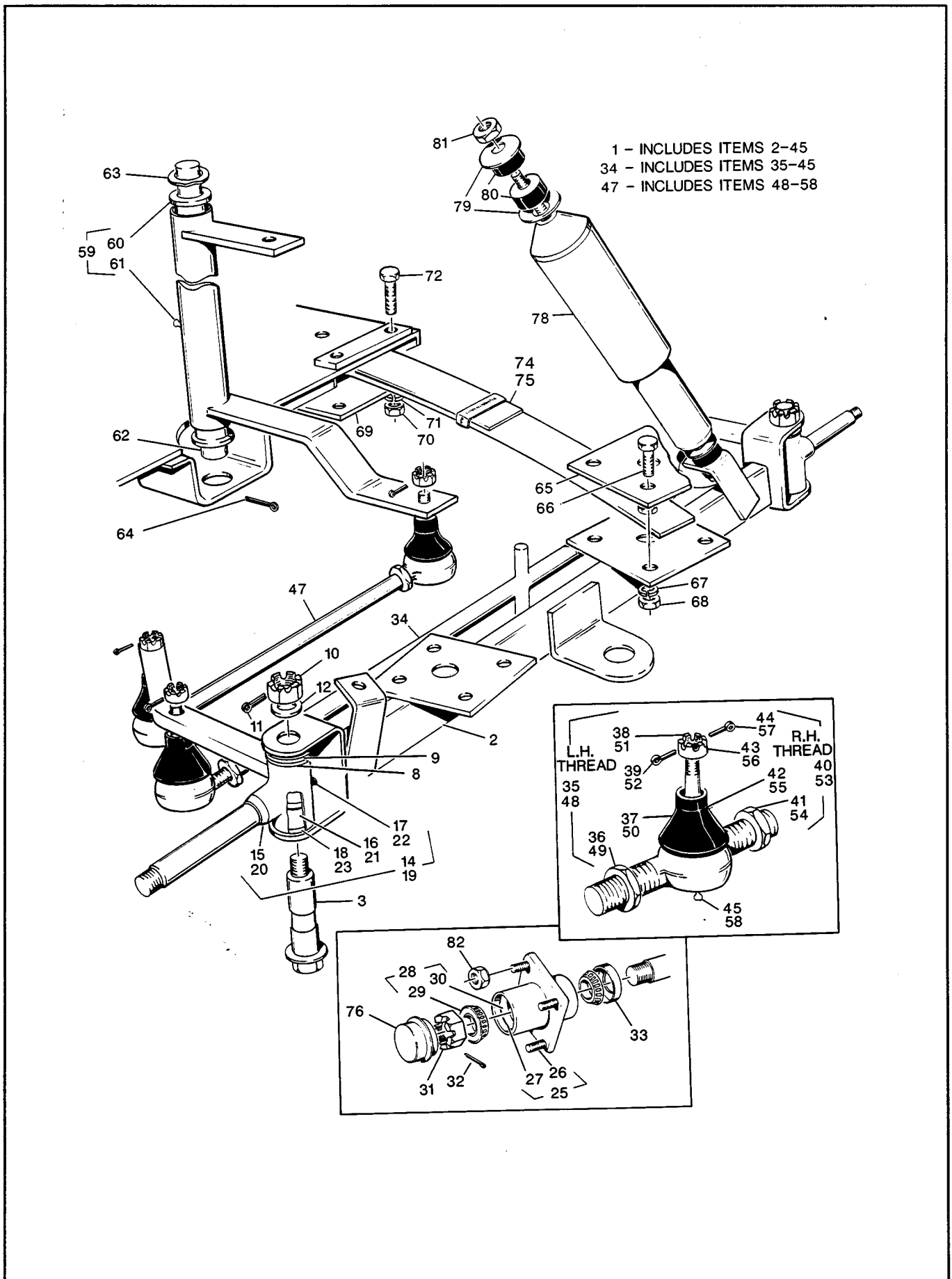
THE USE OF NON U.L. PARTS WILL VOID ANY U.L. LISTING.

When ordering parts, please specify the model and serial number of the product.

* Indicates a component that is not available as an individual part.

3 WHEEL	4 WHEEL
---------	---------

ITEM	PART NO.						DESCRIPTION	QTY	
		1	2	3	4	5		3 WHEEL	4 WHEEL
35	18256-G2						RETAINER, AXLE NUT	2	X
36	15643-G1						SHIELD	1	X



FOUR WHEEL FRONT SUSPENSION

ELECTRIC POWERED VEHICLE

THE USE OF NON U.L. PARTS WILL VOID ANY U.L. LISTING.

When ordering parts, please specify the model and serial number of the product.

* Indicates a component that is not available as an individual part.

ITEM	PART NO.	1	2	3	4	5	DESCRIPTION	QTY	
								3 WHEEL	4 WHEEL
1	24054-G5	FRONT AXLE ASSEMBLY (INCLUDES ITEMS 2 - 45)						X	1
2	23918-G2	AXLE						X	1
3	25177-G2	KING PIN						X	2
4									
5									
6									
7									
8	16982-G1	BEARING, THRUST						X	2
9	00879-G7	WASHER, 7/8						X	2
10	00886-G1	NUT, SLOTTED, 5/8 - 18						X	2
11	19060-G1	COTTER PIN, 1/4 X 1 1/2 LG.						X	2
12	00879-G5	WASHER, 5/8						X	2
13									
14	23925-G1	SPINDLE ASSEMBLY, DRIVER'S SIDE (INCLUDES ITEMS 15 - 18) ..						X	1
15	*	SPINDLE , DRIVER'S SIDE						X	1
16	16623-G1	BEARING, BRONZE						X	2
17	10389-G3	GREASE FITTING						X	1
18	16626-G1	SEAL						X	1
19	23924-G2	SPINDLE ASSEMBLY, PASSENGER SIDE (INCLUDES ITEMS 20 - 23)						X	1
20	*	SPINDLE, PASSENGER SIDE						X	1
21	16623-G1	BEARING, BRONZE						X	2
22	10389-G3	GREASE FITTING						X	1
23	16626-G1	SEAL						X	1
24									
25	19932-G1	HUB ASSEMBLY (INCLUDES ITEMS 26 AND 27)						X	2
26	19862-G1	BOLT, HUB, 1/2 - 20						X	4
27	*	RACE, BEARING						X	2
28	50892-G1	BEARING AND RACE ASSEMBLY (INCLUDES ITEMS 29 AND 30) ...						X	2
29	11750-G2	ROLLER, BEARING						X	2
30	*	RACE, BEARING						X	2
31	12093-G1	NUT, SLOTTED, 1 - 14						X	2
32	00798-G8	COTTER PIN, 5/32 X 1 3/4 LG.						X	2
33	25146-G1	SEAL						X	1
34	19202-G1	TIE ROD ASSEMBLY (INCLUDES ITEMS 35 - 45)						X	1

FOUR WHEEL FRONT SUSPENSION

ELECTRIC POWERED VEHICLE

THE USE OF NON U.L. PARTS WILL VOID ANY U.L. LISTING.

When ordering parts, please specify the model and serial number of the product.

* Indicates a component that is not available as an individual part.

ITEM	PART NO.	1	2	3	4	5	DESCRIPTION	QTY	
								3 WHEEL	4 WHEEL
35	20795-G1						TIE ROD END ASSEMBLY, L.H. THREAD (INCLUDES ITEMS 36 - 39)	X	1
36	18434-G1						NUT, 9/16 - 18, L.H. THREAD	X	1
37	50641-G1						BOOT, RUBBER	X	1
38	50209-G1						NUT, SLOTTED 7/16 - 20	X	1
39	10387-G2						COTTER PIN 3/16 X 1 LG.	X	1
40	20795-G2						TIE ROD END ASSEMBLY, R.H. THREAD (INCLUDES ITEMS 41 - 44)	X	1
41	18434-G2						NUT, 9/16 - 18, R.H. THREAD	X	1
42	50641-G1						BOOT, RUBBER	X	1
43	50209-G1						NUT, SLOTTED 7/16 - 20	X	1
44	10387-G2						COTTER PIN 3/16 X 1 LG.	X	1
45	10389-G3						GREASE FITTING	X	2
46									
47	18377-G1						TIE ROD ASSEMBLY (INCLUDES ITEMS 48 - 58)	X	1
48	20795-G1						TIE ROD END ASSEMBLY, L.H. THREAD (INCLUDES ITEMS 49 - 52)	X	1
49	18434-G1						NUT, 9/16 - 18, L.H. THREAD	X	1
50	50641-G1						BOOT, RUBBER	X	1
51	50209-G1						NUT, SLOTTED, 7/16 - 20	X	1
52	10387-G2						COTTER PIN, 3/16 X 1 LG.	X	1
53	20795-G2						TIE ROD END ASSEMBLY, R.H. THREAD (INCLUDES ITEMS 54 - 57)	X	1
54	18434-G2						NUT, 9/16 - 18, R.H. THREAD	X	1
55	50641-G1						BOOT, RUBBER	X	1
56	50209-G1						NUT, SLOTTED, 7/16 - 20	X	1
57	10387-G2						COTTER PIN, 3/16 X 1 LG.	X	1
58	10389-G3						GREASE FITTING	X	2
59	23929-G1						IDLER ASSEMBLY (INCLUDES ITEMS 60 AND 61)	X	1
60	15012-G1						BUSHING, FLANGED	X	2
61	10389-G3						GREASE FITTING	X	1
62	16417-G2						SHAFT, IDLER	X	1
63	13221-G1						WASHER, WAVE TYPE, SPRING	X	1
64	10387-G1						COTTER PIN, 1/4 X 1 1/2 LG.	X	1
65	15023-G2						RETAINER, SPRING	X	2

FOUR WHEEL FRONT SUSPENSION

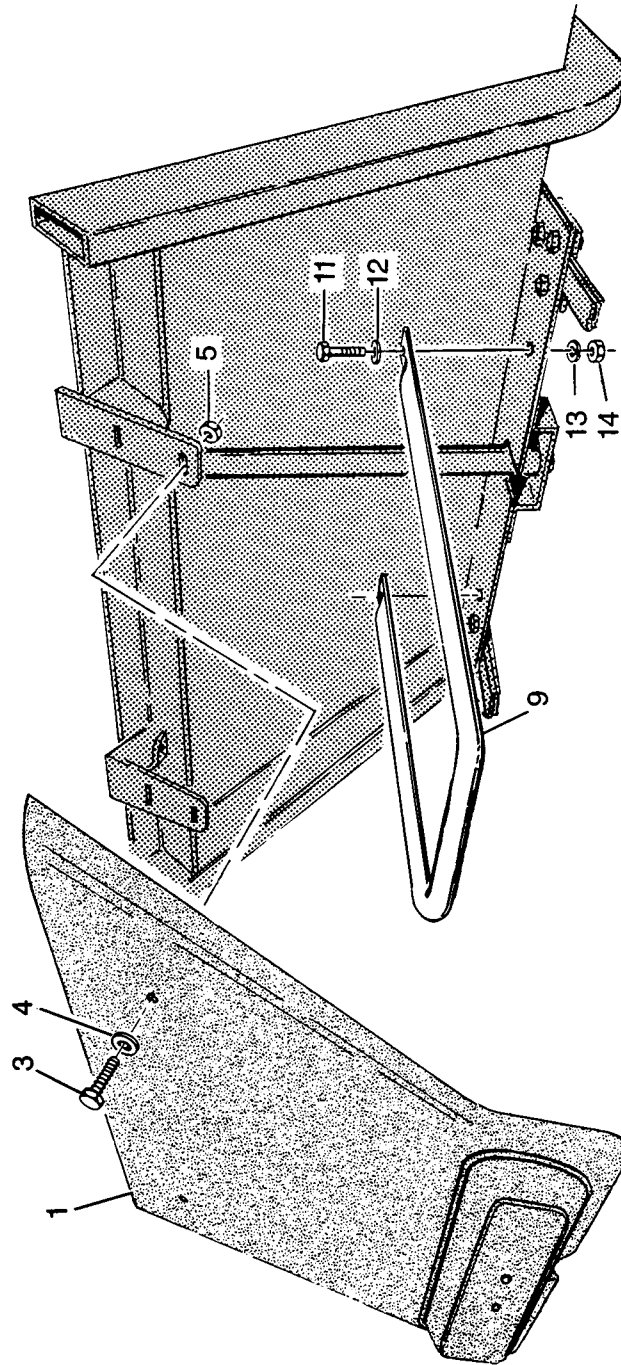
ELECTRIC POWERED VEHICLE

THE USE OF NON U.L. PARTS WILL VOID ANY U.L. LISTING.

When ordering parts, please specify the model and serial number of the product.

* Indicates a component that is not available as an individual part.

ITEM	PART NO.	1	2	3	4	5	DESCRIPTION	QTY	
								3 WHEEL	4 WHEEL
66	00876-G4						SCREW, BLACK, 3/8 - 16 X 1 1/2 LG.	X	8
67	00878-G1						WASHER, LOCK, BLACK, 3/8	X	8
68	00877-G5						NUT, BLACK, 3/8 - 16	X	8
69	15023-G2						RETAINER, SPRING	X	2
70	00532-G5						NUT, 3/8 - 16	X	6
71	00566-G1						WASHER, LOCK, 3/8	X	6
72	00427-G6						SCREW, 3/8 - 16 X 2 LG.	X	6
73									
74	24025-G1						LEAF SPRING (2 LEAF)	X	2
75									
76	12091-G1						CAP, SPINDLE	X	2
77									
78	15707-G1						SHOCK ABSORBER	X	2
79	10435-G1						WASHER, 13/32	X	8
80	10194-G1						BUSHING, RUBBER	X	8
81	00532-G6						NUT, 3/8 - 24	X	4
82	14723-G1						NUT, LUG, 1/2-20	X	8



FRONT SHIELD

ELECTRIC POWERED VEHICLE

THE USE OF NON U.L. PARTS WILL VOID ANY U.L. LISTING.

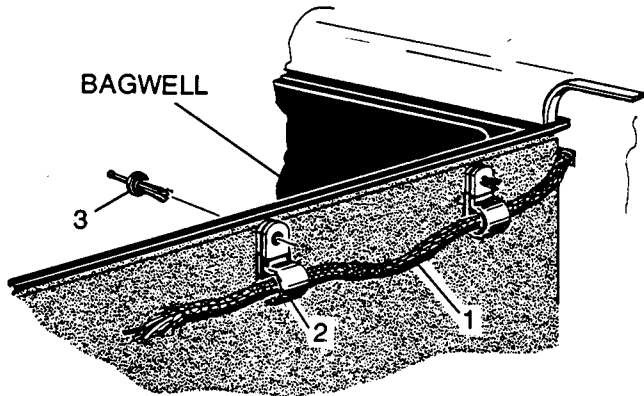
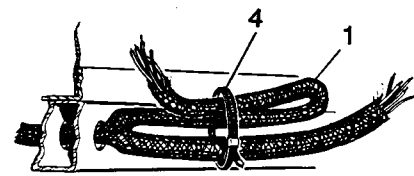
When ordering parts, please specify the model and serial number of the product.

* Indicates a component that is not available as an individual part.

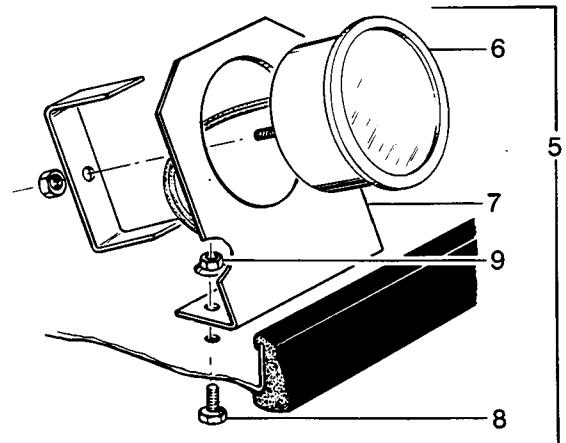
4 WHEEL

ITEM	PART NO.	1 2 3 4 5	DESCRIPTION	QTY
1	23881-G1		SHIELD	1
2				
3	00414-G8		SCREW, 1/4 - 20 X 1 LG.	2
4	00559-G7		WASHER, 1/4	2
5	14390-G4		NUT, LOCK, 1/4 - 20	2
6				
7				
8				
9	25054-G1		SUPPORT, SHIELD	1
10				
11	00258-G8		SCREW, 3/8-16 X 1 LG.	2
12	005660-G1		WASHER, 3/8	2
13	00566-G1		WASHER, LOCK, 3/8	2
14	00532-G5		NUT, 3/8-16	2

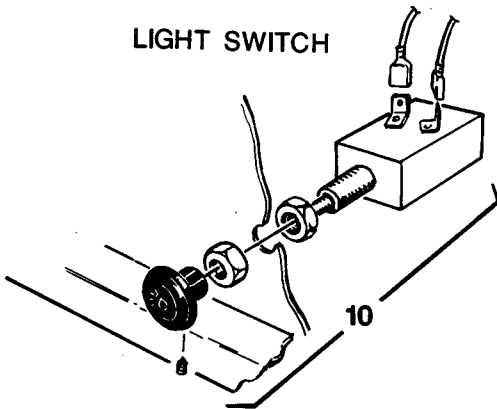
ACCESSORY WIRING HARNESS



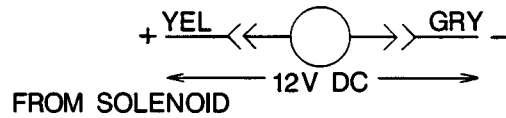
HOUR METER



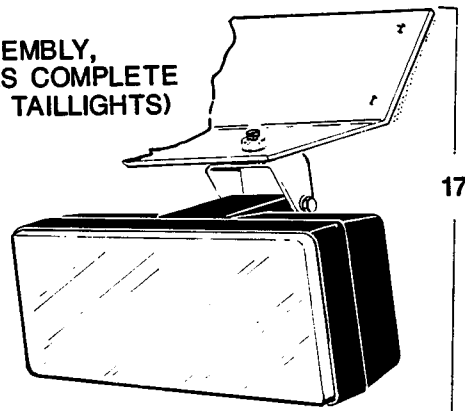
LIGHT SWITCH

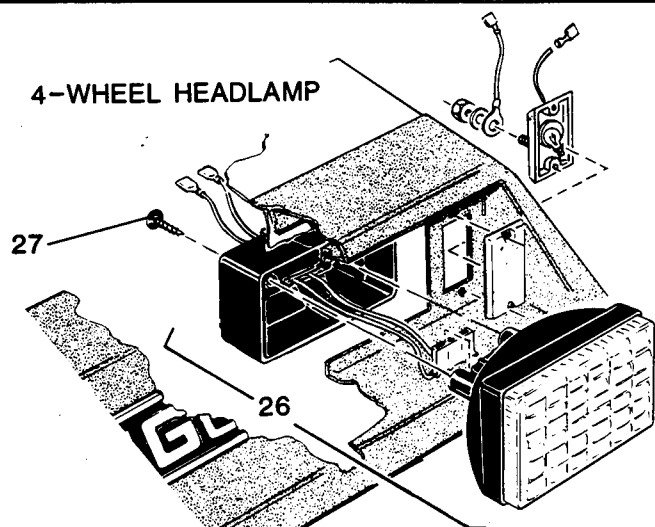


HOUR METER WIRING



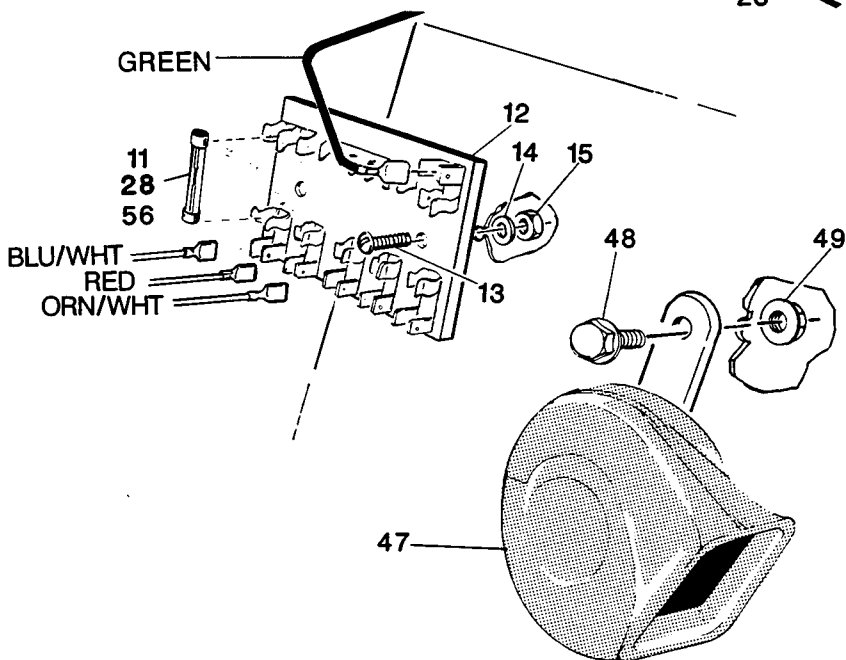
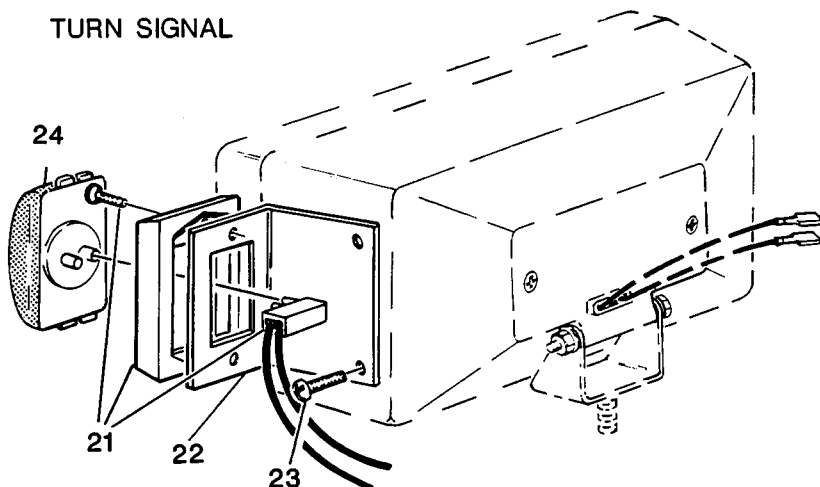
**HEAD AND TAILLIGHTS ASSEMBLY,
4-WHEEL GOLF CARS ONLY (COMES COMPLETE
WITH HARNESS, HEADLIGHTS, AND TAILLIGHTS)**

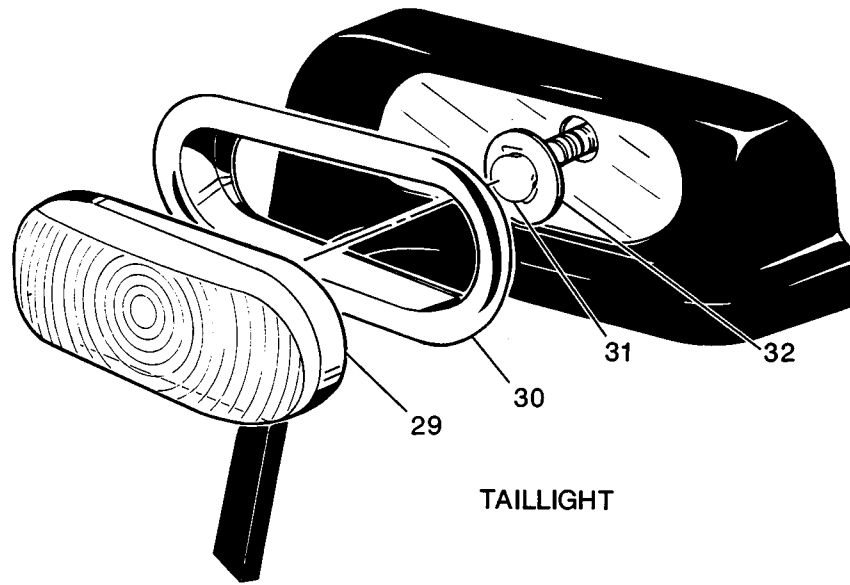




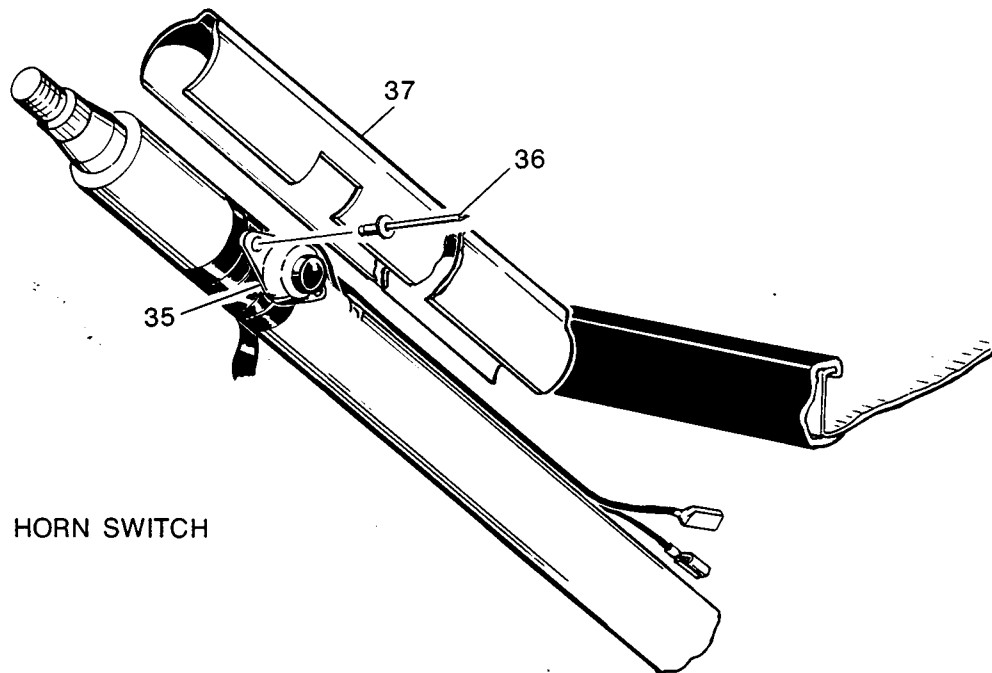
NOTE: TO INSTALL HEADLIGHT, REMOVE AND DISCARD EXISTING SCREWS AND REPLACE THEM WITH ITEM 21 AFTER INSTALLATION.

TURN SIGNAL

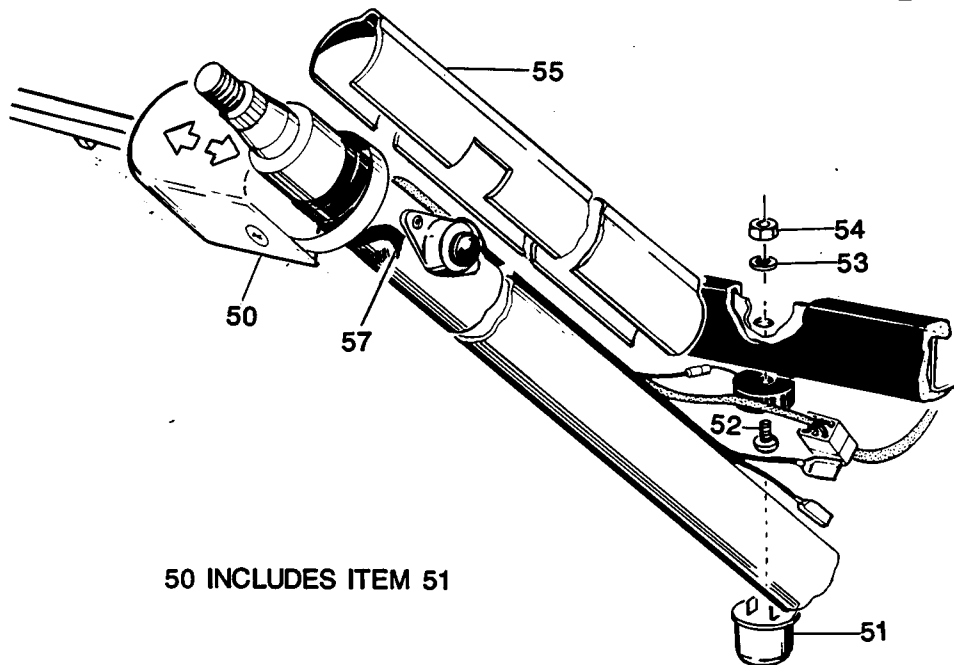
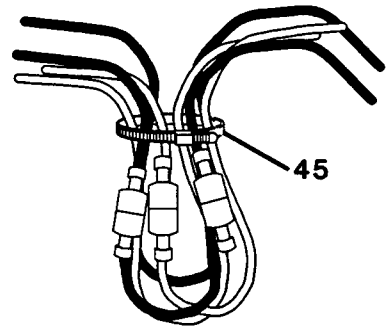
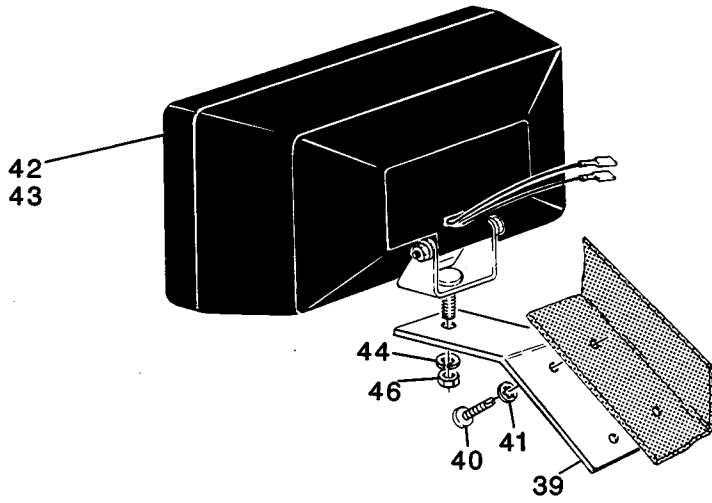




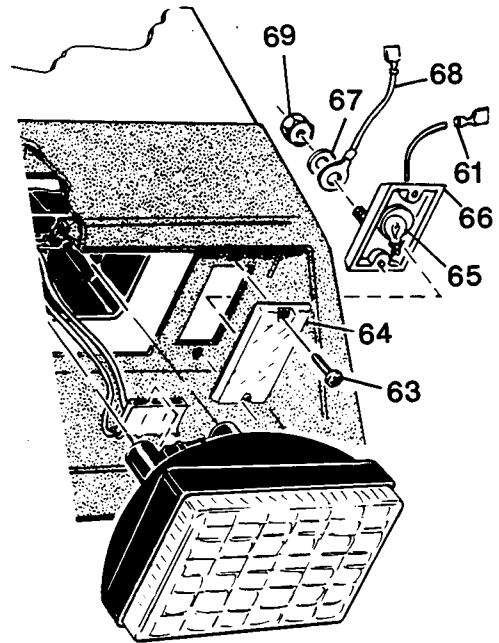
TAILLIGHT



HORN SWITCH

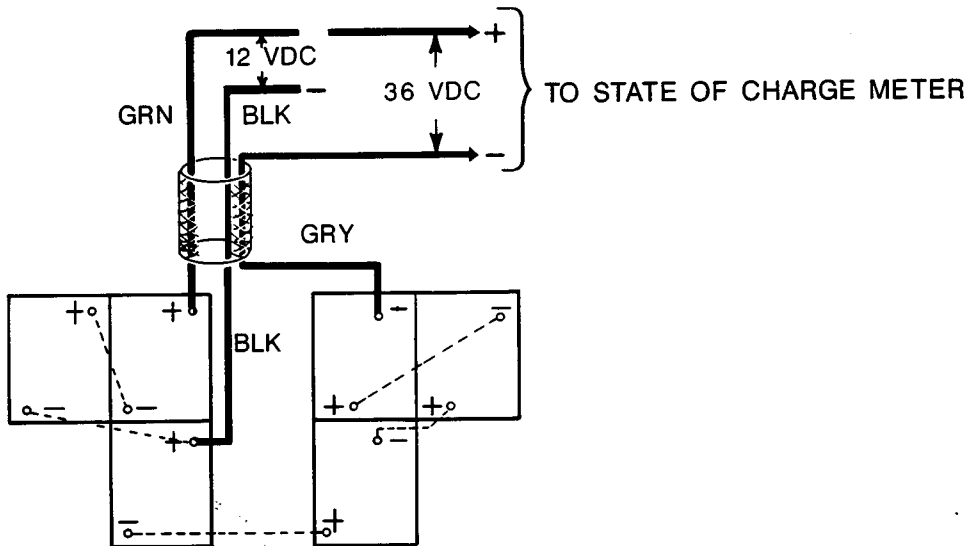


50 INCLUDES ITEM 51

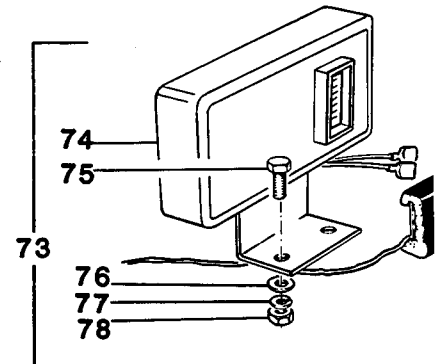
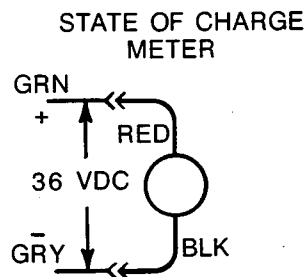


60 INCLUDES ITEM 61 TO 69
62 INCLUDES ITEM 63 TO 66

ACCESSORY HARNESS CONNECTIONS



STATE OF CHARGE METER



HORN AND ACCESSORY WIRING

ELECTRIC POWERED VEHICLE

THE USE OF NON U.L. PARTS WILL VOID ANY U.L. LISTING.

When ordering parts, please specify the model and serial number of the product.

* Indicates a component that is not available as an individual part.

ITEM	PART NO.	1	2	3	4	5	DESCRIPTION	3	4
								WHEEL	WHEEL
								QTY	
1	22069-G1						WIRING HARNESS	1	1
2	11845-G5						CLIP, CABLE, INSULATED	3	3
3	18436-G1						RIVET, DRIVE, PLASTIC	3	3
4	17618-G1						CLAMP, NYLON	5	5
5	19318-G2						HOUR METER KIT (INCLUDES ITEMS 6 - 9)	1	1
6	21573-G1						HOUR METER (INCLUDES MOUNTING HARDWARE)	1	1
7	18001-G1						BRACKET, HOUR METER	1	1
8	00414-G4						SCREW, 1/4 - 20 X 1/2 LG.	2	2
9	11027-G2						NUT, LOCK, 1/4 - 20	2	2
10	18431-G1						SWITCH, HEADLAMP	1	1
11	18392-G1						FUSE, 15 AMP (HOUR METER)	1	1
12	22674-G1						FUSE BLOCK	1	1
13	00138-G4						SCREW, #6 - 32 X 1/2 LG.	2	2
14	00565-G3						WASHER, LOCK, #6	2	2
15	00525-G5						NUT, #6 - 32	2	2
16									
17	20062-G1						HEAD AND TAILLAMP ASSEMBLY	X	1
18									
19									
20									
21	18927-G1						MOUNT KIT, TURN SIGNAL	2	2
22	21806-G1						BRACKET, TURN SIGNAL	2	2
23	00598-G4						SCREW, SELF DRILL AND TAP, #8-18 X 1/2 LG.	4	4
24	19180-G2						SIGNAL LAMP, YELLOW	2	2
25									
26	23686-G1						HEADLAMP (REQUIRES ITEM 27 FOR INSTALLATION)	X	2
27	00906-G6						SCREW, 10 - 16 X 1 LG.	X	2
28	18392-G2						FUSE, 20 AMPS (HEADLIGHTS AND TAIL LIGHTS)	1	1
29	22000-G1						LENS, TAILLIGHT	X	1
30	21999-G1						GROMMET	X	1
31	21759-G1						BULB	X	1
32	21998-G2						SOCKET	X	1
33									
34									

HORN AND ACCESSORY WIRING

ELECTRIC POWERED VEHICLE

THE USE OF NON U.L. PARTS WILL VOID ANY U.L. LISTING.

When ordering parts, please specify the model and serial number of the product.

* Indicates a component that is not available as an individual part.

ITEM	PART NO.	1	2	3	4	5	DESCRIPTION	QTY	
								3 WHEEL	4 WHEEL
35	22242-G1						SWITCH, HORN (INCLUDES WIRES)	1	1
36	14601-G8						RIVET	2	2
37	20961-G3						COVER, STEERING COLUMN (WITHOUT TURN SIGNALS)	1	1
38									
39	22274-G1						BRACKET, HEADLAMP MOUNTING	2	X
40	00106-G6						SCREW, SELF DRILL AND TAP,#12-24X3/4 LG.	4	X
41	00594-G7						WASHER, LOCK, INTERNAL TOOTH, 1/4	4	X
42	20209-G2						HEADLAMP ASSEMBLY	2	X
43	22523-G1						BULB, HALOGEN, REPLACEMENT	2	X
44	00566-G3						WASHER, LOCK, 1/2	4	X
45	16172-G1						CLAMP, NYLON	4	X
46	00533-G1						NUT, 1/2-13	4	X
47	32860-G1						HORN	1	1
48	13437-G9						SCREW, 1/4 - 20 X 3/4 LG	1	1
49	11027-G2						NUT, LOCK, 1/4 - 20	1	1
50	17867-G1						SWITCH, TURN SIGNAL ASSEMBLY (INCLUDES ITEM 51)	1	1
51	21640-G1						FLASHER, TURN SIGNAL	1	1
52	00372-G4						SCREW, #8 - 32 X 1/2 LG.	1	1
53	00565-G4						WASHER, LOCK, #8	1	1
54	00526-G1						NUT, #8 - 32	1	1
55	20965-G3						COVER, STEERING COLUMN (WITH TURN SIGNALS)	1	1
56	18392-G2						FUSE, 20 AMP (TURN SIGNALS)	1	1
57	19344-G1						TAPE, VINYL	AR	AR
58									
59									
60	20570-G2						TURN SIGNAL ASSEMBLY (FREEDOM) (INCLUDES ITEMS 61 - 66)	X	2
61	18995-G1						TERMINAL, MALE	X	1
62	20574-G2						TURN SIGNAL, AMBER (INCLUDES ITEMS 63 - 66)	X	1
63	*						SCREW,	X	2
64	*						LENS, TURN SIGNAL	X	1
65	21760-G1						BULB	X	1
66	*						HOUSING, TURN SIGNAL	X	1
67	00563-G7						WASHER, LOCK, 1/4	X	1
68	20606-G1						WIRE, JUMPER	X	1

HORN AND ACCESSORY WIRING

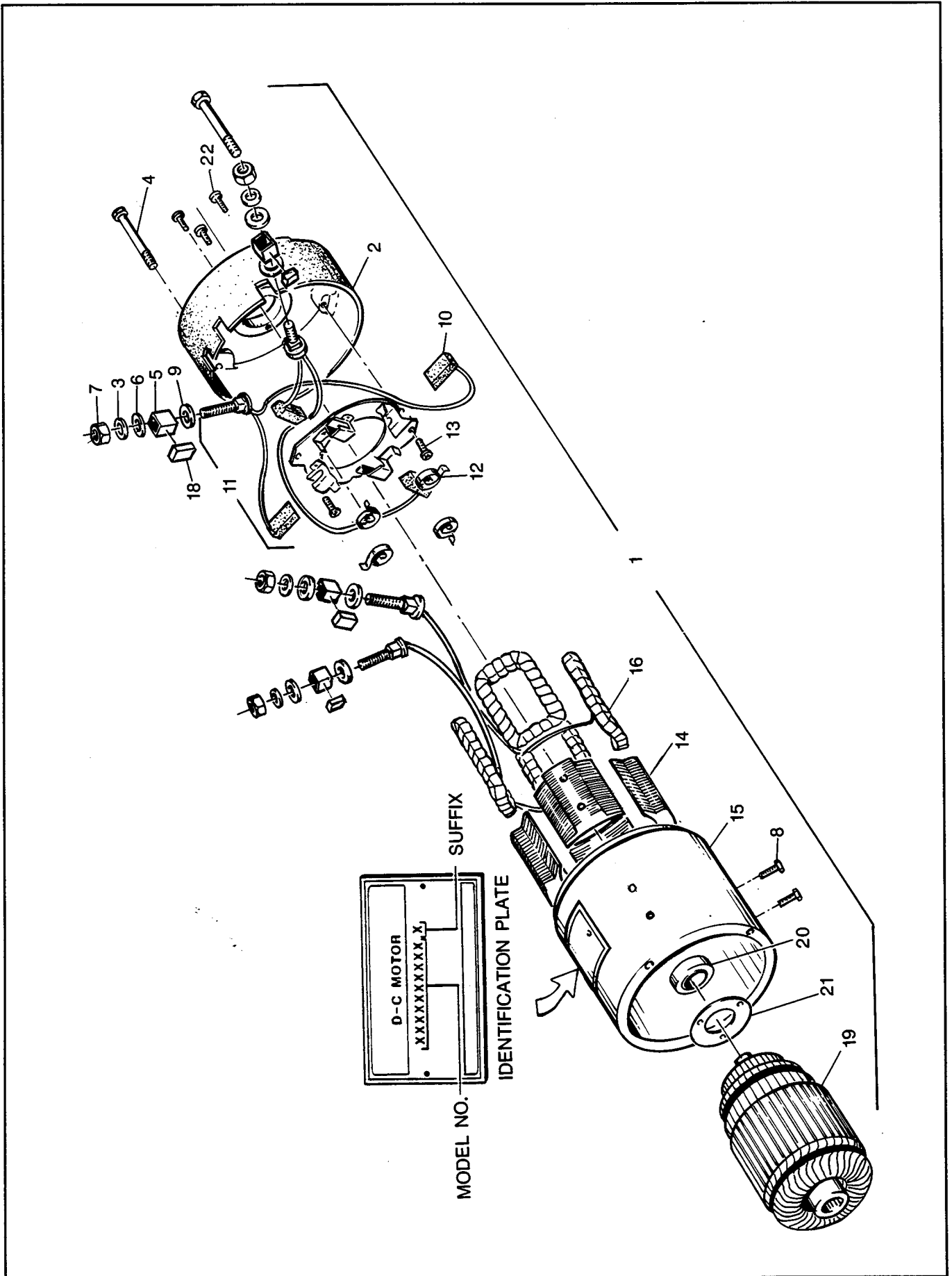
ELECTRIC POWERED VEHICLE

THE USE OF NON U.L. PARTS WILL VOID ANY U.L. LISTING.

When ordering parts, please specify the model and serial number of the product.

* Indicates a component that is not available as an individual part.

ITEM	PART NO.	1	2	3	4	5	DESCRIPTION	3	4
								WHEEL	WHEEL
								QTY	
69	00532-G1						NUT, LOCK, 1/4-20	X	1
70									
71									
72									
73	19197-G3						METER KIT, STATE OF CHARGE (SQUARE) (INCLUDES ITEMS 74 - 78)	1	1
74	19196-G2						METER, STATE OF CHARGE	1	1
75	00372-G5						SCREW, #8 - 32 X 5/8 LG.	2	2
76	00559-G4						WASHER, #8	2	2
77	00565-G4						WASHER, LOCK, #8	2	2
78	00526-G1						NUT, #8 - 32	2	2



MOTOR

ELECTRIC POWERED VEHICLE

THE USE OF NON U.L. PARTS WILL VOID ANY U.L. LISTING.

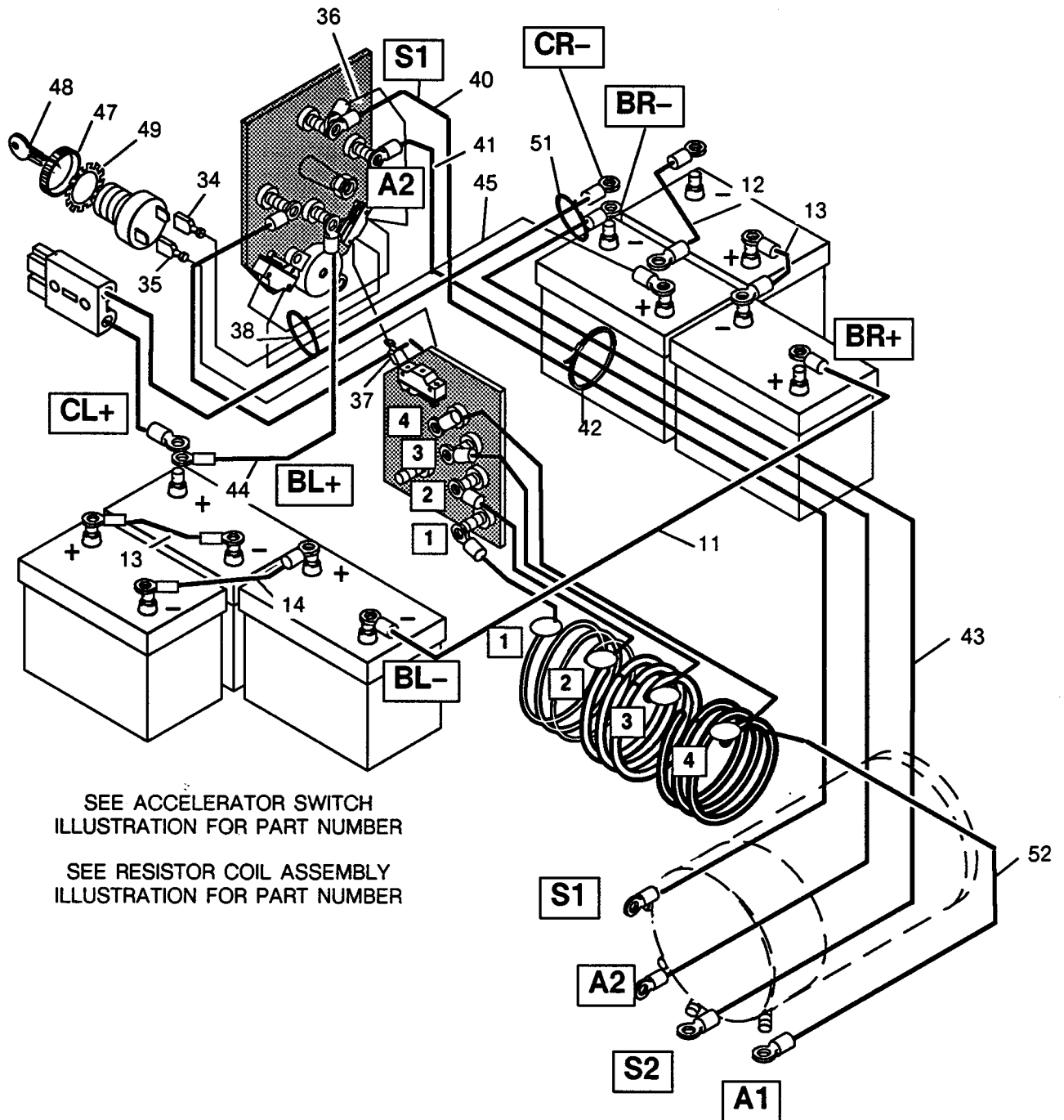
When ordering parts, please specify the model and serial number of the product.

* Indicates a component that is not available as an individual part.

ITEM	PART NO.	1	2	3	4	5	DESCRIPTION	QTY	
								3 WHEEL	4 WHEEL
1	22858-G1						MOTOR (INCLUDES ITEMS 2 -22)	1	1
2	16922-G1						ENDSHIELD, COMMUTATOR END	1	1
3	13483-G1						WASHER	4	4
4	16919-G1						SCREW, MOTOR CLAMP	2	2
5	15437-G1						BUSHING, INSULATOR	4	4
6	15438-G1						WASHER, INSULATOR	4	4
7	15440-G1						NUT, LOCK	4	4
8	23234-G1						SCREW, POLE PIECE	8	8
9	15442-G1						WASHER, INSULATOR, TERMINAL	4	4
10	16917-G1						BRUSH	2	2
11	16916-G1						BRUSH RIGGING (INCLUDES ITEM 12)	1	1
12	15446-G1						BRUSH SPRING	4	4
13	51333-G1						SCREW, BRUSH RIGGING MOUNT	2	2
14	*						FIELD POLE PIECES	4	4
15	*						SHELL, STATOR	1	1
16	23235-G1						FIELD COILS (SET)	1	1
17									
18	16948-G1						GASKET	4	4
19	*						ARMATURE	1	1
20	16918-G1						BALL BEARING, COMMUTATOR END	1	1
21	16930-G1						RETAINER, BEARING	1	1
22	23236-G1						SCREW, BEARING RETAINER	3	3

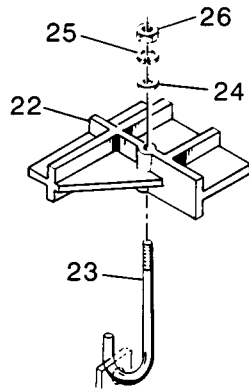
RESISTOR COIL VERSION

33 INCLUDES ITEMS 34-38
39 INCLUDES ITEMS 40-43
46 INCLUDES ITEMS 47-49

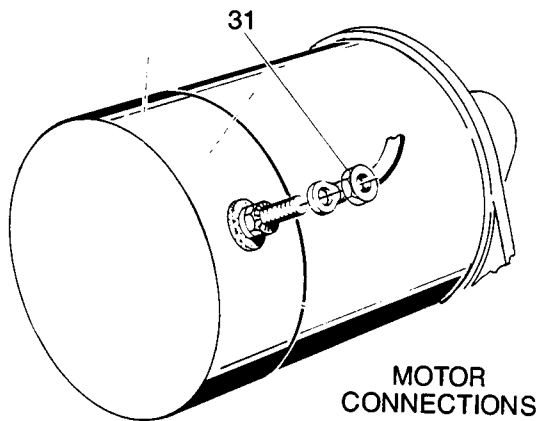
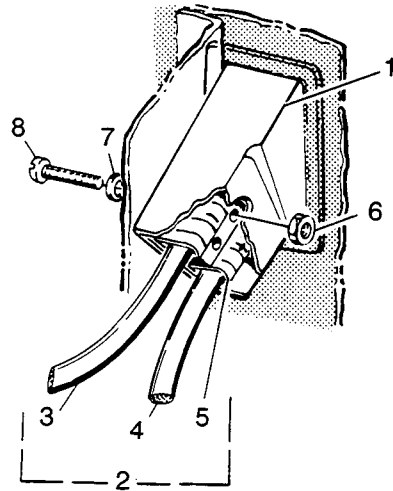


SEE ACCELERATOR SWITCH
ILLUSTRATION FOR PART NUMBER

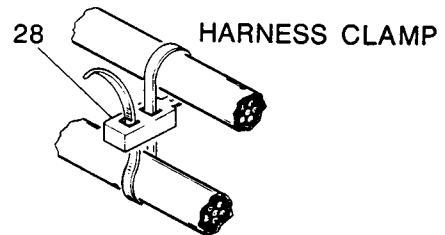
SEE RESISTOR COIL ASSEMBLY
ILLUSTRATION FOR PART NUMBER



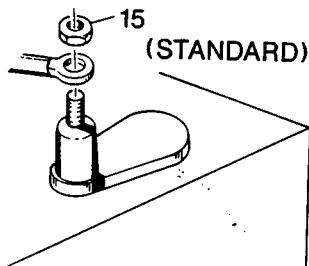
CHARGER RECEPTACLE



MOTOR CONNECTIONS

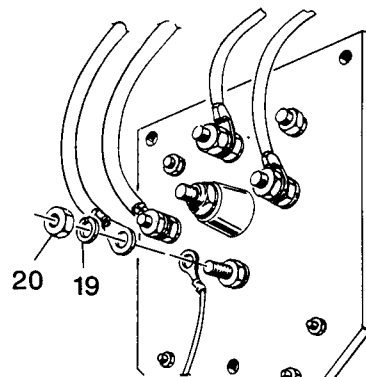


HARNES CLAMP



(STANDARD)

FORWARD-NEUTRAL-REVERSE SWITCH CONNECTIONS



POWER WIRING

RESISTOR COIL VERSION

ELECTRIC POWERED VEHICLE

THE USE OF NON U.L. PARTS WILL VOID ANY U.L. LISTING.

When ordering parts, please specify the model and serial number of the product.

* Indicates a component that is not available as an individual part.

4 WHEEL

ITEM	PART NO.	1	2	3	4	5	DESCRIPTION	QTY
1	18724-G1						CHARGER RECEPTACLE HOLDER	1
2	18784-G1						WIRING HARNESS CHARGER CONNECTOR (INCLUDES ITEMS 3 - 5) ...	1
3	14852-G1						WIRE (CR-)	1
4	14852-G2						WIRE (CL+)	1
5	18782-G1						CONNECTOR, ANDERSON	1
6	14390-G9						NUT, LOCK, #6 - 32	2
7	00559-G3						WASHER, #6	2
8	00645-G2						SCREW, #6 - 32 X 1 1/4 LG.	2
9								
10								
11	11885-G4						WIRE	1
12	23540-G1						WIRE	1
13	11893-G1						WIRE	2
14	11894-G1						WIRE	1
15	00702-G2						NUT, 5/16 - 18	12
16	00270-G6						SCREW, 5/16 - 18 X 3/4 LG.	12
17	12649-G1						BOLT, BATTERY, SQUARE HEAD, 5/16 - 18 X 1 LG.	12
18								
19	00565-G8						WASHER, LOCK, 5/16	4
20	00702-G2						NUT, 5/16 - 18	4
21								
22	15736-G1						BATTERY HOLD DOWN	2
23	15734-G2						J BOLT, BATTERY	2
24	00559-G8						WASHER, 5/16	2
25	00565-G8						WASHER, LOCK, 5/16	2
26	00702-G2						NUT, 5/16 - 18	2
27								
28	23544-G1						CLAMP, NYLON, DOUBLE	4
29								
30	00567-G8						WASHER, LOCK, EXTERNAL TOOTH, 5/16	2
31	00532-G3						NUT, 5/16 - 18	4
32								
33	17868-G1						CONTROL WIRING HARNESS, F-N-R SWITCH (INCLUDES ITEMS 34 - 38)	1
34	14619-G2						WIRE (LIGHT BLUE)	1

POWER WIRING

ELECTRIC POWERED VEHICLE

RESISTOR COIL VERSION

THE USE OF NON U.L. PARTS WILL VOID ANY U.L. LISTING.

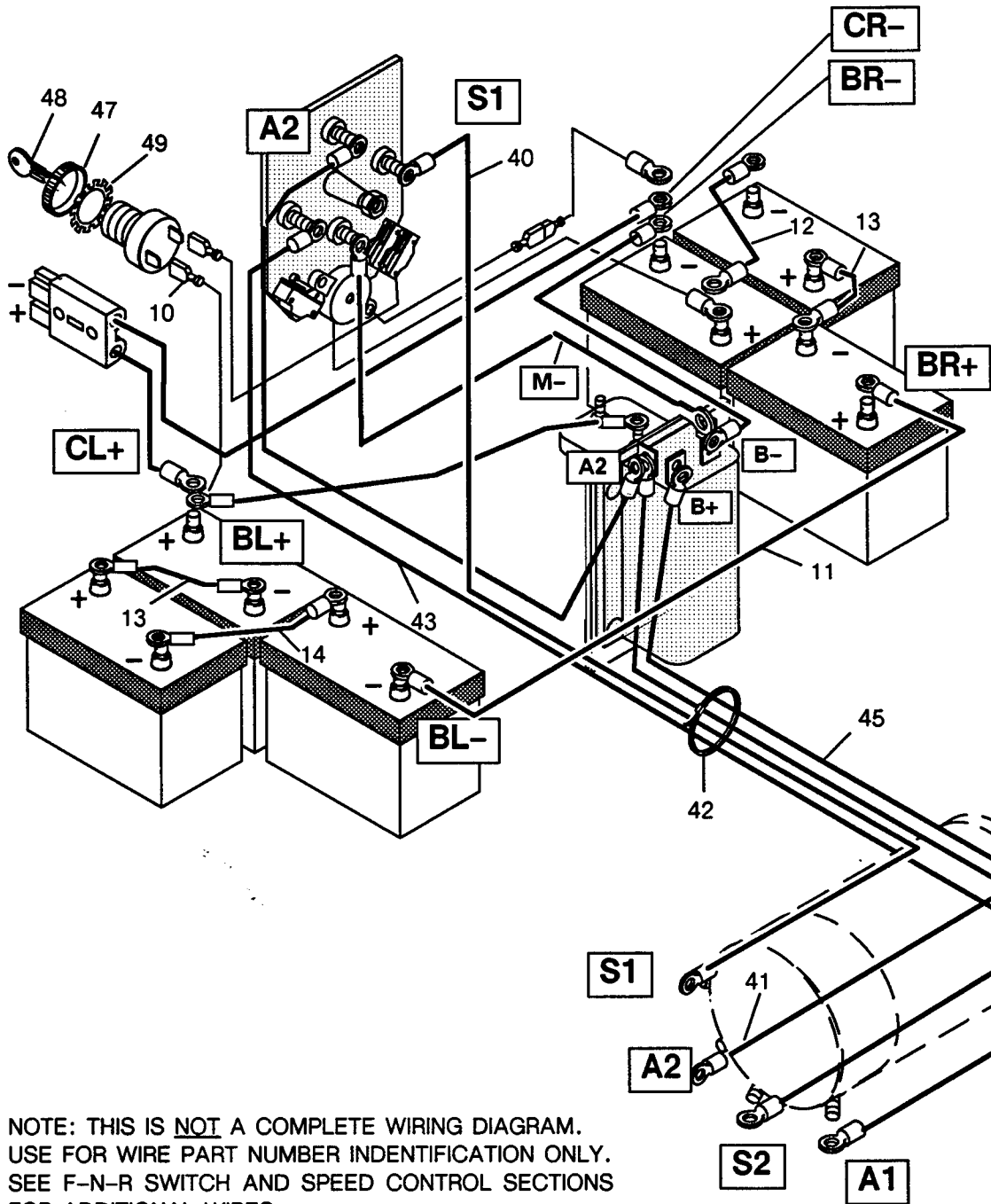
When ordering parts, please specify the model and serial number of the product.

*** Indicates a component that is not available as an individual part.**

4 WHEEL

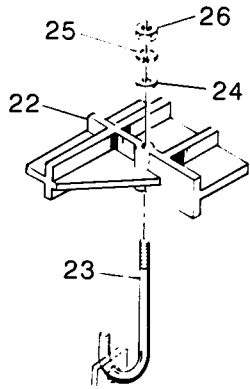
ITEM	PART NO.	1	2	3	4	5	DESCRIPTION	QTY
35	17870-G2						WIRE (YELLOW)	1
36	14615-G1						WIRE (BLACK)	1
37	17869-G1						WIRE (RED AND WHITE)	1
38	17618-G1						CLAMP, NYLON	2
39	18894-G1						WIRING HARNESS, F-N-R SWITCH (INCLUDES ITEMS 40 - 43)	1
40	17855-G1						WIRE (S1)	1
41	17856-G1						WIRE (A2)	1
42	17618-G1						CLAMP, NYLON (BLACK)	5
43	17858-G1						WIRE (S2)	1
44	14610-G1						WIRE (BL+)	1
45	23645-G1						WIRE	1
46	17421-G1						IGNITION SWITCH KIT (INCLUDES ITEMS 47 - 49)	1
47	17137-G1						FACE NUT	1
48	17063-G1						IGNITION KEY	1
49	00568-G6						WASHER, LOCK, EXTERNAL TOOTH, 3/4	1
50								
51	17618-G1						CLAMP, NYLON	2
52	18897-G3						WIRE (A1-4)	1
	**						CURRENT INDICATOR	NA
	**						BATTERY TESTER (DISCHARGE MACHINE)	NA
	**						HYDROMETER	NA
	**						OHM METER (MULTI-METER)	NA
							** SEE APPENDIX FOR SERVICE ACCESSORIES AND SPECIAL TOOLS	

39 INCLUDES ITEMS 40 - 45
46 INCLUDES ITEMS 47 - 49

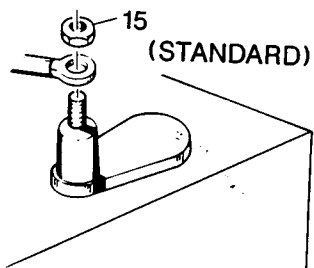
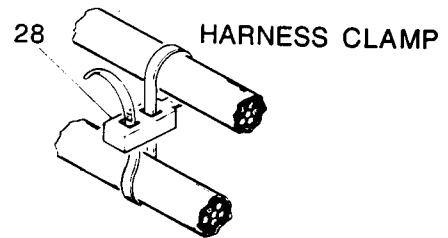
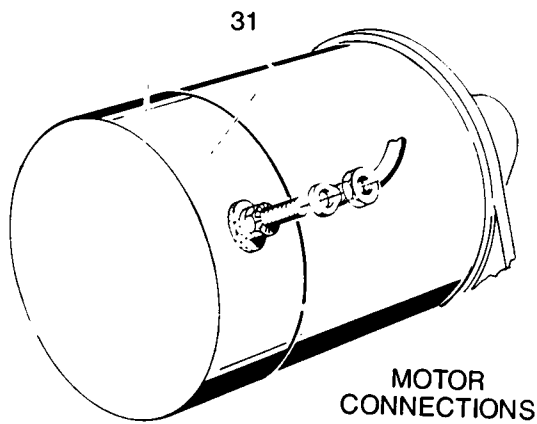
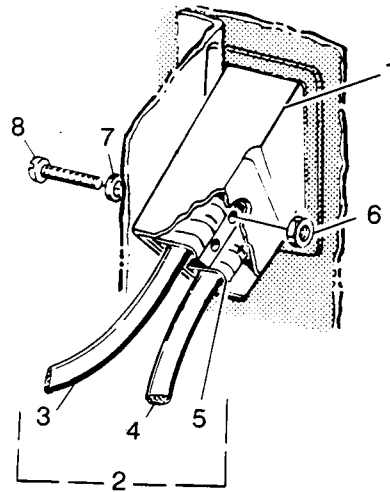


NOTE: THIS IS NOT A COMPLETE WIRING DIAGRAM.
USE FOR WIRE PART NUMBER IDENTIFICATION ONLY.
SEE F-N-R SWITCH AND SPEED CONTROL SECTIONS
FOR ADDITIONAL WIRES.

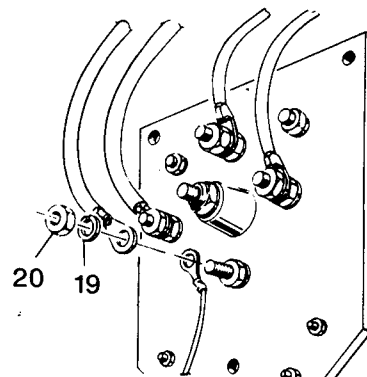
SOLID STATE



CHARGER RECEPTACLE



FORWARD-NEUTRAL-REVERSE SWITCH CONNECTIONS



POWER WIRING

ELECTRIC POWERED VEHICLE

SOLID STATE

THE USE OF NON U.L. PARTS WILL VOID ANY U.L. LISTING.

When ordering parts, please specify the model and serial number of the product.

* Indicates a component that is not available as an individual part.

3 WHEEL	4 WHEEL
----------------	----------------

ITEM	PART NO.	1	2	3	4	5	DESCRIPTION	QTY	
								3 WHEEL	4 WHEEL
1	18724-G1						HOLDER, CHARGER RECEPTACLE	1	1
2	18784-G1						WIRING HARNESS CHARGER CONNECTOR (INCLUDES ITEMS 3 - 5) ...	1	1
3	14852-G1						WIRE (CR-)	1	1
4	14852-G2						WIRE (CL+)	1	1
5	18782-G1						CONNECTOR	1	1
6	14390-G9						NUT, LOCK, #6 - 32	2	2
7	00559-G3						WASHER, #6	2	2
8	00645-G2						SCREW, #6 - 32 X 1 1/4 LG.	2	2
9									
10	23968-G1						WIRE (RED)	1	1
11	11885-G4						WIRE	1	1
12	23540-G1						WIRE	1	1
13	11893-G1						WIRE	2	2
14	11894-G1						WIRE	1	1
15	00702-G2						NUT, 5/16 - 18	12	12
16									
17									
18									
19	00565-G8						WASHER, LOCK, 5/16	4	4
20	00702-G2						NUT, 5/16 - 18	4	4
21									
22	15736-G1						BATTERY HOLD DOWN	2	2
23	15734-G2						J BOLT	2	2
24	00559-G8						WASHER, 5/16	2	2
25	00565-G8						WASHER, LOCK, 5/16	2	2
26	00702-G2						NUT, 5/16 - 18	2	2
27									
28	23544-G1						CLAMP, NYLON, DOUBLE	4	4
29									
30	00567-G8						WASHER, LOCK, EXTERNAL TOOTH, 5/16	2	2
31	00532-G3						NUT, 5/16 - 18	4	4
32									
33	22344-G1						WIRING HARNESS, CHARGER CONNECTOR (XI-300/500 VEHICLES ONLY) (INCLUDES ITEMS 34 - 38)	1	1
34	22349-G1						WIRE (CR-)	1	1

POWER WIRING

ELECTRIC POWERED VEHICLE

SOLID STATE

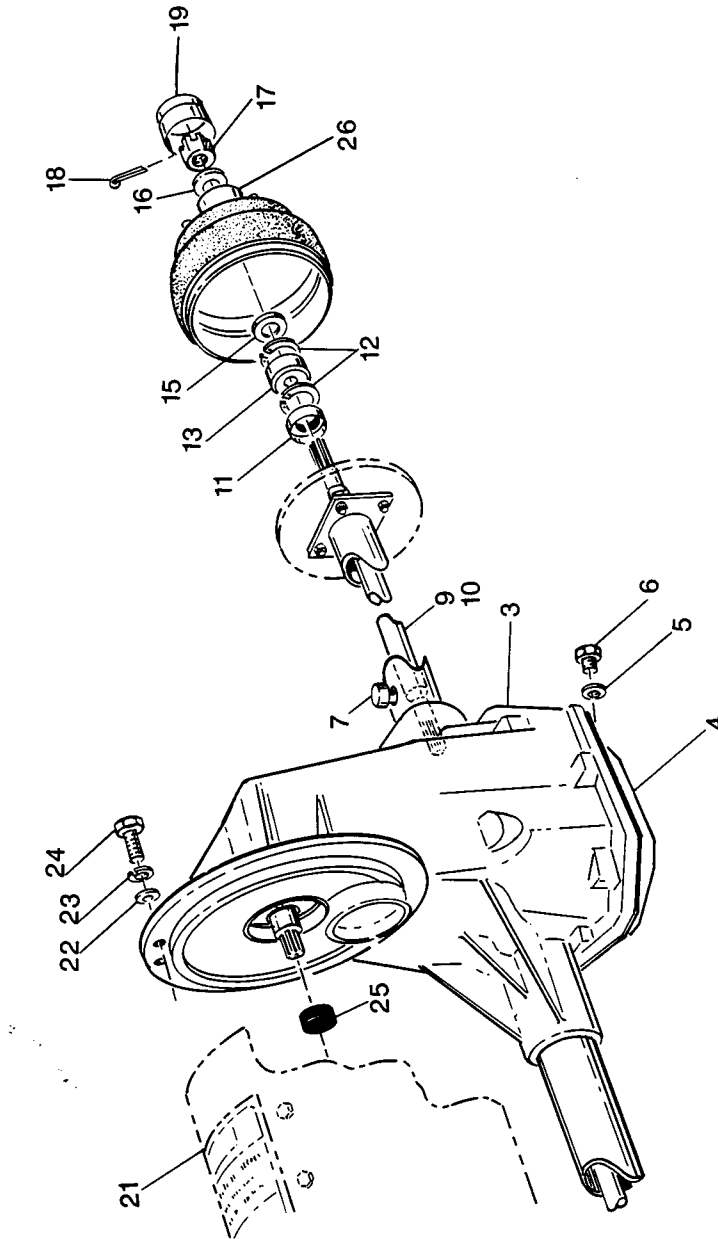
THE USE OF NON U.L. PARTS WILL VOID ANY U.L. LISTING.

When ordering parts, please specify the model and serial number of the product.

*** Indicates a component that is not available as an individual part.**

3 WHEEL	4 WHEEL
--------------------	--------------------

ITEM	PART NO.	1	2	3	4	5	DESCRIPTION	QTY	
								3 WHEEL	4 WHEEL
35	22349-G2						WIRE (CR+)	1	1
36	18782-G1						CONNECTOR	1	1
37	22351-G1						LOOM, FLEX	1	1
38	16172-G1						CLAMP, NYLON	2	2
39	25772-G01						WIRING HARNESS, DIRECTION SELECTOR (INCLUDES ITEMS 40 - 45) .	1	1
40	25559-G04						WIRE (SI)	1	1
41	25559-G02						WIRE (A2)	1	1
42	17618-G1						CLAMP, NYLON (BLACK)	5	5
43	25559-G03						WIRE (S2)	1	1
44									
45	25559-G01						WIRE (A1)	1	1
46	17421-G1						IGNITION SWITCH KIT (INCLUDES ITEMS 47 - 49)	1	1
47	17137-G1						FACE NUT	1	1
48	17063-G1						IGNITION KEY	1	1
49	00568-G6						WASHER, LOCK, EXTERNAL TOOTH, 3/4	1	1
50									
51	17618-G1						CLAMP, NYLON	2	2
	**						CURRENT INDICATOR	NA	NA
	**						BATTERY TESTER (DISCHARGE MACHINE)	NA	NA
	**						HYDROMETER	NA	NA
	**						OHM METER (MULTI-METER)	NA	NA
							** SEE APPENDIX FOR SERVICE ACCESSORIES AND SPECIAL TOOLS		



REAR AXLE

ELECTRIC POWERED VEHICLE

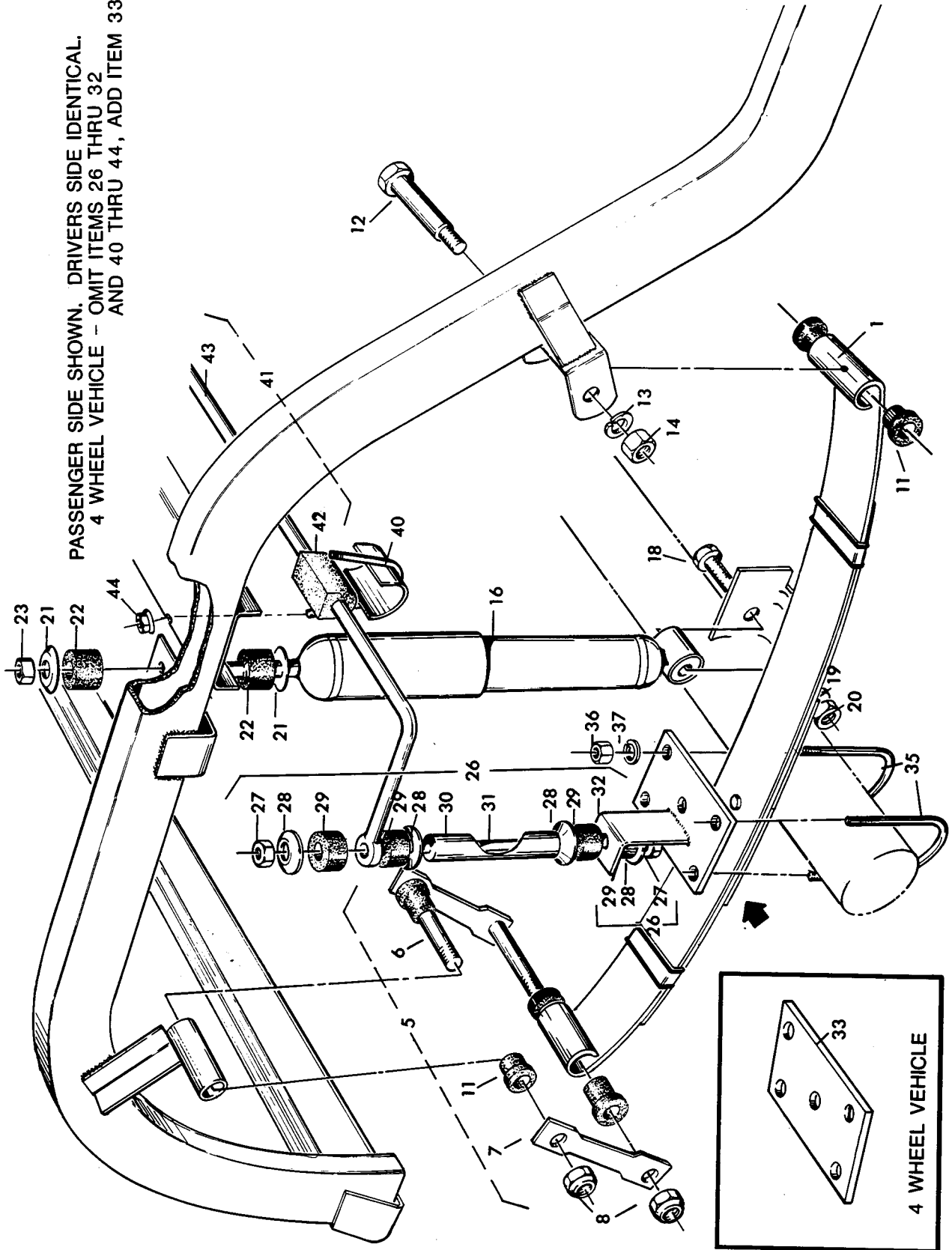
THE USE OF NON U.L. PARTS WILL VOID ANY U.L. LISTING.

When ordering parts, please specify the model and serial number of the product.

* Indicates a component that is not available as an individual part.

ITEM	PART NO.	1	2	3	4	5	DESCRIPTION	QTY	
								3 WHEEL	4 WHEEL
1	XXXX-XX						WHEEL BRAKE SET (SEE SECTION U FOR PART NUMBER AND QUANTITY)	1	1
2									
3	25283-G1						REAR AXLE ASSEMBLY (INCLUDES ITEMS 4 - 13)	1	1
4	25228-G1						COVER	1	1
5	25227-G1						WASHER	1	1
6	25226-G1						PLUG, FILL / CHECK	1	1
7	25229-G1						VENT, VALVE	1	1
8									
9	20377-G4						SHAFT, AXLE, PASSENGER'S SIDE	1	1
10	20377-G3						SHAFT, AXLE, DRIVER'S SIDE	1	1
11	15114-G1						SEAL, AXLE	2	2
12	15113-G1						RING, RETAINING	4	4
13	15112-G1						BALL, BEARING, AXLE	2	2
14									
15	15485-G1						WASHER, 20 MM	2	2
16	15487-G1						WASHER, BRAKE DRUM, 5/8	2	2
17	15483-G1						NUT, SLOTTED, 5/8 - 18	2	2
18	10387-G1						PIN, COTTER, 1/8 X 1 1/2 LG.	2	2
19	12091-G1						CAP, SPINDLE	2	2
20									
21	XXXX-XX						MOTOR (SEE SECTION L FOR PART NUMBER AND QUANTITY)	1	1
22	00559-G7						WASHER, 1/4	3	3
23	00565-G7						WASHER, LOCK, 1.4	3	3
24	00797-G2						SCREW, 1/4 - 20 X 1 1/4 LG.	3	3
25	24261-G1						BUMPER, SPLINE	1	1
26	24939-G1						ADAPTOR, SPINDLE CAP	2	2

PASSENGER SIDE SHOWN. DRIVERS SIDE IDENTICAL.
4 WHEEL VEHICLE - OMIT ITEMS 26 THRU 32
AND 40 THRU 44, ADD ITEM 33.



REAR SUSPENSION COMPONENTS

ELECTRIC POWERED VEHICLE

THE USE OF NON U.L. PARTS WILL VOID ANY U.L. LISTING.

When ordering parts, please specify the model and serial number of the product.

* Indicates a component that is not available as an individual part.

ITEM	PART NO.	1	2	3	4	5	DESCRIPTION	QTY	
								3 WHEEL	4 WHEEL
1	20398-G1						LEAF SPRING	2	2
2	11645-G2						LEAF SPRING, HEAVY DUTY	2	2
3									
4									
5	19675-G1						SPRING SHACKLE (INCLUDES ITEMS 6 - 8)	2	2
6	*						STUD PLATE, SHACKLE	2	2
7	*						PLATE, SHACKLE	2	2
8	19676-G1						NUT, LOCK, 3/8 - 24	4	4
9									
10									
11	20098-G1						BUSHING, RUBBER	12	12
12	15727-G1						BOLT, SHOULDER, 3/8 - 16	2	2
13	00566-G1						WASHER, LOCK, 3/8	2	2
14	00532-G5						NUT, 3/8 - 16	2	2
15									
16	20278-G1						SHOCK ABSORBER	2	2
17	20279-G1						SHOCK ABSORBER, HEAVY DUTY	2	2
18	00428-G4						SCREW, 3/8 - 16 X 2 1/2 LG.	2	2
19	00560-G1						WASHER, 3/8	2	2
20	00550-G5						NUT, LOCK, 3/8 - 16	2	2
21	10435-G1						WASHER, SHOCK ABSORBER	4	4
22	10194-G1						BUSHING, SHOCK ABSORBER	4	4
23	00532-G6						NUT, 3/8 - 24	2	2
24									
25									
26	14770-G1						STABILIZER BAR SPRING BRACKET ASSEMBLY (INCLUDES ITEMS 27-32)	2	X
27	00532-G5						NUT, 3/8 - 16	4	X
28	10435-G1						WASHER, SHOCK ABSORBER	4	X
29	10194-G1						BUSHING, SHOCK ABSORBER	4	X
30	10840-G3						SPACER	1	X
31	10579-G6						ROD, THREADED	1	X
32	17141-G1						BRACKET, SPRING RETAINER	1	X
33	17034-G1						PLATE, SPRING RETAINER	X	2
34									

REAR SUSPENSION COMPONENTS

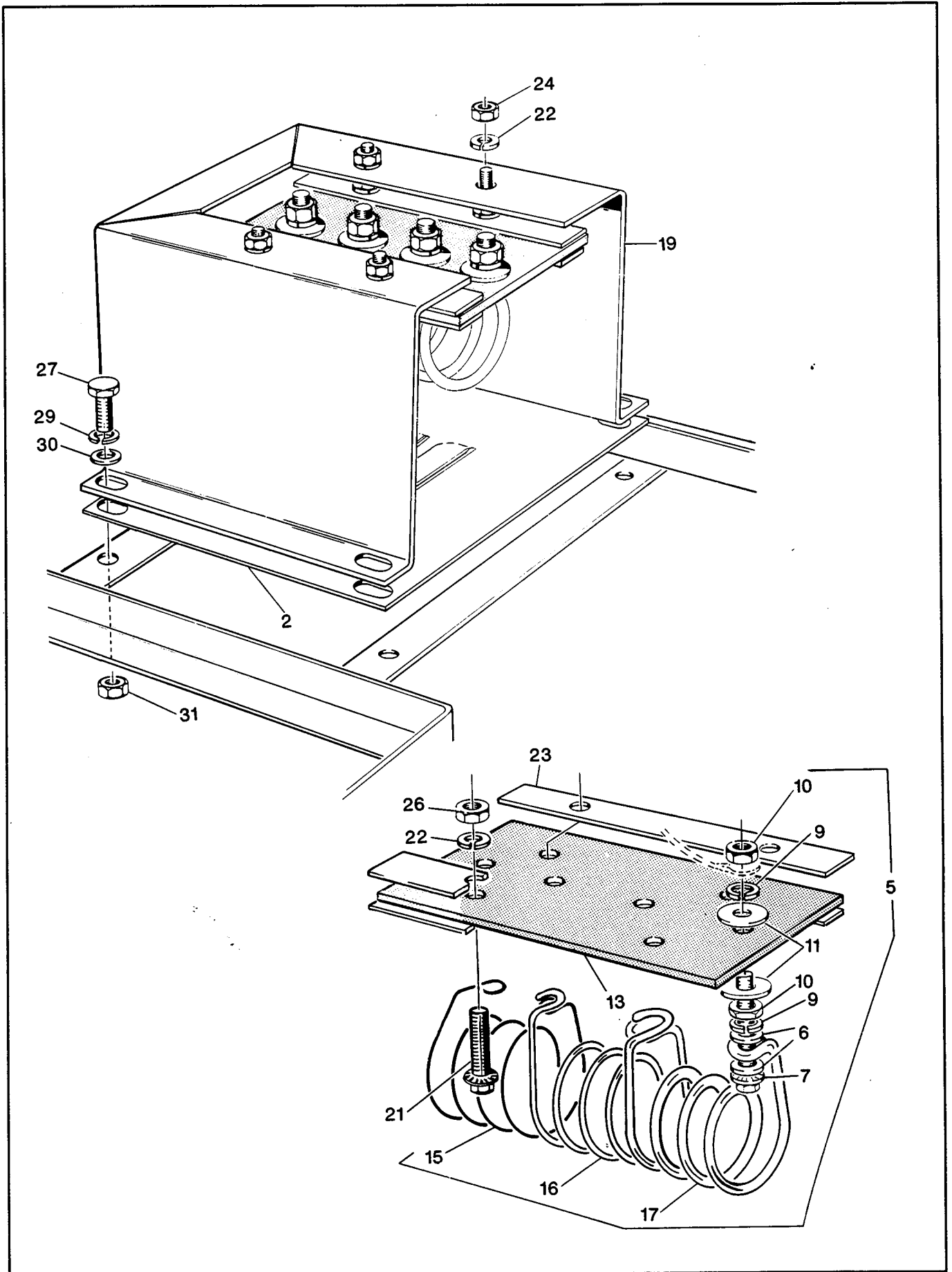
ELECTRIC POWERED VEHICLE

THE USE OF NON U.L. PARTS WILL VOID ANY U.L. LISTING.

When ordering parts, please specify the model and serial number of the product.

* Indicates a component that is not available as an individual part.

ITEM	PART NO.	1	2	3	4	5	DESCRIPTION	3 WHEEL	4 WHEEL
								QTY	QTY
35	12058-G2						"U" BOLT, AXLE	4	4
36	00532-G5						NUT, 3/8 - 16	8	8
37	00566-G1						WASHER, LOCK, 3/8	8	8
38									
39									
40	11640-G1						BRACKET, STABILIZER BAR	2	X
41	17284-G1						STABILIZER BAR ASSEMBLY (INCLUDES ITEMS 42 - 43)	1	X
42	11155-G1						BUSHING, STABILIZER	2	X
43	*						BAR, STABILIZER	1	X
44	11027-G4						NUT, LOCK, 5/16 - 24	4	X



RESISTOR COIL AND HOUSING ASSEMBLY

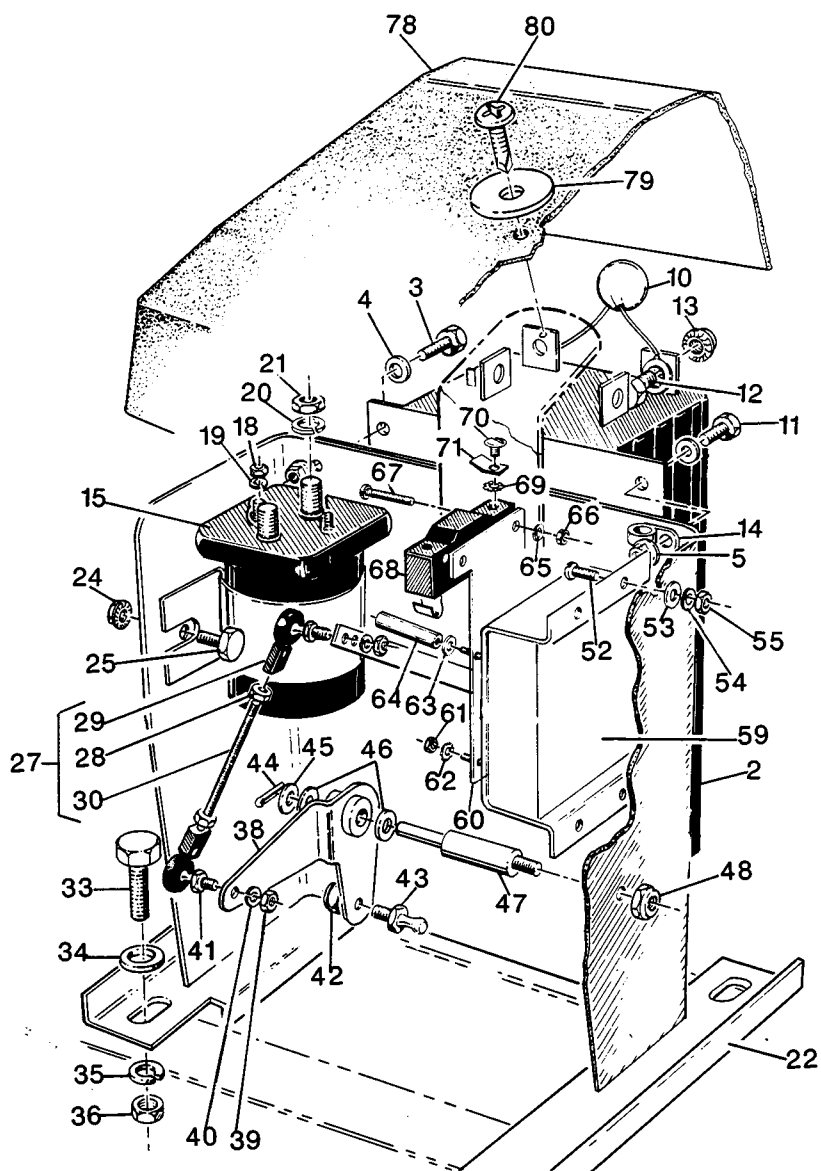
ELECTRIC POWERED TRUCK

THE USE OF NON U.L. PARTS WILL VOID ANY U.L. LISTING.

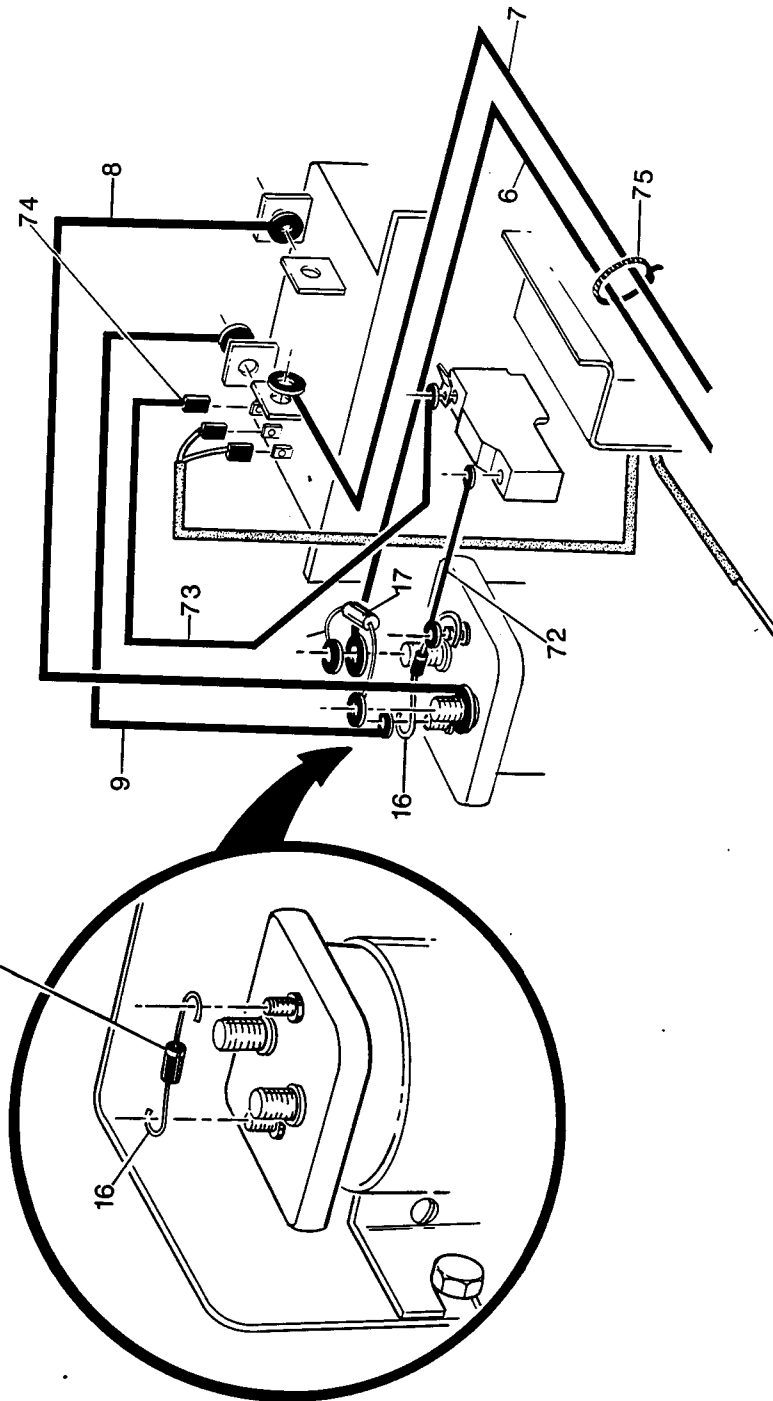
When ordering parts, please specify the model and serial number of the product.

* Indicates a component that is not available as an individual part.

ITEM	PART NO.	1	2	3	4	5	DESCRIPTION	3 WHEEL	4 WHEEL
								QTY	QTY
1	23319-G1						RESISTOR COIL ASSEMBLY (INCLUDES ITEMS 2 - 17)	1	1
2	25174-G1						PANEL, RESISTOR	1	1
3									
4	24904-G1						RESISTOR COIL ASSEMBLY (INCLUDES ITEMS 5 - 26)	1	1
5	24903-G1						RESISTOR BOARD ASSEMBLY (INCLUDES ITEMS 6 - 17)	1	1
6	00660-G8						WASHER, FLAT, STAINLESS STEEL, 5/16	8	8
7	00685-G9						SCREW, 5/16 - 18 X 2 LG.	4	4
8									
9	00664-G8						WASHER, LOCK, STAINLESS STEEL, 5/16	8	8
10	51401-G1						NUT, HEX, 5/16 - 18	4	4
11	00907-G3						WASHER, FLAT	8	8
12									
13	18811-G1						BOARD, RESISTOR	1	1
14									
15	23293-G1						COIL, RESISTOR, LIGHT	1	1
16	23294-G1						COIL, RESISTOR MEDIUM	1	1
17	23295-G1						COIL, RESISTOR, HEAVY	1	1
18									
19	18814-G1						SHIELD, RESISTOR	1	1
20									
21	00661-G8						SCREW, 1/4 - 20 X 1 LG.	4	4
22	00664-G7						WASHER, LOCK, STAINLESS STEEL, 1/4	8	8
23	22951-G1						SUPPORT, STRIP	4	4
24	00883-G1						NUT, 1/4 - 20	4	4
25									
26	00544-G1						NUT, 1/4 - 20	4	4
27	00661-G8						SCREW, 1/4 - 20 X 1 LG.	4	4
28									
29	00565-G7						WASHER, LOCK	4	4
30	00559-G7						WASHER, 1/4	8	8
31	00883-G1						NUT, CPCT	4	4



SILVER LINE ON DIODE MUST BE ORIENTED AS SHOWN



SOLID STATE CONTROL MODULE

ELECTRIC POWERED VEHICLE

THE USE OF NON U.L. PARTS WILL VOID ANY U.L. LISTING.

When ordering parts, please specify the model and serial number of the product.

* Indicates a component that is not available as an individual part.

ITEM	PART NO.	1	2	3	4	5	DESCRIPTION	QTY	
								3 WHEEL	4 WHEEL
1	*						ELECTRONIC SPEED CONTROL ASSEMBLY (INCLUDES ITEMS 2 - 65)	1	1
2	20972-G1						CONTROL BOX, LDI	1	1
3	00414-G5						SCREW, 1/4 - 20 X 5/8 LG.	3	3
4	00561-G7						WASHER, 1/4	4	4
5	11027-G2						NUT, LOCK 1/4 - 20	4	4
6	23793-G3						WIRE, (SOL - BL+)	1	1
7	23793-G4						WIRE, (M - C)	1	1
8	23793-G1						WIRE, (SOL - B+)	1	1
9	24021-G1						WIRE, (BLACK)	1	1
10	25949-G01						VARISTOR, MOV	1	1
11	00414-G6						SCREW, 1/4-20 X3/4 LG.	1	1
12	00270-G5						SCREW, 5/16 - 18 X 5/8 LG.	4	4
13	11027-G1						NUT, LOCK 5/16 - 18	4	4
14	11845-G5						CLIP, CABLE	1	1
15	20468-G1						SOLENOID	1	1
16	30353-G1						DIODE	1	1
17	21764-G1						RESISTOR	1	1
18	00526-G4						NUT	2	2
19	00565-G5						WASHER, LOCK #10	2	2
20	00565-G8						WASHER, LOCK 5/16	2	2
21	00544-G4						NUT, JAM 5/16 - 24	2	2
22	23603-G1						BRACKET, MOUNTING	1	1
23									
24	11027-G2						NUT, LOCK 1/4 - 20	2	2
25	00414-G4						SCREW, 1/4 - 20 X 1/2 LG.	2	2
26									
27	22587-G5						ROD, ADJUSTABLE ASSEMBLY (INCLUDES ITEM 28-30)	1	1
28	00526-G4						NUT, #10 - 32	2	2
29	24465-G1						SOCKET	2	2
30	23722-G1						ROD, CONTROL	1	1
31									
32									
33	00661-G8						SCREW, STAINLESS STEEL 1/4 - 20 X 1 LG.	4	4
34	00559-G7						WASHER, 1/4	4	4

SOLID STATE CONTROL MODULE

ELECTRIC POWERED VEHICLE

THE USE OF NON U.L. PARTS WILL VOID ANY U.L. LISTING.

When ordering parts, please specify the model and serial number of the product.

* Indicates a component that is not available as an individual part.

3 WHEEL	4 WHEEL
---------	---------

ITEM	PART NO.	1	2	3	4	5	DESCRIPTION	QTY	
								3 WHEEL	4 WHEEL
35	00565-G7						WASHER, LOCK, 1/4	4	4
36	00532-G1						NUT, 1/4 - 20	4	4
37									
38	25331-G1						PIVOT ARM	1	1
39	00526-G4						NUT, #10 - 32	2	2
40	00565-G5						WASHER, LOCK #10	2	2
41	24479-G1						BALL, BALL JOINT	2	2
42	11098-G9						NUT, LOCK 5/16 - 24	1	1
43	15944-G3						BALL, BALL JOINT, 5/16	1	1
44	10387-G3						PIN, COTTER	1	1
45	00559-G8						WASHER, 5/16	1	1
46	24621-G1						WASHER, NYLON	2	2
47	25328-G1						ROD, PIVOT	1	1
48	14390-G1						NUT, 3/8 - 24	2	2
49									
50									
51									
52	00150-G4						SCREW,	3	3
53	00559-G8						WASHER, FLAT	3	3
54	00565-G5						WASHER, LOCK #10	3	3
55	00526-G3						NUT, #10 - 24	3	3
56									
57									
58									
59	25399-G1						POTENTIOMETER	1	1
60									
61	00525-G1						NUT, #8 - 32	1	1
62	00567-G4						WASHER, LOCK, EXTERNAL TOOTH #8	1	1
63	00559-G4						WASHER, #8	6	6
64	00955-G1						STAND OFF	1	1
65	00565-G3						WASHER, LOCK #6	2	2
66	00525-G5						NUT, #6 - 32	2	2
67	00138-G8						SCREW, #6 - 32 X 1 LG.	2	2
68	10606-G5						MICRO SWITCH	1	1

SOLID STATE CONTROL MODULE

ELECTRIC POWERED VEHICLE

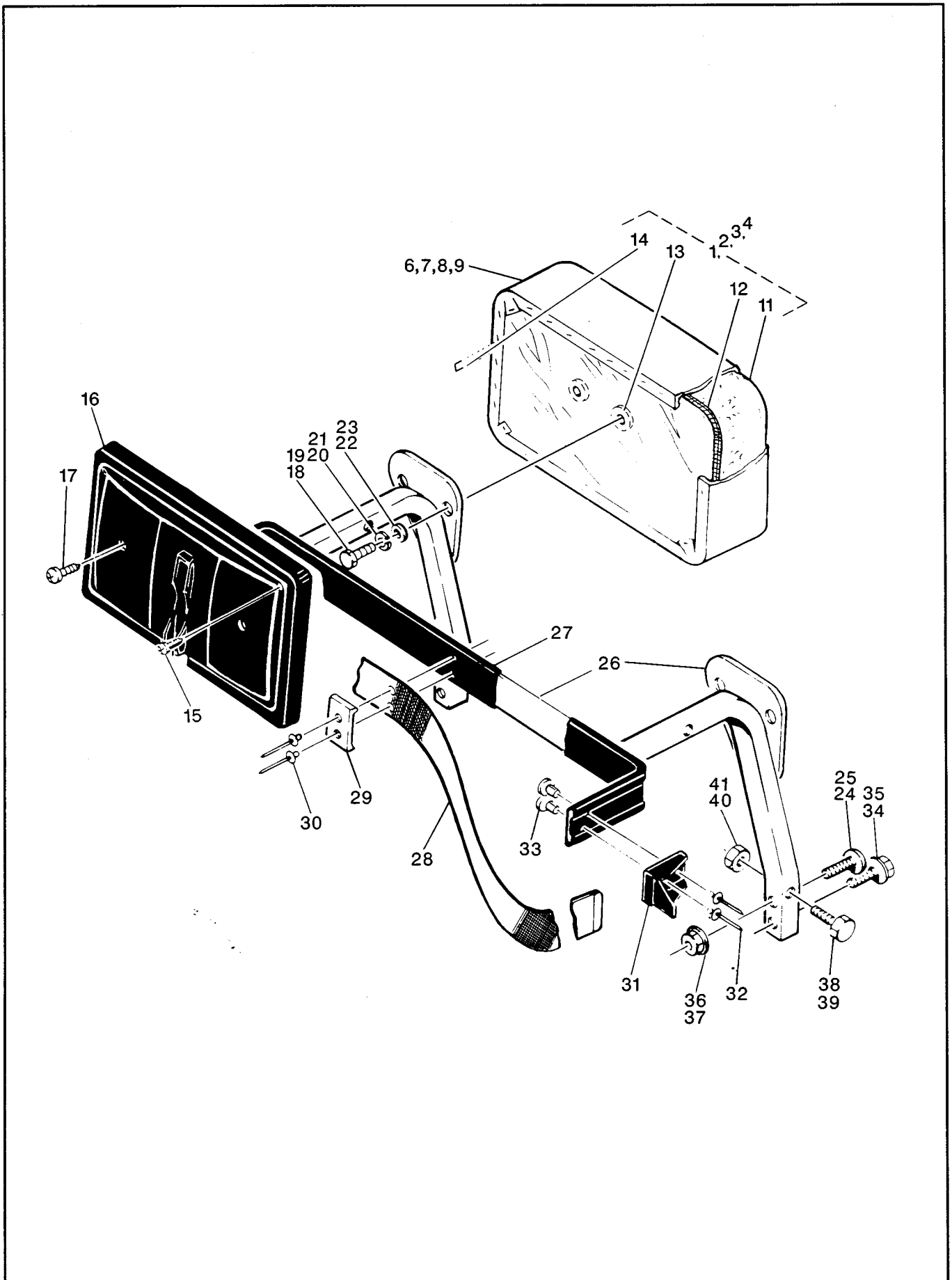
THE USE OF NON U.L. PARTS WILL VOID ANY U.L. LISTING.

When ordering parts, please specify the model and serial number of the product.

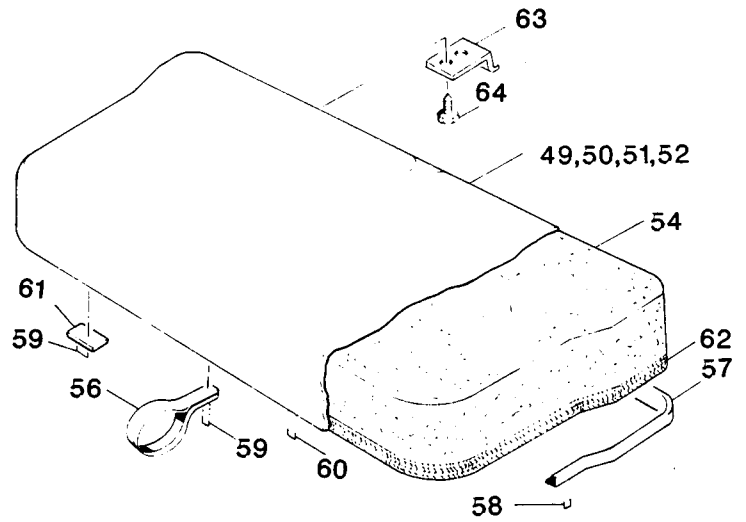
* Indicates a component that is not available as an individual part.

		3 WHEEL	4 WHEEL
ITEM	PART NO.	1 2 3 4 5	
DESCRIPTION		QTY	

69	00567-G3	WASHER, LOCK, EXTERNAL TOOTH #6					2	2
70	13514-G1	SCREW, BRASS #6 - 32 X 7/32 LG.					2	2
71	14628-G1	FASTON-TAB					1	1
72	23975-G1	WIRE, (ORANGE)					1	1
73	24019-G2	WIRE, (BLUE)					1	1
74	17064-G1	TERMINAL, PUSH ON					3	3
75	17618-G1	CLAMP, NYLON					1	1
76								
77								
78	23723-G2	COVER, SPEED CONTROL					1	1
79	16469-G1	WASHER, FENDER					1	1
80	00106-G6	SCREW, #12-24X3/4					1	1



- 44 INCLUDES ITEMS 49,54-61
- 45 INCLUDES ITEMS 50,54-61
- 46 INCLUDES ITEMS 51,54-61
- 47 INCLUDES ITEMS 52-61



SEATS AND BAG HOLDER

ELECTRIC POWERED VEHICLE

THE USE OF NON U.L. PARTS WILL VOID ANY U.L. LISTING.

When ordering parts, please specify the model and serial number of the product.

* Indicates a component that is not available as an individual part.

ITEM	PART NO.	1	2	3	4	5	DESCRIPTION	QTY	
								3 WHEEL	4 WHEEL
1	24115-G2						BACK REST ASSEMBLY, WHITE (INCLUDES ITEMS 6, 11 - 14)	2	2
2	24115-G6						BACK REST ASSEMBLY, OYSTER (INCLUDES ITEMS 7, 11 - 14)	2	2
3	24115-G7						BACK REST ASSEMBLY, TAN (INCLUDES ITEMS 8, 11 - 14)	2	2
4	24115-G8						BACK REST ASSEMBLY, GRAY (INCLUDES ITEMS 9, 11 - 14)	2	2
5									
6	14371-G1						COVER, BACK REST CUSHION, WHITE	1	1
7	14371-G4						COVER, BACK REST CUSHION, OYSTER	1	1
8	14371-G5						COVER, BACK REST CUSHION, TAN	1	1
9	14371-G6						COVER, BACK REST CUSHION, GRAY	1	1
10									
11	25433-G1						CUSHION FOAM, BACK REST	1	1
12	19226-G1						PLYWOOD SEAT BACK	1	1
13	*						NUT, TEE	2	2
14	*						STAPLE, FLAT	60	60
15	00924-G6						SCREW, SELF-TAPPING, STAINLESS STEEL, #8 - 15 X 3/4 LG.	4	4
16	19056-G3						COVER, BACK REST, BLACK	2	2
17	00666-G6						SCREW, SELF-TAPPING, STAINLESS STEEL, #10 - 16 X 3/4 LG.	4	4
18	00414-G8						SCREW, 1/4 - 20 X 1 LG.	4	4
19	00661-G8						SCREW, STAINLESS STEEL, 1/4 - 20 X 1 LG., FREEDOM ONLY	4	4
20	00565-G7						WASHER, LOCK, 1/4	4	4
21	00664-G7						WASHER, LOCK, STAINLESS STEEL, 1/4, FREEDOM ONLY	4	4
22	00559-G7						WASHER, LOCK, 1/4	4	4
23	00660-G7						WASHER, STAINLESS STEEL, 1/4, FREEDOM ONLY	4	4
24	00763-G4						SCREW, TRUSS, 5/16 - 18 X 1 1/2 LG.	2	2
25	00762-G4						SCREW, TRUSS, STAINLESS STEEL, 5/16 - 18 X 1 1/2 LG., FREEDOM ONLY	2	2
26	16924-G2						SEAT BACK BRACKET AND BAG HOLDER	1	1
27	14643-G2						EXTRUSION, VINYL	1	1
28	15902-G1						STRAP, RETAINER	1	1
29	16610-G1						ANCHOR, PLATE	1	1
30	17226-G1						RIVET	2	2
31	16920-G1						RETAINER, STRAP	2	2
32	15058-G1						RIVET, ALUMINUM BLACK	4	4
33	16935-G1						NUT, TEE	4	4
34	00439-G6						SCREW, LOCK, 5/16 - 18 X 1 3/4 LG.	4	4

SEATS AND BAG HOLDER

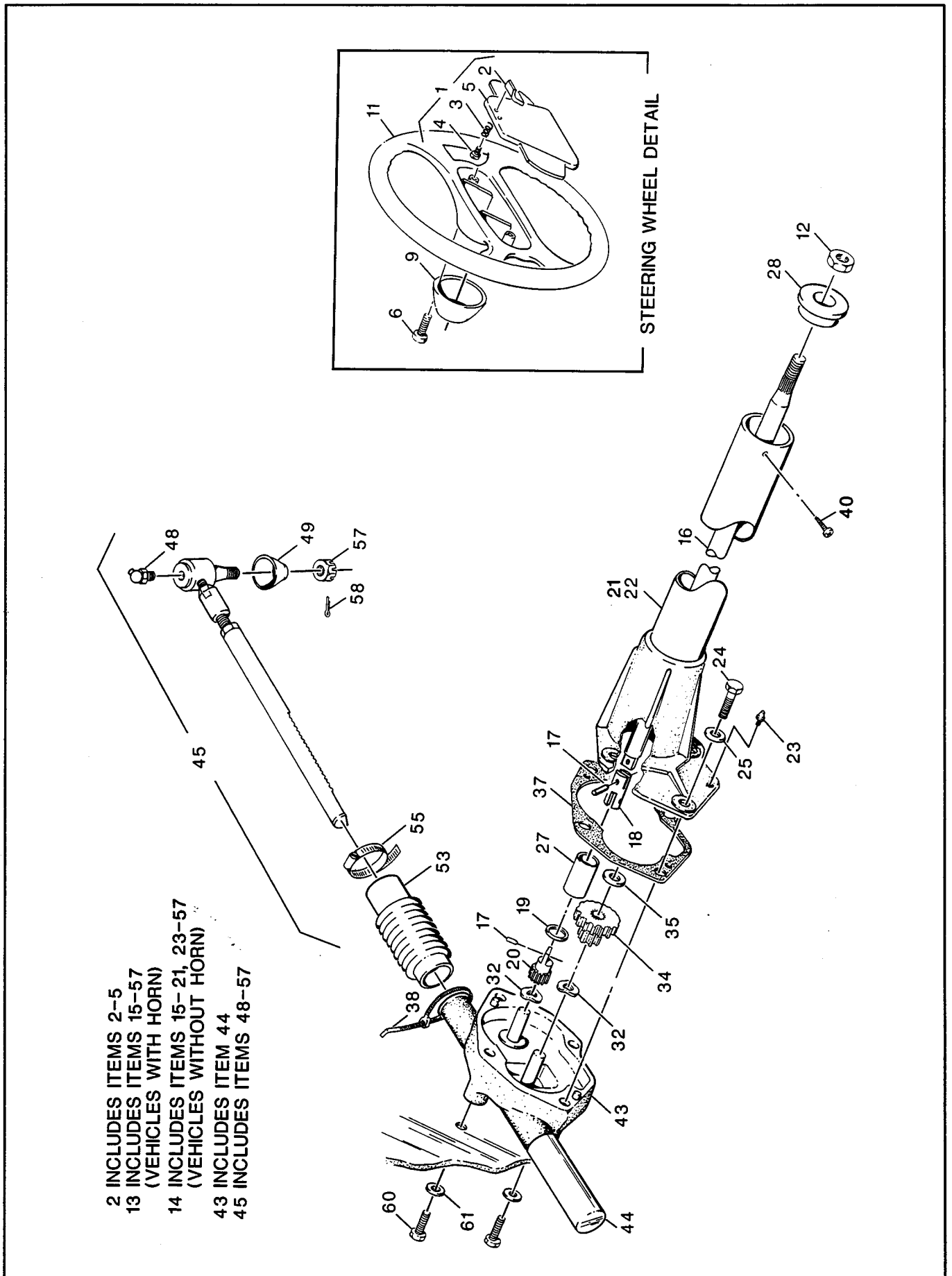
ELECTRIC POWERED VEHICLE

THE USE OF NON U.L. PARTS WILL VOID ANY U.L. LISTING.

When ordering parts, please specify the model and serial number of the product.

* Indicates a component that is not available as an individual part.

ITEM	PART NO.	1	2	3	4	5	DESCRIPTION	3 WHEEL	4 WHEEL
								QTY	QTY
35	00685-G7						SCREW, LOCK, STAINLESS STEEL, 5/16 - 18 X 1 3/4 LG., FREEDOM ONLY	2	2
36	11027-G1						NUT, LOCK, 5/16 - 18	4	4
37	00891-G3						NUT, LOCK, 5/16 - 18, FREEDOM ONLY	4	4
38	00427-G4						SCREW, 3/8 - 16 X 1 1/2 LG.	2	2
39	00665-G4						SCREW, STAINLESS STEEL, 3/8 - 16 X 1 1/2 LG., FREEDOM ONLY ..	2	2
40	11027-G5						NUT, LOCK, 3/8 - 16	2	2
41	00891-G5						NUT, LOCK, 3/8 - 16, FREEDOM ONLY	2	2
42									
43									
44	24077-G2						SEAT BOTTOM ASSEMBLY, WHITE, (INCLUDES ITEMS 49, 54 - 61) ...	1	1
45	24077-G6						SEAT BOTTOM ASSEMBLY, OYSTER, (INCLUDES ITEMS 50, 54- 61) ..	1	1
46	24077-G7						SEAT BOTTOM ASSEMBLY, TAN, (INCLUDES ITEMS 51, 54 - 61)	1	1
47	24077-G8						SEAT BOTTOM ASSEMBLY, GRAY, (INCLUDES ITEMS 52 - 61)	1	1
48									
49	15146-G1						COVER, SEAT BOTTOM CUSHION, WHITE	1	1
50	15146-G2						COVER, SEAT BOTTOM CUSHION, OYSTER	1	1
51	15146-G3						COVER, SEAT BOTTOM CUSHION, TAN	1	1
52	15146-G4						COVER, SEAT BOTTOM CUSHION, GRAY	1	1
53									
54	25432-G1						CUSHION FOAM	1	1
55									
56	11394-G1						WEBBING	1	1
57	17113-G1						TRIM, VINYL	1	1
58	*						STAPLE	24	24
59	*						STAPLE	4	4
60	*						STAPLE, FLAT	110	110
61	17074-G1						SOILING SLAB	2	2
62	12441-G2						PLYWOOD, SEAT BOTTOM	1	1
63	18250-G1						BRACKET, SEAT HINGE	2	2
64	00114-G6						SCREW, SELF-TAPPING, 1/4 - 10 X 3/4 LG.,	4	4



STEERING

ELECTRIC POWERED VEHICLE

THE USE OF NON U.L. PARTS WILL VOID ANY U.L. LISTING.

When ordering parts, please specify the model and serial number of the product.

* Indicates a component that is not available as an individual part.

3 WHEEL	4 WHEEL
---------	---------

ITEM	PART NO.	1	2	3	4	5	DESCRIPTION	QTY	
								3 WHEEL	4 WHEEL
1	27102-G1						PLATE, SCORECARD HOLDER ASSEMBLY (INCLUDES ITEMS 2 - 5) ...	1	1
2	18409-G1						CLIP, SCORECARD	1	1
3	18410-G1						SPRING, STAINLESS STEEL	2	2
4	18411-G1						PLATE, SCORECARD HOLDER	2	2
5	27101-G1						PLATE, SCORECARD HOLDER	1	1
6	18464-G1						SCREW, SELF-TAPPING, #8 X 7/8 LG.	2	2
7									
8									
9	23225-G1						HUB, COVER EXTENSION	1	1
10									
11	23172-G1						WHEEL, STEERING	1	1
12	14390-G2						NUT, LOCK, 5/8 - 18	1	1
13	19152-G3						STEERING UNIT ASSEMBLY (VEHICLES WITH HORN - INCLUDES ITEMS 15 - 57)	1	1
14	19152-G1						STEERING UNIT ASSEMBLY (VEHICLES WITHOUT HORN - INCLUDES ITEMS 15 - 21, 23 - 57)	1	1
15	17163-G1						STEERING, SHAFT ASSEMBLY (INCLUDES ITEMS 16 - 20)	1	1
16							SHAFT, STEERING	1	1
17							PIN, DOWEL, 1/4	2	2
18							COUPLING	1	1
19							WASHER, THRUST	1	1
20							PINION, STEERING	1	1
21	19153-G1						STEERING COLUMN UNIT	1	1
22	19153-G4						STEERING COLUMN UNIT	1	1
23							FITTING, GREASE	1	1
24	00448-G8						SCREW, 5/16 - 24 X 1 LG.	4	4
25	00565-G8						WASHER, LOCK, 5/16	4	4
26									
27	17140-G1						SLEEVE	1	1
28	17161-G1						BUSHING AND SEAL	1	1
29									
30									
31									
32	51294-G1						WASHER, WAVE TYPE, SPRING	2	2
33									

STEERING

ELECTRIC POWERED VEHICLE

THE USE OF NON U.L. PARTS WILL VOID ANY U.L. LISTING.

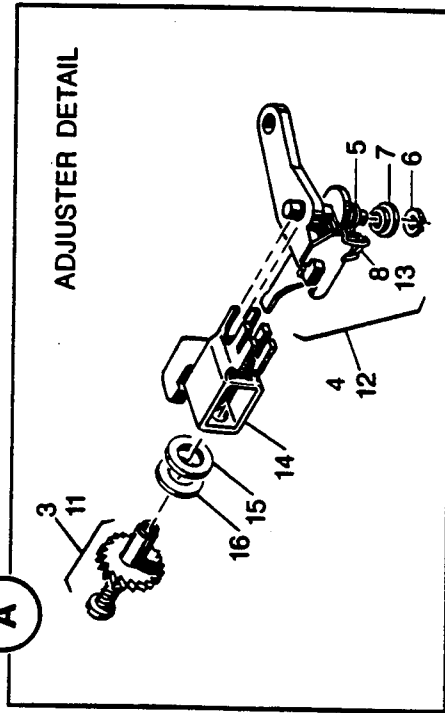
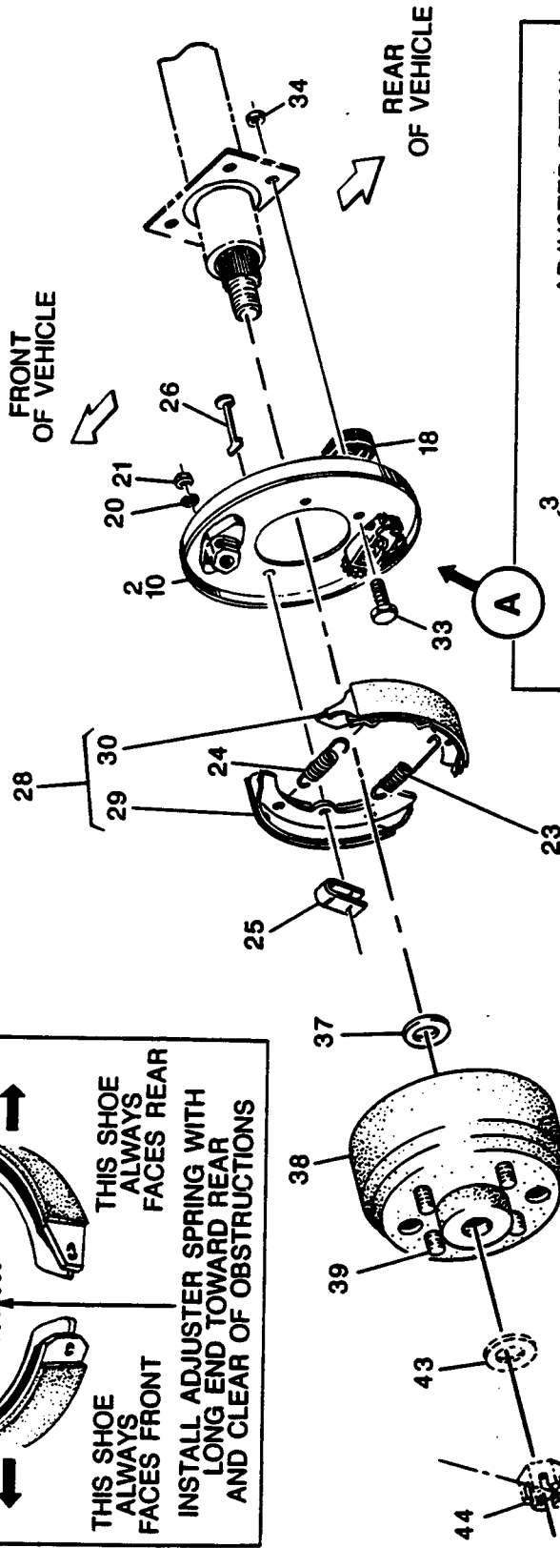
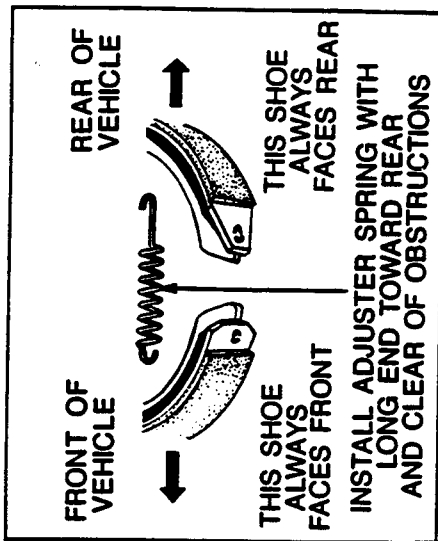
When ordering parts, please specify the model and serial number of the product.

* Indicates a component that is not available as an individual part.

3 WHEEL	4 WHEEL
---------	---------

ITEM	PART NO.						DESCRIPTION	QTY	
		1	2	3	4	5		3 WHEEL	4 WHEEL
34	23279-G1						GEAR REDUCTION	1	1
35	13059-G2						WASHER, THRUST	1	1
36									
37	19154-G1						GASKET, HOUSING	1	1
38	17618-G1						CLAMP, NYLON	1	1
39									
40									
41									
42									
43	13097-G1						HOUSING ASSEMBLY (INCLUDES ITEM 44)	1	1
44	13570-G1						COVER, RACK	1	1
45	15407-G1						RACK AND ROD ASSEMBLY (INCLUDES ITEMS 48 - 57)	1	1
46									
47									
48	18456-G1						FITTING, GREASE	1	1
49	50641-G1						RUBBER BOOT, TIE ROD END	1	1
50									
51									
52									
53	17617-G1						BELLOWS	1	1
54									
55	11391-G1						CLAMP, HOSE	1	1
56									
57	50209-G1						NUT, SLOTTED, 7/16 - 20	1	1
58	10387-G2						PIN, COTTER, 3/16 X 1 LG.	1	1
59									
60	00276-G6						SCREW, 5/16 - 24 X 3/4 LG.	3	3
61	00565-G8						WASHER, LOCK, 5/16	3	3

SELF-ADJUSTING BRAKES
(DRIVER'S SIDE SHOWN)



- 1 - INCLUDES ITEMS 2-8, 14-30
- 9 - INCLUDES ITEMS 10-30

WHEEL BRAKE

ELECTRIC POWERED VEHICLE

THE USE OF NON U.L. PARTS WILL VOID ANY U.L. LISTING.

When ordering parts, please specify the model and serial number of the product.

* Indicates a component that is not available as an individual part.

3 WHEEL	4 WHEEL
---------	---------

ITEM	PART NO.	1	2	3	4	5	DESCRIPTION	QTY	
1	22997-G2						BRAKE ASSEMBLY, PASSENGER SIDE (INCLUDES ITEMS 2 - 8, 14 - 30)		1
2	22518-G1						BACKING PLATE, PASSENGER SIDE		1
3	23360-G1						ADJUSTER, PASSENGER SIDE		1
4	23357-G1						LEVER ASSEMBLY, PASSENGER SIDE (INCLUDES ITEMS 5 - 8)		1
5	*						SPRING		1
6	*						RETAINER		1
7	*						WASHER, SHOULDER		1
8	23536-G1						SPRING, TORSION, PASSENGER SIDE		1
9	22997-G1						BRAKE ASSEMBLY, DRIVER'S SIDE (INCLUDES ITEMS 10 - 30)		1
10	22519-G1						BACKING PLATE, DRIVER'S SIDE		1
11	23361-G1						ADJUSTER, DRIVER'S SIDE		1
12	23358-G1						LEVER ASSEMBLY, DRIVER'S SIDE (INCLUDES ITEMS 5 - 7 AND 13)		1
13	23537-G1						SPRING, TORSION, DRIVER'S SIDE		1
14	23363-G1						ADJUSTER BODY		1
15	23382-G1						WASHER		1
16	23362-G1						WASHER, THRUST		1
17									
18	22519-G1						DUST COVER		1
19	23356-G1						ANCHOR BLOCK		1
20	00565-G1						WASHER, LOCK, 1/4		2
21	13632-G1						NUT, 6 mm		2
22									
23	23359-G1						SPRING, BRAKE, ADJUSTER		1
24	17290-G1						SPRING, BRAKE, ANCHOR		1
25	17291-G1						SPRING, SHOE, CLAMP		2
26	17292-G1						PIN, TENSION		2
27									
28	23364-G1						BRAKE SHOE SET (INCLUDES ITEMS 29 AND 30)		1
29	*						BRAKE SHOE, LEADING		1
30	*						BRAKE SHOE, TRAILING		1
31									
32									
33	17083-G1						BOLT, 5/16 - 24 X 3/4 LG.		8

WHEEL BRAKE

ELECTRIC POWERED VEHICLE

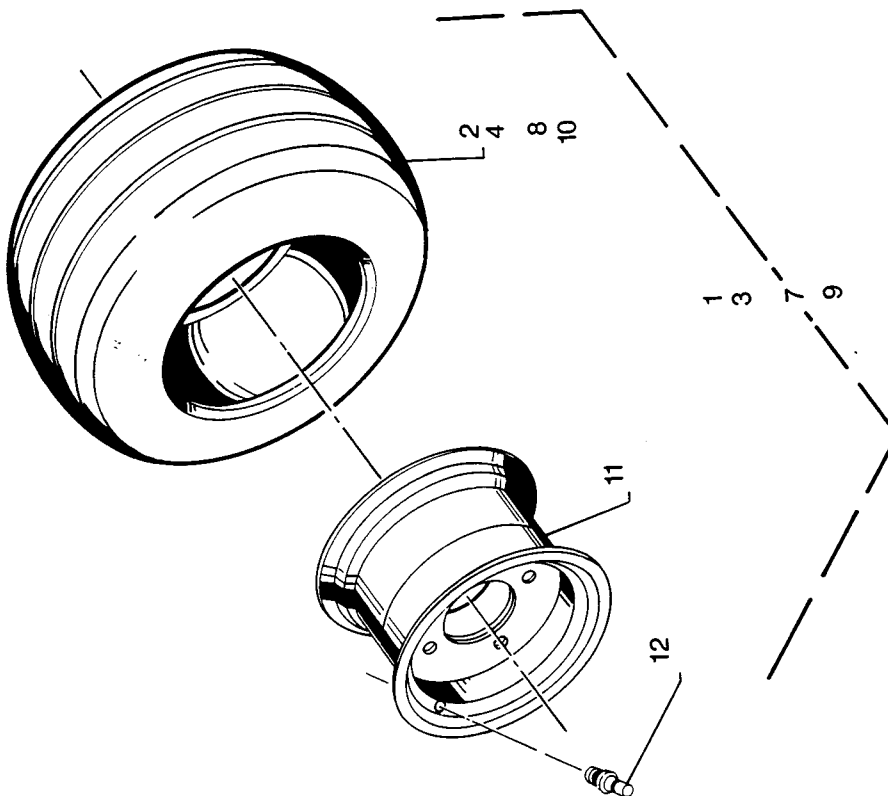
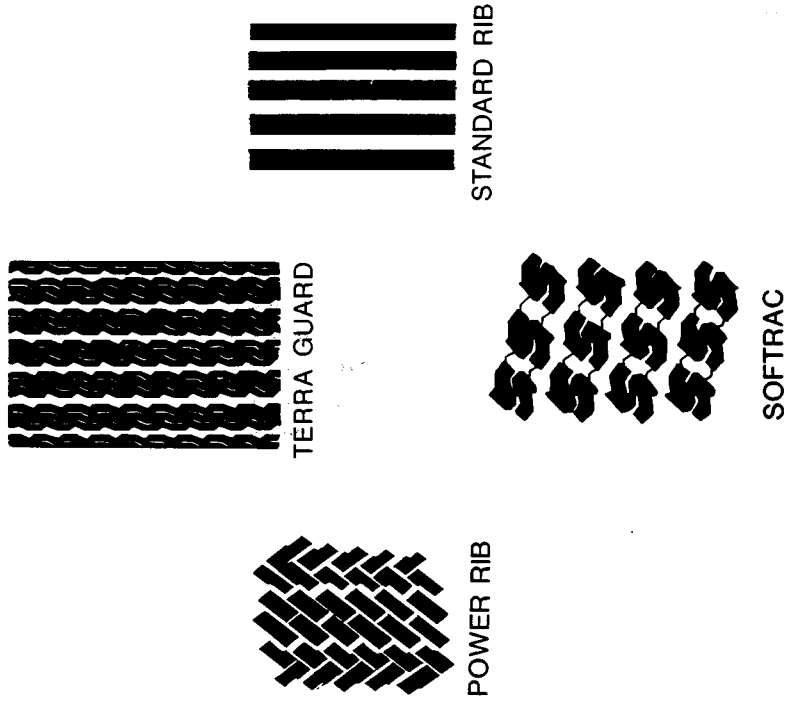
THE USE OF NON U.L. PARTS WILL VOID ANY U.L. LISTING.

When ordering parts, please specify the model and serial number of the product.

* Indicates a component that is not available as an individual part.

3 WHEEL	4 WHEEL
---------	---------

ITEM	PART NO.	1	2	3	4	5	DESCRIPTION	QTY	
								3 WHEEL	4 WHEEL
34	15126-G1						NUT, LOCK, 5/16 - 24		8
35									
36									
37	15485-G1						WASHER, 5/164		2
38	19186-G1						BRAKE DRUM ASSEMBLY (INCLUDES ITEM 39)		2
39	19862-G1						LUG BOLT, 1/2 - 20 X 1 7/32 LG.		4
40									
41									
42									
43	XXXXX-XX						WASHER (SEE SECTION N FOR PART NUMBER AND QUANTITY)		
44	XXXXX-XX						NUT, SLOTTED (SEE SECTION N FOR PART NUMBER AND QUANTITY)		
45	XXXXX-XX						COTTER PIN (SEE SECTION N FOR PART NUMBER AND QUANTITY)		



WHEEL AND TIRES

ELECTRIC POWERED VEHICLE

THE USE OF NON U.L. PARTS WILL VOID ANY U.L. LISTING.

When ordering parts, please specify the model and serial number of the product.

* Indicates a component that is not available as an individual part.

ITEM	PART NO.	1 2 3 4 5	DESCRIPTION	QTY
1	15170-G1		18 X 8.50 X 8 TIRE AND WHEEL RIM ASSEMBLY, STANDARD RIB	AR
2	11594-G1		18 X 8.50 X 8 TIRE, STANDARD RIB	AR
3	14697-G2		18 X 8.50 X 8 TIRE AND WHEEL RIM ASSEMBLY, SOFTRAC	AR
4	14697-G1		18 X 8.50 X 8 TIRE, SOFTRAC	AR
5				
6				
7	14728-G2		18 X 8.50 X 8 TIRE AND WHEEL RIM ASSEMBLY, POWER RIB	AR
8	14728-G1		18 X 8.50 X 8 TIRE, POWER RIB	AR
9	20258-G1		18 X 8.50 X 8 TIRE AND WHEEL RIM ASSEMBLY, TERRA GUARD	AR
10	20259-G1		18 X 8.50 X 8 TIRE, TERRA GUARD	AR
11	15169-G1		WHEEL RIM, 1 PIECE 8.50/9.50 X 8, STANDARD (INCLUDED IN ITEMS 1, 3, 7, AND 9)	AR
12	11657-G1		VALVE STEM (INCLUDED IN ITEMS 1, 3, 7, AND 9)	AR
13	14728-G4		18 X 8.50 X 8 TIRE AND WHEEL RIM ASSEMBLY, POWER RIB WHITE WALL	AR
14	14728-G3		18 X 8.50 X 8 TIRE, POWER RIB ,WHITE WALL	AR

APPENDIX
SERVICE ACCESSORIES AND SPECIAL TOOLS

SPECIAL TOOLS

PART NO.

CURRENT INDICATOR	16489-G2
SEAL INSTALLATION TOOL (REAR AXLE SHAFT SEAL)	18739-G1
SLIDE HAMMER KIT (AXLE PULLER)	18753-G1
VOLT OHM MULTI-METER (VOM)	51020-G2
DIPSTICK, SERVICE	23528-G1

PAINT

CONTACT CUSTOMER REPRESENTATIVE FOR COLOR SPECIFICATIONS AND PART NUMBERS



E-Z-GO Division of Textron Inc.
P.O. BOX 388 Augusta, Georgia 30913-2699
Telephone (404) 798-4311