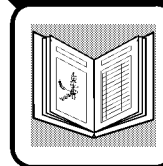


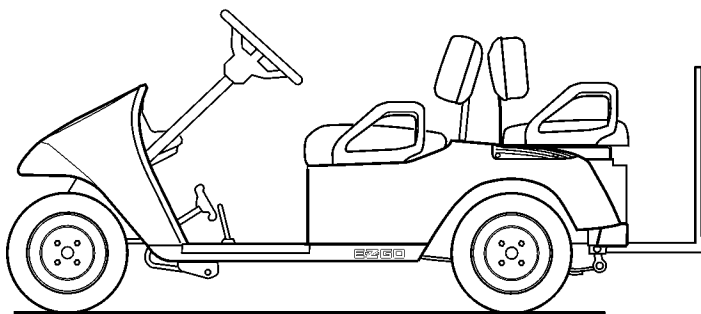
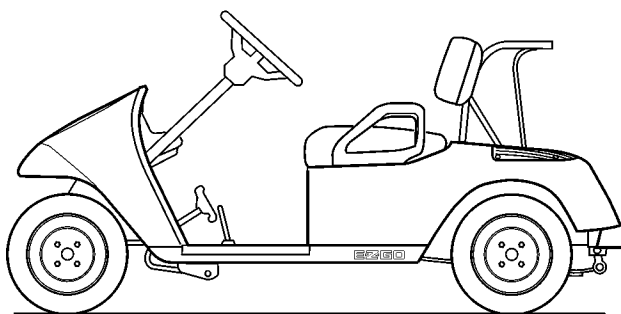
28470-G01



a **TEXTRON** Company



SERVICE PARTS MANUAL



ELECTRIC AND DCS TXT VEHICLES

MODEL YEAR: 1998/99

REVISED: 8/99

SERVICE PARTS MANUAL

TXT ELECTRIC & DCS VEHICLES

MODEL YEAR: 1998

VEHICLES

TXT FLEET

TXT FLEET DCS

TXT FREEDOM

TXT FREEDOM DCS

TXT 4 CADDY

CUSTOMER SERVICE DEPARTMENT PHONE 1-800-227-7029 FAX 1-800-448-8124
E-Z-GO DIVISION OF TEXTRON, INC., P.O.BOX 388, AUGUSTA, GEORGIA 30903-0388, 1-800-241-5855



LIMITED WARRANTY

TO OBTAIN A COPY OF THE LIMITED WARRANTY THAT IS APPLICABLE TO YOUR VEHICLE, CALL OR WRITE YOUR LOCAL DISTRIBUTOR, BRANCH OR E-Z-GO WARRANTY DEPARTMENT.

THE USE OF NON E-Z-GO PARTS MAY VOID YOUR WARRANTY.

OVERFILLING OF BATTERIES MAY VOID YOUR WARRANTY.

GENERAL INDEX

SECTION	Page No.
How to use the E-Z-GO Service Parts Manual.....	vii
ILLUSTRATED PARTS BREAKDOWN:	
ACCELERATOR	
• Accelerator Pedal	A-1
• Pedal Box	A-2
BATTERY CHARGER	
• PowerWise™ Battery Charger, PowerWise™ + Battery Charger	B-1
BODY	
• Front Cowl, Front Shield, Ashtray Kit, Instrument Panel	C-1
• Floorboard, Floormat, Rocker Panel	C-2
• Seat Wrap Support, Battery Tray Rack.....	C-3
• Rear Body, Bumper, Access Lid, Scuff Guards.....	C-4
• Rear Body-4 Caddy/Convertible Carrier, Footrest, Two Bag Attachment.....	C-5
• Sand Bottle and Basket Divot Repair Kit, Side Basket, Center Basket	C-6
• Message Holder, Cooler Jug, Cooler Box, Rake and Holder	C-7
• Four Bag Attachment	C-8
BRAKES	
• Brake Pedal With Lights	D-1
• Brake Pedal Without Lights	D-2
• Equalizer and Brake Cables.....	D-3
• Wheel Brake Assembly	D-4
DIRECTION SELECTOR	
• Direction Selector.....	E-1
DIRECTION SELECTOR (DCS)	
• Direction Selector.....	E-1
ELECTRONIC SPEED CONTROL.....	
• Electronic Speed Controller, Solenoid.....	F-1
ELECTRONIC SPEED CONTROL (DCS).....	
• Electronic Speed Controller, Solenoid.....	F-1
ELECTRONIC SPEED CONTROL (HD)	
• Electronic Speed Controller, Solenoid.....	F-1
ELECTRICAL SYSTEM	
• Charger Receptacle (Non DCS), Wiring.....	G-1
• Charger Receptacle (DCS), Wiring	G-2
• Horn, Fuse Block, Hour Meter.....	G-3
• Turn Signal, Key Switch, State of Charge Meter	G-4
• Brake Pedal & Taillight Connections.....	G-5

GENERAL INDEX

SECTION	Page No.
ELECTRICAL SYSTEM (Continued)	
• Headlight and Connections.....	G-6
• Ignition Key Wiring	G-7
ELECTRIC MOTOR	
• Electric Motor.....	H-1
FRONT SUSPENSION	
• Front Axle, Spindle, Wheel Hub, Shock Absorber, Spring	J-1
REAR AXLE	
• Axle Tube, Axle Shaft, Shifter Cable Bracket	K-1
REAR SUSPENSION	
• U-Bolt, Leaf Spring Set, Shock Absorber	L-1
SEATING AND BAGHOLDER, GOLF CAR	
• Seat Bottom, Seat Back, Hip Restraint.....	M-1
SEATING, 4 CADDY	
• Front Seat Bottom, Front Seat Back, Hip Restraint	M-5
• Rear Seat Bottom, Rear Seat Back, Hip Restraint	M-6
SEATING, 4 CONVERTIBLE CARRIER	
• Front Seat Bottom, Front Seat Back, Hip Restraint	M-9
• Rear Seat Bottom, Rear Seat Back, Hip Restraint	M-10
STEERING	
• Rack and Rod Assembly, Steering Wheel, Tie Rod Assembly	N-1
TOW BAR, PERMANENT	
• Tow Bar, Tow Bar Hitch	P-1
TOW BAR, CASUAL	
• Tow Bar, Tie Rod.....	P-5
WEATHER PROTECTION, GOLF CAR	
• Sun Top Kit.....	Q-1
• Windshield Kit-Split Screen, Windshield Kit-Solid, Rear View Mirror Kit.....	Q-2
• Weather Enclosures, Golf Bag Cover/Rain Curtain	Q-3
WEATHER PROTECTION, 4 CADDY	
• Sun Top Kit.....	Q-7
• Windshield Kit-Split Screen, Windshield Kit-Solid, Rear View Mirror Kit.....	Q-8
WHEELS AND TIRES	
• Tire, Wheel Rim, Valve Stem, Chrome Hubcaps, Spoke Hubcaps	R-1

GENERAL INDEX

SECTION

Page No.

SPECIALTY PRODUCTS:

Special Tools	Appendix - A
Paint	Appendix - A
Performance Products	Appendix - A

ACCESSORIES:

Accessory Listing	Appendix - B
-------------------------	--------------

GENERAL INDEX

HOW TO USE THE E-Z-GO SERVICE PARTS MANUAL

This manual is divided into several sections:

- GENERAL INFORMATION
- ILLUSTRATED PARTS BREAKDOWN FOR TXT ELECTRIC POWERED GOLF CARS
- APPENDIX

The first section, GENERAL INFORMATION, contains the following information:

- WARRANTY INFORMATION
- GENERAL INDEX
- HOW TO USE THE E-Z-GO SERVICE PARTS MANUAL

The second section, ILLUSTRATED PARTS BREAKDOWN (IPB) FOR THE TXT ELECTRIC POWERED GOLF CARS, contains illustrations and parts lists for all systems of your vehicle.

The third section, APPENDIX, contains a listing of Specialty products and accessories.

USE OF THE MANUAL

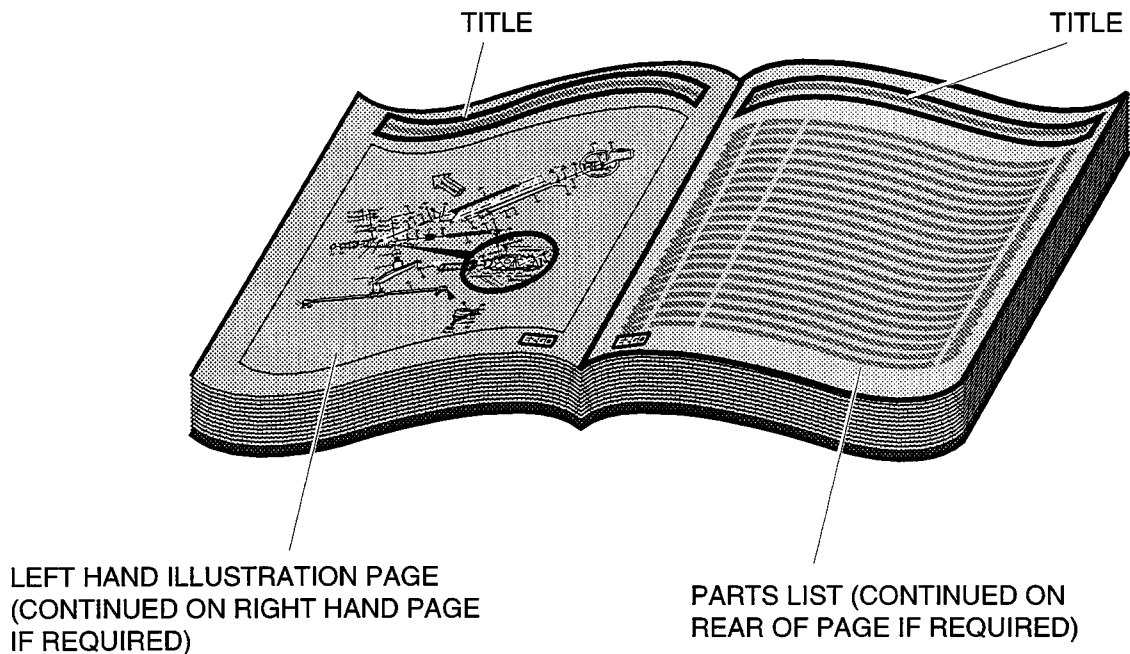
To use this manual, consult the GENERAL INDEX to locate the information or illustration required.

E-Z-GO manuals are revised annually to coincide with the model year change. The manual will cover all models and model years stated on the cover page. Sections that remain unchanged have the last date they were revised in the lower inside margin. New components that are interchangeable with the previous year are automatically revised and the issue date is changed.

Introduction of some revisions varies due to supply of components; therefore, it is possible that various combinations of components may be found that are not directly reflected by each illustration. Consult the illustration that best suits your situation and then contact the Service Parts Department. It is important that the serial number of your vehicle and its model number be supplied to Service Parts when ordering any replacement components.

Locate the serial number plate (see Body and Associated Parts located in the IPB section of this manual for its location) and note the complete number shown on the plate.

HOW TO USE THE E-Z-GO SERVICE PARTS MANUAL



1. WHEN THE PART NUMBER IS NOT KNOWN

- Determine the function and application of the part required. Turn to the General Index and select the most appropriate title.
- Turn to the page number indicated and locate the desired part on the illustration.
- From the illustration, obtain the item number assigned to the desired part. Refer to the accompanying description for specific information regarding the part.

2. IF YOU KNOW THE PART NUMBER

- Locate the part number or description in the appropriate column on the parts list page.

NOTE: It is suggested that you confirm that the part selected is correct by verifying it with the pictorial representation on the illustrated page.

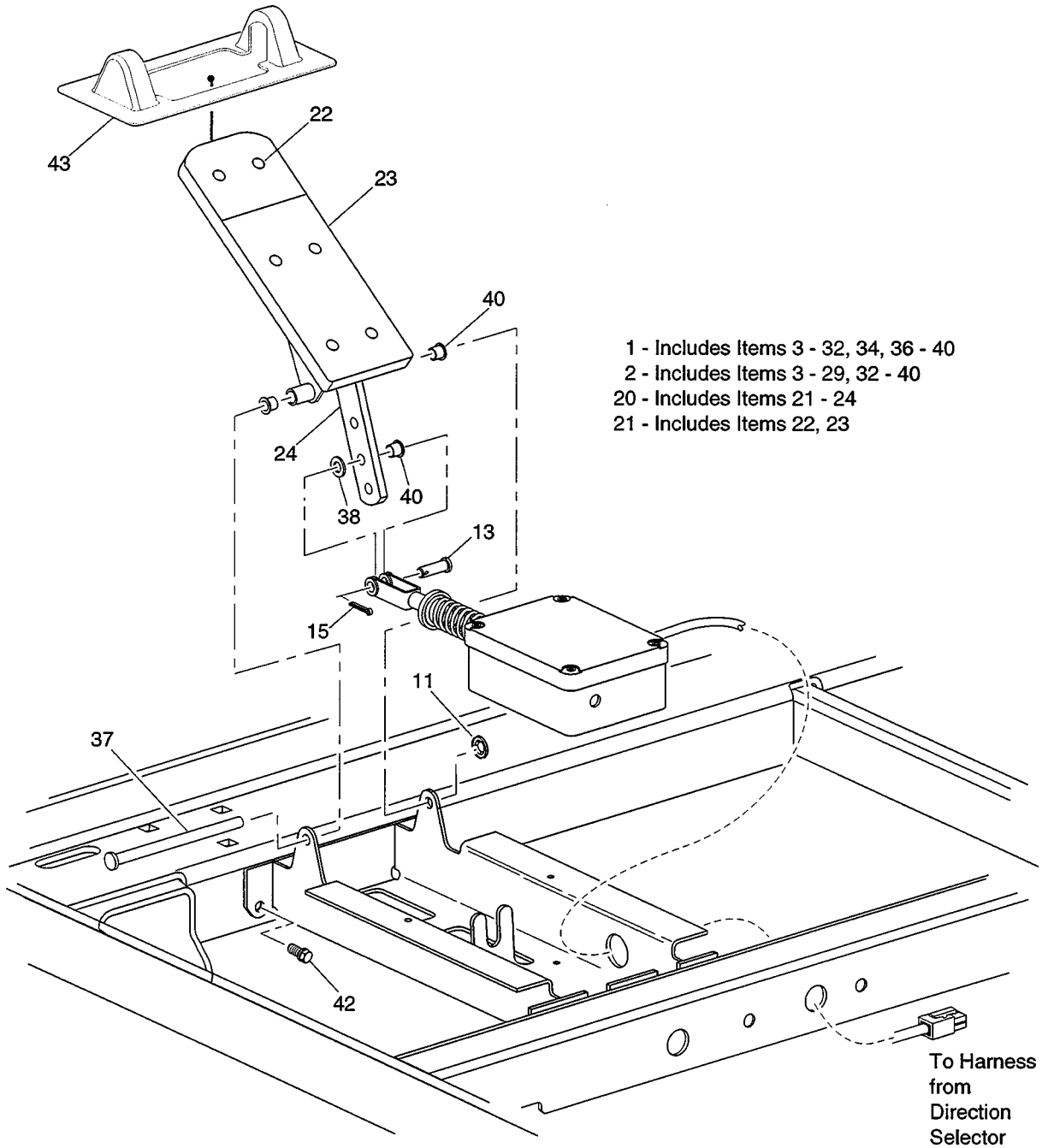
Should an asterisk (*) appear in the part number column on the parts list page, read upwards until a part number is found. The part number is the lowest assembly sold by E-Z-GO and the asterisk (*) indicates that the part depicted is not available for sale by E-Z-GO.

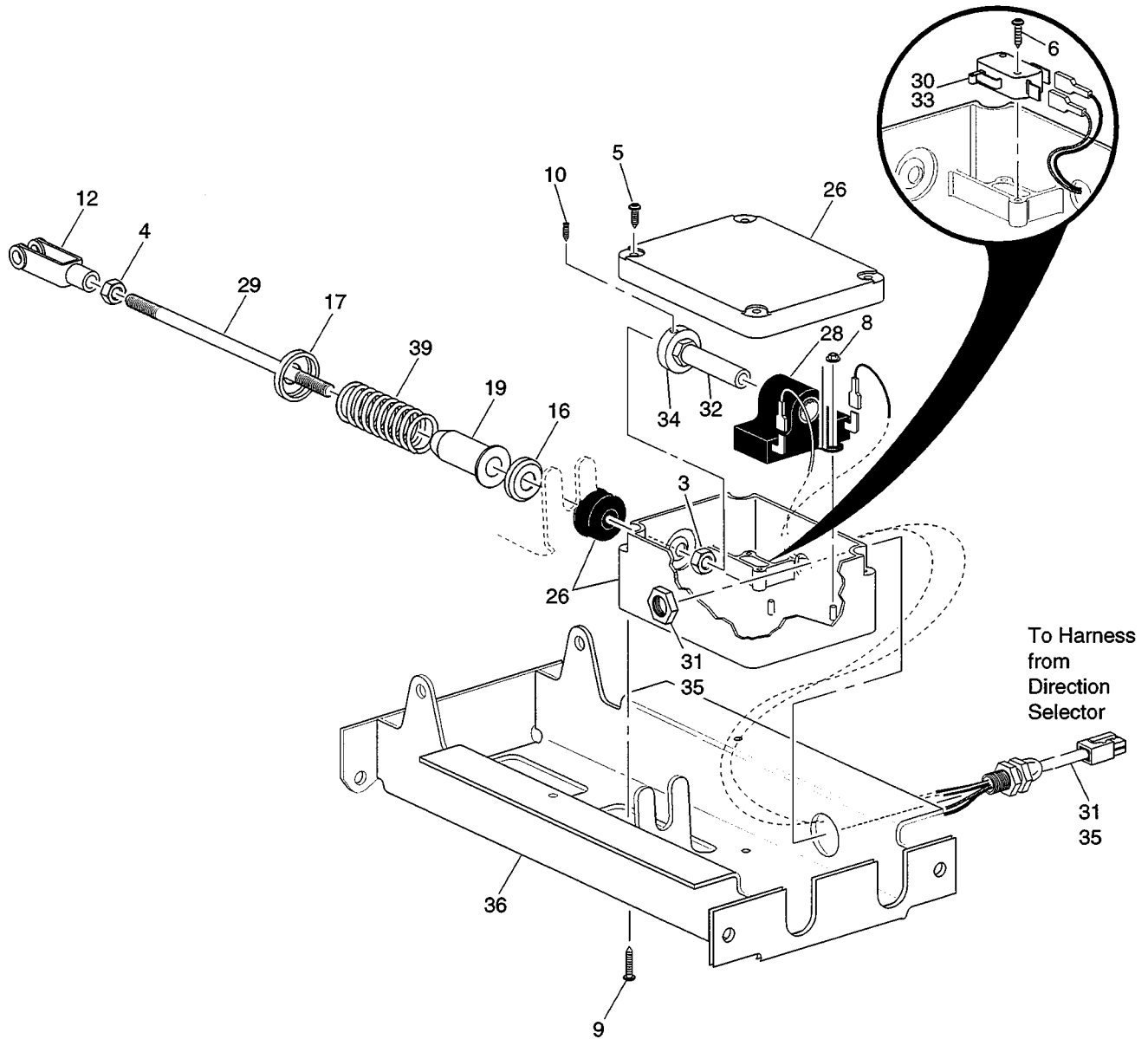
NOTE: Descriptions are indented under the assembly that they are used on. That assembly is, in turn listed under the assembly that it is used on. This process is repeated until the highest final assembly is reached.

To facilitate the maintenance and repair of the vehicle, a Technician's Repair and Service Manual (P/N 28407-G01) is available from the E-Z-GO Service Parts Department.



ILLUSTRATED PARTS BREAKDOWN





THE USE OF NON UL PARTS WILL VOID ANY UL LISTING.

When ordering parts, please specify the model and serial number of the product.

* Indicates a component that is not available as an individual part.

G** Indicates consult Customer Service Department for additional information.

ITEM	PART NO.	1 2 3 4 5	DESCRIPTION	QTY.
1	25870-G03		PEDAL BOX ASSEMBLY (INCLUDES ITEMS 3 - 32, 34, 36 - 40)	1
2	25870-G05		PEDAL BOX ASSEMBLY, DCS MODEL ONLY (INCLUDES ITEMS 3 - 29, 32 - 40)	1
3	00550-G2		LOCK NUT, 1/4 - 28	1
4	00532-G4		LOCK NUT, 5/16 - 24	1
5	00684-G6		SCREW, #8 - 32 X 3/4" LG.	4
6	00982-G01		SCREW, #4 - 14 X 5/8" LG.	2
7				
8	00983-G01		SELF THREADING NUT, 3/16"	2
9	00984-G01		SCREW, #8 - 10 X 1/2" LG.	4
10	00486-G2		SETSCREW, #8 - 32 X 1/8" LG.	1
11	00986-G01		PUSHNUT, 9/32" I.D.	1
12	10385-G4		YOKE (ADJUSTABLE)	1
13	10386-G3		CLEVIS PIN, 5/16" x 1" LG.	1
14				
15	10387-G3		COTTER PIN, 3/32" x 3/4" LG.	1
16	17677-G1		SPRING RETAINER, 1/2"	1
17	17677-G2		SPRING RETAINER, 3/8"	1
18				
19	17979-G1		ACCELERATOR ROD BUSHING	1
20	25799-G01		ACCELERATOR PEDAL ASSEMBLY (INCLUDES ITEMS 21 - 24)	1
21	27844-G01		ACCELERATOR PEDAL PAD KIT (INCLUDES ITEMS 22, 23)	1
22	15766-G1		OVAL RIVET 3/8" X 3/8" LG.	6
23	27512-G01		ACCELERATOR PEDAL PAD	1
24	*		ACCELERATOR PEDAL	1
25				
26	25853-G01		PEDAL BOX AND COVER (SEAL AND BEARING)	1
27				
28	25854-G01		INDUCTIVE THROTTLE SENSOR.....	1
29	25859-G01		ACCELERATOR ROD.....	1

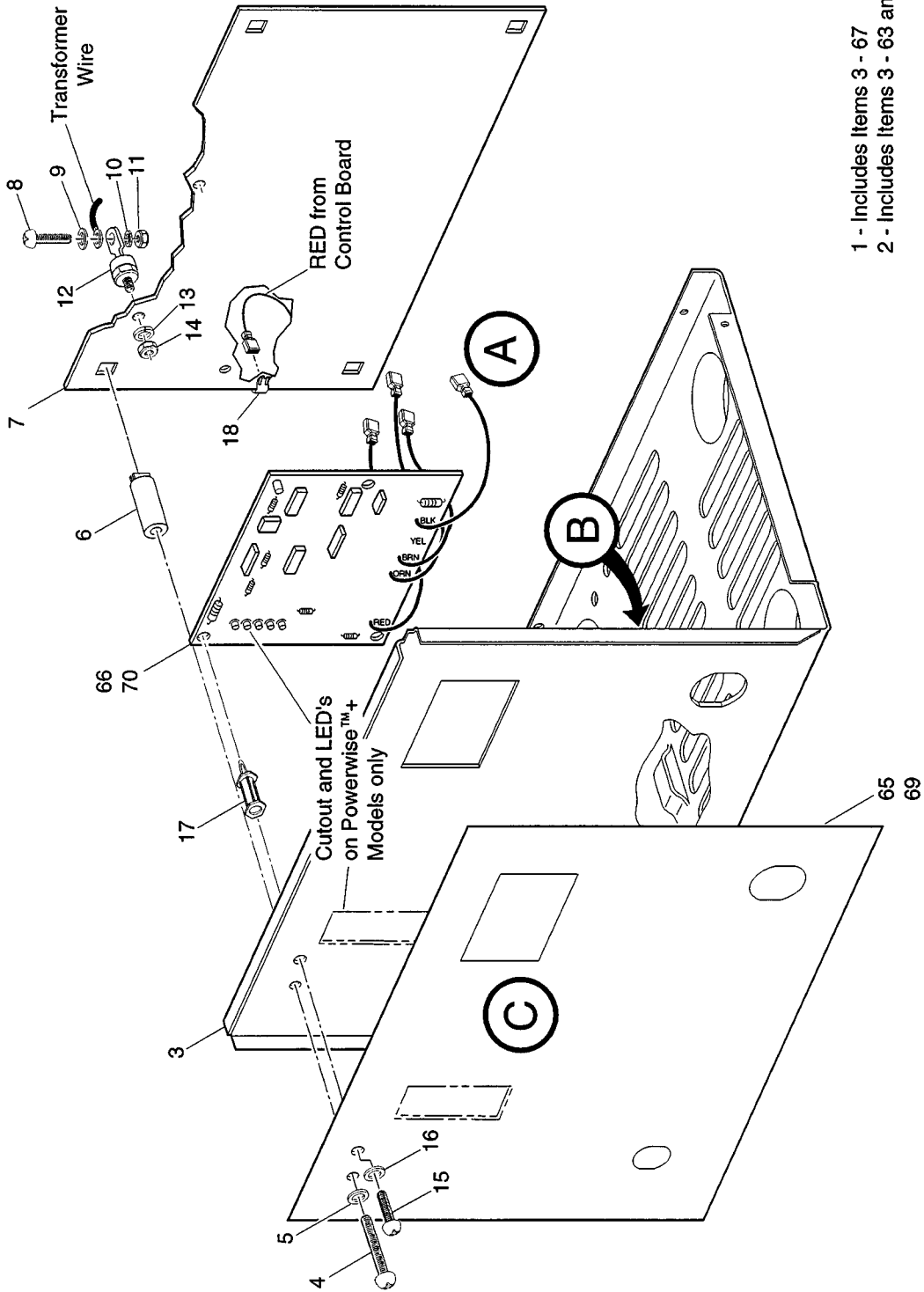
THE USE OF NON UL PARTS WILL VOID ANY UL LISTING.

When ordering parts, please specify the model and serial number of the product.

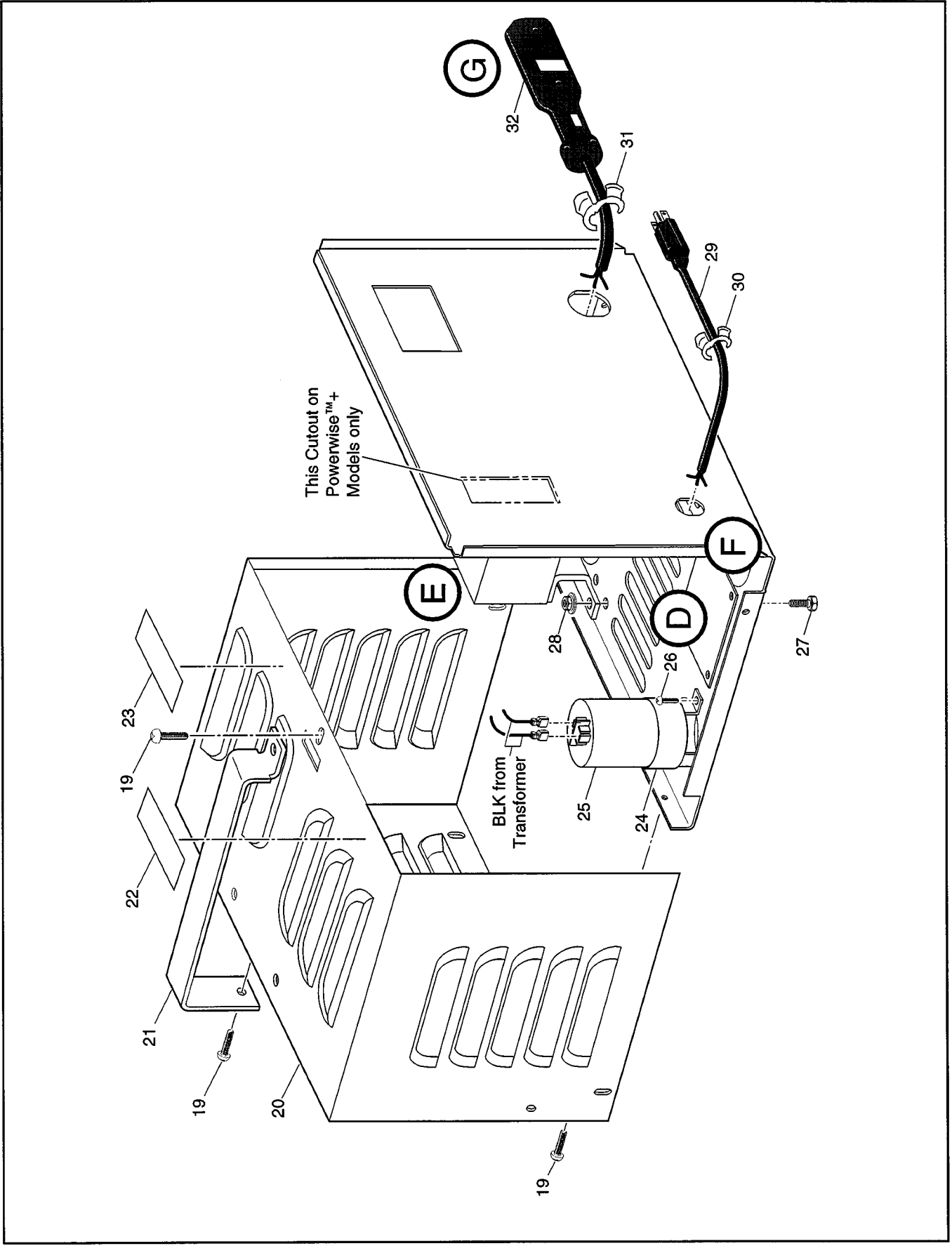
* Indicates a component that is not available as an individual part.

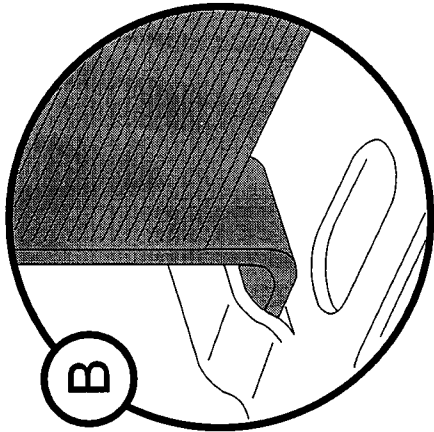
G** Indicates consult Customer Service Department for additional information.

ITEM	PART NO.	1	2	3	4	5	DESCRIPTION	QTY.
30	25861-G01						MICRO SWITCH.....	1
31	25879-G03						WIRING HARNESS (PEDAL BOX ASSEMBLY).....	1
32	26551-G01						PLUNGER	1
33	25861-G02						MICRO SWITCH (DCS MODEL ONLY).....	1
34	26969-G01						PLUNGER CAM	1
35	25879-G04						WIRING HARNESS (PEDAL BOX ASSEMBLY) (DCS MODEL ONLY).....	1
36	70116-G01						ACCELERATOR PEDAL BRACKET	1
37	70134-G01						PEDAL PIVOT PIN.....	1
38	17255-G1						TEFLON WASHER, 5/16"	1
39	73046-G01						COMPRESSION SPRING	1
40	17838-G1						BUSHING	3
41								
42	00715-G2						BOLT, 5/16 - 18 X 13/16" LG.	4
43	70135-G01						PEDAL PIVOT COVER	1

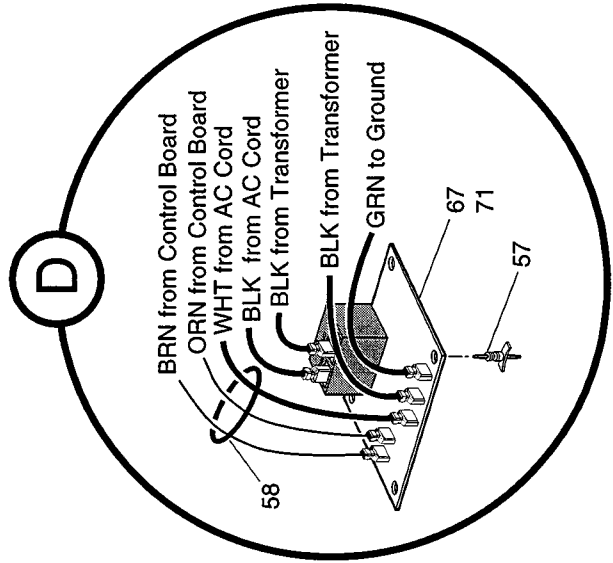


- 1 - Includes Items 3 - 67
- 2 - Includes Items 3 - 63 and 69 - 71

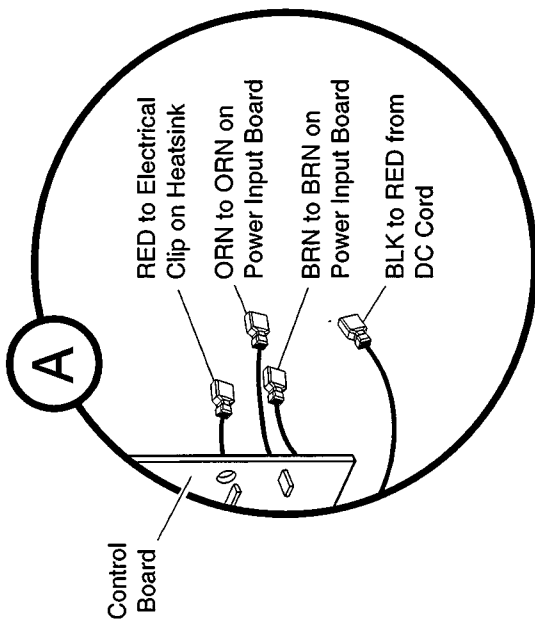




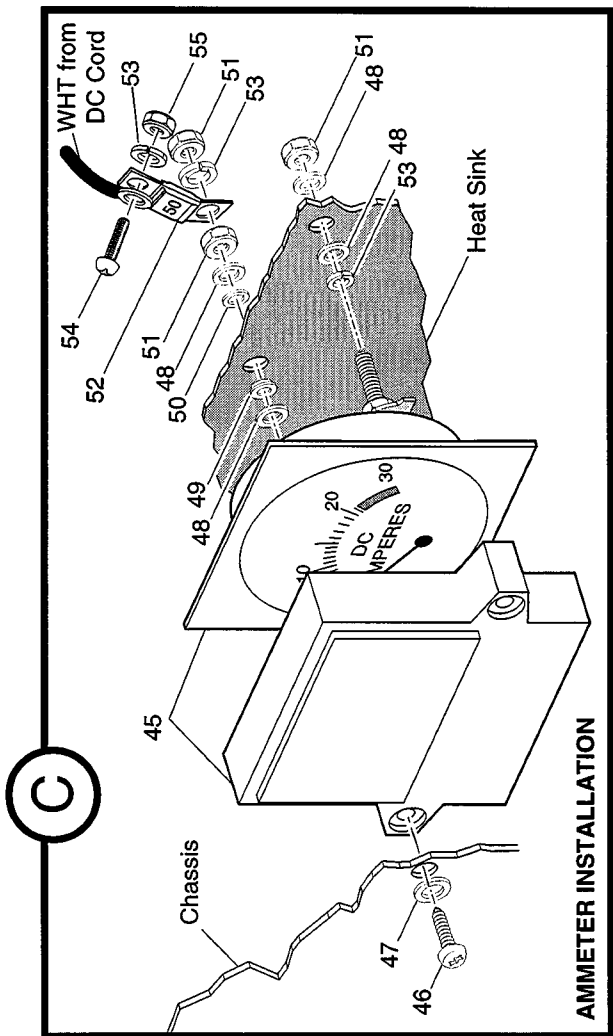
**TRANSFORMER LEG
INSTALLATION**



**POWER INPUT BOARD
INSTALLATION**

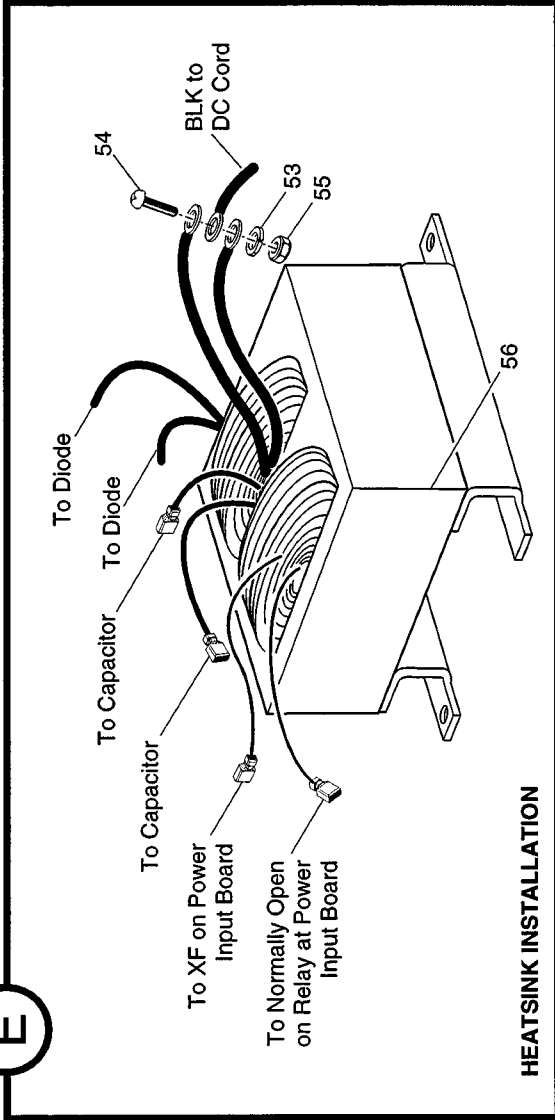


**CONTROL BOARD
CONNECTIONS**



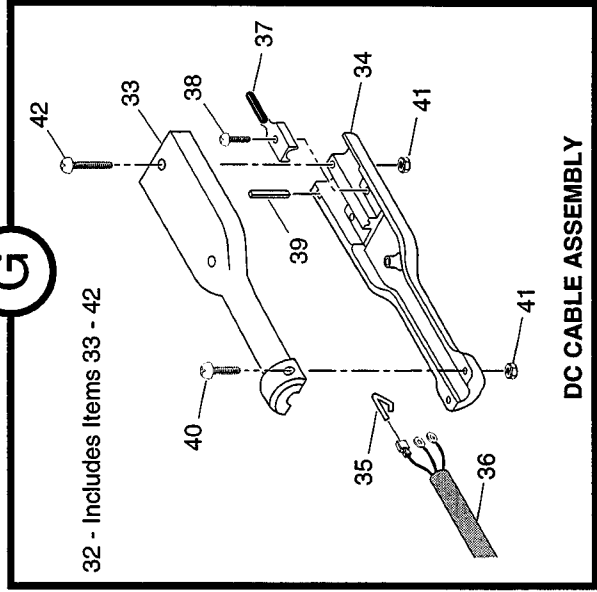
AMMETER INSTALLATION

E



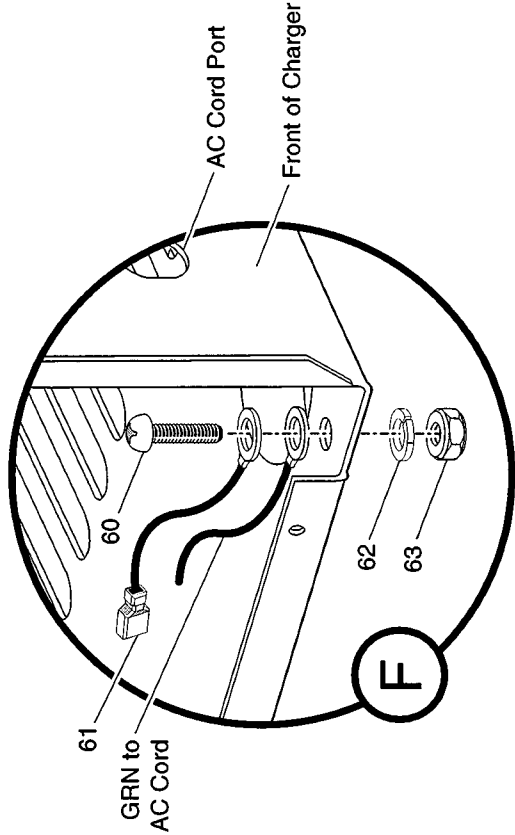
HEATSINK INSTALLATION

G



DC CABLE ASSEMBLY

F



GROUNDING DETAIL

BATTERY CHARGER

Electric Vehicle

THE USE OF NON UL PARTS WILL VOID ANY UL LISTING.

When ordering parts, please specify the model and serial number of the product.

* Indicates a component that is not available as an individual part.

G** Indicates consult Customer Service Department for additional information.

ITEM	PART NO.	1 2 3 4 5	DESCRIPTION	QTY.
1	28115-G01		POWERWISE™ CHARGER (INCLUDES ITEMS 3 - 67)	1
2	28115-G02		POWERWISE™ + CHARGER (INCLUDES ITEMS 3 - 63 AND 69 - 71).....	1
3	*		CHASSIS	1
4	00513-G6		SCREW, #8 - 18 X 1 3/4" LG.	2
5	00559-G4		WASHER, #8	2
6	11572-G3		PLASTIC EXPANSION NUT	2
7	28104-G01		HEAT SINK	1
8	00138-G3		SCREW, #6-32 X 3/8" LG	2
9	00559-G3		WASHER, #6.	2
10	00567-G3		LOCK WASHER, #6.....	5
11	00525-G5		NUT, #6 - 32.....	2
12	18488-G1		DIODE.....	2
13	00565-G7		LOCKWASHER, 1/4"	2
14	00532-G2		NUT, 1/4 - 28.....	2
15	01005-G01		SCREW, #6 - 19 X 5/16" LG.	3
16				
17	28111-G01		CONTROL BOARD SUPPORT	3
18	28110-G01		ELECTRICAL CLIP.....	1
19	00614-G4		SCREW, #8 - 18 X 1/2" LG.	6
20	*		COVER	1
21	28102-G01		HANDLE	1
22	28136-G01		LABEL (VENTILATION)	1
23	28136-G02		LABEL (CORD CONDITION).....	1
24	26979-G01		CAPACITOR BRACKET	1
25	28109-G01		CAPACITOR.....	1
26	00969-G01		SCREW, #8 - 32 X 3/8" LG.	3
27	00414-G5		SCREW, 1/4 - 20 X 5/8" LG.	3
28	11027-G2		LOCK NUT, 1/4 - 20.....	3
29	19388-G4		AC CORD	1
30	13557-G2		STRAIN RELIEF (AC).....	1

THE USE OF NON UL PARTS WILL VOID ANY UL LISTING.

When ordering parts, please specify the model and serial number of the product.

* Indicates a component that is not available as an individual part.

G** Indicates consult Customer Service Department for additional information.

ITEM	PART NO.	1 2 3 4 5	DESCRIPTION	QTY.
31	13557-G3		STRAIN RELIEF (DC)	1
32	28137-G01		DC CORD AND HANDLE ASSEMBLY (INCLUDES ITEMS 33 - 42)	1
33	73051-G11		PLUG (TOP HALF).....	1
34	73051-G12		PLUG (BOTTOM HALF).....	1
35	73051-G13		AUXILARY CONTACT	1
36	28114-G01		DC CORD	1
37	73051-G14		MALE PIN	2
38	73051-G08		BRASS SCREW, #10 - 32 X 1/2" LG.	2
39	73051-G15		MAGNET	1
40	73051-G16		SCREW, #6 - 32 X 1/2" LG. (STAINLESS STEEL)	2
41	73051-G10		LOCK NUT, #6 - 32	4
42	73051-G17		SCREW, #6 - 32 X 1" LG. (STAINLESS STEEL)	2
43				
44				
45	28105-G01		AMMETER.....	1
46	00984-G01		SCREW, #8 - 10 X 1/2" LG.	2
47	00559-G4		WASHER, #8	2
48	01003-G01		BRASS WASHER, #10	4
49	22589-G2		SHOULDER WASHER, #10	1
50	00771-G6		NYLON WASHER, #10.....	1
51	00528-G4		NUT, #10 - 32.....	3
52	28106-G01		50 AMP FUSE	1
53	00565-G5		LOCK WASHER, #10	4
54	00378-G4		SCREW, #10 - 24 X 1/2" LG.	2
55	00526-G3		NUT, #10 - 24.....	2
56	28103-G01		TRANSFORMER.....	1
57	27877-G01		SPACER SUPPORT	4
58	17618-G1		WIRE TIE.....	2
59				
60	00372-G3		SCREW, #8 - 32 X 3/8" LG.	1



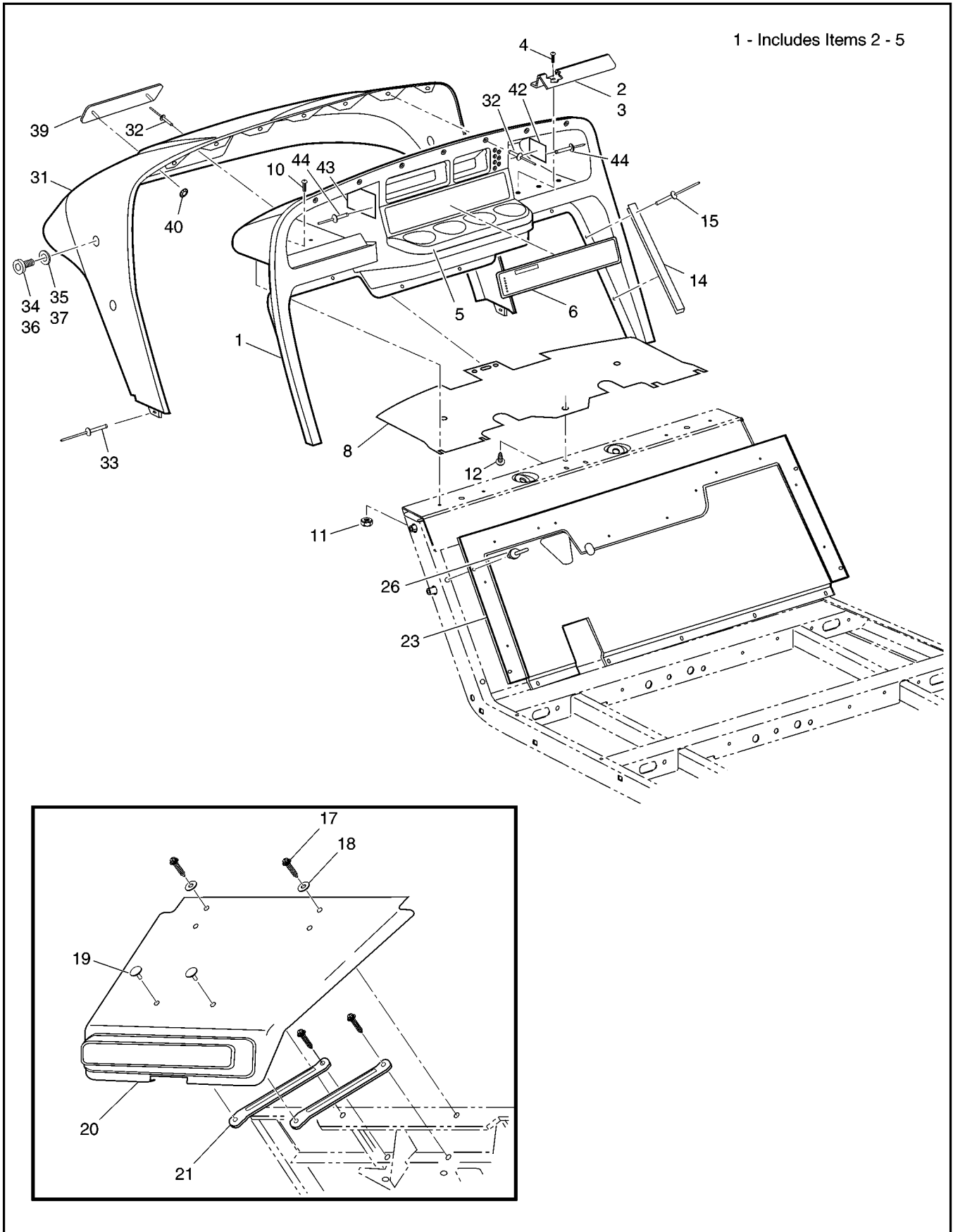
THE USE OF NON UL PARTS WILL VOID ANY UL LISTING.

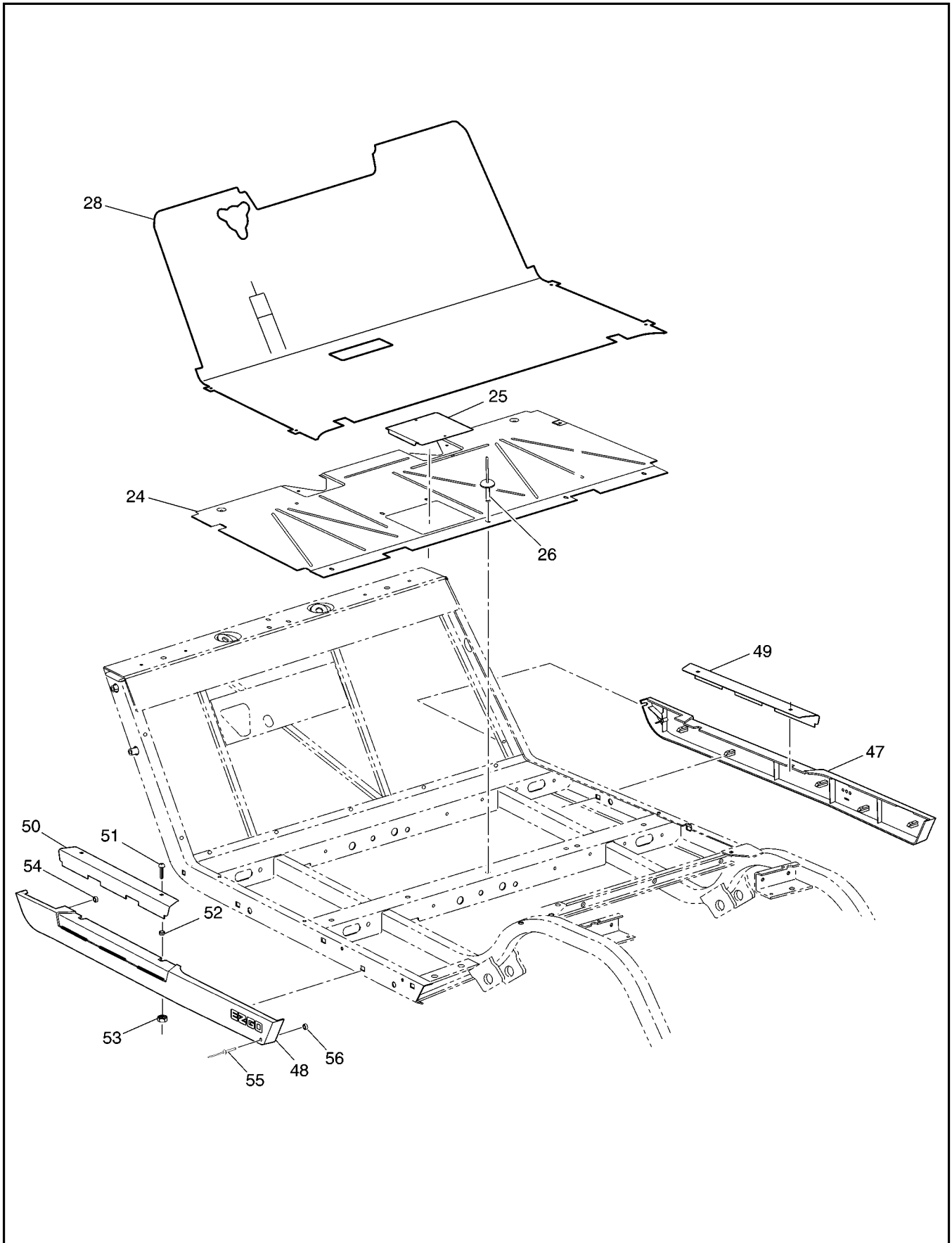
When ordering parts, please specify the model and serial number of the product.

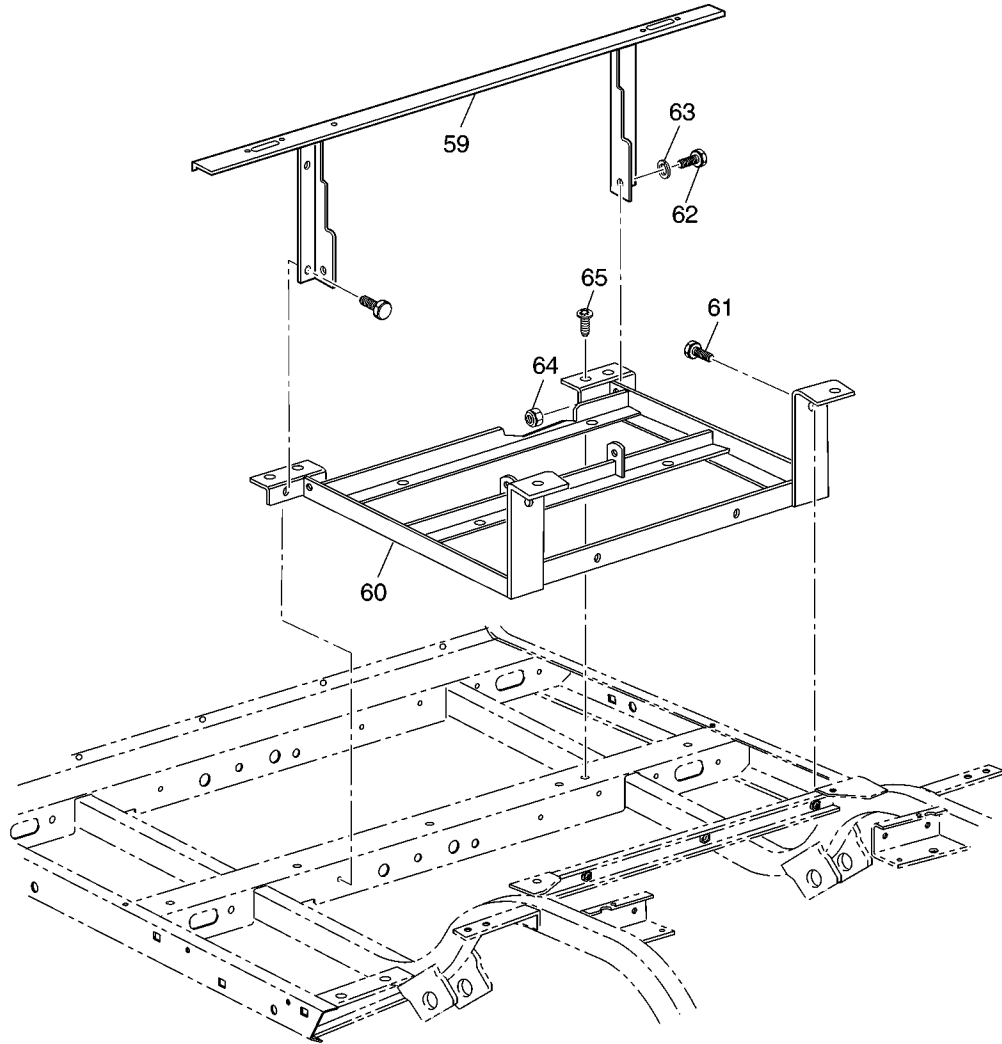
* Indicates a component that is not available as an individual part.

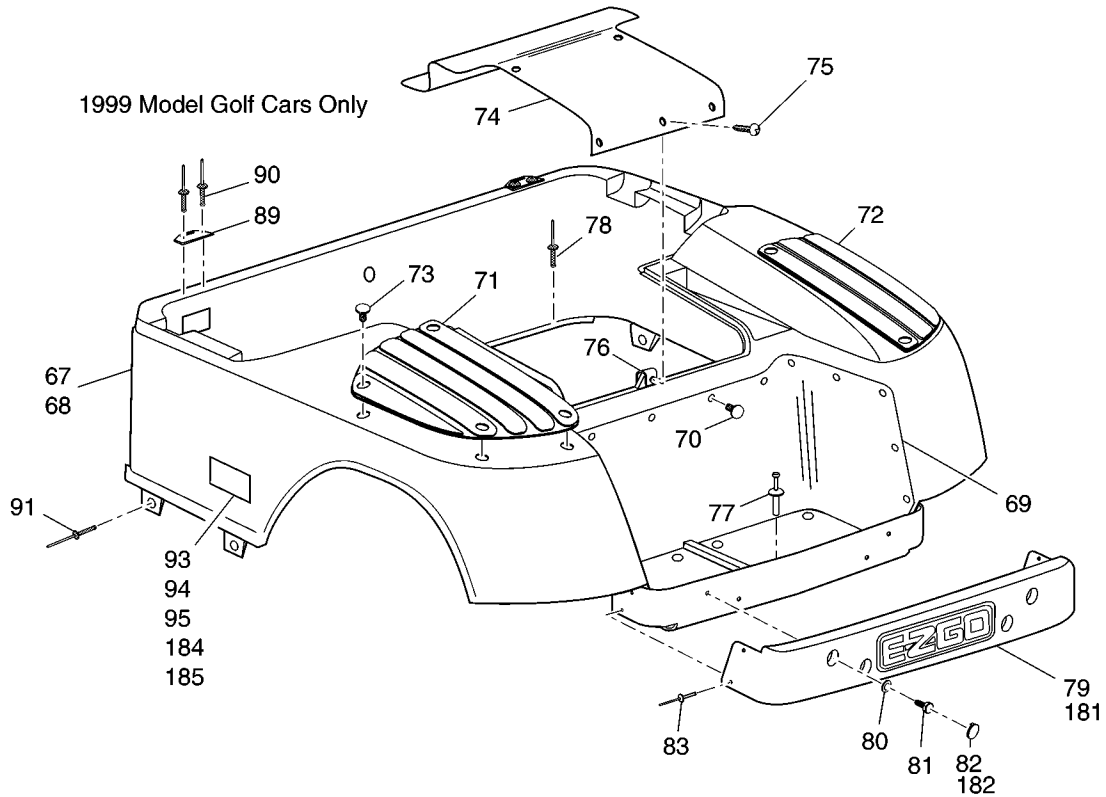
G** Indicates consult Customer Service Department for additional information.

ITEM	PART NO.	1	2	3	4	5	DESCRIPTION	QTY.
61	25977-G32						16 GA. WIRE (GREEN, 4")	1
62	00565-G4						LOCK WASHER, #8.....	1
63	00526-G1						NUT, #8 - 32.....	1
64								
65	*						LABEL (POWERWISE™)	1
66	28126-G01						CONTROL BOARD (POWERWISE™)	1
67	28126-G03						POWER INPUT BOARD (POWERWISE™)	1
68								
69	*						LABEL (POWERWISE™+)	1
70	28126-G02						CONTROL BOARD (POWERWISE™+)	1
71	28126-G04						POWER INPUT BOARD (POWERWISE™+)	1

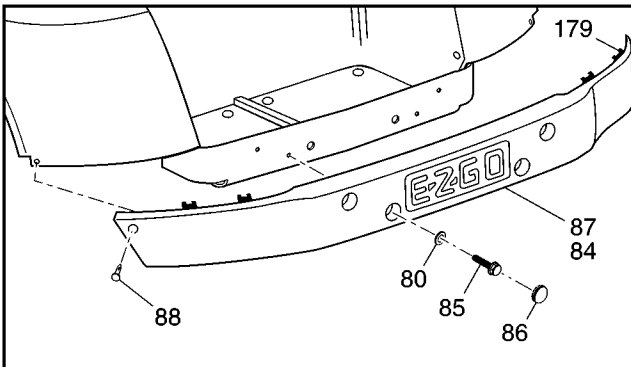




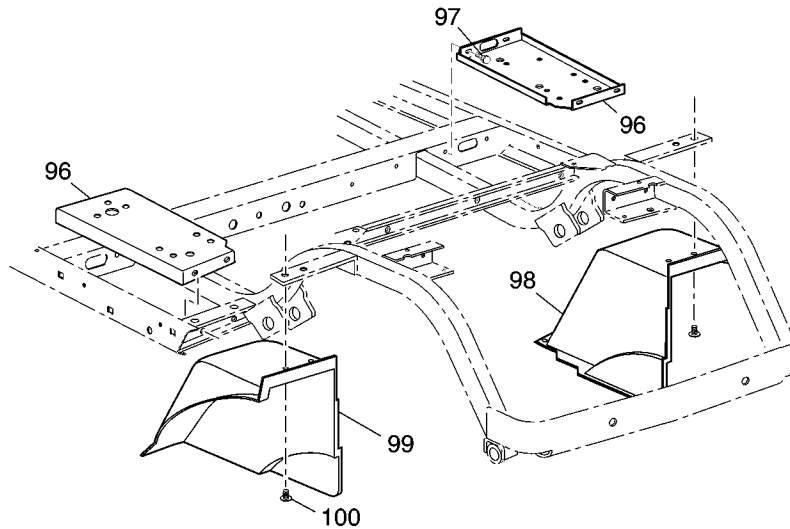
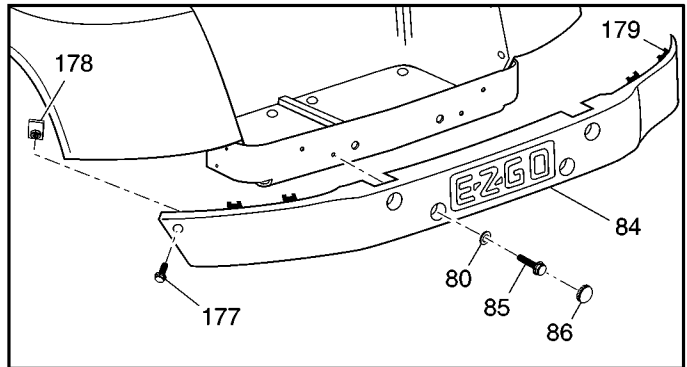




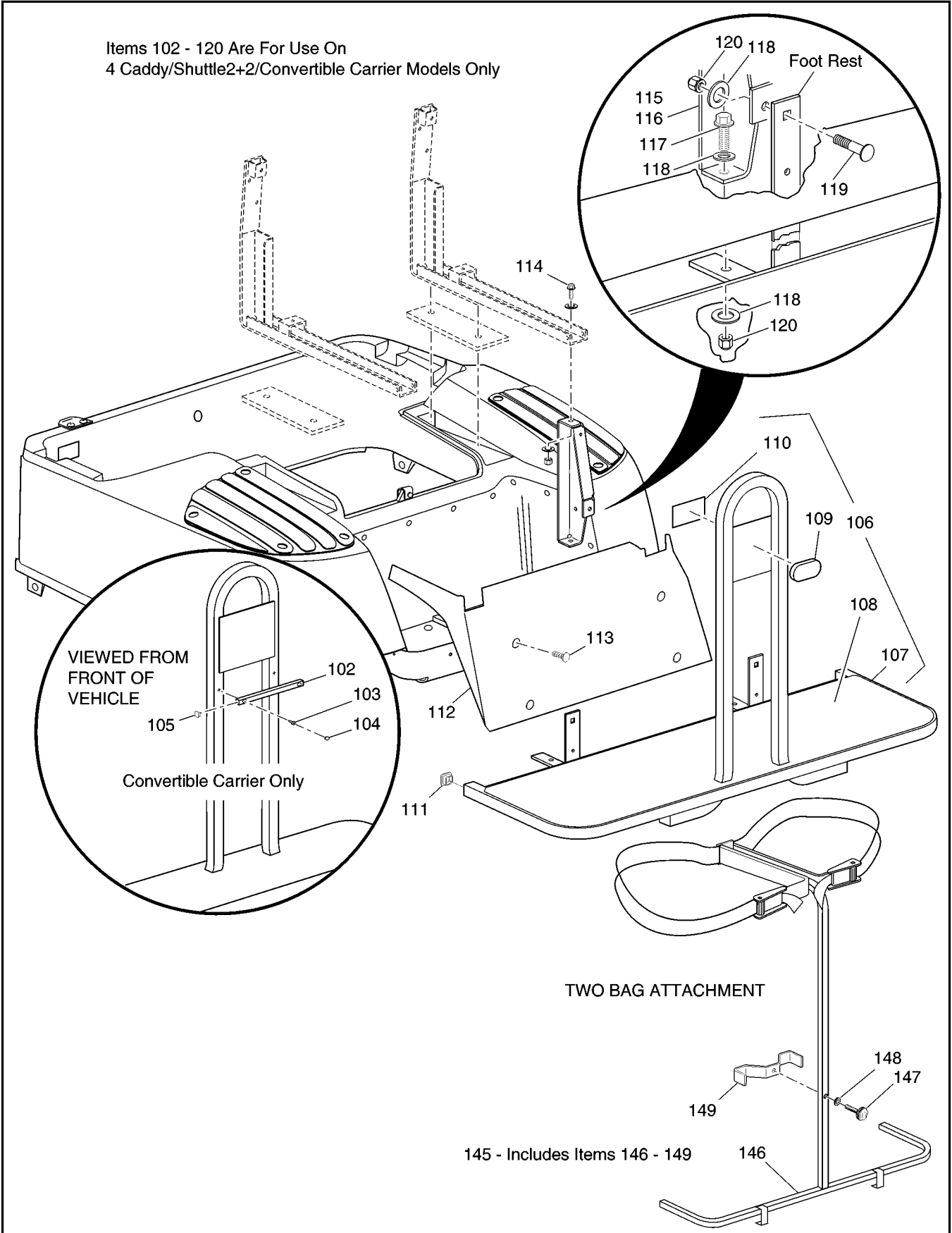
All 1998 Models Only

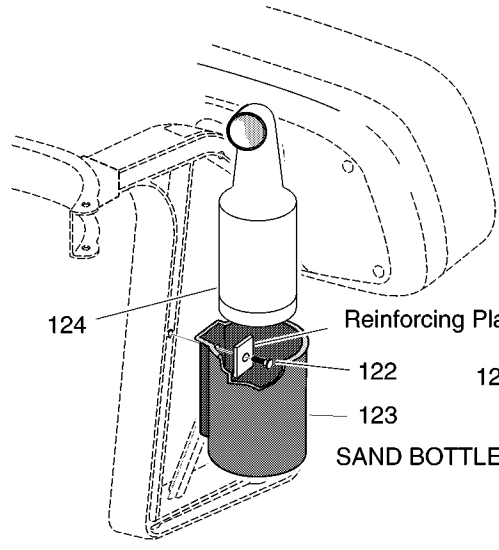


1999 4 Caddy/Shuttle2+2/Convertible Carrier Models Only

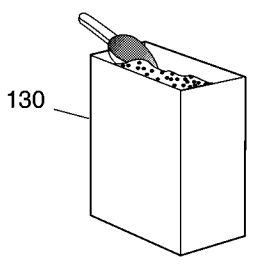


Items 102 - 120 Are For Use On
4 Caddy/Shuttle2+2/Convertible Carrier Models Only

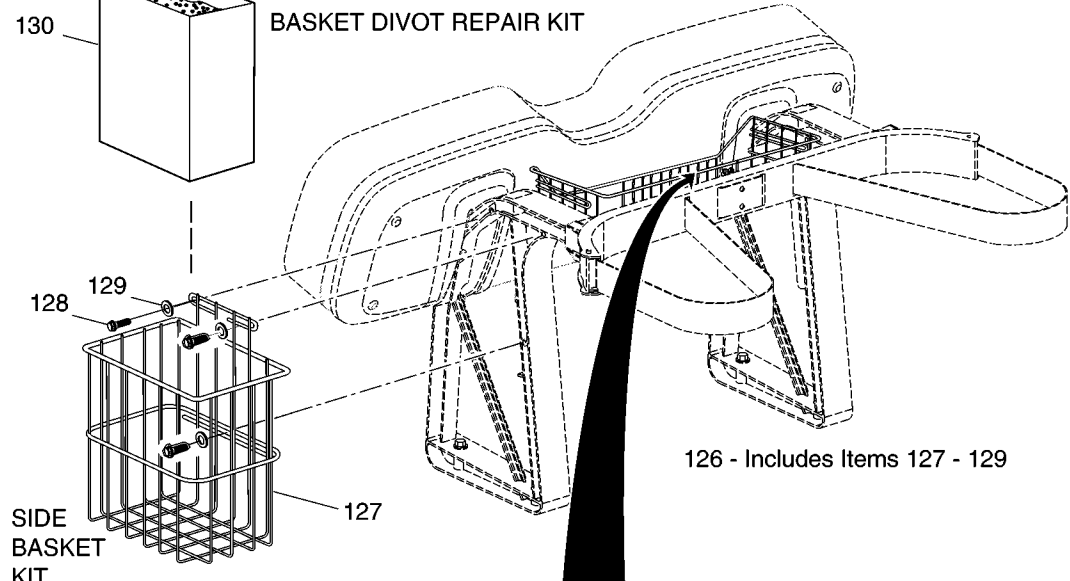




124 Reinforcing Plate
122 121 - Includes Items 122 - 124
123
SAND BOTTLE DIVOT REPAIR KIT

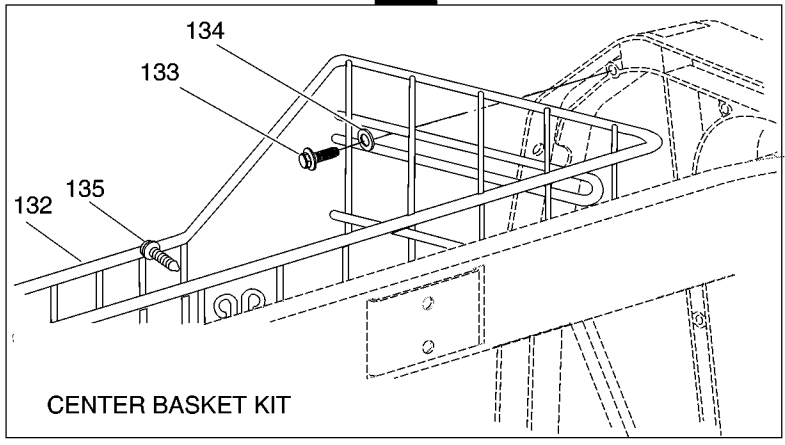


130 BASKET DIVOT REPAIR KIT



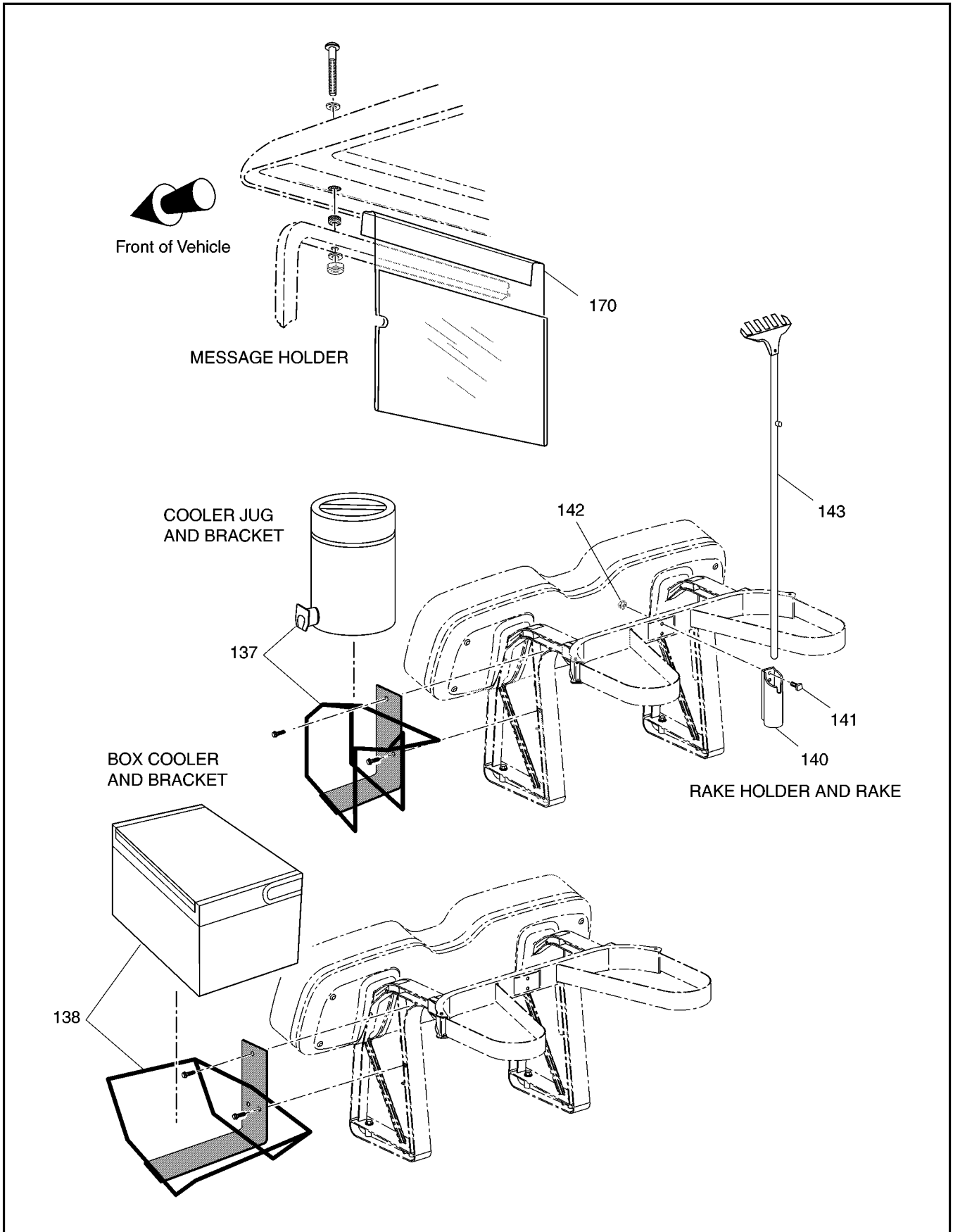
SIDE BASKET KIT
127

126 - Includes Items 127 - 129

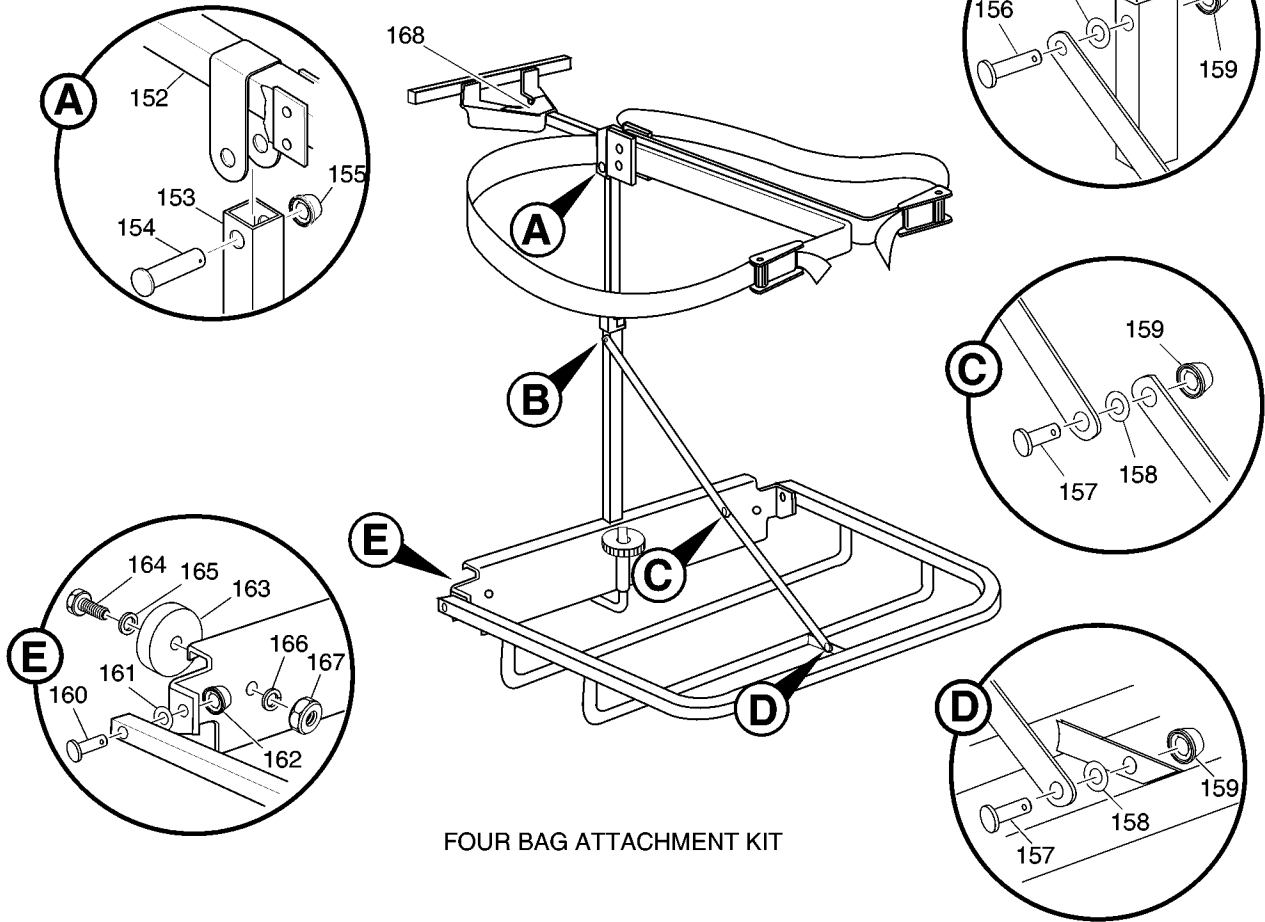


CENTER BASKET KIT

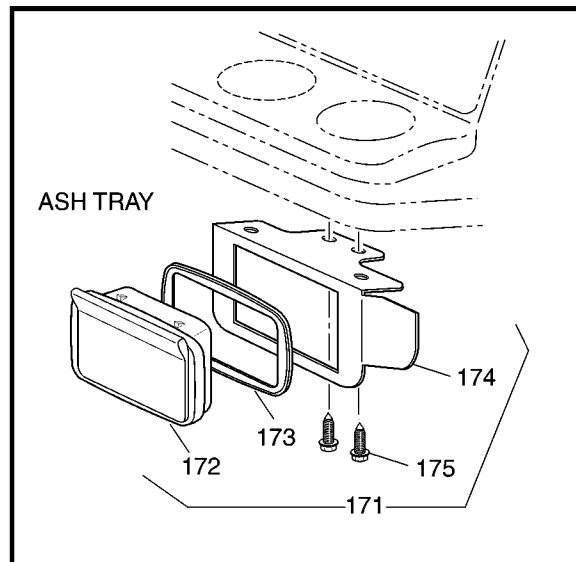
131 - Includes Items 132 - 135



151 - Includes Items 152 - 168



FOUR BAG ATTACHMENT KIT



ASH TRAY

When ordering parts, please specify the model and serial number of the product.
 * Indicates a component that is not available as an individual part.
 G** Indicates consult Customer Service Department for additional information.

ITEM	PART NO.	1 2 3 4 5	DESCRIPTION	QTY.
1	71151-G01		INSTRUMENT PANEL ASSEMBLY (INCLUDES ITEMS 2 - 5)	1
2	71153-G01		BALL DEFLECTOR (PASSENGER SIDE)	1
3	71154-G01		BALL DEFLECTOR (DRIVER SIDE).....	1
4	00614-G5		SCREW, #8 - 18 X 5/8" LG.....	6
5	71158-G01		INSTRUMENT PANEL INSERT (4 CUP HOLDER)	1
6	27647-G01		LABEL (SAFETY).....	1
7				
8	71413-G01		SPLASH PANEL.....	1
9				
10	01036-G01		SCREW, #10 - 24 X 3/4" LG.	4
11	11098-G7		LOCK NUT, #10 - 24	4
12	16816-G2		RATCHET FASTENER, 1/4" X 3/4" LG.....	1
13				
14	71115-G01		VINYL TRIM	2
15	71055-G01		RIVET, 3/16" X 3/8" LG.	10
16				
17	01038-G01		SCREW, 1/4 - 20 X 1/2" LG.	4
18	16469-G7		WASHER, 1/4"	2
19	16816-G2		RATCHET FASTENER, 1/4" X 3/4" LG.....	2
20	27166-G02		FRONT SHIELD.....	1
21	71015-G01		FRONT SHIELD BRACE.....	2
22				
23	71510-G01		UPPER FLOORPAN	1
24	70451-G01		LOWER FLOORPAN.....	1
25	70452-G01		ACCESS COVER.....	1
26	14601-G11		RIVET, 3/16 X 9/16" LG.....	16
27				
28	70048-G01		FLOORMAT.....	1
29				
30				



When ordering parts, please specify the model and serial number of the product.

* Indicates a component that is not available as an individual part.

G** Indicates consult Customer Service Department for additional information.

ITEM	PART NO.	1 2 3 4 5	DESCRIPTION	QTY.
31	71051-G**		COWL	1
32	71055-G01		RIVET, 3/16" X 3/8" LG.	9
33	10570-G11		RIVET, 3/16" X 3/4" LG.	2
34	71056-G01		BOLT, 5/16 - 18 X 5/8" LG.	4
35	00570-G2		WASHER, 5/16.....	4
36	00438-G6		BOLT, 5/16 - 18 X 3/4" LG. (WITH TOP)	2
37	00571-G2		WASHER, 5/16" (WITH TOP)	2
38				
39	71037-G02		E-Z-GO NAMEPLATE (GOLD).....	1
40	12064-G3		PUSHNUT, 3/16"	2
41				
42	*		SERIAL NUMBER PLATE.....	1
43	*		EC PLATE	1
44	10141-G01		RIVET, 5/32" X 7/8" LG.	4
45				
46				
47	71501-G01		ROCKER PANEL (PASSENGER SIDE)	1
48	71502-G01		ROCKER PANEL (DRIVER SIDE)	1
49	71507-G01		SILL PLATE (PASSENGER SIDE).....	1
50	71507-G02		SILL PLATE (DRIVER SIDE)	1
51	16705-G1		SCREW, 1/4 - 20 X 1" LG. (STAINLESS STEEL)	4
52	23726-G4		SPACER.....	4
53	00891-G2		LOCK NUT, 1/4 - 20	4
54	23726-G6		SPACER.....	1
55	15058-G4		RIVET, 3/16" X 5/16" LG.	2
56	23726-G7		SPACER.....	1
57				
58				
59	70441-G01		SEAT FRAME.....	1
60	70046-G01		BATTERY RACK.....	1



When ordering parts, please specify the model and serial number of the product.
 * Indicates a component that is not available as an individual part.
 G** Indicates consult Customer Service Department for additional information.

ITEM	PART NO.	1 2 3 4 5	DESCRIPTION	QTY.
61	00715-G2		BOLT, 5/16 - 18 X 13/16" LG.	4
62	00438-G6		BOLT, 5/16 - 18 X 3/4" LG.	2
63	00559-G8		WASHER, 5/16"	2
64	11098-G6		LOCK NUT, 5/16 - 18	2
65	70200-G01		SCREW, 3/8 - 16 X 1/4" LG.	2
66				
67	71912-G**		REAR BODY (WITHOUT TAILLIGHTS) (INCLUDES ITEMS 69, 70)	1
68	71334-G**		REAR BODY (WITH TAILLIGHTS) (INCLUDES ITEMS 69, 70)	1
69	71318-G01		BAGWELL LINER.....	1
70	16816-G1		RATCHET FASTENER, 1/4" X 5/8" LG.	26
71	75126-G01		FENDER SCUFFGUARD (DRIVER SIDE)	1
72	75126-G02		FENDER SCUFFGUARD (PASSENGER SIDE).....	1
73	16816-G2		RATCHET FASTENER, 1/4" X 3/4" LG.....	8
74	71320-G01		ACCESS PANEL.....	1
75	71002-G01		SCREW, #8 X 5/8" LG.....	5
76	71364-G02		"J" CLIP.....	1
77	18436-G1		RIVET, 1/4" X 3/4" LG.	2
78	10570-G10		RIVET, 5/32" X 9/16" LG.	6
79	71336-G01		REAR BUMPER (EARLY 1999 GOLF CARS ONLY).....	1
80	00559-G8		WASHER, 5/16"	4
81	01039-G01		BOLT, 1/4 - 20 X 5/8" LG.....	4
82	71945-G01		BUMPER PLUG (EARLY 1999 GOLF CARS ONLY).....	4
83	14601-G17		RIVET, 3/16" X 9/16" LG.	4
84	71456-G01		NOTCHED REAR BUMPER (1998-99 4 CADDY/SHUTTLE2+2)	1
85	71398-G01		BOLT, 1/4 - 20 X 1 1/4" LG.....	4
86	71455-G01		BUMPER PLUG.....	4
87	71451-G01		REAR BUMPER (1998 GOLF CARS ONLY)	1
88	16816-G4		RATCHET FASTENER.....	2
89	71609-G01		HINGE PLATE.....	2
90	10570-G11		RIVET, 3/16" X 3/4" LG.	4

When ordering parts, please specify the model and serial number of the product.

* Indicates a component that is not available as an individual part.

G** Indicates consult Customer Service Department for additional information.

ITEM	PART NO.	1 2 3 4 5	DESCRIPTION	QTY.
91	10570-G12		RIVET, 1/4" X 1/2" LG.	4
92				
93	23676-G1		DECAL (FREEDOM)	AR
94	75178-G01		DECAL (4 CADDY)	AR
95	73162-G01		DECAL (DCS)	AR
96	70244-G02		SPLASH PANEL.....	2
97	00715-G2		BOLT, 5/16 - 18 X 13/16" LG.....	8
98	71812-G01		FENDER LINER (PASSENGER SIDE)	1
99	71812-G02		FENDER LINER (DRIVER SIDE).....	1
100	16816-G2		RATCHET FASTENER, 1/4" X 3/4" LG.....	8
101				
102	75268-G01		SUPPORT	1
103	00106-G6		SCREW, #12 - 24 X 3/4" LG.	2
104	19859-G1		END CAP, 3/4"	2
105	20271-G2		HOLE PLUG, 1/2"	2
106	70361-G01		FOOT REST ASSEMBLY (INCLUDES ITEMS 107 - 110)	1
107	70350-G01		FOOTREST	1
108	70362-G01		FLOORMAT	1
109	74129-G01		REFLECTOR.....	1
110	74132-G01		LABEL (WARNING).....	1
111	19853-G1		END CAP, 1"	2
112	74149-G01		VALANCE PANEL	1
113	16816-G2		RATCHET FASTENER, 1/4" X 3/4" LG.....	4
114	00426-G8		BOLT, 3/8-16 X 1" LG.....	2
115	74126-G01		VERTICAL FRAME SUPPORT (PASSENGER SIDE)	1
116	74126-G02		VERTICAL FRAME SUPPORT (DRIVER SIDE)	1
117	00427-G4		BOLT, 3/8 - 16 X 1 1/2" LG.....	2
118	00560-G1		WASHER, 3/8"	10
119	00769-G2		CARRIAGE BOLT, 3/8 - 16 X 1 1/4" LG.	2
120	11098-G5		LOCK NUT, 3/8 - 16	10



When ordering parts, please specify the model and serial number of the product.
 * Indicates a component that is not available as an individual part.
 G** Indicates consult Customer Service Department for additional information.

ITEM	PART NO.	1	2	3	4	5	DESCRIPTION	QTY.
121	75009-G01						SAND BOTTLE DIVOT REPAIR KIT.....	1
122	71102-G01						BOLT, 1/4 - 20 X 3/4" LG.....	1
123	27374-G01						SAND BOTTLE HOLDER.....	1
124	27373-G01						SAND BOTTLE.....	1
125								
126	75007-G02						SIDE BASKET KIT	1
127	75460-G01						SIDE BASKET	1
128	71102-G01						BOLT, 1/4 - 20 X 3/4" LG.....	3
129	01031-G01						FLAT WASHER, 1/4"	3
130	23300-G01						BASKET DIVOT REPAIR KIT (INCLUDES SCOOP).....	1
131	75003-G02						CENTER BASKET KIT.....	1
132	75461-G01						CENTER BASKET.....	1
133	71102-G01						BOLT, 1/4 - 20 X 3/4" LG.....	3
134	01031-G01						FLAT WASHER, 1/4"	3
135	01032-G01						PLASTITE SCREW, #10 X 5/8" LG.....	2
136								
137	75170-G01						COOLER JUG AND BRACKET KIT.....	1
138	75344-G01						BOX COOLER AND BRACKET KIT	1
139								
140	25885-G01						RAKE HOLDER	1
141	00989-G06						SQUARE HEAD BOLT, 1/4 - 20 X 3/4" LG.....	2
142	11027-G2						LOCK NUT, 1/4 - 20	2
143	14735-G1						RAKE	1
144								
145	75183-G01						TWO BAG ATTACHMENT KIT.....	1
146	75188-G01						BAG ATTACHMENT	1
147	22238-G2						KNOB, 3/8 - 16 X 1 1/2" LG.....	1
148	17255-G1						TEFLON WASHER, 5/16"	1
149	75187-G01						SUPPORT BRACKET	1
150								



When ordering parts, please specify the model and serial number of the product.

* Indicates a component that is not available as an individual part.

G** Indicates consult Customer Service Department for additional information.

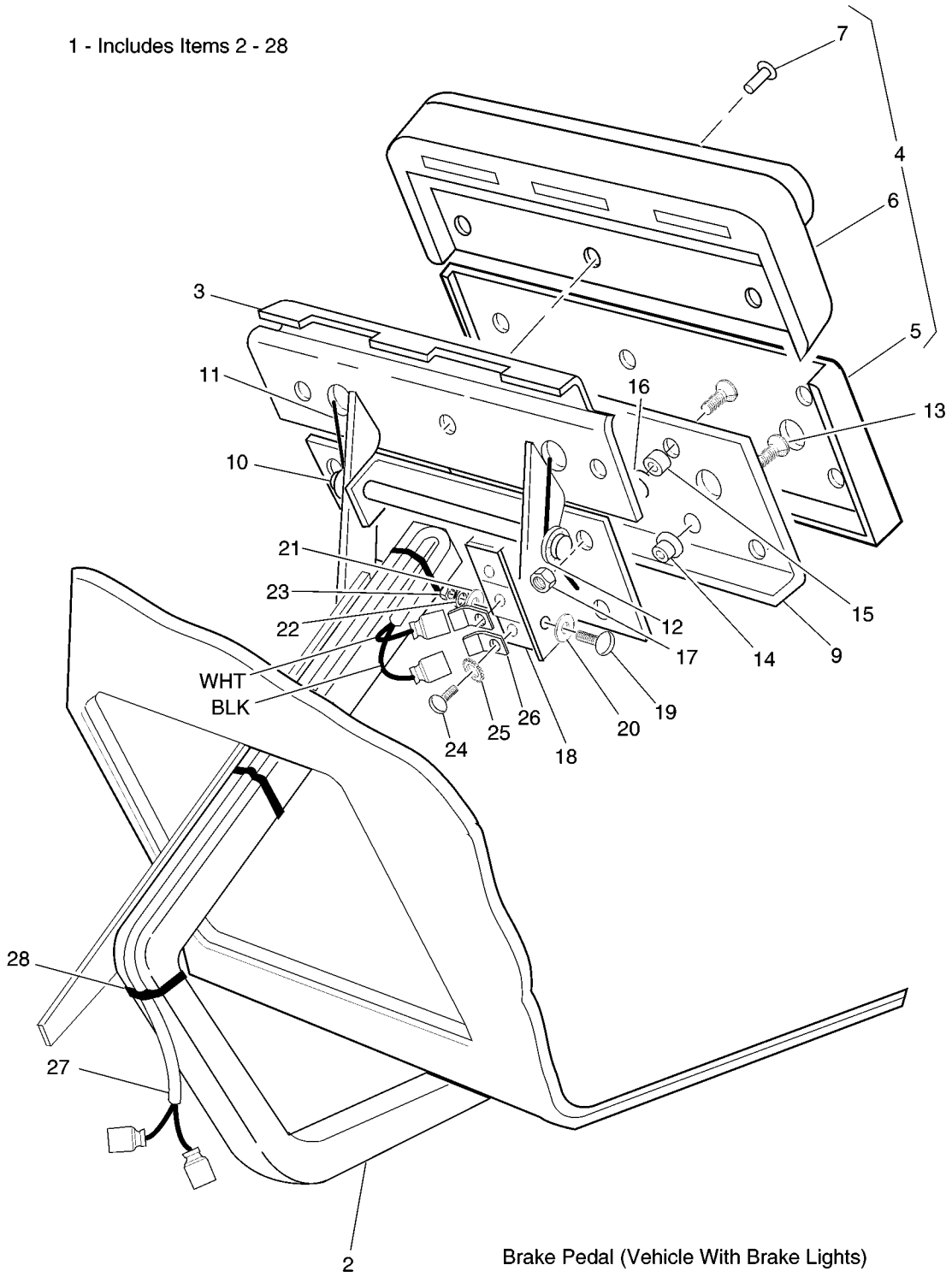
ITEM	PART NO.	1	2	3	4	5	DESCRIPTION	QTY.
151	75355-G01						FOUR BAG ATTACHMENT KIT.....	1
152	*						TOP ASSEMBLY.....	1
153	*						BOTTOM ASSEMBLY.....	1
154	17651-G2						CLEVIS PIN, 5/16 X 1 1/4" LG.....	1
155	28129-G01						PUSH NUT, 5/16".....	1
156	17651-G2						CLEVIS PIN, 5/16 X 1 1/4" LG.....	1
157	17651-G3						CLEVIS PIN, 5/16 X 1/2" LG.....	2
158	00559-G8						WASHER, 5/16".....	3
159	28129-G01						PUSH NUT, 5/16".....	3
160	*						CLEVIS PIN 3/8 X 1 1/4"LG.....	2
161	00560-G1						WASHER, 3/8".....	2
162	*						PUSH NUT, 3/8".....	2
163	13728-G1						RUBBER BUMPER.....	2
164	00150-G6						SCREW, #10 - 24 X 3/4" LG.....	2
165	00559-G5						WASHER, #10.....	2
166	00565-G5						LOCK WASHER, #10.....	2
167	00526-G3						NUT, #10 - 24.....	2
168	*						LABEL (WARNING).....	1
169								
170	75094-G01						MESSAGE HOLDER.....	1
171	75109-G02						ASH TRAY KIT.....	1
172	27731-G01						ASH TRAY.....	1
173	27736-G01						GASKET.....	1
174	75108-G01						BRACKET.....	1
175	00100-G4						SCREW, #10 - 16 X 1/2" LG.....	4
176								
177	01038-G01						BOLT, 1/4 - 20 x 11/16" LG.....	2
178	01042-G01						J-TYPE NUT RETAINER.....	2
179	71457-G01						BUMPER STAY.....	4
180								

When ordering parts, please specify the model and serial number of the product.
 * Indicates a component that is not available as an individual part.
 G** Indicates consult Customer Service Department for additional information.

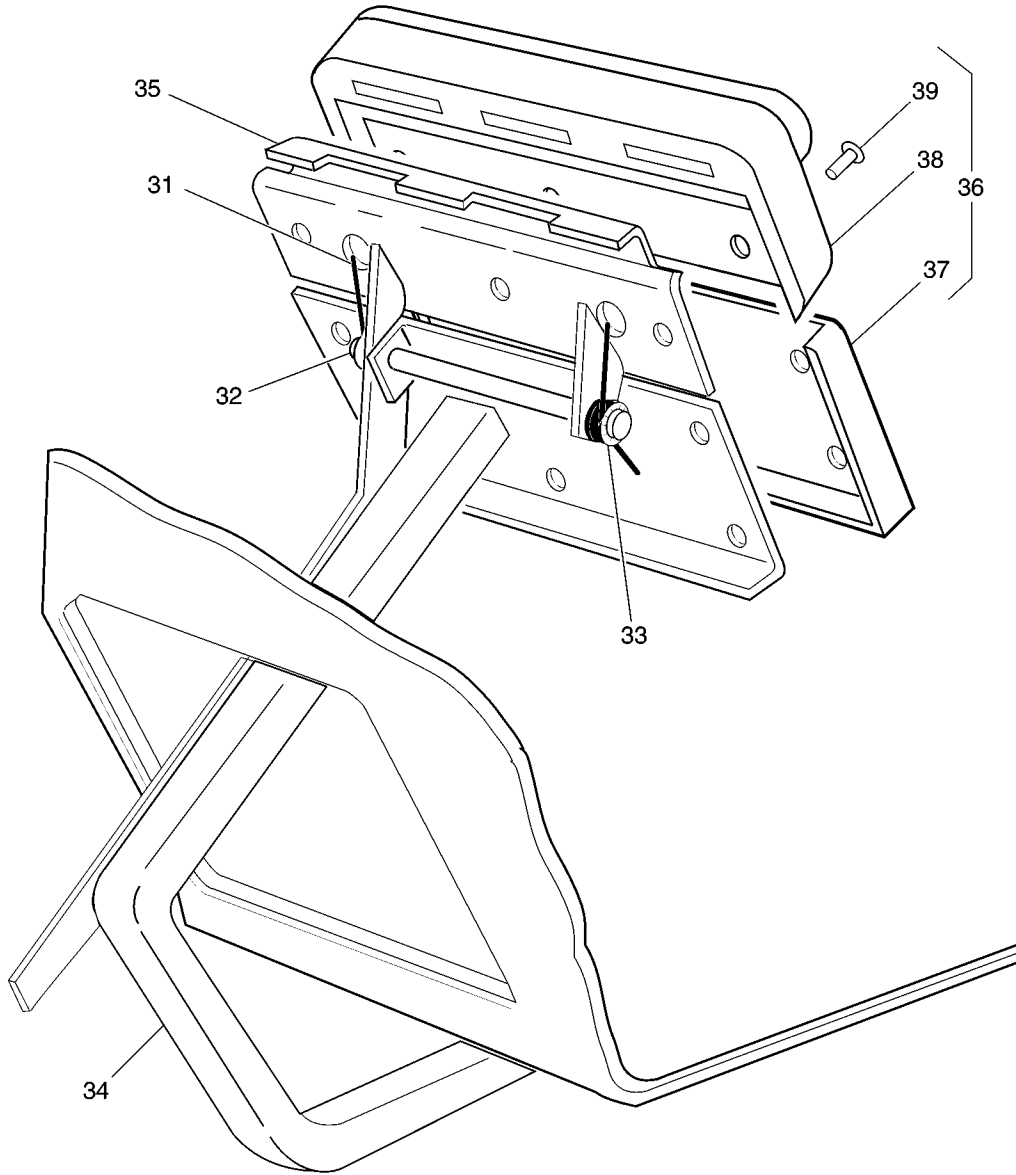
ITEM	PART NO.	1 2 3 4 5	DESCRIPTION	QTY.
181	71515-G01		REAR BUMPER (LATE 1999 GOLF CARS ONLY)	1
182	71514-G01		BUMPER PLUG (LATE 1999 GOLF CARS ONLY).....	4
183				
184	35434-G01		DECAL (SHUTTLE).....	AR
185	35430-G19		DECAL (2+2).....	AR



1 - Includes Items 2 - 28



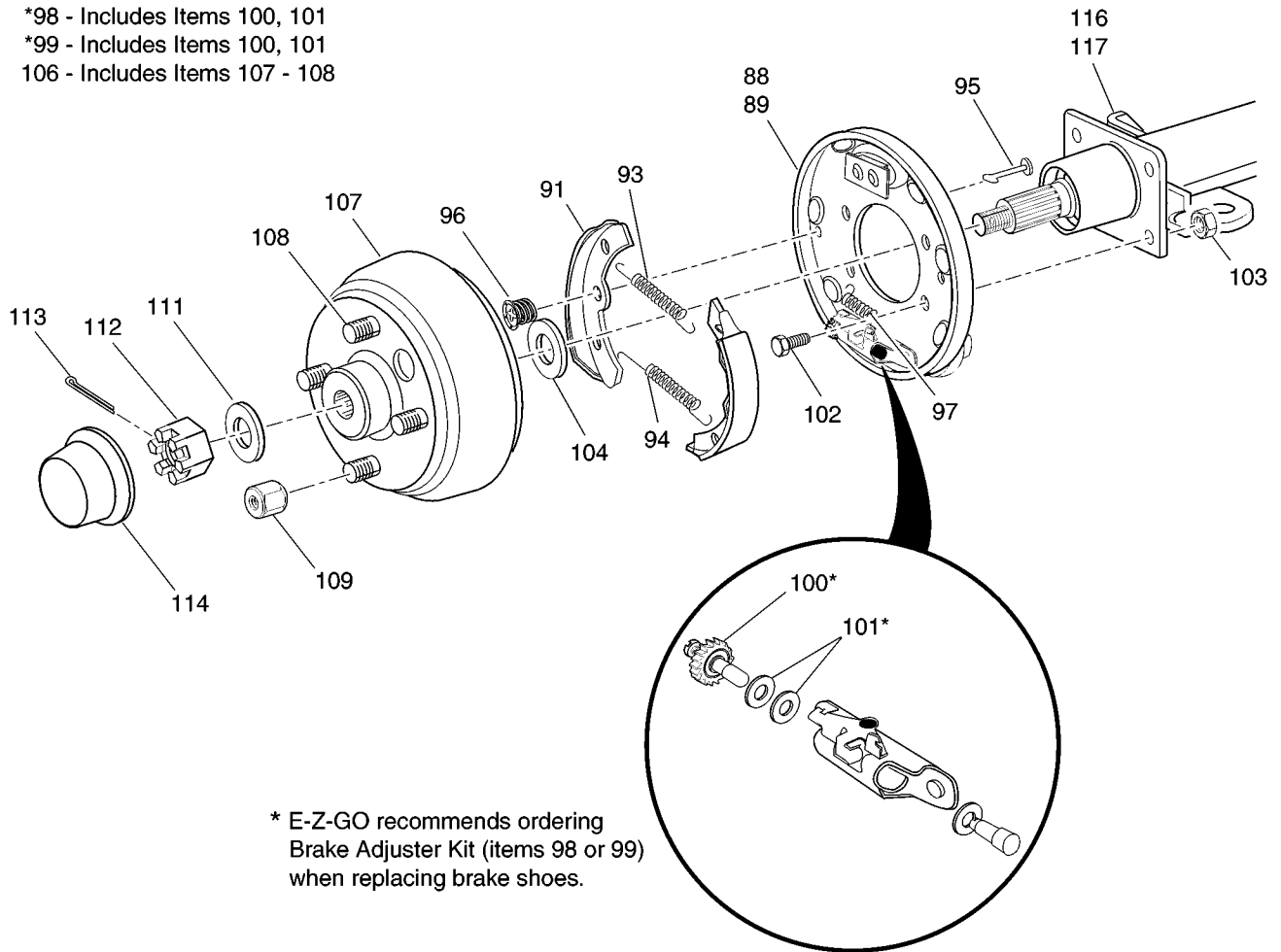
30 - Includes Items 31 - 39



Brake Pedal (Vehicle Without Brake Lights)

- 88 - Includes Items 90 - 98, 100, 101
- 89 - Includes Items 90 - 97, 99 - 101
- 90 - Includes Item 91
- 92 - Includes Items 93 - 97
- *98 - Includes Items 100, 101
- *99 - Includes Items 100, 101
- 106 - Includes Items 107 - 108

Front of Vehicle



* E-Z-GO recommends ordering Brake Adjuster Kit (items 98 or 99) when replacing brake shoes.

When ordering parts, please specify the model and serial number of the product.
 * Indicates a component that is not available as an individual part.
 G** Indicates consult Customer Service Department for additional information.

ITEM	PART NO.	1 2 3 4 5	DESCRIPTION	QTY.
1	70263-G01		BRAKE PEDAL ASSEMBLY (WITH BRAKE LIGHTS) (INCLUDES ITEMS 2 - 28)	1
2	*		BRAKE PEDAL	1
3	70265-G01		PARK BRAKE PEDAL.....	1
4	70274-G01		BRAKE/PARK BRAKE PEDAL PAD KIT (INCLUDES ITEMS 5 - 7)	1
5	*		SERVICE BRAKE PAD	1
6	*		PARK BRAKE PAD	1
7	15766-G1		OVAL RIVET, 3/16" x 3/8" LG	9
8				
9	*		SERVICE BRAKE PEDAL PLATE	1
10	15932-G2		PIVOT PIN	1
11	11737-G1		TORSION SPRING	2
12	12064-G1		PUSHNUT, 5/16"	1
13	00737-G8		SCREW, #10 - 24 X 1" LG	4
14	00739-G1		RUBBER NUT, #10 - 24	2
15	22362-G3		BRAKE PEDAL STANDOFF	2
16	27137-G01		CONICAL SPRING	2
17	11098-G7		LOCK NUT, #10 - 24	2
18	10606-G8		MICRO SWITCH	1
19	00645-G2		SCREW, #6 - 32 X 1 1/4" LG	2
20	00559-G5		WASHER, #10.....	2
21	00559-G3		WASHER, #6.....	2
22	00565-G3		LOCK WASHER, #6.....	2
23	00525-G5		NUT, #6 - 32	2
24	*		BRASS SCREW.....	2
25	00567-G3		LOCK WASHER, #6.....	2
26	14628-G1		FASTON TAB	2
27	24605-G1		WIRE HARNESS (BRAKE LIGHT)	1
28	17618-G1		WIRE TIE	3
29				

When ordering parts, please specify the model and serial number of the product.

* Indicates a component that is not available as an individual part.

G** Indicates consult Customer Service Department for additional information.

ITEM	PART NO.	1 2 3 4 5	DESCRIPTION	QTY.
30	70264-G01		BRAKE PEDAL ASSEMBLY (WITHOUT BRAKE LIGHTS) (INCLUDES ITEMS 31 - 39)	1
31	11737-G1		TORSION SPRING	2
32	15932-G2		PIVOT PIN.....	1
33	12064-G1		PUSHNUT, 5/16"	1
34	*		BRAKE PEDAL.....	1
35	70265-G01		PARK BRAKE PEDAL.....	1
36	70274-G01		BRAKE/PARK BRAKE PEDAL PAD KIT (INCLUDES ITEMS 37 - 39).....	1
37	*		SERVICE BRAKE PAD	1
38	*		PARK BRAKE PEDAL PAD.....	1
39	15766-G1		OVAL RIVET, 3/16" X 3/8" LG	9
40				
41	70582-G01		SHOULDER BOLT, 3/8 - 16 X 4" LG.....	1
42	70581-G01		FLANGED BUSHING	2
43	70676-G01		TORSION SPRING	1
44	00643-G1		WASHER, 3/8"	1
45	11098-G5		LOCK NUT, 3/8 - 16	1
46				
47	70272-G04		COMPENSATOR ASSEMBLY (INCLUDES ITEMS 48 - 56).....	1
48	25882-G04		LINKAGE ROD	1
49	00532-G4		NUT, 5/16 - 24	2
50	27330-G01		YOKE.....	1
51	23463-G1		COMPRESSION SPRING.....	1
52	23061-G2		COMPENSATOR STOP TUBE	1
53	17979-G1		BUSHING	1
54	15121-G1		WASHER, 3/8".....	2
55	00963-G01		SPHERICAL NUT, 5/16 - 24.....	1
56	11098-G9		LOCK NUT, 5/16 - 24.....	1
57				



When ordering parts, please specify the model and serial number of the product.
 * Indicates a component that is not available as an individual part.
 G** Indicates consult Customer Service Department for additional information.

ITEM	PART NO.	1	2	3	4	5	DESCRIPTION	QTY.
58	70716-G03						EQUALIZER AND BRAKE CABLE ASSEMBLY (INCLUDES ITEMS 59 - 62) ...	1
59	*						BRAKE CABLE (DRIVER SIDE)	1
60	*						BRAKE CABLE (PASSENGER SIDE).....	1
61	28082-G01						EQUALIZER BRACKET	1
62	28083-G01						BRAKE COMPENSATOR BUMPER	2
63	12305-G1						RETAINING RING	4
64								
65	12416-G2						WIRE TIE	2
66	10386-G3						CLEVIS PIN, 5/16" X 1" LG.....	3
67	10387-G3						COTTER PIN, 3/32" X 3/4" LG.....	3
68								
69								
70	70601-G01						KICK-OFF LINK	1
71	17838-G1						NYLON BUSHING.....	2
72	20835-G1						TEFLON WASHER, 3/8"	2
73	00559-G8						WASHER, 5/16"	2
74	10387-G3						COTTER PIN, 3/32" X 3/4" LG.....	2
75	70098-G01						KICK-OFF CAM PIVOT.....	1
76	10097-G6						FLANGED BEARING	2
77	25103-G2						KICK-OFF CAM.....	1
78	71215-G01						SETSCREW, 1/4 - 20 X 1/2" LG	2
79	14134-G4						SPACER.....	1
80								
81	70113-G01						ADJUSTABLE BUMPER.....	1
82	11027-G1						LOCK NUT, 5/16 - 18	1
83								
84	70080-G01						CATCH BRACKET	1
85	00414-G6						BOLT, 1/4 - 20 X 3/4" LG.....	2
86	11027-G2						LOCK NUT, 1/4 - 20	2
87								

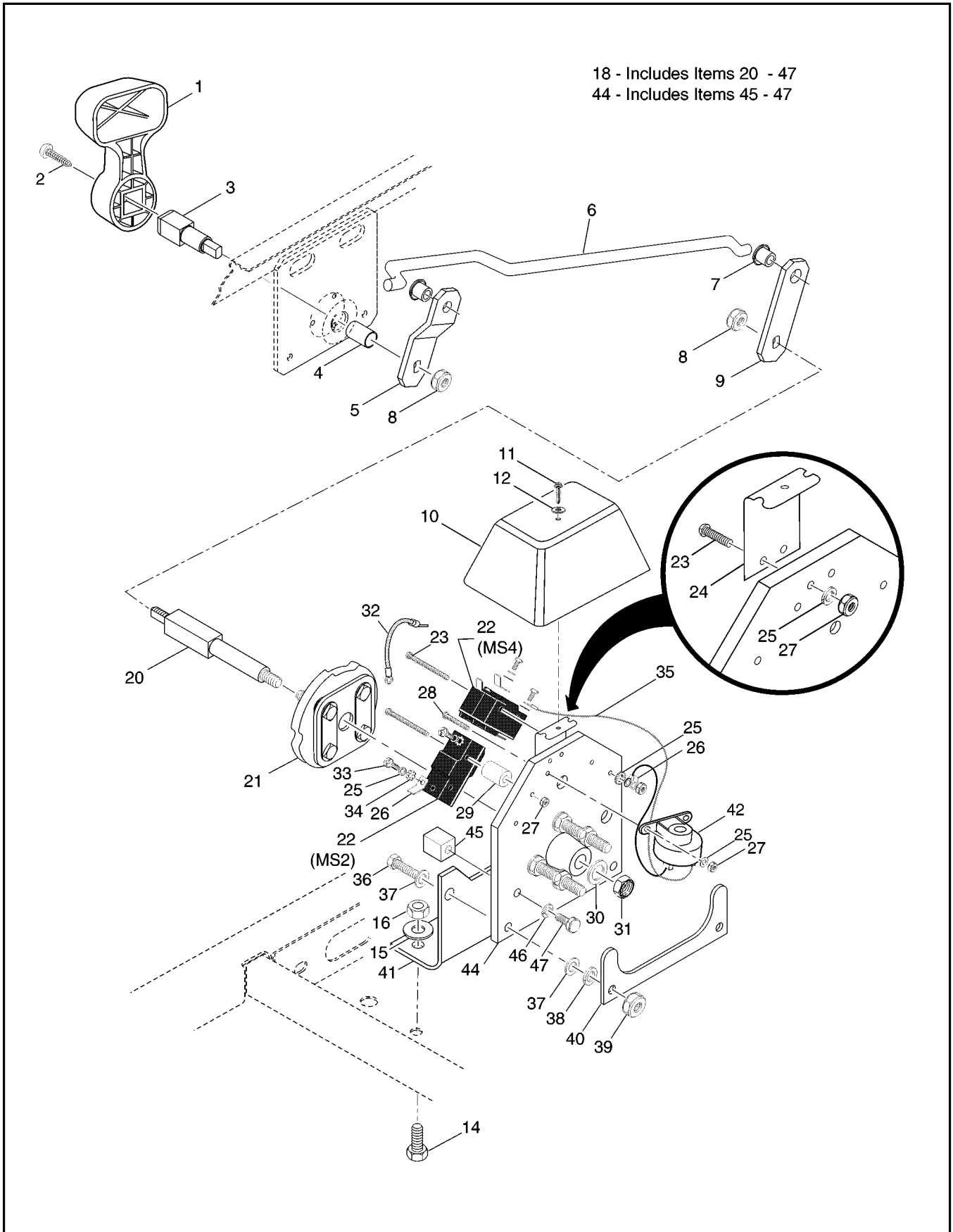
When ordering parts, please specify the model and serial number of the product.

* Indicates a component that is not available as an individual part.

G** Indicates consult Customer Service Department for additional information.

ITEM	PART NO.	1 2 3 4 5	DESCRIPTION	QTY.
88	72422-G01		BRAKE ASSEMBLY (DRIVER SIDE) (INCLUDES ITEMS 90 - 98, 100, 101)....	1
89	72422-G02		BRAKE ASSEMBLY (PASSENGER SIDE) (INCL. ITEMS 90 - 97, 99 - 101)	1
90	27945-G01		BRAKE SHOE KIT (INCLUDES ITEM 91)	2
91	*		BRAKE SHOE	2
92	27944-G01		BRAKE SPRING KIT (INCLUDES ITEMS 93 - 97)	2
93	*		UPPER SPRING	1
94	*		LOWER SPRING	1
95	*		PIN	2
96	*		CUP AND SPRING	2
97	*		ADJUSTER SPRING.....	1
98	72582-G01		BRAKE ADJUSTER KIT (DRIVER SIDE) (INCLUDES ITEMS 100 - 101)....	1
99	72582-G02		BRAKE ADJUSTER KIT (PASSENGER SIDE) (INCL. ITEMS 100 - 101)	1
100	*		ADJUSTER	1
101	*		TEFLON WASHER	2
102	17083-G2		BOLT, 5/16 - 24 X 1" LG.....	8
103	15126-G1		LOCK NUT, 5/16 - 24	8
104	15485-G1		INNER BRAKE DRUM WASHER	2
105				
106	19186-G1		BRAKE DRUM ASSEMBLY (INCLUDES ITEMS 107 - 108)	2
107	*		BRAKE DRUM.....	1
108	19862-G1		LUG BOLT, 1/2 - 20	4
109	14723-G1		LUG NUT, 1/2 - 20.....	8
110				
111	15487-G1		WASHER, 1 3/8" O.D. X 21/32"	2
112	15483-G1		SLOTTED NUT, 5/8 - 18	2
113	10387-G1		COTTER PIN, 1/8" X 1 1/2" LG.....	2
114	74175-G01		SPINDLE CAP	2
115				
116	72036-G01		BRAKE CABLE BRACKET (PASSENGER SIDE)	1
117	72036-G02		BRAKE CABLE BRACKET (DRIVER SIDE).....	1





THE USE OF NON UL PARTS WILL VOID ANY UL LISTING.

When ordering parts, please specify the model and serial number of the product.

* Indicates a component that is not available as an individual part.

G** Indicates consult Customer Service Department for additional information.

ITEM	PART NO.	1 2 3 4 5	DESCRIPTION	QTY.
1	71205-G01		DIRECTION SELECTOR HANDLE	1
2	00740-G4		SCREW, #10 - 32 X 1/2" LG. (STAINLESS STEEL)	1
3	70233-G01		DIRECTION SELECTOR SHAFT.....	1
4	25664-G2		BEARING	1
5	70334-G01		OFFSET SHIFT LINKAGE ARM	1
6	70313-G01		LINKAGE ROD.....	1
7	22754-G3		BUSHING.....	2
8	14390-G1		LOCK NUT, 3/8 - 24	2
9	70232-G03		SHIFT LINKAGE ARM	1
10	73049-G01		DIRECTION SELECTOR COVER	1
11	00114-G6		SCREW, 1/4 - 14 x 3/4" LG.	1
12	16469-G7		WASHER, 1/4" (STAINLESS STEEL)	1
13				
14	00438-G6		BOLT, 5/16 - 18 X 3/4" LG.....	2
15	00571-G2		WASHER, 5/16"	2
16	11098-G6		LOCK NUT, 5/16 - 18	2
17				
18	70578-G01		DIRECTION SELECTOR ASSEMBLY (INCLUDES ITEMS 20 - 47)	1
19				
20	73027-G01		DIRECTION SELECTOR SHAFT	1
21	12835-G1		CAM.....	1
22	10606-G2		MICRO SWITCH, MS2 AND MS4	2
23	00139-G8		SCREW, #6 - 32 X 2" LG.....	4
24	73048-G01		COVER BRACKET	1
25	00565-G3		LOCK WASHER, #6	8
26	14628-G1		FASTON TAB, 5/16" X 5/16".....	4
27	00525-G5		NUT, #6 - 32.....	8
28	00138-G6		SCREW, #6 - 32 X 3/4" LG.....	3
29	12806-G1		SPACER	4
30	00560-G1		WASHER, 3/8"	1

DIRECTION SELECTOR

Electric Vehicle

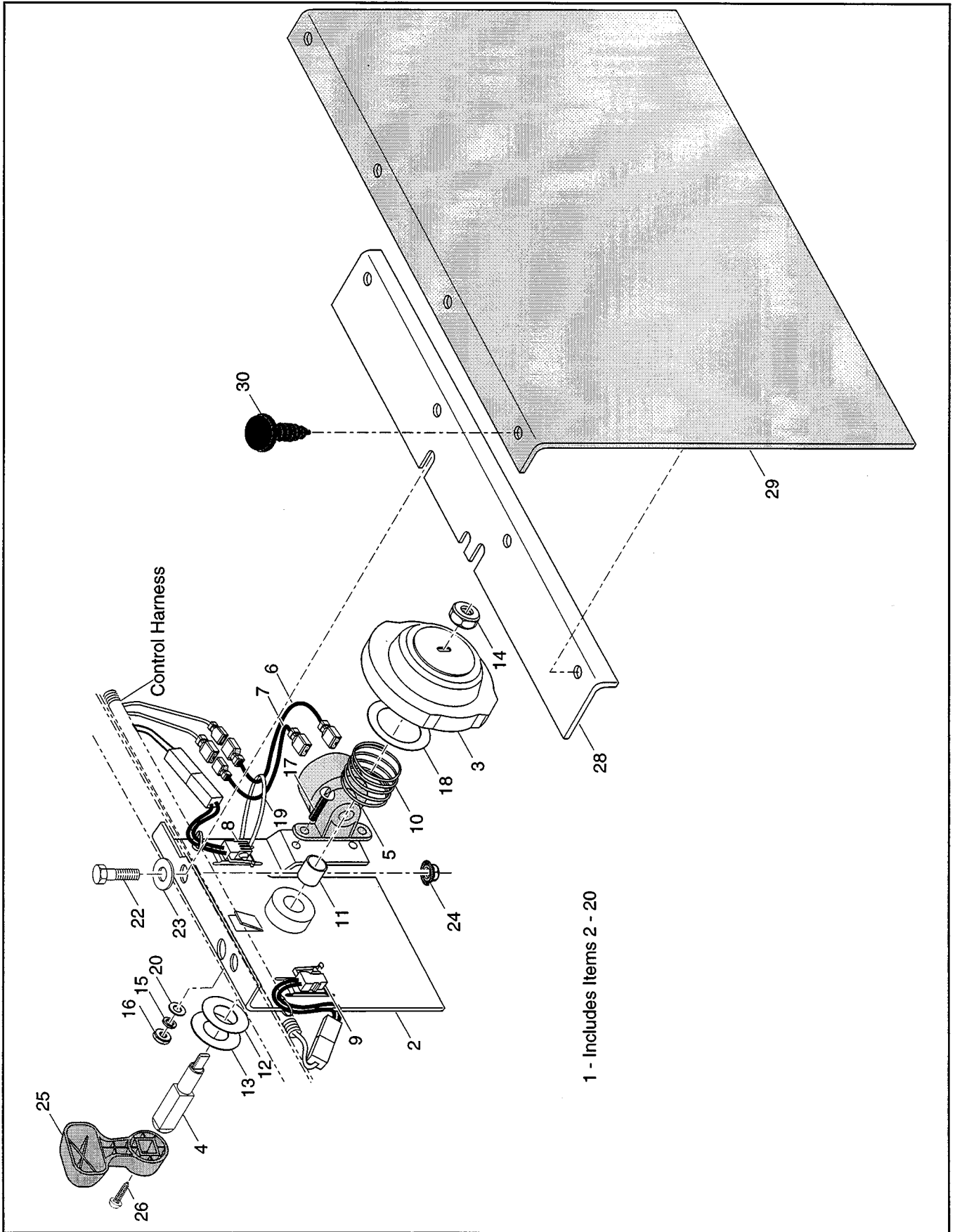
THE USE OF NON UL PARTS WILL VOID ANY UL LISTING.

When ordering parts, please specify the model and serial number of the product.

* Indicates a component that is not available as an individual part.

G** Indicates consult Customer Service Department for additional information.

ITEM	PART NO.	1	2	3	4	5	DESCRIPTION	QTY.
31	14390-G1						LOCK NUT, 3/8 - 24	2
32	25978-G37						18 GA WIRE (RED 6")	1
33	*						SCREW.....	4
34	00567-G3						LOCK WASHER, #6	4
35	25978-G256						18 GA WIRE (RED)	1
36	00414-G8						BOLT, 1/4 - 20 X 1" LG.....	2
37	00559-G7						WASHER, 1/4"	4
38	00565-G7						LOCK WASHER, 1/4"	2
39	00532-G1						NUT, 1/4 - 20.....	2
40	15461-G1						SUPPORT BRACKET.....	1
41	73031-G01						DIRECTION SELECTOR MOUNTING BRACKET	1
42	73290-G02						REVERSE WARNING BUZZER	1
43								
44	14651-G1						CONTACT BOARD ASSEMBLY (INCLUDES ITEMS 45 - 47)	1
45	24940-G1						STOP	2
46	00565-G7						LOCK WASHER, 1/4"	2
47	00414-G6						BOLT, 1/4 - 20 X 3/4" LG.	2



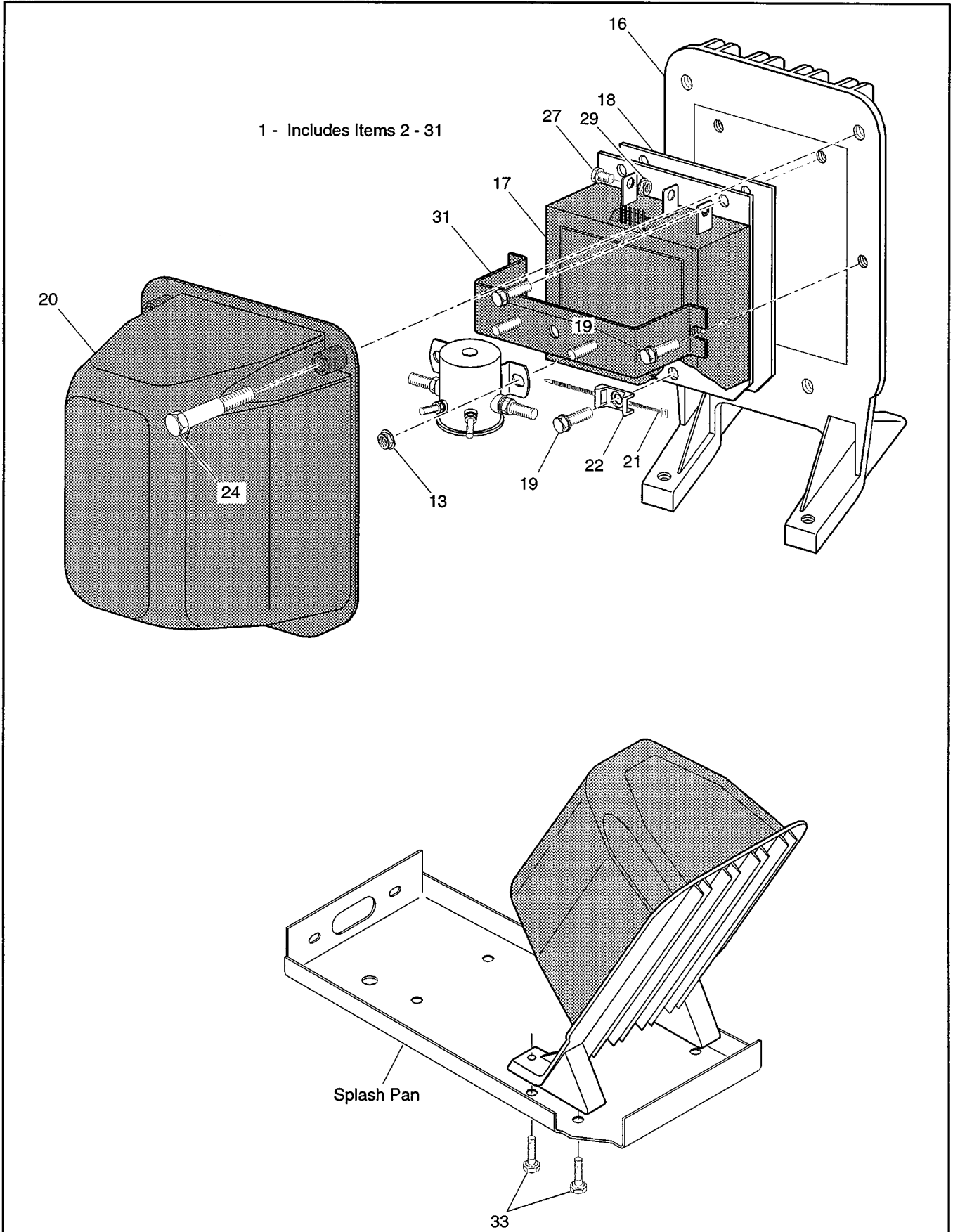
THE USE OF NON UL PARTS WILL VOID ANY UL LISTING.

When ordering parts, please specify the model and serial number of the product.

* Indicates a component that is not available as an individual part.

G** Indicates consult Customer Service Department for additional information.

ITEM	PART NO.	1	2	3	4	5	DESCRIPTION	QTY.
1	73180-G01						DIRECTION SELECTOR ASSEMBLY (INCLUDES ITEMS 2 - 20)	
2	73179-G01						BRACKET	1
3	73167-G01						CAM.....	1
4	73171-G01						DIRECTION SELECTOR SHAFT	1
5	73180-G02						REVERSE WARNING BUZZER (CONTINUOUS TONE).....	1
6	25978-G287						18 GA WIRE (BLACK 6").....	1
7	25978-G286						18 GA WIRE (RED 6").....	1
8	73195-G01						MICRO SWITCH.....	1
9	73194-G01						MICRO SWITCH.....	1
10	73188-G01						COMPRESSION SPRING	1
11	25664-G1						BUSHING	1
12	00771-G4						NYLON WASHER, 1/2"	1
13	73181-G01						WASHER, 1/2"	1
14	14390-G1						LOCK NUT, 3/8-24.....	1
15	00565-G3						LOCK WASHER, #6	2
16	00525-G5						NUT, #6.....	2
17	00138-G5						SCREW, #6 - 32 X 5/8" LG.	2
18	73182-G01						NYLON WASHER, 1 3/8".....	1
19	17618-G1						WIRE TIE	3
20	00559-G3						WASHER, #6	2
21								
22	70227-G01						BOLT, 1/4 - 20 X 7/8" LG.	2
23	00559-G7						WASHER, 1/4"	2
24	11027-G2						LOCK NUT, 1/4 - 20	2
25	71905-G01						DIRECTION SELECTOR HANDLE.....	1
26	00740-G4						SCREW (STAINLESS STEEL) #10 - 32 X 1/2" LG.	1
27								
28	73301-G01						DIRECTION SELECTOR COVER BRACKET	1
29	73300-G01						DIRECTION SELECTOR COVER.....	1
30	16816-G1						RATCHET FASTENER.....	4



ELECTRONIC SPEED CONTROL**Electric Vehicle**

THE USE OF NON UL PARTS WILL VOID ANY UL LISTING.

When ordering parts, please specify the model and serial number of the product.

* Indicates a component that is not available as an individual part.

G** Indicates consult Customer Service Department for additional information.

ITEM	PART NO.	1	2	3	4	5	DESCRIPTION	QTY.
1	73056-G04	ELECTRONIC SPEED CONTROL ASSEMBLY (INCLUDES ITEMS 2 - 31)					1	
2	*	LOCK WASHER, #10.....					2	
3	*	NUT, 10 - 32.....					2	
4								
5	30353-G1	DIODE, 3 AMP.....					1	
6	21764-G1	RESISTOR.....					1	
7	73103-G02	WIRE HARNESS (CONTROL)					1	
8	*	NUT, 5/16 - 24.....					2	
9								
10	*	LOCK WASHER, 5/16"					2	
11	25972-G02	WIRE (SOL - B+)					1	
12	25978-G10	WIRE (SOL - B-)					1	
13	11027-G2	NUT, 1/4 - 20.....					2	
14								
15	27855-G01	SOLENOID, 36 VOLT					1	
16	73077-G01	HEATSINK					1	
17	25864-G01	ELECTRONIC SPEED CONTROLLER					1	
18	73190-G01	THERMAL MOUNTING PAD					1	
19	71102-G01	BOLT, 1/4 - 20 X 3/4" LG.....					2	
20	73028-G01	COVER					1	
21	31539-G1	WIRE TIE					1	
22	73053-G01	MOUNT.....					1	
23								
24	71102-G03	BOLT, 1/4 - 20 X 1 1/4" LG.....					3	
25	73039-G02	WIRE HARNESS (POWER)					1	
26								
27	00270-G5	BOLT, 5/16 - 18 X 5/8" LG.....					4	
28								
29	11027-G1	NUT, 5/16 - 18.....					4	
30								

THE USE OF NON UL PARTS WILL VOID ANY UL LISTING.

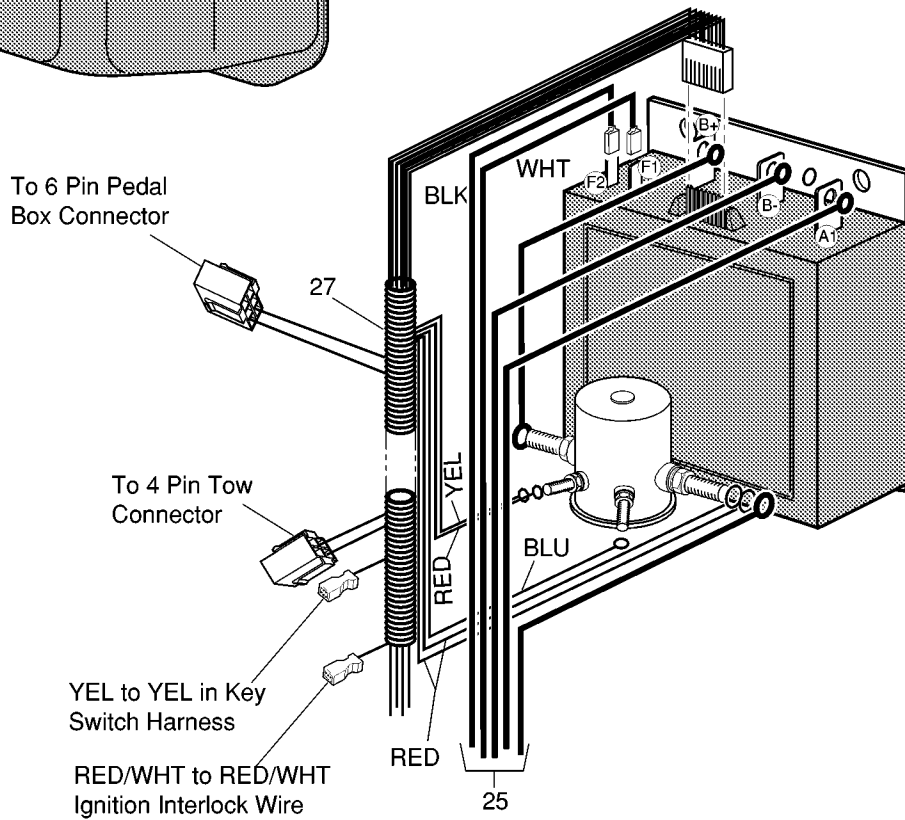
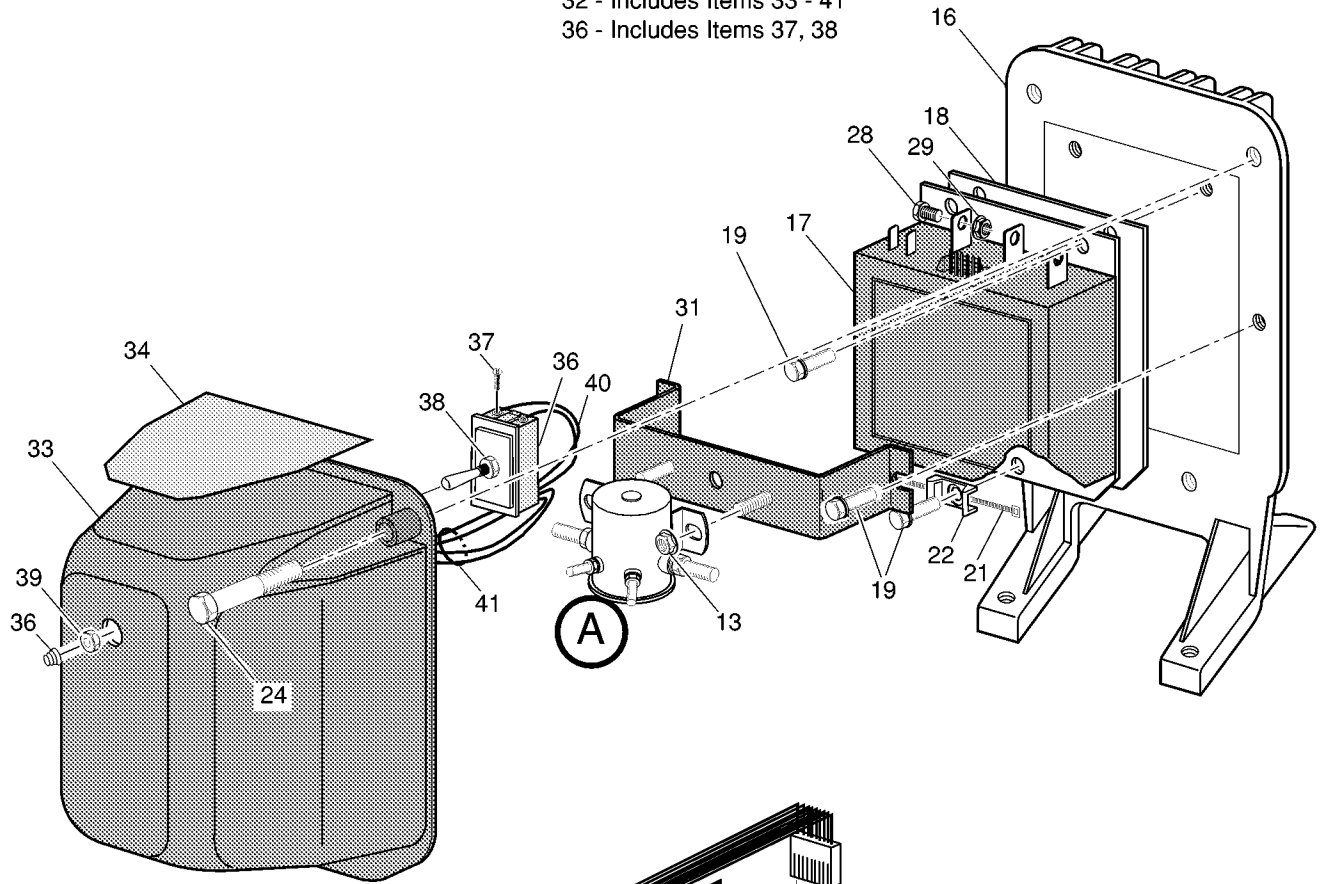
When ordering parts, please specify the model and serial number of the product.

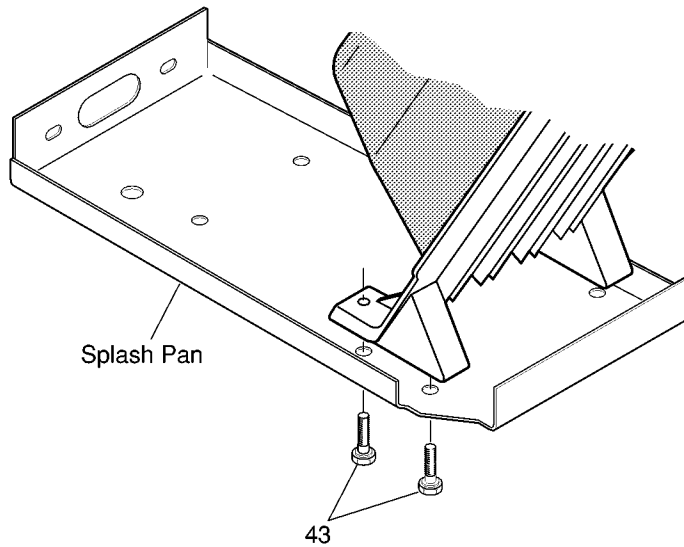
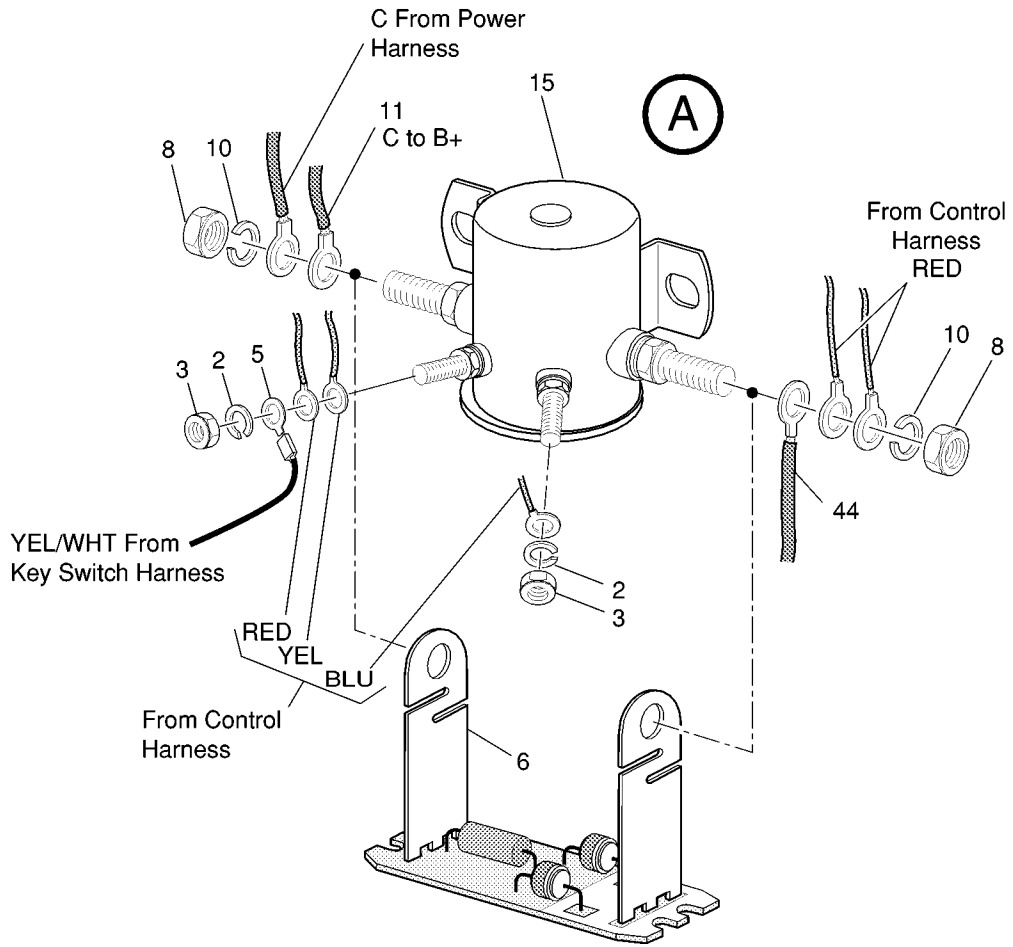
* Indicates a component that is not available as an individual part.

G** Indicates consult Customer Service Department for additional information.

ITEM	PART NO.	1	2	3	4	5	DESCRIPTION	QTY.
31	25866-G01						SOLENOID BRACKET	1
32								
33	71102-G01						BOLT, 1/4 - 20 X 3/4" LG.	4

- 1 - Includes Items 2 - 41
- 32 - Includes Items 33 - 41
- 36 - Includes Items 37, 38





THE USE OF NON UL PARTS WILL VOID ANY UL LISTING.

When ordering parts, please specify the model and serial number of the product.

* Indicates a component that is not available as an individual part.

G** Indicates consult Customer Service Department for additional information.

ITEM	PART NO.	1 2 3 4 5	DESCRIPTION	QTY.
1	73198-G01		SPEED CONTROL ASSEMBLY (INCLUDES ITEMS 2 - 41).....	1
2	*		LOCK WASHER, #10	2
3	*		NUT, 10 - 32.....	2
4				
5	12914-G1		FASTON TAB.....	1
6	28336-G01		RESISTOR.....	1
7				
8	*		NUT, 5/16 - 24.....	2
9				
10	*		LOCK WASHER, 5/16"	2
11	25972-G56		6 GA WIRE (BLACK 6", C - B+).....	1
12				
13	11027-G2		LOCK NUT, 1/4 - 20	2
14				
15	27855-G01		SOLENOID	1
16	73083-G01		HEATSINK	1
17	73144-G06		SPEED CONTROLLER	1
18	73190-G01		THERMAL MOUNTING PAD	1
19	71102-G01		BOLT, 1/4 - 20 X 3/4" LG.....	5
20				
21	31539-G1		WIRE TIE	1
22	73053-G01		MOUNT.....	1
23				
24	71102-G03		BOLT, 1/4 - 20 X 1 1/4" LG.....	3
25	73152-G01		WIRE HARNESS (POWER)	1
26				
27	73191-G01		WIRE HARNESS (CONTROL)	1
28	00270-G5		BOLT, 5/16 - 18 X 5/8" LG.....	3
29	11027-G1		LOCK NUT, 5/16 - 18.....	3
30				

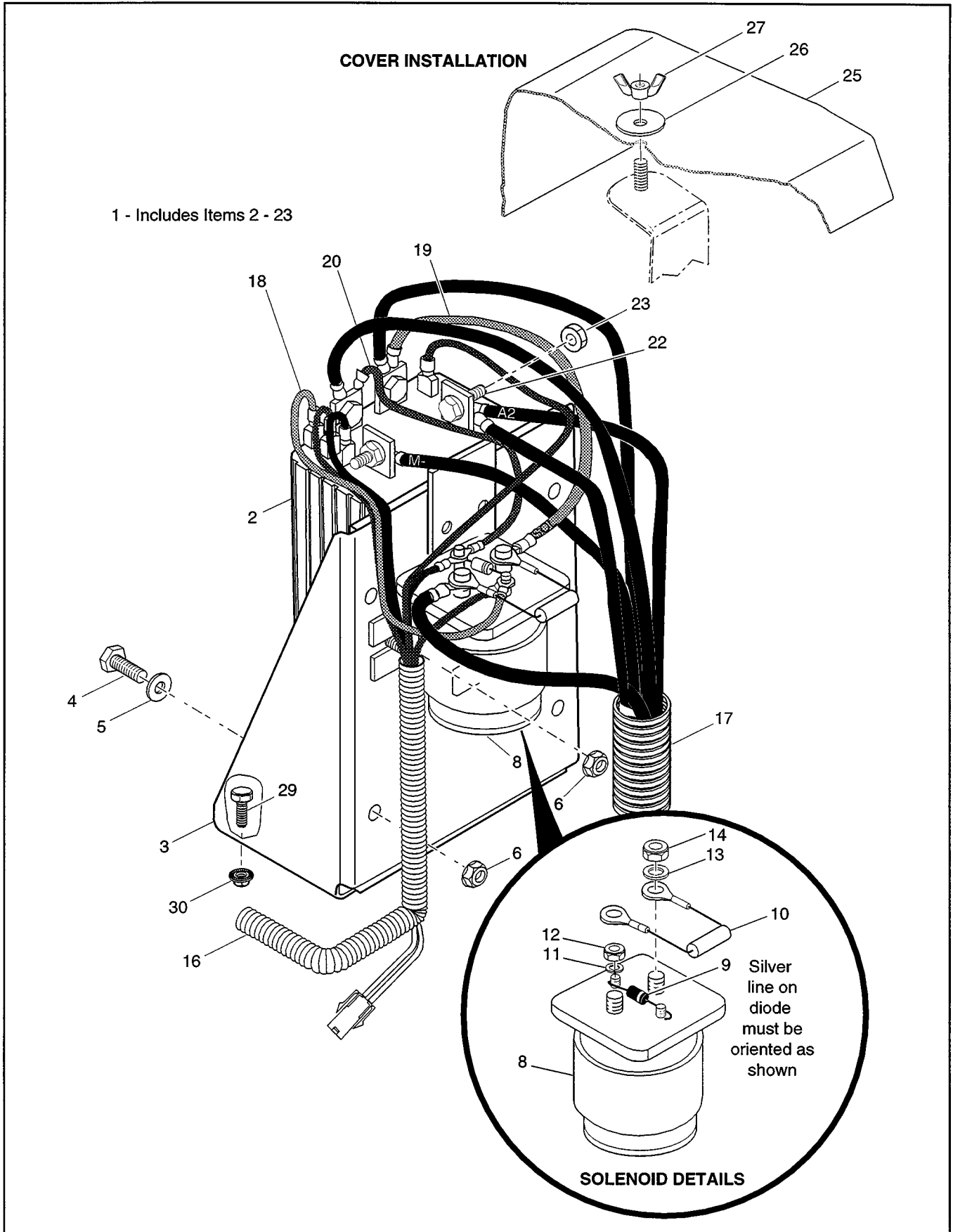
THE USE OF NON UL PARTS WILL VOID ANY UL LISTING.

When ordering parts, please specify the model and serial number of the product.

* Indicates a component that is not available as an individual part.

G** Indicates consult Customer Service Department for additional information.

ITEM	PART NO.	1	2	3	4	5	DESCRIPTION	QTY.
31	25866-G01						SOLENOID BRACKET	1
32	73137-G01						COVER ASSEMBLY (INCLUDES ITEMS 33 - 41)	1
33	73028-G02						COVER (WITH GASKET)	1
34	73132-G01						LABEL (TOW SWITCH)	1
35								
36	73125-G01						TOGGLE SWITCH WITH SEAL (INCLUDES ITEMS 37, 38)	1
37	*						SCREW, #5 - 40	4
38	*						NUT, 15/32 - 32.....	4
39	73139-G01						SEAL NUT.....	1
40	73138-G01						WIRE HARNESS (TOW SWITCH).....	1
41	17618-G1						WIRE TIE	1
42								
43	71102-G01						BOLT, 1/4 - 20 X 3/4" LG.....	4
44	25972-G22						6 GA WIRE (BLACK 27", BL+ TO SOL).....	1



THE USE OF NON UL PARTS WILL VOID ANY UL LISTING.

When ordering parts, please specify the model and serial number of the product.

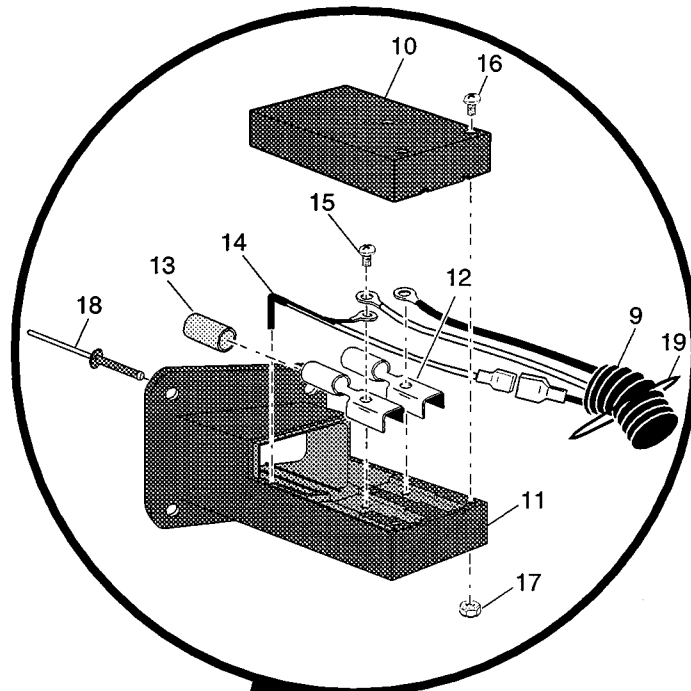
* Indicates a component that is not available as an individual part.

G** Indicates consult Customer Service Department for additional information.

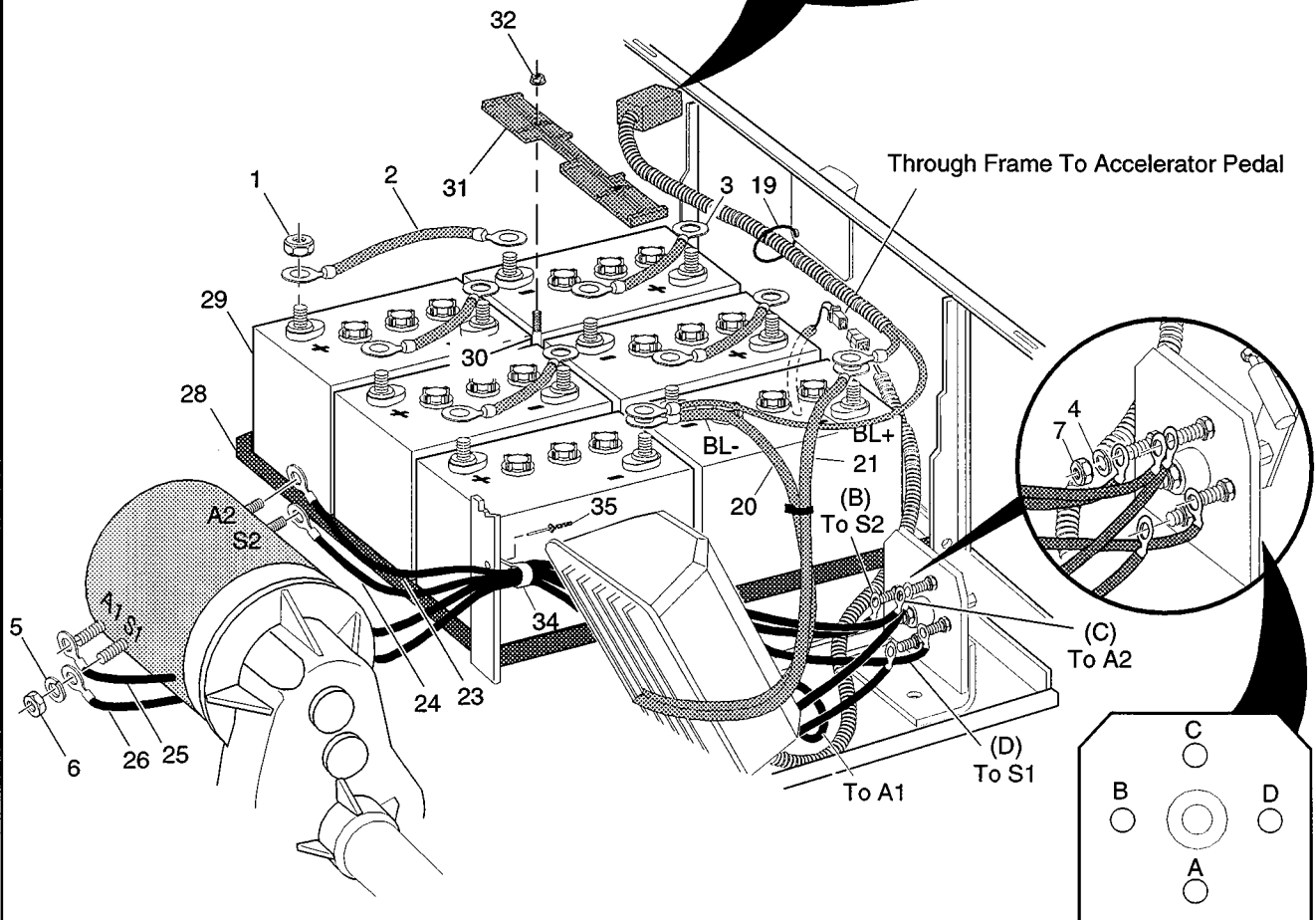
ITEM	PART NO.	1 2 3 4 5	DESCRIPTION	QTY.
1	73055-G02		ELECTRONIC SPEED CONTROL ASSEMBLY (INCLUDES ITEMS 2 - 23).....	1
2	73060-G01		ELECTRONIC SPEED CONTROLLER.....	1
3	74014-G01		CONTROLLER MOUNT	1
4	00414-G5		BOLT, 1/4 - 20 X 5/8" LG.	4
5	00559-G7		WASHER, 1/4".....	2
6	11027-G2		LOCK NUT, 1/4 - 20.....	6
7				
8	20468-G1		SOLENOID	1
9	30353-G1		DIODE	1
10	21764-G1		RESISTOR	1
11	*		LOCK WASHER, #10	2
12	*		NUT, #10 - 32.....	2
13	*		WASHER, 5/16"	2
14	*		NUT, 5/16 - 24.....	2
15				
16	73095-G02		WIRE HARNESS (CONTROL)	1
17	28325-G01		WIRE HARNESS (POWER)	1
18	25978-G88		18 GAUGE WIRE (RED 9")	1
19	25972-G02		6 GAUGE WIRE (BLK 6", SOL - B+)	1
20	25978-G10		18 GAUGE WIRE(BLK 6", SOL - B-)	1
21				
22	00270-G5		BOLT, 5/16 - 18 X 5/8" LG.	4
23	11027-G1		LOCK NUT, 5/16 - 18.....	4
24				
25	23723-G2		COVER.....	1
26	16469-G1		WASHER, 1/4"	1
27	14419-G1		WING NUT, 1/4 - 20	1
28				
29	00414-G5		BOLT, 1/4 - 20 X 5/8" LG.	4
30	11027-G2		NUT, 1/4 - 20	4



8 - Includes Items 10-18

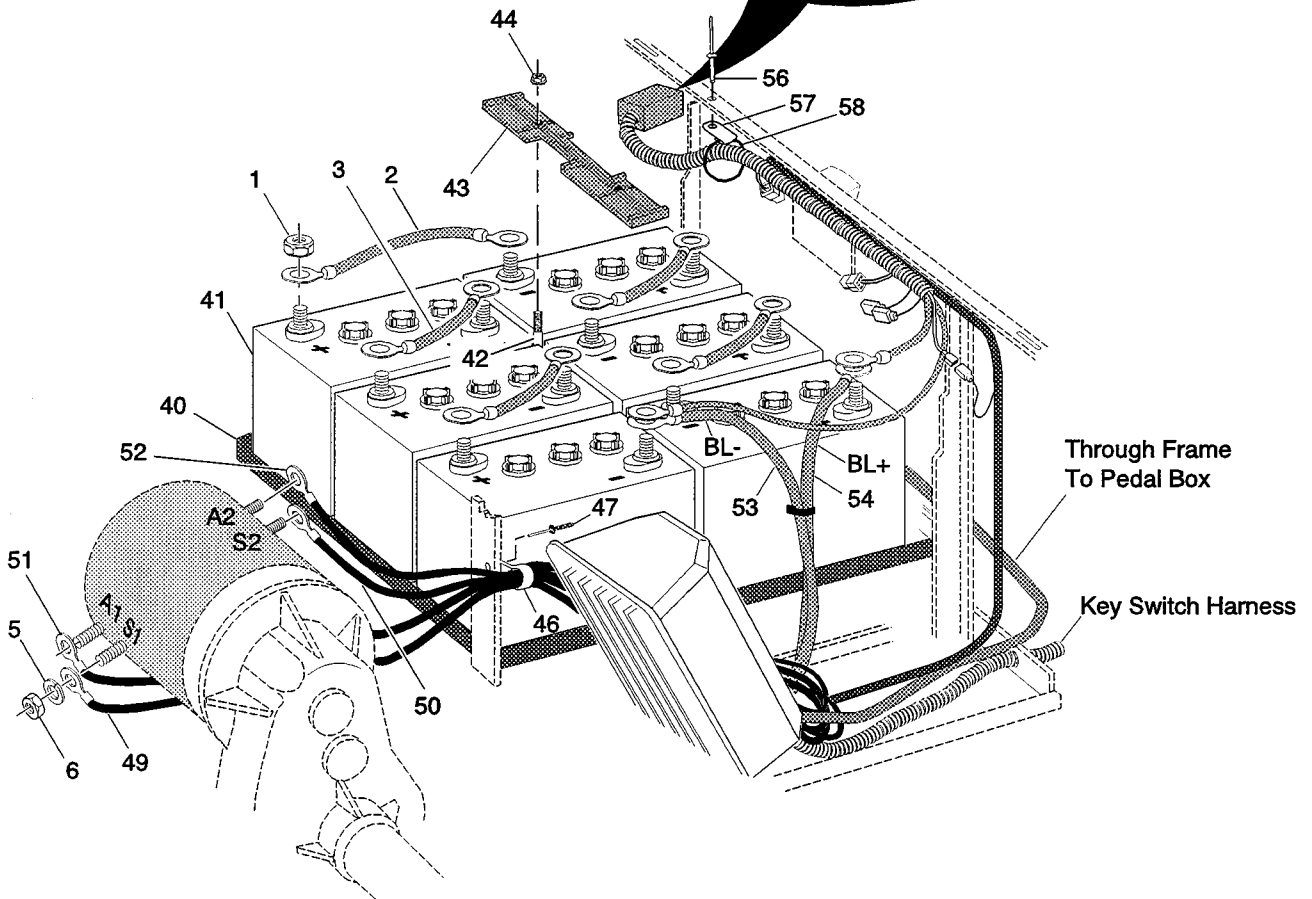
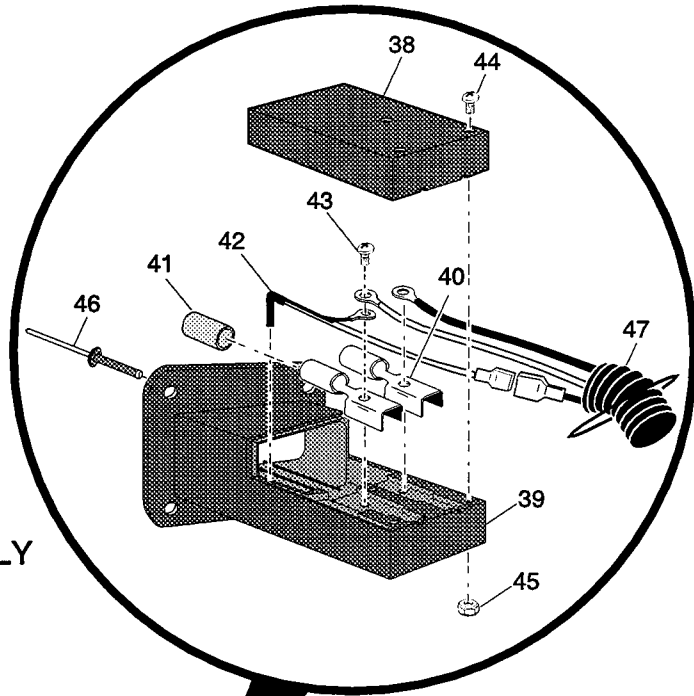


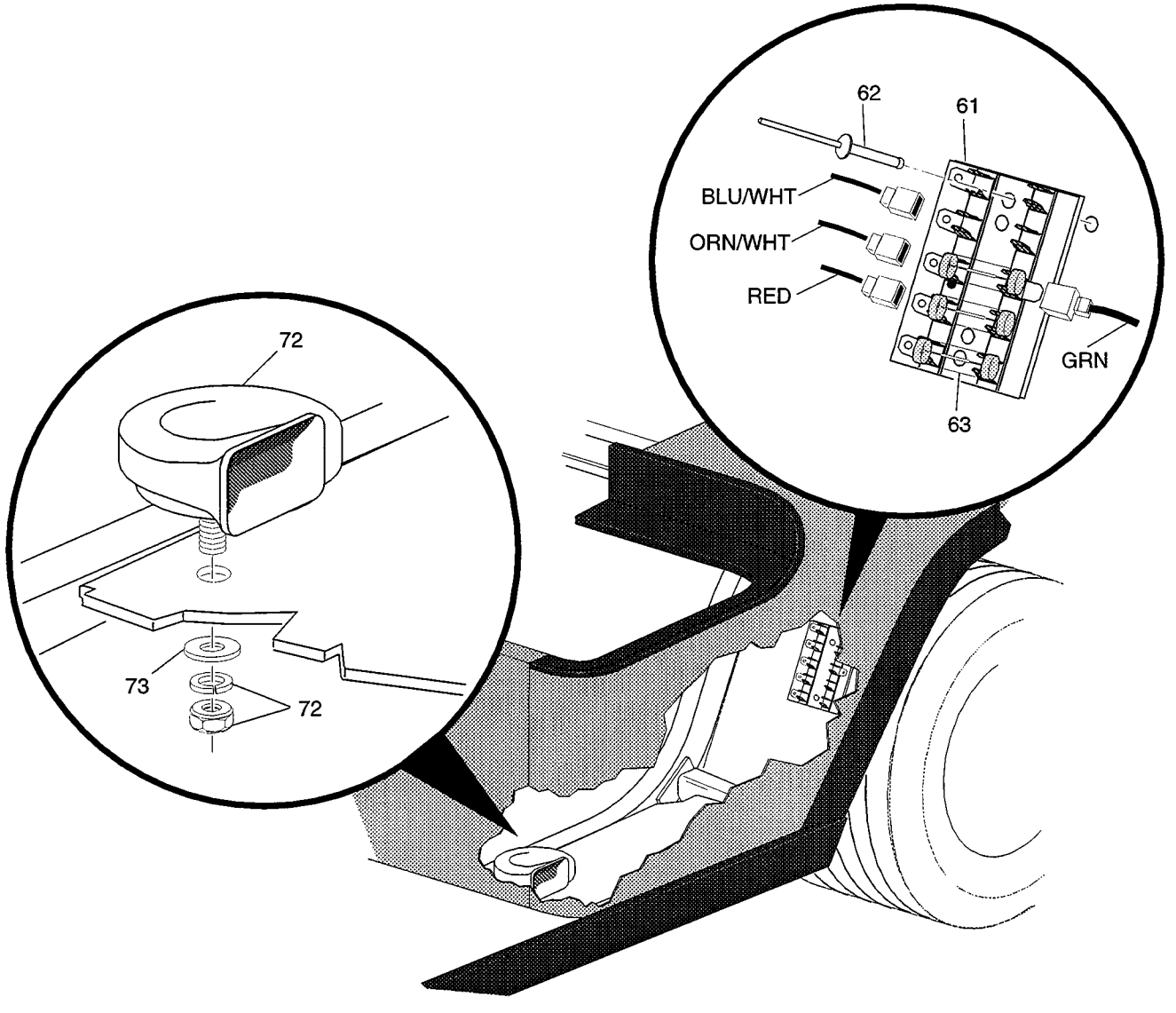
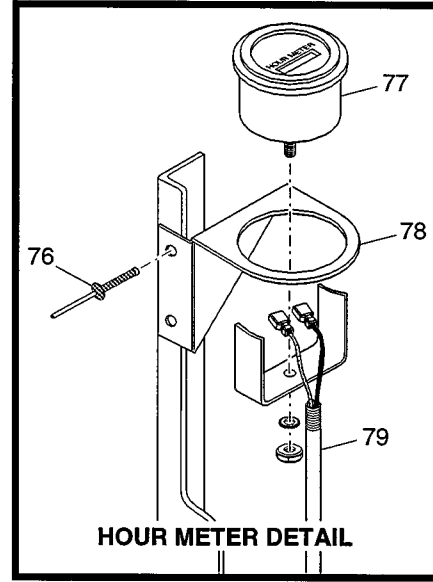
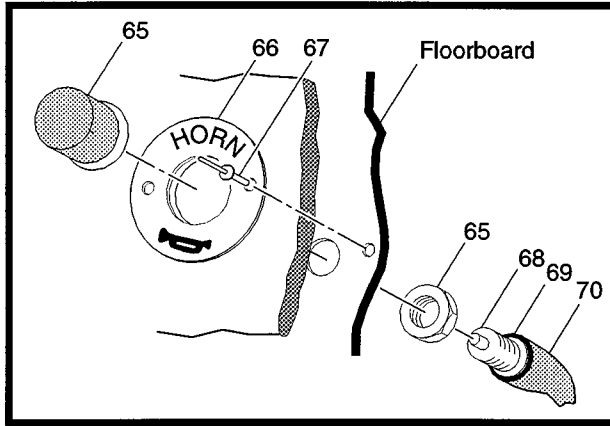
NON-DCS VEHICLE

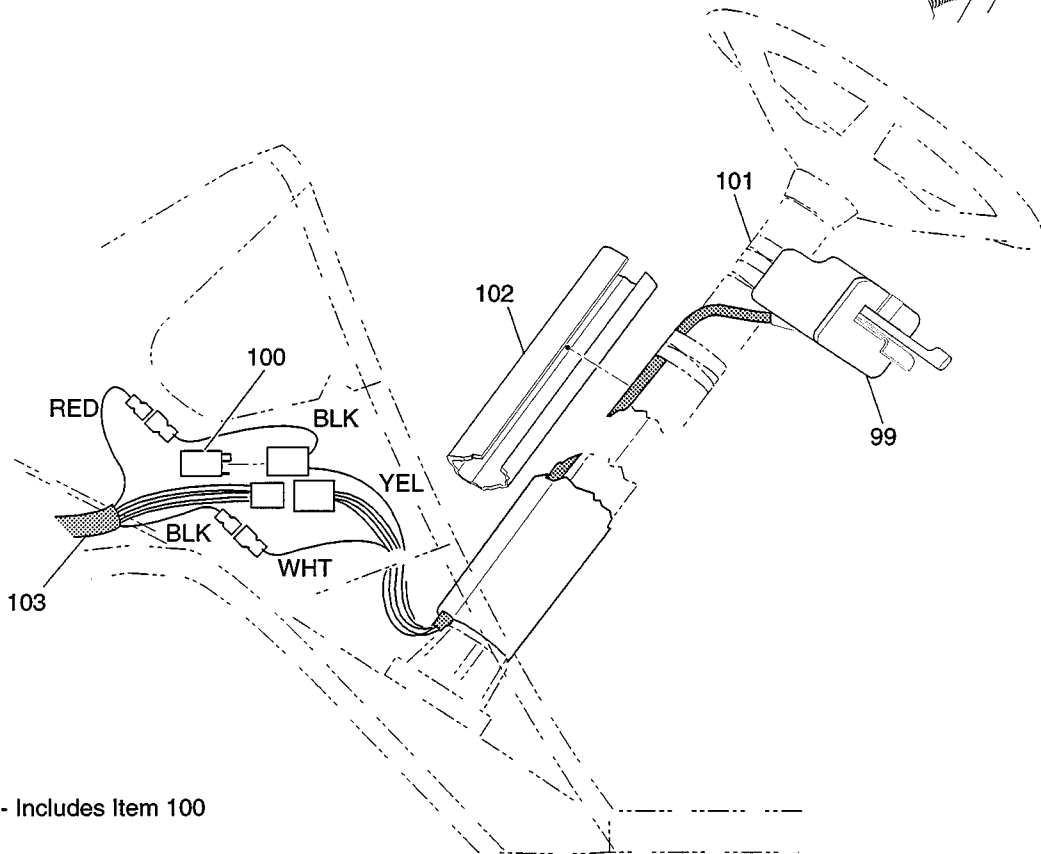
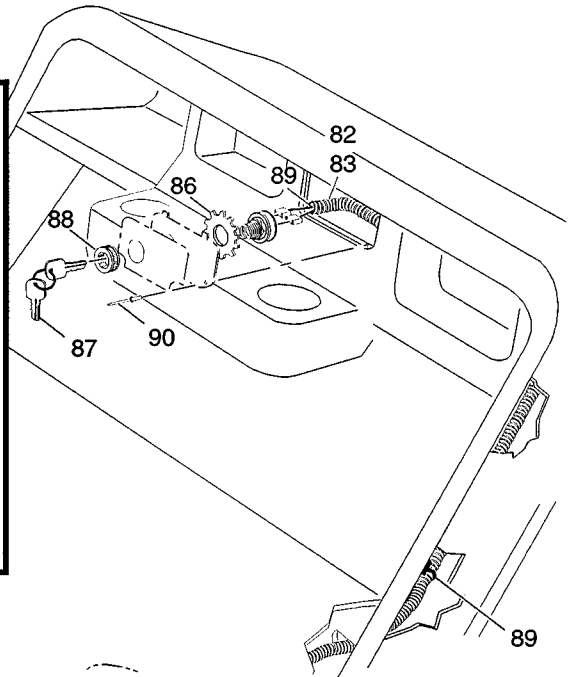
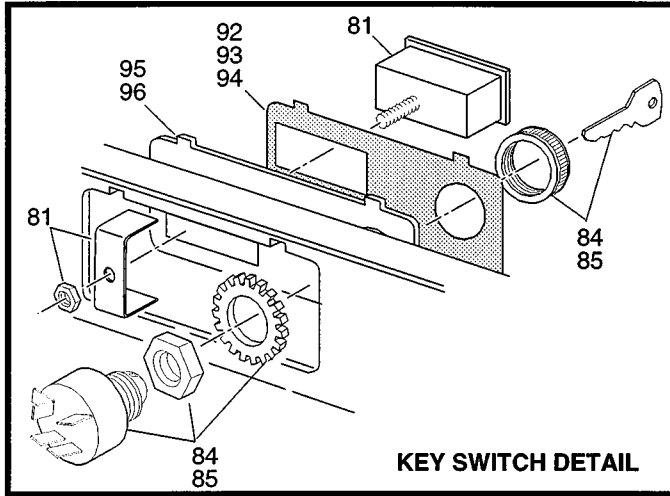


37 - Includes Items 38 - 47

DCS VEHICLES ONLY

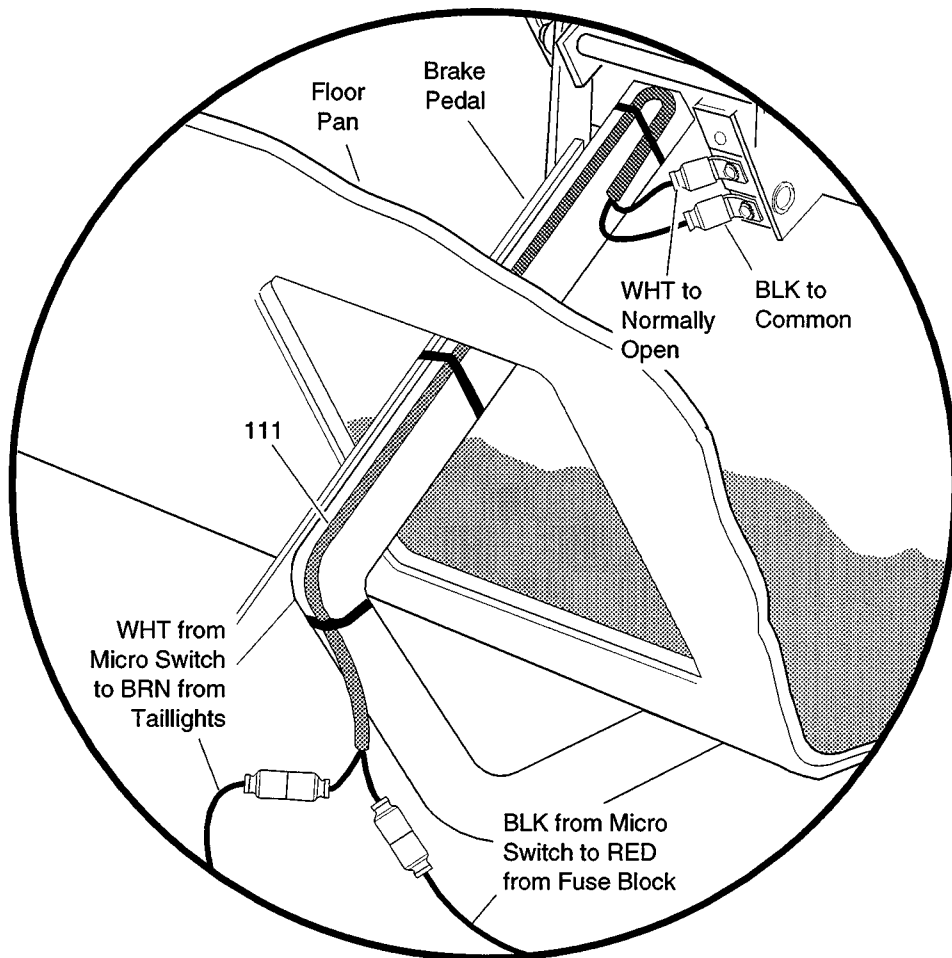
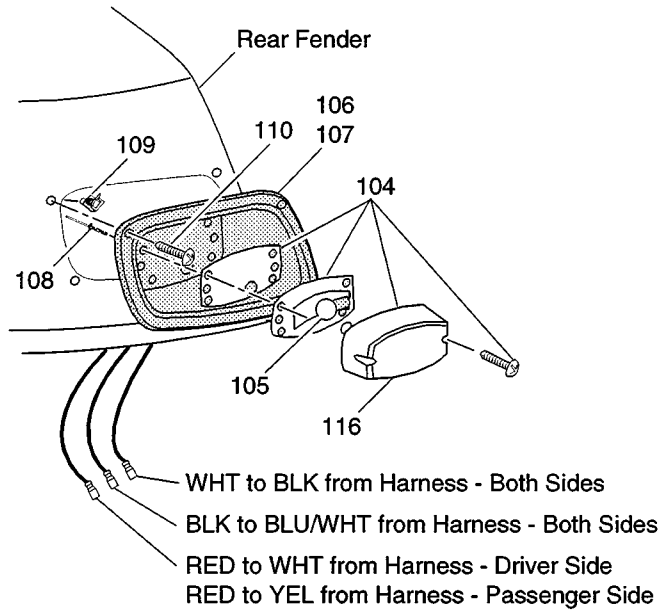




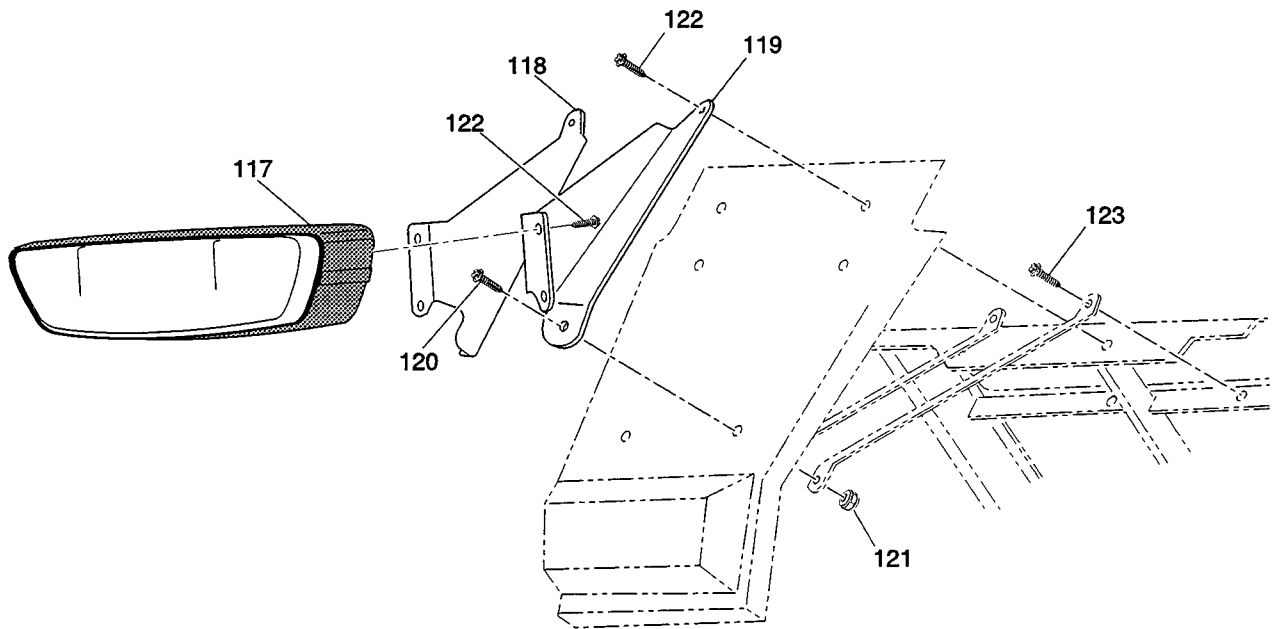
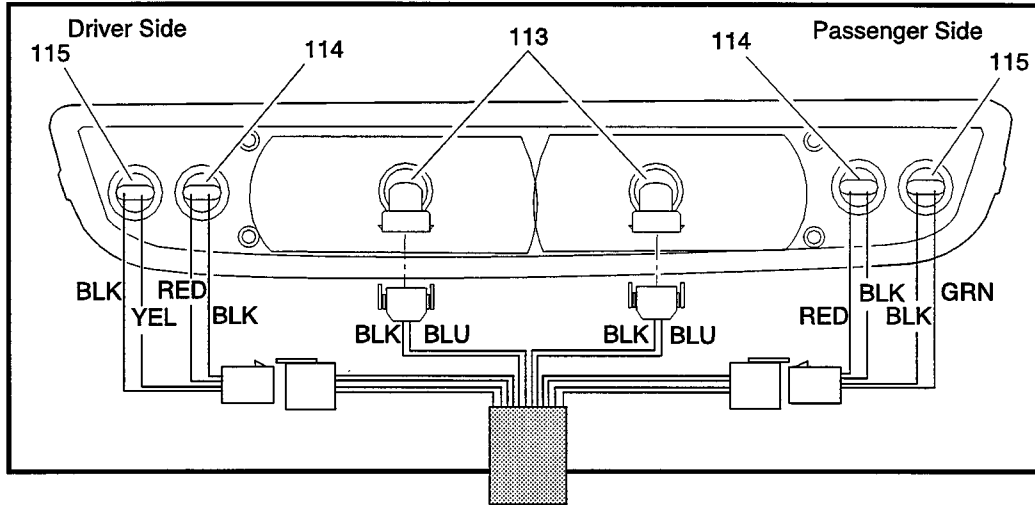


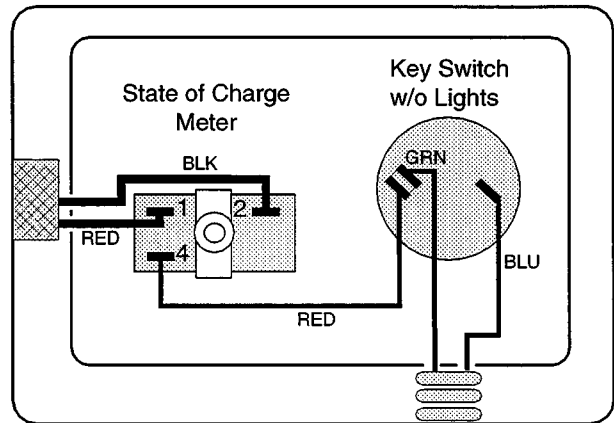
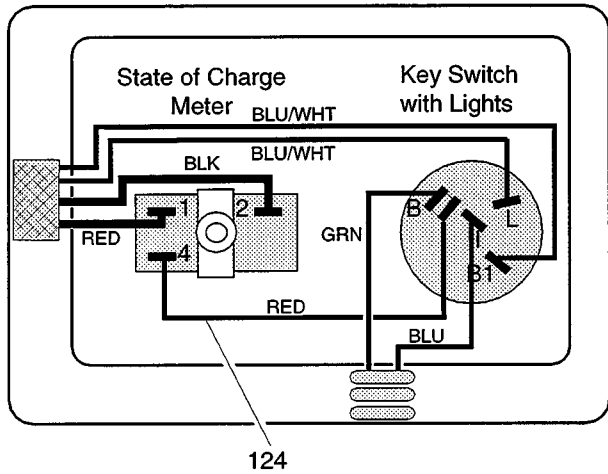
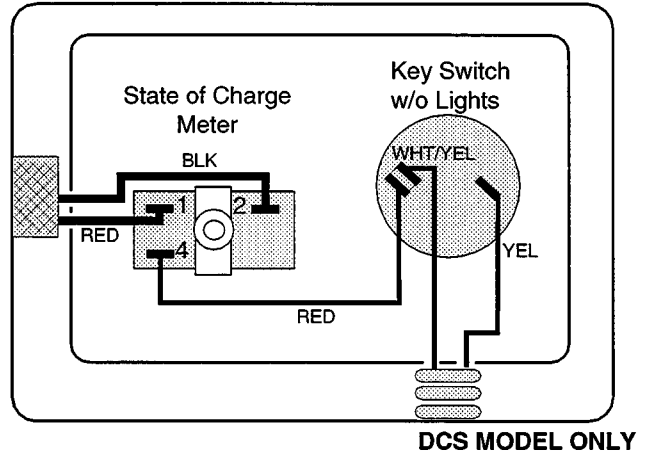
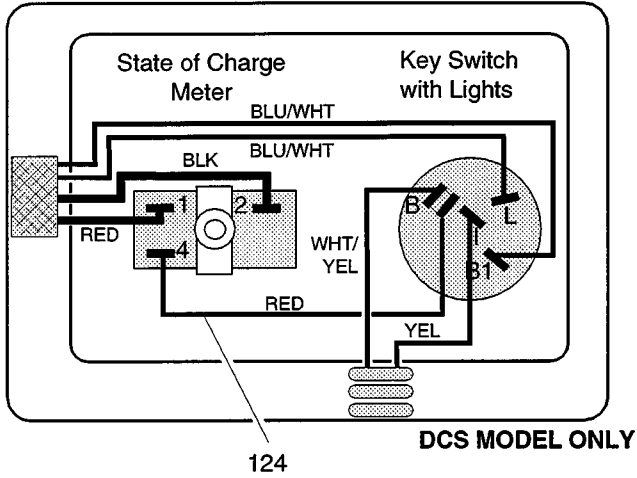
99 - Includes Item 100

TURN SIGNAL INSTALLATION



BRAKE LIGHTS MICRO SWITCH CONNECTIONS





THE USE OF NON UL PARTS WILL VOID ANY UL LISTING.

When ordering parts, please specify the model and serial number of the product.

* Indicates a component that is not available as an individual part.

G** Indicates consult Customer Service Department for additional information.

ITEM	PART NO.	1 2 3 4 5	DESCRIPTION	QTY.
1	00702-G2		NUT, 5/16 - 18	12
2	25972-G32		6 GA WIRE (BATTERY INTERCONNECT, BLACK, 10 1/2")	1
3	25972-G40		6 GA WIRE (BATTERY INTERCONNECT, 6")	4
4	00565-G8		LOCK WASHER, 5/16"	4
5	00993-G01		LOCK WASHER, SILICON BRONZE, 5/16"	4
6	28418-G01		NUT, BRONZE, 5/16 - 18	4
7	00532-G3		NUT, 5/16 - 18	4
8	73063-G01		CHARGER RECEPTACLE ASSEMBLY (FOR USE ON NON-DCS MODELS ONLY)	1
9	*		WIRE HARNESS (CHARGER).....	1
10	*		RECEPTACLE COVER.....	1
11	*		RECEPTACLE BOTTOM	1
12	73051-G05		FEMALE RADSOK	2
13	73051-G06		INSULATOR SLEEVE.....	1
14	73051-G07		REED SWITCH.....	1
15	73051-G08		SCREW, #10 - 32 X 1/2" LG (BRASS)	2
16	73051-G09		SCREW, #6 - 32 X 1 3/4" LG (STAINLESS STEEL).....	3
17	73051-G10		LOCK NUT, #6 - 32.....	3
18	14601-G10		RIVET, 5/32" X 7/16" LG.....	4
19	17618-G1		WIRE TIE	3
20	25972-G79		6 GA WIRE (BLACK, 36", BL- TO B-)	1
21	25972-G79		6 GA WIRE (BLACK, 27", BL+ TO SOL)	1
22				
23	25972-G60		MOTOR WIRE (43", C-A2).....	1
24	25972-G37		MOTOR WIRE (40 1/2", B-S2)	1
25	25972-G59		MOTOR WIRE (54 1/2", M- TO A1).....	1
26	25972-G38		MOTOR WIRE (45", D-S1).....	1
27				
28	70046-G01		BATTERY RACK	1
29	XXXXX-G**		BATTERY (6 VOLT)	6



THE USE OF NON UL PARTS WILL VOID ANY UL LISTING.

When ordering parts, please specify the model and serial number of the product.

* Indicates a component that is not available as an individual part.

G** Indicates consult Customer Service Department for additional information.

ITEM	PART NO.	1 2 3 4 5	DESCRIPTION	QTY.
30	70121-G01		HOLD DOWN BOLT	2
31	70045-G01		BATTERY RETAINER.....	1
32	11027-G1		LOCK NUT, 5/16 - 18	2
33				
34	27327-G01		CLAMP	2
35	10570-G11		RIVET, 3/16" X 3/4" LG.....	1
36				
37	73149-G01		CHARGER RECEPTACLE ASSEMBLY (FOR USE ON DCS MODELS ONLY).....	1
38	*		RECEPTACLE COVER.....	1
39	*		RECEPTACLE BOTTOM	1
40	73051-G05		FEMALE RADSOK	2
41	73051-G06		INSULATOR SLEEVE.....	1
42	73051-G18		REED SWITCH.....	1
43	73051-G08		SCREW, 10 - 32 X 1/2" LG.	2
44	73051-G09		SCREW, 6 - 32 X 1 3/4" LG (STAINLESS STEEL)	3
45	73051-G10		LOCK NUT, #6-32	3
46	14601-G10		RIVET, 5/32" X 7/16" LG	4
47	*		WIRE HARNESS (CHARGER).....	1
48				
49	25974-G14		10 GA WIRE (WHITE 55 3/4", S1 - F1).....	1
50	25974-G13		10 GA WIRE (BLACK 58", S2 - F2).....	1
51	25972-G57		6 GA WIRE (BLACK 54 1/2", A1 - A1).....	1
52	25972-G55		6 GA WIRE (BLACK 50", A2 - C)	1
53	25972-G79		6 GA WIRE (BLACK 36", BL- TO B-).....	1
54	25972-G22		6 GA WIRE (BLACK 27", BL+ - SOL).....	1
55				
56	10570-G10		RIVET, 5/32 X 9/16" LG STAINLESS STEEL	2
57	73193-G01		CLAMP	2
58	17618-G1		WIRE TIE.....	10

THE USE OF NON UL PARTS WILL VOID ANY UL LISTING.

When ordering parts, please specify the model and serial number of the product.

* Indicates a component that is not available as an individual part.

G** Indicates consult Customer Service Department for additional information.

ITEM	PART NO.	1 2 3 4 5	DESCRIPTION	QTY.
59				
60				
61	22674-G1		FUSE BLOCK	1
62	71010-G01		RIVET, 5/32" X 3/8" LG.	2
63	18392-G1		15 AMP FUSE.....	3
64				
65	17318-G2		HORN SWITCH CAP AND NUT	1
66	19233-G1		HORN SWITCH PLATE	1
67	14601-G7		RIVET, 9/16" X 11/16" (STAINLESS STEEL).	2
68	17318-G1		HORN SWITCH	1
69	17618-G1		WIRE TIE	2
70	27068-G01		HORN SWITCH BOOT	1
71				
72	32860-G1		HORN (WITH MOUNTING HARDWARE).....	1
73	00559-G8		WASHER, 5/16"	1
74				
75				
76	10570-G11		RIVET, 3/16" X 3/4" LG.	2
77	21573-G1		HOUR METER	1
78	74019-G01		HOUR METER BRACKET	1
79	75117-G02		WIRE HARNESS (HOUR METER).....	1
80				
81	33636-G01		STATE OF CHARGE METER	1
82	73145-G01		HARNESS (KEY SWITCH) (DCS MODEL ONLY)	1
83	73041-G01		HARNESS (KEY SWITCH) (FLEET)	1
84	17421-G1		IGNITION SWITCH (INCLUDES ALL HARDWARE)	1
85	33639-G01		IGNITION SWITCH (WITH LIGHTS)	1
86	00568-G6		LOCK WASHER, 3/4"	1
87	17063-G1		IGNITION KEY (SET)	AR
88	17137-G1		FACE NUT, 3/4" - 20	1



THE USE OF NON UL PARTS WILL VOID ANY UL LISTING.

When ordering parts, please specify the model and serial number of the product.

* Indicates a component that is not available as an individual part.

G** Indicates consult Customer Service Department for additional information.

ITEM	PART NO.	1 2 3 4 5	DESCRIPTION	QTY.
89	17618-G1		WIRE TIE.....	1
90	33623-G02		RIVET, 3/16" x 3/8" LG.	2
91				
92	71145-G01		DECAL (IGNITION SWITCH ONLY).....	1
93	71123-G01		DECAL (CONSOLE PLATE, STATE OF CHARGE METER W/O LIGHTS).....	1
94	71129-G01		DECAL (CONSOLE PLATE, STATE OF CHARGE METER W/ LIGHTS)	1
95	73030-G01		PLATE (STANDARD CONSOLE INSERT MOUNT)	1
96	73030-G02		PLATE (CONSOLE INSERT, STATE OF CHARGE METER)	1
97				
98				
99	17867-G1		TURN SIGNAL (WITH MOUNTING HARDWARE)	1
100	21640-G1		FLASHER	1
101	*		VINYL TAPE	AR
102	20965-G3		STEERING COLUMN COVER (VEHICLES WITH TURN SIGNALS)	1
103	73043-G01		WIRE HARNESS (ACCESSORY).....	1
104	22260-G2		TAILLIGHT ASSEMBLY (COMPLETE).....	1
105	21759-G1		TAILLIGHT BULB (REPLACEMENT).....	AR
106	74371-G01		BEZEL (DRIVER SIDE).....	1
107	74371-G02		BEZEL (PASSENGER SIDE)	1
108	14601-G11		RIVET, 3/16" X 9/16" LG.	2
109	71364-G02		'J'CLIP	8
110	71425-G01		COUNTERSUNK SCREW, #8.....	8
111	24605-G1		WIRE HARNESS (BRAKE LIGHT)	1
112				
113	74004-G01		HEADLIGHT BULB (REPLACEMENT)	AR
114	74005-G01		MARKER LIGHT BULB (REPLACEMENT).....	AR
115	74006-G01		TURN LIGHT BULB (REPLACEMENT)	AR
116				
117	74001-G01		LIGHT BAR	1
118	74002-G01		LIGHT BAR BRACKET (PASSENGER SIDE).....	1

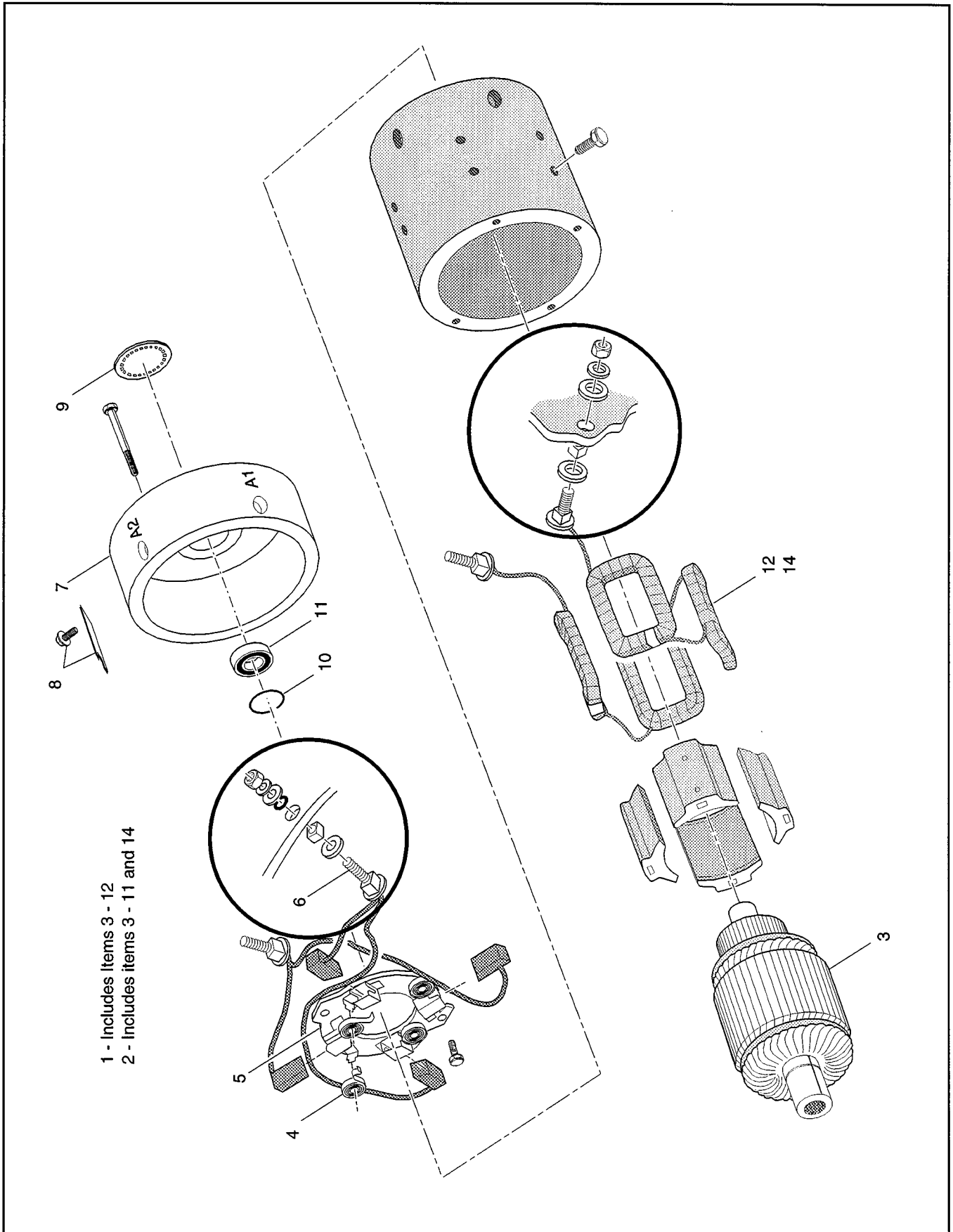
THE USE OF NON UL PARTS WILL VOID ANY UL LISTING.

When ordering parts, please specify the model and serial number of the product.

* Indicates a component that is not available as an individual part.

G** Indicates consult Customer Service Department for additional information.

ITEM	PART NO.	1 2 3 4 5	DESCRIPTION	QTY.
119	74002-G02		LIGHT BAR BRACKET (DRIVER SIDE)	1
120	00414-G6		SCREW, 1/4 - 20 X 3/4" LG.	2
121	11027-G2		LOCK NUT, 1/4 - 20	2
122	00114-G6		SCREW, 1/4 - 14 X 3/4" LG.	8
123	01028-G01		SCREW, 1/4 - 14 X 3/4" LG	2
124	25978-G74		18 GA WIRE (RED 6").....	1



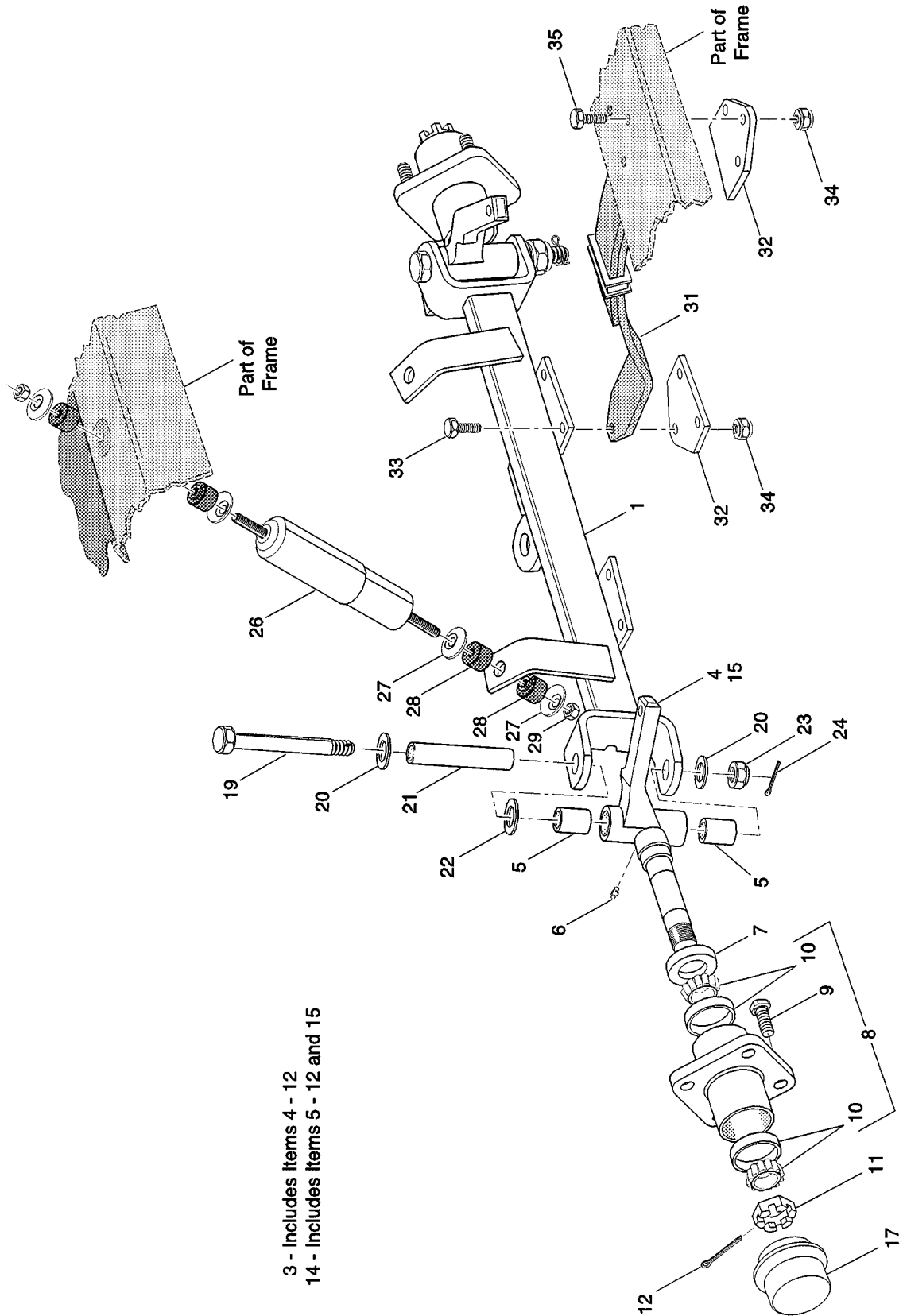
THE USE OF NON UL PARTS WILL VOID ANY UL LISTING.

When ordering parts, please specify the model and serial number of the product.

* Indicates a component that is not available as an individual part.

G** Indicates consult Customer Service Department for additional information.

ITEM	PART NO.	1 2 3 4 5	DESCRIPTION	QTY.
1	73124-G01		MOTOR, COMPLETE (DCS MODEL) (INCLUDES ITEMS 3 - 12).....	1
2	73124-G02		MOTOR, COMPLETE (INCLUDES ITEMS 3 - 11 AND 14).....	1
3	*		ARMATURE	1
4	73120-G03		BRUSH SPRING	4
5	73120-G04		BRUSH PLATE AND BOX	1
6	73120-G05		BRUSH REPLACEMENT KIT (INCLUDES HARDWARE).....	1
7	73120-G08		COVER COMMUTATOR END	1
8	73120-G09		COVER PLATE & SCREW	1
9	73120-G10		CAP	1
10	73120-G06		SNAP RING.....	1
11	73120-G07		BEARING.....	1
12	73120-G02		FIELD COIL KIT (INCLUDES HARDWARE)	1
13				
14	73120-G11		FIELD COIL KIT (INCLUDES HARDWARE)	1



When ordering parts, please specify the model and serial number of the product.

* Indicates a component that is not available as an individual part.

G** Indicates consult Customer Service Department for additional information.

ITEM	PART NO.	1 2 3 4 5	DESCRIPTION	QTY.
1	70001-G01		FRONT AXLE.....	1
2				
3	70220-G01		SPINDLE ASSEMBLY (DRIVER SIDE) (INCLUDES ITEMS 4 - 12).....	1
4	*		SPINDLE (DRIVER SIDE).....	1
5	16623-G1		BEARING.....	2
6	10389-G3		GREASE FITTING.....	1
7	25146-G1		GREASE SEAL.....	1
8	19932-G1		WHEEL HUB ASSEMBLY (INCLUDES ITEMS 9, 10).....	1
9	19862-G1		LUG BOLT, 1/2 - 20.....	4
10	50892-G1		BEARING AND RACE ASSEMBLY (COMPLETE).....	2
11	12093-G1		SLOTTED NUT, 17/32.....	1
12	00798-G8		COTTER PIN, 5/32" X 1 3/4" LG.	1
13				
14	70221-G01		SPINDLE ASSEMBLY (PASSENGER SIDE) (INCLUDES ITEMS 5 - 12, 15) ..	1
15	*		SPINDLE (PASSENGER SIDE).....	1
16				
17	12091-G2		SPINDLE CAP	2
18				
19	70327-G01		SPINDLE PIN, 1/2 - 13 X 5 1/2" LG.	2
20	00571-G5		WASHER, 1/2"	4
21	70328-G01		SPINDLE PIN TUBE	2
22	16982-G1		THRUST WASHER, 7/8"	2
23	14390-G6		LOCK NUT, 1/2 - 13	2
24	10387-G2		COTTER PIN, 3/32 X 1" LG.	2
25				
26	70324-G01		SHOCK ABSORBER	2
27	10435-G1		SHOCK ABSORBER WASHER.....	8
28	10194-G1		RUBBER BUSHING	8
29	00532-G6		NUT, 3/8 - 24	4
30				

FRONT SUSPENSION

Electric Vehicle

When ordering parts, please specify the model and serial number of the product.

* Indicates a component that is not available as an individual part.

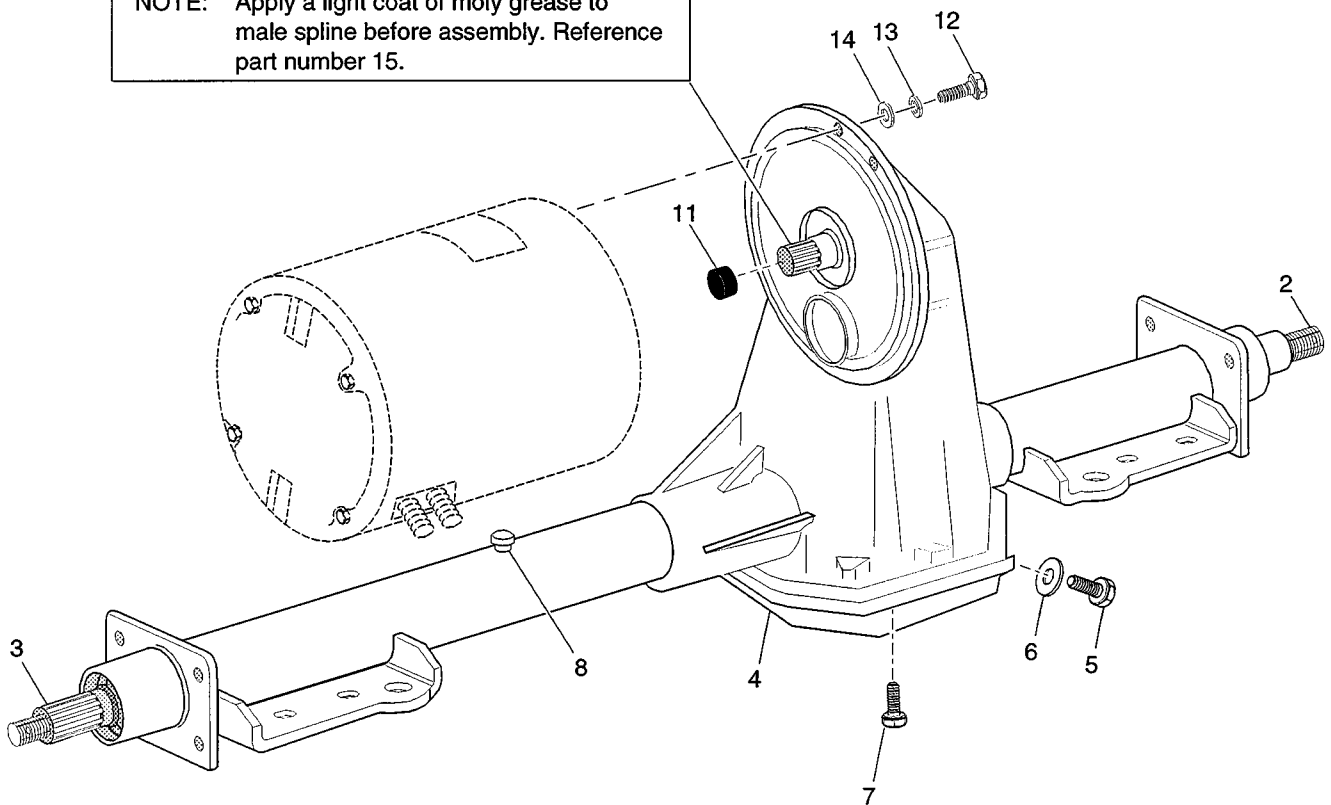
G** Indicates consult Customer Service Department for additional information.

ITEM	PART NO.	1 2 3 4 5	DESCRIPTION	QTY.
31	70049-G01		LEAF SPRING.....	2
32	70163-G02		SPRING PLATE.....	4
33	00463-G4		BOLT, 7/16 - 14 X 1 1/2" LG.	6
34	00734-G1		LOCK NUT, 7/16 - 14	12
35	00463-G6		BOLT, 7/16 - 14 X 1 3/4" LG.	6



1 - Includes Items 2 - 8

NOTE: Apply a light coat of moly grease to male spline before assembly. Reference part number 15.



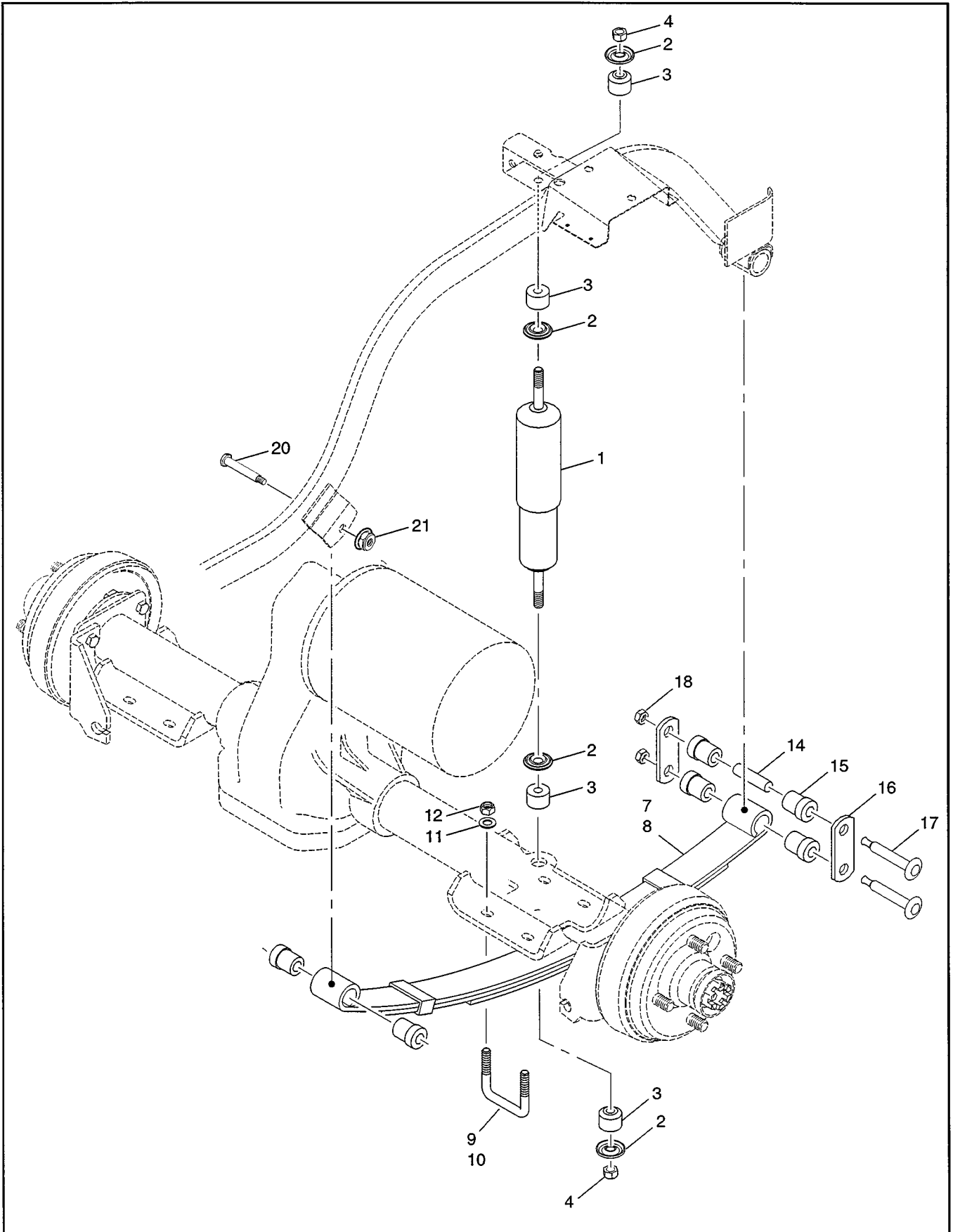
THE USE OF NON UL PARTS WILL VOID ANY UL LISTING.

When ordering parts, please specify the model and serial number of the product.

* Indicates a component that is not available as an individual part.

G** Indicates consult Customer Service Department for additional information.

ITEM	PART NO.	1 2 3 4 5	DESCRIPTION	QTY.
1	73069-G01		REAR AXLE ASSEMBLY (INCLUDES ITEMS 2 - 8)	1
2	20377-G12		AXLE SHAFT (PASSENGER SIDE)	1
3	20377-G11		AXLE SHAFT (DRIVER SIDE)	1
4	25228-G1		DIFFERENTIAL COVER.....	1
5	25226-G1		FILL/CHECK PLUG	1
6	25227-G1		WASHER	1
7	15558-G1		SCREW, 5/16 - 18 X 3/4" LG.....	10
8	73050-G01		VENT	1
9				
10				
11	24261-G1		BUMPER SPLINE.....	1
12	00797-G2		BOLT, 1/4 - 20 X 1 1/4" LG.....	3
13	00565-G7		LOCK WASHER, 1/4"	3
14	00559-G7		WASHER, 1/4"	3
15	28095-G01		MOLY LUBE, 2 OZ.	AR



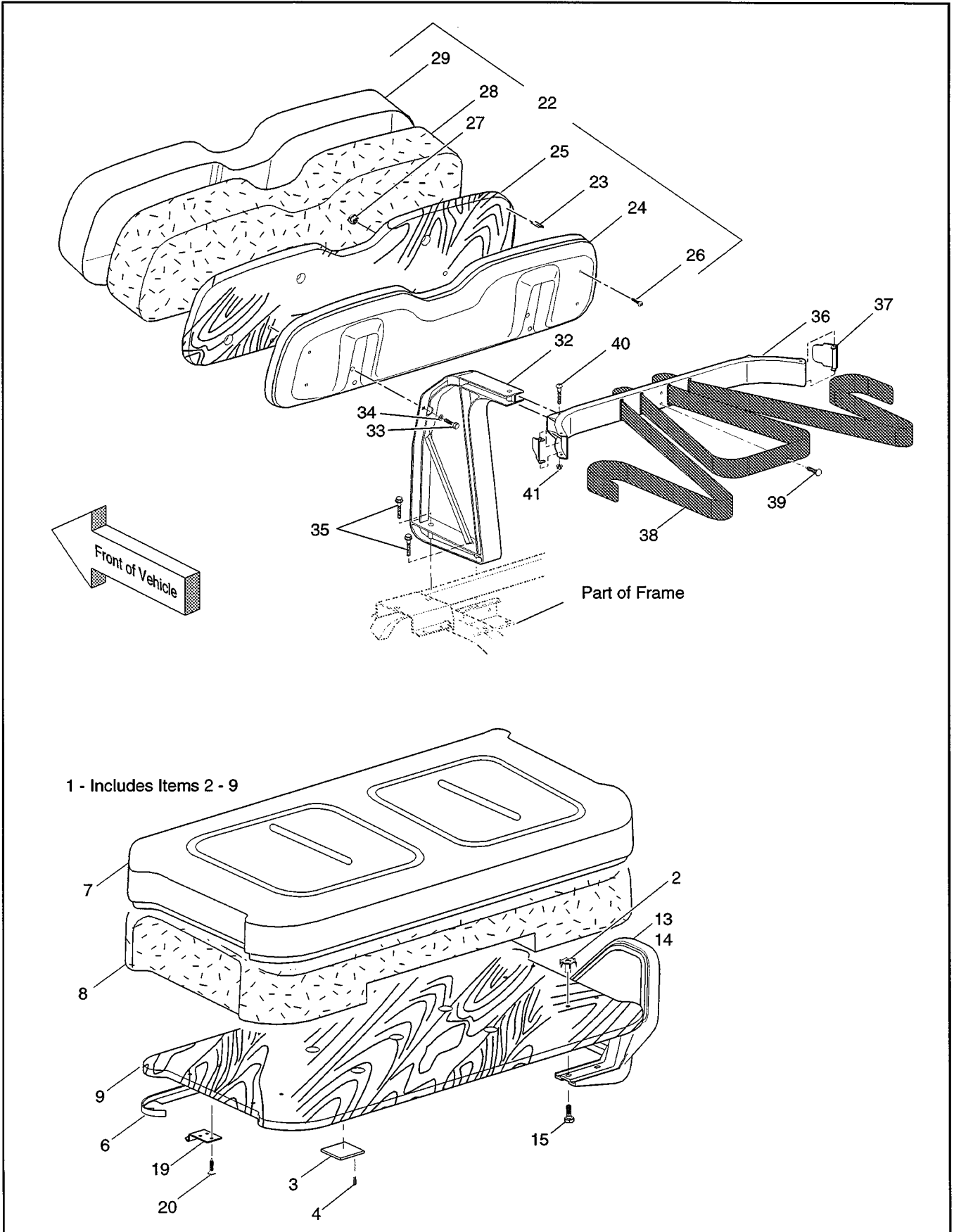
THE USE OF NON UL PARTS WILL VOID ANY UL LISTING.

When ordering parts, please specify the model and serial number of the product.

* Indicates a component that is not available as an individual part.

G** Indicates consult Customer Service Department for additional information.

ITEM	PART NO.	1 2 3 4 5	DESCRIPTION	QTY.
1	70324-G01		SHOCK ABSORBER	2
2	10435-G1		SHOCK ABSORBER WASHER	8
3	10194-G1		RUBBER SHOCK ABSORBER BUSHING	8
4	00532-G6		NUT, 3/8 - 24	4
5				
6				
7	70505-G01		LEAF SPRING KIT	2
8	70506-G01		LEAF SPRING KIT (USE ON 4 CADDY ONLY)	2
9	72029-G01		"U" BOLT, 3/8 - 16	4
10	74124-G01		"U" BOLT, 3/8 - 16 (USE ON 4 CADDY ONLY)	4
11	00560-G1		WASHER, 3/8"	8
12	11098-G5		LOCK NUT, 3/8 - 16	8
13				
14	70289-G02		SPACER	4
15	70291-G01		BUSHING (LEAF SPRING)	12
16	70290-G01		SHACKLE PLATE	4
17	00429-G4		BOLT, 3/8 - 16 X 3 1/2" LG.	4
18	11098-G5		LOCK NUT, 3/8 - 16	4
19				
20	14158-G1		SHOULDER BOLT, 3/8" - 16 X 3 1/4" LG.	2
21	12262-G1		LOCK NUT, 3/8 - 16	2



When ordering parts, please specify the model and serial number of the product.

* Indicates a component that is not available as an individual part.

G** Indicates consult Customer Service Department for additional information.

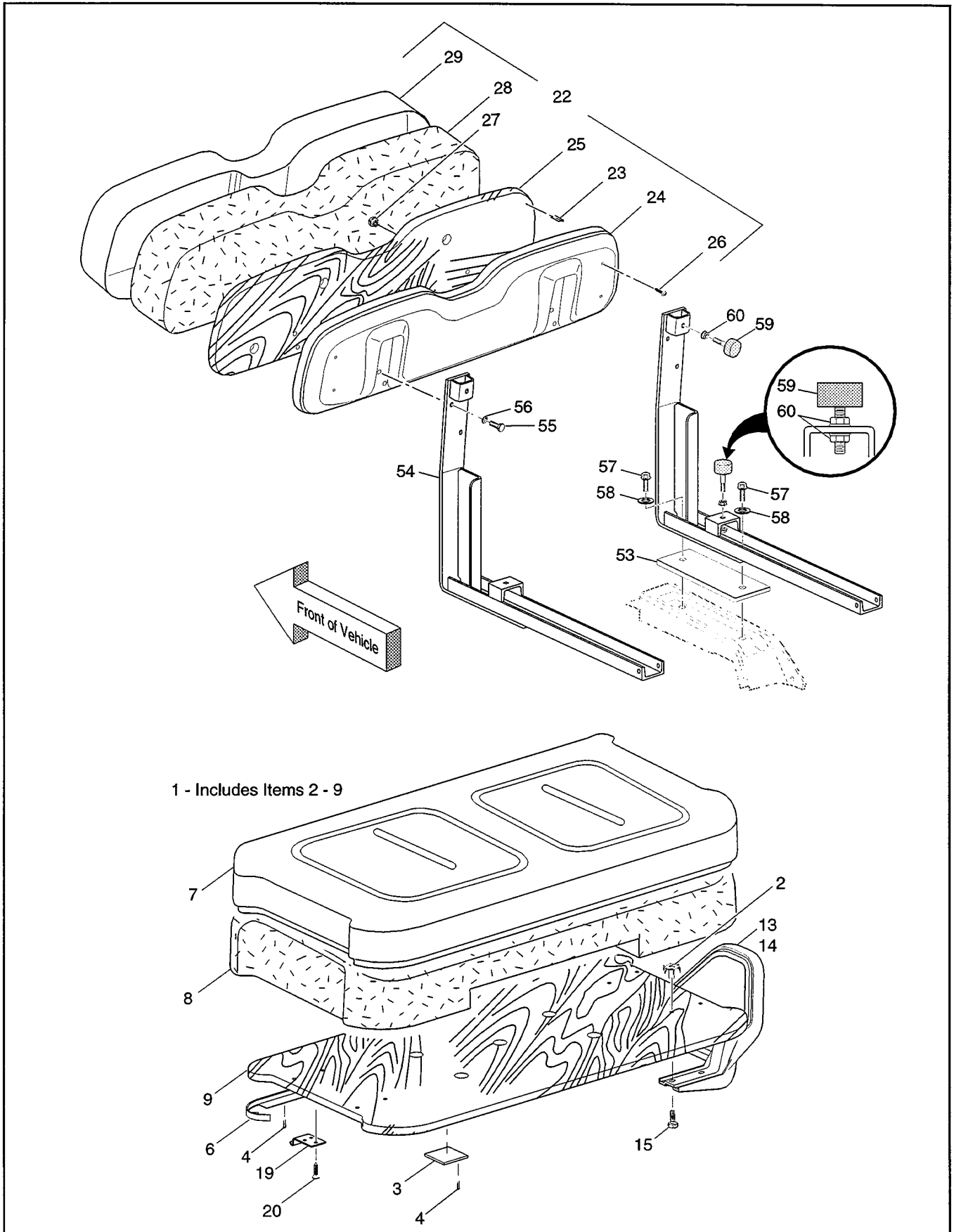
ITEM	PART NO.	1 2 3 4 5	DESCRIPTION	QTY.
1	71611-G**		SEAT BOTTOM ASSEMBLY (INCLUDES ITEMS 2 - 9)	1
2	*		TEE NUT	8
3	17074-G1		BUMPER	2
4	*		FLAT STAPLE	110
5				
6	71012-G01		VINYL TRIM (SEAT BOTTOM)	1
7	71602-G**		VINYL SEAT BOTTOM COVER.....	1
8	*		FOAM PADDING (SEAT BOTTOM).....	1
9	*		SEAT BOTTOM (WOOD).....	1
10				
11				
12				
13	71701-G01		HIP RESTRAINT (PASSENGER SIDE)	1
14	71702-G01		HIP RESTRAINT (DRIVER SIDE)	1
15	71204-G01		BOLT, 1/4 - 20 X 7/8" LG.	8
16				
17				
18				
19	71610-G01		SEAT HINGE.....	2
20	00720-G08		SCREW, #12 - 14 X 1" LG.	4
21				
22	71751-G**		SEAT BACK ASSEMBLY (INCLUDES ITEMS 23 - 29).....	1
23	*		FLAT STAPLE	95
24	71752-G01		PLASTIC SEAT BACK COVER	1
25	*		SEAT BACK (WOOD)	1
26	71002-G01		SCREW, #8 X 5/8" LG.	4
27	*		TEE NUT	4
28	*		FOAM PADDING (SEAT BACK)	1
29	71753-G**		VINYL SEAT BACK COVER	1
30				

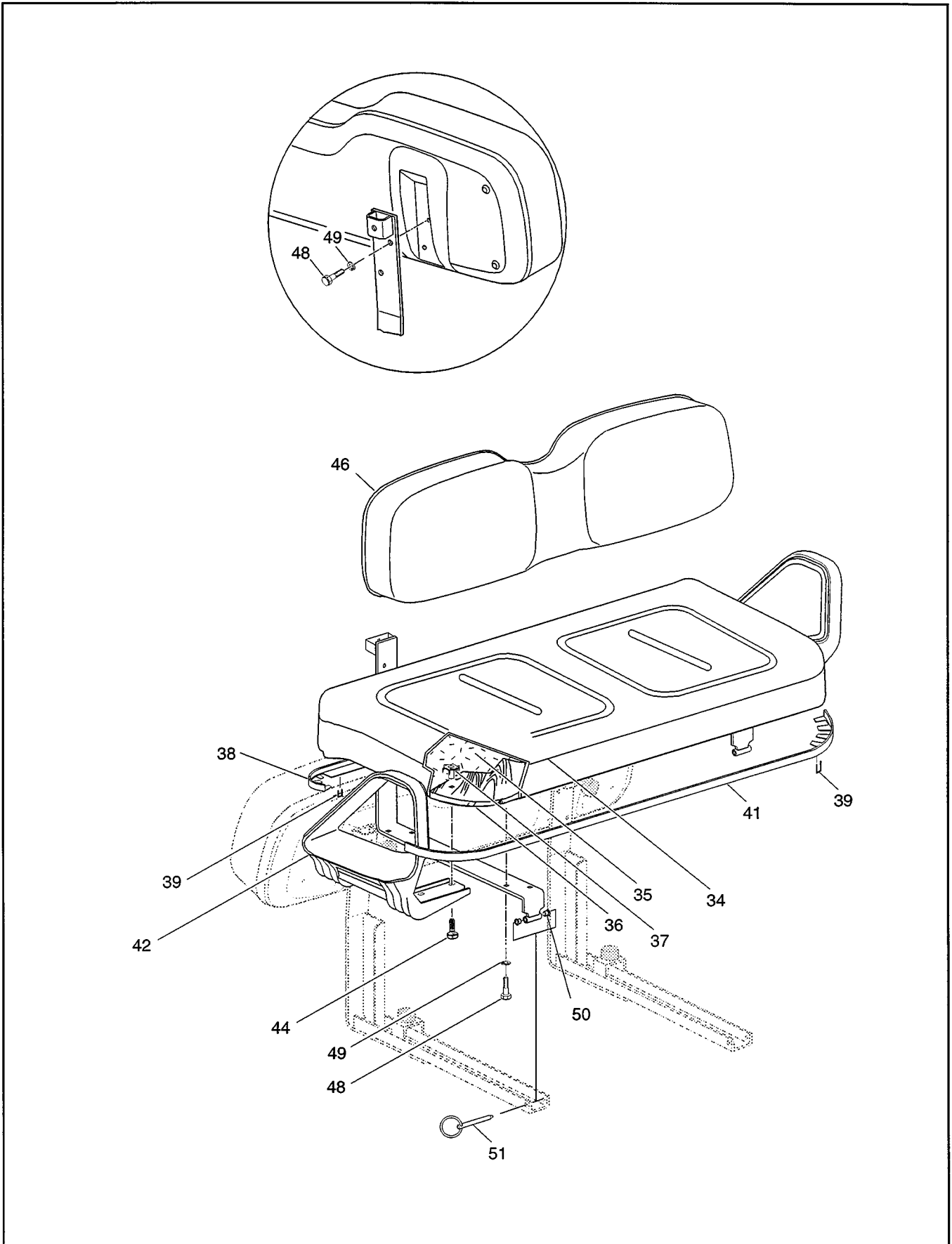
When ordering parts, please specify the model and serial number of the product.

* Indicates a component that is not available as an individual part.

G** Indicates consult Customer Service Department for additional information.

ITEM	PART NO.	1 2 3 4 5	DESCRIPTION	QTY.
31				
32	71811-G02		SEAT SUPPORT BRACKET	2
33	00414-G8		BOLT, 1/4 - 20 X 1" LG.	4
34	00565-G7		LOCK WASHER, 1/4"	4
35	71802-G01		BOLT, 3/8 - 16 X 2 1/4" LG.	4
36	71851-G01		BAG HOLDER BRACKET	1
37	71856-G01		BAG RETAINER CLAMP	2
38	71853-G01		BAG RETAINER STRAP	1
39	16816-G1		RATCHET FASTENER, 1/4" x 5/8" LG	2
40	71821-G01		CARRIAGE BOLT, 1/4 - 20 X 1 1/2" LG.	2
41	11027-G2		LOCK NUT, 1/4 - 20	2





When ordering parts, please specify the model and serial number of the product.

* Indicates a component that is not available as an individual part.

G** Indicates consult Customer Service Department for additional information.

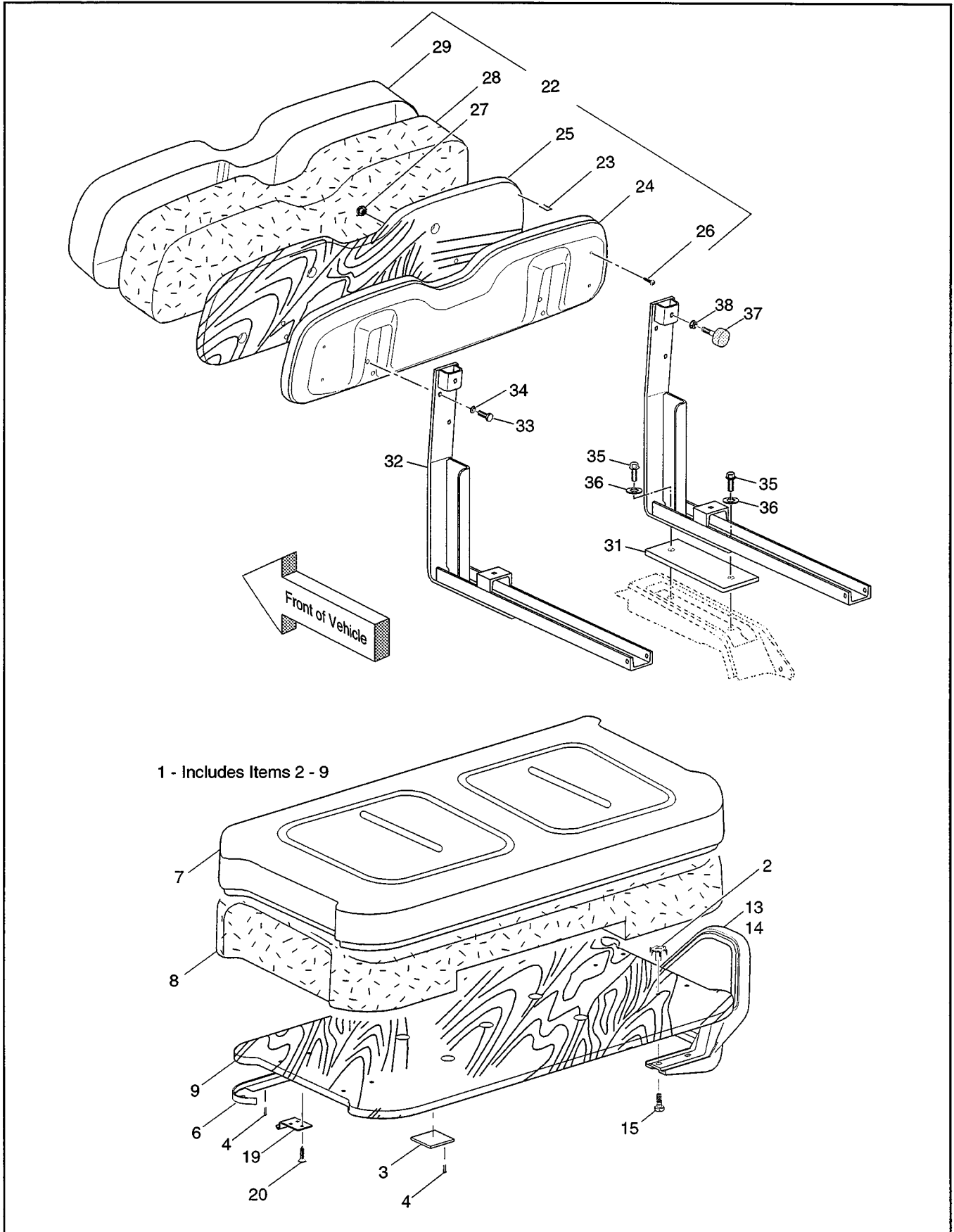
ITEM	PART NO.	1 2 3 4 5	DESCRIPTION	QTY.
1	71611-G**		SEAT BOTTOM ASSEMBLY (INCLUDES ITEMS 2 - 10).....	1
2	*		TEE NUT.....	8
3	17074-G1		BUMPER.....	2
4	*		FLAT STAPLE	110
5				
6	71012-G01		VINYL TRIM (SEAT BOTTOM)	1
7	71602-G**		VINYL SEAT BOTTOM COVER.....	1
8	*		FOAM PADDING (SEAT BOTTOM)	1
9	*		SEAT BOTTOM (WOOD).....	1
10				
11				
12				
13	71701-G01		HIP RESTRAINT (PASSENGER SIDE)	1
14	71702-G01		HIP RESTRAINT (DRIVER SIDE).....	1
15	71204-G01		BOLT, 1/4 - 20 X 7/8" LG.	8
16				
17				
18				
19	71610-G01		SEAT HINGE	2
20	00720-G08		SCREW, #12 - 14 X 1" LG.....	6
21				
22	71751-G**		SEAT BACK ASSEMBLY (INCLUDES ITEMS 23 - 29)	1
23	*		FLAT STAPLE	95
24	71752-G01		PLASTIC SEAT BACK COVER.....	1
25	*		SEAT BACK (WOOD)	1
26	71002-G01		SCREW, #8 X 5/8" LG.	4
27	*		TEE NUT.....	4
28	*		FOAM PADDING (SEAT BACK).....	1
29	71753-G**		VINYL SEAT BACK COVER	1
30				

When ordering parts, please specify the model and serial number of the product.

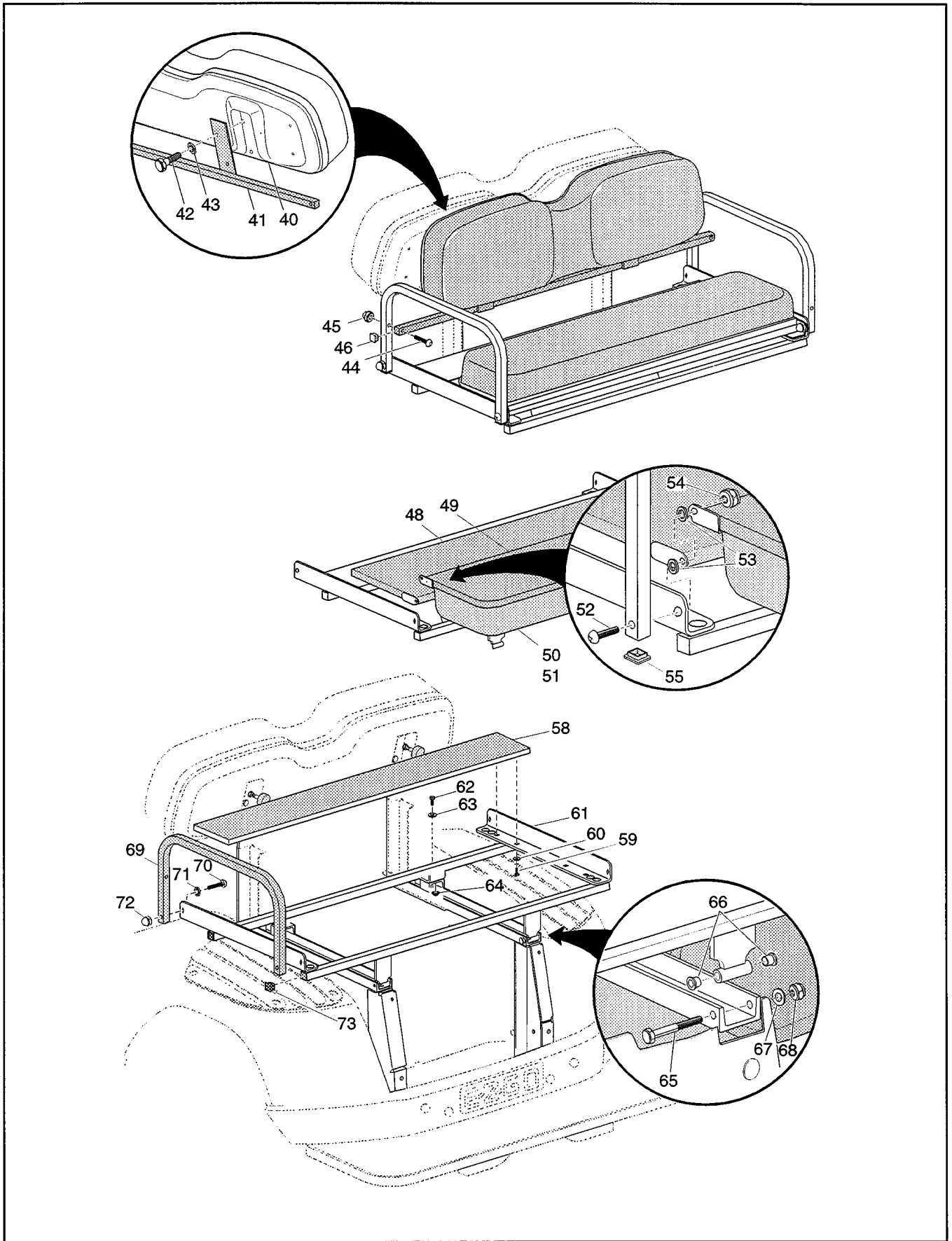
* Indicates a component that is not available as an individual part.

G** Indicates consult Customer Service Department for additional information.

ITEM	PART NO.	1	2	3	4	5	DESCRIPTION	QTY.
31								
32								
33	74139-G**						SEAT BOTTOM ASSEMBLY (INCLUDES ITEMS 33 - 46)	1
34	71602-G**						VINYL COVER (SEAT BOTTOM)	1
35	*						FOAM PADDING (SEAT BOTTOM)	1
36	*						SEAT BOTTOM (WOOD).....	1
37	*						TEE NUT	16
38	74140-G01						TRIM.....	1
39	*						FLAT STAPLE	110
40								
41	71012-G01						TRIM.....	1
42	71702-G01						HIP RESTRAINT (DRIVER SIDE).....	1
43	71701-G01						HIP RESTRAINT (PASSENGER SIDE).....	1
44	00414-G8						BOLT, 1/4 - 20 X 1" LG.	8
45								
46	71751-G**						SEAT BACK ASSEMBLY (INCLUDES ITEMS 23 - 29).....	1
47	74117-G01						SEAT SUPPORT BRACKET	2
48	00414-G8						BOLT, 1/4 - 20 X 1" LG.....	12
49	00565-G7						LOCK WASHER, 1/4".....	12
50	17838-G1						NYLON BUSHING	4
51	74134-G01						QUICK RELEASE PIN	2
52								
53	70364-G01						SPACER.....	2
54	74111-G01						SEAT BACK SUPPORT	2
55	00414-G8						BOLT, 1/4 - 20 X 1" LG.....	4
56	00565-G7						LOCK WASHER, 1/4".....	4
57	01006-G02						BOLT, 3/8 - 16 X 1 1/2" LG.....	4
58	00560-G1						WASHER, 3/8"	4
59	70113-G01						RUBBER BUMPER.....	4
60	11027-G1						LOCK NUT, 5/16 - 18	6



1 - Includes Items 2 - 9



When ordering parts, please specify the model and serial number of the product.

* Indicates a component that is not available as an individual part.

G** Indicates consult Customer Service Department for additional information.

ITEM	PART NO.	1 2 3 4 5	DESCRIPTION	QTY.
1	71611-G**		SEAT BOTTOM ASSEMBLY (INCLUDES ITEMS 2 - 10).....	1
2	*		TEE NUT.....	8
3	17074-G1		BUMPER.....	2
4	*		FLAT STAPLE	110
5	*		FLAT STAPLE	46
6	71012-G01		VINYL TRIM (SEAT BOTTOM)	1
7	71602-G**		VINYL SEAT BOTTOM COVER.....	1
8	*		FOAM PADDING (SEAT BOTTOM)	1
9	*		SEAT BOTTOM (WOOD)	1
10				
11				
12				
13	71701-G01		HIP RESTRAINT (PASSENGER SIDE)	1
14	71702-G01		HIP RESTRAINT (DRIVER SIDE).....	1
15	00414-G8		BOLT, 1/4 - 20 X 1" LG.	8
16				
17				
18				
19	71610-G01		SEAT HINGE	2
20	00720-G08		SCREW, #12 - 14 X 1" LG.....	4
21				
22	71751-G**		SEAT BACK ASSEMBLY (INCLUDES ITEMS 23 - 29)	1
23	*		FLAT STAPLE	95
24	71752-G01		PLASTIC SEAT BACK COVER.....	1
25	*		SEAT BACK (WOOD)	1
26	71002-G01		SCREW, #8 X 5/8" LG.	4
27	*		TEE NUT.....	4
28	*		FOAM PADDING (SEAT BACK).....	1
29	71753-G**		VINYL SEAT BACK COVER	1
30				

When ordering parts, please specify the model and serial number of the product.

* Indicates a component that is not available as an individual part.

G** Indicates consult Customer Service Department for additional information.

ITEM	PART NO.	1 2 3 4 5	DESCRIPTION	QTY.
31	70364-G01		SPACER.....	2
32	74111-G01		SEAT BACK SUPPORT	2
33	00414-G8		BOLT, 1/4 - 20 X 1" LG.....	4
34	00565-G7		LOCK WASHER, 1/4"	4
35	01006-G02		BOLT, 3/8 - 16 X 1 1/2" LG.....	4
36	00560-G1		WASHER, 3/8"	4
37	70113-G01		RUBBER BUMPER.....	2
38	11027-G1		LOCK NUT, 5/16 - 18	2
39				
40	71751-G**		SEAT BACK ASSEMBLY (INCLUDES ITEMS 23 - 29).....	1
41	75258-G01		SEAT BACK MOUNT	1
42	00414-G8		BOLT, 1/4 - 20 X 1" LG.....	4
43	00565-G7		LOCK WASHER, 1/4"	4
44	16705-G6		BOLT, 1/4 - 20 X 1 3/4" LG.....	2
45	00520-G1		ACORN NUT, 1/4 - 20	2
46	19859-G1		END PLUG, 3/4".....	2
47				
48	75229-G01		BED ASSEMBLY (INCLUDES HINGE AND MAT)	1
49	75263-G01		SEAT BOTTOM ASSEMBLY (INCLUDES HINGE AND MAT)	1
50	75197-G**		SEAT BOTTOM.....	1
51	75252-G01		VINYL SEAT BOTTOM COVER	1
52	00762-G4		BOLT, 5/16 - 18 X 1 1/2"LG.....	2
53	17255-G1		TEFLON WASHER, 5/16"	4
54	00654-G3		LOCK NUT, 5/16 - 18	2
55	19859-G1		END CAP, 3/4".....	4
56				
57				
58	75273-G01		BED FRONT (INCLUDES MAT).....	1
59	00661-G6		BOLT, 1/4 - 20 X 3/4" LG.....	4
60	00559-G8		WASHER, 5/16"	4

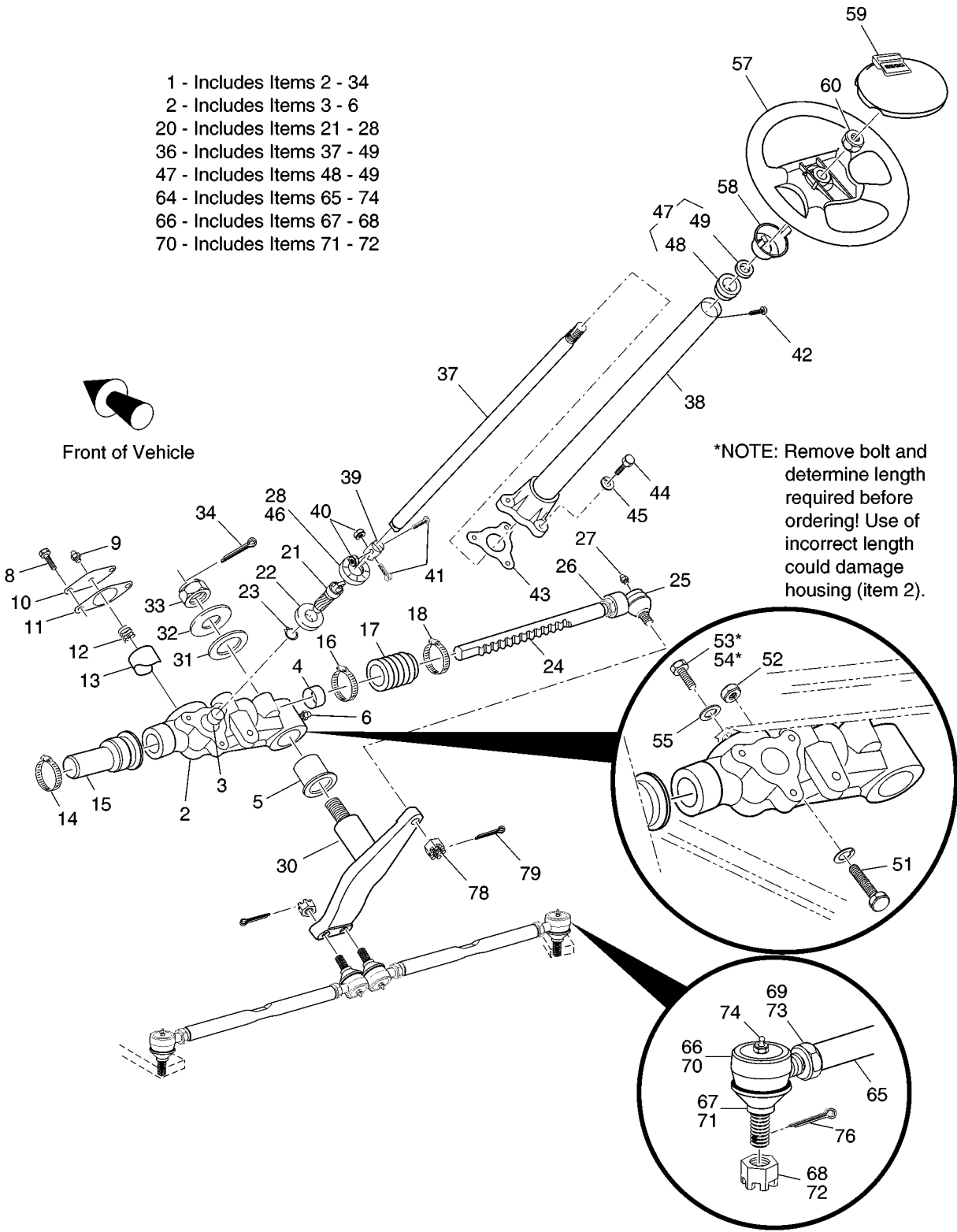
When ordering parts, please specify the model and serial number of the product.

* Indicates a component that is not available as an individual part.

G** Indicates consult Customer Service Department for additional information.

ITEM	PART NO.	1 2 3 4 5	DESCRIPTION	QTY.
61	75193-G01		SUPPORT FRAME.....	1
62	00438-G8		BOLT, 5/16 -18 X 1" LG.	2
63	00559-G8		WASHER, 5/16".....	2
64	11027-G1		LOCK NUT, 5/16 - 18	2
65	00440-G4		BOLT, 5/16 -18 X 2 1/2" LG.	2
66	17838-G1		NYLON BUSHING.....	4
67	00559-G8		WASHER, 5/16".....	2
68	00654-G3		LOCK NUT, 5/16 - 18	2
69	75196-G01		HANDRAIL	2
70	00762-G02		BOLT, 5/16 -18 X 1 1/4" LG.	2
71	00664-G8		LOCK WASHER, 5/16".....	2
72	00520-G3		ACORN NUT, 5/16 - 18	2
73	75261-G02		END CAP, 1".....	4

- 1 - Includes Items 2 - 34
- 2 - Includes Items 3 - 6
- 20 - Includes Items 21 - 28
- 36 - Includes Items 37 - 49
- 47 - Includes Items 48 - 49
- 64 - Includes Items 65 - 74
- 66 - Includes Items 67 - 68
- 70 - Includes Items 71 - 72



*NOTE: Remove bolt and determine length required before ordering! Use of incorrect length could damage housing (item 2).

When ordering parts, please specify the model and serial number of the product.

* Indicates a component that is not available as an individual part.

G** Indicates consult Customer Service Department for additional information.

ITEM	PART NO.	1	2	3	4	5	DESCRIPTION	QTY.
1	70314-G02	STEERING BOX ASSEMBLY (COMPLETE) (INCLUDES ITEMS 2 - 34)					1	
2	75364-G01	STEERING HOUSING (INCLUDES ITEMS 3 - 6).....					1	
3	*	SLEEVE BEARING					1	
4	*	SLEEVE BEARING					1	
5	*	FLANGED BEARING					1	
6	10389-G3	GREASE FITTING, STRAIGHT					1	
7								
8	00426-G6	BOLT, 3/8 - 16 X 3/4" LG.....					2	
9	18456-G1	GREASE FITTING, 90°					1	
10	70177-G01	RACK GUIDE COVER					1	
11	70225-G01	GASKET					1	
12	70178-G01	COMPRESSION SPRING					1	
13	70179-G01	RACK GUIDE					1	
14	11391-G1	HOSE CLAMP, 1 1/4"					1	
15	70041-G01	RACK COVER.....					1	
16	11391-G1	HOSE CLAMP, 1 1/4"					1	
17	70183-G01	BELLOWS					1	
18	11391-G5	HOSE CLAMP, 3/4"					1	
19								
20	70299-G01	STEERING GEAR KIT (INCLUDES ITEMS 21 - 28).....					1	
21	70297-G01	GEAR PINION.....					1	
22	15112-G1	BALL BEARING					1	
23	70190-G01	EXTERNAL RETAINING RING					1	
24	70298-G01	STEERING RACK					1	
25	70192-G01	RACK BALL END					1	
26	00532-G8	NUT, 7/16 - 20					1	
27	18456-G1	GREASE FITTING, 90°					1	
28	70466-G01	RETAINER					1	
29								
30	70184-G01	IDLER.....					1	

When ordering parts, please specify the model and serial number of the product.
 * Indicates a component that is not available as an individual part.
 G** Indicates consult Customer Service Department for additional information.

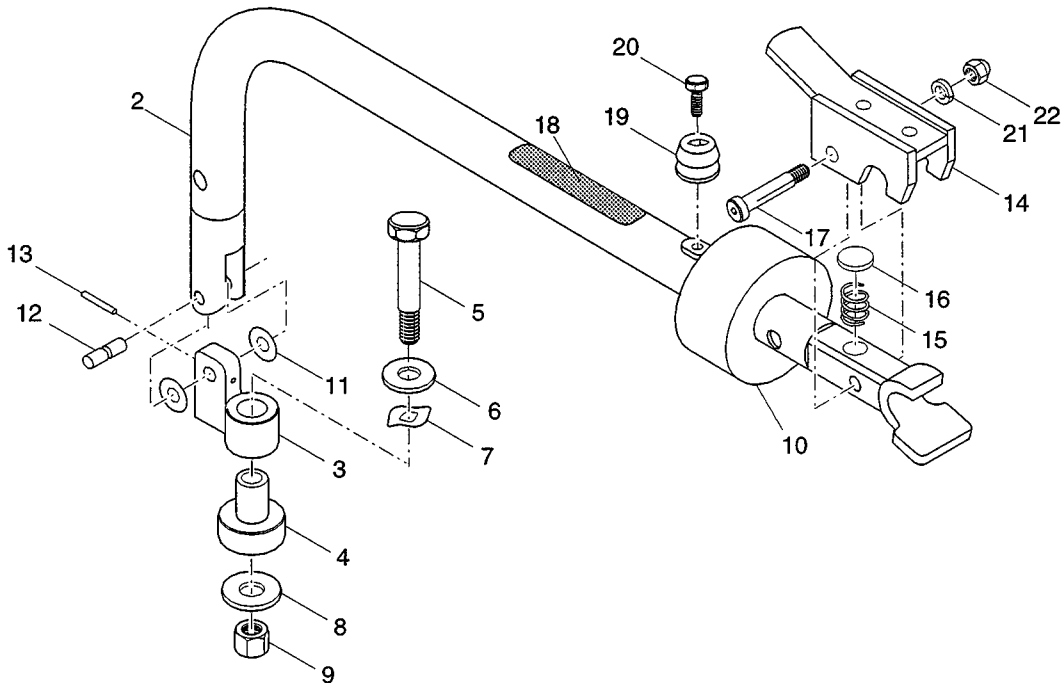
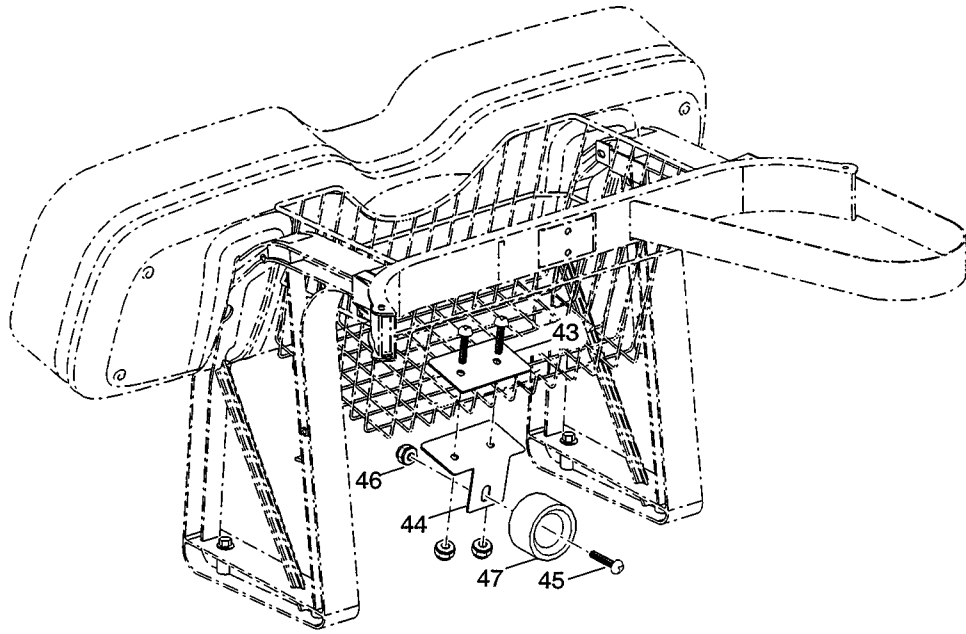
ITEM	PART NO.	1 2 3 4 5	DESCRIPTION	QTY.
31	70216-G01		THRUST WASHER, 1 1/2"	1
32	70195-G01		THRUST WASHER, 7/8"	1
33	00734-G6		LOCK NUT, 7/8 - 9.....	1
34	00798-G8		COTTER PIN, 5/32" X 1 3/4" LG.	1
35				
36	70360-G01		STEERING SHAFT/COLUMN KIT (INCLUDES ITEMS 37 - 49)	1
37	14322-G3		STEERING SHAFT.....	1
38	70333-G01		STEERING COLUMN	1
39	70558-G01		COUPLING.....	1
40	00550-G1		LOCK NUT, 1/4 - 20.....	2
41	70227-G01		BOLT, 1/4 - 20 X 7/8" LG.	2
42	01022-G01		SCREW, #6 - 20 X 5/16" LG.....	1
43	70223-G01		GASKET	1
44	01034-G01		BOLT, 3/8 - 16 X 1 1/2" LG. WITH PATCHLOCK	3
45	00878-G1		LOCK WASHER, 3/8"	3
46	70466-G01		RETAINER.....	1
47	17161-G1		BUSHING AND SEAL KIT (INCLUDES ITEMS 48, 49)	1
48	*		STEERING COLUMN BUSHING.....	1
49	*		SHAFT SEAL.....	1
50				
51	00470-G4		BOLT, 7/16 - 20 X 2 1/2" LG.....	1
52	00734-G3		LOCK NUT, 7/16 - 20	1
53	01033-G01		BOLT, 7/16 - 14 X 1 1/4" LG. WITH PATCHLOCK (PROD. SINCE 4-98)	2
54	01033-G02		BOLT, 7/16 - 14 X 7/8" LG. WITH PATCHLOCK (PRIOR TO 4-98 PROD.)	2
55	00566-G2		LOCK WASHER, 7/16".....	3
56				
57	71948-G01		STEERING WHEEL	1
58	71949-G01		HUB.....	1
59	71950-G01		CLIPBOARD	1
60	14390-G2		LOCK NUT, 5/8 - 18	1



When ordering parts, please specify the model and serial number of the product.
 * Indicates a component that is not available as an individual part.
 G** Indicates consult Customer Service Department for additional information.

ITEM	PART NO.	1	2	3	4	5	DESCRIPTION	QTY.
61								
62								
63								
64	70074-G01						TIE ROD ASSEMBLY (INCLUDES ITEMS 65 - 74).....	2
65	70583-G02						THREADED TUBE WITH FLAT	1
66	27205-G01						TIE ROD END (LEFT HAND THREAD) (INCLUDES ITEMS 67 - 68).....	1
67	50641-G1						RUBBER BOOT	1
68	50209-G2						SLOTTED NUT, 7/16 - 20.....	1
69	18434-G3						JAM NUT, 9/16 - 18 (LEFT HAND THREAD)	1
70	27205-G02						TIE ROD END (RIGHT HAND THREAD) (INCLUDES ITEMS 71 - 72).....	1
71	50641-G1						RUBBER BOOT	1
72	50209-G2						SLOTTED NUT, 7/16 - 20.....	1
73	18434-G4						JAM NUT, 9/16 - 18 (RIGHT HAND THREAD).....	1
74	10389-G3						GREASE FITTING, STRAIGHT	2
75								
76	10387-G2						COTTER PIN, 3/32" X 1" LG.....	2
77								
78	50209-G2						SLOTTED NUT, 7/16 - 20	1
79	10387-G2						COTTER PIN, 3/32" X 1" LG.....	1





When ordering parts, please specify the model and serial number of the product.

* Indicates a component that is not available as an individual part.

G** Indicates consult Customer Service Department for additional information.

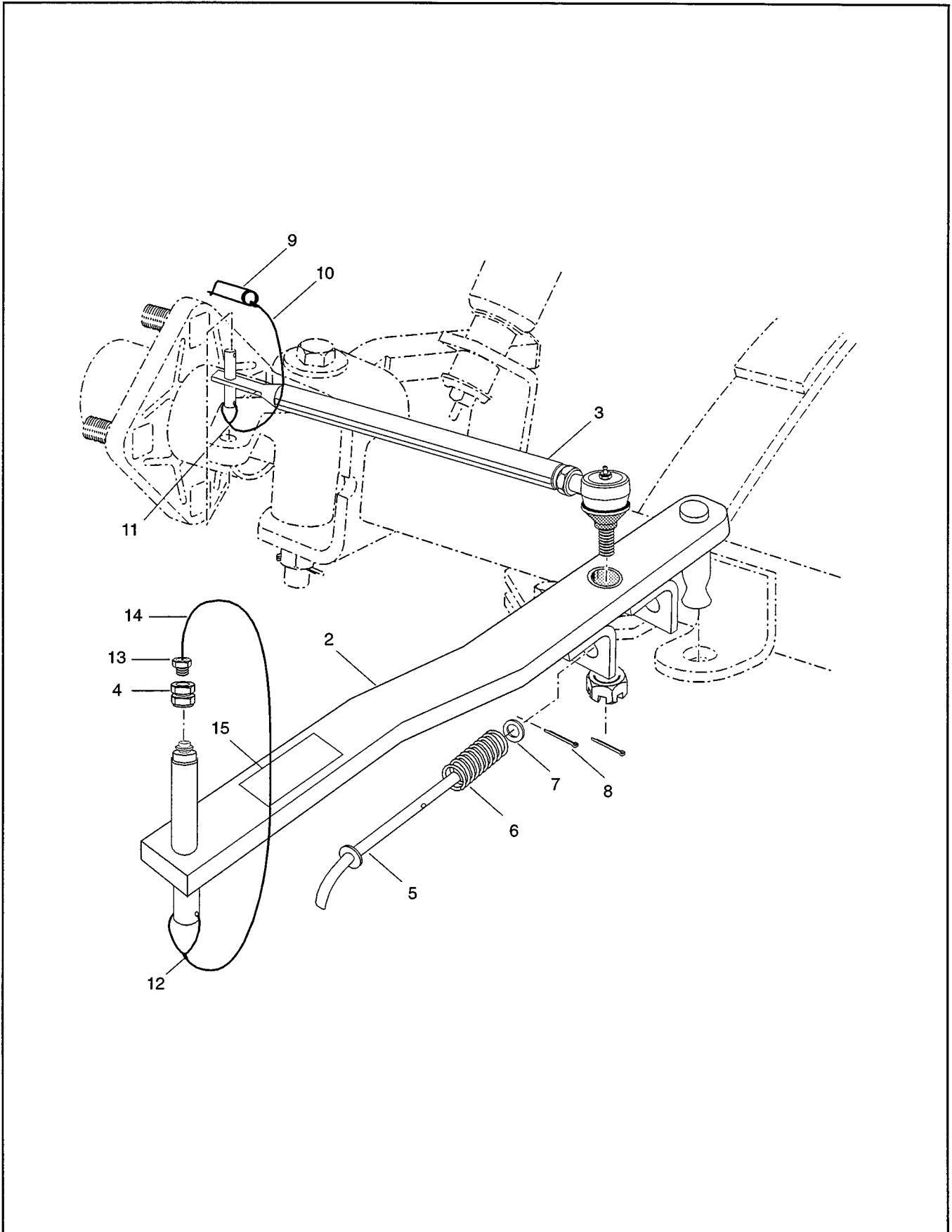
ITEM	PART NO.	1 2 3 4 5	DESCRIPTION	QTY.
1	75304-G01		TOW BAR (TOWING VEHICLE) (INCLUDES ITEMS 2 - 22).....	1
2	75299-G01		TOW BAR	1
3	75302-G01		UPPER PIVOT	1
4	75291-G01		LOWER PIVOT	1
5	00410-G8		BOLT, 1/2 - 20 X 3" LG.....	1
6	00675-G3		WASHER, 1/2"	1
7	75339-G01		SPRING WASHER.....	1
8	00571-G5		WASHER, 1/2"	1
9	11098-G8		LOCK NUT, 1/2 - 20.....	1
10	75362-G01		LATCH STOP.....	1
11	75340-G01		DELRIN WASHER, 3/8"	2
12	75360-G01		PIVOT PIN	2
13	13571-G7		SPRING PIN	2
14	75303-G01		LATCH.....	1
15	20852-G2		COMPRESSION SPRING	1
16	25661-G02		CUP WASHER.....	1
17	13005-G4		SHOULDER BOLT, 3/8 X 1 5/8" LG.....	1
18	75370-G01		LABEL (WARNING)	1
19	75338-G03		MALE STOP	1
20	12547-G4		SCREW, 6MM x 30 MM	1
21	00565-G8		LOCK WASHER, 5/16"	1
22	00520-G3		ACORN NUT, 5/16 - 18.....	1
23	75308-G01		TOW BAR HITCH (TOWED VEHICLE) (INCLUDES ITEMS 24 - 42)	1
24	75305-G01		HITCH.....	1
25	75292-G01		PIVOT BOLT	1
26	75309-G01		THRUST WASHER	2
27	75342-G01		WASHER, 3/4"	1
28	00518-G8		CASTELLATED NUT, 3/4 - 16.....	1
29	10387-G1		COTTER PIN, 1/8" X 1 1/2" LG.....	2
30	75307-G01		BEARING.....	1

When ordering parts, please specify the model and serial number of the product.

* Indicates a component that is not available as an individual part.

G** Indicates consult Customer Service Department for additional information.

ITEM	PART NO.	1 2 3 4 5	DESCRIPTION	QTY.
31	00566-G6		LOCK WASHER, 3/4"	1
32	00533-G8		NUT, 3/4 - 16.....	1
33	75306-G01		TIE ROD (INCLUDES ITEMS 34 - 42)	1
34	75287-G01		STEERING LINK.....	1
35	27205-G01		TIE ROD END (LEFT HAND THREADS).....	1
36	*		JAM NUT, 9/16 - 18 (LEFT HAND THREADS).....	1
37	27205-G02		TIE ROD END (RIGHT HAND THREADS))	1
38	*		JAM NUT, 9/16 - 18 (RIGHT HAND THREADS)	1
39	10389-G3		GREASE FITTING	2
40	50641-G1		RUBBER BOOT	2
41	50209-G2		CASTELLATED NUT, 7/16 - 20	2
42	10387-G2		COTTER PIN, 3/32" X 1" LG.....	2
43	75318-G01		MOUNTING PLATE	1
44	75319-G01		STOP MOUNT PLATE	1
45	16705-G1		SCREW, 1/4 - 20 X 1" LG.	3
46	00891-G2		LOCK NUT, 1/4 - 20	3
47	75338-G02		FEMALE STOP	1



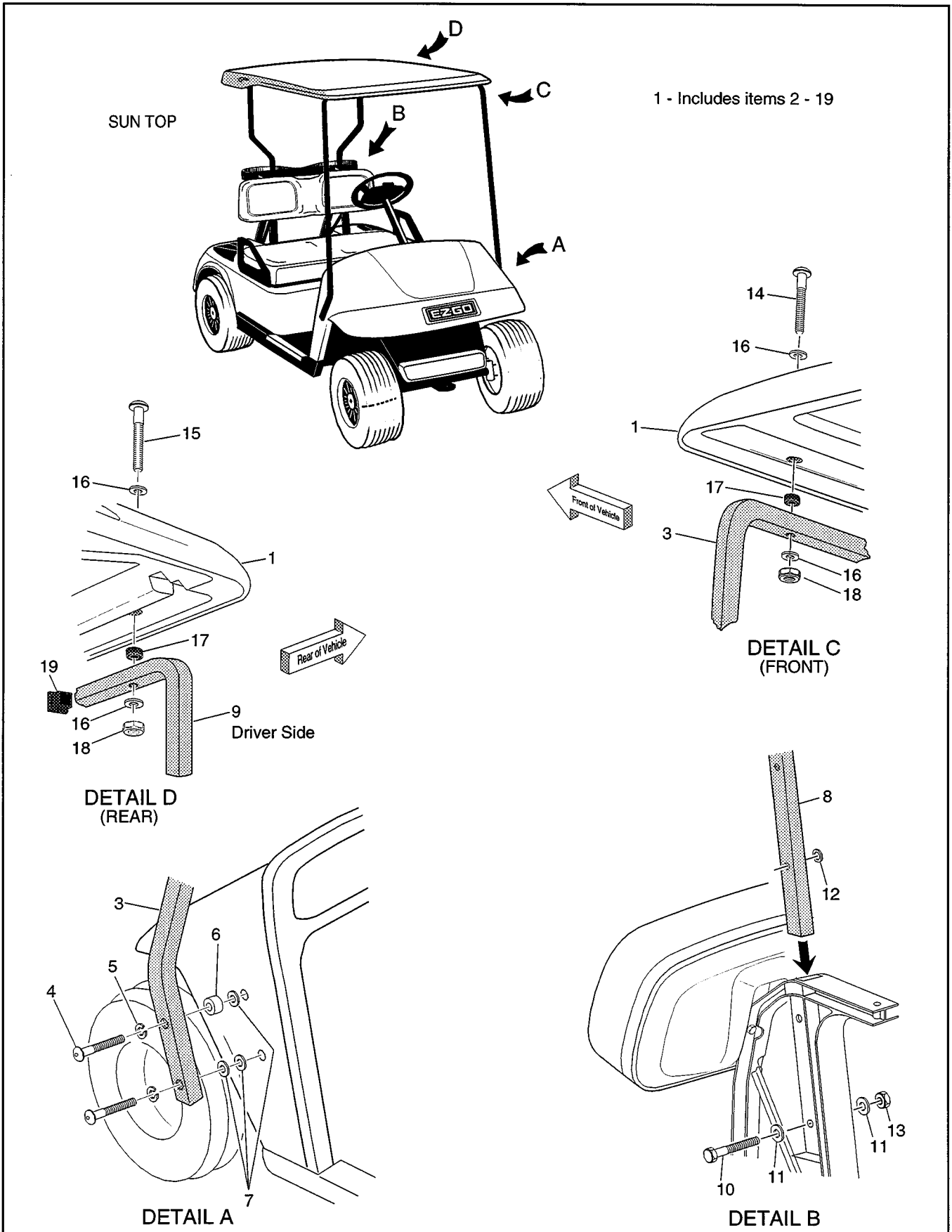
When ordering parts, please specify the model and serial number of the product.

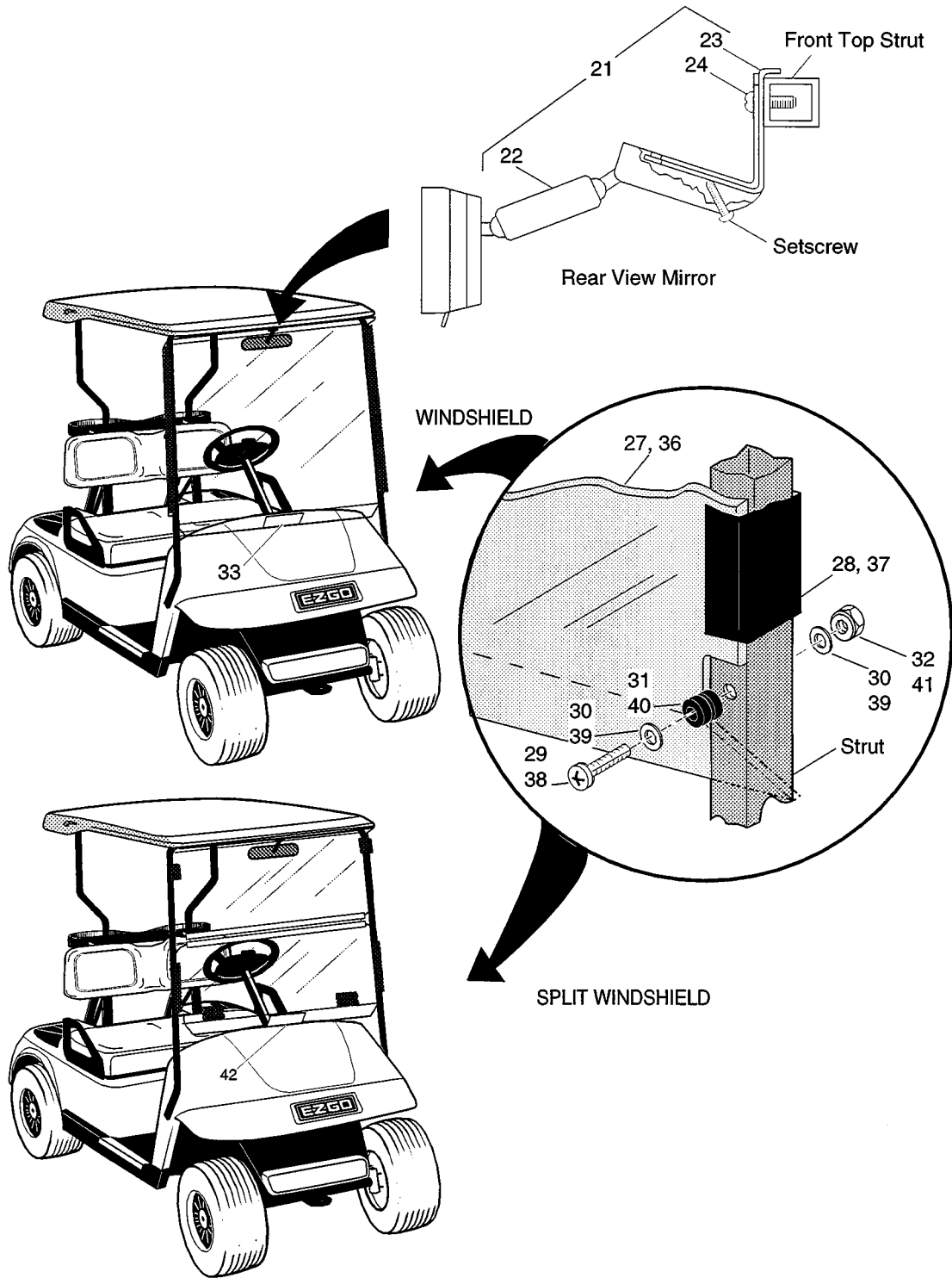
* Indicates a component that is not available as an individual part.

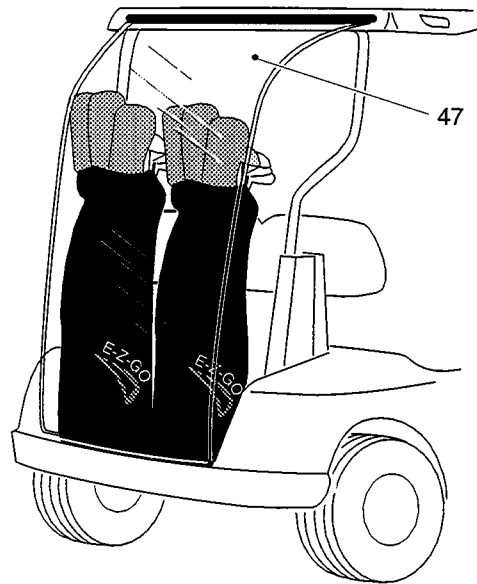
G** Indicates consult Customer Service Department for additional information.

ITEM	PART NO.	1 2 3 4 5	DESCRIPTION	QTY.
1	75033-G01		CASUAL TOW BAR, (INCLUDES ITEMS 2 - 15).....	1
2	*		TOW BAR	1
3	75034-G01		TIE ROD (INCLUDES NUT AND COTTER PIN).....	1
4	75060-G01		COUPLING	1
5	*		LOCK PIN.....	1
6	75065-G01		COMPRESSION SPRING.....	1
7	00922-G2		WASHER, 3/8".....	1
8	10387-G2		COTTER PIN, 3/32" X 1" LG.	1
9	75068-G01		SAFETY PIN.....	1
10	14869-G5		WIRE ROPE	1
11	16783-G1		FERRULE	3
12	75067-G01		FERRULE	1
13	75035-G01		HEX HEAD PLUG.....	1
14	14869-G3		WIRE ROPE	1
15	*		LABEL (WARNING).....	1



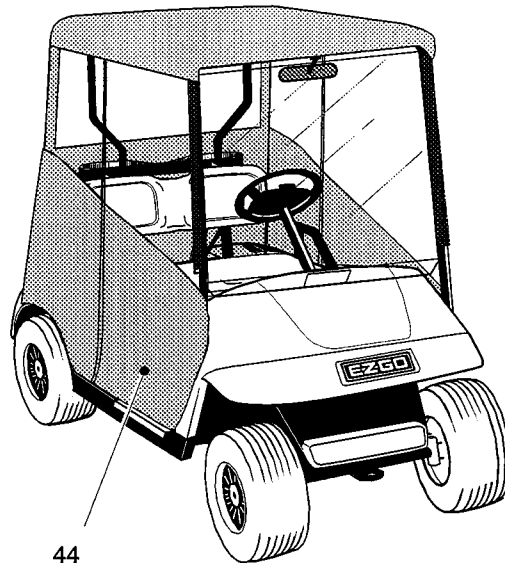






BAG AND RAIN CURTAIN

WEATHER ENCLOSURE



44
45

Replacement parts for the windshield may be obtained from Eagle Parts, Inc. 1811 Wilkinson Rd. Augusta, GA 30904. Telephone (706) 729-9911 or FAX (706) 729-0055

* Indicates a component that is not available as an individual part.

G** Indicates consult Customer Service Department for additional information.

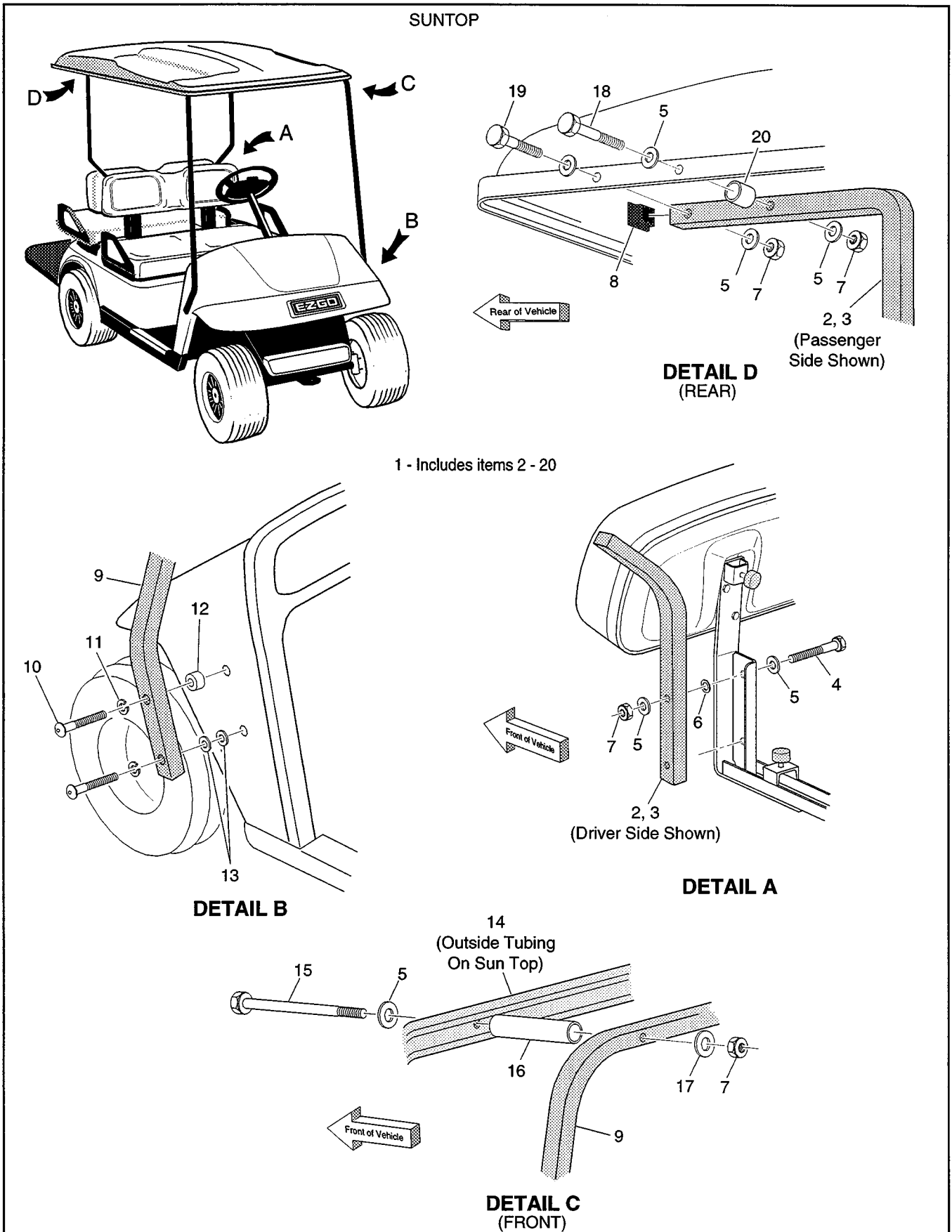
ITEM	PART NO.	1 2 3 4 5	DESCRIPTION	QTY.
1	75040-G01		SUN TOP KIT (GOLF CAR)	1
2	27069-G01		SUN TOP	1
3	75045-G01		FRONT STRUT.....	1
4	71056-G03		BOLT, 5/16 - 18 X 2 1/8" LG	4
5	00905-G8		LOCK WASHER, 5/16"	4
6	75048-G01		SPACER, 1/2"	2
7	00570-G2		WASHER, 5/16".....	6
8	75343-G01		REAR STRUT (DRIVER SIDE)	1
9	75343-G02		REAR STRUT (PASSENGER SIDE)	1
10	00439-G6		BOLT, 5/16 - 18 X 1 3/4" LG	4
11	00571-G2		WASHER, 5/16".....	8
12	15121-G1		WASHER, 3/8" X 1 1/4"	2
13	11098-G6		LOCK NUT, 5/16 - 18.....	4
14	00753-G5		SCREW, 1/4 - 20 X 2" LG (STAINLESS STEEL).....	2
15	00753-G6		SCREW, 1/4 - 20 X 2 1/4" LG (STAINLESS STEEL).....	2
16	00559-G7		WASHER, 1/4"	8
17	75051-G01		SPACER	4
18	00891-G2		LOCK NUT, 1/4 - 20.....	4
19	19853-G1		END CAP, 1"	2
20				
21	19528-G2		REAR VIEW MIRROR KIT	1
22	19496-G1		REAR VIEW MIRROR	1
23	19502-G2		SUPPORT BRACKET.....	1
24	19527-G1		SCREW, #8 - 32 X 5/8" LG (STAINLESS STEEL).....	1
25				
26	75513-G01		WINDSHIELD KIT, (GOLF CAR).....	1
27	*		WINDSHIELD	1
28	EGWHC12		SASH, 26" LG.....	2
29	EGWHS12		SCREW, 1/4 - 20 X 1 3/4"LG (STAINLESS STEEL).....	2.
30	EGWHW12		WASHER, 1/4" (STAINLESS STEEL).....	4

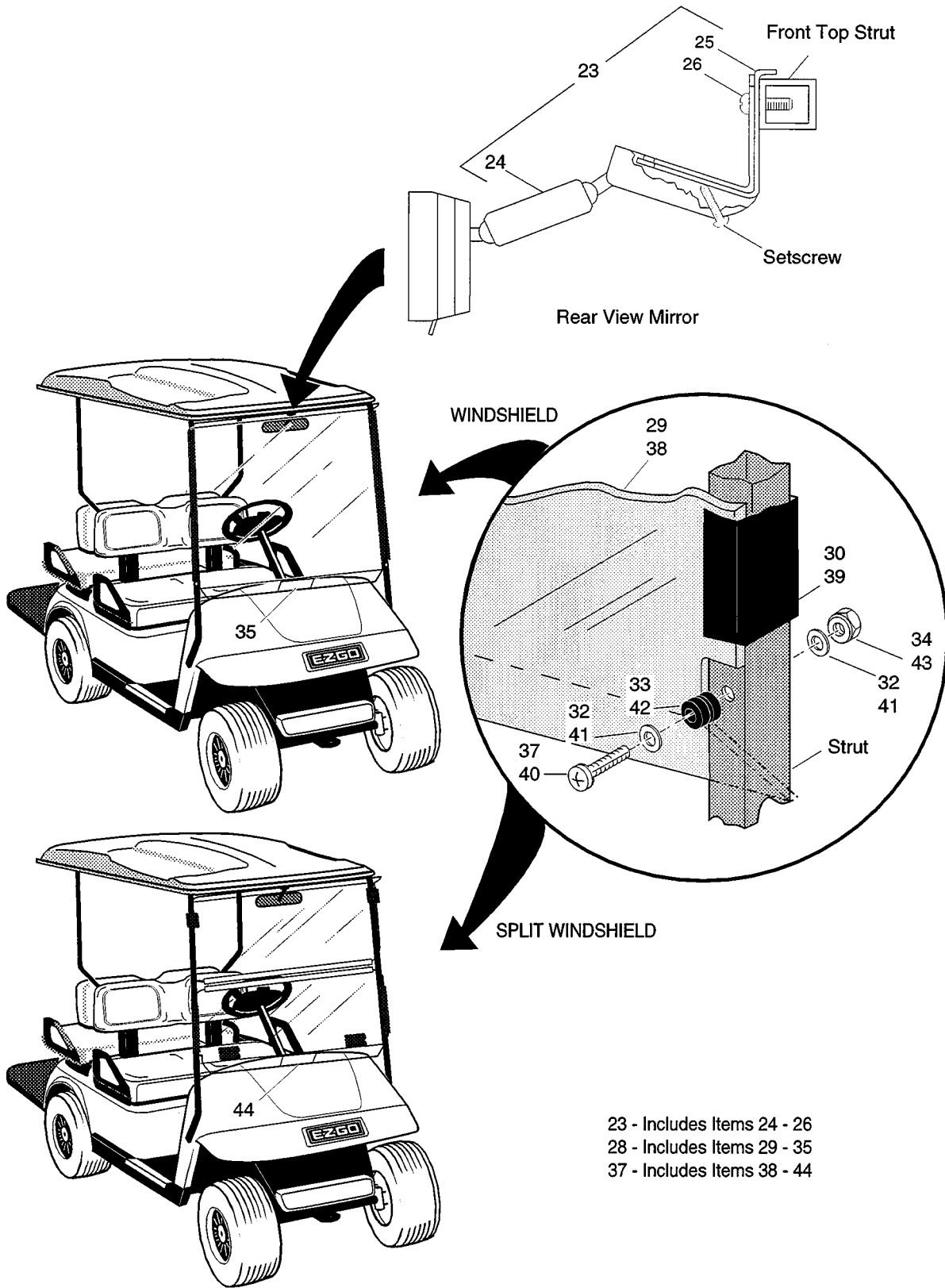
Replacement parts for the windshield may be obtained from Eagle Parts, Inc. 1811 Wilkinson Rd. Augusta, GA 30904. Telephone (706) 729-9911 or FAX (706) 729-0055

* Indicates a component that is not available as an individual part.

G** Indicates consult Customer Service Department for additional information.

ITEM	PART NO.	1	2	3	4	5	DESCRIPTION	QTY.
31	EGWHG13						RUBBER GROMMET	2
32	EGWHN12						LOCK NUT, 1/4 - 20 (STAINLESS STEEL)	2
33	EGWHL-14						LABEL (SAFETY)	1
34								
35	75514-G01						WINDSHIELD KIT, SPLIT SCREEN (GOLF CAR)	1
36	*						WINDSHIELD	1
37	EGWHC10						SASH, 12" LG.	2
38	EGWHS12						SCREW, 1/4 - 20 X 1 3/4" LG (STAINLESS STEEL)	2.
39	EGHWH12						WASHER, 1/4" (STAINLESS STEEL)	4
40	EGWHG13						RUBBER GROMMET	2
41	EGWHN12						LOCK NUT, 1/4 - 20 (STAINLESS STEEL)	2
42	EGWHL-14						LABEL (SAFETY)	1
43								
44	75078-G01						WEATHER ENCLOSURE (3 SIDED) RECOMMENDED FOR VEHICLES WITH WINDSHIELDS	1
45	75079-G01						WEATHER ENCLOSURE (4 SIDED) RECOMMENDED FOR VEHICLES WITHOUT WINDSHIELDS	1
46								
47	75191-G01						BAG COVER AND RAIN CURTAIN KIT	1





- 23 - Includes Items 24 - 26
- 28 - Includes Items 29 - 35
- 37 - Includes Items 38 - 44

WEATHER PROTECTION, 4 CADDY**Electric Vehicle**

Replacement parts for the windshield may be obtained from Eagle Parts, Inc. 1811 Wilkinson Rd. Augusta, GA 30904. Telephone (706) 729-9911 or FAX (706) 729-0055

* Indicates a component that is not available as an individual part.

G** Indicates consult Customer Service Department for additional information.

ITEM	PART NO.	1 2 3 4 5	DESCRIPTION	QTY.
1	75123-G01		SUN TOP (4 CADDY) (INCLUDES ITEMS 2 - 20)	1
2	75074-G01		REAR STRUT (DRIVER SIDE).....	1
3	75074-G02		REAR STRUT (PASSENGER SIDE)	1
4	00665-G5		BOLT, 3/8 - 16 X 1 3/4" LG.....	4
5	00679-G1		WASHER, 3/8	18
6	00771-G5		WASHER, 3/8	4
7	00891-G5		LOCK NUT, 3/8 - 16.....	10
8	19853-G1		END CAP, 1"	2
9	75125-G01		FRONT STRUT	1
10	71056-G03		BOLT, 5/16 - 18 X 2 1/8" LG.....	4
11	00905-G8		LOCK WASHER, 5/16"	4
12	75048-G01		SPACER, 1/2"	2
13	00879-G1		WASHER, 3/8"	4
14	27604-G01		SUN TOP	1
15	00674-G8		BOLT, 3/8 - 16 X 5" LG.....	2
16	18716-G1		SPACER.....	2
17	00653-G1		WASHER, 3/8" (STAINLESS STEEL).....	2
18	00665-G3		BOLT, 3/8 - 16 X 2 1/2" LG (STAINLESS STEEL).....	2
19	00665-G6		BOLT, 3/8 - 16 X 2" LG.....	2
20	24647-G1		SPACER, 1/4"	2
21				
22				
23	19528-G2		REAR VIEW MIRROR KIT (INCLUDES ITEMS 24 - 26)	1
24	19496-G1		REAR VIEW MIRROR	1
25	19502-G2		SUPPORT BRACKET.....	1
26	19527-G1		SCREW, #8 - 32 X 5/8" LG (STAINLESS STEEL).....	1
27				
28	75513-G02		WINDSHIELD KIT, (4 CADDY) (INCLUDES ITEMS 29 - 35)	1
29	*		WINDSHIELD	1
30	EGWHC12		SASH, 26" LG.	2

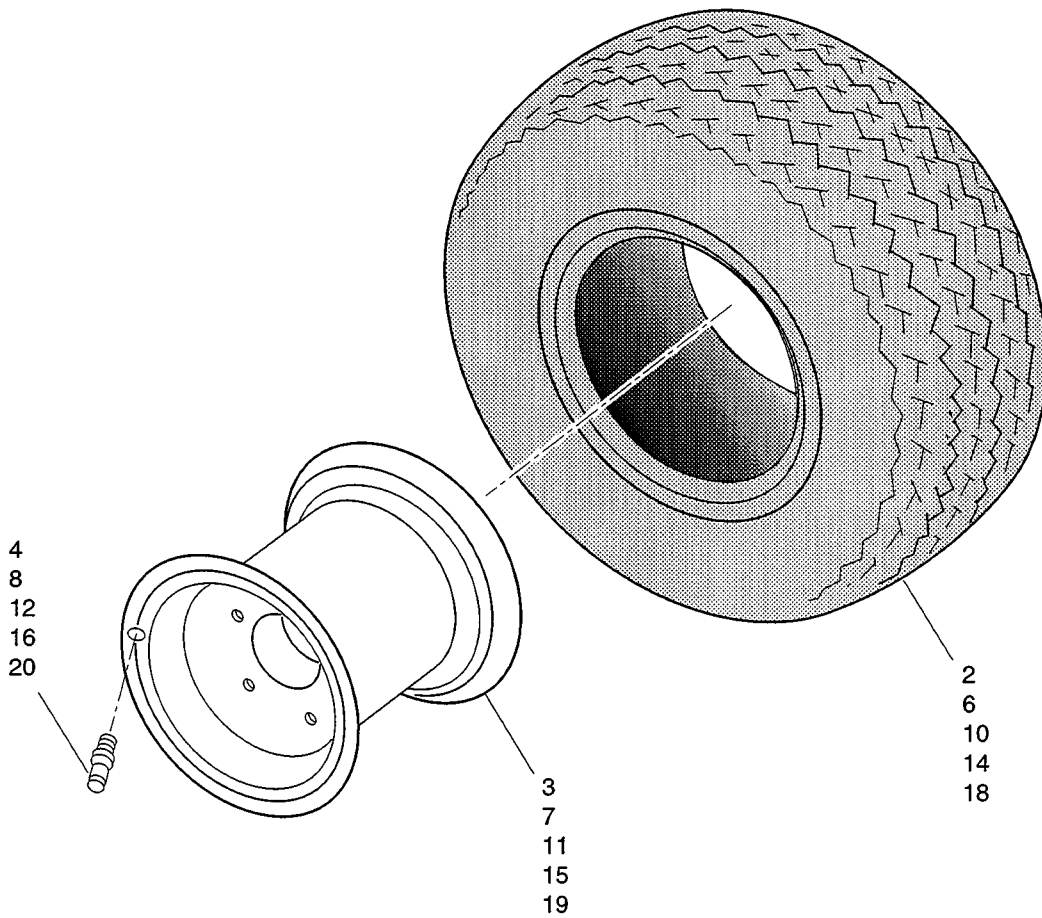
Replacement parts for the windshield may be obtained from Eagle Parts, Inc. 1811 Wilkinson Rd. Augusta, GA 30904. Telephone (706) 729-9911 or FAX (706) 729-0055

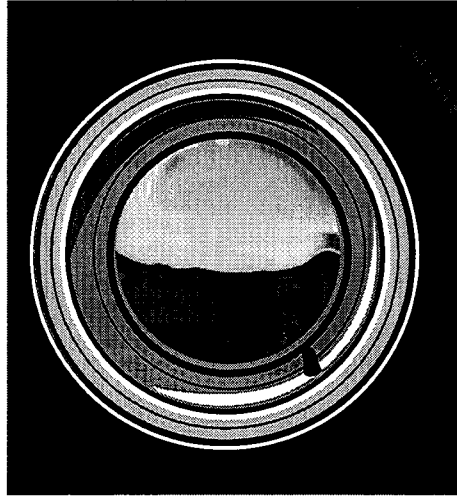
* Indicates a component that is not available as an individual part.

G** Indicates consult Customer Service Department for additional information.

ITEM	PART NO.	1 2 3 4 5	DESCRIPTION	QTY.
31	EGWHS12		SCREW, 1/4 - 20 X 1 3/4"LG (STAINLESS STEEL).....	2.
32	EGWHW12		WASHER, 1/4" (STAINLESS STEEL).....	4
33	EGWHG13		RUBBER GROMMET	2
34	EGWHN12		LOCK NUT, 1/4 - 20 (STAINLESS STEEL).....	2
35	EGWHL-14		LABEL (SAFETY)	1
36				
37	75514-G02		WINDSHIELD KIT, SPLIT SCREEN (4 CADDY) (INCLUDES ITEMS 38 - 44)	1
38	*		WINDSHIELD	1
39	EGWHC10		SASH, 12" LG.....	2
40	EGWHS12		SCREW, 1/4 - 20 X 1 3/4"LG (STAINLESS STEEL).....	2.
41	EGWHW12		WASHER, 1/4" (STAINLESS STEEL).....	4
42	EGWHG13		RUBBER GROMMET	2
43	EGWHN12		LOCK NUT, 1/4 - 20 (STAINLESS STEEL).....	2
44	EGWHL-14		LABEL (SAFETY)	1

- 1 - Includes Items 2-4
- 5 - Includes Items 6-8
- 9 - Includes Items 10-12
- 13 - Includes Items 14-16
- 17 - Includes Items 18-20

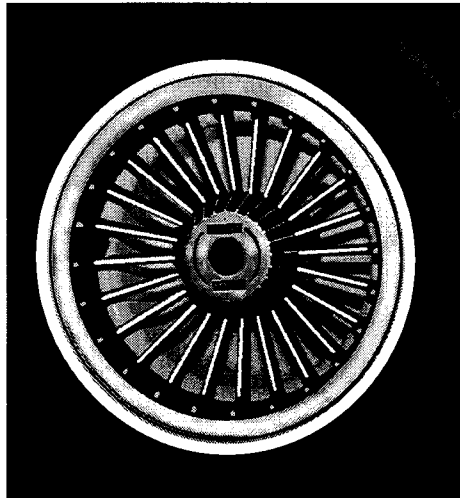




6" CHROME HUBCAP
23



8" CHROME HUBCAP
22



GOLD / SILVER SPOKE HUBCAP
24
25

WHEELS AND TIRES

Electric Vehicle

When ordering parts, please specify the model and serial number of the product.

* Indicates a component that is not available as an individual part.

G** Indicates consult Customer Service Department for additional information.

ITEM	PART NO.	1 2 3 4 5	DESCRIPTION	QTY.
1	27772-G09		TIRE AND WHEEL ASSEMBLY (LINKS 1 18 X 8.5 - 8) (INCLUDES ITEMS 2-4).....	AR
2	27772-G10		LINKS 1 CARLISLE TIRE, 18 X 8.5 - 8.....	AR
3	15169-G1		WHEEL RIM (4 LUG).....	AR
4	11657-G1		VALVE STEM.....	AR
5	27772-G03		WHEEL AND TIRE ASSEMBLY (TURF SAVER 18 X 8.5 - 8) (INCLUDES ITEMS 6-8).....	AR
6	27772-G07		CARLISLE TIRE (TURF SAVER 18 X 8.5 - 8).....	AR
7	15169-G1		WHEEL RIM (4 LUG).....	AR
8	11657-G1		VALVE STEM.....	AR
9	27775-G01		WHEEL AND TIRE ASSEMBLY (USA TRAIL 6-PLY 18.5 X 8.5 - 8) (INCLUDES ITEMS 10-12).....	AR
10	27775-G02		CARLISLE TIRE (USA TRAIL, 6 PLY 18 X 8.5 - 8).....	AR
11	15169-G1		WHEEL RIM (4 LUG).....	AR
12	11657-G1		VALVE STEM.....	AR
13	27772-G02		WHEEL AND TIRE ASSEMBLY (TURF GLIDE 18 X 8.5 - 8) (INCLUDES ITEMS 14-16).....	AR
14	27772-G06		CARLISLE TIRE (TURF GLIDE 18 X 8.5 - 8).....	AR
15	15169-G1		WHEEL RIM (4 LUG).....	AR
16	11657-G1		VALVE STEM.....	AR
17	27772-G04		WHEEL AND TIRE ASSEMBLY (FAIRWAY 18 X 8.5 - 8) (INCLUDES ITEMS 18-20).....	AR
18	27772-G08		CARLISLE TIRE (FAIRWAY 18 X 8.5 - 8).....	AR
19	15169-G1		WHEEL RIM (4 LUG).....	AR
20	11657-G1		VALVE STEM.....	AR
21				
22	14913-G**		8" CHROME HUBCAP (OPTIONAL).....	AR
23	16042-G**		6" CHROME HUBCAP (OPTIONAL).....	AR
24	19241-G**		GOLD SPOKE HUBCAP (OPTIONAL).....	AR
25	19241-G**		SILVER SPOKE HUBCAP (OPTIONAL).....	AR



SPECIALTY PRODUCTS

SPECIALTY PRODUCTS

SPECIALTY PRODUCTS

SPECIAL TOOLS

Part No.

BATTERY SET DISCHARGER, 36 VOLT, 75 AMP	28251-G01
BATTERY MAINTANANCE KIT.....	25587-G01
CURRENT INDICATOR	16489-G2
DIGITAL MULTI-METER	27481-G01
CRIMPING TOOL	27765-G01
SLIDE HAMMER (AXLE/HUB REMOVAL).....	15947-G1
SLIDE HAMMER (AXLE REMOVAL ONLY).....	18753-G1

PAINT

HUNTER GREEN - TOUCH-UP PEN.....	28432-G02
CHAMPAGNE BEIGE - TOUCH-UP PEN.....	28432-G01
HUNTER GREEN - 12 OZ. AEROSOL.....	28140-G09
CHAMPAGNE BEIGE - 12 OZ. AEROSOL.....	28140-G15

PERFORMANCE PRODUCTS

FORMULA 40 VINYL-COAT® - WHITE	28166-G01
“PLEXUS”® CLEANER, 7 OZ. (FOR WINDSHIELDS)	28433-G01
“PLEXUS”® CLEANER, 13 OZ. (FOR WINDSHIELDS).....	28433-G02
BATTERY PROTECTOR, 14 OZ AEROSOL	75500-G01
CARBURETOR & CHOKE CLEANER, 15 OZ AEROSOL	75501-G01
WHITE LITHIUM GREASE, 14 OZ AEROSOL.....	75502-G01
PENETRANT/LUBRICANT, 15 OZ AEROSOL.....	75503-G01
MULTI-PURPOSE CLEANER & DEGREASER, 14 OZ AEROSOL	75504-G01
MULTI-PURPOSE HAND CLEANER, 32 OZ LIQUID.....	75505-G01
BATTERY CLEANER, 32 OZ W/TRIGGER SPRAYER.....	75506-G01
BIODEGRADABLE CLEANER, 32 OZ W/TRIGGER SPRAYER	75507-G01
MULTI-PURPOSE VALUE PACK	75508-G01
• BATTERY PROTECTOR, 4 OZ AEROSOL	• WHITE LITHIUM GREASE, 4 OZ AEROSOL
• PENETRANT/LUBRICANT, 4 OZ AEROSOL	• CARBURETOR & CHOKE CLEANER, 4 OZ AEROSOL

ACCESSORIES

ACCESSORIES LISTING

ACCESSORIES

ACCESSORIES LISTING	KIT NO.	LOCATION IN MANUAL
SUN TOP KIT, GOLF CAR.....	75040-G01	See Weather Protection, Golf Car Section
SUN TOP KIT (4 CADDY ONLY).....	75123-G01	See Weather Protection, 4 Caddy Section
WINDSHIELD KIT, GOLF CAR.....	75513-G01	See Weather Protection, Golf Car Section
WINDSHIELD KIT, 4 CADDY ONLY.....	75513-G02	See Weather Protection, 4 Caddy Section
WINDSHIELD KIT, SPLIT, GOLF CAR	75514-G01	See Weather Protection, Golf Car Section
WINDSHIELD KIT, SPLIT, 4 CADDY ONLY	75514-G02	See Weather Protection, 4 Caddy Section
SAND RAKE	14735-G1	See Body and Associated Parts Section
TOW BAR KIT (PERMANENT USE)	75310-G01	See Tow Bar, Permanent Section
WEATHER ENCLOSURE (3 SIDED).....	75078-G01	See Weather Protection, Golf Car Section
WEATHER ENCLOSURE (4 SIDED).....	75079-G01	See Weather Protection, Golf Car Section
REAR VIEW MIRROR (REQUIRES SUN TOP).....	19528-G2	See Weather Protection, Golf Car Section
MESSAGE HOLDER KIT (REQUIRES SUNTOP).....	75094-G01	See Body and Associated Parts Section
HOURMETER.....	75114-G02	See Electrical Section
COOLER JUG / BRACKET KIT	75170-G01	See Body and Associated Parts Section
BAG COVER / RAIN CURTAIN KIT	75191-G01	See Weather Protection, Golf Car Section
ASHTRAY KIT.....	75109-G02	See Body and Associated Parts Section
URNSIGNAL KIT	75107-G02	See Electrical Section
SANDBOTTLE	75009-G01	See Body and Associated Parts Section
8" CHROME HUBCAP	14913-G*	See Wheels and Tires Section
6" CHROME HUBCAP	16042-G*	See Wheels and Tires Section
GOLD SPOKE HUBCAP	19241-G*	See Wheels and Tires Section
SILVER SPOKE HUBCAP.....	19241-G*.....	See Wheels and Tires Section
4-CADDY KIT	74150-G01	See Body and Associated Parts, Seating, 4 Caddy, and Rear Suspension Sections
CENTER BASKET	75003-G02	See Body and Associated Parts Section
SIDE BASKET	75007-G02	See Body and Associated Parts Section
TWO BAG ATTACHMENT.....	75183-G01	See Body and Associated Parts Section
CONVERTIBLE CARRIER KIT.....	75179-G*.....	See Body and Associated Parts, Seating-Convertible Carrier, and Rear Suspension Sections
4 BAG ATTACHMENT	75335-G01	See Body and Associated Parts Section



a **TEXTRON** Company

E-Z-GO Division of Textron Inc.

P.O. Box 388 Augusta, Georgia 30903-0388 USA

Inside USA Phone: 1-800-227-7029, FAX: 1-800-752-6175

Outside USA Phone: 010-1-706-798-4311, FAX: 010-1-706-771-4601

Copyrighted Material
This manual may not be reproduced in whole or
in part without the express permission of
E-Z-GO Division of Textron Inc.
Technical Communications Department