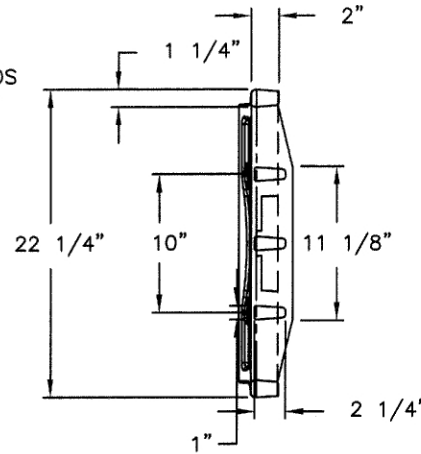
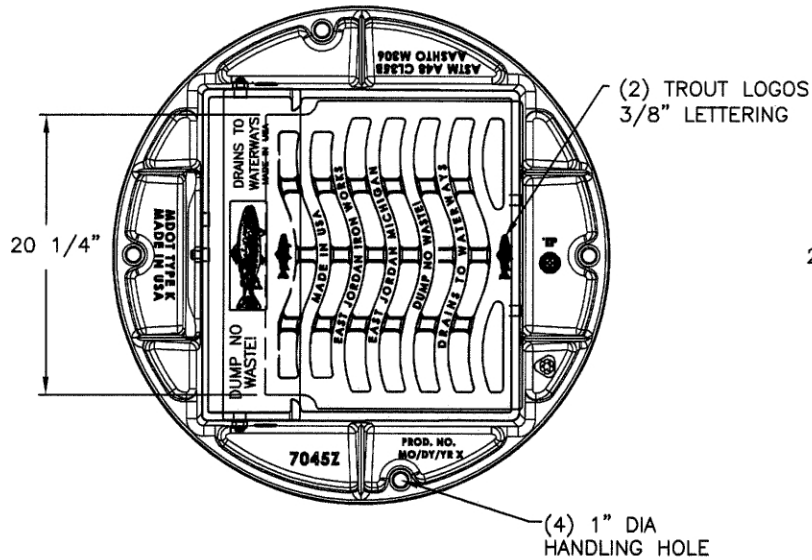
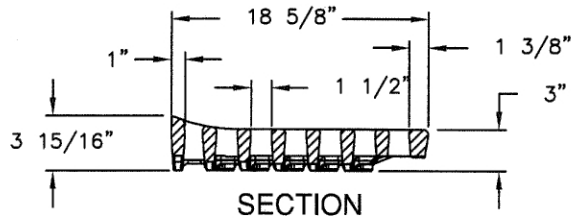


7045 Set

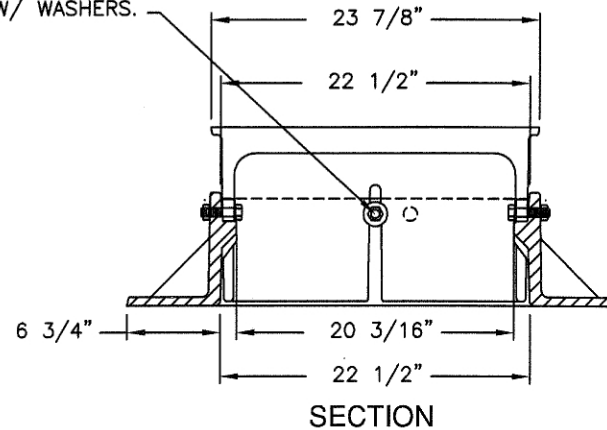
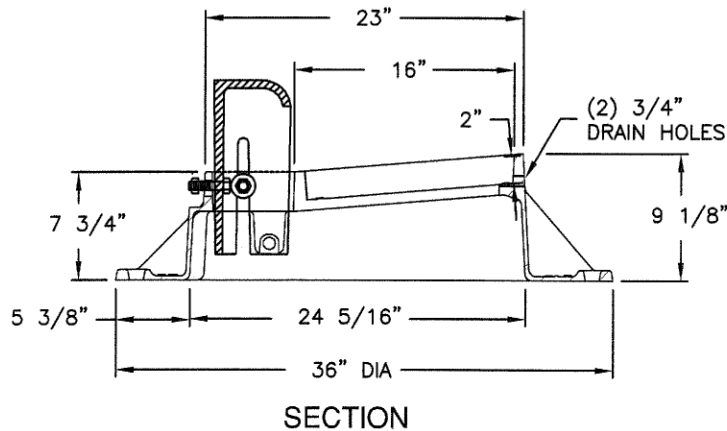


SECTION COMPONENT PARTS (UNIT IS NOT ASSEMBLED)



CURB ADJUSTABLE FROM
4" TO 10"

5/8"-11 x 2.5"
HX HD ZNC PLTD
BOLTS W/ WASHERS.



Product Number

00704530C01

Design Features

- Materials
 - Curb Inlet Frame
 - Gray Iron (CL35)
 - Grate
 - Gray Iron (CL35)
 - Hood
 - Gray Iron (CL35)

-Design Load

Heavy Duty

-Open Area

156 sq in

-Coating

Dipped

- Designates Machined Surface

Certification

- ASTM A48

- AASHTO M306

-Country of Origin: USA

Major Components

00704510

00704530

00705064

Drawing Revision

4/30/2009 Designer: JIJ

3/26/2012 Revised By: DJH

Disclaimer

Weights (lbs./kg) dimensions (inches/mm) and drawings provided for your guidance. We reserve the right to modify specifications without prior notice.

CONFIDENTIAL: This drawing is the property of EJ GROUP, Inc., and embodies confidential information, registered marks, patents, trade secret information, and/or know how that is the property of EJ GROUP, Inc. Copyright © 2011 EJ GROUP, Inc. All rights reserved.

Contact

800 626 4653

ejco.com