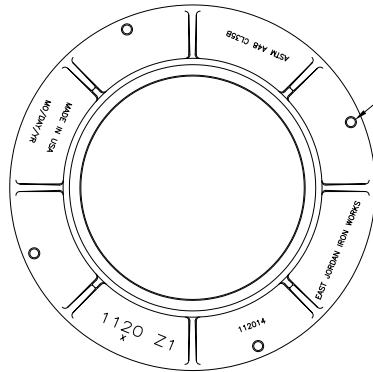


1120Z1 FR 7" 1120B HL12 CV SET MITYB

00112022C03



1120 Frame



(4) 7/8" DIA HOLES
EQUALLY SPACED ON
33 3/4" DIA B.C.

Product Number
00112014

Design Features

- Materials
- Gray Iron (CL35)
- Design Load
- Heavy Duty
- Open Area
- N/A
- Coating
- Dipped
- √ Designates Machined Surface

Certification

- ASTM A48
-
- Country of Origin: USA

Drawing Revision

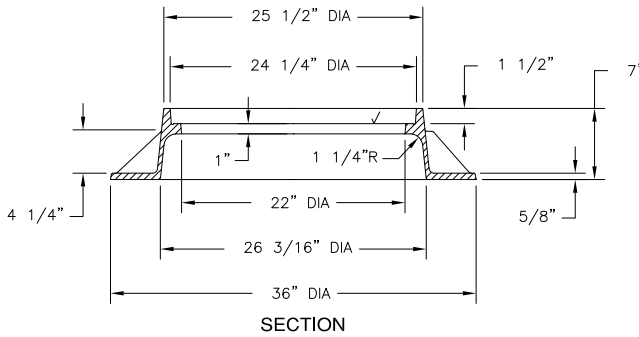
06/05/2002 Designer: DEW
05/02/2012 Revised By: SDC

Disclaimer

Weights (lbs/kg) dimensions (inches/mm) and drawings provided for your guidance. We reserve the right to modify specifications without prior notice.
CONFIDENTIAL: This drawing is the property of EJ GROUP, Inc. and embodies confidential information, registered marks, patents, trade secret information, and/or know how that is the property of EJ GROUP, Inc. Copyright © 2011 EJ GROUP, Inc. All rights reserved.

Contact

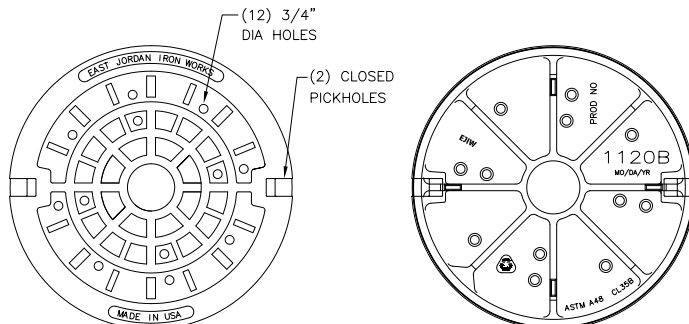
800 626 4653
ejco.com



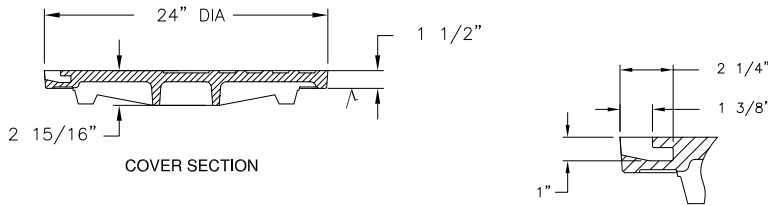
00112014

Quantity: 1

1120B COVER



BOTTOM VIEW



COVER SECTION

PRODUCT NUMBER

00112022

DESIGN FEATURES

MATERIALS
COVER-GRAY IRON
ASTM A48 CL35B

DESIGN LOAD
HEAVY DUTY

COATING
DIPPED

OPEN AREA
N/A

√ DESIGNATES MACHINE SURFACE

00112022

Quantity: 1

Disclaimer

Weight (lbs./kg), dimensions (inches/mm) and drawings provided for your guidance. We reserve the right to modify specifications without prior notices

CONFIDENTIAL: This drawing is the property of EJ GROUP, Inc. and embodies confidential information, registered marks, patents, trade secret information, and/or know how that is the property of EJ GROUP, Inc. Copyright © 2012 EJ GROUP, Inc. All rights reserved

Corporate Headquarters
301 Spring Street
PO Box 439
East Jordan, MI
49727-0439
800.874.4100



Call Today for More Information 800 626 4653 **EJ GROUP EAST JORDAN** www.ejgroup.com MADE IN THE USA

*Weights (lbs./kg) dimensions (inches/mm), and drawings provided for your guidance.
*We reserve the right to modify specifications without prior notice.
*Uncontrolled distribution.

CONFIDENTIAL: This drawing is the property of East Jordan Iron Works, Inc. and embodies confidential information, registered marks, trade secret information, and/or know how that is the property of East Jordan Iron Works, Inc. ©Copyright 2009 East Jordan Iron Works, Inc.

DRAWING DETAILS

ORIGINAL DRAWING: DEW 03/24/08

REVISED BY: DEW 08/18/10

Contact

800 626 4653
ejco.com