



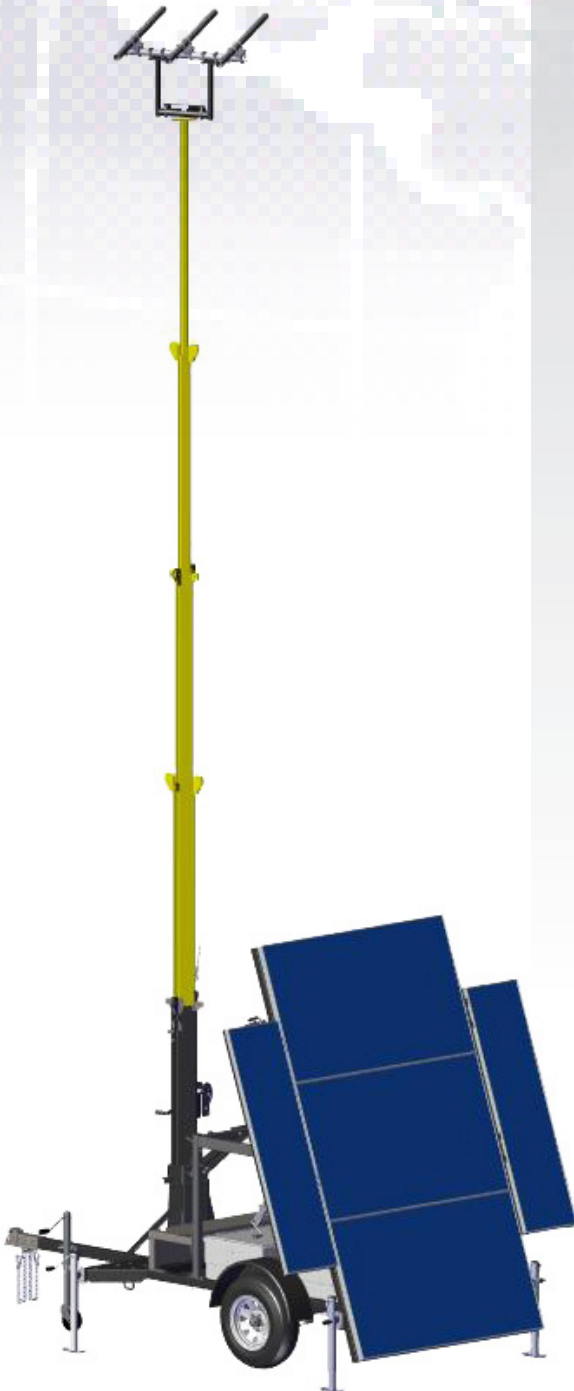
# CT6 Mobile Communications Trailer

## 600, 900, 1200 & 1500 Watt Models

*Experience Exponential Possibilities Delivered by AQUILA<sup>3</sup>*

### FEATURES

- > Custom engineered per load requirements
- > Solar budgeting per location criteria
- > Compact size for easy maneuvering
- > Easy to tow
- > Single person deployment
- > Vandal Resistant
- > Polyester Powder Coated components
- > Durable steel construction
- > 15" Wheels
- > 600, 900, 1200 or 1500 Watts Available
- > 2" Ball Hitch (Pintle Option)
- > T-Bar w/2" O.D. Poles for three antennas
- > Easy Disconnect switch for battery & solar
- > Maintenance Free AGM Batteries
- > 30' Mast w/Heavy Duty Hand Crank Winch
- > Tower Rotates 355 degrees from ground
- > Battery box accomodates 4 batteries



Fully Deployed Position



Folded / Travel Position

# CT6 Specifications / Options

## SPECIFICATIONS

### TRAILER CONSTRUCTION

- › Frame constructed of square & rectangular steel tubing
- › 3 Tie Down Loops
- › 3,500 lb High Capacity Axle
- › Double Leaf Spring
- › ST205/75D15 trailer tire
- › Full wheel coverage fenders
- › 16 Ga Steel
- › Polyester Powder Coating
- › 4 - 2,000 lb rated stabilizers
- › Rear trailer frame reflective tape (Red/White)

### DRAW BAR ASSEMBLY

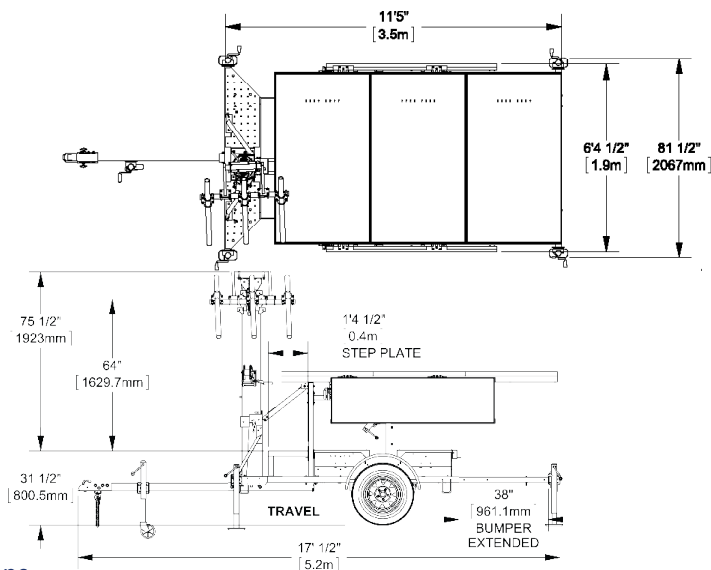
- › Straight tubular steel design, removal for shipping
- › Square Tubing 3" x 3/16" wall
- › Black Polyester Powder Coated
- › Extends 60" Beyond trailer frame
- › 2" Ball couple, SAE Class 2, 3,500 lb capacity
- › Proof coil tow chains w/latching hooks
- › Top-Wind swivel jacks, 2,000 lb capacity

### TOWER ASSEMBLY

- › 30' telescoping rotating (355°) mast
- › T-Bar w/2" OD Poles for 3 Antennas, adjustable angle

### WINCH

- › Hand winch raises mast to operating position
- › 1,500 lb (680kg) capacity
- › Safety friction brake prevents mast from falling
- › 1/4" dia. galvanized aircraft cable



Travel Positions

## OPTIONS

### POWER OPTIONS

- › 600, 900, 1200 or 1500 Watts Available
- › 2, 4, 6\* or 8\* - 200 Ahr AGM Batteries minimum
- › 2, 4\* or 6\* - 250 Ahr AGM Batteries minimum  
\*Second Battery Box for additional batteries
- › Fuel Cell
- › 24 VDC to 12 VDC Converter
- › Step up converter to 48 VDC available
- › External battery charger, 110 VDC to 24 VDC x 40A, includes smart charger
- › External DC power plug, direct connection to 24 VDC batteries

### SOLAR CONTROLLERS

- › 30 Amp Solar Controller
- › 40 or 60 Amp Solar Controller + LCD Meter + LVD

### ADDITIONAL ACCESSORIES

- › Conspicuity Reflective Tape - 10'
- › NEMA Enclosure (cannot be used with second bat. box)
- › Spare Tire & Carrier

### CONTROL BOX

- › Modular design enables ease of service
- › White Polyester Powder Coated
- › All cables clearly marked with black silkscreen

Deployed Position

