



# GOVERNOR

Line Pressure Regulators



**Pietro  
Fiorentini**®



# GOVERNOR

## Line Pressure Regulators

### Introduction

Pietro Fiorentini's GOVERNOR line of gas regulators are designed to comply with the latest CSA and international standards for regulators suitable for indoor and outdoor installations with no modifications.

The GOVERNOR family of regulators are ideal for a wide range of residential through large industrial applications. The materials and soft parts used in the construction of the GOVERNOR regulators make them suitable for use with natural gas, LPG, Propane air and other non-corrosive gases.

All GOVERNOR regulators are equipped with balanced valve design for improved high outlet pressure accuracy regardless of Inlet pressure variation. The double diaphragm with integral vent limiter provides added security. The external vent limiter reduces piping costs and the need for costly vent piping for indoor installations and complies with CSA guidelines.\* The number of high capacities and regulator options sometimes eliminates the need for separate units and significantly reduces installation costs.

### Safe, Reliable and High Performance

- Internal vent limiter: non removable, for indoor and outdoor installations.
- External vent limiter option for indoor installations.\*
- Double diaphragm for added safety and greater reliability of service.
- Balanced valve design gives you for increase capacity, high 500 to 1 turndown and stable regulation from low to high flow.
- Complete lockup in absence of gas flow, 100% bubble tight shutoff.

\* As Approved by Local Codes and Standards

\*\* Vent Limiters should be removed for outdoor installation \*\*



**STANDARD MODEL**

Inlet Pressure Range: 3" W.C. to 2 PSIG



**OVER PRESSURE DEVICE (OPD) MODEL**

Inlet Pressure Range: 7" W.C. to 5 PSIG



**OVER PRESSURE DEVICE (DC) MODEL**

Inlet Pressure Range: 3 PSIG to 10 PSIG



# GOVERNOR

## Line Pressure Regulators

# 2 PSIG

Standard Model



**Standard Model**  
Inlet Pressure Range: 3" W.C. to 2 PSIG

### Main Features

- CSA 6.22a-2005 ANSI Z21.80A2005 Class I for outlet pressures up to 14" W.C. Certified
- Integral Vent Limiter
- External Vent Limiter – no vent line required\*\*
- Positive 100% bubble tight llockup
- Inlet and Outlet test ports
- 500 to 1 Turndown

### Specifications

- Suitable for use with Natural Gas, LPG, and other non-corrosive, clean gas
- Inlet Pressure: 3" W.C. to 2 PSIG CSA approved SA Appr
- Max. Inlet 7.25 PSIG for non-CSA applications
- Outlet pressure: 2" W.C. to 14" W.C. and up to 4.25 PSIG for non-CSA applications
- Temperature range: -40°F to 150°F
- Connections: 1/2" thru 4"
- Maximum Emergency Inlet Exposure Pressure: 80 PSIG
- Suitable for Indoor or Outdoor Installation



### Vent Sizes

- 1/4" NPT 1/2" – 1"
- 1/2" NPT 1 1/4" – 4"

### Outlet Spring Range

- Green 2" W.C. to 5.1" W.C.\*
- Red 2.75" W.C. to 7.87" W.C.\*
- White 4" W.C. to 11.8" W.C.\*
- Black 6" W.C. to 14" W.C.\*
- Yellow 9.8" W.C. to 27.5" W.C.
- Violet 23.6" W.C. to 59" W.C. or 0.85 to 2.13 PSIG
- Orange 55" W.C. to 118" W.C. or 2 to 4.26 PSIG

\*Spring is CSA outlet pressure certified

**\*\*As Approved by Local Codes and Standards**

CAPACITY IN CFH FOR .60 SPECIFIC GRAVITY GAS

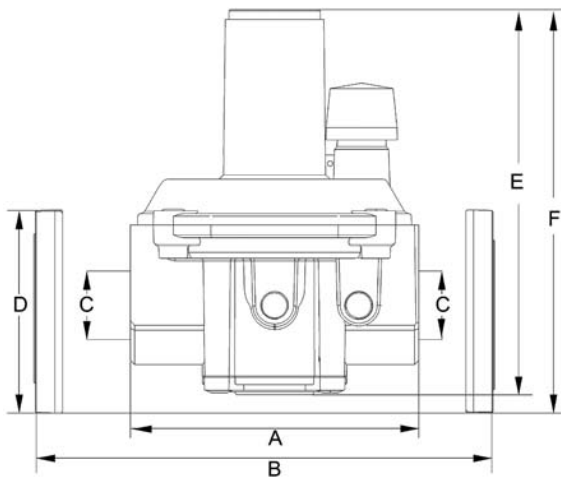
	Outlet Pressure Set Point		Operating Inlet Pressure	
	8" W.C.	11" W.C.	1 PSIG	2 PSIG
<b>30051 ½"</b>	8" W.C.	386	635	928
	11" W.C.	297	628	928
	14" W.C.		1 PSIG	2 PSIG
<b>30052 ¾"</b>	8" W.C.	386	848	1,155
	11" W.C.	297	778	1,155
	14" W.C.		1 PSIG	2 PSIG
<b>30053 1"</b>	8" W.C.	386	1,059	1,501
	11" W.C.	297	974	1,501
	14" W.C.		1 PSIG	2 PSIG
<b>30150 ½" High Capacity</b>	8" W.C.	891	1,695	2,205
	11" W.C.	656	1,471	2,205
	14" W.C.		1 PSIG	2 PSIG
<b>30151 ¾" High Capacity</b>	8" W.C.	1,125	2,084	2,785
	11" W.C.	829	1,858	2,785
	14" W.C.		1 PSIG	2 PSIG
<b>30152 1" High Capacity</b>	8" W.C.	1,337	2,437	3,308
	11" W.C.	985	2,206	3,308
	14" W.C.		1 PSIG	2 PSIG
<b>30153 1¼"</b>	8" W.C.	3,189	5,297	7,891
	11" W.C.	2,349	5,264	7,891
	14" W.C.		1 PSIG	2 PSIG
<b>30154 1½"</b>	8" W.C.	3,330	5,650	8,240
	11" W.C.	2,453	5,496	8,240
	14" W.C.		1 PSIG	2 PSIG
<b>30155 2"</b>	8" W.C.	6,097	10,947	15,087
	11" W.C.	4,491	10,064	15,087
	14" W.C.		1 PSIG	2 PSIG
<b>30156/F 2½"</b>	8" W.C.	7,487	13,497	19,166
	11" W.C.	5,319	12,484	19,238
	14" W.C.		1 PSIG	2 PSIG
<b>30157/F 3"</b>	8" W.C.	9,676	16,810	23,202
	11" W.C.	7,451	15,715	23,202
	14" W.C.		1 PSIG	2 PSIG
<b>30158/F 4"</b>	8" W.C.	16,951	29,452	40,612
	11" W.C.	13,066	27,545	40,612
	14" W.C.		1 PSIG	2 PSIG

Recommended for no more than 80% slated capacity, for optimal performance. For additional sizing, visit [www.gasinside.com](http://www.gasinside.com)  
www.GasInside.com • 888.618.8787

# GOVERNOR Standard Model - Dimensions

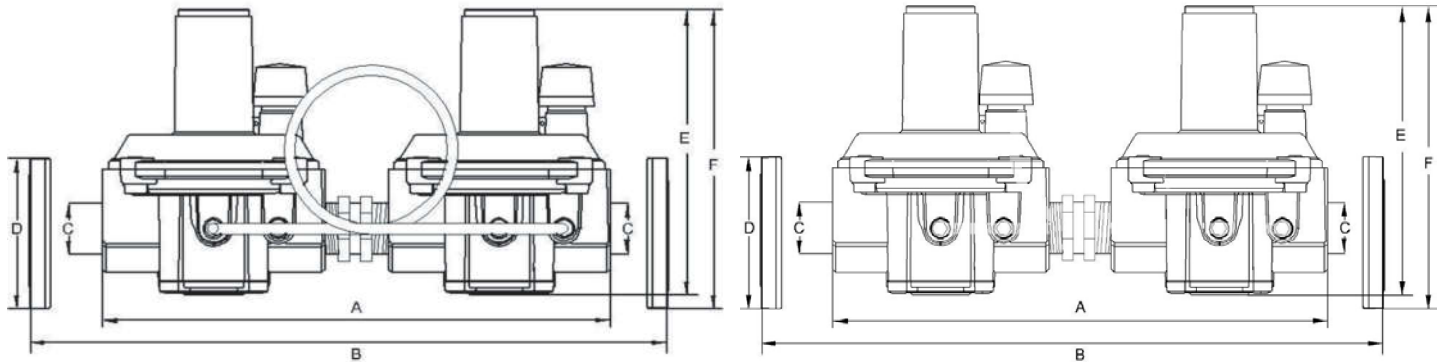


## DIMENSIONS (IN INCHES)



Model #	Size	A	B	C	D	E	F	Weight (Lbs)
30051	1/2" NPT	4.12 4.45 w/Filter	-	1/2	-	5.59	-	1.54
30052	3/4" NPT	4 4.29 w/Filter	-	3/4	-	5.59	-	1.54
30053	1" NPT	4 4.29 w/Filter	-	1	-	5.59	-	1.54
30150	1/2" NPT	5.43	-	1/2	-	6.89	-	2.75
30151	3/4" NPT	5.28	-	3/4	-	6.89	-	2.75
30152	1" NPT	5.28	-	1	-	6.89	-	2.75
30153	1 1/4" NPT	7.64	-	1 1/4	-	10	-	7.5
30154	1 1/2" NPT	7.64	-	1 1/2	-	10	-	7.5
30155	2" NPT	9.29	-	2	-	12.44	13.74	12.34
30156/F	2 1/2" FLANGED	-	16.9	3	ANSI 150	-	17.09	27.56
30157/F	3" FLANGED	-	16.9	3	ANSI 150	-	17.09	27.56
30158/F	4" FLANGED	-	16.9	4	ANSI 150	-	19.76	27.56

# GOVERNOR Over Pressure Device (OPD) Model & Dual Cut (DC) Model - Dimensions



## DIMENSIONS (IN INCHES)

Model #	Size	A	B	C	D	E	F	Weight (Lbs)
30051	1/2" NPT	8.86	-	1/2	-	5.59	-	3.25
30052	3/4" NPT	8.86	-	3/4	-	5.59	-	3.25
30053	1" NPT	8.86	-	1	-	5.59	-	3.25
30150	1/2" NPT	11.22	-	1/2	-	6.89	-	5.75
30151	3/4" NPT	11.22	-	3/4	-	6.89	-	5.75
30152	1" NPT	11.22	-	1	-	6.89	-	5.75
30153	1 1/4" NPT	16.61	-	1 1/4	-	10	-	15.5
30154	1 1/2" NPT	16.61	-	1 1/2	-	10	-	15.5
30155	2" NPT	19.88	-	2	-	12.44	13.74	25
30156/F	2 1/2" FLANGED	-	33.93	3	ANSI 150	-	17.09	56
30157/F	3" FLANGED	-	33.93	3	ANSI 150	-	17.09	56
30158/F	4" FLANGED	-	33.93	4	ANSI 150	-	19.76	56

## Warranty Policy

The Seller undertakes to remedy any defects, lack of quality or non-conformity of the goods contract for which he is responsible, provided such defects have been notified in accordance within 10 (ten) days from the occurrence. The Seller may either repair or replace the goods which have shown to be defective.

In case of repair, request to return product(s) for repair must be pre-approved in writing by our Sales Department. The product(s) shall be returned pre-paid to Pietro Fiorentini USA.

Seller is not responsible for defects due to: natural wearing, Buyer's inexperience, negligence, tampering or wrong assemblage, overcome of limits conditions, non authorized intervention, force majeure or fault of the Buyer. The duration of the guarantee is twenty four months from delivery of goods.

The present warranty is not enforceable in case of lack of payment in the agreed terms. It is agreed that the obligation to repair or replace the defective goods is in lieu of any other legal guarantee or liability of the Seller, whether contractual or non-contractual, which may arise out of or in relation with the goods supplied (e.g. compensation of damages, loss of profit, recall campaigns, etc.). For goods that have been purchased from sub-suppliers, the warranty guarantee granted by them is herewith extended to the Buyer.

### Materials

- Body & Cover: Aluminum Alloy
- External Coatings: Polyurethane paint on request
- Diaphragm, O Rings & Valve: Nitrile Rubber
- Diaphragm Pan: Aluminized Steel