

Vertical Wall Bed with Table

Pre- Instruction Guide

Before installing accessories, be sure to connect the cabinet to the wall

Before Installing the parts of the bed, make sure you have connected the cabinet to the wall, using the fixings provided.

Check diagonal cross section of the cabinet to see if the cabinet is square see picture on left.

Install the fixed plates on either side: these are divided into left and right, using the 20mm long screws, before screwing them to the sides, please mark according to the size using a hole opener (25mm drill bit) of a depth of 17mm. Refer to drawing (Figure 2)

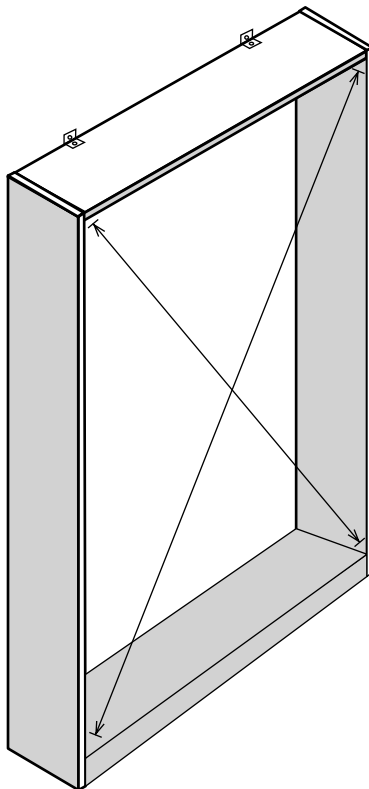
Installing the cabinet panel: Screw the bed frame to the panel, then install the mattress straps, connect the two corners of the straps at 45-degree angle at the end of the bed and connect them to the bed surface with screws. After the mattress has been put in, pull it out and hook it to the corners of the mattress. The bottom of the bed frame is flush (Please be aware when installing the panel put the mattress on the end of the bed as the weight will help keep the mechanism down, if you don't add the weight while fixing, the bed door will lift up)

Install the bed frame: (Please also note if the room is small you may want to install the feet see Step 3-5) lift the bed frame inside the cabinet then tighten the big hexagon socket screw (fixed with a 45mm long screw)

Install the bed feet mechanism: push the mechanism into the square tubes on both sides. When the room is relatively small, please install the two feet linkage supports before the bed frame is installed in the cabinet.

After the feet are installed, use screws to connect. Install the booster air support (gas strut) please pay attention to the pressure in (Kilograms on the label) the small connector should be facing downward. Make sure both sides are installed symmetrically; the distance between the two columns is not enough, the end of the bed can be lifted, then it can be fitted in. After fixing, press down on the bed and the iron cover will come out naturally, then press the end of the bed with the mattress. Otherwise the weight of the side will be unbalanced, and the bed frame will be automatically recovered.

Then finally install the mattress stopper catch.



Important please read before

iBedz space saving furniture

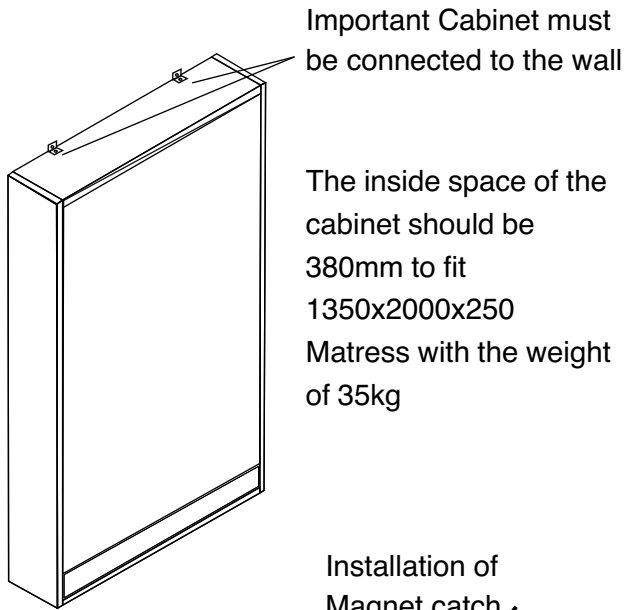
ibedzspacesaving@gmail.com



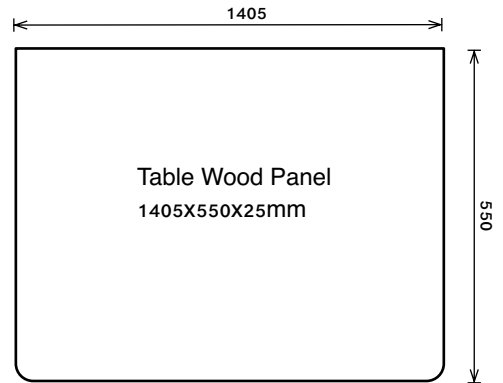
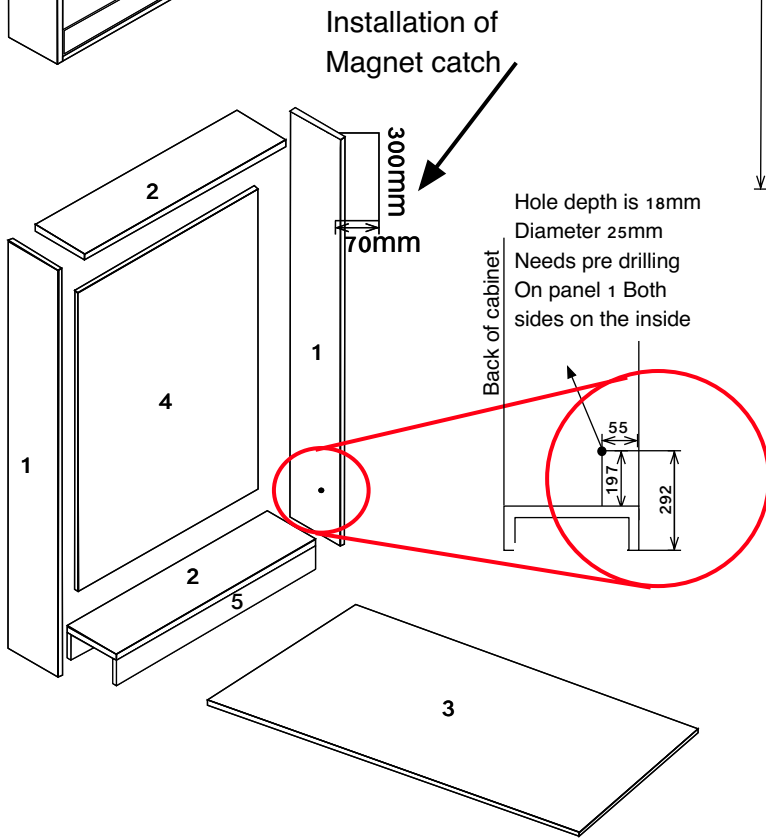
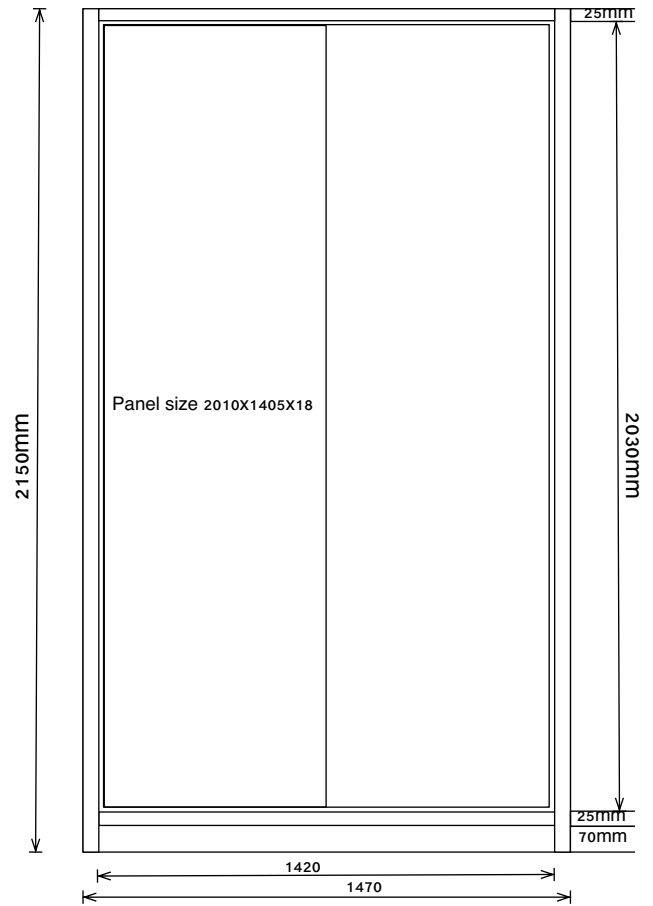
iBedz.co.uk

iBedz have had these specifically designed for the UK market, these instructions have been translated, so the terminology may differ slightly, if you have any suggestions please free to the email them in.

UK Double 1350x2000mm Vertical Wall Bed with Table



The inside space of the cabinet should be 380mm to fit 1350x2000x250 Mattress with the weight of 35kg



Cabinet completion drawing 25mm Board

Order list

QTY

1) Left & right panels 2150x400x25mm

2

2) Top & Bottom panels 970x400x25mm

2

3) Door Panel 2010x955x25mm

1

4) Back panel 2030x970x25mm

1

5) Foot line 970x70x25mm

2

6) Table wood Panel 1405x550x25mm

1

iBedz space saving furniture

Cabinet exploded view

Handle is personal preference

Back panel can be split into two

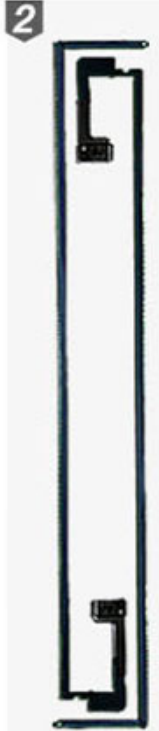


iBedz.co.uk



1

Bed Frame



2

Support Legs



3

Pistons/Air Cylinder



4

Mounting Bracket



5

Bracket Shield



6

Expansion Bolt



7

Mattress Stop Block



8

Allen Wrench



9

Lockbolt



10

Pivot Shoulder Bolt



11

Shoulder Bolt



12

Self-Tapping Screw



13

Mattress Strap



14

L-Shape Corner Bracket



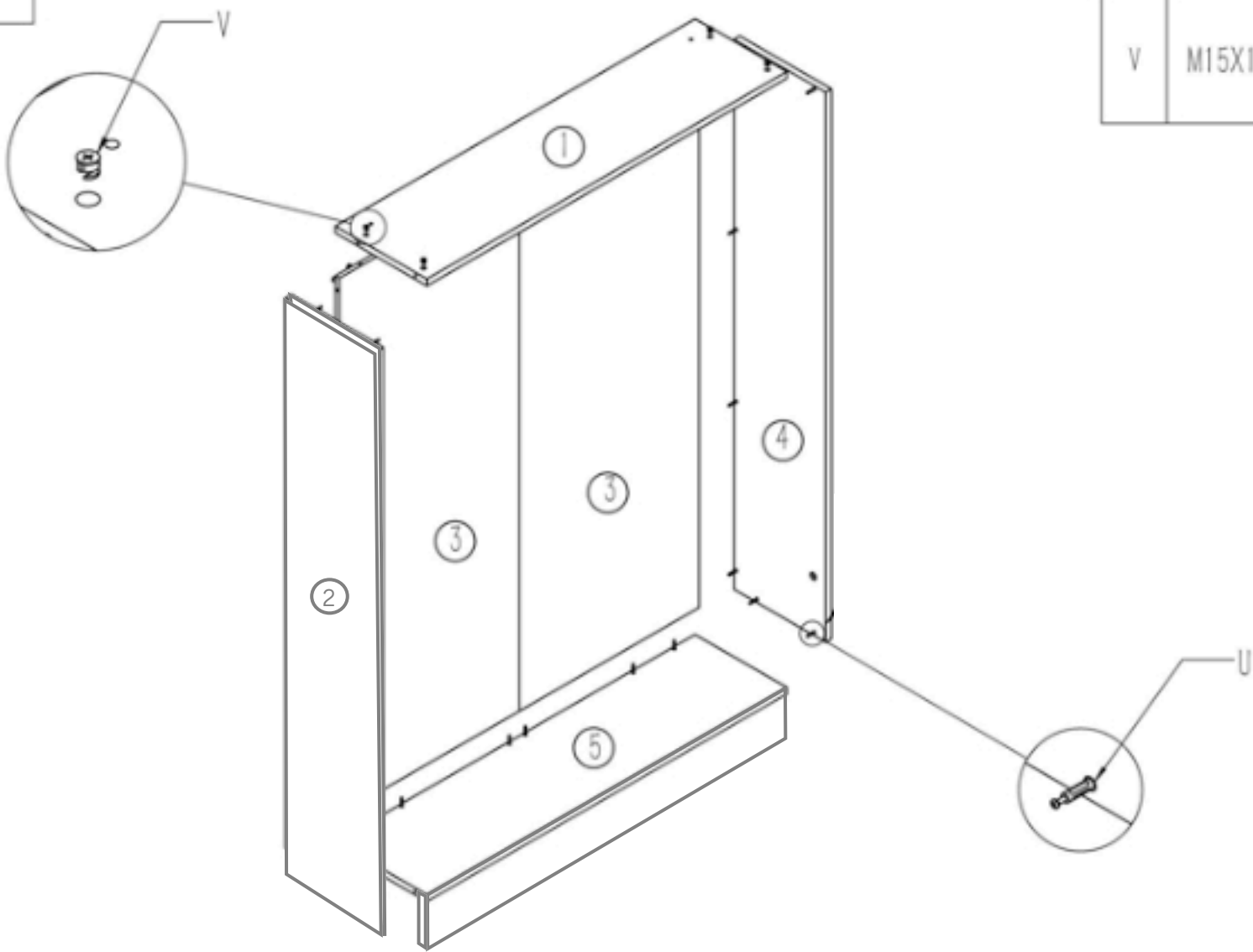
15

Mattress Support Board



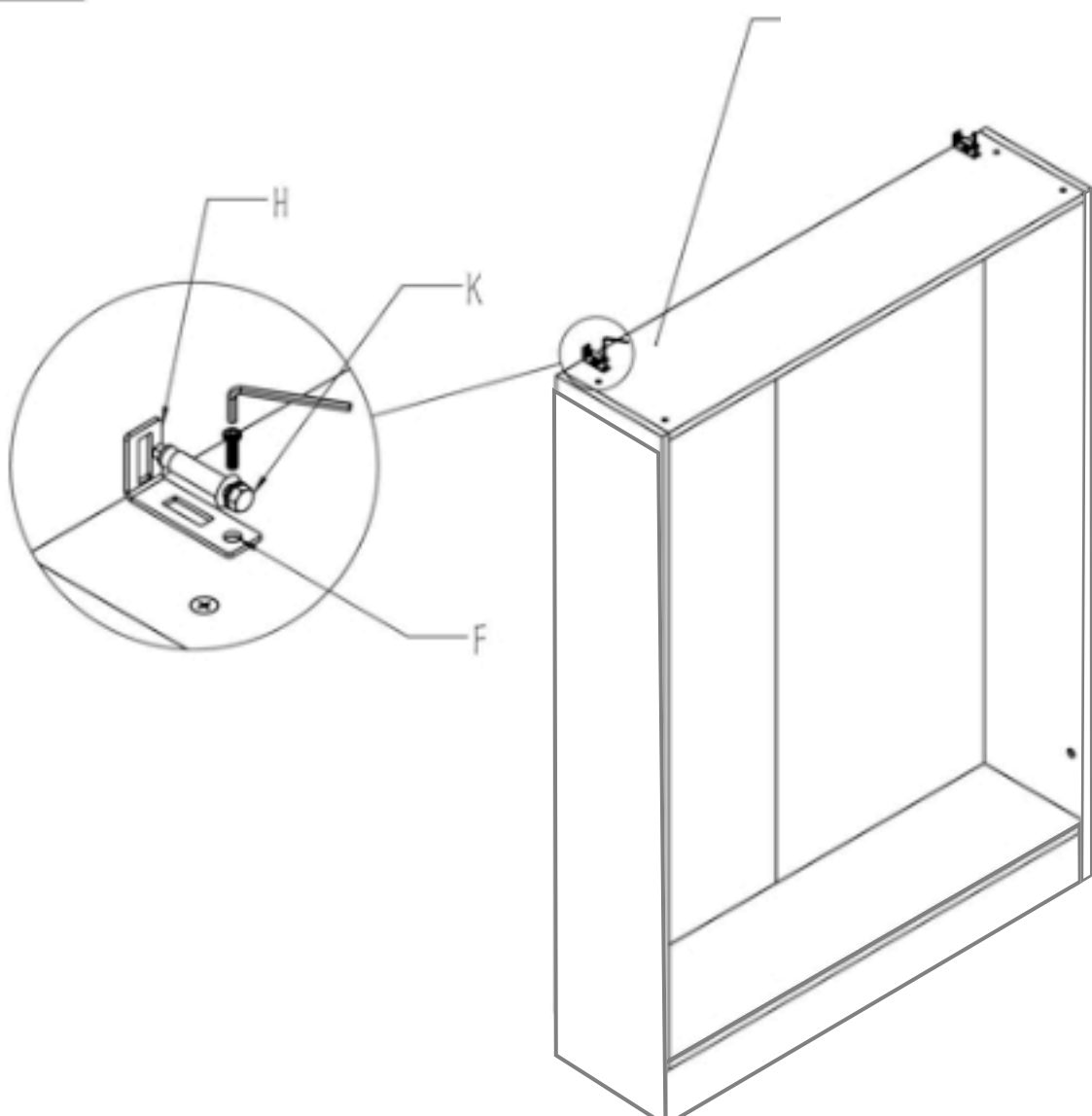
16




1



U	M6X35		28
V	M15X12		28

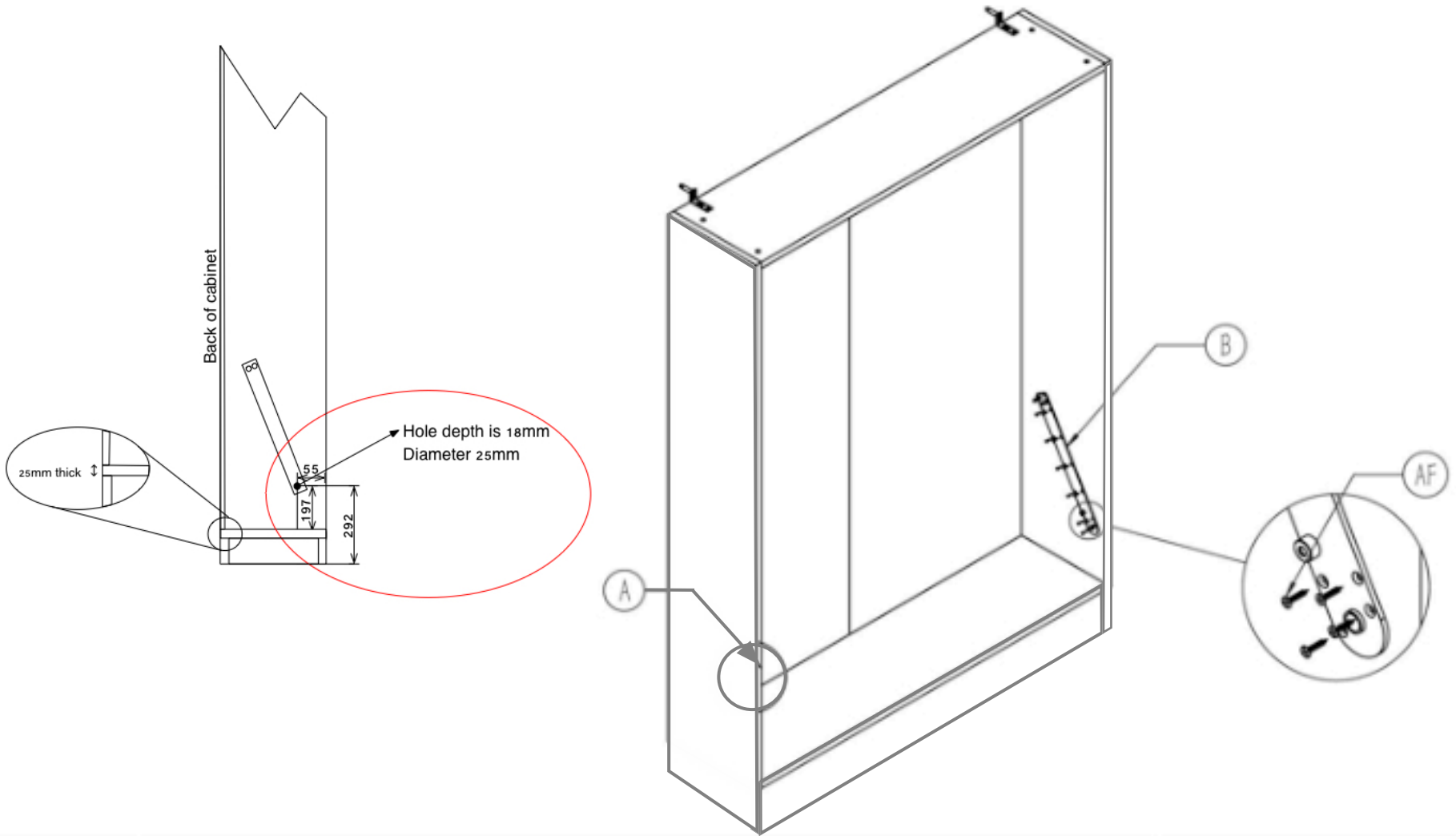
2



F	40x80x25		2
K	M8X100		2
S	M6x20		2
T	M6X20		2

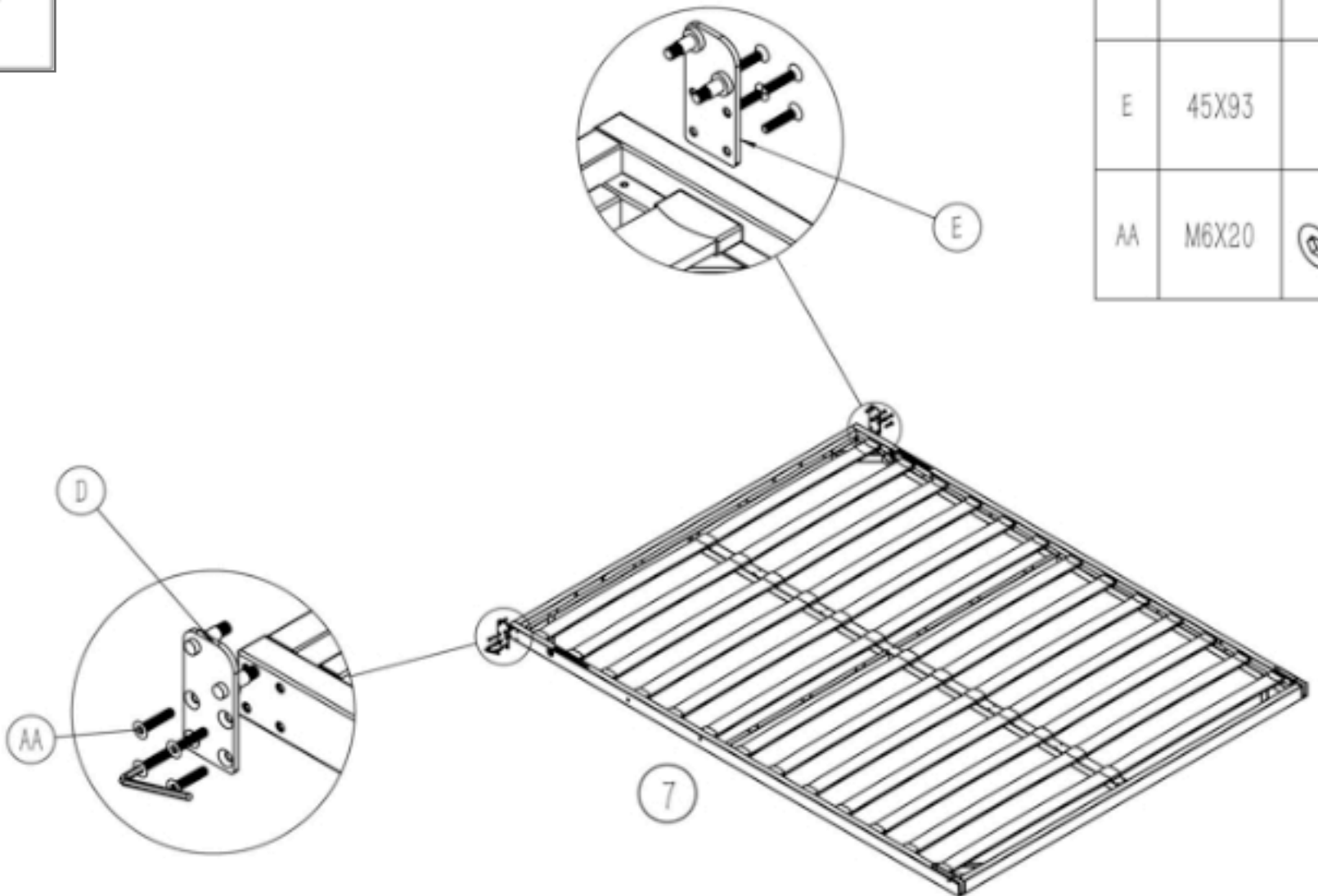
3

W	M4X20	
---	-------	--

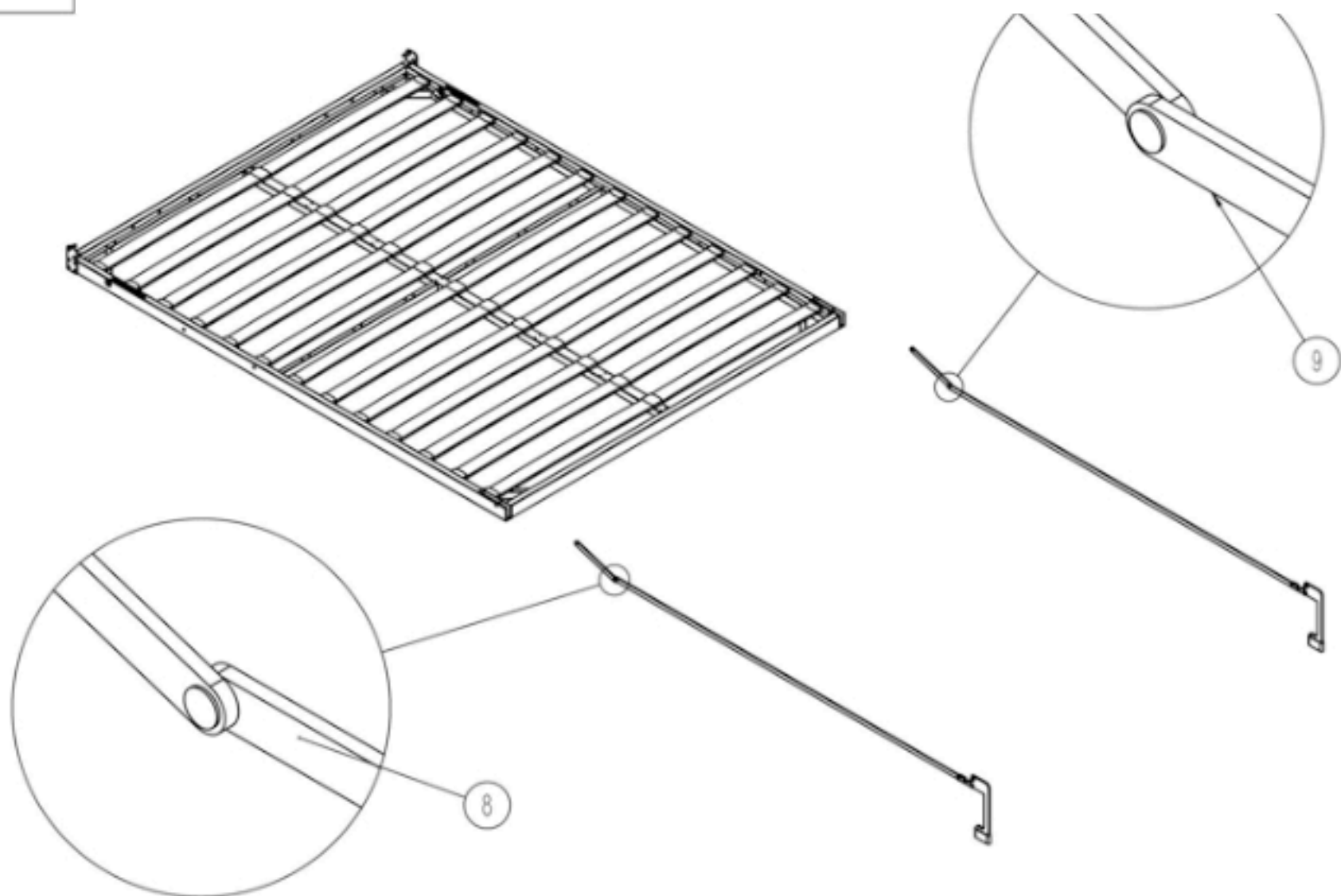


4



D	45X93	
E	45X93	
AA	M6X20	

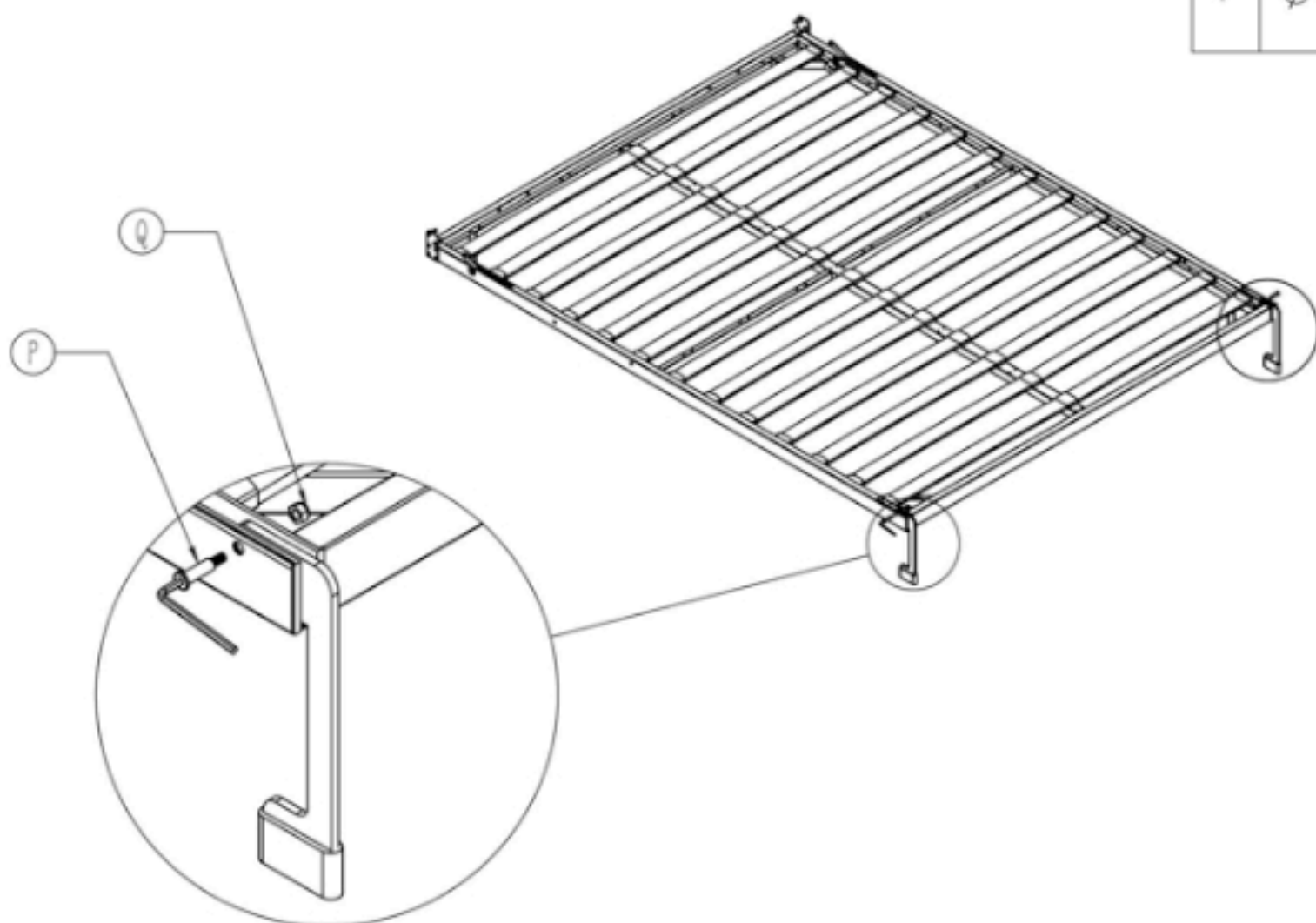


5

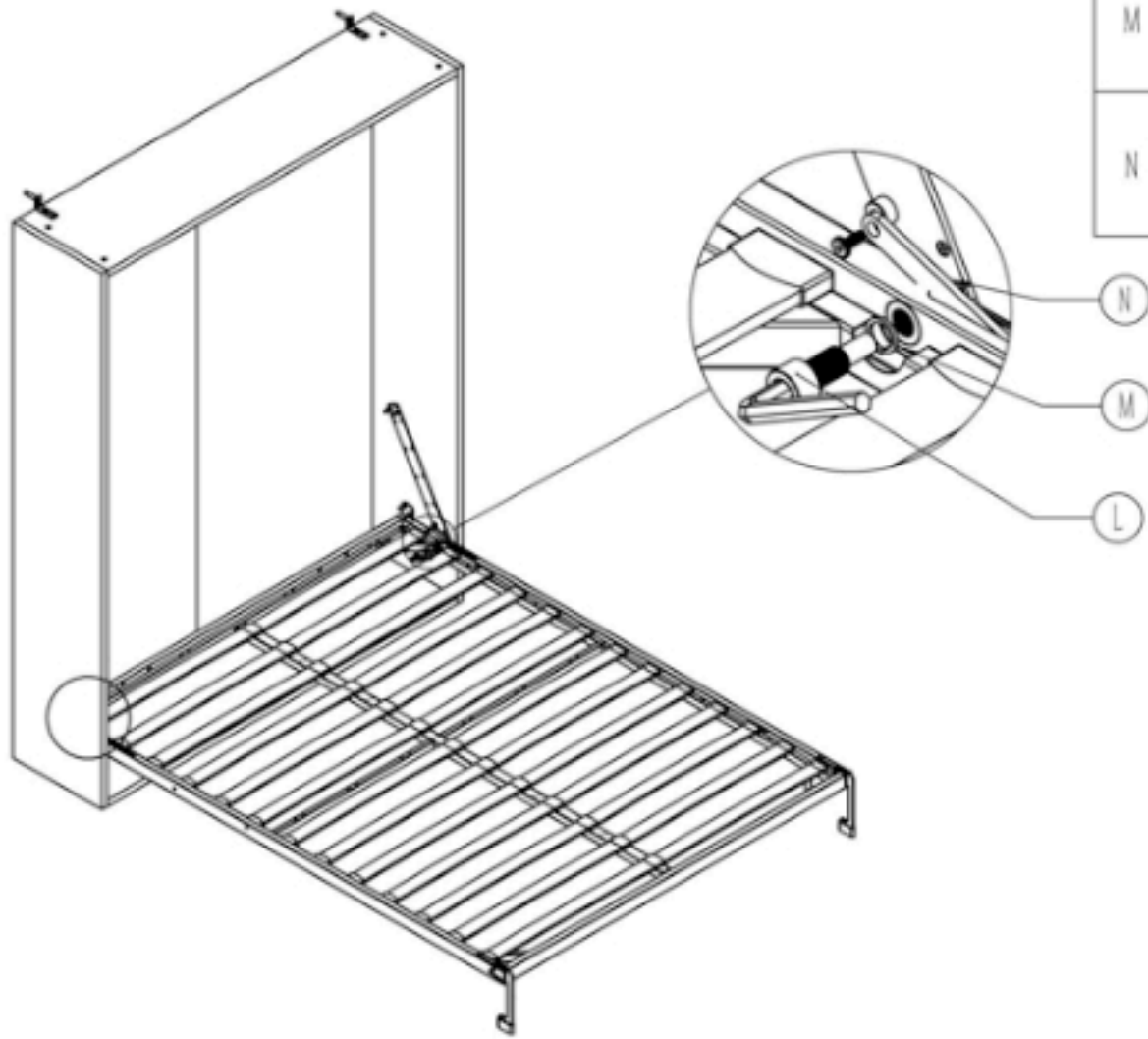


6

Q	M6		2
P	Ø 8X35		2

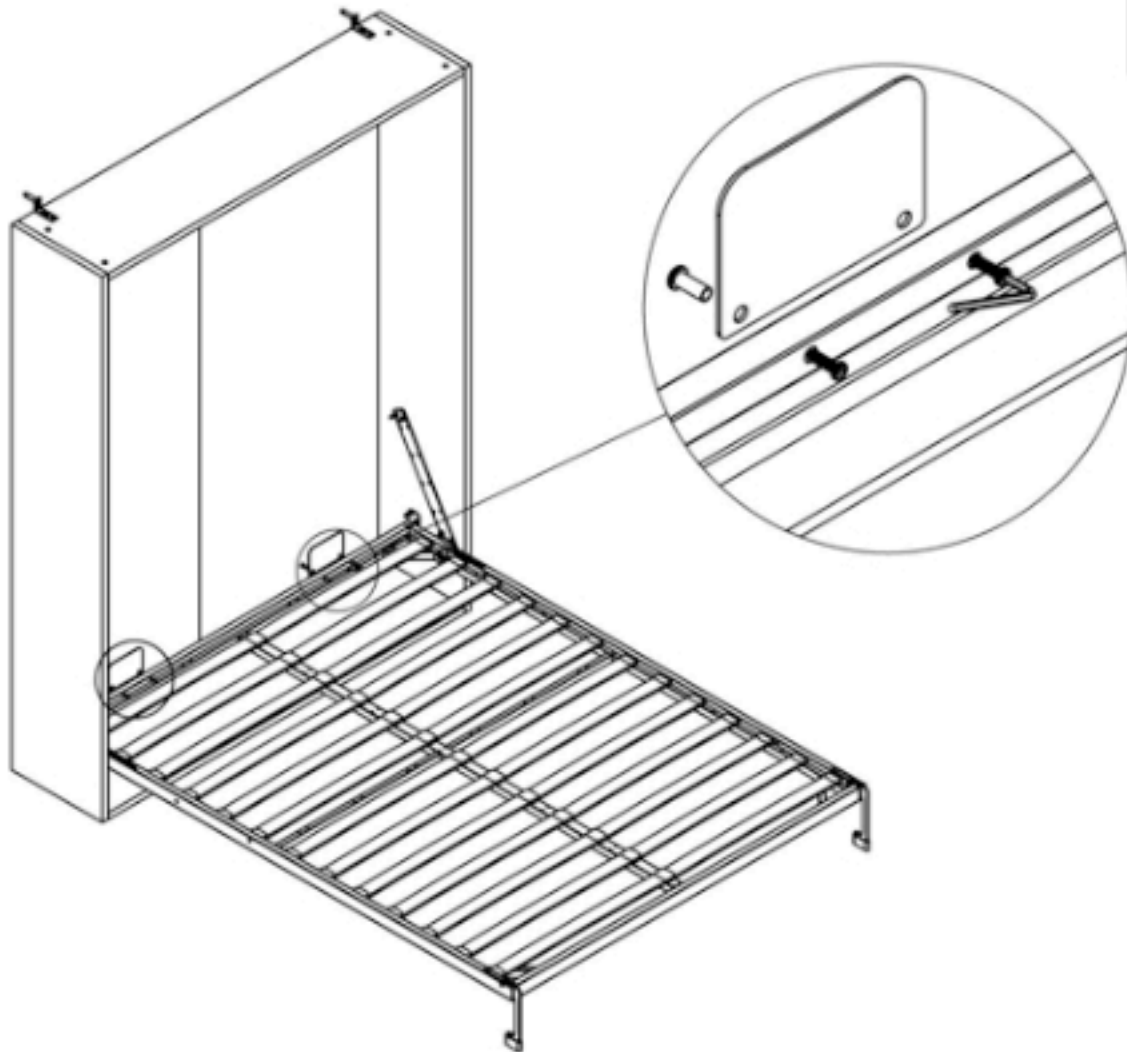


7





L	M16X50		2
M	M16		2
N	M12X24		2

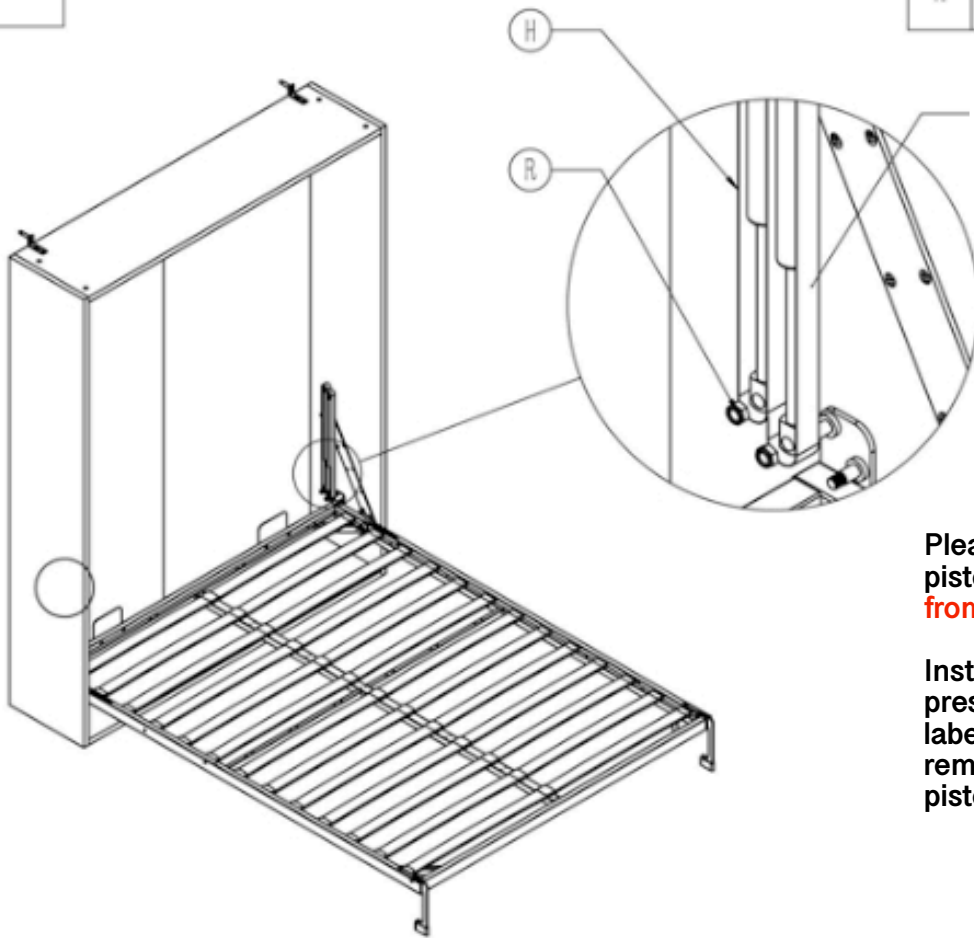
8



S	M6X20		4
T	M6X20		4

9

H	603X202		4
R	M8		4

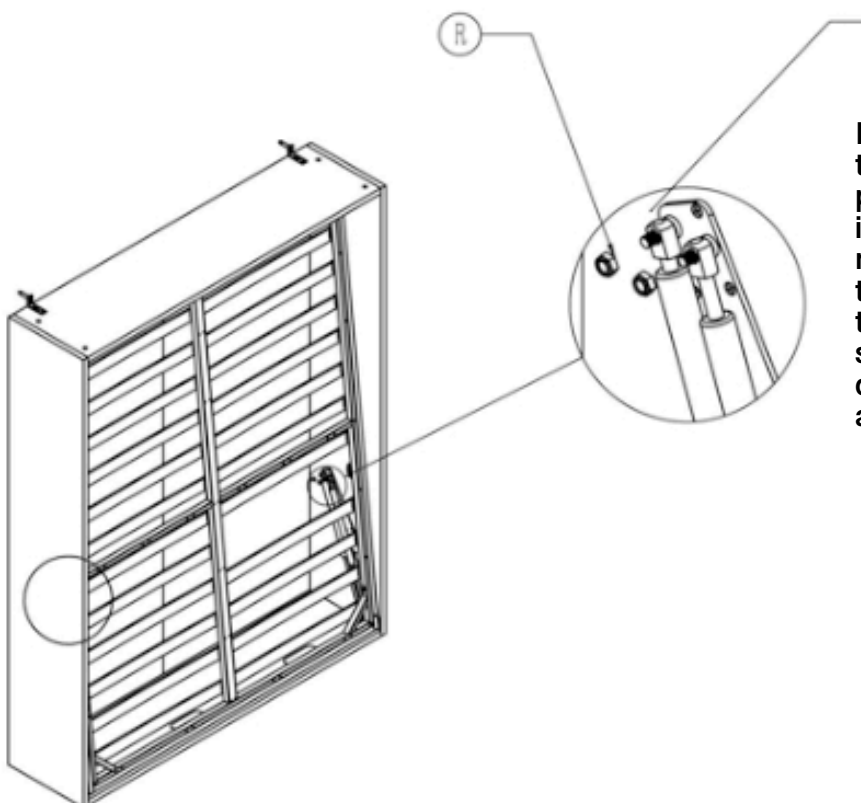


Please note the direction of the piston on the label ! **This differs from the picture.**

Install pistons, Please note the pressure of the pistons on the label also. at this point do not remove the Hoop around the piston.

10



R	M8		4
---	----	---	---

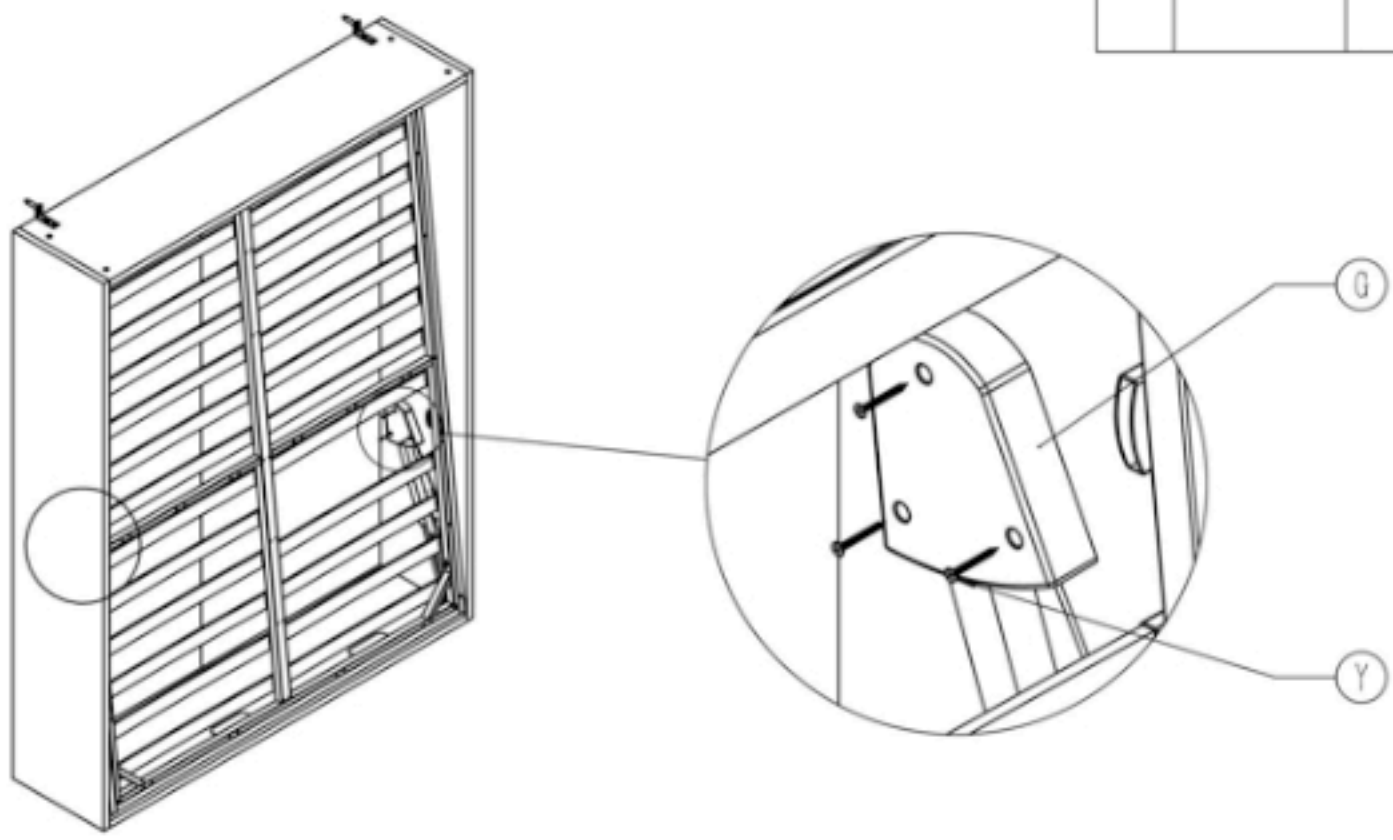


Make sure that the pistons are attached to the same place on either of the side panels. (2 options)


if the gap between the two pistons is not enough, fit the pistons onto the threaded stud you may have to do this by lifting the bed frame a small amount. Pull the bed frame to the down position & place the mattress on it and tighten.

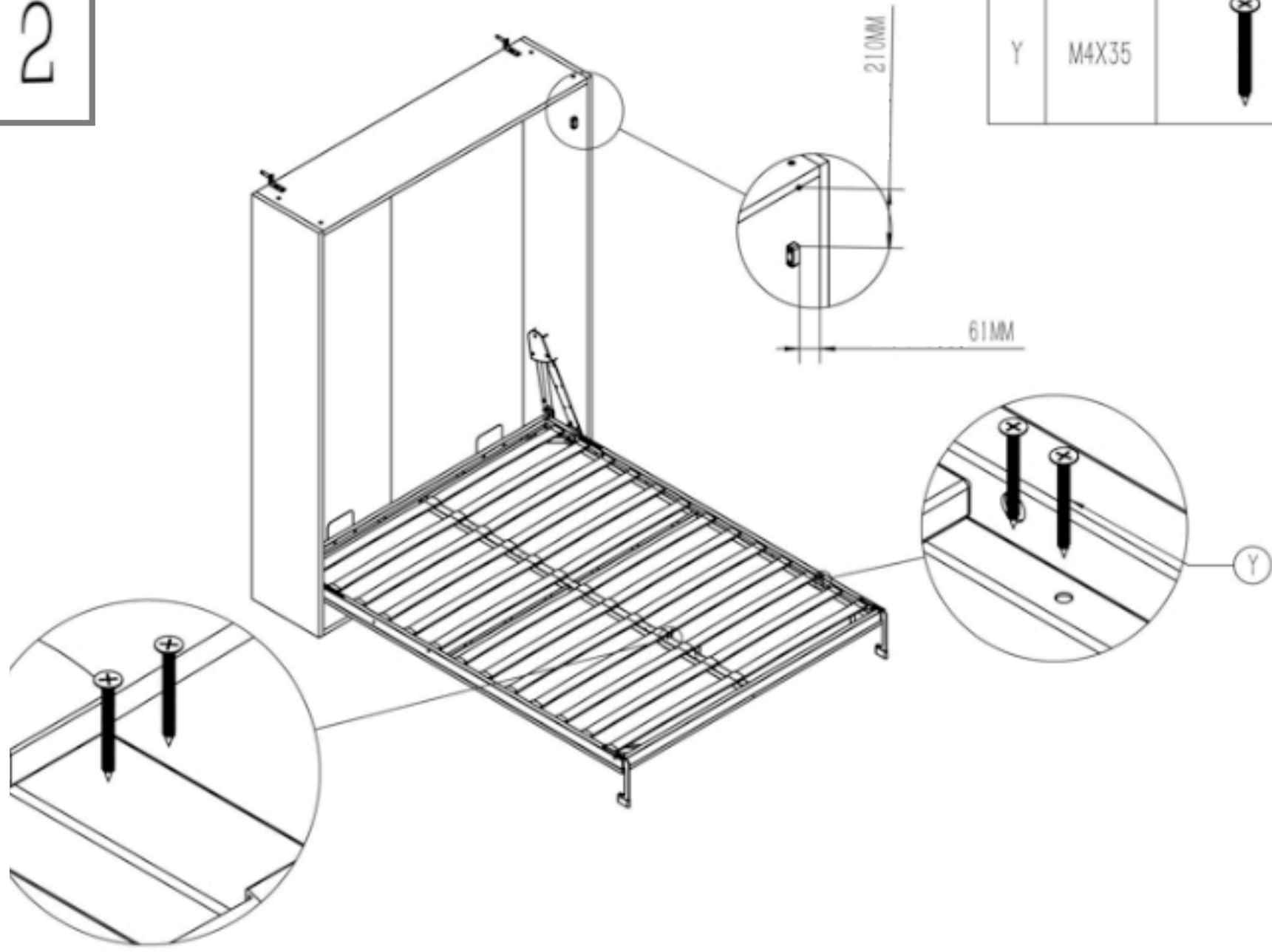
11

G	126X145		2
Y	M4X35		6

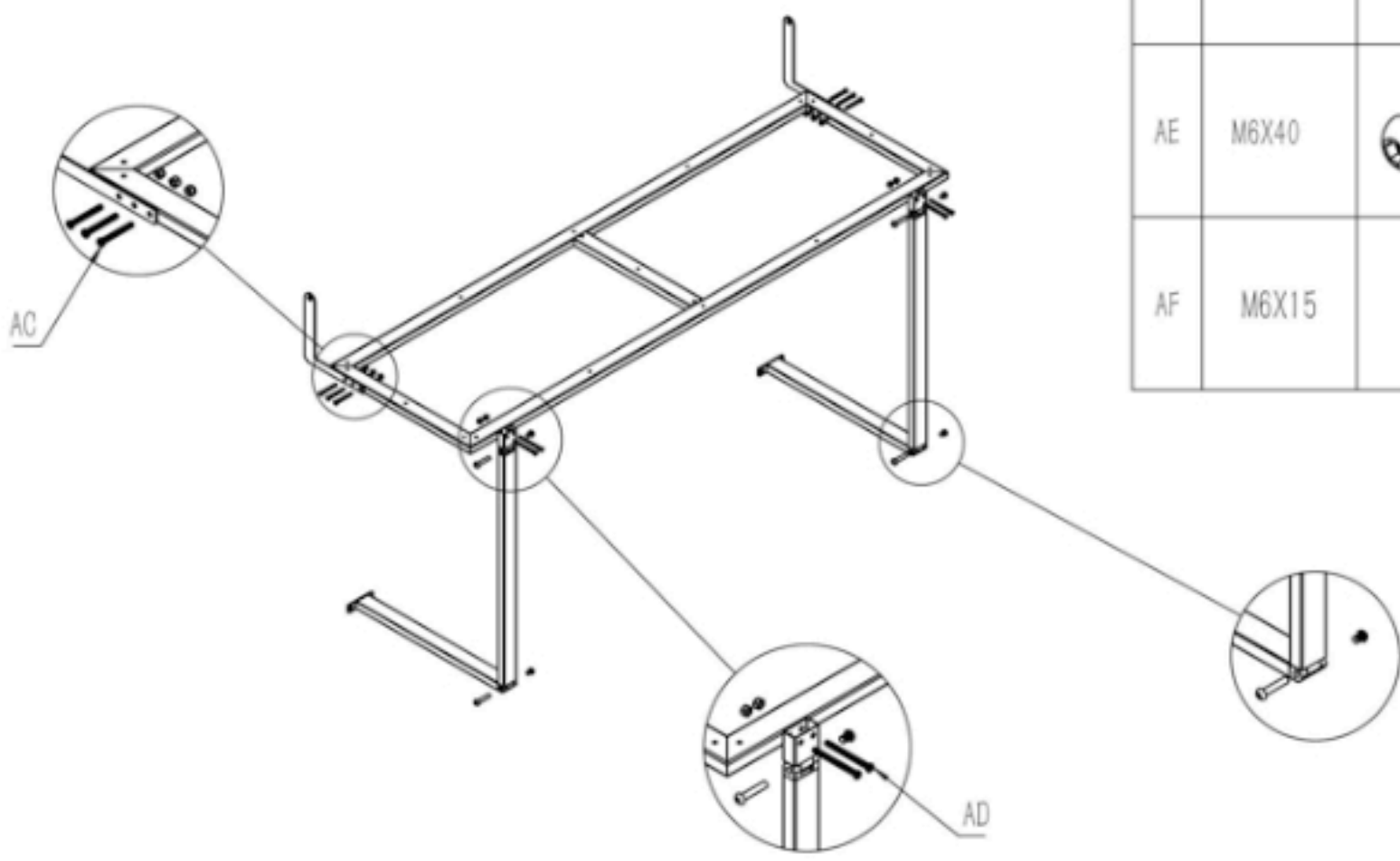


12

Y	M4X35		20
---	-------	---	----

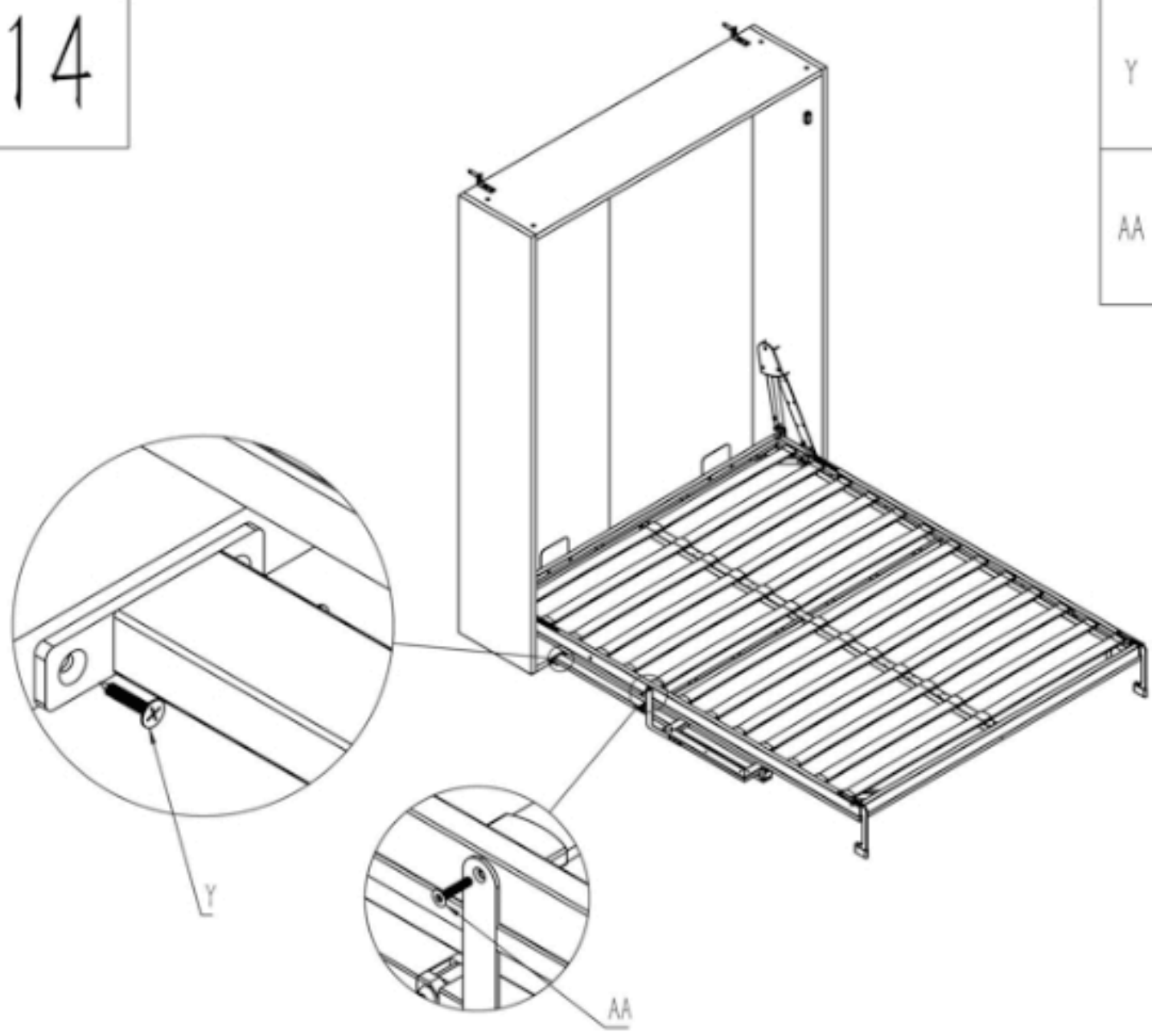



13



AC	M6X50		4
AD	M6X70		6
AE	M6X40		4
AF	M6X15		4

14



Y	M4X20		4
AA	M6X20		

15

AB

M4X35



16

