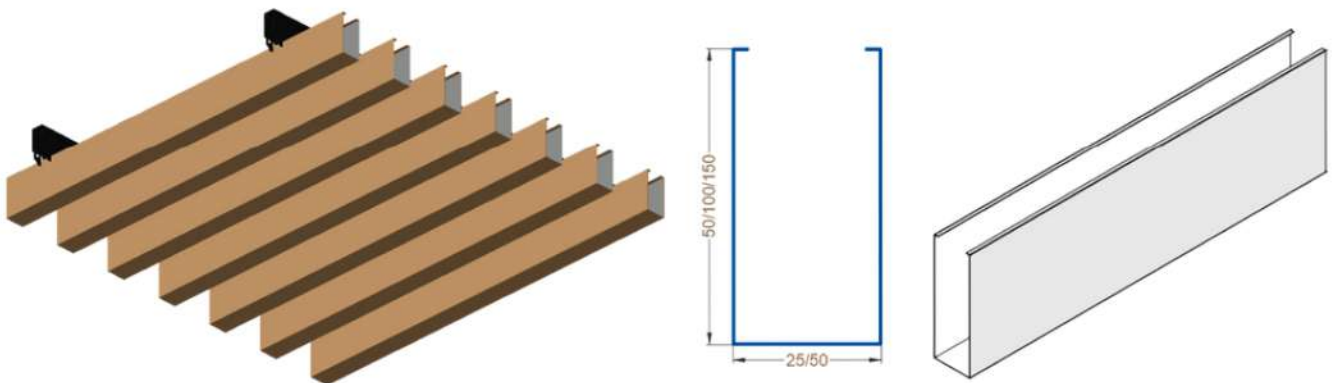


U Shaped Baffle Ceiling Technical Specification G.I.



Characteristics :

MCRA U shaped baffles are made of GI and are placed linearly at specific distance to form various patterns. MCRA U-Shaped baffels are perfect fit for spacious rooms. It enhance the elegance & usability of any space. The baffles also enhance the acoustic of the space.

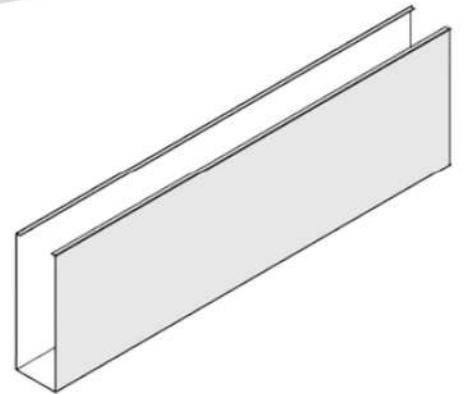
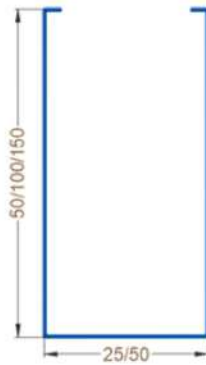
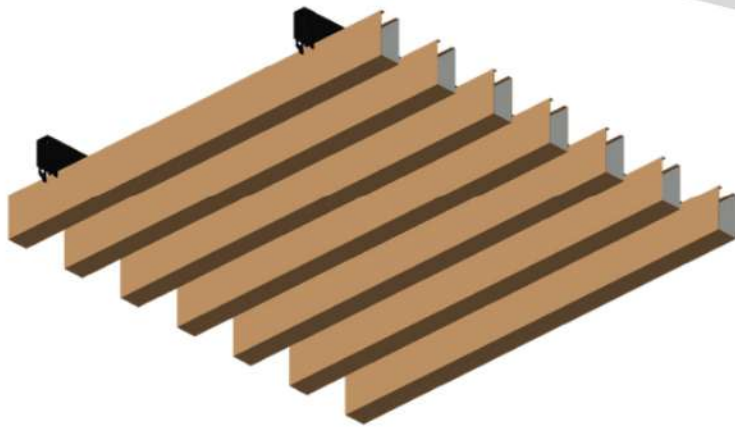
Application :

Offices, Reception Lobby, Conference Rooms, Metro stations, Airports etc.

Physical Properties :

Thickness (mm)	: 0.5±0.04
Length (mm)	: 2400/3000
Width (mm)	: 25/50 (±1)
Height (mm)	: 50/100/150 (±1)
Material	: GI_ 120GSM
Finish	: Powder coated
Colour	: As per RAL code
Gap (mm)	: 25/50/75 (±1)

U Shaped Baffle Ceiling Technical Specification Aluminium



Characteristics :

MCRA U shaped baffles are made of Aluminium and are placed linearly at specific distance to form various patterns. MCRA U-Shaped baffles are perfect fit for spacious rooms. It enhance the elegance & usability of any space. The baffles also enhance the acoustic of the space.

Application :

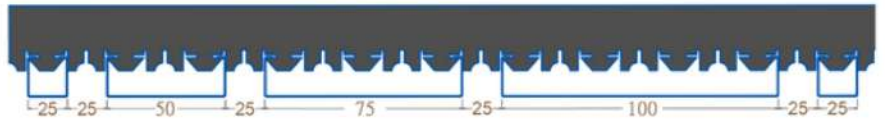
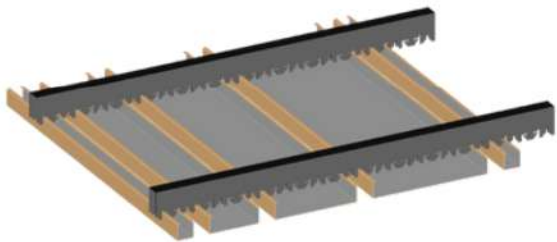
Offices, Reception Lobby, Conference Rooms, Metro stations, Airports etc.

Physical Properties :

Thickness (mm)	: 0.7±0.05
Length (mm)	: 2400/3000
Width (mm)	: 25/50 (±1)
Height (mm)	: 50/100/150 (±1)
Material	: Aluminium
Finish	: Powder coated
Colour	: As per RAL code
Gap (mm)	: 25/50/75 (±1)



Multi Baffle Ceiling Technical Specification G.I.



Characteristics :

MCRA Multi baffles are made of G.I . Different width of baffles are placed linearly at specific distance to form various patterns. MCRA Multi baffles are perfect fit for spacious rooms. It enhance the elegance & usability of any space. The baffles also enhance the acoustic of the space.

Application :

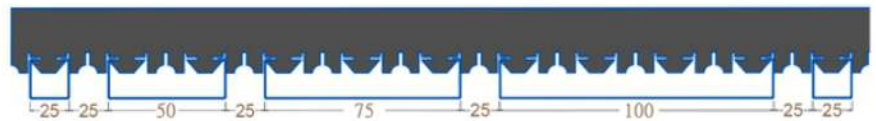
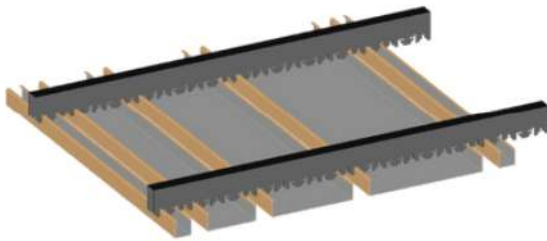
Offices, Reception Lobby, Conference Rooms, Metro stations, Airports etc.

Physical Properties :

Thickness (mm)	: 0.5±0.04
Length (mm)	: 2400/3000/
Width (mm)	: 25/75/125/175 (±1)
Height (mm)	: 25 (±1)
Material	: GI _ 120GSM
Finish	: Powder coated
Colour	: As per RAL code
Gap (mm)	: 25 (±1)



Multi Baffle Ceiling Technical Specification Aluminium



Characteristics :

MCRA Multi baffles are made of Aluminium. Different width of baffles are placed linearly at specific distance to form various patterns. MCRA Multi baffles are perfect fit for spacious rooms. It enhance the elegance & usability of any space. The baffles also enhance the acoustic of the space.

Application :

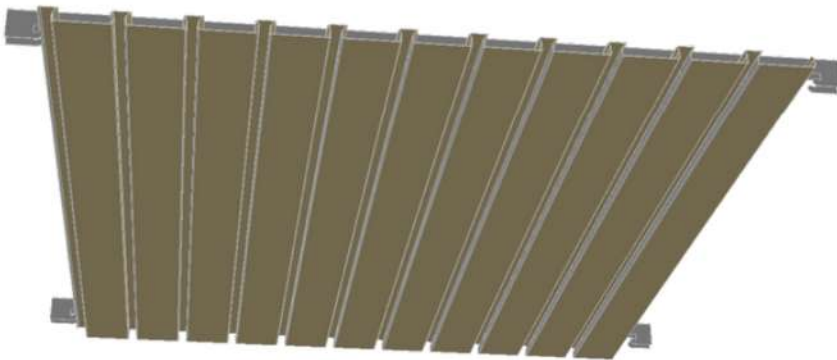
Offices, Reception Lobby, Conference Rooms, Metro stations, Airports etc.

Physical Properties :

Thickness (mm)	: 0.7±0.5
Length (mm)	: 2400/3000
Width (mm)	: 25/75/125/175 (±1)
Height (mm)	: 25 (±1)
Material	: Aluminium
Finish	: Powder coated
Colour	: As per RAL code
Gap (mm)	: 25 (±1)



84 C Linear Ceiling Technical Specification G.I.



Characteristics :

MCRA Linear C Closed ceiling system is made of GI panels that are easy to mount on the carrier. The box shaped panels are with a 16 mm joint in-between, and they augment the linear visual appearance of the ceiling while giving a directional feel to the room.

Application :

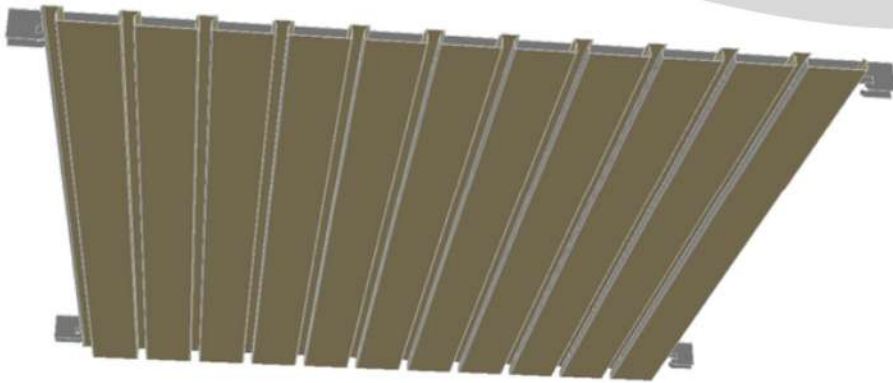
Wall to Ceiling Applications, Restrooms, Changing Rooms, Passages etc.

Physical Properties :

Thickness (mm)	: 0.5±0.04
Length (mm)	: 2400/3000/3600 (±4)
Width (mm)	: 84/184
Height (mm)	: 12.5
Material	: GI _ 120GSM
Finish	: Powder coated
Colour	: As per RAL code



84 C Linear Ceiling Technical Specification Aluminium



Characteristics :

MCRA Linear C Closed ceiling system is made of Aluminium panels that are easy to mount on the carrier. The box shaped panels are with a 16 mm joint in-between, and they augment the linear visual appearance of the ceiling while giving a directional feel to the room.

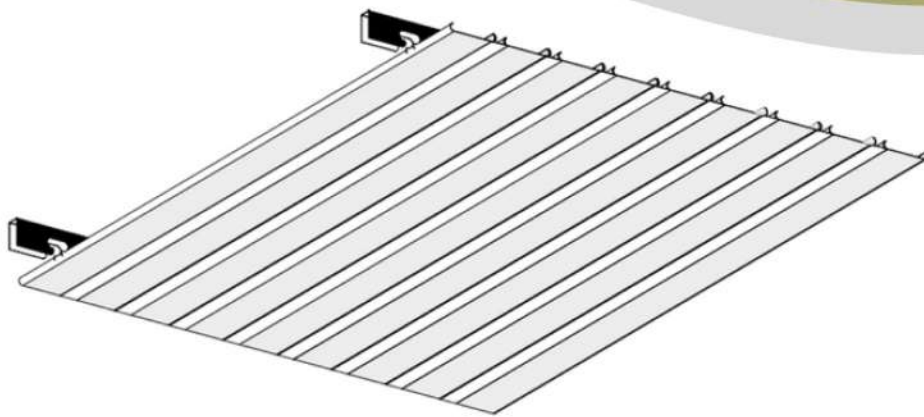
Application :

Wall to Ceiling Applications, Restrooms, Changing Rooms, Passages etc.

Physical Properties :

Thickness (mm)	: 0.7±0.5
Length (mm)	: 2400/3000/3600 (±4)
Width (mm)	: 84/184
Height (mm)	: 12.5
Material	: Aluminium
Finish	: Powder coated
Colour	: As per RAL code

84 R Linear Ceiling Technical Specification G.I



Characteristics :

Known for the ease of Installation MCRA Linear R systems offer a rounded, linear appearance to space. They reflect precision in design and augment the acoustic performance of the room. The slender rounded panel have crucial benefit of offering an accurate sense of directional control and can go with any style

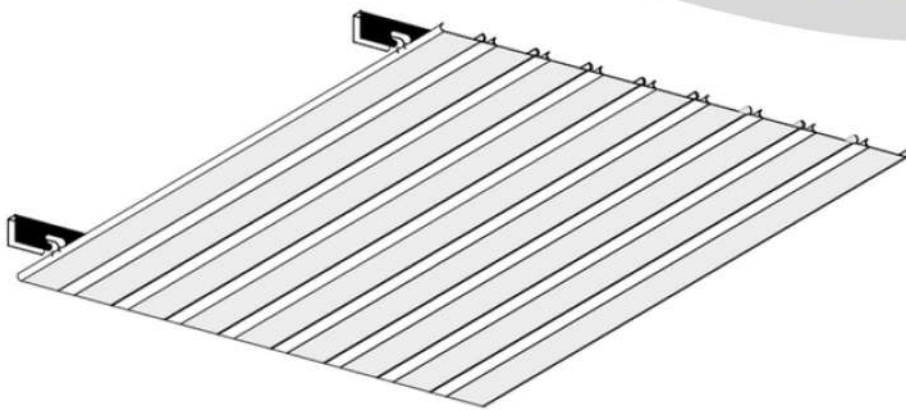
Application :

Restrooms, Balcony, Roof Deck, etc.

Physical Properties :

Thickness (mm)	: 0.5±0.04
Length (mm)	: 2400/3000/3600 (±4)
Width (mm)	: 84
Height (mm)	: 15 (Approx.)
Material	: GI _ 120GSM
Finish	: Powder coated
Colour	: As per RAL code

84 R Linear Ceiling Technical Specification Aluminium



Characteristics :

Known for the ease of Installation MCRA Linear R systems offer a rounded, linear appearance to space. They reflect precision in design and augment the acoustic performance of the room. The slender rounded panel have crucial benefit of offering an accurate sense of directional control and can go with any style

Application :

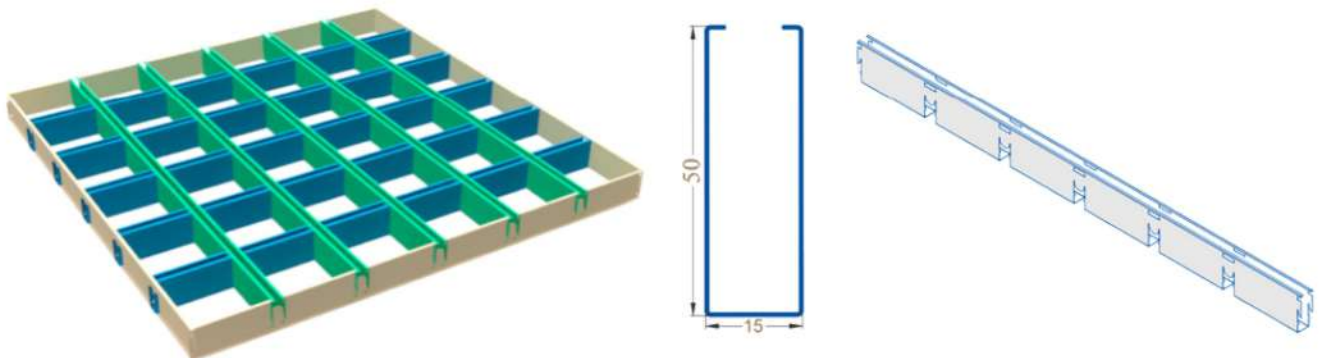
Restrooms, Balcony, Roof Deck, etc.

Physical Properties :

Thickness (mm)	: 0.7±0.05
Length (mm)	: 2400/3000/3600 (±4)
Width (mm)	: 84
Height (mm)	: 15 (Approx.)
Material	: Aluminium
Finish	: Powder coated
Colour	: As per RAL code



Open Cell Technical Specification



Characteristics :

MCRA Open Cell unit is designed to be installed on micro grid ceiling system. It gives the ceiling an open cell effect. The cell units can be easily installed and removed providing easy access to plenum above the ceiling.

Application :

Ceilings for Superior Aesthetics, Easy Maintenance & Faster Installation. Best Suited for Offices, lounges, corridors etc

Physical Properties :

Thickness (mm)	: 0.35±0.025
Length (mm)	: 595±1
Width (mm)	: 595±1
Height (mm)	: 50±1
Width (mm)	: 15 mm
Material	: GI_120GSM
Finish	: Powder coated
Colour	: As per RAL code
Cell Module (mm)	: 50x50/ 75x75/ 100x100/ 150x150/ 200x200