



COTTURA
b b group



制冰区与电器区分离，安全、卫生

Separate ice-making and electrical compartments for enhanced safety and hygiene



水槽、分水管、挡水板，无需工具拆装

Tool-free removable water tank, distributor, and water curtain for easy cleaning



制冷区域发泡隔离，保温性能更好

Foamed refrigeration zone insulation for better thermal retention



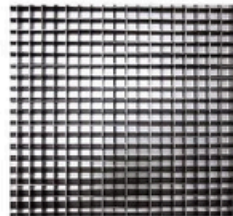
防回水弯头，避免二次污染

Anti-backflow drain elbow to prevent secondary contamination



IoT智能控制、智慧节能、方便使用

IoT smart control for energy-efficient and user-friendly operation



高性能蒸发盘，使用寿命更长，制冰效率更高

High-performance evaporator for longer lifespan and higher ice output



顶部排风设计，可适应45℃环温工作

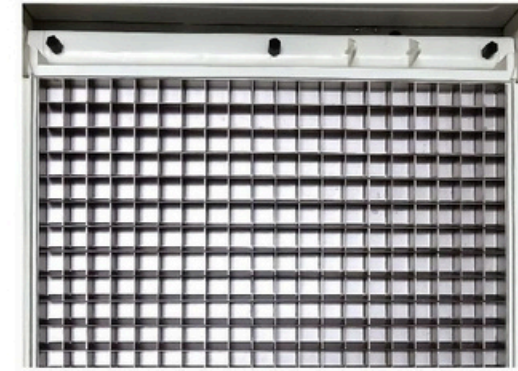
Top air exhaust design, stable operation in ambient temperatures up to 45°C



食品级制冰机，安全、卫生、方便清洗

Food-grade ice maker safe, hygienic and easy to clean

AC系列——方形冰/半方形冰/大方形冰
AC—Cube/Half Cube/Large Cube



流水式垂直制冰

蒸发温度-18℃
冰块中心温度-13℃

Flowing vertical ice making
Evaporation temperature: -18°C
Ice center temperature: -13°C



M: 方形冰(Cube)
重量/Weight: 11g
含水量/Water content: 2%
尺寸/Dimension: 23x23x23



S: 半方形冰(Half cube)
重量/Weight: 6g
含水量/Water content: 2%
尺寸/Dimension: 10x28x23



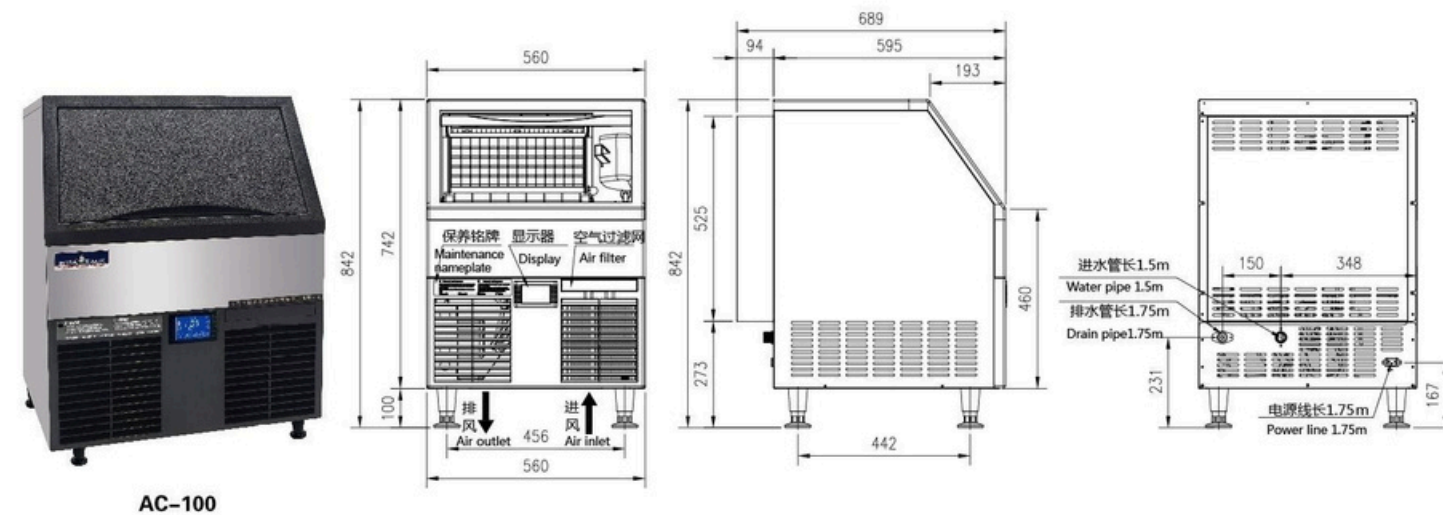
L: 大方形冰(Large cube)
重量/Weight: 16g
含水量/Water content: 2%
尺寸/Dimension: 28x28x23

特点

- 1) 可适应45℃高温，保证机器在高温下正常工作。
- 2) 环保制冷剂R290，制冰更高效、可减少大气层污染。
- 3) 流水式垂直制冰，蒸发温度-18℃，冰块中心温度-13℃。
- 4) 电脑版智能控制，自动制冰，自动落冰、自动清洗、故障报警。
- 5) 方便使用的自动清洗功能、将清洗药水倒入水槽中，约25分钟完成清洗流程。
- 6) 采用304不锈钢及ABS工程塑料，PE材质圆角储冰桶，造型美观、坚固、耐用。
- 7) 易于维修和保养，无需工具可拆装空气过滤网、水槽、分水管等部件，节约人力成本。
- 8) 主要部件(国际一线品牌)，蒸发盘为HISAKAGE独有设计、制冷效率更高效、更节能。
- 9) 适用于酒店、餐厅、咖啡店、便利店、饮品店等，可快速冷却所需饮品。

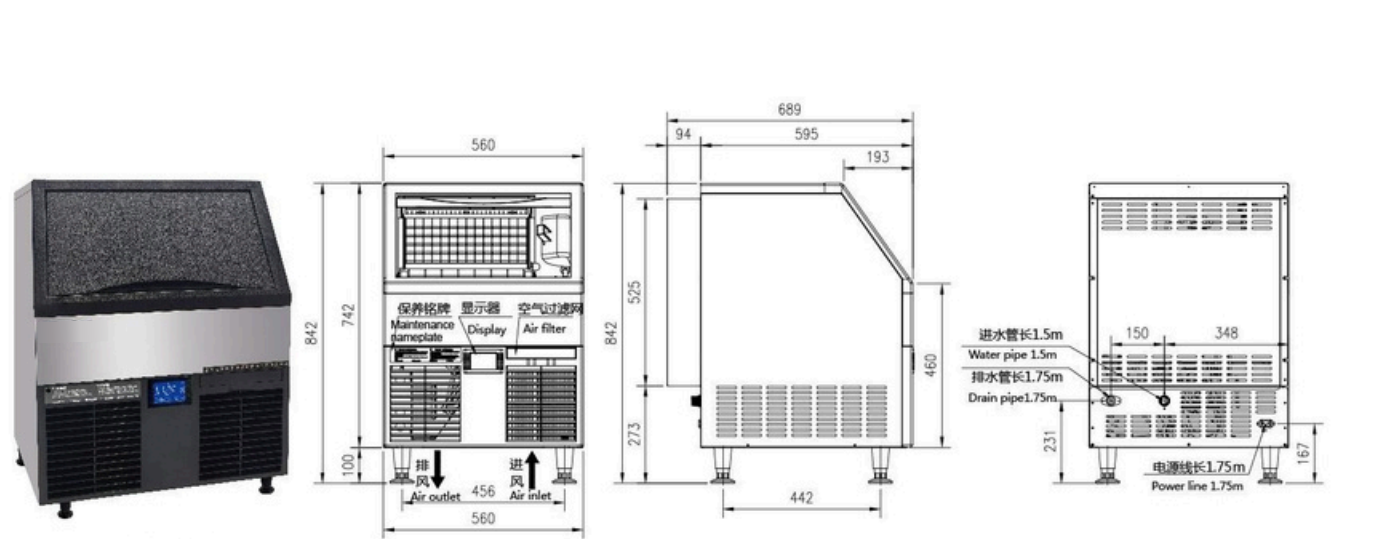
Features

- 1) Stable performance in ambient temperatures up to 45°C.
- 2) Eco-friendly R290 refrigerant for higher efficiency and lower environmental impact.
- 3) Flow-type vertical ice-making system. Evaporation temp: -18°C | Ice core temp: -13°C.
- 4) Intelligent control: automatic ice making, harvesting, cleaning, and alarm system.
- 5) One-touch cleaning. Add cleaning solution to the water trough — cycle completes in about 25 minutes.
- 6) Durable construction with SS304 stainless steel and ABS. PE ice bin with rounded corners — strong and reliable.
- 7) Tool-free maintenance. Removable air filter, water trough, and distribution tube.
- 8) Premium international components. Unique evaporator design for higher efficiency and energy savings.
- 9) Ideal for hotels, restaurants, cafés, convenience stores, beverage shops, and similar applications.

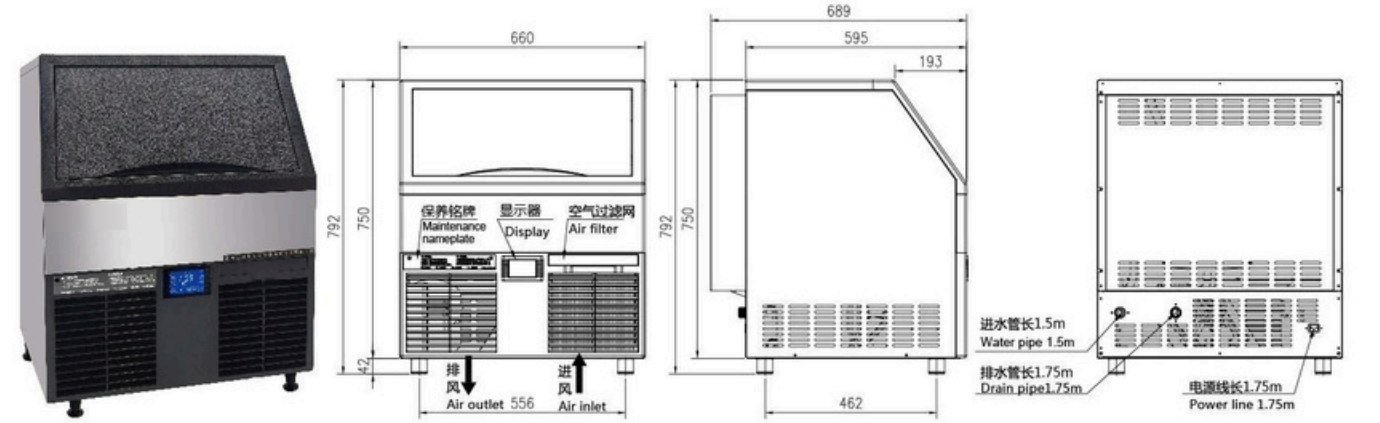


AC-100

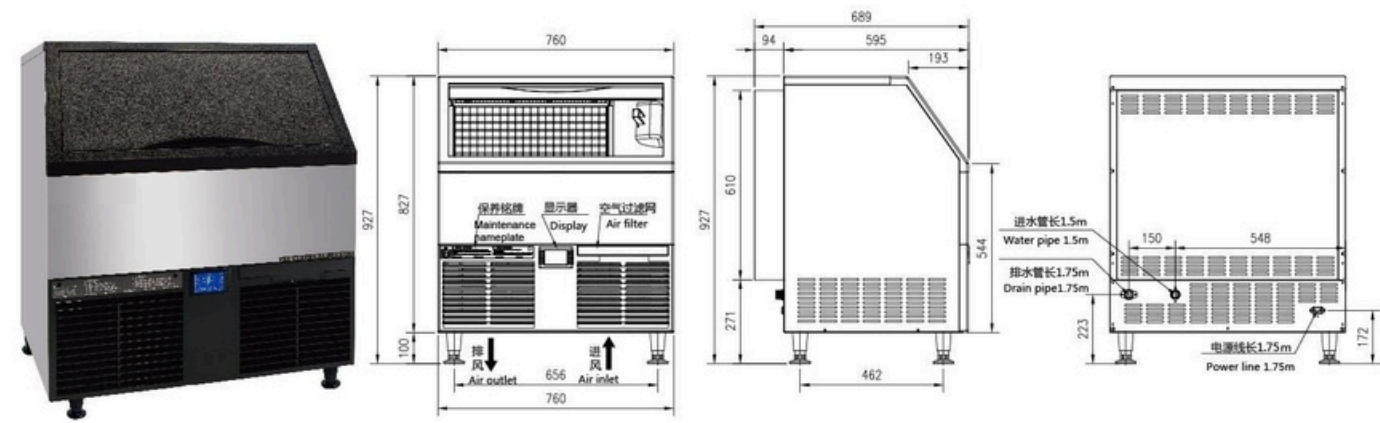
这就是



AC-150



AC-250

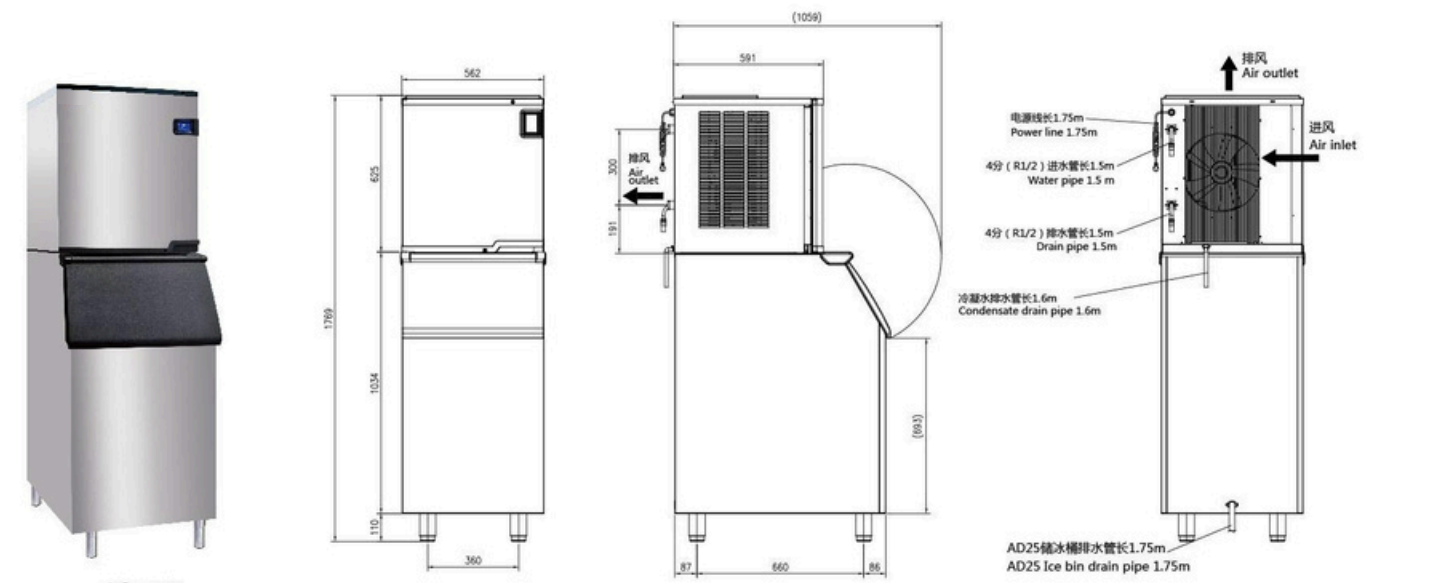


AC-300

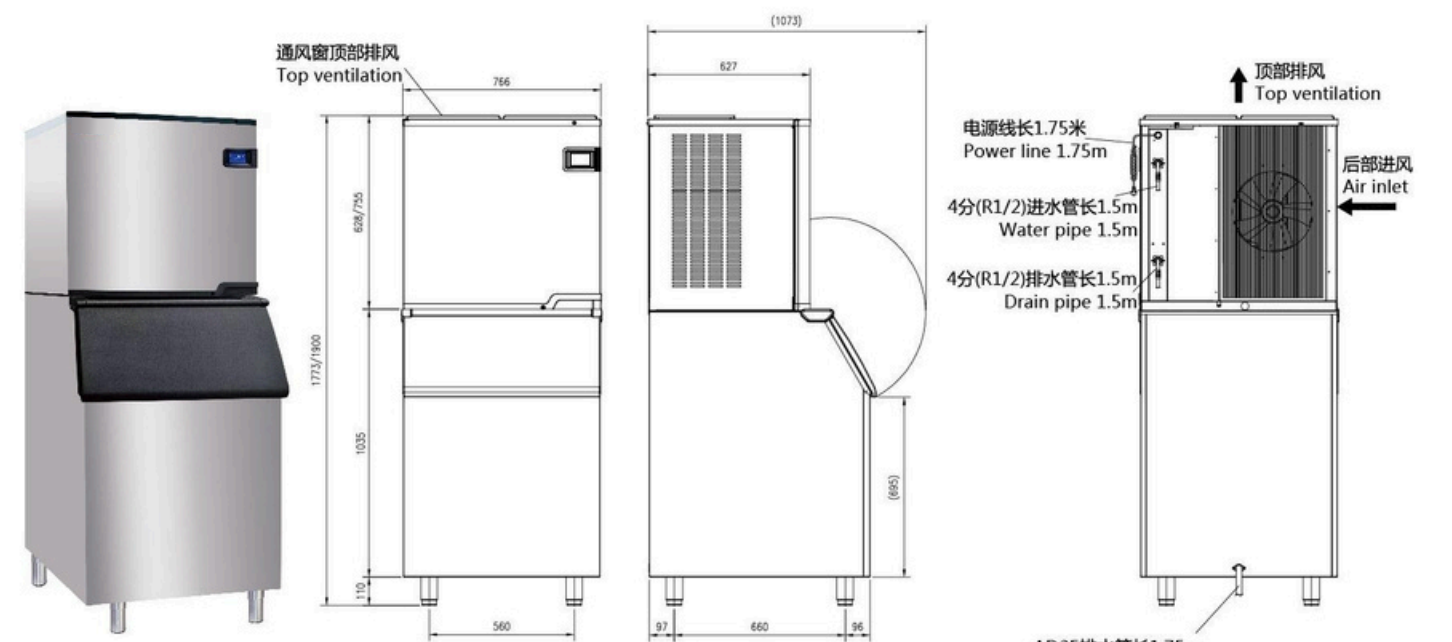
型号 Model	产冰量 Capacity	储冰量 Storage	电压、功率 Voltage/Power	冰型 Ice type	制冷方式 Cooling type	制冷剂 Refrigerant	机器尺寸 Machine Dimensions(mm)
AC-100	50kg	18kg	220V/320W	M	A	R290	560x690x(745+30)
AC-150	70kg	18kg	220V/360W	M/S/L	A	R290	560x690x(745+30)
AC-250	105kg	30kg	220V/420W	M/S/L	A	R290	660x690x(745+30)
AC-300	135kg	40kg	220V/680W	M/S/L	A	R290	760x690x(830+100)
AC-500	220kg	160kg	220V/800W	M/S/L	A/W	R410A	560x855x(1660+150)
AC-700	320kg	250kg	220V/1000W	M/S/L	A/W	R410A	760x855x(1660+150)
AC-1050	450kg	250kg	220V/1600W	M/S/L	A/W	R410A	760x855x(1800+150)
AC-1500	700kg	400kg	220V/1900W	M/S	A/W	R410A	1220x855x(1800+150)
AC-2000	850kg	400kg	380V/3200W	M/S	A/W	R410A	1220x855x(1800+150)

注：AC系列产冰量测试条件：环温 21℃，水温 15℃；出厂标准为M(方冰)，S(半方冰)，L(大方冰)，需订制。

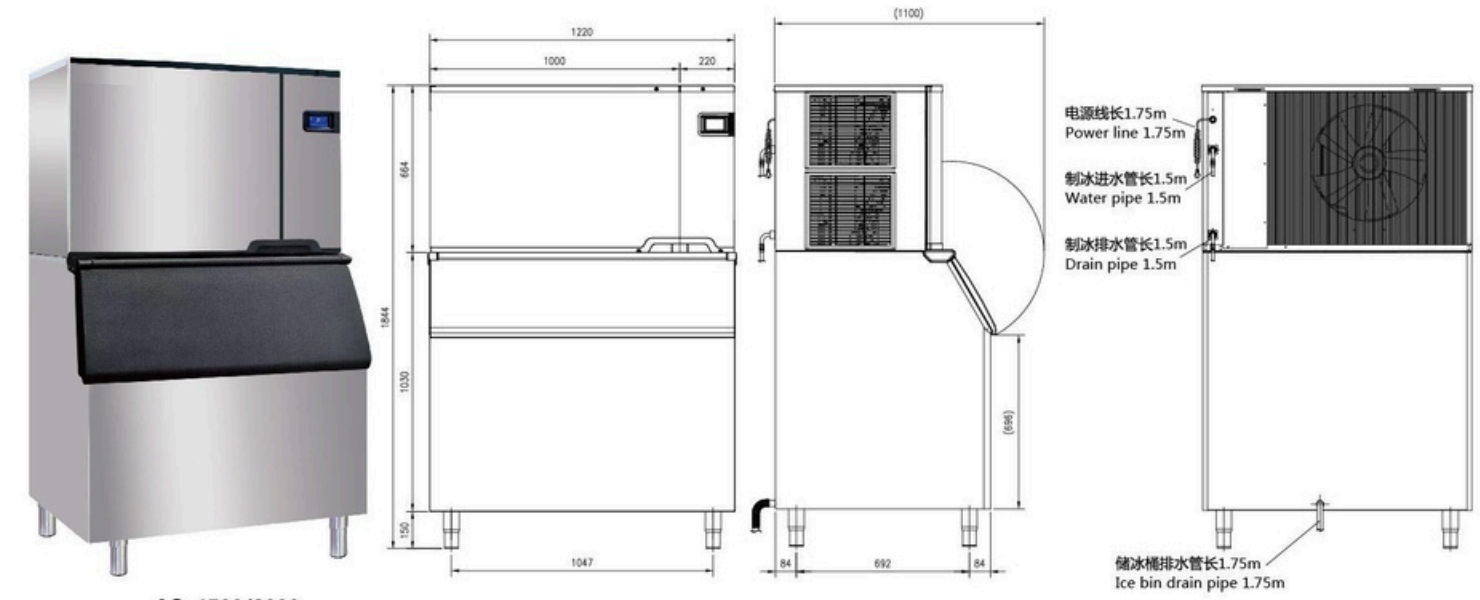
Note: AC Series Ice Production Testing Conditions: ambient temperature 21°C, water temperature 15°C. Factory standard ice shape: M (cube); S (half cube) and L (large cube) are available by custom order.



AC-500



AC-700/1050

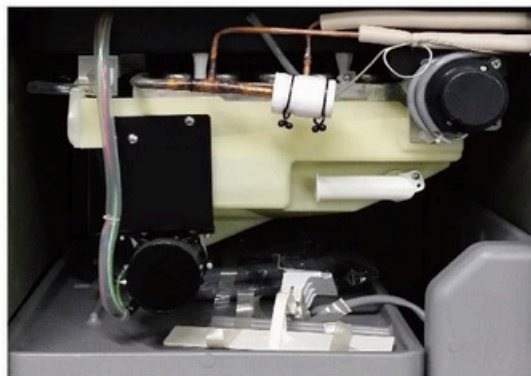


AC-1500/2000

*AC-2000出厂标准为380V、50Hz三相，220V需订制。
*The AC-2000 factory standard is 380V, 50Hz three-phase.

SC系列——正方形冰/球形冰

SC—Square/Ball



喷淋式封闭制冰

蒸发温度-25℃
冰块中心温度 -17℃
Spray enclosed ice making
Evaporation temperature: -25℃
Ice center temperature: -17℃



SS: 小号正方形冰 (Small square) 重量/Weight:11g 含水量/Water content:2% 尺寸/Dimension:23x23x23

MS: 正方冰(Square) 重量/Weight:22g 含水量/Water content:2% 尺寸/Dimension:28x28x32

LS: 大号正方形冰 (Large square) 重量/Weight:100g 含水量/Water content:2% 尺寸/Dimension:45x45x55

BS: 球形冰(Ball) 重量/Weight:80g 含水量/Water content:2% 尺寸/Dimension:φ 55

特点

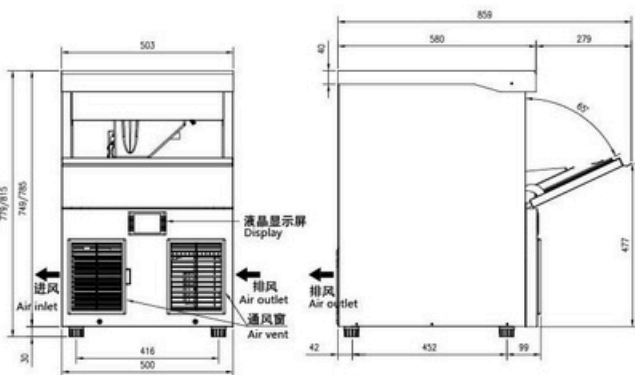
- 1) 实心冰块、坚硬不易融化、透明度高。
- 2) 易于维修和保养, 无需工具可拆装空气过滤网。
- 3) 可适应45℃高温, 保证机器在高温下正常工作。
- 4) 环保制冷剂R290, 制冰更高效、可减少大气层污染。
- 5) 喷淋式封闭制冰, 蒸发温度-25℃, 冰块中心温度-17℃。
- 6) 电脑版智能控制, 自动制冰, 自动落冰、自动清洗、故障报警。
- 7) 方便使用的自动清洗功能、将清洗药水倒入水槽中, 约25分钟完成清洗流程。
- 8) 采用304不锈钢及ABS工程塑料, PE材质圆角储水桶, 造型美观、坚固、耐用。
- 9) 主要部件(国际一线品牌), 蒸发盘为HISAKAGE独有设计、制冷效率更高效、更节能。
- 10) 适用于酒店、咖啡店、便利店、会所、日本料理等场所。

Features

- 1) Solid ice cubes — hard, slow-melting, and highly transparent.
- 2) Easy maintenance. Removable air filter without tools.
- 3) Stable performance in ambient temperatures up to 45°C.
- 4) Eco-friendly R290 refrigerant for higher efficiency and lower environmental impact.
- 5) Spray-type enclosed ice-making system. Evaporation temp: -25°C | Ice core temp: -17°C.
- 6) Intelligent controller: automatic ice making, ice harvesting, cleaning, and alarm system.
- 7) One-touch cleaning. Add cleaning solution to the water trough — cycle completes in about 25 minutes. Durable construction with SS304 stainless steel and ABS.
- 8) PE ice bin with rounded corners — strong and reliable.
- 9) Premium international components. Unique evaporator design for higher efficiency and energy savings.
- 10) Ideal for hotels, coffee shops, convenience stores, clubhouses, Japanese restaurants, and similar applications.



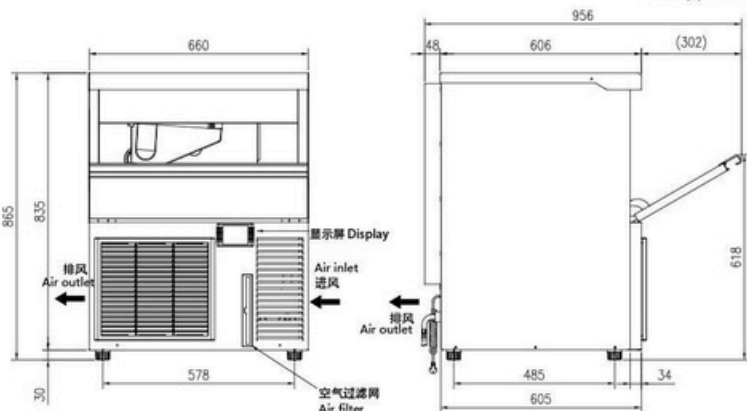
SC-80/120



制冰进水管长1.5m Water pipe 1.5m
制冰排水管长1.5m Drain pipe 1.5m
电源线长1.75m Power line 1.75m



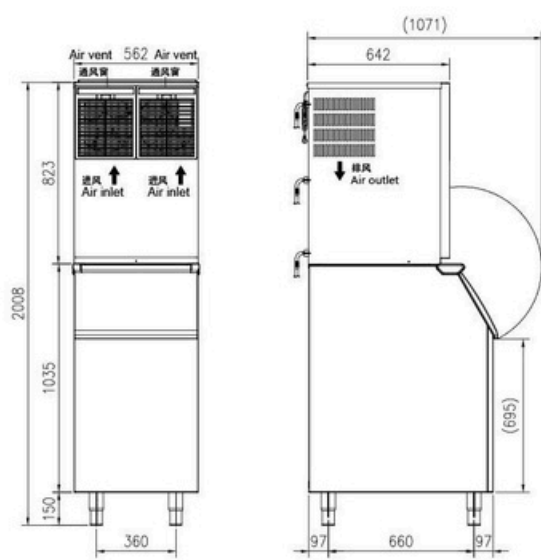
SC-150/200/200L



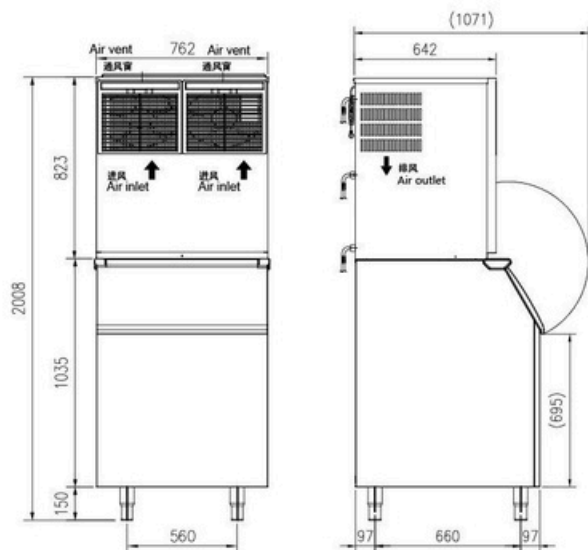
制冰进水管长1.5m Water pipe 1.5m
制冰排水管长1.5m Drain pipe 1.5m
电源线长1.75m Power line 1.75m



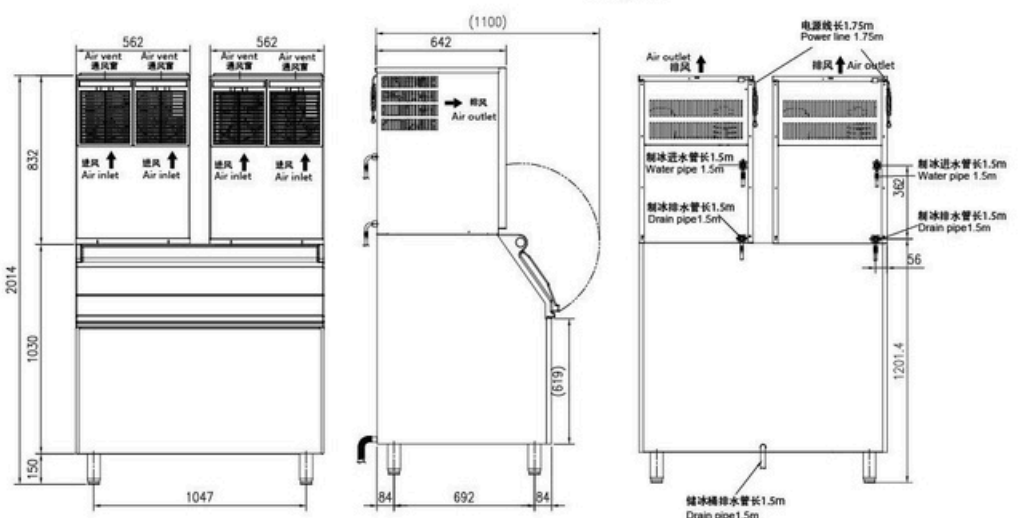
SC-500



SC-700



SC-1000



型号 Model	产冰量 Capacity	储冰量 Storage	电压、功率 Voltage/Power	冰型 Ice type	制冷方式 Cooling type	制冷剂 Refrigerant	机器尺寸 Machine Dimensions(mm)
SC-80	35kg	15kg	220V/260W	MS	A	R290	500 × 580 × (785+30)
SC-120	55kg	15kg	220V/320W	MS/SS	A	R290	500 × 580 × (785+30)
SC-150	60kg	30kg	220V/460W	BS	A	R290	660 × 655 × (830+100)
SC-200	90kg	30kg	220V/460W	MS	A	R290	660 × 655 × (830+100)
SC-200L	80kg	30kg	220V/460W	LS	A	R290	660 × 655 × (830+100)
SC-500	200kg	160kg	220V/850W	MS	AW	R410A	560 × 855 × (1852+150)
SC-700	300kg	250kg	220V/1050W	MS	AW	R410A	760 × 855 × (1852+150)
SC-1000	400kg	400kg	220V/1700W	MS	AW	R410A	1220 × 855 × (1852+150)

注: SC系列产冰量测试条件: 环温 21℃, 水温 15℃, SC120出厂标准为MS, SS需订制。
Note: SC Series Ice Production Testing Conditions — ambient temperature 21°C, water temperature 15°C. SC-120 factory standard ice shapes: MS; SS available by custom order.

AS系列——碎冰/矿形冰

AS—Flake/Nugget



旋转挤压制冰

蒸发温度-15°C

冰块中心温度 -7°C

Rotary extrusion ice making
Evaporation temperature: -15°C
Ice center temperature: -7°C



F: 碎冰(Flake)
重量/Weight: 1g
含水量/Water content: 10%
尺寸/Dimension: 5x8mm



N: 矿形冰(Nugget)
重量/Weight: 3g
含水量/Water content: 5%
尺寸/Dimension: 12x16mm

特点

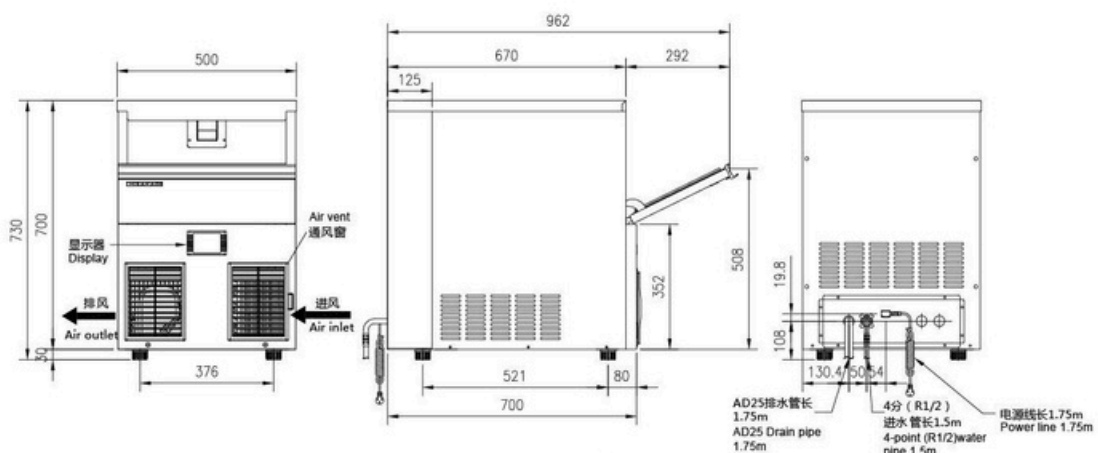
- 1) 碎冰冰块松软, 含水量相对方冰略高。
- 2) 可适应45°C高温, 保证机器在高温下正常工作。
- 3) 环保制冷剂R290, 制冰更高效、可减少大气层污染。
- 4) 旋转挤压制冰, 蒸发温度-15°C, 冰块中心温度-7°C。
- 5) 电脑版智能控制, 自动制冰, 自动落冰、自动清洗、故障报警。
- 6) 方便使用的自动清洗功能, 将清洗药水倒入水槽中, 约25分钟完成清洗流程。
- 7) 采用304不锈钢及ABS工程塑料, PE材质圆角储冰桶, 造型美观、坚固、耐用。
- 8) 易于维修和保养, 无需工具可拆装空气过滤网、水槽、分水管等部件, 节约人力成本。
- 9) 主要部件(国际一线品牌), 蒸发盘为HISAKAGE独有设计、制冷效率更高效、更节能。
- 10) 适用于酒店、咖啡店、便利店、会所、日本料理等场所。

Features

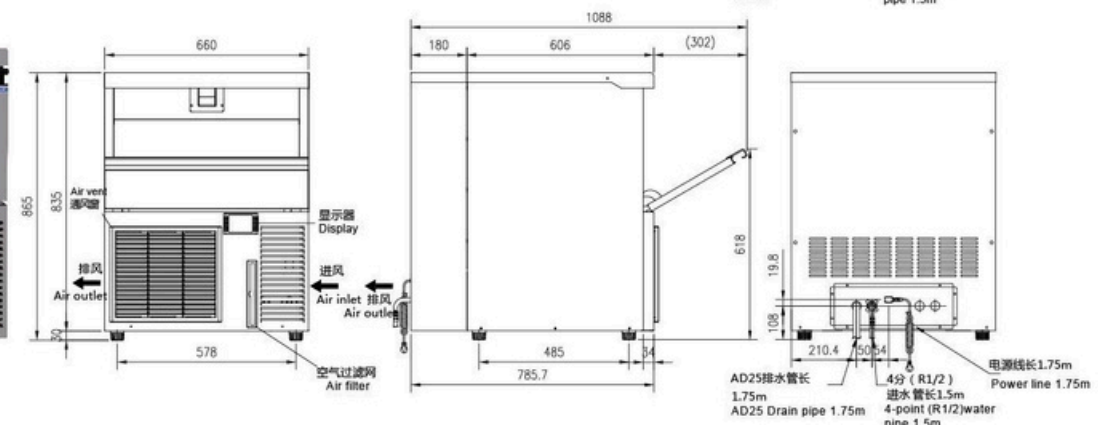
- 1) Flake ice — soft, with slightly higher water content than cube ice.
- 2) Stable performance in ambient temperatures up to 45°C.
- 3) Eco-friendly R290 refrigerant for higher efficiency and lower environmental impact.
- 4) Rotary extrusion ice-making system. Evaporation temp: -15°C | Ice core temp: -7°C.
- 5) Intelligent control: automatic ice making, harvesting, cleaning, and alarm system.
- 6) One-touch cleaning. Add cleaning solution to the water trough — cycle completes in about 25 minutes.
- 7) Durable construction with SS304 stainless steel and ABS. PE ice bin with rounded corners — strong and reliable.
- 8) Tool-free maintenance. Removable air filter, water tank, and distribution tube.
- 9) Premium international components. Unique evaporator design for higher efficiency and energy savings.
- 10) Ideal for hotels, coffee shops, convenience stores, clubhouses, Japanese restaurants, and similar applications.



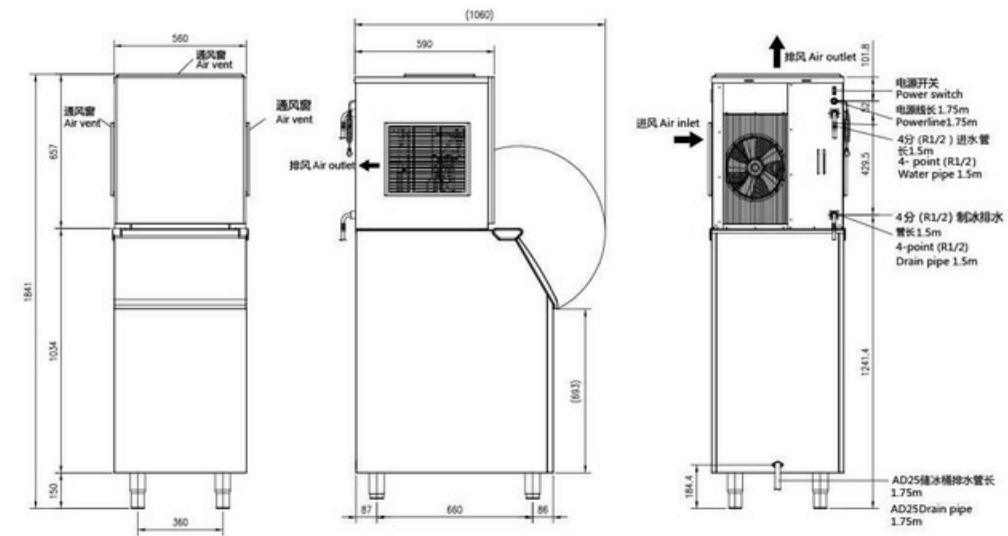
AS-200



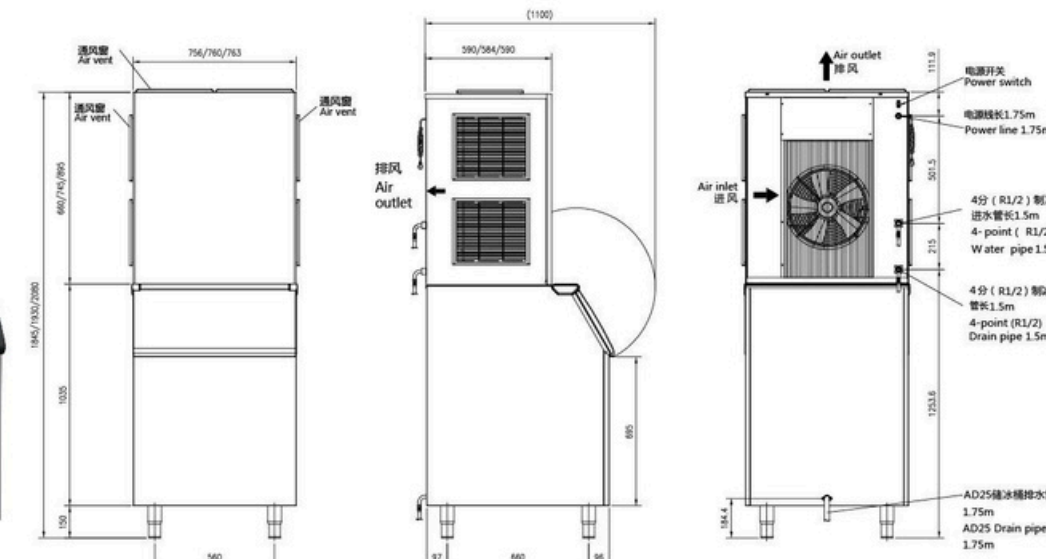
AS-300



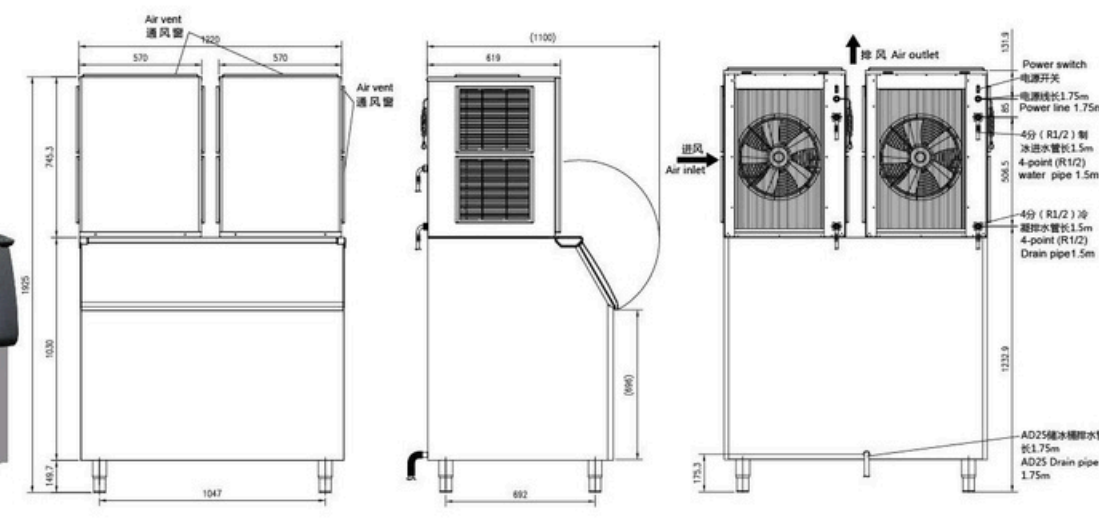
AS-450



AS-650/1050/1300



AS-2100

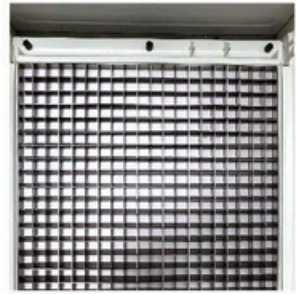


型号 Model	产冰量 Capacity	储冰量 Storage	电压、功率 Voltage/Power	冰型 Ice type	制冷方式 Cooling type	制冷剂 Refrigerant	机器尺寸 Machine Dimensions(mm)
AS-200	90kg	15kg	220V/460W	F/N	A	R290	500x670x(795+30)
AS-300	130kg	30kg	220V/620W	F/N	A	R290	660x670x(830+100)
AS-450	200kg	160kg	220V/880W	F/N	A/W	R410A	560x855x(1655+150)
AS-650	320kg	250kg	220V/1000W	F/N	A/W	R410A	760x855x(1655+150)
AS-1050	500kg	250kg	220V/1300W	F/N	A/W	R410A	760x855x(1780+150)
AS-1300	650kg	250kg	220V/1600W	F	A/W	R410A	760x855x(1780+150)
AS-2100	1000kg	400kg	220V/2600W	F/N	A/W	R410A	1220x855x(1780+150)

注: AS系列产冰量测试条件: 环温 21°C, 水温 15°C, 出厂标准为F(碎冰), N(矿形冰)需订制。
Note: AS Series Ice Production Testing Conditions — ambient temperature 21°C, water temperature 15°C. Factory standard ice shape: F (flaked ice); N (nugget ice) available by custom order.

AM系列——自动出冰机

AM—Automatic Ice Dispenser



方形冰/半方形冰



矿形冰



可选择
Chose

特点

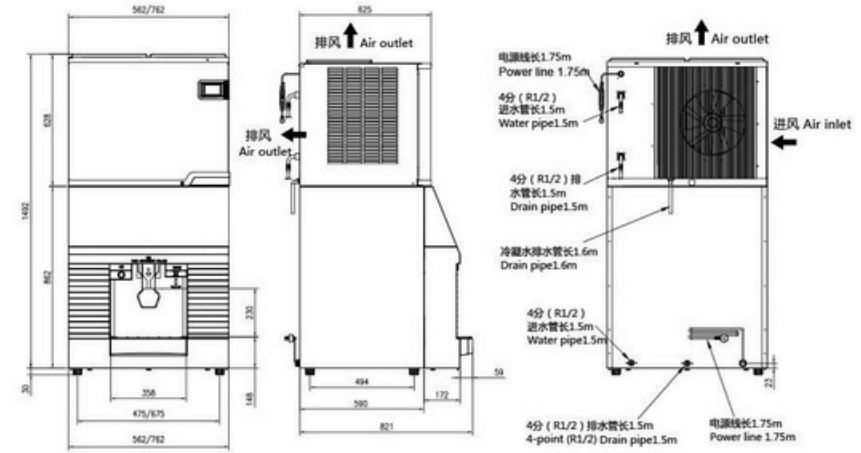
- 1) 体积小可满足空间狭小的场所。
- 2) 可根据客户要求定制不锈钢、烤漆柜体。
- 3) 可适应45°C高温, 保证机器在高温下正常工作。
- 4) 环保制冷剂R290, 制冰更高效、可减少大气层污染。
- 5) 电脑版智能控制, 自动制冰, 自动落冰、自动清洗、故障报警。
- 6) 方便使用的自动清洗功能, 将清洗药水倒入水槽中, 约25分钟完成清洗流程。
- 7) 采用304不锈钢及ABS工程塑料, PE材质圆角储水桶, 造型美观、坚固、耐用。
- 8) 易于维修和保养, 无需工具可拆装空气过滤网、水槽、分水管等部件, 节约人力成本。
- 9) 主要部件(国际一线品牌), 蒸发盘为HISAKAGE独有设计, 制冷效率更高效、更节能。
- 10) 可选矿型冰、方冰、半方冰、适用于快餐店、西餐厅、咖啡店、便利店等行业。

Features

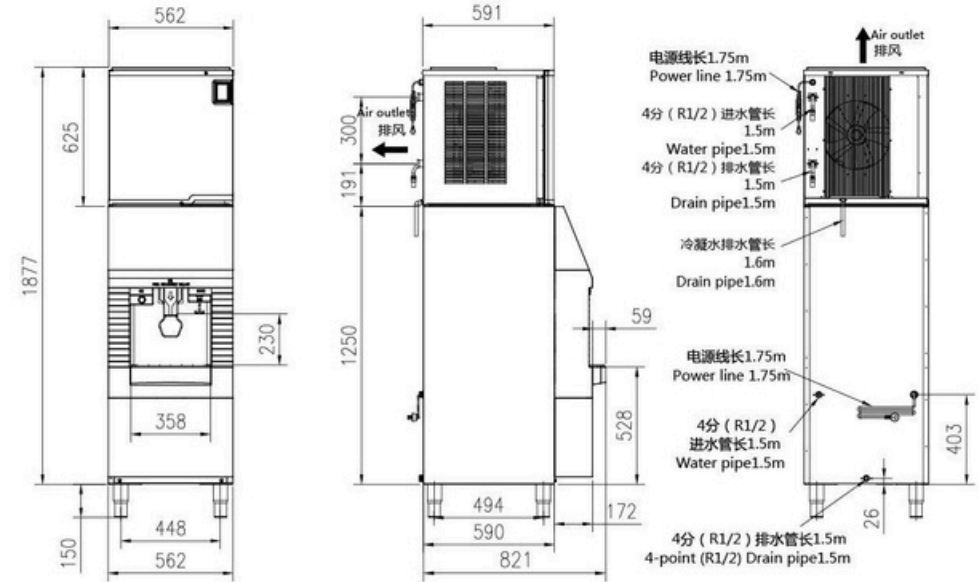
- 1) Compact design — ideal for limited spaces.
- 2) Customizable cabinet — stainless steel or painted options.
- 3) Stable performance in ambient temperatures up to 45°C.
- 4) Eco-friendly R290 refrigerant for higher efficiency and lower environmental impact.
- 5) Intelligent control: automatic ice making, harvesting, cleaning, and alarm system.
- 6) One-touch cleaning. Add cleaning solution to the water trough — cycle completes in about 25 minutes.
- 7) Durable construction with SS304 stainless steel and ABS. PE ice bin with rounded corners — strong and reliable.
- 8) Tool-free maintenance. Removable air filter, water tank, and distribution tube.
- 9) Premium international components. Unique evaporator design for higher efficiency and energy savings.
- 10) Multiple ice types: nugget, cube, and half-cube. Ideal for fast food restaurants, Western restaurants, coffee shops, convenience stores, and similar applications.



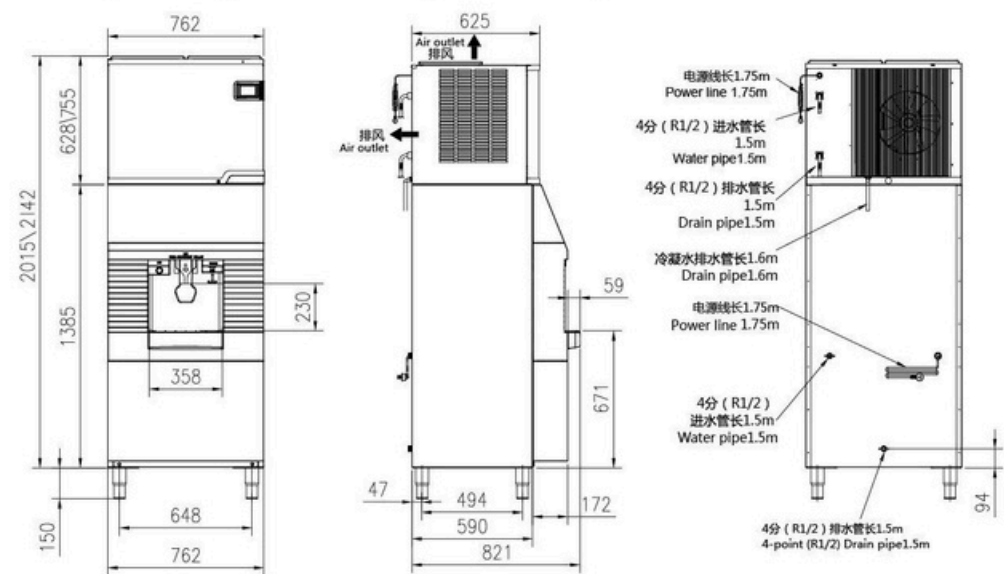
AM-500B/700B



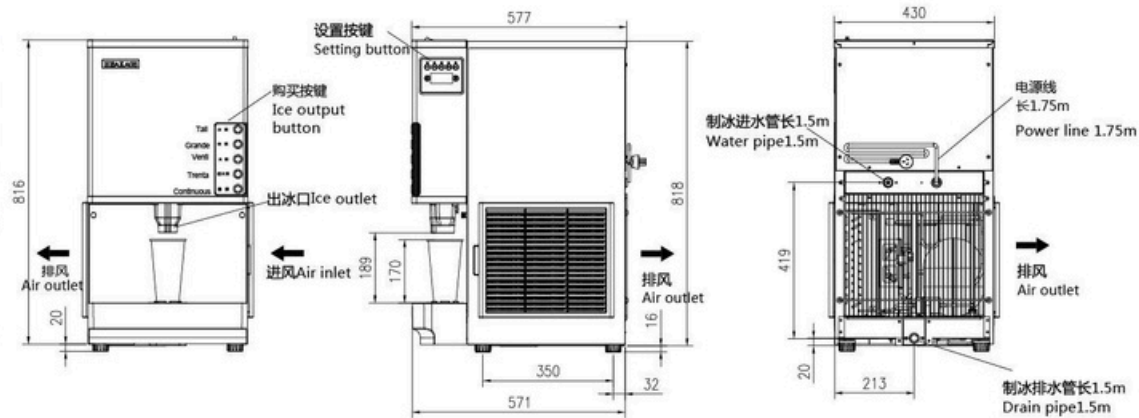
AM-500



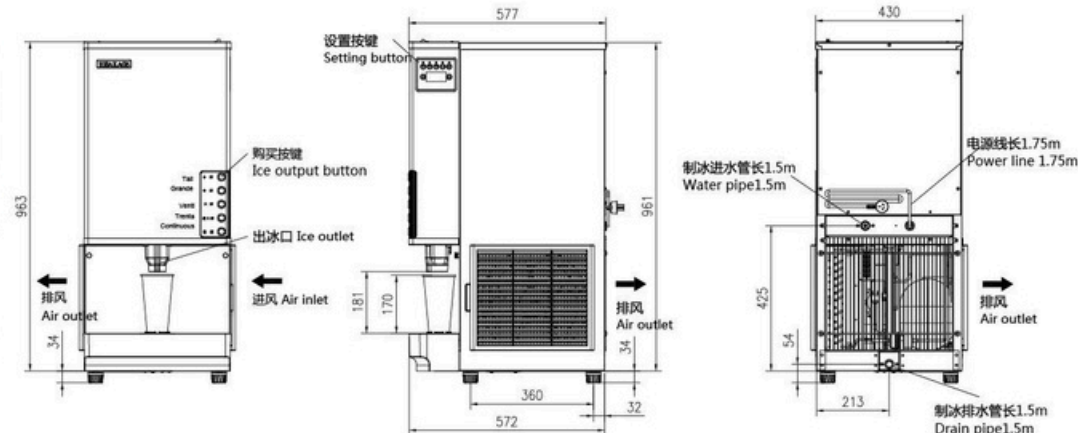
AM-700/1050



AM-350



AM-450



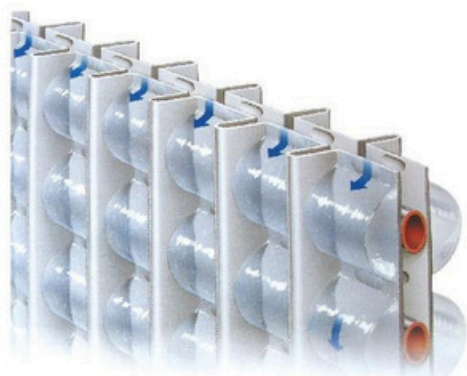
型号 Model	产冰量 Capacity	储冰量 Storage	电压、功率 Voltage, Power	冰型 Ice type	制冷方式 Cooling type	制冷剂 Refrigerant	机器尺寸 Machine Dimensions(mm)
AM-350	150kg	6kg	220V/660W	N	A	R290	430 × 576 × (820+30)
AM-450	200kg	11kg	220V/830W	N	A	R290	430 × 576 × (960+30)
AM-500B	220kg	60kg	220V/850W	M/S	A/W	R410A	560 × 820 × (1490+30)
AM-700B	320kg	90kg	220V/1050W	M/S	A/W	R410A	760 × 820 × (1490+30)
AM-500	220kg	60kg	220V/850W	M/S	A/W	R410A	560 × 820 × (1877+150)
AM-700	320kg	90kg	220V/1050W	M/S	A/W	R410A	760 × 820 × (2015+150)
AM-1050	450kg	90kg	220V/1650W	M/S	A/W	R410A	760 × 820 × (2145+150)

注: AM系列产冰量测试条件: 环境温度 21°C, 水温 15°C, 出厂标准为M(方冰), S(半冰)需订制。

Note: AM Series Ice Production Testing Conditions — ambient temperature 21°C, water temperature 15°C. Factory standard ice shape: M (cube); S (half cube) available by custom order.

JM系列——月形冰

JM—Crescent



流水式双面制冰

蒸发温度-20℃

冰块中心温度 -13℃

Flowing double-sided ice making

Evaporation temperature: -20℃

Ice center temperature: -13℃



JM: 月形冰(Crescent)

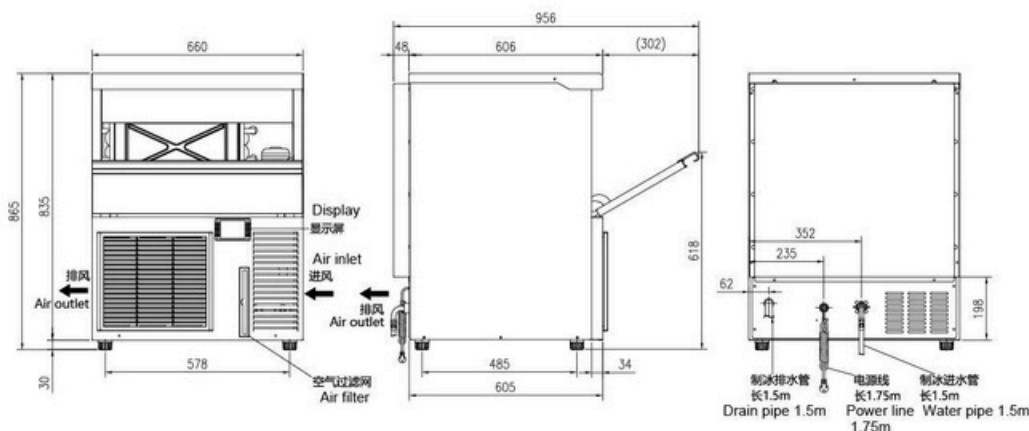
重量/Weight: 10g

含水量/Water content: 2%

尺寸/Dimension: 30x13x38mm



JM-120/200



型号 Model	产冰量 Capacity	储冰量 Storage	电压、功率 Voltage/Power	冰型 Ice type	制冷方式 Cooling type	制冷剂 Refrigerant	机器尺寸 Machine Dimensions(mm)
JM-120	55kg	30kg	220V/320W	JM	A	R290	660X655X(830+100)
JM-200	90kg	30kg	220V/460W	JM	A	R290	660X655X(830+100)
JM-500	200kg	160kg	220V/830W	JM	A/W	R410A	560x855x(1780+150)
JM-700	300kg	250kg	220V/1050W	JM	A/W	R410A	760X855X(1890+150)
JM-1000	400kg	250kg	220V/1650W	JM	A/W	R410A	760x855x(1890+150)

注: JM系列产冰量测试条件: 环温 21℃, 水温 15℃。
Note: JM series testing condition: Air 21℃, Water 15℃.

特点

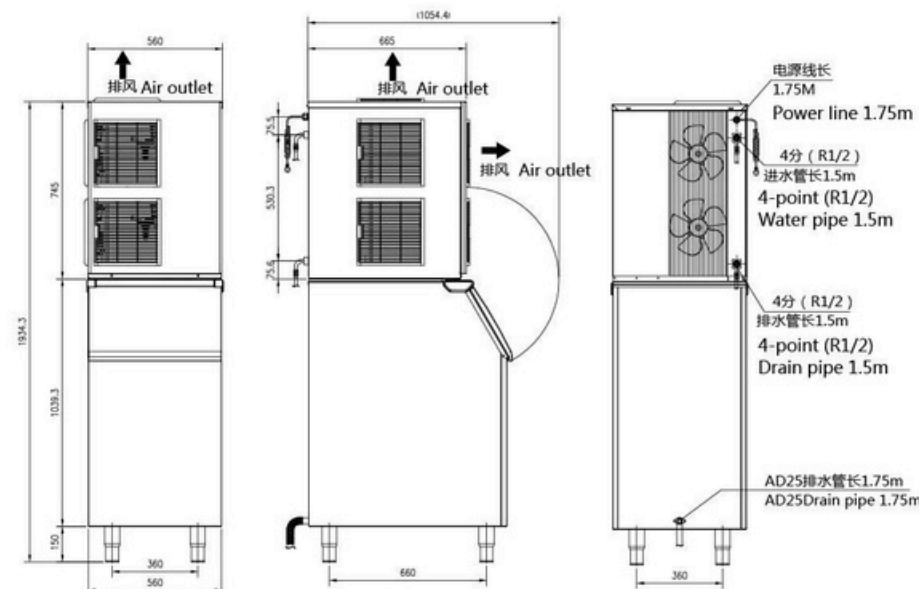
- 1) 实芯冰块、坚硬不易融化、透明度高。
- 2) 可适应45℃高温, 保证机器在高温下正常工作。
- 3) 环保制冷剂R290, 制冰更高效、可减少大气层污染。
- 4) 流水式双面制冰, 蒸发温度-20℃, 冰块中心温度-13℃。
- 5) 电脑版智能控制, 自动制冰, 自动落冰、自动清洗、故障报警。
- 6) 方便使用的自动清洗功能、将清洗药水倒入水槽中, 约25分钟完成清洗流程。
- 7) 采用304不锈钢及ABS工程塑料, PE材质圆角储水桶, 造型美观、坚固、耐用。
- 8) 易于维修和保养, 无需工具可拆装空气过滤网、水槽、分水管等部件, 节约人力成本。
- 9) 主要部件(国际一线品牌), 蒸发盘为HISAKAGE独有设计、制冷效率更高效、更节能。
- 10) 适用于饮品制作, 饮料店、咖啡店、果汁吧等, 可快速冷却所需饮品。

Features

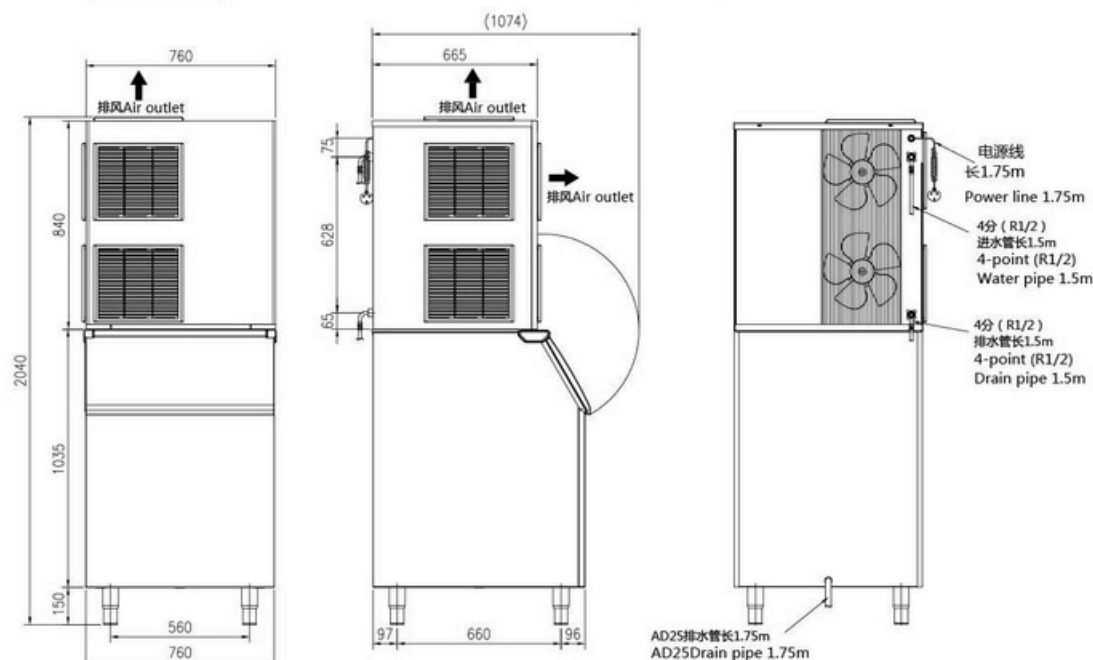
- 1) Solid ice cubes — hard, slow-melting, and highly transparent.
- 2) Stable performance in ambient temperatures up to 45°C.
- 3) Eco-friendly R290 refrigerant for higher efficiency and lower environmental impact.
- 4) Flow-type double-sided ice-making system. Evaporation temp: -20°C | Ice core temp: -13°C.
- 5) Intelligent control: automatic ice making, harvesting, cleaning, and alarm system.
- 6) One-touch cleaning. Add cleaning solution to the water trough — cycle completes in about 25 minutes.
- 7) Durable construction with SS304 stainless steel and ABS. PE ice bin with rounded corners — strong and reliable.
- 8) Tool-free maintenance. Removable air filter, water trough, and distribution tube.
- 9) Premium international components. Unique evaporator design for higher efficiency and energy savings.
- 10) Ideal for beverage stores, coffee bars, juice bars, and similar applications.



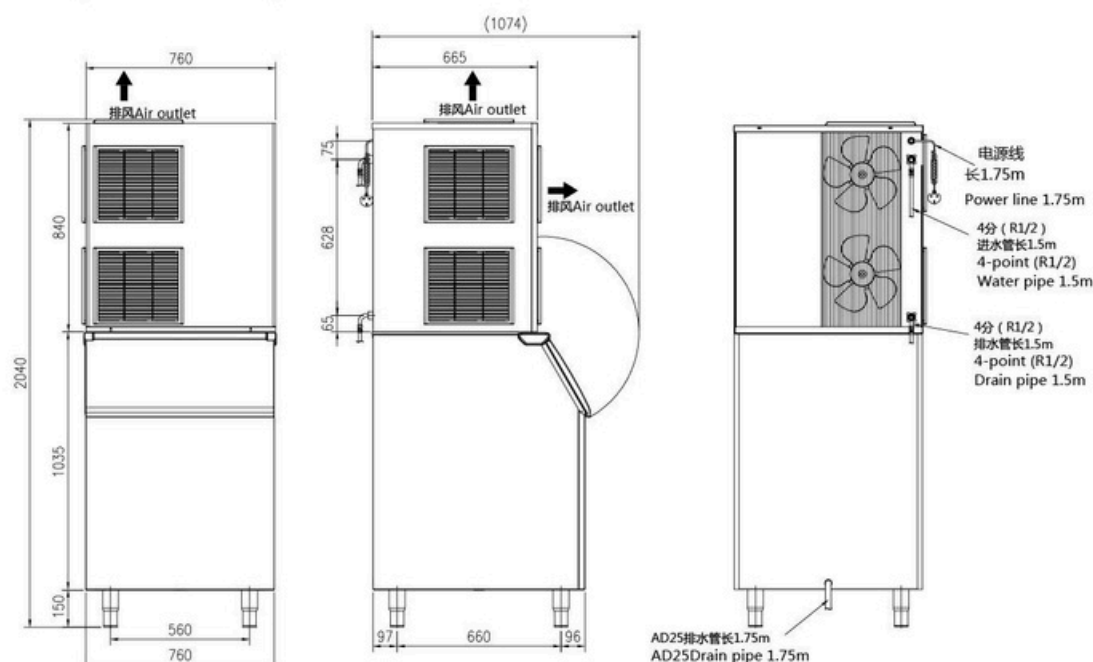
JM-500



JM-700



JM-1000

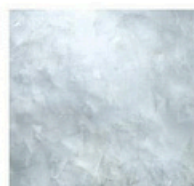


AP系列——鳞片冰

AP—Scale



立式滚筒制冰
 蒸发温度-28℃
片冰中心温度 -15℃
 Vertical cylinder ice making
 Evaporation temperature: -28℃
 Scale ice center temperature: -15℃



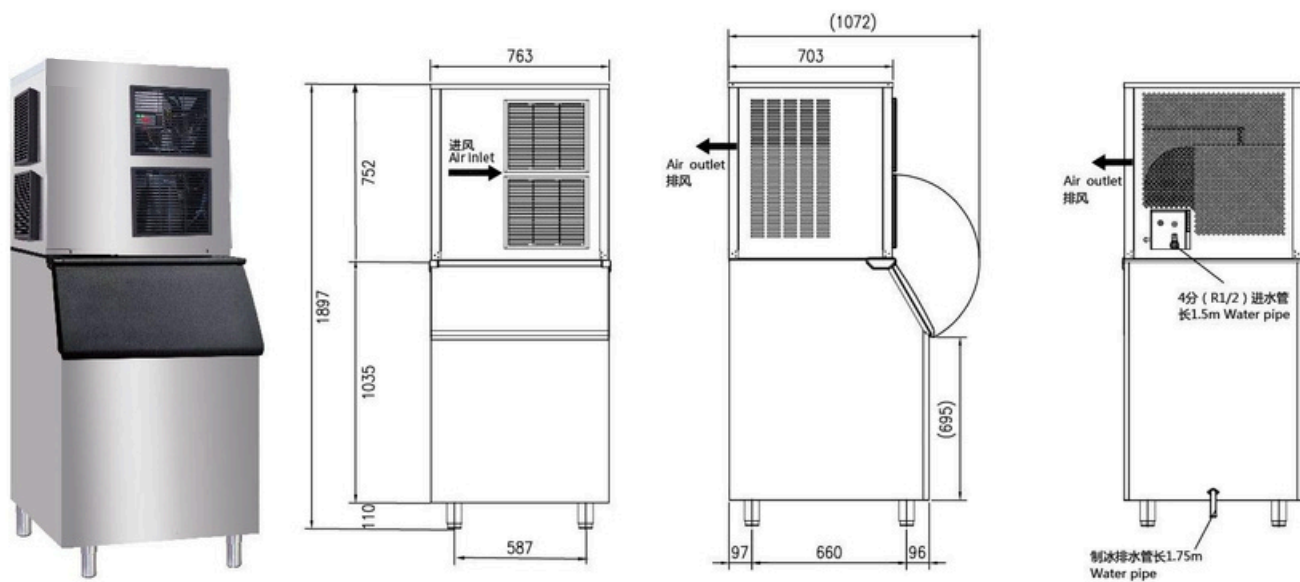
AP: 鳞片冰(Scale)
 重量/Weight: 3g
 含水量/Water content: 2%
 尺寸/Dimension: 15x10x2mm

特点

- 1) 鳞片冰小于2%的含水量, 不易融化。
- 2) 可适应45℃高温, 保证机器在高温下正常工作。
- 3) 环保制冷剂, 制冰更高效、可减少大气层污染。
- 4) 立式滚筒制冰, 蒸发温度-28℃, 冰块中心温度-15℃。
- 5) 电脑版智能控制, 自动制冰、自动落冰、自动清洗、故障报警。
- 6) 方便使用的自动清洗功能、将清洗药水倒入水槽中, 约25分钟完成清洗流程。
- 7) 采用304不锈钢及ABS工程塑料, PE注塑圆角储冰桶, 造型美观、坚固、耐用。
- 8) 易于维修和保养, 无需工具可拆装空气过滤网、水槽、分水管等部件, 节约人力成本。
- 9) 主要部件(国际一线品牌), 蒸发盘为HISAKAGE独有设计、制冷效果更高效、更节能。
- 10) 适用于工业生产, 海鲜展示、运输、和面, 肉类加工等行业。

Features

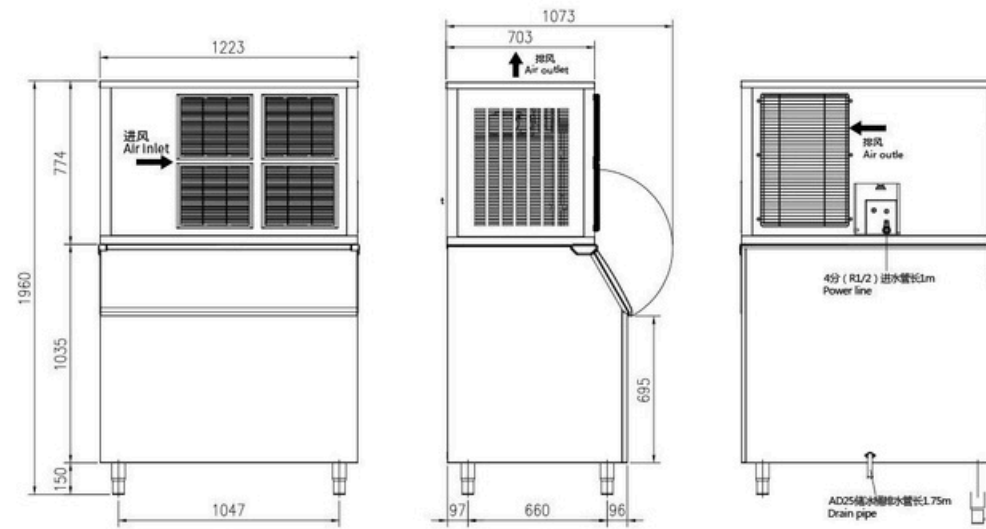
- 1) Scale ice with less than 2% water content, slow-melting.
- 2) Stable performance in ambient temperatures up to 45°C.
- 3) Eco-friendly refrigerant for higher efficiency and lower environmental impact.
- 4) Vertical cylindrical ice-making system. Evaporation temp: -28°C | Ice core temp: -15°C.
- 5) Intelligent control: automatic ice making, harvesting, cleaning, and alarm system.
- 6) One-touch cleaning. Add cleaning solution to the water trough — cycle completes in about 25 minutes.
- 7) Durable construction with SS304 stainless steel and ABS. PE ice bin with rounded corners — strong and reliable.
- 8) Tool-free maintenance. Removable air filters, water tank, and distribution pipes.
- 9) Premium international components. Unique evaporator design for higher efficiency and energy savings.
- 10) Ideal for industrial production, seafood display, transportation, dough mixing, meat processing, and similar applications.



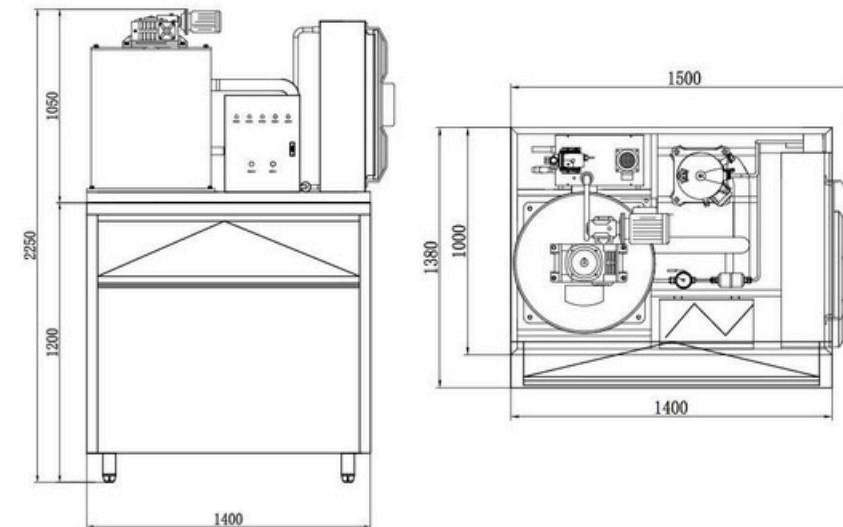
AP-0.3



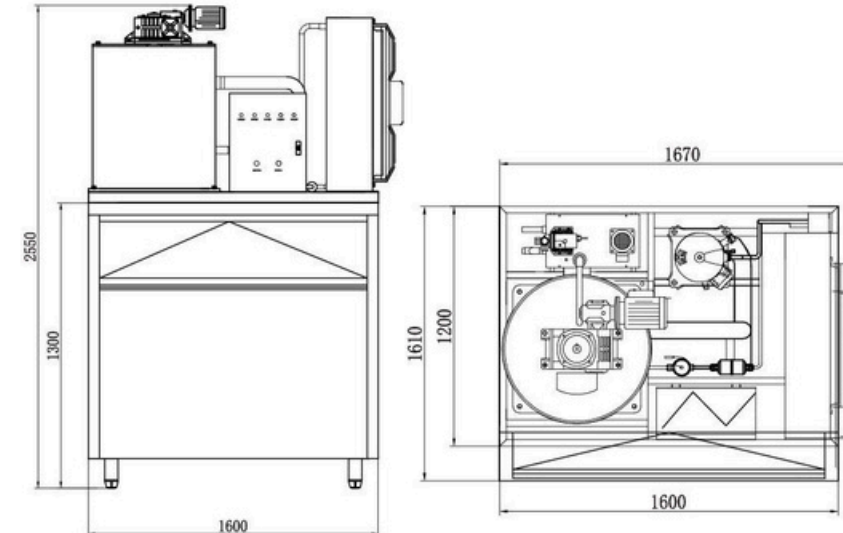
AP-0.6/1



AP-2



AP-3



*以上片冰机建议配置盐水泵使用。
 *Options for brine pump.

型号 Model	产冰量 Capacity	储冰量 Storage	电压、功率 Voltage, Power	冰型 Ice type	制冷方式 Cooling type	制冷剂 Refrigerant	机器尺寸 Machine Dimensions(mm)
AP-0.3	350kg	250kg	220V/1050W	AP	AW	R410A	760x855x(1785+150)
AP-0.6	600kg	400kg	380V/1650W	AP	AW	R410A	1220x855x(1805+150)
AP-1	1000kg	400kg	380V/2850W	AP	AW	R410A	1220x855x(1805+150)
AP-2	2000kg	600kg	380V/5500W	AP	AW	R404A	1500x1380x2250
AP-3	3000kg	1200kg	380V/11600W	AP	AW	R404A	1670x1610x2550

注: AP系列产冰量测试条件: 环温 21℃, 水温 15℃。
 Note: AP series testing condition: Air 21°C, Water 15°C.