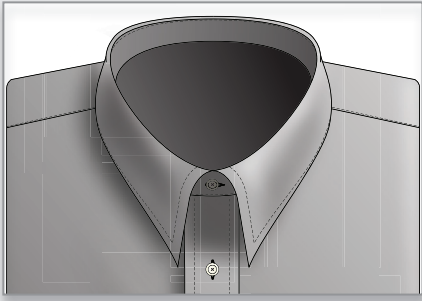


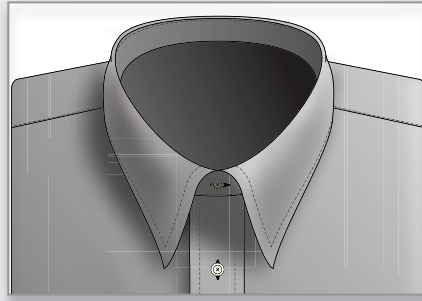
SHIRT STYLING FEATURES



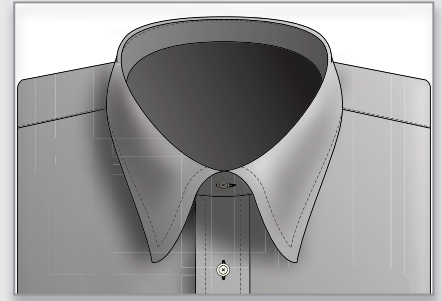
Collar Styles



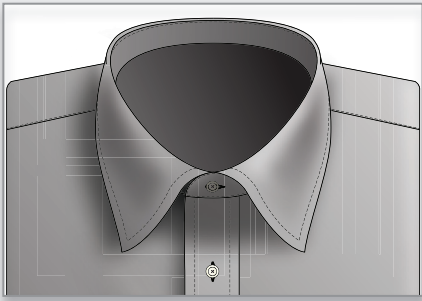
XNP
Extra Narrow Point



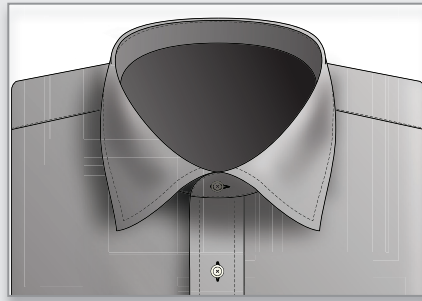
NP-1
Narrow Point



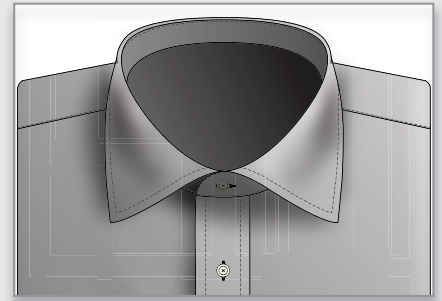
CP-1
Classic Point



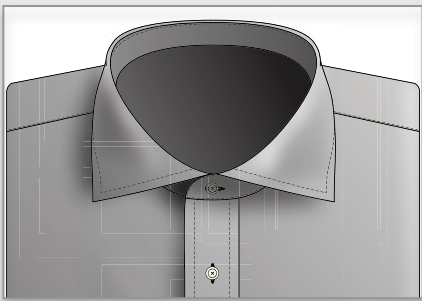
MP-1
Madison Point



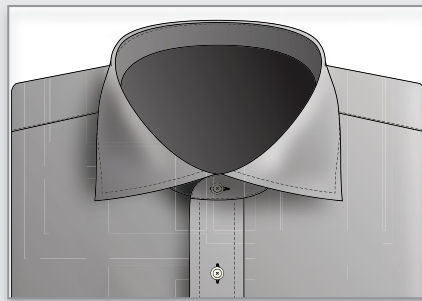
WS-1
Windsor Spread



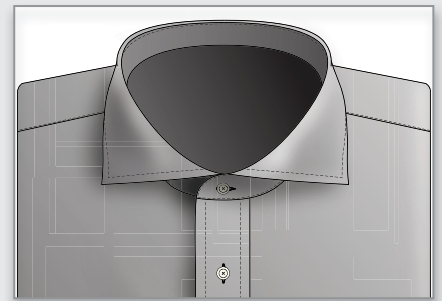
AS-1
American Spread



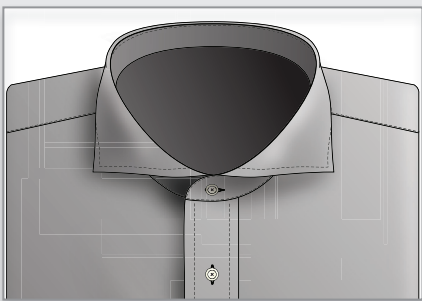
BS-1
British Spread



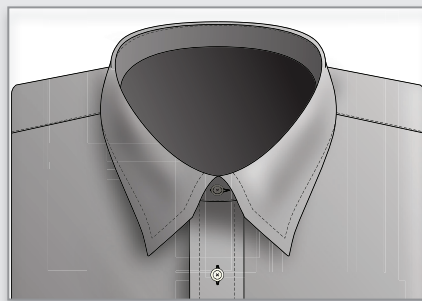
IS-1
Italian Spread



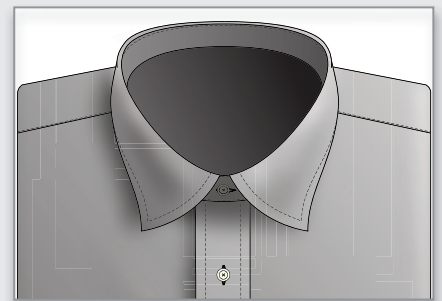
FS-1
Fashion Spread 1



FS-2
Fashion Spread 2

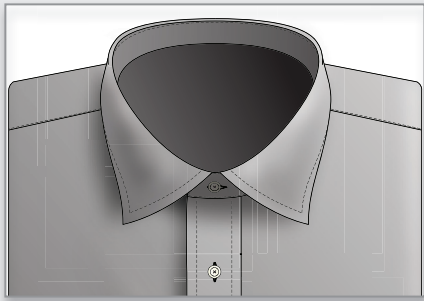


MS-1
Mitered Spread

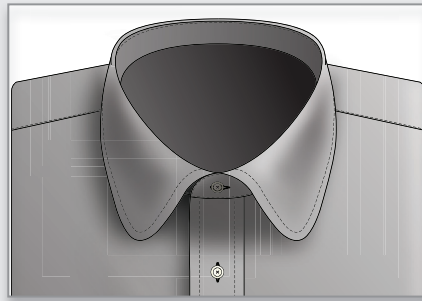


NCS
Narrow Curve Spread

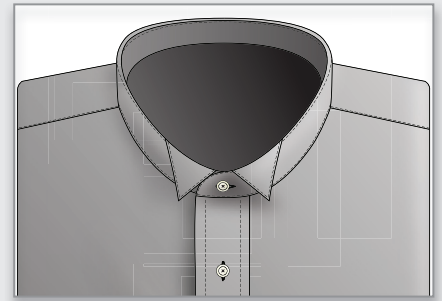
Collar Styles



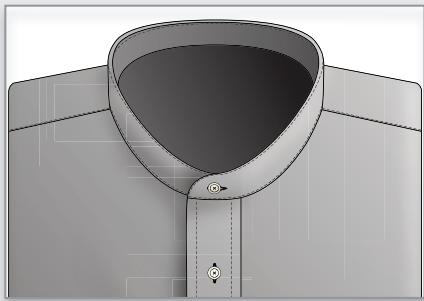
CS-1
Curve Spread



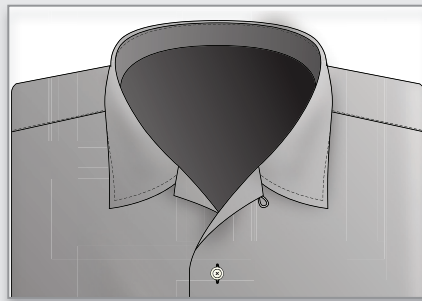
RP-1
Round Point (Madison)



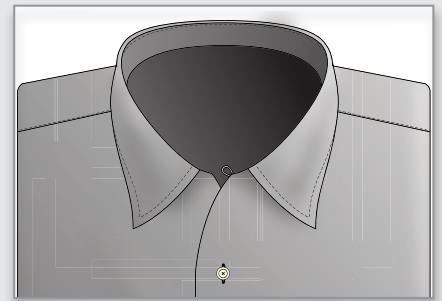
WC-1
Wing Collar



BC-1
Band Collar

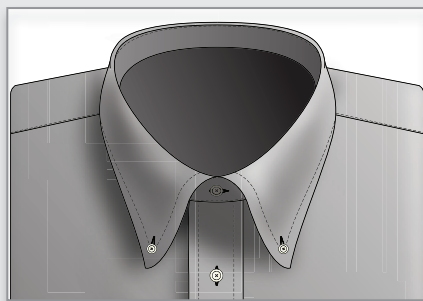


Camp Collar (Loop)

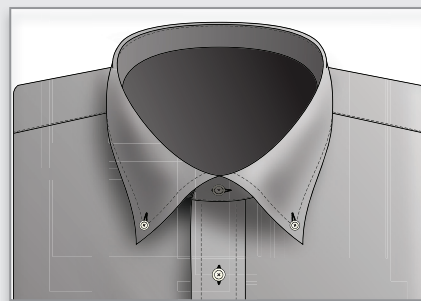


Camp Collar (No Loop)

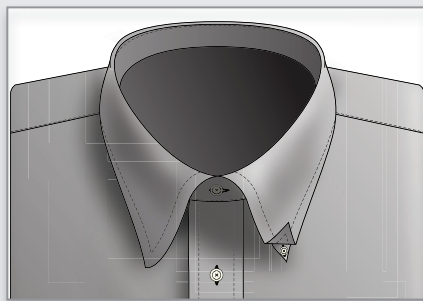
CAMP



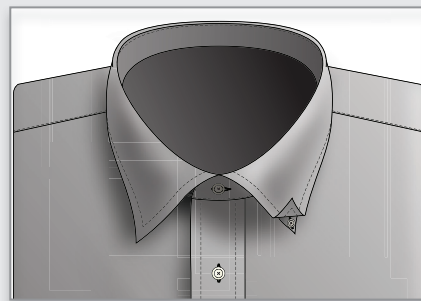
BD-1
Button Down (Classic)



BD-2
Button Down (Madison)

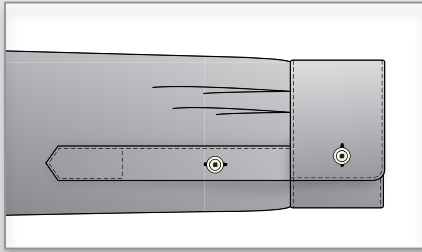


HB-1
Hidden Button Down (Classic)

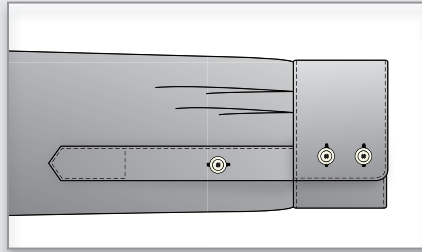


HB-2
Hidden Button Down (Madison)

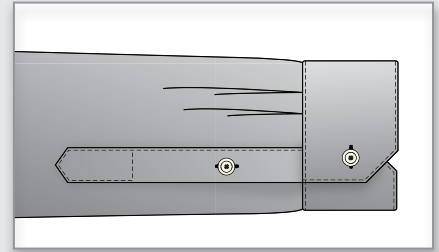
Cuff Styles



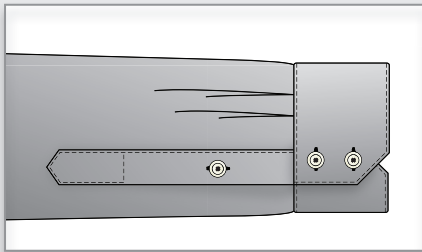
1-B
One Button Barrel



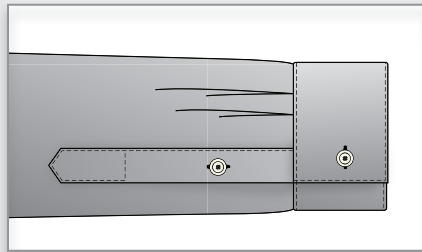
2-B
Two Button Barrel



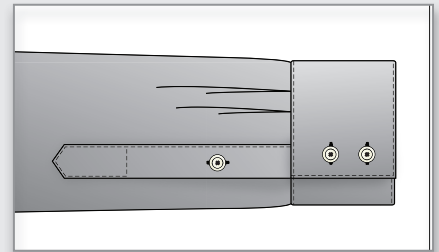
M-1
One Button Mitered



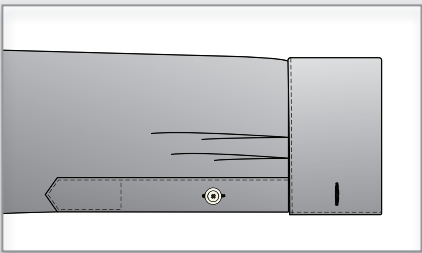
M-2
Two Button Mitered



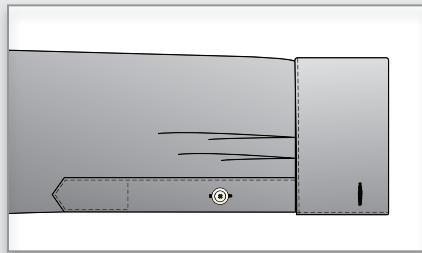
S-1
One Button Square



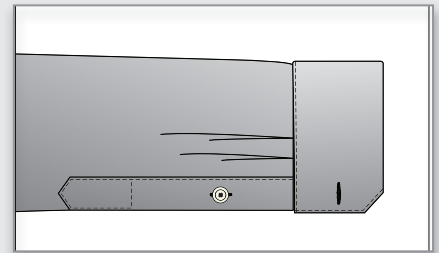
S-2
Two Button Square



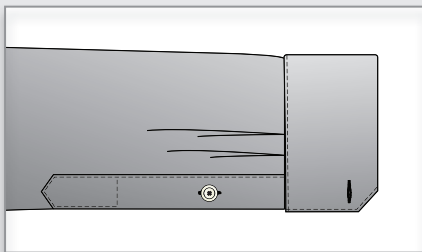
FC-1 CC
Classic French (Center Link)



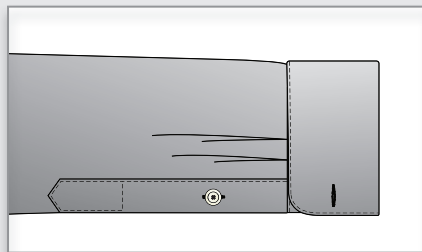
FC-2 CF
Classic French (Forward Link)



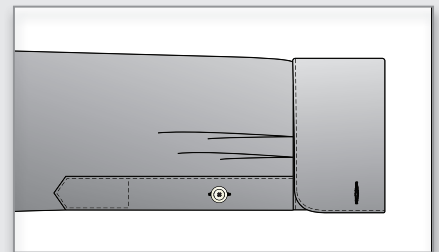
FC-3 AMC
Angle Mitered French (Center Link)



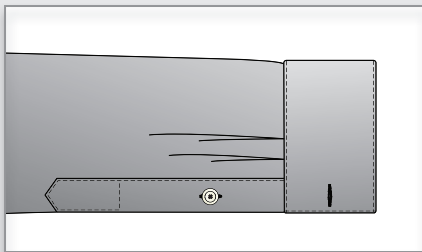
FC-4 AMF
Angle Mitered French (Forward Link)



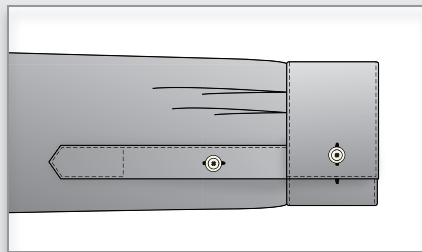
FC-7 RC
Rounded French (Center Link)



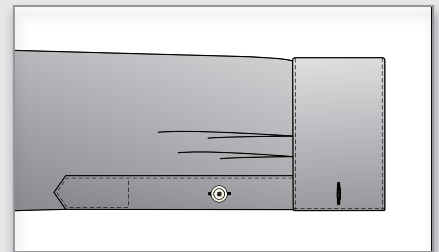
FC-8 RF
Rounded French (Forward Link)



NFFC
Non Fold French

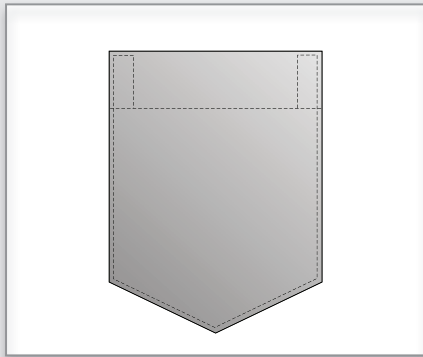


CC-1
Non Fold Convertible

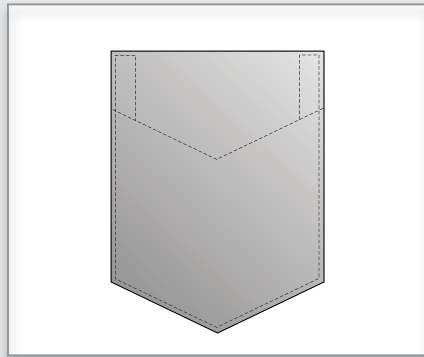


CC-1
Non Fold Mitered Convertible
French One Button

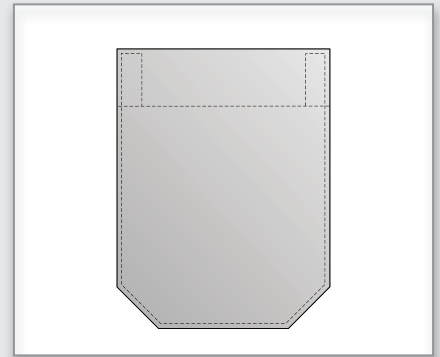
Pocket Styles



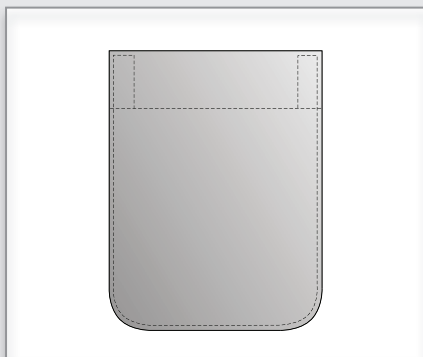
Plain



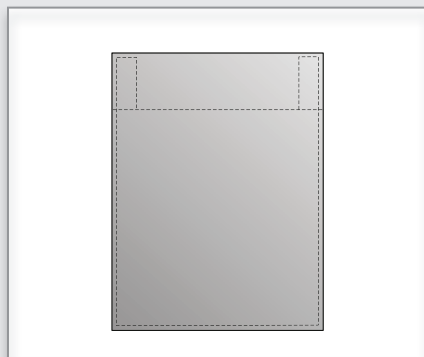
V Hem



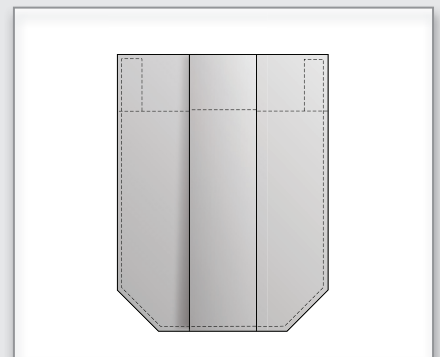
Mitered Bottom



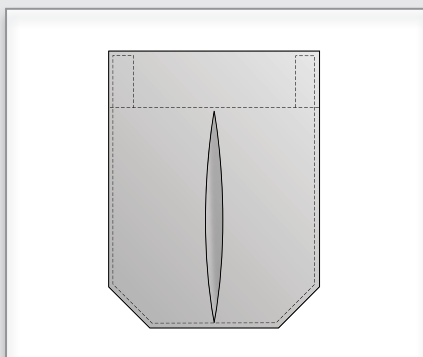
Rounded Bottom



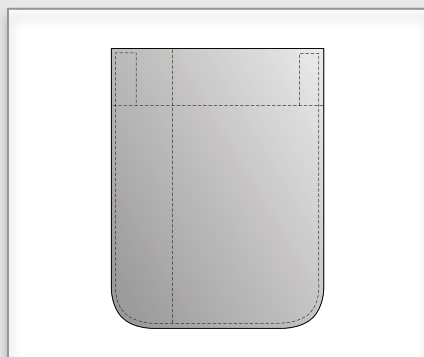
Square



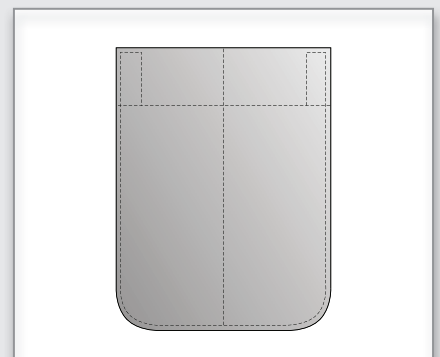
Pleated



Inverted Pleat

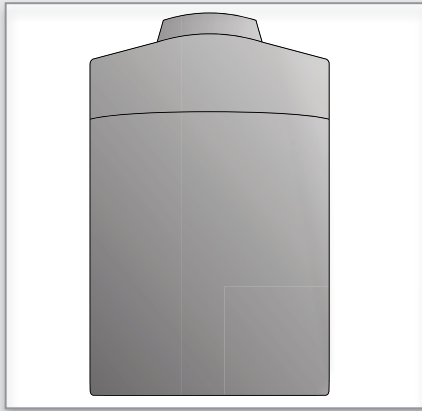


Pen Pocket

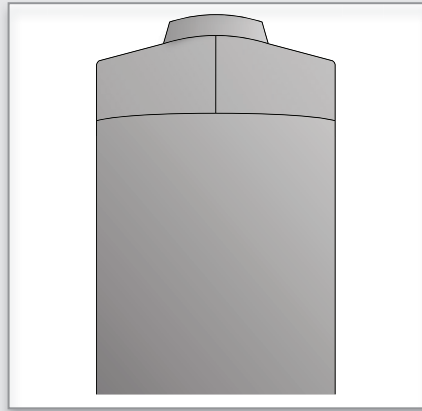


Eyeglass Pocket

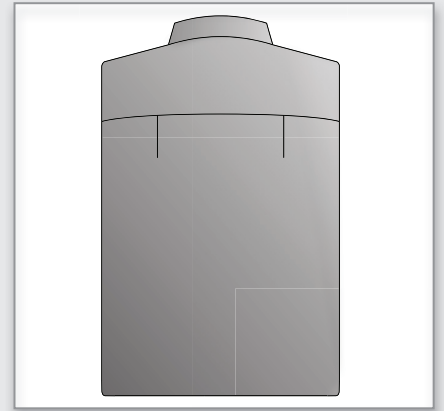
Back Styles



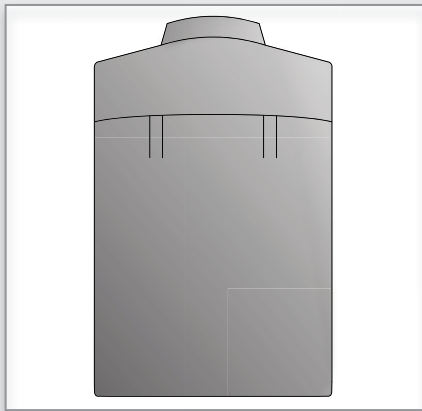
Plain



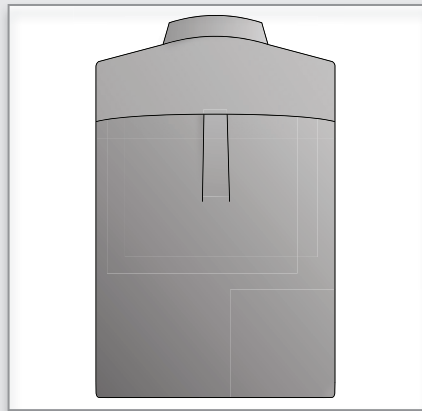
Split Yoke



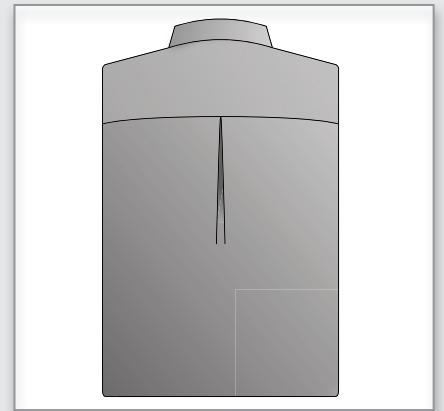
Shoulder Pleats



Double Shoulder Pleats



Center Box Pleat



Inverted Center Box Pleat

Tail Styles



Rounded Bottom
(Standard)

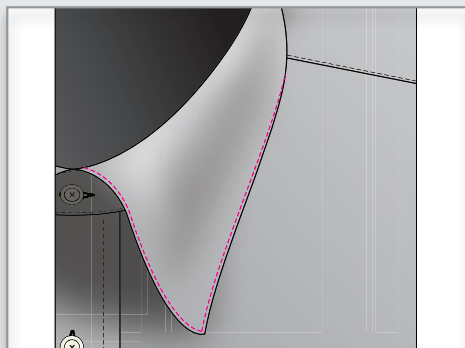


Square Bottom

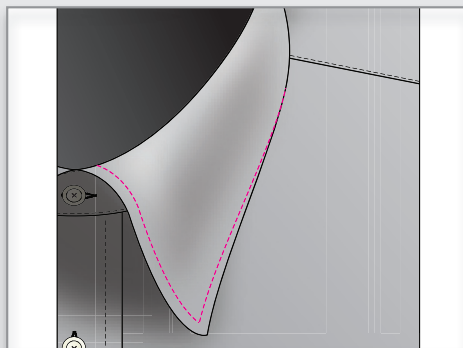


Square Bottom
with Side Vent

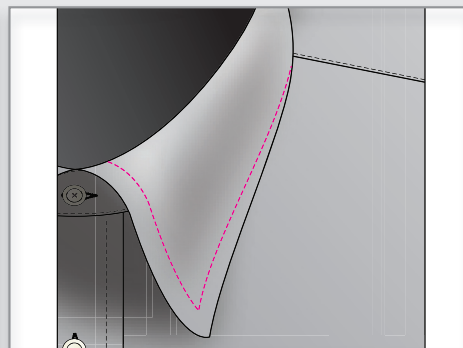
Collar Stitching Positions



1/16" Stitching

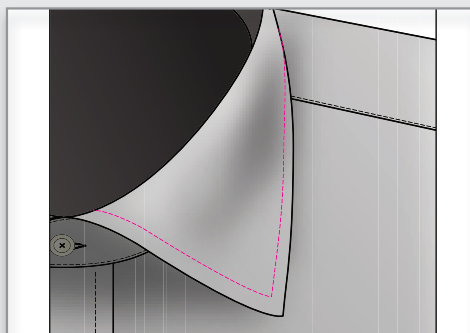


1/8" Stitching

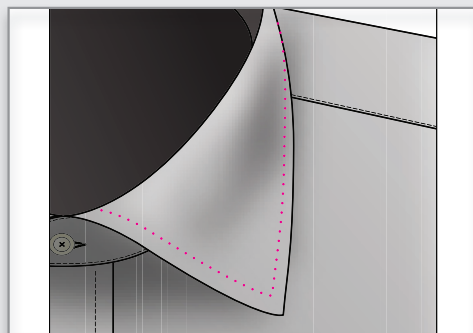


1/4" Stitching

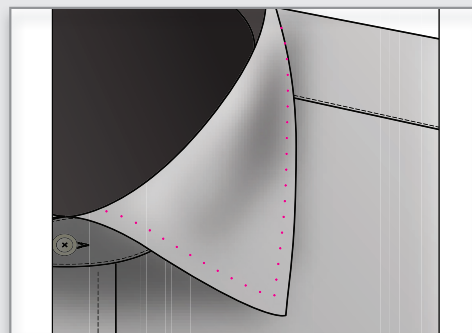
Collar Stitching



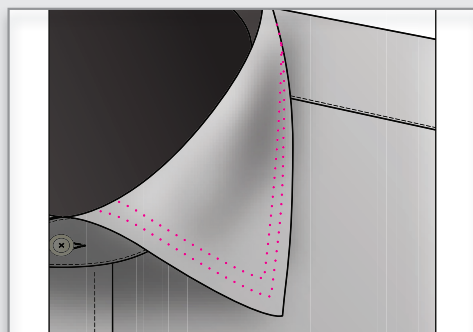
Single Needle
1/16", 1/8" and 1/4" Stitching positions available



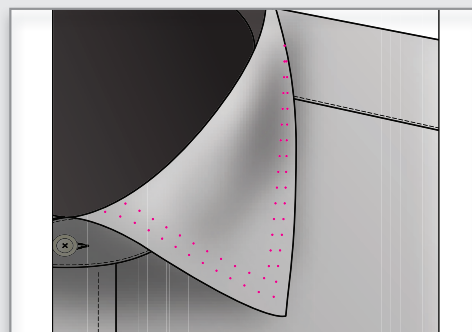
Pic Stitch
1/4" Stitching position available



Wide Pic Stitch
1/4" Stitching position available



Double Pic Stitch
1/4" Stitching position available



Double Wide Pic Stitch
1/4" Stitching position available

Monogram Locations

RB = Right Breast

LB = Left Breast

RW = Right Waist

LW = Left Waist

RC = Right Cuff

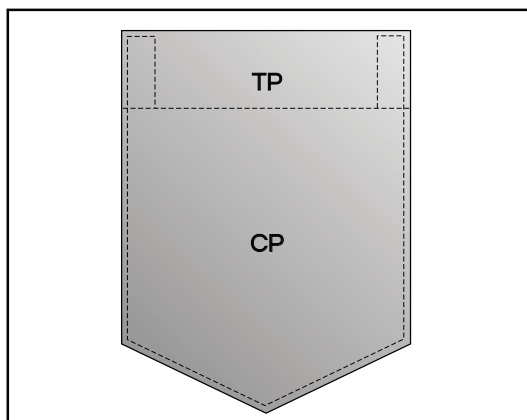
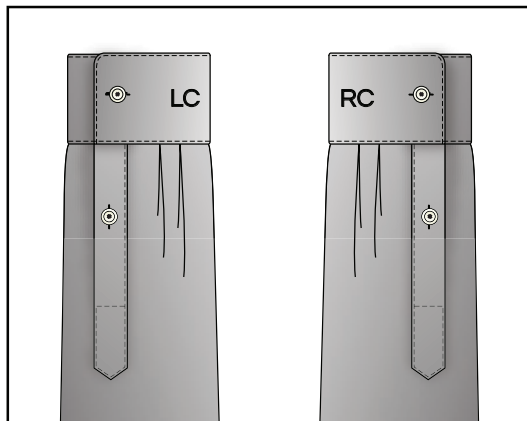
LC = Left Cuff

TP = Top Pocket

CP = Center Pocket

IY = Inside Yoke

IYBL = Inside Yoke Below Label



Monogram Fonts

*ABCDEFGHIJKLMN OPQRSTUVWXYZ
abcdefghijklmnopqrstu vxyz
1234567890?!&.,#@*~;:\$%()+*

Calligraphy

**ABCDEFGHIJKLMN OPQRSTUVWXYZ
abcdefghijklmnopqrstu vxyz
1234567890?!&.,#@*~;:\$%()+**

Times Roman

**ABCDEFGHIJKLMN OPQRSTUVWXYZ
abcdefghijklmnopqrstu vxyz
1234567890?!&.,#@*~;:\$%()+**

Block

*अकखेइउ ऋऌॠॡॢॣ।॥०१०२३४५६७८९०१२३४५६७८९०
abcdefghijklmnopqrstu vxyz
1234567890?!&.,#@*~;:\$%()+*

Script

**ABCDEFGHIJKLMN OPQRSTUVWXYZ
1234567890?!&.,#@*~;:\$%()+**

Copper Plate

**ABCDEFGHIJKLMN OPQRSTUVWXYZ
abcdefghijklmnopqrstu vxyz
1234567890?!&.,#@*~;:\$%()+**

Rockwell

**ABCDEFGHIJKLMN OPQRSTUVWXYZ
abcdefghijklmnopqrstu vxyz
1234567890?!&.,#@*~;:\$%()+**

Bradley

**ABCDEFGHIJKLMN OPQRSTUVWXYZ
abcdefghijklmnopqrstu vxyz
1234567890?!&.,#@*~;:\$%()+**

Jazz

**ABCDEFGHIJKLMN OPQRSTUVWXYZ
abcdefghijklmnopqrstu vxyz
1234567890?!&.,#@*~;:\$%()+**

Dom Casual

Monogram Sizes

5 mm [Times Roman

6 mm [Times Roman

7 mm [Times Roman

8 mm [Times Roman

9 mm [Times Roman

Monogram Templates and Colors

Available Colors:

	Black
	Navy
	Royal Blue
	Med Blue
	Light Blue
	Med Gray
	Silver
	Red
	Burgandy
	White
	Tan
	Gold
	Taupe
	Yellow
	Purple
	Pink
	Salmon
	Chocolate
	Med Brown
	Green
	Charcoal
	Orange
	Lavander
	Dark Olive
	Fairway

Available Templates:



Diamond 1 Letter



Diamond 2 Letters



Diamond



Diamond 3 Letters V2



Diamond 3 Letters V3



Diamond 3 Letters V4



Stack 2 Letters



Circle 1 Letter



Circle 2 Letters



Circle 3 Letters



Varsity 1 Letter



Copper Plate 3 Letters



Script 1 Letter



Script 2 Letters



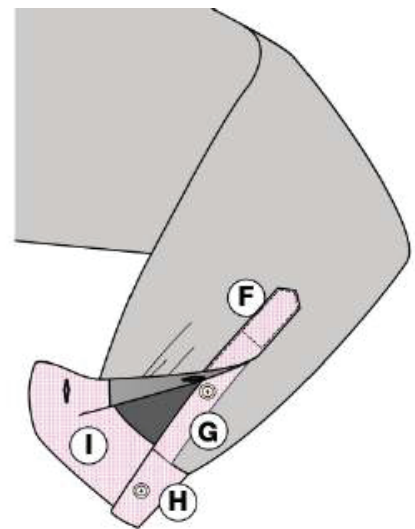
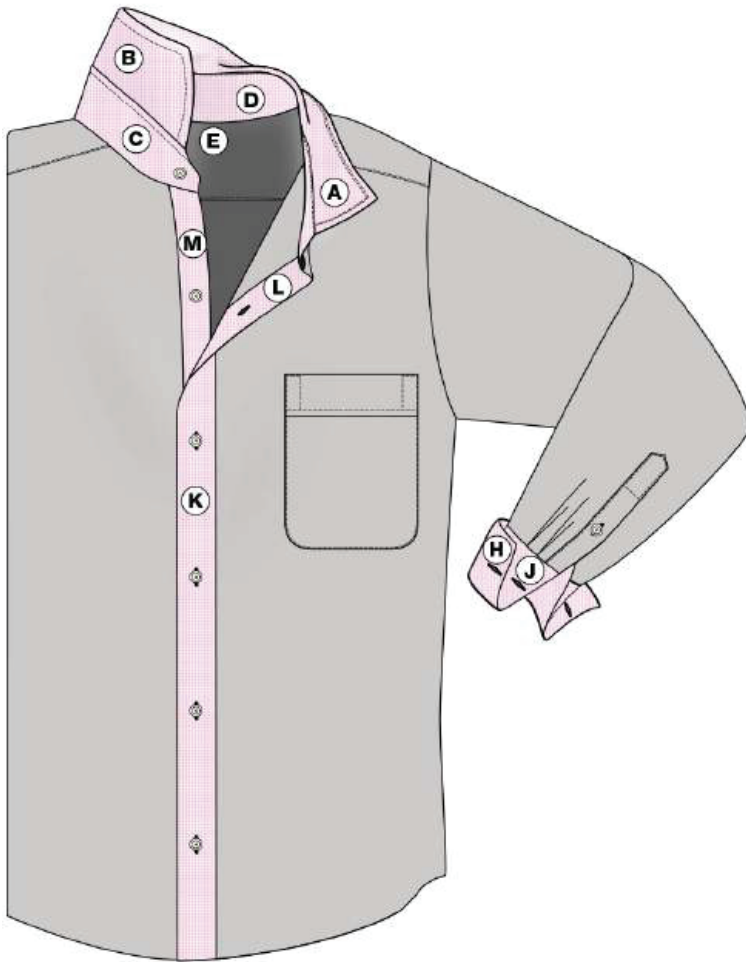
Script 3 Letters



Diagonal 2 Letters

Trim Positions

- A** - Top of Collar Leaf
- B** - Under Collar Leaf
- C** - Outside Neckband
- D** - Inside Neckband
- E** - Inside Yoke
- F** - Outside Large Sleeve Plackets
- G** - Outside Small Sleeve Plackets
- H** - Outside Cuff
- I** - Inside Of Barrel Cuff
- J** - Inside Of French Cuff
- K** - Outside Front Placket
- L** - Back Of Front Placket
- M** - Front Of Back Placket
- N** - Accent Edge Collar Points
- O** - Accent Edge Collar Leaf



O



N

