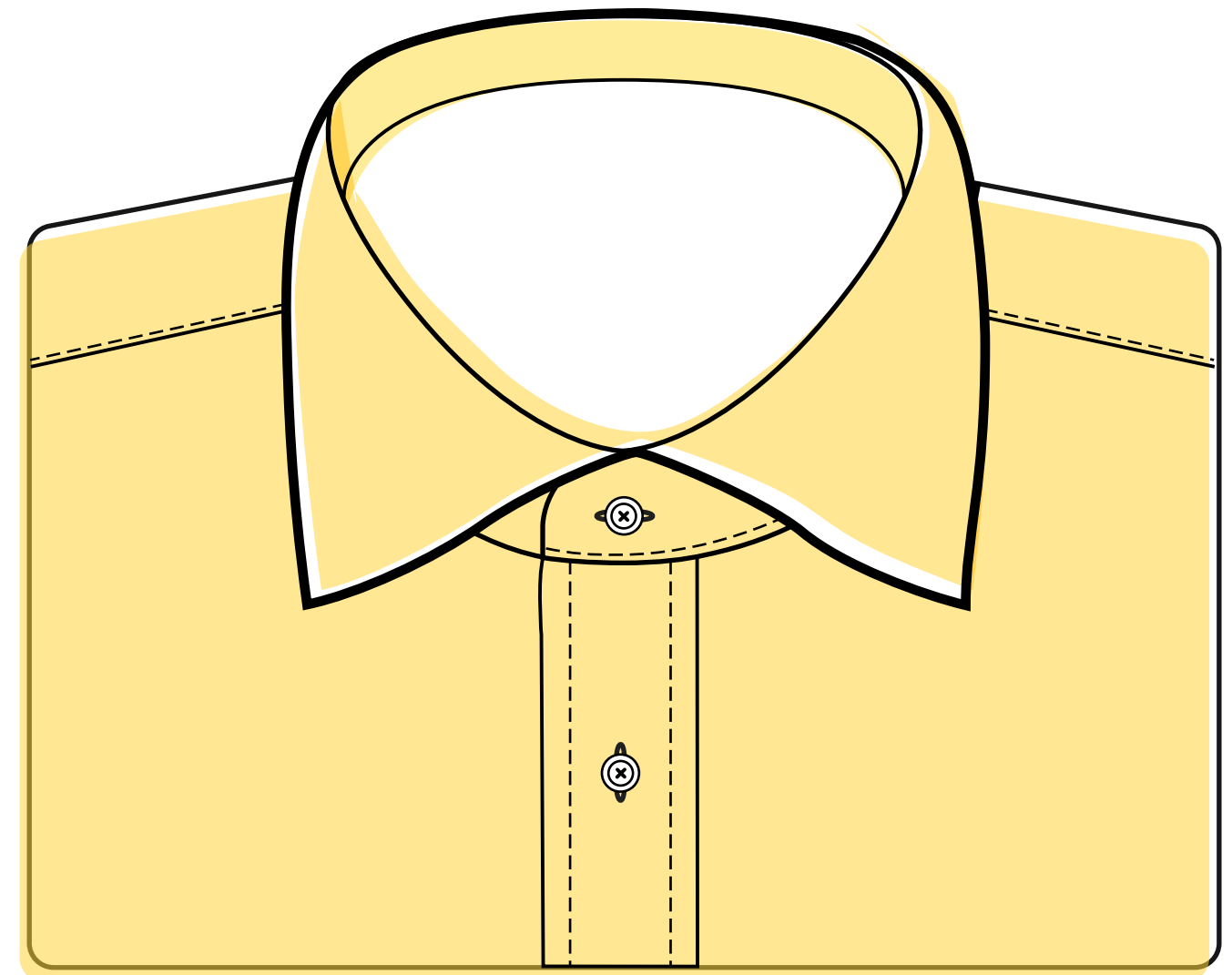
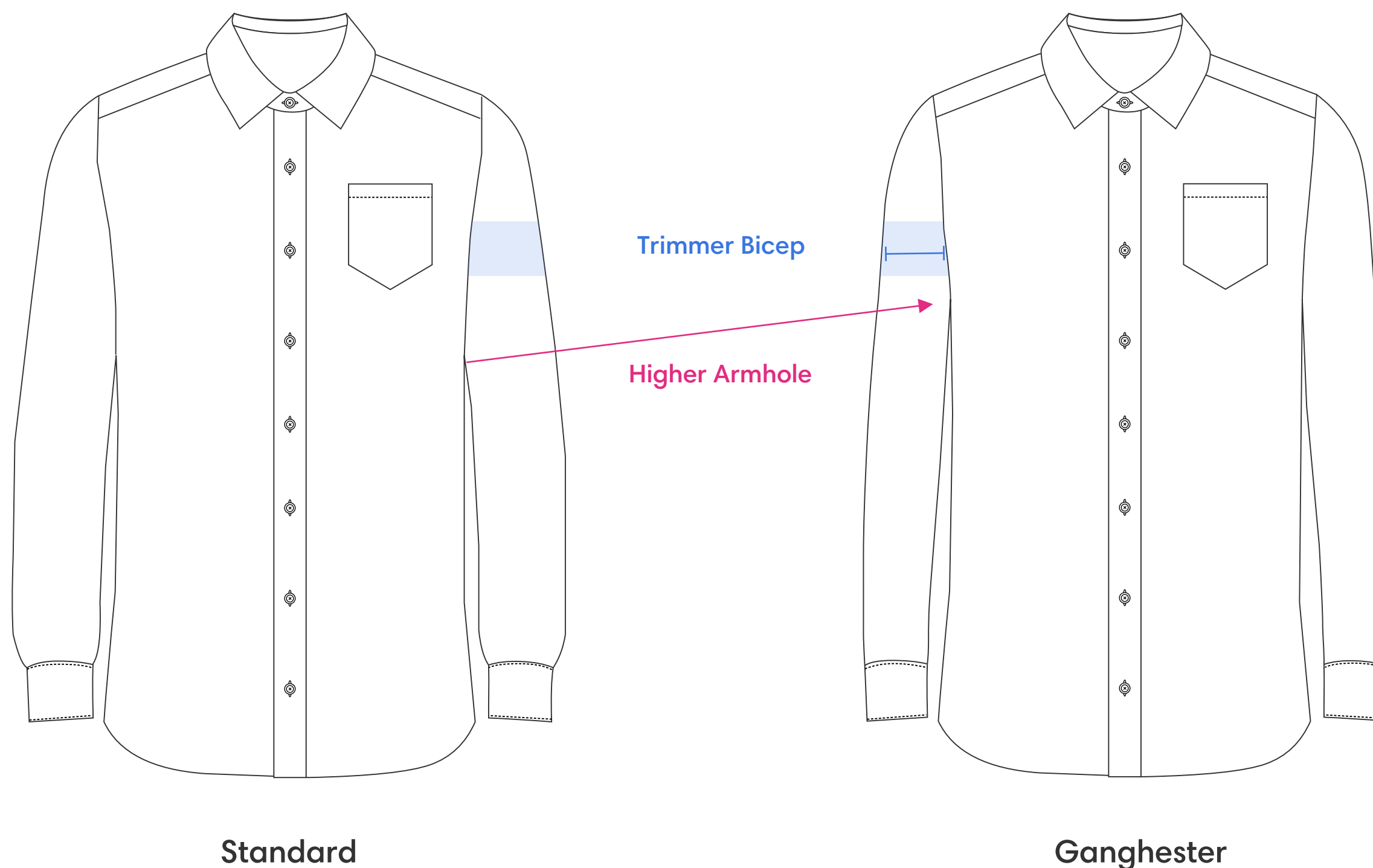


SHIRT

STYLES



Standard vs. Ganghester

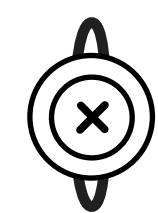
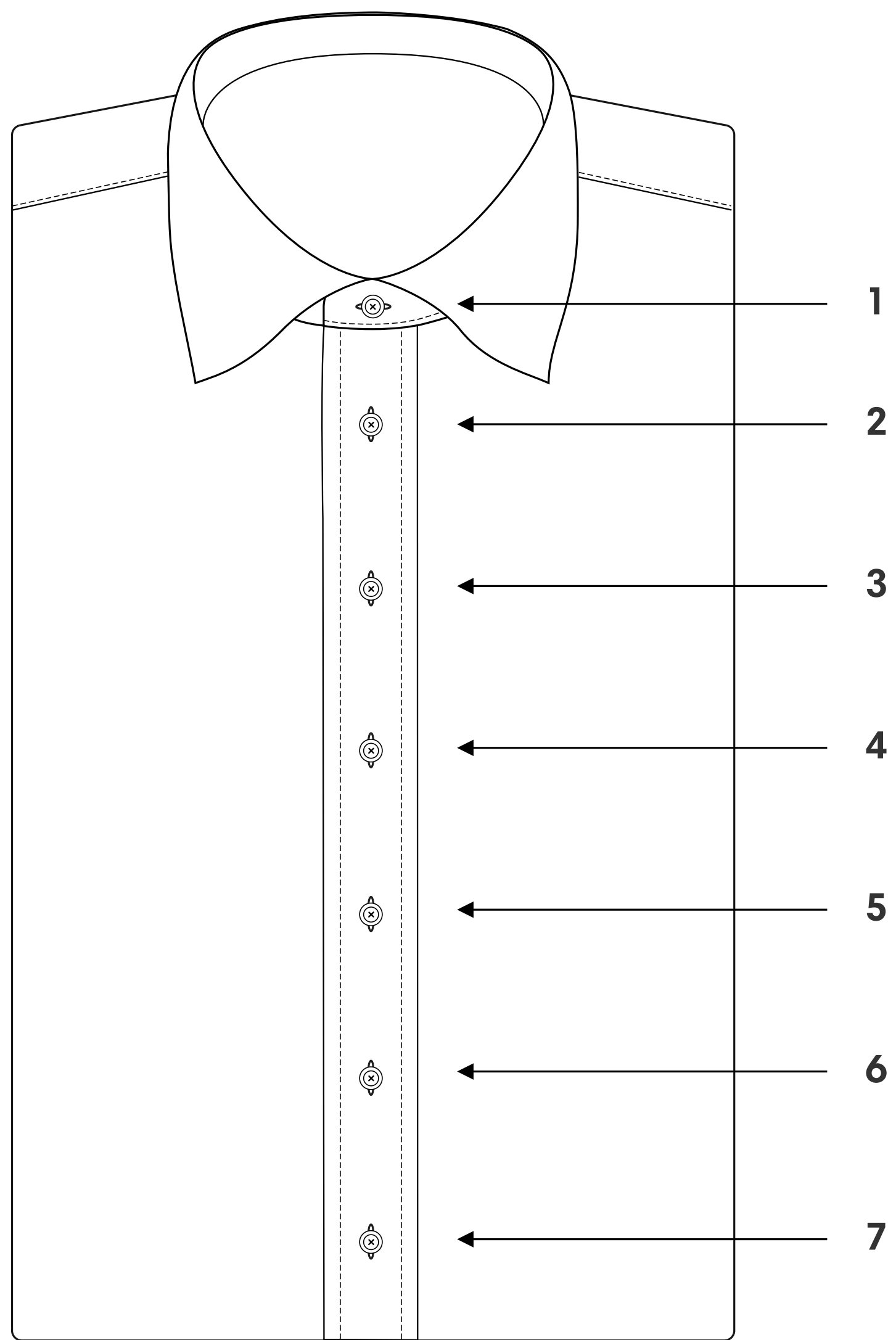


Finished Chest vs. Bicep Trim Fit Ganghester

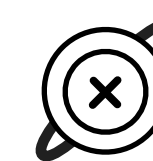
Chest (Finished)	33	34	35	36	37	38	39	40	41	42	43	44	45	46	47	48	49	50	51	Tolerance
Regular Bicep (Finished)	13 3/8	13 5/8	14	14 3/8	14 3/4	15	15 1/4	15 5/8	16	16 1/4	16 1/2	16 7/8	17 1/4	17 1/2	17 7/8	18 1/8	18 1/2	18 3/4	19	1/4
Trim Bicep (Finished)	12 5/8	12 7/8	13 1/4	13 5/8	14	14 1/4	14 1/2	14 7/8	15 1/4	15 4/8	15 3/4	16 1/8	16 1/2	16 3/4	17 1/8	17 3/8	17 3/4	18	18 1/4	1/4
Full bicep (Finished)	14 1/8	14 3/8	14 3/4	15 1/8	15 1/2	15 3/4	16	16 3/8	16 3/4	17	17 1/4	17 5/8	17 7/8	18 1/4	18 5/8	18 7/8	19 1/4	19 1/2	19 3/4	1/4

Chest (Finished)	52	53	54	55	56	57	58	59	60	61	62	63	64	65	66	67	68	69	70	Tolerance
Regular Bicep (Finished)	19 1/2	19 3/4	20 1/8	20 1/2	20 3/4	21	21 3/8	21 5/8	22	22 1/4	22 5/8	23	23 1/4	23 5/8	23 7/8	24 1/4	24 1/2	24 7/8	25 1/4	1/4
Trim Bicep (Finished)	18 3/4	19	19 3/8	19 3/4	20	20 1/4	20 5/8	20 7/8	21 1/4	21 1/2	21 7/8	22 1/4	22 1/2	22 7/8	23 1/8	23 1/2	23 3/4	24 1/8	24 1/2	1/4
Full bicep (Finished)	20 1/4	20 1/2	20 7/8	21 1/4	21 1/2	21 3/4	22 1/8	22 3/8	22 3/4	23	23 3/8	23 3/4	24	24 3/8	24 5/8	25	25 1/4	25 5/8	26	1/4

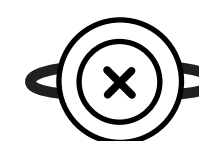
Button Hole Sequence & Angles



90°



135°

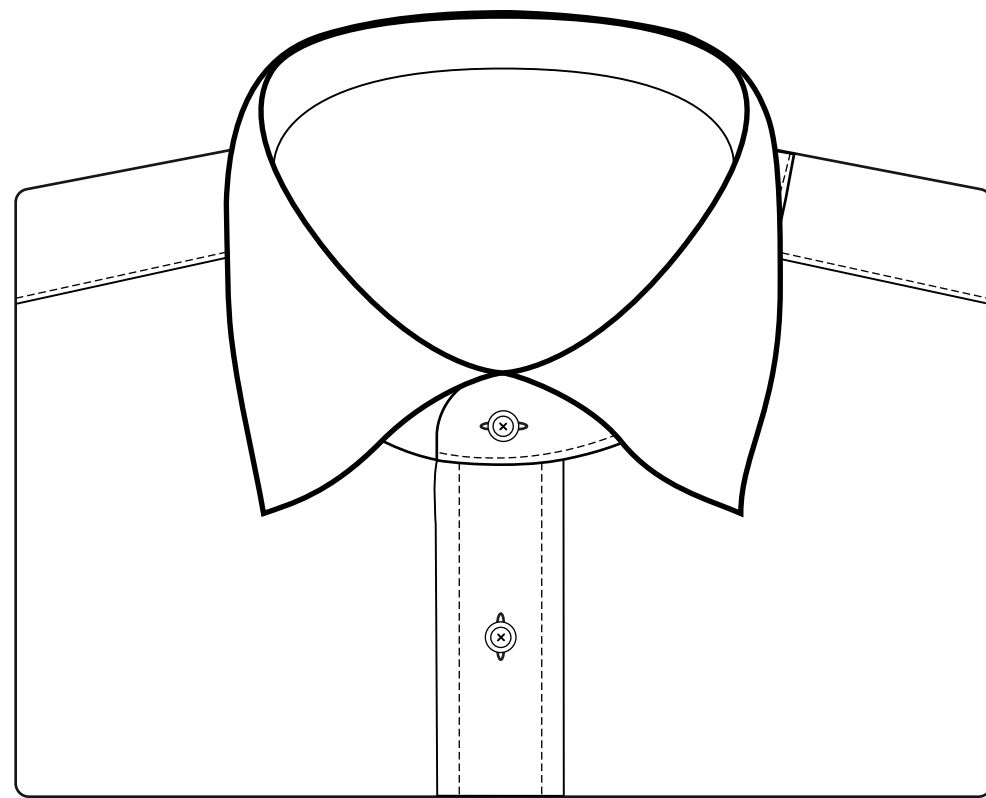


0°

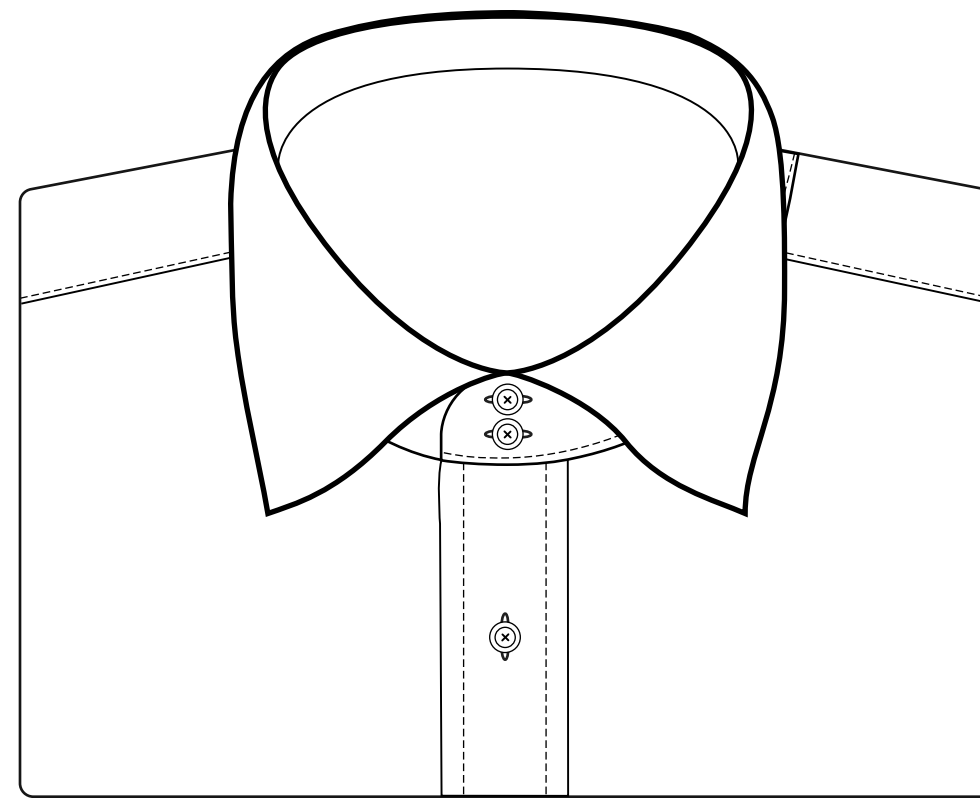


45°

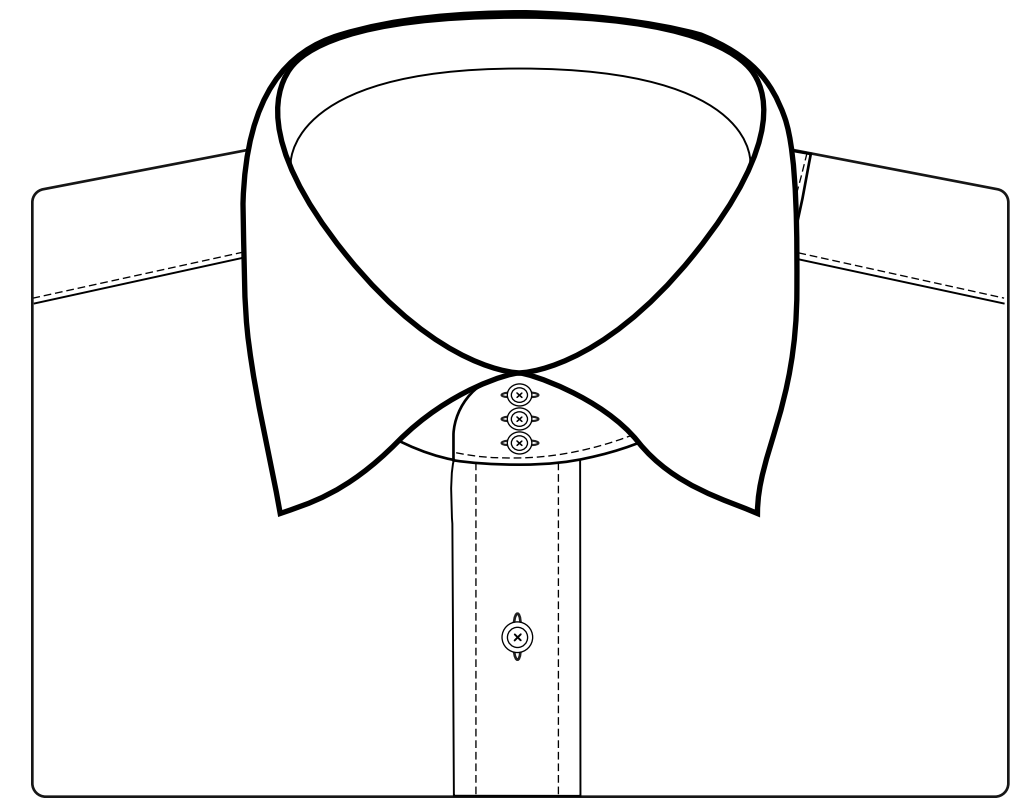
Collar Band



One Button
4" Spread



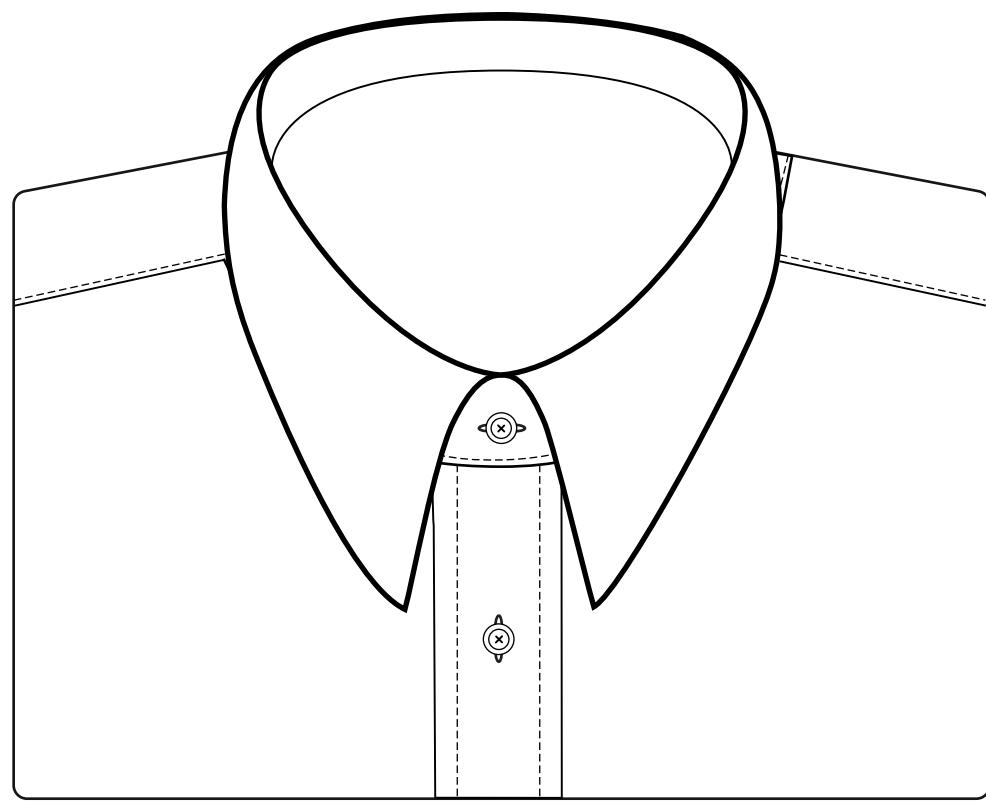
Two Button
Min. Front Collar Height = 1 1/8"



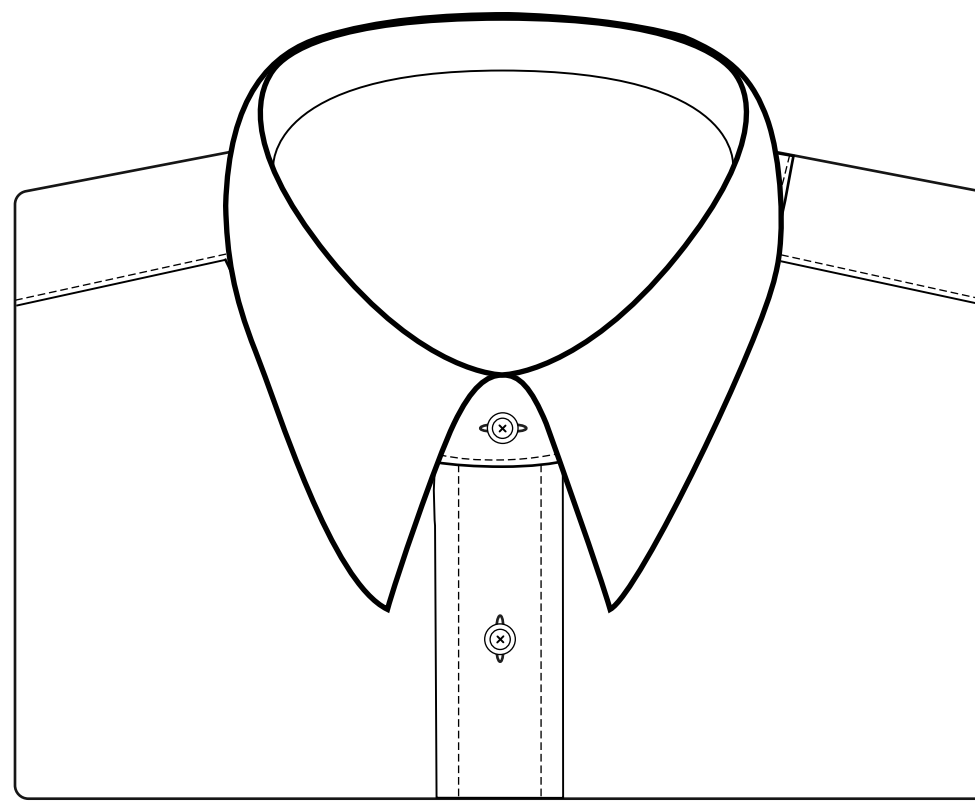
Three Button
Min. Front Collar Height = 1 1/4"

Collars

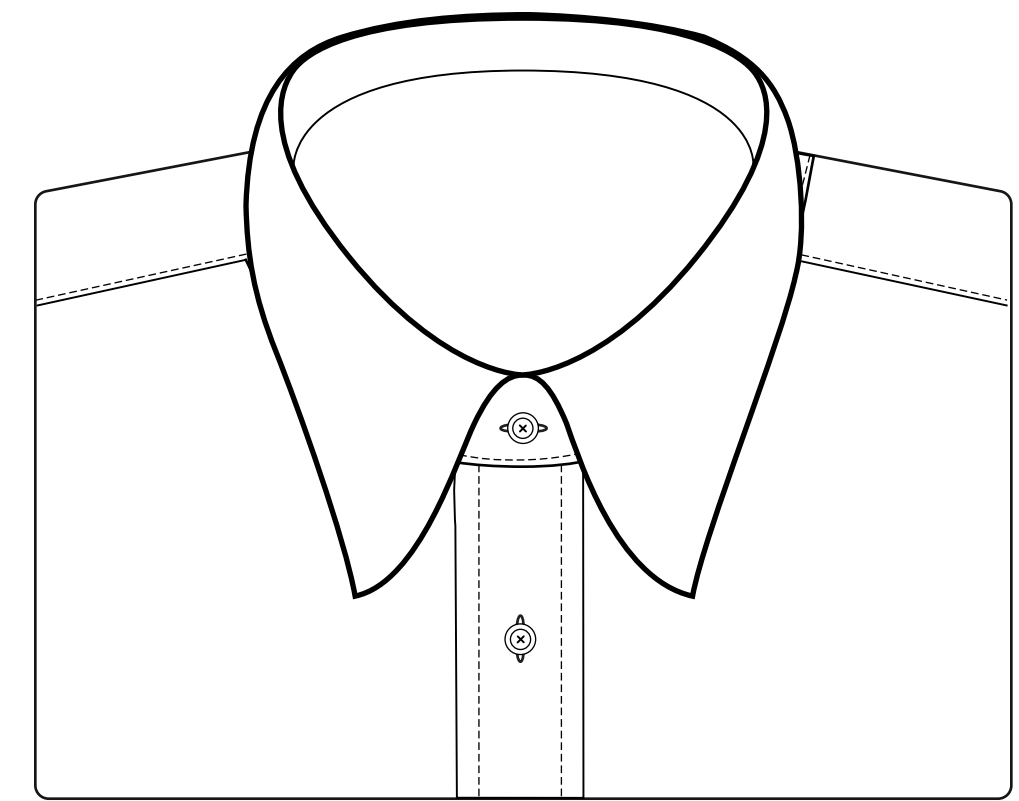
Spreads based on a 3" Point Length



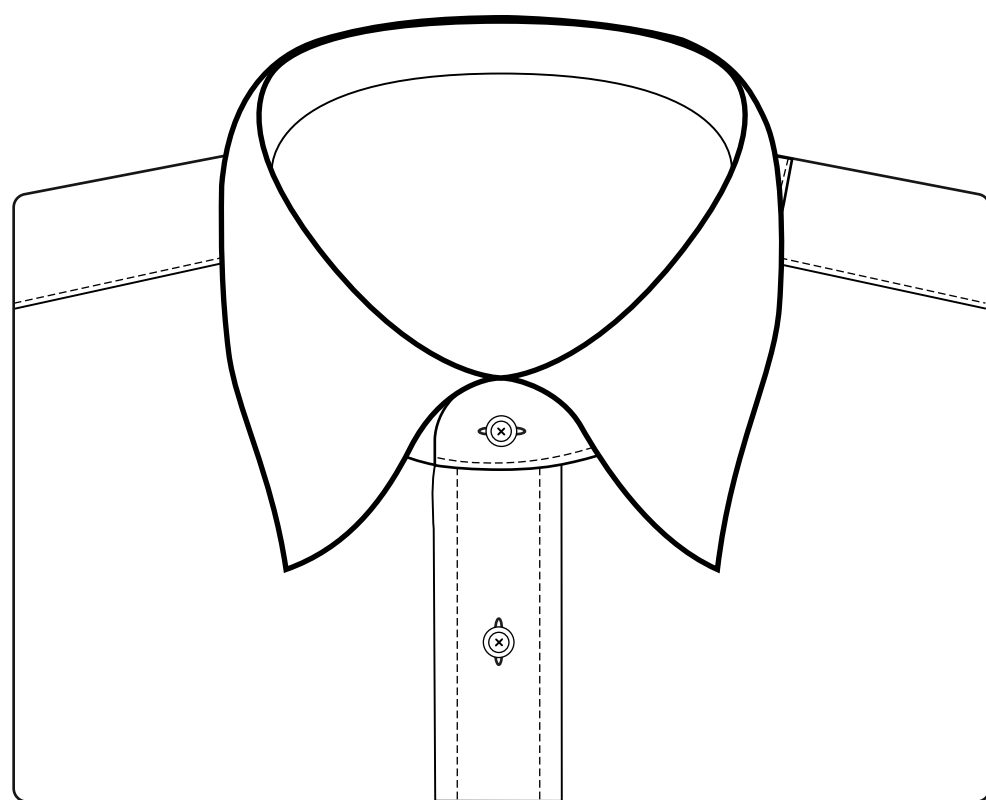
Extra Narrow Point
2" Spread



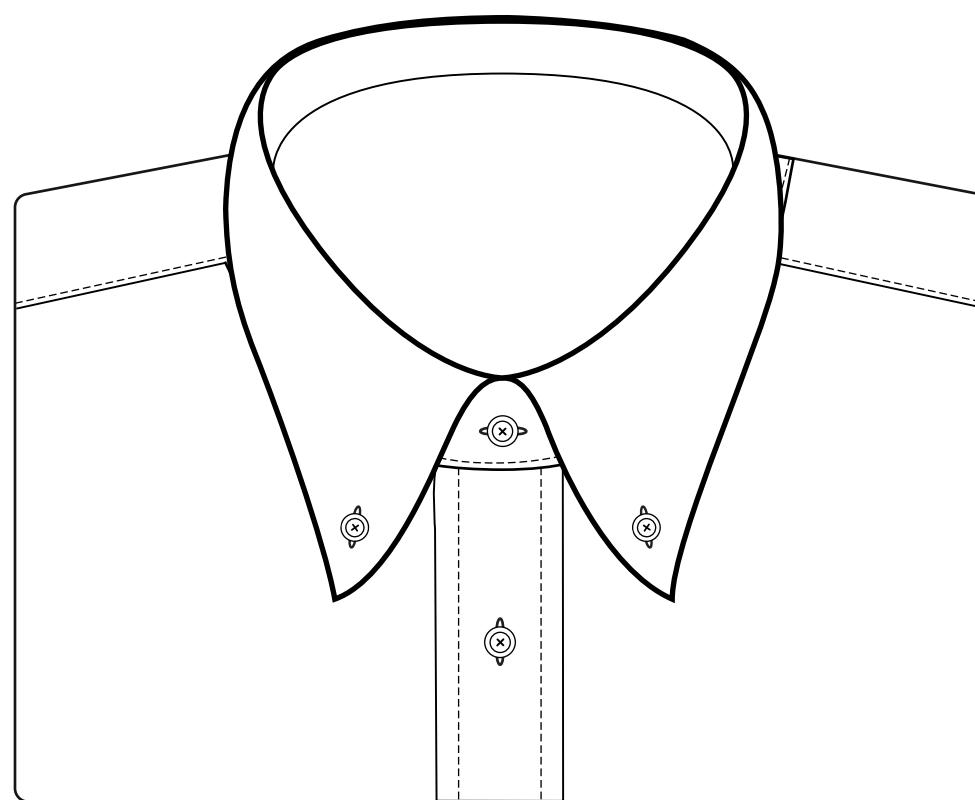
Narrow Point
2 1/2" Spread



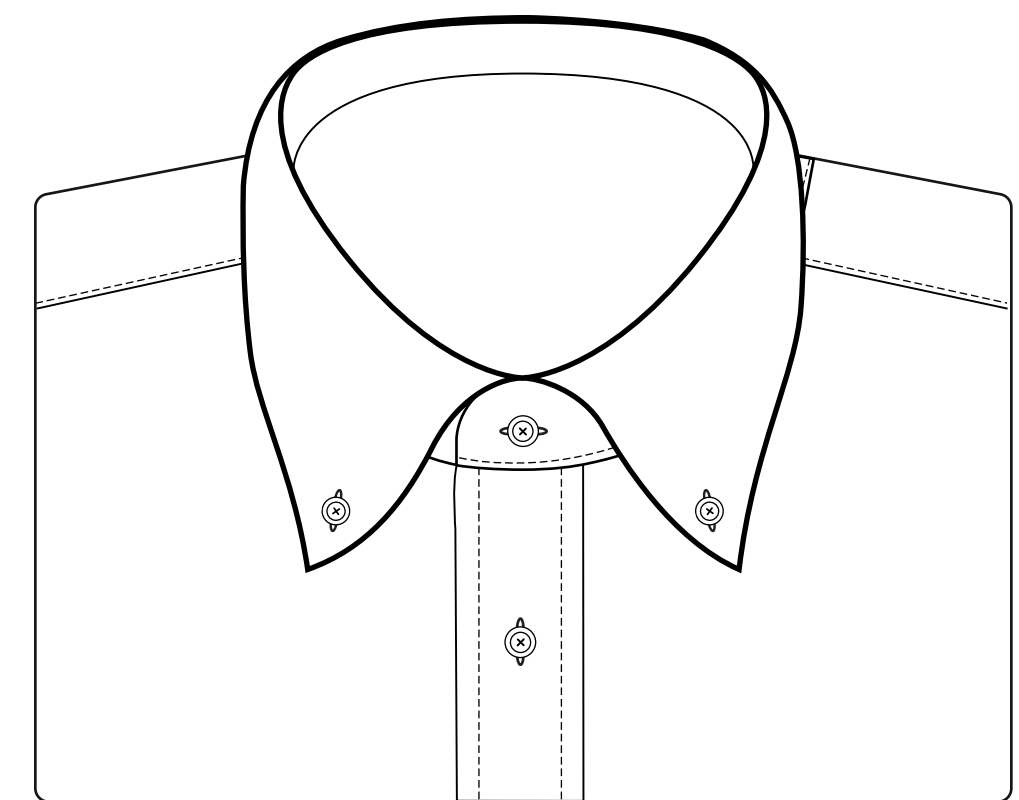
Classic Point
3" Spread



Madison Point
3 1/2" Spread



Button Down Classic**
3" Spread



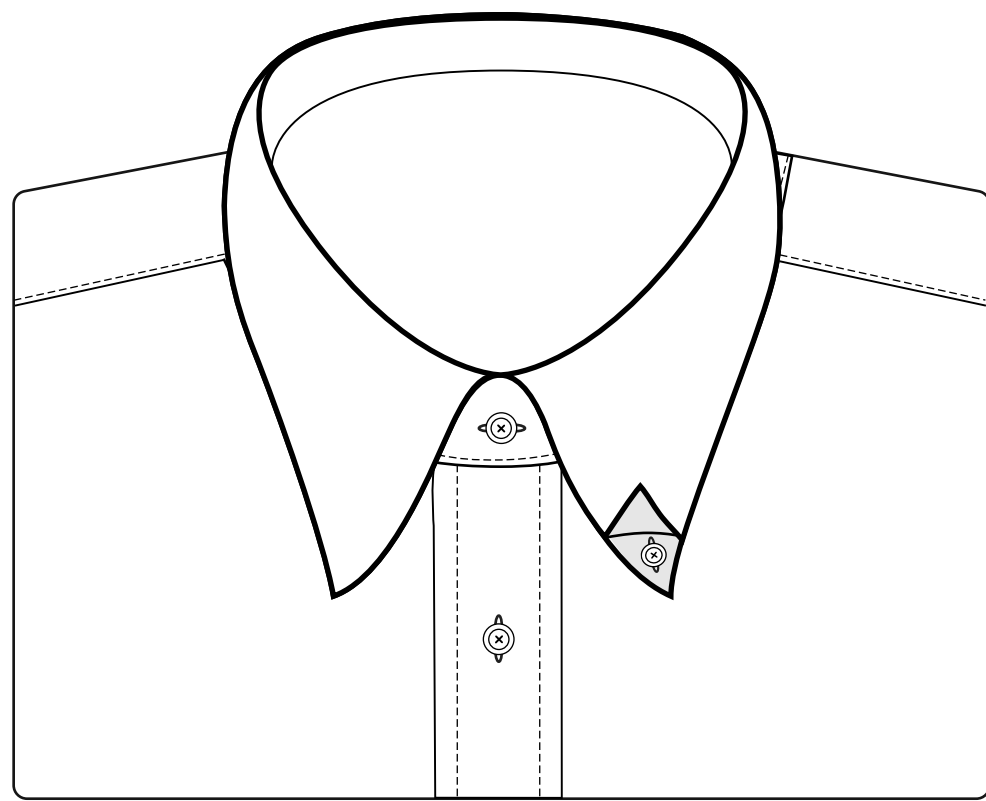
Button Down Madison**
3 1/2" Spread

* Collar Stays must be "None"

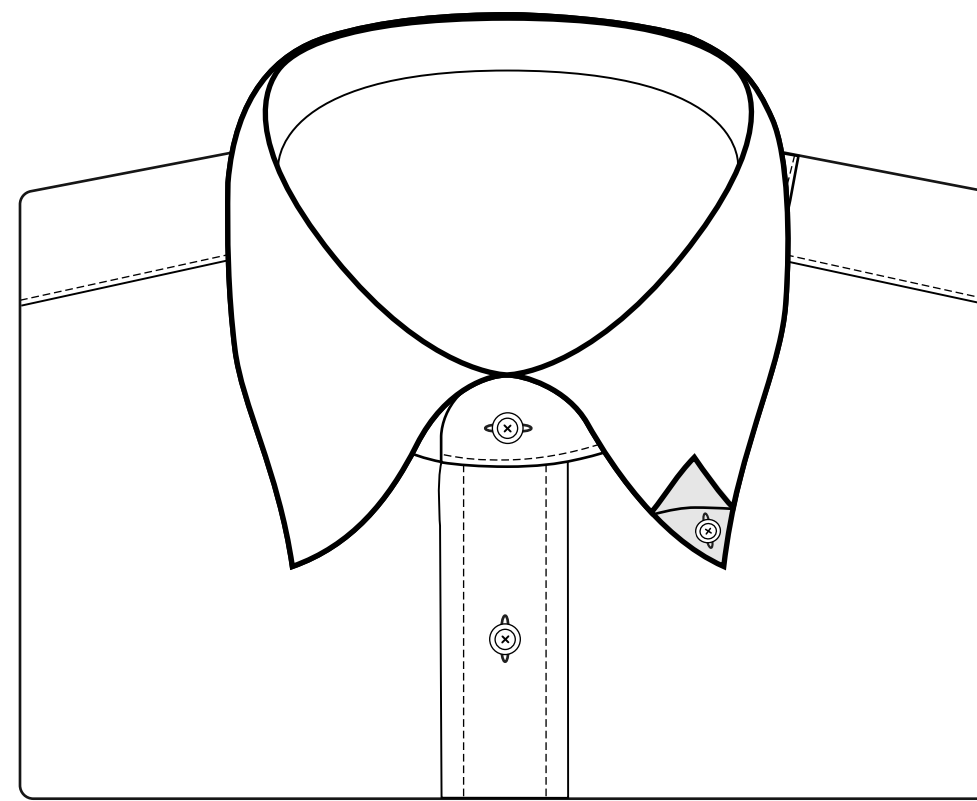
**Collar Stays must be "None" or "Removable"

Collars

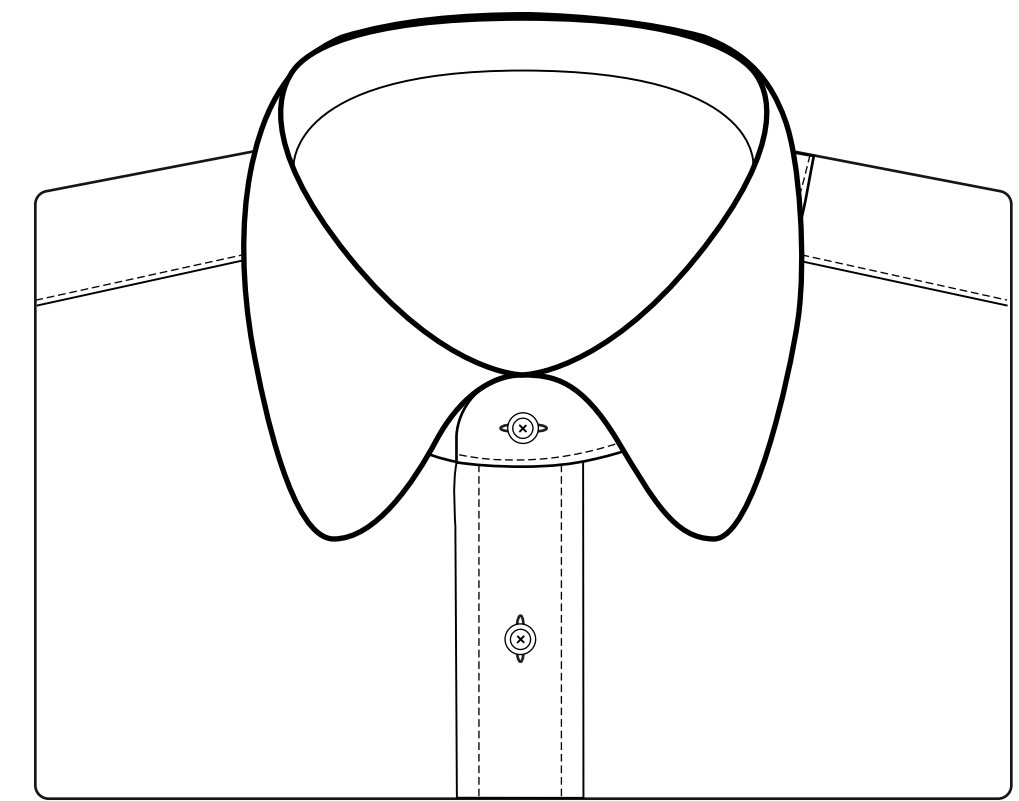
Spreads based on a 3" Point Length



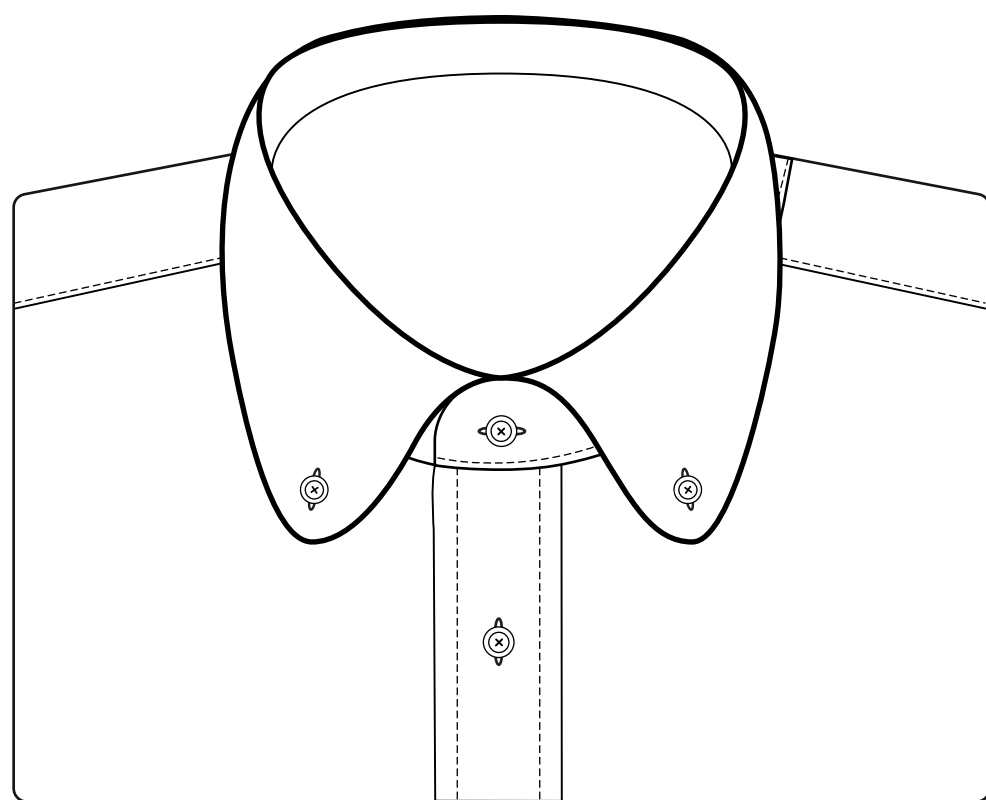
Hidden Button Down Classic
3" Spread



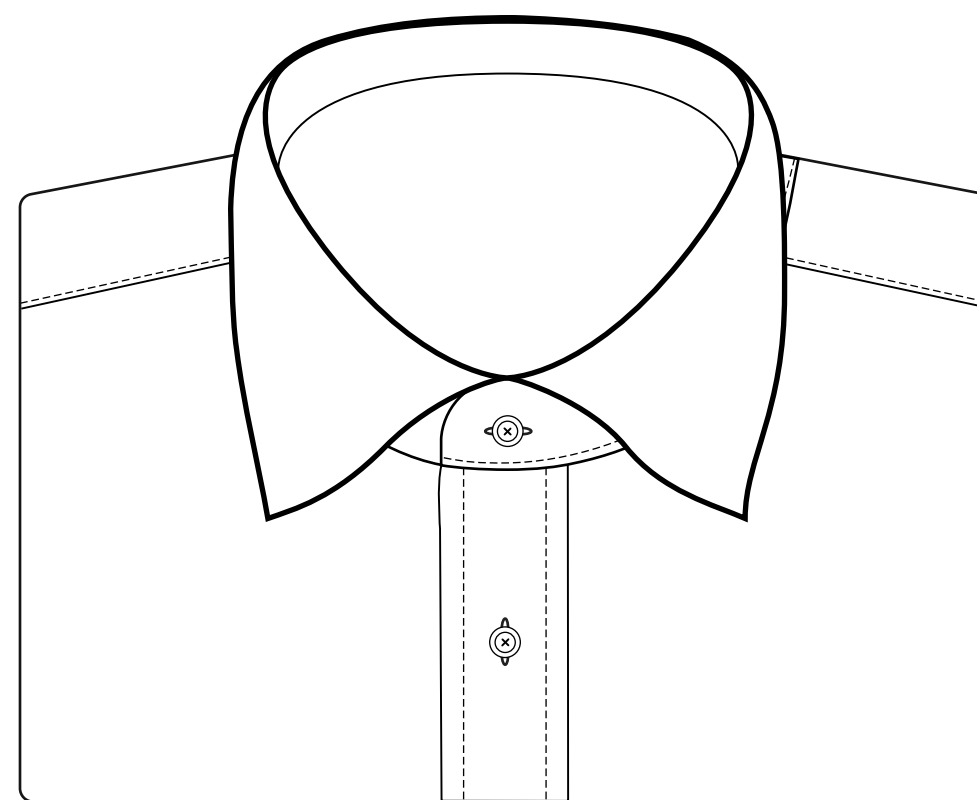
Hidden Button Down Madison*
3 1/2" Spread



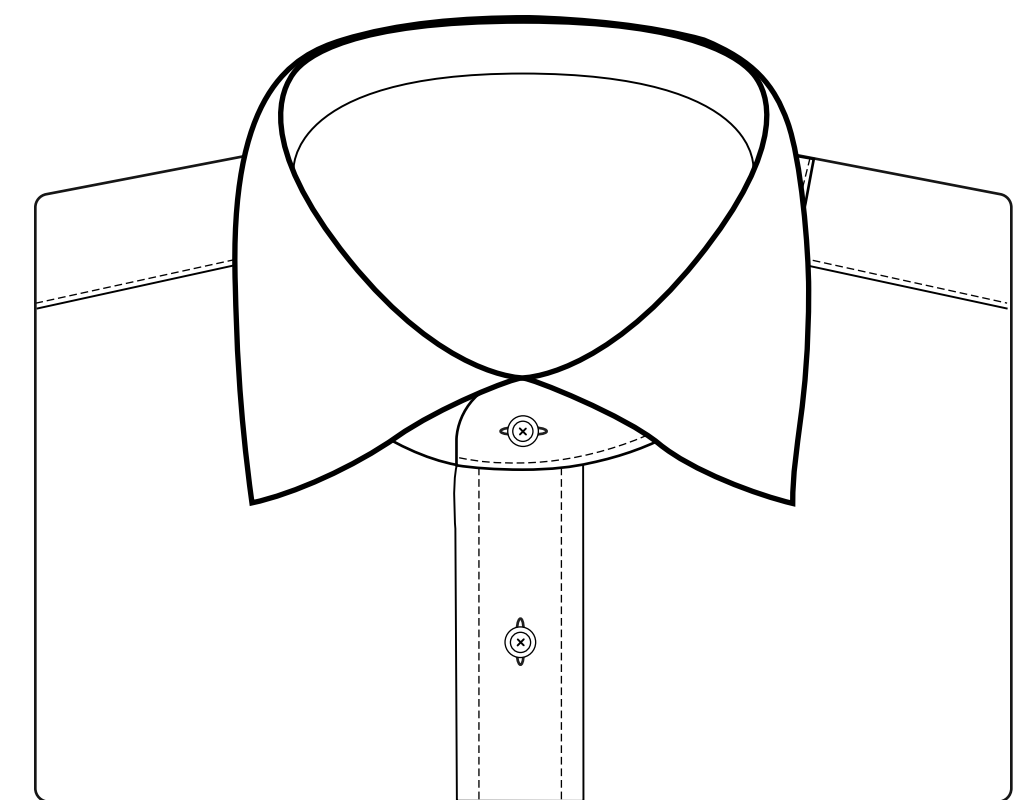
Round Point Madison
3 1/2" Spread



Round Button Down Madison*
3 1/2" Spread



Windsor Spread
4" Spread



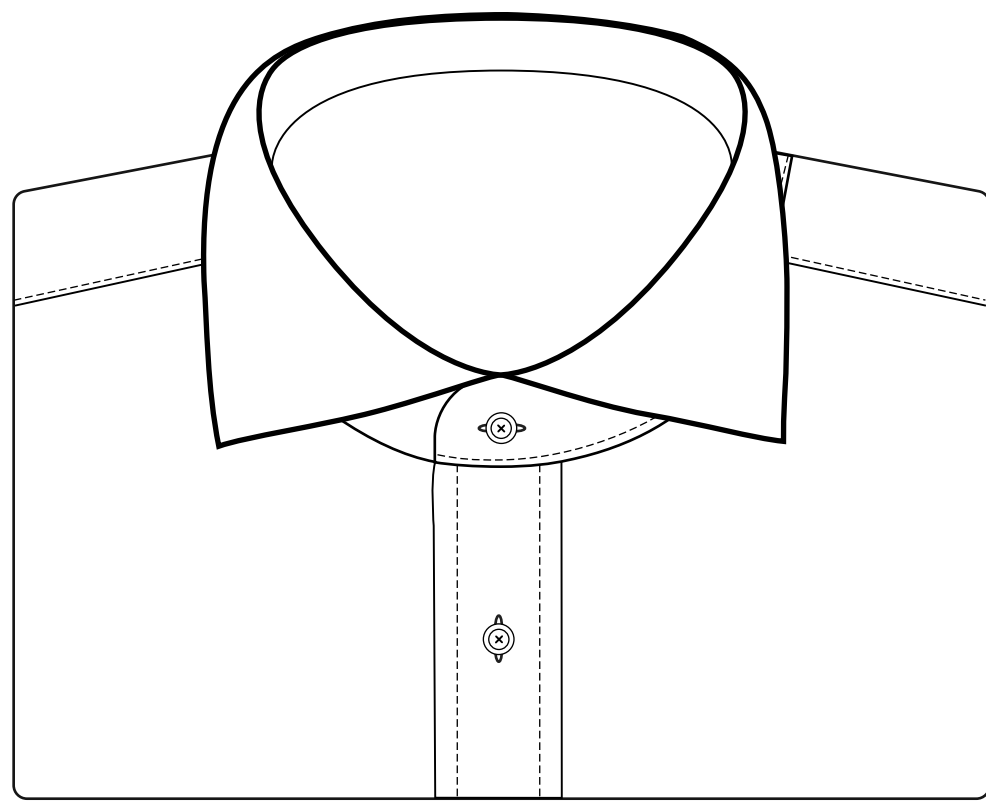
American Spread
4 1/2" Spread

* Collar Stays must be "None"

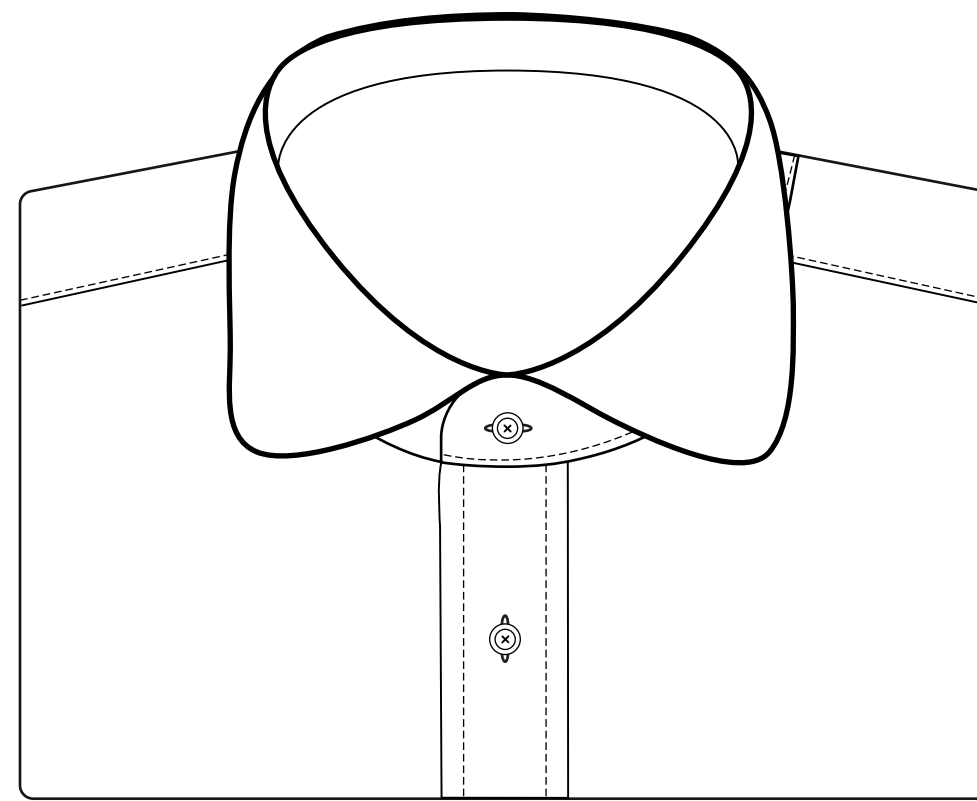
**Collar Stays must be "None" or "Removable"

Collars

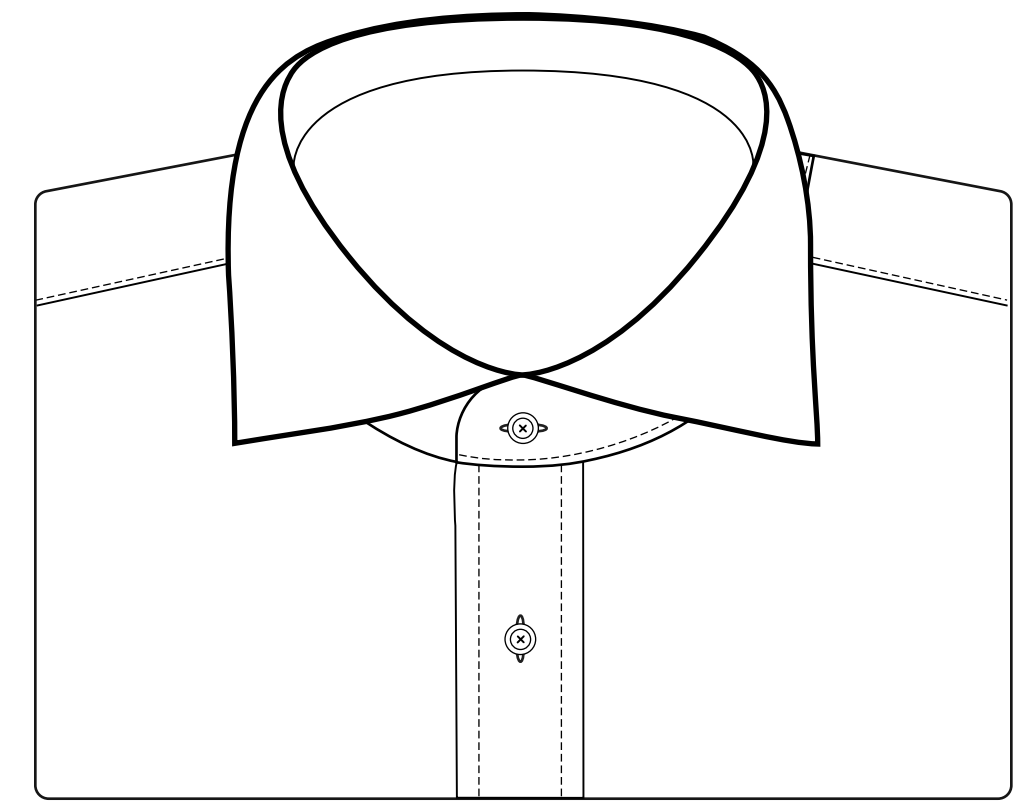
Spreads based on a 3" Point Length



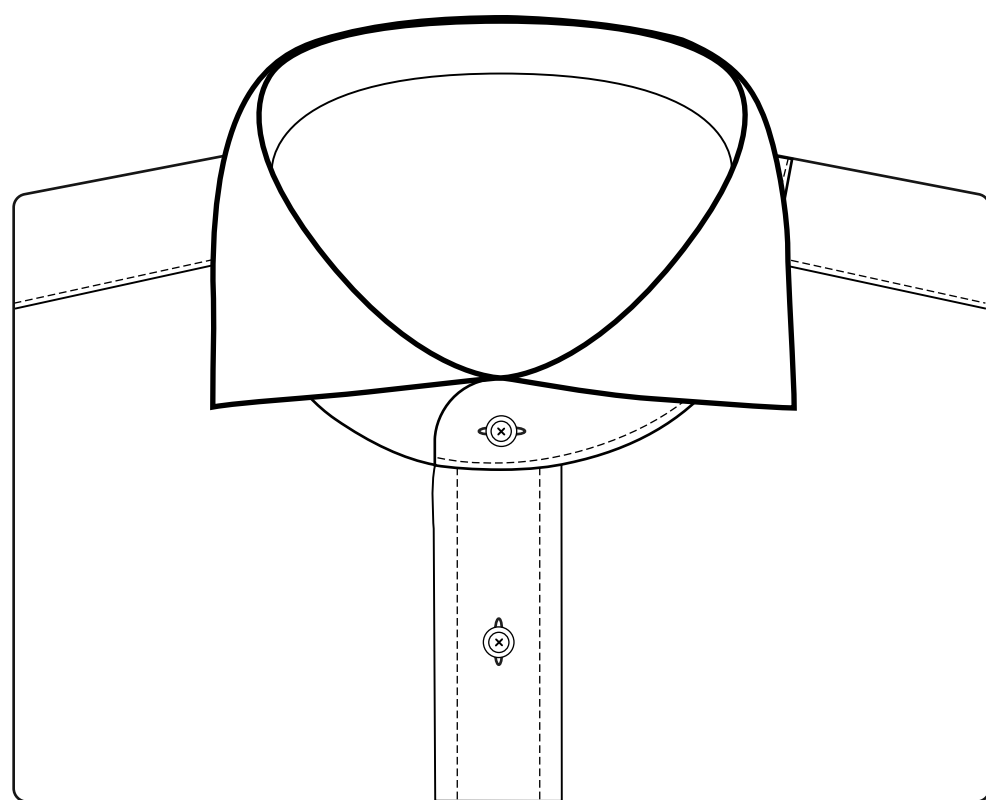
British Spread
5" Spread



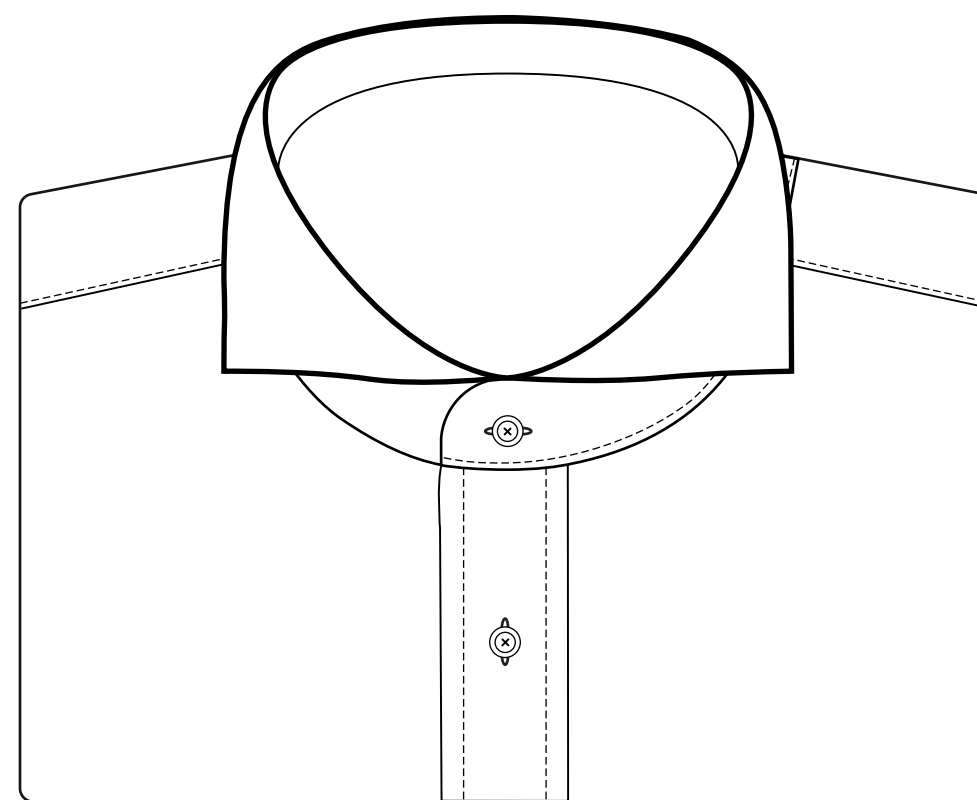
British Round Point Madison
--



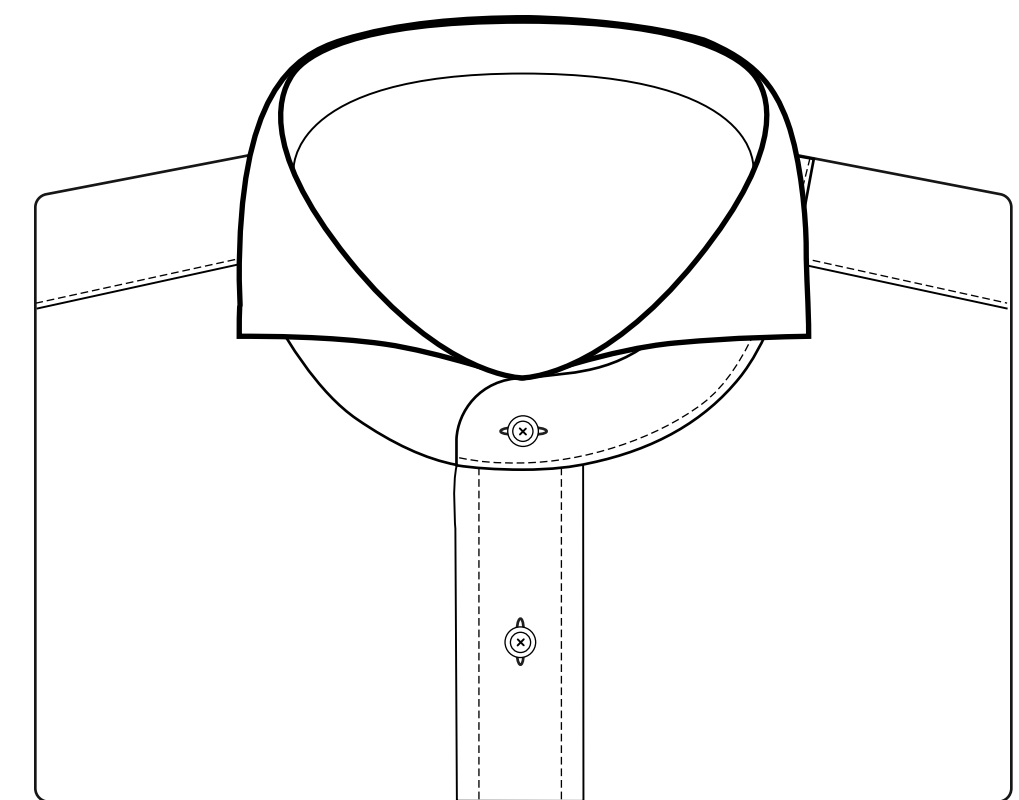
Italian Spread
5 1/4" Spread



Fashion Spread 1
6" Spread



Fashion Spread 2
6 1/2" Spread



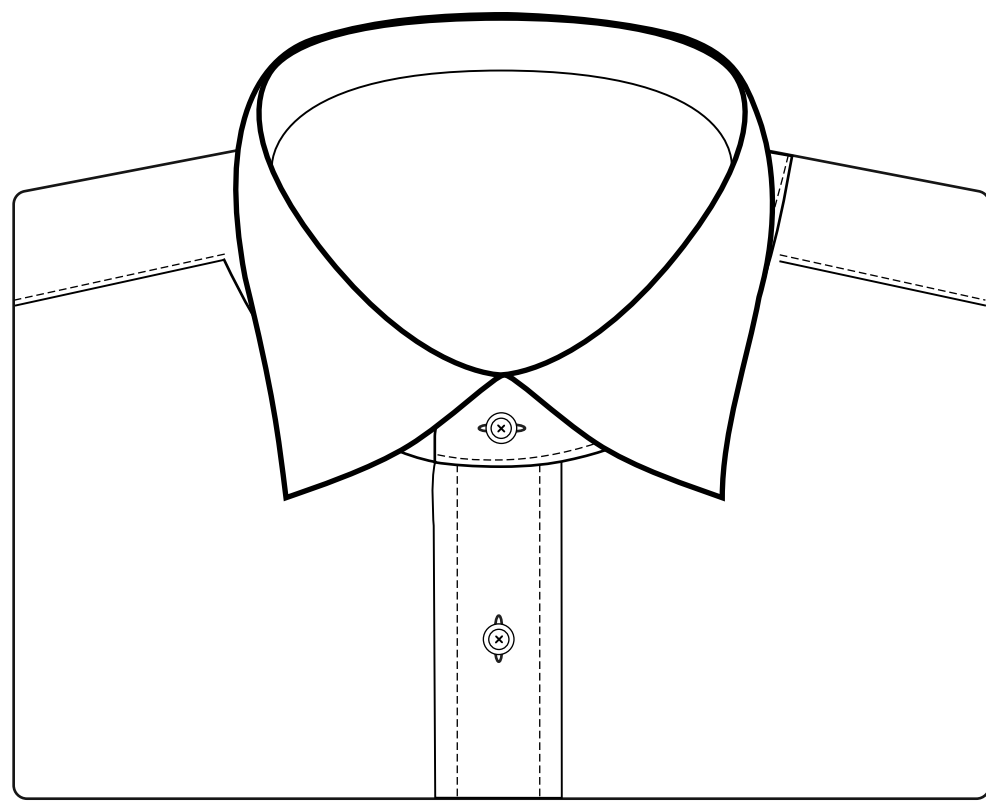
Extreme Cutaway
--

* Collar Stays must be "None"

**Collar Stays must be "None" or "Removable"

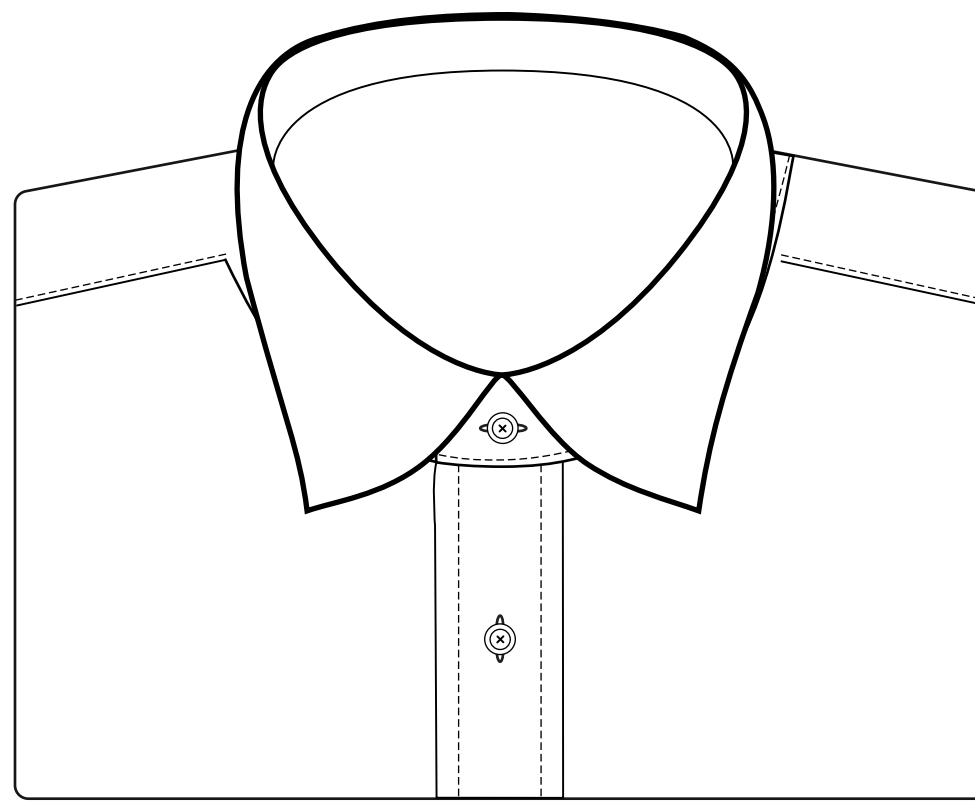
Collars

Spreads based on a 3" Point Length



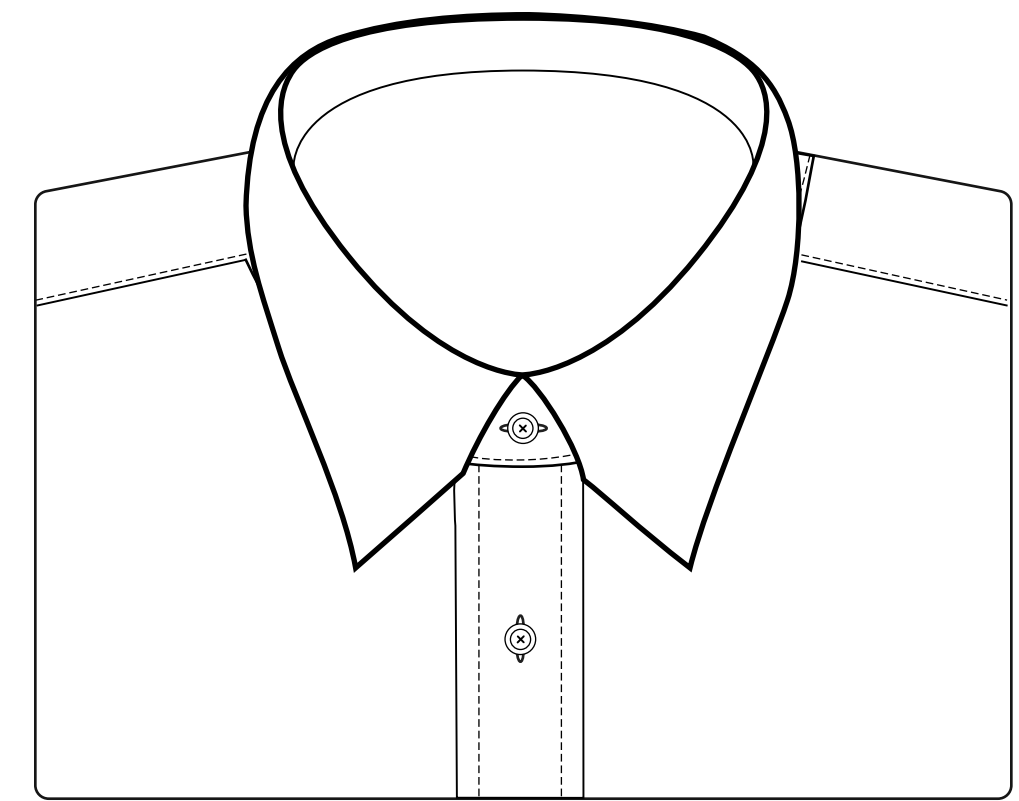
Curve Spread

--



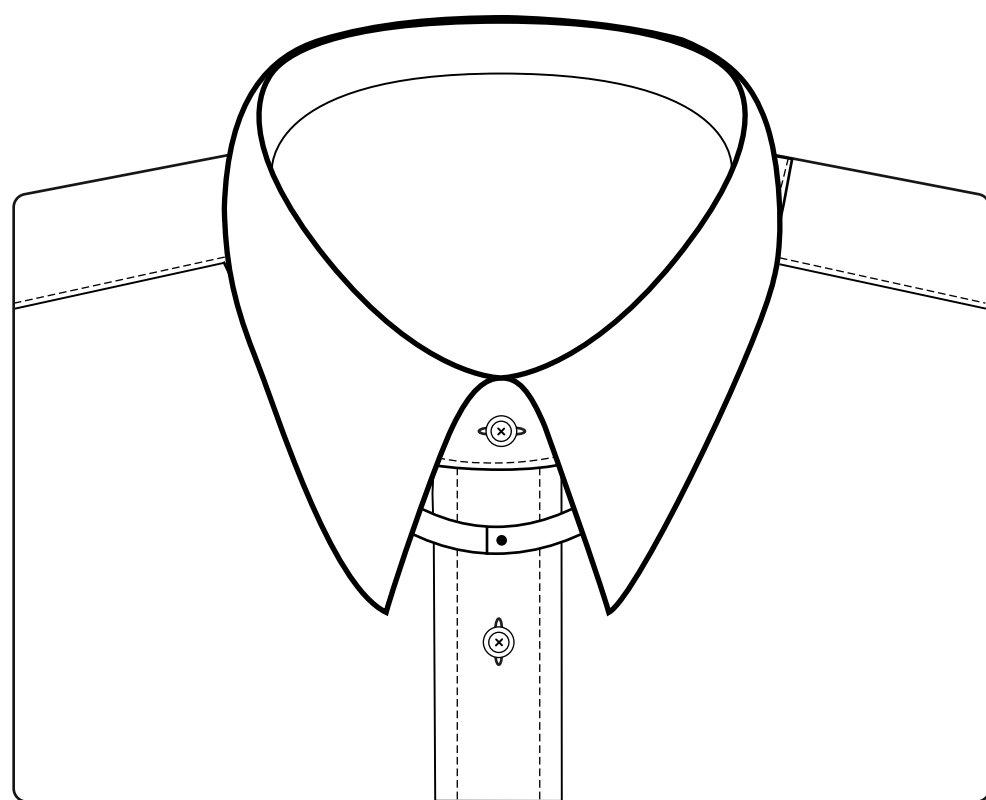
Narrow Curve Spread

--



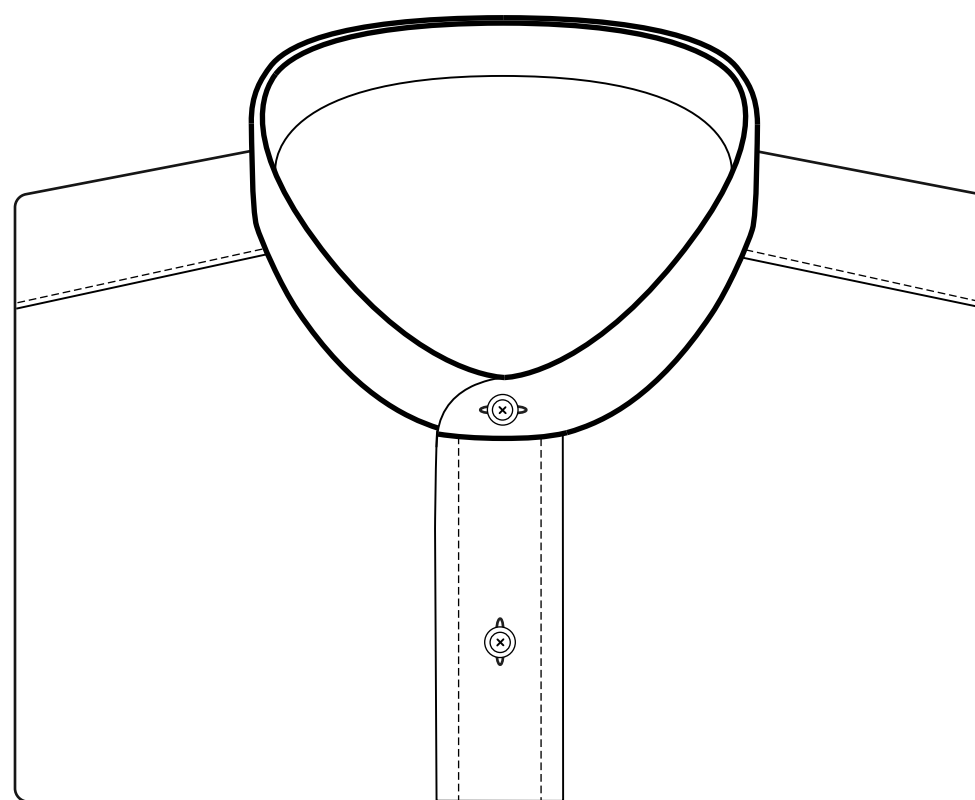
Mitered Spread**

--



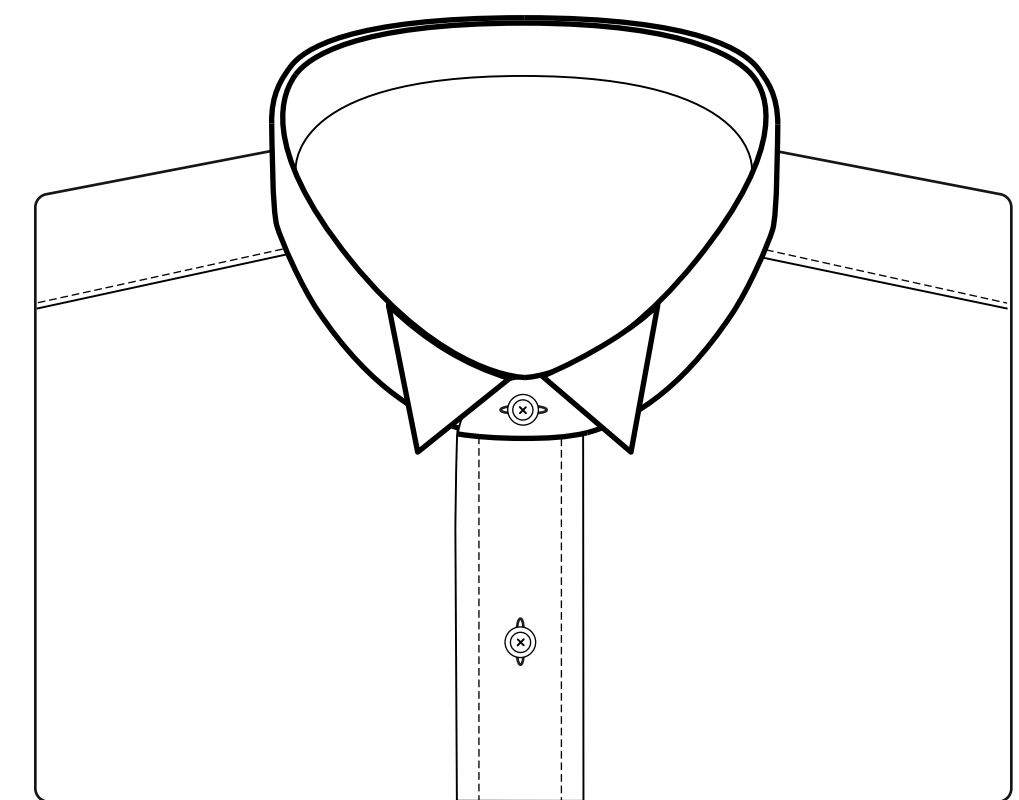
Tab Collar

2 1/2" Spread



Band Collar*

--



Wing Collar*

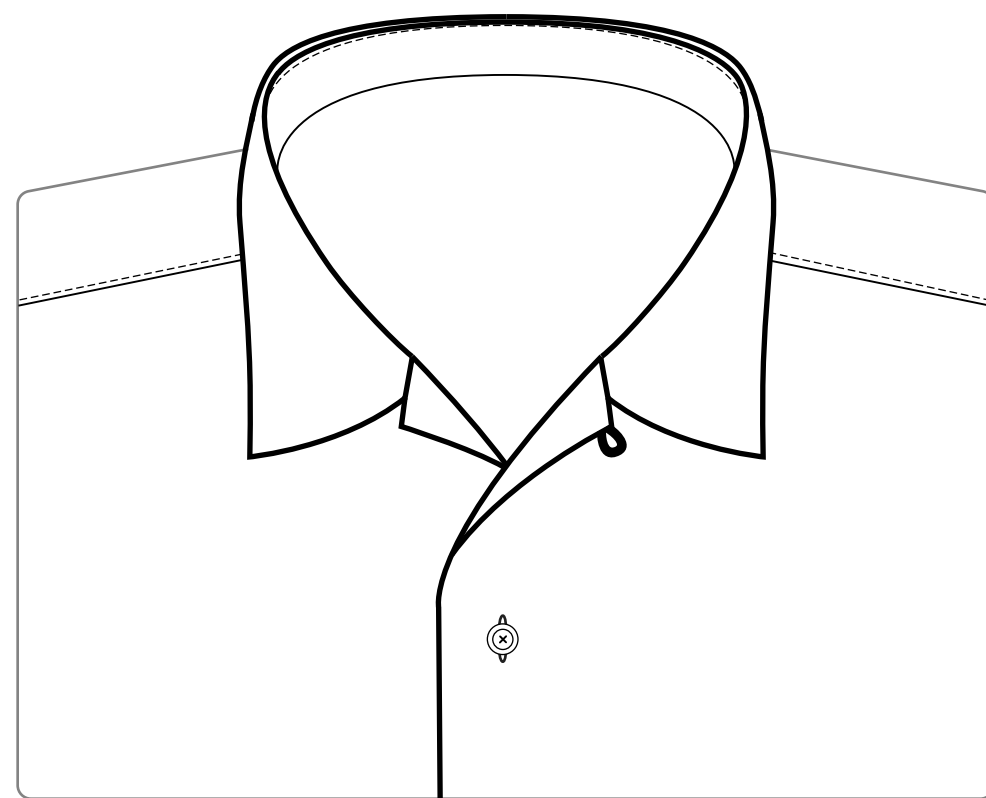
--

* Collar Stays must be "None"

**Collar Stays must be "None" or "Removable"

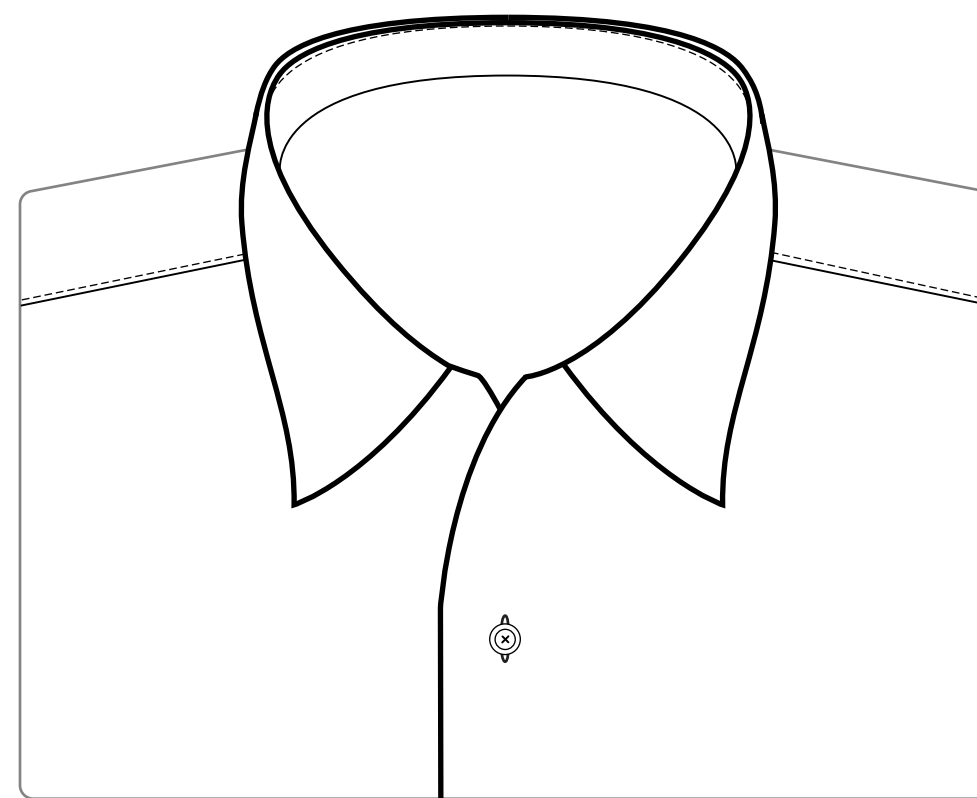
Collars

Spreads based on a 3" Point Length



Camp Collar with Loop*

--



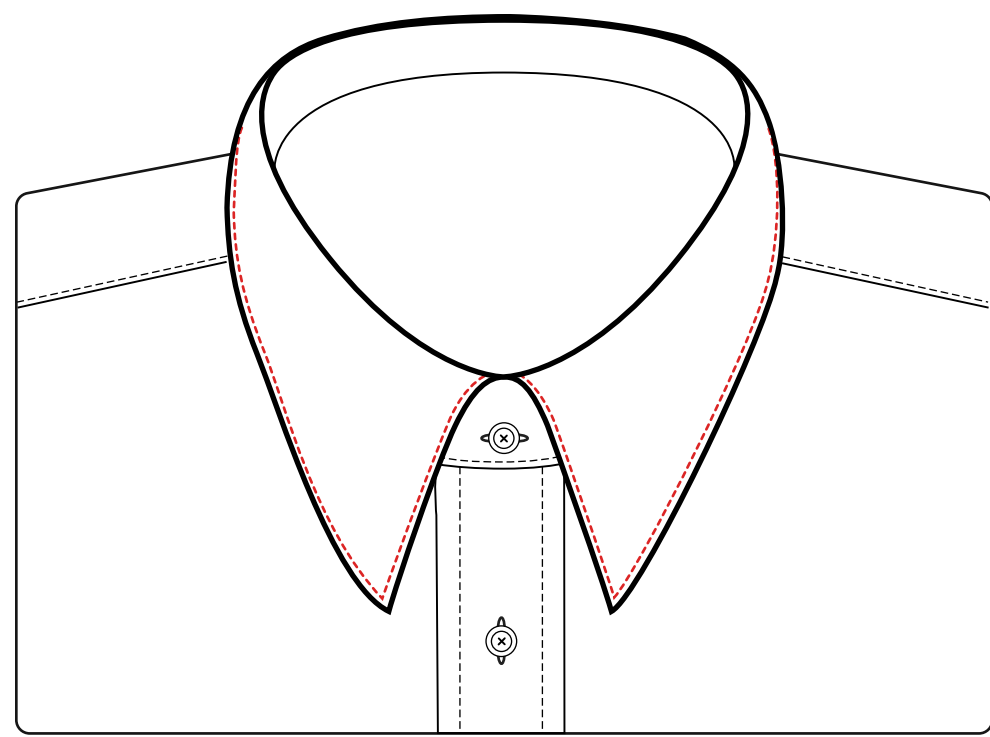
Camp Collar without Loop

--

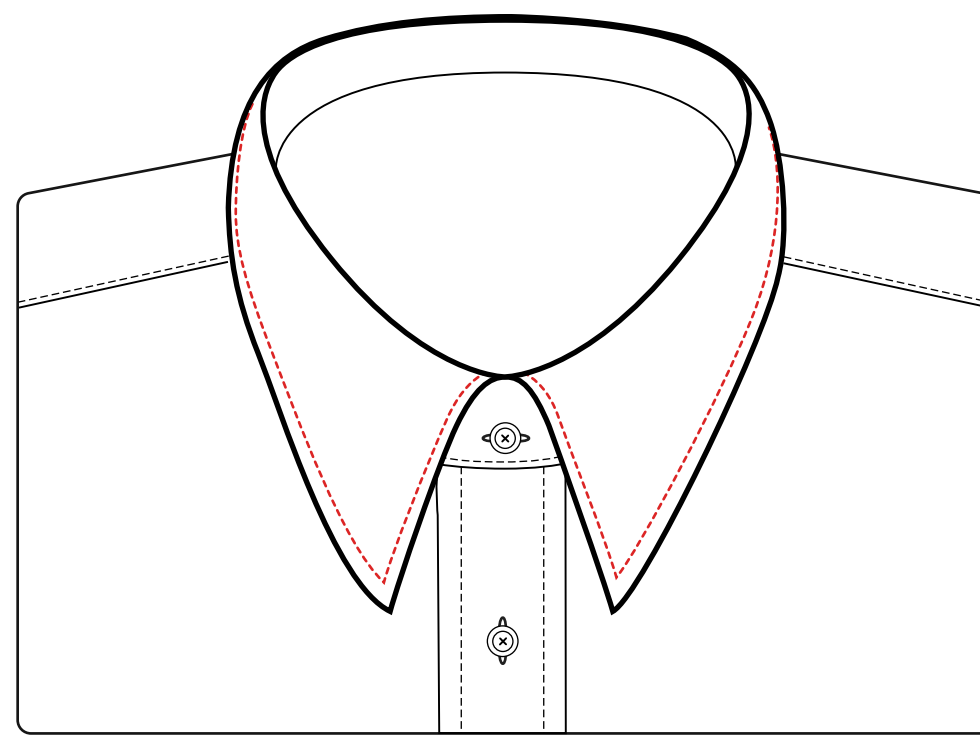
* Collar Stays must be "None"

**Collar Stays must be "None" or "Removable"

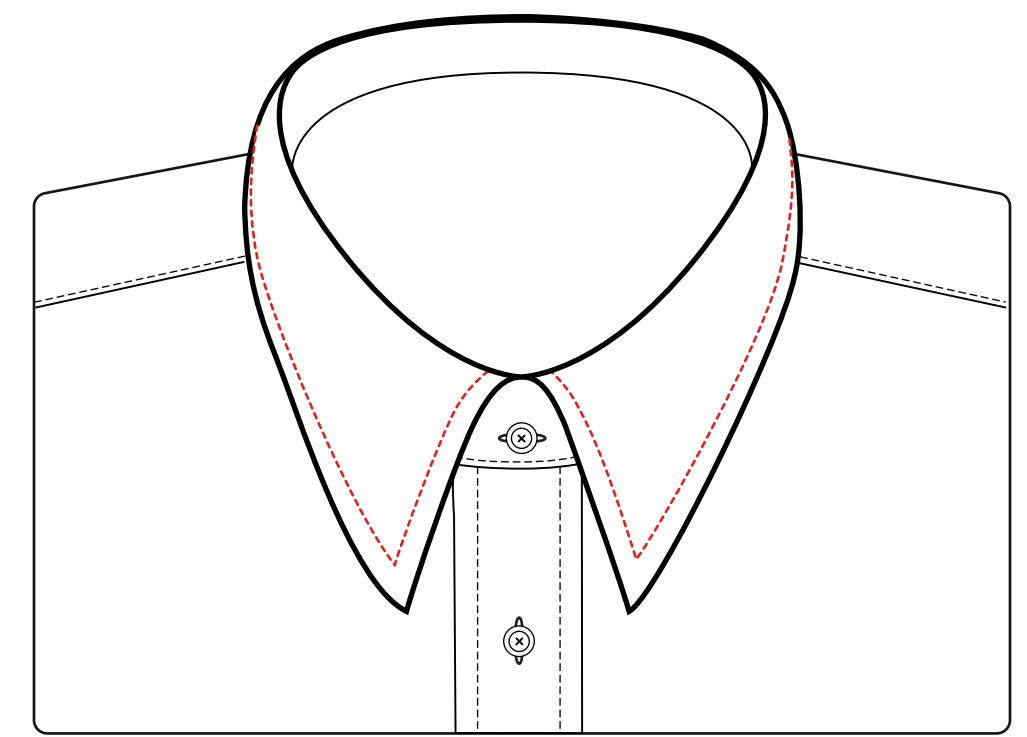
Collar Stitching Position



$\frac{1}{16}$ " Stitching

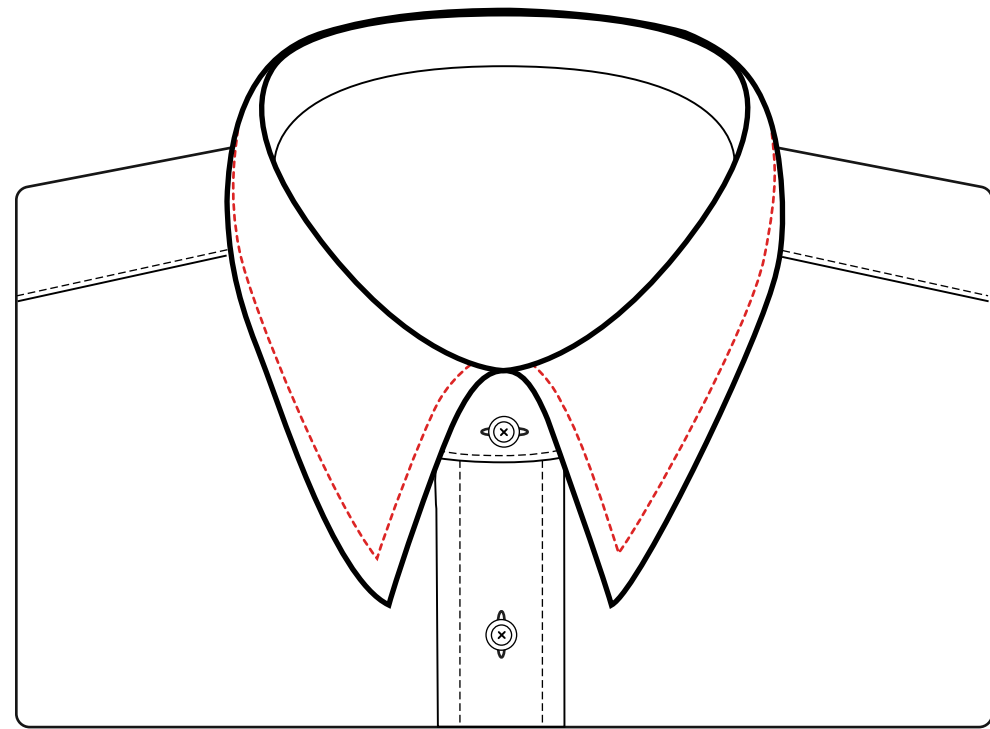


$\frac{1}{8}$ " Stitching

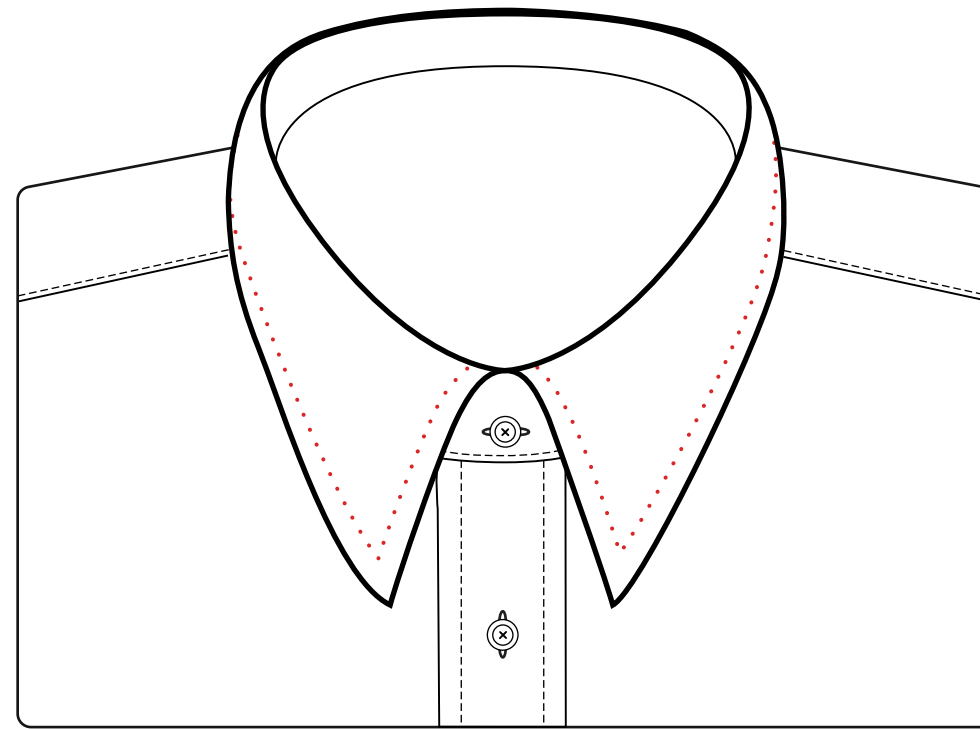


$\frac{1}{4}$ " Stitching

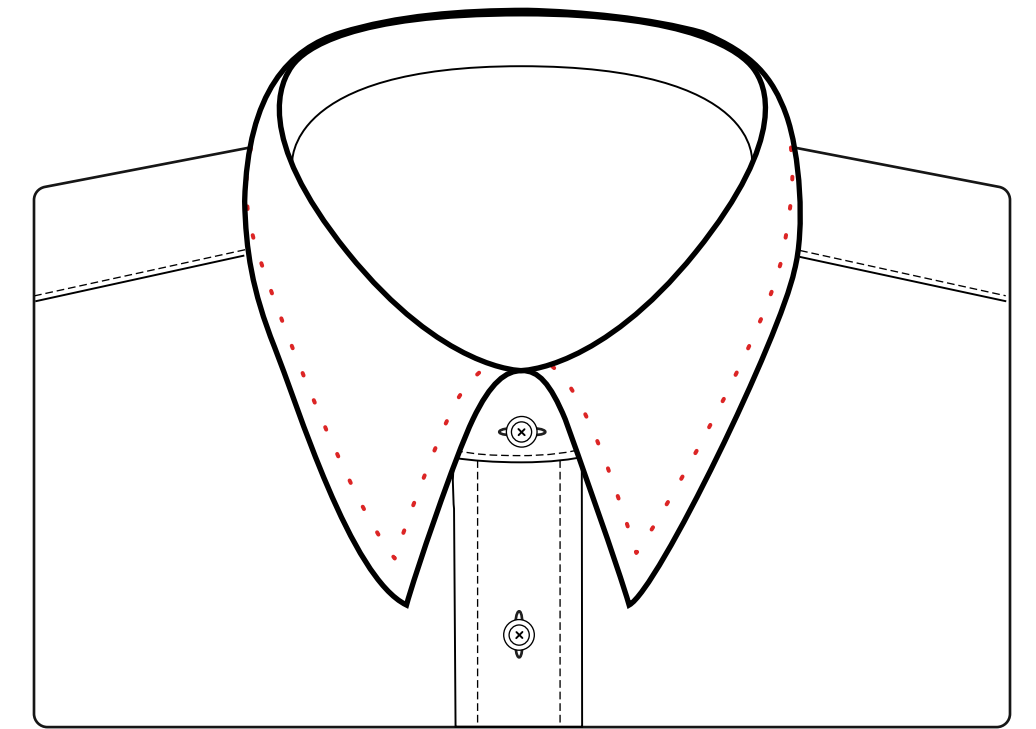
Collar Stitching



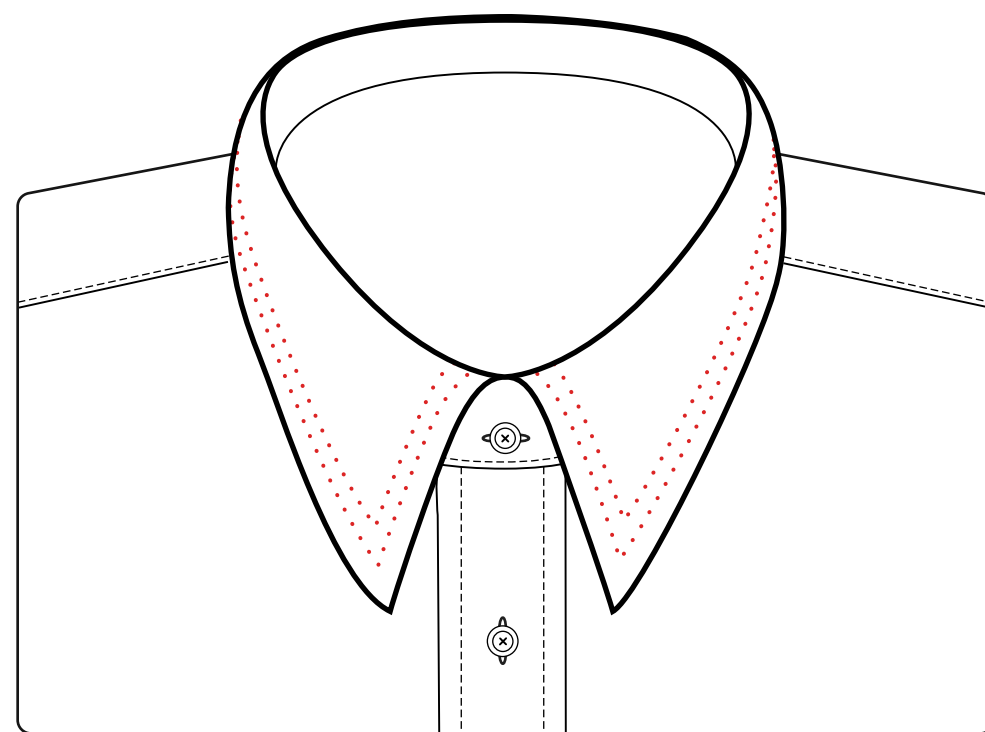
Single Needle



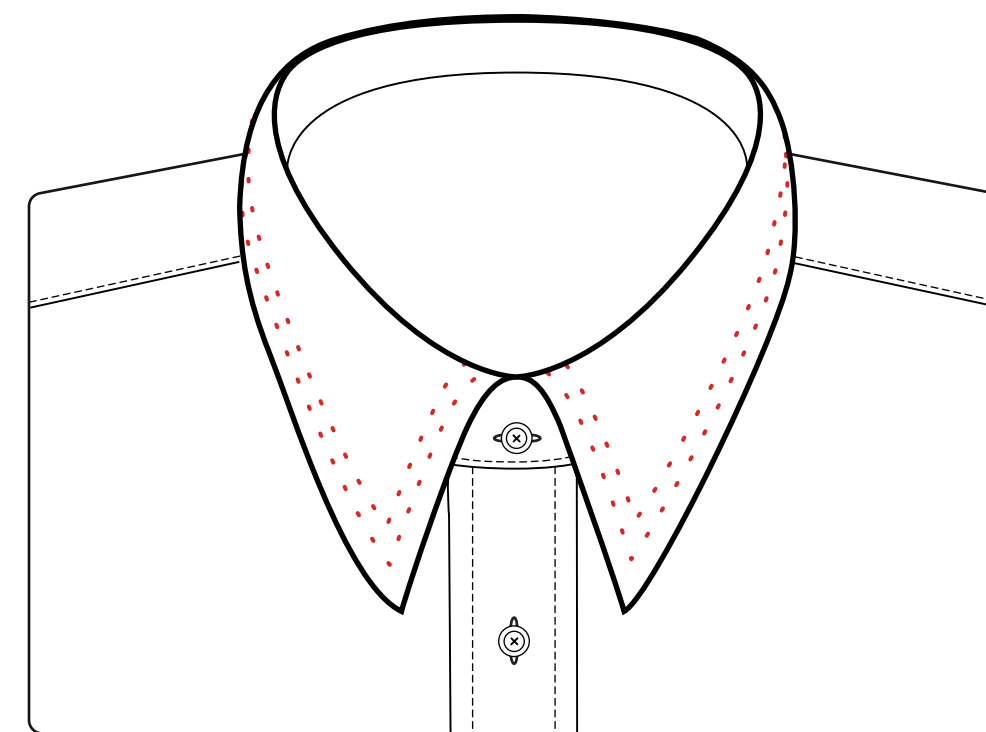
Pic



Wide Pic

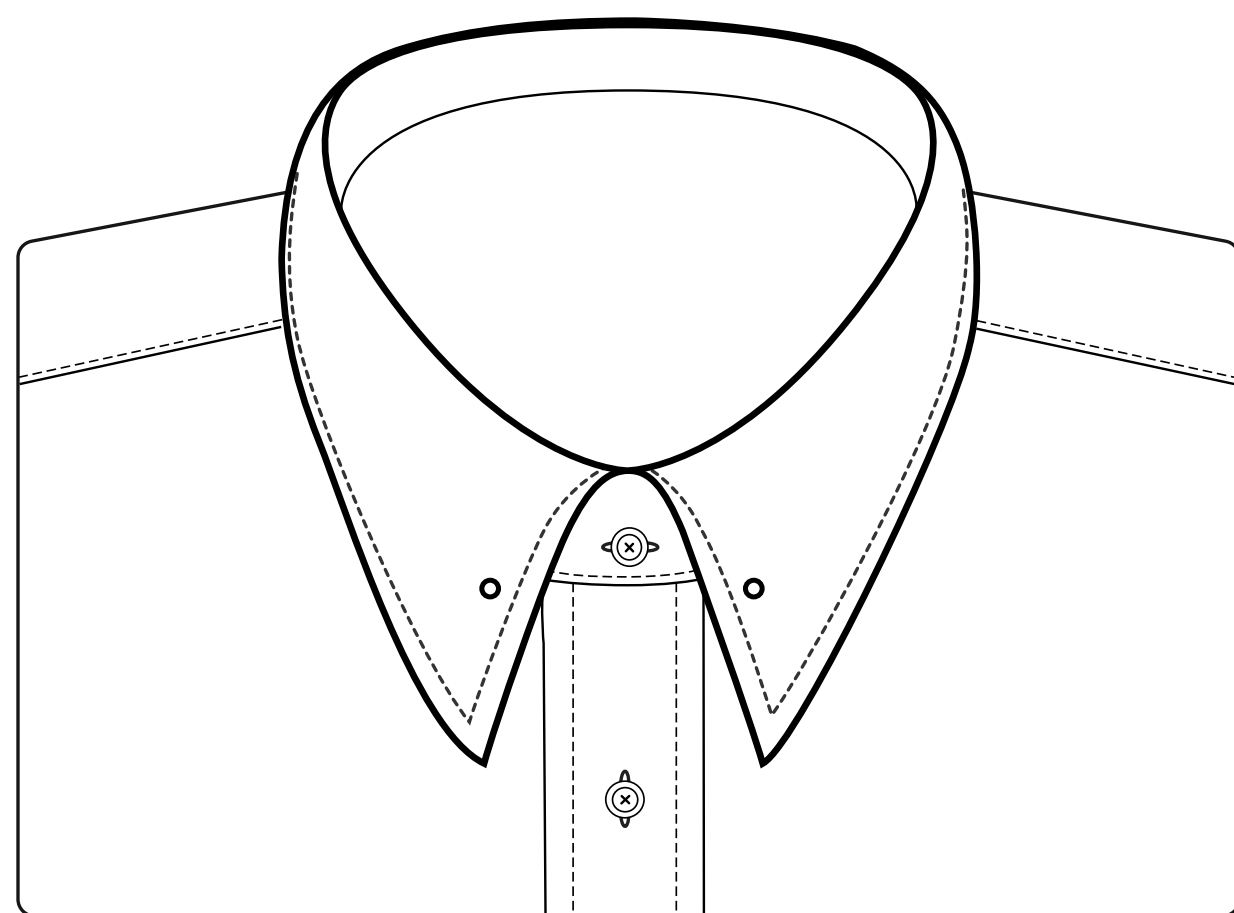


Double Pic



Double Wide Pic

Eyelet Collar



Collar Eyelets

Styles Available:

Extra Narrow Point, Narrow Point, Classic Point, Button Down, Hidden Button (Classic), Madison Point, Button Down (Madison), Hidden Button (Madison), Round Point (Madison), Round Button Down (Madison), Windsor Spread, British Round Point Madison, Mitered Spread, Narrow Curve Spread

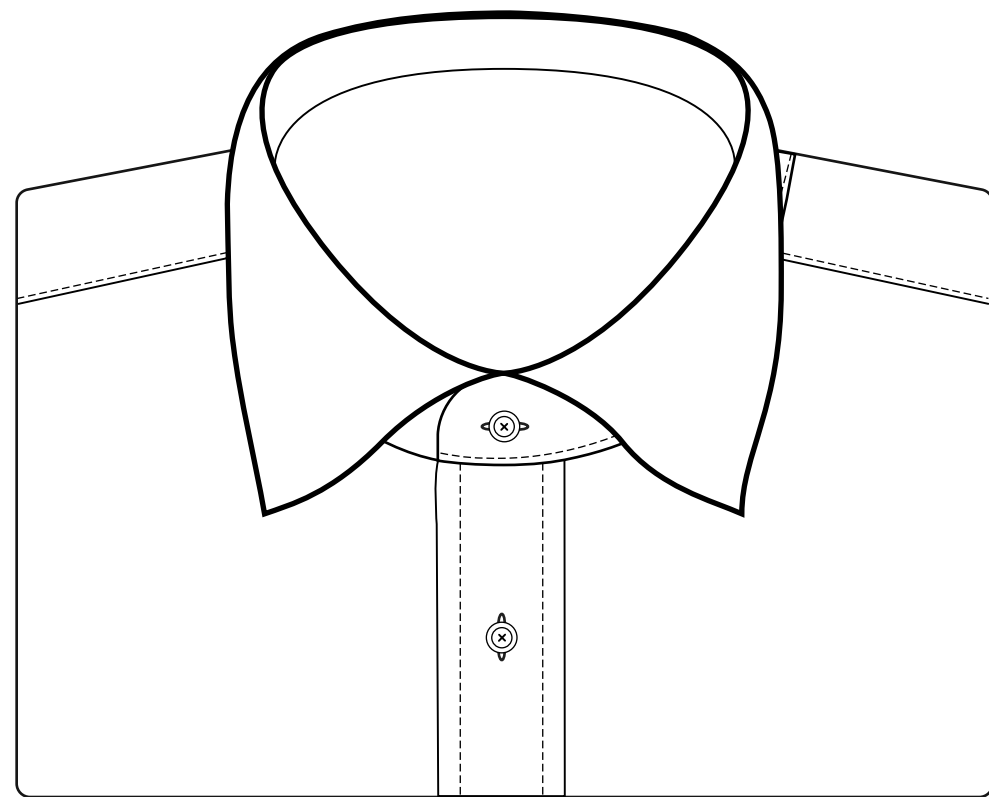
Tie Space:

-1/4", 0, 1/4", 1/2"

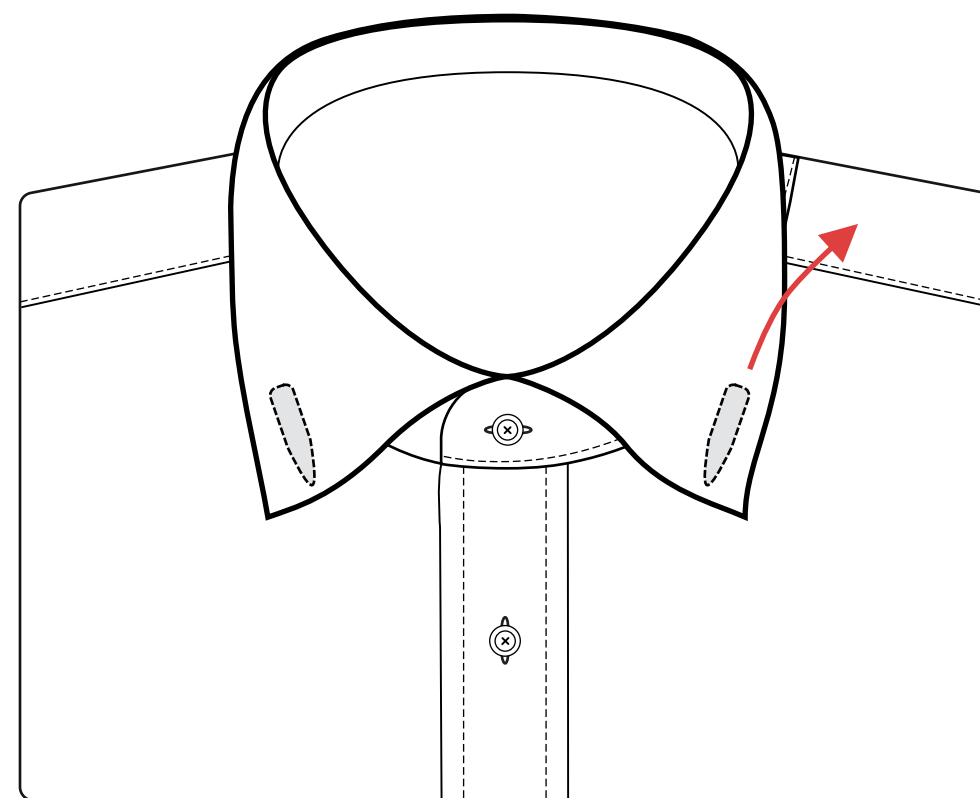
Collar Stays:

None

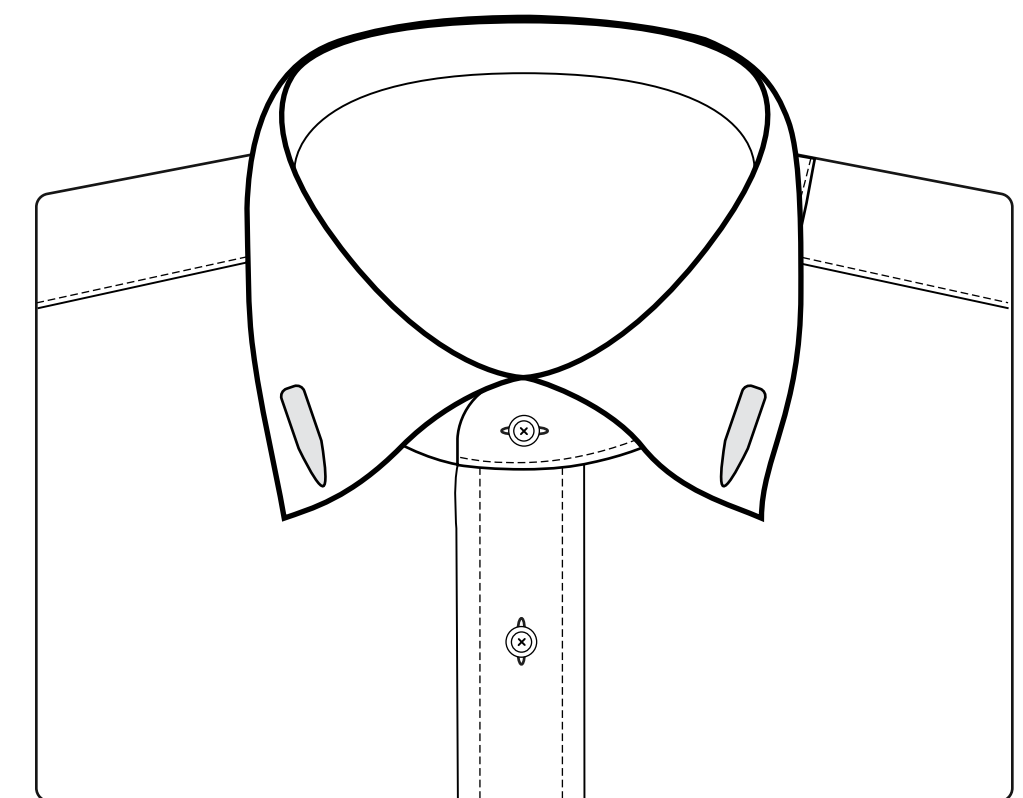
Collar Stays



None
No Stay Sleeve

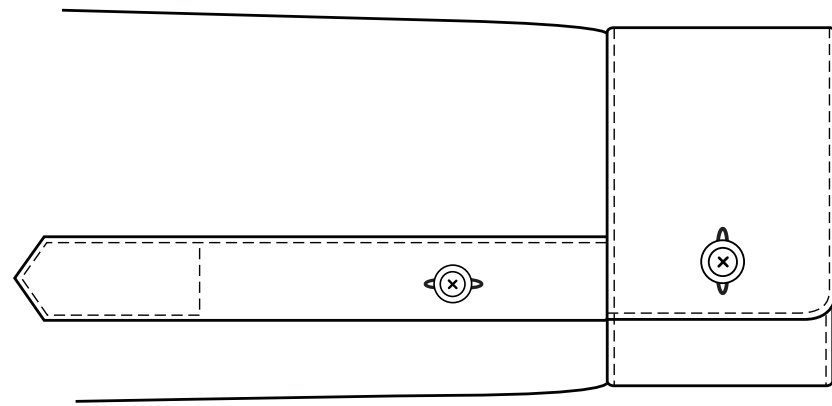


Removable
Open Sleeve w/ Plastic Stays

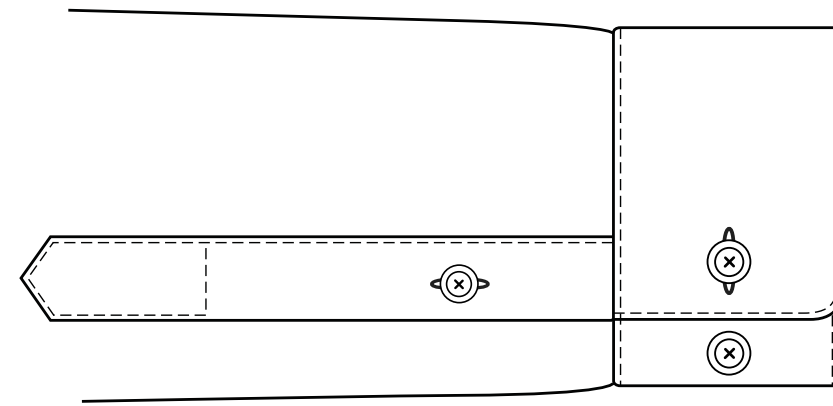


Permanent
Closed Sleeve w/ Plastic Stays

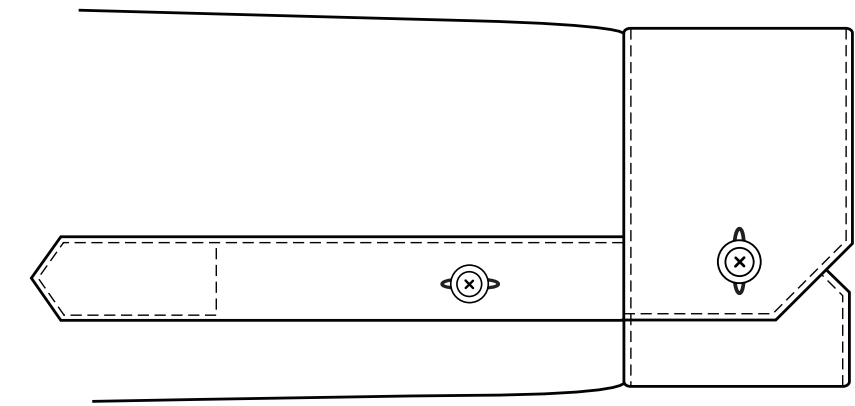
Cuffs



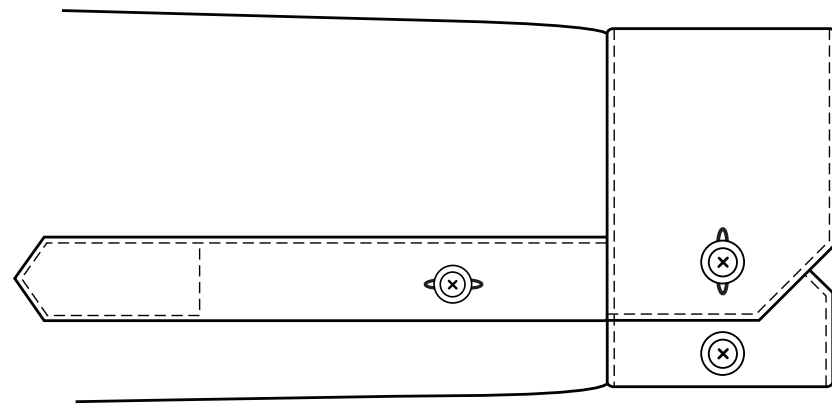
One Button Barrel



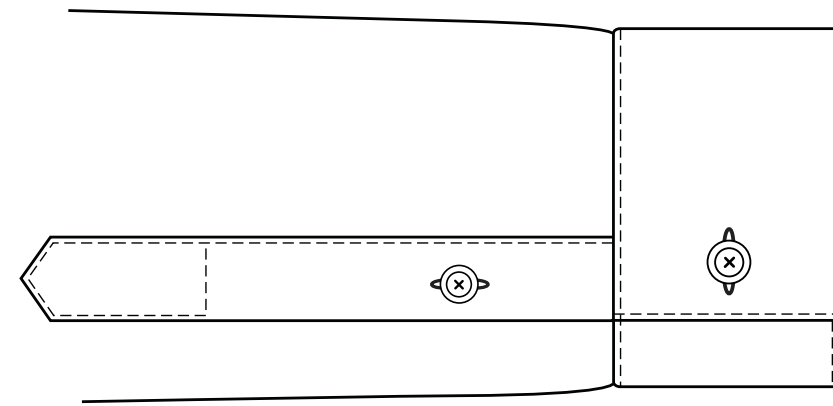
One Button Barrel (Adjustable)



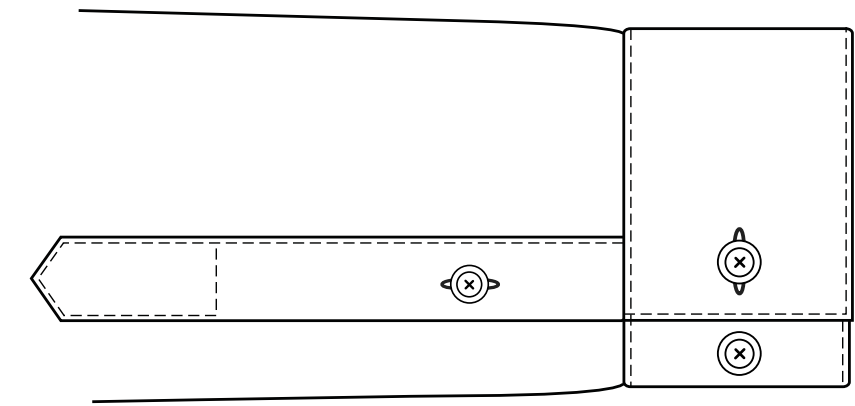
One Button Mitered



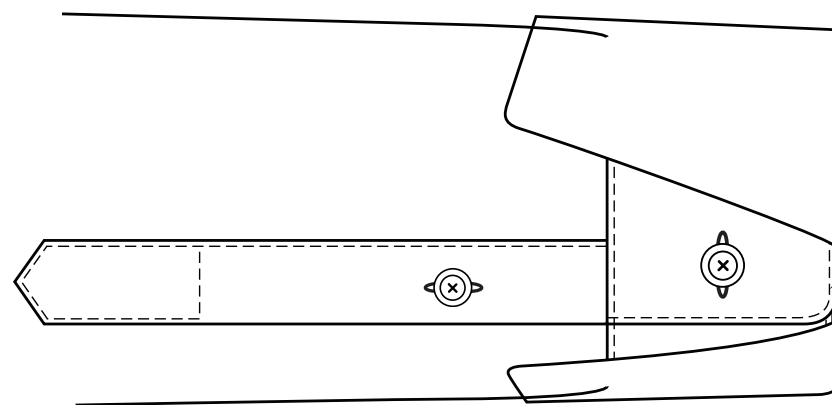
One Button Mitered (Adjustable)



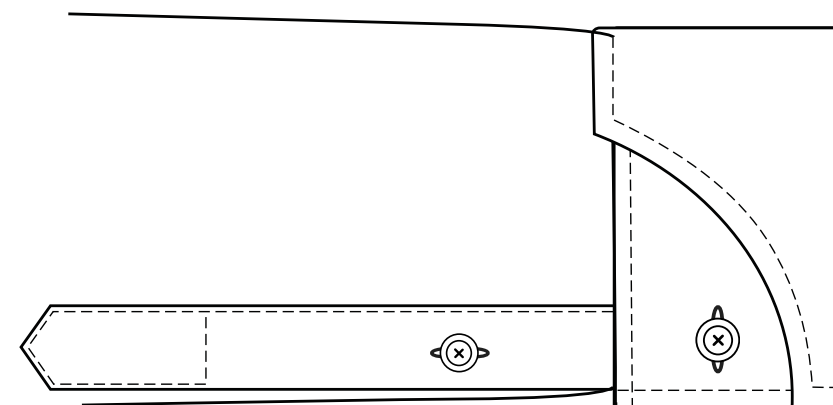
One Button Square



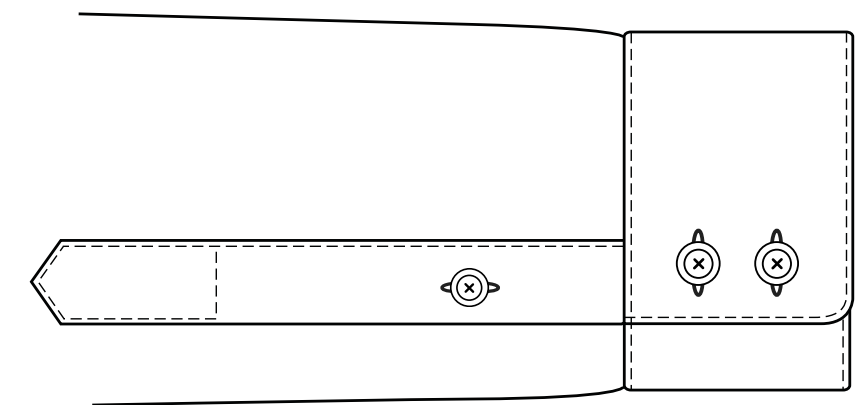
One Button Square (Adjustable)



One Button Fold

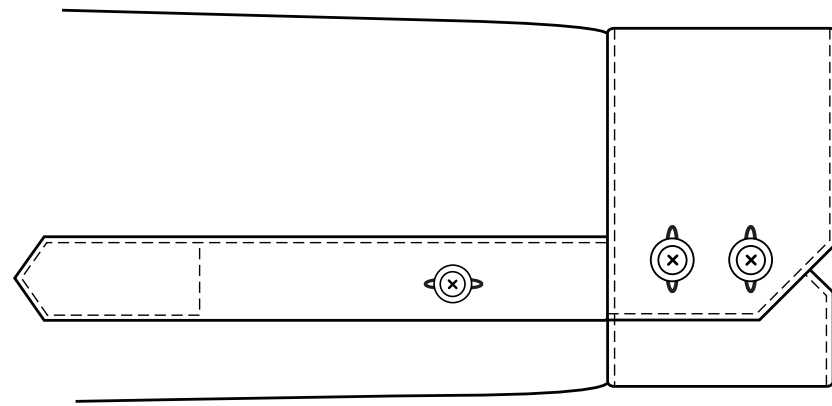


One Button Curved Fold

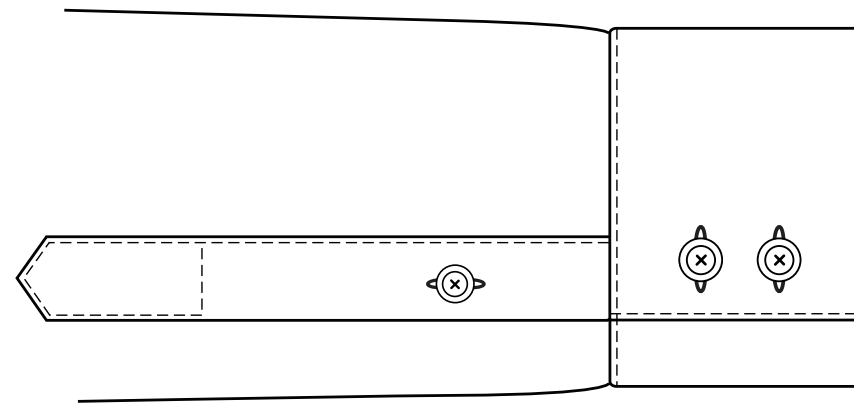


Two Button Barrel

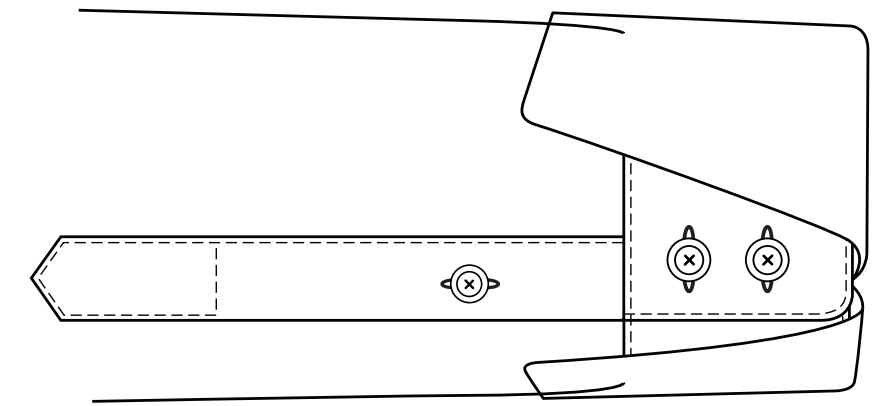
Cuffs



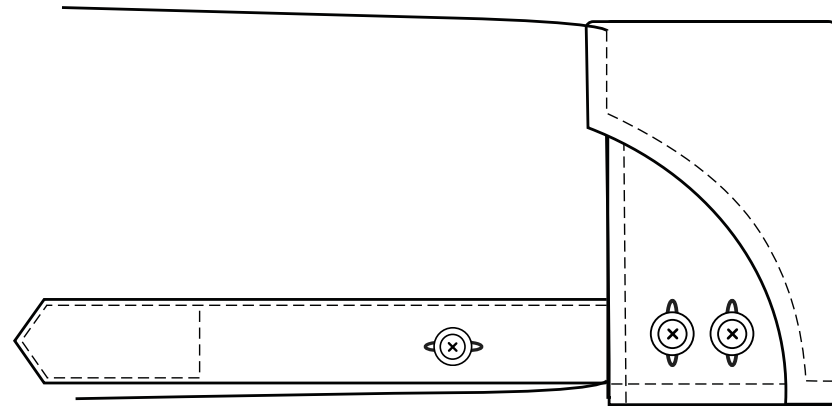
Two Button Mitered



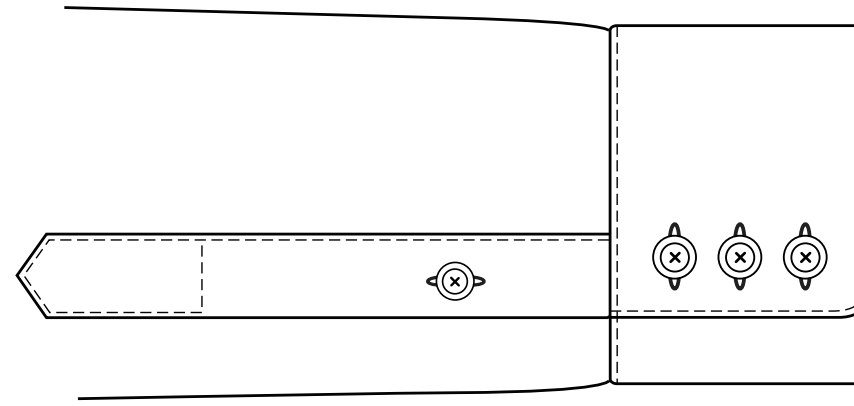
Two Button Square



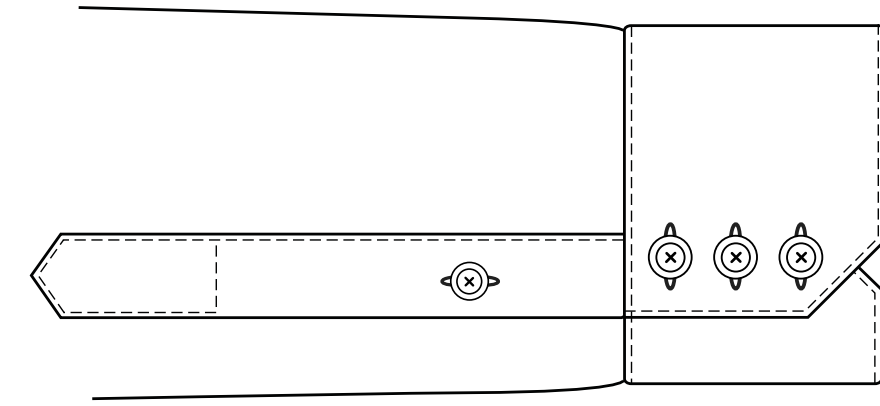
Two Button Fold



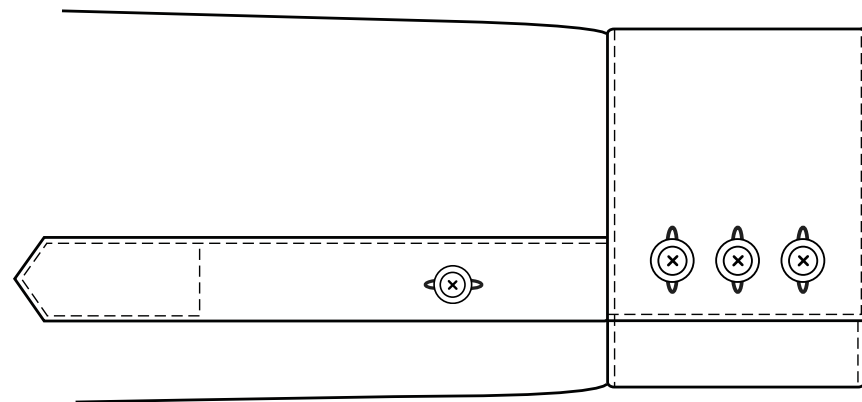
Two Button Curved Fold



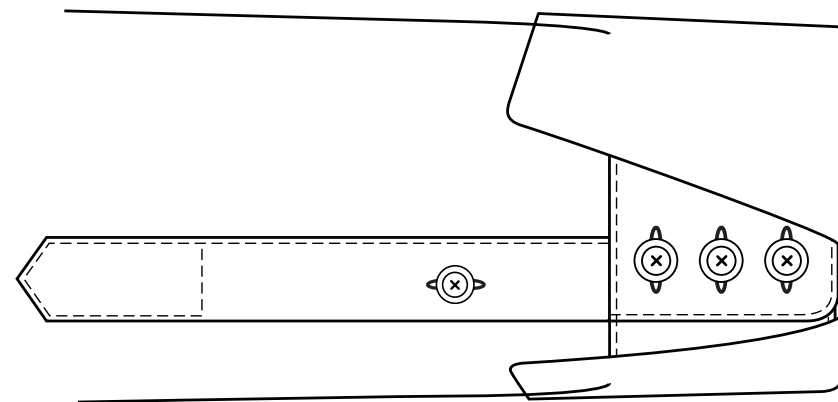
Three Button Barrel



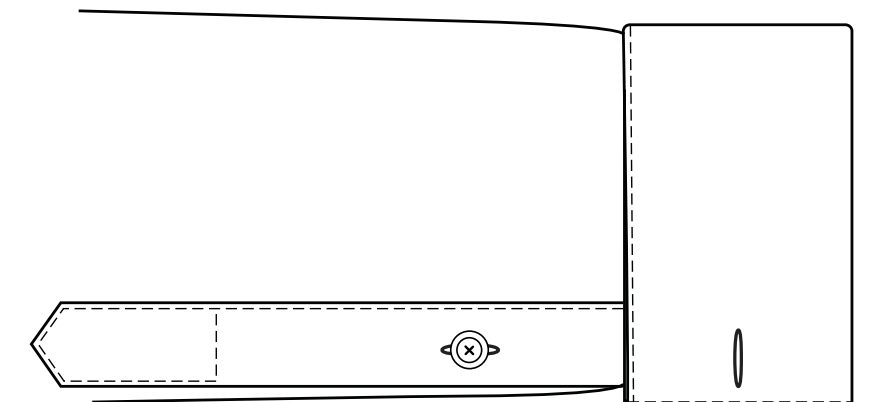
Three Button Mitered



Three Button Square

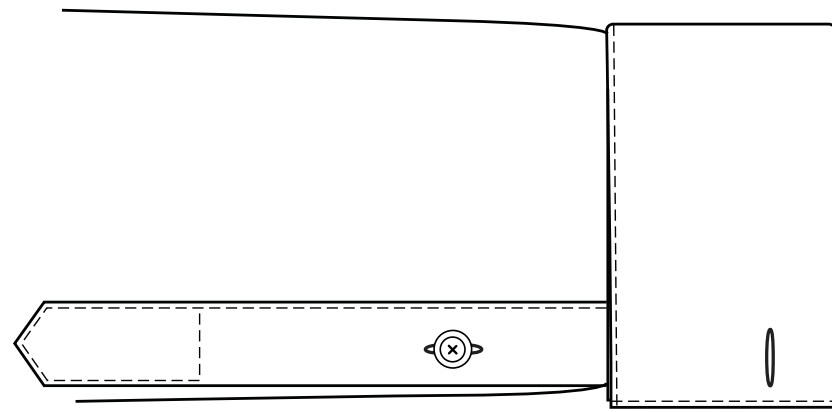


Three Button Fold

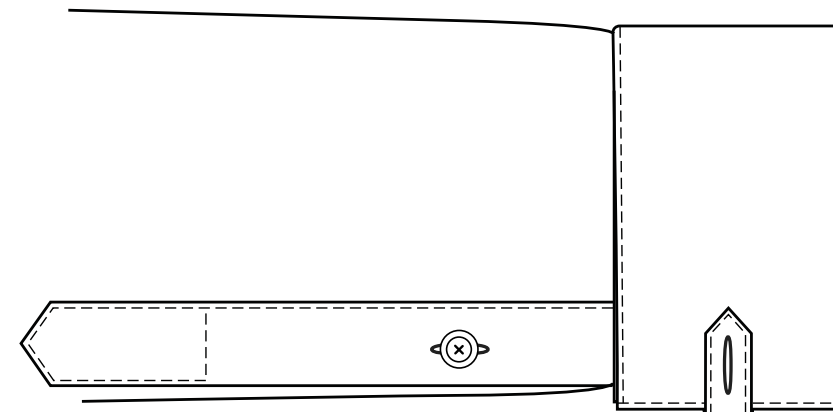


Classic French (Center)

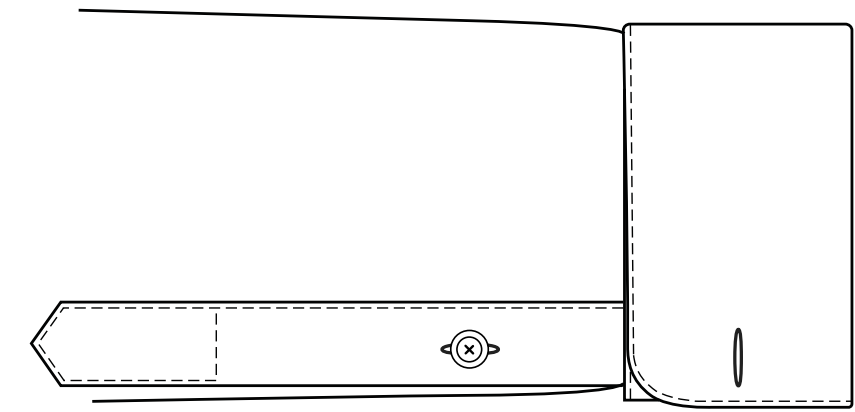
Cuffs



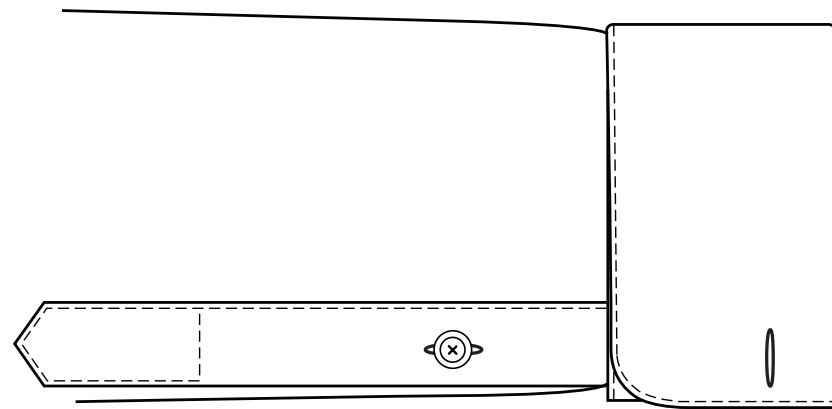
Classic French (Forward)



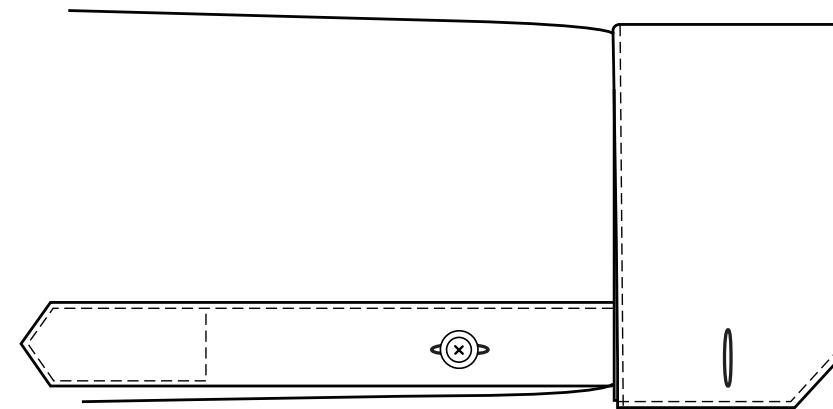
Classic French w/ Tab



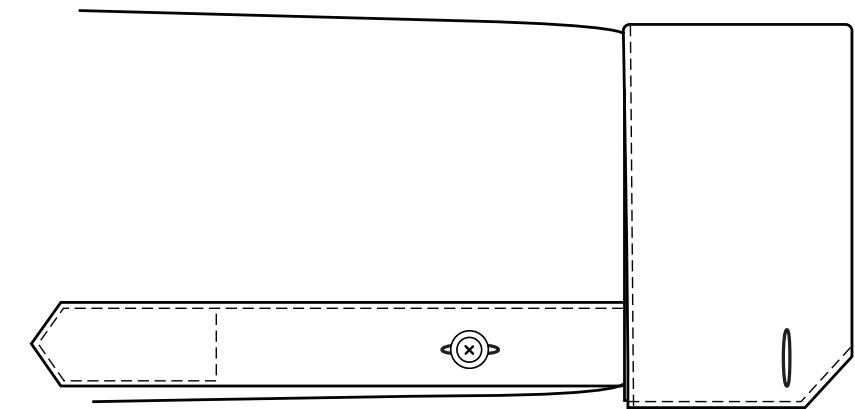
Rounded French (Center)



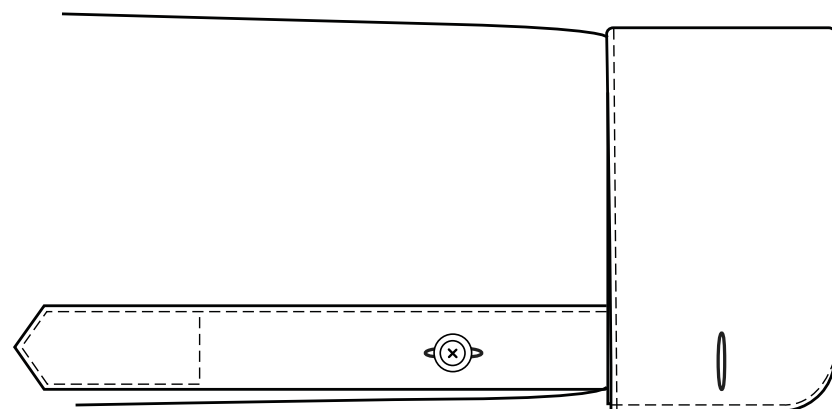
Rounded French (Forward)



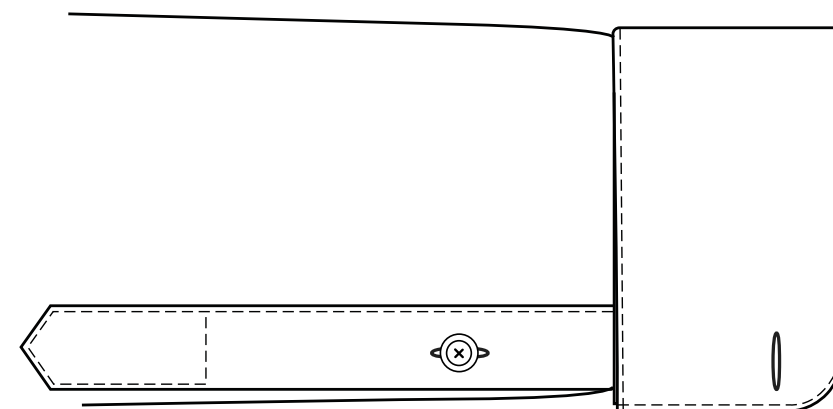
Angle Mitered French (Center)



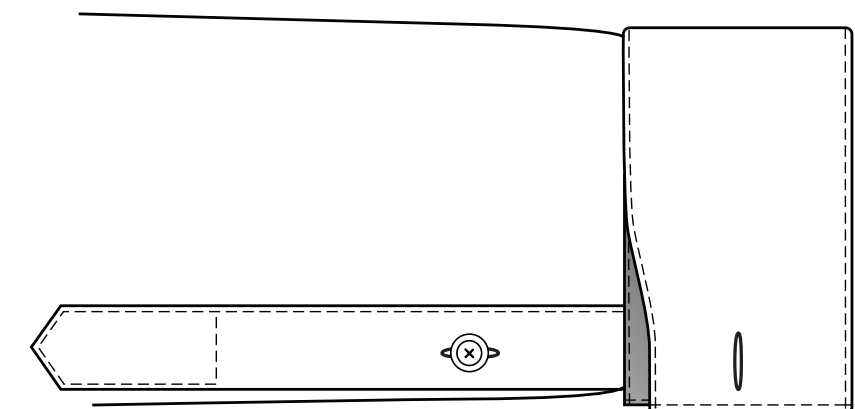
Angle Mitered French (Forward)



Round Mitered French (Center)

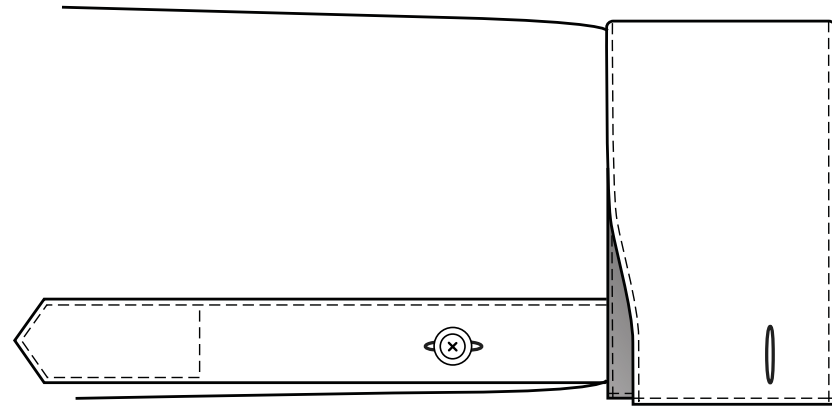


Round Mitered French (Forward)

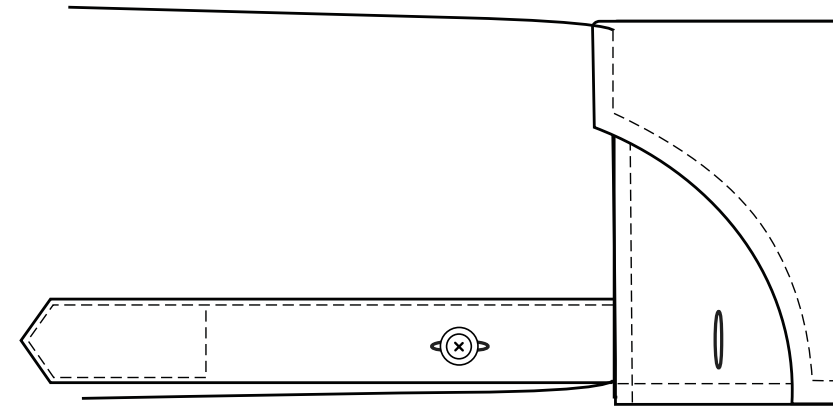


Scallop French (Center)

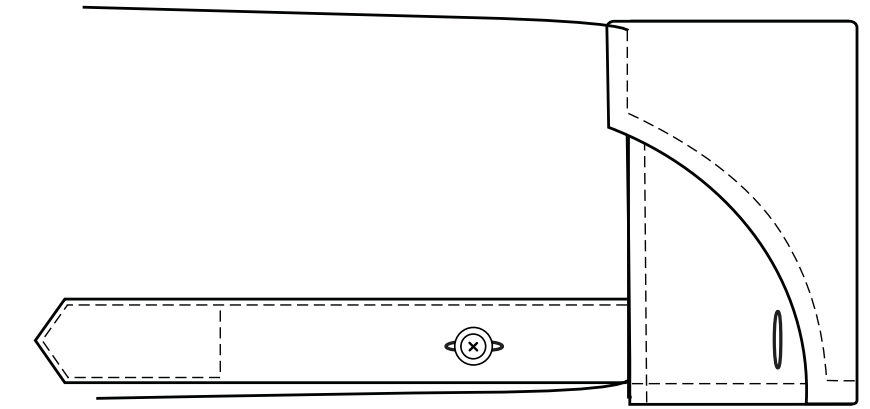
Cuffs



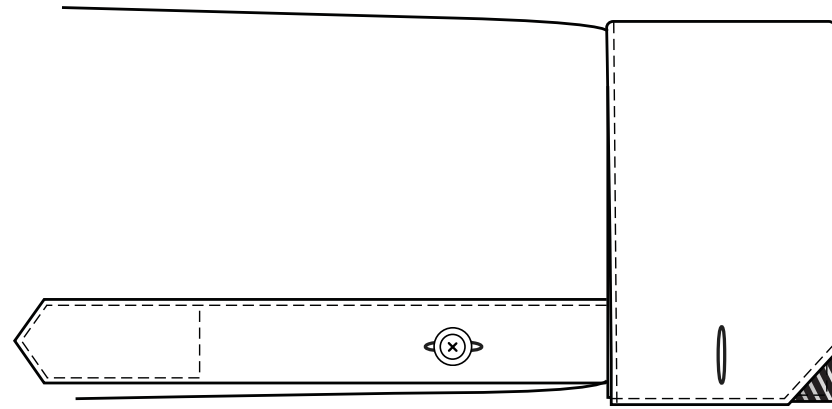
Scalloped French (Forward)



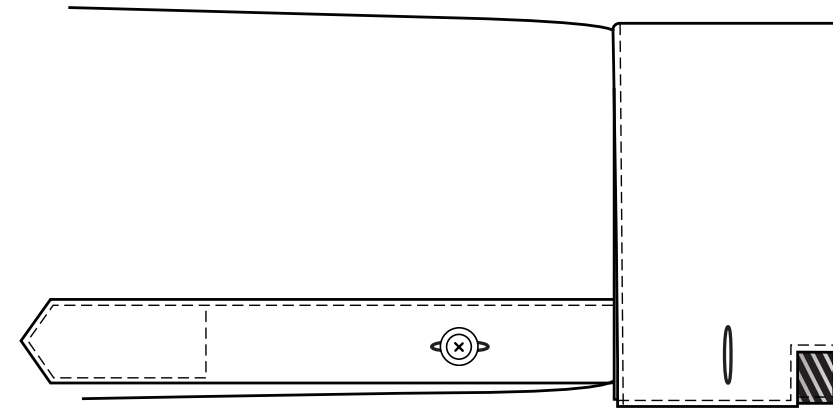
Curved Fold French (Center)



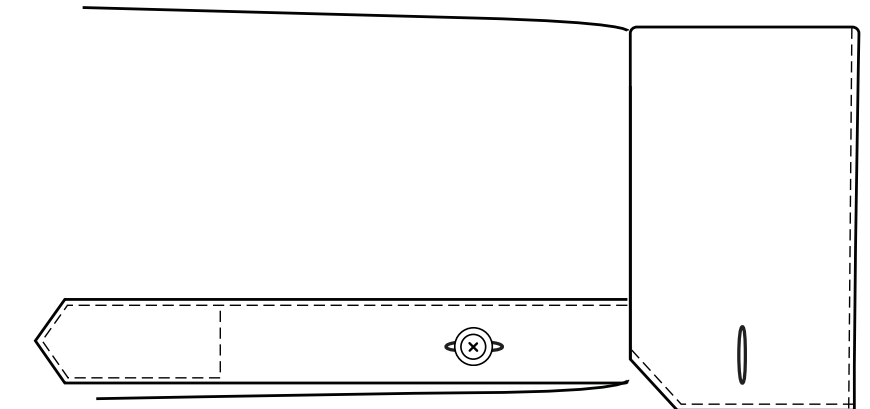
Curved Fold French (Forward)



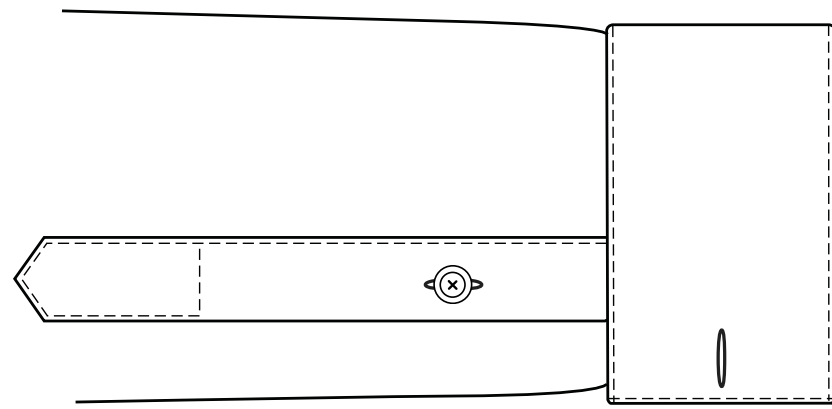
Window Angled French



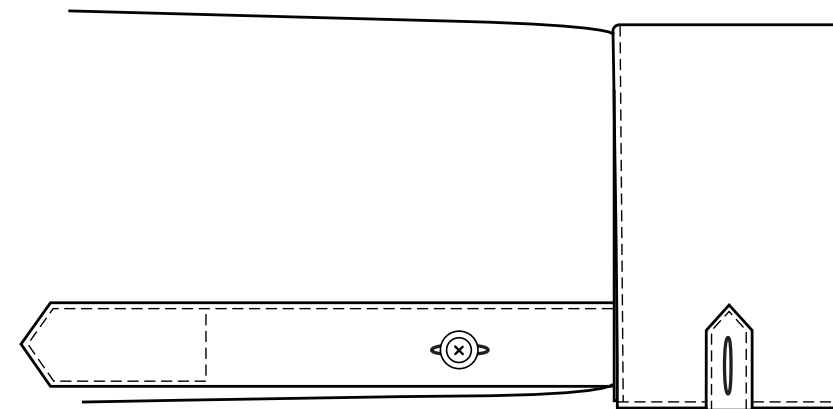
Window Square French



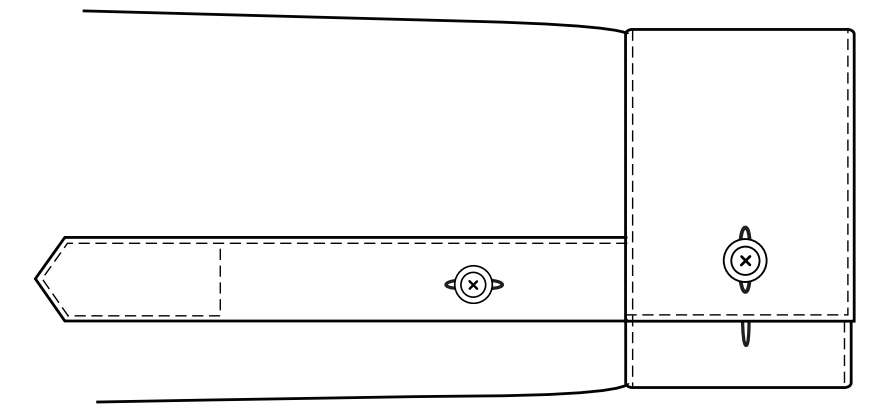
Rear Angle Mitered French



Non-Fold French

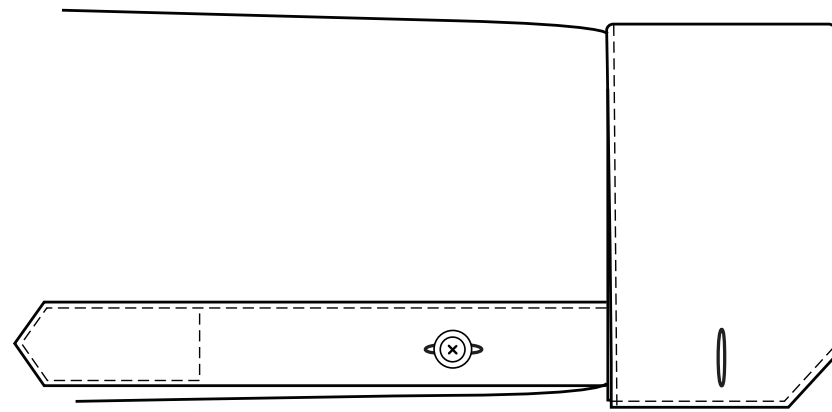


Non-Fold w/ Tab

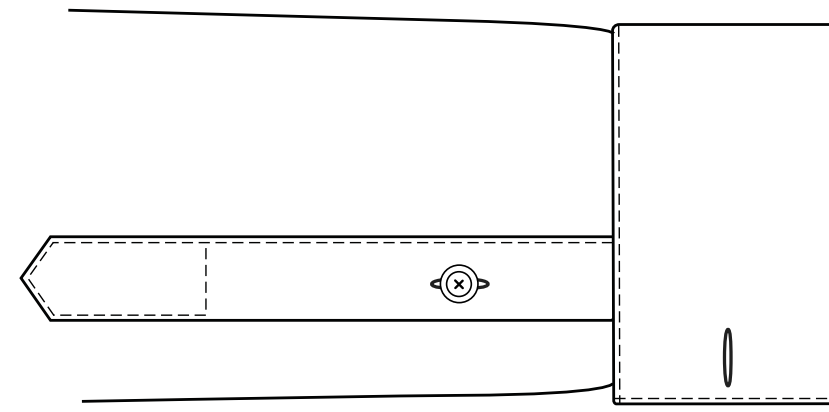


Non-Fold Convertible

Cuffs

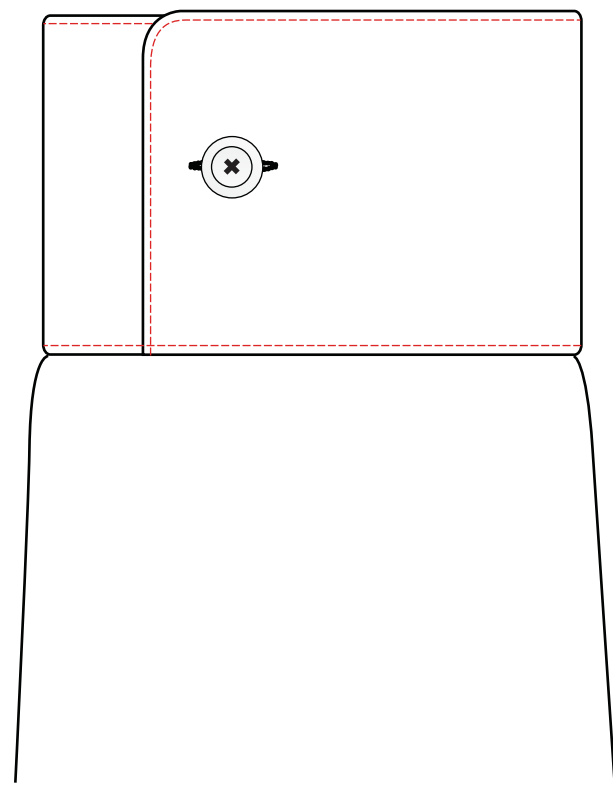


Non-Fold Mitered French

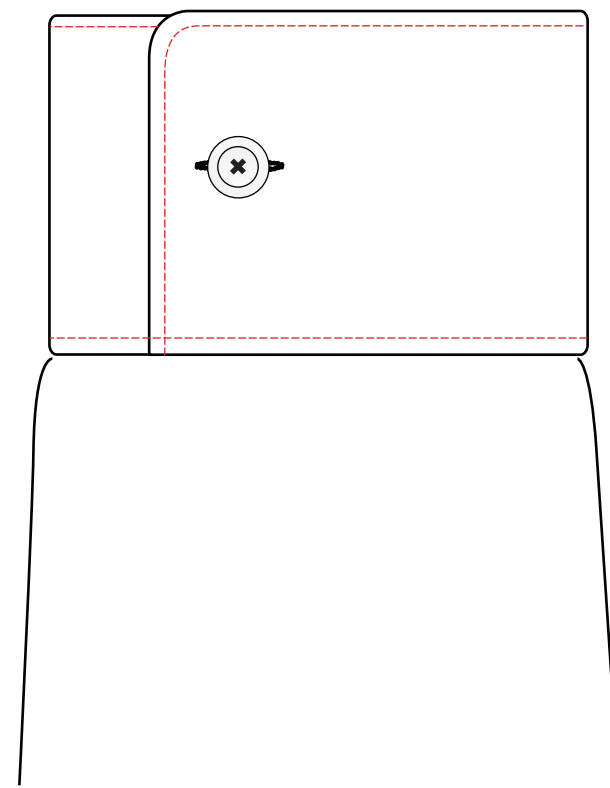


Non-Fold Mitered Convertible French

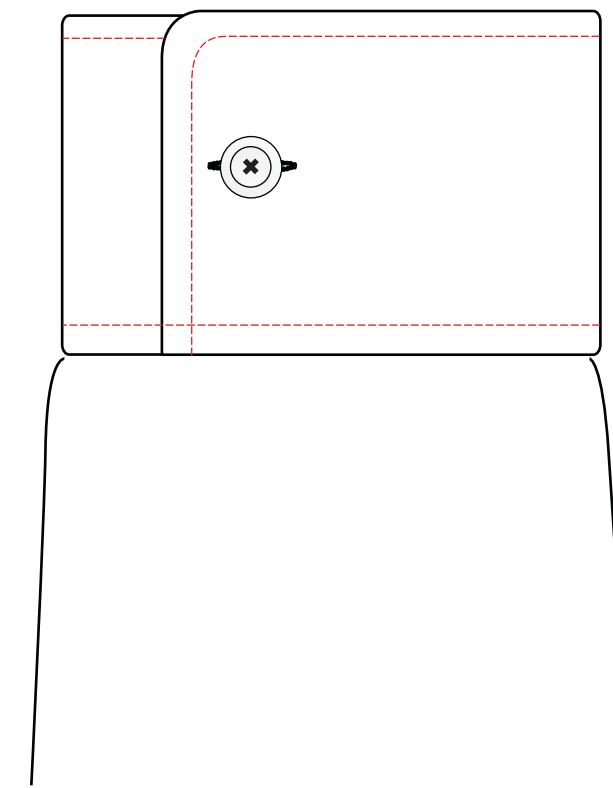
Cuff Stitching Position



$\frac{1}{16}$ " Stitching

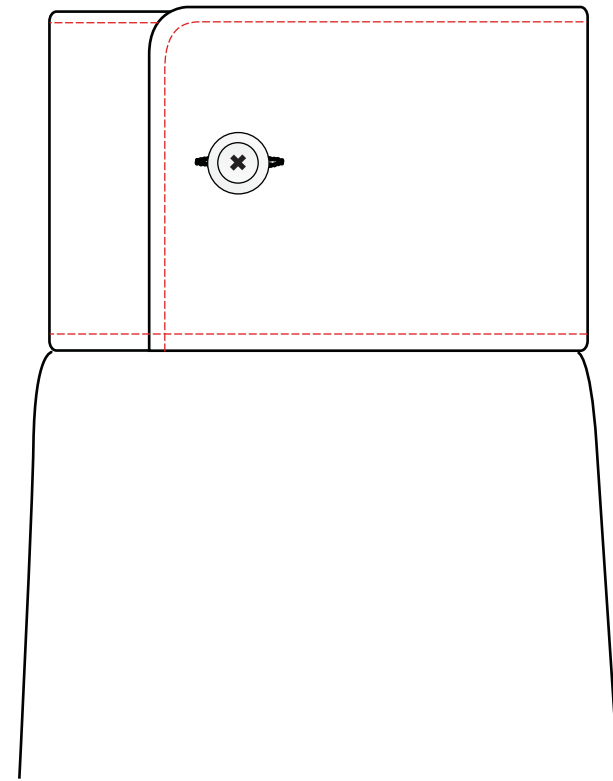


$\frac{1}{8}$ " Stitching

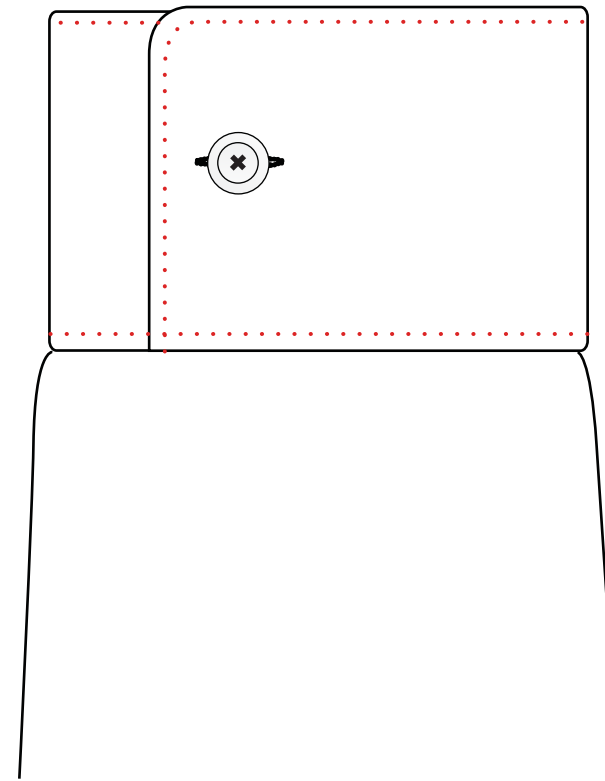


$\frac{1}{4}$ " Stitching

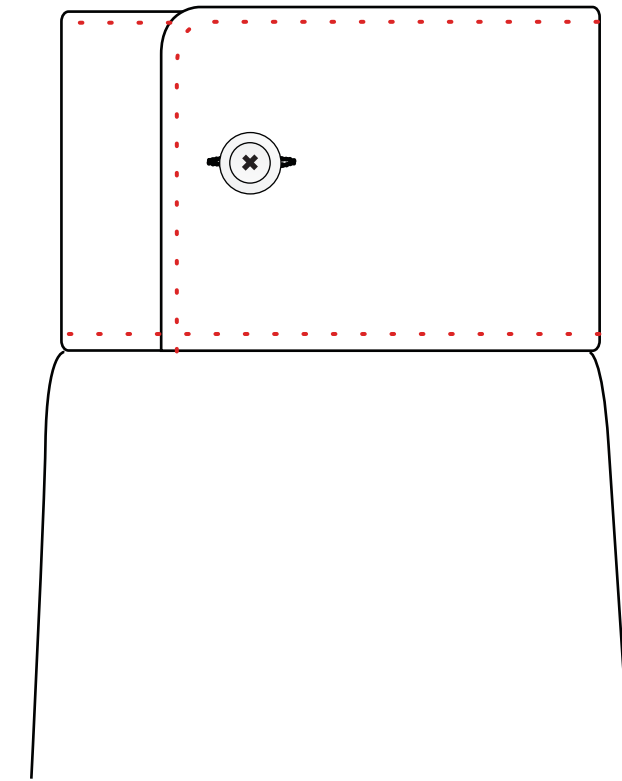
Cuff Stitching



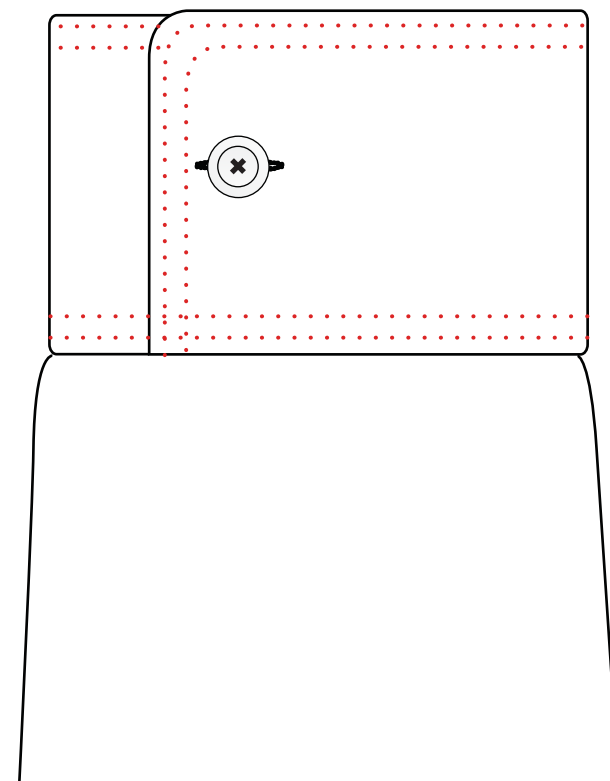
Single Needle



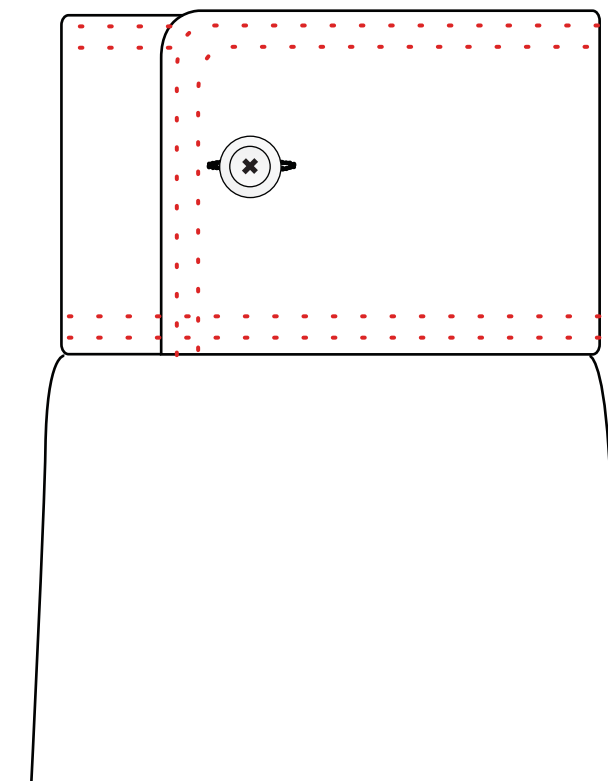
Pic



Wide Pic

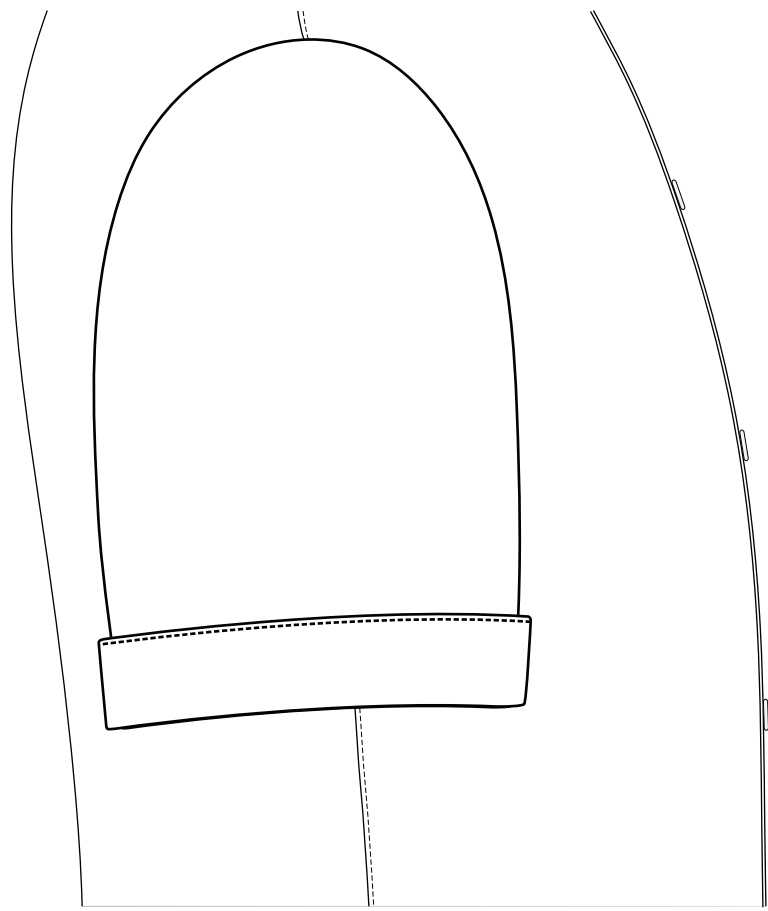


Double Pic

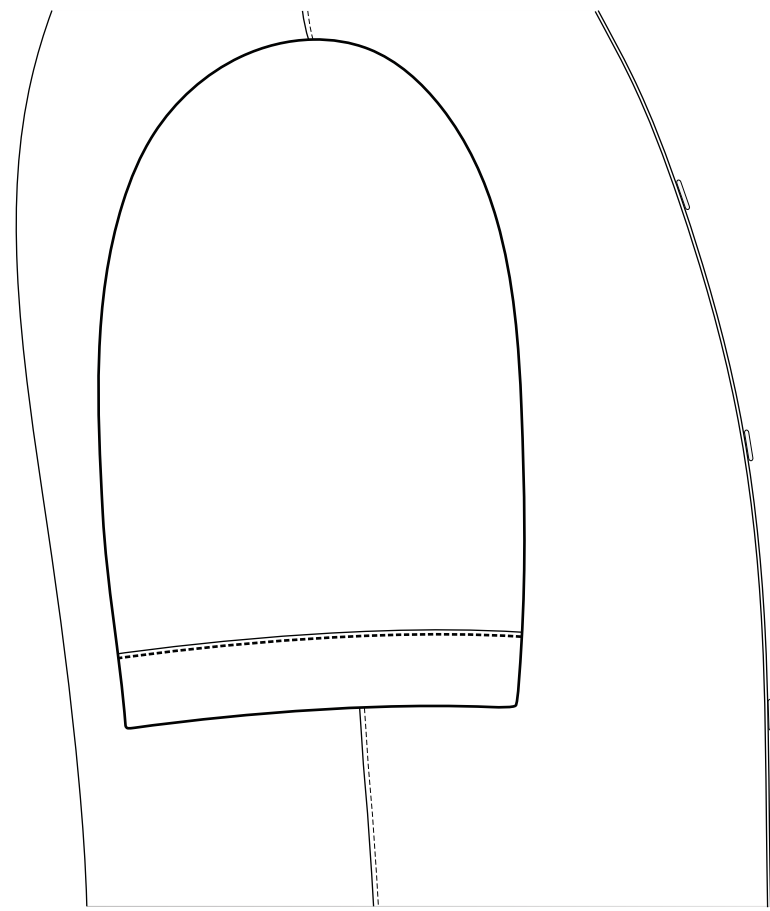


Double Wide Pic

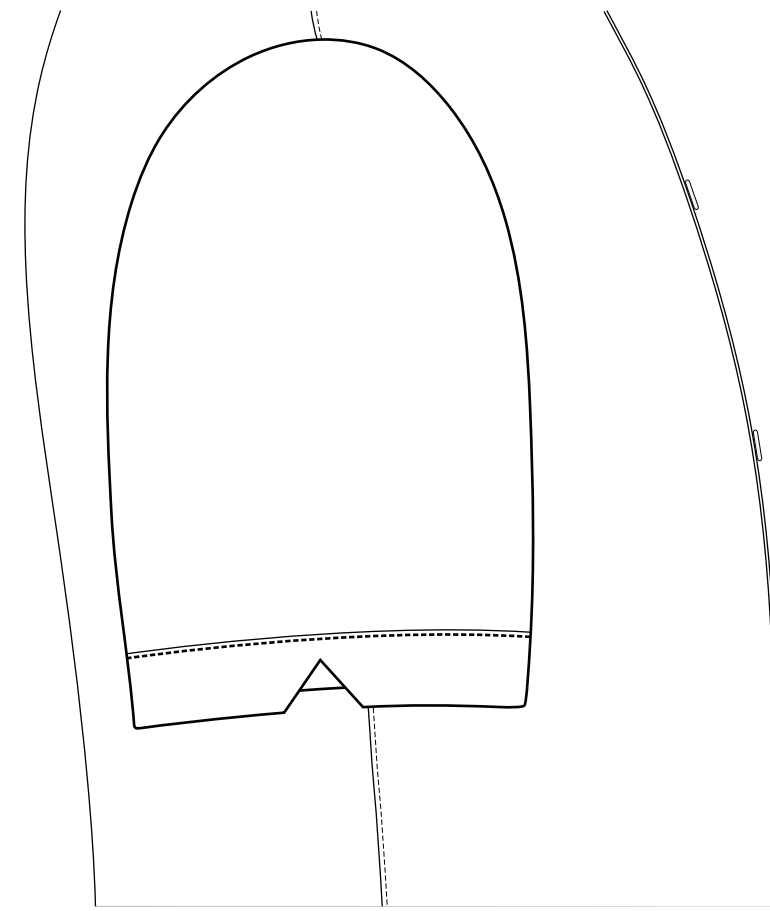
Short Sleeve Cuffs



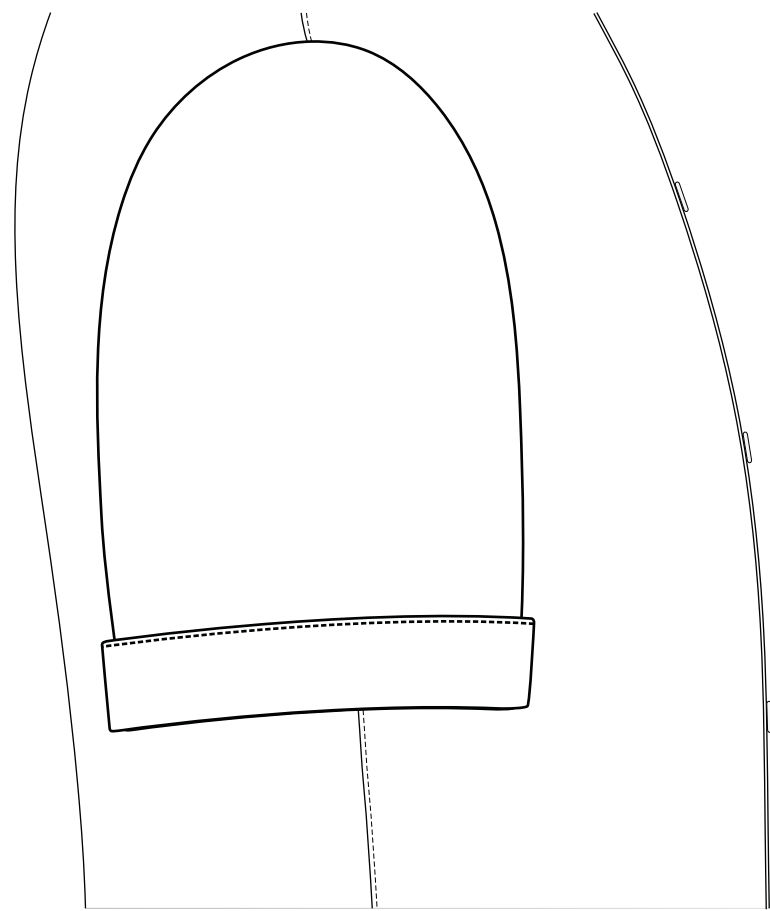
Plain



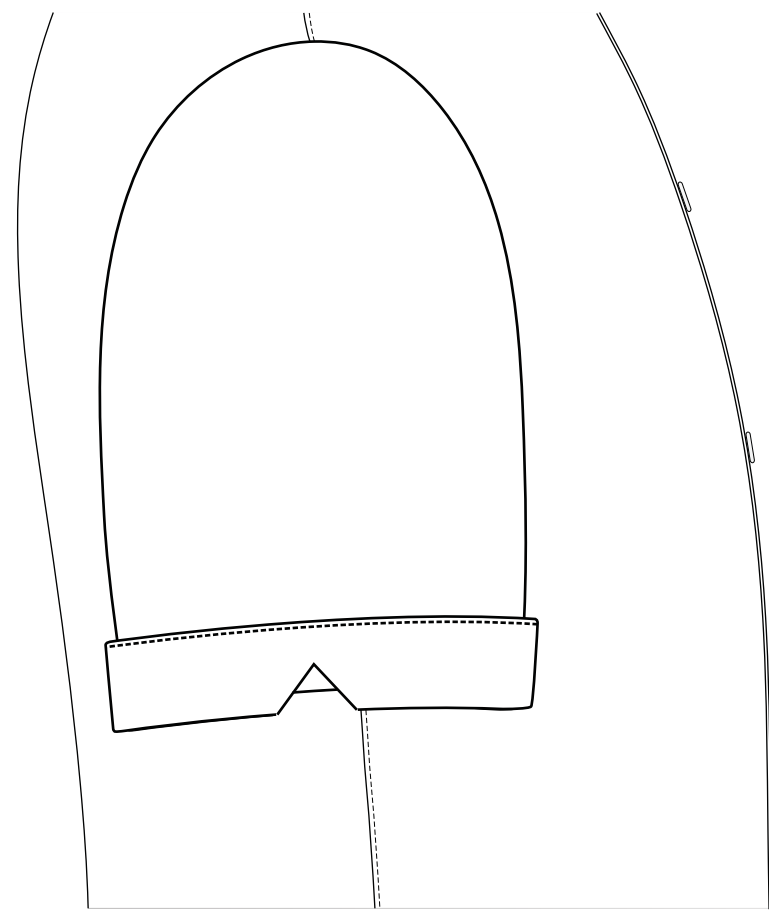
Hem



Hem with Vent

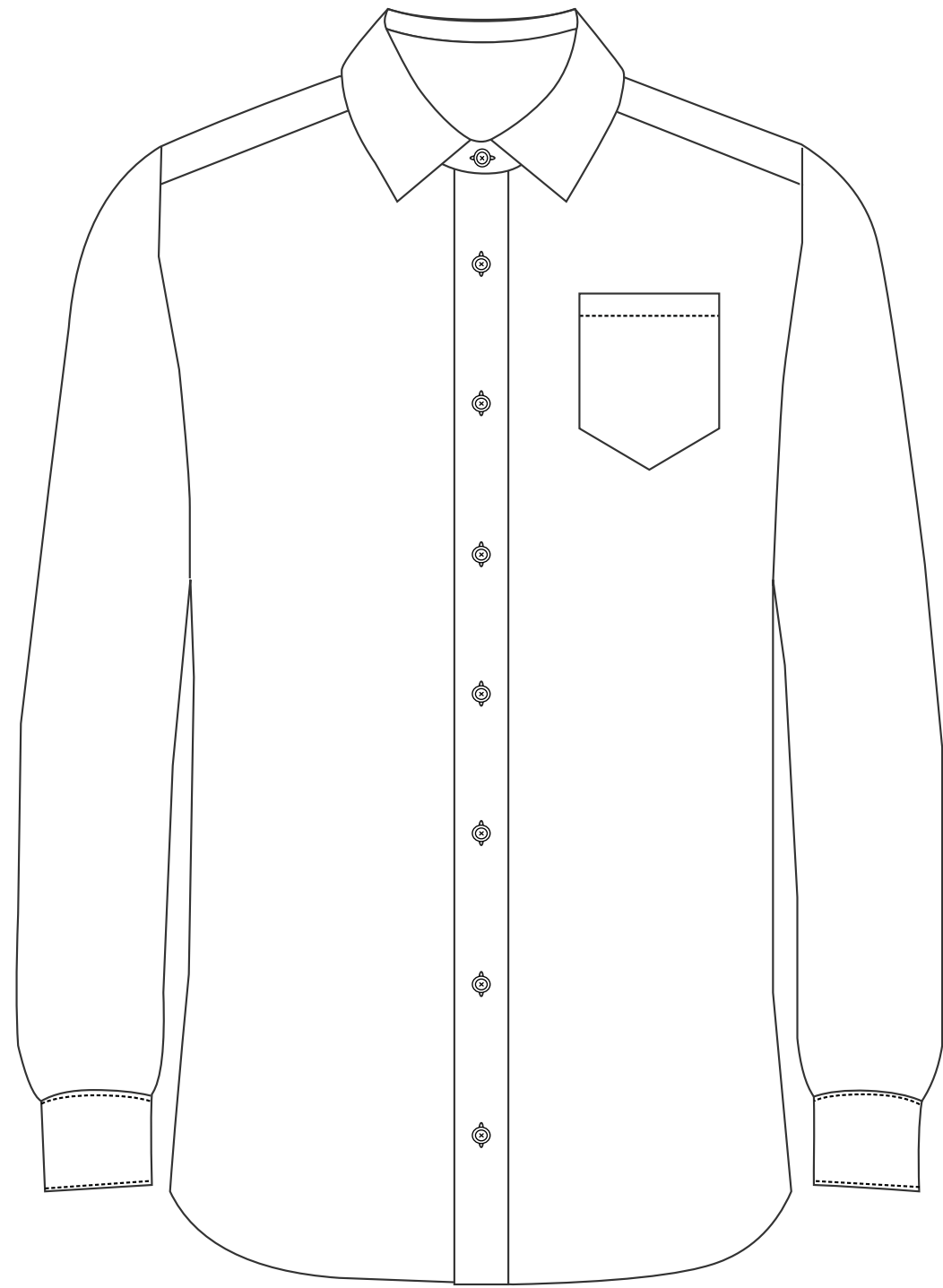


Cuff

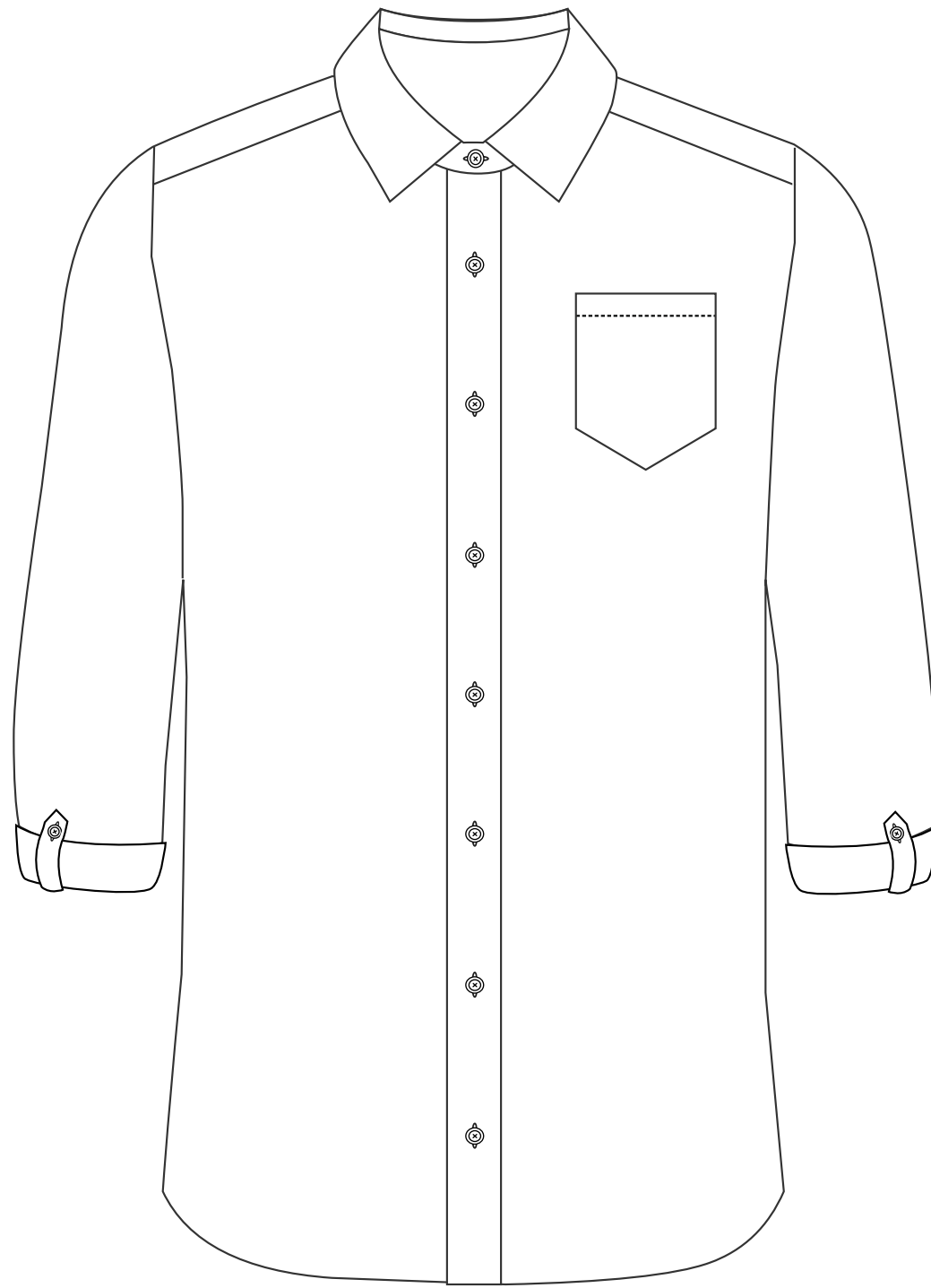


Cuff with Vent

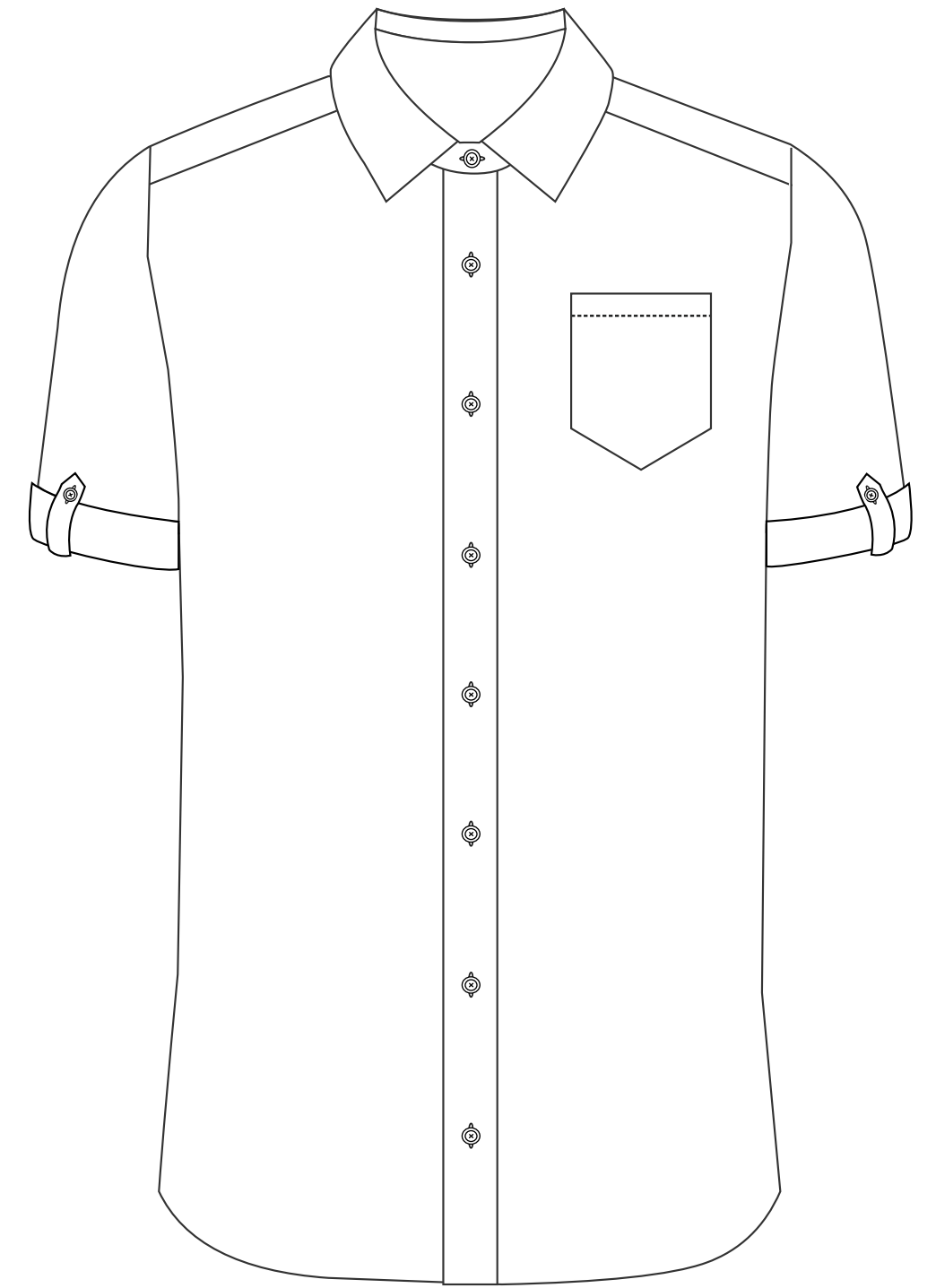
Sleeve Straps



None

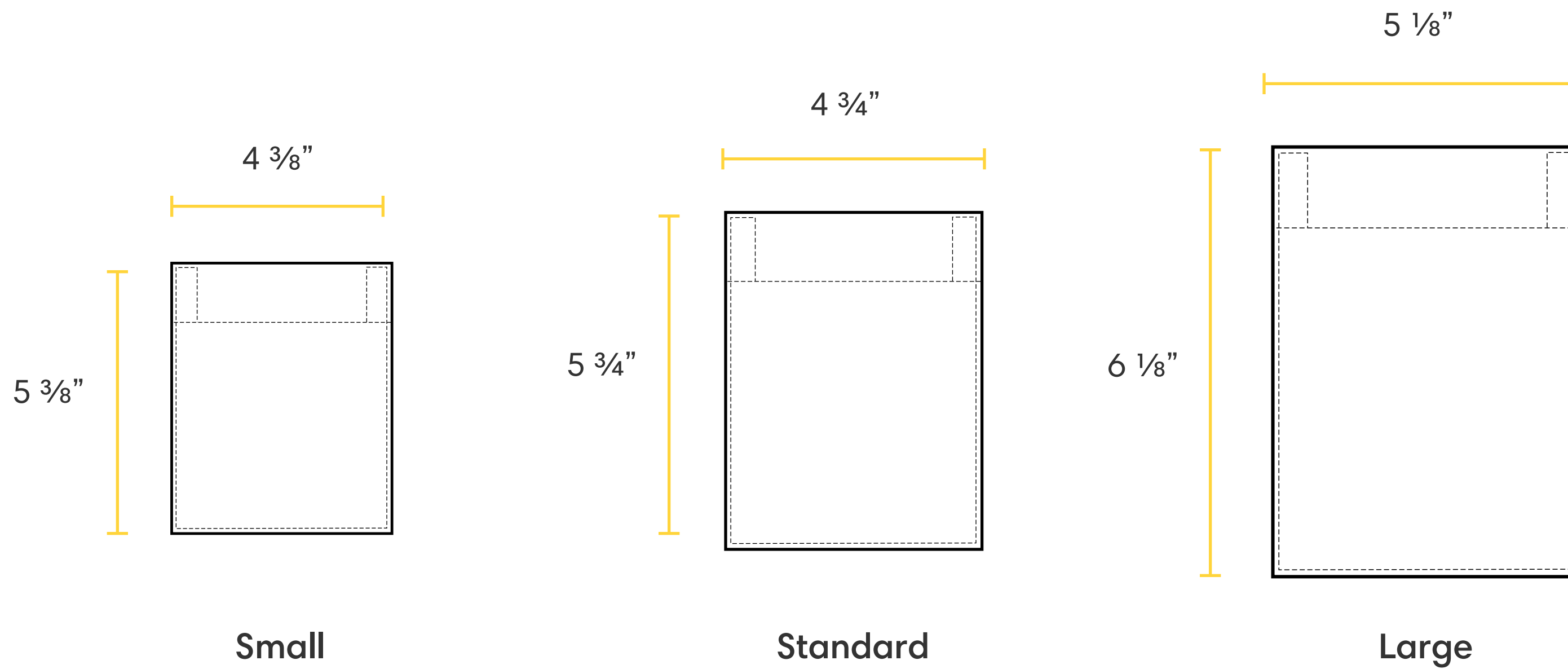


Forearm Position



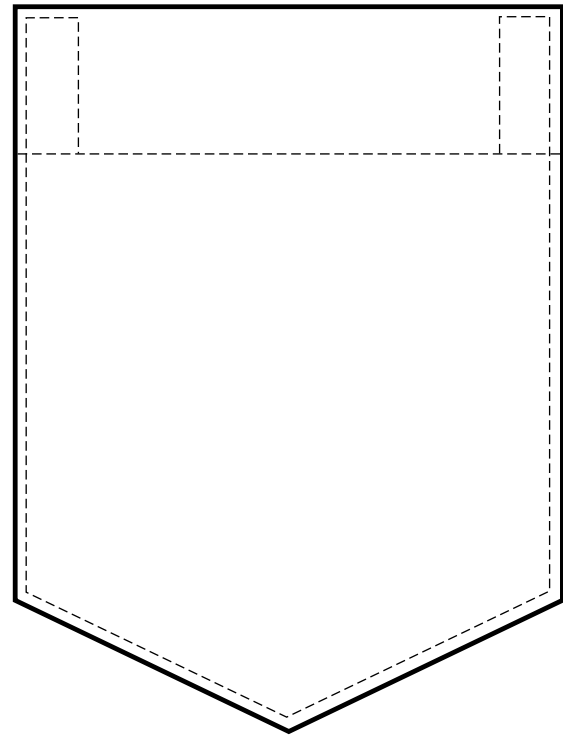
Elbow Position

Pocket Size

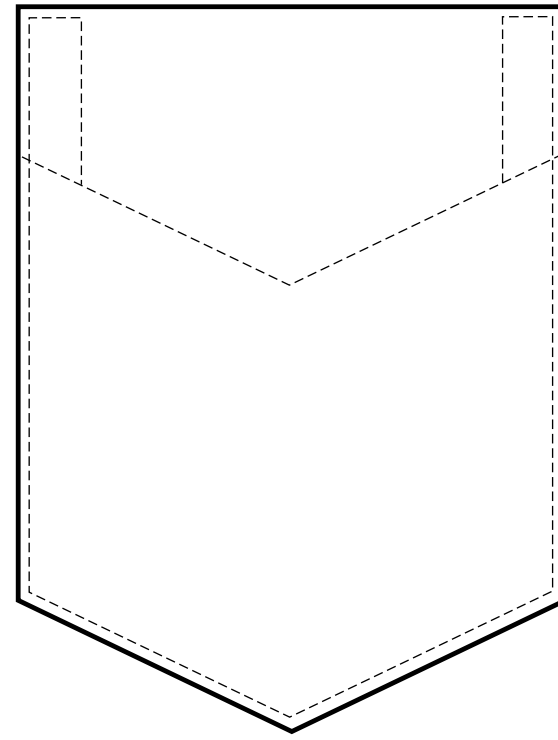


Values rounded to nearest $\frac{1}{8}$ "

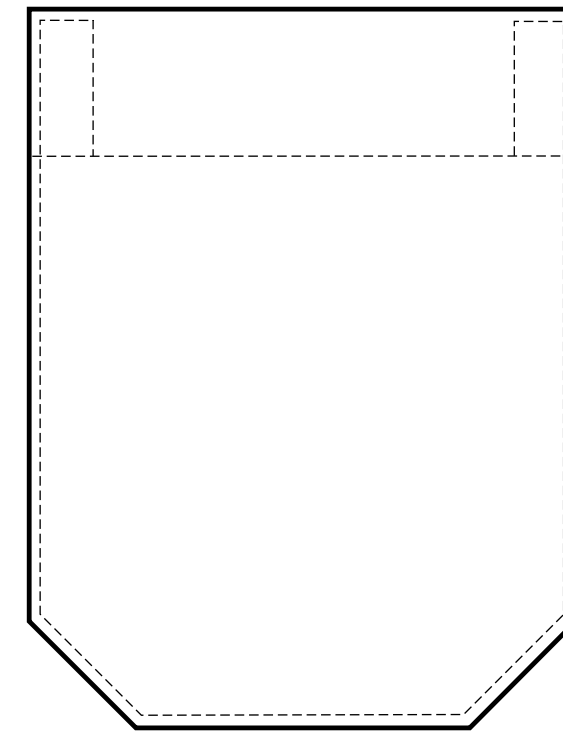
Pocket Type



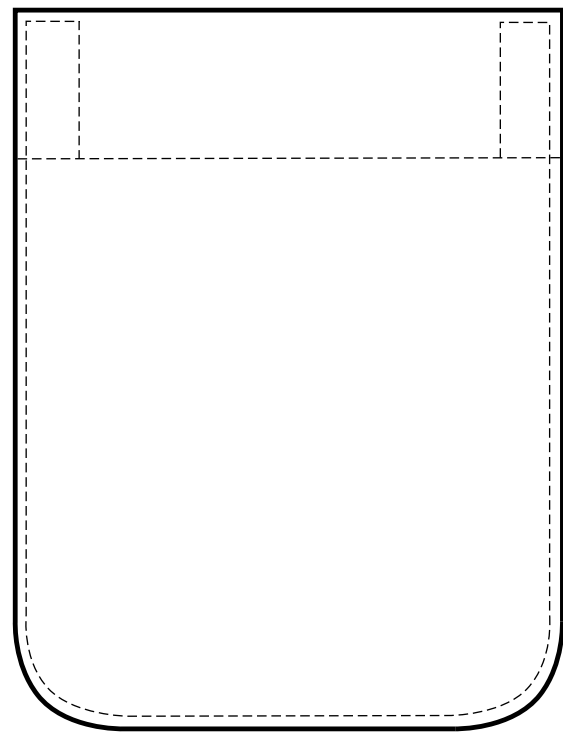
Plain



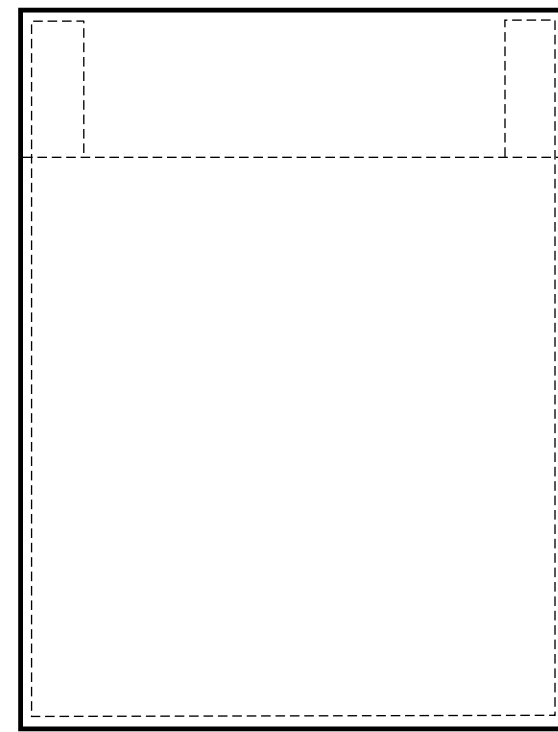
V Hem



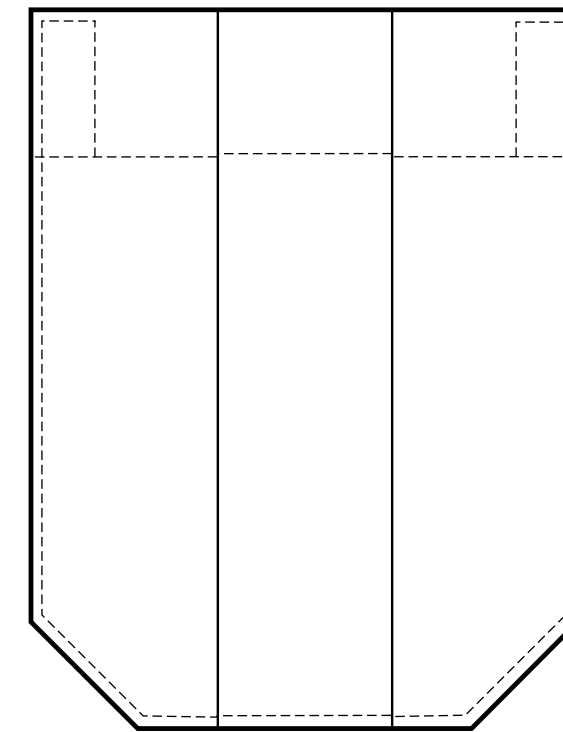
Mitered



Rounded

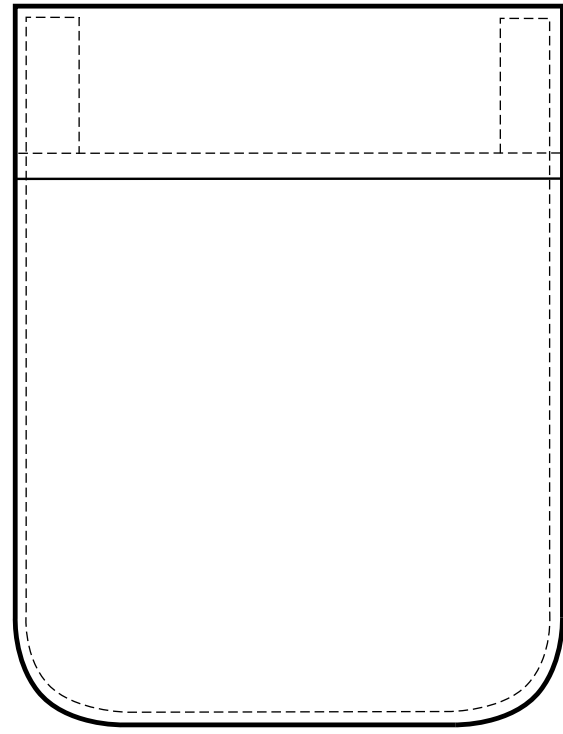


Square

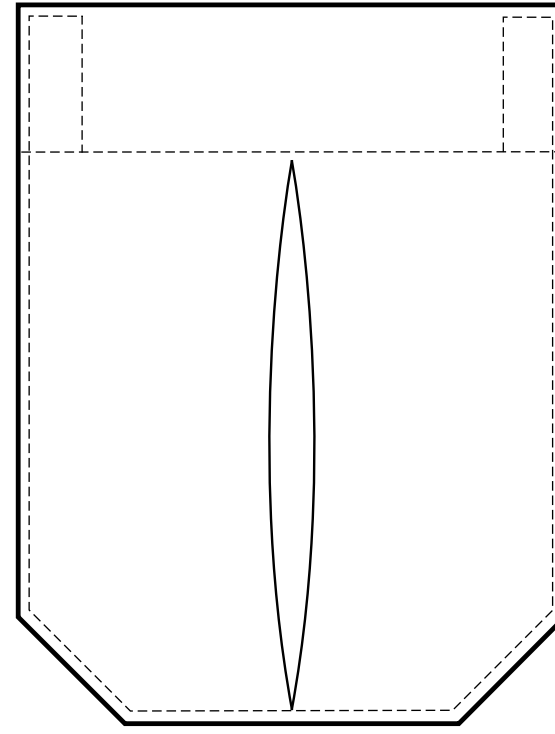


Pleated

Pocket Type

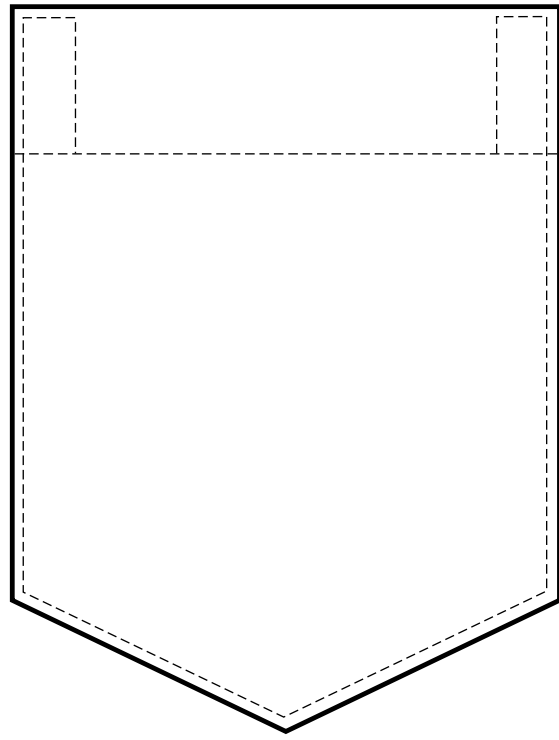


Rounded Welt

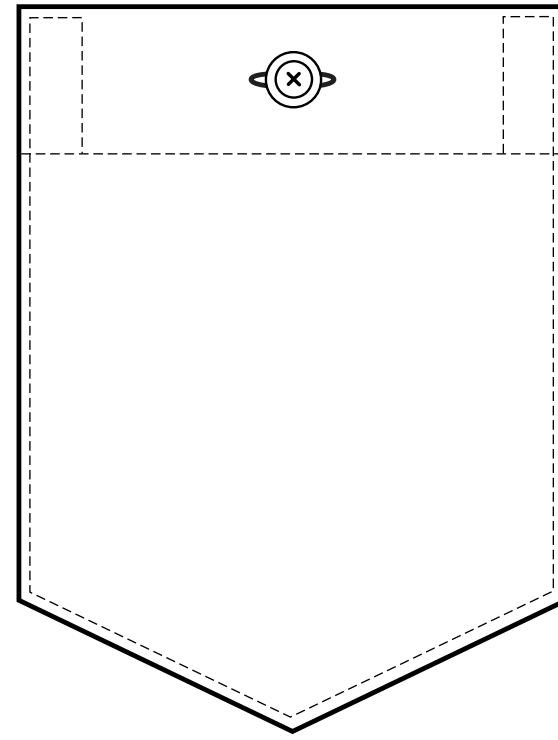


Inverted Pleat

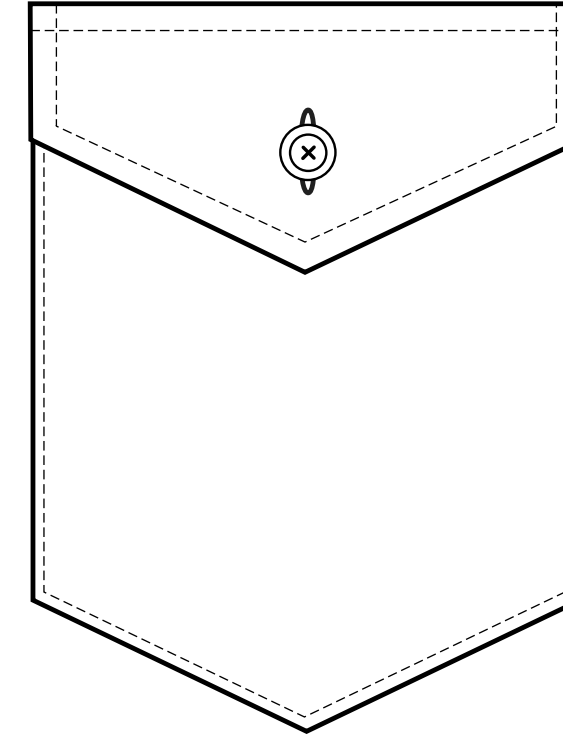
Pocket Flap



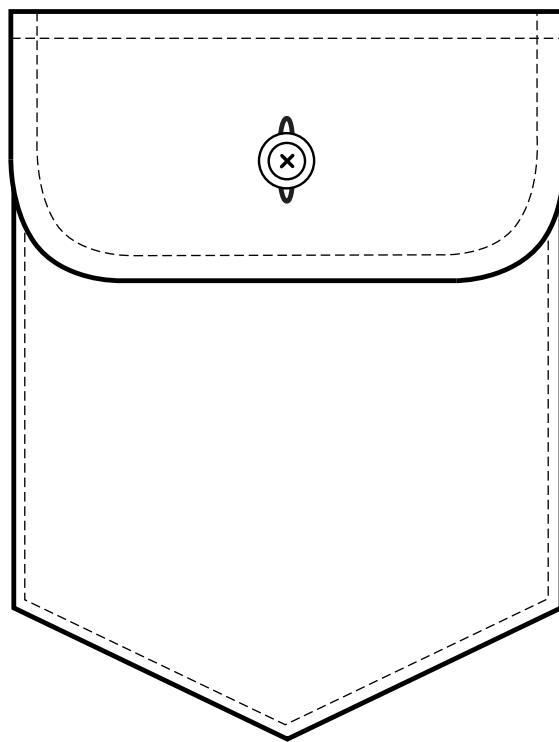
None



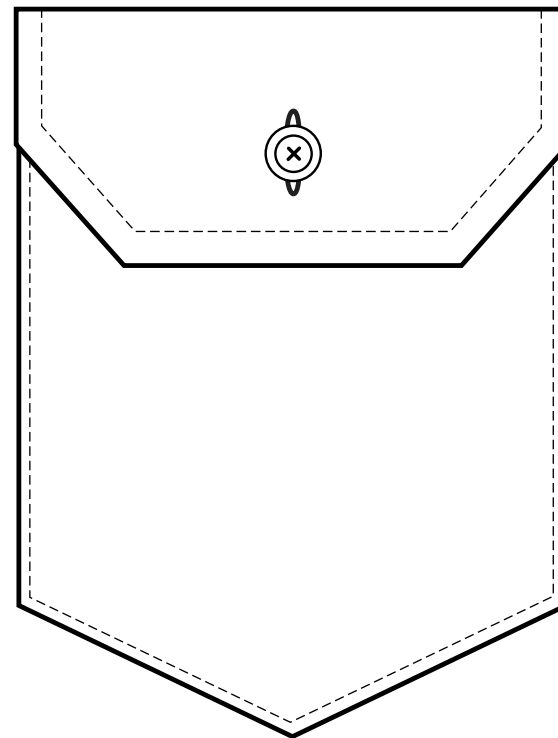
Center Button Through



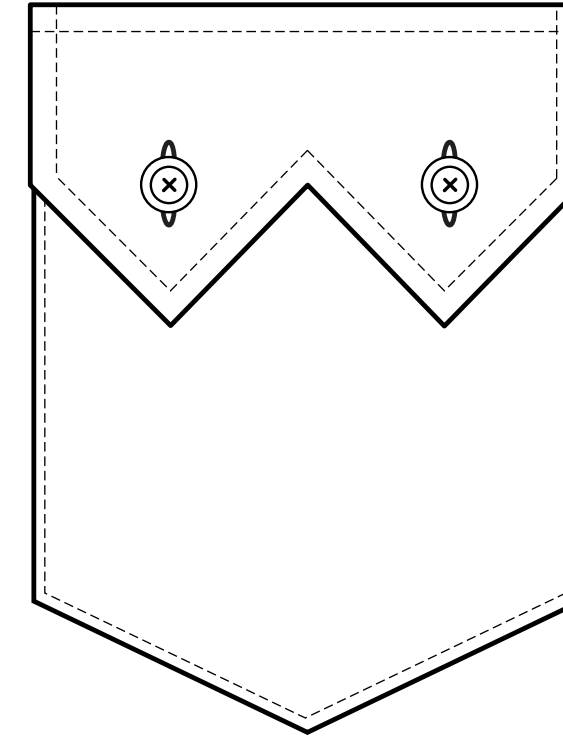
Point



Rounded

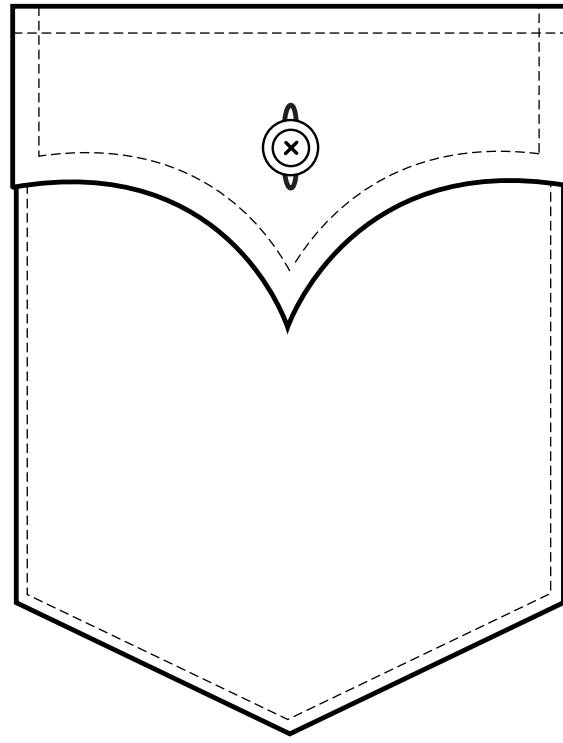


Mitered

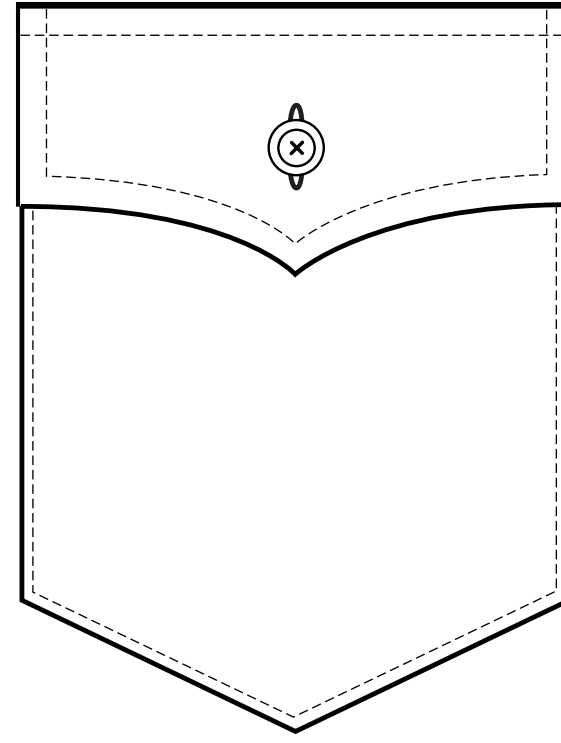


Sawtooth

Pocket Flap

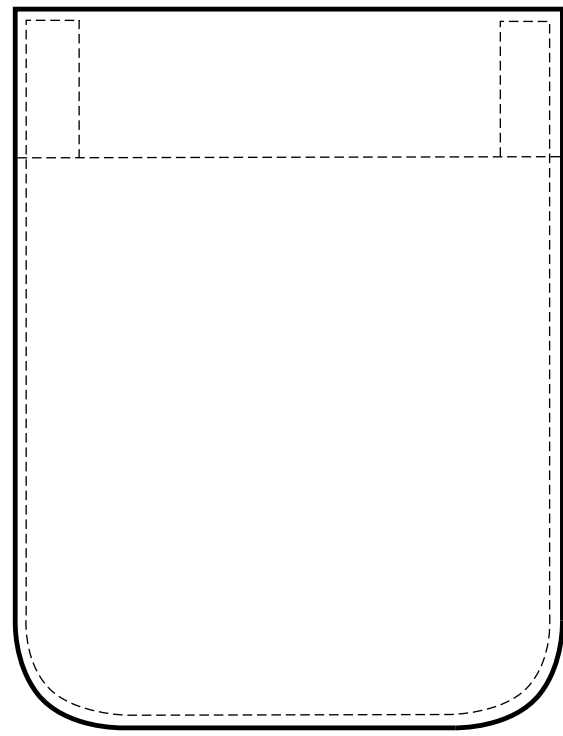


Full Panhandle

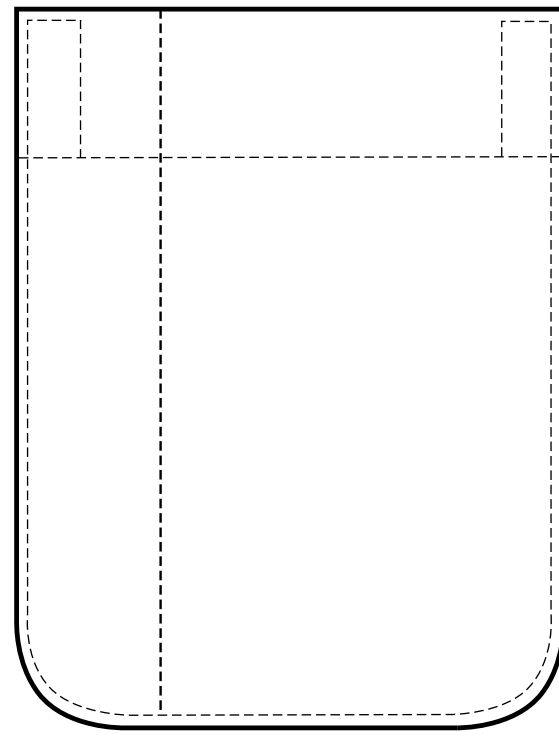


Half Panhandle

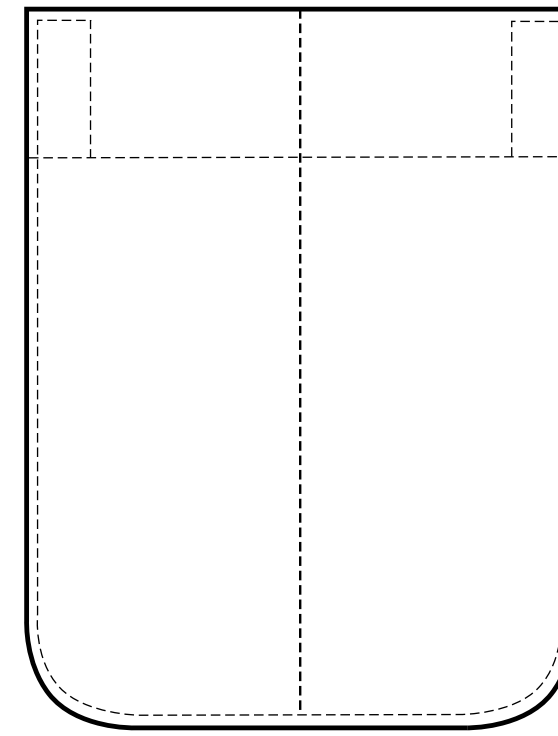
Pocket Options



Standard

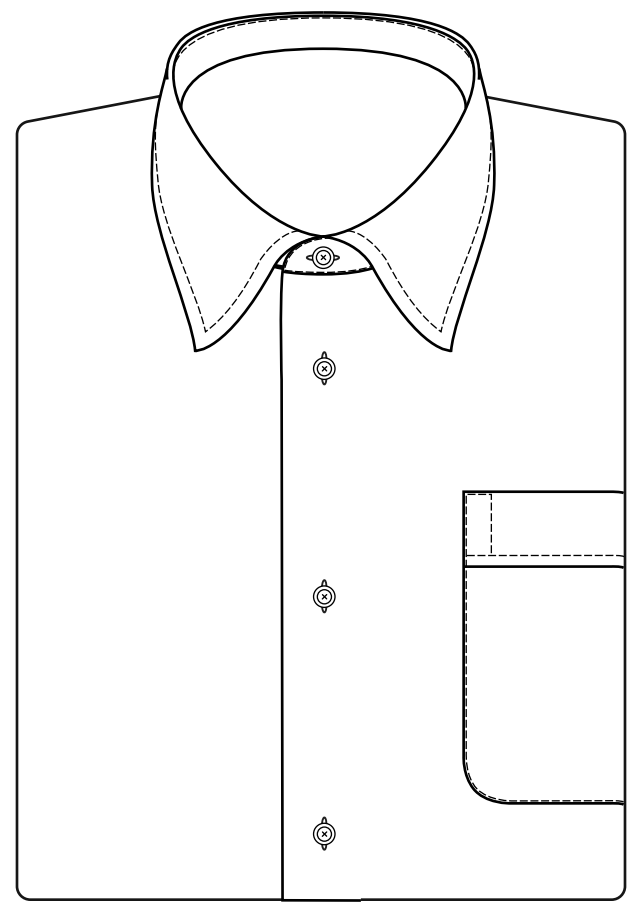


Pen/Pencil

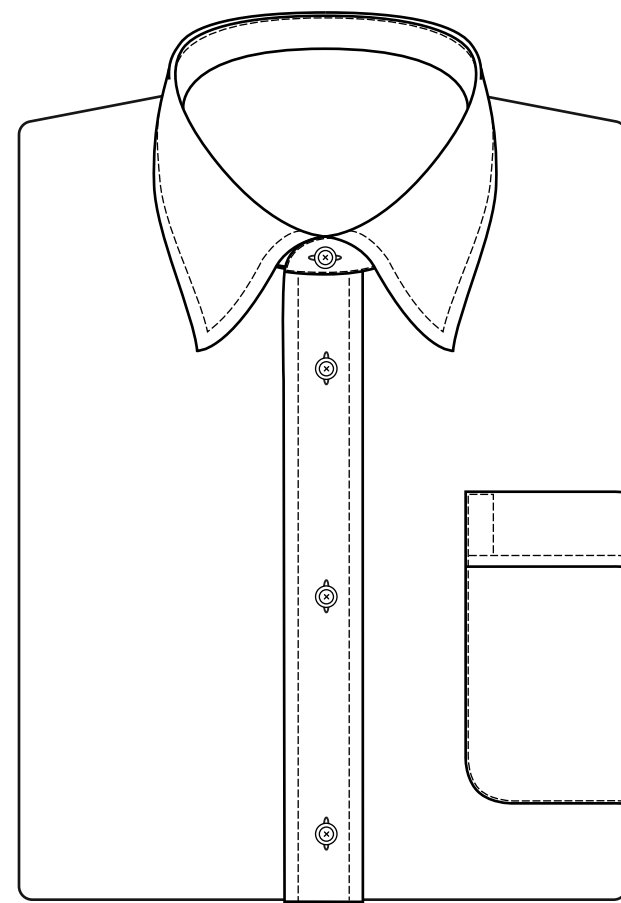


Eyeglasses

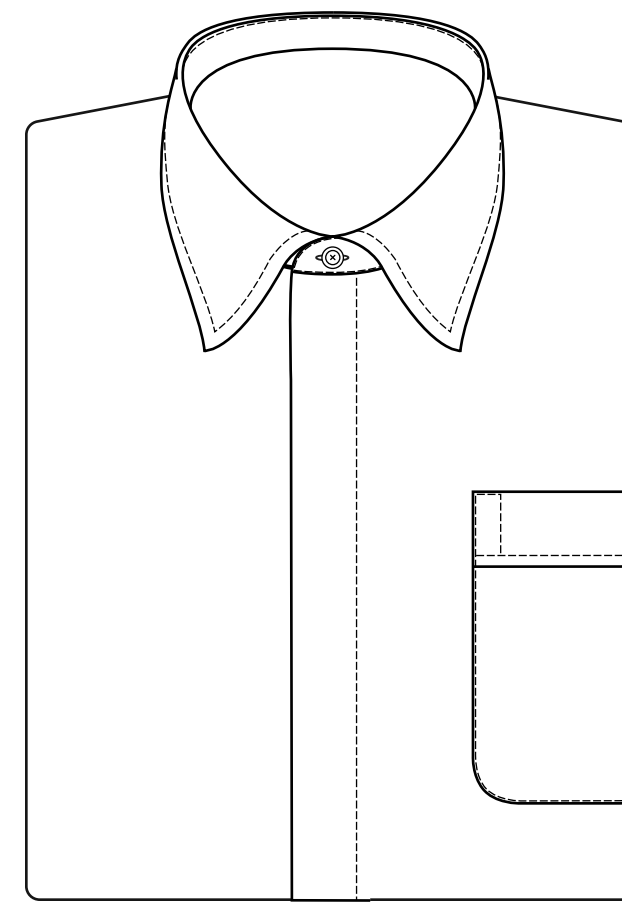
Front Styles



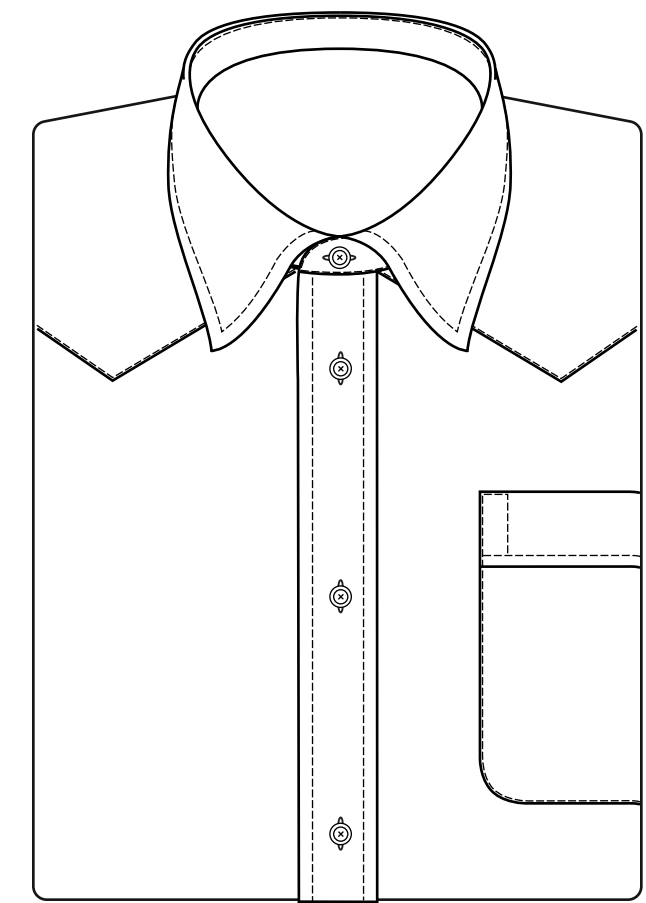
Plain



Placket

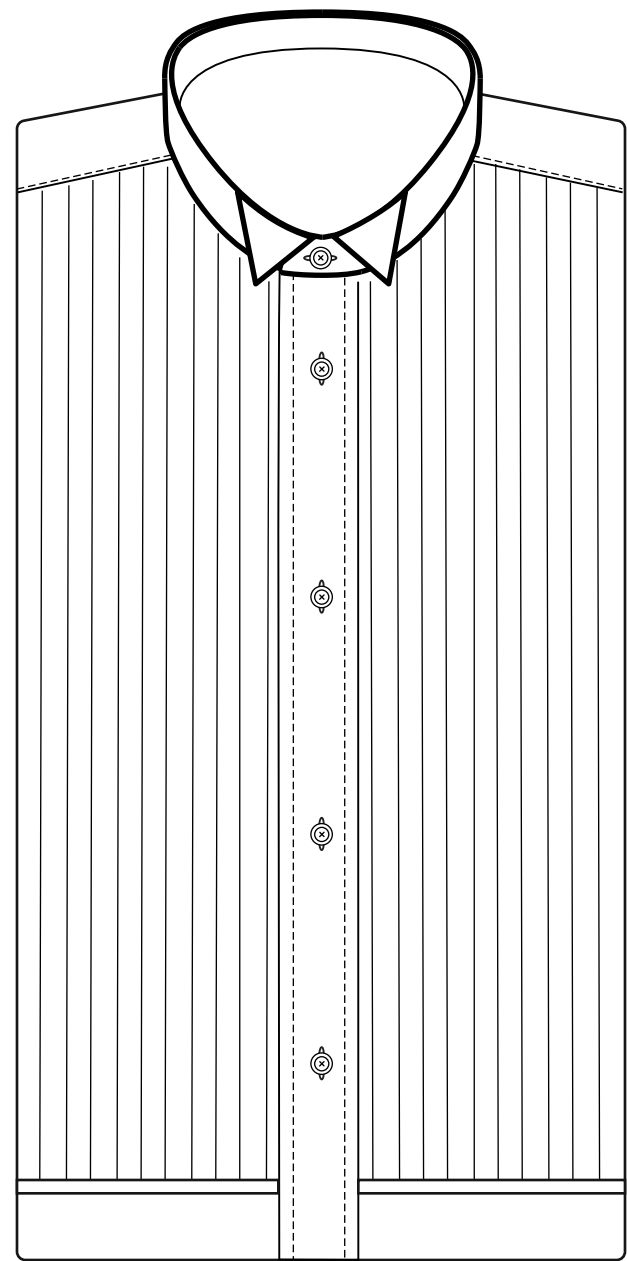


Fly Front Covered

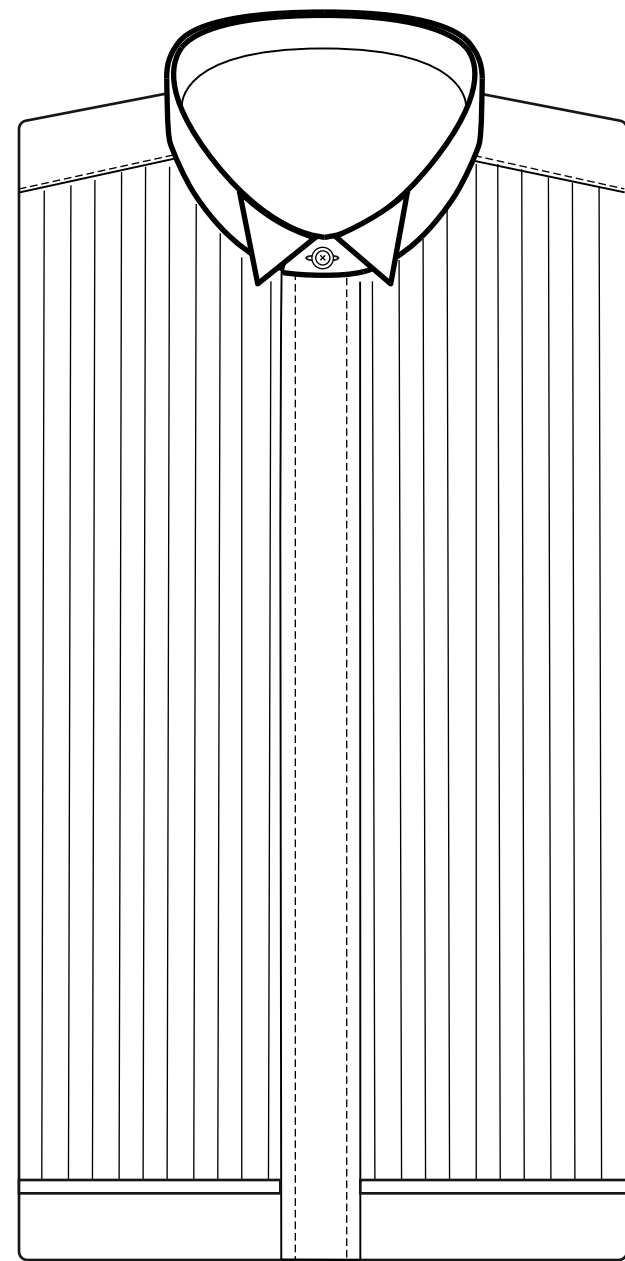


Western

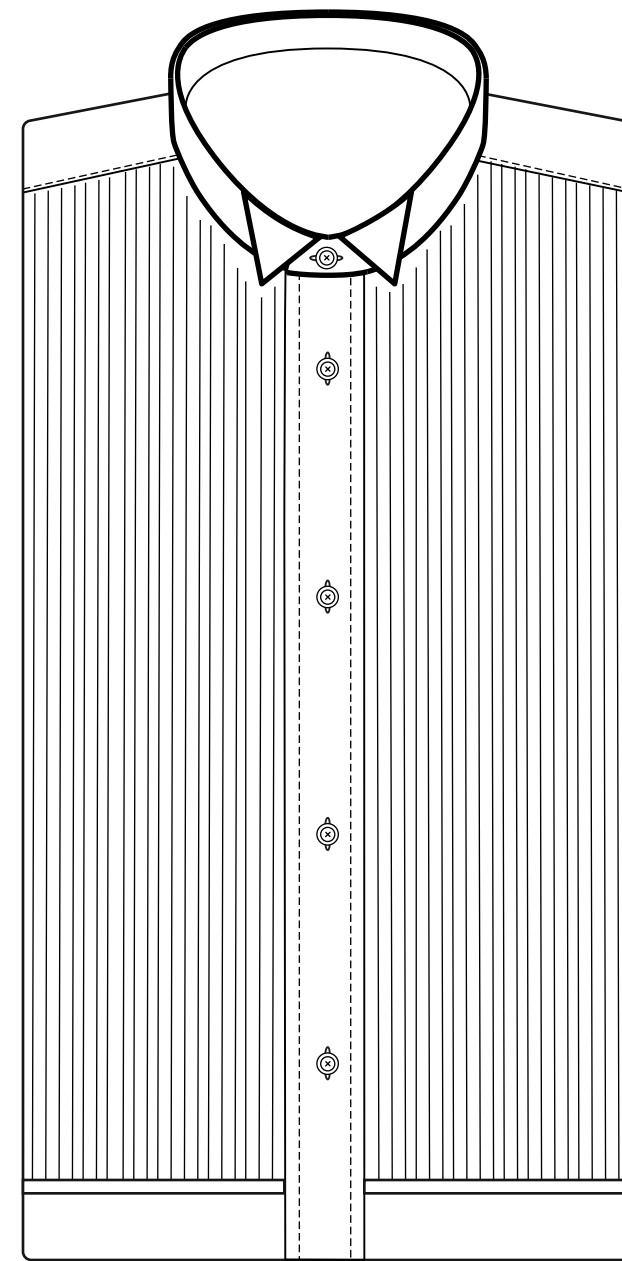
Front Styles - Formal



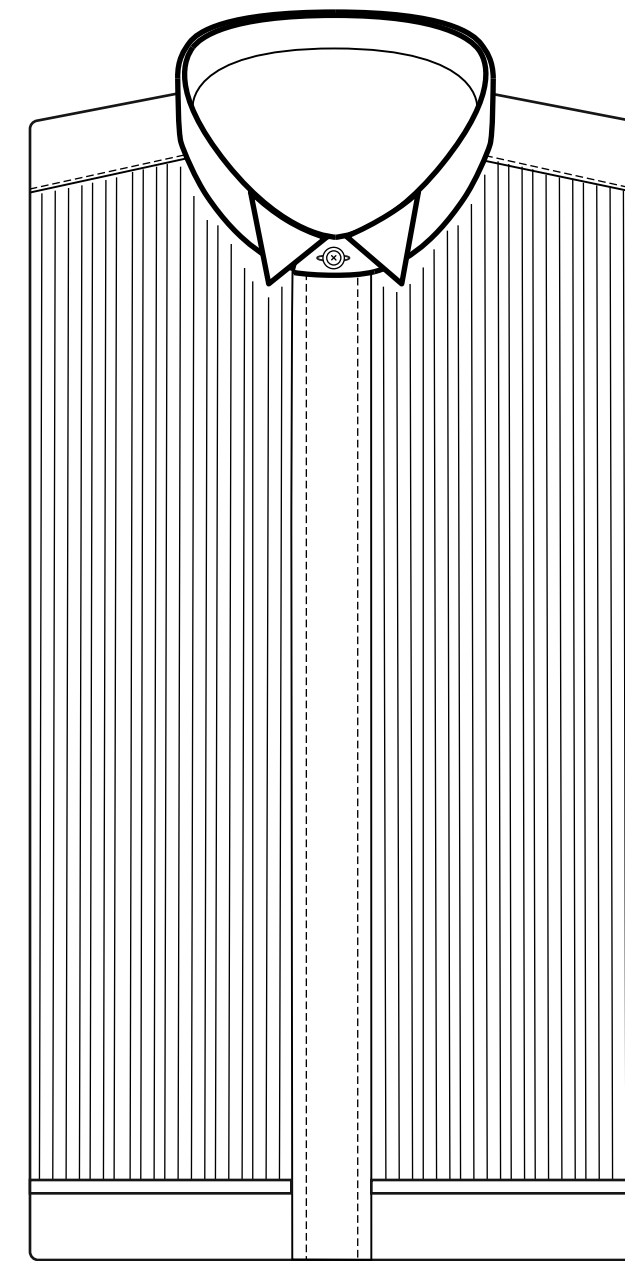
1/2" Pleat



1/2" Pleat Hidden Button

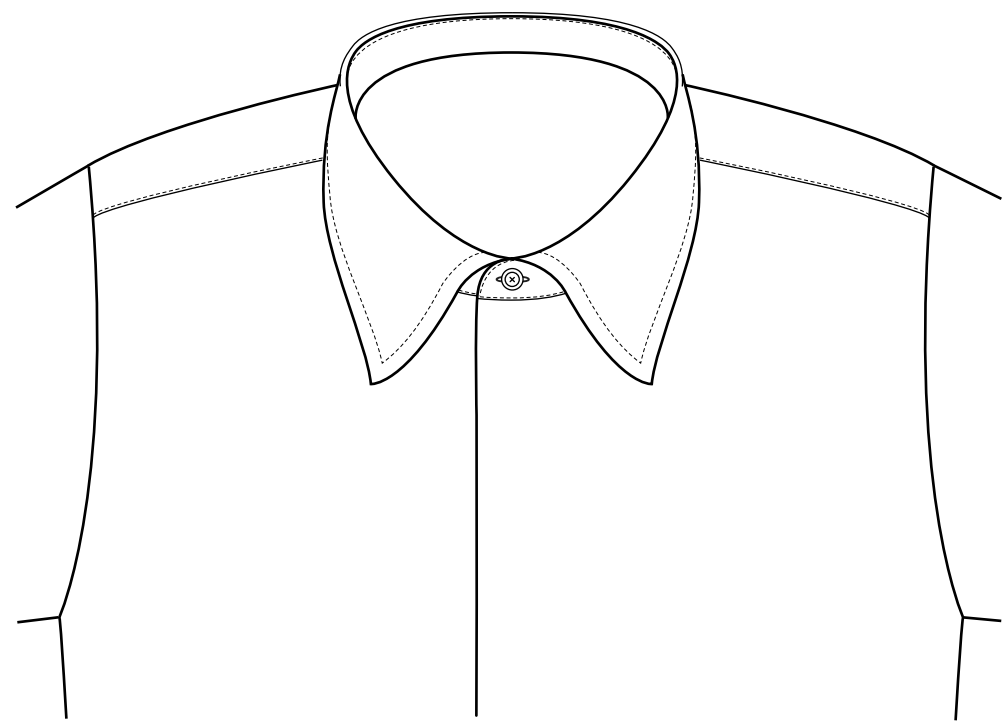


1/4" Pleat

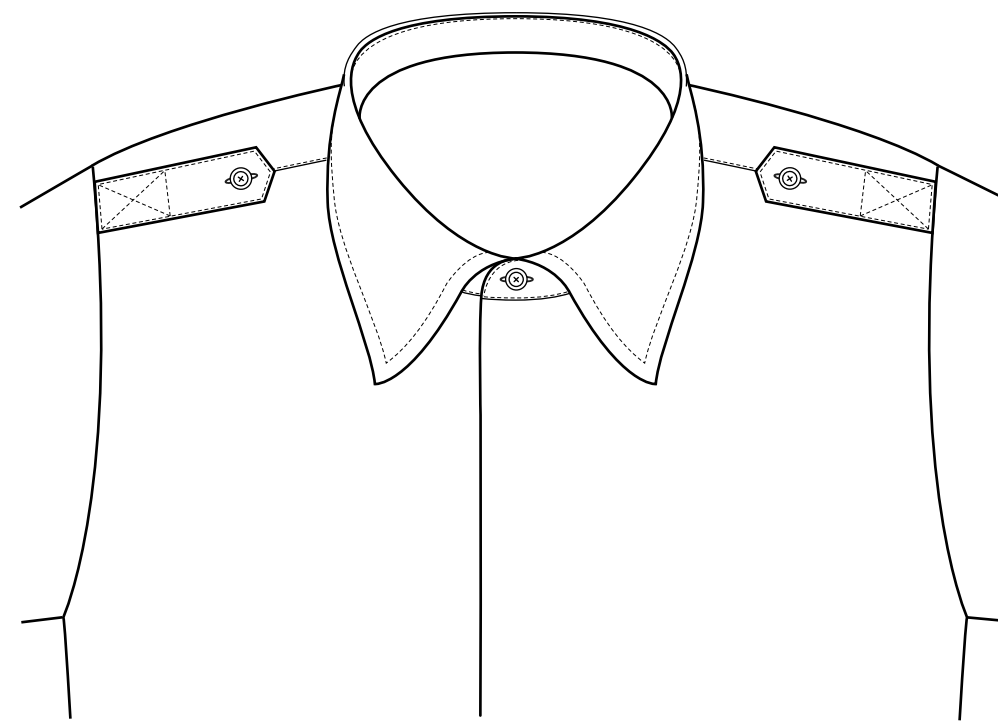


1/4" Pleat Hidden Button

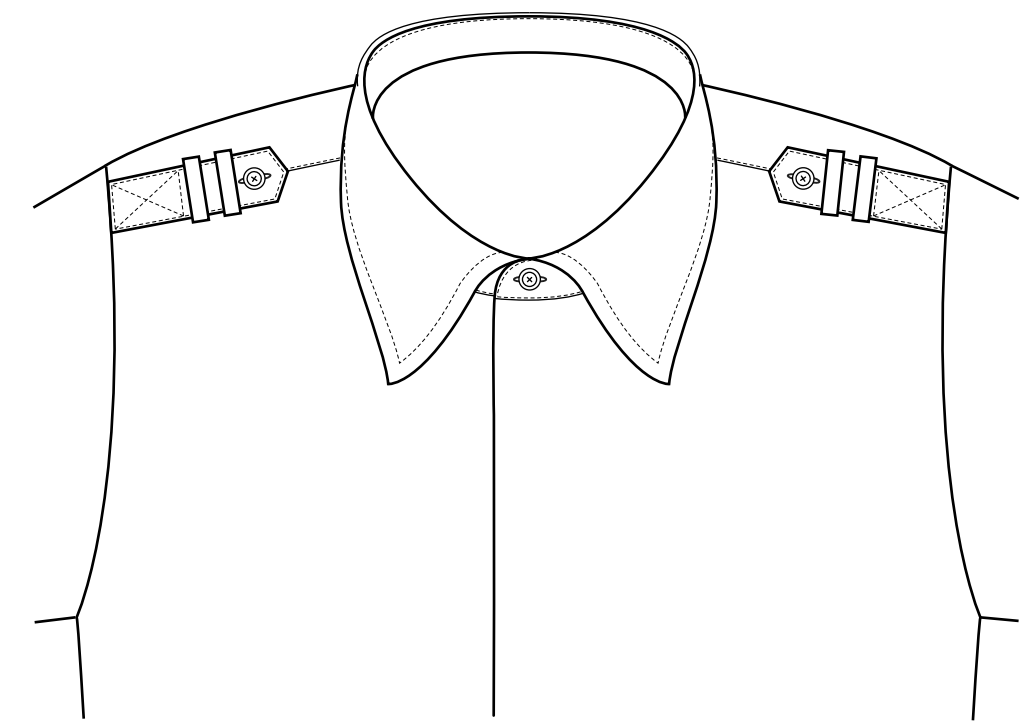
Epaulettes



None

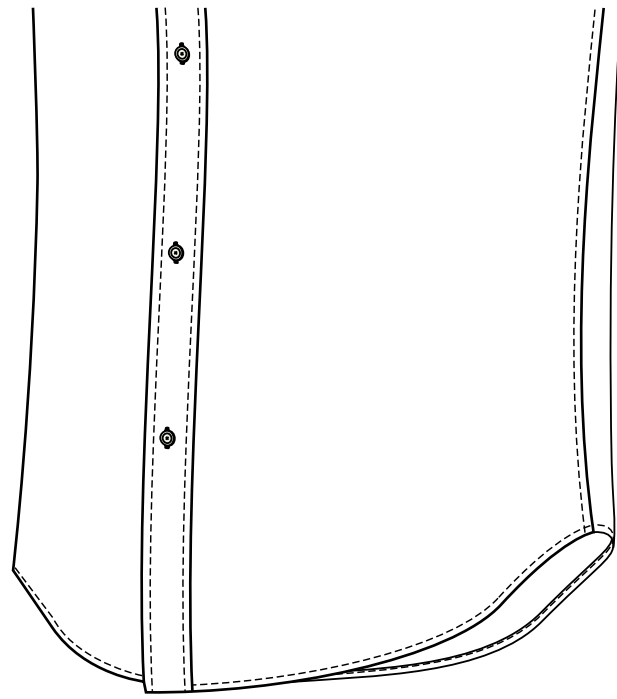


Epaulettes

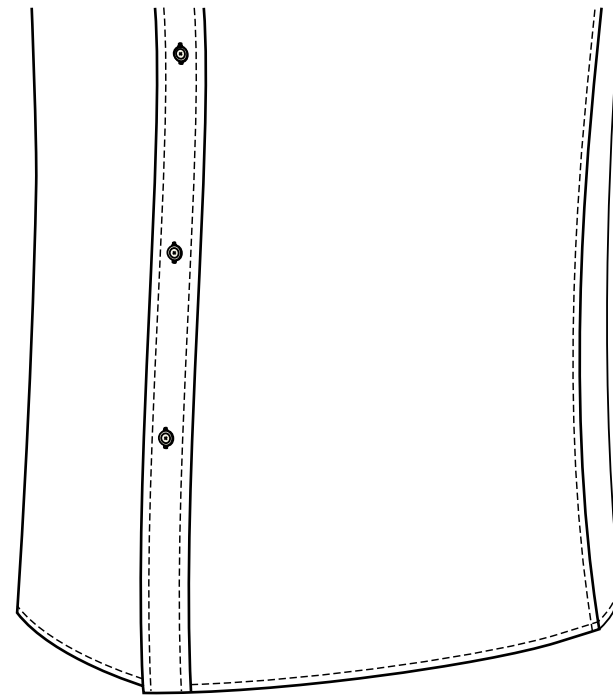


Epaulettes with Loops

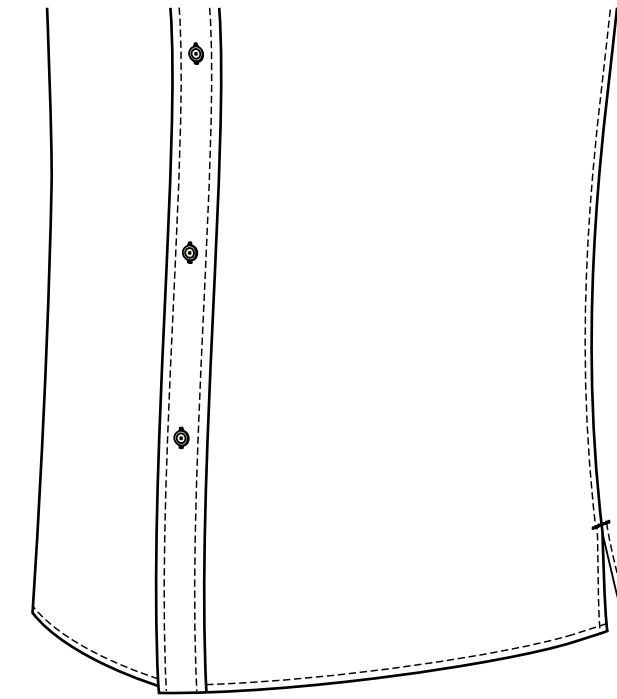
Tail Styles



Rounded

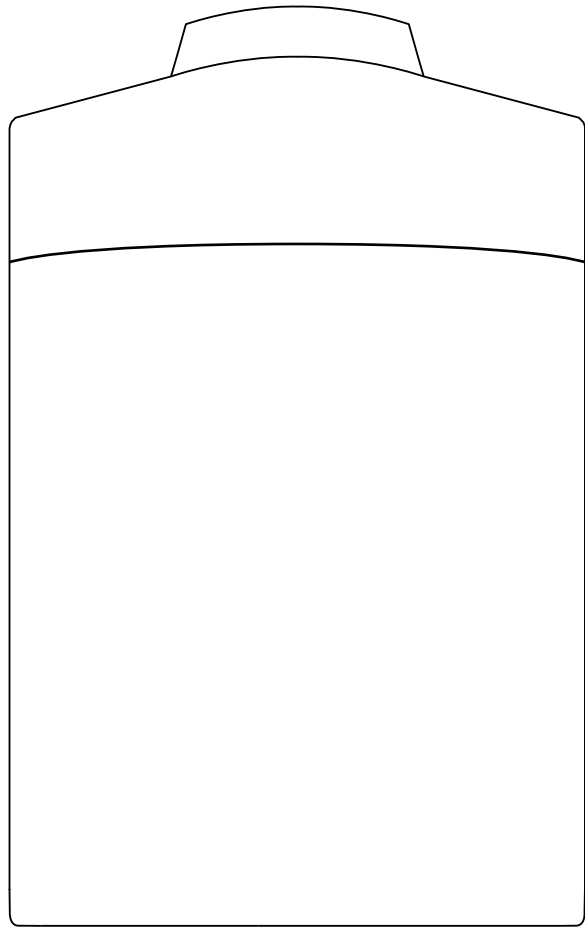


Square

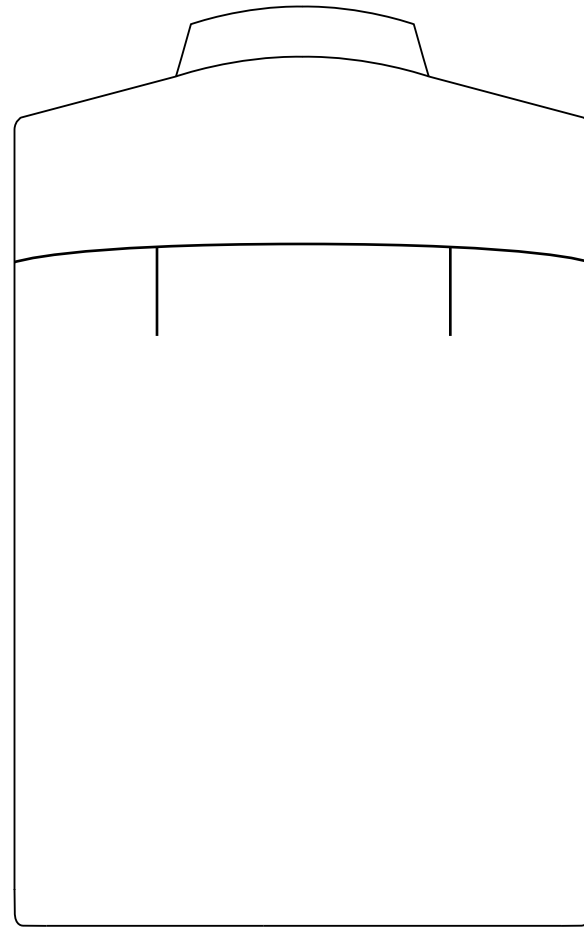


Square with Vents

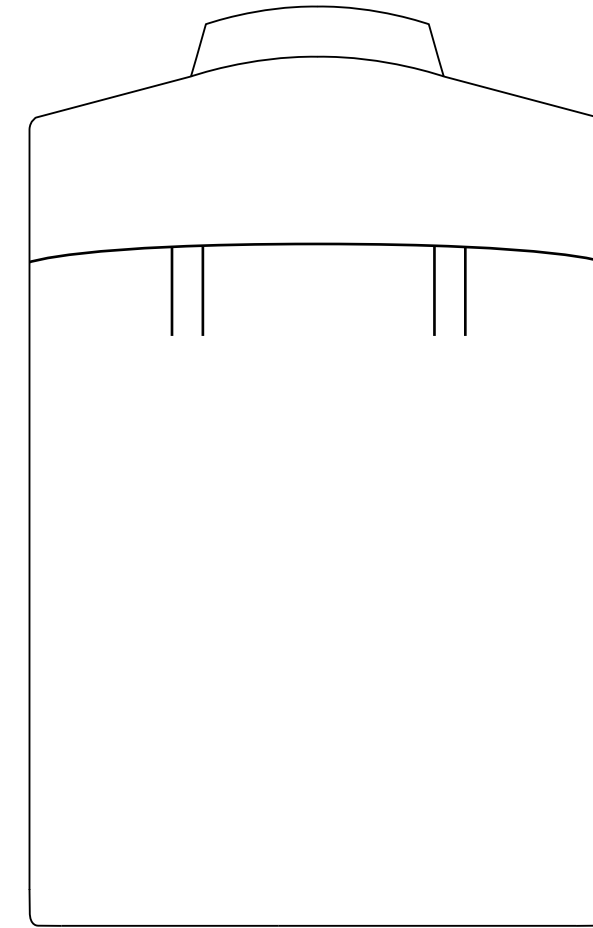
Back Styles



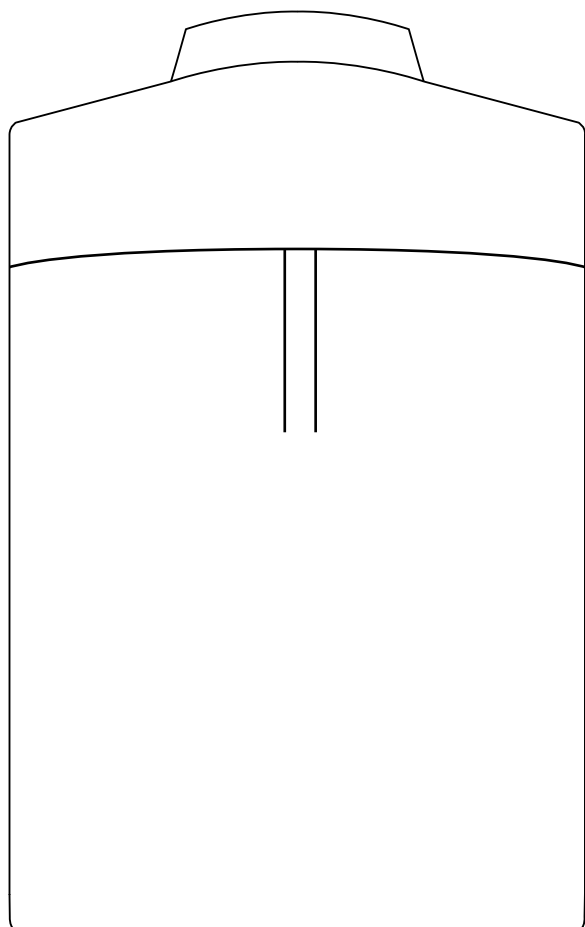
Plain



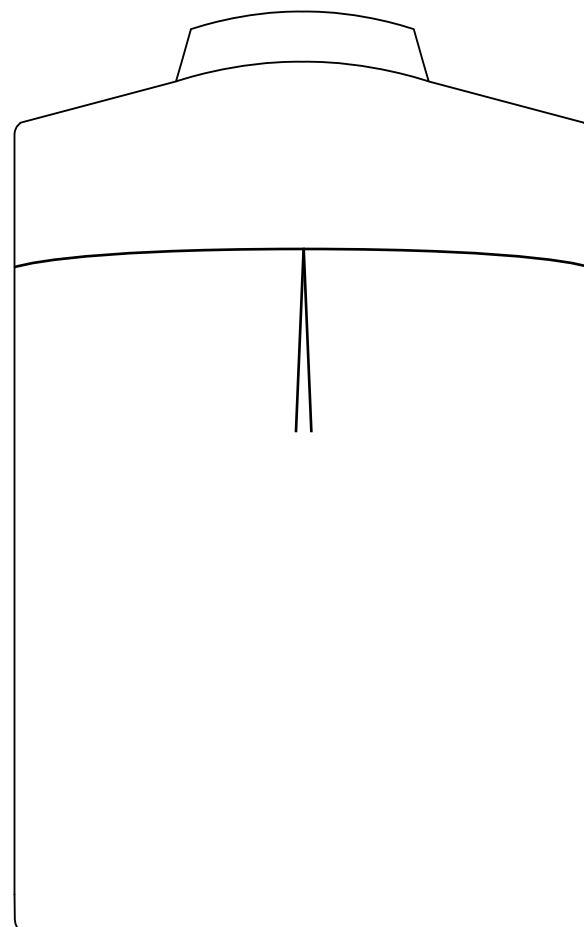
Shoulder Pleats



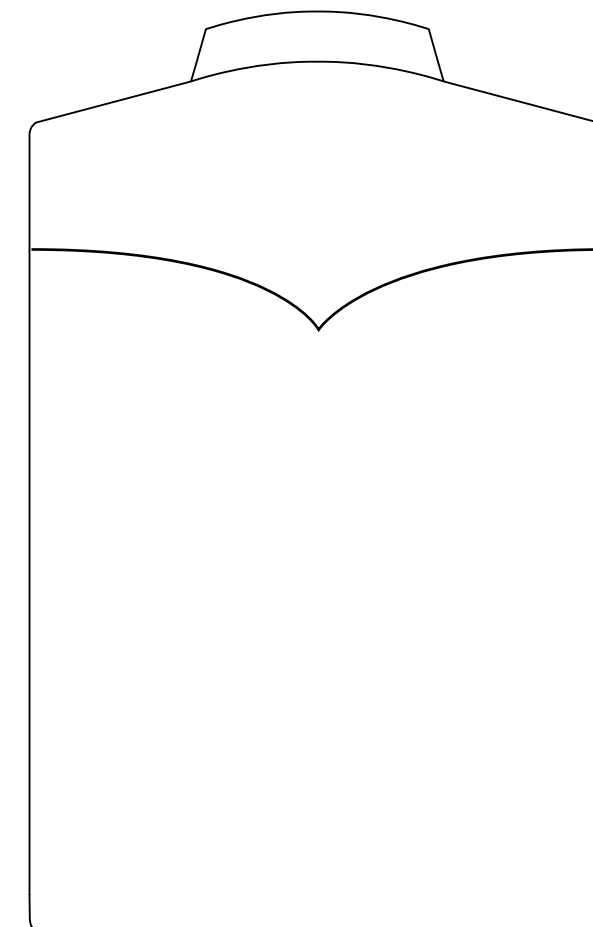
Double Shoulder Pleats



Center Box Pleat

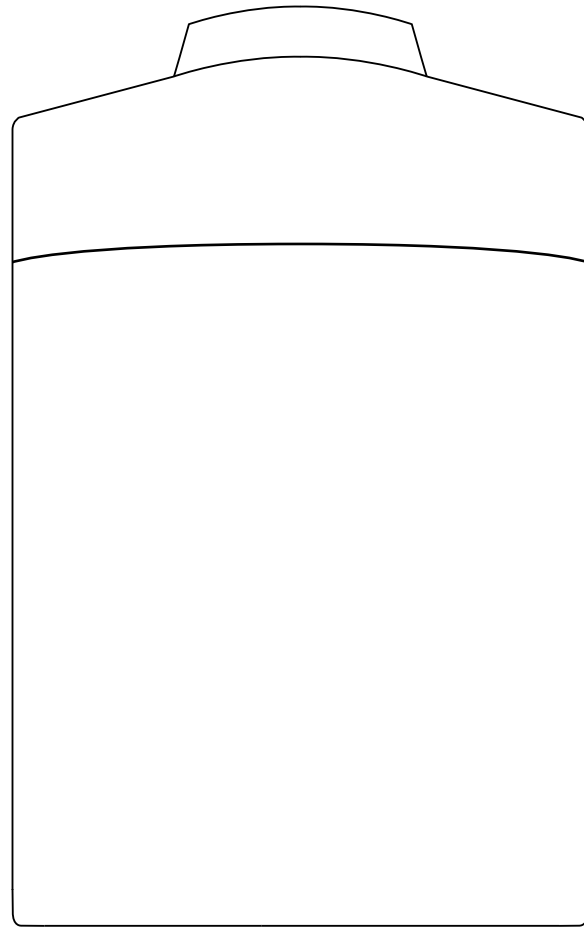


Inverted Center Box Pleat

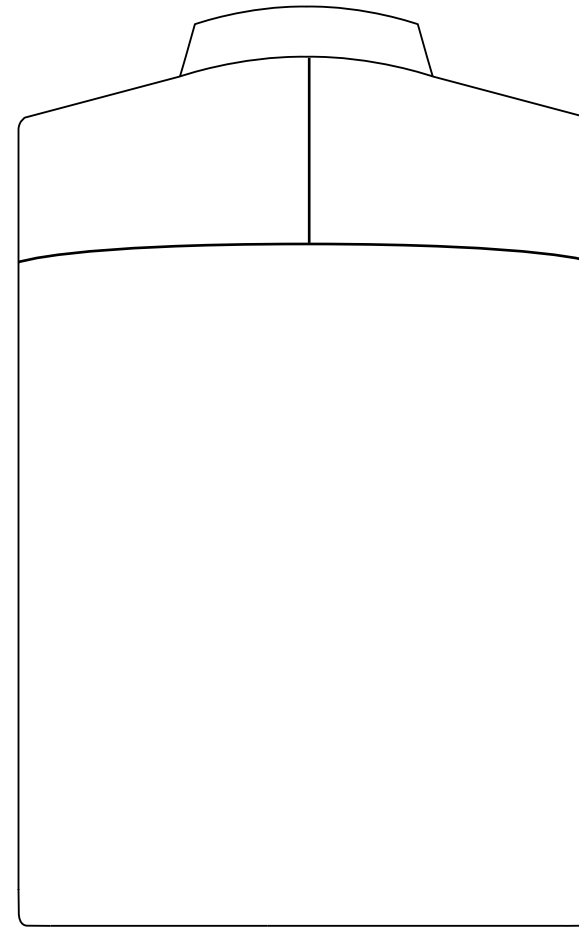


Western

Yoke Styles

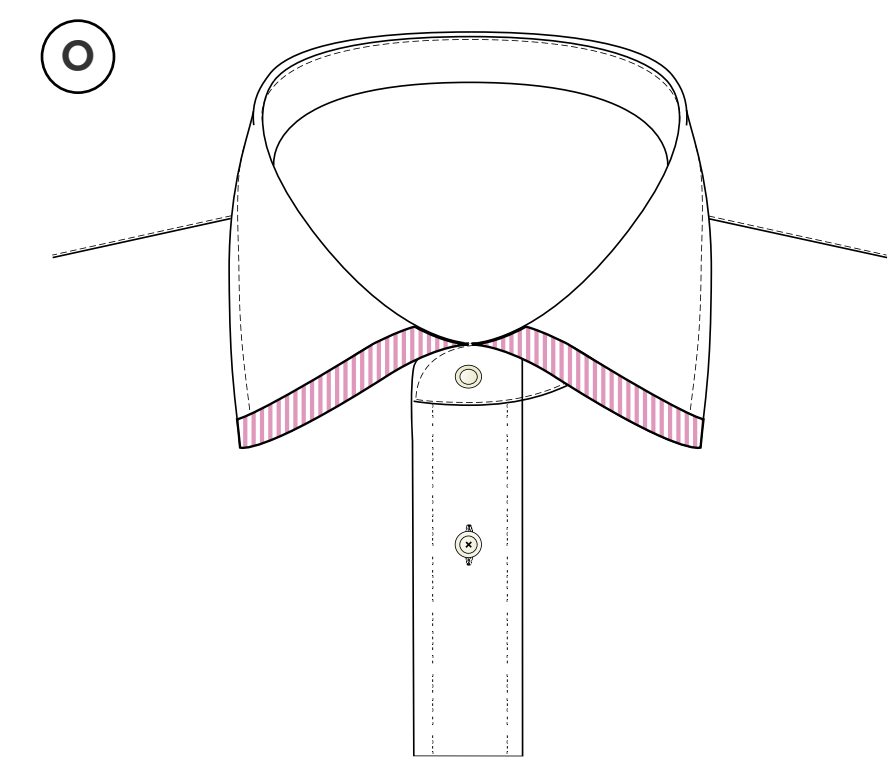
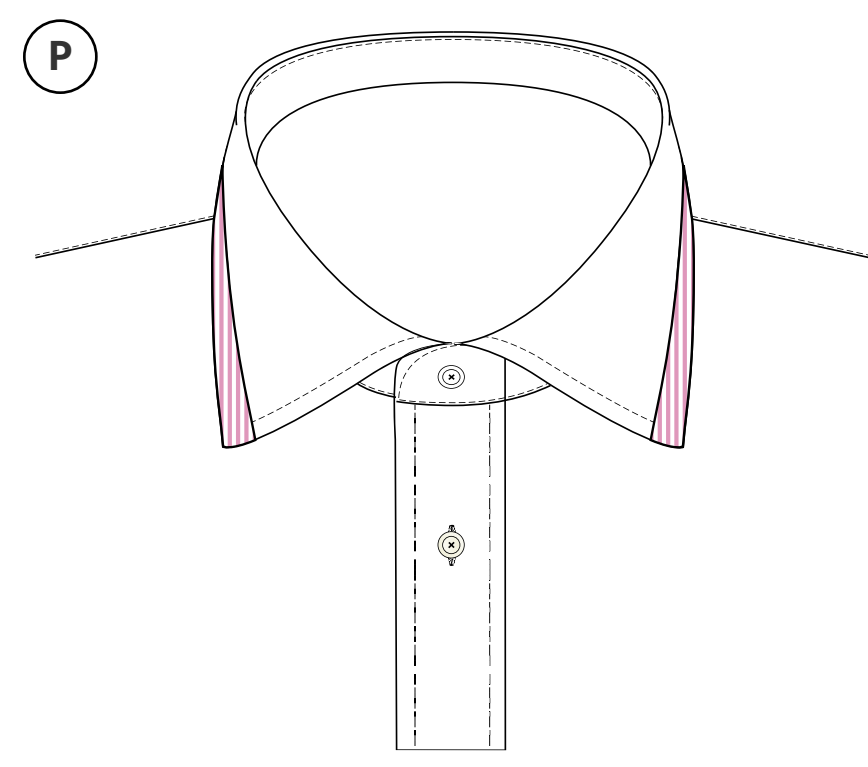
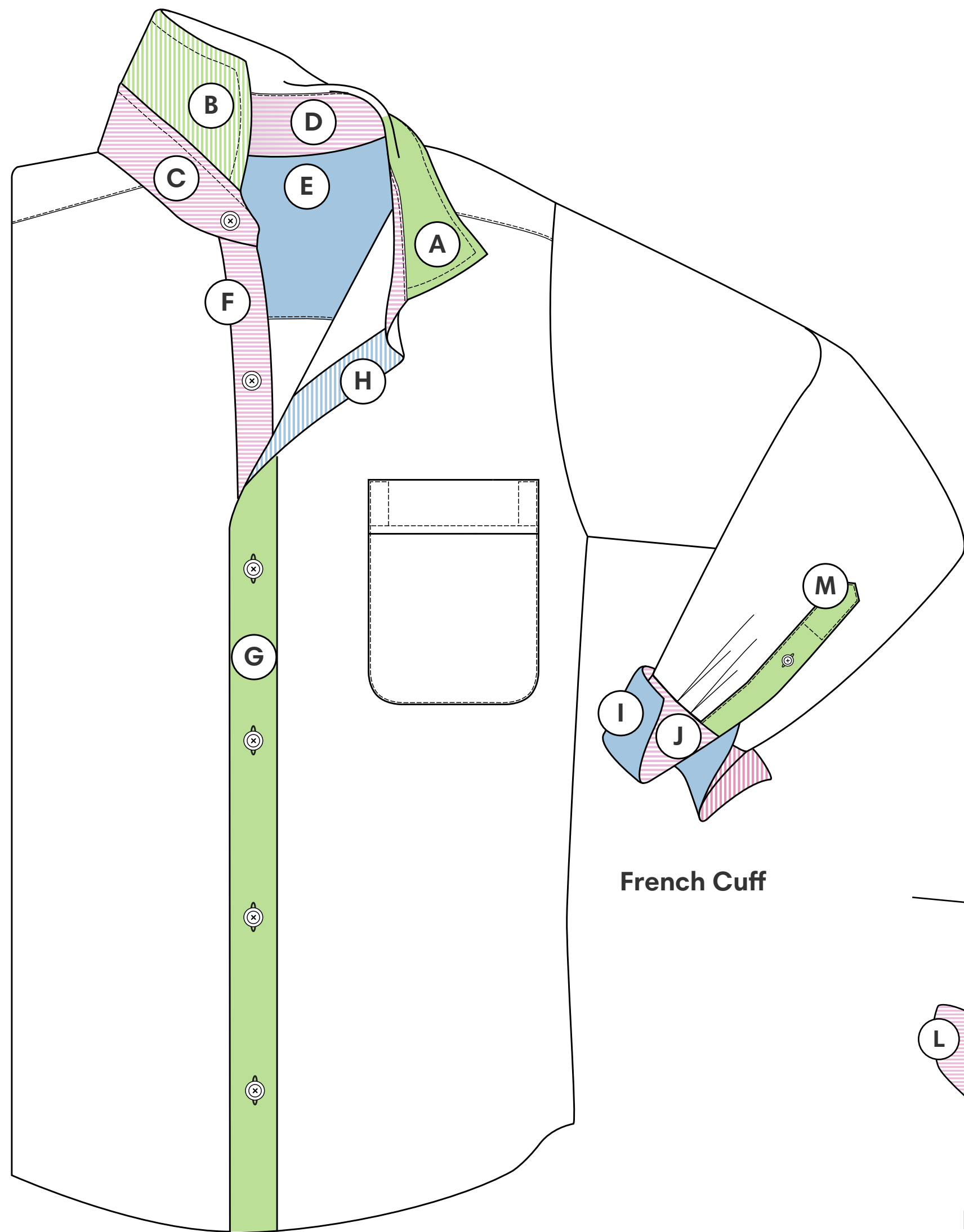


Plain



Split Yoke

Trim Positions



COLLAR

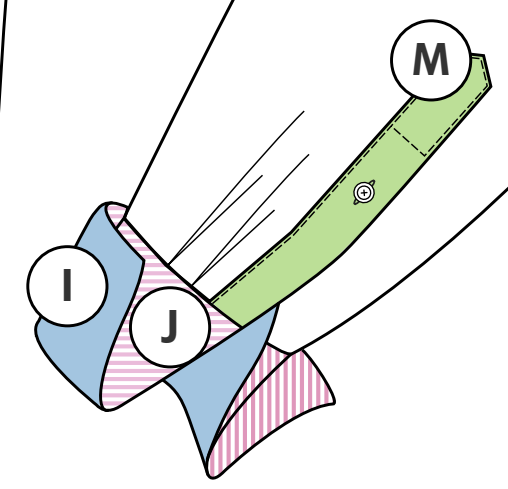
- A - Top of Collar
- B - Under Collar
- C - Outside Neckband
- D - Inside Neckband
- E - Inside Yoke
- O - Accent Edge Collar Points
- P - Accent Edge Collar Leaf

FRONT PLACKET

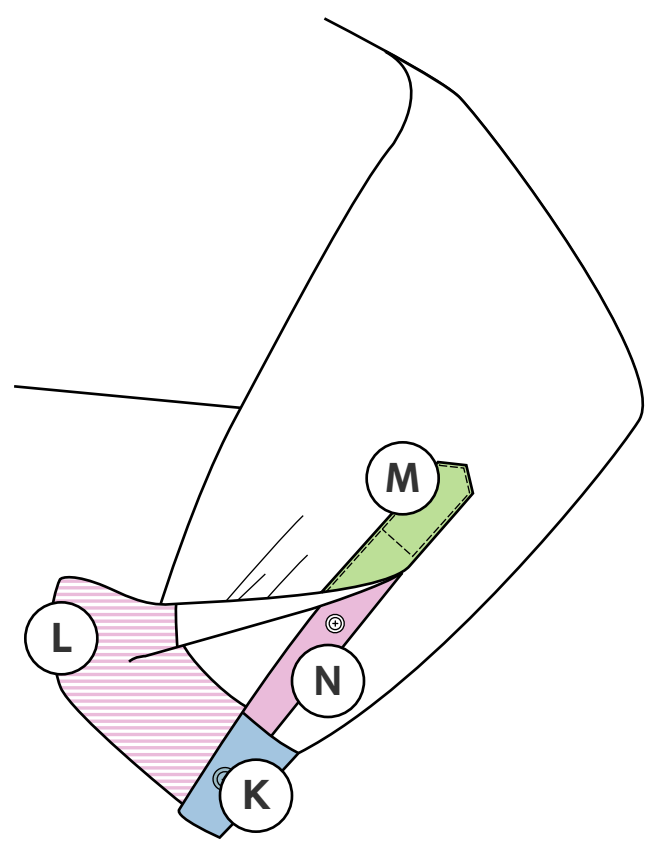
- F - Outside Back Placket
- G - Outside Front Placket
- H - Inside Front Placket

CUFF

- I - Outside French Cuff
- J - Inside French Cuff
- K - Outside Barrel Cuff
- L - Inside Barrel Cuff
- M - Outside Large Sleeve Placket
- N - Outside Small Sleeve Placket

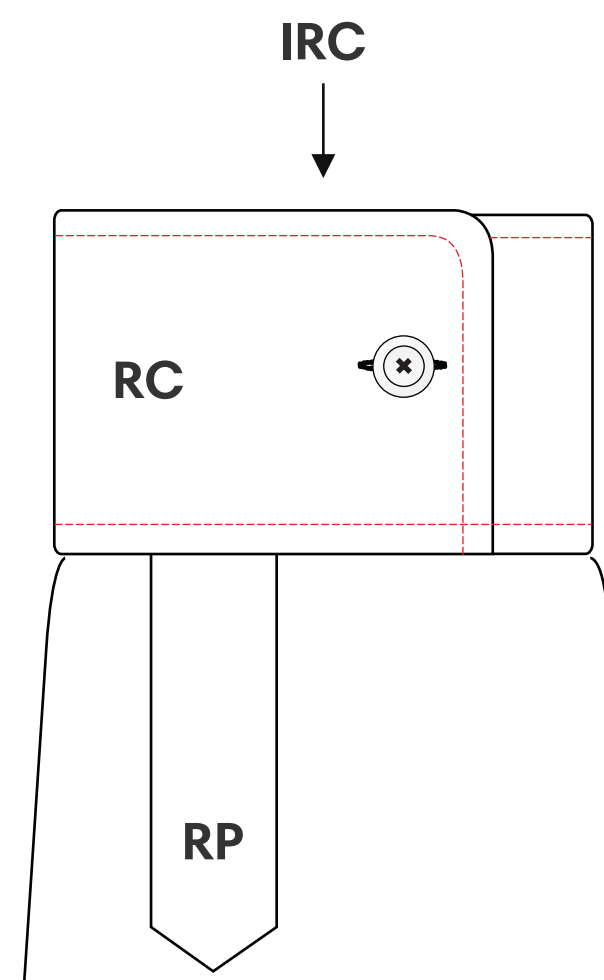
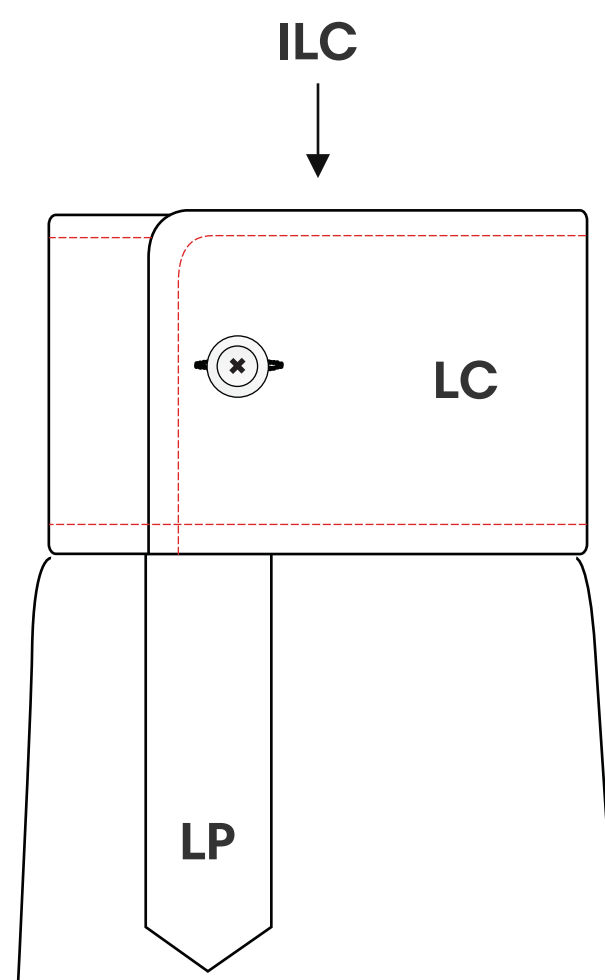
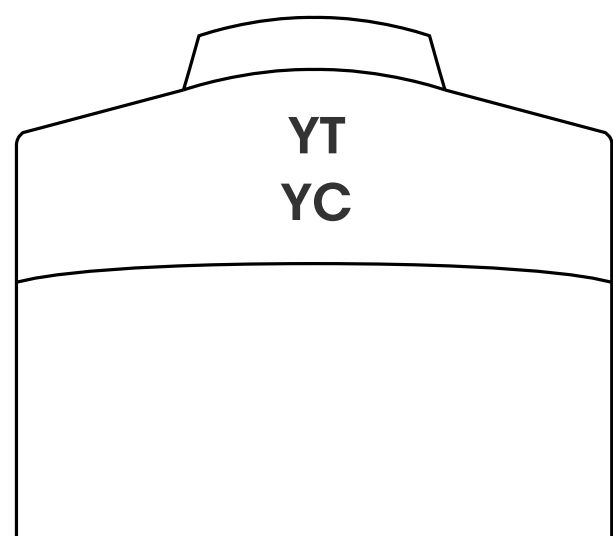
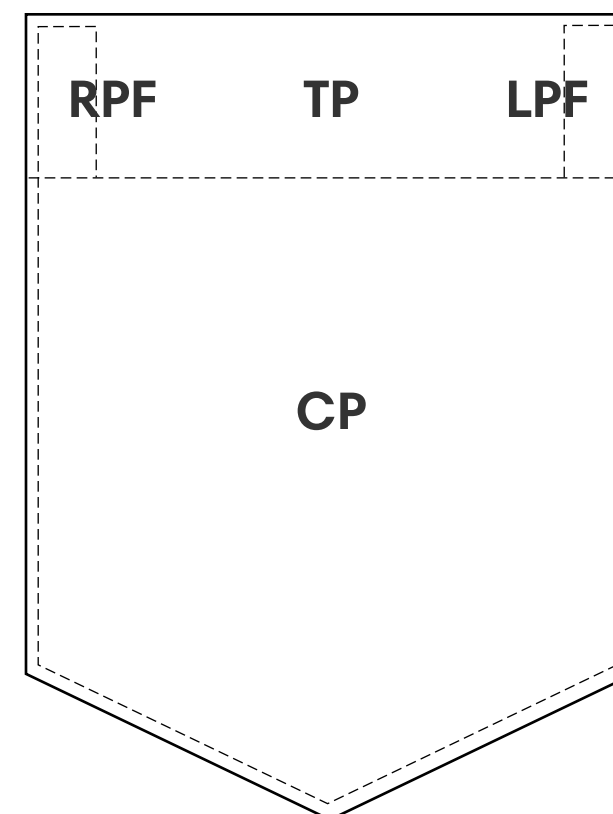
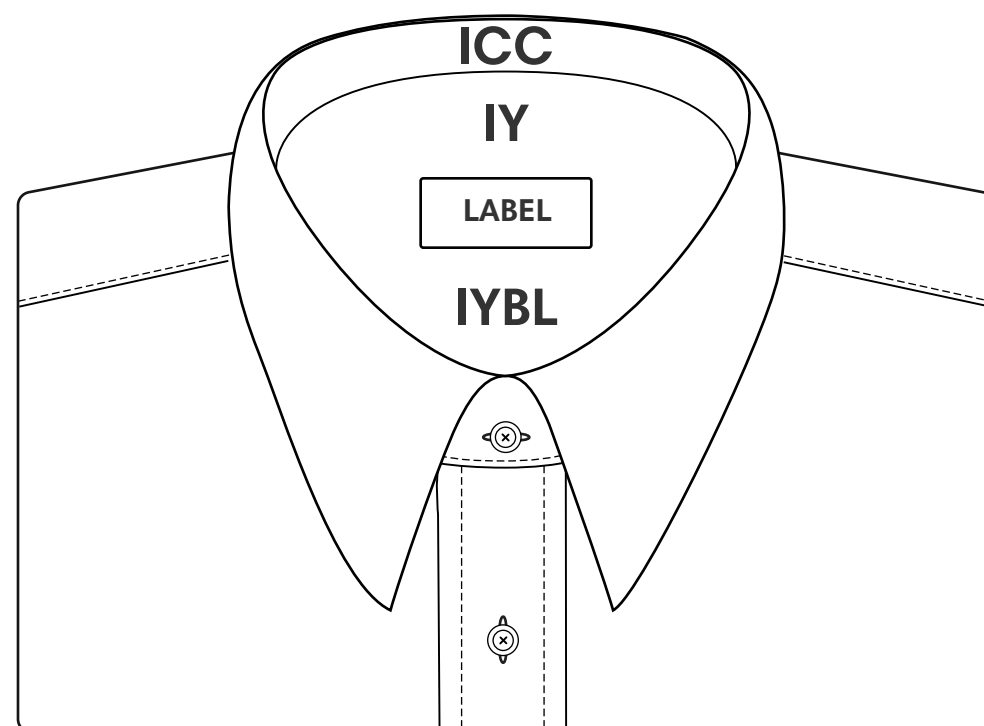
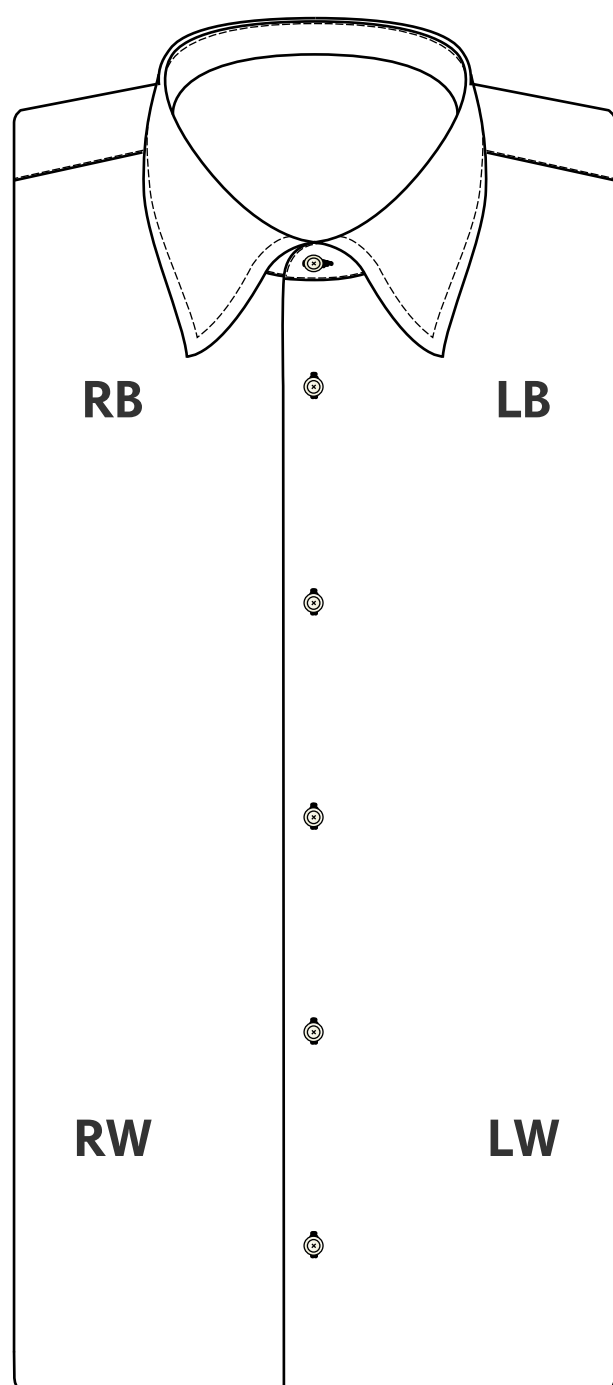


French Cuff



Barrel Cuff

Monogram Positions



RB - Right Breast
LB - Left Breast
RW - Right Waist
LW - Left Waist




















YT - Yoke Top
YC - Yoke Center

ICC - Inside Center Collar
IY - Inside Yoke
IYBL - Inside Yoke Below Label

RPF - Right Pocket Front
TP - Top Pocket
LPF - Left Pocket Front
CP - Center Pocket

RC - Right Cuff
RP - Right Placket
IRC - Inside Right Cuff
LC - Left Cuff
LP - Left Placket
ILC - Inside Left Cuff

Monogram Templates & Size

 Diamond *	 Circle 1 Letter	 Dotted Circle Letter
 Diamond 1 Letter	 Circle 2 Letters	 Crossroad Initials
 Diamond 2 Letter	 Circle 3 Letters *	 Major League Initials *
 Diamond 3 Letter V2 *	 Stack 2 Letters	
 Diamond 3 Letter V3 *	 Varsity 1 Letter	
 Diamond 3 Letter V4 *	 Script 1 Letter	
 Copper Plate 3 Letters *	 Script 2 Letters	
 Diagonal 2 Letters	 Script 3 Letters *	



* **NOTE:** Letters will be sewn in the order you entered them.

Monogram Fonts

Caligraphy

ABCDEFGHIJKLMNOPQRSTUVWXYZ
 abcdefghijklmnopqrstuvwxyz
 1234567890?!@*~;,%()+

Times Roman

ABCDEFGHIJKLMNOPQRSTUVWXYZ
 abcdefghijklmnopqrstuvwxyz
 1234567890?!&.,#@*~;,%()+

Block

ABCDEFGHIJKLMNOPQRSTUVWXYZ
 abcdefghijklmnopqrstuvwxyz
 1234567890?!&.,#@*~;,%()+

Script

abcdefghijklmnopqrstuvwxyz
 abcdefghijklmnopqrstuvwxyz
 1234567890?!@*~;,%()+

Copper Plate

ABCDEFGHIJKLMNOPQRSTUVWXYZ
 1234567890?!&.,#@*~;,%()+

Rockwell

ABCDEFGHIJKLMNOPQRSTUVWXYZ
 abcdefghijklmnopqrstuvwxyz
 1234567890?!&.,#@*~;,%()+

Bradley

ABCDEFGHIJKLMNOPQRSTUVWXYZ
 abcdefghijklmnopqrstuvwxyz
 1234567890?!&.,#@*~;,%()+

Jazz

ABCDEFGHIJKLMNOPQRSTUVWXYZ
 ABCDEFGHIJKLMNOPQRSTUVWXYZ
 1234567890?!&.,#@*~;,%()+

Dom Casual

ABCDEFGHIJKLMNOPQRSTUVWXYZ
 abcdefghijklmnopqrstuvwxyz
 1234567890?!&.,#@*~;,%()+

Outline

ABCDEFGHIJKLMNOPQRSTUVWXYZ
 1234567890?!&.,#@*~;,%()+