

*Liberty Shores Outdoor*

---

By Fane Wood Products, Inc.

# Liberty Shores Outdoor

By: Fane Wood Products inc.

# *Liberty Shores Outdoor*

---

By Fane Wood Products, Inc.

## **Tier One: Pure Inspiration – Pure Collection**

The **Pure** collection represents the foundational, clean, and timeless entry point. It features a minimalist **Slab** door style crafted from **Liberty Shores Polymer** material with a clean finish

The primary color is **OG White** — a crisp, versatile neutral perfect for modern, bright, and understated spaces.



# Liberty Shores Outdoor

By Fane Wood Products, Inc.

## Tier Two: Resort Inspiration – Breeze Collection

The **Breeze** collection draws inspiration from relaxed, coastal resort vibes, featuring a variety of warm wood grains and serene architectural color tones.

All **Slab** styles on **Liberty Shores Engineered Composite** or **Architectural Coatings on Liberty Shores Polymer Slab doors**.

•**Engineered Composite:** Warm Walnut Breeze, Golden Alteria Breeze (Studio Teak), Whispering Ashen Breeze (Sterling Ash), Warm Clean Breeze (French Pear), Soft Anjou Breeze (Kensington Maple), French Orchard Breeze (New Age Oak), Tuscan Glow Breeze (Nepal Teak). These offer rich, realistic wood-look textures.

**Architectural Coatings:** (based on Sherwin-Williams colors): Briney Breeze (SW7008 Alabaster – soft warm white), Repose Breeze (SW9130 Evergreen Fog ), Comfy Breeze (SW7022 Alpaca), Salty Air Breeze (SW6204 Sea Salt – soothing coastal green-gray), Gentle Breeze (Sw7048 Urbane Bronze ), Stormy Breeze (SW7602 Indio Batik). Ideal for breezy, calming, or bold coastal looks.



# Liberty Shores Outdoor

By Fane Wood Products, Inc.

## Tier Three: Boutique Inspiration – Beach Collection

The **Beach** collection evokes upscale boutique coastal elegance with durable, textured finishes.

Doors are available in **Slab Shaker** or **Routed Bead** styles on **Liberty Shores Solid Core** or **Liberty Shores Polymer** — offering a premium, realistic wood-like texture and durability.

- Slab options:** Available on Liberty Shores Solid Core Lumen Beach (Olyphant Oak), Aurora Beach (Northeastern Walnut), Sable Beach (Susquehanna Grey), Heritage Beach (Tunkhannock Teak).

- Routed Bead options:** Timber Beach (Olyphant Oak), Golden Beach (Northeastern Walnut), Driftwood Beach (Susquehanna Grey), Golden Beach (Tunkhannock Teak).

**Shaker (SH) Architectural Coating variants** are available on **Liberty Shores Polymer: Architectural Coatings:** (based on Sherwin-Williams colors): Briney Breeze (SW7008 Alabaster – soft warm white), Repose Breeze (SW9130 Evergreen Fog), Comfy Breeze (SW7022 Alpaca), Salty Air Breeze (SW6204 Sea Salt – soothing coastal green-gray), Gentle Breeze (Sw7048 Urbane Bronze), Stormy Breeze (SW7602 Indio Batik). Ideal for breezy, calming, or bold coastal looks.



# *Liberty Shores Outdoor*

---

By Fane Wood Products, Inc.

## **Tier Four: Custom – Designer Collection – Studio Collection**

The **Studio** collection is the premium, fully custom tier for designer-level projects.

Doors are **Slab** or **Routed Bead** styles on **Liberty Shores Solid Core II**:

- Slab: Solis Studio (Teak), Essence Studio (White Wash), Luminere Studio (Weather Wood), Whisper Studio (Dark Ash).
- Routed Bead: Surma Studio (Teak), Wondra Studio (White Wash), Driftwood Studio (Weather Wood), Dream Studio (Dark Ash).
- Additional Doors are expressed in a beaded or fluted styles for maximum design impact! Doors and drawer heads are crafted from Liberty shores Solid Core.

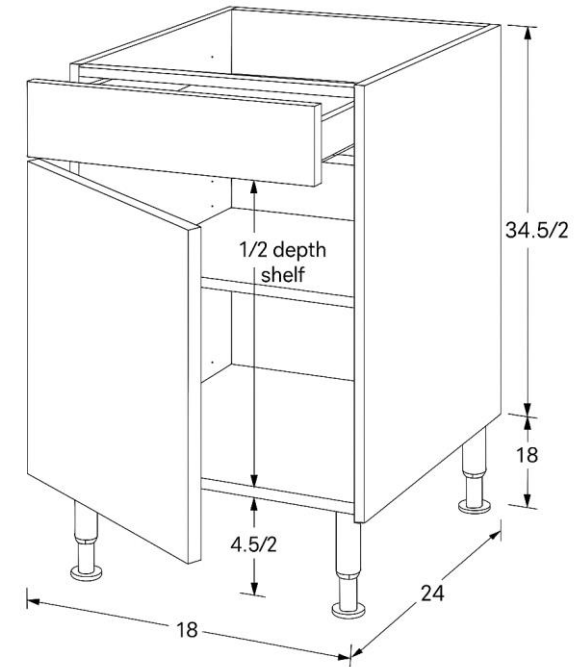


# Liberty Shores Outdoor

By Fane Wood Products, Inc.

## Construction:

- The cabinets are constructed using a **frameless method** with Liberty Shores Polymer Board for all carcasses, drawer boxes, and shelves.
- Standard dimensions are 34.5 inches in height and 24 inches in depth, with optional **depths of 27 inches and 30 inches available**.
- Drawer glides are side-mounted, full-extension, and feature a **soft-close mechanism**.
- The hinges are six-way adjustable and also include a **soft-close function**.
- All base cabinets are designed with adjustable floor leveling legs.



# Liberty Shores Outdoor

---

By Fane Wood Products, Inc.

**Leadtime:** 10-15 working days out of manufacturing

\* Note some “custom” configurations of material and or door routings may extend lead-time.

**Order Process:** The order process is accomplished by two easy methods: 1. Email the Quote/order sheet to customer service. 2. Order online via Website Dealer only area. ( preferred as the system will generate and order, conformation and collect payment immediately.

**Assembly options:** Most orders are built to order. There is an option to deliver a flat-pack. Supporting a stocking position for space and freight.

**Packaging:** All cabinets will be prepared for shipping in a custom box designed for the cabinet, enclosed. All orders will then be shrink-wrapped on a shipping pallet.

**Shipping:** Shipping is handled by a variety of sources, typically via common carrier. However, other methods are used depending on the size of the order and the location of delivery.

**Warranty:** Liberty Shores extends a 10-year warranty. See full warranty document for details.