

Caravan Mate Front Boot Lock Replacement

This lock replaces the Push Lock on a lot of caravans and is very sturdy option.

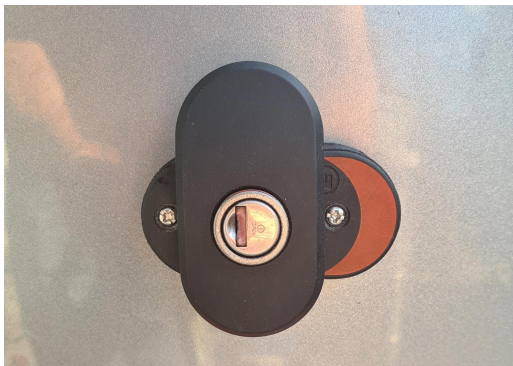
Replace this lock



This is the replacement lock in the Locked position



This is the replacement lock in the unlocked position



This the lock showing the spacer supplied



Open the boot and lock ensure the rods are in the locked position

Tape or clamp both rods as per image below, so they don't fall inside the boot

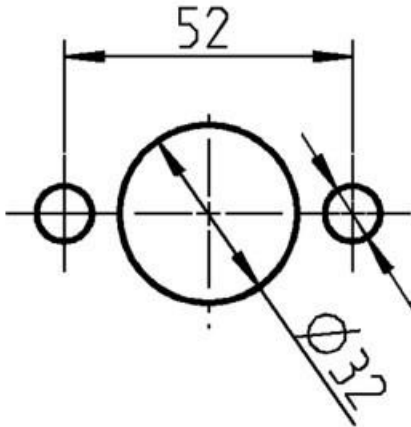


Undo the bolt on the cam and let cam move to the side

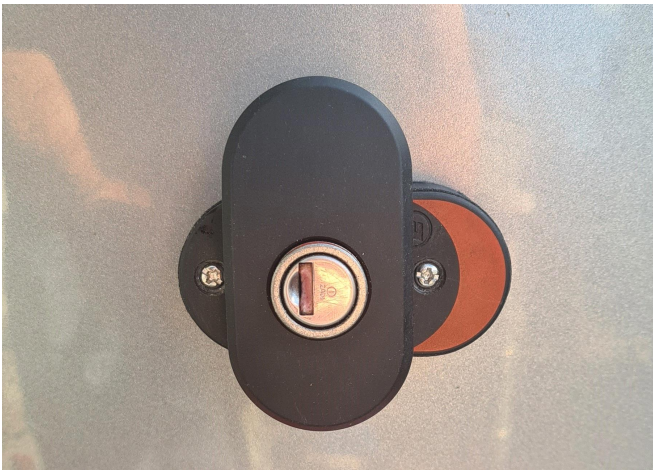


Remove the old lock

Open up the larger existing hole to the measurement in the image below (52mm) and drill 2 x 5mm holes for the screws to pass through



Put the 25mm spacer on the back of the lock, fit the rubber spacer on and insert the 2 x long screws through the lock



Turn the handle so the lock is in the lock position



Hold the screw retainer flat against the inside of the boot and tighten the screws



Fit the cam on the back of the lock and tighten the bolt firmly



Remove the clamp or tape on the rods

Turn handle vertical to unlock

Turn handle horizontal to lock, turn key and push the barrel in to lock