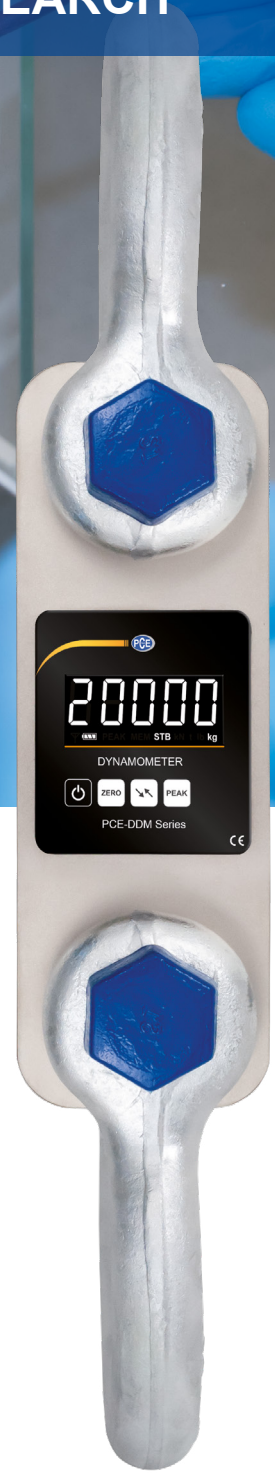




**WEIGHING EQUIPMENT
FOR INDUSTRY, TRADE
AND RESEARCH**



PCE Instruments

Discover our precise
scales and their
functions.



PCE Instruments

WEIGHING TECHNOLOGY FROM GERMANY

For industry, trade and research

The company PCE Instruments based in Meschede-Freienohl in the German Sauerland region was founded in 1999 by three engineers. With more than 120 employees and several branches around the world, the company focuses on the development, production and distribution of high-performance and innovative products from the fields of measuring instruments, control systems, weighing equipment and laboratory technology.

PCE Instruments' wide range of products and services offers high precision and flexibility in any application as well as outstanding quality and functionality. The different fields can be seen in the overview.



PCE Instruments

Location UK
PCE Instruments UK Ltd
Unit 11 Southpoint Business Park
Ensign Way, Southampton Hampshire
United Kingdom, SO31 4RF

Phone
+44 (0) 2380 987 030

Contact
info@pce-instruments.co.uk

Location USA
PCE Americas Inc.
1201 Jupiter Park Drive, Suite 8
Jupiter, FL-33458
USA

Phone
+1-561-320-9162

Contact
info@pce-americas.com



MEASURING INSTRUMENTS

The field of measuring instruments covers a multitude of innovative portable products as well as products for fixed installation that measure electrical, mechanical, biological and chemical parameters.

CONTROL SYSTEMS

The range of control systems covers the complete demand for sensors, displays, controllers and paperless recorders.

WEIGHING EQUIPMENT

The field of weighing equipment comprises a wide standard range of high-quality scales and balances that can be calibrated and/or verified for trade.

LABORATORY TECHNOLOGY

High-end analytical and laboratory devices have been developed for professional applications and in particular for use in laboratories.



DEVELOPMENT

In order to develop modified test equipment in line with customers' specifications, proficient engineers and technicians cooperate closely with the customer.

PRODUCTION

PCE Instruments manufactures industrial test instruments that help improving process analysis and optimisation.

CALIBRATION

Our DIN EN ISO 9001:2015 certified calibration laboratory verifies the measuring accuracy of our products. They calibrate pressure, hardness, force, material thickness, sound pressure, conductivity, redox, vibration acceleration and more.

ANALYTICAL BALANCE PCE-ABT 220

Analytical balance with touch screen

The analytical balance is a high-precision weighing instrument with a weighing range of up to 220 g. The analytical balance has a resolution of 0.1 mg. Due to this low resolution, even the smallest air turbulence in a room can influence the weighing result of the analytical balance. That is why it is equipped with a wind shield. This makes the analytical balance with touch screen

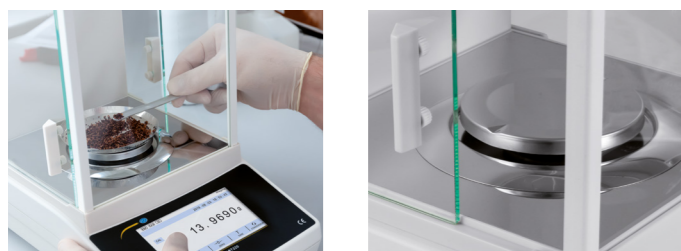
ideal for laboratory use. For precise weighing with the analytical balance, the draft shield is opened, the weighing sample is placed on the platform and then the draft shield is closed. The weighing plate of the touch screen scales has a diameter of 80 mm, so that aluminum sample or Petri dishes used in the laboratory fit exactly on the weighing pan.

ISO cal option

- ▶ 5" touch screen
- ▶ weighing range up to 220 g
- ▶ 0.1 mg resolution
- ▶ piece counting, per cent weighing, density determination
- ▶ RS232 data interface
- ▶ spirit level for aligning the analytical balance
- ▶ weighing plate of 80 mm
- ▶ wind shield



APPLICATION



TECHNICAL SPECIFICATIONS

Weighing range	0 ... 220 g
Resolution	0.1 mg
Accuracy	±0.5 mg
Repeatability	±0.2 mg
Linearity	±0.5 mg
Calibration	internal
Weighing surface	Ø 80 mm stainless steel weighing pan
Settling time	<4 s
Adjustable units	g, oz, ct, mg
Environmental conditions	10 ... 40 °C, < 85 % RH not condensing
Touch screen	5"
Interface	RS232
Power supply	220 V AC
Dimensions	340 x 215 x 350 mm
Weight	8.5 kg

Further models:

PCE-ABT 220L	without touch screen
--------------	----------------------



Subject to change without notice

PRECISION BALANCE PCE-BSK 310

Precision balance with piece counting function

The precision scales are suitable for daily laboratory use. Another function besides the normal measurement function of the precision balance is the piece counting function. This function allows the precision scales to determine the number of screws, for example. Thus, for example, the precision balance can also be used in logistics. So that the display

is readable even in poor lighting conditions, the display of the precision balance has a backlight. In addition to the measuring functions, the precision balance also has an RS 232 interface. Thanks to this interface, the measured values can be transferred to a PC, for example.

- ▶ piece counting function
- ▶ RS-232 interface
- ▶ backlight
- ▶ battery operation for mobile use
- ▶ level indicator to align the scales
- ▶ high precision



APPLICATION



TECHNICAL SPECIFICATIONS

Weighing range	0 ... 310 g
Resolution	0.001 g
Repeatability	± 0.002 g
Linearity	± 0.003 g
Calibration	external
Wind shield	yes
Dimensions Weighing plate	Ø 90 mm / 3.5 in
Dimensions	270 x 265 x 190 mm / 10.6 x 10.4 x 7.5 in
Weight	3.5 kg / 7.7 lbs
Operating conditions	17.5 ... 22.5 °C / 63.5 ... 72.5 °F, 85 % RH, non-condensing
Interface	RS232
Power supply	battery 3 x 1.5 V AA mains adaptor primary: 100 ... 240 V, 50/60 Hz secondary: 6 V, 500 mA

Further models:

PCE-BKS 1100	1100 g
PCE-BKS 5100	5100 g



Subject to change without notice

ANALYTICAL BALANCE PCE-BS 300

Adjustment program to adjust accuracy by means of optional control weights

The laboratory balances PCE-BS is a light, rugged precision balance suitable for different purposes. The removable stainless steel pan allows the laboratory balance to be cleaned easily. The PCE-BS 300 and 3000 laboratory balance can be used for weighing as well as for piece counting. The calibration of this laboratory balance is done by means of

external calibration weights (automatic calibration procedure) or at an accredited laboratory (ISO calibration). The laboratory balance is equipped with four adjustable feet. If the balance is used in a laboratory, it can be powered by the external mains adaptor (included). In case the balance is used as a mobile weighing instrument, it can be powered by AA batteries.

ISO cal option

- ▶ piece counting function with 10, 20, 50 or 100 reference pieces
- ▶ display can be switched between weight and pieces
- ▶ taring function across half of the range (multiple taring possible)
- ▶ dust and water splash protection IP 54.
- ▶ 230 mains adaptor included
- ▶ possibility of being battery powered
- ▶ removable stainless steel weighing pan (on a plastic support)



APPLICATION



TECHNICAL SPECIFICATIONS

Weighing capacity	max. 300 g / 0.3 kg / 0.66 lb / 10.58 oz
Weighing units	g, kg, lb, oz
Readability	0.01 g
Repeatability	0.01 g
Minimum weight for piece counting	0.02 g/piece
Pan size (diameter)	Ø 100 mm
Wind protection shield size	(W x D x H): 136 x 144 x 136 mm
Operating temperature	+10 ... +30 °C / +32 ... +104 °F
Calibration	automatic, requires external calibration weights (not included)
Display	15 mm / 0.59 " LCD with backlight
Housing	ABS plastic
Power supply	1 x mains adaptor or 6 x AA batteries
Protection class	IP 54
Dimensions	approx. 165 x 245 x 70 mm / 6.5 x 9.65 x 2.76 in
Weight	approx. 600 g / 1.32 lbs

Further models:

PCE-BS 3000	max. 3000 g / 3 kg / 6.61 lb / 105.82 oz
PCE-BS 6000	max 6000 g / 6 kg / 0.007 ... 13 lbs



Subject to change without notice

CRANE SCALES

HANGING SCALES PCE-HS 150N

Weighing range up to 150 kg / 330 lbs

The PCE-HS 150N are affordable digital hanging scales, crane scale, weighing hooks or electronic balances that offers quick, easy and accurate weighing of large objects, animals, fish and game.

Simply mount the item to be weighed to the hook or snap hook (both hooks are included). Useful for forklift and industrial appli-

cations and as well as recreational fishing and hunting, the PCE-HS 150N digital hanging scales feature:

ISO cal option

- ▶ weighing range up to 150 kg / 330 lbs
- ▶ battery operation (3 x AA 1.5 V batteries provided)
- ▶ auto-off power-saving function (can be deactivated, if preferred)
- ▶ multiple, full-range taring (useful when adding weighing objects or for the production of mixtures)
- ▶ PEAK hold function and measurement conversion to Newton (N) (enables use as a simple force meter)
- ▶ animal weighing function (calculates an average of several values, allowing live animal weighing)



APPLICATION



TECHNICAL SPECIFICATIONS

Maximum allowable load	150 kg / 150000 g / 330 lbs
Minimum load (no display)	0.50 kg / 500 g / 1.10 lbs
Readability (d)	0.05 kg / 50 g / 0.11 lb
Tolerance / accuracy	±0.20 kg / 200 g / 0.44 lb

General information

Taring	multiple, full-range taring
Display	LCD, backlit
Digit height	19 mm / 0.75 in
Units of measurement	kg / lb / N (Newton)
Power supply	3 x 1.5 V AA batteries (included)
Operating temperature	5 °C ... 35 °C / 41 °F ... 95 °F
Housing	ABS plastic
Dimensions	approx. 87.5 x 67 x 196.7 mm / 3.45 x 2.64 x 7.75"
Weight	approx. 0.40 kg / 400 g / 0.88 lb

Further model:

PCE-HS 50N	50 kg / 50000 g / 110 lbs
-------------------	----------------------------------



Subject to change without notice

HANGING SCALES PCE-CS 300

Hanging hook / shackle / remote control

The PCE-CS 300 are digital, battery-powered hanging scales for indoor use. The rugged design of the hanging scales accommodate applications in rough industrial conditions as well as in fields such as food and hygiene.

A stainless-steel, carabiner-style shackle, a zinc-coated hook and an infrared remote control are included with the hanging

scales, as are six 1.5 V AA batteries. The hanging scales come factory calibrated and, for an additional fee, the PCE-CS 300 can be calibrated according to ISO standards.

ISO cal option

- ▶ battery-powered
- ▶ rugged design
- ▶ stainless-steel, carabiner-style shackle
- ▶ zinc-coated hook
- ▶ infrared remote control



APPLICATION



TECHNICAL SPECIFICATIONS

Weighing capacity	300 kg / 661.39 lbs
Readability	0.05 kg / 0.11 lbs
Repeatability	0.1 kg / 0.22 lbs
Min. weight	2 kg / 4.41 lbs
TARE	full range
Protection	IP54 (dust and splash proof)
Settling time	<10 s
Max. overload	50 %
Units of weight	kg / lbs
Display	LCD, digit height of 20 mm / 0.78 in
Power supply	4 x 1.5 V AA batteries 2 x 1.5 V AA batteries (for remote control)
Operating temperature	-10°C ... +40°C / +14°F ... +104°F
Operating humidity	30% ... 90% RH
Net weight	1.2 kg / 2.65 lbs incl. batteries
Remote control	infrared, for distances up to 10 m / 32.80 ft



Subject to change without notice

CRANE SCALE

CRANE SCALES PCE-CS 3000N

3 ton, 3000 kg, 6613 lb weighing capacity

The PCE-CS 3000N is a digital, rechargeable battery-powered, heavy-duty crane scale model that displays measurement values in kilograms (kg) or pounds (lbs).

The crane scales come factory calibrated and include a hook, shackle and remote control. For an additional fee, the scales can

be calibrated according to ISO standards. This robust hanging scale model is designed for indoor industrial use.

ISO cal option

- ▶ displays measurement values in kilograms (kg) or pounds (lbs)
- ▶ comes factory calibrated (see accessories for optional ISO calibration)
- ▶ includes hook, shackle and remote control
- ▶ features zero, tare, hold, sum, power-saving automatic shutdown and timed backlighting functions



APPLICATION

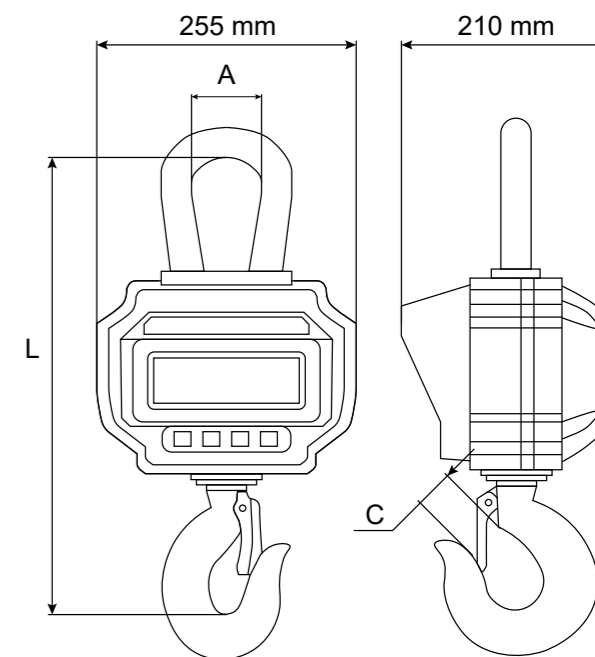


TECHNICAL SPECIFICATIONS

Maximum weighing capacity	3 t / 3000 kg / 6613 lbs
Resolution	0.5 kg / 1.1 lbs
Accuracy	±2 kg / ± 4.4 lbs
Tare range	100 % full scale
Zero range	4 % full scale
Settling time	≥2 seconds
Units of weight	kg / lbs
Overload	100 % full scale + 9 verification scale interval
Limit load	150 %
Display / character height	red LED / 35 mm
Power supply	1 x rechargeable battery, 2 x AA batteries
Operating conditions	-10° C ... +40° C / +14° F ... +104° F ≤90 % RH
Weight	approx. 14.3 kg / 31.53 lbs
Dimensions	see diagram below

Technical drawing

A	68 mm / 2.67 in
B	112 mm / 4.40 in
C	33 mm / 1.29 in
L	420 mm / 16.53 in



Further models:

PCE-CS 1000N	1 t / 1000 kg / 2200 lbs
PCE-CS 5000N	5 t / 5000 kg / 11023 lbs
PCE-CS 10000N	10 t / 10.000 kg / 22046 lbs



Subject to change without notice

CRANE SCALES PCE-DDM 5

Measurement range up to 5 t

The PCE-DDM 5 crane scales are the ideal tool for measuring strong tensile forces. The PCE-DDM 5 crane scales are delivered in a protective carrying case and include two shackles made of heavy-duty aluminum. The instrument is manufacturer calibrated but can be certified to ISO standards for an additional fee. Despite their high measuring capacity, the crane scales

are a compact portable device with a low net weight. Interesting functions of the crane scales are the peak hold function, summation function and the ability to select different units of measurement such as kg / t / lbs / N / kN. The instrument is only suitable for weighing and for tension force testing. For compression force testing, please see the PCE-FB series force gauges.

ISO cal option

- ▶ remote control indicator, shackles and carrying case included
- ▶ selectable units of measurement: kg / t / lb / N / kN
- ▶ high capacity
- ▶ compact and portable
- ▶ long battery life
- ▶ peak hold function
- ▶ summation function
- ▶ adjustable gravitation range



APPLICATION

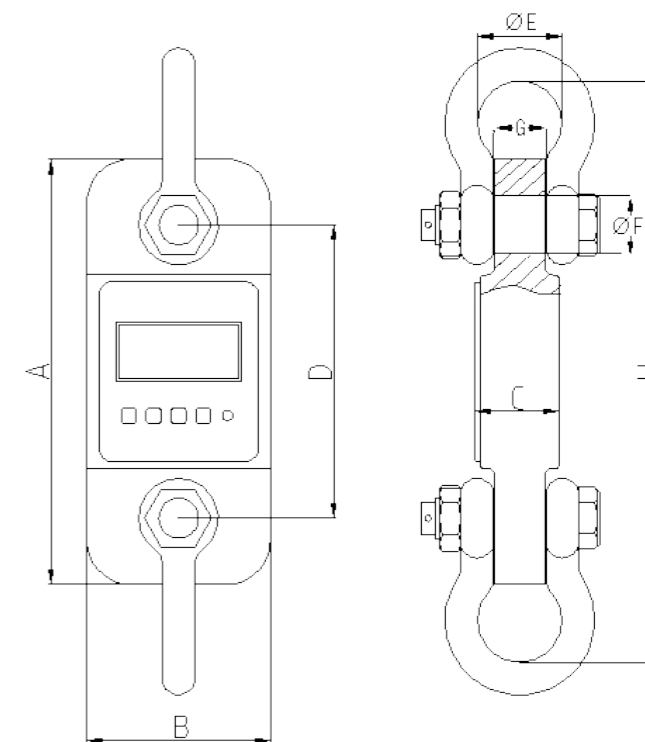


TECHNICAL SPECIFICATIONS

Measurement range	5000 kg / 50 kN / 11023 lbs
Resolution	2 kg / 20 N / 4 lbs
Min. weight	40 kg / 88 lbs
Weight (with shackle)	3 kg / 6.6 lbs (6 kg / 13 lbs)
Accuracy	±0.1 % of measurement range
Tare range	max. 20 % of measurement range
Display	LCD with 22 mm / 0.9 in digit height
Units of measurement	kg / t / lb / N / kN
Sampling rate	2.5 Hz
Operating temperature	-10 °C ... +40 °C / +14 °F ... +104 °F
Power supply	3 x 1.5 V AA batteries
Operating time	approx. 50 hours

Technical drawing:

A	285 mm / 11.2 in
B	123 mm / 4.8 in
C	57 mm / 2.2 in
D	210 mm / 8.3 in
Ø E	58 mm / 2.3 in
H	405 mm / 15.9 in



Further models:

PCE-DDM 3	3000 kg / 30 kN / 6614 lbs
PCE-DDM 10	10000 kg / 100 kN / 22046 lbs
PCE-DDM 20	20000 kg / 200 kN / 44092 lbs
PCE-DDM 50	50000 kg / 500 kN / 110231 lbs



Subject to change without notice

INVENTORY SCALES

INVENTORY SCALES PCE-DPS 25

Inventory scales with two weighing plates

The inventory scales is a balance with two integrated weighing platforms in one measuring device. Both weighing surfaces on the precision balance have different specifications. With the large weighing surface of the precision balance, a weight of a test item of up to 25 kg / 55 lbs can be determined with a resolution of 0.5 g. With the small weighing surface of the preci-

sion balance, however, weighings of up to 1 kg / 2.2 lbs and a resolution of 0.02 g are possible. This means that this precision balance can be used to carry out an even wider range of weighings than alternative balances. In addition to the normal weighing function, the precision balance has a piece counting function.

ISO cal option

- ▶ two integrated weighing surfaces
- ▶ piece counting function
- ▶ battery and mains operation
- ▶ different interfaces
- ▶ built-in bubble level for leveling the balance
- ▶ connection of another load cell possible



APPLICATION



TECHNICAL SPECIFICATIONS

Weighing plate 1	
Measurement range	25 kg / 55 lbs
Measurement accuracy	±2 g
Resolution	0.5 g
Weighing plate dimensions	345 x 260 mm / 13.6 x 10.2 in
Weighing plate 2	
Measurement range	1 kg / 2.2 lbs
Measurement accuracy	±0.08 g
Resolution	0.02 g
Weighing plate dimensions	114 x 114 mm / 4.5 x 4.5 in
Further specification	
Interfaces	USB-A (connection to PC) SUB D9 female (connection to external measuring cell) SUB D9 male (RS232)
Power supply mains adaptor	primary: 100 ... 240V AC, 50/60 Hz, 0.5 A secondary: 12 V DC, 1 A
Built-in battery	2000 mAh
Dimensions	320 x 120 x 480 mm / 12.6 x 4.7 x 18.9 in
Operating conditions	0 ... 40 °C / 32 ... 104 °F
Weight	8.6 kg / 19 lbs



Subject to change without notice

INVENTORY SCALES PCE-PCS 30

Piece counting with high accuracy / weighing range: 0.5 ... 30000 g / 30 kg

The PCE-PCS 30 is an inventory balance with accurate weighing and piece or part counting functions. It is ideal for use at the laboratory, office, inventory and in miscellaneous industrial applications.

These portable scales can be powered by battery or by the included mains adaptor. The scales' built-in RS-232 port enables data transfer and printing.

ISO cal option

- ▶ functions: TARE, ZERO, auto calibration
- ▶ displays gross weight, unit weight and total quantity of pieces (pcs)
- ▶ programmable (99 memory positions)
- ▶ automatic communication via RS-232 port when reading is stable or continuous output
- ▶ powered by mains adaptor (included) or battery
- ▶ low power indicator signals need to recharge battery
- ▶ features adjustable feet for leveling



APPLICATION



TECHNICAL SPECIFICATIONS

Weighing range:	0.5 ... 30000 g / 30 kg
Readability:	0.5 g
Repeatability:	±0.5 g
Minimum weight:	0.5 g
Minimum piece weight:	0.5 g
Memory positions for reference weight:	99
Settling time:	3 seconds
TARE range:	100 %
Weighing units:	grammes or kilogrammes (metric only)
Display:	3 x 6 digit LCD
Calibration:	auto (requires external weight, not included)
Dimension of weighing pan:	230 x 310 mm / 9.06 x 12.21"
Operating temperature:	0 ... + 40 °C / + 32 ... + 104 °F
Power supply:	220 V AC mains adaptor (included) or battery
Housing:	ABS plastic
Interface:	RS-232 port
Dimensions of scales:	approx. 320 x 320 x 125 mm / 12.6 x 12.6 x 4.92"
Weight of scales:	approx. 2.8 kg / 6.18 lb

Further model:

PCE-PCS 6	0.1 ... 6000 g / 6 kg
-----------	-----------------------



Subject to change without notice

INVENTORY SCALES PCE-EP 30P1

Two-range scales 15/30 kg / high resolution

The robust inventory scales are real all-rounders. The stand of the inventory scales can be easily separated from the platform along with the tripod mount and inserted into the workbench, if required. The cable between the platform and the display has a plug attached and is about 1.6 m long. The display of the platform scales is in a stainless steel housing with protection class

IP54. The display can be placed on the workbench, on the wall, or on the stand of the platform scales. In addition to the standard functions such as counting, summing, gross / net weighing, limit weighing and the PEAK Hold function, the industrial scales have two special functions, i. e. the filter function for dynamic weighings and the container weighing function.

- ▶ single-point platform scales (1 load cell)
- ▶ two-range scales 15/30 kg
- ▶ freely adjustable measuring unit kg/...
- ▶ bidirectional RS232 interface
- ▶ display with IP 54 protection
- ▶ tripod incl. removable tripod mount
- ▶ off timer (deactivated)
- ▶ hold function (freezing the weight display)
- ▶ piece counting function
- ▶ animal weighing function
- ▶ limit value function MIN / OK / MAX
- ▶ filter function



APPLICATION



TECHNICAL SPECIFICATIONS

Weighing range	max. 1 = 15 kg / max. 2 = 30 kg
Resolution	up to 15 kg = 2 g from 15 kg ... 30 kg = 5 g
Accuracy	±3 d (three times the resolution)
Platform size [P1]	400 x 500 mm
Tare function	entire weighing range
	RS-232 Bidirectional / D-SUB 9 female
	optional:
Interface	- analogue output 4-20 mA 1/1000 + - 4 potential-free outputs LO / OK / HI / Stable
	set as a pulse signal or continuous signal
Display	LCD with 25 mm digit height
Units	kg / lb and freely adjustable weighing unit such as kg/m
Cable length to display	ca. 160 cm / plug attached
Power supply	6 V / 4.5 Ah battery or 9 V / 1.2 A mains adaptor (incl.)
Power consumption	70 mA
Protection class	IP54
Working temperature	0 ... + 40 °C / 10 ... 80 % R.H.
Weight	approx. 14 kg

Further models:

PCE-EP 30P2	weighing range: 15/30 kg platform size [P2] 500 x 600 mm
PCE-EP 150P1	weighing range: 60/150 kg platform size [P1] 400 x 500 mm
PCE-EP 150P2	weighing range: 60/150 kg platform size [P1] 500 x 600 mm



Subject to change without notice

LABORATORY SCALES PCE-DMS 310

Paper scales with direct display in g / m² / with RS-232 interface

These paper scales were specially designed for the measurement of the basis weight. Thanks to these paper scales, basis weight measurements can be carried out and evaluated within a very short time. With these paper scales, you can also determine, for example, the grammage of paper, cardboard or various textiles exactly. Weighing up to 1100 g at a resolution of 0.01 g

can be carried out depending on the paper balance. In addition to the basis weight measurement, the paper scales can also transfer the measured data to a PC. This is possible with the help of the installed RS-232 interface. The included mains adaptor allows stationary use of the paper scales. Alternatively, the paper scales are also suitable for mobile use.

ISO cal option

- ▶ high precision
- ▶ display with backlight
- ▶ RS-232 interface
- ▶ piece counting function, grammage weighing
- ▶ battery operation for mobile use
- ▶ alignment of the balance with level



APPLICATION



TECHNICAL SPECIFICATIONS

Measurement range	0 ... 310 g / 0 ... 31,000 g / m ²
Resolution	0.01 g / 1 g / m ²
Repeatability	±0.02 g
Linearity	±0.03 g
Settling time	<3 s
Operating conditions	17.5 ... 22.5°C / 63.5 ... 72.5°F, 85% RH non-condensing
Interface	serial RS232
Power supply battery	3 x 1.5 V AA
Power supply mains adaptor	primary: 100 ... 240V, 50/60 Hz secondary: 6 V, 500 mA
Dimensions of the support surface	270 x 200 x 80 mm / 10.6 x 7.9 x 3.1 in
Weight	2 kg / 4.4 lbs

Further model:

PCE-DMS 1100	0 ... 1100 g / 0 ... 110,000 g / m ²
--------------	---



Subject to change without notice

MOISTURE METER PCE-MA 100

Heating chamber for moisture determination / readability: 1 mg / 0.001 g

The moisture meter PCE-MA 100 allows different materials to be weighed and their moisture content to be determined. The heating chamber is heated to up to 199 °C by a halogen lamp. In this chamber, the moisture meter dries the material to be weighed and then calculates the moisture content from the weight difference. The moisture meter can determine the smallest

weight differences thanks to a readability of 0.001 g. The results are displayed on the large LCD. Up to 15 different drying programmes can be saved to the memory of the moisture meter. Accordingly, the moisture meter is suitable for quality control of wood products, granules, pellets, feed, food, pastes and more.

ISO cal option

- ▶ weighing range: 110 g
- ▶ readability: 1 mg / 0.001 g
- ▶ RS-232 interface
- ▶ memory for up to 15 drying programmes
- ▶ adjustable drying temperature and time
- ▶ calibration function for readjustment
- ▶ 100 g calibration weight included
- ▶ large LCD with nine membrane keys



APPLICATION



TECHNICAL SPECIFICATIONS

Weighing range	110 g
Readability	1 mg / 0.001 g
Heating element	halogen lamp
Temperature range	+40 ... +199 °C
Heating time	1 ... 99 min, adjustable
Moisture measurement range	0 ... 100 %
Readability	0.01 %
Memory	15 drying programmes
Interface	RS-232
Display	LCD, 9 membrane keys
Power supply	220 V / 50 Hz or 110 v / 60 Hz
Dimensions	200 x 180 x 380 mm

Further models:

PCE-MA 110	110 g / 10 mg / 0,01 g
PCE-MA 200	200 g / 1 mg / 0,001 g
PCE-MA 202	200 g / 10 mg / 0,01 g



Subject to change without notice

PALLET SCALES

INDUSTRIAL PALLET SCALES PCE-EP 1500

Mobile industrial scales with 3 ranges / weighing range up to 1,500 kg

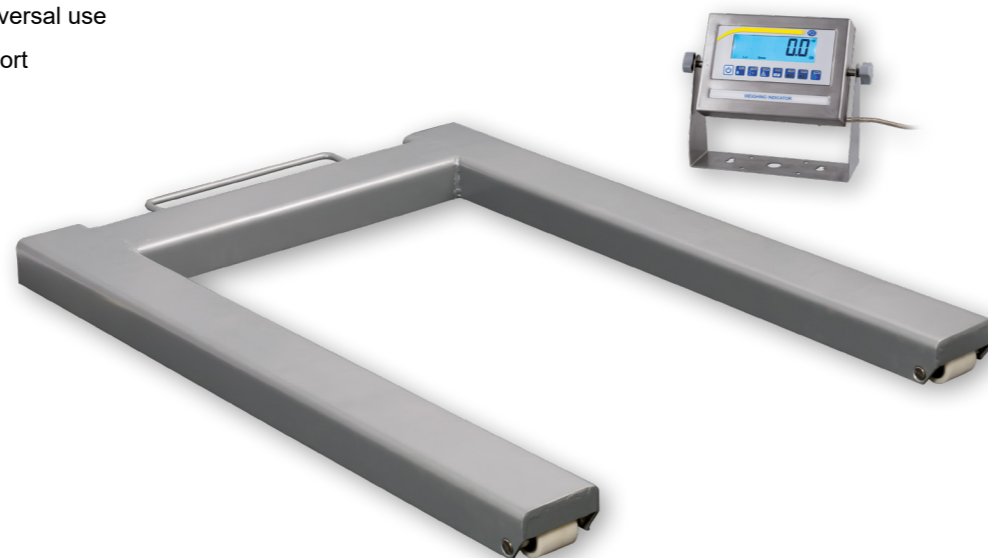
These industrial scales PCE-EP 1500 allow you load directly in the ramp in no time at all. This industrial scale model is the ideal solution for fast and precise mobile weighing in industrial and warehousing applications, in shipping and receiving applications and in inventory control. Now, you do not need to move the pallet up to the scales. You only have to bring the weighing

goods near the scales and you will be able to have good control of the process.

The industrial scales can be transported without any problems. In the front, there is a handle to elevate it and on the sides of the scales, there are wheels.

ISO cal option

- ▶ three ranges for high accuracy
- ▶ accuracy $\pm 0,05$ % of current value
- ▶ large display, 25 mm, removable
- ▶ automatic tare calculation, manual tare entry, adding function
- ▶ painted steel housing (carriable)
- ▶ battery supply which allows an universal use
- ▶ wheels and handle for easy transport
- ▶ adjustable leveling foot

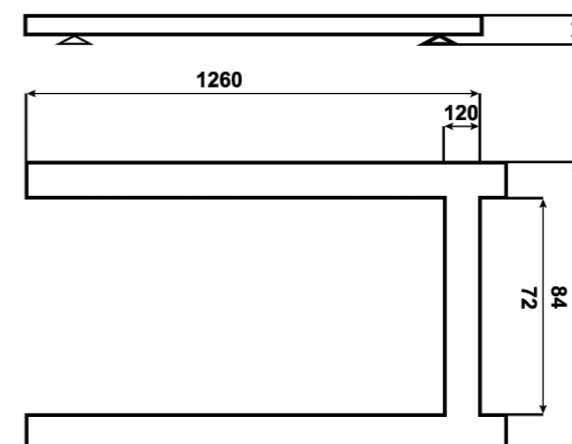


APPLICATION



TECHNICAL SPECIFICATIONS

Weighing range	0 ... 1500 kg
Readability	500 g
Reproducibility	500 g
Tare range	full range
Response time	< 4 s
Display	LCD 25 mm, easy to read, high contrast, 4 keys removable with 4 m cable length
Units	kg
Min. weight	10 kg
Max. weight	150 %
Calibration	automatic (external weight)
Operating temperature	-10 ... +40 °C
Housing	painted steel (enameling)
Power supply	230 V / 50 Hz (via 12 V Net adaptor, included) or 6 V internal rechargeable battery (included)
Protection	IP 54
Weight	70 kg



Subject to change without notice

PALLET SCALES

WEIGHBRIDGE PCE-RS 2000

Weighbridge painted steel / platform size 1200 x 1200 mm / up to 2,000 kg

The weighbridge PCE-RS 2000 is designed for stationary use. The robust construction makes this weighbridge particularly well suited for weighing large objects. The weighbridge is made of painted steel. Weighing data can be easily read thanks to its external display (with 4 m cable). The functions of the weighbridge include a summing function, a piece counting and check

weighing function. The weighbridge is delivered with a bi-directional RS-232 interface and with an optional PC software, it can show the measured values in Excel. The indicator of the weighbridge can be placed on a table or an optional tripod.

ISO cal option

- ▶ weighing range: 2,000 kg
- ▶ resolution: 0.5 kg
- ▶ bidirectional RS-232 interface
- ▶ indicator in stainless steel housing, IP 54
- ▶ LC display with 25 mm digit height
- ▶ cable to the display about 5 m (connector)
- ▶ summing function
- ▶ piece counting function



TECHNICAL SPECIFICATIONS

Weighing range	2,000 kg
Resolution	0.5 kg
Accuracy uncertainty	±2 kg
Tare range	over the entire weighing range
Display	LCD, height 25 mm, backlit
Interfaces	1x bidirectional RS-232 interface 1x analogue output 4...20 mA optional
Calibration	input / multi-point adjustment possible
Operating temperature	-10 ... +40 °C / max. 85 % RH
Power supply	12 V / 1000 mA AC adaptor (battery not possible)
Dimensions weighing platform	1200 x 1200 x 100 mm
Weight	approx. 85 kg

APPLICATION



Subject to change without notice

PALLET SCALES

PALLET SCALES PCE-SW 5000N

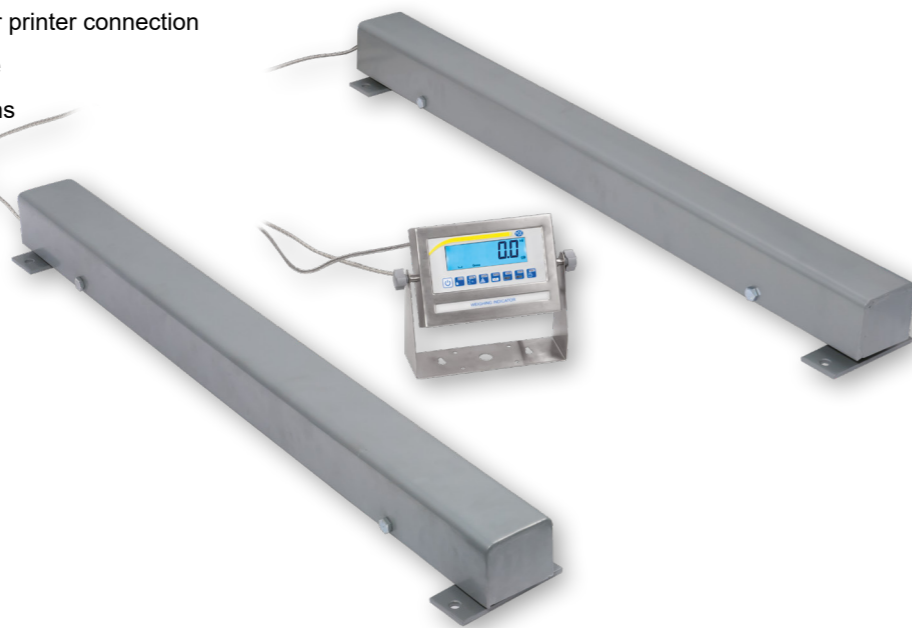
Pallet scales with a weighing capacity of up to 5,000 kg / resolution: 2 kg

PCE-SW 5000N are portable battery-powered industrial pallet beams or floor scales featuring two heavy-duty parallel weighing beams made of lacquered steel that can be positioned up to 4 m / 13 ft apart. Thus, the adjustable width accommodates multiple pallet, box and container sizes.

In addition, the scales' stainless-steel-encased display can be placed up to 4 m / 13 ft away from the pallet beams, allowing for wall mounting.

ISO cal option

- ▶ weighing capacity up to 5,000 kg
- ▶ bi-directional RS-232 interface for PC or printer connection
- ▶ multiple TARE for whole weighing range
- ▶ threshold, sum-up and counting functions
- ▶ 6 V rechargeable battery inside display
- ▶ ingress protection rating: IP 54



APPLICATION



TECHNICAL SPECIFICATIONS

Weighing range	5000 kg / 11023 lb (=5.5 t)
Resolution	2 kg
Accuracy	±8 kg
Taring range	multiple tare across entire weighing range
Display	LCD with 25 mm / 1" digit height
Cable length to display	approx. 4 m / 13 ft
Interface	bi-directional RS-232
Calibration	multi-point calibration possible
Power supply	6 V battery installed in the display (BAT-6V-4.5Ah)
Housing	scales: painted steel / display: stainless steel
Protection	IP 54
Environment	0 ... +40 °C / +32 ... +104 °F / 10 ... 80% R.H.
Weight	approx. 80 kg / 176 lb

Further models:

PCE-SW 1500N	weighing range: 1500 kg / 3306 lb (= 1.65 T)
PCE-SW 3000N	weighing range: 3000 kg / 6613 lb (= 3.3 T)



Subject to change without notice

PAPER BASIS WEIGHT BALANCE PCE-DMS 200

10 cm round pan for weighing 11 cm circle cut samples

The PCE-DMS 200 is a paper basis weight balance used to accurately determine the GSM basis weight (in relation to a square meter of material) of paper, cardboard, fabric, textiles and more directly in g, g/m², oz or oz/yd². Weighing units can be changed with just the push of a button. The PCE-DMS 200 paper basis weight balance is used primarily by paper and textile

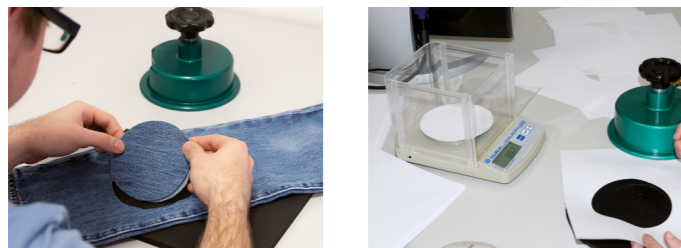
production companies. The paper and textile industries perform similar quality control testing by weighing a 11 cm round circular sample of paper or fabric. The PCE-DMS 200 paper basis weight scales make this test process quick and easy, especially when using the optional 11 cm circle sample cutter accessory (see accessories tab for details).

ISO cal option

- ▶ 10 cm round pan for weighing 11 cm circle cut samples
- ▶ weighing units can be changed with just the push of a button
- ▶ easy-to-read 15 mm (0.6") backlit LCD display
- ▶ automatically powers off (increased battery life / function can be disabled)
- ▶ automatic calibration function (using external weight - not included)
- ▶ optional ISO calibration certificate (see accessories tab for details)



APPLICATION



TECHNICAL SPECIFICATIONS

Weighing ranges	0 ... 200 g, 0 ... 20,000 g/m ² , 0 ... 7.05 oz or 0 ... 589.87 oz/yd ²
Readability	1 g/m ² or 0.01 g
Repeatability	0.02 g
Linearity	±0.02 g
Stabilization time	3 seconds
Calibration	automatic function (using external weight - not included)
Display	15 mm (0.6") LCD / backlit
Power supply	230 V / 50 Hz (via 12 V mains adaptor) or 4 x AAA batteries
Housing	ABS plastic
Wind shield	plastic / Approx. 145 x 145 x 120 mm (5.7 x 5.7 x 4.7")
Pan size	round, 10 cm (Approx. 4") diameter
Overall dimensions	approx. 145 x 210 x 40 mm (5.7 x 8.3 x 1.6")
Net weight	approx. 1 kg (2.3 lb)



Subject to change without notice

PARCEL SCALES PCE-PB 150N

Stainless steel platform / up to 150 kg

The USB platform scales of the PCE-PB N series are very versatile. The functions of the USB platform scales are very extensive but one function is particularly interesting for shipping. It is the bidirectional USB interface of the platform scales that enables control by the PC. However, the USB platform scales of the PCE-PB N series can be used with the optional, inex-

pensive "ProCell" software. This software simulates keyboard input, similar to a scanner. With the help of this software, the platform scales can then transfer the weight value into active fields. Another advantage of these platform scales is the wired display. The display is supplied with a stand but it is also suitable for wall mounting.

ISO cal option

- ▶ bidirectional USB interface
- ▶ spiral cable can be extended to approx. 1.5 m / 59"
- ▶ digit height 20 mm / 0.78"
- ▶ stainless steel platform
- ▶ PEAK function (maximum value display)
- ▶ piece counting function with reference number of pieces
- ▶ multiple tare
- ▶ function for level control (drum and barrel weighing)



APPLICATION



TECHNICAL SPECIFICATIONS

Weighing range (Max)	150 kg / 330 lbs
Minimum load (Min)	150 g / 5.3 oz
Readability (d)	50 200 g / 7 oz
Weighing plate (L x W x H)	300 x 300 x 45 mm / 11 x 11 x 1.7"
Display	LCD 20 mm / 0.78 " digit height (backlit)
Display cable	90 cm/ 35 " spiral cable extendable to approx. 1.5 m / 60" (Plug connection on the display)
Measurement units	kg / g / lb / N (Newton)
Functions	- PEAK Hold function (maximum value display) - multiple tare over the full weighing range - level control (auto tare OFF function) - piece counting function (min. 1 pc) - animal weighing function - adjustable filters for fast response time - adjustable shutdown and lighting
Interface	USB bidirectional (query with Sx + CR + LF)
Working temperature	+5 ... +35 °C / 41 ... 95 °F / max. 85 % RH
Power supply	DC 9 V / 200 mA mains adaptor unit or 6 x AA 1.5V batteries
Net weight	approx. 4 kg / 8.8 lbs

Recommended calibration weight M1 class (freely selectable)

Further model:

PCE-PB 60N	up to 60 kg
------------	-------------



Subject to change without notice

PARCEL SCALES PCE-WS 30

Benchtop electronic balance with 30000 g / 30.0 kg / 66.0 lb weighing capacity

The PCE-WS 30 is an accurate and affordable parcel scale model with a resolution or readability of 0.5 g and a weighing capacity up to 30000 g / 30.0 kg / 66.0 lb. Featuring adjustable feet and a built-in water bubble level, this benchtop electronic balance ensures precision with a full 100 % tare weight range. The PCE-WS 30 has a compact design and can be powered

by the mains adaptor or the internal battery, making the scales portable when necessary. An optional PC software package (PCE-SOFTProcell) is available for purchase as an accessory. This software is used to transmit the weight data from the scales to a programme where keyboard input is possible — such as Microsoft Excel, Word, UPS, DHL or SAP.

ISO cal option

- ▶ no automatic shut down or auto power off feature ensures continuous, uninterrupted use
- ▶ automatic calibration possible using an external weight (calibration weight not included)
- ▶ adjustable feet, settling time, backlight and data transfer settings
- ▶ weighing units: g, kg, lb
- ▶ internal memory stores up to 99 readings
- ▶ zero, tare and alarm functions
- ▶ built-in water bubble level
- ▶ low-battery indicator
- ▶ optional PC software for data transfer available for purchase as an accessory



APPLICATION



TECHNICAL SPECIFICATIONS

Weighing capacity:	30,000 g / 30.0 kg / 66.0 lb
Resolution or readability:	0.5 g
Minimum weight:	0.5 g
Memory:	99 readings
Tare range:	100 %
Weighing units:	g, kg, lb
Display:	large 6-digit LCD screen
Automatic calibration:	yes, using external calibration weight (weight not included)
Weighing pan dimensions:	230 x 310 mm / 9.1 x 12.2"
Operating temperature range:	0 ... +40 °C / +32 ... +104 °F
Power supply:	230 V / 50 Hz or 110 V / 60 Hz adaptor and internal rechargeable battery (both included)
Housing material:	ABS plastic
Interface:	RS-232 port
Dimensions:	approx. 320 x 320 x 125 mm / 12.6 x 12.6 x 4.9"
Weight:	approx. 2800 g / 2.8 kg / 6.2 lb



Subject to change without notice



PARCEL SCALES PCE-PS 75XL

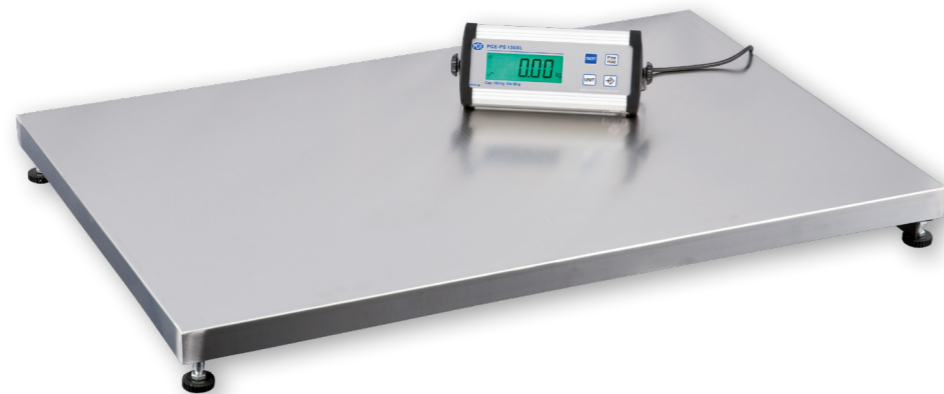
measuring range up to 75 kg, resolution 20 g

PCE Instruments offer some economical and portable parcel scales for everyday use. The parcel scales have a platform size of 600 x 900 x 80 mm. The weighing range of the parcel scales is 75 kg or 150 kg. Thanks to the flat design of the scales, they are often used as tabletop scales with a large weighing surface. The readability of the balance is 20 g for this model with a weighing

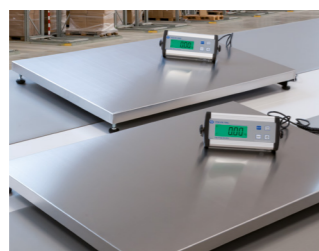
range of 75 kg and 50 g for the model with a 150 kg weighing range. The display of the balance is attached to a 1 m coiled cable. The weight values of the scales are displayed on a 25 mm backlit LC display. An RS-232 interface allows convenient communication between the scales and a PC or printer.

ISO cal option

- ▶ simple operation
- ▶ LCD display with 25 mm character height
- ▶ platform size 600 x 900 mm
- ▶ height only 80 mm (feet not extended)
- ▶ stainless steel platform
- ▶ HOLD function
- ▶ fast settling
- ▶ RS-232 interface



APPLICATION



TECHNICAL SPECIFICATIONS

Weighing capacity	max. 75 kg
Resolution / readability	20 g
General information	
Settling time	max. 3 s
Functions	hold Function, display in kg or lb, overload indicator
Data interface / data transfer	RS-232 / via key or continuously
Software	optional accessory
Display	25mm LCD with 1 m coiled cable
Display dimensions	225 x 95 x 55 mm
Power supply	230 V / 50 Hz or by internal battery
Platform size	600 x 900 mm
Overall dimensions	600 x 900 x 80 mm
Weight	approx. 16 kg

Further model:

PCE-PS 150XL	max. 150 kg
--------------	-------------



Subject to change without notice

ROLLER SCALE PCE-SD 30CR

Roller scales up to max. 30 kg

The roller scales of the PCE-SD ... CR series are designed for applications in many production and delivery processes as the roller scales support many interfaces.

The roller scales feature a standard RS-232 interface. In addition, the roller scales of the PCE-SD CR series can be equipped

with further interfaces which enable control of the roller scales. For example, the roller scales can be extended with an analogue output 4-10 mA or 0-10 V, or even potential-free contacts. The roller scales are verified for trade and can thus be used for tasks in areas of custody transfer. The roller scales can also be integrated into larger rollers.

- ▶ verifiable incl. initial verification for trade
- ▶ display cable for platform 1.5 m
- ▶ roller scale for max. 30 kg
- ▶ diameters of roller: 500 x 580 mm
- ▶ smoothly running synthetic rails
- ▶ bi-directional RS-232 interface
- ▶ item counting function
- ▶ tolerance range function: min / OK / max



APPLICATION



TECHNICAL SPECIFICATIONS

Model	PCE-SD 30CR
Weighing range	30 kg
Resolution	10 g
Verification scale interval	10 g
Minimum load*	200 g
Roller area dimensions	500 x 580 x 110 mm
Roller material	synthetic
Frame around rollers	galvanised
Diameters of scale	520 x 620 x 150 mm
Platform	stainless steel in synthetic protection foil
Display	LCD display on a 1.5 m cable
Taring range	complete weighing range
Settling time	approx. 3 sec.
Verification class	M III
Interface	serial RS-232 (bi-directional)
Operating temperature	-10 °C ... +40 °C
Power Supply	~230 V 50 Hz 6 VA / = 12 V 1,2 A adaptor
Protection type	IP 54
Weight of scale	33 kg

Further models:

Model	PCE-SD 60CR
Weighing range	60 kg
Resolution	20 g
Verification scale interval	20 g
minimum load*	400 g
Model	PCE-SD 150CR
Weighing range	150 kg
Resolution	50 g
Verification scale interval	50 g
minimum load*	1 kg



Subject to change without notice

HYDRAULIC LIFTING TABLE SCALES PCE-HLTS 500

Infinite height adjustment for back-friendly use

Thanks to the infinitely variable height adjustment, the hydraulic lifting table scales help you work faster, more comfortably and with less strain on your back. This industrial scale model consists of a robust scissors lift table with an individual working height of 350 ... 1130 mm / 13.8 ... 44.5 in. The hydraulic lifting table scales can lift a load of up to 500 kg / 1102.3 lbs and weigh

it with a resolution of 0.2 kg / 0.4 lbs. The industrial hydraulic lifting table scales offer a working surface of 1300 x 850 mm / 51.2 x 33.5 in surrounded by a safety edge which in the event of a jam interrupts the lowering process immediately in order to avoid personal injury.

- ▶ infinite height adjustment from 350... 1130 mm / 13.8 ... 44.5 in
- ▶ weighing range up to 500 kg
- ▶ resolution 0.2 kg
- ▶ lifting and lowering the platform by pushing a button
- ▶ RS232 interface
- ▶ all-round safety terminal strip
- ▶ summing function
- ▶ target / actual check of the total weight
- ▶ piece counting function
- ▶ external control unit with lifting button, lowering button and emergency stop
- ▶ lowering process not possible in the event of a power failure thanks to safety valve



APPLICATION



TECHNICAL SPECIFICATIONS

Lifting table

Load 500 kg / 1102.3 lbs
 Lift range 350 ... 1130 mm / 13.8 ... 44.5 in
 Lift 780 mm / 30.7 in
 Lift drive hydraulic

Platform size 1300 x 850 mm / 51.2 x 33.5 in
 Platform type closed
 Lifting speed without load approx. 60 mm / s
 Lifting cycles max. 10 per hour / max. approx. 30,000
 Control panel lifting button, lowering button and emergency stop
 cable length approx. 3 m / 9.9 ft

Power hydraulic pump 2.2 kW
 Power supply lift table 380V / CEE 16A
 Cable length approx. 3.5 m / 11.5 ft
 Weight approx. 225 kg / 496 lbs

Scales

Weighing range 500 kg
 Resolution 0.2 kg
 Measurement uncertainty ±1 kg
 Taring multiple taring across the entire weighing range

Display LCD with a digit height of 25 mm / 1 in
 Display assembly tripod / operating height 115 mm / 4.5 in
 Length of cable to display approx. 5 m
 Interface RS-232 / Sub D9 / male
 Power supply rechargeable 6 V battery / 9 ... 12 V mains adaptor
 Weight approx. 55 kg

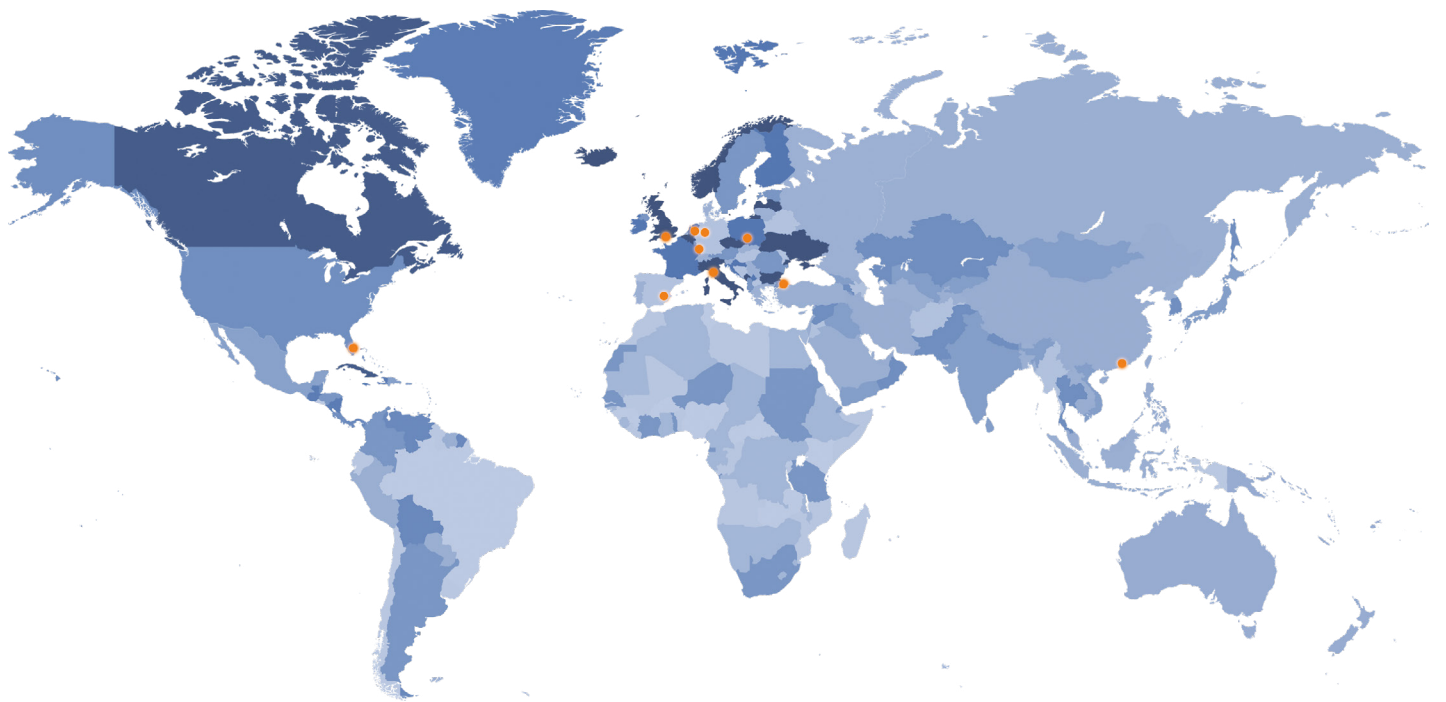
Further model of the PCE-HLTS series:

PCE-HLTS 2T weighing range up to 2 t



Subject to change without notice

COMPANY LOCATIONS



Contact

PCE Instruments UK Ltd.
Unit 11 Southpoint Business Park
Ensign Way, Southampton Hampshire
United Kingdom, SO31 4RF

+44 (0) 2380 987 030

info@pce-instruments.co.uk

www.pce-instruments.com

Germany
Spain
USA
UK
France
Italy
Hong Kong
Turkey
The Netherlands
Poland

PCE Deutschland GmbH
PCE Iberica S.L.
PCE Americas Inc.
PCE Instruments UK Ltd.
PCE Instruments France EURL
PCE Italia s.r.l.
PCE Instruments Hong Kong Ltd.
PCE Teknik Cihazlar Ltd. Şti.
PCE Brookhuis B.V.
PCE Instruments Polska Sp. z. o. o.