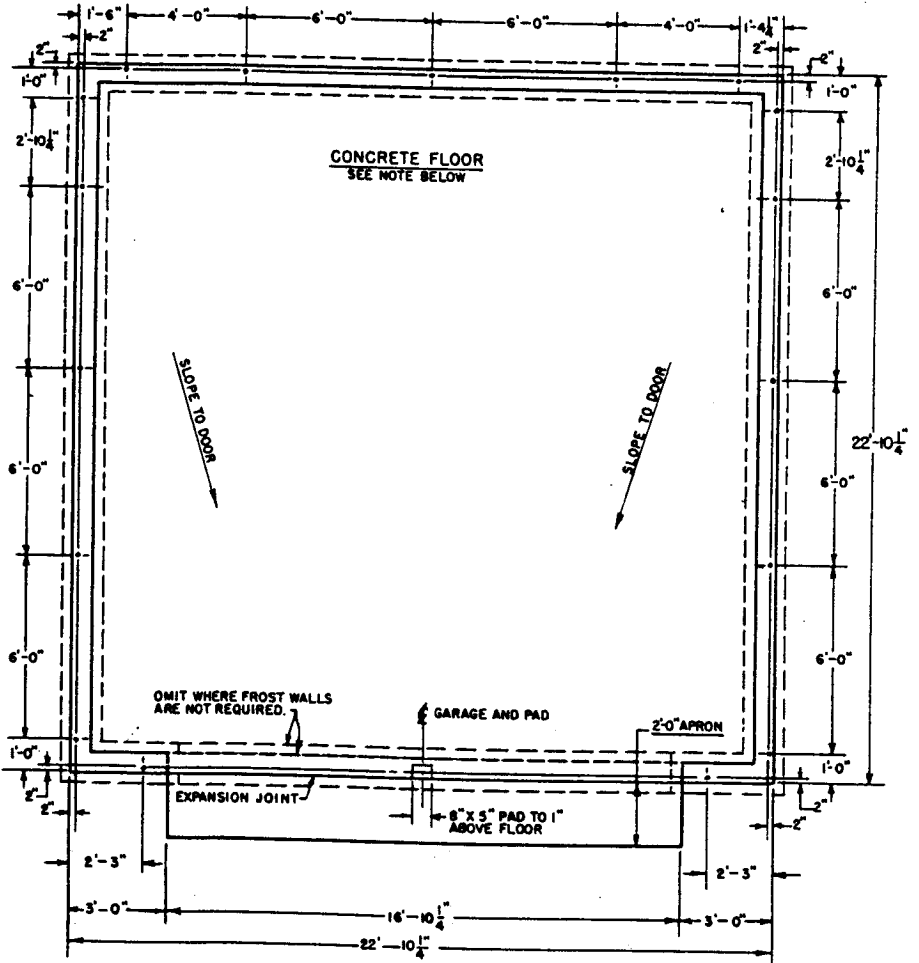
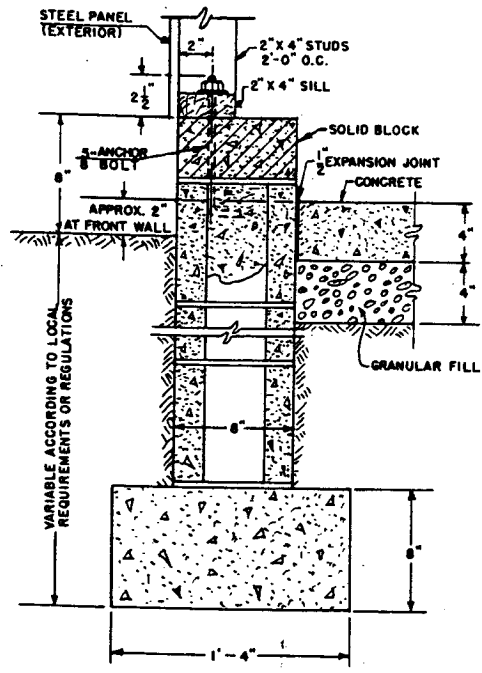


CODES SECTION



FOUNDATION & FLOOR PLAN



CROSS SECTION THROUGH FOUNDATION

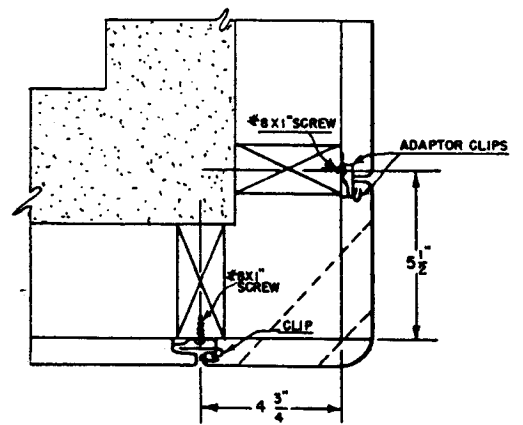
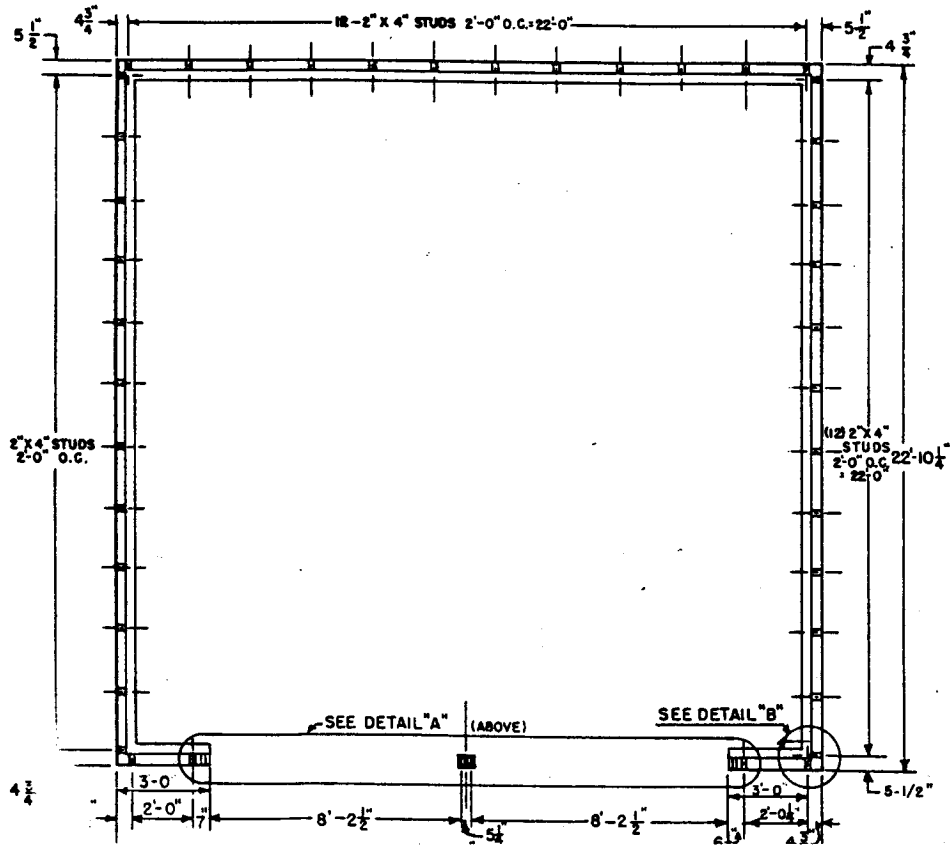
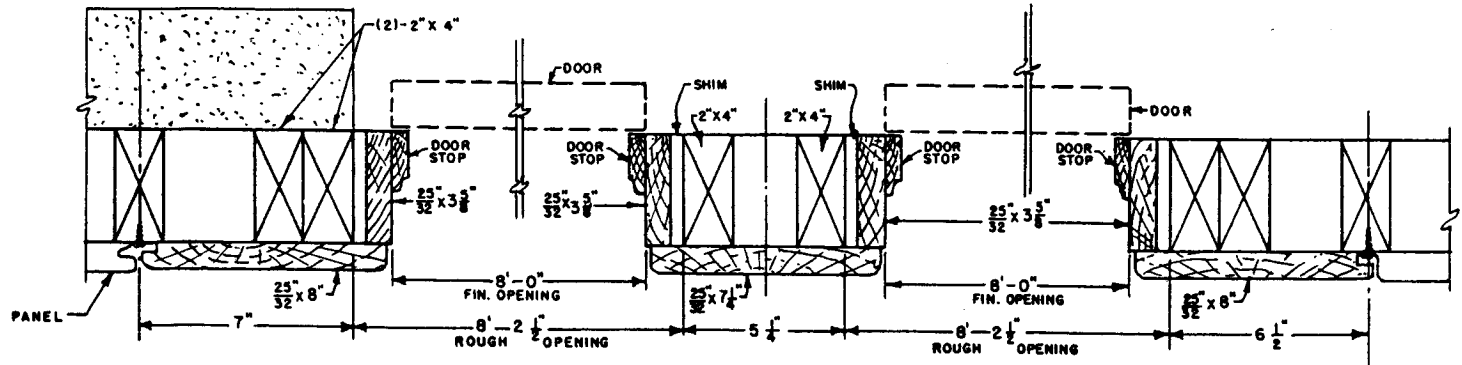
NOTE: FLOOR MAY BE SLAB ON GRADE OR SUSPENDED

Lustron
CORPORATION

ERECTION MANUAL

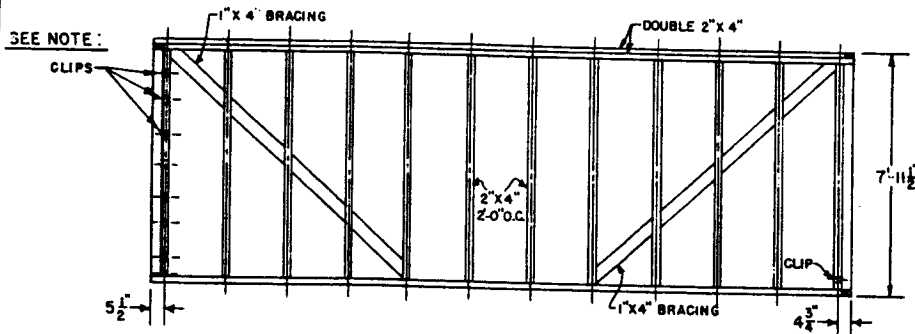
TITLE **TWO CAR GARAGE-FOUNDATION DETAILS**

DESIGNED BY: [illegible]

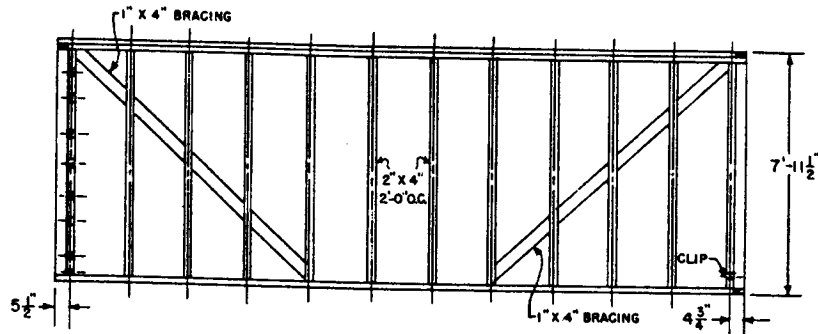


LUSTRON
CORPORATION

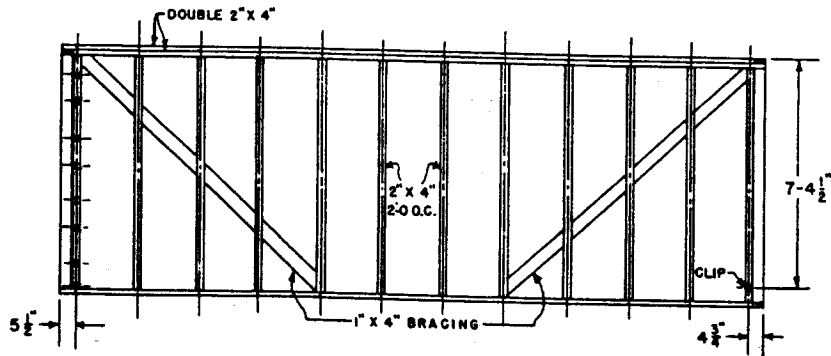
ERECTION	MANUAL
TITLE FRAMING & FRAMING DETAILS	
TWO CAR GARAGE	



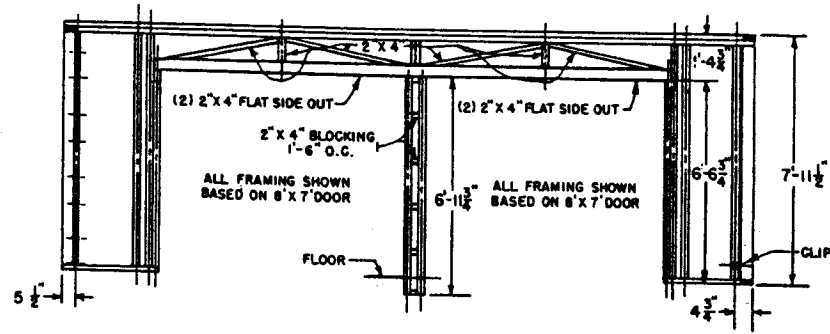
RIGHT WALL FRAMING
VIEW FROM OUTSIDE LOOKING IN



REAR WALL FRAMING
VIEW FROM OUTSIDE LOOKING IN



LEFT WALL FRAMING
VIEW FROM OUTSIDE LOOKING IN



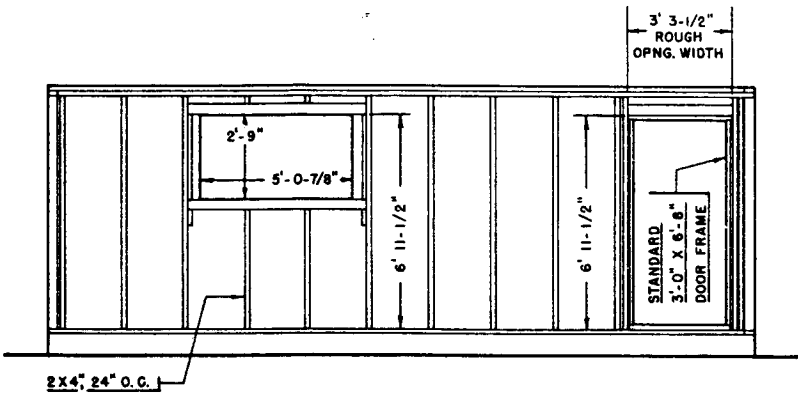
FRONT WALL FRAMING
VIEW FROM OUTSIDE LOOKING IN

NOTE:
FOR LOCATION & INSTALLATION OF ALL
CORNER PANEL CLIPS SEE PAGE EM-

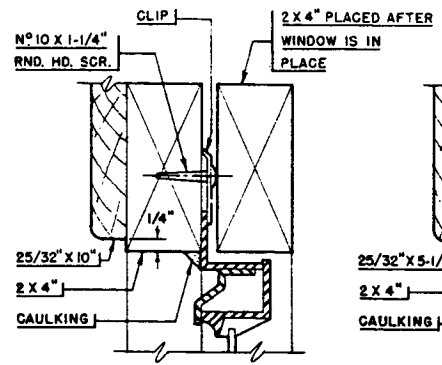


LUSTRON
CORPORATION

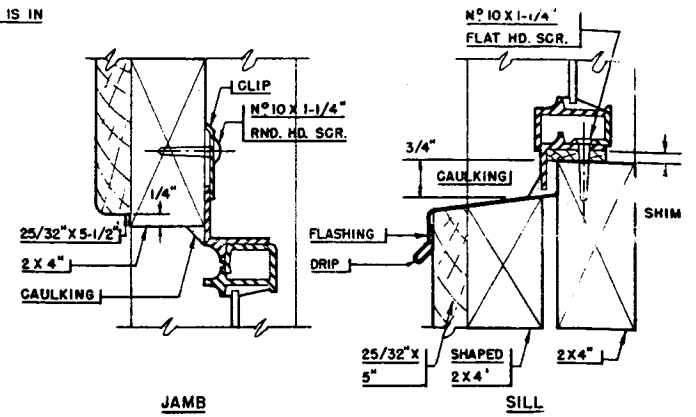
ERECTION TITLE	MANUAL
WALL FRAMING-TWO CAR GARAGE	



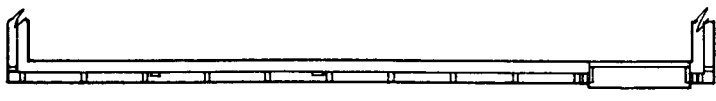
WALL STRUCTURE



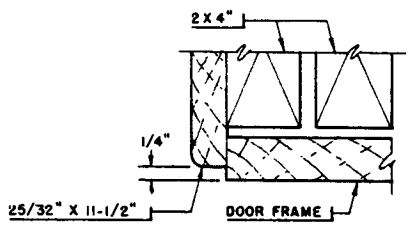
HEAD



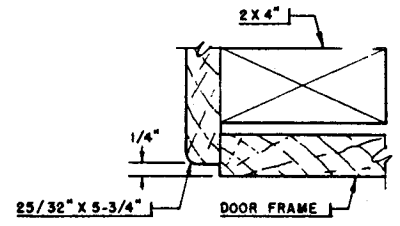
**JAMB
WINDOW SECTIONS**



PLAN

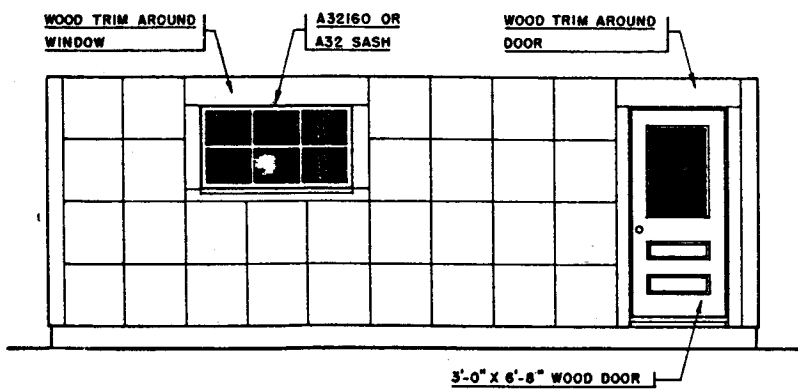


HEAD



JAMB

DOOR SECTIONS



SIDE WALL ELEVATION



LUSTRON
CORPORATION

ERECTION	MANUAL
TITLE SUGGESTED DOOR AND WINDOW ARRANGEMENT	
GARAGE	