



## EZ36

### Tracked Zero Tail Excavator

Compact design and high performance

Get in and start working – with the EZ36, performance meets maximum efficiency. This zero tail excavator is ideal if compact dimensions are needed. Minimal rear overhang makes working along walls and other obstacles an easy task. The machine features intuitive operation using a joystick, display and jog dial, as well as a comfortable working environment. This leaves the operator in full control of the application. Configurable to meet a customer's requirements, the EZ36 offers dealer-installed options, including a hydraulic thumb and rotating beacon.

### Highlights

- Comfortable, fully glazed cab
- Intuitive operating concept
- Optimized drive concept
- VDS Vertical Digging System
- Zero Tail

### Technical Data

#### Hydraulic

Operating pressure	3,480.0 psi
hydraulikpump	Axial piston and 2 gear pumps
Flow rate max.	31.7 gal/mi

#### Mechanical - Output Details

Nominal Engine speed	2,400.0 1/min
Travel speed	2.9 m/H

#### Mechanical Details

Length	216.9 "
Width	68.9 "
Height	106.7 "
Operating weight (min.-max.)	8,196.8 - 10,901.9 lb
Digging depth (max.)	137.7 "

#### Engine

Cooling	Water-cooling
Motor type	Diesel engine
Cylinder	3.0
Cylinder capacity	100.2 Inch3

Inclined position max.	30.0 °
Fuel type	Diesel EN 590
Effective power	24.4 hp
Nominal Engine speed	2,400.0 1/min
Exhaust-gas limit	EU Stage V
Battery capacity (nom. value)	71.0 Ah
Manufacturer	Yanmar
Engine designation	3TNV88

#### Environment Data

Sound power LWA, guaranteed	94.0 dB(A)
-----------------------------	------------

#### Operating Fluids

Oil volume	1.770 gal US
Cooling fluid volume	5.3 qt US
Hydraulic fluid volume	65.0 qt US

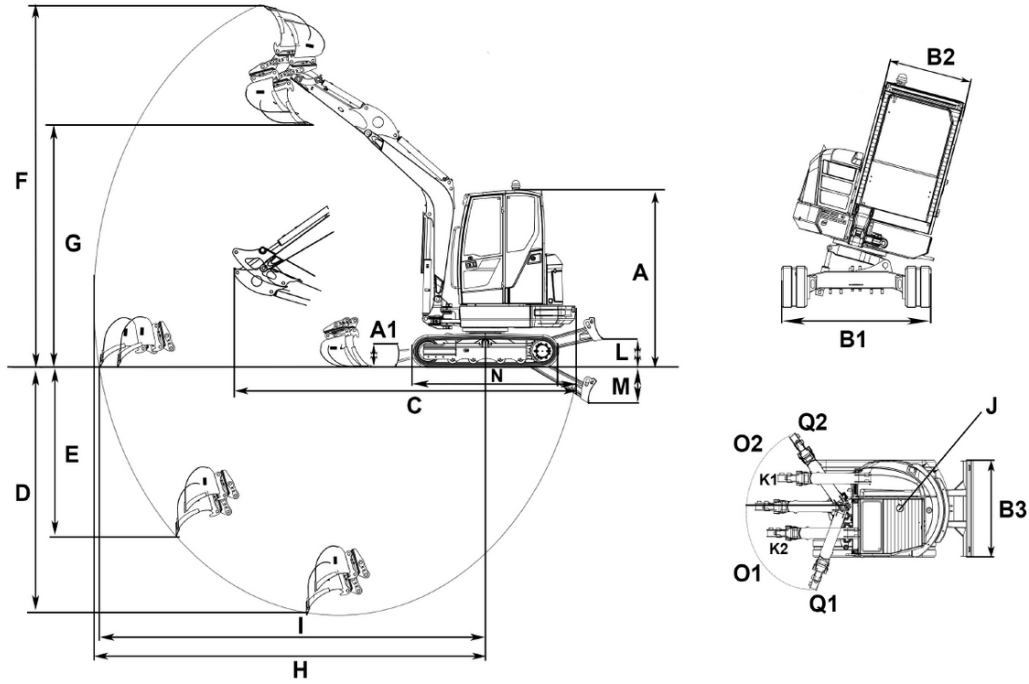
#### Chassis

drive unit	Axialpistonmotor with RGU
------------	---------------------------

#### Shipping and Storage

Shipping weight	7,780.1 lb
-----------------	------------

## Dimensions



A	Height with cab	98.15 in
A1	Height of dozer blade	14.1 in
A	Total height with rotating beacon	103.5 in
B1	Width of cab	38.6 in
B2	Width travel gear	68.9 in
B3	Width of dozer blade	68.9 in
C	Transport length	216.82 in
D	Digging depth max., short shovel arm	127.93 in
	Digging depth max., long shovel arm	137.78 in
E	Piercing depth max., short shovel arm	83.65 in
	Piercing depth max., long shovel arm	92.98 in
F	Piercing height max., short shovel arm	194.05 in
	Piercing height max., long shovel arm	200.23 in
G	Dumping height max., short shovel arm	131.44 in
	Dumping height max., long shovel arm	137.47 in
H	Digging radius max., short shovel arm	208.74 in
	Digging radius max., long shovel arm	219.93 in
I	Max. reach at ground level (short shovel arm)	212.41 in
	Max. reach at ground level (long shovel arm)	222.26 in
J	Tail swing radius	36.76 in
K1	Boom offset max. (to center of bucket right side)	26.79 in
K2	Boom offset max. (to center of bucket left side)	25.61 in
L	Stacking height max. (dozer blade above surface)	15.48 in
M	Digging depth max. (dozer blade below surface)	19.9 in
N	Length travel drive	81.24 in
O1	Max. swivel angle (arm system to the left)	70 °
O2	Max. swivel angle (arm system to the right)	45 °
Q1	Boom swing radius right	55 °
Q2	Boom swing radius left	70 °