



## Appendix C – Trim Component Installation

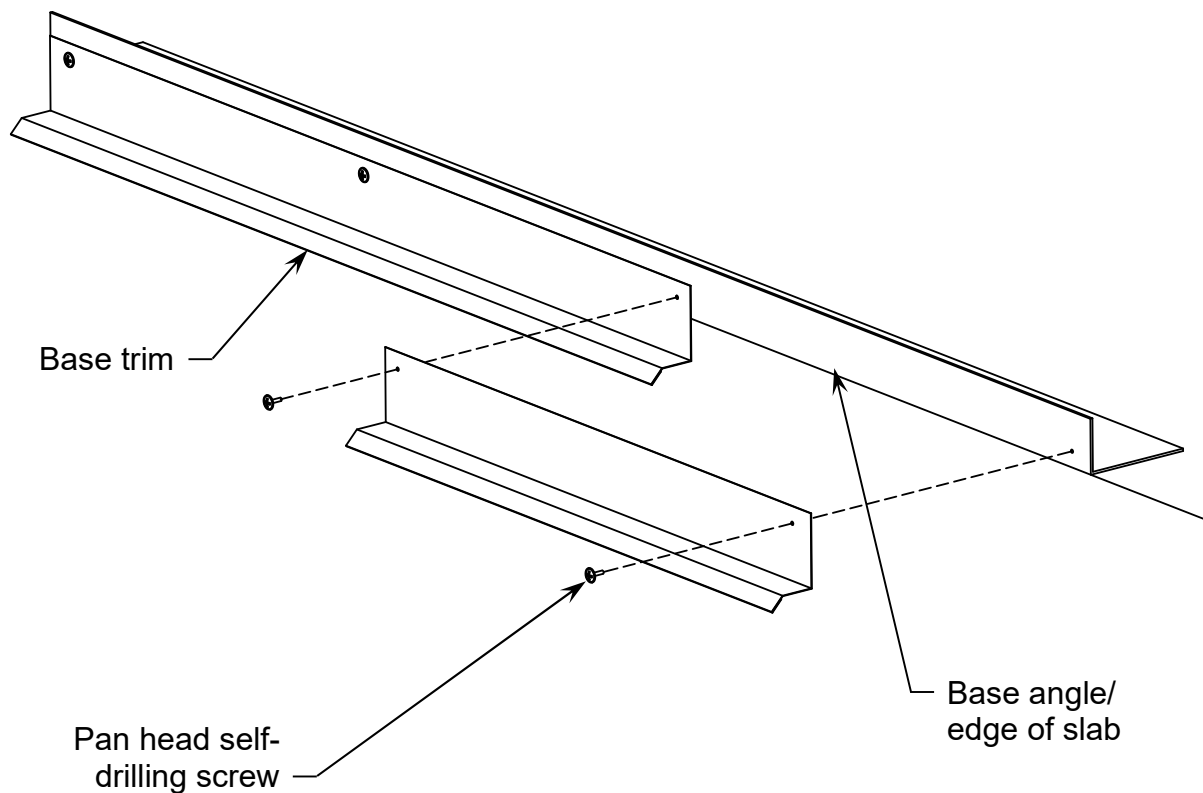
Last updated 4/13/2023

### Base Trim

Base trim, if it comes with your building kit, is installed at the bottom of all wall sheeting at the edge of the slab.

To install base trim, align the trim so that the bottom leg of the trim falls below the edge of the slab the desired amount, and then attach the trim to the lowest available framing member using pan head framing screws installed every 24". In the detail below, base trim is installed to base angle, though a bottom girt could be used instead.

Take care that the base trim is level, or your wall sheeting may not install correctly.

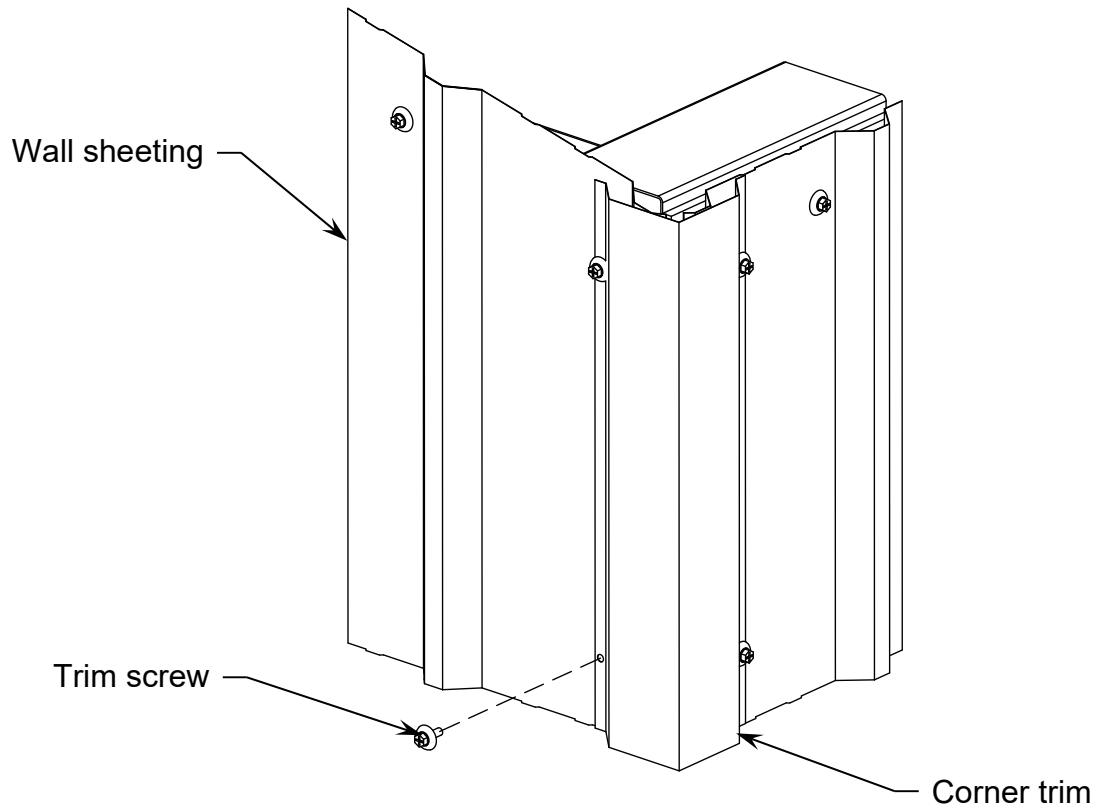




## Corner Trim Installation

Corner trim is installed at all four corners of the building and runs from the bottom of the wall sheets to the top of the sidewall sheets. Corner trim is attached to the wall sheets using trim screws through the edge of the trim into the wall sheets. Note that in some cases more than one piece will be needed to span the entire length of the sidewall sheet. When this is case, simply install the bottom piece of corner trim first and then overlap and install other pieces above that. If corner trim must be cut to fit, use metal snips.

Please see the illustration below as a reference on how to install corner trim.





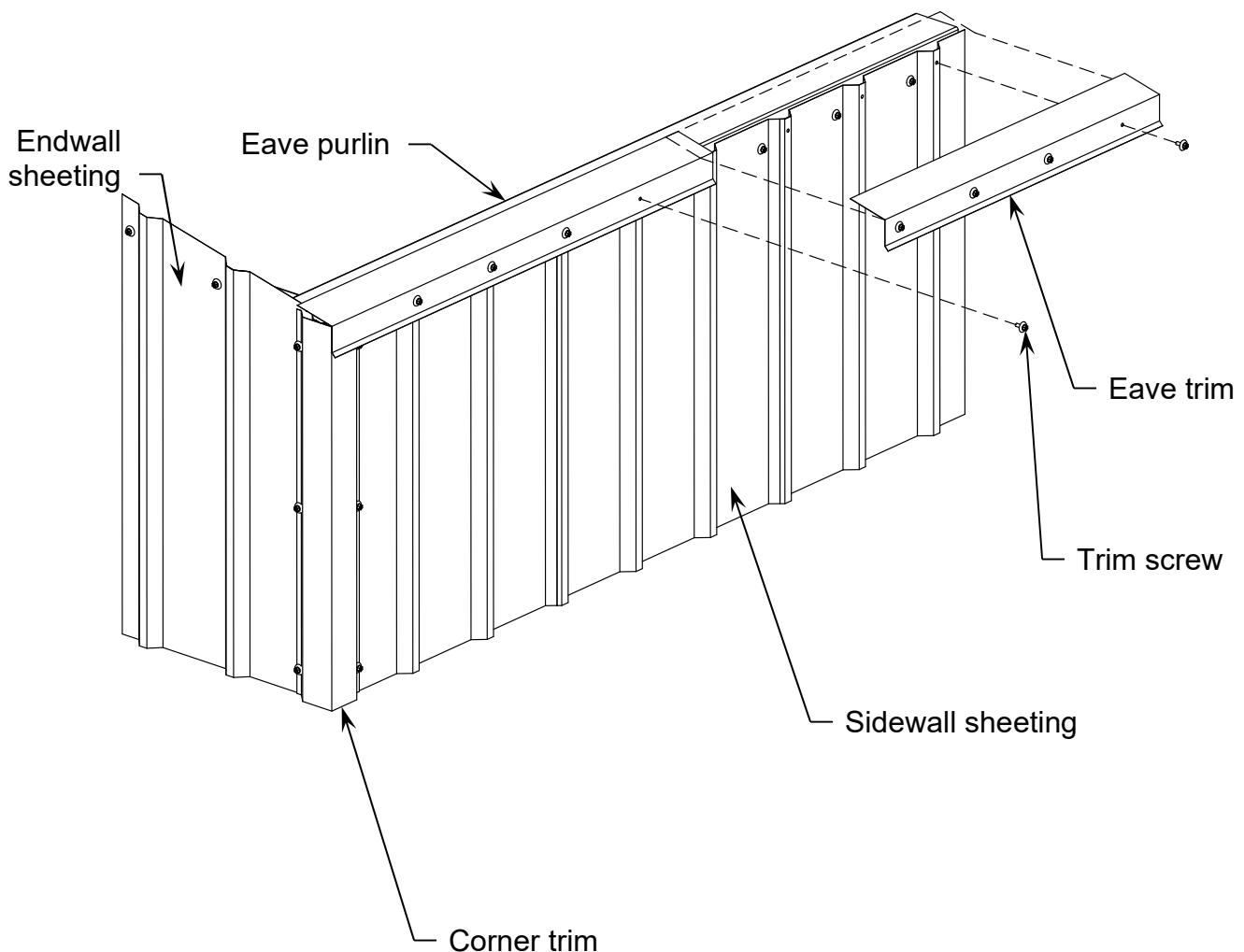
## Eave Trim Installation

Eave Trim is installed along the top of the sidewall sheets. It is connected to the face of the sidewall sheets at every high rib using trim screws. Eave trim will run the entire length of the sidewall, from the edge of the corner trim to the opposite edge. Simply overlap eave trim pieces to span this distance, trimming any pieces as necessary using metal snips.

Note that pan head screws can be installed from the top of the eave trim into the eave purlin during installation, to hold the eave trim in place during roof sheeting installation. These can be installed every 48". These screws are not shown in the illustration below.

Note that if you have a gambrel-style roof, eave trim will be installed at the top of the lower section of roof sheeting, and will be installed in a similar manner as described above, attaching eave trim to the lower section of roof sheeting using trim screws.

Please see the illustration below as a reference for installing eave trim.





## Box-style (Pre-Hung) Gutter Installation

*Note: Gutters are not designed for use in snow areas and will need additional support to withstand the snow loads if used.*

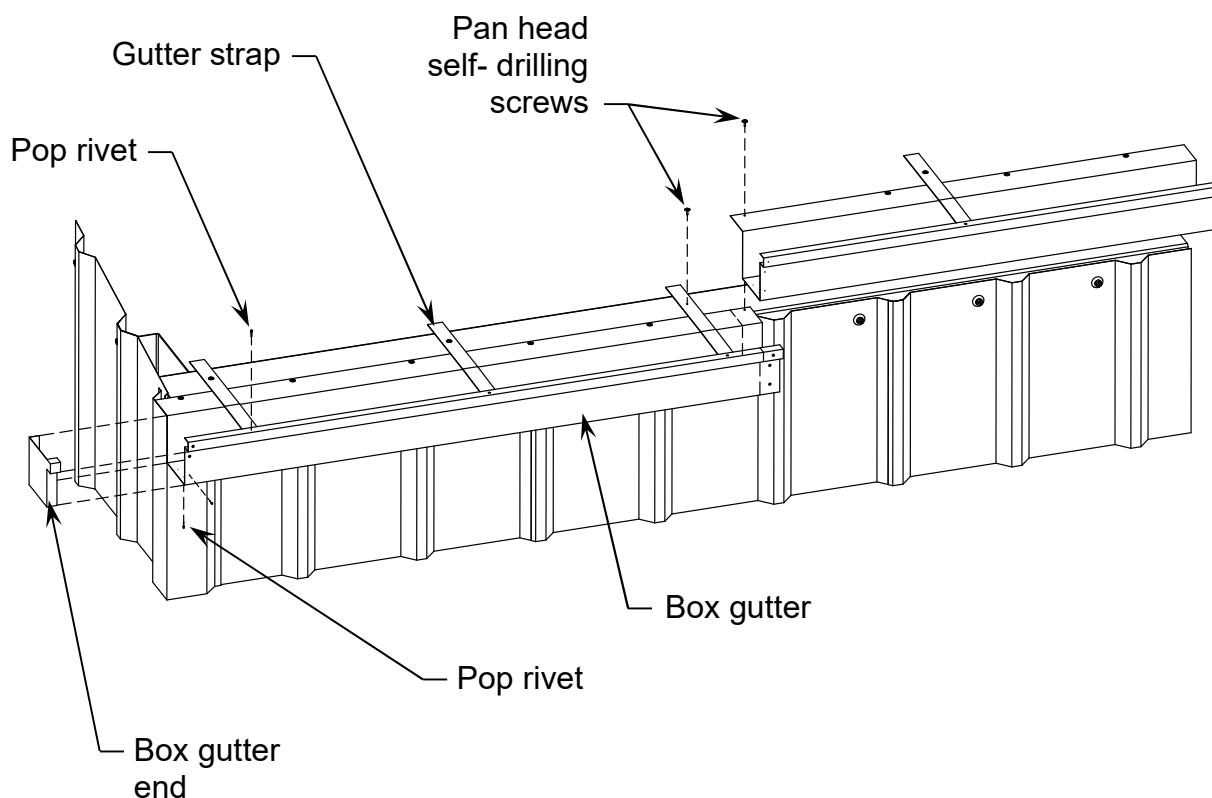
Box gutters are installed along the top of the sidewall sheets. They will need to be installed before installing the roof sheets. They are connected on the top to the eave purlin using pan head self-drilling screws. These screws should be installed every 48". Gutter strap will need to be installed every 24" as well. This connects at one end to the eave purlin and connects to the edge of the gutter. Note that gutter strap will be connected to the eave purlin using pan head self-drilling screws and will connect to the gutter using pop rivets.

Gutters will run the entire length of the sidewall, from the edge of the corner trim to the opposite edge. You will need to be fit gutters together to run the necessary distance, trimming any pieces as necessary using metal snips.

After installing all gutters, gutter pieces will need to be sealed together using silicone caulking (to prevent leakage) and secured using pop rivets. To install a pop rivet, first drill a hole the size of your pop rivet through both materials. Then, insert pop rivet through both holes and set pop the rivet using a rivet gun.

Note that the box gutter end will be installed, at the end of the entire length of gutter in the same manner. It will fit just inside the end of the gutter. It will need to be set, sealed with silicone caulking and secured using pop rivets.

Please see the illustration below as a reference for installing box gutters.





## **Sculptured-style (Post-Hung) Gutter Installation**

*Note: Gutters are not designed for use in snow areas and will need additional support to withstand the snow loads if used.*

Sculptured gutters are installed along the top of the sidewall sheets and just under the edge of the roof sheets. They will need to be installed after installing the roof sheets.

First, one edge of the gutter will be attached to the roof sheets by installing trim screws adjacent to every high rib through the roof sheet and into the gutter's inside lip.

Next, install the gutter hanger. This hanger, which fits over the high rib of the roof sheets, is attached using a trim screw, and it will extend from the roof sheet to the far edge of the sculptured gutter. (This will cause gutter hanger to extend into the gutter.) Note that gutter hangers will need to be installed per manufacturer's recommendation, typically every 24" or 36". In most cases, this will be at every other high rib of the roof sheeting; however, this can vary depending on roof sheeting type.

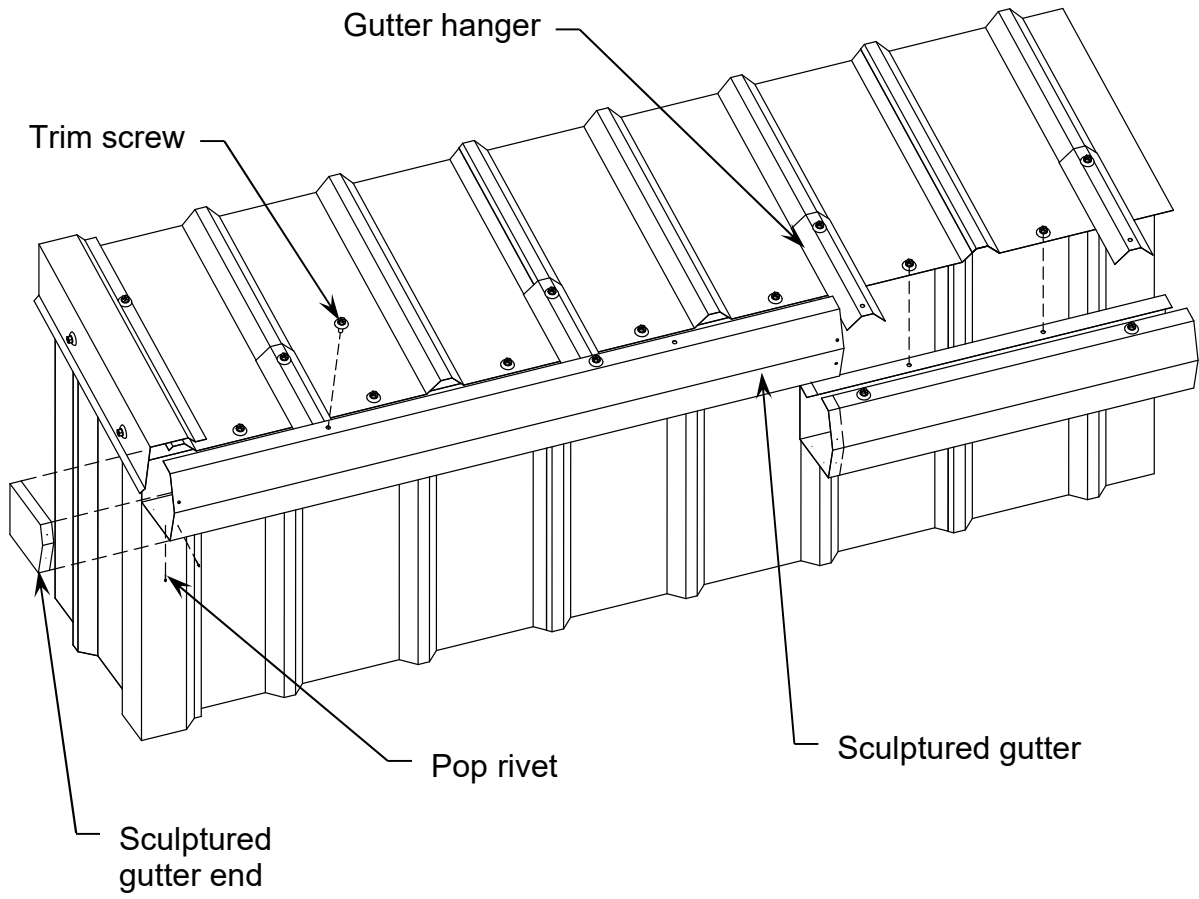
After installing gutter hanger, connect outer lip of gutter to gutter hanger using trim screws.

Gutters will run the entire length of the sidewall, from the edge of the corner trim to the opposite edge. You will need to be fit gutters together to run the necessary distance, trimming any pieces as necessary using metal snips.

After installing all gutters, gutter pieces will need to be sealed together using silicone caulking (to prevent leakage) and secured using pop rivets. To install a pop rivet, first drill a hole the size of your pop rivet through both materials. Then, insert pop rivet through both holes and set pop rivet using a rivet gun.

Note that the sculptured gutter end will be installed, at the end of the entire length of gutter, in the same manner. It will fit just inside the end of the gutter. It will need to be set, sealed with silicone caulking and secured using pop rivets.

Please see the illustration on the following page as a reference for installing sculptured gutters.





## Gutter Downspout Installation

After installing the gutters, you will need to install gutter downspouts. Gutter downspouts are connected to the gutter using pop rivets and are connected to the wall sheets using gutter downspout brackets.

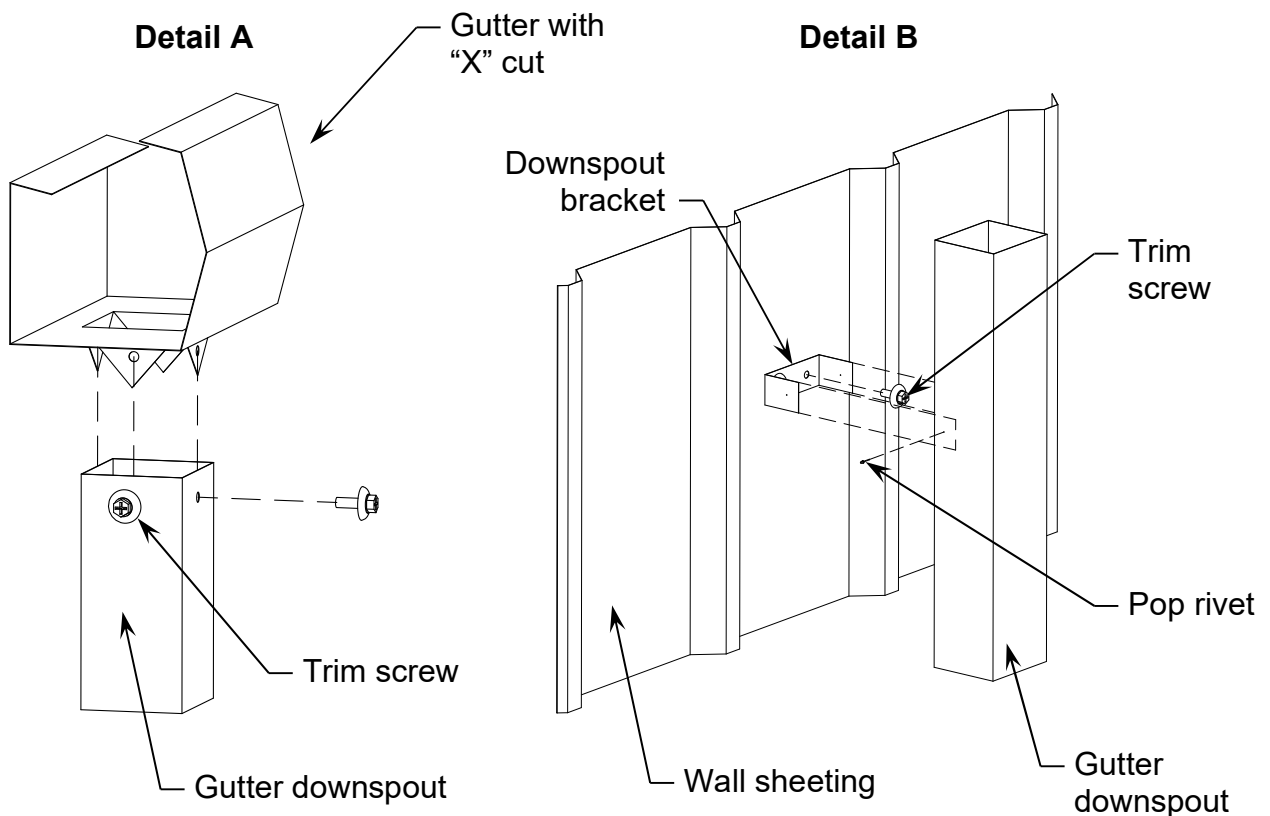
Start by cutting an “X” in the gutter itself in the shape of the gutter downspout. Make sure that this opening will be positioned in the middle of the trough of the wall sheeting in the middle of two high ribs. You can use the gutter downspout to trace the outline before cutting. After an X is cut, fold down all four tabs, and connect the downspout to the tabs using trim screws. This is illustrated in Detail A below.

Next, attach the downspout to the wall sheeting. First, cut a downspout strap in half and fold into a u-shaped bracket. Attach this bracket using two trim screws to the wall sheeting in the middle of the trough of the wall sheeting between two high ribs. Then attach the downspout to bracket using pop rivets. Before securing, ensure that gutter downspout is plumb. This is illustrated in Detail B below.

If a single piece of downspout does not run the entire length of the sidewall, splice together two pieces of downspout and install an extra bracket.

If necessary, use silicone caulking to seal any gaps in gutter and gutter downspout.

Please see the illustrations below as a reference for installing gutter downspouts.



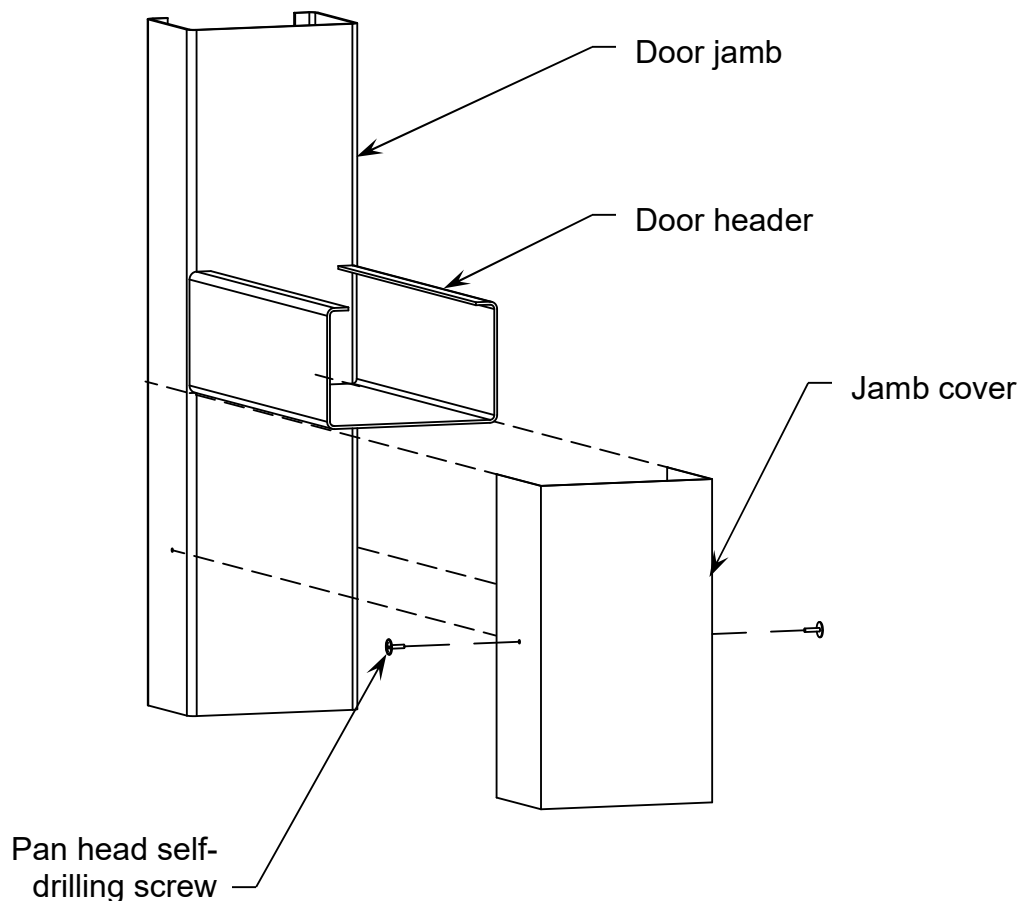


## Head/Jamb Cover Installation

Head/jamb cover is installed on the door jambs and headers of rollup and sectional doors. This piece of trim simply wraps the jamb in your trim color. The head/jamb cover is installed using pan head self-drilling screws on both the front and back of the door jambs and door header. Head/jamb cover will run from the slab to the bottom of the door header and run the length of the door header.

Note that the head/jamb cover will need to be cut to length using metal snips. If a single piece of trim is not long to span the needed distance, simply overlap two pieces of trim to span the necessary distance.

Please see the illustration below as a reference for installing the jamb cover. Head cover is installed in the same manner, except is installed over the door header instead of the door jamb.







## Head/Jamb Trim Installation

Head/jamb trim is installed around the edge of all doors and windows. It is installed using a pan head self-drilling screw, connecting the head/jamb trim to the door jambs, header and sill (if installing around window). Note that all head/jamb trim will need to be cut to length. This can be done using metal snips. If you require a length more than the stock length of head/jamb trim, you will need to splice together two different pieces, install as needed and caulk using silicone caulking to prevent water leakage around door.

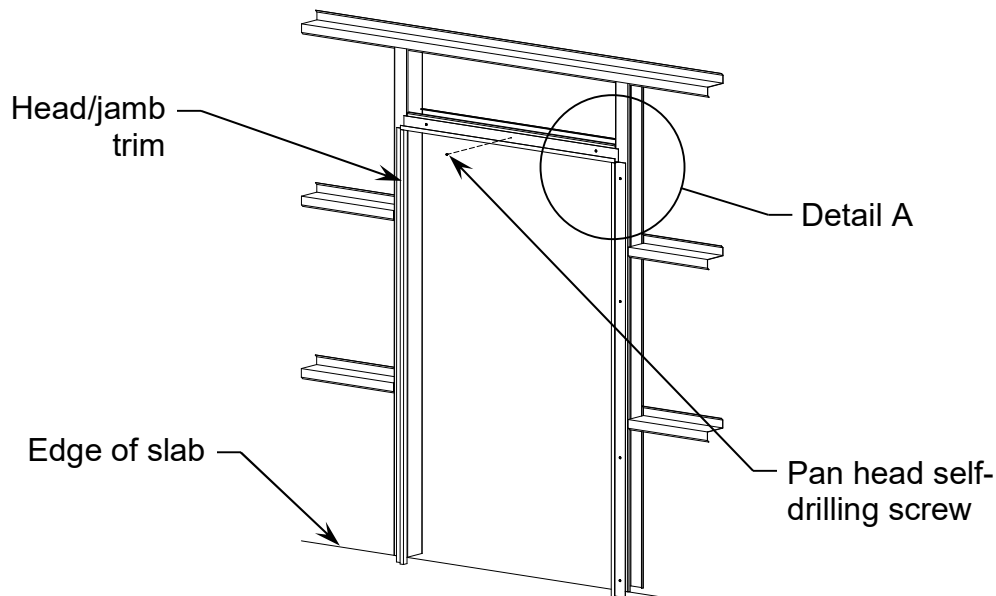
When installing the top section of head/jamb trim, the length of the piece should be cut to 2" longer than the length of the door header, so that there is a 1" overlap on each side.

When installing the side sections of head/jamb trim around doors, the pieces will need to be cut so that they run from the bottom edge of the door header to the bottom of the wall sheets (typically 1" below the edge of the slab).

When installing the side sections of head/jamb trim around windows, the pieces will need to be cut so that they run from the bottom edge of the window header to 1" past the bottom of the window sill.

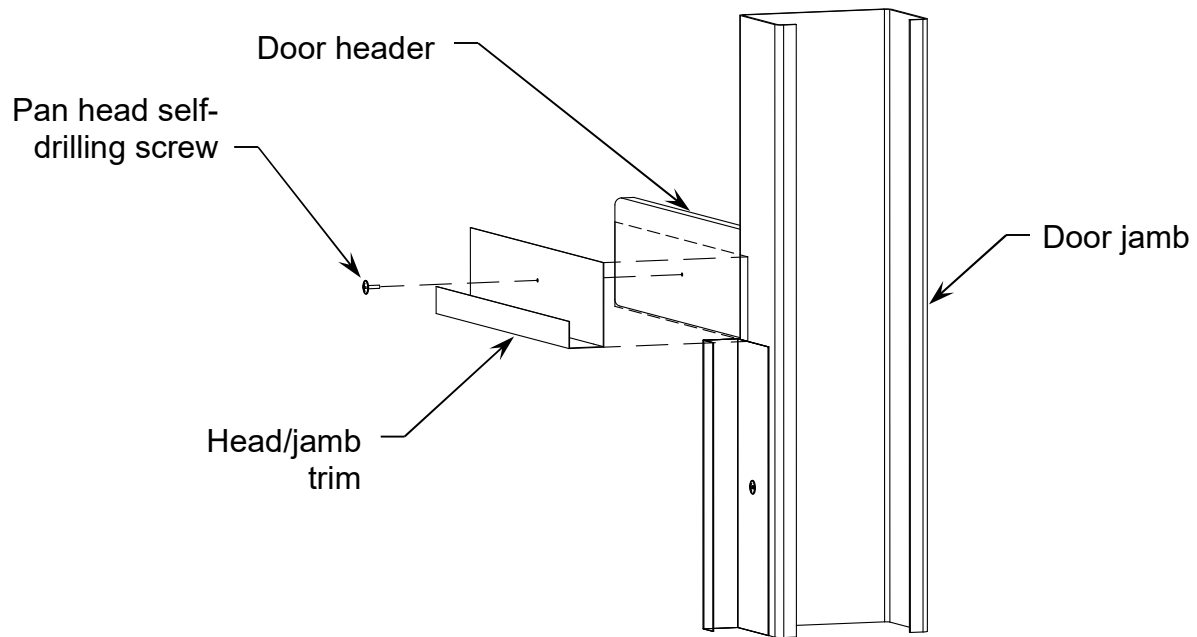
When installing the bottom section of head/jamb trim around windows, the piece will need to be cut to be the same length as the window header and window sill.

Please see the illustrations below and on the following page as a reference for installing head/jamb trim. Note that an overview for installing head/jamb trim around a window is not shown. However, it is similar to installing around a door, except with an extra piece of head/jamb trim on the bottom. Detail B below shows the installation of the bottom piece of head/jamb trim.

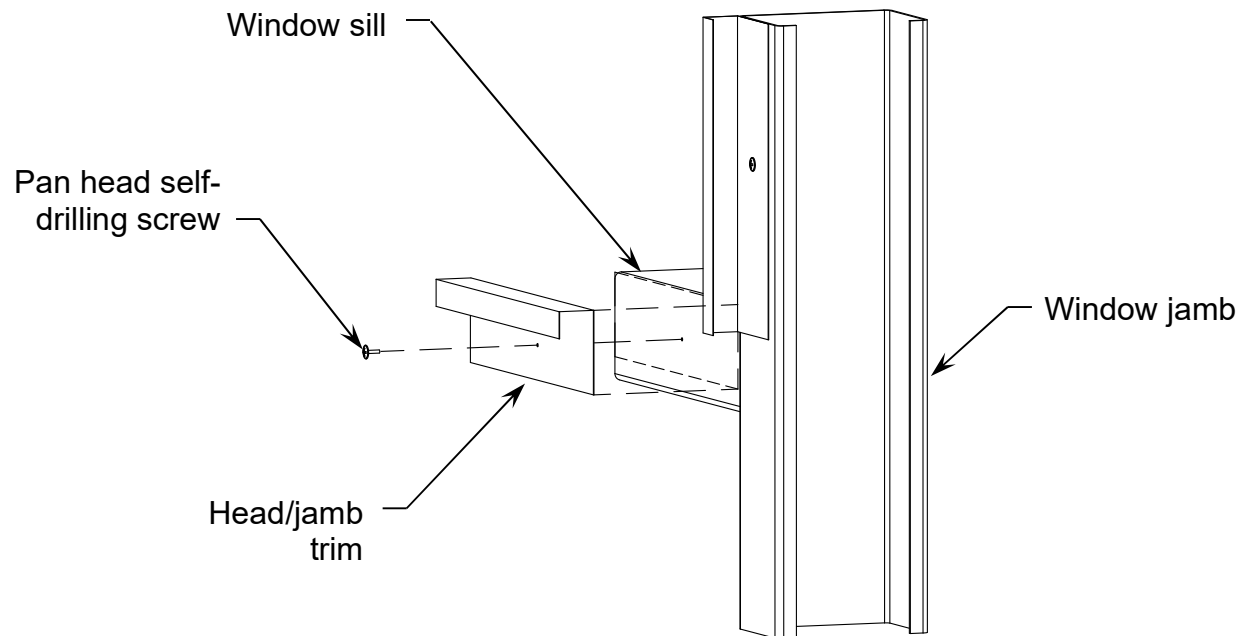




### Detail A



### Detail B





## Pitch Break Trim Installation

Pitch break trim is installed at the top of the leanto roof sheeting, where the leanto roof meets the main building, and runs the entire length of the leanto. Simply overlap pitch break trim pieces to span this distance, trimming any pieces as necessary using metal snips.

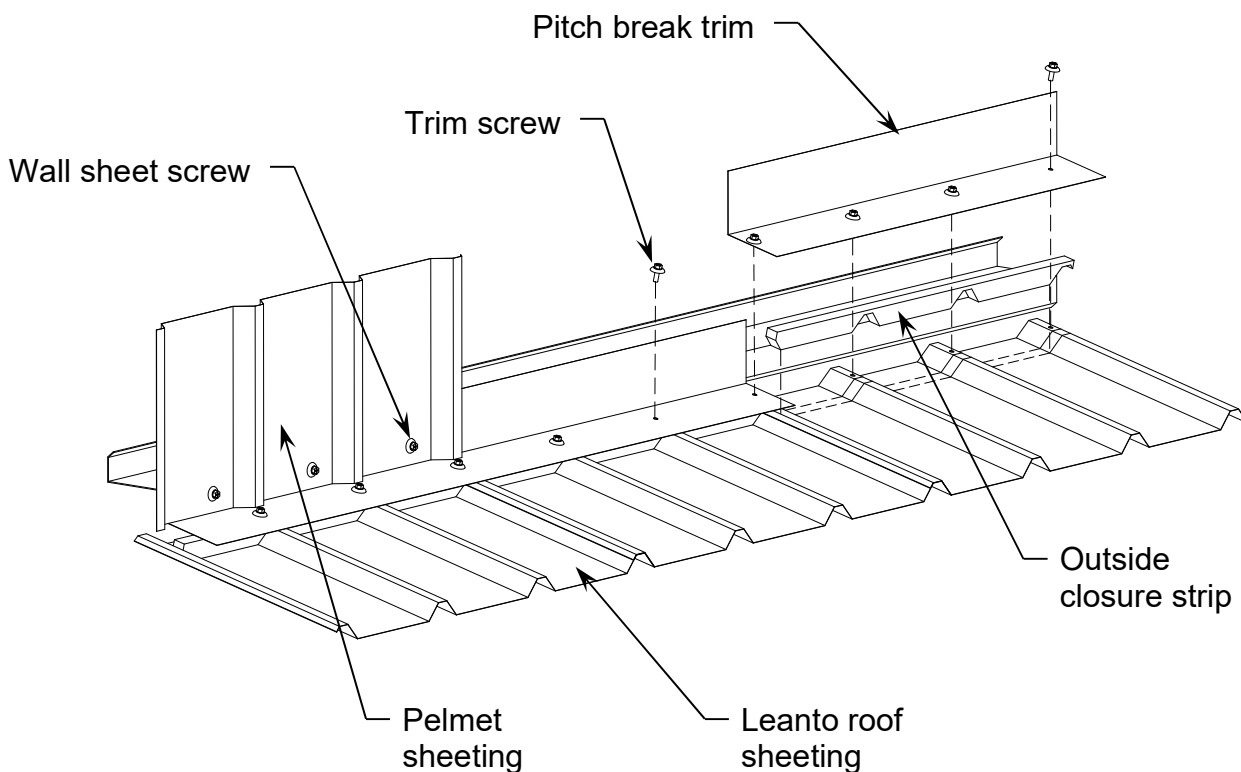
If your building kit comes with outside closure strips, they should be installed prior to installation of pitch break trim. To install, attach closure strip to the leanto roof sheets, just below the top end of the leanto roof sheets. These will be installed along the entire length of the leanto. To attach, remove the protective strip from the back of the closure strip, place and stick in desired location.

If your building comes with inside closure strips for the pelmet sheeting, closure strips will be installed on the top section of the pitch break trim, underneath the pelmet sheeting.

Note that pelmet sheeting will be attached above the pitch break trim and will often have insulation and inside closure strips, just as normal wall sheeting attaches to the bottom of the building.

Pitch break trim is installed using trim screws attached to every high rib on the leanto roof sheets.

Please see the illustration below as a reference for installing pitch break trim.



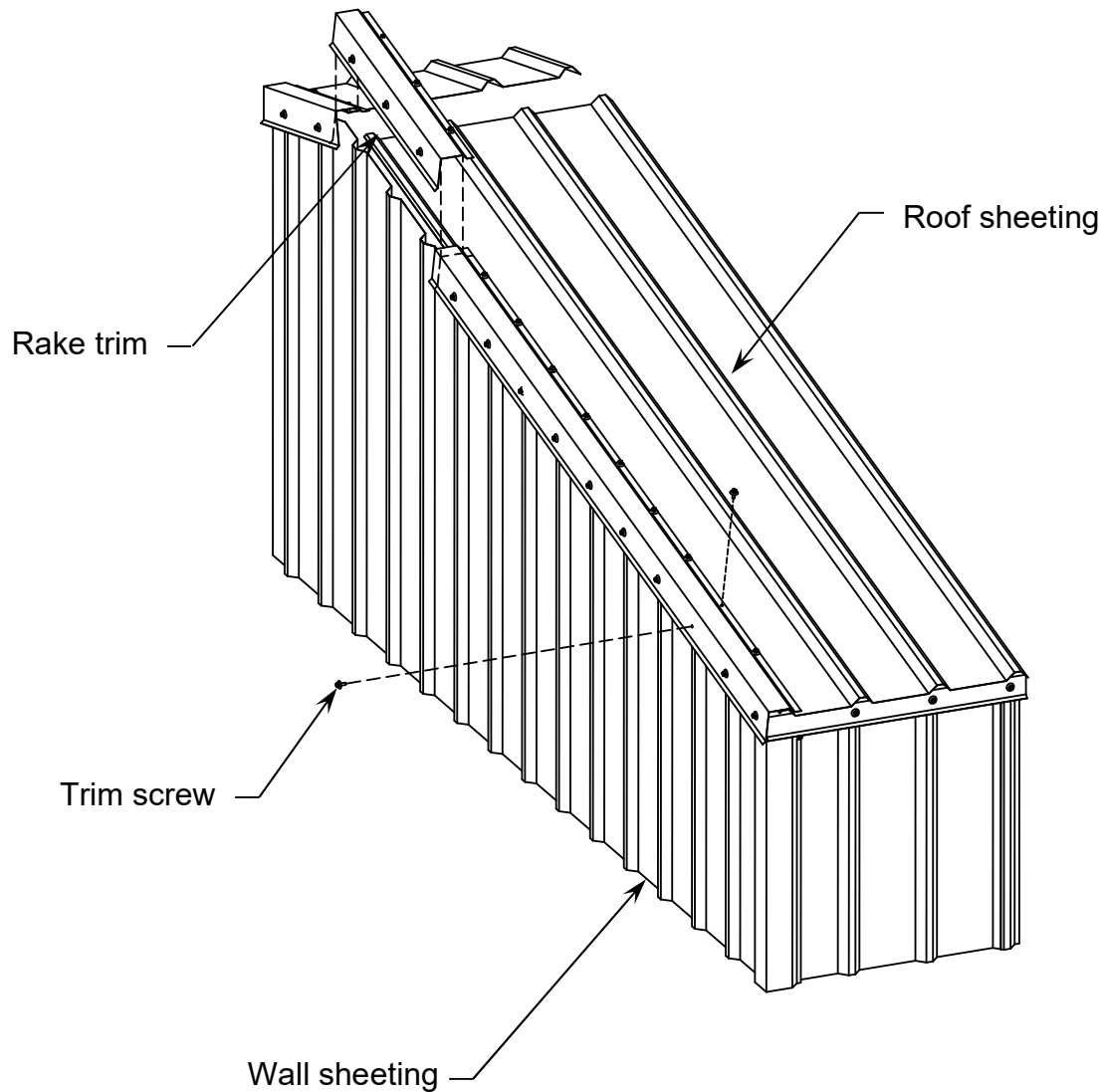


## Rake Trim Installation

Rake trim is installed at the top of the endwall sheets on both sides of the building. It is connected on the top to the roof sheets using trim screws (which are installed from the lip of the rake trim into the trough of the roof sheets, as shown below) and to the face of the endwall sheets at every high rib using trim screws. Rake trim will run the entire length of the end, from the end of one roof sheet to the apex and back down the opposite side. Simply overlap rake trim pieces to span this distance, trimming any pieces as necessary using metal snips.

Note that you will have either normal or sculptured rake trim. Though normal rake trim is illustrated below, sculptured trim is installed identically with screws in the same locations. Please see building order for specific trim type.

Please see the illustration below as a reference for installing rake trim.





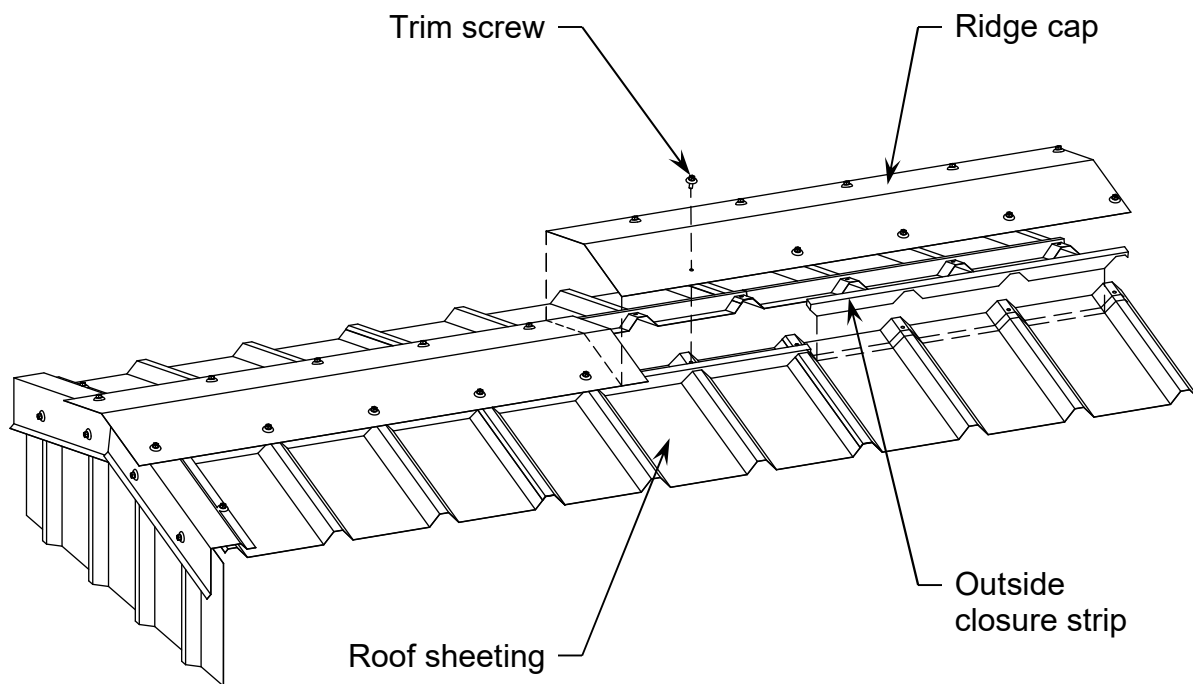
## Ridge Cap and Closure Strip Installation

Ridge cap runs along the ridge of the building. Ridge cap is installed from one endwall to the other and usually sticks over the rake trim 1-3", depending on builder preference. Simply overlap rake trim pieces to span this distance, trimming any pieces as necessary using metal snips.

If your building kit comes with outside closure strips (either normal or vented), they should be installed prior to installation of ridge cap. To install, attach closure strip to the roof sheets just below the top end of the roof sheets. These will be installed along the entire length of the building. To attach, remove the protective strip from the back of the closure strip, place and stick in desired location.

Ridge cap is installed using trim screws attached to every high rib in the roof sheets.

Please see the illustration below as a reference for installing ridge cap.





## **Roof Sheeting, Skylight, Insulation and Closure Strip Installation**

*This section applies to the installation of Classic Rib, PBR, and IC-72 roof sheeting. If installing another type of roof sheeting panel, such as Vertical Seam sheeting, please refer to manufacturer's installation instructions.*

When installing roof sheeting, insulation and inside closure strips you should begin on the side opposite the direction of the prevailing wind. Thus, if the prevailing wind comes from the east, roof sheeting should begin on the west side of the building.

If you have insulation, it will need to be installed before installing roof sheets or inside closure strips. Insulation is installed between the roof purlins and the roof sheets.

For instructions on installation of insulation, please see manufacturer's instructions, which are supplied with the insulation.

If you are installing a vented ridge cap, install insulation from the eave purlin to the highest roof purlin on each side of the roof. Thus, there will be no insulation between the two highest roof purlins. If not installing a vented ridge cap, install insulation from each eave purlin to either of the highest roof purlins. Thus, the insulation from one side will run over the apex to the roof purlin. This will ensure that insulation covers the entire roof.

After installing the first insulation sheet, it is recommended that you install your first roof sheet and inside closure strip, if applicable. Continue this process until entire roof sheeting is complete. Note that because insulation sheets and roof sheets have different widths, there will be a different number of insulation sheets and roof sheets installed on the roof of the building. Please take this into account when installing insulation and roof sheeting.

Before installing roof sheet, place inside closure strip on the eave purlin (if you have insulation, this will be placed on the insulation) in a location where roof sheet will be placed. To attach, remove the protective strip from the back of the strip, place and stick in desired location.

Note that first roof sheet should begin at the edge of the endwall. Also, you will notice that one edge of the roof sheet has a longer lap than the other side. The side with the short lap will be installed so that it lines up with the edge of the endwall. Note that this will allow the sheets to easily overlap. For exact information on sheet overlap, see roof sheeting detail on engineering plans.

Roof sheets are installed using roof sheeting screws. These screws are installed at high ribs at every roof purlin and at the eave purlin. Note that the screws will be installed at every high rib or every other high rib, per the engineering plans.

At the top purlin, if roof screws will be covered up by the ridge cap (within 10" or 5-1/2" of apex depending on ridge cap size), do not install this line of screws on the high rib.



Instead, install these adjacent to the high rib, using wall screws instead of roof screws. This process for installation is illustrated below. When installing screws, it is recommended that a straight edge or chalk line is used, so all screw lines are even.

If your building is in an area of high wind and you are using closure strips, you may want to install extra roof screws at the eave purlin in the middle of the each sheeting pan, to provide extra support for the roof sheet. However, although this will ensure the closure strips will not ever become dislodged, this method will increase the chances of water leakage in the pan of the roof sheet.

Before installing a roof sheet, it is recommended that you tie a string between the apexes at each endwall. This will be your guiding line for installing your roof sheets, so that the top of your roofs sheets are even. When this happens, the bottom of your sheets should come out even as well. Note that if you try to line up the sheets by the bottom edge, this can lead to the sheets themselves being uneven above as sheets have a tendency to shift. Note that when you line up your roof sheets near the apex of your building, roof sheets will not run entirely up to the apex. Instead, they will be 5-7" short of the apex, to allow for any venting. Note that this gap will be covered by ridge capping. Also, when installing roof sheets, they will run past the edge of the wall and/or eave trim. This distance will vary by preference, but is usually 1-3". If you are installing gutters, make this distance 1".

When you are done installing all sheets on one side of the roof, it is likely that your last sheet will need to be cut so it does not stick past the edge of the building. This can be cut using metal snips or electric shears. The sheet should be cut so edge of sheet lines up with building corner.

Note that skylights are installed similarly to roof sheets. However, skylight sheets may not span from the eave to the apex of the roof. Instead, skylights will run from the apex of building and extend as far as length of skylight sheet allows. A shorter section of roof sheeting will need to be installed below this skylight sheet, from skylight sheet to the eave. Note that installation will be similar to normal roof sheets, with roof screws at high ribs installing to roof purlins. Note that a skylight sheet and a roof sheet installed below must overlap on a roof purlin, attaching both skylight and roof sheet to that purlin using roof screws.

As you sheet the roof, you can install the skylight in place of the roof sheet, or, if the skylight does not span the entire length of the roof, you can install the skylight after all other roof sheets are installed.

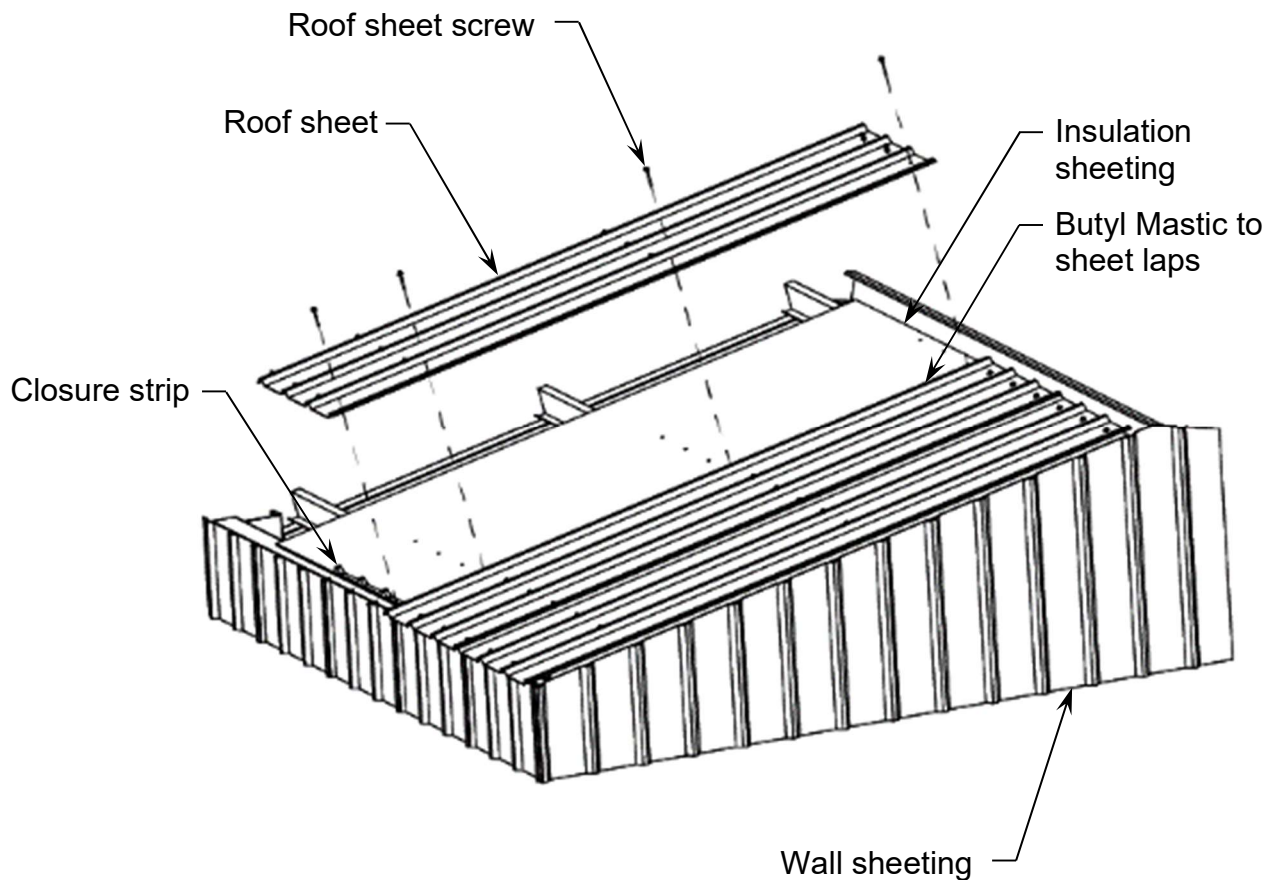
When installing skylights, make sure that the skylight sheet overlaps on top of the sheet that will be installed below it, so rain water will not leak into the building. Make sure to take care when installing skylight screws, to prevent splintering of skylight. Roll mastic or caulking is recommended to be used around the edge of the skylight to fully seal the skylight sheet to the normal roof sheets.



If installing roof sheets on the building with leantos that have a drop from the main building roof to the leanto roof, leanto roof sheeting will run from the edge of the main building to just past the edge of the leanto. If there is no drop, roof sheets will need to run from the apex of the building to just past the edge of the leanto. Installation procedures are the same as described above.

Please see the illustration below as a reference for installing roof sheets.

For exact information on installation of roof sheets, including screw locations and sheet overlap, please see the engineering plans.







## Wainscot Installation

Wainscoting allows your building to have a transition from one color of wall sheeting to another at a height of your choosing. When you have wainscot on your building, please follow the steps below to ensure

Note that you will need to reference the sections on girt installation and wall sheeting installation. Insulation and closure strips are not shown in the illustration in this section.

Please see the illustrations on the following page as a reference for installing wainscot.

### **Step 1: Install wainscot girt**

When installing girt in the building, make sure to install a girt at the wainscot height. The web of the girt should fall exactly at the height of the wainscot. Make sure that the outside flange of the girt points downwards.

### **Step 2: Install angle on top of wainscot girt.**

After the girt is installed, attach a standard angle to the top of the girt. Attach with framing screws every 48”.

### **Step 3: Install sheeting below.**

Per standard wall sheeting instructions, install the section of sheeting below the wainscot girt. The bottom of the sheeting will attach to the base angle or bottom girt, and the top end of the sheeting will attach to the flange of the wainscot girt. Make sure that all insulation and closure strips are installed properly before installing the sheeting.

### **Step 4: Place wainscot trim.**

Place wainscot trim at the transition point between the girt. This does not need to be secured yet, but the trim can be temporarily secured with tape, mastic, or a pancake head screw.

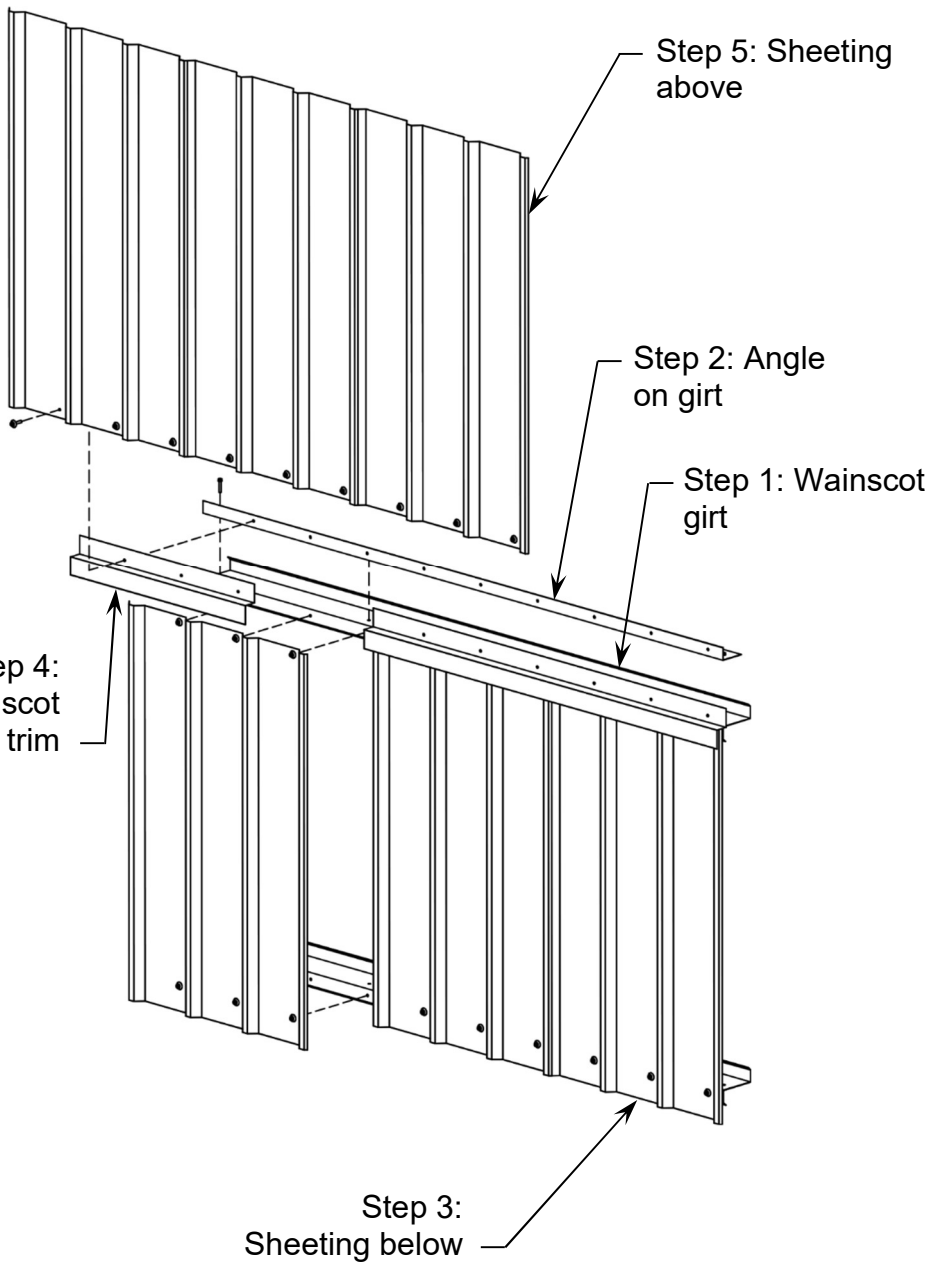
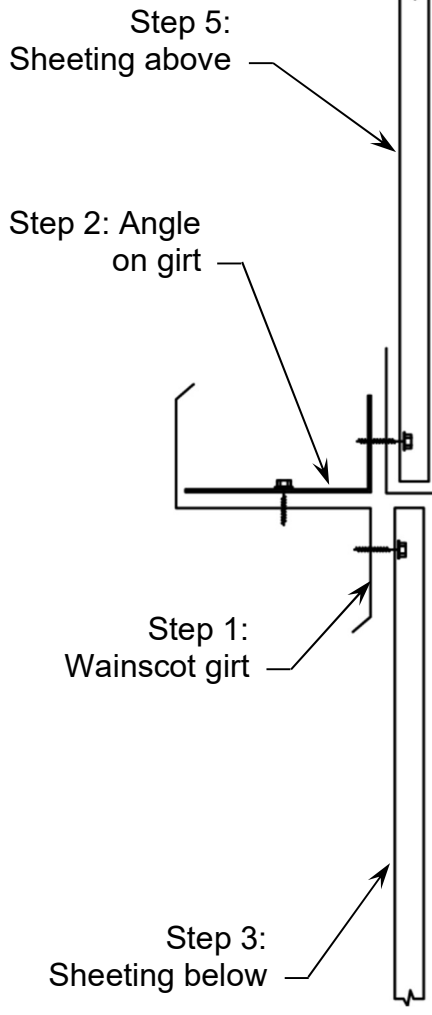
### **Step 5: Install sheeting above.**

Per standard wall sheeting instructions, install the section of sheeting above the wainscot girt. The bottom of the sheeting will attach the sheeting and wainscot trim to the angle on top of the wainscot girt. Make sure that all insulation and closure strips are installed properly before installing the sheeting.



**Profile View**

**3D View**





## Wall Sheeting, Insulation and Closure Strip Installation

When installing wall sheeting, insulation and inside closure strips you should begin from the back side of the building. This will make sheeting laps less obvious.

If you have insulation, it will need to be installed before installing wall sheets or inside closure strips. Insulation is installed between the wall girts and the wall sheets.

For instructions on installation of insulation, please see manufacturer's instructions, which are supplied with the insulation.

After installing the first insulation sheet, it is recommended that you install your first wall sheet and inside closure strip, if applicable. Continue this process until entire wall sheeting is complete. Note that because insulation sheets and wall sheets have different widths, there will be a different number of insulation sheets and wall sheets installed on the wall of the building. Please take this into account when installing insulation and wall sheeting.

Before installing wall sheet, place inside closure strip on side of slab or base trim (if you have insulation, this will be placed on the insulation) in a location where the wall sheet will be placed. To attach, remove the protective strip from the back of the strip, place and stick in desired location.

Wall sheets will run from 1" below the edge of slab to just below the top of the eave purlin (allowing for pitch of roof sheet).

Note that first sidewall sheet should begin at the corner of the building. Also, you will notice that one edge of the sidewall sheet has a longer lap than the other side. The side with the short lap will be installed so that it lines up with the corner. Note that this will allow the sheets to easily overlap. For exact information on sheet overlap, see wall sheeting detail on engineering plans.

Wall sheets are installed using wall sheeting screws. These screws are installed adjacent to the sheeting high rib at every wall girt, at door and window headers and sills and at the eave purlin. Note that the screws will be installed adjacent to every high rib or every other high rib, per the engineering plans.

This process for installation is illustrated below. Before attaching a sheet, use a level to make sure the sheet is plumb. Also, when installing screws, it is recommended that a straight edge be used, so all screw lines are level.

When you are done installing all sheets on one sidewall, it is likely that your last sheet will need to be cut so it does not stick past the edge of the building. It is best to cut this before installing. Use metal snips or electric shears and cut so edge of sheet lines up with building corner.



When installing wall sheets around doors, insulation and walls sheets must be cut to fit around these doors. This can be done with a nibbler or sawzall. Before installing, measure and cut sheet to fit around door or window. Once cut, door can be installed, and it will fit into already-installed head/jamb trim. This is illustrated below.

Please see the illustrations on the following page as a reference for installing sidewall sheets. Note that though not illustrated, installation of endwall sheets is similar to installation of sidewall sheets. However, when installing endwall sheets, install sheets and attach screws adjacent to every high rib and at every wall girt just as with the sidewall sheets. However, instead of attaching at eave purlin, screws will be installed adjacent to every high rib and into the stiffener lip of the columns and rafters. If corner and rake angle is installed, screws can be installed here instead of the stiffener lips.

Also note that after sheets are attached, tops of insulation and endwall sheets will need to be trimmed to match the roof slope.

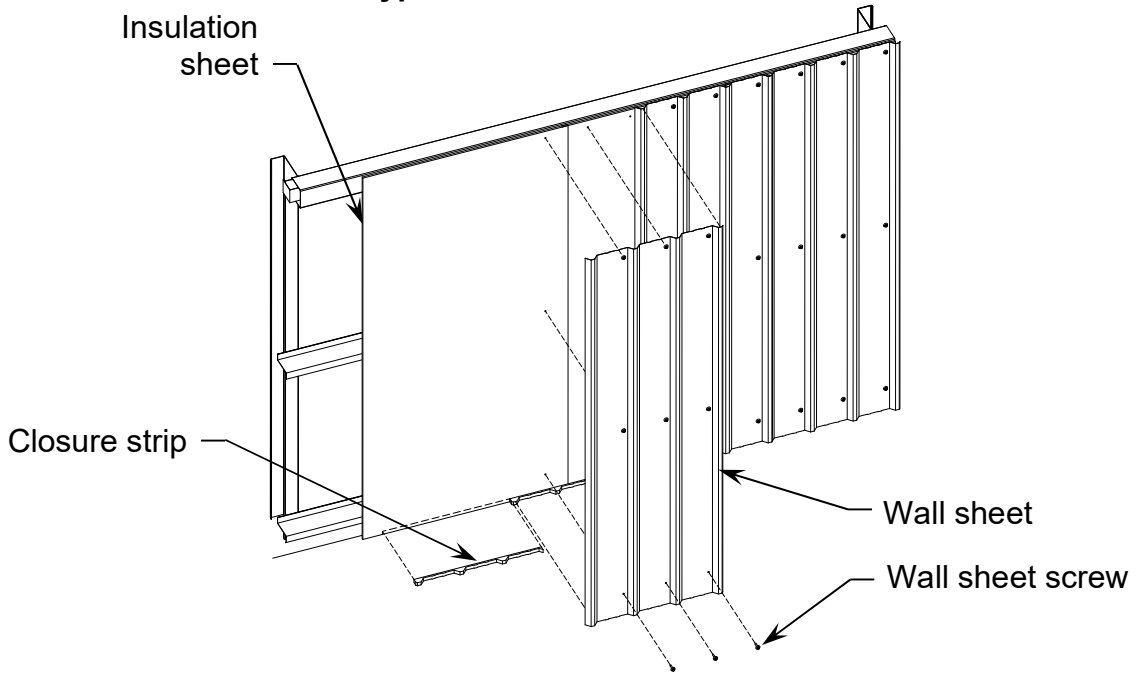
When installing wall sheeting on leantos, leanto sidewall sheets are installed just as normal sidewall sheets. Endwall sheets are installed the same as well, though endwall sheets will need to be trimmed to match the roof slope for the main building and the leantos and must match any drop in the leanto roof from the main building.

Note that pelmet sheeting is installed exactly like normal sidewall sheeting, except it runs from the eave purlin of the main building to the top of the pitch break trim and leanto roof sheeting. For more information, see Pitch break Trim Installation section.

For exact information on installation of wall sheets, including screw locations and sheet overlap, please see the engineering plans.



### Typical wall sheet installation



### Wall sheet installation around openings

