

Construction Package for Cold Formed Steel Building Sample



Table Of Contents

Building Layout Plan	3
Concrete Anchor Details	4
Portal Frame Sections	6
Roof Framing Plan	11
Girt Layout	14
Sheeting Layout	21

Construction Package Notes

This construction package is to be used in conjunction with the created order for the job. All lengths and piece marks of materials in this package will correspond to an item in the order. For example, on the Sidewall A girt layout, there will likely be an item with a piece mark of SGA1. This will correspond to a line item in the order with the piece mark of SGA1. Products that do not include a piece mark will be marked with the product code.

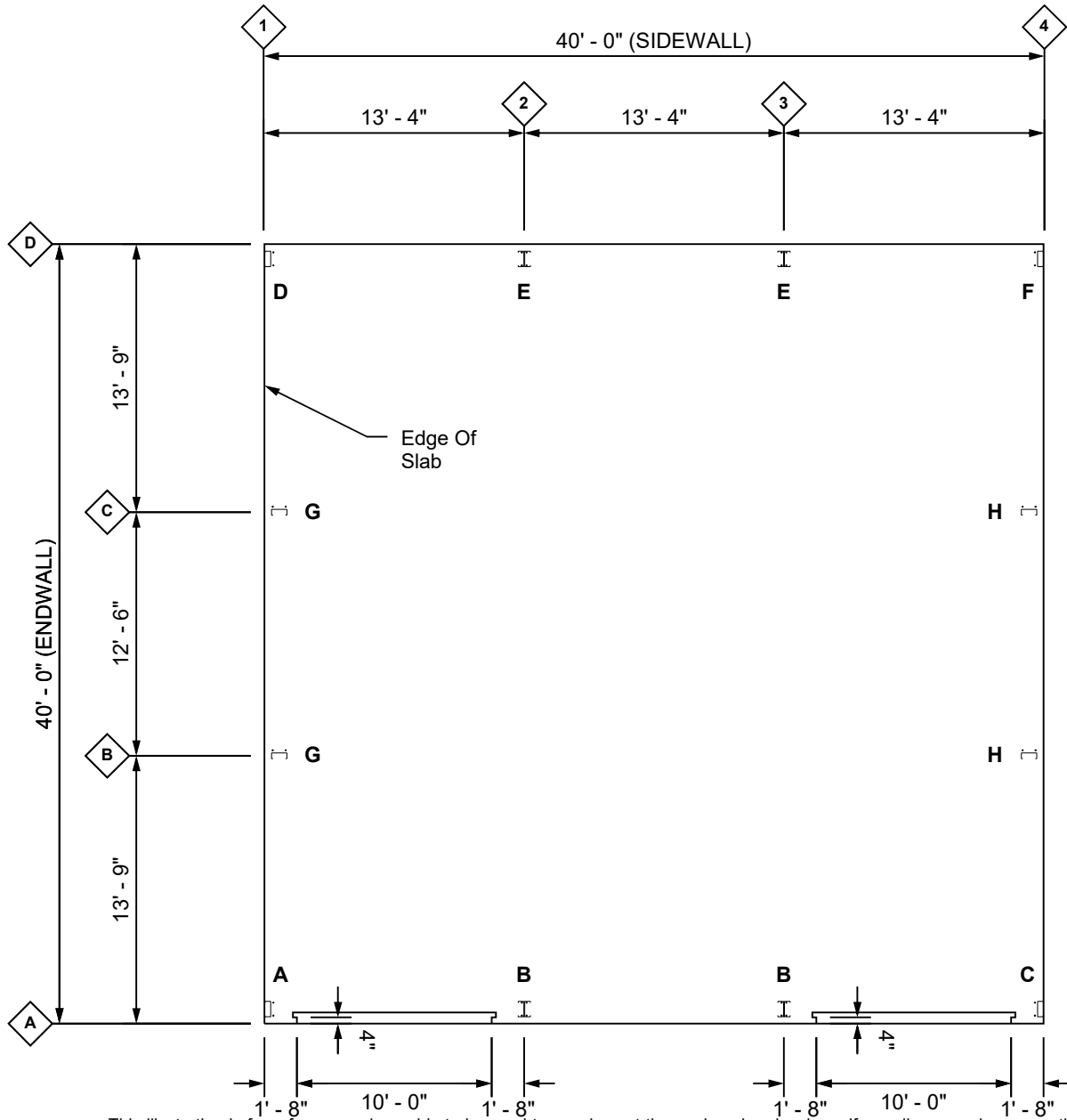
All girt layout and sheeting layouts drawings in this construction package are exterior views, and in these illustrations, components are drawn as if viewed from the outside of the building.

All drawings in this construction package are for reference only, and are to be used to supplement the engineering drawings. If any discrepancies occur, the engineering plans will always take precedence.

Construction Notifications

The following items will require non-typical installation that will take extra time and care during the construction process. Please take precautions.

- Some items in order will need to be cut to length on site. Please see 'Notes' column in order for full list of items to be cut and their lengths.



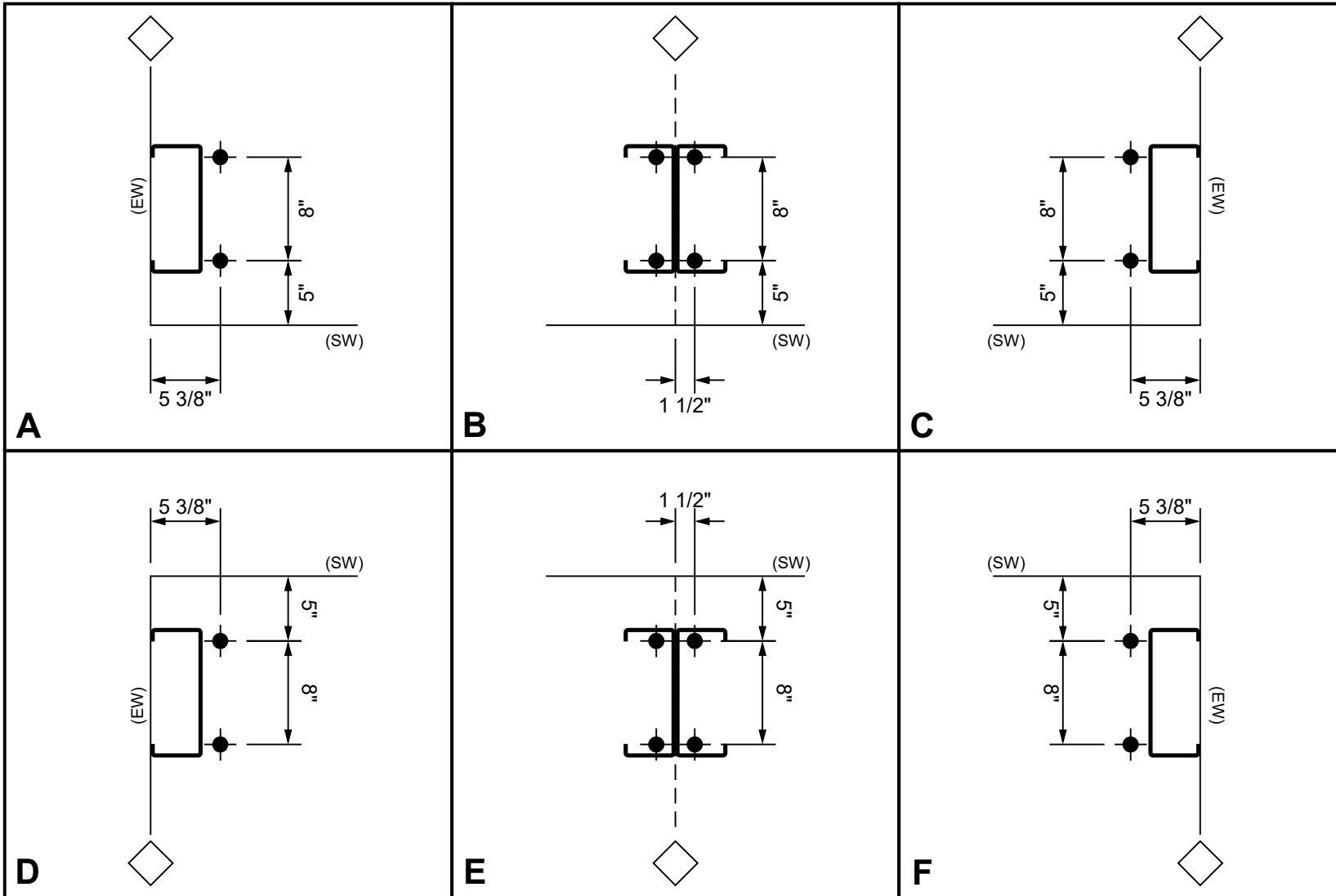
ANCHOR BOLTS		
QTY	LOCATION	DIA
32	MAIN FRAME	5/8"
12	DOOR JAMB	1/2"
6	GIRT FLANGE BRACING	1/2"

This illustration is for reference only, and is to be used to supplement the engineering drawings. If any discrepancies occur, the engineering plans will always take precedence.



Building Layout Plan



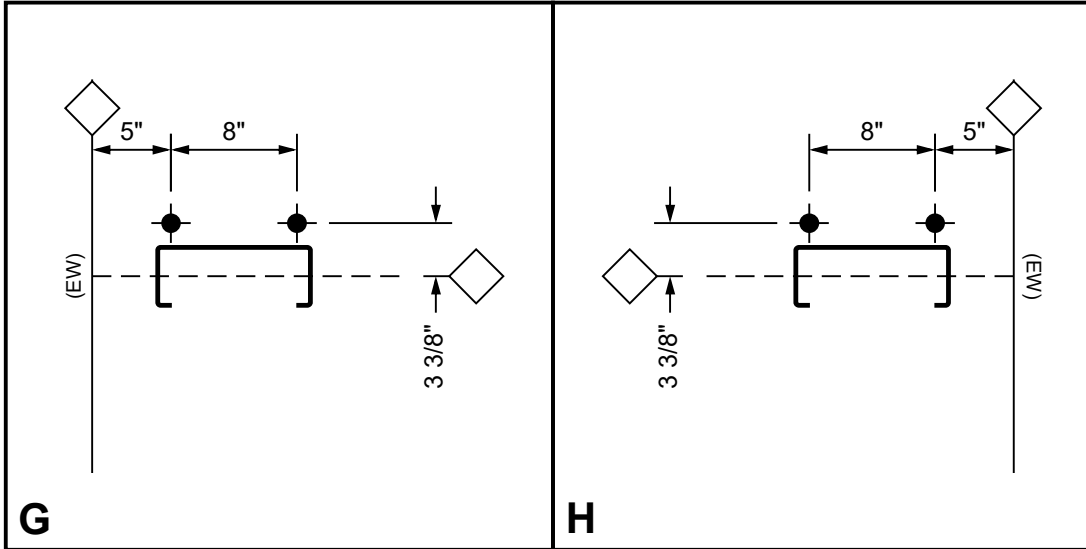


This illustration is for reference only, and is to be used to supplement the engineering drawings. If any discrepancies occur, the engineering plans will always take precedence.



Concrete Anchor Details





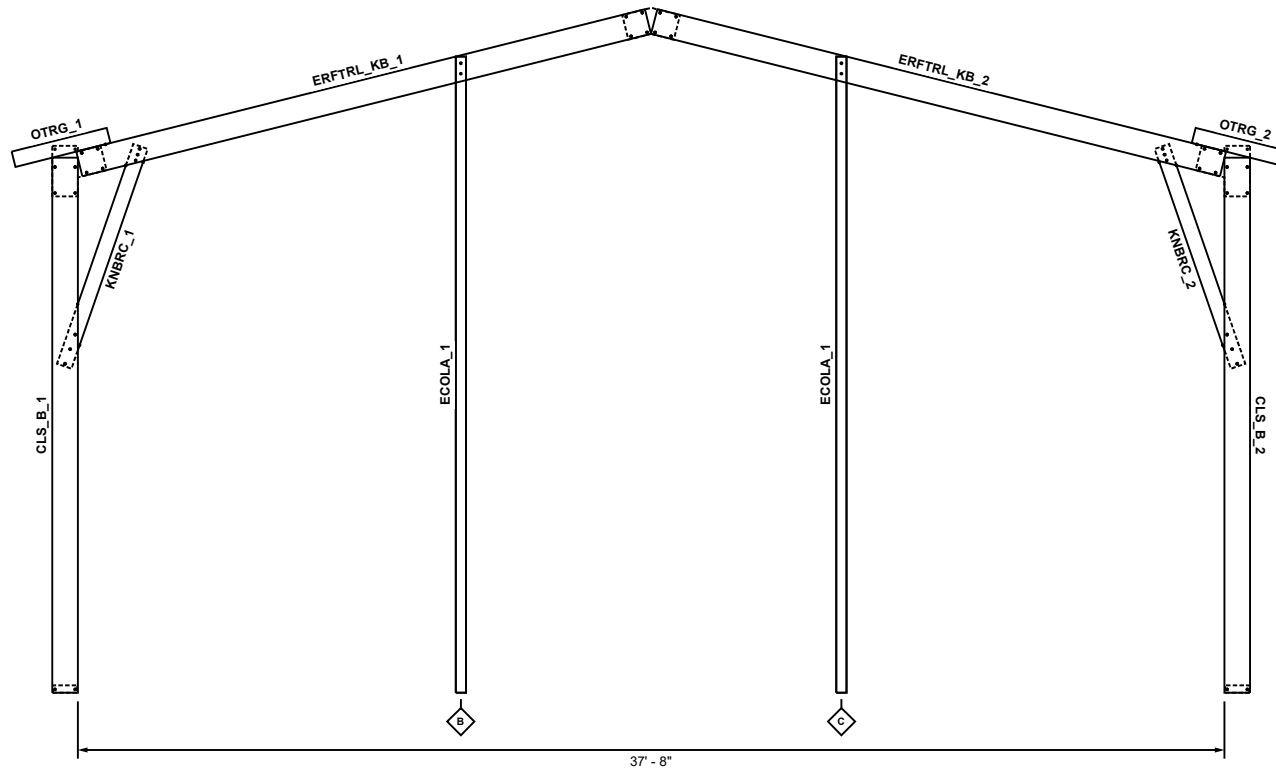
This illustration is for reference only, and is to be used to supplement the engineering drawings. If any discrepancies occur, the engineering plans will always take precedence.



Concrete Anchor Details



Member Table		
Mark	Product	Length
CLS_B_1	10" x 12ga. CEE	17' - 6 13/16"
CLS_B_2	10" x 12ga. CEE	17' - 6 13/16"
ECOLA_1	10" x 12ga. CEE	20' - 10 9/16"
ERFTRL_KB_1	10" x 12ga. CEE	19' - 3 1/16"
ERFTRL_KB_2	10" x 12ga. CEE	19' - 3 1/16"
KNBRC_1	6" x 16ga. CEE	7' - 7 5/8"
KNBRC_2	6" x 16ga. CEE	7' - 7 5/8"
OTRG_1	6in x 3in 16G Channel	3' - 2 9/16"
OTRG_2	6in x 3in 16G Channel	3' - 2 9/16"

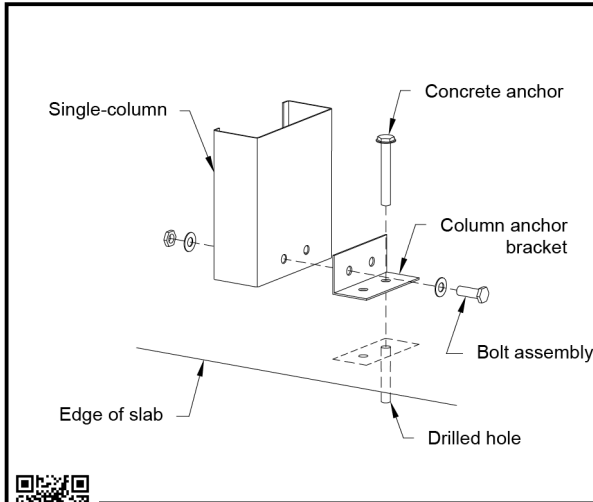


This illustration is for reference only, and is to be used to supplement the engineering drawings. If any discrepancies occur, the engineering plans will always take precedence.



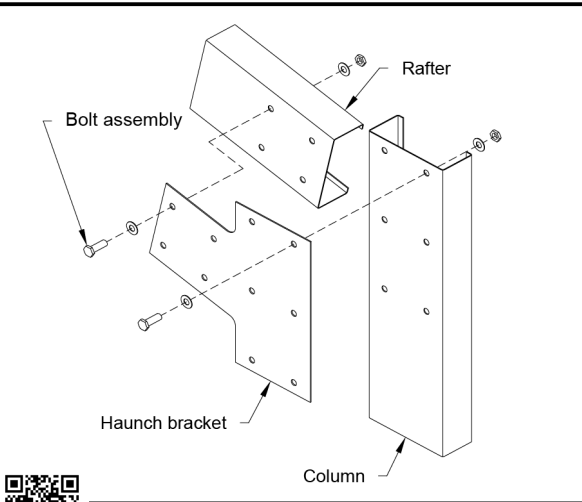
Portal Section, Frame Line 1





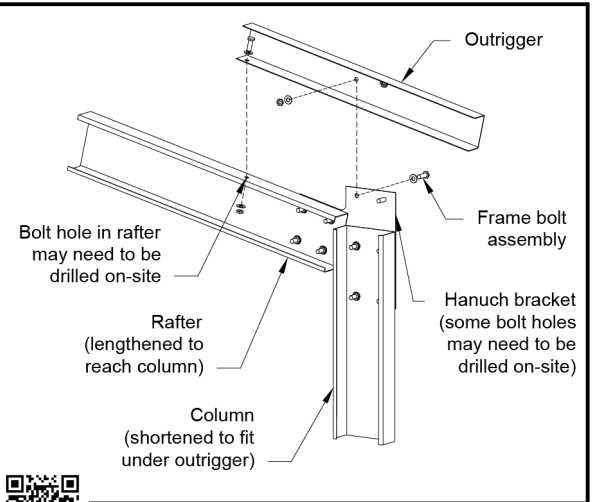
Single Base Bracket

<https://r.actbs.com/g/abs525>



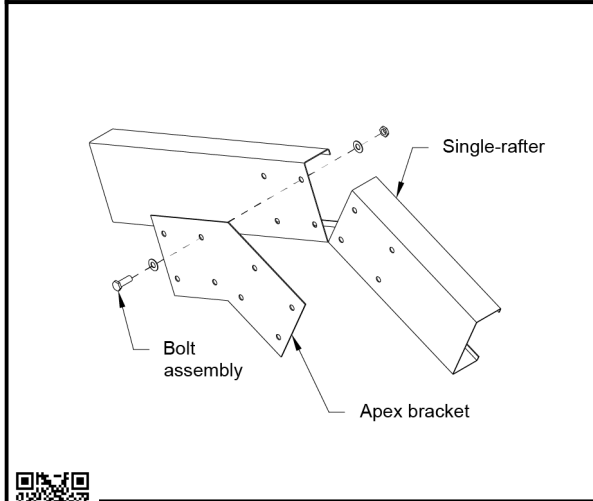
Single Haunch Bracket

<https://r.actbs.com/g/abs265>



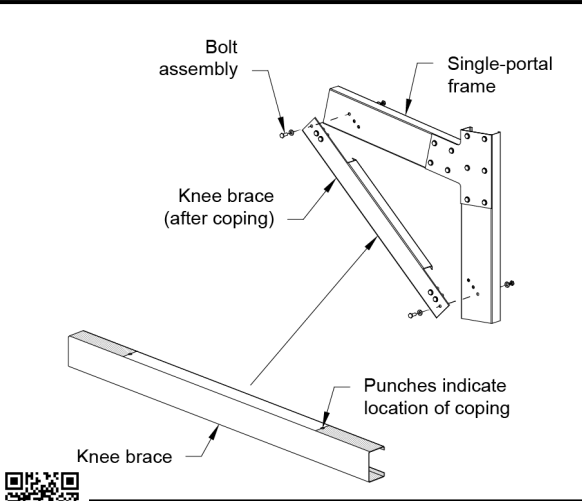
Overhang Haunch

<https://r.actbs.com/g/abs429>



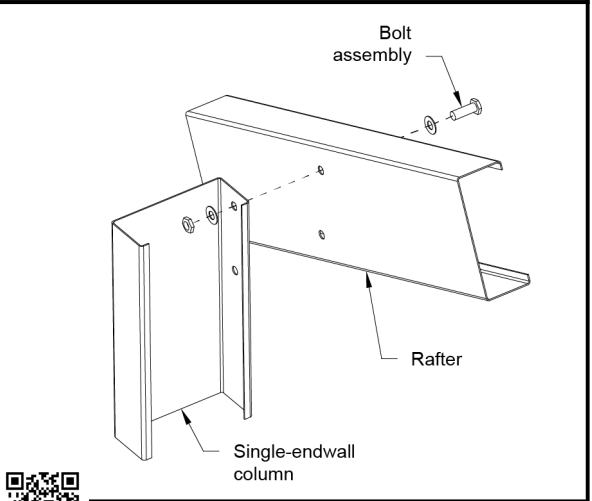
Single Apex Bracket

<https://r.actbs.com/g/abs021>



Single Knee Brace

<https://r.actbs.com/g/abs289>



Endwall Column to Rafter

<https://r.actbs.com/g/abs185>

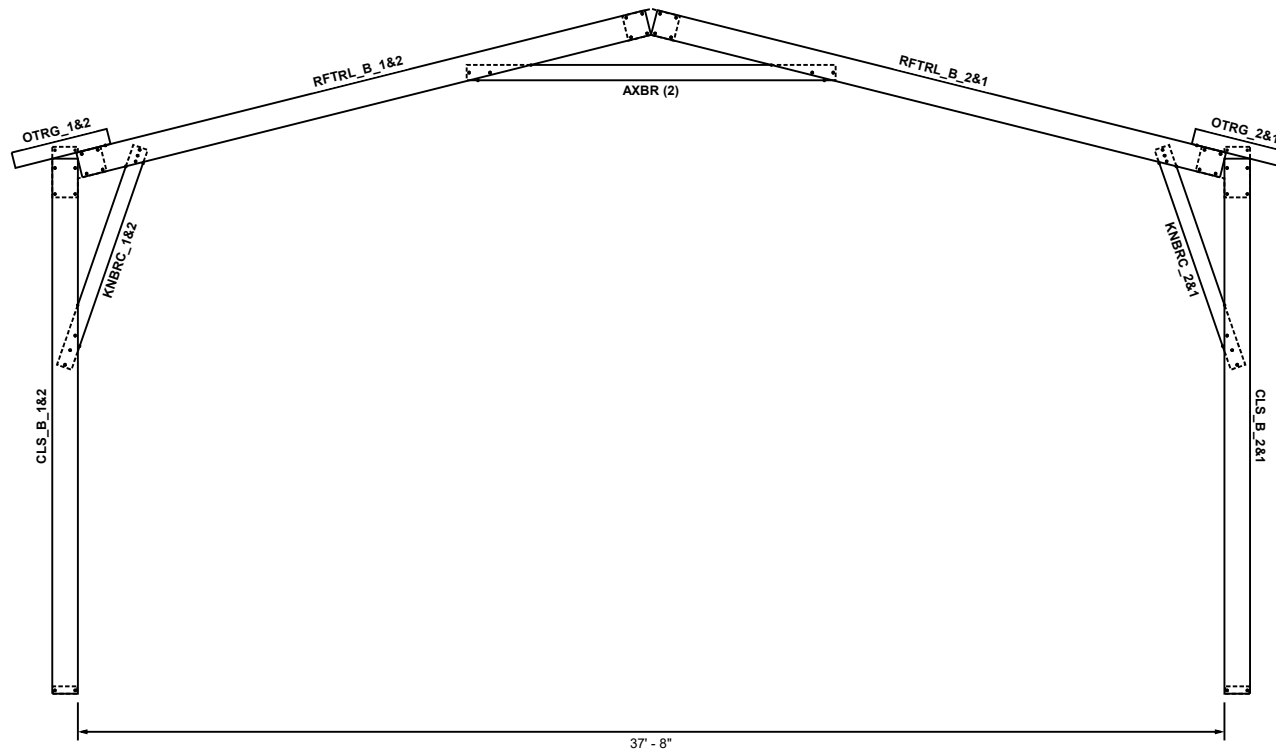


Portal Details



This illustration is for reference only, and is to be used to supplement the engineering drawings. If any discrepancies occur, the engineering plans will always take precedence.

Member Table		
Mark	Product	Length
AXBR	6" x 16ga. CEE	12' - 1 1/2"
CLS_B_1	10" x 12ga. CEE	17' - 6 13/16"
CLS_B_2	10" x 12ga. CEE	17' - 6 13/16"
KNBRC_1	6" x 16ga. CEE	7' - 7 5/8"
KNBRC_2	6" x 16ga. CEE	7' - 7 5/8"
OTRG_1	6in x 3in 16G Channel	3' - 2 9/16"
OTRG_2	6in x 3in 16G Channel	3' - 2 9/16"
RFTRL_B_1	10" x 12ga. CEE	19' - 3 1/16"
RFTRL_B_2	10" x 12ga. CEE	19' - 3 1/16"

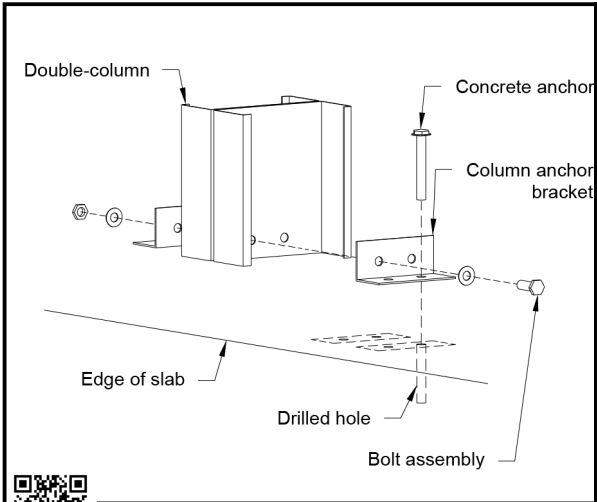


This illustration is for reference only, and is to be used to supplement the engineering drawings. If any discrepancies occur, the engineering plans will always take precedence.



Portal Section, Frame Lines 2 and 3

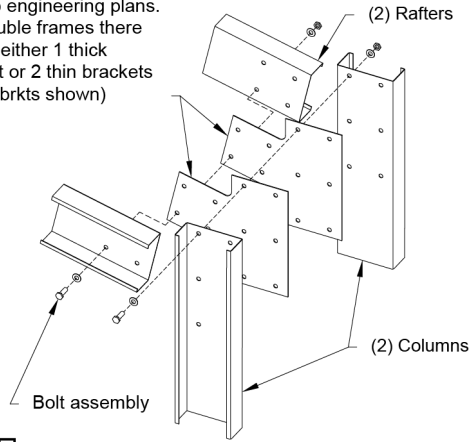




Double Base Bracket

<https://r.actbs.com/g/abs521>

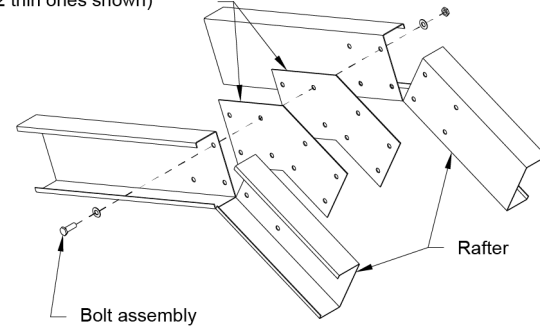
(1 or 2) Haunch brackets, refer to engineering plans. For double frames there will be either 1 thick bracket or 2 thin brackets (2 thin brkts shown)



Double Haunch Bracket

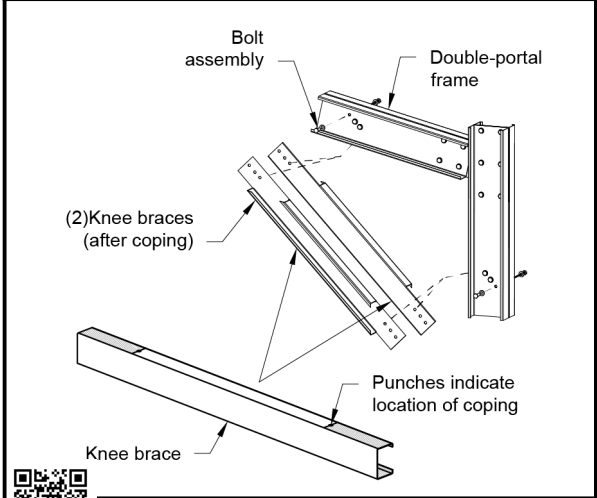
<https://r.actbs.com/g/abs269>

(1 or 2) Apex brackets refer to engineering plans. For double rafters there will be either 1 thick bracket or 2 thin brackets (2 thin ones shown)



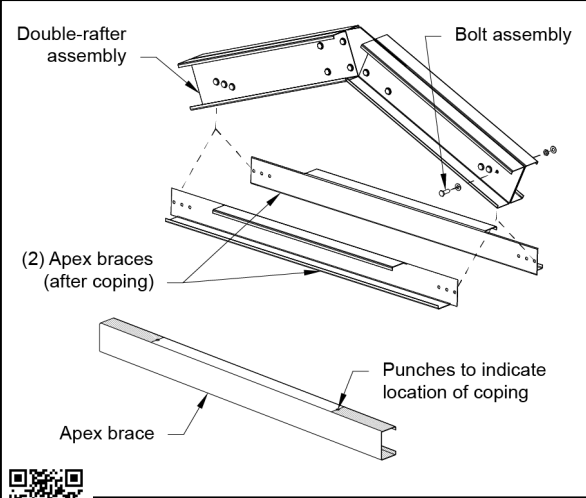
Double Apex Bracket

<https://r.actbs.com/g/abs017>



Double Knee Brace

<https://r.actbs.com/g/abs285>



Double Apex Brace

<https://r.actbs.com/g/abs001>

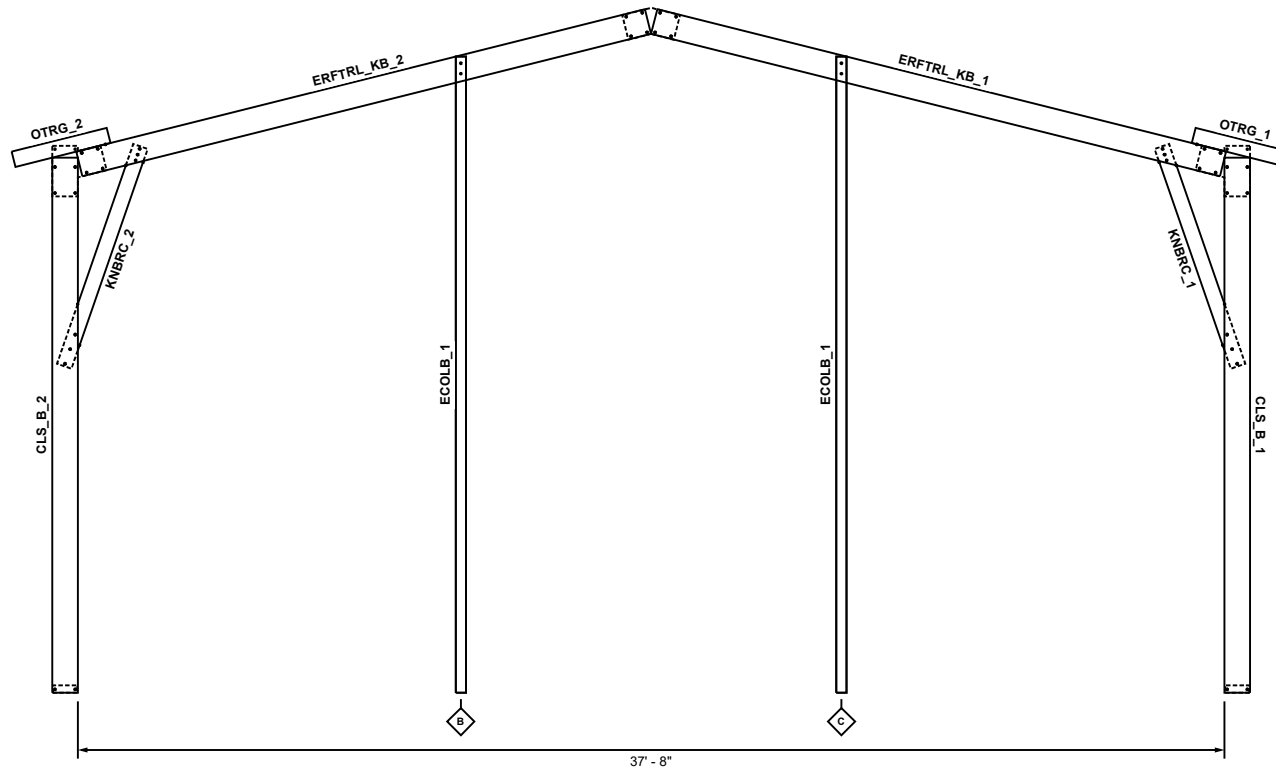


Portal Details



This illustration is for reference only, and is to be used to supplement the engineering drawings. If any discrepancies occur, the engineering plans will always take precedence.

Member Table		
Mark	Product	Length
CLS_B_1	10" x 12ga. CEE	17' - 6 13/16"
CLS_B_2	10" x 12ga. CEE	17' - 6 13/16"
ECOLB_1	10" x 12ga. CEE	20' - 10 9/16"
ERFTRL_KB_1	10" x 12ga. CEE	19' - 3 1/16"
ERFTRL_KB_2	10" x 12ga. CEE	19' - 3 1/16"
KNBRC_1	6" x 16ga. CEE	7' - 7 5/8"
KNBRC_2	6" x 16ga. CEE	7' - 7 5/8"
OTRG_1	6in x 3in 16G Channel	3' - 2 9/16"
OTRG_2	6in x 3in 16G Channel	3' - 2 9/16"



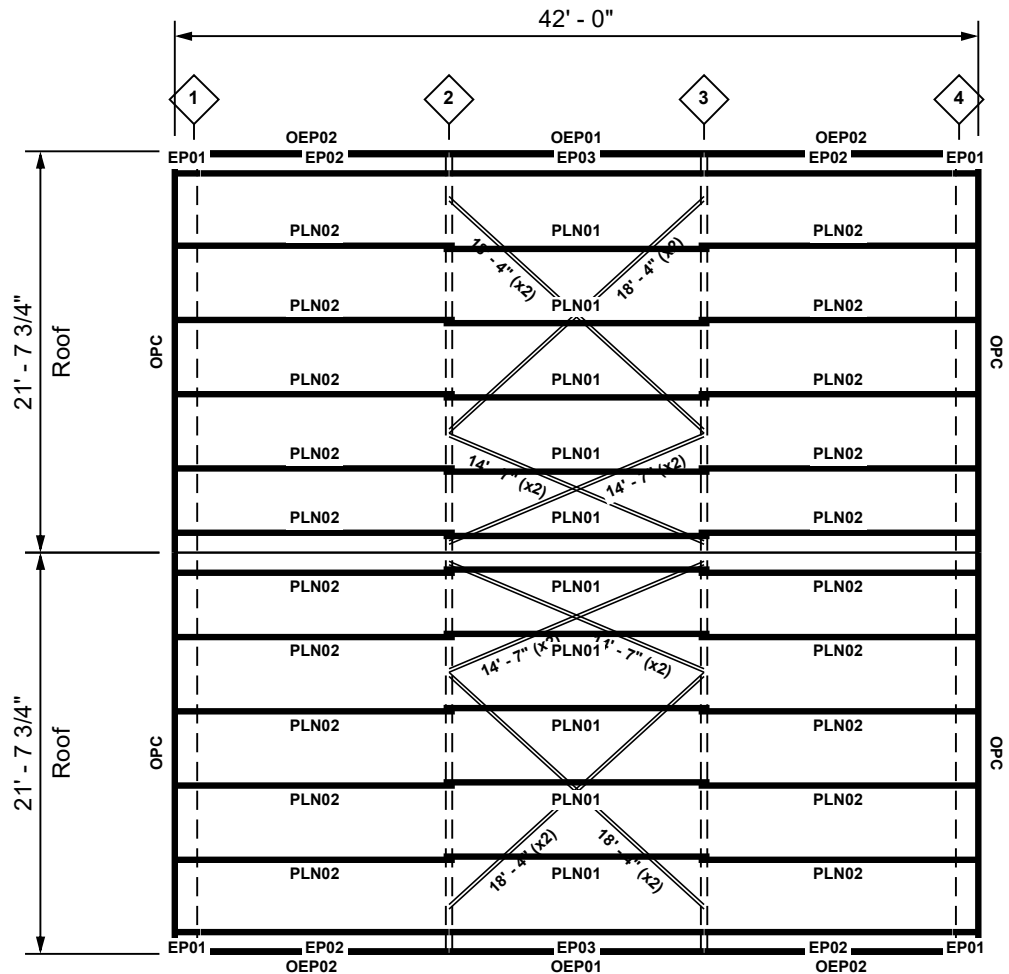
This illustration is for reference only, and is to be used to supplement the engineering drawings. If any discrepancies occur, the engineering plans will always take precedence.



Portal Section, Frame Line 4



Member Table		
Mark	Product	Length
EP01	6in x 3.5in 16G Eave Strut	1' - 3 3/4"
EP02	6in x 3.5in 16G Eave Strut	12' - 11 1/2"
EP03	6in x 3.5in 16G Eave Strut	13' - 3 1/2"
OEP01	6in x 3.5in 16G Eave Strut	13' - 3 1/2"
OEP02	6in x 3.5in 16G Eave Strut	14' - 3 3/4"
OPC	6in x 3in 16G Channel	21' - 7 3/4"
PLN01	6" x 16ga. LGSi ZEE	13' - 11"
PLN02	6" x 16ga. LGSi ZEE	14' - 7 1/2"



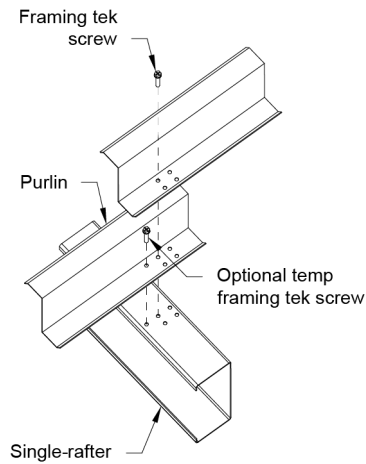
Roof Sheeting:
PBR-Panel 24G
Linen White

This illustration is for reference only, and is to be used to supplement the engineering drawings. If any discrepancies occur, the engineering plans will always take precedence.



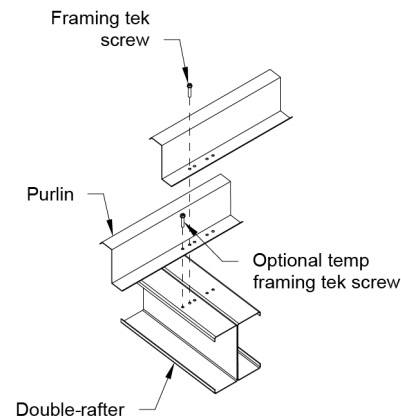
Roof Framing Plan





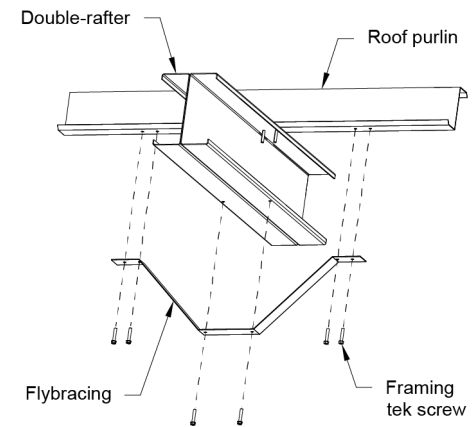
Purlin Rafter Single

<https://r.actbs.com/g/abs457>



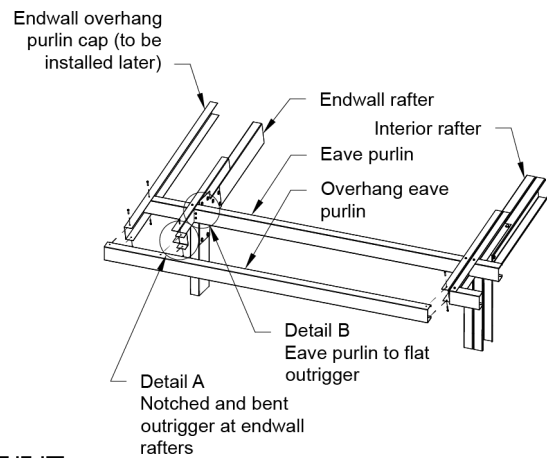
Purlin Rafter Double

<https://r.actbs.com/g/abs449>



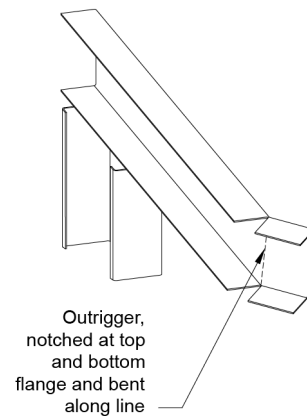
Flybrace Rafter Double

<https://r.actbs.com/g/abs206>



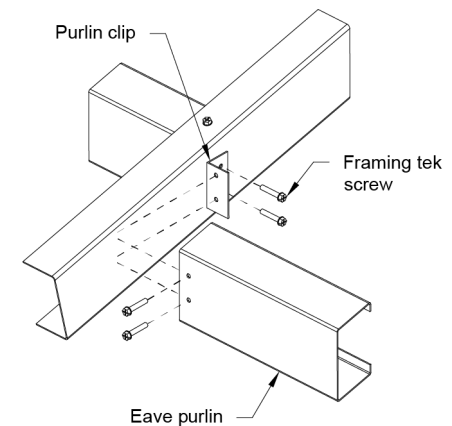
Overhang Overview

<https://r.actbs.com/g/abs425>



Notched Outrigger

<https://r.actbs.com/g/abs413>



To Back of Outrigger

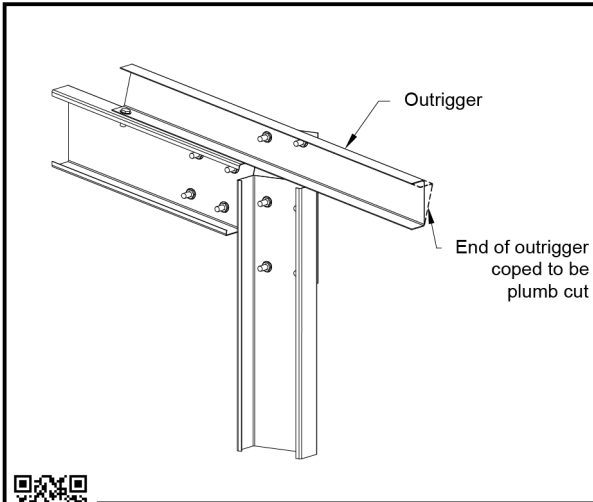
<https://r.actbs.com/g/abs421>



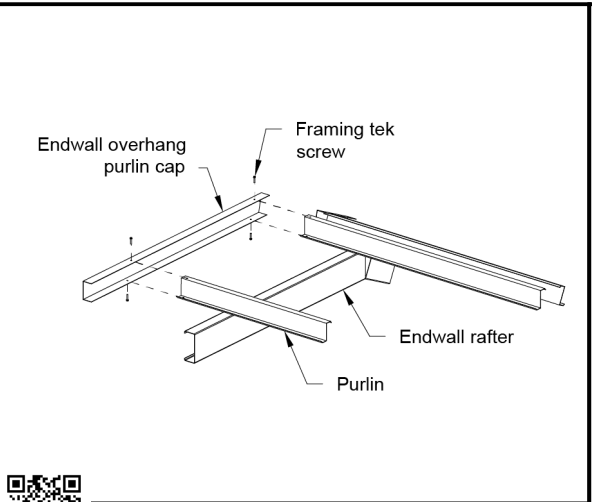
Roof Details



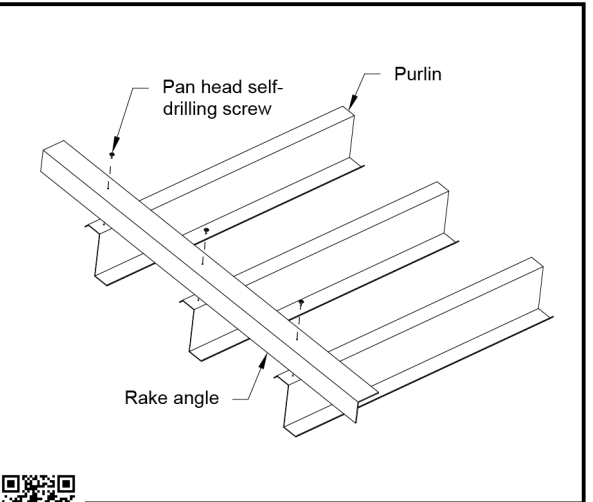
This illustration is for reference only, and is to be used to supplement the engineering drawings. If any discrepancies occur, the engineering plans will always take precedence.



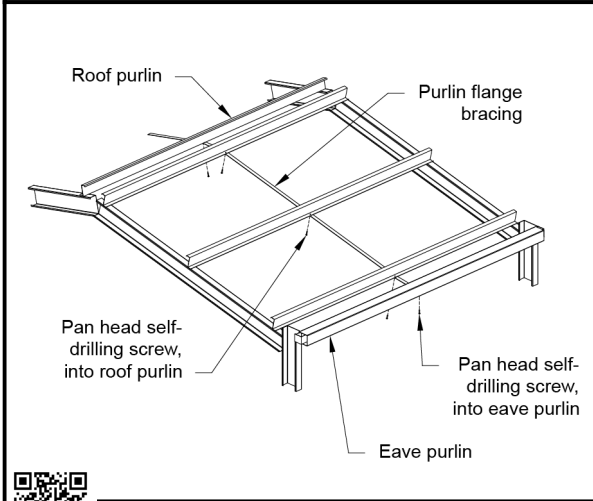
Plum Cut Outrigger
<https://r.actbs.com/g/abs433>



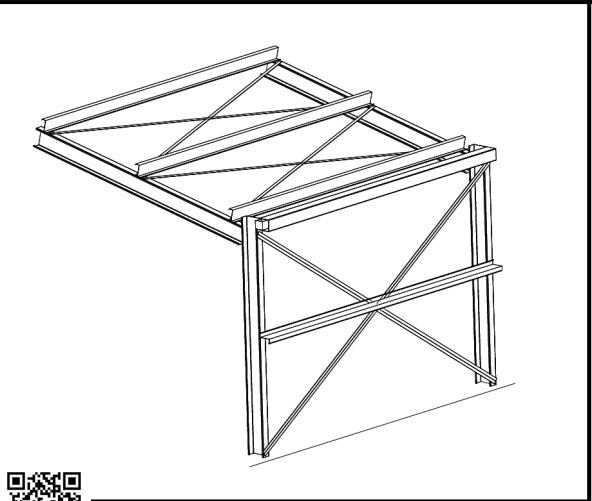
Overhang Purlin Cap
<https://r.actbs.com/g/abs405>



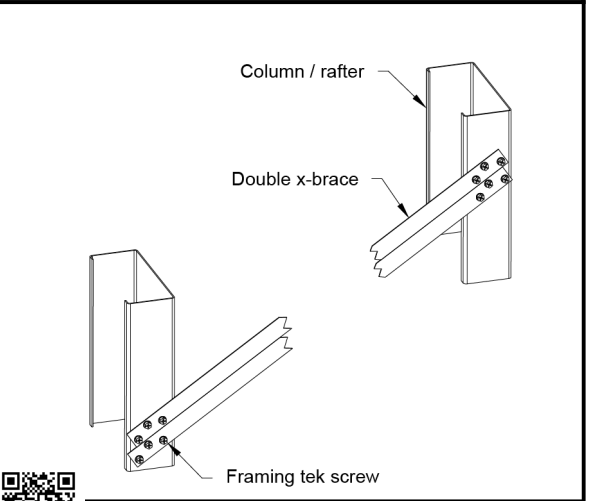
Rake Angle
<https://r.actbs.com/g/abs465>



Purlin Flange Bracing
<https://r.actbs.com/g/abs441>



X-Bracing
<https://r.actbs.com/g/abs549>



X-Bracing
<https://r.actbs.com/g/abs541>

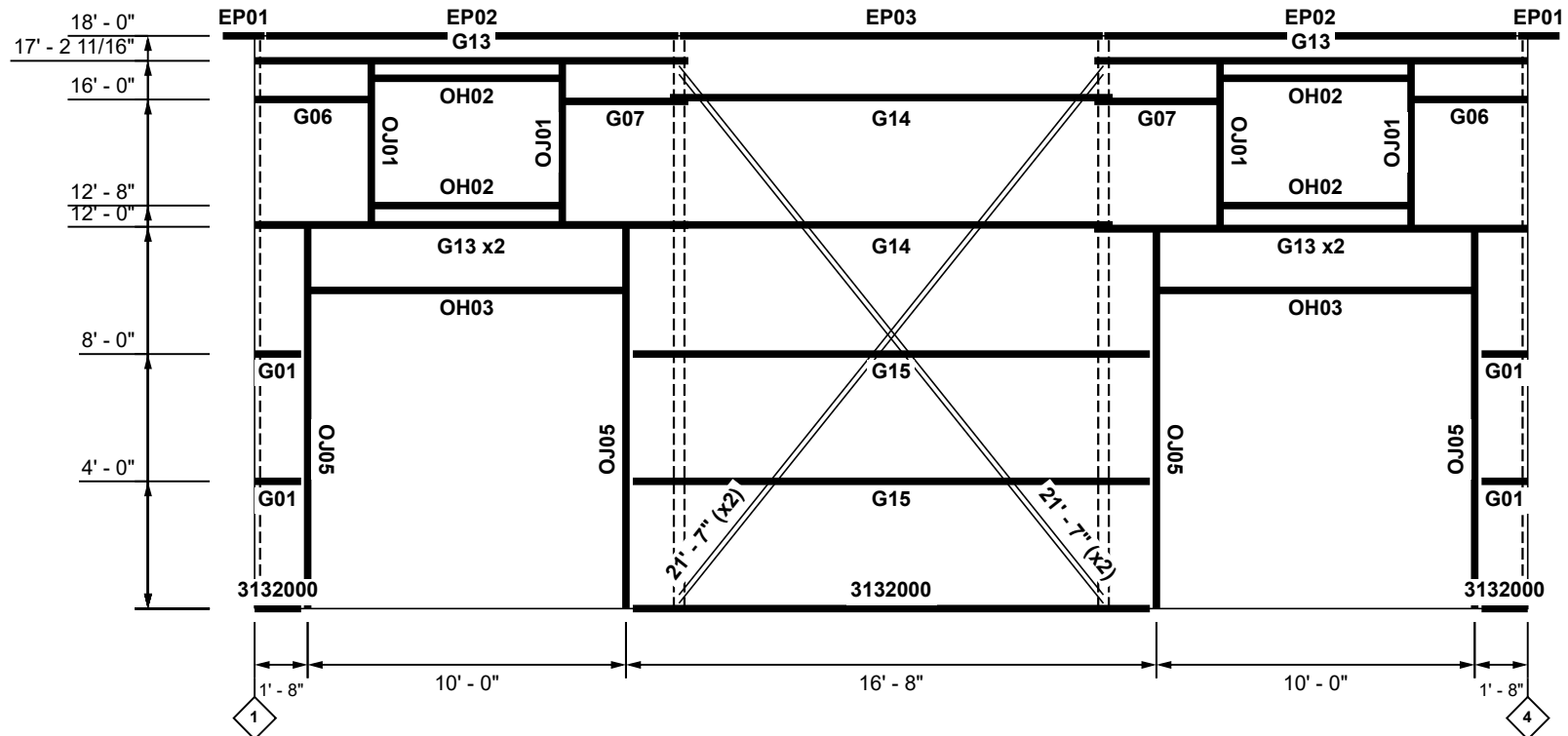


Roof Details

This illustration is for reference only, and is to be used to supplement the engineering drawings. If any discrepancies occur, the engineering plans will always take precedence.



Member Table		
Mark	Product	Length
3132000	Formed Base Angle 18G	Stock Length
EP01	6in x 3.5in 16G Eave Strut	1' - 3 3/4"
EP02	6in x 3.5in 16G Eave Strut	12' - 11 1/2"
EP03	6in x 3.5in 16G Eave Strut	13' - 3 1/2"
G01	4" x 16ga. LGSI ZEE	1' - 5 1/2"
G06	4" x 16ga. LGSI ZEE	3' - 8"
G07	4" x 16ga. LGSI ZEE	3' - 11 1/2"
G13	4" x 16ga. LGSI ZEE	13' - 7 1/2"
G14	4" x 16ga. LGSI ZEE	13' - 11"
G15	4" x 16ga. LGSI ZEE	16' - 3"
OH02	4" x 16ga. CEE	6' - 0"
OH03	4" x 16ga. CEE	10' - 0"
OJ01	4in x 3in 18G Channel	5' - 2 11/16"
OJ05	4" x 14ga. CEE	12' - 0"



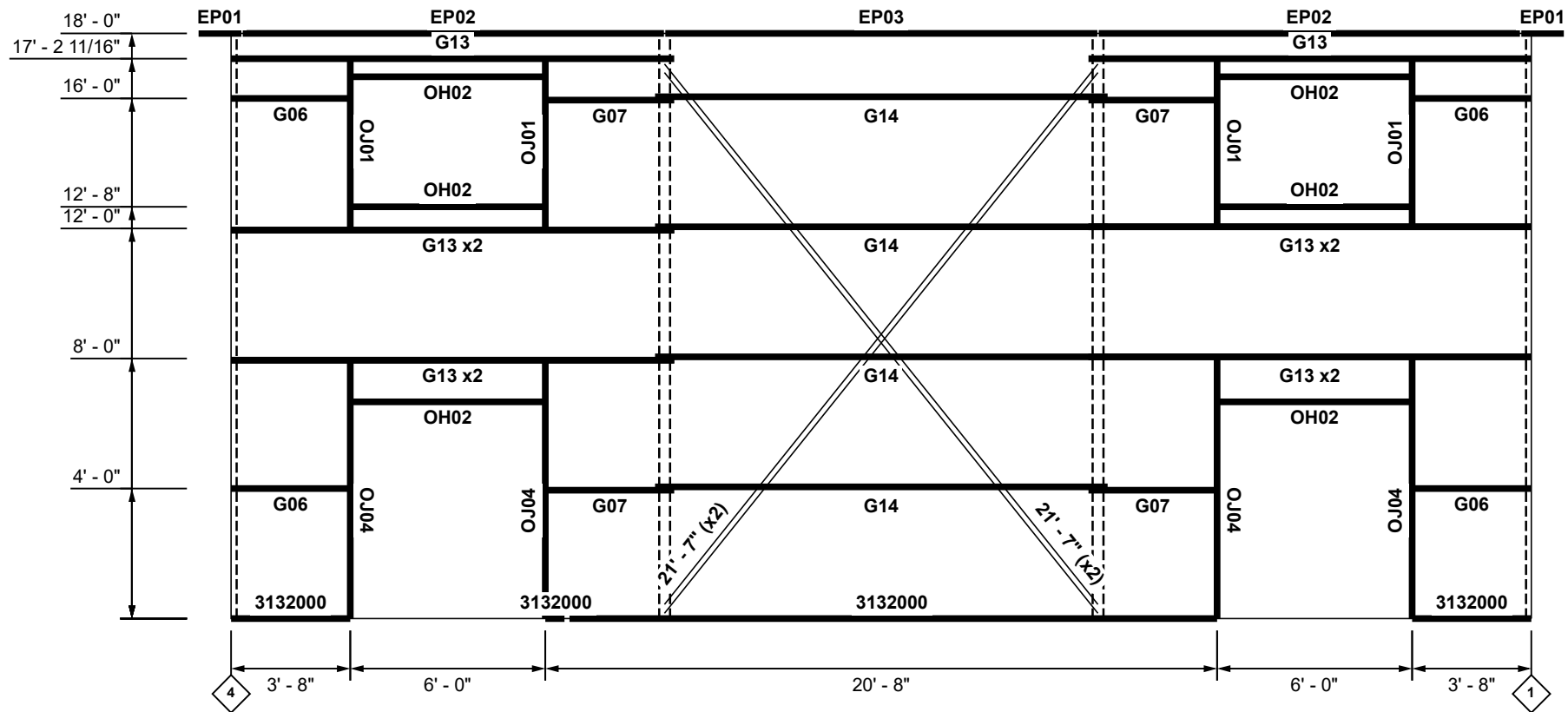
This illustration is for reference only, and is to be used to supplement the engineering drawings. If any discrepancies occur, the engineering plans will always take precedence.



Sidewall A Girt Layout, Frame Line A



Member Table		
Mark	Product	Length
3132000	Formed Base Angle 18G	Stock Length
EP01	6in x 3.5in 16G Eave Strut	1' - 3 3/4"
EP02	6in x 3.5in 16G Eave Strut	12' - 11 1/2"
EP03	6in x 3.5in 16G Eave Strut	13' - 3 1/2"
G06	4" x 16ga. LGSI ZEE	3' - 8"
G07	4" x 16ga. LGSI ZEE	3' - 11 1/2"
G13	4" x 16ga. LGSI ZEE	13' - 7 1/2"
G14	4" x 16ga. LGSI ZEE	13' - 11"
OH02	4" x 16ga. CEE	6' - 0"
OJ01	4in x 3in 18G Channel	5' - 2 11/16"
OJ04	4in x 3in 18G Channel	8' - 0"

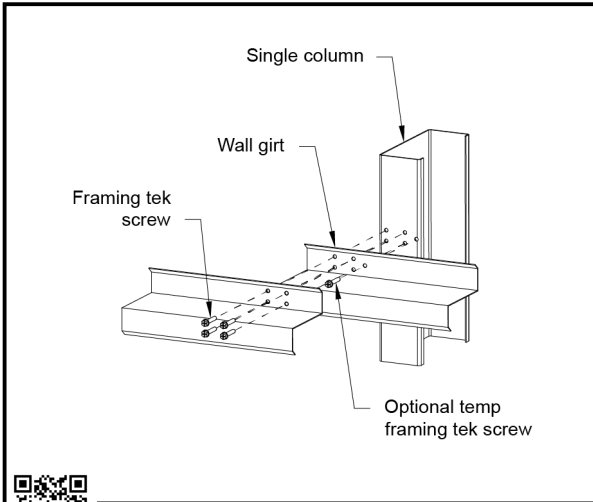


This illustration is for reference only, and is to be used to supplement the engineering drawings. If any discrepancies occur, the engineering plans will always take precedence.

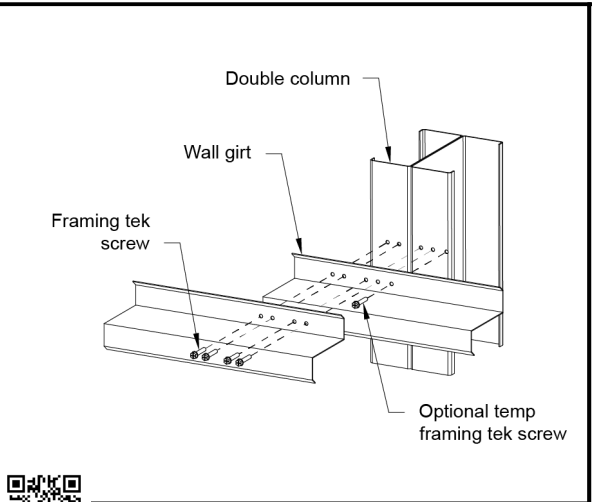


Sidewall B Girt Layout, Frame Line D

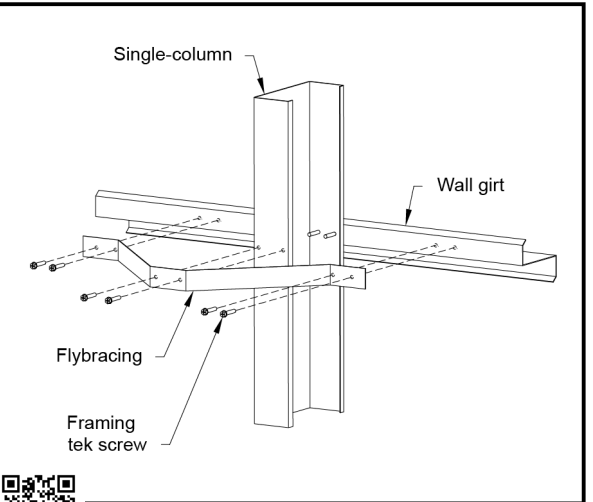




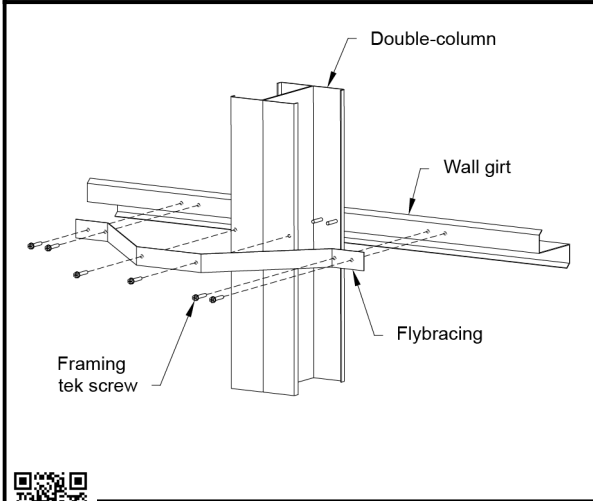
Girt Column Single
<https://r.actbs.com/g/abs225>



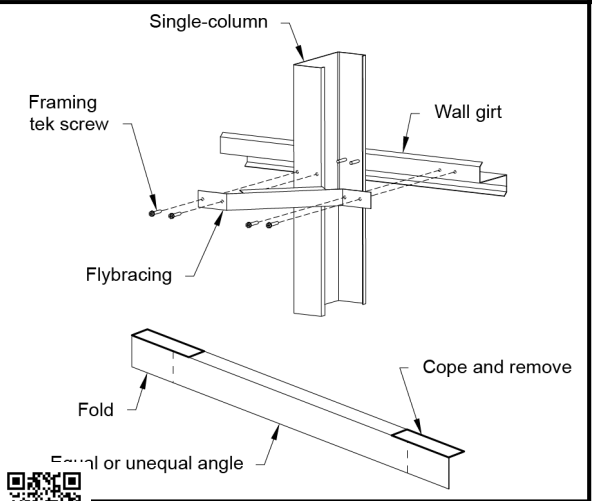
Girt Column Double
<https://r.actbs.com/g/abs217>



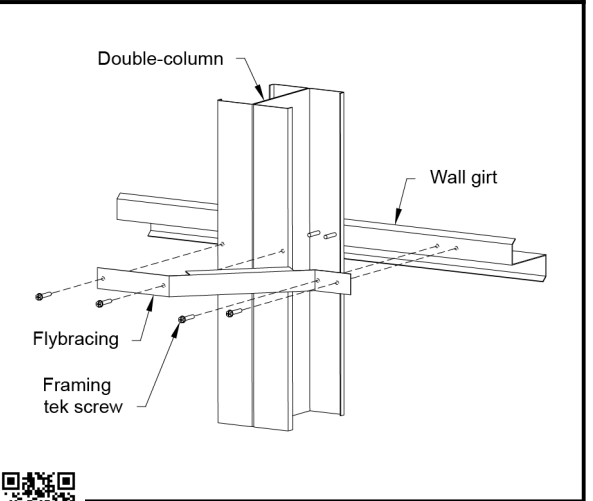
Flybrace Single
<https://r.actbs.com/g/abs205>



Flybrace Double
<https://r.actbs.com/g/abs197>



Flybrace Single
<https://r.actbs.com/g/abs201>



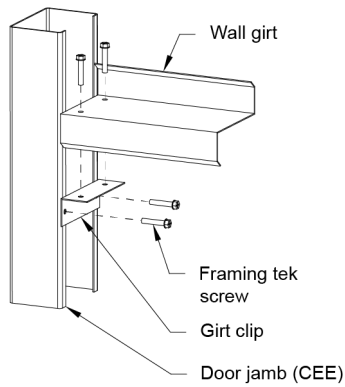
FlyBrace Double
<https://r.actbs.com/g/abs193>



Wall Details

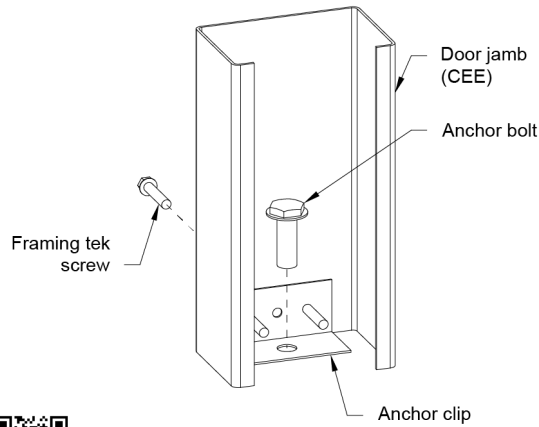
This illustration is for reference only, and is to be used to supplement the engineering drawings. If any discrepancies occur, the engineering plans will always take precedence.





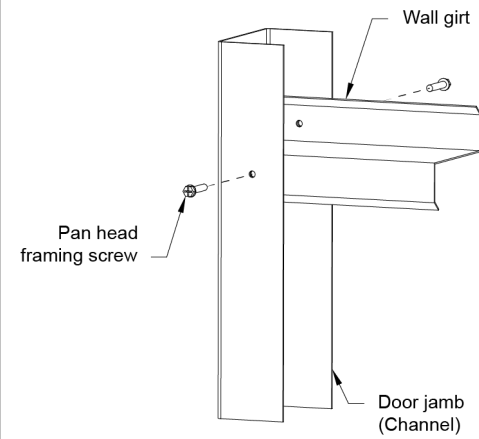
CEE Jamb Detail

<https://r.actbs.com/g/abs485>



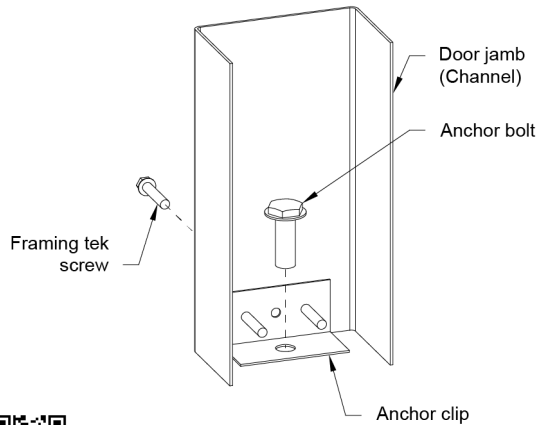
CEE Jamb Base Detail

<https://r.actbs.com/g/abs493>



Channel Jamb Detail

<https://r.actbs.com/g/abs501>



Channel Jamb Base Detail

<https://r.actbs.com/g/abs495>

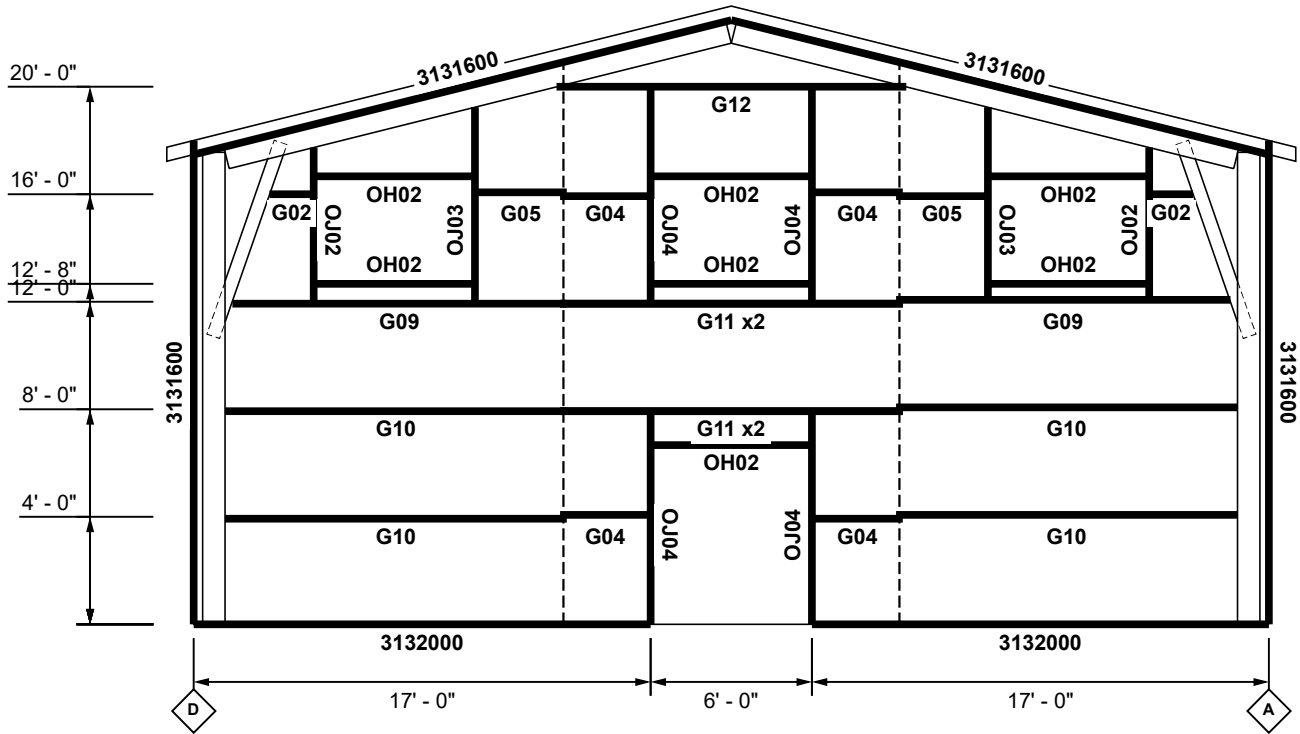


Wall Details



This illustration is for reference only, and is to be used to supplement the engineering drawings. If any discrepancies occur, the engineering plans will always take precedence.

Member Table		
Mark	Product	Length
3132000	Formed Base Angle 18G	Stock Length
G02	4" x 16ga. LGSi ZEE	1' - 7 5/8"
G04	4" x 16ga. LGSi ZEE	3' - 4 1/2"
G05	4" x 16ga. LGSi ZEE	3' - 5"
G09	4" x 16ga. LGSi ZEE	12' - 5 5/16"
G10	4" x 16ga. LGSi ZEE	12' - 8 1/2"
G11	4" x 16ga. LGSi ZEE	12' - 9"
G12	4" x 16ga. LGSi ZEE	13' - 0 1/16"
OH02	4" x 16ga. CEE	6' - 0"
OJ02	4in x 3in 18G Channel	5' - 8 7/8"
OJ03	4in x 3in 18G Channel	7' - 2 7/8"
OJ04	4in x 3in 18G Channel	8' - 0"
3131600	2in x 4in Angle	Stock Length



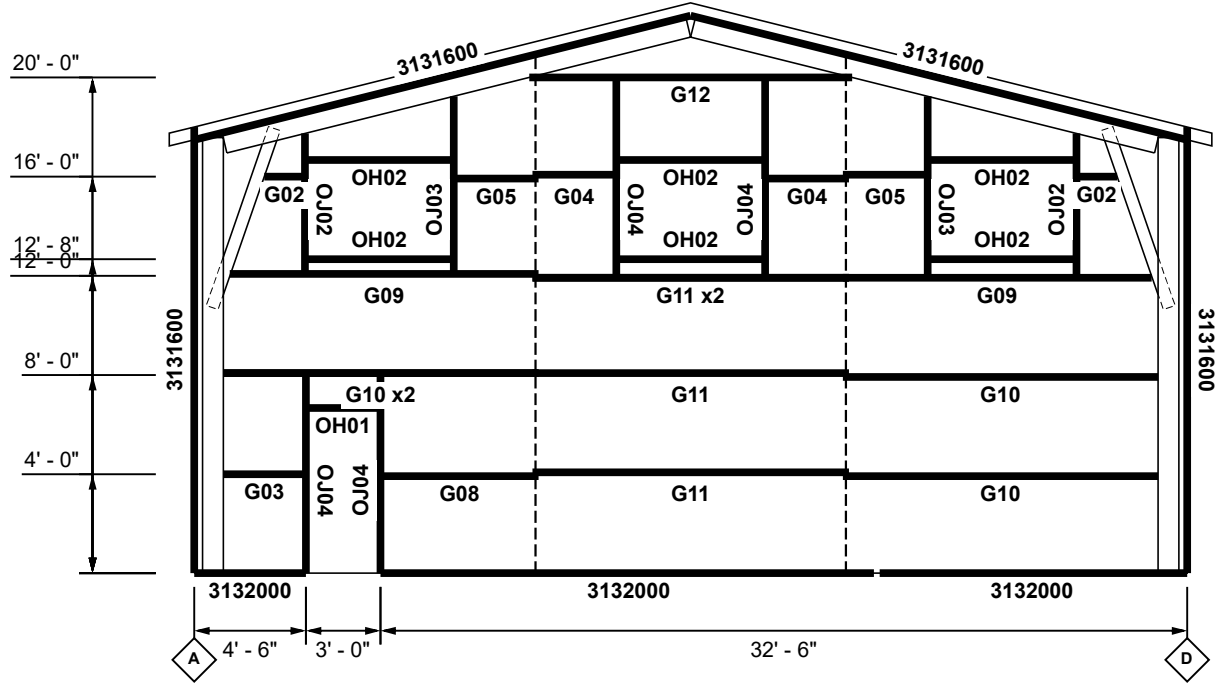
This illustration is for reference only, and is to be used to supplement the engineering drawings. If any discrepancies occur, the engineering plans will always take precedence.



Endwall A Girt Layout, Frame Line 1



Member Table		
Mark	Product	Length
3132000	Formed Base Angle 18G	Stock Length
G02	4" x 16ga. LGSi ZEE	1' - 7 5/8"
G03	4" x 16ga. LGSi ZEE	3' - 4"
G04	4" x 16ga. LGSi ZEE	3' - 4 1/2"
G05	4" x 16ga. LGSi ZEE	3' - 5"
G08	4" x 16ga. LGSi ZEE	6' - 4 1/2"
G09	4" x 16ga. LGSi ZEE	12' - 5 5/16"
G10	4" x 16ga. LGSi ZEE	12' - 8 1/2"
G11	4" x 16ga. LGSi ZEE	12' - 9"
G12	4" x 16ga. LGSi ZEE	13' - 0 1/16"
OH01	4" x 16ga. CEE	3' - 0"
OH02	4" x 16ga. CEE	6' - 0"
OJ02	4in x 3in 18G Channel	5' - 8 7/8"
OJ03	4in x 3in 18G Channel	7' - 2 7/8"
OJ04	4in x 3in 18G Channel	8' - 0"
3131600	2in x 4in Angle	Stock Length

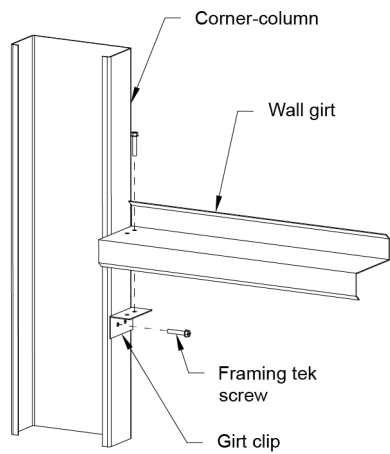


This illustration is for reference only, and is to be used to supplement the engineering drawings. If any discrepancies occur, the engineering plans will always take precedence.



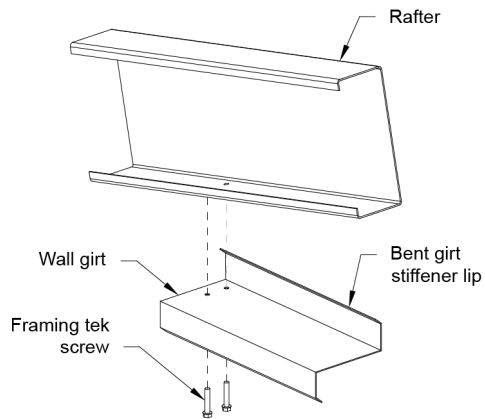
Endwall B Girt Layout, Frame Line 4





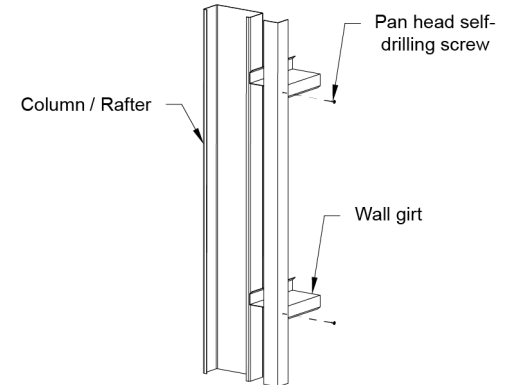
Endwall Girt To Column

<https://r.actbs.com/g/abs241>



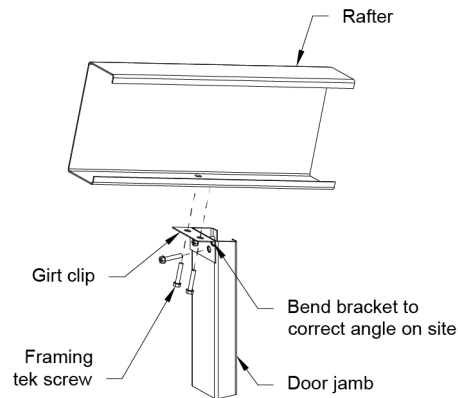
Endwall Girt To Rafter

<https://r.actbs.com/g/abs233>



Corner Angle

<https://r.actbs.com/g/abs061>



Jamb to Rafter

<https://r.actbs.com/g/abs125>

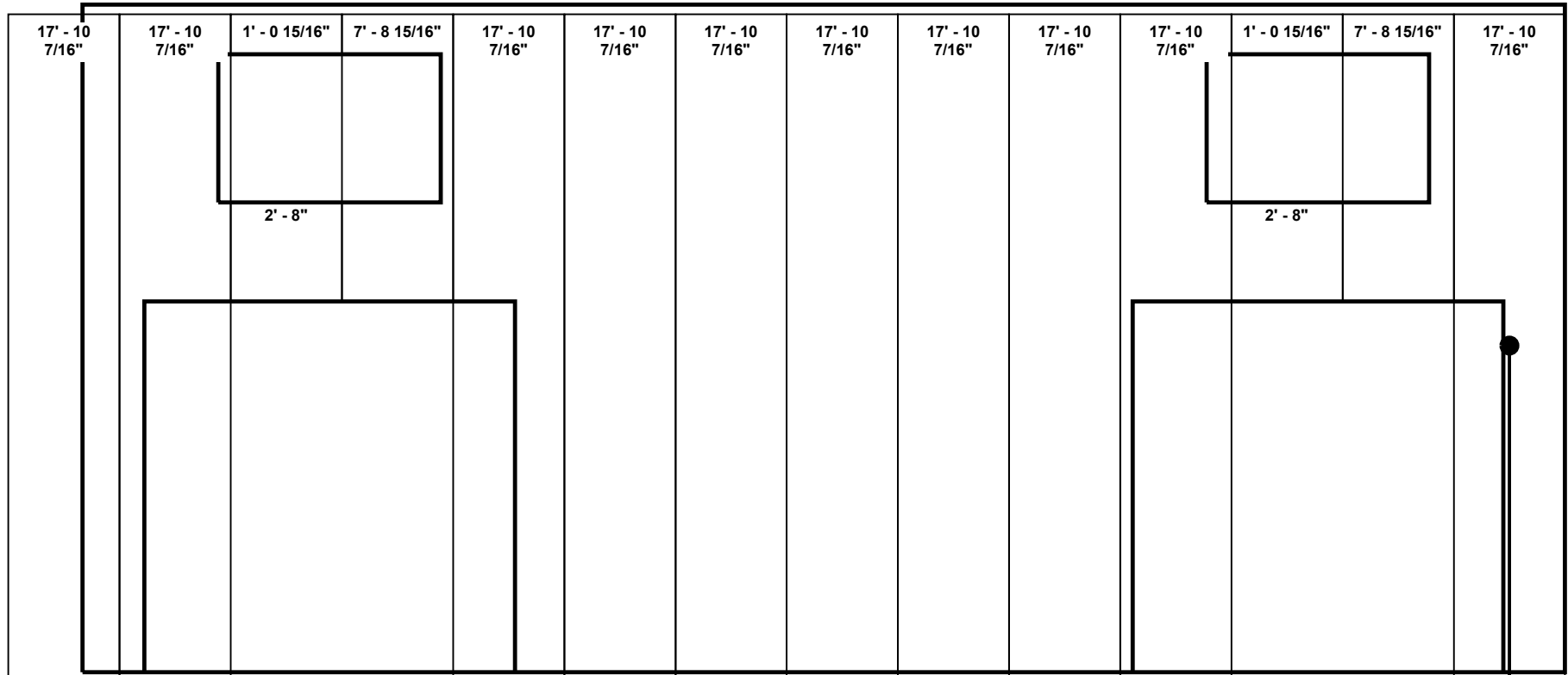


This illustration is for reference only, and is to be used to supplement the engineering drawings. If any discrepancies occur, the engineering plans will always take precedence.



Wall Details





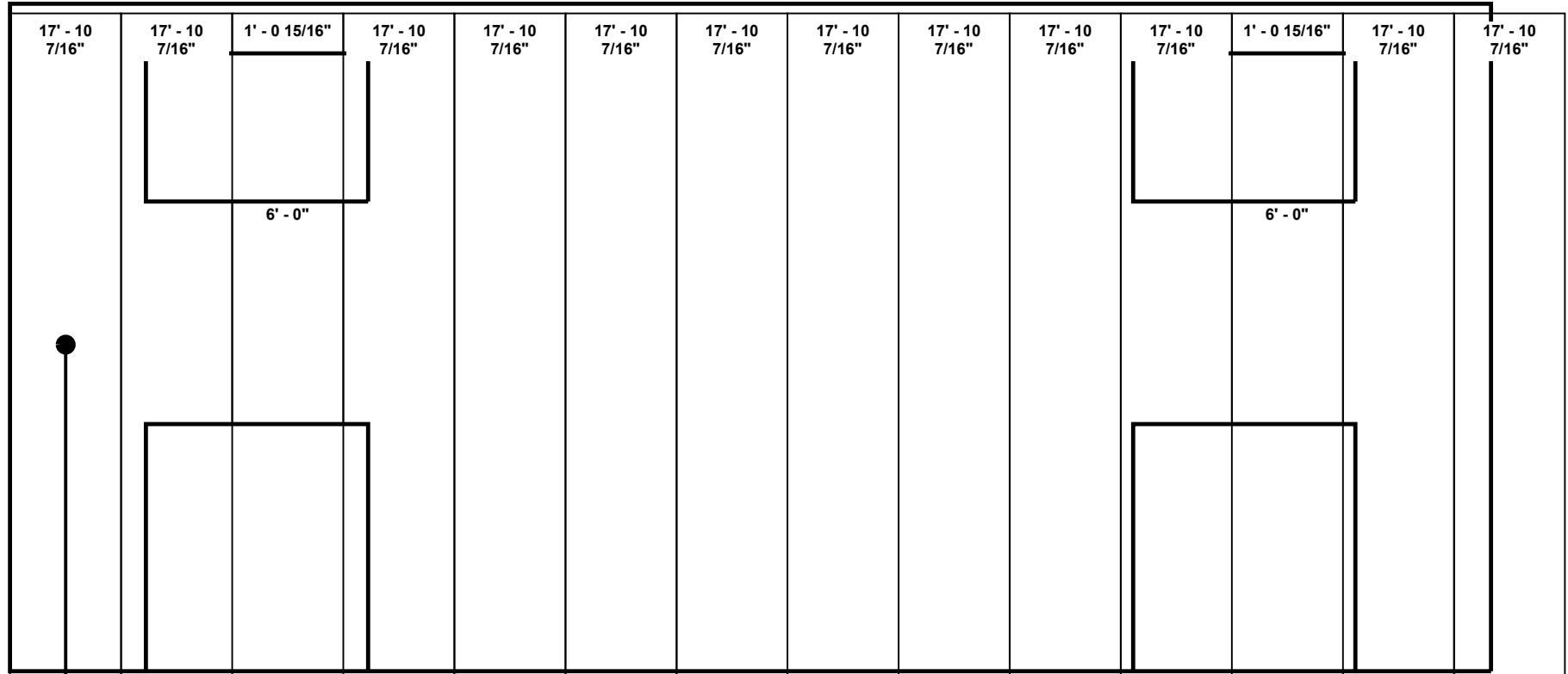
←
Sheeting starts with this sheet
and moves across the wall

This illustration is for reference only, and is to be used to supplement the engineering drawings. If any discrepancies occur, the engineering plans will always take precedence.



Sidewall A Sheeting Layout, Frame Line A





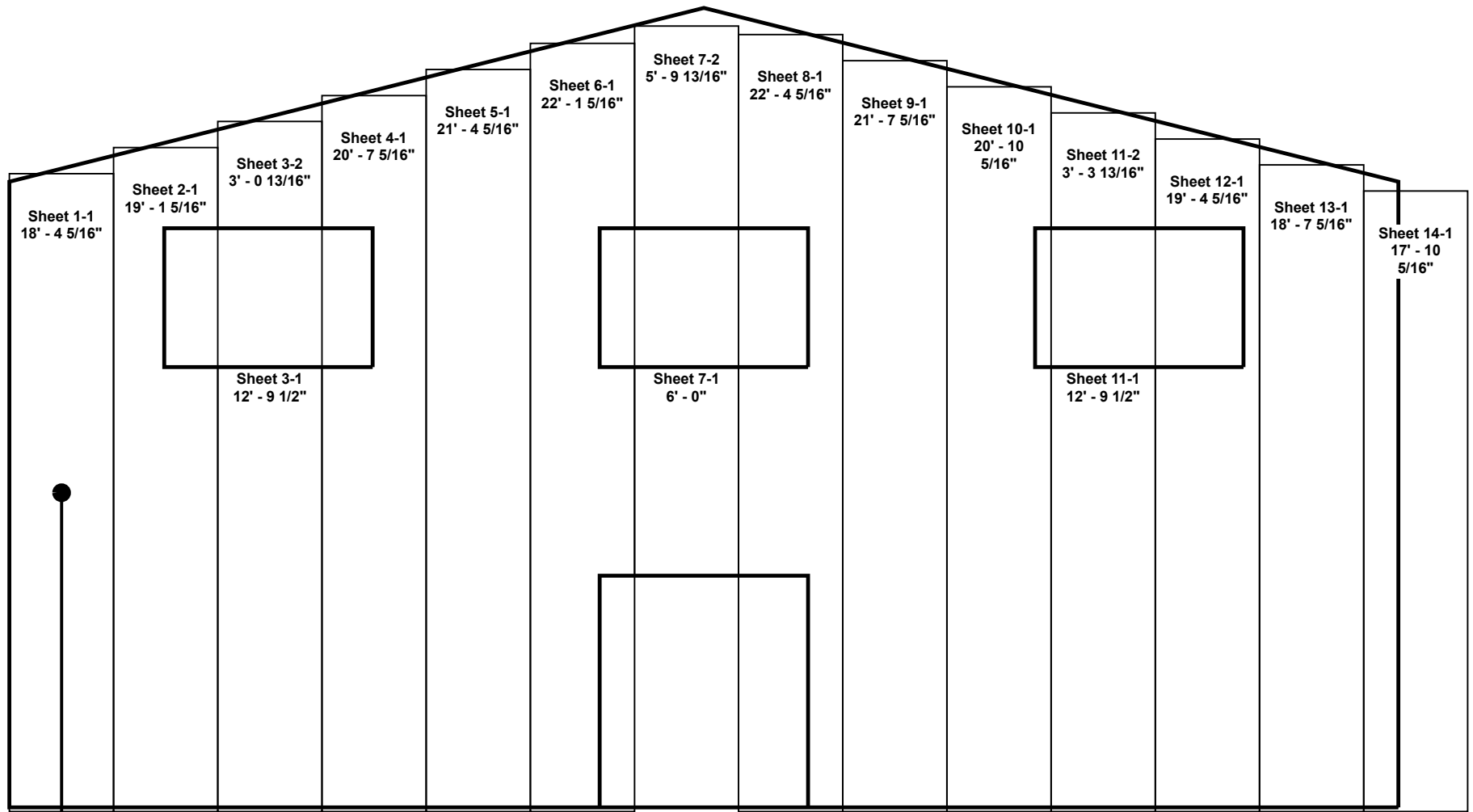
Sheeting starts with this sheet
and moves across the wall

This illustration is for reference only, and is to be used to supplement the engineering drawings. If any discrepancies occur, the engineering plans will always take precedence.



Sidewall B Sheeting Layout, Frame Line D





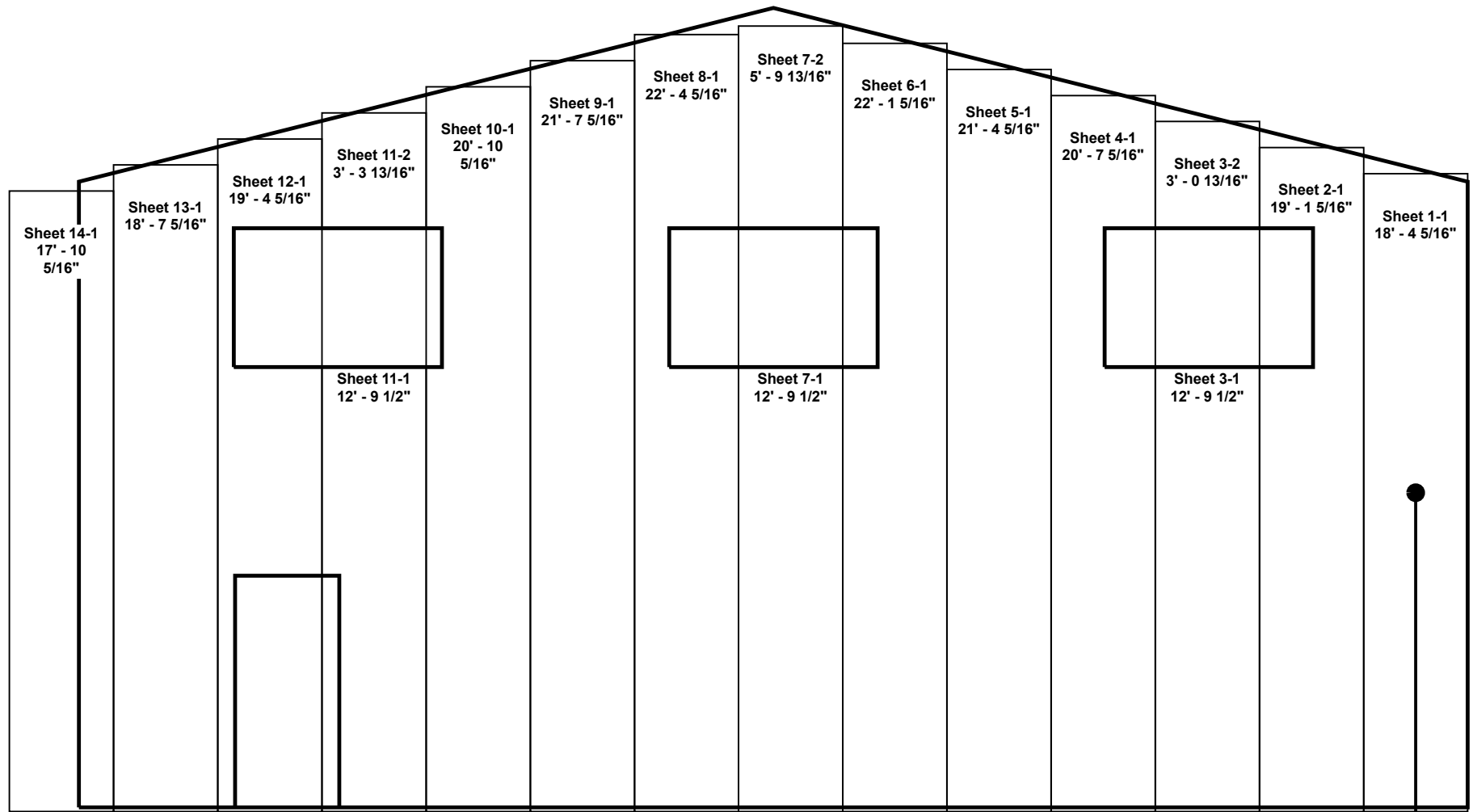
Sheeting starts with this sheet and moves across the wall

This illustration is for reference only, and is to be used to supplement the engineering drawings. If any discrepancies occur, the engineering plans will always take precedence.



Endwall A Sheeting Layout, Frame Line 1





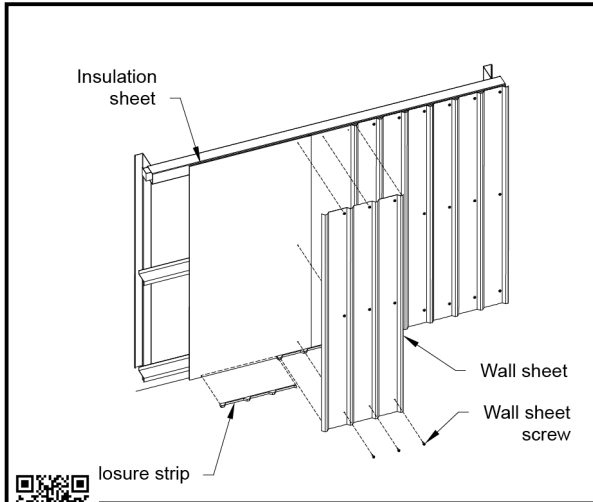
←
**Sheeting starts with this sheet
 and moves across the wall**

This illustration is for reference only, and is to be used to supplement the engineering drawings. If any discrepancies occur, the engineering plans will always take precedence.



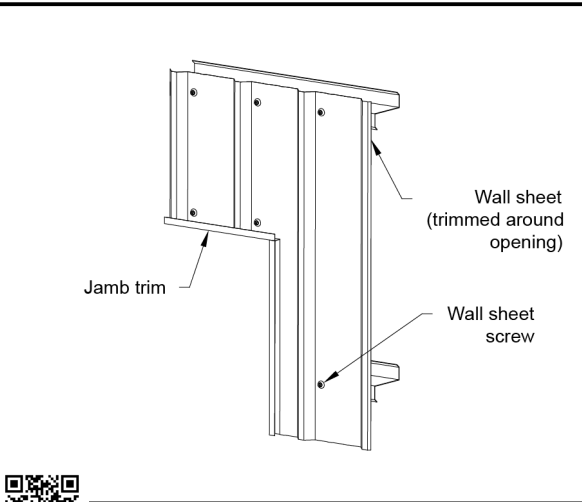
Endwall B Sheeting Layout, Frame Line 4





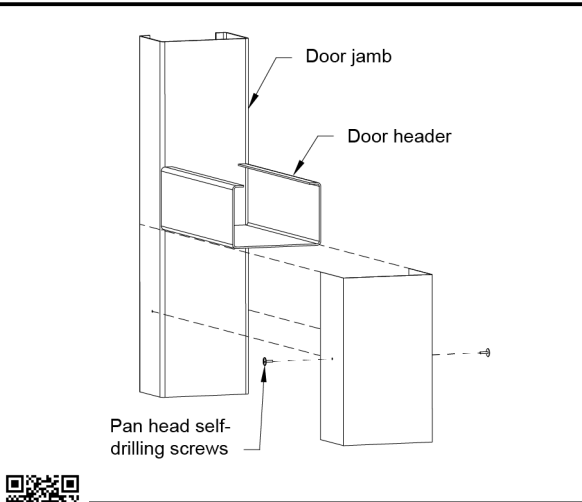
Wall Sheeting Overview

<https://r.actbs.com/g/abs537>



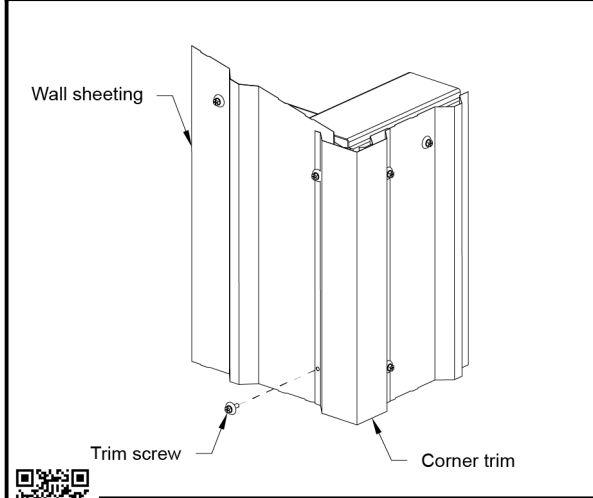
Wall Sheeting Openings

<https://r.actbs.com/g/abs533>



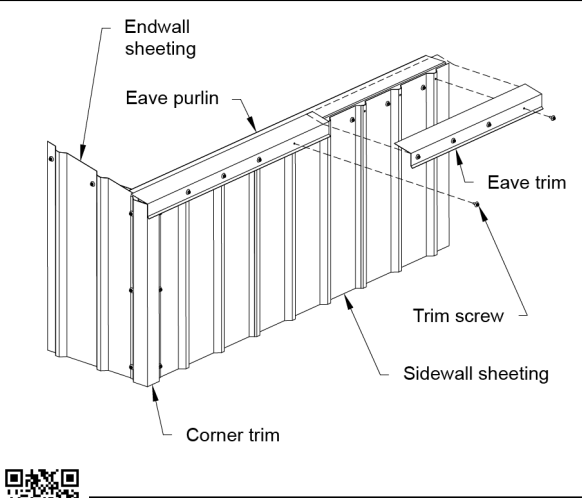
Door Jamb Cover

<https://r.actbs.com/g/abs069>



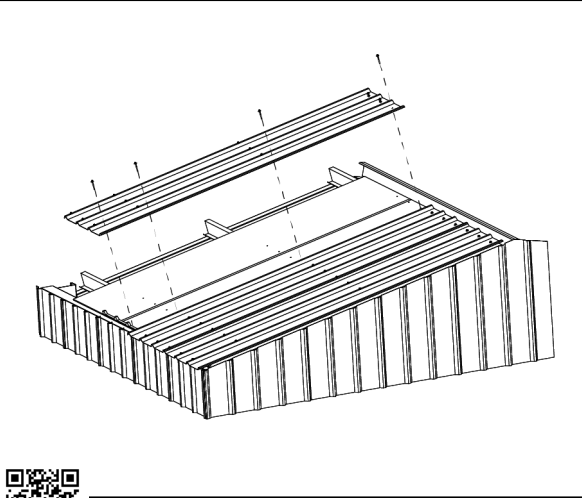
Corner Trim

<https://r.actbs.com/g/abs065>



Eave Trim

<https://r.actbs.com/g/abs117>



Roof Sheeting

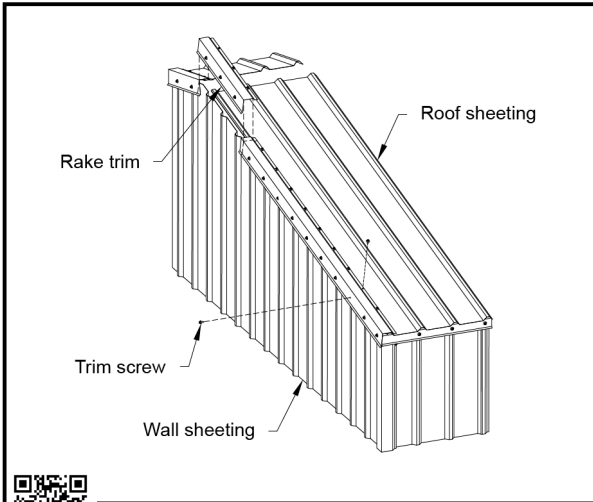
<https://r.actbs.com/g/abs477>



This illustration is for reference only, and is to be used to supplement the engineering drawings. If any discrepancies occur, the engineering plans will always take precedence.

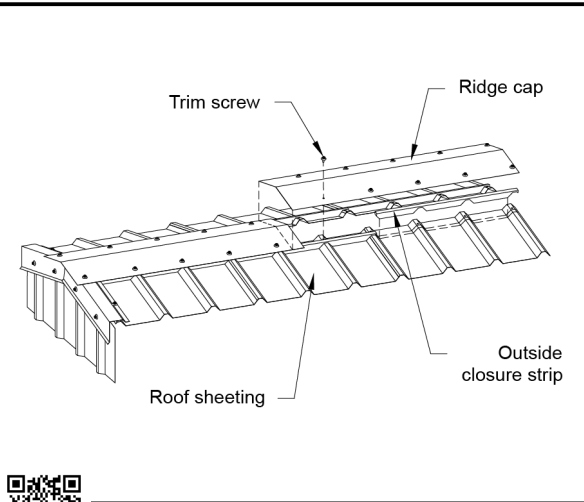
Sheeting & Trim Details





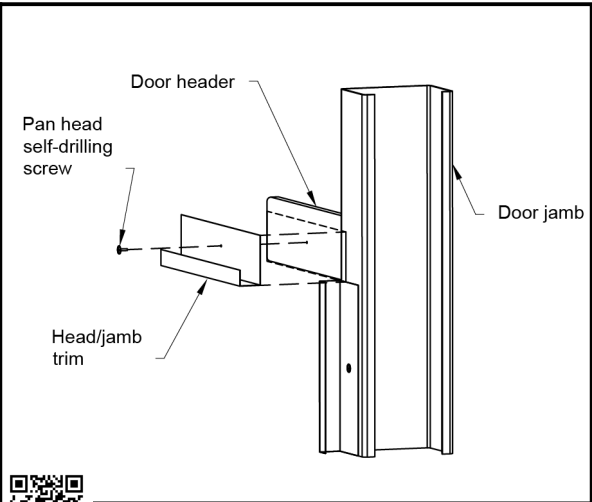
Rake Trim

<https://r.actbs.com/g/abs209>



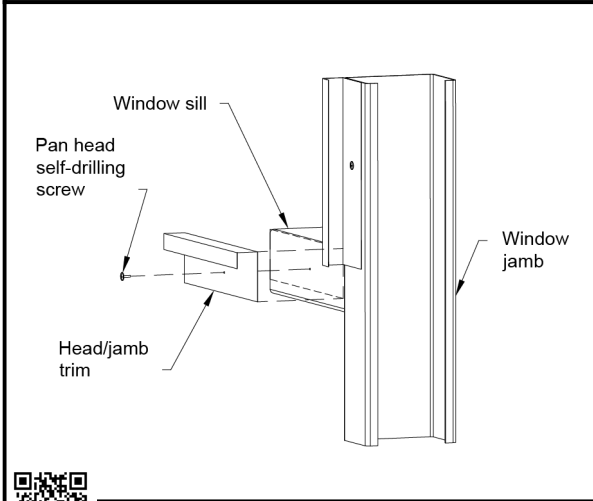
Ridge Cap

<https://r.actbs.com/g/abs469>



Jamb Trim Top

<https://r.actbs.com/g/abs277>



Jamb Trim Bottom

<https://r.actbs.com/g/abs273>



This illustration is for reference only, and is to be used to supplement the engineering drawings. If any discrepancies occur, the engineering plans will always take precedence.

Sheeting & Trim Details

