

**402400 to 402499**

# Illustrated Parts List

## Model Series

# 402400 to 402499

### TYPE NUMBERS

0015 and 0016  
0100 through 0112  
0130 through 0139  
0515, 0516  
0609 through 0612  
0630 through 0639  
0660 through 0714  
0721  
1010 through 1026

### TO FIND

**THE CORRECT NUMBER OF THE PART YOU NEED:**

**FOLLOW THE INSTRUCTIONS BELOW**

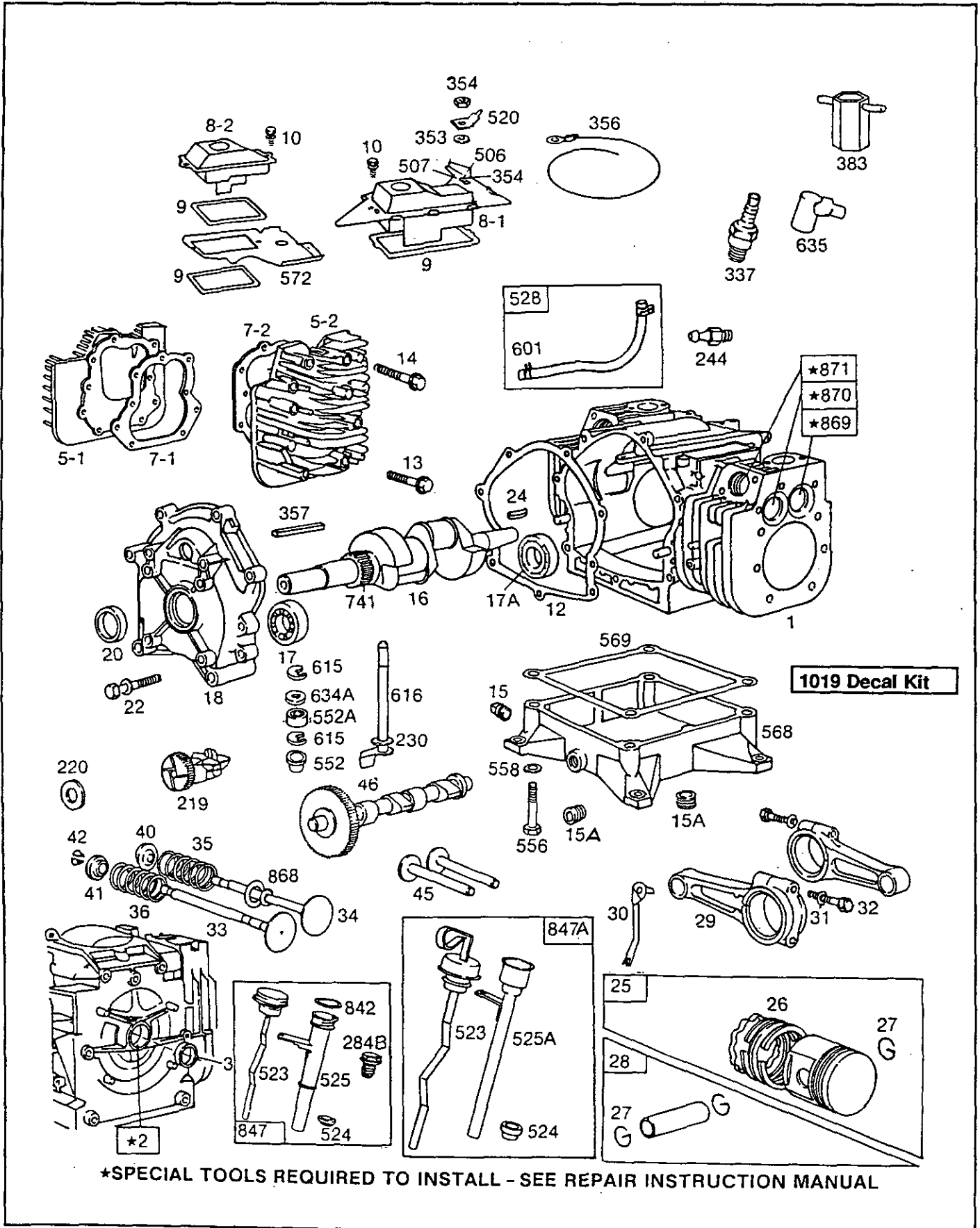
- A. Refer to Engine Model, Type and Code Number that is stamped on the blower housing of engine. Engine type numbers such as 012301 are listed herein only as 0123. The two digits (01 or 02, etc.) to the right of the space are not needed for parts identification. Then use the Illustrated Parts List covering the Model Series.
- B. Refer to Illustrated Parts section and compare the old part with illustration. The number on the illustration is the Reference Number. Assemblies include all parts shown in frames. All parts shown in assembly frames on which individual reference numbers are given can be purchased separately.
- C. After the Reference Number has been identified, refer to the Numerical Parts List, where Reference and Master Part Number are listed. **THE MASTER PART IS USED ON ALL TYPE NUMBERS EXCEPT THOSE TYPE NUMBERS UNDER "NOTE".**
- D. If a "Note" appears below the Master Part Number, this means that this part differs from the Master Part for certain types. If the Type number is listed under "Note", order the part referred to.
- E. If the Engine Type Number does not appear after any part number listed under "Note", use the Master Part Number.
- F. For Type Numbers higher than those covered by this book, please refer to the factory if you are unable to identify the part by comparison.

PRINTED IN U.S.A.



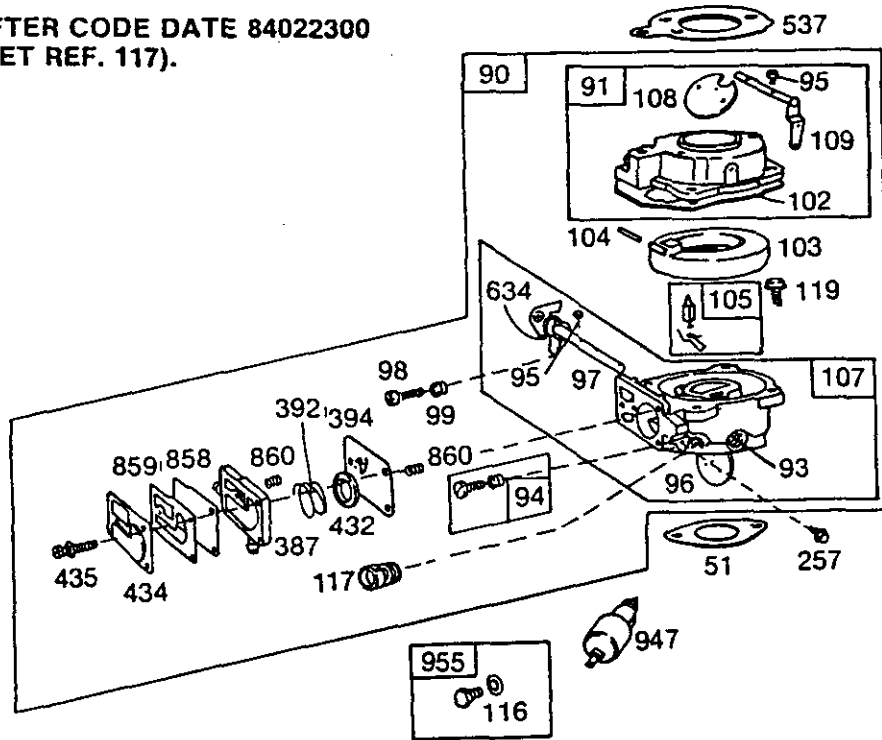
COPYRIGHT ©

# 402400 to 402499

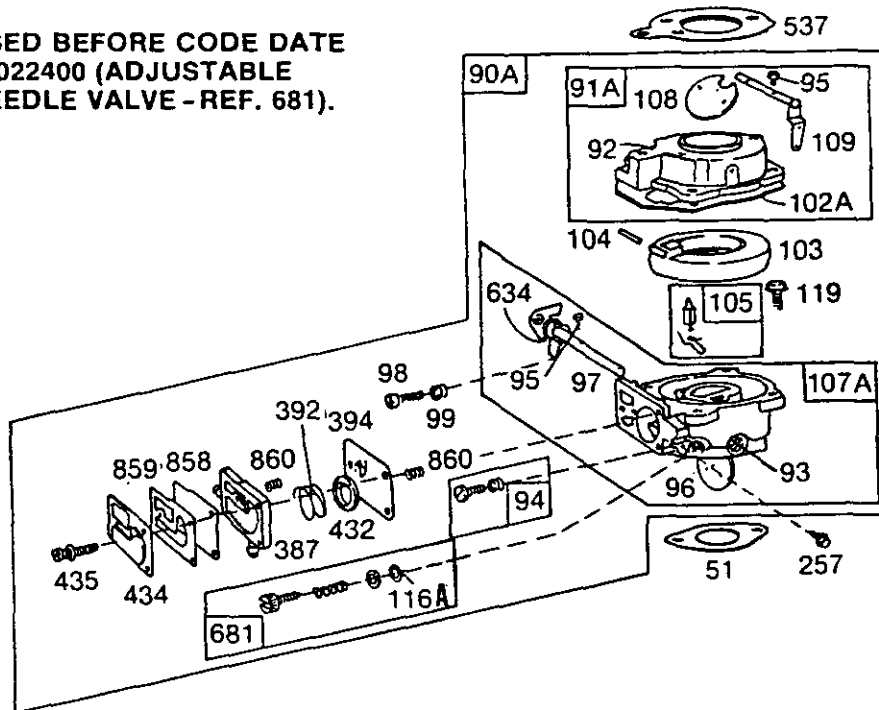


**\*SPECIAL TOOLS REQUIRED TO INSTALL - SEE REPAIR INSTRUCTION MANUAL**

USED AFTER CODE DATE 84022300  
(FIXED JET REF. 117).

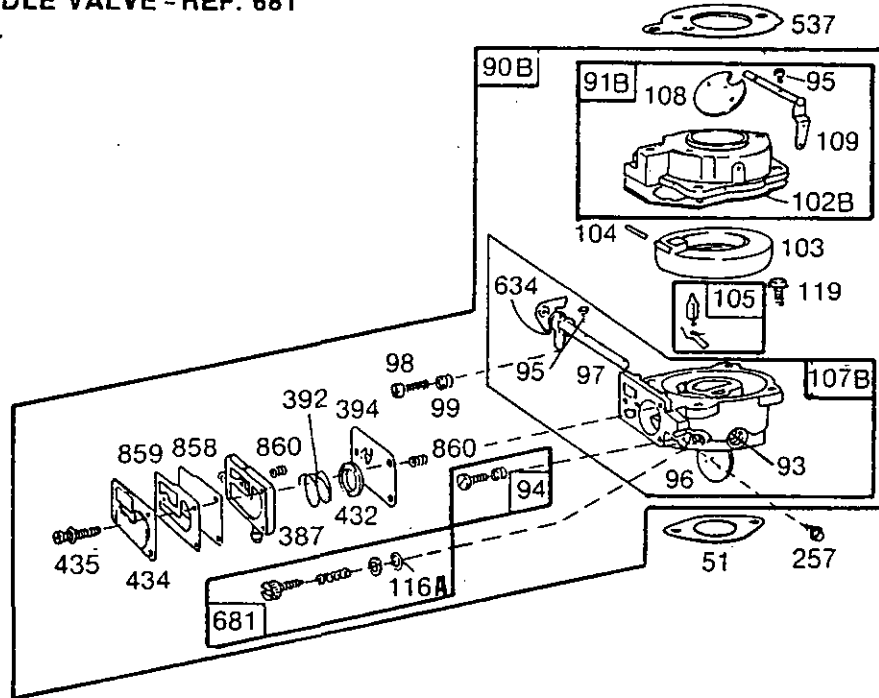


USED BEFORE CODE DATE  
84022400 (ADJUSTABLE  
NEEDLE VALVE - REF. 681).

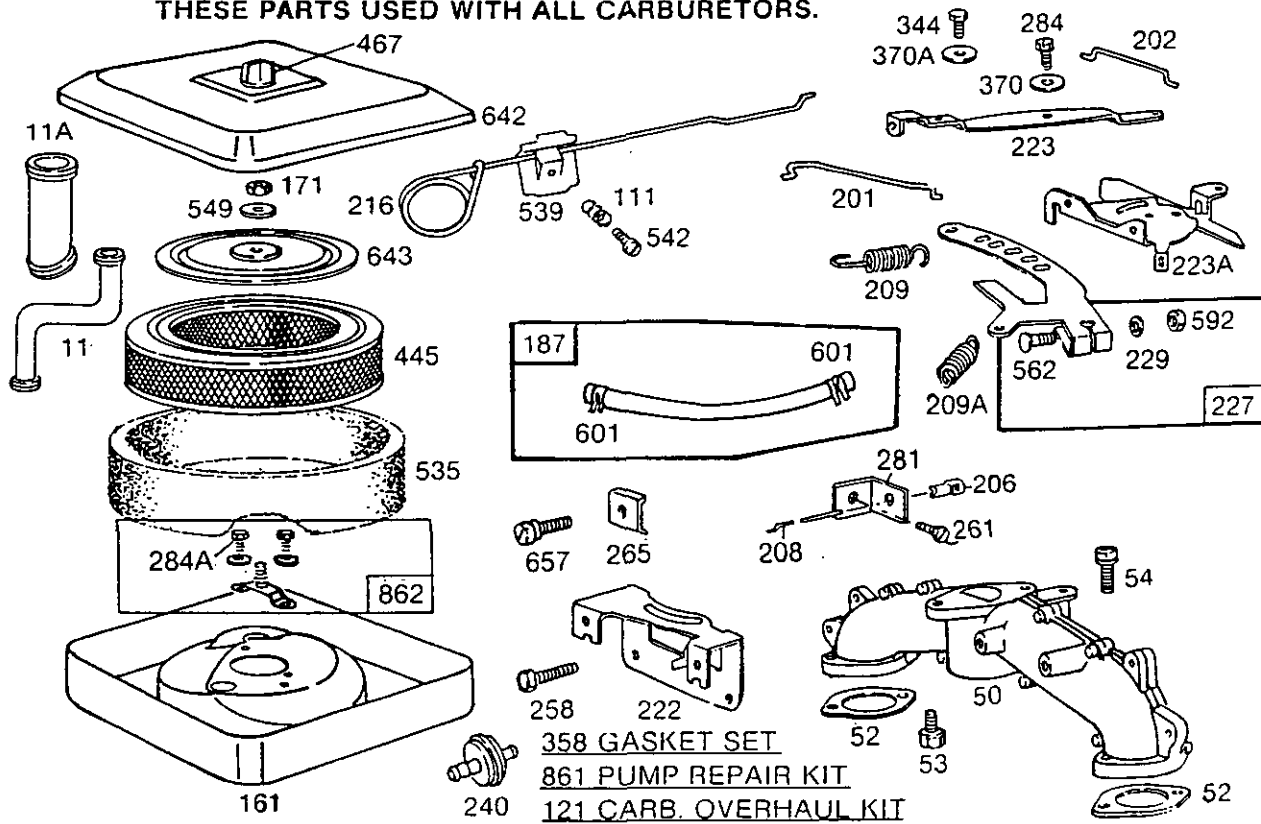


# 402400 to 402499

## ADJUSTABLE NEEDLE VALVE - REF. 681 (SMALL VENTURI).



### THESE PARTS USED WITH ALL CARBURETORS.



USE ON TYPES  
BELOW 0500

345 346 451  
639  
590 343  
339  
722  
340 342 654

SCREW 664A 500  
NUT 561

189 478 527  
575 578  
840 826 795A

333

319  
897 851 334

726  
78 74 324 586 23  
332 75 455 85 189 321  
468 363 823 727

USE ON TYPES  
BELOW 0500

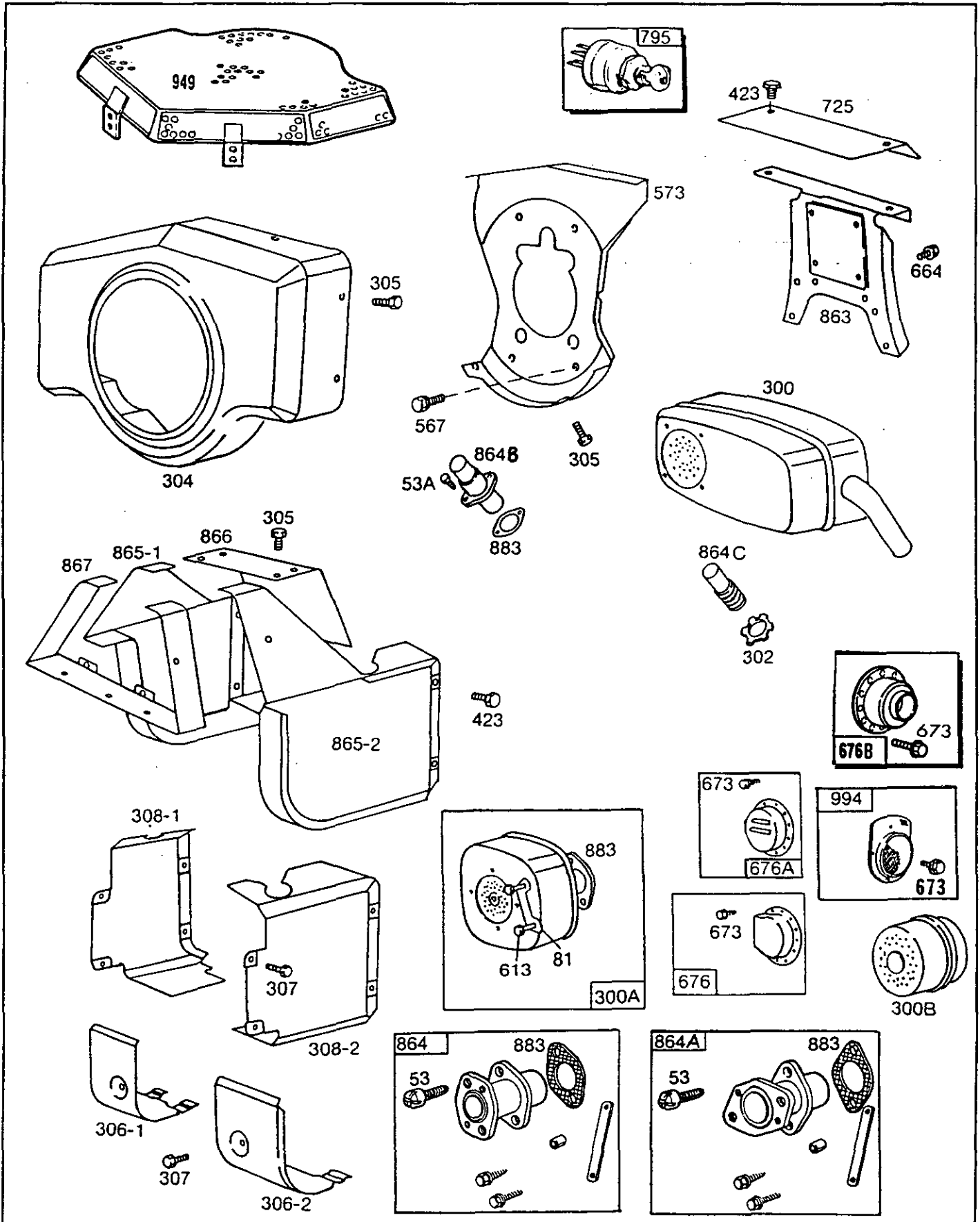
333A  
851 334

526 878A  
501  
605  
186 198 199

242 244 241  
243  
245  
246  
240A 247

180



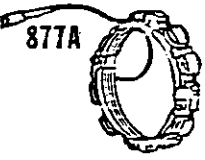



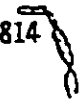


# 402400 to 402499



7638-5

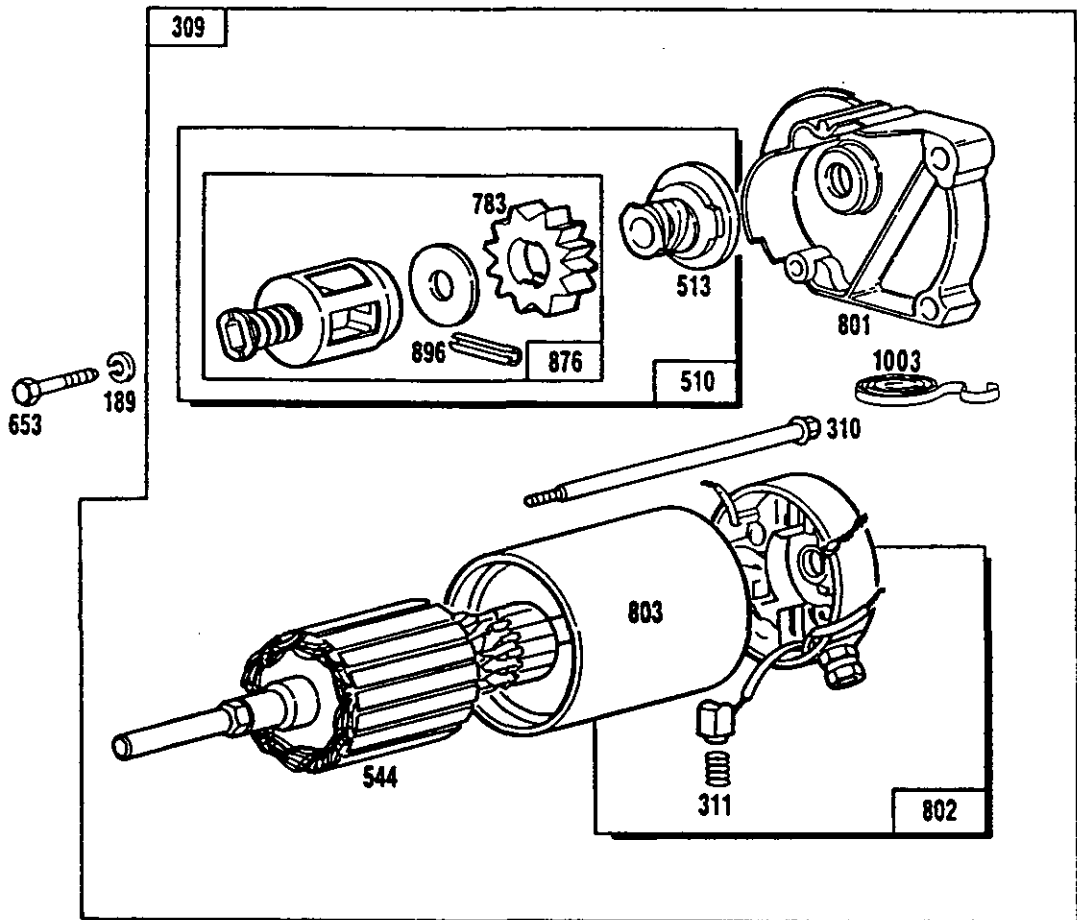
Assemblies include all parts shown in frames.

57

DC ONLY	DUAL CIRCUIT	TRI-CIRCUIT	16 AMP
23	23	23	NOTE under 23
887 	474 	474A 	474B 
			
			501 

NOTE ; All stators use No. 482 Mtg. Screw

# 402400 to 402499



Subject		Ref. No. 309	Ref. No. 310	Ref. No. 311	Ref. No. 801	Ref. No. 802	Ref. No. 803	Ref. No. 544	Ref. No. 1003
Starter Motor Mfr.		Motor and Drive Assy.	Thru Bolt	Brush Assembly	End Cap Assy. Drive	End Cap Assy. Commutator	Housing Assembly	Armature Assembly	Brush Spring
Briggs & Stratton	Housing Length								
†12V	3"	393017	93887	391705	393009	394674	**	390837	
12V	3-5/8"	394808	94003	395538	394860	††395537	393825	390837	
12V	4-1/2"	399928	94169	490311	394860	490310	399172	490309	490316

Subject	Ref. No. 513	Ref. No. 783	Ref. No. 876	Ref. No. 896	Ref. No. 510
Starter Motor Mfr.	Clutch Assembly	Gear	Pinion Spring Kit	Roll Pin	Starter Drive Drive Group
Briggs & Stratton					
12V	391135	280104	393254	93754	396865

**NOTE:** Style Identification of 12 volt motors.

**NEW STYLE:** Thru bolt heads are located on the drive end head.

†**OLD STYLE:** Brush end head is 13/16" wide.

††See Text — Ref. 309 for Specials.

\*\*Part not available. Use 394808 Motor Drive Assembly.





# 402400 to 402499

REF. NO.	PART NO.	DESCRIPTION	REF. NO.	PART NO.	DESCRIPTION	REF. NO.	PART NO.	DESCRIPTION
34	261528	Valve—Intake <b>Uses:</b> 393606 Seal Assy. and Retainer (Ref. No. 868)		<b>Note:</b> 393843	Bushing—Throttle Shaft Used on Type Nos. 0134, 0634, 0693.	117	231338	Jet—Needle Valve <b>Note:</b> 231333 Jet-Needle (High—Altitude) 231339 Jet—Needle Valve Used on Type Nos. 0706, 0712, 0721.
35	65906	Spring—Intake Valve	94	†292681	Valve Assembly—Carburetor Idle			
36	26828	Spring—Exhaust Valve	95	93499	Screw—Throttle and Choke Valve Mtg. Sem			
40	221596	Retainer—Intake Valve	96	221939	Valve—Throttle <b>Note:</b> 222433	119	94152	Screw—Hex. Hd. Sem—10/32 x 3/4"
41	292260	Roto-Cap—Exhaust Valve			Throttle Used on Type No. 0693.	121	394502	Carburetor Overhaul Kit
42	93630	Retainer—Exhaust Valve Roto-Cap (2)				161	222752	Body—Air Cleaner
45	261368	Tappet—Valve	97	392672	Shaft and Lever—Throttle <b>Note:</b> 393469	171	93715	Nut—Hex.
46	212337	Gear—Cam <b>Note:</b> 212415			Shaft and Lever—Throttle Used on Type Nos. 0134, 0634, 0693.	180	292415	Tank Assembly—Fuel (8 Quart) <b>Uses:</b> 69221 Cap—Fuel Tank 293934 Valve—Fuel Shut-Off 297563 Outlet—Fuel Tank 291490 Strap Assy.—Fuel Tank <b>Includes:</b> 91257 Screw—Machine Fill. Hd. 90970 Nut—Square—1/4-20 Used on Type No. 0671. <b>Note:</b> 291488 Tank Assy.—Fuel (6 Quart) <b>Uses:</b> 392305 Cap—Fuel Tank 222827 Bracket—Fuel Tank 291490 Strap Assy.—Fuel Tank <b>Includes:</b> 91257 Screw—Machine Fill. HD. 90970 Nut—Square—1/4-20 Used on Type No. 0709.
50	393349	Manifold Assy.—Intake	98	91920	Screw—Machine, Fil. Hd.—8-32 x 5/8"			
51	†*271412	Gasket—Carb. Mtg.	99	26157	Spring—Throttle Adjustment			
52	*270884	Gasket—Intake Manifold Mtg.	102	†271607	Gasket—Carburetor Body			
53	93414	Screw—Carburetor Mtg. Sem	102A	†271008	Gasket—Carburetor Body			
53A	93415	Screw—Hex. Hd. Sem	102B	†271256	Gasket—Carburetor Body Used on Type Nos. 0134, 0634, 0693.			
54	93208	Screw—Intake Manifold Mtg. Sem	103	298514	Float—Carburetor			
74	93808	Screw—Sem	104	†230896	Pin—Float Hinge			
75	222511	Washer—Spring	105	†394681	Valve—Fuel Inlet			
78	93805	Screw—Sem	107	399623	Body—Lower Carburetor (Used after Code Date 85082500.) 397270 Body—Lower Carburetor (Used before Code Date 85082600.) <b>Note:</b> 398619			
81	223016	Lock—Muffler Screw			Body—Lower Carburetor Used on Type No. 0712.			
85	92674	Screw—Hex. Hd.	107A	394352	Body—Lower Carburetor	186	67218	Connector—Fuel Pipe
90	397245	Carburetor Assembly <b>Note:</b> 398620	107B	394372	Body—Lower Carburetor Used on Type Nos. 0134, 0634, 0693.	187	299146	Line—Fuel (28") Cut to required length.
		Carburetor Assy. Used on Type No. 0712.	108	223534	Valve—Choke (Used after Code Date 85082500.) <b>Note:</b> 222010	189	90366	Lockwasher
90A	394338	Carburetor Assembly (Remote Choke)			Valve—Choke (Used before Code Date 85082600.)	198	293934	Valve—Fuel Shut-Off
90B	394368	Carburetor Assembly Used on Type Nos. 0134, 0634, 0693.				199	297563	Outlet—Fuel Tank
91	399535	Body Assembly—Upper Carburetor (Used after Code Date 85082500.) <b>Note:</b> 397241				201	261444	Link—Governor
		Body Assy.—Upper Carburetor (Used before Code Date 85082600.)				202	261531	Link—Speed Control
91A	393297	Body Assembly—Upper Carburetor				206	21772	Nut—Governor Adjusting
91B	394376	Body Assembly—Upper Carburetor Used on Type Nos. 0134, 0634, 0693.				208	231225	Rod—Speed Control
92	394505	Body—Upper Carb.	109	392673	Shaft and Lever—Choke	209	261720	Spring—Governor
93	231209	Bushing—Throttle Shaft				209A	261563	Spring—Governed Idle <b>Note:</b> 261578
			111	26155	Spring—Choke			Spring—Governed Idle Used on Type No. 0693.
			116	280474	O-Ring			
			116A	†65978	Packing—Needle Valve			

\*Included in Gasket Set—Part No. 394501.

†Included in Carburetor Overhaul Kit—Part No. 394502.

# 402400 to 402499

REF. NO.	PART NO.	DESCRIPTION	REF. NO.	PART NO.	DESCRIPTION	REF. NO.	PART NO.	DESCRIPTION
216	261511	Rod—Manual Choke	307	93163	Screw—Sem			<b>Note:</b> For Conversion to MAGNETRON® Ignition Order Part No. 394891.
219	394348	Gear—Governor	308-1	222848	Cover—Air Guide	340	26018	Spring—Breaker Arm
220	222773	Washer—Thrust	308-2	222849	Cover—Air Guide	342	393598	Plunger—Breaker Point
222	222807	Bracket—Speed Control	309		Motor—Starting	343	392912	Condenser
223	222828	Lever—Speed Control			See Chart on Page 8 for Starter Motor Parts.	344	93042	Screw—Hex. Hd. Sem
223A	394324	Plate Assembly—Governor Control	319	394988	Armature Assembly	345	212259	Cover—Breaker Point
227	393846	Lever Assy.—Governor	321	212277	Fan—Booster	346	93854	Screw—Sem
229	222289	Washer			<b>Note:</b> 212370 Fan—Booster Used on Type Nos. 0015, 0016, 0110, 0131, 0132, 0133, 0136, 0137, 0138, 0515, 0516, 0631, 0632, 0633, 0636, 0637, 0667, 0669, 0670, 0672, 0673, 0682, 0683, 0684, 0686, 0699, 0704, 0707, 0709, 1010, 1011, 1014, 1018.	353	92791	Washer—Lock—Shakeproof
230	220863	Washer—Gov. Crank (Inside)			212418 Fan—Booster Used on Type Nos. 0139, 0660, 0661, 0666, 0676, 0680, 0687, 0689, 0695, 0696, 0698, 0700, 0705, 0706, 0710, 0712.	354	90576	Nut—Hex.—8-32
240	394358	Filter—Fuel (In Fuel Pipe)	324	222872	Screen—Rotating	356	398808	Wire—Ground
240A	295984	Filter Assy.—Fuel			<b>Note:</b> 223008 Screen—Rotating Used on Type Nos. 0139, 0660, 0661, 0666, 0676, 0680, 0687, 0689, 0695, 0696, 0698, 0700, 0705, 0706, 0710, 0712.			<b>Note:</b> 393035 Wire—Ground Used below Type No. 0500.
241	296005	Cover Assy.—Fuel				357	91540	Key—Pulley
242	295913	Valve—Fuel Shut-Off				358	394501	Gasket Set
243	22547	Screen—Fuel Filter				363	19203	Puller—Flywheel (Optional Accessory)
244	230318	Connector—Fuel Pipe				370	231172	Bushing—Speed Control
		<b>Note:</b> 91488 Plug—Fuel Pump Hole Used on Type No. 0712.				370A	66432	Washer—Plain
245	68477	Gasket—Fuel Filter Bowl				383	89838	Wrench—Spark Plug
246	298683	Bowl—Fuel Filter				387	280197	Body—Pump
247	99665	Yoke—Fuel Filter				392	‡261395	Spring—Pump
257	93897	Screw—Casing Clamp				394	‡270988	Diaphragm
258	93163	Screw—Sem (For Cast Iron Manifold)				423	93343	Screw—Hex Head
		<b>Note:</b> 93868 Screw—Sem (For Aluminum Manifold)				432	‡211377	Cap—Spring
261	93496	Screw—Hex.				434	223688	Cover—Diaphragm (Used After Code Date 85121500.)
265	221535	Clamp—Casing						<b>Note:</b> 222615 Cover—Diaphragm (Used Before Code Date 85121600.)
281	223247	Bracket—Idle Control				435	93829	Screw—Diaphragm Cover
284	93828	Screw—Sem				445	394018	Cartridge—Air Cleaner
284A	93893	Screw—Sem				451	271037	Washer—Breaker Box
284B	93886	Screw—Hex. Hd.				455	222674	Cup—Screen Mounting
300	394200	Muffler—Exhaust				467	212706	Knob—Air Cleaner
		<b>Note:</b> 392101 Muffler—Exhaust Used on Type No. 0682.				468	222673	Screen—Flush Rotating
300A	394237	Muffler—Exhaust				474	393474	Stator—Alternator (Dual Circuit)
300B	392989	Muffler—Exhaust				474A	392595	Stator—Alternator (Tri-Circuit)
302	261409	Locknut—Muffler				474B	393295	Stator—Alternator
304	396088	Housing—Blower				478	223106	Bracket—Starter
			332	230674	Nut—Hex.	482	93621	Screw—Sem
					<b>Note:</b> 231247 Nut—Jam Used on Type Nos. 0139, 0660, 0661, 0666, 0676, 0680, 0687, 0689, 0695, 0696, 0698, 0700, 0705, 0706, 0710, 0712.	500	91325	Washer
305	93158	Screw—Sem				501	394890	Regulator Alternator (D.C.)
306-1	222846	Shield—Cylinder				506	231174	Terminal
			333	394891	Armature Group—(MAGNETRON® Ignition)	507	280180	Grommet—Insulator
			333A	392329	Armature Assembly	518	69932	Rope—Starter
			334	93381	Screw—Armature Mtg. Sem			
306-2	222847	Shield—Cylinder						
		<b>Note:</b> 223734 Shield—Cylinder Used on Type Nos. 0682, 0704, 0709, 0713, 0714, 1016.						
			337	394539	Plug—Spark (2-3/8" High—60 M.M.) (Resistor)			
			339	393403	Breaker Assy.—Ignition			

\*Included in Gasket Set—Part No. 394501.

†Included in Carburetor Overhaul Kit—Part No. 394502.

# 402400 to 402499

REF. NO.	PART NO.	DESCRIPTION	REF. NO.	PART NO.	DESCRIPTION	REF. NO.	PART NO.	DESCRIPTION	
520	93722	Terminal—Spade	654	230783	Nut—Contact Point	865-1	392991	Cover Assy.—Air Guide (Cylinder #1)	
523	398924	Cap and Dipstick—Oil Filler	655	222598	Anchor—Spring	865-2	392992	Cover Assy.—Air Guide (Cylinder #2)	
523A	394014	Cap and Dipstick—Oil Filler	657	93496	Screw—Sem	<b>Note:</b> 399931		Cover Assy.—Air Guide (Cylinder #2)	
524	68838	Seal—Filler Tube	664	93343	Screw—Sem			Air Guide (Cylinder #2)	
525	280220	Tube—Oil Filler	664A	93415	Screw—Hex. Hd.			Used on Type Nos.	
525A	392782	Tube—Oil Filler	673	93705	Screw—Hex. Hd.—#8/32 x 3/8			0611, 0666, 0670,	
526	93559	Screw—Regulator	676	393761	Deflector—Muffler (Side Outlet)			0678, 0686, 0688,	
527	220509	Clip—Wire	676A	397630	Deflector—Muffler (Louvered Outlet)			0689, 0692, 0694,	
528	393244	Line—Fuel (Impulse)	676B	396903	Deflector—Exhaust (Direct Outlet)			0698, 0703, 0705,	
535	271271	Element—Air Cleaner	681	†394033	Valve Assy.—Needle	866	393025	Rear Insert Assembly (Air Guide)	
537	†*271411	Gasket—Air Cleaner	722	280222	Seal—Plunger	867	222775	Frame—Air Guide	
539	221372	Clip—Control Rod	725	222981	Shield—Heat	868	393606	Seal Assembly and Retainer	
542	90746	Screw—Fil. Hd.	726	391362	Gear—Flywheel Ring (Including Mounting Parts)	869	261463	Seat—Intake Valve (Standard)	
549	271180	Washer	727	222987	Guard—Ring Gear	870	210940	Seat—Exhaust Valve (Standard)	
552	261559	Lower Bushing—Governor	741	262221	Gear—Timing (Used with Key)	871	261961	Guide—Exhaust Valve	
552A	261560	Upper Bushing—Governor	<b>Note:</b> 231321		Gear—Timing (Used with Pin)	<b>Note:</b> 231218		Guide—Intake Valve	
556	93783	Screw—Hex. Hd.	795	490066	Switch Assembly—Key			See Repair Manual	
558	92268	Washer	795A	392697	Switch—Ignition (Toggle)	877	393456	Diode and Connector Assy. (Dual Circuit)	
561	92278	Nut—Hex.			93888	Nut—Hex.	877A	393537	Connector Assy. (Tri-Circuit)
562	93853	Bolt—Governor Lever	814	392606	Diode and Connector Assembly—Alternator (Tri-Circuit)	877B	393814	Diode and Connector Assembly (D.C.)	
567	93777	Screw—Hex. Hd. (Back Plate to Cyl.)	823	93535	Screw—Sem	878	393362	Alternator Harness Assy.	
568	394391	Base—Engine	826	394667	Wire Assy.—Starter Switch to Ground Wire Terminal	878A	393422	Alternator Harness Assy.	
569	*270981	Gasket—Engine Base	840	394583	Panel Assy.—Starter	883	271174	Gasket—Exhaust	
572	222700	Guide—Air	842	271170	Seal—Tube	887	391529	Stator Assembly Alternator (D.C.)	
573	392934	Back Plate Assy.	847	398990	Dipstick and Tube Assy.	897	394970	Trigger Coil Assembly—MAGNETRON® Ignition	
575	299139	Switch—Starting	847A	394023	Dipstick and Tube Assy.	947	397266	Solenoid	
578	394518	Wire Assembly	851	221798	Terminal—Ignition Cable	949	393330	Cover—Static Guard	
586	22906	Lock—Flywheel Nut	858	‡270989	Diaphragm—Damping	955	397882	Plug and Seal—Solenoid	
590	93171	Screw—Sem	859	‡271025	Gasket—Carb. Pump	994	392390	Spark Arrester	
592	92278	Nut—Hex.—10-24	860	‡261358	Spring (2)	1019	491261	Decal Kit	
601	93053	Clamp—Fuel Pipe	861	393397	Repair Kit—Pump				
605	222959	Bracket—Regulator (Used before Code No. 83052700.)	862	392643	Mounting Strap Assy.—Air Cleaner				
608	392677	Starter Assy.—Rewind	863	222776	Bracket—Muffler				
613	93927	Screw—Muffler Mtg.	864	490358	Adaptor Assy.—Muffler				
615	93851	Retainer—E-Ring	864A	490357	Adapter Assy.—Muffler				
616	394396	Crank—Governor	864B	393483	Adapter Assy.—Muffler				
634	†271013	Washer (Throttle Shaft)	864C	231162	Connector—Muffler				
634A	271316	Foam Seal—Gov. Shaft							
635	66538	Elbow—Spark Plug							
639	*271039	Gasket—Breaker Box							
642	223001	Cover—Air Cleaner							
643	222835	Cartridge Plate—Air Cleaner							
653	91162	Screw—Hex. Hd.—5/16-18 x 1-1/2"							

\*Included in Gasket Set—Part No. 394501.

†Included in Carburetor Overhaul Kit—Part No. 394502.