

KAM Aero Extra 300

Fuselage Foam Sheeting - You'll need:

- 1/16" x 4 x 48" A grain balsa sheeting - used on stabs, fin / rudder, turtle-deck, front and rear bottom decks, and upper forward deck / hatch.
- 1/16" x 4 x 48" C grain balsa sheeting - used on wings (marked as wing sheeting).
- Foam cores and shucks.

The included diagrams are guides for your skin layouts - **PLEASE MEASURE TWICE AND VERIFY YOUR SKINS WILL FIT THE FOAM CORE BEFORE CUTTING AND GLUING!** **Note: There are two possible sheeting layouts for some of the foam parts. This is due to minor sheeting width differences after the sheeting packs have been jointer edge trued. The layout diagrams and measurements listed below are for the 125.5" Extra 300.**

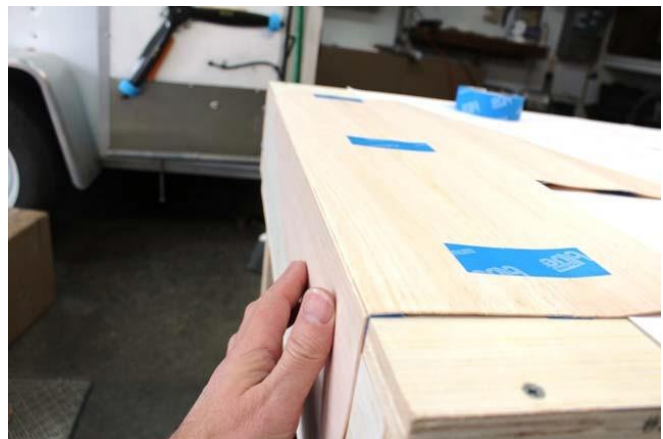
It is recommended that you glue the balsa skins to the foam cores using a high-quality laminating epoxy resin such as West Systems. You can use either a vacuum bagging system or weights. Use an old credit card, key card, or an epoxy roller to spread the glue on the skins. You should leave enough glue to have a glossy sheen on the wood surface. Adding a couple drops of dye to the epoxy can help you identify dry and thick spots of glue.



Use a small squeeze bottle to apply a thin bead of glue to one edge. Fold the joint closed, clean any excess glue, tape across the seam and weight the skin flat until the glue is cured.

Forward Deck / Hatch:

- Locate the upper forward deck hatch foam core. Using 2 sheets of the A grain balsa, make 5 10" lengths and edge glue with aliphatic resin (wood glue).

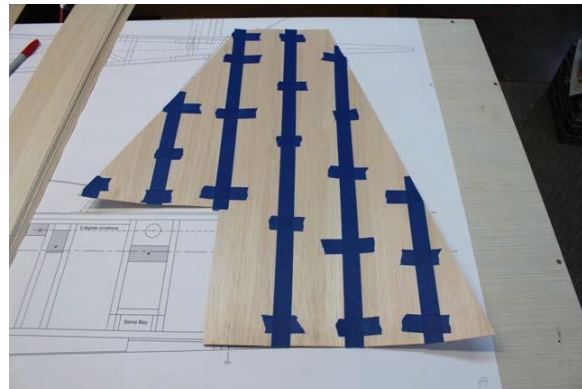
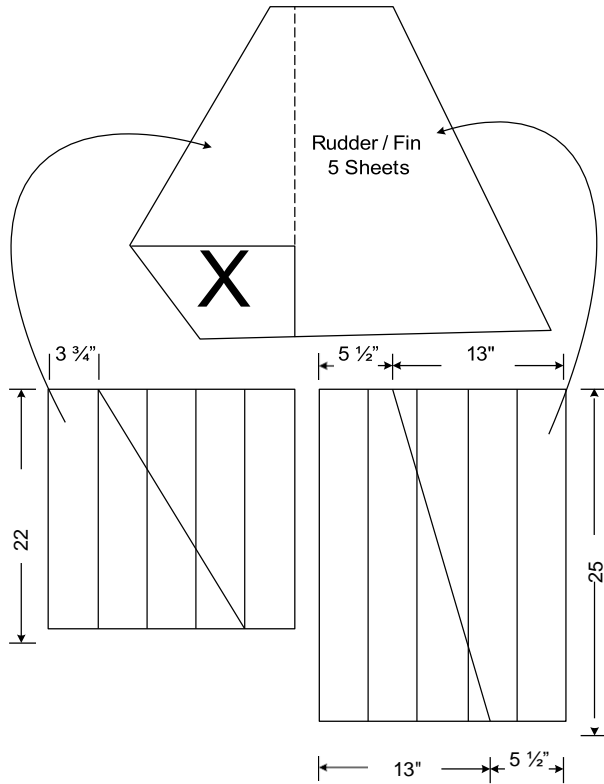


KAM Aero

Queen Creek, Arizona 85142, United States
[775-434-3538](tel:775-434-3538) KAMAero300@gmail.com

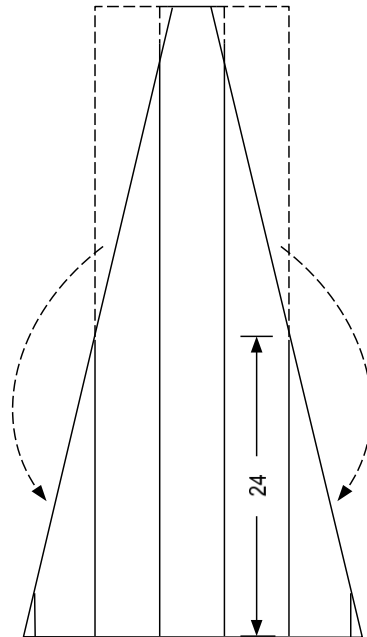
Rudder / Fin Assembly:

- Use 2 1/2 pieces of A grain 48" sheeting per side (5 total).
- Cut two (2) 25 1/2" lengths for each side. Use remaining lengths to complete rudder / skin layout as pictured in the diagram.



Turtle Deck Sheeting Layout:

- Use three 48" x 4" x 1/16" pieces of A grain sheeting.
- Cut and edge glue as the diagram indicates.



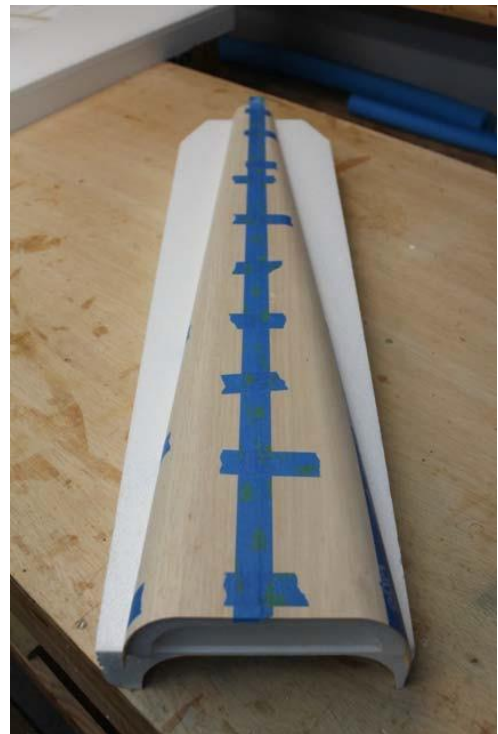
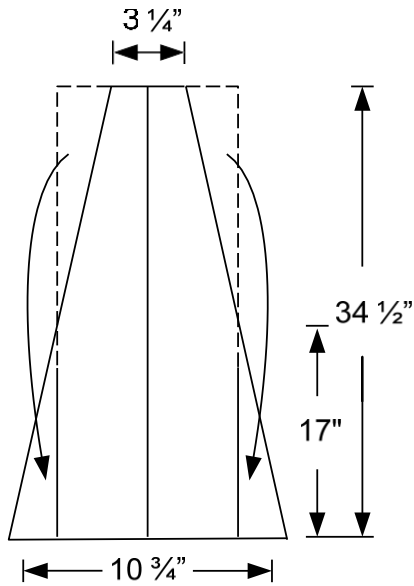
KAM Aero

Queen Creek, Arizona 85142, United States

[775-434-3538](tel:775-434-3538) KAMAero300@gmail.com

Bottom Deck - Front and Rear:

- Rear - Use two pieces of 1/16" A grain balsa cut to 34 1/2"

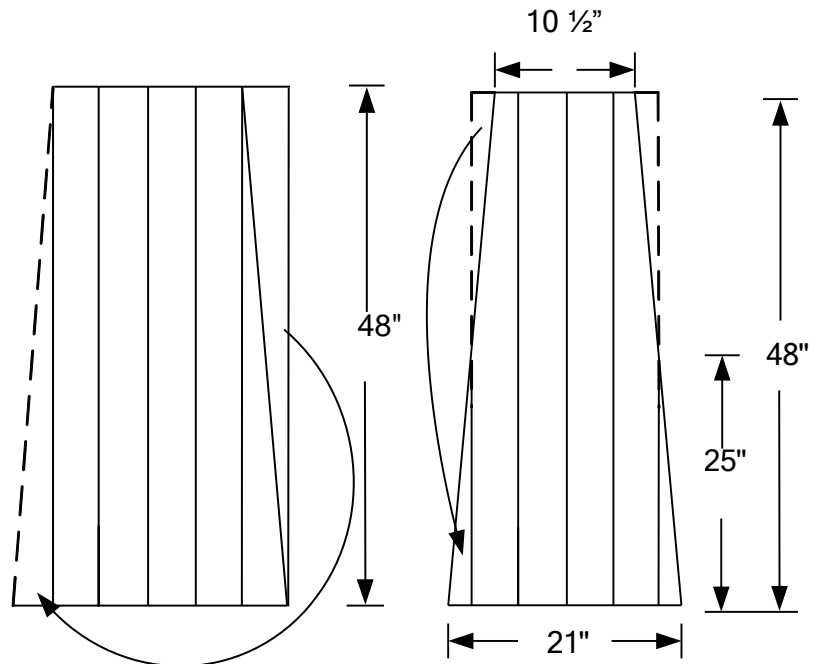


- Front - Use 5 (or 4 if using alt layout) 48" pieces of A grain balsa sheeting.



Standard layout: 5 sheets.

Wood saving layout: 4 sheets.



Note: Wing and stab sheeting will be covered in a separate log that also includes servo box / rail installation, and socket installation.

KAM Aero

Queen Creek, Arizona 85142, United States

[775-434-3538](tel:775-434-3538) KAMAero300@gmail.com